

**Pioneer** *sound.vision.soul*

Operating Instructions | Mode d'emploi |  
Manual de instrucciones | 操作手冊

Speaker System  
Enceinte acoustique  
Sistema de parlante  
揚聲器系統

S-LX 70<sub>C</sub>

Thank you for buying this Pioneer product. Please read through these operating instructions so you will know how to operate your model properly. After you have finished reading the instructions, put them away in a safe place for future reference.

---

## Before you start

- The nominal impedance of this speaker system is 6  $\Omega$ . Connect the speaker system to an amplifier with a load impedance of 6  $\Omega$  (a model with "6  $\Omega$ " displayed on the speaker output terminals).

In order to prevent damage to the speaker system resulting from input overload, please observe the following precautions:

- Do not supply power to the speaker system in excess of the maximum permissible input.
- When using a graphic equalizer to emphasize loud sounds in the high-frequency range, do not use excessive amplifier volume.
- Do not try to force a low-powered amplifier to produce loud volumes of sound (the amplifier's harmonic distortion will be increased, and you may damage the speaker).

### Care of the speaker cabinets

- With normal use, wiping with a soft cloth should be sufficient to keep the cabinet clean. If necessary, clean with a cloth dipped in a neutral cleanser diluted five or six times with water, and wrung out well. Do not use furniture wax or cleansers. Never use alcohol, thinners, benzine, insecticide sprays or other chemicals on or near this unit since these will corrode the surfaces. When using chemically-treated cloths, be sure to carefully read their accompanying instruction manual.

### Cleaning the glossy finish of the speaker system

- When cleaning the finish of the speaker system, gently wipe it with a dry soft cloth; the supplied cleaning cloth.
- If you use a dusty or hard cloth or if you rub the screen hard, the finish of the product will be scratched.
- If you clean the surface of the speaker system with a wet cloth, water droplets on the surface may enter into the product, resulting in malfunction.

---

## Caution

### Installation

- Do not place the speaker on an unstable surface, as doing so may cause the speaker to fall and cause damage or bodily injury.
- Switch off and unplug your AV equipment and consult the instructions when connecting up components. Make sure you use the correct connecting cables.
- When placing this unit, avoid areas where it may be likely to fall and cause injury in the event of a natural disaster (such as an earthquake). For more information, see page 5.
- Pioneer is not responsible for any accidents or damage that result from improper installation, misuse or modification of the product, or natural disasters.

### Using the speakers

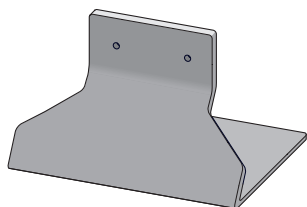
- Do not use the speaker to output distorted sound for long periods of time. This can result in damages to the speaker and poses a potential fire hazard.
- Do not sit or stand on the speaker, or let children play on the speaker. Doing so could provoke the speaker to fall, causing damages or bodily injury.

### CAUTION

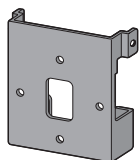
These speaker terminals carry **HAZARDOUS LIVE voltage**. To prevent the risk of electric shock when connecting or disconnecting the speaker cables, disconnect the power cord before touching any uninsulated parts.

## Confirm your accessories

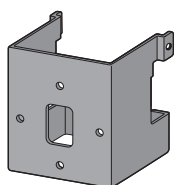
- Speaker stand x 1



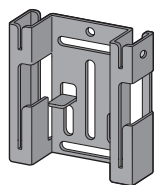
- Bracket (for speaker/S) x 1



- Bracket (for speaker/L) x 1



- Bracket (for wall) x 1



- Screw (long) x 4



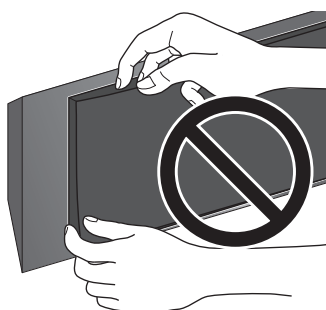
- Screw (short) x 2



- Non-skid pad x 1 (set)
- Gasket (for speaker stand) x 1
- Self-adhering fastener (hook) x 2
- Self-adhering fastener (loop) x 2
- Cleaning cloth x 1
- Wall mounting template x 1
- Operating instructions

## Speaker system grill

The speaker system grill cannot be removed. Do not try to forcibly remove it since doing so may damage the grille.



## Installing the speaker

This speaker system cannot be placed directly on the surface of floors or shelves. Always attach to a wall using the supplied brackets, or place on a flat and secure surface using the supplied speaker stand.

- This speaker system is magnetically shielded. However, depending on the installation location, color distortion may occur if the speaker system is installed extremely close to the screen of a television set. If this happens, turn the power switch of the television set OFF, and turn it ON after 15 to 30 minutes. If the problem persists, place the speaker system away from the television set.

### Mounting on walls

- Make sure that the wall you intend to mount the speaker on is strong enough to support it.
- Remember that the speaker system is heavy. Improper installation of the speaker could cause it to fall and cause damage or injuries to persons nearby.
- Mounting screws are not supplied. Use screws suitable for the wall material and support the weight of the speaker.

*If you are unsure of the qualities and strength of the walls, consult a professional for advice.*

Once decided on the location of installation (such as the wall space above or below of the TV), attach the speaker following the next procedures.

Two types of brackets (for speaker) are supplied. When using alongside with a Pioneer plasma television, use the L-type bracket. When attaching flush against the wall, use the S-type bracket.

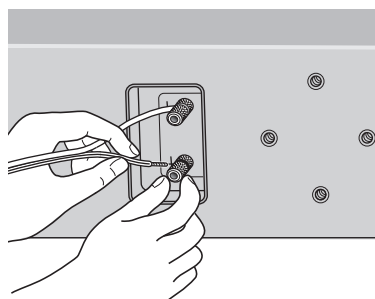
#### 1 Connect speaker cable.

- Speaker cable is not included with this speaker system.

This speaker does not include speaker cables used for connecting to an amplifier. Take the following factors into consideration when choosing speaker cables so that you can get the most from your speaker system:

- Use heavy-gauge speaker cable if possible, and keep the cables to the minimum necessary length.
- Cables have differing characteristics. Keep this in mind when using any cable.
- Connections at speaker and amplifier terminals should be made as tight and secure as possible to help reduce contact resistance.

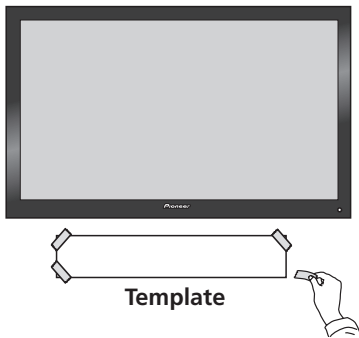
When mounting the speaker onto wall using the bracket, connect the speaker cable before attaching speaker onto the bracket.



- If the cables' wires happen to be pushed out of the terminals, allowing the wires to come into contact with each other, it places an excessive additional load on the amp. This may cause the amp to stop functioning, and may even damage the amp.
- After connecting the plugs, pull lightly on the cables to make sure that the ends of the cables are securely connected to the terminals. Poor connections can create noise and interruptions in the sound.
- Be sure to connect wires to the correct terminal polarities (+, -) at the speaker and amplifier, or the proper surround effect will not be produced.

## 2 Paste the supplied wall mounting template on the area of installation.

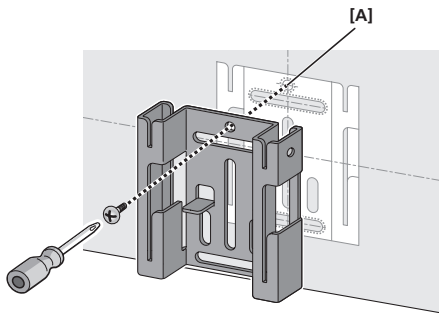
Attach the template level to the ground using an adhesive such as tape. Make sure the template is straight to avoid mounting the speaker crookedly. Pasting the template too close to the TV may cause the TV to get in the way of the speaker when installing. Make sure the template and TV do not overlap.



## 3 Temporarily attach the bracket (for wall) to the specified location on the template.

Align the bracket (for wall) to the specified location on the template, and temporarily attach with a screw (6 mm diameter screw recommended) at location [A].

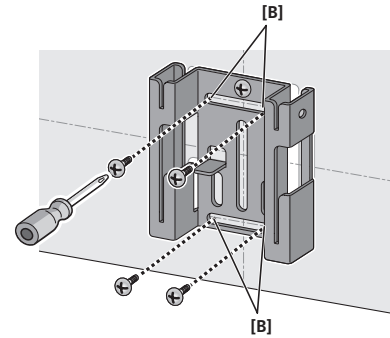
Adjust the attachment position of the bracket so that it is aligned with the template.



## 4 Attach the bracket (for wall).

Attach bracket with screws (6 mm diameter screws recommended) at the 4 locations [B] (recommended). Firmly tighten the screw [A] that was used to temporarily attach the bracket to the wall as well. To avoid speaker from wobbling or falling off, firmly attach bracket at multiple locations.

- Afterwards, remove the template by tearing along the perforations.
- The following illustration is an example of attaching the bracket with screws at five locations: Screw location [A] and the 4 corners of screw location [B] (recommended).



## 5 Attach the bracket (for speaker) onto speaker.

Attach the bracket on with supplied screws (long) at the 4 screw holes.

This speaker system adopts a unique design that controls the directionality of the sound. Due to this feature, this speaker system must be mounted differently depending on whether it is being installed above or below the TV. Attach the brackets in the direction described below.

When installing above the TV

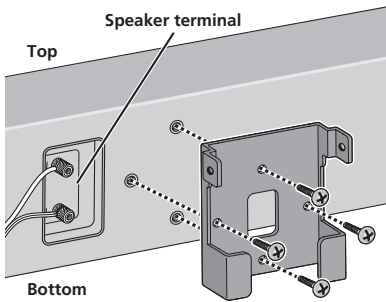


Television

When installing below the TV

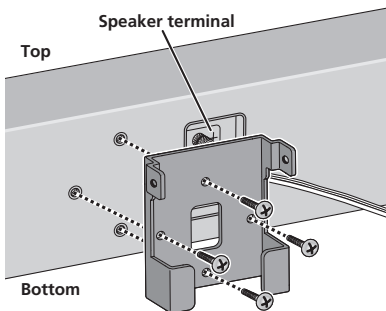
**When installing below the TV**

Attach bracket so that the speaker terminal is on its left when viewing the back of the speaker.



**When installing above the TV**

Attach bracket so that the speaker terminal is on its right when viewing the back of the speaker.



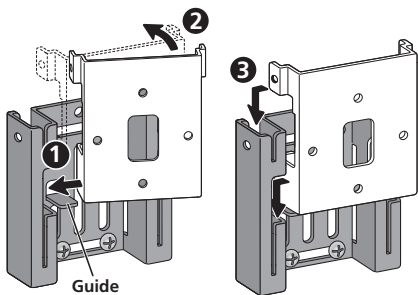
**6 Attach speaker onto bracket (for wall).**

Place the bottom left edge of the bracket (attached on the speaker) on top of the guide of the bracket (for wall) from a diagonal angle (1).

Bring right side of both brackets together so that they become horizontal to each other (2).

Move slightly to the left and slide down until stops, while aligning the left protruding section to the groove of the bracket (for wall) (3).

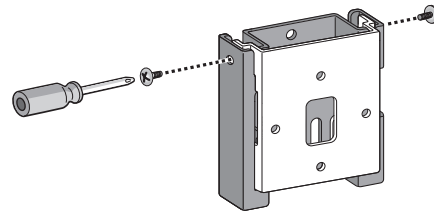
- The following illustration does not show the speaker attached to the bracket (for speakers) for description purposes.



**7 Secure brackets together with screws.**

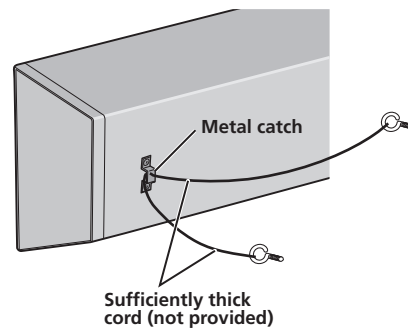
Secure the brackets together by using the supplied screws (short) at the screw holes located on the top of the left and right side of the brackets.

If you cannot secure both sides (due to such cases as lack of space to use a screwdriver), make sure that one side is secured with a screw.



**8 Secure speaker to wall with a cord.**

Screw two picture hooks or similar into the wall behind the speaker. Pass a thick cord (not provided) around the hooks and through the metal catch so that the speaker is stabilized (make sure to test that it supports the weight of the speaker).



- Do not attach the metal catch directly to the wall. It should only be used in conjunction with reinforced string to prevent the speaker from falling.

## Placing on a shelves using the speaker stand

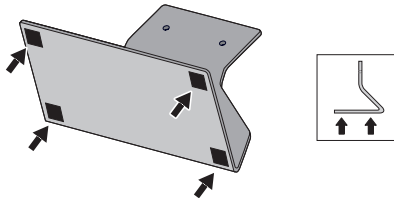
This speaker system can be placed on surfaces such as shelves by using the supplied speaker stand. Place on surfaces by using non-skid pads or self-adhering fasteners on the speaker stand.

Do not install speakers on slippery surfaces, as the strength of the non-skid pads may be insufficient to prevent the speaker system from sliding.

### 1 Attach the non-skid pads or self-adhering fasteners on the speaker stand.

#### • When using the non-skid pads

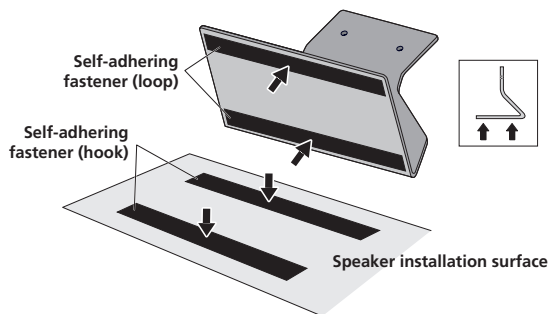
Paste the non-skid pads on each edge of the bottom of the speaker stand.



#### • When using the self-adhering fasteners

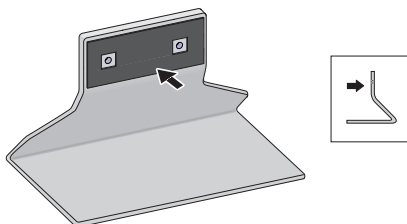
Glue the self-adhering fastener (loop side) at two locations on the bottom of the speaker stand.

Next, glue the self-adhering fastener (hook side) on the surface where the speaker stand will be placed.



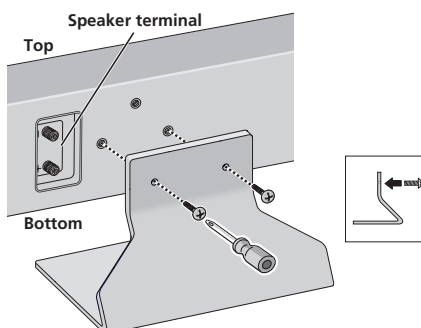
### 2 Affix the gasket to the speaker stand.

Affix the gasket to the surface of the speaker stand where the speaker will be mounted.



### 3 Attach the speaker stand to the speaker with screws.

Line up the screw holes in the speaker stand and the speaker, and firmly screw in 2 of the supplied screws (long). Attach the speaker stand so that the speaker terminal is on the left when viewing the back of the speaker.

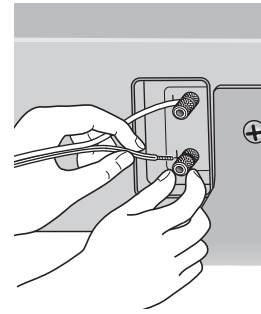


### 4 Connect the speaker cable.

- Speaker cable is not included with this speaker system.

This speaker does not include speaker cables used for connecting to an amplifier. Take the following factors into consideration when choosing speaker cables so that you can get the most from your speaker system:

- Use heavy-gauge speaker cable if possible, and keep the cables to the minimum necessary length.
- Cables have differing characteristics. Keep this in mind when using any cable.
- Connections at speaker and amplifier terminals should be made as tight and secure as possible to help reduce contact resistance.



- If the cables' wires happen to be pushed out of the terminals, allowing the wires to come into contact with each other, it places an excessive additional load on the amp. This may cause the amp to stop functioning, and may even damage the amp.
- After connecting the plugs, pull lightly on the cables to make sure that the ends of the cables are securely connected to the terminals. Poor connections can create noise and interruptions in the sound.
- Be sure to connect wires to the correct terminal polarities (+, -) at the speaker and amplifier, or the proper surround effect will not be produced.

## Specifications

Enclosure	Closed-box type (magnetically shielded)
Configuration	2-way
Woofers	13 cm cone x2
Tweeter	2.5 cm dome
Nominal impedance	6 $\Omega$
Frequency response	40 Hz to 50 000 Hz
Sensitivity	82 dB
Maximum input power	130 W
Crossover frequency	1.7 kHz
Exterior dimensions	722 mm (W) x 175 mm (H) x 70 mm (D) (Excluding protrusions)
Weight	5.2 kg

### Supplied accessories

Speaker stand	1
Bracket (for speaker/S)	1
Bracket (for speaker/L)	1
Bracket (for wall)	1
Screw (long)	4
Screw (short)	2
Non-skid pad	1 (set)
Gasket (for speaker stand)	1
Self-adhering fastener (hook)	2
Self-adhering fastener (loop)	2
Cleaning cloth	1
Wall mounting template	1
Operating instructions	

- Appearance and specifications are subject to change without notice.



is a trademark placed on a product with Pioneer's Phase Control Technology.

The Technology enables high-grade 5.1ch with no delay in the bass area.

Nous vous remercions d'avoir acheté ces enceintes acoustiques Pioneer. Veuillez lire attentivement ce mode d'emploi de manière à pouvoir utiliser votre modèle correctement. Après avoir lu ces explications, conservez-les en lieu sûr pour éventuellement les consulter plus tard.

## Avant de commencer

- L'impédance nominale de ces enceintes acoustiques est de 6  $\Omega$ . Raccordez ces enceintes à un amplificateur dont l'impédance de charge est de 6  $\Omega$  (un modèle pour lequel "6  $\Omega$ " est indiqué sur les bornes de sortie des enceintes).

Pour éviter d'endommager les enceintes par une surcharge à l'entrée, observez les précautions suivantes :

- Ne fournissez pas aux enceintes acoustiques un courant électrique dépassant l'entrée maximale autorisée.
- Si vous utilisez un égaliseur graphique pour accentuer les sons dans la plage des hautes fréquences, n'élevez pas trop le volume de l'amplificateur.
- N'essayez pas de pousser un amplificateur à faible puissance à produire un puissant volume sonore, car la distorsion harmonique de l'amplificateur en serait distordue et vous pourriez endommager les enceintes.

### Entretien des coffrets des enceintes

- Normalement, il suffit de frotter le coffret de ces enceintes avec un chiffon doux pour maintenir leur propreté. Au besoin, trempez le chiffon dans un détergent neutre dilué de 5 à 6 fois son volume d'eau et essorez bien le chiffon avant de l'utiliser pour frotter le coffret. N'utilisez pas de cire ou de détergent pour mobilier. N'utilisez jamais d'alcool, de diluant, benzine, bombe insecticide ou autres produits chimiques à proximité de cet appareil car ces produits détérioreraient le fini de surface. Lors de l'utilisation d'un chiffon traité chimiquement, faites bien attention de lire le manuel d'instructions qui l'accompagne.

### Nettoyage du fini brillant des enceintes acoustiques

- Lors du nettoyage du fini des enceintes acoustiques, frottez doucement avec un chiffon doux et sec; le chiffon de nettoyage fourni.
- Si vous utilisez un chiffon poussiéreux ou dur ou si vous frottez les enceintes trop fort, le fini du produit peut être rayé.
- Si vous nettoyez la surface des enceintes acoustiques avec un chiffon mouillé, des gouttes d'eau à la surface peuvent pénétrer dans le produit et entraîner un mauvais fonctionnement.

## Attention

### Installation

- Ne placez pas l'enceinte sur une surface instable, car elle pourrait tomber et provoquer des dégâts ou des blessures.
- Mettez votre système audiovisuel hors tension et débranchez-le, puis consultez le mode d'emploi avant de brancher des composants. Prenez soin d'utiliser correctement les cordons de raccordement.
- Lors de l'installation de l'appareil, évitez les endroits d'où il pourrait tomber et provoquer des blessures lors d'une catastrophe naturelle, telle qu'un séisme. Pour en savoir plus, voir page 5.
- Pioneer ne peut être tenu responsable pour tout accident ou dommage résultant d'une installation incorrecte, d'une mauvaise utilisation, de modifications apportées au produit ou de désastres naturels.

### Utilisation des enceintes

- N'utilisez pas les enceintes pour produire des sons distordus pendant une longue période. Cela pourrait endommager les enceintes et créer des risques d'incendie.
- Ne montez pas et ne vous asseyez pas sur les enceintes et ne laissez pas des enfants jouer sur celles-ci. Cela pourrait provoquer la chute des enceintes et entraîner des dommages ou des blessures corporelles.

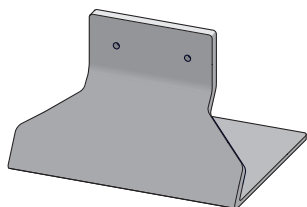
### ATTENTION

Les bornes des haut-parleurs sont sous une **tension ACTIVE DANGEREUSE**. Pour éviter tout risque de décharge électrique lors du branchement et du débranchement des câbles de haut-parleur, débranchez le cordon d'alimentation avant de toucher des parties non isolées.

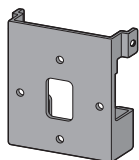


## Vérifiez vos accessoires

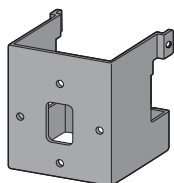
- Socle d'enceinte x 1



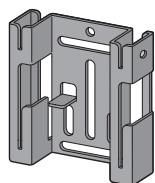
- Support (pour l'enceinte/S) x 1



- Support (pour l'enceinte/L) x 1



- Support (pour le mur) x 1



- Vis (longue) x 4



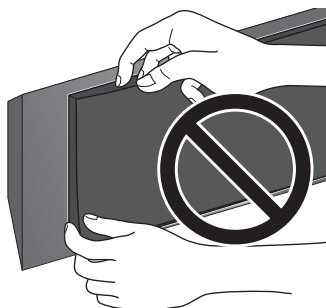
- Vis (courte) x 2



- Patins antidérapants x 1 (jeu)
- Joint (pour le socle d'enceinte) x 1
- Attache velcro (crochets) x 2
- Attache velcro (boucles) x 2
- Chiffon de nettoyage x 1
- Gabarit de fixation au mur x 1
- Mode d'emploi

## Grille des enceintes acoustiques

Les grilles des enceintes acoustiques ne peuvent pas être retirées. N'essayez pas de les retirer de force car cela pourrait les endommager.



## Installation de l'enceinte

Cette enceinte acoustique ne peut pas être placée directement sur le sol ou sur des étagères. Fixez-la toujours sur un mur en utilisant les supports fournis, ou posez-la sur une surface plate et stable en utilisant le socle d'enceinte fourni.

- Ces enceintes acoustiques sont munies d'un blindage magnétique. Cependant, selon l'endroit de leur installation, une distorsion des couleurs peut se produire si ces enceintes sont disposées tout près d'un téléviseur. Si ce phénomène se produit, mettez le téléviseur hors tension et attendez 15 à 30 minutes avant de le remettre sous tension. Si le problème persiste, éloignez les enceintes acoustiques du téléviseur.

### Fixation au mur

- Assurez-vous que le mur sur lequel vous avez l'intention de fixer l'enceinte est suffisamment solide pour la supporter.
- N'oubliez pas que ces enceintes acoustiques sont lourdes. Une installation incorrecte de l'enceinte peut entraîner sa chute et causer des dommages ou des blessures corporelles aux personnes se trouvant à proximité.
- Les vis de fixation ne sont pas fournies. Utilisez des vis qui conviennent au matériau du mur et peuvent supporter le poids des enceintes.

*Si vous n'êtes pas sûr de la qualité et de la résistance des murs, demandez conseil à un professionnel.*

Une fois que l'emplacement de l'installation a été décidé (comme par exemple, le pan de mur au-dessus ou au-dessous du téléviseur), fixez l'enceinte en suivant les procédures ci-après.

Deux types de supports (pour l'enceinte) sont fournis. Lors d'une utilisation conjointe avec un téléviseur plasma Pioneer, utilisez le support de type L. Lors de leur fixation au ras du mur, utilisez le support de type S.

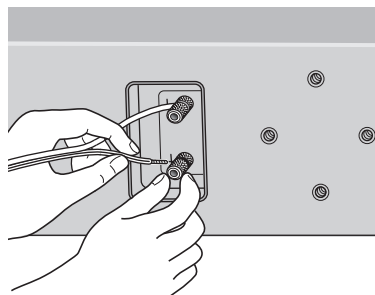
### 1 Raccordez le câble d'enceinte.

- Le câble d'enceinte n'est pas fourni avec cette enceinte acoustique.

Les câbles d'enceintes, nécessaires pour le branchement à un amplificateur, ne sont pas fournis avec ces enceintes acoustiques. Tenez compte des facteurs suivants lorsque vous choisissez les câbles d'enceinte, de manière à obtenir des performances idéales de vos enceintes acoustiques :

- Si possible, utilisez des câbles d'enceinte de gros calibre et d'une longueur minimale.
- Chaque câble a des caractéristiques différentes. Tenez compte de ce point lorsque vous les choisissez.
- Les branchements au niveau des bornes des enceintes et de l'amplificateur doivent être aussi serrés et sûrs que possible pour aider à réduire la résistance de contact.

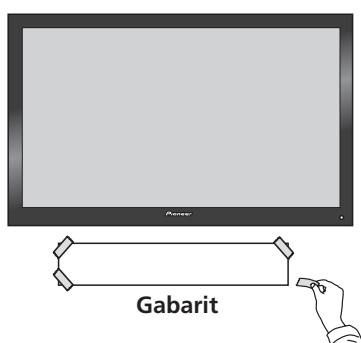
Lors de la fixation de l'enceinte au mur en utilisant le support, raccordez le câble d'enceinte avant de fixer l'enceinte sur le support.



- S'il arrive que les fils des câbles soient sortis des prises et qu'ils entrent en contact les uns avec les autres, cela ajoutera une charge supplémentaire excessive à l'amplificateur. Et cela peut entraîner un arrêt du fonctionnement de l'amplificateur et peut même l'endommager.
- Après avoir branché les câbles sur les bornes, tirez légèrement sur ceux-ci pour vous assurer que leur extrémité est parfaitement immobilisée sur les bornes. De mauvaises connexions sont la source de parasites, voire d'interruption des sons.
- Assurez-vous de raccorder les fils aux bornes de polarité correcte (+, -) au niveau de l'enceinte et de l'amplificateur, ou l'effet Surround correct ne sera pas produit.

## 2 Collez le gabarit de montage au mur fourni sur la surface d'installation.

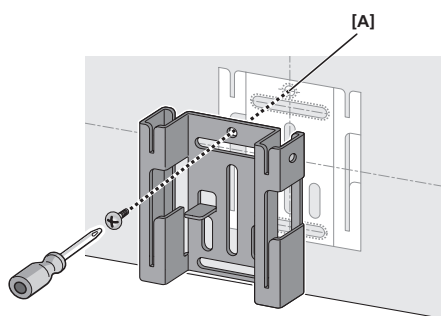
Fixez le gabarit droit par rapport au sol en utilisant par exemple un ruban adhésif. Assurez-vous que le gabarit est bien droit pour éviter que l'enceinte soit montée de biais. Si vous collez le gabarit trop près du téléviseur, il se peut que ce dernier soit gênant lors de l'installation de l'enceinte. Assurez-vous que le gabarit et le téléviseur ne se chevauchent pas.



## 3 Fixez temporairement le support (mural) à l'endroit spécifié sur le gabarit.

Alignez le support (mural) à l'endroit spécifié sur le gabarit, et fixez-le temporairement avec une vis (une vis d'un diamètre de 6 mm est recommandée) à l'emplacement [A].

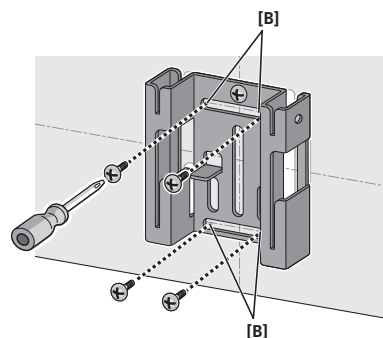
Ajustez la position de fixation du support de façon qu'il soit aligné avec le gabarit.



## 4 Fixez le support (mural).

Fixez le support avec les vis (des vis d'un diamètre de 6 mm sont recommandées) aux 4 emplacements [B] (recommandés). Serrez aussi solidement la vis [A] qui a été utilisée pour la fixation temporaire du support sur le mur. Pour éviter que l'enceinte pivote ou se détache, fixez solidement le support en de multiples emplacements.

- Ensuite, retirez le gabarit en le déchirant le long des perforations.
- L'illustration suivante est un exemple de fixation du support avec des vis en cinq emplacements: L'emplacement de la vis [A] et l'emplacement des autres vis [B] (recommandés).



## 5 Fixez le support (pour l'enceinte) sur l'enceinte.

Fixez le support avec les vis fournies (longues) aux 4 trous de vis. Cette enceinte acoustique possède un design unique qui contrôle la directionnalité du son. Grâce à cette fonctionnalité, cette enceinte acoustique peut être montée de façon différente selon qu'elle est installée au-dessus ou au-dessous du téléviseur. Fixez le support dans la direction indiquée ci-dessous.

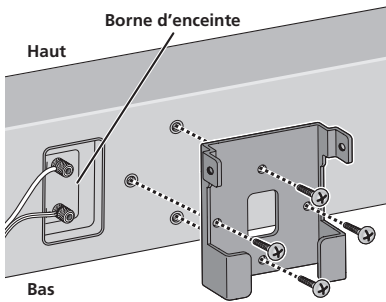
Lors de l'installation au-dessus du téléviseur



Lors de l'installation au-dessous du téléviseur

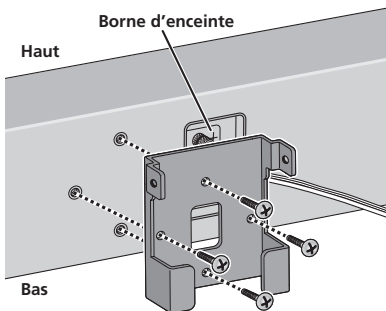
- **Lors de l'installation au-dessous du téléviseur**

Fixez le support de façon que la borne d'enceinte soit sur sa gauche quand vous regardez le dos de l'enceinte.



- **Lors de l'installation au-dessus du téléviseur**

Fixez le support de façon que la borne d'enceinte soit sur sa droite quand vous regardez le dos de l'enceinte.



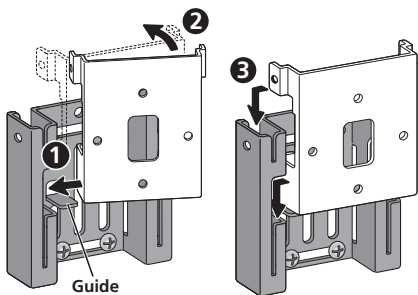
**6 Fixez l'enceinte sur le support (mural).**

Placez le bord inférieur gauche du support (fixé sur l'enceinte) en haut du guide du support (mural) avec un angle diagonal (1).

Amenez le côté droit des deux supports en contact l'un de l'autre de façon qu'ils deviennent parallèles (2).

Déplacez légèrement vers la gauche et faites glisser vers le bas jusqu'à la butée, tout en alignant la partie protubérante gauche dans la fente du support (mural) (3).

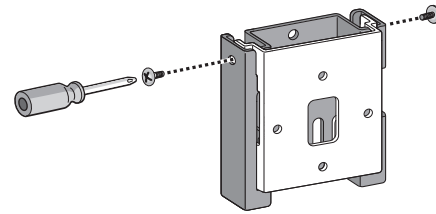
- Pour faciliter sa compréhension, l'illustration suivante ne montre pas l'enceinte fixée sur le support (pour l'enceinte).



**7 Fixez les supports ensemble avec des vis.**

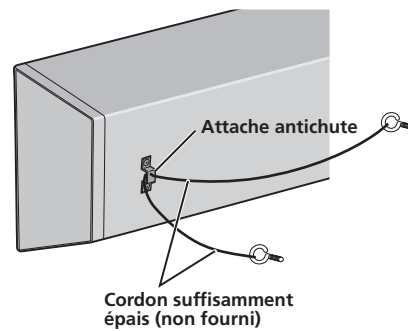
Fixez les supports ensemble en utilisant les vis fournies (courtes) dans les trous de vis situés en haut du côté gauche et droit des supports.

Si vous ne pouvez pas fixer les deux côtés (à cause d'un manque d'espace pour utiliser un tournevis, par exemple), assurez-vous qu'un des côtés a été fixé avec une vis.



**8 Fixez l'enceinte au mur avec un cordon.**

Vissez deux crochets à tableau ou similaires dans le mur au-dessus de l'enceinte. Passez un cordon épais (non fourni) autour des crochets et à travers la bague métallique de façon que l'enceinte soit stabilisée (assurez-vous de vérifier qu'il supporte le poids de l'enceinte).



- Ne fixez pas l'anneau métallique directement sur le mur, Elle doit être utilisée uniquement avec un cordon renforcé pour prévenir la chute de l'enceinte.

## Utilisation sur une étagère en utilisant le socle d'enceinte

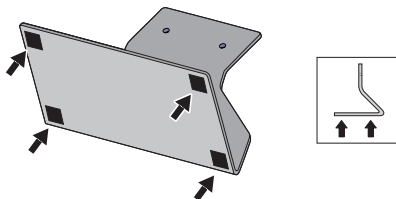
Cette enceinte acoustique peut être placée sur une surface telle qu'une étagère en utilisant le socle d'enceinte fourni. Placez l'enceinte sur une surface en utilisant les patins antidérapants ou les attaches autocollantes sur le socle d'enceinte.

N'installez pas l'enceinte sur une surface glissante, car la résistance des patins antidérapants risque de ne pas être suffisante pour empêcher l'enceinte de glisser.

### 1 Fixez les patins antidérapants ou les attaches autocollantes sur le socle d'enceinte.

#### Lors de l'utilisation des patins antidérapants

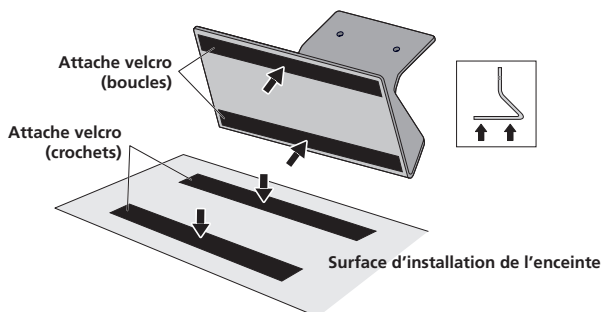
Collez les patins antidérapants à chaque bord du dessous du socle d'enceinte.



#### Lors de l'utilisation des attaches autocollantes

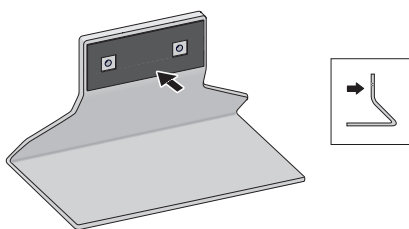
Collez l'attache velcro (côté boucles) à deux emplacements sur le dessous du socle d'enceinte.

Ensuite, collez l'attache velcro (côté crochets) sur la surface où le socle d'enceinte doit être placé.



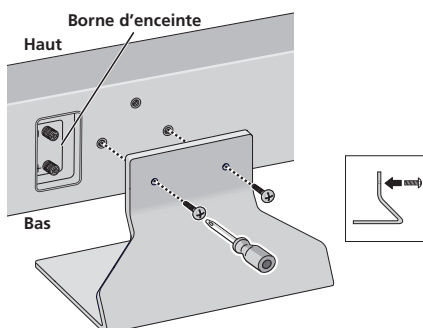
### 2 Fixez le joint sur le socle d'enceinte.

Fixez le joint sur la surface du socle d'enceinte où l'enceinte doit être montée.



### 3 Fixez le socle d'enceinte sur l'enceinte avec les vis.

Alignez les trous de vis du socle d'enceinte et ceux de l'enceinte, et vissez solidement 2 des vis fournies (longues). Fixez le socle d'enceinte de façon que la borne d'enceinte soit sur la gauche quand vous regardez le dos de l'enceinte.

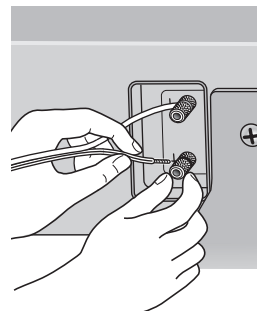


### 4 Raccordez le câble d'enceinte.

- Le câble d'enceinte n'est pas fourni avec cette enceinte acoustique.

Les câbles d'enceintes, nécessaires pour le branchement à un amplificateur, ne sont pas fournis avec ces enceintes acoustiques. Tenez compte des facteurs suivants lorsque vous choisissez les câbles d'enceinte, de manière à obtenir des performances idéales de vos enceintes acoustiques :

- Si possible, utilisez des câbles d'enceinte de gros calibre et d'une longueur minimale.
- Chaque câble a des caractéristiques différentes. Tenez compte de ce point lorsque vous les choisissez.
- Les branchements au niveau des bornes des enceintes et de l'amplificateur doivent être aussi serrés et sûrs que possible pour aider à réduire la résistance de contact.



- S'il arrive que les fils des câbles soient sortis des prises et qu'ils entrent en contact les uns avec les autres, cela ajoutera une charge supplémentaire excessive à l'amplificateur. Et cela peut entraîner un arrêt du fonctionnement de l'amplificateur et peut même l'endommager.
- Après avoir branché les câbles sur les bornes, tirez légèrement sur ceux-ci pour vous assurer que leur extrémité est parfaitement immobilisée sur les bornes. De mauvaises connexions sont la source de parasites, voire d'interruption des sons.
- Assurez-vous de raccorder les fils aux bornes de polarité correcte (+, -) au niveau de l'enceinte et de l'amplificateur, ou l'effet Surround correct ne sera pas produit.

## Fiche technique

Coffret . . . . .	Type à coffret fermé (blindée magnétiquement)
Configuration . . . . .	2 voies
Woofers . . . . .	Cône de 13 cm x2
Tweeter . . . . .	Dôme de 2,5 cm
Impédance nominale . . . . .	6 Ω
Réponse de fréquence . . . . .	de 40 Hz à 50 000 Hz
Sensibilité . . . . .	82 dB
Puissance d'entrée maximum . . . . .	130 W
Fréquence de recouvrement . . . . .	1,7 kHz
Dimensions extérieures . . . . .	722 mm (L) x 175 mm (H) x 70 mm (P) (sauf les protubérances)
Poids . . . . .	5,2 kg

### Accessoires fournis

Socle d'enceinte . . . . .	1
Support (pour l'enceinte/S) . . . . .	1
Support (pour l'enceinte/L) . . . . .	1
Support (pour le mur) . . . . .	1
Vis (longue) . . . . .	4
Vis (courte) . . . . .	2
Patins antidérapants . . . . .	1 (jeu)
Joint (pour le socle d'enceinte) . . . . .	1
Attache velcro (crochets) . . . . .	2
Attache velcro (boucles) . . . . .	2
Chiffon de nettoyage . . . . .	1
Gabarit de fixation au mur . . . . .	1
Mode d'emploi	

- L'apparence et les spécifications sont sujettes à changement sans notification.



est une marque de fabrique placée sur un produit utilisant la "Phase Control Technology" de Pioneer. Cette technologie permet une reproduction 5,1 voies de haute qualité sans retard dans les graves.

Muchas gracias por la adquisición de este producto Pioneer. Lea todo este manual de instrucciones para aprender a operar correctamente su modelo. Después de haber leído las instrucciones, guarde el manual en un lugar seguro para poderlo consultar en el futuro.

## Antes de comenzar

- La impedancia nominal de este sistema de altavoces es de 6  $\Omega$ . Conecte el sistema de altavoces a un amplificador que tenga una impedancia de carga de 6  $\Omega$  (un modelo que tenga inscrito "6  $\Omega$ " en los terminales de salida de altavoz).

Para evitar daños en el sistema de altavoces debido a una sobrecarga de entrada, tenga presente las precauciones siguientes:

- No suministre potencia al sistema de altavoces si excede la entrada máxima permisible.
- Cuando emplee un ecualizador gráfico para acentuar los sonidos altos de la gama de agudos, no aplique un volumen excesivo del amplificador.
- No trate de forzar a un amplificador de poca potencia para que produzca altos volúmenes de sonido (se incrementaría la distorsión armónica del amplificador, y podría dañarse el altavoz).

## Cuidados para las cajas acústicas de los altavoces

- En condiciones normales de utilización, emplee un paño suave para frotar la superficie y mantener limpias las cajas acústicas. Si es necesario, límpielas con un paño humedecido en un detergente neutro diluido en cinco o seis partes de agua, y enjuáguelo bien. No emplee cera para muebles ni detergentes. No utilice nunca, ni en la unidad como cerca de ella, alcohol, disolventes, bencina, pulverizadores de insecticida u otros productos químicos, ya que estos productos podrían corroer la superficie. Cuando emplee paños con tratamiento químico, asegúrese de leer el manual de instrucciones que se entrega con ellos.

## Limpieza del acabado brillante del sistema de altavoces

- Cuando limpie el acabado del sistema de altavoces, frote con cuidado con un paño suave y seco; el paño de limpieza suministrado.
- Si emplea un paño sucio o áspero o si frota la rejilla con fuerza, pueden producirse rayadas en el acabado del producto.
- Si limpia la superficie del sistema de altavoces con un paño humedecido, las gotas de agua de la superficie pueden entrar al interior del producto y ocasionar mal funcionamiento.

## Precaución

### Instalación

- No ponga el altavoz sobre una superficie inestable, porque, de lo contrario, el altavoz podría caerse y causar daños materiales o heridas personales.
- Desconecte la alimentación y desenchufe su equipo audiovisual y consulte las instrucciones antes de conectar componentes. Asegúrese de emplear unos cables de conexión adecuados.
- Cuando coloque esta unidad, no la ponga en lugares en los que pudiera correr el peligro de caídas y causar heridas en caso de un desastre natural (como pudiera ser un terremoto). Para más información, vea la página 5.
- Pioneer no se hace responsable de accidentes o daños como consecuencia de una instalación incorrecta, manipulación indebida o por las modificaciones del producto, así como tampoco debido a desastres naturales.

### Empleo de los altavoces

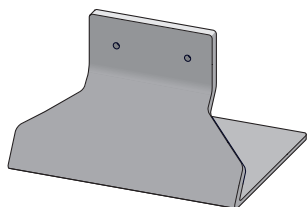
- No emplee el altavoz para emitir sonido distorsionado durante largos períodos de tiempo. Podría ocasionar daños en el altavoz y hacerle correr peligro de incendio.
- No se suba ni se siente encima del altavoz, y no permita que los niños jueguen sobre el altavoz. De lo contrario podría ocasionar la caída del altavoz y sufrir daños materiales o heridas personales.

### PRECAUCIÓN

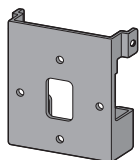
Por estos terminales de altavoz circula **tensión ACTIVA que es PELIGROSA**. Para evitar el peligro de descargas eléctricas al conectar o desconectar los cables de altavoz, desenchufe el cable de alimentación antes de tocar las partes de los cables que no están aisladas.

## Confirmación de los accesorios

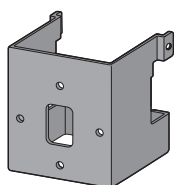
- Soporte de altavoz x 1



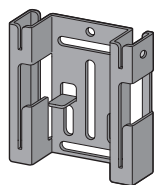
- Ménsula (para altavoz/S) x 1



- Ménsula (para altavoz/L) x 1



- Ménsula (para la pared) x 1



- Tornillos (largos) x 4



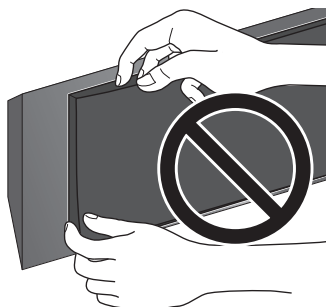
- Tornillos (cortos) x 2



- Almohadilla antirresbalamiento x 1 (juego)
- Junta (para el soporte de altavoz) x 1
- Fijador de autoadhesión (cinta de enganche) x 2
- Fijador de autoadhesión (cinta de adhesión) x 2
- Paño de limpieza x 1
- Plantilla para montaje en la pared x 1
- Manual de instrucciones

## Rejilla del sistema de altavoces

La rejilla del sistema de altavoces no es extraíble. No trate de extraerla a la fuerza porque podría dañar la rejilla.



## Instalación del altavoz

Este sistema de altavoces no puede ponerse directamente sobre la superficie del suelo ni en estantes. Fíjelo siempre a una pared empleando las ménsulas suministradas, o póngalo sobre una superficie plana y segura empleando el soporte de altavoz suministrado.

- El sistema de altavoces tiene protección magnética. Sin embargo, dependiendo del lugar de instalación, pueden producirse distorsiones de color en la pantalla del televisor si los sistemas de altavoces están cerca de él. Cuando suceda esto, ponga en OFF el interruptor de alimentación del televisor, y después otra vez en ON tras 15 a 30 minutos. Si el problema persiste, coloque el sistema de altavoces alejado del televisor.

### Montaje en la pared

- Asegúrese de que la pared en la que se propone montar el altavoz tenga suficiente resistencia para soportarlo.
- Recuerde que el sistema de altavoces es pesado. La instalación inadecuada del altavoz puede ocasionar su caída y producir daños y peligro de lesiones para las personas que estén cerca.
- No se suministran tornillos de fijación. Utilice tornillos apropiados para el material de la pared y el peso de los altavoces.

*Si no está seguro de la calidad y resistencia de las paredes, solicite ayuda a un profesional.*

Una vez haya decidido el lugar de instalación (como pueda ser el espacio de la pared de encima o debajo del televisor), monte el altavoz siguiendo los procedimientos siguientes.

Se suministran dos tipos de ménsulas (para el altavoz). Cuando se emplee junto a un televisor de plasma Pioneer, emplee la ménsula del tipo L. Cuando se monte empotrado en la pared, emplee la ménsula del tipo S.

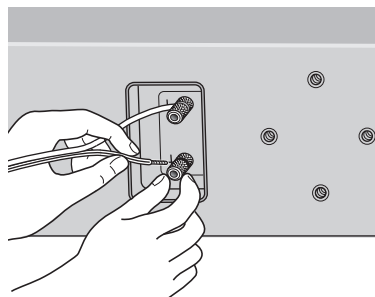
#### 1 Conecte el cable de altavoz.

- El cable de altavoz no se suministran con este sistema de altavoces.

Este altavoz no se suministra con los cables de altavoz utilizados para la conexión a un amplificador. Tenga en cuenta los factores siguientes cuando seleccione los cables de altavoz para aprovechar al máximo el rendimiento de su sistema de altavoces:

- Emplee un cable de gran calibre, y de la mínima longitud necesaria.
- Los cables tienen características distintas. Recuerde lo siguiente cuando utilice cualquier tipo de cables.
- Las conexiones en los terminales del altavoz y del amplificador deben fijarse bien y con seguridad en todo lo posible para ayudar a reducir la resistencia del contacto.

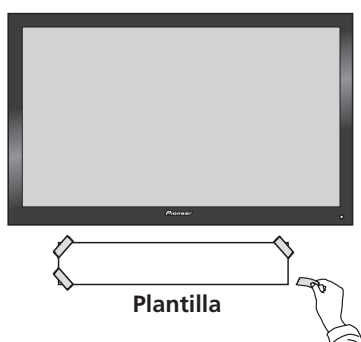
Cuando monte el altavoz en la pared empleando la ménsula, conecte el cable de altavoz antes de montar el altavoz en la ménsula.



- Si los conductores de los cables se salen de los terminales, y los conductores se ponen en contacto entre sí, se aplicará una carga adicional excesiva en el amplificador. Esto puede hacer que el amplificador deje de funcionar, y puede causar incluso daños en el amplificador.
- Después de haber efectuado la conexión tire ligeramente del cable para asegurar la seguridad y solidez de la conexión. Las conexiones defectuosas pueden ocasionar ruido e interrupción del sonido.
- Asegúrese de conectar los cables a las polaridades correctas de los terminales (+, -) en el altavoz y amplificador, o no se produciría el efecto adecuado de sonido Surround.

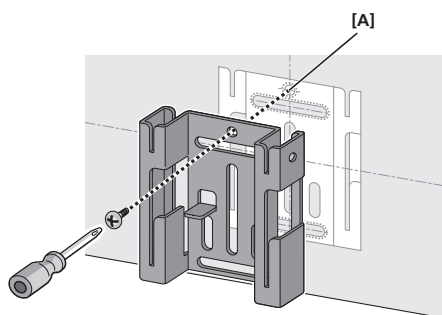
## 2 Enganche la plantilla para montaje en la pared suministrada en el lugar de instalación.

Enganche la plantilla nivelada con el suelo con cinta adhesiva o algo semejante. Asegúrese de que la plantilla quede recta para que el altavoz no quede montado con inclinación. Si engancha la plantilla en una posición demasiado cercana al televisor es posible que el televisor no le permita instalar cómodamente el altavoz. Asegúrese de que la plantilla y el televisor no se superpongan.



## 3 Monte provisionalmente la ménsula (para la pared) en el lugar especificado de la plantilla.

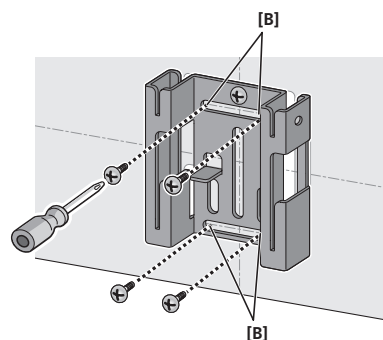
Alinee la ménsula (para la pared) en el lugar especificado de la plantilla, y móntela provisionalmente con un tornillo (se recomienda un tornillo de 6 mm de diámetro) en la posición [A]. Ajuste la posición de montaje de la ménsula de modo que quede alineada con la plantilla.



## 4 Monte la ménsula (para la pared).

Fije la ménsula con tornillos (se recomiendan tornillos de 6 mm de diámetro) en las 4 posiciones [B] (recomendado). Apriete también con seguridad el tornillo [A] que empleó para fijar provisionalmente la ménsula en la pared. Para evitar que se mueva o se caiga el altavoz, fije la ménsula con seguridad en varias posiciones.

- Después, extraiga la ménsula rompiéndola a lo largo de las perforaciones.
- La ilustración siguiente es un ejemplo de fijación de la ménsula con tornillos en cinco lugares: La posición de tornillo [A] y las 4 esquinas de la posición de tornillos [B] (recomendado).



## 5 Fije la ménsula (para los altavoces) al altavoz.

Fije la ménsula con los tornillos (largos) suministrados en los 4 orificios de tornillo.

Este sistema de altavoces adopta un diseño exclusivo que controla la dirección del sonido. Debido a esta característica, este sistema de altavoces debe montarse de forma diferente dependiendo de si se instala encima o debajo del televisor. Fije las ménsulas en la dirección indicada a continuación.

Cuando lo instale encima del televisor

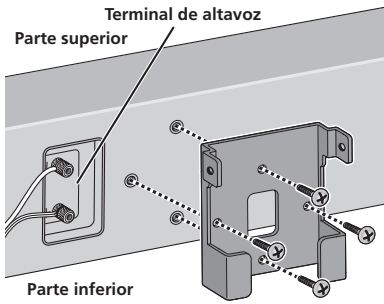


Cuando lo instale debajo del televisor



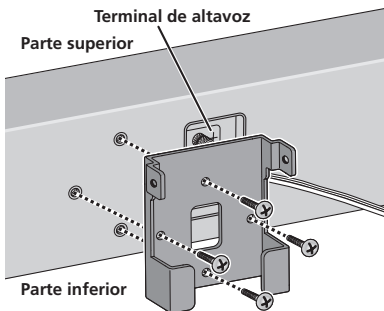
- **Cuando lo instale debajo del televisor**

Monte la ménsula de modo que el terminal del altavoz quede a su izquierda mirando desde detrás del altavoz.



- **Cuando lo instale encima del televisor**

Monte la ménsula de modo que el terminal del altavoz quede a su derecha mirando desde detrás del altavoz.



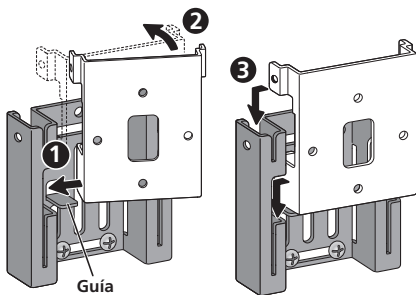
**6 Fije el altavoz en la ménsula (para la pared).**

Ponga el borde inferior izquierdo de la ménsula (fijada al altavoz) encima de la guía de la ménsula (para la pared) desde un ángulo en diagonal (1).

Junte el lado derecho de ambas ménsulas de modo que queden horizontales entre sí (2).

Muévala un poco hacia la izquierda y deslícela hacia abajo hasta el tope, mientras alinea la parte del saliente izquierdo con la ranura de la ménsula (para la pared) (3).

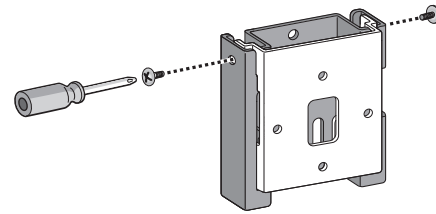
- La ilustración siguiente no muestra el altavoz fijado a la ménsula (para el altavoz) por razones descriptivas.



**7 Junte las ménsulas con seguridad con tornillos.**

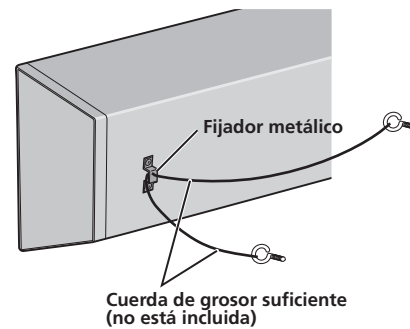
Junte las ménsulas con seguridad empleando los tornillos (cortos) suministrados en los orificios de tornillo situados en la parte superior de los lados izquierdo y derecho de las ménsulas.

Si no puede fijar ambos lados (por ejemplo, en casos en los que no hay espacio para emplear un destornillador), asegúrese de que un lado quede fijado con seguridad con un tornillo.



**8 Asegure el altavoz a la pared con una cuerda.**

Enrosque dos ganchos para cuadros o similares en la pared de detrás del altavoz. Pase una cuerda gruesa (no se suministra) en torno a los ganchos y por el fijador metálico para estabilizar el altavoz (asegúrese de que pueda soportar el peso del altavoz).



- No fije el fijador metálico directamente a la pared. Sólo deberá utilizarse junto con la cuerda reforzada para evitar la caída del altavoz.

## Colocación en estantes empleando el soporte de altavoz

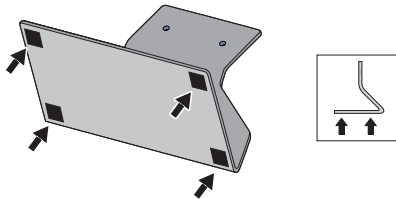
Este sistema de altavoces puede colocarse sobre superficies tales como las de estantes empleando el soporte de altavoz suministrado. Ponga las superficies empleando almohadillas antirresbalamiento o fijadores de autoadhesión en el soporte de altavoz.

No instale el altavoz sobre superficies resbaladizas, porque la resistencia de las almohadillas antirresbalamiento puede ser insuficiente para evitar que resbale el sistema de altavoces.

### 1 Adhiera las almohadillas antirresbalamiento o fijadores de autoadhesión en el soporte de altavoz.

#### • Cuando se empleen las almohadillas antirresbalamiento

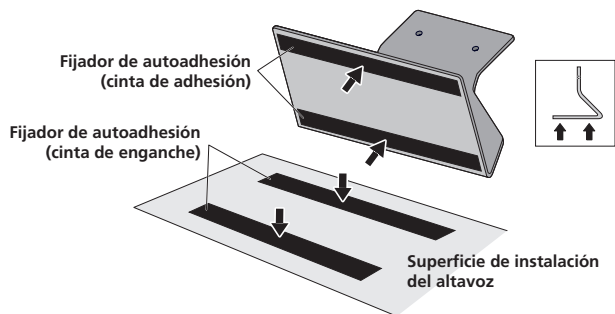
Enganche las almohadillas antirresbalamiento en cada borde de la parte inferior del soporte de altavoz.



#### • Cuando se empleen fijadores de autoadhesión

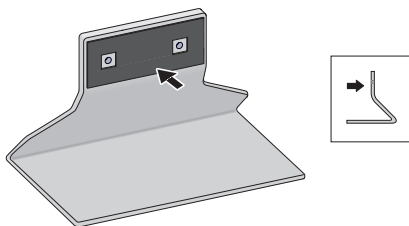
Enganche el fijador de autoadhesión (lado de la cinta de adhesión) en dos lugares de la parte inferior del soporte de altavoz.

Luego, enganche el fijador de autoadhesión (lado de la cinta de enganche) en la superficie en la que desee colocar el soporte de altavoz.



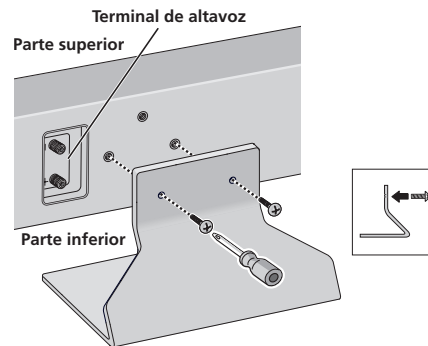
### 2 Fije la junta al soporte de altavoz.

Fije la junta a la superficie del soporte de altavoz en el lugar en el que desee montar el soporte de altavoz.



### 3 Fije el soporte de altavoz al altavoz con los tornillos.

Alinee los orificios de tornillo del soporte de altavoz y del altavoz, y enrosque con seguridad 2 de los tornillos (largos) suministrados. Monte el soporte de altavoz de modo que el terminal del altavoz quede a la izquierda mirando desde detrás del altavoz.

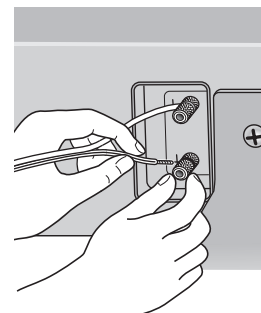


### 4 Conecte el cable de altavoz.

- El cable de altavoz no se suministra con este sistema de altavoces.

Este altavoz no se suministra con los cables de altavoz utilizados para la conexión a un amplificador. Tenga en cuenta los factores siguientes cuando seleccione los cables de altavoz para aprovechar al máximo el rendimiento de su sistema de altavoces:

- Emplee un cable de gran calibre, y de la mínima longitud necesaria.
- Los cables tienen características distintas. Recuerde lo siguiente cuando utilice cualquier tipo de cables.
- Las conexiones en los terminales del altavoz y del amplificador deben fijarse bien y con seguridad en todo lo posible para ayudar a reducir la resistencia del contacto.



- Si los conductores de los cables se salen de los terminales, y los conductores se ponen en contacto entre sí, se aplicará una carga adicional excesiva en el amplificador. Esto puede hacer que el amplificador deje de funcionar, y puede causar incluso daños en el amplificador.
- Después de haber efectuado la conexión tire ligeramente del cable para asegurar la seguridad y solidez de la conexión. Las conexiones defectuosas pueden ocasionar ruido e interrupción del sonido.
- Asegúrese de conectar los cables a las polaridades correctas de los terminales (+, -) en el altavoz y amplificador, o no se produciría el efecto adecuado de sonido Surround.

## Especificaciones

Caja acústica. . . . .	Tipo de caja cerrada (con protección magnética)
Configuración. . . . .	2 vías
Altavoz de graves . . . . .	Cono de 13 cm x 2
Altavoz de agudos. . . . .	domo de 2,5 cm
Impedancia nominal . . . . .	6 $\Omega$
Respuesta en frecuencia . . . . .	40 Hz a 50 000 Hz
Sensibilidad. . . . .	82 dB
Potencia de entrada máxima. . . . .	130 W
Frecuencia de cruce . . . . .	1,7 kHz
Dimensiones exteriores . . . . .	722 mm (An) x 175 mm (Al) x 70 mm (Prf)
	(Excluyendo los salientes)
Peso . . . . .	5,2 kg

### Accesorios suministrados

Soporte de altavoz. . . . .	1
Ménsula (para altavoz/S) . . . . .	1
Ménsula (para altavoz/L) . . . . .	1
Ménsula (para la pared) . . . . .	1
Tornillos (largos) . . . . .	4
Tornillos (cortos) . . . . .	2
Almohadilla antirresbalamiento . . . . .	1 (juego)
Junta (para el soporte de altavoz) . . . . .	1
Fijador de autoadhesión (cinta de enganche) . . . . .	2
Fijador de autoadhesión (cinta de adhesión) . . . . .	2
Paño de limpieza . . . . .	1
Plantilla para montaje en la pared . . . . .	1
Manual de instrucciones	

- Aspecto y especificaciones sujetos a cambios sin previo aviso.



es una marca comercial que llevan los productos que incorporan la tecnología de control de fase de Pioneer.

La tecnología permite el sonido de 5.1 canales de alta calidad sin retardo en la gama de graves.

感謝您購買本先鋒產品。請仔細閱讀操作說明，這樣您將知道如何正確使用本機型。閱讀完本操作手冊後，請將它放在安全的地方以供日後查閱。

## 開始使用前

- 本揚聲器系統的標稱阻抗為 6 Ω。將本揚聲器系統連接至負載阻抗為 6 Ω 的放大器（揚聲器輸出端子上有「6 Ω」顯示標記的型號）。

爲了防止輸入過載而導致揚聲器系統損壞，請注意以下幾點注意事項：

- 請勿對揚聲器系統提供超出最大允許輸入功率的電源。
- 使用圖形等化器在高頻範圍強調響亮的音色時，請勿使用過度的放大器音量。
- 請勿強行使用低功率放大器來播放響亮的音色（放大器的諧波失真將更加嚴重，而且還可能損壞揚聲器）。

## 揚聲器音箱的保養

- 在一般使用的情况下，使用軟布擦拭就足以維持揚聲器音箱的清潔。如有需要，請用布沾上以五或六倍的水稀釋的清潔劑，然後將布擰乾後再進行清潔。請勿使用傢俱蠟或清潔劑進行清潔。切勿在靠近本機的區域使用酒精、稀釋劑、噴霧殺蟲劑或其他化學藥劑，否則可能會腐蝕本機表面。使用經過化學處理的布時，請務必仔細閱讀其隨附的操作手冊。

## 清潔揚聲器系統的光滑表面

- 清潔揚聲器系統的表面時，請使用隨附且乾淨的乾軟布輕輕擦拭。
- 使用有灰塵的布或硬布用力擦拭會刮傷本產品的光滑表面。
- 如果使用溼布清潔揚聲器系統的表面，滴在表面上的水滴可能會進入本產品內，因而導致產生故障。

## 注意

### 安裝

- 請勿將揚聲器放置於不穩定的平面上，這樣可能導致揚聲器傾倒，造成揚聲器損壞或人員受傷。
- 要連接設備時，關閉並拔下 AV 設備的電源插頭，請參閱操作手冊。請確保您使用的是正確的連接纜線方法。
- 放置本機時，請避免將它放在可能因天然災害（例如地震）而導致傾倒並造成人員受傷的位置。如需詳細資訊，請參閱第 5 頁。
- 先鋒對於因不當安裝、誤用或改裝本產品、或天然災害引起的任何意外或損壞概不擔負任何責任。

### 使用揚聲器

- 請勿使用揚聲器長時間輸出失真的聲音。這樣可能造成揚聲器損壞，並有導致起火的危險。
- 請勿坐在或站在揚聲器上，或讓兒童在揚聲器上玩耍。這樣可能造成揚聲器翻覆，導致揚聲器損壞或人員受傷。

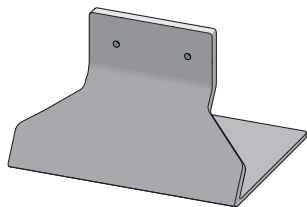
## 注意

揚聲器端子帶有**有害的電壓**。連接或切斷電源線時，爲避免觸電之風險，請在接觸任何未絕緣部分前將電源切斷。

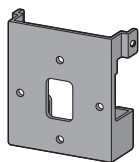
D3-4-2-2-3\_A\_ChH

## 確認配件是否齊全

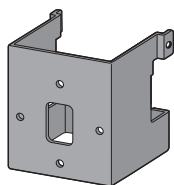
- 揚聲器支座 x 1



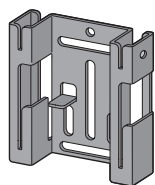
- 托架（用於揚聲器/S）x 1



- 托架（用於揚聲器/L）x 1



- 托架（用於牆壁）x 1



- 長螺絲 x 4



- 短螺絲 x 2



- 防滑墊 x 1（組）

- 襯墊（用於揚聲器支座）x 1

- 自黏帶（細鉤絲面，凸形）x 2

- 自黏帶（小環狀絲面，凹形）x 2

- 清潔布 x 1

- 壁掛板 x 1

- 操作手冊

## 安裝揚聲器

不可將本揚聲器系統直接放在地板或架子的表面上。務必使用隨附的托架安裝在牆壁上，或使用隨附的揚聲器支座放置在平坦與穩固的表面上。

- 本揚聲器系統是防磁的系統。但如果將揚聲器系統安裝在非常靠近電視機螢幕的位置，可能會造成電視機螢幕的色彩失真。如果發生這種情況，請關閉電視機電源，然後在經過 15 至 30 分鐘後再次開啓。如果問題仍然存在，請將揚聲器系統放置在遠離電視機的位置。

### 掛在牆壁上時

- 請在安裝前檢查牆壁，確認其強度足以支撐揚聲器的重量。
  - 請記住，本揚聲器系統相當重。不當安裝揚聲器可能導致它掉落，因而造成損壞或附近人員受傷。
  - 本機未隨附安裝在牆上所需使用的螺絲。請使用適合牆壁材質並能支撐揚聲器重量的螺絲。
- 如果您不確定牆壁的品質與強度，請洽詢專業人員。

決定安裝位置（例如安裝在電視機上方或下方的牆壁上）後，依照下列程序裝上揚聲器。

本產品隨附兩種類型的托架（用於揚聲器）。搭配先鋒電漿電視使用時，請使用 L 型托架。安裝在牆壁上時，請使用 S 型托架。

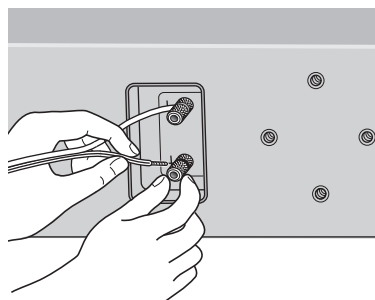
### 1 連接揚聲器纜線。

- 本揚聲器系統未隨附揚聲器纜線。

本揚聲器未隨附用於連接至放大器的揚聲器纜線。選擇揚聲器纜線時，請考慮到下列因素，這樣才能充分發揮本揚聲器系統的功能：

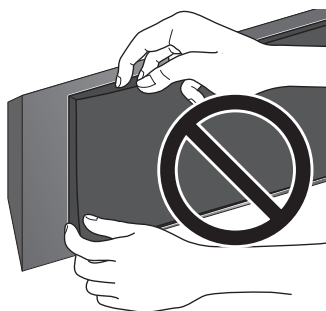
- 盡可能使用粗線徑的揚聲器纜線，並且將纜線維持在最小的所需長度。
- 纜線各有不同的特性。使用任何纜線時請牢記這點。
- 請盡量調緊揚聲器及放大器端的纜線，以確保有效降低接觸電阻。

使用托架將揚聲器安裝在牆上時，在將揚聲器安裝在托架上之前先連接揚聲器的纜線。



## 揚聲器系統護網蓋

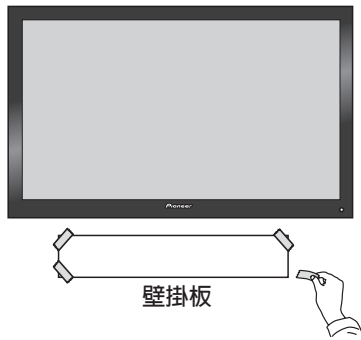
揚聲器系統護網蓋無法取下。請勿試圖強行取下它，否則可能導致護網蓋損壞。



- 如果纜線的芯線意外被拉出端子外並導致芯線互相接觸，將會對放大器產生過量的額外負載。這樣可能造成放大器停止作用，甚至損壞放大器。
- 連接插頭後，輕輕拉動纜線，以確定纜線端是否已牢牢連接至端子。連接不良可能產生噪音並造成聲音中斷。
- 請確定將纜線連接至揚聲器及放大器的正確極性端（+，-），否則不會出現正常的環繞音效。

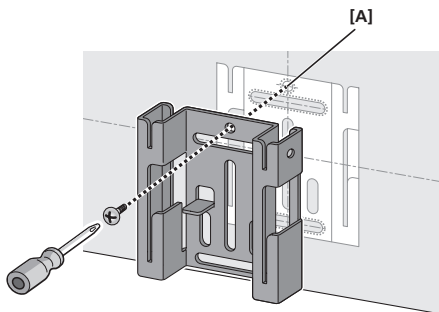
### 2 將隨附的壁掛板貼在安裝區域上。

使用黏性膠帶等黏著物品將壁掛板貼在牆上。確定保持壁掛板水平，以避免造成揚聲器的安裝往左或往右傾斜。將壁掛板貼得離電視機太近會導致阻擋到揚聲器的安裝位置。確定壁掛板和電視機的位置沒有重疊。



### 3 暫時將托架（用於牆壁）裝在壁掛板的指定位置上。

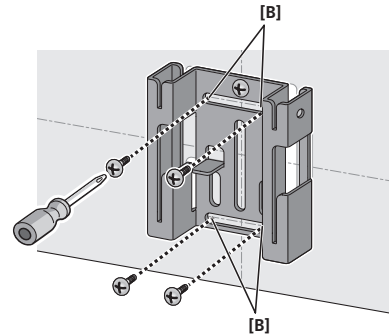
對齊托架（用於牆壁）與壁掛板的指定位置，然後使用螺絲（建議使用直徑 6 mm 的螺絲）暫時安裝在位置 [A]。調整托架的安裝位置，使托架對齊壁掛板。



### 4 安裝托架（用於牆壁）。

使用螺絲（建議使用直徑 6 mm 的螺絲）將托架安裝在四個位置 [B]（建議位置）。牢牢鎖緊用於暫時將托架安裝在牆上的螺絲 [A]。若要避免揚聲器晃動或掉下，請將托架牢牢地安裝在多個位置上。

- 然後沿著穿孔部位撕下壁掛板。
- 下圖是使用螺絲將托架安裝在五個位置的範例：螺絲位置 [A] 與四個角度的螺絲位置 [B]（建議位置）。



### 5 將托架（用於揚聲器）安裝在揚聲器上。

使用隨附的長螺絲將托架安裝在四個螺絲孔上。

本揚聲器系統採用可以控制聲音方向的獨特設計。基於此特性的緣故，安裝本揚聲器系統時，必須依據是安裝在電視機上方或下方而採用不同的安裝方式。依下列所述的方向安裝托架。

安裝在電視機上方時

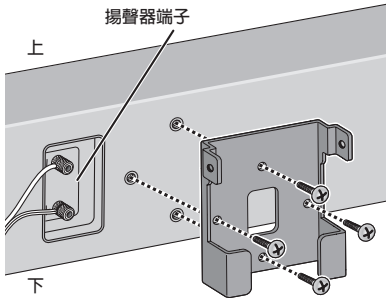


安裝在電視機下方時



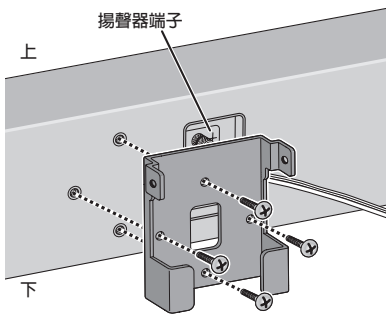
• 安裝在電視機下方時

安裝托架，當您從揚聲器背面觀看時，揚聲器端子位於托架左側。



• 安裝在電視機上方時

安裝托架，當您從揚聲器背面觀看時，揚聲器端子位於托架右側。



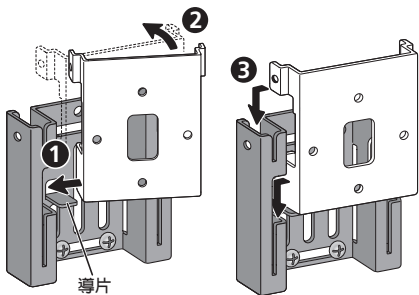
6 將揚聲器安裝在托架（用於牆壁）。

將托架（已安裝在揚聲器上）左下角以對角角度（❶）放置在托架（用於牆壁）的導片頂部。

將兩個托架的右側組合在一起，使它們互相保持水平（❷）。

將左側突出的部位對齊托架（用於牆壁）的導槽，往左下方輕輕滑動，一直滑到底為止（❸）。

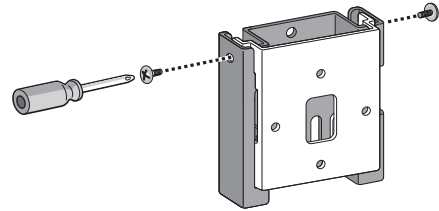
- 下圖未基於說明的用途而顯示安裝在托架（用於揚聲器）上的揚聲器。



7 使用螺絲將托架固定在一起。

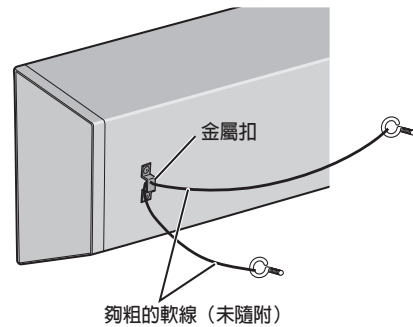
在托架左側頂部和右側頂部的螺絲孔上，使用隨附的短螺絲將托架旋緊在一起。

如果因為沒有可以使用螺絲起子的空間而無法旋緊兩側，請確定使用螺絲至少旋緊其中一側。



8 使用軟線將揚聲器固定在牆壁上。

將兩個圖畫掛鉤或類似物品旋緊在揚聲器背後的牆壁。將一條粗軟線（未隨附）繞住掛鉤並穿過金屬扣以穩定揚聲器（務必測試它是否足以支撐揚聲器的重量）。



- 請勿直接將金屬扣安裝在牆壁上。僅限搭配經過強化的軟線使用以避免揚聲器掉落。

## 使用揚聲器支座將揚聲器放置在架子上

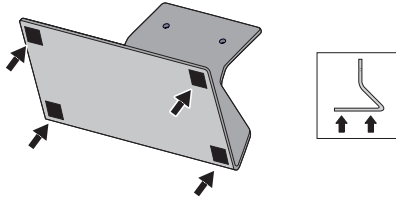
使用隨附的揚聲器支座可以將本揚聲器系統放置在例如架子等的表面上。使用貼在揚聲器支座上的防滑墊或自黏帶將揚聲器放置在表面上。

請勿將揚聲器安裝在易滑動的表面，因為防滑墊的強度可能不足以防止揚聲器系統滑動。

### 1 將防滑墊和自黏帶貼在揚聲器支座上。

#### • 使用防滑墊時

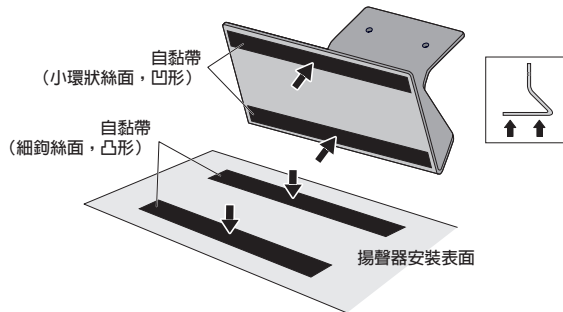
將防滑墊貼在揚聲器支座底部的每一邊。



#### • 使用自黏帶時

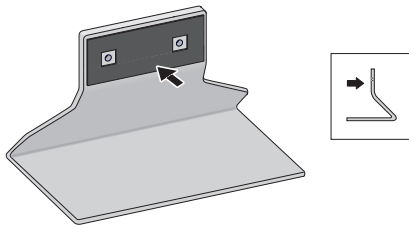
將自黏帶（凹形側）貼在揚聲器底部的上的兩個位置。

接著將自黏帶（凸形側）貼在放置揚聲器支座所在的表面上。



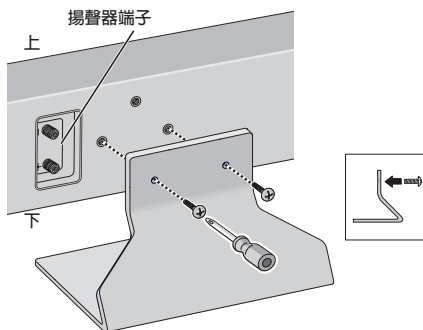
### 2 將襯墊貼在揚聲器支座上。

將襯墊貼在安裝揚聲器所在的揚聲器支座表面上。



### 3 使用螺絲將揚聲器支座安裝在揚聲器上。

對齊揚聲器支座與揚聲器的螺絲孔，然後牢牢的鎖緊隨附的兩顆長螺絲。裝上揚聲器支座，從揚聲器背面觀看時，揚聲器端子位於左側。

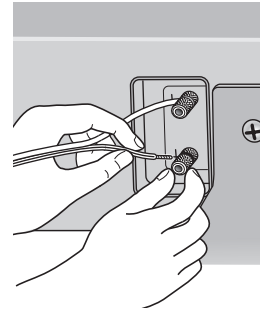


### 4 連接揚聲器纜線。

- 本揚聲器系統未隨附揚聲器纜線。

本揚聲器未隨附用於連接至放大器的揚聲器纜線。選擇揚聲器纜線時，請考慮到下列因素，這樣才能充分發揮本揚聲器系統的功能：

- 盡可能使用粗線徑的揚聲器纜線，並且將纜線維持在最小的所需長度。
- 纜線各有不同的特性。使用任何纜線時請牢記這點。
- 請盡量調緊揚聲器及放大器端的纜線，以確保有效降低接觸電阻。



- 如果纜線的芯線意外被拉出端子外並導致芯線互相接觸，將會對放大器產生過量的額外負載。這樣可能造成放大器停止作用，甚至損壞放大器。
- 連接插頭後，輕輕拉動纜線，以確定纜線端是否已牢牢連接至端子。連接不良可能產生噪音並造成聲音中斷。
- 請確定將纜線連接至揚聲器及放大器的正確極性端（+，-），否則不會出現正常的環繞音效。



## 規格

機殼 .....	封閉式音箱 (防磁)
配置 .....	雙路方式
低音揚聲器 .....	13 cm 圓錐形 x 2
高音揚聲器 .....	2.5 cm 球形
標稱阻抗 .....	6 Ω
頻率響應 .....	40 Hz 至 50 000 Hz
靈敏度 .....	82 dB
最大輸入功率 .....	130 W
交叉頻率 .....	1.7 kHz
外形尺寸 .....	722 mm (寬) x 175 mm (高) x 70 mm (深) (不包括突出部位)
重量 .....	5.2 kg

## 附件

揚聲器支座 .....	1
托架 (用於揚聲器 /S) .....	1
托架 (用於揚聲器 /L) .....	1
托架 (用於牆壁) .....	1
長螺絲 .....	4
短螺絲 .....	2
防滑墊 .....	1 (組)
襯墊 (用於揚聲器支座) .....	1
自黏帶 (細鉤絲面, 凸形) .....	2
自黏帶 (小環狀絲面, 凹形) .....	2
清潔布 .....	1
壁掛板 .....	1
操作手冊 .....	1

- 外觀和規格若因為改良而變更, 恕不另行通知。



是標示在配備先鋒相位控制技術的產品上的商標。

這個技術採用低音音域不會有任何延遲的高音質 5.1 聲道。

**PIONEER CORPORATION**

4-1, Meguro 1-Chome, Meguro-ku, Tokyo 153-8654, Japan

**PIONEER ELECTRONICS (USA) INC.**

P.O. BOX 1540, Long Beach, California 90801-1540, U.S.A. TEL: (800) 421-1404

**PIONEER ELECTRONICS OF CANADA, INC.**

300 Allstate Parkway, Markham, Ontario L3R 0P2, Canada TEL: 1-877-283-5901, 905-479-4411

**PIONEER EUROPE NV**

Haven 1087, Keetberglaan 1, B-9120 Melsele, Belgium TEL: 03/570.05.11

**PIONEER ELECTRONICS ASIACENTRE PTE. LTD.**

253 Alexandra Road, #04-01, Singapore 159936 TEL: 65-6472-7555

**PIONEER ELECTRONICS AUSTRALIA PTY. LTD.**

178-184 Boundary Road, Braeside, Victoria 3195, Australia, TEL: (03) 9586-6300

**PIONEER ELECTRONICS DE MEXICO S.A. DE C.V.**

Bldv.Manuel Avila Camacho 138 10 piso Col.Lomas de Chapultepec, Mexico,D.F. 11000 TEL: 55-9178-4270

K002\_B\_En

Published by Pioneer Corporation.

Copyright © 2007 Pioneer Corporation.

All rights reserved.

Publication de Pioneer Corporation.

© 2007 Pioneer Corporation.

Tous droits de reproduction et de traduction réservés.

## Free Manuals Download Website

<http://myh66.com>

<http://usermanuals.us>

<http://www.somanuals.com>

<http://www.4manuals.cc>

<http://www.manual-lib.com>

<http://www.404manual.com>

<http://www.luxmanual.com>

<http://aubethermostatmanual.com>

Golf course search by state

<http://golfingnear.com>

Email search by domain

<http://emailbydomain.com>

Auto manuals search

<http://auto.somanuals.com>

TV manuals search

<http://tv.somanuals.com>