

BRIDGEABLE FOUR-CHANNEL POWER AMPLIFIER

**AMPLIFICATEUR DE PUISSANCE PONTABLE A
QUATRE VOIES**

Owner's Manual

PRS-D400

Mode d'emploi

ENGLISH

ESPAÑOL

DEUTSCH

FRANÇAIS

ITALIANO

NEDERLANDS

РУССКИЙ

Before Using This Product	1
Product registration	1
In case of trouble	2
CAUTION	2
CAUTION	2
WARNING	2
Setting the Unit	3
Terminal Cover	3
Cut Off Frequency Control	3
Input Switch	3
BFC (Beat Frequency Control) Switch	3
LPF (Low-Pass Filter)/HPF (High-Pass Filter) Select Switch	4
Input Select Switch	4
Power Indicator	4
Gain Control	4
Connecting the Unit	5
Connection Diagram	6
Connecting the Power Terminal	7
Connecting the Speaker Output Terminals	8
Using the Speaker Input	8
Connecting the Speakers and Input Wires	9
Installation	11
Example of installation on the floor mat or on the chassis	12
Replacing the terminal cover	12
Specifications	13

Thank you for purchasing this PIONEER product. Before attempting operation, be sure to read this manual.



If you want to dispose this product, do not mix it with general household waste. There is a separate collection system for used electronic products in accordance with legislation that requires proper treatment, recovery and recycling.

Private households in the 25 member states of the EU, in Switzerland and Norway may return their used electronic products free of charge to designated collection facilities or to a retailer (if you purchase a similar new one).

For countries not mentioned above, please contact your local authorities for the correct method of disposal.

By doing so you will ensure that your disposed product undergoes the necessary treatment, recovery and recycling and thus prevent potential negative effects on the environment and human health.

Product registration

Visit us at the following site:


www.pioneer.co.uk

Register your product. We will keep the details of your purchase on file to help you refer to this information in the event of an insurance claim such as loss or theft.

In case of trouble

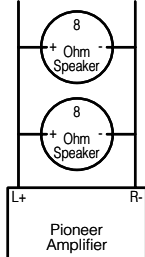
When the unit does not operate properly, contact your dealer or the nearest authorized PIONEER Service Station.

CAUTION

Never replace the fuse with one of greater value or rating than the original fuse. Use of an improper fuse could result in overheating and smoke and could cause damage to the product and injury including burns.

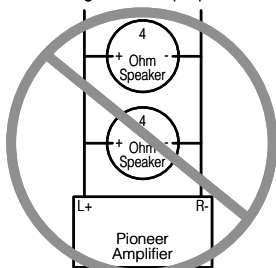
CAUTION

Diagram A - Proper



4 Ohm Bridged Mode

Diagram B - Improper



2 Ohm Bridged Mode

Do NOT install or use your Pioneer amplifier by wiring speakers rated at 4 Ohm (or lower) in parallel to achieve a 2 Ohm (or lower) bridged mode (Diagram B).

Amplifier damage, smoke, and overheating could result from improper bridging. The amplifier surface could also become hot to the touch and minor burns could result.

To properly install or use a bridged mode for a two-channel amplifier and achieve a 4 Ω load, wire two 8 Ω speakers in parallel with Left + and Right - (Diagram A) or use a single 4 Ω speaker. For a four-channel amplifier, follow the speaker output connection diagram for bridging as shown on the back of your amplifier, and wire two 8 Ω speakers in parallel to achieve a 4 Ω load or use a single 4 Ω speaker per channel.

If you have any questions or concerns, please contact your local authorized Pioneer dealer or call Pioneer customer service.

WARNING

- Always use the special red battery and ground wire [RD-223], which is sold separately. Connect the battery wire directly to the car battery positive terminal (+) and the ground wire to the car body.
- Do not touch the amplifier with wet hands. Otherwise you may get an electric shock. Also, do not touch the amplifier when it is wet.
- For traffic safety and to maintain safe driving conditions, keep the volume low enough so that you can still hear normal traffic sound.
- Check the connections of the power supply and speakers if the fuse of the separately sold battery wire or the amplifier fuse blows. Detect the cause and solve the problem, then replace the fuse with another one of the same size and rating.
- To prevent malfunction of the amplifier and speakers, the protective circuit will cut the power supply to the amplifier (sound will stop) when an abnormal condition occurs. In such a case, switch the power to the system OFF and check the connection of the power supply and speakers. Detect the cause and solve the problem.
- Contact the dealer if you cannot detect the cause.
- To prevent an electric shock or short-circuit during connection and installation, be sure to disconnect the negative (-) terminal of the battery beforehand.
- Confirm that no parts are behind the panel when drilling a hole for installation of the amplifier. Be sure to protect all cables and important equipment such as fuel lines, brake lines and the electrical wiring from damage.
- DO NOT allow amplifier to come into contact with liquids due to, for example, the location where the amplifier is installed. Electrical shock could result. Also, amplifier and speaker damage, smoke, and overheating could result from contact with liquids. In addition, the amplifier surface and the surface of any attached speakers could become hot to the touch and minor burns could result.

Setting the Unit

Terminal Cover

Before setting up the unit, unfasten the screws with a 4 mm hexagonal wrench (not supplied) and remove the terminal cover.

Cut Off Frequency Control

If the LPF/HPF select switch is set to LPF or HPF, you can select a cut off frequency from 40 Hz to 120 Hz.

Input Switch

It is possible to input from a car stereo external output (subwoofer output) or a car stereo speaker output. When using an external output (subwoofer output), slide the switch to the left. For connection instructions, see the "Connection Diagram" section. When using a speaker output, slide the switch to the right. In this case, it is necessary to use the supplied speaker input wire with RCA pin cord. For details, see the "Using the Speaker Input" section.

BFC (Beat Frequency Control) Switch

BFC switch is on the bottom of the unit. If you hear a beat while listening to an MW/LW broadcast with your car stereo, change the BFC switch using a small standard tip screwdriver.

LPF (Low-Pass Filter)/HPF (High-Pass Filter) Select Switch

Set the LPF/HPF select switch as follows according to the type of speaker that is connected to the speaker output connector and the car stereo system:

LPF/HPF Select Switch	Audio frequency range to be output	Speaker Type	Remarks
LPF (Left)	* — 40 Hz to 120 Hz	Subwoofer	Connect a subwoofer.
OFF (Center)	Full range	Full range	
HPF (Right)	* 40 Hz to 120 Hz —	Full range	Use if you want to cut the very low frequency range* because it is not necessary for the speakers you are using.

* See the “Cut Off Frequency Control” section.

Power Indicator

The power indicator lights when the power is switched on.

Input Select Switch

For two-channel input, slide this switch to the left. For four-channel input, slide this switch to the right.

Gain Control

Adjusting the gain controls A and B will help match the output of the car stereo to the Pioneer amplifier. Normally, set the gain controls to the NORMAL position. If the output is low, even when the volume of the car stereo is turned up, turn these controls clockwise. If there is distortion when the volume of the car stereo is turned up, turn these controls counter-clockwise.

- If you only use one input plug, set the gain controls for speaker outputs A and B to the same position.
- When using with an RCA equipped car stereo (standard output of 500 mV), set to the NORMAL position. When using with an RCA equipped Pioneer car stereo with max. output of 4 V or more, adjust level to match the car stereo output level.

CAUTION

- Disconnect the negative (–) terminal of the battery to avoid the risk of short-circuit and damage to the unit.
- Secure the wiring with cable clamps or adhesive tape. To protect the wiring, wrap adhesive tape around it where they lie against metal parts.
- Do not route wires where they will get hot, for example where the heater will blow over them. If the insulation heats up, it may become damaged, resulting in a short-circuit through the vehicle body.

CAUTION:

To prevent damage and/or injury

- Do not ground the speaker wire directly or connect a negative (–) lead wire for several speakers.
- This unit is for vehicles with a 12-volt battery and negative grounding. Before installing it in a recreational vehicle, truck or bus, check the battery voltage.
- If the car stereo is kept on for a long time while the engine is at rest or idling, the battery may go dead. Turn the car stereo off when the engine is at rest or idling.
- If the system remote control wire of the amplifier is connected to the power terminal through the ignition switch (12 V DC), the amplifier will always be on when the ignition is on— regardless of whether the car stereo is on or off. Because of this, the battery could go dead if the engine is at rest or idling.

- Make sure that wires will not interfere with moving parts of the vehicle, such as the gearshift, handbrake or seat sliding mechanism.
- Do not shorten any wires. Otherwise the protection circuit may fail to work when it should.
- Never feed power to other equipment by cutting the insulation of the power supply wire to tap from the wire. The current capacity of the wire will be exceeded, causing overheating.
- Never replace the fuse with one of greater value or rating than the original fuse. Use of an improper fuse could result in overheating and smoke and could cause damage to the product and injury including burns.

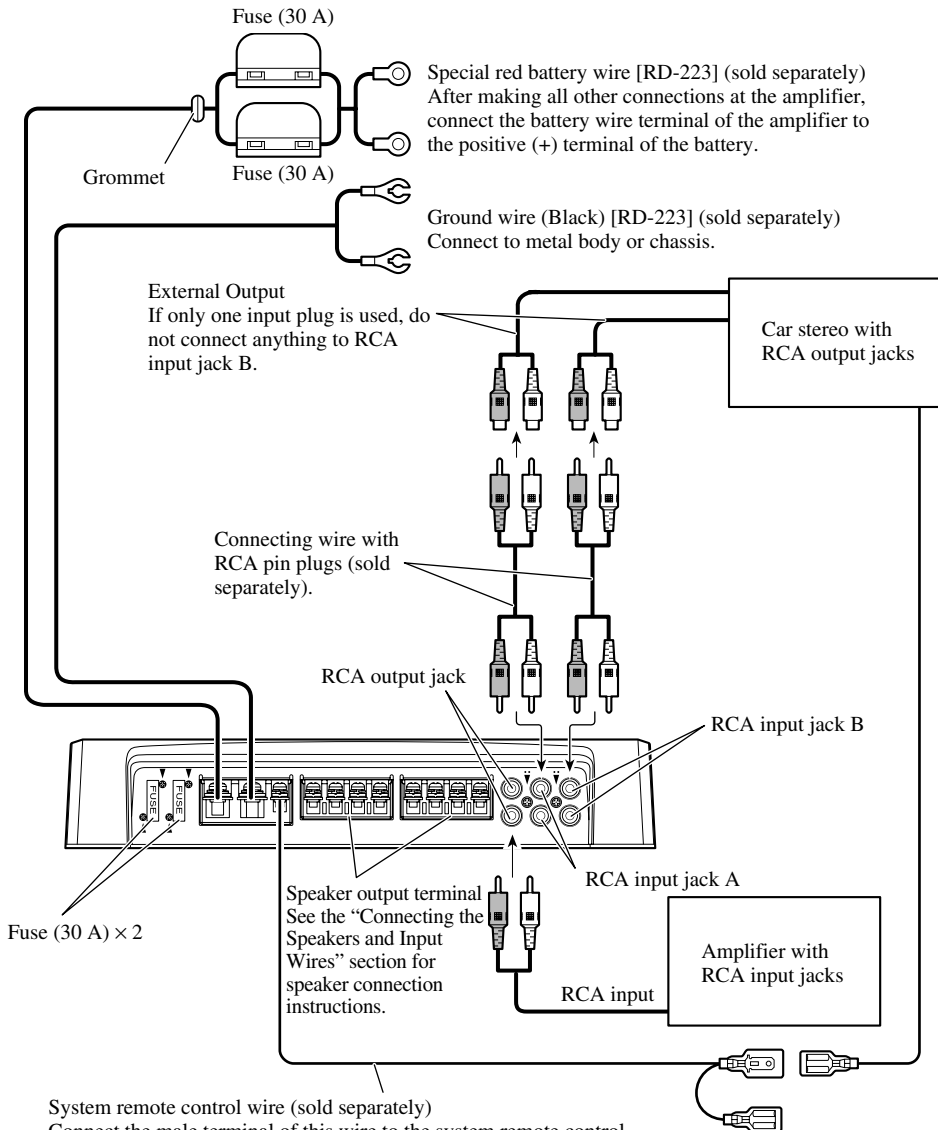
- Speakers to be connected to the amplifier should conform with the standards listed below. If they do not conform, they may catch fire, emit smoke or become damaged. The speaker impedance must be 2 to 8 ohms. But in case of two-channel and other bridge connections, the speaker impedance must be 4 to 8 ohms.
- Install and route the separately sold battery wire as far away as possible from the speaker wires. Install and route the separately sold battery wire, ground wire, speaker wires and the amplifier as far away as possible from the antenna, antenna cable and tuner.

- Cords for this product and those for other products may be different colors even if they have the same function. When connecting this product to another product, refer to the supplied Installation manuals of both products and connect cords that have the same function.

Speaker Channel	Speaker Type	Power
Four-channel	Subwoofer	Nominal input: Min. 75 W
	Other than subwoofer	Max. input: Min. 150 W
Two-channel	Subwoofer	Nominal input: Min. 300 W
	Other than subwoofer	Max. input: Min. 600 W
Three-channel	Subwoofer	Nominal input: Min. 75 W
Speaker output A	Other than subwoofer	Max. input: Min. 150 W
Three-channel	Subwoofer	Nominal input: Min. 300 W
Speaker output B	Other than subwoofer	Max. input: Min. 600 W

Connection Diagram

- This diagram shows connections using external output (subwoofer output). Slide the input switch to the left.
- When you connect with speaker output, connections defers from the diagram. For details, see the “Using the Speaker Input” section. In either case, you need to set the input switch. For details, see the “Setting the Unit” section.



System remote control wire (sold separately)
Connect the male terminal of this wire to the system remote control
terminal of the car stereo (SYSTEM REMOTE CONTROL). The female
terminal can be connected to the auto-antenna relay control terminal. If the
car stereo does not have a system remote control terminal, connect the
male terminal to the power terminal through the ignition switch.

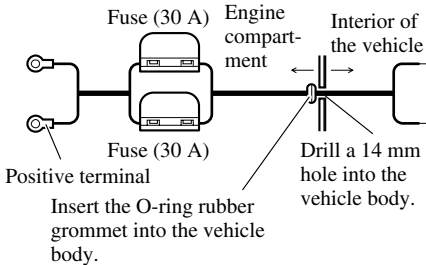
Connecting the Unit

Connecting the Power Terminal

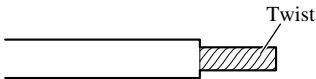
- Always use the special red battery and ground wire [RD-223], which is sold separately. Connect the battery wire directly to the car battery positive terminal (+) and the ground wire to the car body.

1. Pass the battery wire from the engine compartment to the interior of the vehicle.

- After making all other connections to the amplifier, connect the battery wire terminal of the amplifier to the positive (+) terminal of the battery.

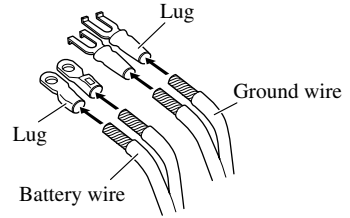


2. Twist the battery wire, ground wire and system remote control wire.



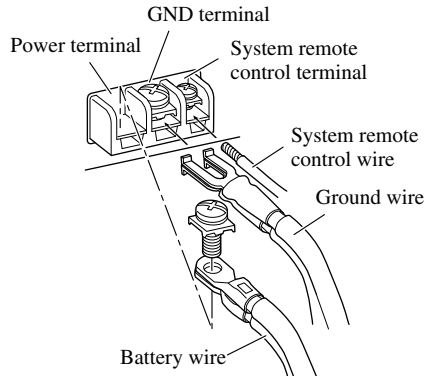
3. Attach lugs to wire ends. Lugs not supplied.

- Use pliers, etc., to crimp lugs to wires.



4. Connect the wires to the terminal.

- Fix the wires securely with the terminal screws.

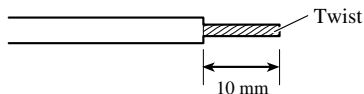


WARNING

Failure to securely fasten the battery wire to the terminal using the terminal screws could cause the terminal area to overheat and could result in damage and injury including minor burns.

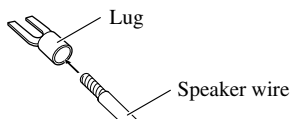
Connecting the Speaker Output Terminals

1. Expose the end of the speaker wires using nippers or a cutter by about 10 mm and twist.



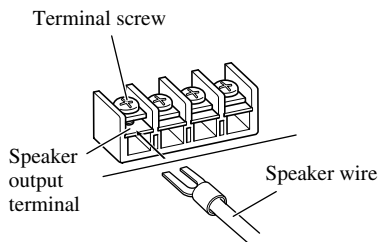
2. Attach lugs to speaker wire ends. Lugs not supplied.

- Use pliers, etc., to crimp lugs to wires.



3. Connect the speaker wires to the speaker output terminals.

- Fix the speaker wires securely with the terminal screws.



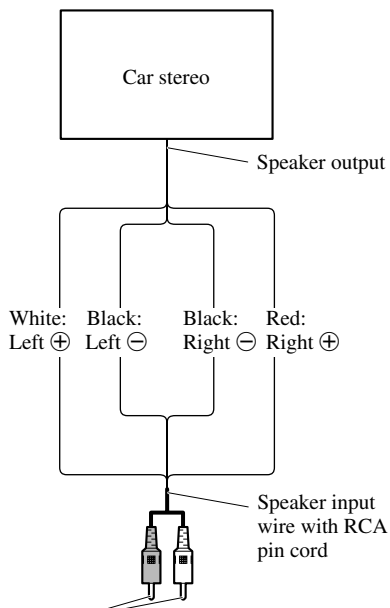
Using the Speaker Input

Connect the car stereo speaker output wires to the amplifier using the supplied speaker input wire with RCA pin cord.

- Slide the input switch to the right.

- For four-channel input, connect two speaker input wires with RCA pin cord to RCA input jack A and B. Be sure to slide the input select switch to the right.
- For two-channel input, connect the speaker input wire with RCA pin cord to RCA input jack A. Do not connect anything to RCA input jack B. Be sure to slide the input select switch to the left.

■ Connections when using the speaker input



To RCA input jack of this unit.

- As a result of connecting the car stereo speaker output wire to the amplifier, the power of the amplifier is turned on automatically when the car stereo is turned on. It is not necessary to connect the system remote control wire in this case.

Note:

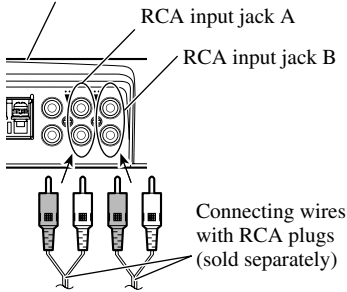
- Connect the system remote control wire when the power of the amplifier is not to be turned on when the car stereo is turned on.

Connecting the Speakers and Input Wires

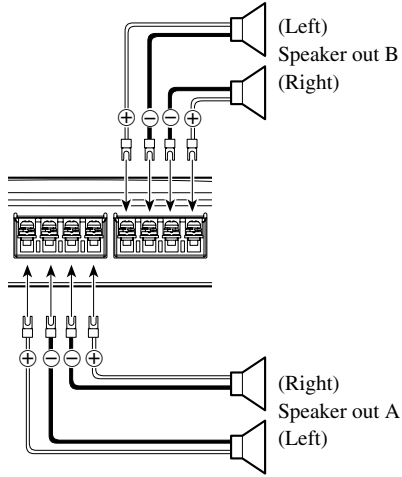
The speaker output mode can be four-channel, three-channel (stereo + mono) or two-channel (stereo, mono). Connect the speaker leads to suit the mode according to the figures shown below.

Four-channel

Input select switch is on the top of the unit. For two-channel input, slide this switch to the left. For four-channel input, slide this switch to the right.

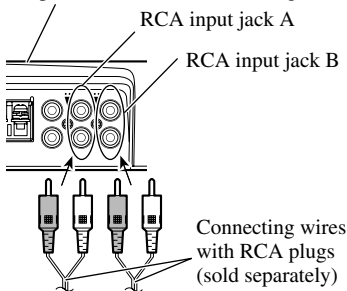


From car stereo (RCA output)
If only one input plug is used, such as when the car stereo has only one output (RCA output), connect the plug to RCA input jack A, but do not connect a plug to RCA input jack B.

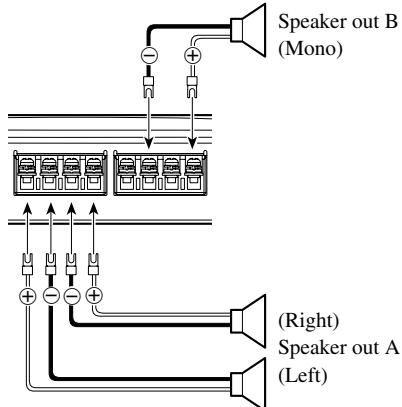


Three-channel

Input select switch is on the top of the unit. For two-channel input, slide this switch to the left. For four-channel input, slide this switch to the right.



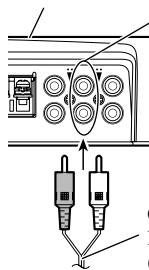
From car stereo (RCA output)
If only one input plug is used, such as when the car stereo has only one output (RCA output), connect the plug to RCA input jack A, but do not connect a plug to RCA input jack B.



Two-channel (Stereo)

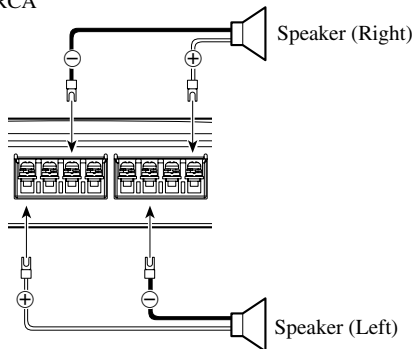
Input select switch is on the top of the unit. Slide this switch to the left.

RCA input jack A
In the case of two-channel mode connect RCA plugs to the RCA input jack A.



Connecting wire with RCA plugs (sold separately)

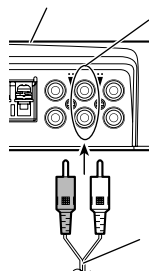
From car stereo (RCA output)



Two-channel (Mono)

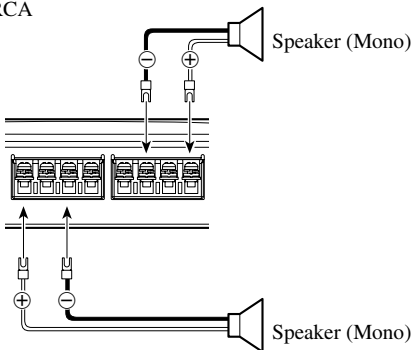
Input select switch is on the top of the unit. Slide this switch to the left.

RCA input jack A
In the case of two-channel mode connect RCA plugs to the RCA input jack A.



Connecting wire with RCA plugs (sold separately)

From car stereo (RCA output)



CAUTION

- Do not install in:
 - Places where it could injure the driver or passengers if the vehicle stops suddenly.
 - Places where it may interfere with the driver, such as on the floor in front of the driver's seat.
- Make sure that wires are not caught in the sliding mechanism of the seats, resulting in a short-circuit.
- Confirm that no parts are behind the panel when drilling a hole for installation of the amplifier. Protect all cables and important equipment such as fuel lines, brake lines and electrical wiring from damage.
- Install tapping screws in such a way that the screw tip does not touch any wire. This is important to prevent wires from being cut by vibration of the car, which can result in fire.
- DO NOT allow amplifier to come into contact with liquids due to, for example, the location where the amplifier is installed. Electrical shock could result. Also, amplifier and speaker damage, smoke, and overheating could result from contact with liquids. In addition, the amplifier surface and the surface of any attached speakers could become hot to the touch and minor burns could result.
- To ensure proper installation, use the supplied parts in the manner specified. If any parts other than the supplied ones are used, they may damage internal parts of the amplifier, or they may become loose causing the amplifier to shut down.
- Never replace the fuse with one of greater value or rating than the original fuse. Use of an improper fuse could result in overheating and smoke and could cause damage to the product and injury including burns.

CAUTION:

To prevent malfunction and/or injury

- To ensure proper heat dissipation of the amplifier, be sure of the following during installation.
 - Allow adequate space above the amplifier for proper ventilation.
 - Do not cover the amplifier with a floor mat or carpet.
- DO NOT allow amplifier to come into contact with liquids due to, for example, the location where the amplifier is installed. Electrical shock could result. Also, amplifier and speaker damage, smoke, and overheating could result from contact with liquids. In addition, the amplifier surface and the surface of any attached speakers could

become hot to the touch and minor burns could result.

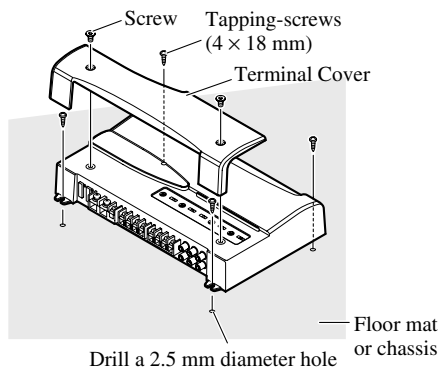
- Do not install the amplifier on unstable places such as the spare tire board.
- The best location for installation differs with the car model and installation location. Secure the amplifier at a sufficiently rigid location.
- Make temporary connections first and check that the amplifier and the system operate properly.
- After installing the amplifier, confirm that the spare tire, jack and tools can be easily removed.

Example of installation on the floor mat or on the chassis

1. Place the amplifier where it is to be installed. Insert the supplied tapping screws (4×18 mm) into the screw holes. Push on the screws with a screwdriver so they make marks where the installation holes are to be located.
2. Drill 2.5 mm diameter holes at the point marked, and install the amplifier, either on the carpet or directly to the chassis.

Replacing the terminal cover

1. Align the unit and terminal cover, and insert the screw.
2. Tighten the screw with a 4 mm hexagonal wrench (not supplied).



Specifications

Power source	14.4 V DC (10.8 V to 15.1 V allowable)
Grounding system	Negative type
Current consumption	27.7 A (at continuous power, 4 Ω)
Average current drawn*	10.4 A (4 Ω for four channels) 20.2 A (4 Ω for two channels) 20.2 A (2 Ω for four channels)
Fuse	30 A \times 2
Dimensions	304 (W) \times 56 (H) \times 202 (D) mm
Weight	3.0 kg (Leads for wiring not included)
Maximum power output	150 W \times 4 (4 Ω) / 600 W \times 2 (4 Ω)
Continuous power output	75 W \times 4 (at 14.4 V, 4 Ω , 20 Hz to 20 kHz 1.0% THD) 300 W \times 2 (at 14.4 V, 4 Ω , 1 kHz 1.0% THD) 150 W \times 4 (at 14.4 V, 2 Ω , 1 kHz 1.0% THD)
Load impedance	4 Ω (2 Ω to 8 Ω allowable) (Bridge connection: 4 Ω to 8 Ω allowable)
Frequency response	10 Hz to 40 kHz (+0 dB, -3 dB)
Signal-to-noise ratio	100 dB (IEC-A network)
Distortion	0.005 % (10 W, 1 kHz)
Separation	70 dB (1 kHz)
Low pass filter	Cut off frequency: 40 Hz to 120 Hz Cut off slope: -12 dB/oct
High pass filter	Cut off frequency: 40 Hz to 120 Hz Cut off slope: -12 dB/oct
Gain control	RCA: 400 mV to 6.5 V Speaker: 1.6 V to 26 V
Maximum input level / impedance	RCA: 6.5 V / 22 k Ω Speaker: 26 V / 90 k Ω

Note:

- Specifications and the design are subject to possible modification without notice due to improvements.

*Average current drawn

- The average current drawn is nearly the maximum current drawn by this unit when an audio signal is input. Use this value when working out total current drawn by multiple power amplifiers.

Antes de usar este producto	1
Registro del producto	1
En caso de desperfectos	2
PRECAUCION	2
PRECAUCION	2
ADVERTENCIA	2
Ajuste de esta unidad	3
Cubierta de terminales	3
Control de frecuencia de corte	3
Interruptor de entrada	3
Interruptor BFC (Control de la frecuencia de batido)	3
Interruptor de selección LPF (Filtro de paso bajo)/HPF (Filtro de paso alto)	4
Interruptor de selección de entrada	4
Indicador de alimentación	4
Control de ganancia	4
Conexión de la unidad	5
Diagrama de conexión	6
Conexión del terminal de alimentación	7
Conexión del terminal de salida de altavoz	8
Uso de la entrada de altavoz	8
Conexión de los altavoces y cables de entrada	9
Instalación	11
Ejemplo de instalación en la alfombra del piso o en el chasis	12
Recolocación de la cubierta de terminales	12
Especificaciones	13

Muchas gracias por la adquisición de este producto PIONEER. Antes de tratar de operarlo, lea atentamente este manual.



Si desea deshacerse de este producto, no lo mezcle con los residuos generales de su hogar. De conformidad con la legislación vigente, existe un sistema de recogida distinto para los productos electrónicos que requieren un procedimiento adecuado de tratamiento, recuperación y reciclado.

Las viviendas privadas en los 25 estados miembros de la UE, en Suiza y Noruega pueden devolver gratuitamente sus productos electrónicos usados en las instalaciones de recolección previstas o bien en las instalaciones de minoristas (si adquieren un producto similar nuevo). En el caso de los países que no se han mencionado en el párrafo anterior, póngase en contacto con sus autoridades locales a fin de conocer el método de eliminación correcto.

Al actuar siguiendo estas instrucciones, se asegurará de que el producto de desecho se somete a los procesos de tratamiento, recuperación y reciclaje necesarios, con lo que se previenen los efectos negativos potenciales para el entorno y la salud humana.

Registro del producto

Visítenos en el siguiente sitio:



Registre su producto. Conservaremos los datos de su compra archivados para que pueda consultar esta información en caso de que deba efectuar un reclamo a la compañía de seguros por pérdida o robo.

En caso de desperfectos

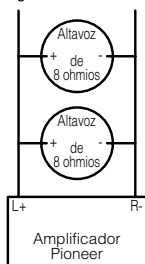
Si esta unidad no funciona correctamente, póngase en contacto con su distribuidor o con el Centro de Servicio PIONEER autorizado más cercano.

⚠ PRECAUCIÓN

No reemplace nunca el fusible por uno con un valor de régimen mayor que el fusible original. El uso de un fusible inadecuado podría causar el sobrecalentamiento o humo, así como podría causar daños al producto y lesiones, incluyendo quemaduras.

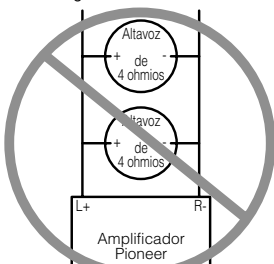
⚠ PRECAUCIÓN

Diagrama A - Correcto



Modo de conexión en puente de 4 ohmios

Diagrama B - Incorrecto



Modo de conexión en puente de 2 ohmios

NO instale o use el amplificador Pioneer mediante la conexión de los cables de las bocinas de 4 ohmios nominales (o menos) en paralelo para lograr un modo en puente de 2 ohmios (o menos) (Diagrama B).

Realizar un puente incorrecto podría resultar en un sobrecalentamiento y daño del amplificador, así como en un desprendimiento de humo del mismo. La superficie del amplificador podría también ponerse caliente al tacto y resultar en quemaduras ligeras.

Para instalar o usar adecuadamente el modo de puente para un amplificador de dos canales y lograr una carga de 4 Ω , conecte los cables de dos bocinas de 8 Ω en paralelo con Izquierdo + y Derecho - (Diagrama A), o use una sola bocina de 4 Ω . Para un amplificador de cuatro canales, siga el diagrama de la conexión de salida de la bocina para crear un puente como se muestra en la parte posterior del amplificador, y conecte los cables de dos bocinas de 8 Ω en paralelo para lograr una carga de 4 Ω o use una sola bocina de 4 Ω por canal.

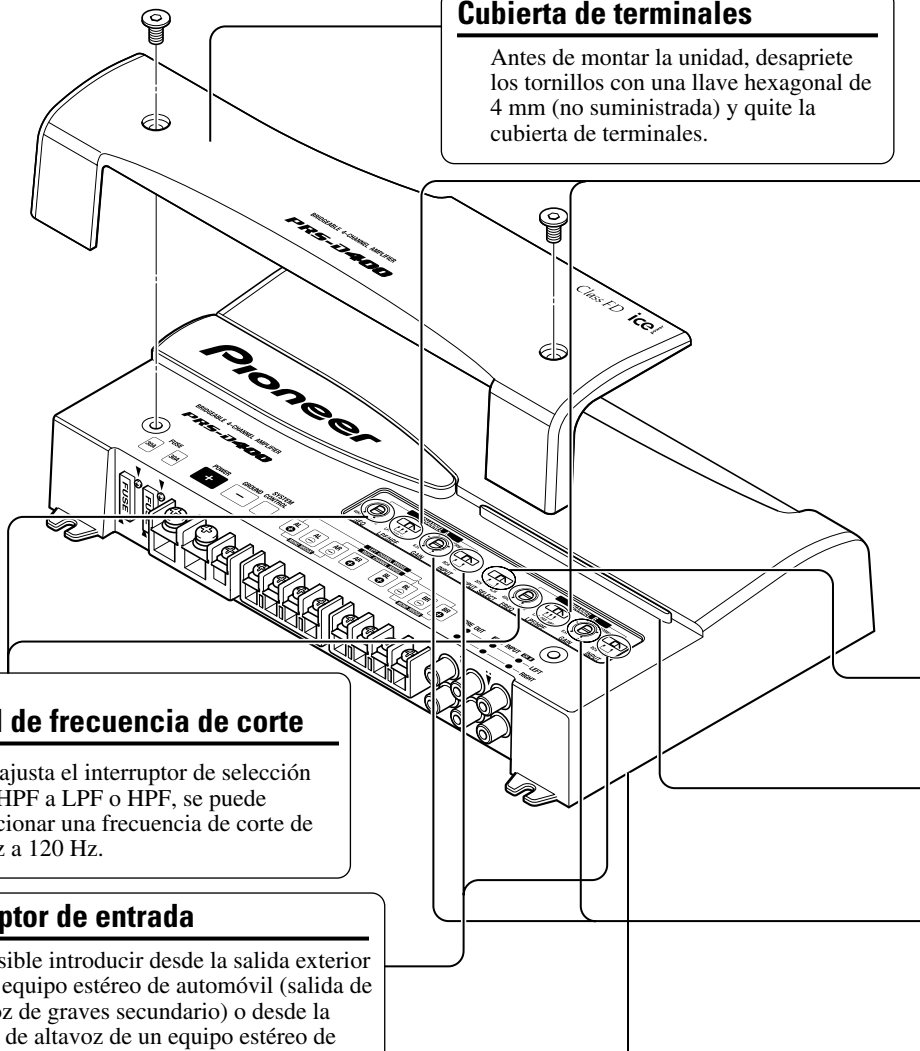
Si tiene preguntas o dudas, comuníquese con el distribuidor Pioneer autorizado en su localidad o llame al Servicio al Cliente de Pioneer.

ADVERTENCIA

- Siempre utilice el cable de batería rojo especial y el cable de tierra [RD-223], vendidos separadamente. Conecte el cable de batería directamente al terminal positivo de la batería del vehículo (+) y el cable de tierra a la carrocería del vehículo.
- No toque en el amplificador con las manos mojadas. Caso contrario, usted puede llevar un choque eléctrico. Igualmente, no toque en el amplificador cuando esté mojado.
- Para seguridad del tráfico y para mantener condiciones de conducción seguras, mantenga el volumen suficientemente bajo de manera que aun se pueda escuchar el sonido del tráfico normal.
- Verifique las conexiones del suministro de energía y altavoces para ver si el fusible del cable de batería vendido separadamente o el fusible del amplificador se queman. Detecte la causa y solución e problema, y reemplace el fusible con un otro del mismo tamaño y régimen.
- Para evitar mal funcionamiento del amplificador y altavoces, el circuito de protección cortará la alimentación al amplificador (el sonido se detendrá) cuando se produzca una situación anormal. En tal caso, apague el sistema y verifique la conexión de la alimentación y altavoces. Detecte la causa y resuelva el problema.
- Contacte a su distribuidor si no puede detectar la causa.
- Para evitar choques eléctricos o cortocircuitos durante la conexión e instalación, asegúrese de desconectar el terminal negativo (-) de la batería antes de proceder.
- Confirme que ninguna parte quede detrás del panel, cuando perforo un orificio para la instalación del amplificador. Asegúrese de proteger todos los cables y equipos importantes, tales como líneas de combustibles, líneas de frenos y el cableado eléctrico.
- NO permita que el amplificador entre en contacto con líquidos debido a, por ejemplo, la localización donde el amplificador esté instalado. Esto podría causar una sacudida eléctrica. El contacto con líquidos también podría causar daños y sobrecalentamiento al amplificador e altavoces. Además, la superficie del amplificador y la superficie de cualquier altavoz instalado también podrían ponerse muy calientes al tacto, pudiendo causar pequeñas quemaduras.

Cubierta de terminales

Antes de montar la unidad, desapríete los tornillos con una llave hexagonal de 4 mm (no suministrada) y quite la cubierta de terminales.



Control de frecuencia de corte

Si se ajusta el interruptor de selección LPF/HPF a LPF o HPF, se puede seleccionar una frecuencia de corte de 40 Hz a 120 Hz.

Interruptor de entrada

Es posible introducir desde la salida exterior de un equipo estéreo de automóvil (salida de altavoz de graves secundario) o desde la salida de altavoz de un equipo estéreo de automóvil. Cuando utilice una salida exterior (salida de altavoz de graves secundario), deslice el interruptor hacia la izquierda. Para las instrucciones de instalación, consulte la sección "Diagrama de conexión". Cuando utilice una salida de altavoz, deslice el interruptor hacia la derecha. En este caso, es necesario utilizar el hilo de entrada de altavoz suministrado con el cable con conector RCA. Para los detalles, consulte la sección "Uso de la entrada de altavoz".

Interruptor BFC (Control de la frecuencia de batido)

El interruptor BFC se encuentra en la parte inferior de la unidad. Si se oye un batido durante la escucha de una transmisión MW/LW con el equipo estéreo de automóvil, cambie el interruptor BFC utilizando un destornillador pequeño.

Interruptor de selección LPF (Filtro de paso bajo)/HPF (Filtro de paso alto)

Ajuste el interruptor de selección LPF/HPF de la manera siguiente, de acuerdo al tipo de altavoz que se encuentra conectado al conector de salida de altavoz y al sistema estéreo de automóvil:

Interruptor de selección LPF/HPF	Gama de frecuencia de audio a ser generada	Tipo de altavoz	Observaciones
LPF (izquierda)	* — 40 Hz a 120 Hz	Altavoz de graves secundario	Conecte a un altavoz de graves secundario.
OFF (central)	Gama completa	Gama completa	
HPF (derecha)	* 40 Hz a 120 Hz —	Gama completa	Utilice si desea cortar la gama de frecuencia* muy baja debido a que no es necesaria para el altavoz que está usando.

* Consulte a “Control de frecuencia de corte”.

Indicador de alimentación

El indicador de alimentación se ilumina cuando la unidad se encuentra activada.

Interruptor de selección de entrada

Para la entrada de dos canales, deslice este interruptor hacia la izquierda. Para la entrada de cuatro canales, deslice este interruptor hacia la derecha.

Control de ganancia

El ajuste de los controles de ganancia A y B le ayuda a igualar la salida del equipo estéreo para automóvil al amplificador Pioneer. Normalmente, ajuste los controles de ganancia a la posición NORMAL. Si la potencia de salida está baja aún cuando se aumenta el volumen del equipo estéreo del automóvil, gire esos controles a la derecha. Si se produce distorsión cuando se aumenta el volumen del equipo estéreo de automóvil, gire los controles a la izquierda.

- Si se usa solamente un enchufe de entrada, ajuste los controles de ganancia para las salidas de altavoz A y B a la misma posición.
- Cuando se usa un estéreo de automóvil equipado con RCA (salida estándar de 500 mV), ajuste a la posición NORMAL. Cuando use con un estéreo de automóvil Pioneer equipado con RCA con una salida máxima de 4 V o más, ajuste el nivel para adecuarse al nivel de salida del estéreo del automóvil.

PRECAUCION

- Quite el terminal negativo (–) de la batería para evitar riesgo de cortocircuitos y daño a la unidad.
- Asegure el alambrado con abrazaderas de cable o cinta adhesiva. Para proteger el alambrado, envuelva cinta adhesiva alrededor de ellos en donde contacta con partes metálicas.
- No tienda cables por donde puedan calentarse, por ejemplo donde el calentador sople sobre ellos. Si la aislación se calienta, podría resultar dañada, resultando en cortocircuito a través de la carrocería del vehículo.
- Asegúrese que los alambres no interfieran con partes móviles del vehículo como la palanca de cambios, el freno de mano o el mecanismo de deslizamiento de los asientos.
- No corte ningún cable. De otra manera, el circuito de protección podría no funcionar cuando debiera.
- Nunca alimente otro equipo cortando la aislación del cable de alimentación y conectándolo al cable. La capacidad de corriente del cable será excedida, causando sobrecalentamiento.
- No reemplace nunca el fusible por uno con un valor de régimen mayor que el fusible original. El uso de un fusible inadecuado podría causar el sobrecalentamiento o humo, así como podría causar daños al producto y lesiones, incluyendo quemaduras.

PRECAUCION:

Para evitar daños y/o lesiones

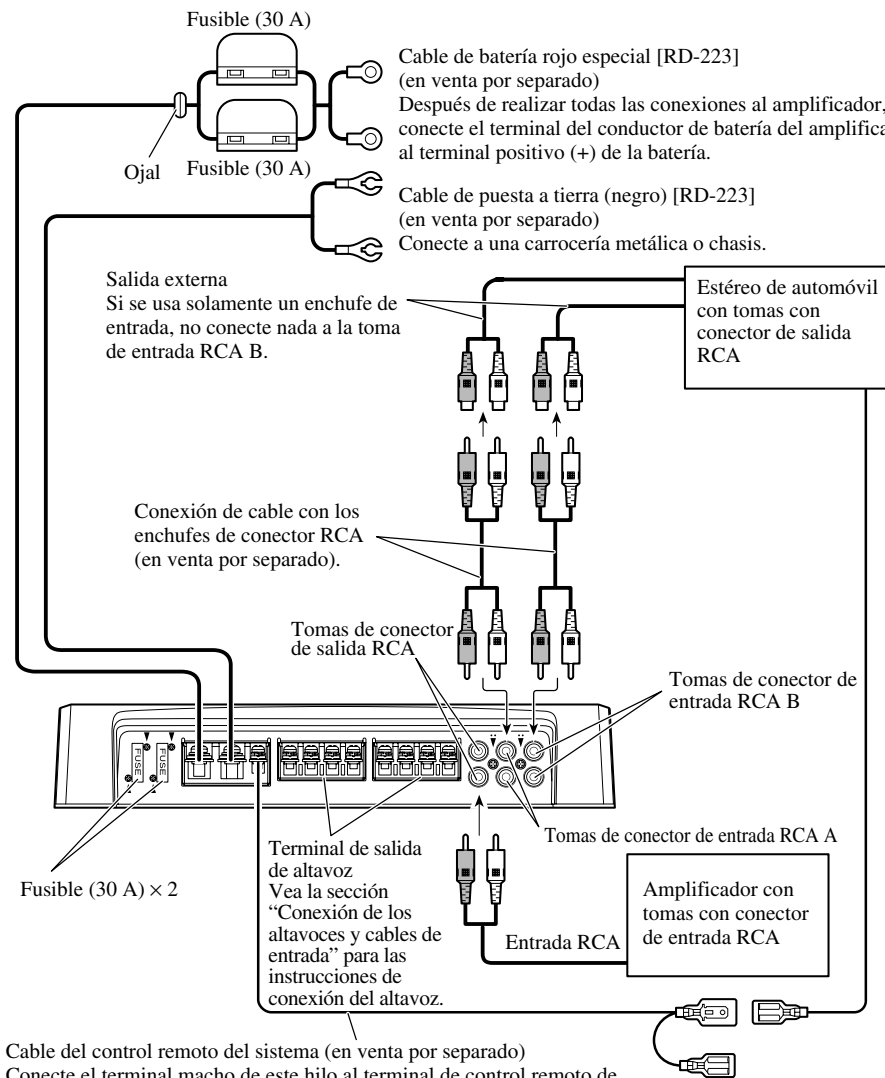
- No conecte a tierra (masa) el cable del altavoz directamente ni conecte un cable negativo (–) a varios altavoces.
- Esta unidad es para vehículos con una batería de 12 voltios y terminal negativo a tierra. Antes de instalar en un vehículo de recreación, camión u ómnibus, verifique el voltaje de la batería.
- Si el sistema estereofónico del coche está funcionando por un largo período de tiempo mientras el motor permanece inactivo o en marcha al ralentí, la batería puede agotarse. Apague el estéreo de automóvil cuando el motor se encuentre funcionando en marcha al ralentí o permanece inactivo.
- Si el cable del control remoto de sistema del amplificador se conecta al terminal de alimentación a través del interruptor de encendido (12 V de CC), el amplificador estará siempre activado cuando el encendido está activado, sin considerar de si el estéreo de automóvil se encuentra activado o desactivado. Debido a esto, la batería puede agotarse si deja el motor funcionando en marcha al ralentí o permanece inactivo.
- Los altavoces a ser conectados al amplificador deben estar conforme con las normas listadas debajo. Si no cumplen con las normas, pueden combustionar, emitir humos o dañarse. El impedimento altavoz debe estar de 2 a 8 ohms, pero en caso de que dos canales y otros puentes contacten, el impedimento de altavoz debe estar de 4 a 8 ohms.
- Instale y coloque el cable de batería vendido separadamente lo más alejado posible de los cables de los altavoces. Instale y coloque el cable de batería y cable de tierra vendidos separadamente, los cables de los altavoces, y el amplificador lo más alejados posible de la antena, cable de antena y sintonizador.

• Los cables para esta unidad y aquéllas para las unidades pueden ser de colores diferentes aun si tienen la misma función. Cuando se conecta esta unidad a otra, refiérase a los manuales de instalación de ambas unidades y conecte los cables que tienen la misma función.

Canal de altavoces	Tipo de altavoz	Alimentación
Cuatro canales	Altavoz de graves secundario	Entrada nominal: 75 W mín.
	Diferente a un altavoz de graves secundario	Entrada máxima: 150 W mín.
Dos canales	Altavoz de graves secundario	Entrada nominal: 300 W mín.
	Diferente a un altavoz de graves secundario	Entrada máxima: 600 W mín.
Salida de altavoz A de tres canales	Altavoz de graves secundario	Entrada nominal: 75 W mín.
	Diferente a un altavoz de graves secundario	Entrada máxima: 150 W mín.
Salida de altavoz B de tres canales	Altavoz de graves secundario	Entrada nominal: 300 W mín.
	Diferente a un altavoz de graves secundario	Entrada máxima: 600 W mín.

Diagrama de conexión

- Este diagrama muestra las conexiones utilizando la salida exterior (salida de altavoz de graves secundario). Deslice el interruptor de entrada hacia la izquierda.
- Cuando conecte con la salida de altavoz, las conexiones difieren de las indicadas en el diagrama. Para los detalles, consulte la sección “Uso de la entrada de altavoz”. En cualquier caso, se requiere ajustar el interruptor de entrada. Para los detalles, consulte la sección “Ajuste de esta unidad”.



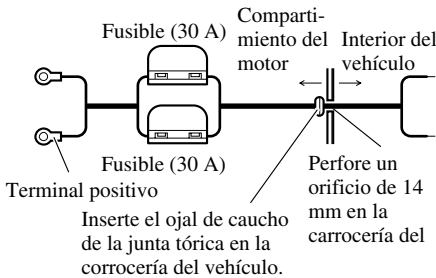
Cable del control remoto del sistema (en venta por separado)
Conecte el terminal macho de este hilo al terminal de control remoto de sistema del equipo estéreo para automóvil (SYSTEM REMOTE CONTROL). El terminal hembra puede ser conectado al terminal de control del relé de antena. Si el estéreo de automóvil no tiene un terminal de control remoto del sistema, conecte el terminal macho al terminal de alimentación a través del interruptor de encendido.

Conexión del terminal de alimentación

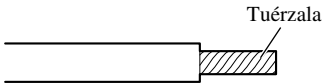
- Siempre utilice el cable de batería rojo especial y el cable de tierra [RD-223], vendidos separadamente. Conecte el cable de batería directamente al terminal positivo de la batería del vehículo (+) y el cable de tierra a la carrocería del vehículo.

1. Pase el cable de batería desde el compartimiento del motor al interior del vehículo.

- Luego de hacer todas las otras conexiones al amplificador, conecte el terminal del conductor de batería del amplificador al terminal positivo (+) de la batería.

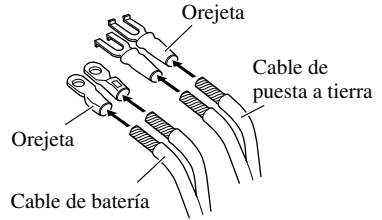


2. Tuerza el cable de batería, cable de puesta a tierra y cable de control remoto del sistema.



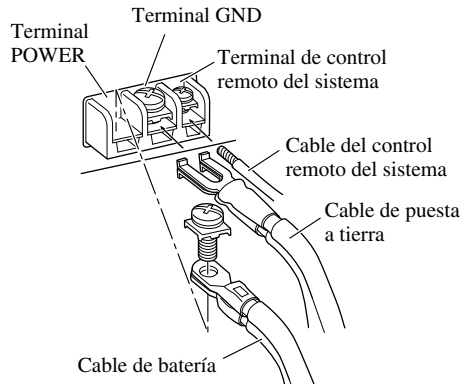
3. Fije las orejetas a los extremos de los cables. Orejetas no suministrados.

- Utilice alicates, etc. para plegar las orejetas a los cables.



4. Conecte los cables al terminal.

- Fijar los cables firmemente utilizando los tornillos para terminales.

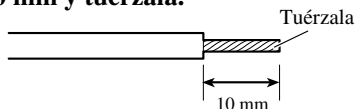


⚠ ADVERTENCIA

Dejar de apretar firmemente el cable de puesta a tierra al terminal usando los tornillos para terminales podría causar el sobrecalentamiento del área de los terminales, así como podría causar daños y lesiones incluyendo pequeñas quemaduras.

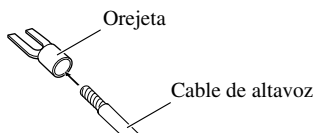
Conexión del terminal de salida de altavoz

1. **Desnude la extremidad de los cables de altavoces utilizando alicates o una tajadera por aproximadamente 10 mm y tuérzala.**



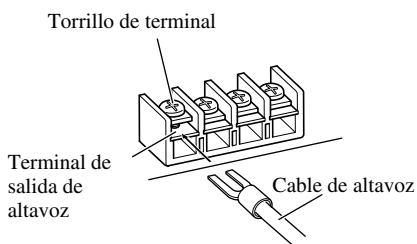
2. **Fije las orejetas a los extremos de los cables de altavoz. Orejetas no suministrados.**

- Utilice alicates, etc. para plegar las orejetas a los cables.



3. **Conecte los cables de altavoz al terminal de salida de altavoz.**

- Fije los cables firmemente utilizando los tornillos para terminales.



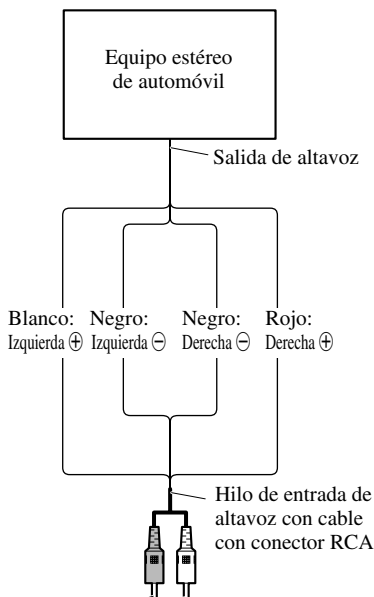
Uso de la entrada de altavoz

Conecte los hilos de salida de altavoz del equipo estéreo de automóvil al amplificador utilizando el hilo de entrada de altavoz suministrado con el cabo con conector RCA.

- Deslice el interruptor de entrada hacia la derecha.

- Para la entrada de cuatro canales, conecte dos hilos de entrada de altavoz con el cable con conector RCA a las tomas de entrada RCA A y B. Asegúrese de deslizar el interruptor de selección de entrada hacia la derecha.
- Para la entrada de dos canales, conecte el hilo de entrada de altavoz con cable con conector RCA a la toma de entrada RCA A. No conecte nada a la toma de entrada RCA B. Asegúrese de deslizar el interruptor de selección de entrada hacia la izquierda.

■ Conexiones cuando se utiliza la entrada de altavoz



A la toma de entrada RCA de esta unidad.

- Cuando se conecta el hilo de salida de altavoz del equipo estéreo de automóvil al amplificador, el amplificador se enciende automáticamente cuando se enciende el equipo estéreo de automóvil. En este caso, no es necesario conectar el hilo de control remoto de sistema.

Nota:

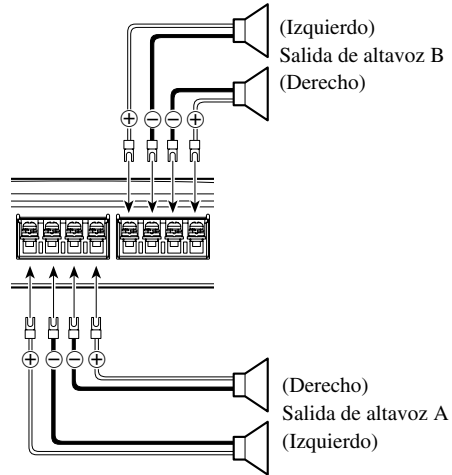
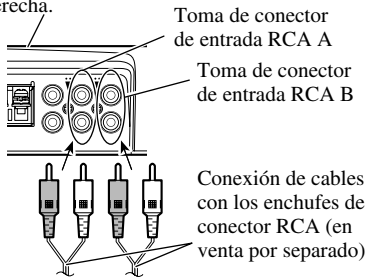
- Conecte el hilo de control remoto de sistema cuando el amplificador no se enciende cuando se enciende el equipo estéreo de automóvil.

Conexión de los altavoces y cables de entrada

El modo de salida de altavoz puede ser de cuatro canales, tres canales (estéreo + mono) o dos canales (estéreo, mono). Conecte los cables de altavoz para ajustarse al modo según los diagramas mostrados abajo.

Cuatro canales

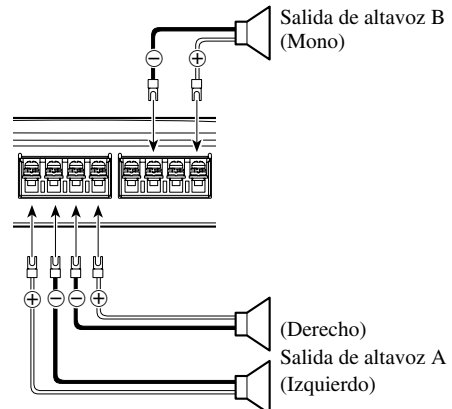
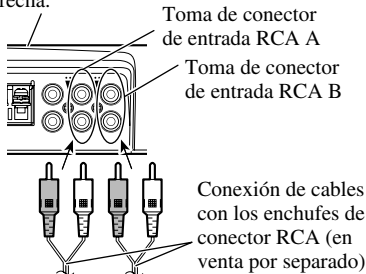
El interruptor de selección de entrada se encuentra en la parte superior de la unidad. Para la entrada de dos canales, deslice este interruptor hacia la izquierda. Para la entrada de cuatro canales, deslice este interruptor hacia la derecha.



Desde el sistema estereofónico del coche (salida RCA) Si se usa solamente un enchufe de entrada, como en el caso de una sola salida (salida RCA), conecte el enchufe a la toma de conector de entrada RCA A, pero no conecte un enchufe a la toma de conector de entrada RCA B.

Tres canales

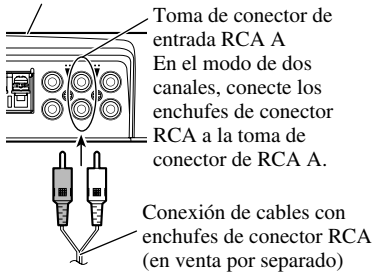
El interruptor de selección de entrada se encuentra en la parte superior de la unidad. Para la entrada de dos canales, deslice este interruptor hacia la izquierda. Para la entrada de cuatro canales, deslice este interruptor hacia la derecha.



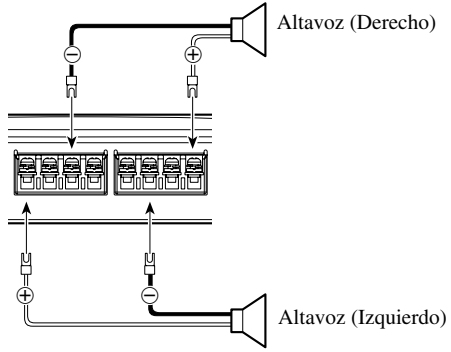
Desde el sistema estereofónico del coche (salida RCA) Si se usa solamente un enchufe de entrada, como en el caso de una sola salida (salida RCA), conecte el enchufe a la toma de conector de entrada RCA A, pero no conecte un enchufe a la toma de conector de entrada RCA B.

Dos canales (estéreo)

El interruptor de selección de entrada se encuentra en la parte superior de la unidad. Deslice este interruptor hacia la izquierda.

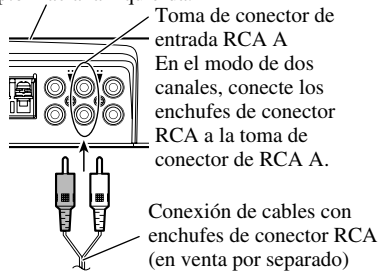


Desde el sistema estereofónico del coche (salida RCA)

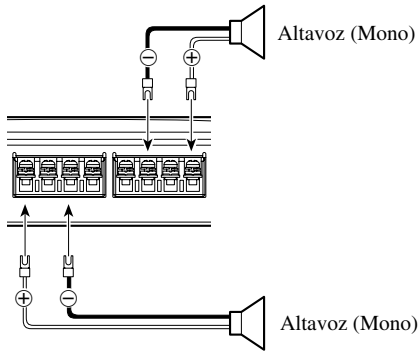


Dos canales (mono)

El interruptor de selección de entrada se encuentra en la parte superior de la unidad. Deslice este interruptor hacia la izquierda.



Desde el sistema estereofónico del coche (salida RCA)





PRECAUCION

- No lo instale en:
 - Donde podría lesionar al conductor o a los pasajeros si se detiene el vehículo bruscamente.
 - Donde podría interferir con el conductor, como por ejemplo en el piso en frente al asiento del conductor.
- Asegúrese que los cables no se enganchen en el mecanismo deslizante de los asientos, resultando en cortocircuito.
- Confirme que ninguna parte quede detrás del panel, cuando perforo un orificio para la instalación del amplificador. Asegúrese de proteger todos los cables y equipos importantes, tales como líneas de combustibles, líneas de frenos y el cableado eléctrico.
- Instale los tornillos de conexión de manera tal que la punta del tornillo no toque ningún cable. Esto es importante para evitar que los cables se corten por vibración del automóvil, lo que podría causar un incendio.
- NO permita que el amplificador entre en contacto con líquidos debido a, por ejemplo, la localización donde el amplificador esté instalado. Esto podría causar una sacudida eléctrica. El contacto con líquidos también podría causar daños y sobrecalentamiento al amplificador e altavoces. Además, la superficie del amplificador y la superficie de cualquier altavoz instalado también podrían ponerse muy calientes al tacto, pudiendo causar pequeñas quemaduras.
- Para asegurar una instalación apropiada, utilice las partes suministradas de la manera especificada. Si se utiliza cualquier otra parte que no sean las suministradas, puede dañarse las partes internas del amplificador, o pueden aflojarse y el amplificador puede dejar de funcionar.
- No reemplace nunca el fusible por uno con un valor de régimen mayor que el fusible original. El uso de un fusible inadecuado podría causar el sobrecalentamiento o humo, así como podría causar daños al producto y lesiones, incluyendo quemaduras.



PRECAUCION:

Para evitar fallas de funcionamiento y/o lesiones

- Para asegurar la disipación de calor apropiada del amplificador, cuide de lo siguiente durante la instalación.
 - Permita un espacio adecuado en la parte superior del amplificador para una ventilación apropiada.
 - No cubra el amplificador con la cubierta de piso o alfombra.

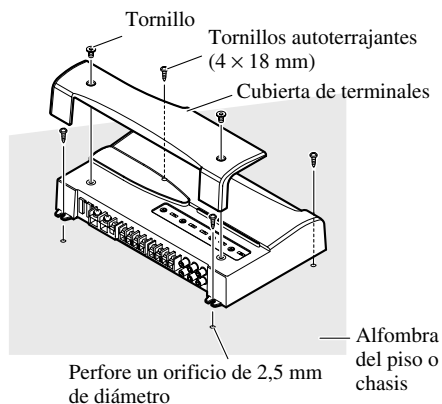
- NO permita que el amplificador entre en contacto con líquidos debido a, por ejemplo, la localización donde el amplificador esté instalado. Esto podría causar una sacudida eléctrica. El contacto con líquidos también podría causar daños y sobrecalentamiento al amplificador e altavoces. Además, la superficie del amplificador y la superficie de cualquier altavoz instalado también podrían ponerse muy calientes al tacto, pudiendo causar pequeñas quemaduras.
- No instale el amplificador sobre superficies inestables como el tablero del neumático de repuesto.
- Confirme que ninguna parte quede detrás del panel, cuando perforo un orificio para la instalación del amplificador. Asegúrese de proteger todos los cables y equipos importantes, tales como líneas de combustibles, líneas de frenos y el cableado eléctrico.
- Realice primero conexiones provisionarias y compruebe que el amplificador y el sistema operan adecuadamente.
- Para asegurar una instalación apropiada, utilice las partes suministradas de la manera especificada. Si se utiliza cualquier otra parte que no sean las suministradas, puede dañarse las partes internas del amplificador, o pueden aflojarse y el amplificador puede dejar de funcionar.

Ejemplo de instalación en la alfombra del piso o en el chasis

1. Ubique el amplificador en la posición en donde va a ser instalado. Inserte los tornillos autoterrajantes suministrados (4×18 mm) en los orificios de los tornillos. Presione los tornillos con un destornillador de modo que puedan dejar puntos marcados de la posición en donde irán los orificios para la instalación.
2. Perfore orificios de 2,5 mm de diámetro en el punto marcado, e instale el amplificador, ya sea en la alfombra o directamente en el chasis.

Recolocación de la cubierta de terminales

1. Alinee la unidad y la cubierta de terminales, e inserte el tornillo.
2. Apriete el tornillo con una llave hexagonal de 4 mm (no suministrada).



Especificaciones

Alimentación	14,4 V CC (10,8 V a 15,1 V permisible)
Sistema de puesta a tierra	Tipo negativo
Consumo de corriente	27,7A (potencia continua, 4 Ω)
Consumo de corriente promedio*	10,4 A (4 Ω para cuatro canales) 20,2 A (4 Ω para dos canales) 20,2 A (2 Ω para cuatro canales)
Fusible	30 A × 2
Dimensiones	304 (An) × 56 (Al) × 202 (Pr) mm
Peso	3,0 kg (No se incluyen los conductores para el cableado)
Potencia de salida máxima	150 W × 4 (4 Ω) / 600 W × 2 (4 Ω)
Potencia de salida continua	75 W × 4 (a 14,4 V, 4 Ω, 20 Hz a 20 kHz 1,0% THD) 300 W × 2 (a 14,4 V, 4 Ω, 1 kHz 1,0% THD) 150 W × 4 (a 14,4 V, 2 Ω, 1 kHz 1,0% THD)
Impedancia de carga	4 Ω (2 Ω a 8 Ω permisible) (Acoplamiento en derivación: 4 Ω a 8 Ω permisible)
Respuesta de frecuencia	10 Hz a 40 kHz (+0 dB, -3 dB)
Relación de señal a ruido	100 dB (IEC-Red A)
Distorsión	0,005 % (10 W, 1 kHz)
Separación de canales	70 dB (1 kHz)
Filtro de paso bajo	Frecuencia de corte: 40 Hz a 120Hz Pendiente de corte: -12 dB/oct
Filtro de paso alto	Frecuencia de corte: 40 Hz a 120 Hz Pendiente de corte: -12 dB/oct
Control de ganancia	RCA: 400 mV a 6,5 V Altavoz: 1,6 V a 26 V
Impedancia / nivel de entrada máxima	RCA: 6,5 V / 22 kΩ Altavoz: 26 V / 90 kΩ

Nota:

- Las especificaciones y el diseño están sujetos a posibles modificaciones sin previo aviso debido a mejoramientos.

*Consumo de corriente promedio

- El consumo de corriente promedio es casi el consumo de corriente máximo de esta unidad, cuando se ingresa una señal de audio. Utilice este valor cuando tenga que trabajar con la corriente total consumida por múltiples amplificadores de potencia.

Vor Gebrauch dieses Produkts	1
Produktregistrierung	1
Im Störfall	2
VORSICHT	2
VORSICHT	2
WARNUNG	2
Einstellen dieses Geräts	3
Anschlussabdeckung	3
Ausschaltfrequenz-Regelung	3
Eingangsschalter	3
Interferenzschuttschalter (BFC)	3
LPF (Tiefpassfilter)/HPF (Hochpassfilter)- Wahlschalter	4
Eingangswahlschalter	4
Stromanzeige	4
Verstärkungsregelung	4
Anschluss der Einheit	5
Anschlusschema	6
Anschluss der Stromversorgung	7
Anschluss der Lautsprecher-Ausgang- Klemmen	8
Benutzung des Lautsprecher-Eingangs	8
Anschluss der Lautsprecher und Eingangskabel	9
Einbau	11
Beispiel eines Einbaus auf einer Bodenmatte oder auf dem Rahmen	12
Wiederanbringen der Anschlussabdeckung	12
Technische Daten	13

Vielen Dank für den Kauf dieses PIONEER Produkts. Diese Bedienungsanleitung vor der Inbetriebnahme sorgfältig durchlesen.



Mischen Sie dieses Produkt, wenn Sie es entsorgen wollen, nicht mit gewöhnlichen Haushaltsabfällen. Es gibt ein getrenntes Sammelsystem für gebrauchte elektronische Produkte, über das die richtige Behandlung, Rückgewinnung und Wiederverwertung gemäß der bestehenden Gesetzgebung gewährleistet wird.

Privathaushalte in den 25 Mitgliedsstaaten der EU, in der Schweiz und in Norwegen können ihre gebrauchten elektronischen Produkte an vorgesehenen Sammeleinrichtungen kostenfrei zurückgeben oder aber an einen Händler zurückgeben (wenn sie ein ähnliches neues Produkt kaufen).

Bitte wenden Sie sich in den Ländern, die oben nicht aufgeführt sind, hinsichtlich der korrekten Verfahrensweise der Entsorgung an die örtliche Kommunalverwaltung. Auf diese Weise stellen Sie sicher, dass das zu entsorgende Produkt der notwendigen Behandlung, Rückgewinnung und Wiederverwertung unterzogen wird, und so mögliche negative Einflüsse auf die Umwelt und die menschliche Gesundheit vermieden werden.

Produktregistrierung

Besuchen Sie uns auf folgender Website:



Registrieren Sie Ihr Produkt. Wir speichern die Detaildaten Ihres Produktkaufs in einer Datei, sodass wir Ihnen diese Informationen bei Verlust oder Diebstahl des Produkts jederzeit für Ihre Versicherung bereitstellen können.

Im Störfall

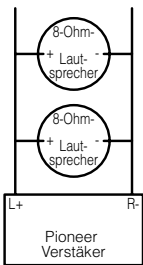
Bei Betriebsstörungen den Händler oder eine PIONEER-Kundendienststelle kontaktieren.

VORSICHT

Ersetzen Sie die Sicherung niemals durch eine mit einem größeren Wert bzw. Nennwert, als die ursprüngliche Sicherung hatte. Der Gebrauch einer falschen Sicherung kann zu Heißlauf, Rauchentwicklung, Beschädigung des Produkts, Verbrennungen und anderen Verletzungen führen.

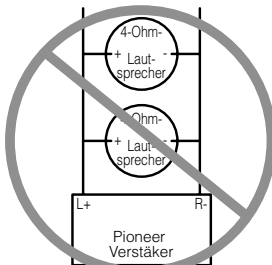
VORSICHT

Diagramm A - Richtig



4-Ohm-Überbrückungsmodus

Diagramm B - Falsch



2-Ohm-Überbrückungsmodus

Den Pioneer-Verstärker NICHT mit parallel verdrahteten Lautsprechern mit einem Nennwiderstand von 4 Ohm (oder darunter) einbauen oder verwenden, um einen Überbrückungsmodus von 2 Ohm (oder darunter) zu erzielen (Diagramm B). Falsche Überbrückung kann den Verstärker beschädigen und zu Rauchbildung und Überhitzung führen. Außerdem kann die Oberfläche des Verstärkers heiß werden und beim Anfassen leichte Verbrennungen verursachen.

Für den korrekten Einbau oder zur Verwendung eines Überbrückungsmodus für einen Zweikanalverstärker und um eine 4-Ω-Last zu erzielen, verdrahten Sie zwei 8-Ω-Lautsprecher parallel mit links+ und rechts- (Diagramm A), oder verwenden Sie einen einzelnen 4-Ω-Lautsprecher. Halten Sie sich für einen Vierkanalverstärker an das Überbrückungsdiagramm für den Lautsprecherausgangsanschluss an der Rückseite des Verstärkers und verdrahten Sie zwei 8-Ω-Lautsprecher parallel, um eine 4-Ω-Last zu erzielen, oder verwenden Sie einen einzelnen 4-Ω-Lautsprecher pro Kanal.

Wenden Sie sich bitte mit allen Fragen an den jeweiligen Pioneer-Vertragshändler oder rufen Sie den Pioneer-Kundenservice an.

WARNUNG

- Nur das getrennt erhältliche rote Spezial-Batterie- und Massekabel [RD-223] verwenden. Das Batteriekaabel direkt an den Pluspol (+) der Wagenbatterie und das Massekabel an Karosseriemasse anschließen.
- Fassen Sie den Verstärker nicht mit nassen Händen an, da Sie anderenfalls einen elektrischen Schlag erleiden können. Berühren Sie den Verstärker auch nicht, wenn dieser nass ist.
- Lassen Sie die Lautstärke so eingestellt, dass Sie beim Fahren noch Verkehrsgeräusche hören können. Es ist gefährlich, ein Fahrzeug zu führen, ohne Verkehrsgeräusche von außen hören zu können.
- Die Anschlüsse der Stromversorgung und der Lautsprecher überprüfen, wenn die Sicherung des getrennt erhältlichen Batteriekaabels oder die Verstärker-Sicherung durchbrennt. Machen Sie die Ursache ausfindig, beheben Sie die Störung, und ersetzen Sie die Sicherung dann durch eine andere mit derselben Größe und demselben Nennwert.
- Zur Vermeidung von Schäden am Verstärker und den Lautsprechern unterbricht eine Schutzschaltung automatisch die Stromversorgung zum Verstärker (der Klang setzt aus), sobald ein anomaler Betriebszustand eintritt. Stellen Sie den Betriebsschalter in diesem Fall auf OFF, und überprüfen Sie die Stromversorgungs- und Lautsprecheranschlüsse. Ermitteln Sie die Ursache des Problems und schaffen Sie umgehend Abhilfe.
- Wenden Sie sich bitte an Ihren Fachhändler, falls sich die Ursache der Störung nicht klären lässt.
- Trennen Sie zur Vermeidung von elektrischen Schlägen und Kurzschlüssen bei der Inbetriebnahme des Gerätes vorher unbedingt das Anschlusskabel vom negativen (-) Batteriepol ab.
- Überzeugen Sie sich, dass sich keine Teile hinter der Konsole befinden, wenn Sie ein Loch zum Einbau des Verstärkers bohren. Achten Sie darauf, dass alle Kabel und wichtigen Teile wie Benzin- und Bremsleitungen und die elektrischen Kabelbäume geschützt sind.
- ACHTEN Sie darauf, dass der Verstärker NICHT mit Flüssigkeiten in Berührung kommen kann, zum Beispiel wegen eines ungünstigen Einbauplatzes. Ein elektrischer Schlag könnte die Folge sein. Berührung mit Flüssigkeiten kann auch zu einer Beschädigung von Verstärker und Lautsprechern, sowie zu Rauchbildung und Überhitzung führen. Außerdem können Oberflächen von Verstärker und jeglicher angebrachter Lautsprecher heiß werden, sodass bei Berührung kleinere Verbrennungen verursacht werden könnten.

Anschlussabdeckung

Vor der Installation lösen Sie die Schrauben mit einem 4-mm-Sechskantschlüssel (nicht mitgeliefert) und nehmen Sie die Anschlussabdeckung ab.

Ausschaltfrequenz-Regelung

Wenn der LPF/HPF-Wahlschalter auf LPF oder HPF gestellt ist, kann eine Ausschaltfrequenz zwischen 40 Hz und 120 Hz gewählt werden.

Eingangsschalter

Eingang von einem externen Auto-Stereo-Ausgang (Subwoofer-Ausgang) oder einem Auto-Stereo-Lautsprecher-Ausgang ist möglich. Zur Verwendung eines externen Ausgangs (Subwoofer-Ausgang) legen Sie den Schalter nach links. Bezüglich Anschlussanweisungen siehe Abschnitt "Anschlussschema". Zur Verwendung eines Lautsprecher-Ausgangs legen Sie den Schalter nach rechts. In diesem Fall muss das mitgelieferte Lautsprecher-Eingangskabel mit RCA-Stiftkabel verwendet werden. Genaueres hierzu finden Sie im Abschnitt "Benutzung des Lautsprecher-Eingangs".

Interferenzschutzschalter (BFC)

Der BFC-Schalter befindet sich an der Unterseite des Geräts. Falls Sie bei MW/LW-Empfang mit Ihrer Auto-Stereoanlage Hintergrundgeräusche vernehmen, stellen Sie den BFC-Schalter mithilfe eines kleinen Schraubendrehers ein.

LPF (Tiefpassfilter)/HPF (Hochpassfilter)-Wahlschalter

Stellen Sie den LPF/HPF-Wahlschalter wie in folgendem Diagramm beschrieben ein, in Abhängigkeit von dem Lautsprechertyp der am Lautsprecher-Ausgangsanschluss und dem Fahrzeugstereo-System vorhanden ist:

LPF/HPF- Wahlschalter	Auszugebender Audio-Frequenz-Bereich	Lautsprecher-Typ	Bemerkungen
LPF (Links)	* — 40 Hz bis 120 Hz	Subwoofer	Schließen Sie einen Subwoofer an.
OFF (Mitte)	Vollbereich	Vollbereich	
HPF (Rechts)	* 40 Hz bis 120 Hz —	Vollbereich	Wenn Sie die sehr niedrigen Frequenzen* ausschalten wollen, da diese für Ihre Lautsprecher nicht notwendig sind.

* Siehe Abschnitt "Ausschaltfrequenz-Regelung".

Eingangswahlschalter

Für Zwei-Kanal-Eingang diesen Schalter nach links legen. Für Vier-Kanal-Eingang diesen Schalter nach rechts legen.

Stromanzeige

Die Stromanzeige leuchtet auf, wenn die Stromversorgung eingeschaltet wird.

Verstärkungsregelung

Durch Einstellung der Verstärkungsregler A und B kann der Ausgang der Auto-Stereo-Anlage dem Pioneer-Verstärker angepasst werden. Normalerweise wird die Verstärkungsregelung auf die Position NORMAL eingestellt. Wenn die Ausgangsleistung niedrig ist, obwohl die Lautstärke der Auto-Stereo-Anlage aufgedreht ist, drehen Sie diese Regler im Uhrzeigersinn. Falls Verzerrungen auftreten, wenn die Lautstärke der Auto-Stereo-Anlage aufgedreht wird, drehen Sie diese Regler im Gegenuhrzeigersinn.

- Falls Sie nur einen Eingangsstecker verwenden, stellen Sie die Verstärkungsregler für die Lautsprecherausgänge A und B auf dieselbe Position ein.
- Bei Gebrauch mit einer mit RCA ausgestatteten Auto-Stereoanlage (Standard-Ausgang 500 mV) auf die Position NORMAL einstellen. Bei Gebrauch mit einer mit RCA ausgestatteten Pioneer-Auto-Stereoanlage mit einem maximalen Ausgang von 4 V oder mehr den Pegel dem Auto-Stereoanlagen-Ausgangspegel anpassen.

VORSICHT

- Trennen Sie das Batterieanschlusskabel vom negativen (-) Batteriepol, um Kurzschlüsse und Schäden am Gerät zu vermeiden.
- Befestigen Sie die Kabel mit Kabelklemmen oder Klebeband. Kabel, die Kontakt mit Metallteilen haben, sollten an den betreffenden Stellen mit Klebeband isoliert werden.
- Vermeiden Sie beim Verlegen der Kabel Plätze, an denen die Kabel Wärmeeinwirkung ausgesetzt sind, wie z.B. in der Nähe der Heizung. Derartige Wärmeeinwirkung kann zu einer Beschädigung der Kabelisolierung und schließlich zu Kurzschlüssen über die Fahrzeugkarosserie führen.
- Achten Sie darauf, dass keines der Kabel bewegliche Fahrzeugteile, wie z.B. den Schalthebel, die Handbremse oder den Sitzverstellhebel, behindert.

- Kürzen Sie die Kabel nicht. Gekürzte Kabel können einen Ausfall der Schutzschaltung verursachen.
- Leiten Sie niemals Strom an andere Geräte, indem Sie die Isolierung des Spannungsversorgungskabels dieses Gerätes freilegen und anzapfen. Die hieraus resultierende Überschreitung der Spannungsbelastungskapazität des Kabels hat Überhitzung zur Folge.
- Ersetzen Sie die Sicherung niemals durch eine mit einem größeren Wert bzw. Nennwert, als die ursprüngliche Sicherung hatte. Der Gebrauch einer falschen Sicherung kann zu Heißlauf, Rauchentwicklung, Beschädigung des Produkts, Verbrennungen und anderen Verletzungen führen.

VORSICHT:

Zur Vermeidung von Schäden und/oder Verletzungen

- Keinesfalls das Lautsprecherkabel direkt erden oder einen negativen Anschluss (-) für mehrere Lautsprecher gleichzeitig anschließen.
- Dieses Gerät ist für Fahrzeuge mit einer 12 Volt Batterie und negativer Erdung bestimmt. Vor dem Einbau in ein Freizeitfahrzeug, Laster oder Bus, die Spannung der Batterie überprüfen.
- Wenn die Autostereoanlage längere Zeit eingeschaltet bleibt, während der Motor nicht oder nur im Leerlauf läuft, so könnte dies zu einer Entladung der Batterie führen. Schalten Sie Ihr Stereogerät aus, wenn der Motor im Leerlauf oder im Stillstand ist.
- Sollte die System-Fernbedienungskabel des Verstärkers am Stromanschluss über den Zündungsschalter angeschlossen sein (12 V Gleichspannung), so ist der Verstärker immer eingeschaltet, wenn die Zündung eingeschaltet wird, unabhängig davon, ob das Stereogerät ein- oder ausgeschaltet ist. In diesem Fall könnte es zu einer Entladung der Batterie kommen, wenn der Motor im Stillstand oder im Leerlauf betrieben wird.

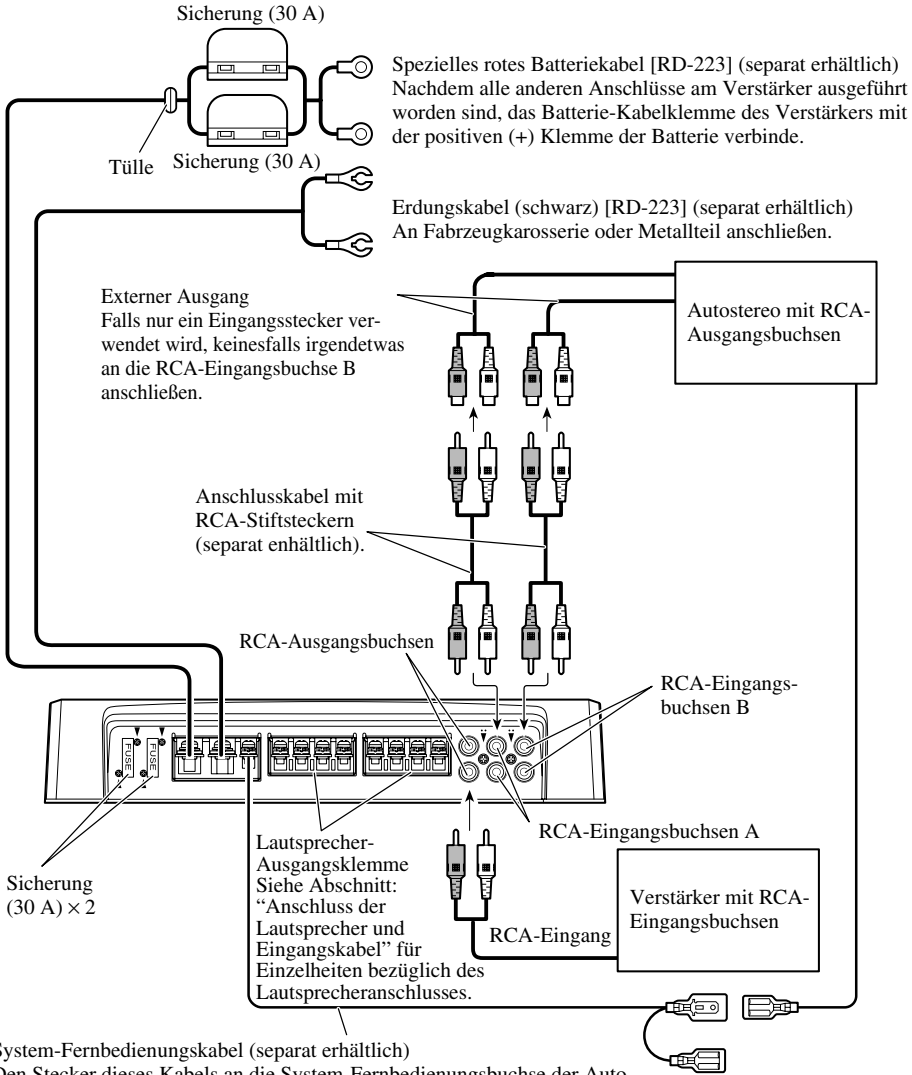
- Die mit dem Verstärker geschalteten Lautsprecher sollten folgenden Kriterien entsprechen. Sonst könnten sie in Brand geraten, Qualm abgeben oder beschädigt werden. Die Impedanz des Lautsprechers muss zwischen 2 und 8 Ohm sein. Trotzdem muss sie bei der Binaural- und anderen Brückenschaltungen zwischen 4 und 8 Ohm sein.
- Das getrennt erhältliche Batteriekabel installieren und möglichst weit von den Lautsprecherkabeln entfernt verlegen. Getrennt erhältliches Batteriekabel, Massekabel, Lautsprecherkabel und Verstärker möglichst weit von Antenne, Antennenkabel und Tuner entfernt installieren/verlegen.

- Kabel dieses Geräts und die anderer Geräte können unterschiedliche Farben haben, auch wenn sie die gleichen Funktionen haben. Beim Anschluss dieses Geräts an ein anderes Gerät unter Bezugnahme auf die mit beiden Geräten mitgelieferten Installationsanleitungen die Kabel mit derselben Funktion verbinden.

Lautsprecherkanal	Lautsprechertyp	Stromversorgung
Vier-Kanal	Subwoofer	Nominaler Eingang: Min. 75 W
	Andere als Subwoofer	Max. Eingang: Min. 150 W
Zwei-Kanal	Subwoofer	Nominaler Eingang: Min. 300 W
	Andere als Subwoofer	Max. Eingang: Min. 600 W
Drei-Kanal-Lautsprecher-Ausgang A	Subwoofer	Nominaler Eingang: Min. 75 W
	Andere als Subwoofer	Max. Eingang: Min. 150 W
Drei-Kanal-Lautsprecher-Ausgang B	Subwoofer	Nominaler Eingang: Min. 300 W
	Andere als Subwoofer	Max. Eingang: Min. 600 W

Anschlussschema

- Dieses Schema zeigt die Anschlüsse für externen Ausgang (Subwoofer-Ausgang). Legen Sie den Eingangsschalter nach links.
- Bei Verbindung mit Lautsprecher-Ausgang unterscheiden sich die Anschlüsse von denen dieses Schemas. Genaueres hierzu finden Sie im Abschnitt "Benutzung des Lautsprecher-Eingangs". Der Eingangsschalter muss in jedem Fall eingestellt werden. Genaueres hierzu finden Sie im Abschnitt "Einstellen dieses Geräts".



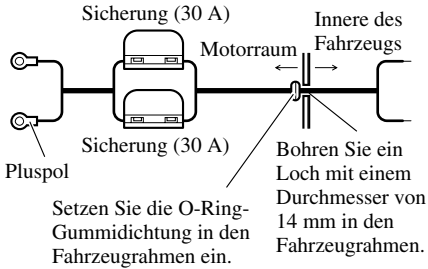
DEUTSCH

Anschluss der Stromversorgung

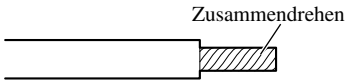
- Nur das getrennt erhältliche rote Spezial-Batterie- und Massekabel [RD-223] verwenden. Das Batterie-kabel direkt an den Pluspol (+) der Wagenbatterie und das Massekabel an Karosseriemasse anschließen.

1. Führen Sie das Batterie-kabel vom Motorraum in den Fahrgastraum.

- Nachdem alle Verkabelungen am Verstärker ausgeführt worden sind, verbinden Sie die Batterie-Kabelklemme des Verstärkers mit der positiven (+) Klemme der Batterie.

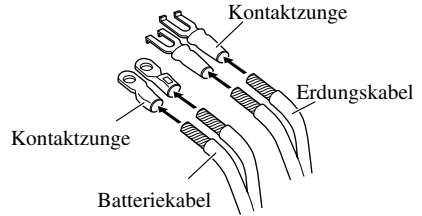


2. Verdrillen Sie Batterie-kabel, Massekabel und System-Fernbedienungskabel.



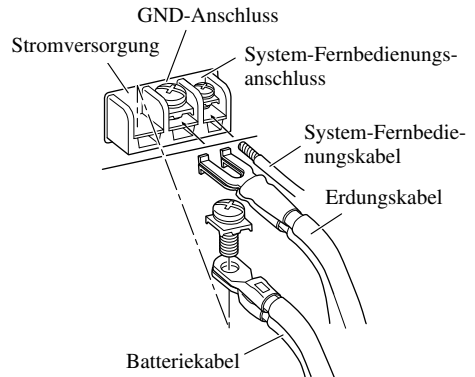
3. Bringen Sie Kabelschuhe an den Kabelenden an. Kontaktzungen nicht mitgeliefert.

- Mit einer Zange o.Ä. die Kontaktzungen am Draht festklemmen.



4. Die Drähte an die Klemme anschließen.

- Befestigen Sie die Drähte sicher mit den Klemmschrauben.

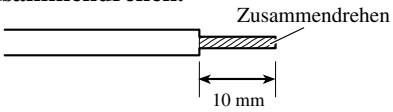


⚠️ WARNUNG

Wenn das Batterie-kabel mit den Klemmschrauben nicht richtig befestigt wird, kann der Klemmenbereich heiß werden, wodurch Schäden und Verletzungen, wie Verbrennungen, verursacht werden können.

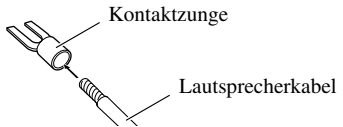
Anschluss der Lautsprecher-Ausgang-Klemmen

- Die Enden der Lautsprecherkabel um ca. 10 mm mit einer Kneifzange oder einem Schneider abisolieren und die Kabelenden zusammendrehen.



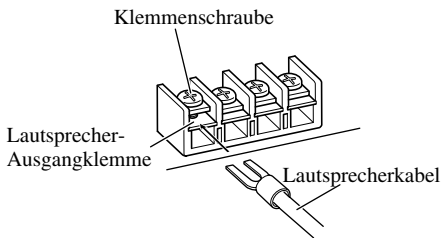
- Bringen Sie Kabelschuhe an den Enden der Lautsprecherkabel an. Kontaktzungen nicht mitgeliefert.

- Mit einer Zange o.Ä. die Kontaktzungen am Draht festklemmen.



- Schließen Sie die Lautsprecherkabel an die Lautsprecherausgangsklemmen an.

- Die Lautsprecherdrähte fest mit den Klemmschrauben befestigen.

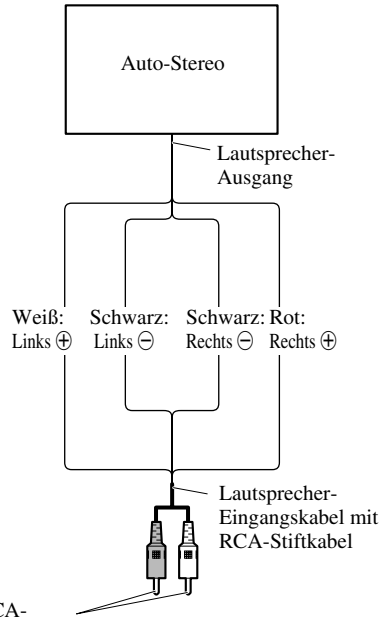


Benutzung des Lautsprecher-Eingangs

Schließen Sie die Auto-Stereo-Lautsprecher-Ausgangskabel mithilfe des mitgelieferten Lautsprecher-Eingangskabels mit RCA-Stiftkabel an den Verstärker an.

- Legen Sie den Eingangsschalter nach rechts.
- Für Vier-Kanal-Eingang schließen Sie zwei Lautsprecher-Eingangskabel mit RCA-Stiftkabel an die RCA-Eingangsbuchse A und B an. Vergewissern Sie sich, dass der Eingangswahlschalter nach rechts gelegt ist.
- Für Zwei-Kanal-Eingang schließen Sie das Lautsprecher-Eingangskabel mit RCA-Stiftkabel an die RCA-Eingangsbuchse A an. An der RCA-Eingangsbuchse B darf kein Anschluss vorgenommen werden. Vergewissern Sie sich, dass der Eingangswahlschalter nach links gelegt ist.

Anschlüsse bei Benutzung des Lautsprecher-Eingangs



An RCA-Eingangsbuchse dieses Geräts.

- Bei Anschluss des Auto-Stereo-Lautsprecher-Ausgangskabels am Verstärker wird dieser automatisch eingeschaltet, wenn die Auto-Stereoanlage eingeschaltet wird. In diesem Fall erübrigt sich der Anschluss des System-Fernbedienungskabels.

Hinweis:

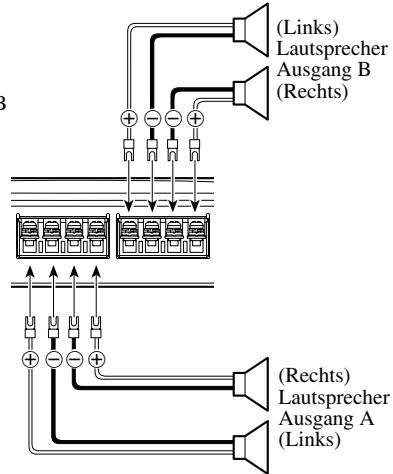
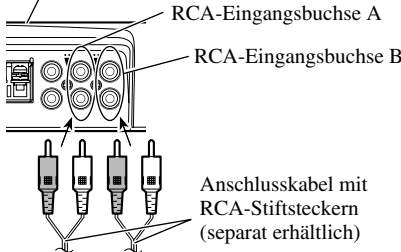
- Schließen Sie das System-Fernbedienungskabel an, wenn der Verstärker nicht automatisch mit der Auto-Stereoanlage eingeschaltet wird.

Anschluss der Lautsprecher und Eingangskabel

Der Lautsprecher-Ausgabe-Modus kann auf Vier-Kanal, Drei-Kanal (Stereo + Mono) oder Zwei-Kanal (Stereo, Mono) eingestellt werden. Schliessen Sie den Lautsprecherkabel an, um der Tonart anzupassen, gemäß folgenden Bildern.

Vier-Kanal

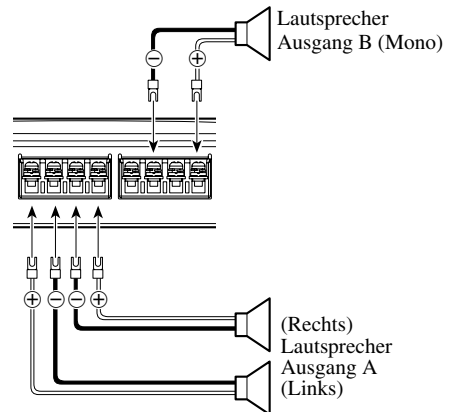
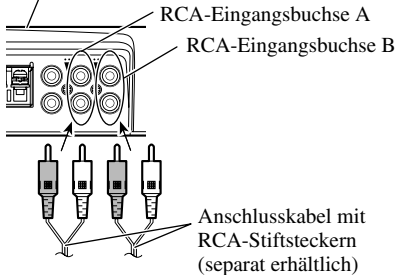
Der Eingangswahlschalter befindet sich an der Oberseite des Geräts. Für Zwei-Kanal-Eingang legen Sie diesen Schalter nach links. Für Vier-Kanal-Eingang legen Sie diesen Schalter nach rechts.



Von der Autostereoanlage (RCA-Ausgang) Wenn nur ein Eingangsstecker verwendet wird, wie etwa wenn die Autostereoanlage nur einen Ausgang (RCA-Ausgang) hat, stecken Sie den Stecker in die RCA-Eingangsbuchse A und lassen Sie die RCA-Eingangsbuchse B unbelegt.

Drei-Kanal

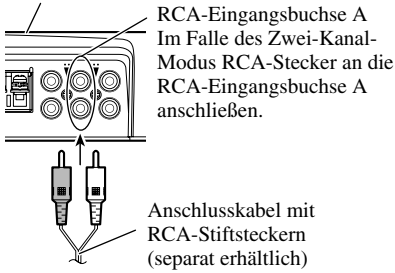
Der Eingangswahlschalter befindet sich an der Oberseite des Geräts. Für Zwei-Kanal-Eingang legen Sie diesen Schalter nach links. Für Vier-Kanal-Eingang legen Sie diesen Schalter nach rechts.



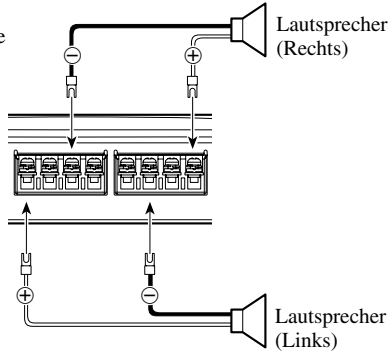
Von der Autostereoanlage (RCA-Ausgang) Wenn nur ein Eingangsstecker verwendet wird, wie etwa wenn die Autostereoanlage nur einen Ausgang (RCA-Ausgang) hat, stecken Sie den Stecker in die RCA-Eingangsbuchse A und lassen Sie die RCA-Eingangsbuchse B unbelegt.

Zwei-Kanal (Stereo)

Der Eingangswahlschalter befindet sich an der Oberseite des Geräts. Legen Sie diesen Schalter nach links.

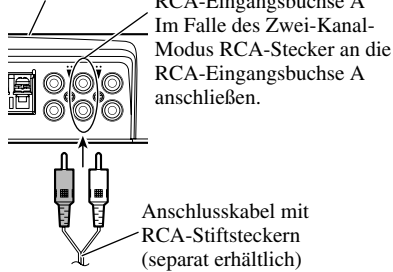


Von der Autostereoanlage (RCA-Ausgang)

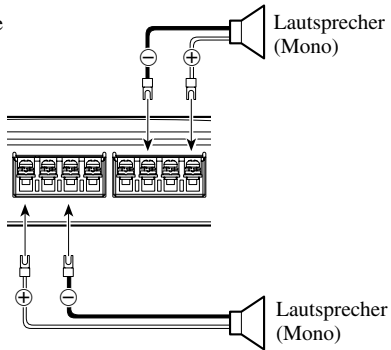


Zwei-Kanal (Mono)

Der Eingangswahlschalter befindet sich an der Oberseite des Geräts. Legen Sie diesen Schalter nach links.



Von der Autostereoanlage (RCA-Ausgang)





VORSICHT

- Keinesfalls an Orten einbauen:
 - Plätze, an denen sich der Fahrer oder die Fahrzeuginsassen bei plötzlichem Abbremsen am Gerät verletzen könnten.
 - Plätze, an denen das Gerät den Fahrer behindern könnte, wie z.B. auf dem Boden vor der Fahrersitz.
- Achten Sie darauf, dass sich die Anschlusskabel nicht im Schiebemechanismus der Sitze verklemmen und auf diese Weise einen Kurzschluss verursachen.
- Bestätigen Sie vor dem Bohren, dass sich hinter der Konsole keine Teile befinden, die nicht beschädigt werden dürfen. Schützen Sie alle Kabel und wichtigen Teile wie Benzinleitungen und Bremsleitungen und elektrischen Leitungen vor Schäden.
- Bringen Sie Schneidschrauben so an, dass die Schraubenspitze keines der Kabel berührt. Andernfalls können die Kabel durch die Vibrationen des Fahrzeugs beschädigt werden und Brände verursachen.
- **ACHTEN** Sie darauf, dass der Verstärker **NICHT** mit Flüssigkeiten in Berührung kommen kann, zum Beispiel wegen eines ungünstigen Einbauplatzes. Ein elektrischer Schlag könnte die Folge sein. Berührung mit Flüssigkeiten kann auch zu einer Beschädigung von Verstärker und Lautsprechern, sowie zu Rauchbildung und Überhitzung führen. Außerdem können Oberflächen von Verstärker und jeglicher angebrachter Lautsprecher heiß werden, sodass bei Berührung kleinere Verbrennungen verursacht werden könnten.
- Um einen ordnungsgemäßen Einbau zu gewährleisten, verwenden Sie die mitgelieferten Teile wie spezifiziert. Falls andere Teile außer den spezifizierten verwendet werden, so könnten innere Teile des Verstärkers beschädigt werden oder diese könnten sich lösen, und der Verstärker sich ausschalten.
- Ersetzen Sie die Sicherung niemals durch eine mit einem größeren Wert bzw. Nennwert, als die ursprüngliche Sicherung hatte. Der Gebrauch einer falschen Sicherung kann zu Heißlauf, Rauchentwicklung, Beschädigung des Produkts, Verbrennungen und anderen Verletzungen führen.



VORSICHT:

Zur Vermeidung von Funktionsstörungen und/oder Verletzungen

- Beachten Sie zur Gewährleistung ausreichender Wärmeableitung beim Einbau die folgende Punkte.
 - Lassen Sie genügend Freiraum über dem Verstärker, damit richtige Ventilation gewährleistet ist.
 - Decken Sie den Verstärker nicht mit einer Bodenmatte oder einem Teppich ab.
- **ACHTEN** Sie darauf, dass der Verstärker **NICHT** mit Flüssigkeiten in Berührung kommen kann, zum Beispiel wegen eines ungünstigen Einbauplatzes.

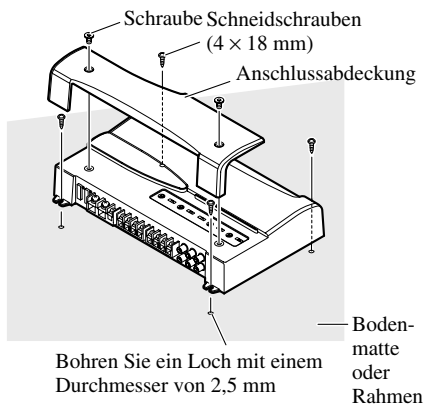
- Ein elektrischer Schlag könnte die Folge sein. Berührung mit Flüssigkeiten kann auch zu einer Beschädigung von Verstärker und Lautsprechern, sowie zu Rauchbildung und Überhitzung führen. Außerdem können Oberflächen von Verstärker und jeglicher angebrachter Lautsprecher heiß werden, sodass bei Berührung kleinere Verbrennungen verursacht werden könnten.
- Bauen Sie den Verstärker nicht an instabilen Plätzen ein, wie z.B. auf dem Ersatzreifenhalter.
- Die beste Einbauposition ist je nach Autotyp unterschiedlich. Befestigen Sie den Verstärker an einem sicheren Platz.
- Führen Sie vorrübergehende Anschlüsse zuerst durch, und stellen Sie sicher, dass der Verstärker und das System sicher funktionieren.
- Achten Sie nach dem Einbau des Verstärkers darauf, dass Ersatzreifen, Wagenheber und Werkzeuge noch leicht zugänglich sind.

Beispiel eines Einbaus auf einer Bodenmatte oder auf dem Rahmen

1. Legen Sie den Verstärker auf die Stelle, an welcher dieser eingebaut werden soll. Setzen Sie die mitgelieferten Schneidschrauben (4 × 18 mm) in die Schraubenlöcher ein. Drücken Sie die Schrauben mit einem Schraubenzieher, sodass diese Markierungen hinterlassen, wo diese eingesetzt werden sollen.
2. Bohren Sie Löcher mit einem Durchmesser von 2,5 mm an den zuvor markierten Punkten, und bringen Sie den Verstärker an, entweder direkt am Teppich oder am Rahmen.

Wiederanbringen der Anschlussabdeckung

1. Richten Sie die Anschlussabdeckung auf das Gerät aus und setzen Sie die Schraube ein.
2. Ziehen Sie die Schraube mit einem 4-mm-Sechskantschlüssel (nicht mitgeliefert) fest.



Technische Daten

Stromversorgung	14,4 V Gleichspannung (Toleranz 10,8 V bis 15,1 V)
Erdungssystem	Negativ
Leistungsaufnahme	27,7 A (bei gleichbleibendem Strom, 4 Ω)
Durchschnittliche Stromentnahme*	10,4 A (4 Ω für Vier-Kanal) 20,2 A (4 Ω für Zwei-Kanal) 20,2 A (2 Ω für Vier-Kanal)
Sicherung	30 A \times 2
Abmessungen	304 (B) \times 56 (H) \times 202 (T) mm
Gewicht	3,0 kg (Kabel nicht eingeschlossen)
Max. Ausgangsleistung	150 W \times 4 (4 Ω) / 600 W \times 2 (4 Ω)
Dauerausgangsleistung	75 W \times 4 (bei 14,4 V, 4 Ω , 20 Hz bis 20 kHz 1,0% THD) 300W \times 2 (bei 14,4 V, 4 Ω , 1 kHz 1,0% THD) 150 W \times 4 (bei 14,4 V, 2 Ω , 1 kHz 1,0% THD)
Verbraucher-Impedanz	4 Ω (2 Ω bis 8 Ω zulässig) (Brückenverbindung: 4 Ω bis 8 Ω zulässig)
Frequenzgang	10 Hz bis 40 kHz (+0 dB, -3 dB)
Signalrauschabstand	100 dB (IEC-A-Netz)
Verzerrungen	0,005 % (10 W, 1 kHz)
Kanaltrennung	70 dB (1 kHz)
Tiefpassfilter	Trennfrequenz: 40 Hz bis 120 Hz Trennkurve: -12 dB/oct
Hochpassfilter	Trennfrequenz: 40 Hz bis 120 Hz Trennkurve: -12 dB/oct
Verstärkungsregelung	RCA: 400 mV bis 6,5 V Lautsprecher: 1,6 V bis 26 V
Max. Eingangsstufe / Impedanz	RCA: 6,5 V / 22 k Ω Lautsprecher: 26 V / 90 k Ω

Hinweis:

- Änderungen der technischen Daten und des Designs jederzeit vorbehalten.

*Durchschnittliche Stromentnahme

- Die durchschnittliche Stromentnahme entspricht fast der maximalen Stromentnahme dieses Gerätes, wenn ein Audiosignal eingegeben wird. Verwenden Sie diesen Wert, wenn Sie die Gesamtstromentnahmen für mehrere Leistungsverstärker berechnen wollen.

Avant d'utiliser cet appareil	1
Enregistrement du produit	1
En cas d'anomalie	2
PRÉCAUTION	2
PRÉCAUTION	2
ATTENTION	2
Réglage de l'appareil	3
Couvre-bornes	3
Commande de la fréquence de coupure	3
Sélecteur d'entrée	3
Interrupteur BFC (Commande de fréquence de battement)	3
Sélecteur LPF (Filtre passe-bas)/ HPF (Filtre passe-haut)	4
Commutateur de sélection d'entrée	4
Témoin d'alimentation	4
Commande du gain	4
Raccordement de l'appareil	5
Schéma de raccordement	6
Raccordement de la borne d'alimentation	7
Raccordement des bornes de sortie vers les haut-parleurs	8
Utilisation de l'entrée de haut-parleur	8
Raccordement des haut-parleurs et des câbles	9
Installation	11
Exemple d'installation sur le tapis de sol ou sur le châssis	12
Remise en place du couvre-bornes	12
Caractéristiques techniques	13

Nous vous remercions d'avoir acheté cet appareil PIONEER. Avant de l'utiliser, prendre soin de lire ce manuel.



Si vous souhaitez vous débarrasser de cet appareil, ne le mettez pas à la poubelle avec vos ordures ménagères. Il existe un système de collecte séparé pour les appareils électroniques usagés, qui doivent être récupérés, traités et recyclés conformément à la législation.

Les habitants des 25 états membres de l'UE, de Suisse et de Norvège peuvent retourner gratuitement leurs appareils électroniques usagés aux centres de collecte agréés ou à un détaillant (si vous rachetez un appareil similaire neuf). Dans les pays qui ne sont pas mentionnés ci-dessus, veuillez contacter les autorités locales pour savoir comment vous pouvez vous débarrasser de vos appareils. Vous garantirez ainsi que les appareils dont vous vous débarrassez sont correctement récupérés, traités et recyclés et préviendrez de cette façon les impacts néfastes possibles sur l'environnement et la santé humaine.

Enregistrement du produit

Rendez-nous visite sur le site suivant:



Enregistrez votre produit. Nous conserverons sur fichier les détails de votre achat pour vous permettre de vous reporter à ces informations en cas de déclaration à votre assurance pour perte ou vol.

En cas d'anomalie

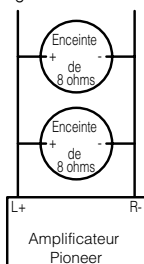
En cas d'anomalie de fonctionnement, veuillez consulter le distributeur ou le centre d'entretien PIONEER le plus proche.

PRÉCAUTION

Ne remplacez pas le fusible par un fusible de plus grande valeur ou de plus grand calibre. L'utilisation d'un fusible inadapté peut entraîner une surchauffe et de la fumée, et peut provoquer l'endommagement de l'appareil et des blessures, y compris des brûlures.

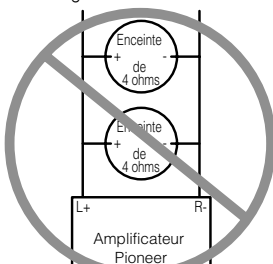
PRÉCAUTION

Diagramme A - Correct



Branchement en pont de 4 ohms

Diagramme B - Incorrect



Branchement en pont de 2 ohms

NE PAS installer ou utiliser l'amplificateur Pioneer en câblant des haut-parleurs de 4 ohm (ou moins) en parallèle pour obtenir un branchement en pont de 2 ohm (ou moins) (schéma B).

Ce type de branchement incorrect peut provoquer des détériorations, de la fumée et une surchauffe de l'amplificateur. Le boîtier de l'amplificateur peut aussi devenir chaud et être à l'origine de brûlures légères.

Pour installer ou utiliser correctement un branchement en pont sur un amplificateur à double canal et obtenir une charge de 4 Ω , câbler deux haut-parleurs de 8 Ω en parallèle avec Gauche + et Droite - (schéma A) ou utiliser un seul haut-parleur de 4 Ω . Pour un amplificateur à quatre canaux, se reporter au schéma de connexion de sortie des haut-parleurs pour un branchement en pont se trouvant sur le panneau arrière de l'amplificateur et câbler deux haut-parleurs de 8 Ω en parallèle pour obtenir une charge de 4 Ω ou utiliser un seul haut-parleur de 4 Ω par canal.

En cas de questions ou de difficultés, contacter le revendeur local Pioneer agréé ou appeler le service à la clientèle de Pioneer.

ATTENTION

- Utilisez le faisceau de câbles de liaison à la batterie (un câble rouge et un câble de masse) qui est vendu séparément [RD-223]. Reliez le câble rouge à la borne positive (+) de la batterie et le câble de masse à la carrosserie du véhicule.
- Ne touchez pas l'amplificateur quand vous avez les mains mouillées, faute de quoi vous risquez de ressentir une secousse électrique. Pareillement, ne touchez pas l'amplificateur s'il est mouillé.
- Pour votre sécurité et celles des autres usagers de la route, maintenez le niveau d'écoute à une valeur telle que les bruits de la circulation demeurent nettement perceptibles.
- Si le fusible monté sur le câble de liaison à la batterie, câble qui est vendu séparément, a grillé ou bien s'il en est ainsi de celui de l'amplificateur, vérifiez soigneusement toutes les connexions d'alimentation. Recherchez la cause de l'anomalie puis corrigez-la; enfin, remplacez le fusible grillé par un fusible de même taille et de même calibre.
- Pour éviter d'endommager l'amplificateur et les haut-parleurs, le circuit de protection coupe l'alimentation de l'amplificateur (les sons ne sont plus émis) dès que survient une situation anormale. Dans ce cas, mettez l'ensemble des appareils hors tension et contrôlez les liaisons entre l'amplificateur et les haut-parleurs. Le cas échéant, recherchez la cause de l'anomalie et corrigez-la.
- Consultez le revendeur si vous n'êtes pas en mesure de résoudre le problème qui se pose à vous.
- Pour éviter toute secousse électrique et tout risque de court-circuit au cours des opérations de raccordement et d'installation, n'oubliez pas de débrancher le câble relié au pôle négatif de la batterie (-) avant d'effectuer quelque opération que ce soit.
- Avant d'effectuer un perçage requis par l'installation de l'amplificateur, assurez-vous que vous pouvez le faire sans danger pour les câbles, canalisations, flexibles, etc., qui sont placés derrière le panneau que vous devez percer.
- NE LAISSEZ PAS l'amplificateur entrer en contact avec des liquides à cause, par exemple, de l'emplacement où il a été placé. Cela pourrait entraîner une secousse électrique. De plus, le contact avec un liquide pourrait endommager l'amplificateur et les enceintes, produire de la fumée ou surchauffer l'appareil. Enfin, la surface de l'amplificateur et des enceintes connectées peut devenir chaude au toucher et entraîner de légères brûlures.

Couvre-bornes

Avant de mettre l'appareil en place, dévissez les vis avec un tournevis à pointe hexagonale de 4 mm (non fourni) et retirez le couvre-bornes.

Commande de la fréquence de coupure

Si le sélecteur LPF/HPF est placé sur la position LPF ou HPF, la fréquence de coupure peut être choisie entre 40 Hz et 120 Hz.

Sélecteur d'entrée

Il est possible d'entrer des signaux à partir de la sortie extérieure d'un autoradio (sortie de haut-parleur d'extrêmes graves) ou de la sortie d'enceinte d'un autoradio. Lors de l'utilisation d'une sortie extérieure (sortie de haut-parleur d'extrêmes graves), faites glisser le sélecteur sur la gauche. Pour les instructions de connexion, reportez-vous à la section "Schéma de raccordement". Lors de l'utilisation de la sortie de haut-parleur, faites glisser le sélecteur sur la droite. Dans ce cas, il est nécessaire d'utiliser le cordon d'entrée de haut-parleur muni de fiches Cinch (RCA) fourni. Pour les détails, reportez-vous à la section "Utilisation de l'entrée de haut-parleur".

Interrupteur BFC (Commande de fréquence de battement)

L'interrupteur BFC se trouve sous l'appareil. Si vous entendez un battement pendant l'écoute d'une transmission MW/LW (PO/GO) avec votre autoradio, changer la position de l'interrupteur BFC en utilisant un petit tournevis standard.

Sélecteur LPF (Filtre passe-bas)/HPF (Filtre passe-haut)

Positionnez le sélecteur LPF/HPF comme indiqué ci-dessous en tenant compte de l'autoradio et du type du haut-parleur relié au connecteur de sortie.

Sélecteur LPF/HPF	Gamme des fréquences disponibles en sortie	Type de haut-parleur	Remarques
LPF (gauche)	* — 40 Hz à 120 Hz	Haut-parleur d'extrêmes graves	Utilisez un haut-parleur d'extrêmes graves.
OFF (centre)	Tout le spectre des fréquences	Haut-parleur pleine gamme	
HPF (droite)	* 40 Hz à 120 Hz —	Haut-parleur pleine gamme	Choisissez cette position si les fréquences* très graves sont inutiles compte tenu des haut-parleurs utilisés.

* Reportez-vous au paragraphe "Commande de la fréquence de coupure".

Témoin d'alimentation

Ce témoin s'éclaire lorsque l'amplificateur est sous tension.

Commutateur de sélection d'entrée

Dans le cas où deux voies sont appliquées sur l'amplificateur, placez ce sélecteur sur la position de gauche; dans le cas de quatre voies, placez ce sélecteur sur la position de droite.

Commande du gain

Le réglage des commandes de gain A et B permet d'adapter la sortie de l'autoradio à l'amplificateur Pioneer.

En principe, placez les contrôleurs de gain sur la position NORMAL. Si le niveau d'écoute est faible même lorsque la commande de l'autoradio est sur la position correspondant au maximum, tournez ces commandes de gain dans le sens des aiguilles d'une montre.

Inversement, si vous constatez de la distorsion lorsque vous augmentez le niveau de sortie de l'autoradio, tournez ces commandes dans le sens contraire des aiguilles d'une montre.

- Si vous n'utilisez qu'une seule prise d'entrée, réglez sur la même position, les commandes de gain pour les haut-parleurs A et B.
- Choisissez la position NORMAL si l'autoradio stéréo est équipé de prises Cinch (RCA) (niveau de sortie standard à 500 mV). Si cet appareil est utilisé conjointement avec un autoradio stéréo Pioneer pourvu de prises Cinch (RCA) sur lesquelles peuvent se trouver une tension de sortie de 4 V ou plus, réglez le niveau en fonction du niveau de sortie de l'autoradio.

PRÉCAUTION

- Pour éviter tout risque de court-circuit ou d'endommager cet appareil, débranchez le câble relié à la borne négative (-) de la batterie, au niveau de cette borne.
- Fixez les câbles au moyen de colliers ou du ruban adhésif. Lorsque l'isolant du câble peut être endommagé par une pièce métallique, assurez sa protection en le gainant de ruban adhésif.
- Faites cheminer les câbles en évitant les zones chaudes telles que les bouches du chauffage. La chaleur peut endommager l'isolant et il peut en résulter un court-circuit si l'âme du câble vient en contact avec la carrosserie.
- Assurez-vous que les câbles ne gênent en rien la manoeuvre des organes mobiles tels que rails de siège mais aussi levier de frein de stationnement, pédale de frein, etc.
- Veillez à ce qu'aucun câble ne soit en court-circuit, faute de quoi le circuit de protection pourrait être dans l'incapacité de remplir son office.
- N'alimentez pas un appareil par un piquage sur le câble qui alimente un autre appareil. Ce câble n'a peut-être pas la section suffisante pour supporter sans danger l'intensité consommée par les deux appareils.
- Ne remplacez pas le fusible par un fusible de plus grande valeur ou de plus grand calibre. L'utilisation d'un fusible inadapté peut entraîner une surchauffe et de la fumée, et peut provoquer l'endommagement de l'appareil et des blessures, y compris des brûlures.

PRÉCAUTION:

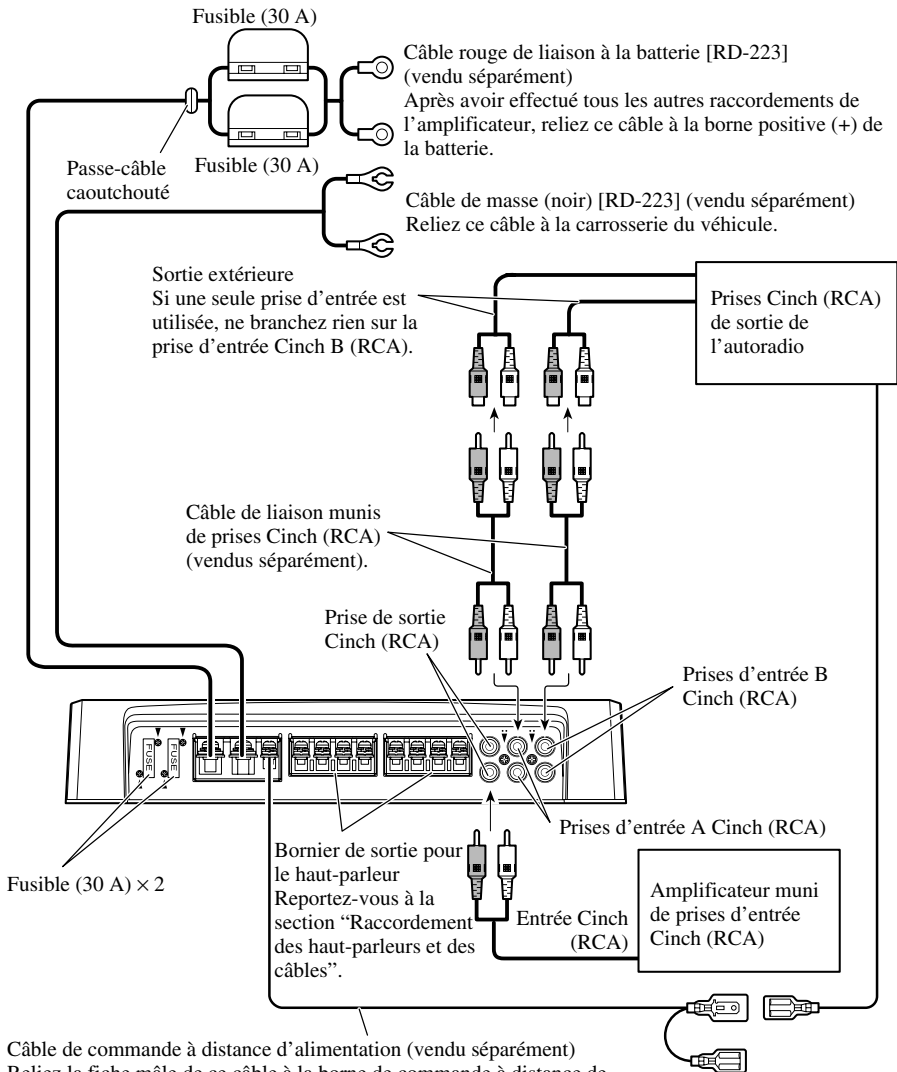
Pour éviter toute anomalie ou blessure

- Ne reliez pas à la masse le câble (-) d'un haut-parleur; ne reliez pas ensemble plusieurs câbles négatifs de haut-parleurs.
- Cet appareil est conçu pour les véhicules alimentés par une batterie 12 V dont le pôle négatif est à la masse. Avant d'installer cet appareil, contrôlez la tension de la batterie.
- Si vous conservez l'autoradio en fonctionnement alors que le moteur est arrêté ou tourne au ralenti, la batterie peut être déchargée au bout d'un certain temps. Pour éviter cela, mettez l'autoradio hors tension.
- Si le câble de commande à distance de l'amplificateur est relié à la borne d'alimentation par l'intermédiaire du contacteur d'allumage (12 V CC), l'amplificateur sera sous tension dès que vous mettez le contact, et cela quelle que soit la situation de l'autoradio. En conséquence, la batterie peut être rapidement déchargée si le moteur ne tourne pas, ou tourne au ralenti.
- Les haut-parleurs qui sont connectés à l'amplificateur doivent se conformer aux standards suivants. Sinon, ils pourraient prendre feu, fumer ou être endommagés. L'impédance de parleur doit être de 2 à 8 ohms. Mais dans le cas où il deux chaînes ou un autre pont de connecteur, son impédance peut être de 4 à 8 ohms.
- Installez le câble de liaison à la batterie, vendu séparément, et faites-le cheminer aussi loin que possible des câbles de liaison aux haut-parleurs. Installez le câble de liaison à la batterie, vendu séparément, le câble de masse, les câbles de liaison aux haut-parleurs et l'amplificateur aussi loin que possible de l'antenne, du câble d'antenne et du syntoniseur.
- Les câbles de cet appareil et ceux d'autres appareils peuvent fort bien ne pas être de la même couleur bien que remplissant la même fonction. Pour relier cet appareil à un autre appareil, utilisez le manuel d'installation de chacun et effectuez les raccordements en ne tenant compte que de la fonction de chaque câble.

Voie de sortie	Type de haut-parleur	Puissance
Quatre voies	Haut-parleur d'extrêmes graves	P. nominale d'entrée: 75 W minimum
	Autre que haut-parleur d'extrêmes graves	P. maximale d'entrée: 150 W minimum
Deux voies	Haut-parleur d'extrêmes graves	P. nominale d'entrée: 300 W minimum
	Autre que haut-parleur d'extrêmes graves	P. maximale d'entrée: 600 W minimum
Trois voies Sortie haut-parleur A	Haut-parleur d'extrêmes graves	P. nominale d'entrée: 75 W minimum
	Autre que haut-parleur d'extrêmes graves	P. maximale d'entrée: 150 W minimum
Trois voies Sortie haut-parleur B	Haut-parleur d'extrêmes graves	P. nominale d'entrée: 300 W minimum
	Autre que haut-parleur d'extrêmes graves	P. maximale d'entrée: 600 W minimum

Schéma de raccordement

- Ce schéma montre les connexions en utilisant une sortie extérieure (sortie de haut-parleur d'extrêmes graves). Faites glisser le sélecteur d'entrée sur la gauche.
- Si vous réalisez une connexion avec une sortie de haut-parleur extérieur, les connexions diffèrent de ce schéma. Pour les détails, reportez-vous à la section "Utilisation de l'entrée de haut-parleur". Dans chaque cas, vous devez régler le sélecteur d'entrée correctement. Pour les détails, reportez-vous à la section "Réglage de l'appareil".

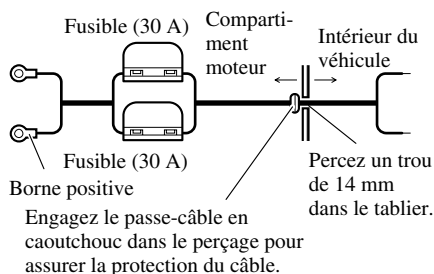


Raccordement de la borne d'alimentation

- Utilisez le faisceau de câbles de liaison à la batterie (un câble rouge et un câble de masse) qui est vendu séparément [RD-223]. Reliez le câble rouge à la borne positive (+) de la batterie et le câble de masse à la carrosserie du véhicule.

1. Faites passer le câble de liaison à la batterie du compartiment moteur vers l'intérieur du véhicule.

- Après avoir effectué tous les autres raccordements de l'amplificateur, reliez la borne d'alimentation de l'amplificateur à la borne positive (+) de la batterie.

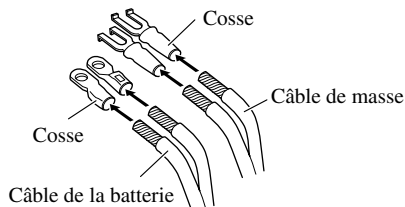


2. Torsadez le câble de la batterie, celui de masse et celui de la commande à distance.



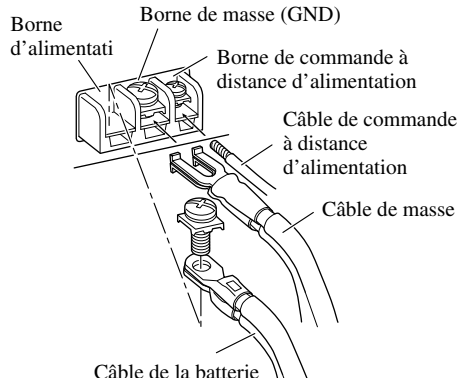
3. Fixez une cosse à l'extrémité de chaque câble. Les cosses ne sont pas fournies.

- Utilisez un outil spécial, etc., pour sertir la cosse sur le câble.



4. Reliez les câbles aux bornes.

- Serrez soigneusement les câbles au moyen des vis.

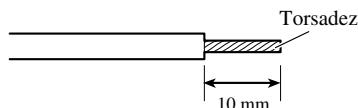


⚠ ATTENTION

Faute de serrer soigneusement le câble de batterie sur la borne au moyen d'une vis de borne, une élévation importante de température de la borne peut se produire et provoquer dommages et blessures, y compris brûlures légères.

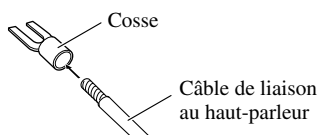
Raccordement des bornes de sortie vers les haut-parleurs

1. **Dénudez l'extrémité des câbles de liaison aux haut-parleurs par une pince ou un couteau sur 10 mm environ et torsadez les brins des câbles.**



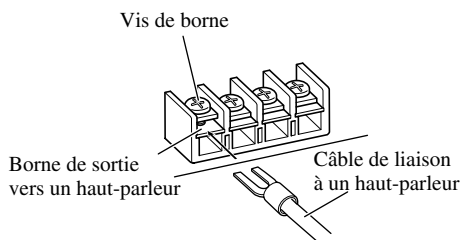
2. **Fixez une cosse à l'extrémité de chaque câble de haut-parleur. Les cosses ne sont pas fournies.**

- Utilisez un outil spécial, etc., pour sertir la cosse sur le câble.



3. **Reliez les câbles de liaisons aux haut-parleurs aux bornes de sortie vers les haut-parleurs.**

- Serrez soigneusement les cosses au moyen des vis.



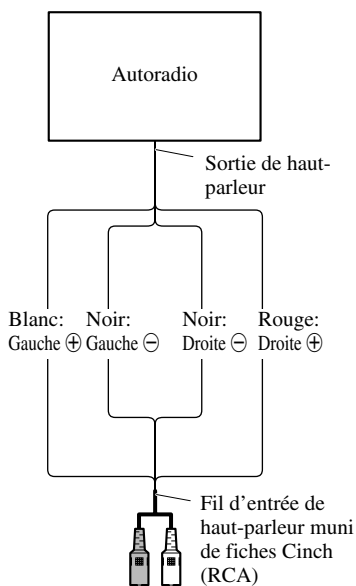
Utilisation de l'entrée de haut-parleur

Connectez les fils de sortie de haut-parleur de l'autoradio à l'amplificateur en utilisant le fil d'entrée de haut-parleur muni de

fiches Cinch (RCA) fourni.

- Faites glisser le sélecteur d'entrée sur la droite.
- Pour une entrée à 4 voies, connectez deux fils d'entrée de haut-parleur muni de fiches Cinch (RCA) aux prises d'entrée Cinch (RCA) A et B. Assurez-vous de faire glisser le commutateur de sélection d'entrée sur la droite.
- Pour une entrée à 2 voies, connectez le fil d'entrée de haut-parleur muni de fiches Cinch (RCA) à la prise d'entrée Cinch (RCA) A. Ne connectez rien à la prise d'entrée Cinch (RCA) B. Assurez-vous de faire glisser le commutateur de sélection d'entrée sur la gauche.

■ Connexion lors de l'utilisation de l'entrée de haut-parleur



À la prise d'entrée Cinch (RCA) de cet appareil.

- Comme le fil de sortie de haut-parleur de l'autoradio est connecté à l'amplificateur, ce dernier se met automatiquement sous tension quand l'autoradio est mis sous tension. Il n'est pas nécessaire de connecter le câble de commande à distance dans ce cas.

Remarque:

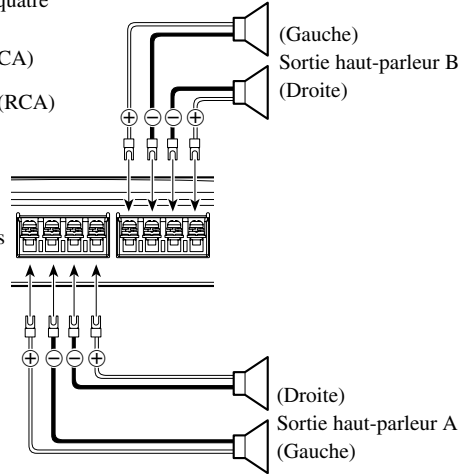
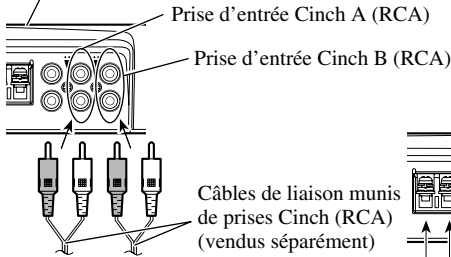
- Connectez le câble de commande à distance l'amplificateur ne se met pas sous tension en même temps que l'autoradio.

Raccordement des haut-parleurs et des câbles

Les haut-parleurs peuvent fonctionner selon trois modes: quatre voies, trois voies (stéréo + mono) ou deux voies (stéréo, mono). Connecter les fils du haut-parleur pour se conformer au mode suivant les figures cidessous.

Quatre voies

Le commutateur de sélection d'entrée se trouve sur le dessus de l'appareil. Pour une entrée à deux voies, faites glisser ce sélecteur sur la gauche. Pour une entrée à quatre voies, faites glisser ce sélecteur sur la droite.

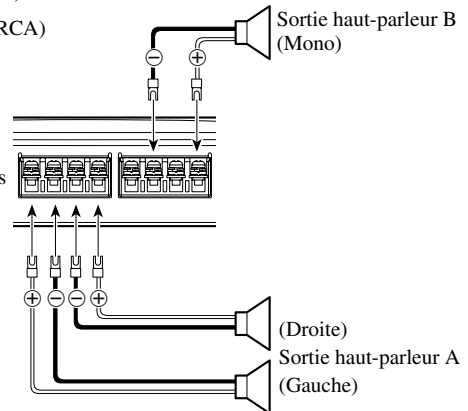
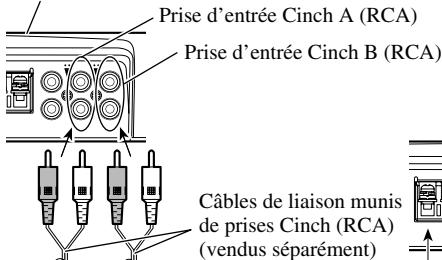


De l'autoradio (Sortie sur prises Cinch (RCA))

Si une seule prise d'entrée est utilisée, ce qui est le cas lorsque l'autoradio stéréo ne possède qu'une seule sortie (sortie sur prise Cinch (RCA)), branchez cette prise à la prise d'entrée Cinch A (RCA) et ne branchez rien sur la prise d'entrée Cinch B (RCA).

Trois voies

Le commutateur de sélection d'entrée se trouve sur le dessus de l'appareil. Pour une entrée à deux voies, faites glisser ce sélecteur sur la gauche. Pour une entrée à quatre voies, faites glisser ce sélecteur sur la droite.

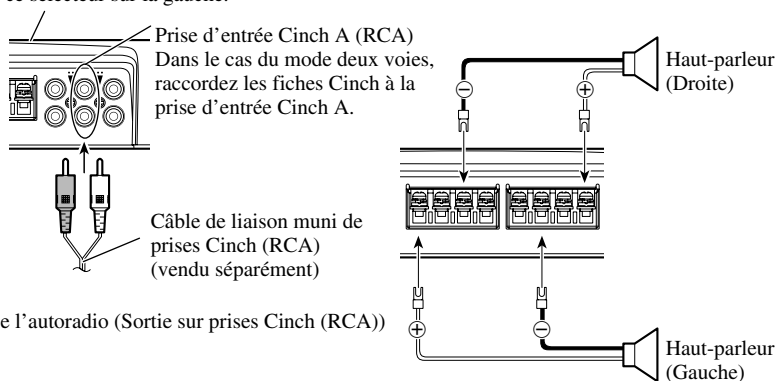


De l'autoradio (Sortie sur prises Cinch (RCA))

Si une seule prise d'entrée est utilisée, ce qui est le cas lorsque l'autoradio stéréo ne possède qu'une seule sortie (sortie sur prise Cinch (RCA)), branchez cette prise à la prise d'entrée Cinch A (RCA) et ne branchez rien sur la prise d'entrée Cinch B (RCA).

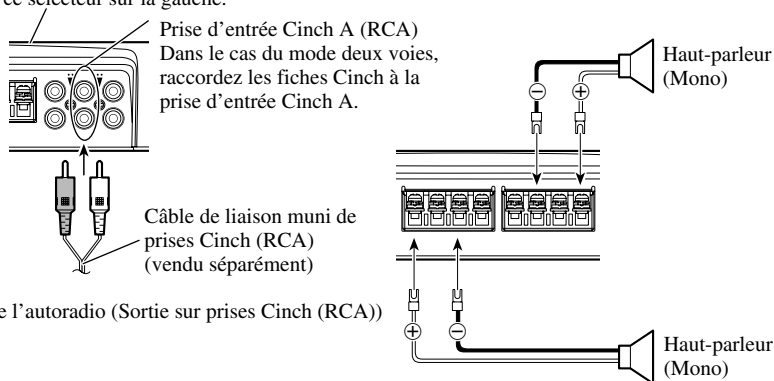
Deux voies (stéréo)

Le commutateur de sélection d'entrée se trouve sur le dessus de l'appareil. Faites glisser ce sélecteur sur la gauche.



Deux voies (mono)

Le commutateur de sélection d'entrée se trouve sur le dessus de l'appareil. Faites glisser ce sélecteur sur la gauche.





PRÉCAUTION

- N'installez pas l'appareil:
 - dans un endroit où il pourrait blesser un occupant du véhicule en cas d'arrêt brusque;
 - dans un endroit où il pourrait gêner le conducteur, par exemple devant son siège.
- Veillez à ce que les câbles ne puissent pas être pincés et endommagés par les sièges, ce qui peut conduire à un court-circuit.
- Avant d'effectuer un perçage requis par l'installation de l'amplificateur, assurez-vous que vous pouvez le faire sans danger pour les câbles, canalisations, flexibles, etc., qui sont placés derrière le panneau que vous devez percer.
- Posez les vis autotaraudeuses de manière que leur extrémité ne puisse pas endommager les câbles. Il est important que l'isolant d'un câble ne soit pas endommagé par le frottement sur une pièce, ce qui pourrait ultérieurement entraîner un court-circuit.
- **NE LAISSEZ PAS l'amplificateur entrer en contact avec des liquides à cause, par exemple, de l'emplacement où il a été placé.** Cela pourrait entraîner une secousse électrique. De plus, le contact avec un liquide pourrait endommager l'amplificateur et les enceintes, produire de la fumée ou surchauffer l'appareil. Enfin, la surface de l'amplificateur et des enceintes connectées peut devenir chaude au toucher et entraîner de légères brûlures.
- Pour effectuer convenablement l'installation, utilisez les pièces fournies et procédez comme il est indiqué. L'utilisation de pièces autres que celles fournies peut endommager l'amplificateur.
- Ne remplacez pas le fusible par un fusible de plus grande valeur ou de plus grand calibre. L'utilisation d'un fusible inadapté peut entraîner une surchauffe et de la fumée, et peut provoquer l'endommagement de l'appareil et des blessures, y compris des brûlures.



PRÉCAUTION:

Pour éviter toute anomalie de fonctionnement ou blessure

- Pour que la chaleur puisse se dissiper sans mal, respectez ce qui suit:
 - veillez à ce qu'un espace dégagé existe au-dessus de l'amplificateur;
 - ne recouvrez pas l'amplificateur d'un tapis ou d'une moquette.

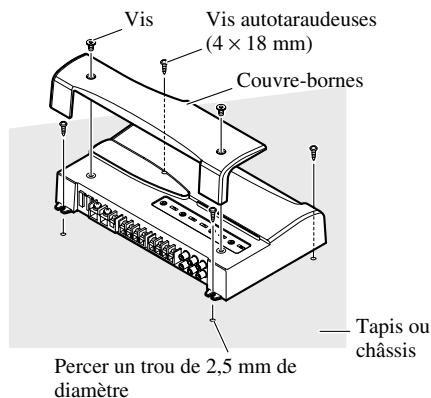
- **NE LAISSEZ PAS l'amplificateur entrer en contact avec des liquides à cause, par exemple, de l'emplacement où il a été placé.** Cela pourrait entraîner une secousse électrique. De plus, le contact avec un liquide pourrait endommager l'amplificateur et les enceintes, produire de la fumée ou surchauffer l'appareil. Enfin, la surface de l'amplificateur et des enceintes connectées peut devenir chaude au toucher et entraîner de légères brûlures.
- N'installez pas l'amplificateur sur une surface instable telle que le tapis amovible cachant la roue de secours.
- Le meilleur emplacement d'installation dépend du véhicule, mais, quoi qu'il en soit, doit être rigide et solide.
- Effectuez tout d'abord des raccordements temporaires pour vous assurer que l'amplificateur et les autres appareils fonctionnent correctement.
- Choisissez un emplacement qui permette le retrait sans peine de la roue de secours, du cric et de la boîte à outils.

Exemple d'installation sur le tapis de sol ou sur le châssis

1. Posez l'amplificateur à l'emplacement choisi. Introduisez les vis autotaraudeuses fournies (4×18 mm) dans les perçages. Appuyez fermement sur les vis au moyen d'un tournevis pour marquer les points de perçage.
2. Percer des trous de 2,5 mm de diamètre aux emplacements marqués puis fixez l'amplificateur soit à travers le tapis, soit directement sur le châssis.

Remise en place du couvre-bornes

1. Alignez l'appareil et le couvre-bornes et insérez les vis.
- 2 Serrez les vis avec un tournevis à pointe hexagonale de 4 mm (non fourni).



Caractéristiques techniques

Alimentation	14,4 V CC (10,8 V à 15,1 V permis)
Mise à la masse	Pôle négatif de la batterie
Consommation de courant	27,7 A (à la puissance continue, 4 Ω)
Consommation moyenne de courant*	10,4 A (4 Ω pour quatre voies) 20,2 A (4 Ω pour deux voies) 20,2 A (2 Ω pour quatre voies)
Fusible	30 A × 2
Dimensions	304 (L) × 56 (H) × 202 (P) mm
Poids	3,0 kg (sans les câbles)
Puissance maximale de sortie	150 W × 4 (4 Ω) / 600 W × 2 (4 Ω)
Puissance continue de sortie	75 W × 4 (pour 14,4 V, 4 Ω, 20 Hz à 20 kHz, avec une DHT de 1,0%) 300 W × 2 (pour 14,4 V, 4 Ω, 1 kHz, avec une DHT de 1,0%) 150 W × 4 (pour 14,4 V, 2 Ω, 1 kHz, avec une DHT de 1,0%)
Impédance de charge	4 Ω (2 Ω à 8 Ω permis) (Montage ponté: 4 Ω à 8 Ω permis)
Réponse en fréquence	10 Hz à 40 kHz (+0 dB, -3 dB)
Rapport signal/bruit	100 dB (Réseau IEC-A)
Distorsion	0,005 % (10 W, 1 kHz)
Séparation des voies	70 dB (1 kHz)
Filtre passe-bas	Fréquence de coupure: 40 Hz à 120 Hz Pente: -12 dB/oct.
Filtre passe-haut	Fréquence de coupure: 40 Hz à 120 Hz Pente: -12 dB/oct.
Commande du gain	RCA: 400 mV à 6,5 V Haut-parleur: 1,6 V à 26 V
Niveau maximale / impédance d'entrée	RCA: 6,5 V / 22 kΩ Haut-parleur: 26 V / 90 kΩ

Remarque:

- Les caractéristiques et la présentation peuvent être modifiées sans avis préalable à fin d'amélioration.

* Consommation moyenne de courant

- Le courant moyen est proche du courant maximal lorsqu'un signal audio est appliqué à l'entrée de l'amplificateur. Utilisez cette valeur lorsque vous désirez calculer le courant total consommé par plusieurs amplificateurs de puissance.

Prima di usare questo prodotto	1
Registrazione del prodotto	1
In caso di difficoltà	2
PRECAUZIONE	2
PRECAUZIONE	2
ATTENZIONE	2
Regolazione di questa unità	3
Coperchio dei terminali	3
Comando della soglia della frequenza di taglio	3
Selettore d'ingresso	3
Selettore BFC (Beat Frequency Control)	3
Selettore LPF (filtro passa-basso)/HPF (filtro passa-alto)	4
Interruttore di selezione ingresso	4
Indicatore dell'alimentazione	4
Comando del guadagno	4
Come collegare l'unità	5
Schema di collegamento	6
Come collegare il terminale dell'alimentazione	7
Come collegare il terminale di uscita degli altoparlanti	8
Utilizzo dell'ingresso altoparlanti	8
Come collegare gli altoparlanti ed i cavi di ingresso	9
Installazione	11
Esempio dell'installazione sul pavimento oppure sullo chassis	12
Riapplicazione del coperchio dei terminali	12
Caratteristiche	13

Grazie per aver acquistato questo prodotto PIONEER. Leggere attentamente queste istruzioni prima di usare questo apparecchio.



Se si vuole eliminare questo prodotto, non gettarlo insieme ai rifiuti domestici. Esiste un sistema di raccolta differenziata in conformità alle leggi che richiedono appositi trattamenti, recupero e riciclo.

I privati cittadini dei venticinque paesi membri dell'UE, di Svizzera e Norvegia, possono restituire senza alcun costo i loro prodotti elettronici usati ad appositi servizi di raccolta o a un rivenditore (se si desidera acquistarne uno simile). Per i paesi non citati qui sopra, si prega di prendere contatto con le autorità locali per il corretto metodo di smaltimento. In questo modo, si è sicuri che il proprio prodotto eliminato subirà il trattamento, il recupero e il riciclo necessari per prevenire gli effetti potenzialmente negativi sull'ambiente e sulla vita dell'uomo.

Registrazione del prodotto

Visita il seguente sito Web:



Potrai registrare il tuo prodotto. Pioneer conserverà i dettagli del tuo acquisto per agevolare il riferimento a tali informazioni nel caso di una richiesta di risarcimento assicurativa, come in caso di furto o smarrimento.

In caso di difficoltà

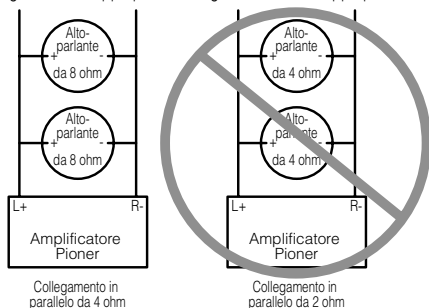
Se l'apparecchio non funziona correttamente, rivolgersi al rivenditore o ad un Centro Assistenza Autorizzato PIONEER.

PRECAUZIONE

Non sostituire mai il fusibile con uno di valore o taratura superiore a quella del fusibile originale. L'uso di fusibili non adeguati può determinare un surriscaldamento o generare fumo, eventualmente danneggiando il prodotto e procurando lesioni o ustioni.

PRECAUZIONE

Diagramma A - Appropriato Diagramma B - Non appropriato



NON installare o usare l'amplificatore Pioneer collegando in parallelo altoparlanti da 4 ohm (o meno) per ottenere un carico a ponte di 2 ohm (o meno) (schema B).

Effettuando impropriamente i collegamenti in parallelo, si può provocare fumo, surriscaldamento o danni all'amplificatore. Inoltre, la superficie dell'amplificatore può riscaldarsi al punto da causare lievi ustioni. Ai fini della corretta installazione in parallelo dell'uso appropriato di un amplificatore a due canali con un carico di 4 Ω , collegare in parallelo due altoparlanti da 8 Ω , usando i terminali positivo sinistro L+ e negativo destro R- (schema A), oppure usare un singolo altoparlante da 4 Ω . Nel caso di un amplificatore a quattro canali, seguire lo schema di collegamento dell'uscita degli altoparlanti sul retro dell'amplificatore, e collegare in parallelo due altoparlanti da 8 Ω per ottenere un carico di 4 Ω , oppure usare un singolo altoparlante da 4 Ω .

In caso di dubbi o quesiti, rivolgersi al rivenditore autorizzato Pioneer di zona o chiamare l'assistenza tecnica Pioneer.

ATTENZIONE

- Usare sempre lo speciale cavo rosso per batteria e il cavo di messa a terra [RD-223], venduti a parte. Collegare il cavo per la batteria direttamente al terminale positivo (+) della batteria dell'auto, ed il cavo per la messa a terra al corpo dell'autovettura.
- Non toccare l'amplificatore con le mani bagnate. Toccando l'apparecchio con le mani bagnate si rischia di rimanere folgorati. Ugualmente, non toccare l'amplificatore se risulta umido o bagnato.
- Per una buona sicurezza della guida e per una guida appropriata della vettura, mantenere il volume ad un basso livello di tale modo che si possa sentire ancora il suono normale del traffico.
- Se il fusibile del cavo della batteria (venduto a parte) o il fusibile dell'amplificatore bruciano controllare i collegamenti dell'alimentazione e degli altoparlanti. Individuare la causa e risolvere il problema, e provvedere poi a sostituire il fusibile con un altro delle stesse dimensioni e capacità.
- Per evitare un funzionamento incorretto dell'amplificatore e degli altoparlanti, il circuito di protezione taglia l'alimentazione all'amplificatore (il suono si interrompe in questo caso) quando una condizione anormale si presenta. In tale caso, commutare l'alimentazione del sistema alla posizione "OFF" (arresto) poi verificare il collegamento dell'alimentazione e degli altoparlanti. Cercare la causa del problema ed eliminare il problema.
- Consultare il rivenditore se non si può trovare la causa del problema.
- Per evitare qualsiasi scossa elettrica oppure cortocircuito durante il collegamento e l'installazione, assicurarsi di scollegare in anticipo il polo negativo (-) della batteria.
- Verificare che nessuna parte si trovi dietro il pannello quando un foro viene eseguito per l'installazione dell'amplificatore. Assicurarsi di proteggere tutti i cavi e componenti importanti come linee del carburante, linee del freno e cablaggio elettrico, contro i danni.
- NON lasciare che l'amplificatore entri in contatto con liquidi nel luogo in cui esso è installato. Si potrebbero generare infatti scosse elettriche. Il contatto con i liquidi può altresì danneggiare l'amplificatore stesso e i diffusori, con emissione di fumo e creazione di surriscaldamento. La superficie dell'amplificatore o quella degli altoparlanti ad esso collegati potrebbe inoltre divenire molto calda e, al contatto, procurare piccole scottature.

Coperchio dei terminali

Prima d'installare l'unità, svitare le viti con una chiave esagonale da 4mm (non fornita in dotazione) e rimuovere il coperchio dei terminali.

Comando della soglia della frequenza di taglio

Portando il selettore LPF/HPF su una delle due posizioni LPF o HPF, si può selezionare la soglia della frequenza di taglio ad un valore compreso fra 40 Hz e 120 Hz.

Selettore d'ingresso

È possibile porre in ingresso il segnale proveniente dall'uscita esterna (uscita subwoofer) oppure dall'un'uscita altoparlanti dell'apparecchio stereo dell'auto. In caso di utilizzo dell'uscita esterna (uscita del subwoofer) fare scorrere il selettore a sinistra. Per maggiori informazioni sulla connessione si rimanda alla sezione "Schema di collegamento". In caso di utilizzo dell'uscita agli altoparlanti fare scorrere il selettore a destra. In tal caso è necessario fare uso del cavetto d'ingresso per altoparlanti provvisto di spina RCA fornito in dotazione. Per maggiori informazioni in merito si rimanda alla sezione "Utilizzo dell'ingresso agli altoparlanti".

Selettore BFC (Beat Frequency Control)

Il selettore BFC si trova sul fondo dell'unità. Qualora durante l'ascolto di stazioni MW/LW con l'apparecchio stereo dell'auto si avverta un battimento, con un piccolo cacciavite appuntito si suggerisce di cambiare la posizione del selettore BFC.

Selettore LPF (filtro passa-basso)/HPF (filtro passa-alto)

Regolare il selettore LPF/HPF come segue a secondo del tipo di altoparlante collegato al connettore di uscita dell'altoparlante ed il sistema d'impianto stereo per macchina:

Selettore LPF/HPF	Gamma della frequenza audio che viene emessa	Tipo di altoparlante	Note
LPF (sinistra)	* — 40 Hz a 120 Hz	Subwoofer	Collegare un Subwoofer.
OFF (centro)	Intera gamma	Intera gamma	
HPF (destra)	* 40 Hz a 120 Hz —	Intera gamma	Da usare se si desidera annullare la gamma di frequenze molto basse* poiché non è necessaria per l'altoparlante in uso.

* Vedere la sezione "Comando della soglia della frequenza di taglio".

Indicatore dell'alimentazione

L'indicatore dell'alimentazione viene illuminato quando si attiva l'alimentazione.

Interruttore di selezione ingresso

Per l'ingresso di due canali, far scorrere questo selettore alla sinistra. Per l'ingresso di quattro canali, far scorrere questo selettore alla destra.

Comando del guadagno

La regolazione dei comandi del guadagno A e B serve ad adeguare l'uscita dello stereo all'amplificatore Pioneer. Normalmente lasciare controllo l'aumento di potenza sulla posizione NORMAL (normale). Se l'uscita risulta bassa anche alzando il volume dello stereo, ruotare questi comandi in senso orario. Se si notano distorsioni nel suono quando si alza il volume dello stereo, ruotare i comandi in senso antiorario.

- Se si fa uso di una sola spina di ingresso, disporre i comandi del guadagno per le uscite degli altoparlanti A e B sulla stessa posizione.
- In caso di uso in combinazione con un car stereo dotato di presa di tipo RCA (uscita standard di 500 mV) porre questo comando sulla posizione NORMAL. In caso di uso in combinazione con un car stereo dotato di presa di tipo RCA con uscita massima di 4 V, o più, regolare il livello in modo che si adegui al livello di uscita del car stereo.

PRECAUZIONE

- Togliere il contatto negativo (-) dalla batteria per evitare ogni rischio di cortocircuito e danni all'unità.
- Fissare il cablaggio con dei fermi per cavi oppure nastro adesivo. Per proteggere il cablaggio, avvolgere il nastro adesivo intorno al cablaggio dove esso si trova in contatto con parti di metallo.
- Non posare i cavi dove possono riscaldarsi, per esempio dove il dispositivo di riscaldamento rischia di riscaldarli. Se l'isolamento si riscalda, potrebbe danneggiarsi, e risultare in un cortocircuito attraverso la carrozzeria del veicolo.
- Assicurarsi che i cavi non siano in contatto con delle parti mobili del veicolo, come leva del cambio, freno a mano oppure meccanismo a scorrimento del sedile.

PRECAUZIONE:

Per evitare danneggiamenti e/o lesioni

- Non mettere direttamente alla massa il cavo dell'altoparlante oppure collegare un cavo negativo (-) a diversi altoparlanti.
- Questa unità è fornita per veicoli con una batteria da 12 volt ed una messa alla massa negativa. Prima di installarla in un veicolo, autocarro oppure un autobus, controllare la tensione della batteria.
- Se l'impianto stereofonico della vettura viene lasciato in funzionamento per un lungo periodo di tempo a motore spento o al minimo, la batteria può esaurirsi. Disattivare l'impianto stereo della macchina quando il motore è fermo o al minimo.
- Se il cavo di telecomando del sistema dell'amplificatore viene collegato al terminale dell'alimentazione attraverso l'interruttore di accensione (12 V, CC), l'amplificatore sarà sempre attivato quando l'accensione è attivata, indipendentemente dal fatto che l'impianto stereo della macchina sia attivato oppure no. Dovuto a questa condizione, la batteria potrà esaurirsi se si lascia il motore fermo o al minimo.

- Non cortocircuitare i cavi. In caso contrario, il circuito di protezione non funzionerà quando sarà necessario.
- Evitare di collegare altri apparecchi tramite rimozione copertura cavo di alimentazione per accedere all'alimentazione. Questo risulterà in sovraccarico ed eccessivo riscaldamento.
- Non sostituire mai il fusibile con uno di valore o taratura superiore a quella del fusibile originale. L'uso di fusibili non adeguati può determinare un surriscaldamento o generare fumo, eventualmente danneggiando il prodotto e procurando lesioni o ustioni.

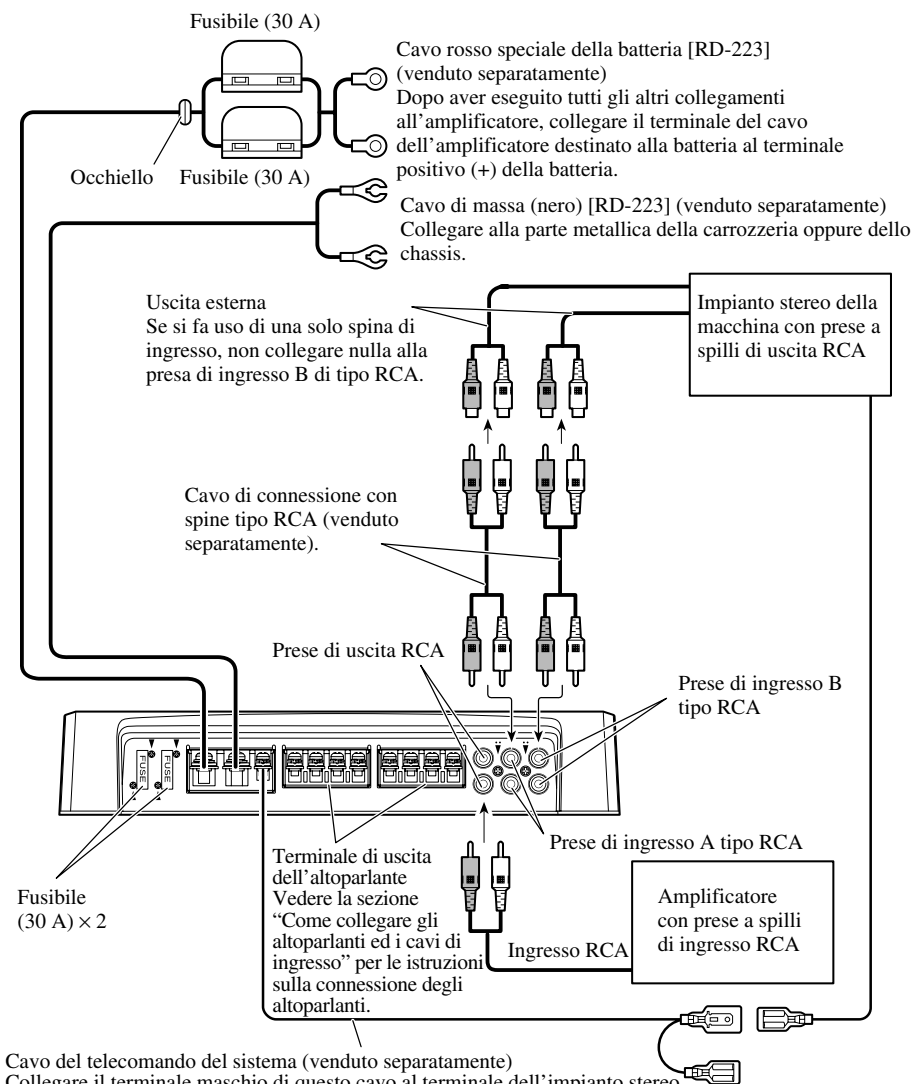
- Gli altoparlanti collegati all'amplificante deve conformarsi alle sequente standard, altrimenti prendono fuoco, emettono fumo oppure diventa danneggiati. L'impedenza dell'audio deve essere da 2 a 8 ohms. Nel caso della connessione di due canali con altri canali, l'impedenza dell'audio deve essere da 4 a 8 ohms.
- Installare ed istradare il cavo per la batteria (venduto separatamente) quanto più possibile lontano dai cavi degli altoparlanti. Installare ed istradare i cavi della batteria e della messa a terra (venduti separatamente), degli altoparlanti e dell'amplificatore quanto più lontani possibile dall'antenna, dal cavo dell'antenna e dal sintonizzatore.

- I cavi per questo apparecchio e quelli per altri apparecchi possono avere colori diversi, pur svolgendo la stessa funzione. Per il collegamento di questo apparecchio ad un'altro, vedere i manuali di installazione di entrambi gli apparecchi, e provvedere al collegamento dei cavi aventi la stessa funzione.

Canale degli altoparlanti	Tipo di altoparlanti	Alimentazione
Quattro canali	Subwoofer	Ingresso nominale: Minimo 75 W
	Altro che il subwoofer	Ingresso massimo: Minimo 150 W
Due canali	Subwoofer	Ingresso nominale: Minimo 300 W
	Altro che il subwoofer	Ingresso massimo: Minimo 600 W
Uscita dell'altoparlante a tre canali A	Subwoofer	Ingresso nominale: Minimo 75 W
	Altro che il subwoofer	Ingresso massimo: Minimo 150 W
Uscita dell'altoparlante a tre canali B	Subwoofer	Ingresso nominale: Minimo 300 W
	Altro che il subwoofer	Ingresso massimo: Minimo 600 W

Schema di collegamento

- Questo schema mostra le connessioni in caso di utilizzo dell'uscita esterna (uscita per subwoofer). Fare scorrere verso destra il selettore d'ingresso.
- Le connessioni tuttavia differiscono qualora si utilizzi l'uscita altoparlanti. Per maggiori informazioni in merito si rimanda alla sezione "Utilizzo dell'ingresso altoparlanti". In entrambi i casi è necessario regolare la posizione del selettore d'ingresso. Per maggiori informazioni in merito si rimanda alla sezione "Regolazione di questa unità".

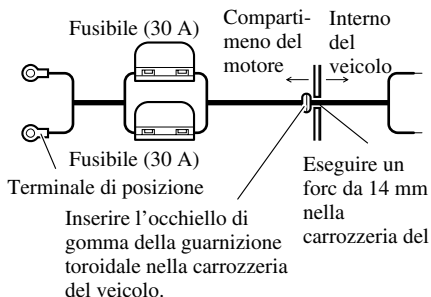


Come collegare il terminale dell'alimentazione

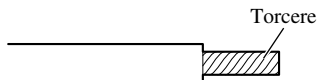
- Usare sempre lo speciale cavo rosso per batteria e il cavo di messa a terra [RD-223], venduti a parte. Collegare il cavo per la batteria direttamente al terminale positivo (+) della batteria dell'auto, ed il cavo per la messa a terra al corpo dell'autovettura.

1. Far passare il cavo della batteria dal vano motore all'interno dell'abitacolo.

- Dopo aver eseguito tutti gli altri collegamenti all'amplificatore, collegare il terminale del cavo dell'amplificatore destinato alla batteria al terminale positivo (+) della batteria.

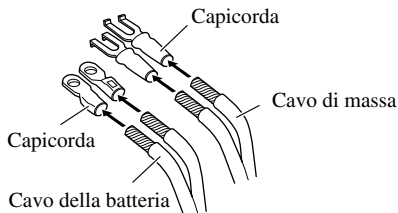


2. Attorcigliare l'estremità del cavo della batteria, del cavo di messa a terra, e del cavo di comando a distanza del sistema.



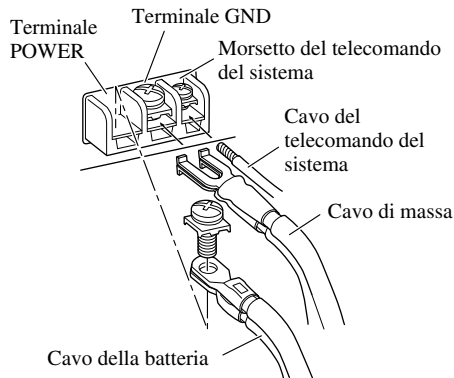
3. Applicare degli spinotti alle estremità dei cavi. I capicorda non sono forniti.

- Usare le pinze, ecc., per raggrinzire i capicorda stringendoli ai cavi.



4. Collegare i cavi al morsetto.

- Fissare saldamente i cavi con le viti per morsetti.

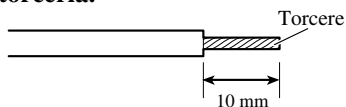


ATTENZIONE

Qualora non si fissi saldamente al terminale il cavo della batteria al terminale con le apposite viti, l'area del terminale stesso potrebbe surriscaldarsi divenendo quindi eventualmente causa di danneggiamenti e di lesioni quali, ad esempio, lievi ustioni.

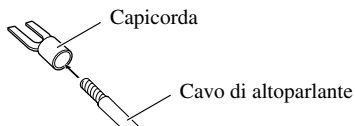
Come collegare il terminale di uscita degli altoparlanti

1. Utilizzando delle pinze oppure una tagliatrice esporre l'estremità dei cavi di altoparlanti per circa 10 mm e torcerla.



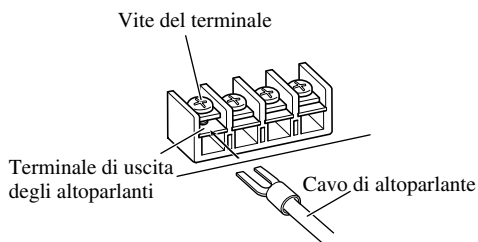
2. Applicare degli spinotti alle estremità del cavo degli altoparlanti. I capicorda non sono forniti.

- Usare le pinze, ecc., per raggrinzire i capicorda stringendoli ai cavi.



3. Collegare i cavi degli altoparlanti al terminale di uscita degli altoparlanti.

- Fissare saldamente i cavi con le viti per morsetti.



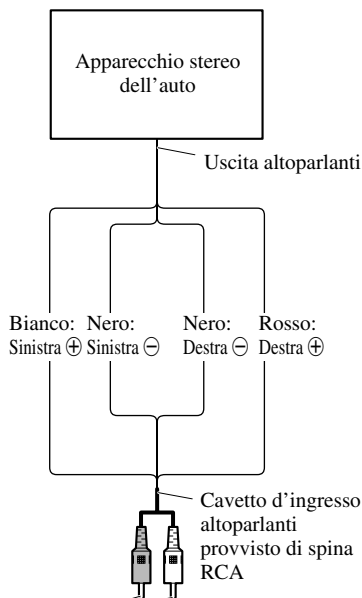
Utilizzo dell'ingresso altoparlanti

Con i cavetti d'ingresso altoparlanti provvisti di spina RCA, forniti in dotazione, collegare all'amplificatore i cavetti dell'uscita altoparlanti dell'apparecchio stereo dell'auto.

- Fare scorrere il selettore a destra.

- In caso di quattro ingressi, collegare i due cavetti d'ingresso altoparlanti con spina RCA rispettivamente alle prese d'ingresso RCA A e B. Fare scorrere l'interruttore di selezione ingresso a destra.
- In caso di due ingressi collegare il cavetto d'ingresso altoparlanti con spina RCA alla presa d'ingresso RCA A. Non collegare alcunché alla presa RCA B. Fare scorrere l'interruttore di selezione ingresso a sinistra.

■ Connessioni in caso di utilizzo dell'ingresso altoparlanti.



Al presa d'ingresso tipo RCA di questa unità.

- Collegando il cavo d'uscita altoparlanti dell'apparecchio stereo dell'auto all'amplificatore, quest'ultimo si accende automaticamente all'accensione dell'apparecchio stereo dell'auto. In tal caso non è necessario collegare il cavo del telecomando del sistema.

Nota:

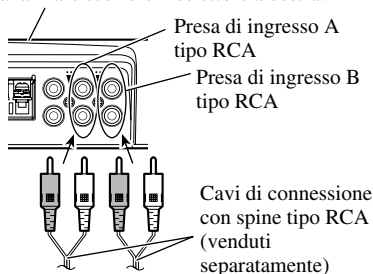
- Il cavo del telecomando del sistema deve essere collegato quando non si desidera che l'amplificatore si accenda all'accensione dell'apparecchio stereo dell'auto.

Come collegare gli altoparlanti ed i cavi di ingresso

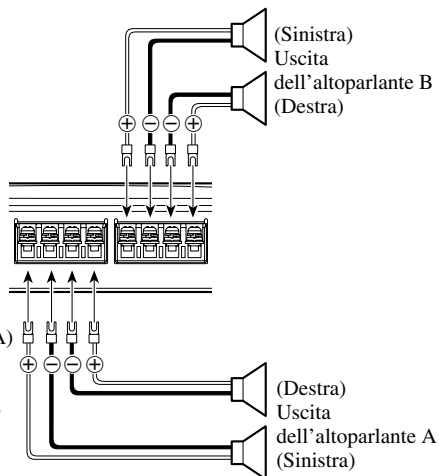
Il modo di uscita dell'altoparlante può essere a quattro canali, a tre canali (stereo + mono) e a due canali (stereo, mono). Colleja i fili dell'altoparlante in giuspo modo secondo le norme di sicurezza sotto le riportate.

Quattro canali

L'interruttore di selezione ingresso si trova sul lato superiore dell'unità. In caso d'ingresso a due canali fare scorrere il selettore a sinistra. In caso d'ingresso a quattro canali fare scorrere il selettore a destra.

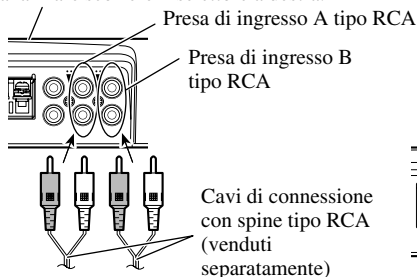


Dall'impianto stereofonico della vettura (uscita RCA)
Se solo uno spinotto di ingresso viene utilizzato, come nel caso di una sola uscita (uscita RCA) dell'impianto stereofonico della vettura, collegare lo spinotto alla presa di ingresso A RCA, ma non collegare nulla alla presa di ingresso B RCA.

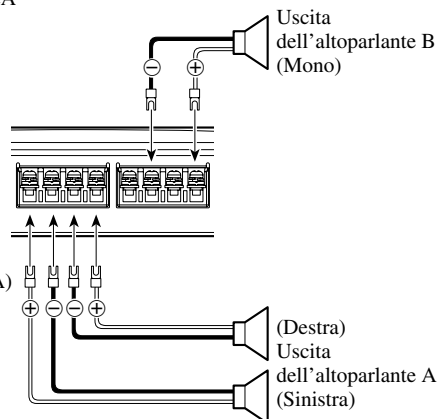


Tre canali

L'interruttore di selezione ingresso si trova sul lato superiore dell'unità. In caso d'ingresso a due canali fare scorrere il selettore a sinistra. In caso d'ingresso a quattro canali fare scorrere il selettore a destra.

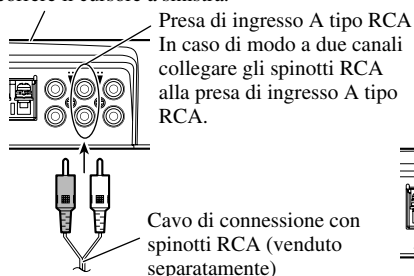


Dall'impianto stereofonico della vettura (uscita RCA)
Se solo uno spinotto di ingresso viene utilizzato, come nel caso di una sola uscita (uscita RCA) dell'impianto stereofonico della vettura, collegare lo spinotto alla presa di ingresso A RCA, ma non collegare nulla alla presa di ingresso B RCA.

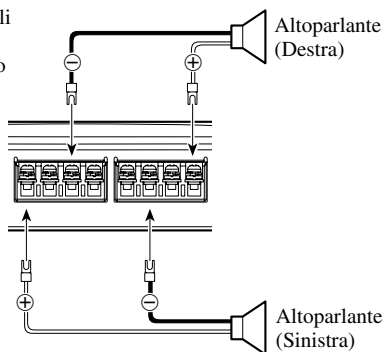


Due canali (stereo)

L'interruttore di selezione ingresso si trova sul lato superiore dell'unità.
Fare scorrere il cursore a sinistra.

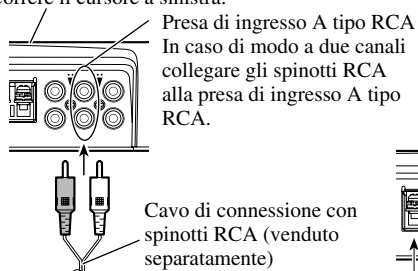


Dall'impianto stereofonico della vettura (uscita RCA)

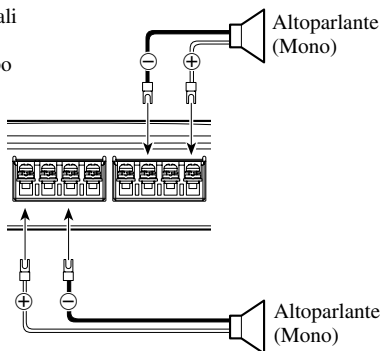


Due canali (mono)

L'interruttore di selezione ingresso si trova sul lato superiore dell'unità.
Fare scorrere il cursore a sinistra.



Dall'impianto stereofonico della vettura (uscita RCA)





PRECAUZIONE

- Non installare l'unità sulle posizioni seguenti:
 - Posti dove potrebbe ferire il conducente o i passeggeri se il veicolo si arresta bruscamente.
 - Posti dove potrebbe disturbare il conducente, come pavimento verso la parte anteriore del sedile del conducente.
 - Assicurarsi che i cavi non vengano presi nel meccanismo a scorrimento del sedile, provocando così un cortocircuito.
 - Verificare che nulla si trovi dietro il pannello quando si esegue un foro per l'installazione dell'amplificatore. Assicurarsi di proteggere tutti i cavi e componenti importanti come linee del carburante, linee del freno e cablaggio elettrico, contro i danni.
 - Installare le viti autofilettanti in tale modo che le punte delle viti non siano in contatto con i cavi. Questa precauzione è importante per evitare che i cavi vengano tagliati dalle vibrazioni della vettura, poiché ciò può risultare in un incendio.
 - NON lasciare che l'amplificatore entri in contatto con liquidi nel luogo in cui esso è installato. Si potrebbero generare infatti scosse elettriche. Il contatto con i liquidi può altresì danneggiare l'amplificatore stesso e i diffusori, con emissione di fumo e creazione di surriscaldamento. La superficie dell'amplificatore o quella degli altoparlanti ad esso collegati potrebbe inoltre divenire molto calda e, al contatto, procurare piccole scottature.
 - Per ottenere una installazione appropriata, utilizzare le parti fornite nel modo specificato. Se qualunque parte diversa da quelle fornite viene utilizzata, potrà danneggiare le parti interne dell'amplificatore, oppure potrà allentarsi e l'amplificatore rischia di danneggiarsi.
 - Non sostituire mai il fusibile con uno di valore o taratura superiore a quella del fusibile originale. L'uso di fusibili non adeguati può determinare un surriscaldamento o generare fumo, eventualmente danneggiando il prodotto e procurando lesioni o ustioni.
- NON lasciare che l'amplificatore entri in contatto con liquidi nel luogo in cui esso è installato. Si potrebbero generare infatti scosse elettriche. Il contatto con i liquidi può altresì danneggiare l'amplificatore stesso e i diffusori, con emissione di fumo e creazione di surriscaldamento. La superficie dell'amplificatore o quella degli altoparlanti ad esso collegati potrebbe inoltre divenire molto calda e, al contatto, procurare piccole scottature.
 - Non installare l'amplificatore in luoghi instabili come il pannello della ruota di scorta.
 - Verificare che nulla si trovi dietro il pannello quando si esegue un foro per l'installazione dell'amplificatore. Assicurarsi di proteggere tutti i cavi e componenti importanti come linee del carburante, linee del freno e cablaggio elettrico, contro i danni.
 - Eseguire prima i collegamenti provvisori, poi verificare se l'amplificatore ed il sistema funzionano in modo adeguato.
 - Per ottenere una installazione appropriata, utilizzare le parti fornite nel modo specificato. Se qualunque parte diversa da quelle fornite viene utilizzata, potrà danneggiare le parti interne dell'amplificatore, oppure potrà allentarsi e l'amplificatore rischia di danneggiarsi.



PRECAUZIONE:

Per evitare malfunzionamenti e/o lesioni

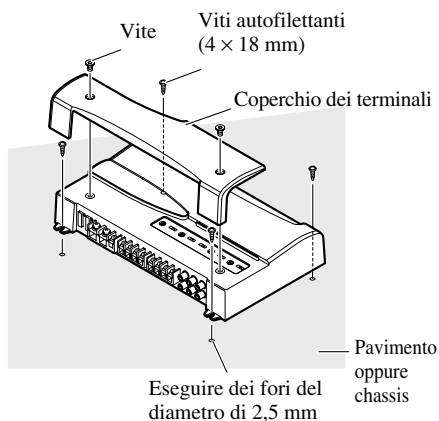
- Per assicurare una dissipazione appropriata di calore dall'amplificatore, fare attenzione ai seguenti punti per l'installazione.
 - Lasciare uno spazio adeguato sopra l'amplificatore per ottenere una ventilazione appropriata.
 - Non ricoprire l'amplificatore con tappeti o moquette.

Esempio dell'installazione sul pavimento oppure sullo chassis

- 1. Posizionare l'amplificatore dove deve essere installato. Inserire le viti autofilettanti fornite (4×18 mm) nei fori delle viti. Spingere le viti con un cacciavite per fare dei segni dove i fori dell'installazione devono essere fatti.**
- 2. Eseguire dei fori del diametro di 2,5 mm al punto marcato ed installare l'amplificatore, sia su tappeto, sia direttamente sullo chassis.**

Riapplicazione del coperchio dei terminali

- 1. Allineare il coperchio dei terminali all'unità ed inserire le viti.**
- 2. Serrare bene le viti con la chiave esagonale da 4mm (non fornita in dotazione).**



Caratteristiche

Alimentazione	14,4 V C.C. (10,8 V a 15,1 V permessibile)
Collegamento a terra	Tipo negativo
Consumo	27,7 A (ad alimentazione continua, 4 Ω)
Corrente media consumata*	10,4 A (4 Ω per quattro canali) 20,2 A (4 Ω per due canali) 20,2 A (2 Ω per quattro canali)
Fusibile	30 A × 2
Dimensioni	304 (L) × 56 (A) × 202 (P) mm
Peso	3,0 kg (Cavi per il cablaggio non compresi)
Uscita massima di potenza	150 W × 4 (4 Ω) / 600 W × 2 (4 Ω)
Uscita di potenza continua	75 W × 4 (a 14,4 V, 4 Ω, 20 Hz a 20 kHz 1,0% THD) 300 W × 2 (a 14,4 V, 4 Ω, 1 kHz 1,0% THD) 150 W × 4 (a 14,4 V, 2 Ω, 1 kHz 1,0% THD)
Impedenza di carico	4 Ω (2 Ω a 8 Ω permessibile) (Collegamento a ponte: 4 Ω a 8 Ω permessibile)
Risposta in frequenza	10 Hz a 40 kHz (+0 dB, -3 dB)
Rapporto segnale/rumore	100 dB (IEC-A rete)
Distorsione	0,005 % (10 W, 1 kHz)
Separazione	70 dB (1 kHz)
Filtro passa-basso	Frequenza di taglio: 40 Hz a 120 Hz Pendenza di taglio: -12 dB per ottava
Filtro passa-alto	Frequenza di taglio: 40 Hz a 120 Hz Pendenza di taglio: -12 dB per ottava
Comando del guadagno	RCA: 400 mV a 6,5 V Altoparlante: 1,6 V a 26 V
Livello di ingresso massimo / impedenza	RCA: 6,5 V / 22 kΩ Altoparlante: 26 V / 90 kΩ

Nota:

- Caratteristiche tecniche e design soggetti a modifiche senza preavviso a causa di migliorie.

*Corrente media consumata

- La corrente media consumata è circa uguale alla corrente massima consumata da questa unità quando un segnale audio viene immesso. Tenere presente questo valore per il calcolo della corrente totale consumata dai vari amplificatori utilizzati.

Alvorens gebruik	1
Productregistratie	1
Bij problemen	2
WAARSCHUWING	2
WAARSCHUWING	2
WAARSCHUWING	2
Instellen van dit toestel	3
Aansluitingenafdekking	3
Regelaar voor drempelfrequentie	3
Ingangsschakelaar	3
BFC (Beat Frequency Control) schakelaar	3
LPF (lage-doorlaatfilter)/HPF (hoge-doorlaatfilter)-keuzeschakelaar	4
Ingangskeuzeschakelaar	4
Spanningsindicator	4
Versterkingsregelaar	4
Aansluiten van het toestel	5
Aansluitschema	6
Aansluiten van het spanningsaansluitpunt	7
Verbinden van de luidsprekeruitgangsaansluitingen	8
Gebruik van de luidspreker-ingang	8
Aansluiten van de luidsprekers en ingangssnoeren	9
Installatie	11
Voorbeeld van installatie op de vloermat of op het chassis	12
Terugzetten van de aansluitingenafdekking	12
Technische gegevens	13

Dank U zeer voor de aanschaf van dit PIONEER-product. Lees deze gebruiksaanwijzing goed door, voordat het toestel in gebruik genomen wordt.



Deponeer dit product niet bij het gewone huishoudelijk afval wanneer u het wilt verwijderen. Er bestaat een speciaal wettelijk voorgescreven verzamelstelsel voor de juiste behandeling, het opnieuw bruikbaar maken en de recycling van gebruikte elektronische producten.

In de 25 lidstaten van de EU, Zwitserland en Noorwegen kunnen particulieren hun gebruikte elektronische producten gratis bij de daarvoor bestemde verzamelplaatsen of een verkooppunt (indien u aldaar een gelijkwaardig nieuw product koopt) inleveren.

Indien u zich in een ander dan bovengenoemd land bevindt kunt u contact opnemen met de plaatselijke overheid voor informatie over de juiste verwijdering van het product.

Zodoende zorgt u ervoor dat het verwijderde product op de juiste wijze wordt behandeld, opnieuw bruikbaar wordt gemaakt, gerecycleerd en het niet schadelijk is voor de gezondheid en het milieu.

Productregistratie

Hier vindt u onze site:



Registreer uw product. Wij bewaren de gegevens van het product dat u heeft aangeschaft zodat u deze eenvoudig kunt opvragen als u die nodig mocht hebben voor de verzekering na bijvoorbeeld verlies of diefstal.

Bij problemen

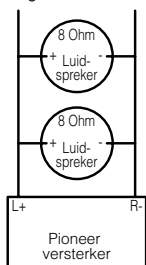
Neem contact op met uw dealer of het dichtstbijzijnde PIONEER service-centrum, wanneer de eenheid niet juist functioneert.

! WAARSCHUWING

Vervang de zekering in geen geval door één met een hoger vermogen of hogere waarde dan de originele. Gebruik van een verkeerde zekering kan leiden tot oververhitting en rookontwikkeling en tot beschadiging van het product en letsel, bijvoorbeeld brandwonden.

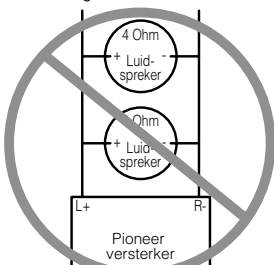
! WAARSCHUWING

Diagram A - Correct



4 Ohm brugschakeling

Diagram B - Incorrect



2 Ohm brugschakeling

Uw Pioneer versterker NIET installeren of gebruiken door de luidsprekers van 4 Ohm (of lager) parallel te bedraden om een overbrugde modus (diagram B) van 2 Ohm (of lager) te verkrijgen. Een onjuiste overbrugging kan leiden tot schade aan de versterker, rook en oververhitting. Het oppervlak van de verwerker kan ook te heet worden om aan te raken en dit kan resulteren in lichte brandwonden.

Om een overbrugde modus op de juiste manier te installeren of te gebruiken voor een tweekanalenversterker en een belasting van 4 Ω te verkrijgen, dient u twee luidsprekers van 8 Ω parallel te bedraden met Links + en Rechts - (diagram A) of een enkelvoudige luidspreker van 4 Ω te gebruiken. Voor een vierkanalenversterker dient u het aansluitdiagram voor luidsprekers te volgen voor overbrugging zoals vertoond op de achterzijde van uw versterker en

twee luidsprekers van 8 Ω parallel te bedraden om een belasting van 4 Ω te verkrijgen of een enkelvoudige luidspreker van 4 Ω per kanaal te gebruiken.

Als u vragen of opmerkingen hebt, neem dan a.u.b. contact op met uw plaatselijk bevoegd Pioneer verdeler of bel de klantendienst van Pioneer.

WAARSCFHUWING

- Gebruik altijd het los verkrijgbare, speciale rode accu- en aarddraad [RD-223]. Verbind het accudraad direct met de positieve pool (+) van de autoaccu en het aarddraad met het chassis van de auto.
- Raak de versterker niet met natte handen aan. U zou anders een elektrische schok kunnen krijgen. Raak de versterker tevens niet aan wanneer deze nat is.
- Voor de verkeersveiligheid dient u het volume zodanig in te stellen dat u verkeerssignalen en ander verkeer nog goed kunt horen.
- Controleer de verbindingen van de spanningstoevoer en luidsprekers in de zekering van het los verkrijgbare accudraad of de zekering van de versterker regelmatig doorbrand. Zoek de oorzaak en los het probleem op. Plaats vervolgens een nieuwe zekering van hetzelfde formaat en ampère.
- Om een onjuiste werking van de versterker en luidsprekers te voorkomen, schakelt het beschermingscircuit van de versterker de spanning naar de versterker uit indien de omstandigheden niet normaal zijn. Schakel in dit geval de spanning van het systeem uit (OFF), controleer de verbinding met de spanningsbron en luidsprekers. Zoek de oorzaak en los het probleem op.
- Raadpleeg de plaats van aankoop indien u de oorzaak niet kunt vinden.
- Om een elektrische schok of kortsluiting te voorkomen tijdens het aansluiten en installeren, moet de negatieve (-) pool van de accu worden ontkoppeld voordat u de eenheid aansluit.
- Controleer of er zich geen onderdelen achter het paneel bevinden wanneer u een gat boort voor de installatie van de versterker. Zorg ervoor dat alle kabels en belangrijke onderdelen zoals brandstofleidingen, remleidingen en de elektrische bedrading beveiligd zijn en niet kunnen worden beschadigd.
- Laat de versterker IN GEEN GEVAL in contact komen met vloeistoffen, bijvoorbeeld als gevolg van de opstelling van de versterker. Dit kan leiden tot elektrische schokken. De versterker en luidsprekers kunnen ook beschadigd raken, rook produceren en oververhit raken door contact met vloeistoffen. Daarbij kan het oppervlak van de versterker en het oppervlak van aangesloten luidsprekers heet worden, hetgeen kan leiden tot lichte brandwonden.

Aansluitingenafdekking

Voor u het toestel gaat installeren, dient u de schroeven los te maken met een inbussleutel van 4 mm (niet meegeleverd) en dient u de aansluitingenafdekking te verwijderen.

Regelaar voor drempelfrequentie

Met de LPF/HPF keuzeschakelaar op LPF of HPF gesteld kunt u een drempelfrequentie van 40 Hz t/m 120 Hz kiezen.

Ingangsschakelaar

Het is mogelijk signalen te ontvangen van de externe uitgang van een autostereo (subwoofer uitgang) of de luidspreker-uitgang van een autostereo. Bij gebruik van een externe uitgang (subwoofer uitgang) dient u deze schakelaar naar links te zetten. Voor instructies betreffende de aansluitingen verwijzen we u naar het "Aansluitschema". Bij gebruik van een luidspreker-uitgang dient u de schakelaar naar rechts te zetten. In dit geval is het nodig het meegeleverde luidspreker-ingangssnoer met RCA (tulp) stekkers te gebruiken. Zie voor details de paragraaf "Gebruik van de luidspreker-ingang".

BFC (Beat Frequency Control) schakelaar

De BFC schakelaar bevindt zich aan de onderkant van het toestel. Als u een ritmisch geluid (beat) hoort wanneer u naar een MW/LW uitzending luistert met uw autostereo, kunt u de BFC schakelaar verzetten met behulp van een kleine schroevendraaier.

LPF (lage-doorlaatfilter)/HPF (hoge-doorlaatfilter)-keuzeschakelaar

Stel de LPF/HPF-keuzeschakelaar als volgt in, naargelang het type luidspreker dat is aangesloten op de luidsprekeruitgangsaansluiting en het autostereosysteem:

LPF/HPF-keuze-schakelaar	Uit te voeren audio frequentiebereik	Type luidspreker	Opmerkingen
LPF (links)	* — 40 Hz t/m 120 Hz	Subwoofer	Sluit een subwoofer aan.
Uitgeschakeld (OFF) (midden)	Full range	Full range	
HPF (rechts)	* 40 Hz t/m 120 Hz —	Full range	Als u het zeer lage frequentiebereik* wil afsnijden, omdat het niet nodig is voor de luidspreker die u gebruikt.

* Zie het gedeelte aangaande de "Regelaar voor drempelfrequentie".

Spanningsindicator

De spanningsindicator licht op wanneer de spanning wordt ingeschakeld.

Ingangskkeuzeschakelaar

Schuif deze schakelaar naar links voor invoer vanuit twee kanalen. Schuif deze schakelaar naar rechts voor invoer vanuit vier kanalen.

Versterkingsregelaar

U kunt de versterkingsregelaars A en B instellen in overeenstemming met de uitgangssignalen van de auto-stereo naar de Pioneer versterker. Zet de schakelaar normaliter in de NORMAL stand. Indien de weergave te zacht klinkt, zelfs met het volume van de auto-stereo verhoogd, moet u deze regelaars naar rechts draaien. Draai deze regelaars naar links indien het geluid vervormt wanneer het volume van de auto-stereo wordt verhoogd.

- Wanneer u slechts één ingang verbindt, moet u de versterkingsregelaars voor luidsprekeruitgangen A en B in dezelfde stand draaien.
- Wanneer u een auto-stereo gebruikt met RCA (standaard uitgangsspanning 500 mV), dient u de NORMAL stand in te stellen. Wanneer u een Pioneer auto-stereo met RCA gebruikt, met een maximale uitgangsspanning van 4 V of meer, dient u het niveau aan te passen aan het uitgangsniveau van de auto-stereo.

WAARSCHUWING

- Voorkom kortsluiting en beschadiging van de eenheid en ontkoppel de negatieve (-) accupool van het voertuig.
- Zet de bedrading met kabelklemmen of isoleer- of plakband vast. Bescherm de bedrading door de gedeelten in de buurt van metalen delen met isoleerband af te dekken.
- Leid de draden niet langs plaatsen die heet worden, bijvoorbeeld in de buurt van de verwarmingselementen. Indien de isolatie van draden heet wordt, zullen de draden worden beschadigd met kortsluiting tot gevolg.
- Zorg dat de bedrading de werking van bewegende of verplaatsbare onderdelen, bijvoorbeeld de versnellingshendel of stoelverstelmechanismen van het de auto niet hindert.

- Sluit draden niet kort. Het beschermingscircuit werkt anders namelijk niet wanneer het voor de veiligheid zou moeten functioneren.
- Tap het spanningsdraad van dit toestel niet af voor gebruik van andere apparaten. Het vermogen van het draad zou dan namelijk worden overschreden, met oververhitting tot gevolg.
- Vervang de zekering in geen geval door één met een hoger vermogen of hogere waarde dan de originele. Gebruik van een verkeerde zekering kan leiden tot oververhitting en rookontwikkeling en tot beschadiging van het product en letsel, bijvoorbeeld brandwonden.

WAARSCHUWING:

Om beschadiging en/of letsel te voorkomen

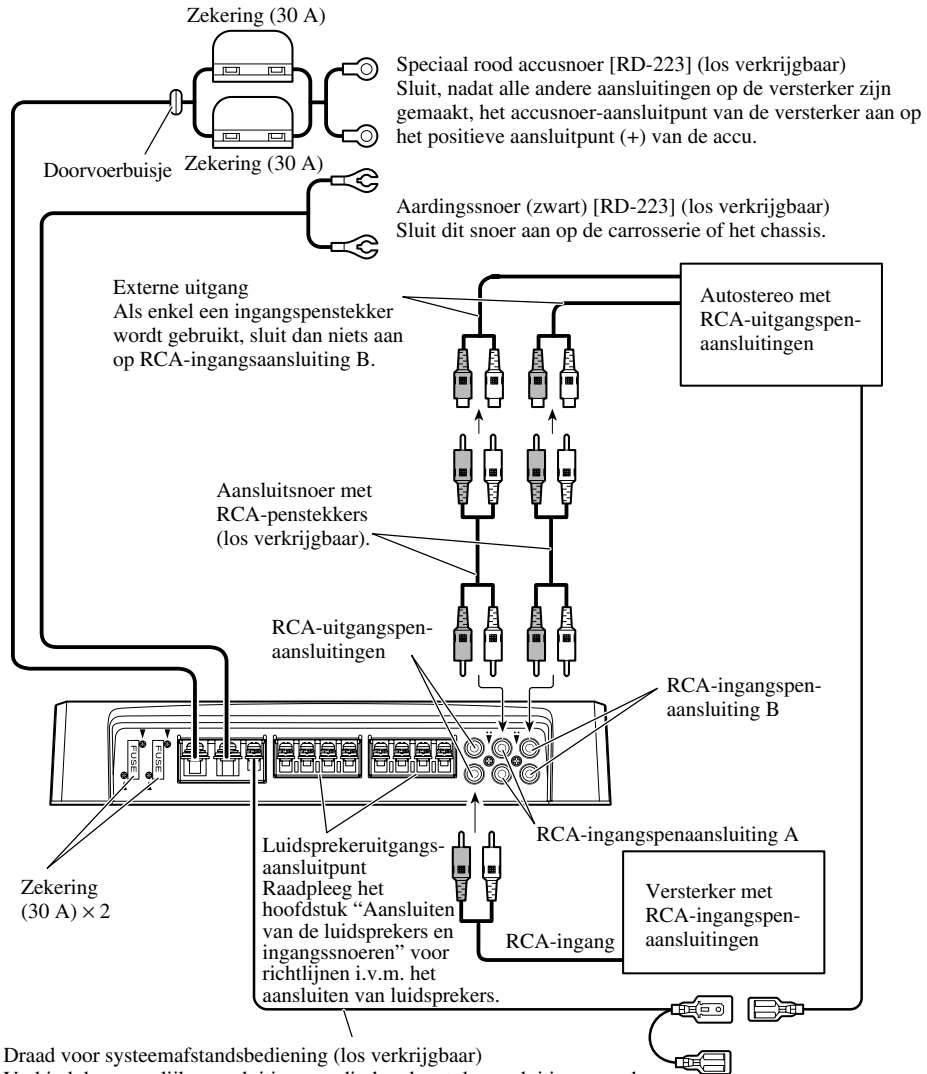
- Aard het luidsprekersnoer niet rechtstreeks en sluit evenmin een negatief snoer (-) aan voor verschillende luidsprekers.
- Dit toestel is ontworpen voor auto's met een accu van 12 V en negatieve aarding. Kijk bijgevoeg eerst de accuspanning na voor u het toestel installeert in een recreatief voertuig, vrachtwagen of bus.
- De accu raakt mogelijk uitgeput indien de auto-stereo langdurig is ingeschakeld maar de motor stationair draait of is uitgeschakeld. Zet de auto-stereo uit wanneer de motor stationair draait of is uitgeschakeld.
- Als het systeem-afstandbedieningssnoer van de versterker is aangesloten op de spanningsaansluiting via de contactschakelaar (12 V gelijkstroom), is de versterker altijd ingeschakeld wanneer het contact aanstaat, ongeacht of de auto-stereo wel of niet door u is aangezet. Hierdoor raakt de accu mogelijk uitgeput wanneer de motor stationair draait of is uitgeschakeld.

- Luidsprekers die op de versterker worden aangesloten moeten overeenstemmen met de hieronder vermelde normen. Indien dat niet het geval is, kan dit leiden tot brand of beschadiging van de luidspreker. Gebruik luidsprekers met een impedantie van 2 t/m 8 ohm. In geval van twee-kanaals en andere brugverbindingen moet de luidsprekerimpedantie 4 t/m 8 ohm zijn.
- Plaats en leid het los verkrijgbare accudraad zo ver als mogelijk uit de buurt van de luidsprekerdraden. Plaats en leid het los verkrijgbare accudraad en aardedraad, luidsprekerdraden en de versterker zo ver als mogelijk uit de buurt van de antenne, antennekabel en tuner.
- Snoeren voor dit toestel en overeenkomende snoeren voor andere toestellen hebben mogelijk verschillende kleuren ookal is de functie van de snoeren hetzelfde. Zie voor het verbinden van dit toestel met een ander toestel daarom de installatiehandleiding van beide toestellen en verbind de snoeren met dezelfde functie met elkaar.

Luidsprekerkanaal	Luidsprekertype	Vermogen
Vier kanalen	Subwoofer	Nominale ingang: min. 75 W
	Andere dan subwoofer	Maximale ingang: min. 150 W
Twee kanalen	Subwoofer	Nominale ingang: min. 300 W
	Andere dan subwoofer	Maximale ingang: min. 600 W
Drie kanalen	Subwoofer	Nominale ingang: min. 75 W
Luidsprekeruitgang A	Andere dan subwoofer	Maximale ingang: min. 150 W
Drie kanalen	Subwoofer	Nominale ingang: min. 300 W
Luidsprekeruitgang B	Andere dan subwoofer	Maximale ingang: min. 600 W

Aansluitschema

- Dit schema laat de verbindingen zien bij gebruik van een externe uitgang (subwoofer uitgang). Schuif de ingangsschakelaar naar links.
- Bij gebruik van een luidspreker-uitgang zullen de noodzakelijke verbindingen afwijken van dit schema. Raadpleeg voor details de paragraaf "Gebruik van de luidspreker-ingang". In beide gevallen dient u de ingangsschakelaar op de juiste stand te zetten. Zie voor details hieromtrent de paragraaf "Instellen van dit toestel".

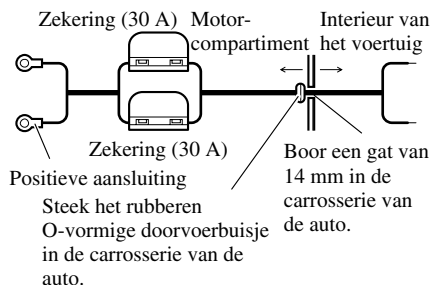


Aansluiten van het spanningsaansluitpunt

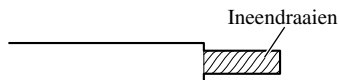
- Gebruik altijd het los verkrijgbare, speciale rode accu- en aarddraad [RD-223]. Verbind het accudraad direct met de positieve pool (+) van de autoaccu en het aarddraad met het chassis van de auto.

1. Trek het accudraad van het motorgedeelte naar de cabine van de auto.

- Sluit, nadat alle andere aansluitingen op de versterker zijn gemaakt, het accusnoer-aansluitpunt van de versterker aan op het positieve aansluitpunt (+) van de accu.

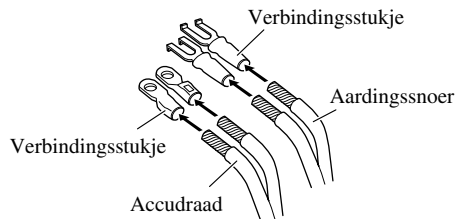


2. Draai het accudraad, aarddraad en systeemafstandsbedieningsdraad ineen.



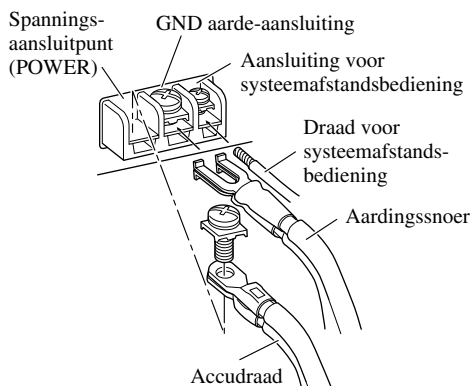
3. Bevestig verbindingstukjes aan de uiteinden van de draden. De verbindingstukjes zijn niet bijgeleverd.

- Klem de verbindingstukjes met een tangetje aan de draden.



4. Sluit de draden aan.

- Zet de draden stevig met de schroeven van de aansluitingen vast.

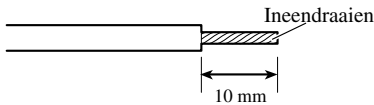


WAARSCHUWING

Als de accudraad niet goed wordt bevestigd aan het aansluitpunt met behulp van de schroef, kan het aansluitpunt oververhit raken, hetgeen kan leiden tot schade en letsel, met inbegrip van lichte brandwonden.

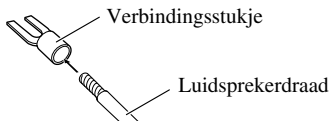
Verbinden van de luidspreker-uitgangsaansluitingen

1. Verwijder ongeveer 10 mm isolatie van het uiteinde van de luidsprekerdraden met een tang, en draai de draadstrengen ineen.



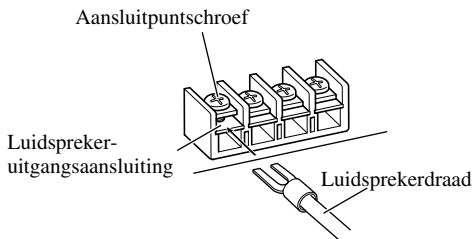
2. Bevestig verbindingstukjes aan de uiteinden van de luidsprekerdraden. De verbindingstukjes zijn niet bijgeleverd.

- Klem de verbindingstukjes met een tangetje aan de draden.



3. Verbind de luidsprekerdraden met de luidsprekeruitgangsaansluiting.

- Zet de luidsprekerdraden goed met de schroeven van de aansluiting vast.



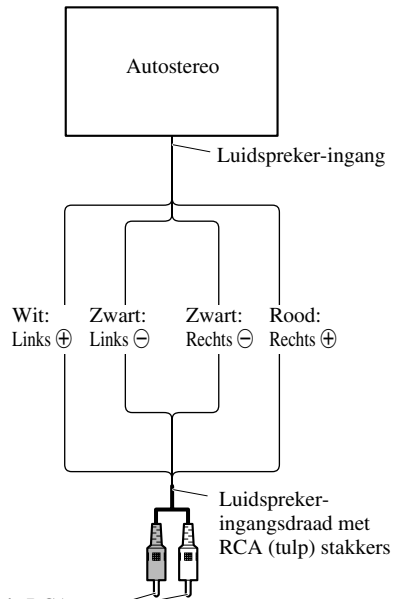
Gebruik van de luidspreker-ingang

Sluit de uitgangsdraden van de autostereo aan op de versterker via de meegeleverde luidspreker-ingangsdraad met RCA (tulp) stekkers.

- Schuif de ingangsschakelaar naar rechts.

- Voor een ingangssignaal met vier kanalen dient u twee luidspreker-ingangsdraden met RCA (tulp) stekkers te verbinden met de RCA (tulp) ingangsaansluitingen A en B. U moet de ingangsschakelaar naar rechts zetten.
- Voor een ingangssignaal met twee kanalen dient u de luidspreker-ingangsdraad met RCA (tulp) stekkers te verbinden met de RCA (tulp) ingangsaansluiting A. Verbind niets met RCA (tulp) ingangsaansluiting B. U moet de ingangsschakelaar naar links zetten.

■ Verbindingen bij gebruik van de luidspreker-ingang



Naar de RCA-ingangsaansluiting van dit toestel.

- Als resultaat van het aansluiten van de luidspreker van de autostereo op de versterker, zal de stroom voor de versterker automatisch worden ingeschakeld wanneer de autostereo aan wordt gezet. In dit geval is het niet nodig de draad voor de systeemafstandsbediening aan te sluiten.

Opmerking:

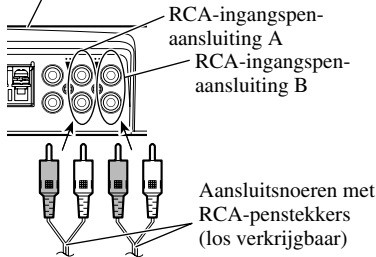
- Sluit de draad voor de systeemafstandsbediening aan wanneer de stroom voor de versterker niet ingeschakeld moet worden wanneer de autostereo wordt aan gezet.

Aansluiten van de luidsprekers en ingangssnoeren

De luidsprekeruitgangsstand kan voor vier, drie (stereo + mono) of twee kanalen (stereo, mono) zijn. Sluit de luidsprekersnoeren aan overeenkomstig de gewenste functie zoals aangegeven in de onderstaande afbeeldingen.

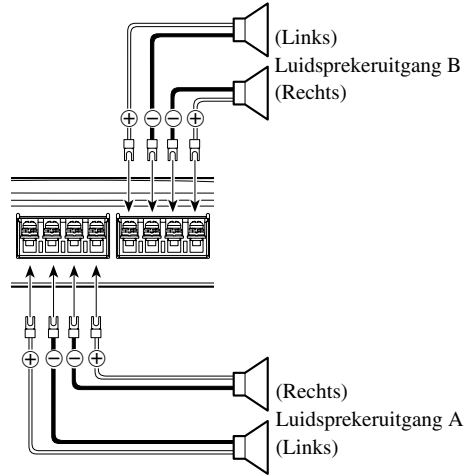
Vier kanalen

De ingangskeuzeschakelaar bevindt zich op de bovenkant van het toestel. Voor tweekanaals ingangssignalen dient u deze schakelaar naar links te zetten. Voor vierkanaals ingangssignalen dient u deze schakelaar naar rechts te zetten.



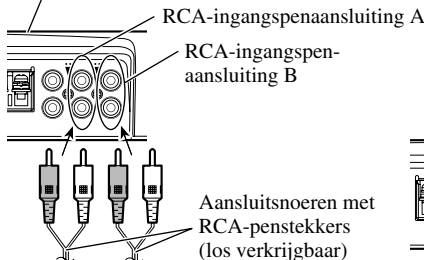
Van auto-stereo (RCA uitgang)

Indien slechts één ingangsplug wordt gebruikt, bijvoorbeeld wanneer de auto-stereo slechts één uitgang (RCA uitgang) heeft, verbindt u de plug met de RCA-ingangsaansluiting A maar sluit u niets op RCA-ingangsaansluiting B aan.



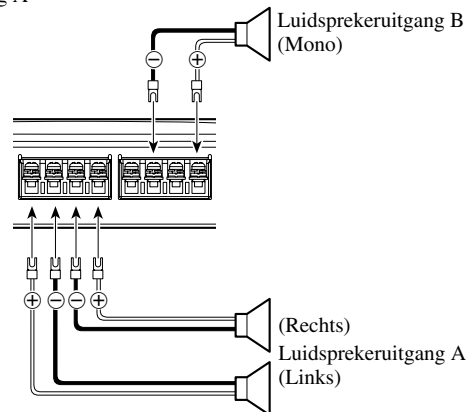
Drie kanalen

De ingangskeuzeschakelaar bevindt zich op de bovenkant van het toestel. Voor tweekanaals ingangssignalen dient u deze schakelaar naar links te zetten. Voor vierkanaals ingangssignalen dient u deze schakelaar naar rechts te zetten.



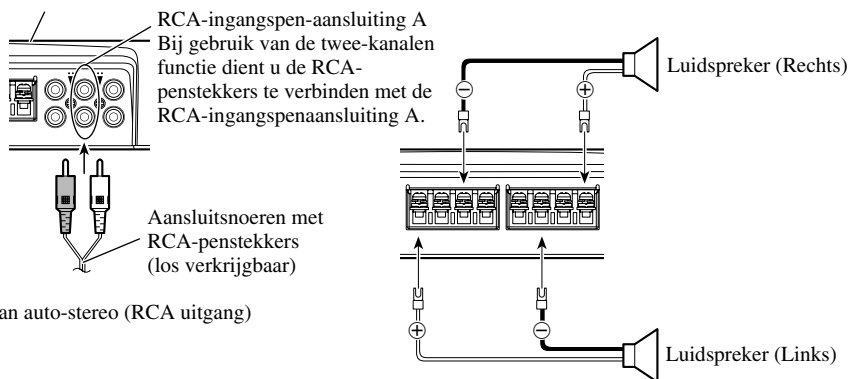
Van auto-stereo (RCA uitgang)

Indien slechts één ingangsplug wordt gebruikt, bijvoorbeeld wanneer de auto-stereo slechts één uitgang (RCA uitgang) heeft, verbindt u de plug met de RCA-ingangsaansluiting A maar sluit u niets op RCA-ingangsaansluiting B aan.



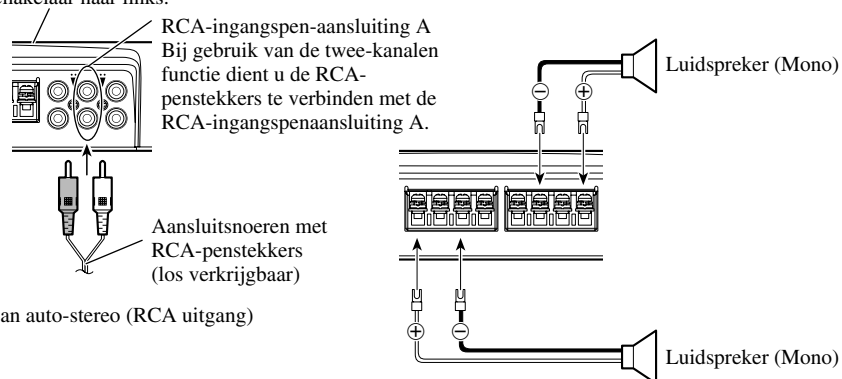
Twee kanalen (stereo)

De ingangskeuzeschakelaar bevindt zich op de bovenkant van het toestel. Schuif deze schakelaar naar links.



Twee kanalen (mono)

De ingangskeuzeschakelaar bevindt zich op de bovenkant van het toestel. Schuif deze schakelaar naar links.





WAARSCHUWING

- Niet installeren op:
 - Plaatsen waar het de bestuurder of passagiers zou kunnen verwonden wanneer de auto plotseling stopt.
 - Plaatsen waar de bestuurder door de eenheid tijdens het rijden zou kunnen worden gehinderd, zoals bijvoorbeeld op de vloer voor de bestuurdersstoel.
- Controleer dat draden niet in de weg van de stoelverstelmechanismen zitten. Dit zou namelijk kortsluiting kunnen veroorzaken.
- Controleer of er zich geen onderdelen achter het paneel bevinden wanneer u een gat boort voor de installatie van de versterker. Zorg ervoor dat alle kabels en belangrijke onderdelen zoals brandstofleidingen, remleidingen en de elektrische bedrading beveiligd zijn en niet kunnen worden beschadigd.
- Plaats tapse schroeven zodanig dat de kop van de schroef niet in aanraking met draden komt. Dit is belangrijk en voorkomt dat draden door trillingen van het voertuig door worden gesneden met brand tot gevolg.
- Laat de versterker IN GEEN GEVAL in contact komen met vloeistoffen, bijvoorbeeld als gevolg van de opstelling van de versterker. Dit kan leiden tot elektrische schokken. De versterker en luidsprekers kunnen ook beschadigd raken, rook produceren en oververhit raken door contact met vloeistoffen. Daarbij kan het oppervlak van de versterker en het oppervlak van aangesloten luidsprekers heet worden, hetgeen kan leiden tot lichte brandwonden.
- Gebruik de bijgeleverde onderdelen op de manier die is beschreven om de installatie uit te voeren zoals het hoort. Als andere onderdelen dan diegene die zijn bijgeleverd worden gebruikt, is het mogelijk dat inwendige onderdelen van de versterker schade oplopen of loskomen, zodat de versterker niet meer werkt.
- Vervang de zekering in geen geval door één met een hoger vermogen of hogere waarde dan de originele. Gebruik van een verkeerde zekering kan leiden tot oververhitting en rookontwikkeling en tot beschadiging van het product en letsel, bijvoorbeeld brandwonden.



WAARSCHUWING:

Om slechte werking en/of letsel te voorkomen

- Zorg dat de ventilatie van de versterker niet wordt gehinderd, en let derhalve op de volgende punten tijdens het installeren.
 - Zorg dat er voor een goede vrije ruimte boven de versterker is.
 - Bedeck de versterker niet met een vloermat of kleed.

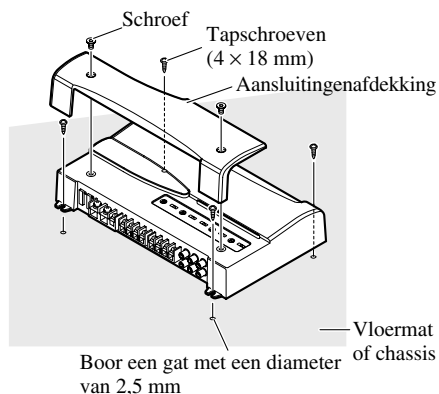
- Laat de versterker IN GEEN GEVAL in contact komen met vloeistoffen, bijvoorbeeld als gevolg van de opstelling van de versterker. Dit kan leiden tot elektrische schokken. De versterker en luidsprekers kunnen ook beschadigd raken, rook produceren en oververhit raken door contact met vloeistoffen. Daarbij kan het oppervlak van de versterker en het oppervlak van aangesloten luidsprekers heet worden, hetgeen kan leiden tot lichte brandwonden.
- Installeer de versterker niet op onstabiele plaatsen, zoals op de reservebandhouder.
- De beste installatieplaats is verschillend afhankelijk van het automerk en model en uw wensen. Plaats de versterker echter beslist stevig op een stabiele plaats.
- Maak eerst voorlopige aansluitingen en ga na of de versterker en het systeem naar behoren werken.
- Na het installeren van de versterker, moet u controleren dat het reservewiel, de krik en het gereedschap nog gemakkelijk kunnen worden verwijderd.

Voorbeeld van installatie op de vloermat of op het chassis

1. Zet de versterker op de plaats waar hij moet worden geïnstalleerd. Steek de bijgeleverde tapschroeven (4×18 mm) in de schroefgaten. Druk met een schroevendraaier op de schroeven zodat ze een inkeping maken op de plaats waar de gaten voor de installatie moeten komen.
2. Boor gaten met een diameter van 2,5 mm op de plaatsen die zijn gemerkt en installeer de versterker, ofwel op de vloermat ofwel rechtstreeks op het chassis.

Terugzetten van de aansluitingenafdekking

1. Pas de aansluitingenafdekking netjes op het toestel en doe de schroeven terug.
2. Draai de schroeven vast met een inbussleutel van 4 mm (niet meegeleverd).



Technische gegevens

Spanningsbron	14,4 V gelijkstroom (10,8 V t/m 15,1 V toelaatbaar)
Aarding	Negatieve klem aan massa
Stroomverbruik	27,7 A (met continu spanning, 4 Ω)
Gemiddeld stroomverbruik*	10,4 A (4 Ω voor vier kanalen) 20,2 A (4 Ω voor twee kanalen) 20,2 A (2 Ω voor vier kanalen)
Zekering	30 A \times 2
Afmetingen	304 (B) \times 56 (H) \times 202 (D) mm
Gewicht	3,0 kg (Excl. bedrading)
Maximale spanningsuitvoer	150 W \times 4 (4 Ω) / 600 W \times 2 (4 Ω)
Continu uitgangsvermogen	75W \times 4 (bij 14,4 V, 4 Ω , 20 Hz t/m 20 kHz 1,0% THV) 300 W \times 2 (bij 14,4 V, 4 Ω , 1 kHz 1,0% THV) 150 W \times 4 (bij 14,4 V, 2 Ω , 1 kHz 1,0% THV)
Aansluitimpedantie	4 Ω (2 Ω t/m 8 Ω toelaatbaar) (Geschakelde verbinding: 4 Ω t/m 8 Ω toelaatbaar)
Frequentieweergave	10 Hz t/m 40 kHz (+0 dB, -3 dB)
Signaal/ruisverhouding	100 dB (IEC-A netwerk)
Vervorming	0,005 % (10 W, 1 kHz)
Scheiding	70 dB (1 kHz)
Laag-doorlaatfilter	Afsnijfrequentie: 40 Hz t/m 120 Hz Afsnijfsteilheid: -12 dB/oct
Hoog-doorlaatfilter	Afsnijfrequentie: 40 Hz t/m 120 Hz Afsnijfsteilheid: -12 dB/oct
Versterkingsregelaar	RCA: 400 mV t/m 6,5 V Luidspreker: 1,6 V t/m 26 V
Maximale ingangsniveau / -impedantie	RCA: 6,5 V / 22 k Ω Luidspreker: 26 V / 90 k Ω

Opmerking:

- Technische gegevens en ontwerp zijn ter productverbetering zonder voorafgaande kennisgeving wijzigbaar.

*Gemiddeld stroomverbruik

- Het gemiddelde stroomverbruik is zo goed als gelijk aan het maximale stroomverbruik van dit toestel bij ontvangst van een audiosignaal. Gebruik deze waarde bij het uitrekenen van het totale stroomverbruik van meerdere vermogensversterkers.

Инструкции перед началом эксплуатации данного устройства 1

Регистрация изделия.....	1
Действия в случае возникновения проблем	2
ОСТОРОЖНО!	2
ОСТОРОЖНО!	2
ПРЕДУПРЕЖДЕНИЕ	2

Настройка устройства 3

Крышка	3
Контроль предельной частоты	3
Переключатель входа	3
Переключатель ВФС (переключатель частоты биения)	3
Переключатель LPF (фильтра низких частот)/ HPF (фильтра высоких частот)	4
Многопозиционный переключатель входа	4
Индикатор питания	4
Регулирование усиления	4

Подключение устройства 5

Схема соединений	6
Соединение клеммы источника питания	7
Соединение выходных зажимов динамика ..	8
Использование входного разъема динамика	8
Подключение динамиков и выходных проводов	9

Установка 11

Пример установки усилителя на коврик или на раме автомобиля	12
Возвращение крышки на место	12

Спецификации 13

Благодарим вас за покупку данного устройства фирмы PIONEER. Прежде чем начать эксплуатацию данного устройства, обязательно ознакомьтесь с настоящим руководством.



Если вы желаете утилизировать данное изделие, не выбрасывайте его вместе с обычным бытовым мусором. Существует отдельная система сбора использованных электронных изделий в соответствии с законодательством, которая предполагает соответствующее обращение, возврат и переработку.

Частные клиенты-в 25 странах-членах ЕС, в Швейцарии и Норвегии могут бесплатно возвращать использованные электронные изделия в соответствующие пункты сбора или дилеру (при покупке сходного нового изделия).

В странах, не перечисленных выше, для получения информации о правильных способах утилизации обращайтесь в соответствующие учреждения. Поступая таким образом, вы можете быть уверены в том, что утилизируемый продукт будет соответствующим образом обработан, передан в соответствующий пункт и переработан без возможных негативных последствий для окружающей среды и здоровья людей.

Примечание:

В соответствии со статьей 5 закона Российской Федерации "О защите прав потребителей" и постановлением правительства Российской Федерации № 720 от 16.06.97 компания Pioneer Europe NV оговаривает следующий срок службы изделий, официально поставляемых на российский рынок.
Автомобильная электроника: 6 лет
Другие изделия (головные телефоны, микрофоны, и т.п.): 5 лет

Регистрация изделия

Посетите наш сайт:


www.pioneer-rus.ru

Зарегистрируйте приобретенное изделие. Мы сохраним сведения о Вашей покупке, что поможет Вам сослаться на эту информацию в случае страхового требования по причине потери или кражи.

Действия в случае возникновения проблем

Если устройство не работает должным образом, свяжитесь с вашим дилером или ближайшей утвержденной станцией обслуживания продукции PIONEER.

! ОСТОРОЖНО!

Никогда не заменяйте перегоревший предохранитель предохранителем с большим номиналом. Использование неподходящего предохранителя может привести к перегреву и выделению дыма. Это также может привести к повреждению устройства и травмам, в том числе ожогам.

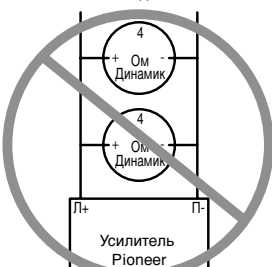
! ОСТОРОЖНО!

Схема А – Правильное подключение



Мостовое соединение 4 Ом

Схема В – Неправильное подключение



Мостовое соединение 2 Ом

При установке или использовании вашего усилителя Pioneer НЕ ПОДКЛЮЧАЙТЕ динамики с номиналом 4 Ом (или ниже) параллельно, чтобы получить мостовое соединение 2 Ом (или ниже) (Схема В). Неправильное мостовое соединение может привести к повреждению усилителя, выделению дыма и перегреву. Кроме того, поверхность усилителя может нагреться, и прикосновение к ней может привести к незначительным ожогам. Для обеспечения правильной установки и использования мостового соединения двухканального усилителя и достижения нагрузки 4 Ом, выполните параллельное соединение 8 Ом динамиков с Левым+ и Правым- каналами (Схема А) или воспользуйтесь одним 4 Ом динамиком. При использовании четырехканального

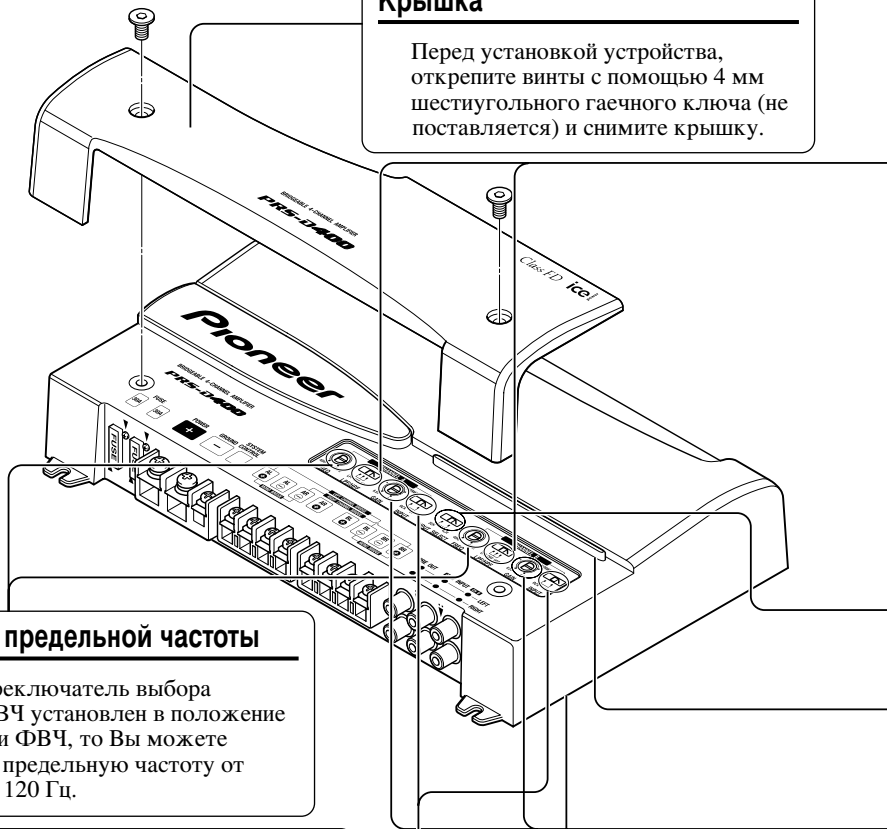
усилителя следует выполнить соединение в соответствии со схемой мостового соединения, приведенной на задней панели вашего усилителя, и параллельно подключить два 8 Ом динамика для обеспечения нагрузки 4 Ом или подключить один 4 Ом динамик к каждому каналу. Если у вас возникнут какие-либо вопросы, свяжитесь с уполномоченным дилером фирмы Pioneer или позвоните в отдел обслуживания покупателей фирмы Pioneer.

ПРЕДУПРЕЖДЕНИЕ

- Всегда используйте специальные красные провода [RD-223] для батареи и заземления, которые продаются отдельно. Подключите провод батареи непосредственно к положительной (+) клемме батареи автомобиля, а провод заземления – к корпусу автомобиля.
- Не прикасайтесь к усилителю влажными руками, так как это может привести к поражению электрическим током. Также не следует дотрагиваться до усилителя, если на него попала какая-либо жидкость.
- Для обеспечения безопасности движения и безопасных условий вождения установите такой уровень громкости, при котором вам будет слышен обычный шум дорожного движения.
- Если перегорит предохранитель отдельно продаваемого провода батареи или предохранитель усилителя, проверьте соединения источника питания и динамиков. Определите и устраните причину, затем замените предохранитель новым предохранителем такого же размера и номинала.
- Для того, чтобы предотвратить выход из строя усилителя и динамиков, при возникновении нестандартных условий защитная цепь прекратит подачу питания на усилитель (при этом прекратится воспроизведение звука). В этом случае следует отключить электропитание системы и проверить соединение источника питания и динамиков. Определите и устраните причину неисправности.
- Свяжитесь с дилером, если вы не можете определить причину неисправности.
- Во избежание поражения электрическим током или короткого замыкания во время подключения и установки перед выполнением работ следует обязательно отсоединить отрицательную (-) клемму батареи.
- При просверливании отверстий для установки усилителя убедитесь в том, что за панелью не расположены какие-либо детали. Обязательно защитите от возможных повреждений все кабели и важное оборудование, например трубки топливной и тормозной систем и электропроводку.
- НЕ УСТАНАВЛИВАЙТЕ усилитель в таких местах, где на него могут попадать какие-либо жидкости, так как это может привести к поражению электрическим током. Кроме того, контакт с жидкостью может привести к повреждению усилителя и динамиков, выделению дыма и перегреву. При этом поверхность усилителя и подключенных к нему динамиков может нагреться и прикосновение к ней может привести к незначительным ожогам.

Крышка

Перед установкой устройства, открепите винты с помощью 4 мм шестиугольного гаечного ключа (не поставляется) и снимите крышку.



Контроль предельной частоты

Если переключатель выбора ФНЧ/ФВЧ установлен в положение ФНЧ или ФВЧ, то Вы можете выбрать предельную частоту от 40 Гц до 120 Гц.

Переключатель входа

Возможен ввод от внешнего выходного разъема автомобильной магнитолы (выходной разъем низкочастотного динамика) или от выходного разъема динамика автомобильной магнитолы. Когда используется внешний выходной разъем (выход низкочастотного динамика) сдвиньте переключатель влево. Для соединений по инструкции, смотрите раздел “Схема соединений”. Когда используется выходной разъем динамика, сдвиньте переключатель вправо. В этом случае, необходимо использовать поставляемый провод входного разъема динамика со штекером шнура RCA. Подробно смотрите раздел “Использование входного разъема динамика”.

Переключатель ВФС (переключатель частоты биения)

Переключатель ВФС находится в нижней части устройства. Если при прослушивании на вашей автомобильной магнитоле сигнала радиостанции диапазона средних / длинных волн слышится биение, измените положение переключателя ВФС при помощи стандартной отвертки.

Переключатель LPF (фильтра низких частот)/HPF (фильтра высоких частот)

Установите переключатель LPF/HPF следующим образом в соответствии с типом динамика, подключенного к выходному разъему динамика и автомобильной магнитоле:

Переключатель LPF/HPF	Звуковой диапазон частот на выходе	Тип динамика	Примечания
LPF (Левый)	* — 40 Гц до 120 Гц	Низкочастотный динамик	Подключите низкочастотный динамик
OFF (центральный)	Широкополосный	Широкополосный	
HPF (Правый)	* 40 Гц до 120 Гц —	Широкополосный	Используйте, если вы хотите ослабить очень низкие частоты*, так как для используемых вами динамиков этот фильтр не требуется.

* Смотрите раздел “Контроль предельной частоты”.

Индикатор питания

Индикатор питания загорается при подаче электропитания.

Многопозиционный переключатель входа

При двухканальном входном сигнале, сдвиньте переключатель влево. При четырехканальном входном сигнале, сдвиньте переключатель вправо.

Регулирование усиления

Настройка регуляторов усиления А и В поможет обеспечить соответствие выходного сигнала автомобильной магнитолы параметрам усилителя Pioneer. Как правило, регуляторы усиления следует установить в положение NORMAL. Если даже при прибавлении громкости автомобильной магнитолы подается слабый выходной сигнал, поверните данные регуляторы по часовой стрелке. Если при прибавлении громкости автомобильной магнитолы происходит искажение звука, поверните данные регуляторы против часовой стрелки.

- Если используется только один входной штекер, регуляторы усиления динамиков А и В следует установить в одинаковое положение.
- При использовании магнитолы с разъемами RCA (стандартный выходной сигнал 500 мВ), установите эти регуляторы в положение NORMAL. При использовании автомобильной магнитолы Pioneer с разъемами RCA с максимальным выходным сигналом 4 В или выше, отрегулируйте уровень в соответствии с уровнем выходного сигнала автомобильной магнитолы.

! ОСТОРОЖНО!

- Отсоедините отрицательную (-) клемму батареи, чтобы не допустить короткого замыкания и повреждения устройства.
- Закрепите провода кабельными зажимами или липкой лентой. Для защиты проводов следует обмотать их липкой лентой в тех местах, где они соприкасаются с металлическими частями.
- Не располагайте провода в местах, подверженных воздействию высокой температуры, например в таком месте, где на них может действовать нагретый воздух из обогревателя. Нагревание может привести к повреждению изоляции, в результате чего может произойти короткое замыкание на корпус автомобиля.
- Убедитесь в том, что провода не мешают движущимся частям автомобиля, например, рычагу переключения коробки передач, ручному тормозу или механизму передвижения сидений.
- Не укорачивайте какие-либо провода. При укорачивании провода цепь защиты может не сработать в нужный момент.
- Никогда не подавайте электропитание на другое оборудование посредством снятия изоляции провода, по которому подается электропитание, и подключения к этому проводу. Пропускная способность провода по току будет превышена, что приведет к перегреву.
- Никогда не заменяйте перегоревший предохранитель предохранителем с большим номиналом. Использование неподходящего предохранителя может привести к перегреву и выделению дыма. Это также может привести к повреждению устройства и травмам, в том числе ожогам.

! ОСТОРОЖНО!

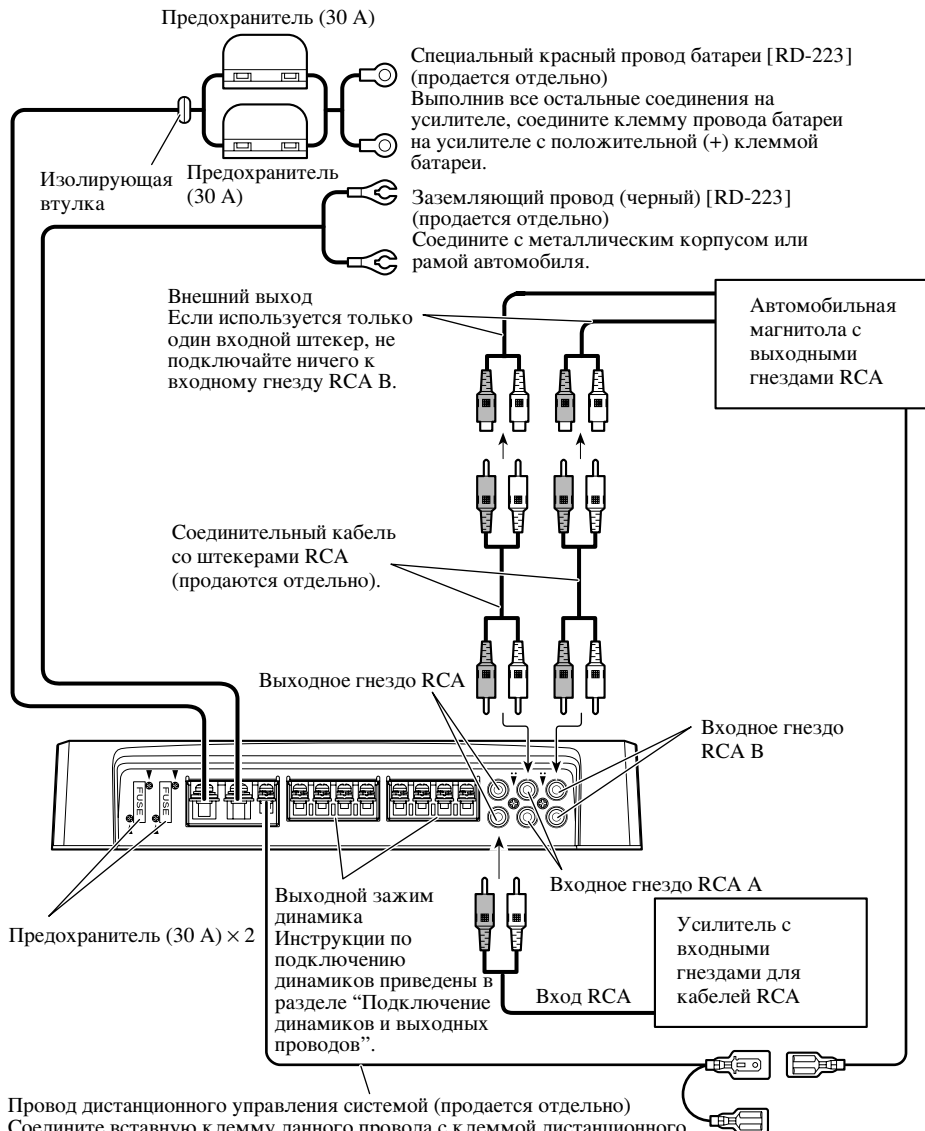
Инструкции по предупреждению повреждений и/или травм

- Никогда не заземляйте провод динамика непосредственно и не подключайте отрицательный (-) провод к нескольким динамикам.
- Данное устройство предназначено для автомобилей с батарей 12 вольт и отрицательным заземлением. Перед установкой устройства в транспортном средстве для отдыха, грузовом автомобиле или автобусе необходимо проверить напряжение батареи.
- Батарея может разрядиться, если автомобильная магнитола продолжает работать в течение долгого времени при отключенном или работающем в холостом режиме двигателе. Не включайте автомобильную магнитолу, если двигатель отключен или работает в холостом режиме.
- Если провод усилителя для дистанционного управления системой соединен с клеммой источника питания через замок зажигания (12 В постоянного тока), усилитель всегда будет включаться при включении зажигания, независимо от того, включена автомобильная магнитола или нет. Поэтому батарея может разрядиться, если двигатель отключен или работает в холостом режиме.
- Подключаемые к усилителю динамики должны соответствовать нижеперечисленным стандартам. В случае несоответствия динамики могут загореться или из них может пойти дым. Это также может привести к повреждению динамиков. Полное сопротивление динамиков должно быть в диапазоне от 2 до 8 Ом. Однако для двухканальных и иных мостовых соединений полное сопротивление динамиков должно быть в диапазоне от 4 до 8 Ом.
- Отдельно продаваемый провод батареи следует разместить как можно дальше от проводов динамиков. Отдельно продаваемый провод батареи, провод заземления, провода динамиков и усилитель следует разместить как можно дальше от антенны, кабеля антенны и тюнера.
- Кабели данного устройства и других устройств могут быть разного цвета, несмотря на то что, они выполняют одинаковые функции. При соединении данного устройства с другим устройством, ознакомьтесь с инструкциями по установке каждого устройства и соедините кабели, выполняющие одинаковые функции.

Канал динамика	Тип динамика	Мощность
Четыре канала	Низкочастотный динамик	Номинальная входная мощность: 75 Вт минимум
	Любой динамик, кроме низкочастотного	Максимальная входная мощность: 150 Вт минимум
Два канала	Низкочастотный динамик	Номинальная входная мощность: 300 Вт минимум
	Любой динамик, кроме низкочастотного	Максимальная входная мощность: 600 Вт минимум
Три канала	Низкочастотный динамик	Номинальная входная мощность: 75 Вт минимум
Выход динамика А	Любой динамик, кроме низкочастотного	Максимальная входная мощность: 150 Вт минимум
Три канала	Низкочастотный динамик	Номинальная входная мощность: 300 Вт минимум
Выход динамика В	Любой динамик, кроме низкочастотного	Максимальная входная мощность: 600 Вт минимум

Схема соединений

- Эта схема показывает соединения, используемые внешним выходным разъемом (выходной разъем низкочастотного динамика). Сдвиньте переключатель входа влево.
- Когда Вы соединяетесь с выходным разъемом динамика, соединения выполняются по схеме. Подробно смотрите раздел “Использование входного разъема динамиков”. В любом случае Вам необходимо выбрать переключатель входа. Подробно смотрите раздел “Настройка устройства”.



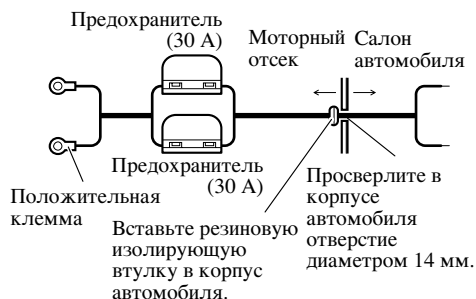
Провод дистанционного управления системой (продается отдельно)
Соедините вставную клемму данного провода с клеммой дистанционного управления на автомобильной магнитоле (SYSTEM REMOTE CONTROL). Клеммы-гнезда могут быть соединены с клеммой управления реле автомобильной антенны. Если на автомобильной магнитоле не предусмотрена клемма дистанционного управления системой, соедините вставную клемму с клеммой источника питания через замок зажигания.

Соединение клеммы источника питания

- Всегда используйте специальные красные провода [RD-223] для батареи и заземления, которые продаются отдельно. Подключите провод батареи непосредственно к положительной (+) клемме батареи автомобиля, а провод заземления – к корпусу автомобиля.

1. Проведите провод батареи из моторного отсека в салон автомобиля.

- Выполнив все остальные соединения на усилителе, соедините клемму провода батареи на усилителе с положительной (+) клеммой батареи.

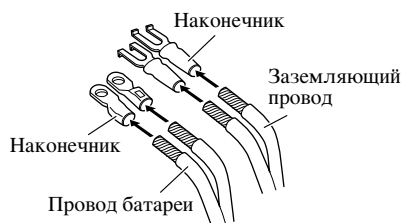


2. Скрутите концы на проводе батареи, проводе заземления и проводе дистанционного управления системой.



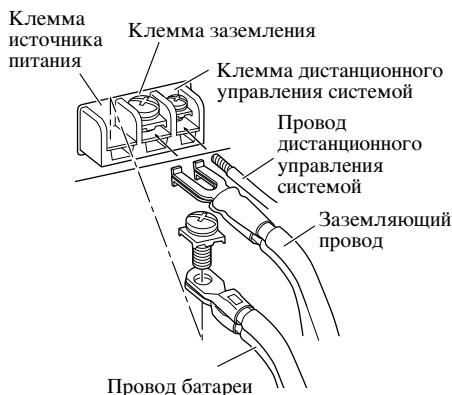
3. Присоедините наконечники проводов. Наконечники проводов не входят в комплект поставки.

- Воспользуйтесь плоскогубцами или другим аналогичным инструментом, чтобы закрепить наконечники на проводах.



4. Подсоедините провода к клеммам.

- Надежно закрепите провода в винтовых зажимах.

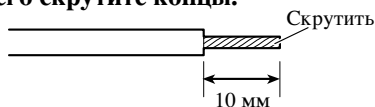


ПРЕДУПРЕЖДЕНИЕ

Неплотное закрепление провода батареи в винтовом зажиме клеммы может вызвать перегрев той части устройства, в которой установлены клеммы, что может привести к повреждению устройства и травмам, в том числе незначительным ожогам.

Соединение выходных зажимов динамика

1. Воспользуйтесь кусачками или другим режущим инструментом, чтобы зачистить концы проводов на приблизительно 10 мм, после чего скрутите концы.



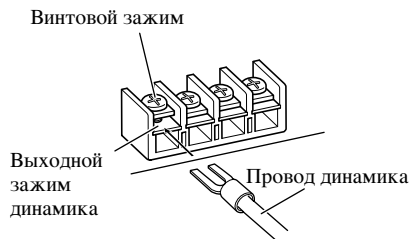
2. Присоедините наконечники к проводам динамиков. Наконечники проводов не входят в комплект поставки.

- Воспользуйтесь плоскогубцами или другим аналогичным инструментом, чтобы закрепить наконечники на проводах.



3. Подсоедините провода динамиков к выходным зажимам динамиков.

- Надежно закрепите провода динамиков в винтовых зажимах.

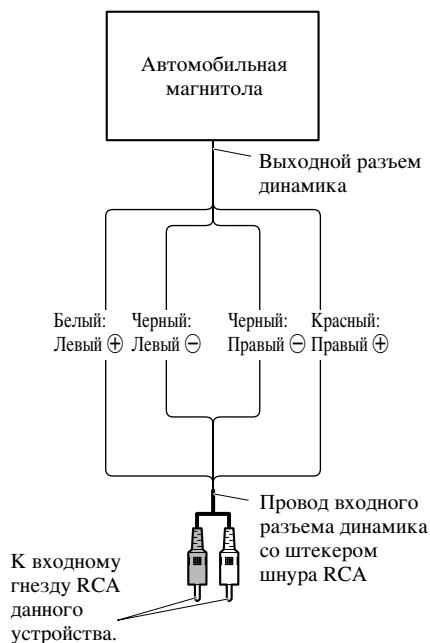


Использование входного разъема динамика

Присоедините выходные провода динамиков автомобильной магнитолы к усилителю, используя провод входного разъема динамика со штекером шнура RCA.

- Сдвиньте переключатель входа вправо.
- Для четырехканального входного сигнала подсоедините два провода входного разъема динамика со штекером шнура RCA к входному гнезду RCA – А и В. Убедитесь, что сдвинули многопозиционный переключатель входа вправо.
- Для двухканального входного сигнала подсоедините провод входного разъема динамика со штекером шнура RCA к входному гнезду RCA – А. Не подсоединяйте ничего к входному гнезду RCA – В. Убедитесь, что сдвинули многопозиционный переключатель входа влево.

■ Схема соединений при использовании входного разъема динамика



- В результате присоединения выходных проводов динамиков автомобильной магнитолы к усилителю, на усилитель автоматически подается электроэнергия, когда автомобильная магнитола включена. В данном случае нет необходимости присоединять провод системы дистанционного управления.

Примечание:

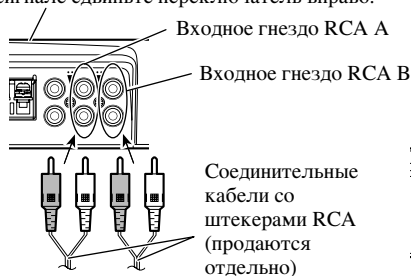
- Присоедините провод системы дистанционного управления, когда на усилитель не подается электроэнергия, тогда как автомобильная магнитола включена.

Подключение динамиков и выходных проводов

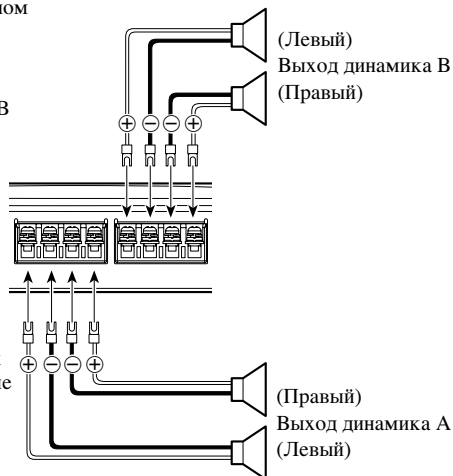
Динамики могут работать в четырехканальном, трехканальном (стерео + моно) или двухканальном (стерео, моно) режимах. Подключите провода динамиков в соответствии с выбранным режимом, как показано на нижеприведенных рисунках.

Четыре канала

Многопозиционный переключатель входа находится на верху устройства. При двухканальном входном сигнале сдвиньте переключатель влево. При четырехканальном входном сигнале сдвиньте переключатель вправо.

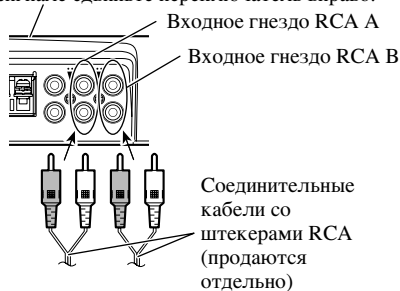


От автомобильной магнитолы (выход RCA)
Если используется только один входной штекер, как например в случае, когда в автомобильной магнитоле предусмотрен только один выход (выход RCA), вставьте штекер во входное гнездо RCA A, а во входное гнездо RCA B штекер вставлять не следует.

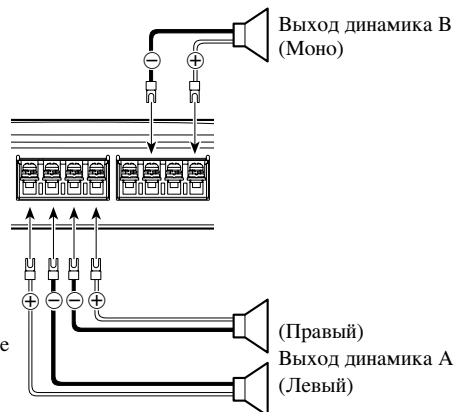


Три канала

Многопозиционный переключатель входа находится на верху устройства. При двухканальном входном сигнале сдвиньте переключатель влево. При четырехканальном входном сигнале сдвиньте переключатель вправо.



От автомобильной магнитолы (выход RCA)
Если используется только один входной штекер, как например в случае, когда в автомобильной магнитоле предусмотрен только один выход (выход RCA), вставьте штекер во входное гнездо RCA A, а во входное гнездо RCA B штекер вставлять не следует.

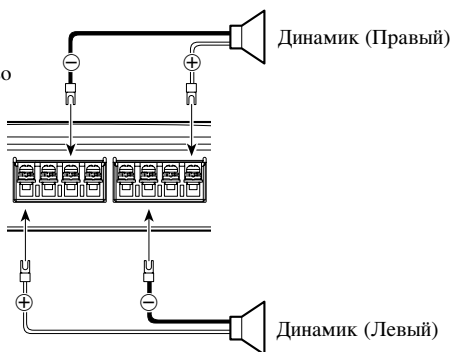


Два канала (стерео)

Многопозиционный переключатель входа находится на верху устройства.
Сдвиньте переключатель влево.



От автомобильной магнитолы (выход RCA)

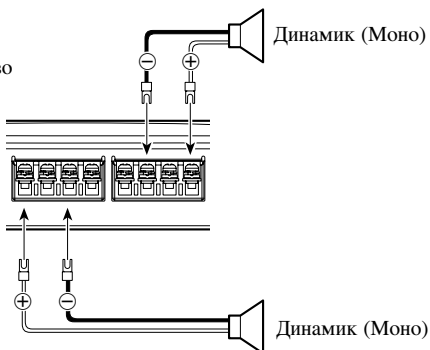


Два канала (моно)

Многопозиционный переключатель входа находится на верху устройства.
Сдвиньте переключатель влево.



От автомобильной магнитолы (выход RCA)



ОСТОРОЖНО!

- При установке устройства необходимо выполнять следующие требования:
 - Не устанавливайте устройство в местах, где оно может травмировать водителя или пассажиров в случае резкого торможения.
 - Не устанавливайте устройство в таких местах, где оно может мешать водителю, например на полу перед сиденьем водителя.
- Провода не должны попадать в механизм передвижения сидений, так как это может привести к короткому замыканию.
- При просверливании отверстий для установки усилителя убедитесь в том, что за панелью не расположены какие-либо детали. Защитите от возможных повреждений все кабели и важное оборудование, например трубки топливной и тормозной системы и электропроводку.
- Установите нарезные винты таким образом, чтобы острия винтов не прикасались к каким-либо проводам. Это требование имеет очень важное значение для предотвращения обрыва проводов в результате вибрации автомобиля. Подобный обрыв может привести к возникновению пожара.
- НЕ УСТАНАВЛИВАЙТЕ усилитель в таких местах, где на него могут попадать какие-либо жидкости. Это может привести к поражению электрическим током. Кроме того, контакт с жидкостью может привести к повреждению усилителя и динамиков, выделению дыма и перегреву. При этом поверхность усилителя и подключенных к нему динамиков может нагреться и прикосновение к ней может привести к незначительным ожогам.
- Для правильной установки следует использовать компоненты, входящие в комплект поставки, в соответствии с приведенными инструкциями. В случае использования каких-либо компонентов, не входящих в комплект поставки, данные компоненты могут повредить внутренние части усилителя или отсоединиться, что приведет к отключению усилителя.
- Никогда не заменяйте перегоревший предохранитель предохранителем с большим номиналом. Использование неподходящего предохранителя может привести к перегреву и выделению дыма. Это также может привести к повреждению устройства и травмам, в том числе ожогам.

ОСТОРОЖНО!

Инструкции по предупреждению сбоев в работе и/или травм

- Для того, чтобы обеспечить необходимое рассеивание тепла, генерируемого усилителем, во время установки обязательно выполните следующее:
 - Установите усилитель таким образом, чтобы над ним было достаточно открытого пространства для обеспечения адекватной вентиляции.
 - Не накрывайте усилитель настилом или ковриком.

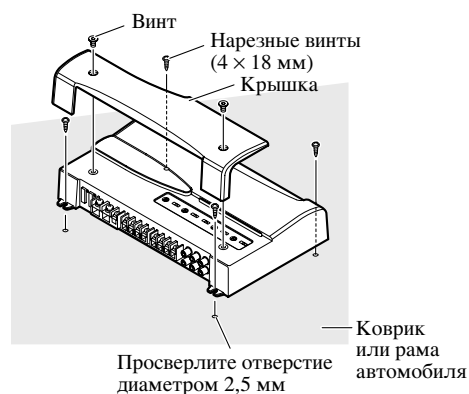
- НЕ УСТАНАВЛИВАЙТЕ усилитель в таких местах, где на него могут попадать какие-либо жидкости. Это может привести к поражению электрическим током. Кроме того, контакт с жидкостью может привести к повреждению усилителя и динамиков, выделению дыма и перегреву. При этом поверхность усилителя и подключенных к нему динамиков может нагреться и прикосновение к ней может привести к незначительным ожогам.
- Не устанавливайте усилитель на нестабильных участках, как например на доске, прикрывающей запасное колесо.
- Лучшее место для установки усилителя зависит от модели автомобиля. Усилитель должен быть закреплен на достаточно устойчивом месте.
- Сначала подсоедините провода временно и убедитесь в том, что усилитель и система работают должным образом.
- Установив усилитель, убедитесь в том, что он не препятствует доступу к запасному колесу, домкрату и инструментам.

Пример установки усилителя на коврике или на раме автомобиля

1. Положите усилитель на место установки. Вставьте нарезные винты (4×18 мм), входящие в комплект поставки, в отверстия для винтов. Надавите на нарезные винты отверткой, чтобы оставить метки в тех местах, где должны быть расположены отверстия.
2. Просверлите отверстия диаметром 2,5 мм в отмеченных точках и установите усилитель, либо на настиле, либо непосредственно на раме автомобиля.

Возвращение крышки на место

1. Выровняйте устройство с крышкой и вставьте винты.
2. Затяните винты с помощью 4 мм шестиугольного гаечного ключа (не поставляется).



Источник питания	14,4 В постоянного тока (допустимое значение от 10,8 В до 15,1 В)
Система заземления	Отрицательная
Потребление тока	27,7 А (при непрерывной подаче электропитания, 4 Ω)
Среднее потребление тока*	10,4 А (4 Ω для четырех каналов) 20,2 А (4 Ω для двух каналов) 20,2 А (2 Ω для четырех каналов)
Предохранитель	30 А × 2
Размеры	304 (ширина) × 56 (высота) × 202 (толщина) мм
Вес	3,0 кг (исключая электропроводку)
Максимальная выходная мощность	150 Вт × 4 (4 Ω) / 600 Вт × 2 (4 Ω)
Непрерывная выходная мощность	75 Вт × 4 (при 14,4 В, 4 Ω, 20 Гц до 20 кГц, общее гармоническое искажение 1,0%) 300 Вт × 2 (при 14,4 В, 4 Ω, 1 кГц, общее гармоническое искажение 1,0%) 150 Вт × 4 (при 14,4 В, 2 Ω, 1 кГц, общее гармоническое искажение 1,0%)
Полное сопротивление нагрузки	4 Ω (допустимое значение 2 Ω до 8 Ω) (Мостовое соединение: допустимое значение 4 Ω до 8 Ω)
Частотная характеристика	10 Гц до 40 кГц (+0 дБ, -3 дБ)
Соотношение сигнал/шум	100 дБ (сеть IEC-A)
Искажение	0,005 % (10 Вт, 1 кГц)
Разделение	70 дБ (1 кГц)
Фильтр низких частот	Граничная частота: 40 Гц до 120 Гц Крутизна характеристики затухания: -12 дБ/окт.
Фильтр высоких частот	Граничная частота: 40 Гц до 120 Гц Крутизна характеристики затухания: -12 дБ/окт.
Регулирование усиления	RCA: 400 мВ до 6,5 В Динамик: 1,6 В до 26 В
Максимальный уровень входного сигнала/ максимальное полное сопротивление	RCA: 6,5 В / 22 кΩ Динамик: 26 В / 90 кΩ

Примечание:

- Спецификации и конструкция могут быть изменены без предварительного уведомления в связи с постоянной работой по улучшению устройства.

*Среднее потребление тока

- Среднее потребление тока приблизительно равно максимальному потреблению тока данным устройством при поступлении в него звукового сигнала. Данное значение следует использовать для расчета общего потребления тока несколькими усилителями мощности.



Visit www.pioneer.co.uk (or www.pioneer-ur.com) to register your product.

Visite www.pioneer.es (o www.pioneer-ur.com) para registrar su producto.

Zum Registrieren Ihres Produktes besuchen Sie bitte www.pioneer.de (oder www.pioneer-ur.com).

Visitez www.pioneer.fr (ou www.pioneer-ur.com) pour enregistrer votre appareil.

Si prega di visitare il sito www.pioneer.it (o www.pioneer-ur.com) per registrare il prodotto.

Bezoek www.pioneer.nl (of www.pioneer-ur.com) om uw product te registreren.

Посетите www.pioneer-rus.ru (или www.pioneer-ur.com) для регистрации приобретенного Вами изделия.

PIONEER CORPORATION

4-1, MEGURO 1-CHOME, MEGURO-KU, TOKYO 153-8654, JAPAN

PIONEER ELECTRONICS (USA) INC.

P.O. Box 1540, Long Beach, California 90801-1540, U.S.A.

TEL: (800) 421-1404

PIONEER EUROPE NV

Haven 1087, Keetberglaan 1, B-9120 Melsele, Belgium

TEL: (0) 3/570.05.11

PIONEER ELECTRONICS ASIACENTRE PTE. LTD.

253 Alexandra Road, #04-01, Singapore 159936

TEL: 65-6472-7555

PIONEER ELECTRONICS AUSTRALIA PTY. LTD.

178-184 Boundary Road, Braeside, Victoria 3195, Australia

TEL: (03) 9586-6300

PIONEER ELECTRONICS OF CANADA, INC.

300 Allstate Parkway, Markham, Ontario L3R 0P2, Canada

TEL: 1-877-283-5901

PIONEER ELECTRONICS DE MEXICO, S.A. de C.V.

Bldv.Manuel Avila Camacho 138 10 piso

Col.Lomas de Chapultepec, Mexico, D.F. 11000

TEL: 55-9178-4270

Published by Pioneer Corporation.

Copyright © 2005 by Pioneer Corporation.

All rights reserved.

Publication de Pioneer Corporation.

Copyright © 2005 Pioneer Corporation.

Tous droits de reproduction et de traduction réservés.

Free Manuals Download Website

<http://myh66.com>

<http://usermanuals.us>

<http://www.somanuals.com>

<http://www.4manuals.cc>

<http://www.manual-lib.com>

<http://www.404manual.com>

<http://www.luxmanual.com>

<http://aubethermostatmanual.com>

Golf course search by state

<http://golfingnear.com>

Email search by domain

<http://emailbydomain.com>

Auto manuals search

<http://auto.somanuals.com>

TV manuals search

<http://tv.somanuals.com>