

Ages 3 & up



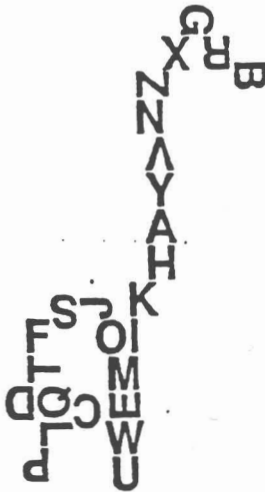
ALPHABET ROADWAY™

Due to last minute changes to this product, the track formation shown on the box cannot be made using the pieces enclosed. However, there are several other combinations that can be made using these pieces. Three of these track formations are shown below. You can also use your imagination to create your own unique track configurations.

HOW ABOUT THIS ONE!



TRY THIS!



THIS ONE'S FUN!



©1989 Children's Television Workshop. Sesame Street MUPPETS ©1988 Muppets, Inc. *Muppet characters are trademarks of Muppets, Inc. Sesame Street and the Sesame Street Sign are trademarks and service marks of the Children's Television Workshop.

Manufactured by Playskool, Inc. Pawtucket, RI 02862 USA

©1988 Playskool, Inc.

P/N 40402200



Ages: 3 & Up

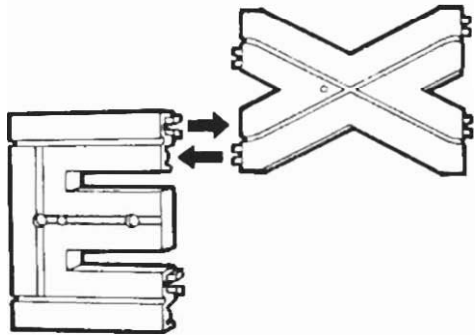


INSTRUCTIONS

Welcome aboard the Alphabet Roadway! This exciting new roadway system lets you create hundreds of different track formations with some or all of the letters included!

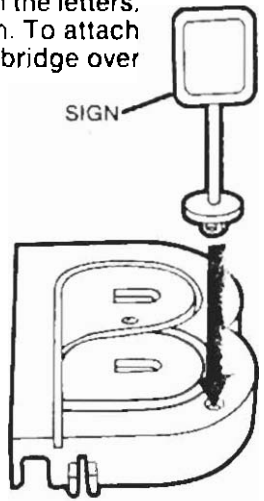
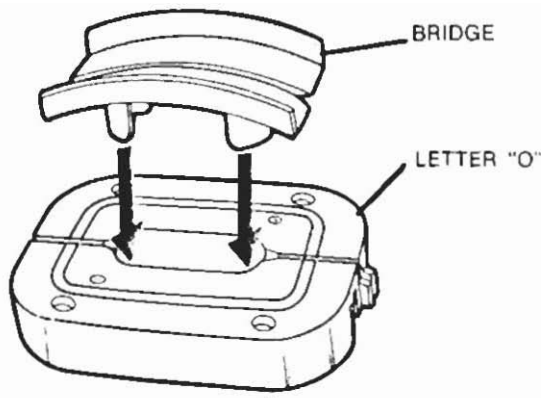
- Includes:**
- 26 Letters (A-Z)
 - 6 Trees
 - 6 Signs
 - Bridge for the Letter "O"
 - 3 Park Benches
 - Motorized Bus
 - Big Bird
 - Grover
 - Cookie Monster
 - Oscar the Grouch
 - Ernie
 - Bert

1 To form a complete roadway, snap the letters together as shown and be sure that all track pieces go together to form a complete loop. This way, the bus will be able to travel continuously. To separate the letters, just pull them apart.

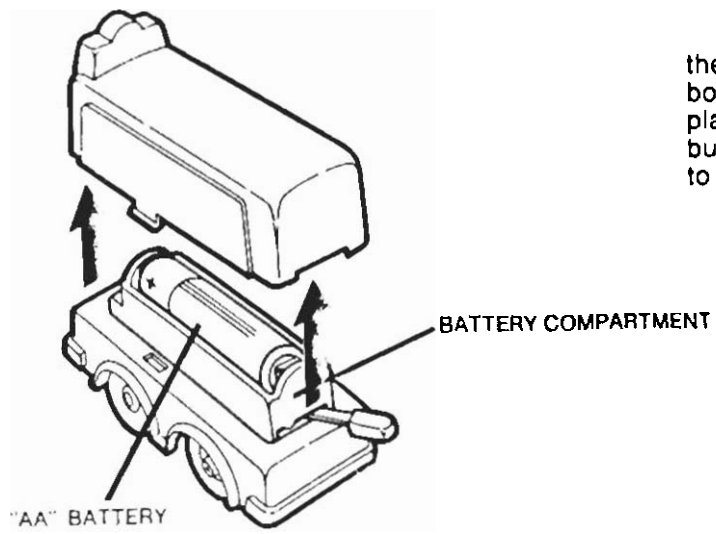


2 After you've finished assembling your roadway, insert the posts on the signs, trees, benches and characters into the holes in the letters.

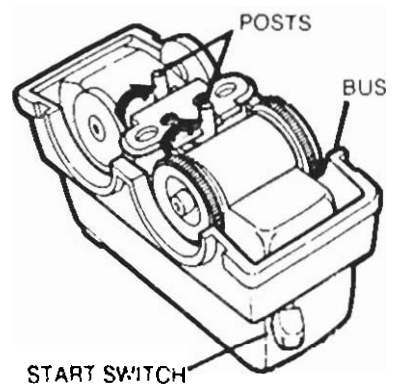
NOTE: Not all track letters have holes in them. To attach the bridge to your Alphabet Roadway, fit the bridge over the letter "O"



3 To insert batteries into the motorized bus, pull off the top of the bus. Insert one "AA" alkaline battery into the battery compartment as shown.



4 To make the bus run on the track, flip down the posts on the bottom of the bus. For free-wheeling floor-play, flip up the posts on the bottom of the bus. To start the bus, move the start switch to the "ON" position.



Free Manuals Download Website

<http://myh66.com>

<http://usermanuals.us>

<http://www.somanuals.com>

<http://www.4manuals.cc>

<http://www.manual-lib.com>

<http://www.404manual.com>

<http://www.luxmanual.com>

<http://aubethermostatmanual.com>

Golf course search by state

<http://golfingnear.com>

Email search by domain

<http://emailbydomain.com>

Auto manuals search

<http://auto.somanuals.com>

TV manuals search

<http://tv.somanuals.com>