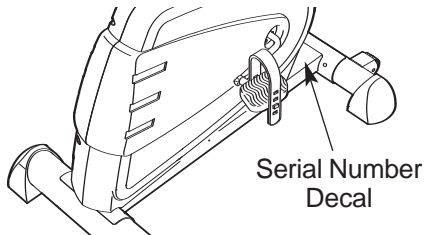


# PRO-FORM<sup>®</sup>

## GT 90

Model No. PFEX4986.0

Serial No. \_\_\_\_\_



## USER'S MANUAL

### QUESTIONS?

As a manufacturer, we are committed to providing complete customer satisfaction. If you have questions, or if parts are damaged or missing, PLEASE CONTACT OUR CUSTOMER SERVICE DEPARTMENT DIRECTLY.

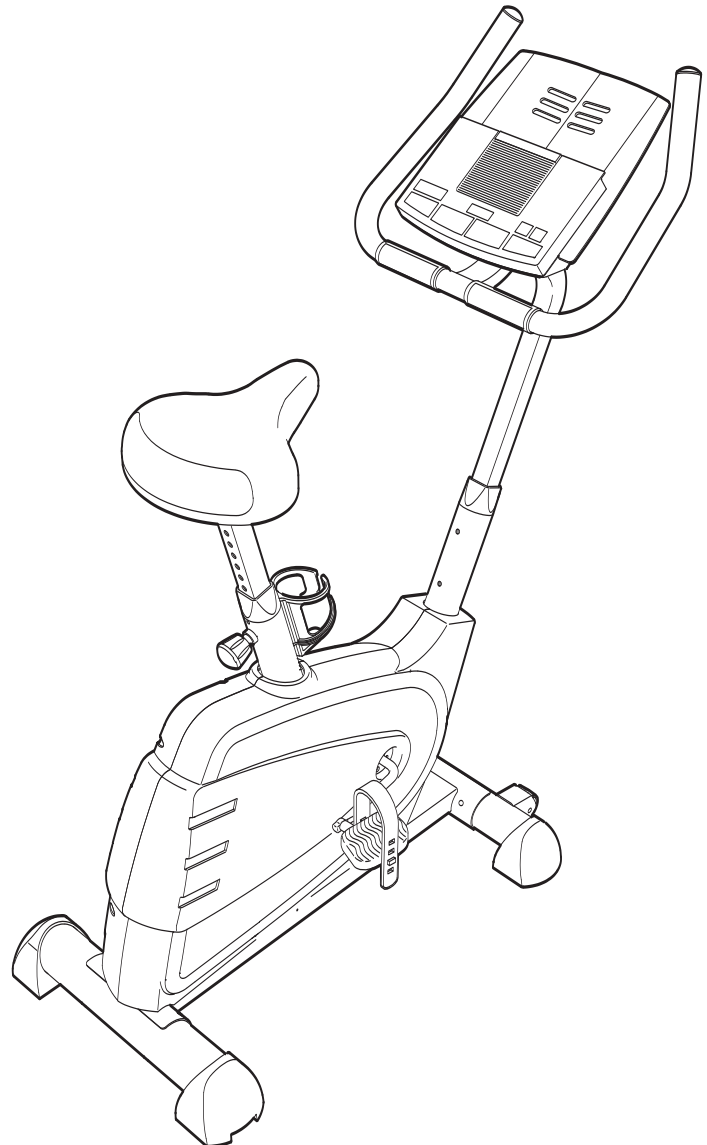
CALL TOLL-FREE:

**1-888-533-1333**

Mon.–Fri., 6 a.m.–6 p.m. MST

ON THE WEB:

[www.proformservice.com](http://www.proformservice.com)



### **⚠ CAUTION**

Read all precautions and instructions in this manual before using this equipment. Keep this manual for future reference.



Visit our website at

[www.proform.com](http://www.proform.com)

*new products, prizes,  
fitness tips, and much more!*

# TABLE OF CONTENTS

IMPORTANT PRECAUTIONS .....	2
BEFORE YOU BEGIN .....	3
ASSEMBLY .....	4
HOW TO OPERATE THE EXERCISE CYCLE .....	8
MAINTENANCE AND TROUBLESHOOTING .....	20
CONDITIONING GUIDELINES .....	21
PART LIST .....	22
EXPLODED DRAWING .....	23
ORDERING REPLACEMENT PARTS .....	Back Cover
LIMITED WARRANTY .....	Back Cover

## IMPORTANT PRECAUTIONS

**⚠ WARNING:** To reduce the risk of serious injury, read the following important precautions before using the exercise cycle.

1. Read all instructions in this manual and all warnings on the exercise cycle before using the exercise cycle.
2. Use the exercise cycle only as described.
3. It is the responsibility of the owner to ensure that all users of the exercise cycle are adequately informed of all precautions.
4. The exercise cycle is intended for home use only. Do not use the exercise cycle in a commercial, rental, or institutional setting.
5. Keep the exercise cycle indoors, away from moisture and dust. Place the exercise cycle on a level surface, with a mat beneath it to protect the floor or carpet. Make sure that there is enough clearance around the exercise cycle to mount, dismount, and use it.
6. Inspect and properly tighten all parts regularly. Replace any worn parts immediately.
7. Keep children under the age of 12 and pets away from the exercise cycle at all times.
8. Wear appropriate clothes when exercising; do not wear loose clothes that could become caught on the exercise cycle. Always wear athletic shoes for foot protection.
9. The exercise cycle should not be used by persons weighing more than 250 pounds.
10. The pulse sensor is not a medical device. Various factors, including the user's movement, may affect the accuracy of heart rate readings. The pulse sensor is intended only as an exercise aid in determining heart rate trends in general.
11. Always keep your back straight when using the exercise cycle; do not arch your back.
12. If you feel pain or dizziness while exercising, stop immediately and cool down.
13. The exercise cycle does not have a free-wheel; the pedals will continue to move until the flywheel stops.
14. The decal shown on page 3 has been placed on the exercise cycle. If the decal is missing, or illegible, call the toll-free telephone number on the front cover of this manual and order a free replacement decal. Apply the decal in the location shown.

**⚠ WARNING:** Before beginning this or any exercise program, consult your physician. This is especially important for persons over the age of 35 or persons with pre-existing health problems. Read all instructions before using. ICON assumes no responsibility for personal injury or property damage sustained by or through the use of this product.

# BEFORE YOU BEGIN

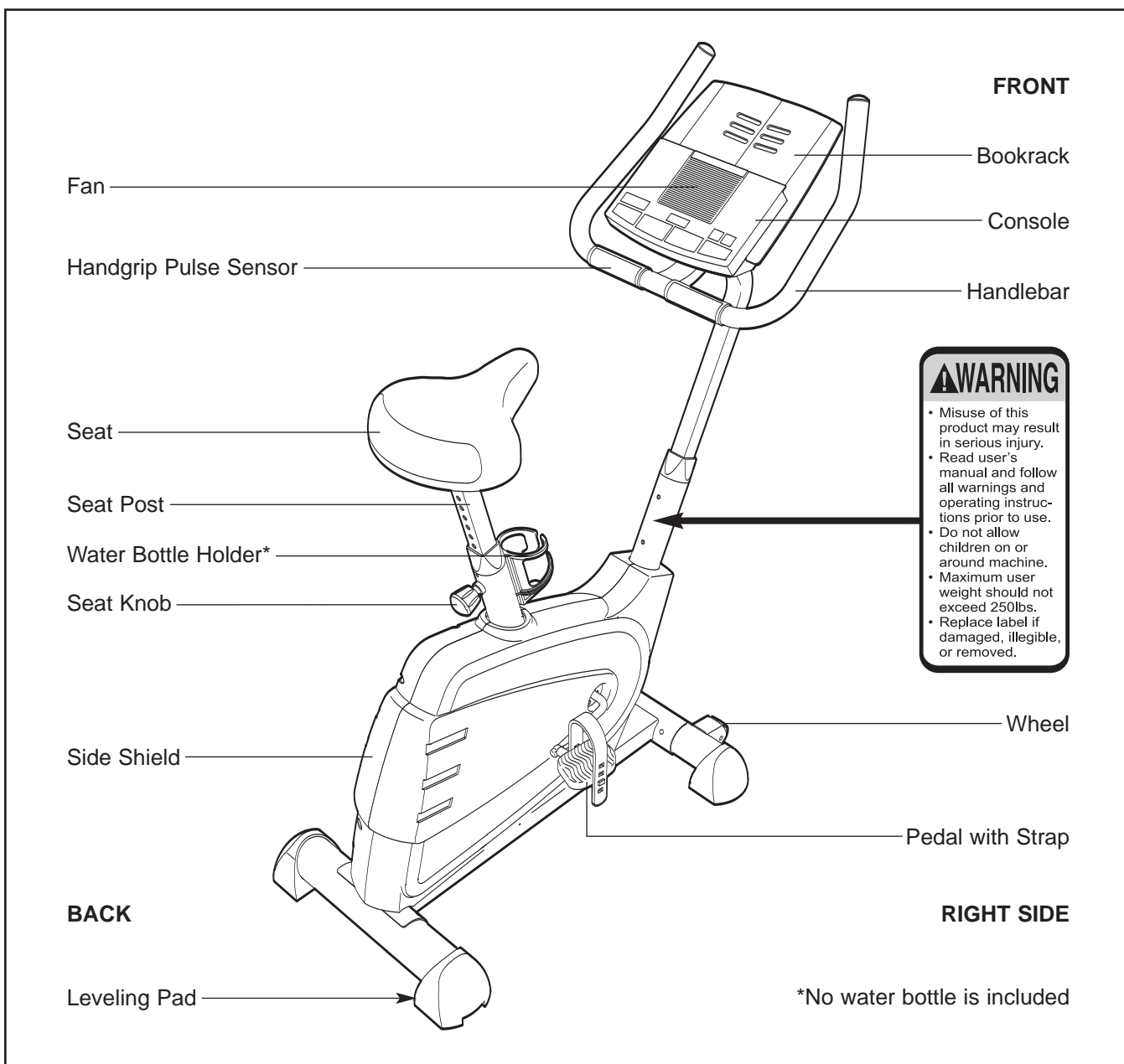
Congratulations for selecting the new PROFORM® GT 90 exercise cycle. Cycling is one of the most effective exercises for increasing cardiovascular fitness, building endurance, and toning the entire body. The GT 90 exercise cycle offers an impressive array of features designed to let you enjoy this healthful exercise in the comfort and privacy of your home.

**For your benefit, read this manual carefully before you use the exercise cycle.** If you have questions after reading this manual, please see the front cover of this manual. To help us assist you, note the product

model number and serial number before contacting us. The model number is PFEX4986.0. The serial number can be found on a decal attached to the exercise cycle (see the front cover of this manual for the location of the decal).

**To avoid a registration fee for any service needed under warranty, you must register the exercise cycle at [www.proformservice.com/registration](http://www.proformservice.com/registration).**

Before reading further, please familiarize yourself with the parts that are labeled in the drawing below.



# CONDITIONING GUIDELINES

## WARNING:




Before beginning this or any exercise program, consult your physician. This is especially important for individuals over the age of 35 or individuals with pre-existing health problems.

The pulse sensor is not a medical device. Various factors may affect the accuracy of heart rate readings. The pulse sensor is intended only as an exercise aid in determining heart rate trends in general.

The following guidelines will help you to plan your exercise program. Remember that proper nutrition and adequate rest are essential for successful results.

### EXERCISE INTENSITY

Whether your goal is to burn fat or to strengthen your cardiovascular system, the key to achieving the desired results is to exercise with the proper intensity. The proper intensity level can be found by using your heart rate as a guide. The chart below shows recommended heart rates for fat burning, maximum fat burning, and cardiovascular (aerobic) exercise.

165	155	145	140	130	125	115	
145	138	130	125	118	110	103	
125	120	115	110	105	95	90	
20	30	40	50	60	70	80	

To find the proper heart rate for you, first find your age at the bottom of the chart (ages are rounded off to the nearest ten years). Next, find the three numbers above your age; the three numbers are your “training zone.” The lowest number is the recommended heart rate for fat burning; the middle number is the recommended heart rate for maximum fat burning; and the highest number is the heart rate for aerobic exercise.

### Fat Burning

To burn fat effectively, you must exercise at a relatively low intensity level for a sustained period of time. During the first few minutes of exercise, your body uses easily accessible *carbohydrate* calories for energy. Only after the first few minutes of exercise does your body begin to use stored *fat* calories for energy. If your goal is to burn fat, adjust the intensity of your exercise until your heart rate is near the lowest number or the middle number in your training zone as you exercise.

### Aerobic Exercise

If your goal is to strengthen your cardiovascular system, your exercise must be “aerobic.” Aerobic exercise is activity that requires large amounts of oxygen for prolonged periods of time. This increases the demand on the heart to pump blood to the muscles, and on the lungs to oxygenate the blood. For aerobic exercise, adjust the intensity of your exercise until your heart rate is near the highest number in your training zone.

### WORKOUT GUIDELINES

Each workout should include the following three parts:

**A warm-up**, consisting of 5 to 10 minutes of stretching and light exercise. A proper warm-up increases your body temperature, heart rate, and circulation in preparation for exercise.

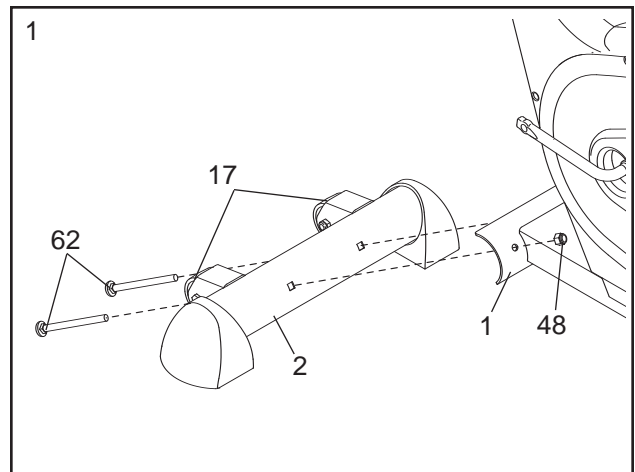
**Training zone exercise**, consisting of 20 to 30 minutes of exercising with your heart rate in your training zone. (During the first few weeks of your exercise program, do not keep your heart rate in your training zone for longer than 20 minutes.)

**A cool-down**, with 5 to 10 minutes of stretching. This will increase the flexibility of your muscles and will help to prevent post-exercise problems.

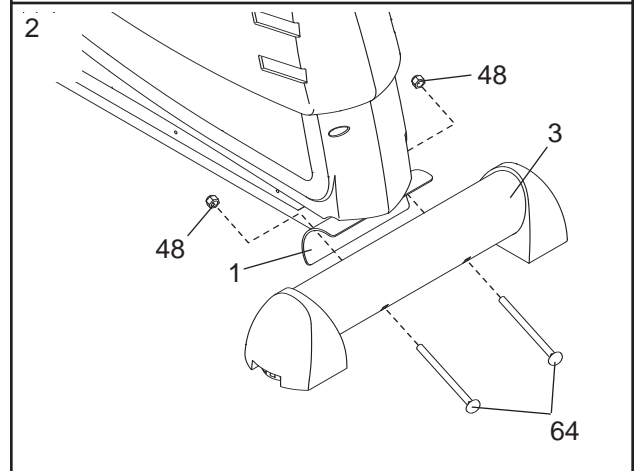
### EXERCISE FREQUENCY

To maintain or improve your condition, plan three workouts each week, with at least one day of rest between workouts. After a few months of regular exercise, you may complete up to five workouts each week, if desired. The key to success is make exercise a regular and enjoyable part of your everyday life.

1. Identify the Front Stabilizer (2), which has Wheels (17) attached to it. Attach the Front Stabilizer to the Frame (1) with two M10 x 92mm Carriage Bolts (62) and two M10 Nylon Locknuts (48).



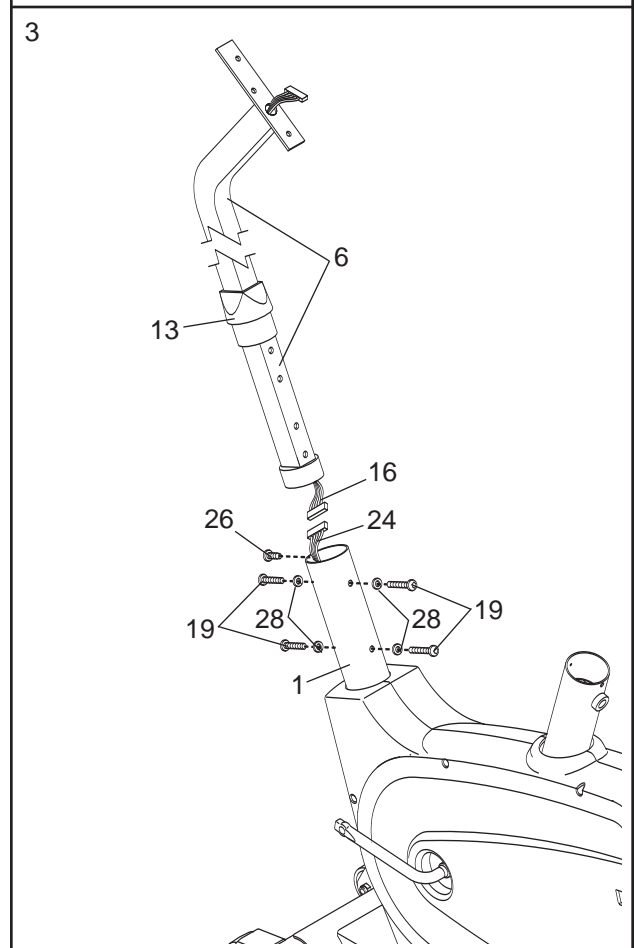
2. Attach the Rear Stabilizer (3) to the Frame (1) with two M10 x 105mm Carriage Bolts (64) and two M10 Nylon Locknuts (48).



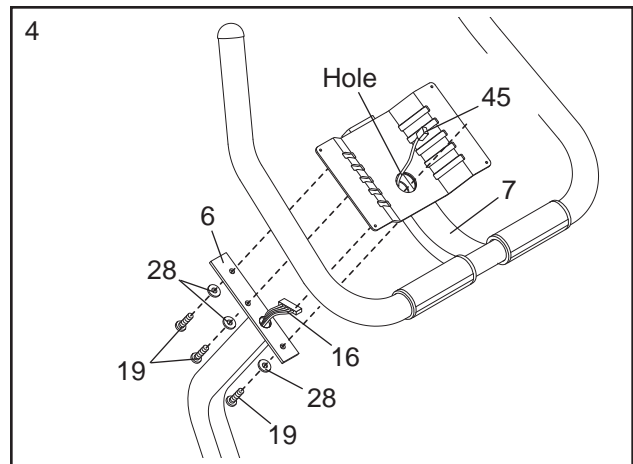
3. While another person holds the Handlebar Post (6) near the Frame (1), connect the Upper Wire Harness (16) to the Lower Wire Harness (24). Next, pull the excess Upper Wire Harness out of the top of the Handlebar Post, and insert the Handlebar Post into the Frame. **Be careful not to pinch the Wire Harnesses.**

Slide the Round Collar (13) down the Handlebar Post (6) and press it into the Frame (1). Attach the Round Collar with an M6 x 8mm Screw (26).

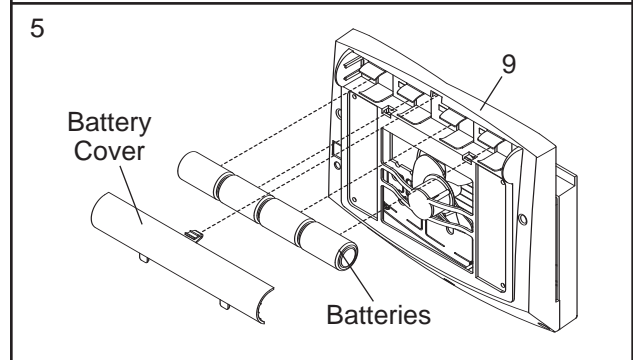
**Note: There are two sets of holes in the Handlebar Post (6) so that it can be attached at either of two heights.** Attach the Handlebar Post to the Frame (1) at the desired height with four M8 x 25mm Button Screws (19) and four M8 Split Washers (28).



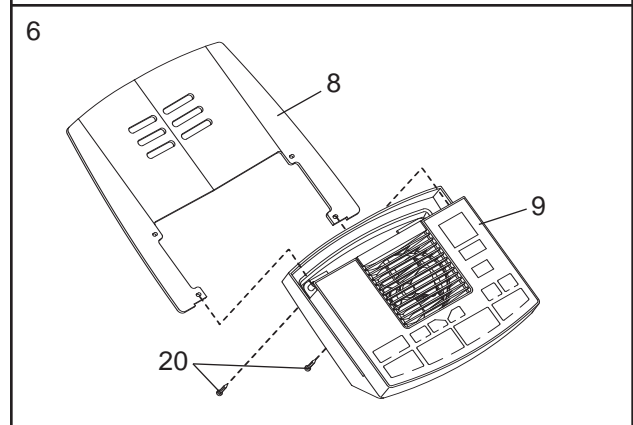
4. While another person holds the Handlebar (7) near the Handlebar Post (6), feed the Upper Wire Harness (16) and the Pulse Sensor Wire (45) up through the indicated hole in the Handlebar. Attach the Handlebar to the Handlebar Post with three M8 x 25mm Button Screws (19) and three M8 Split Washers (28).



5. The Console (9) requires four “D” batteries (not included); alkaline batteries are recommended. Press the tab on the battery cover and remove the battery cover. Press four batteries into the battery clips; **make sure that the batteries are oriented as shown by the diagram inside the battery clips**. Then, reattach the battery cover.

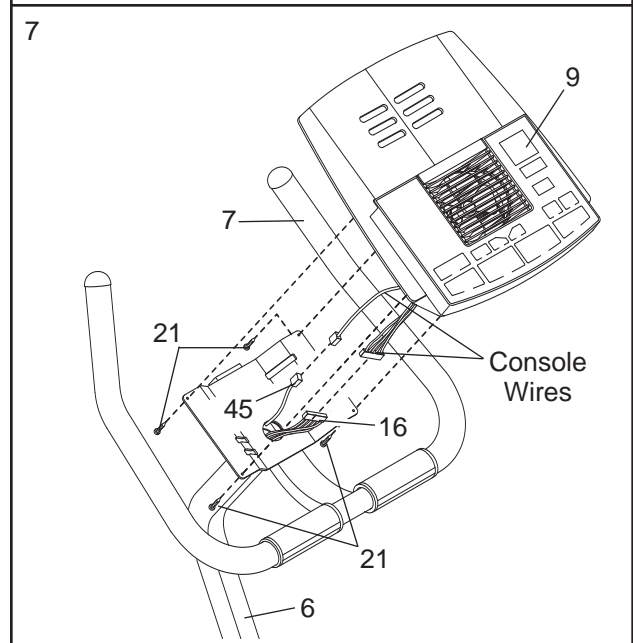


6. Insert the Bookrack (8) into the slots in the Console (9). Attach the Bookrack with two M4 x 25mm Screws (20). **Be careful not to pinch the wires in the Console.**



7. While another person holds the Console (9) near the Handlebar (7), connect the Pulse Sensor Wire (45) and the Upper Wire Harness (16) to the corresponding wires on the Console.

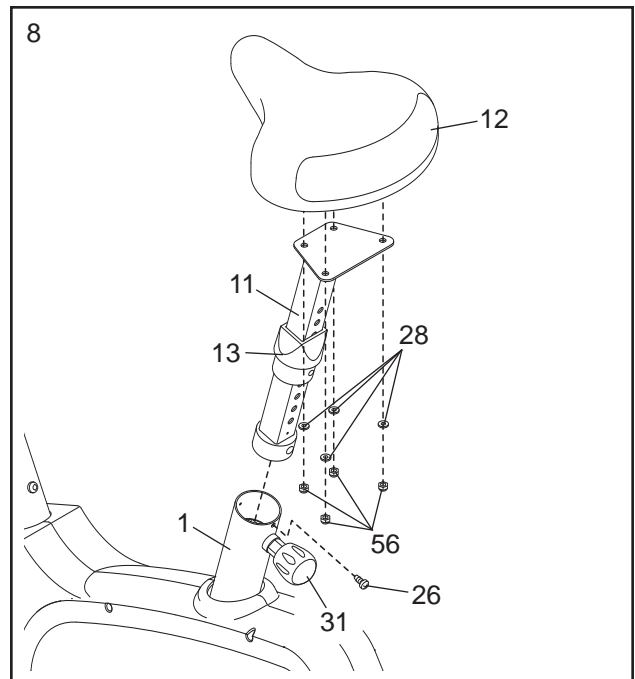
**Insert all excess wiring downward into the Handlebar Post (6).** Attach the Console (9) to the Handlebar (7) with four M4 x 16mm Screws (21). **Be careful not to pinch the Pulse Sensor Wires (45) or the Upper Wire Harness (16).**





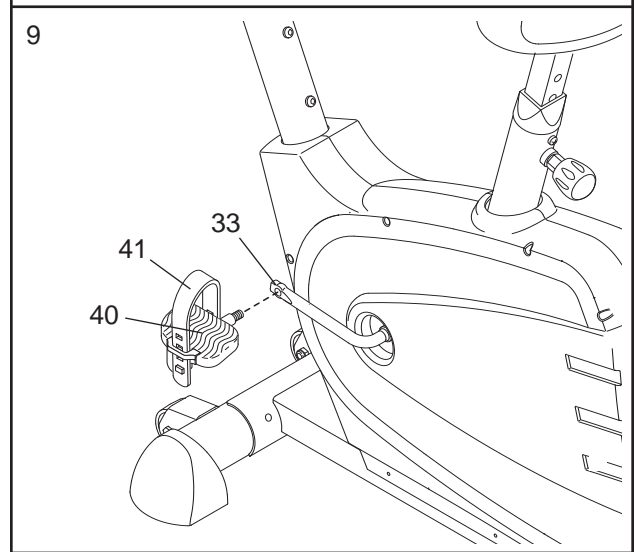
- Attach the Seat (12) to the Seat Post (11) with four M8 Nylon Locknuts (56) and four M8 Split Washers (28). **Note: The Nylon Locknuts and Split Washers may be pre-attached to the Seat.**

Turn the Seat Knob (31) counterclockwise two or three turns to loosen it. Next, pull the Knob, insert the Seat Post (11) into the Frame (1), and then release the Knob. Slide the Round Collar (13) down the Seat Post and press it into the Frame. Attach the Round Collar to the Frame with an M6 x 8mm Screw (26). **Move the Seat Post up and down slightly until the pin on the Knob snaps into one of the holes in the Seat Post.** Then, turn the Knob clockwise until it is tight.

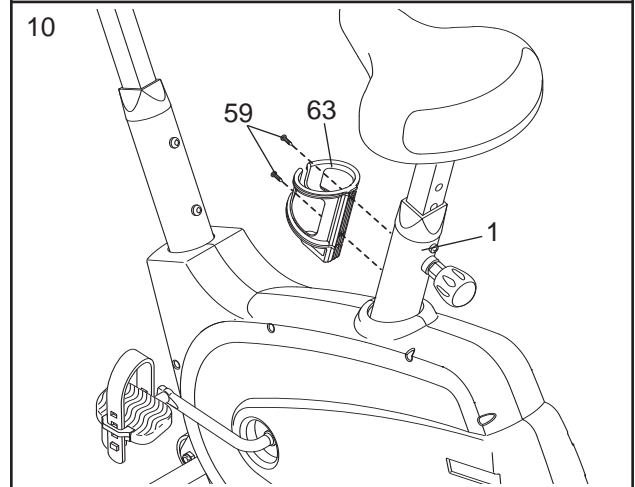


- Identify the Left Pedal (40); the threaded shaft on each Pedal is marked with an "L" for left or an "R" for right. **Firmly tighten** the Left Pedal *counterclockwise* into the Crank Assembly (33). Tighten the Right Pedal (not shown) *clockwise* into the Crank Assembly. **Important: Tighten both Pedals as firmly as possible. After using the exercise cycle for one week, retighten the Pedals. For best performance, keep the Pedals tightened.**

Identify the Left Pedal Strap (41), which is marked with an "L." Attach the Left Pedal Strap to the Left Pedal (40), and adjust the Left Pedal Strap to the desired position. Attach and adjust the Right Pedal Strap (not shown) in the same way.



- Attach the Water Bottle Holder (63) to the Frame (1) with two M4 x 19mm Screws (59). Note: The water bottle holder is designed to be used with your own water bottle.



- Make sure that all parts are properly tightened before you use the exercise cycle. Note: Some hardware may be left over after assembly is completed.** Place a mat under the exercise cycle to protect the floor or carpet.

## HOW TO INSTALL THE RECEIVER FOR THE OPTIONAL CHEST PULSE SENSOR

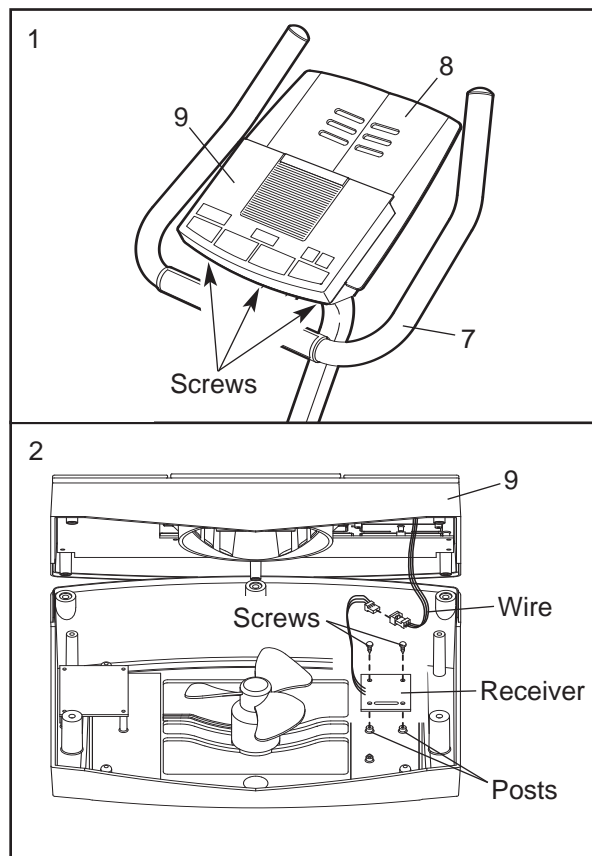
If you purchase the optional chest pulse sensor (see page 19), follow the steps below to install the receiver included with the chest pulse sensor.

1. See assembly step 6 on page 6, and remove the two M4 x 25mm Screws (not shown) and the Bookrack (8).

Next, look under the Console (9) and locate the three indicated screws (not shown). Remove the three screws. **Do not remove the screws attaching the Console to the Handlebar (7).**

2. Carefully lift the top of the Console (9) as shown. Using the two small screws included with the chest pulse sensor, attach the receiver to the indicated plastic posts on the Console. **Make sure that the receiver is turned exactly as shown.** Connect the wire on the receiver to the indicated wire on the Console.

See step 1 above. Lower the top of the Console (9). **Make sure that no wires are pinched.** Reattach the top of the Console with the three screws removed in step 1. See assembly step 6 on page 6, and reattach the Bookrack (8) with the two M4 x 25mm Screws (not shown). Note: The remaining wires included with the chest pulse sensor may be discarded.



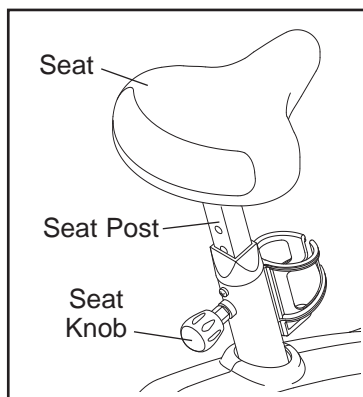
## HOW TO OPERATE THE EXERCISE CYCLE

### HOW TO ADJUST THE HEIGHT OF THE SEAT

For effective exercise, the seat should be at the proper height. As you pedal, there should be a slight bend in your knees when the pedals are in the lowest position. To adjust the seat, first turn the seat knob counter-clockwise several turns to loosen it.

Next, pull the knob, slide the seat post up or down as desired, and then release the knob.

**Move the seat post up or down slightly to make sure that it locks into place.** Turn the knob clockwise to retighten it.

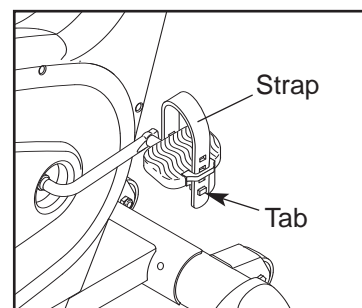


### HOW TO ADJUST THE HANDLEBARS

The handlebars can be adjusted to either of two heights. To adjust the handlebars, see assembly step 3 on page 5.

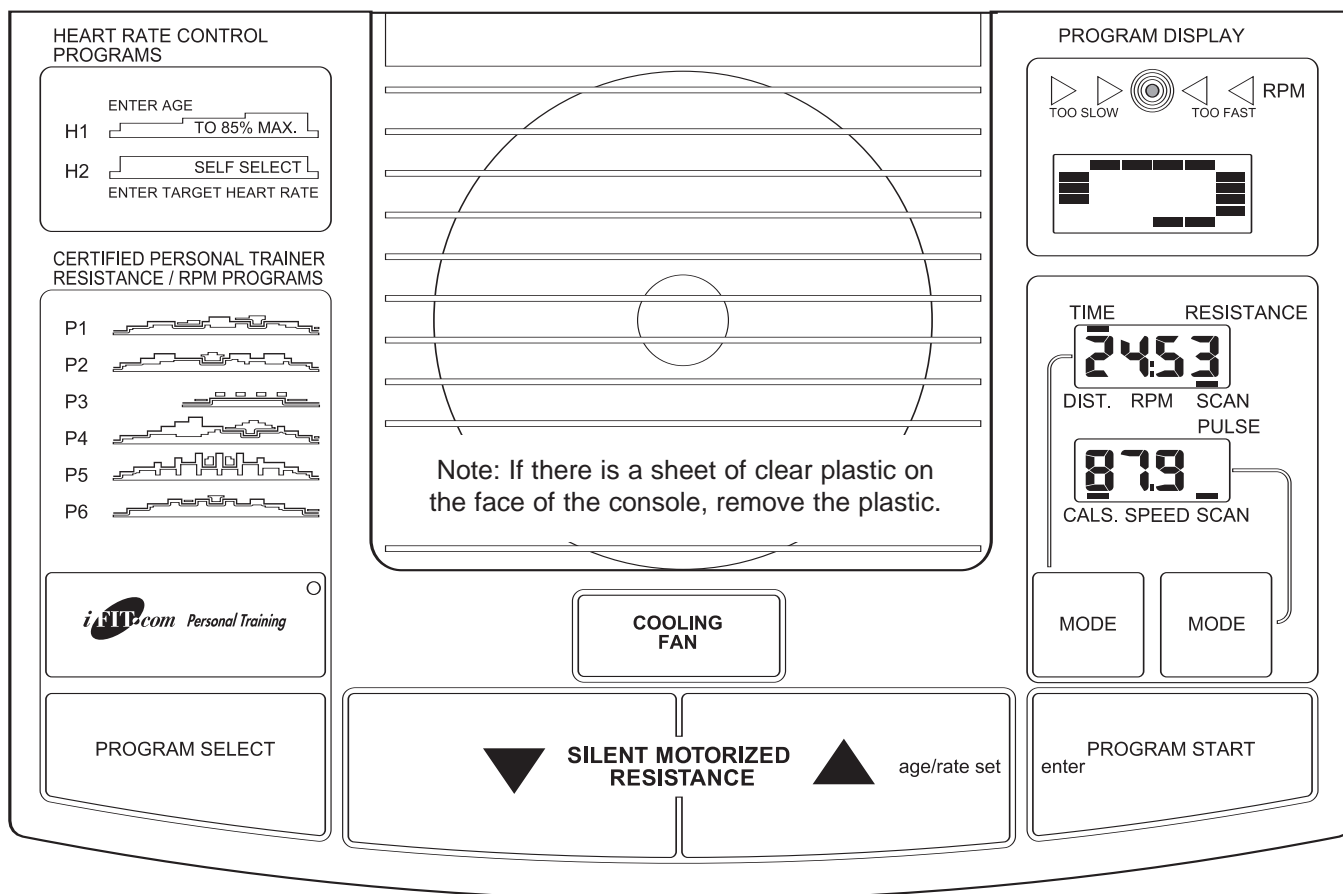
### HOW TO ADJUST THE PEDAL STRAPS

To adjust the pedal straps, first pull the ends of the straps off the tabs on the pedals. Press the straps back onto the tabs using different holes in the straps.





## DIAGRAM OF THE CONSOLE



## FEATURES OF THE CONSOLE

The advanced console offers a selection of features designed to make your workouts more enjoyable and effective. When you use the manual mode of the console, you can change the resistance of the pedals with the touch of a button. As you exercise, the console will provide continuous exercise feedback. You can even measure your heart rate using the handgrip pulse sensor. **Note: See page 19 for information about the optional chest pulse sensor.**

The console also offers six preset programs. Each program automatically changes the resistance of the pedals and prompts you to increase or decrease your pace as it guides you through an effective workout.

In addition, the console features two heart rate programs that automatically change the resistance of the pedals and prompt you to vary your pace to keep your heart rate near a target heart rate as you exercise.

The console also features iFIT.com interactive technology. Having iFIT.com interactive technology is like hav-

ing a personal trainer in your home. Using the included audio cable, you can connect the exercise cycle to your home stereo, portable stereo, computer, or VCR and play special iFIT.com CD and video programs (iFIT.com CDs and videocassettes are available separately). iFIT.com CD and video programs automatically control the resistance of the pedals and prompt you to vary your pace as a personal trainer coaches you through every step of your workout. High-energy music provides added motivation. **To purchase iFIT.com CDs and videocassettes, call the toll-free telephone number on the front cover of this manual.**

With the exercise cycle connected to your computer, you can also go to our Web site at [www.iFIT.com](http://www.iFIT.com) and access programs directly from the Internet. **Explore [www.iFIT.com](http://www.iFIT.com) for more information.**

**To use the manual mode of the console, see page 10. To use a preset program, see page 12. To use a heart rate program, see page 13. To use an iFIT.com CD or videocassette, see page 18. To use a program directly from our Web site, see page 19.**

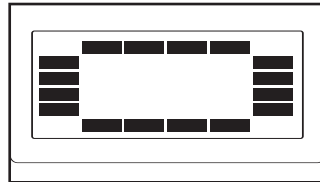
## HOW TO USE THE MANUAL MODE

### 1 Begin pedaling to activate the console.

To activate the console, begin pedaling. After a few seconds, the console displays will light. A tone will then sound and the console will be ready for use.

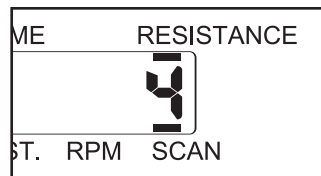
### 2 Select the manual mode.

When the power is turned on, the manual mode will be selected. If you have selected a program or the iFIT.com mode, select the manual mode by pressing the Program Select button repeatedly until a track appears in the matrix.



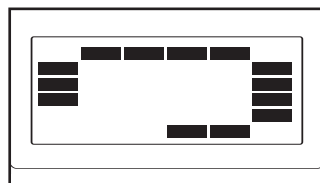
### 3 Begin pedaling and change the resistance of the pedals as desired.

As you pedal, change the resistance of the pedals by pressing the Resistance buttons. There are ten resistance levels. Note: After the buttons are pressed, it will take a moment for the pedals to reach the selected resistance level.

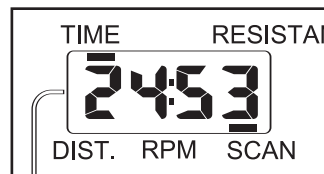


### 4 Monitor your progress with the matrix and the two displays.

**The matrix**—When the manual mode or the iFIT.com mode is selected, the matrix will show a track representing 1/4 mile. As you exercise, the indicators around the track will light, one at a time, until the entire track is lit. The track will then darken and a new lap will begin.

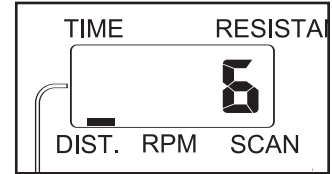


**The upper display**—The upper display will show the elapsed time, the distance you have pedaled, and

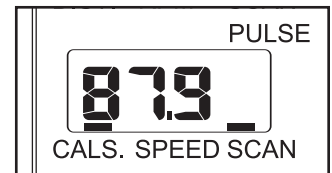


your pedaling pace, in revolutions per minute (RPM). The display will change from one number to the next every few seconds, as shown by the indicators in the display. Note: When a program is selected, the display will show the time *remaining* in the program instead of the elapsed time. Each time the resistance of the pedals changes, the display will show the resistance level.

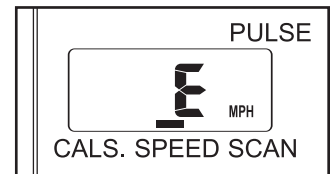
If desired, you can select a single mode for continuous display. Press the left Mode button repeatedly until the desired mode indicator is lit; make sure that the Scan indicator is not lit.



**The lower display**—The lower display will show the approximate number of calories you have burned and your pedaling speed. The display will change from one number to the next every few seconds, as shown by the indicators in the display. The display will also show your heart rate (pulse) when you use the handgrip pulse sensor or the optional chest pulse sensor.



**Note: The console can show speed and distance in either miles or kilometers.** The letters MPH or KPH will appear in the lower display to show which unit of measurement is selected. To change the unit of measurement, first hold down the Program Select button for a few seconds. An E (for English) or an M (for metric) will appear in the lower display. Press the Resistance + button to change the unit of measurement. Then, press the Cooling Fan button. Note: When the batteries are replaced, it may be necessary to reselect the desired unit of measurement.



If desired, you can select a single mode for continuous display. Press the right Mode button repeatedly until the desired mode indicator is lit; make sure that the Scan indicator is not lit.

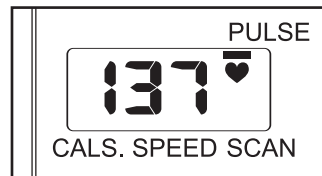
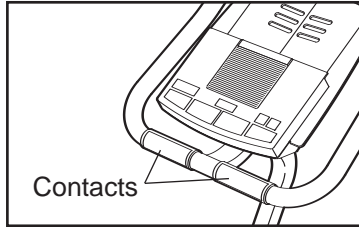
## 5 Measure your heart rate if desired.

You can measure your heart rate using either the handgrip pulse sensor or the optional chest pulse sensor. **Note: If you hold the handgrip pulse sensor and wear the chest pulse sensor at the same time, the console will not display your heart rate accurately.**

**If there are sheets of clear plastic on the metal contacts on the handgrip pulse sensor, remove the plastic.** To

measure your heart rate, hold the contacts; your palms must be resting on the contacts closest to you, and your fingers must be touching the opposite contacts. **Avoid moving your hands.**

When your pulse is detected, the heart-shaped indicator in the lower display will flash each time your heart beats, and your heart rate will be shown. For the most accurate heart rate reading, hold the contacts for at least 15 seconds.



Note: If you continue to hold the pulse sensor, the lower display will show your heart rate for up to 30 seconds. The display will then show your heart rate along with the other modes.

If your heart rate is not shown, make sure that your hands are positioned as described. Avoid moving your hands excessively or squeezing the metal contacts too tightly. For optimal performance, periodically clean the metal contacts using a soft cloth; never use alcohol, abrasives, or chemicals to clean the contacts.

## 6 Turn on the fan if desired.

To turn on the fan at low speed, press the Cooling Fan button. To turn on the fan at high speed, press the button a second time. To turn off the fan, press the button a third time. Note: If the fan is turned on but the pedals are not moved for thirty seconds, the fan will automatically turn off.

## 7 When you are finished exercising, the console will automatically turn off.

If the pedals are not moved for a few seconds, a tone will sound, the console will pause, and the upper display will begin to flash.

If the pedals are not moved for about five minutes, the console will turn off and the displays will be reset.

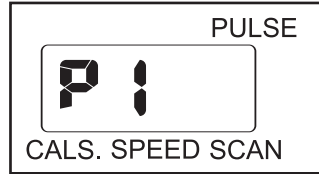
## HOW TO USE PRESET PROGRAMS

### 1 Begin pedaling to activate the console.

See step 1 on page 10.

### 2 Select one of the six preset programs.

When the power is turned on, the manual mode will be selected. To select a preset program, press the Program Select button repeatedly until "P1," "P2," "P3," "P4," "P5," or "P6" appears in the lower display.

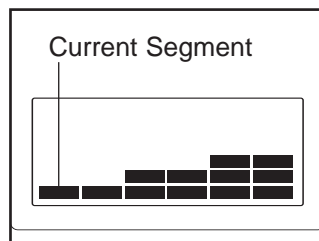


When a preset program is selected, the matrix will show the first six resistance settings of the program.

### 3 Press the Program Start button or begin pedaling to start the program.

Each program is divided into several time segments of different lengths. One resistance setting is programmed for each segment. (The same resistance setting may be programmed for two or more consecutive segments.)

The resistance setting for the first segment will be shown in the flashing Current Segment column of the matrix. The resistance settings for the next five segments will be shown in the columns to the right.



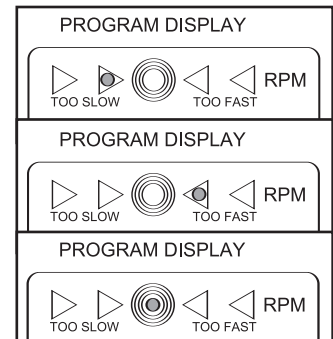
When only three seconds remain in the first segment of the program, a series of tones will sound; *all resistance settings will then move one column to the left.* The resistance setting for the second segment will then be shown in the flashing Current Segment column and the resistance of the pedals will automatically change to the resistance setting for the second segment.

The program will continue until the resistance setting for the last segment is shown in the Current Segment column of the matrix and no time remains in the program.

Note: During the program, you can override the resistance setting for the current segment by pressing the Resistance buttons. However, when the next segment begins, the resistance will automatically change if a different resistance setting is programmed for the next segment. If you stop pedaling for several seconds, a tone will sound and the program will pause. To restart the program, simply resume pedaling.

### 4 Use the pace (RPM) guide.

During preset programs, the pace guide will prompt you to increase or decrease your pedaling pace. When one of the indicators on the left side of the pace guide lights, increase your pace; when one of the indicators on the right side lights, decrease your pace.



When the center indicator lights, maintain your current pace. **Important: The pace settings of the program are intended only to provide a goal. Make sure to pedal at a pace that is comfortable for you.**

### 5 Monitor your progress with the two displays.

See step 4 on page 10.

### 6 Measure your heart rate if desired.

See step 5 on page 11.

### 7 Turn on the fan if desired.

See step 6 on page 11.

### 8 When you are finished exercising, the console will automatically turn off.

See step 7 on page 11.

## HOW TO USE HEART RATE PROGRAMS

Heart rate program 1 is designed to keep your heart rate between 60 percent and 85 percent of your *estimated maximum heart rate* while you exercise. Note: Your maximum heart rate is estimated by subtracting your age from 220. For example, if you are 30 years old, your estimated maximum heart rate is 190 (220 – 30 = 190).

Heart rate program 2 will keep your heart rate near a target heart rate that you select.

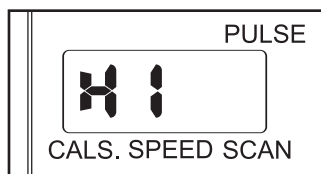
Follow the steps below to use a heart rate program.

### 1 Begin pedaling to activate the console.

See step 1 on page 10.

### 2 Select one of the heart rate programs.

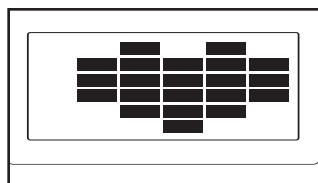
To select a heart rate program, press the Program Select button repeatedly until “H1” or “H2” appears in the lower display.



If you selected heart rate program 1, the matrix will show the first six target heart rate settings of the program.



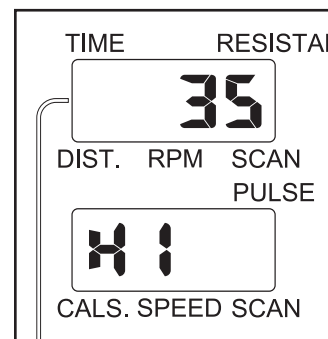
If you selected heart rate program 2, a heart symbol will appear in the matrix.



**If you selected heart rate program 1, go to step 3. If you selected heart rate program 2, go to step 4.**

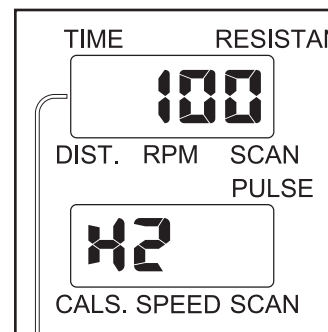
### 3 Enter your age.

When heart rate program 1 is selected, you must enter your age. If you have already entered your age, press the Enter (Program Start) button and go to step 5. If you have not entered your age, press the + or – button repeatedly to enter your age, and then press the Enter button. Note: Once you have entered your age, it will be saved in memory.



### 4 Enter a target heart rate.

When heart rate program 2 is selected, you must enter a target heart rate. (See the heart rate chart on page 21 for heart rate guidelines.) To enter a target heart rate, press the + or – button repeatedly, and then press the Enter (Program Start) button.



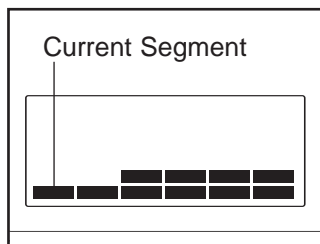
### 5 Hold the handgrip pulse sensor or wear the optional chest pulse sensor.

To use a heart rate program, you must hold the handgrip pulse sensor or wear the optional chest pulse sensor. If you use the handgrip pulse sensor, it is not necessary to hold the handgrips continuously during the program. However, you should hold the handgrips frequently for the program to operate properly. **Each time you hold the handgrips, keep your hands on the metal contacts for at least 30 seconds.** Note: When you are not holding the handgrips, the letters “PLS” will appear in the lower display instead of your heart rate.

## 6 Begin pedaling.

Each heart rate program is divided into 30 one-minute segments. One target heart rate is programmed for each segment. Note: The same target heart rate may be programmed for two or more consecutive segments. If heart rate program 2 is selected, the same target heart rate is programmed for all segments.

**If heart rate program 1 is selected,** the target heart rate setting for the first segment will be shown in the flashing Current Segment column

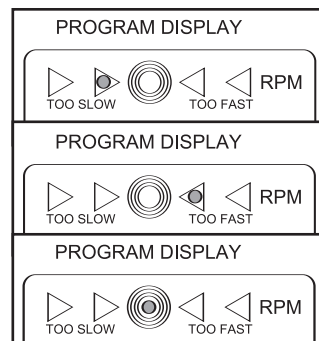


of the matrix. The target heart rate settings for the next five segments will be shown in the columns to the right. When only three seconds remain in the first segment of the program, a series of tones will sound; *all target heart rate settings will then move one column to the left.* The target heart rate setting for the second segment will then be shown in the flashing Current Segment column.

**If heart rate program 2 is selected,** the same target heart rate is programmed for all segments; therefore, the target heart rate settings will not be shown in the matrix. When only three seconds remain in the first segment of the program, a series of tones will sound and the time will flash in the right display.

As you pedal, the console will regularly compare your heart rate to the target heart rate. If your heart rate is too far below or above the target heart rate, the resistance of the pedals will automatically increase or decrease to bring your heart rate closer to the target heart rate.

The pace guide will help you to maintain a constant pace during the program. When one of the indicators on the left side of the pace guide lights, increase your pace; when one of the indicators on the right



side lights, decrease your pace. When the center indicator lights, maintain your current pace.

**Important: The pace settings of the program are intended only to provide a goal. Make sure to pedal at a pace that is comfortable for you.**

The program will continue until the target heart rate setting for the last segment is shown in the Current Segment column of the matrix and no time remains in the program.

Note: During the program, you can manually change the resistance setting, if desired, by pressing the Resistance buttons. However, when the console compares your heart rate to the target heart rate, the resistance may automatically change. If you stop pedaling for several seconds, a tone will sound and the program will pause. To restart the program, simply resume pedaling.

## 7 Monitor your progress with the two displays.

See step 4 on page 10.

## 8 Turn on the fan if desired.

See step 6 on page 11.

## 9 When you are finished exercising, the console will automatically turn off.

See step 7 on page 11.



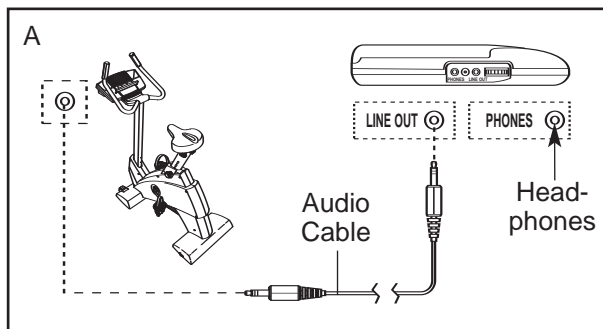
## HOW TO CONNECT YOUR CD PLAYER, VCR, OR COMPUTER

To use **iFIT.com CDs**, the exercise cycle must be connected to your portable CD player, portable stereo, home stereo, or computer with CD player. See pages 15 and 16 for connecting instructions. To use **iFIT.com videocassettes**, the exercise cycle must be connected to your VCR. See page 17 for connecting instructions. To use **iFIT.com programs directly from our Web site**, the exercise cycle must be connected to your home computer. See page 16 for connecting instructions.

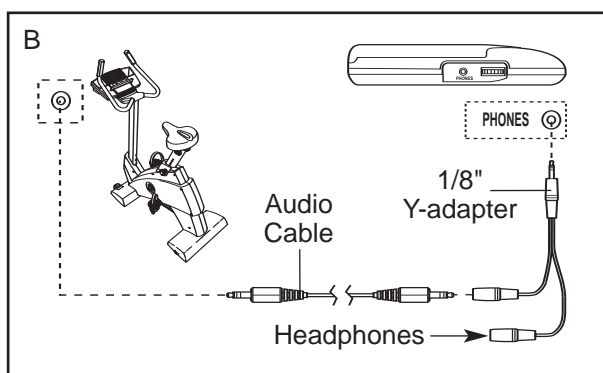
## HOW TO CONNECT YOUR PORTABLE CD PLAYER

**Note:** If your CD player has separate **LINE OUT** and **PHONES** jacks, see instruction A below. If your CD player has only one jack, see instruction B.

- A. Plug one end of the audio cable into the jack beneath the console. Plug the other end of the cable into the **LINE OUT** jack on your CD player. Plug your headphones into the **PHONES** jack.



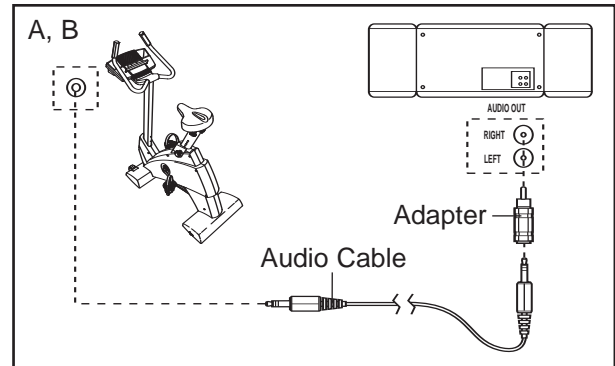
- B. Plug one end of the audio cable into the jack beneath the console. Plug the other end of the cable into a 1/8" Y-adaptor (available at electronics stores). Plug the Y-adaptor into the **PHONES** jack on your CD player. Plug your headphones into the other side of the Y-adaptor.



## HOW TO CONNECT YOUR PORTABLE STEREO

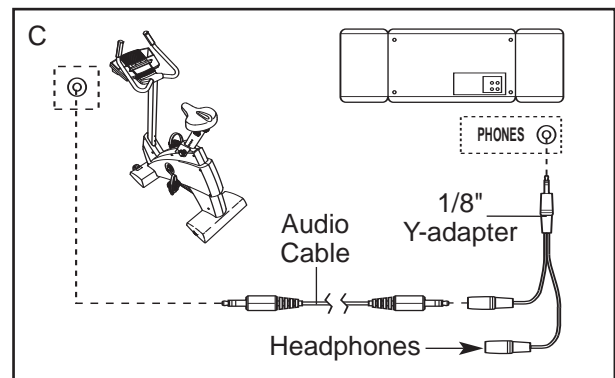
**Note:** If your stereo has an **RCA-type AUDIO OUT** jack, see instruction A below. If your stereo has a 1/8" **LINE OUT** jack, see instruction B. If your stereo has only a **PHONES** jack, see instruction C.

- A. Plug one end of the audio cable into the jack beneath the console. Plug the other end of the cable into the adapter. Plug the adapter into an **AUDIO OUT** jack on your stereo.



- B. Plug one end of the audio cable into the jack beneath the console. Plug the other end of the cable into the **LINE OUT** jack on your stereo. Do not use the adapter.

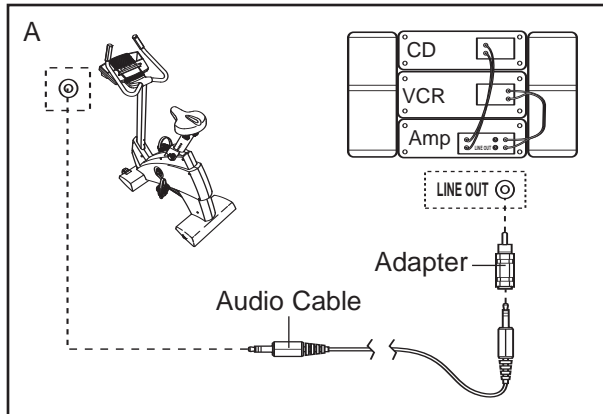
- C. Plug one end of the audio cable into the jack beneath the console. Plug the other end of the cable into a 1/8" Y-adaptor (available at electronics stores). Plug the Y-adaptor into the **PHONES** jack on your stereo. Plug your headphones into the other side of the Y-adaptor.



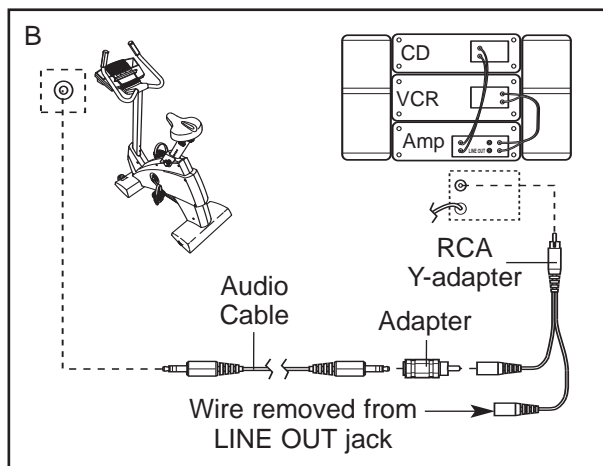
## HOW TO CONNECT YOUR HOME STEREO

**Note:** If your stereo has an unused **LINE OUT** jack, see instruction A below. If the **LINE OUT** jack is being used, see instruction B.

- A. Plug one end of the audio cable into the jack beneath the console. Plug the other end of the cable into the adapter. Plug the adapter into the **LINE OUT** jack on your stereo.



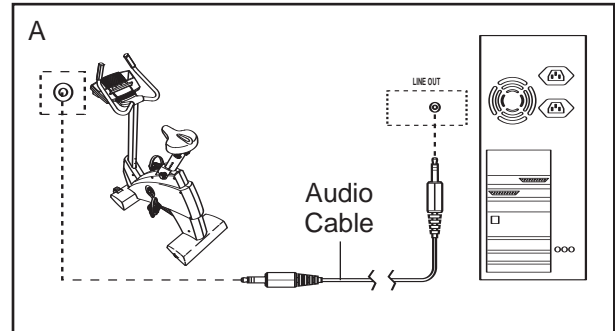
- B. Plug one end of the audio cable into the jack beneath the console. Plug the other end of the cable into the adapter. Plug the adapter into an **RCA Y-adapter** (available at electronics stores). Next, remove the wire that is currently plugged into the **LINE OUT** jack on your stereo and plug the wire into the unused side of the Y-adapter. Plug the Y-adapter into the **LINE OUT** jack on your stereo.



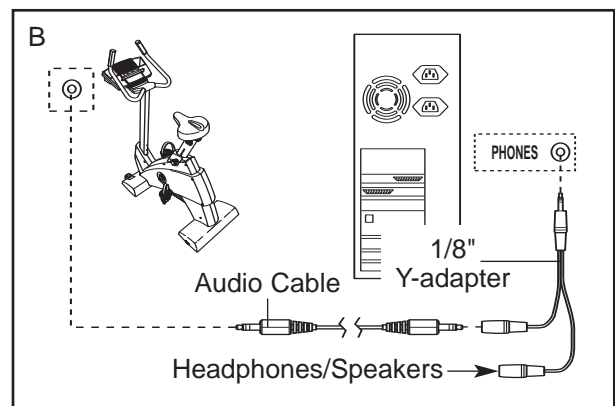
## HOW TO CONNECT YOUR COMPUTER

**Note:** If your computer has a **1/8" LINE OUT** jack, see instruction A. If your computer has only a **PHONES** jack, see instruction B.

- A. Plug one end of the audio cable into the jack beneath the console. Plug the other end of the cable into the **LINE OUT** jack on your computer.



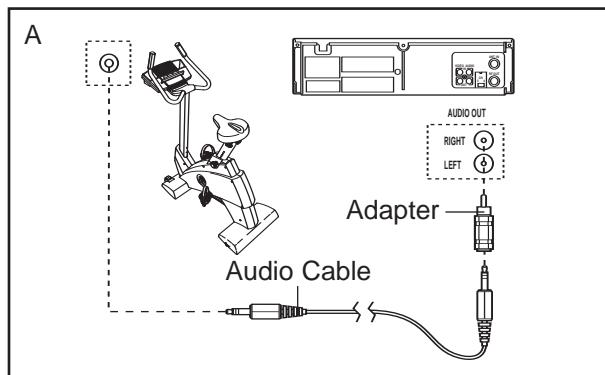
- B. Plug one end of the audio cable into the jack beneath the console. Plug the other end of the cable into a **1/8" Y-adapter** (available at electronics stores). Plug the Y-adapter into the **PHONES** jack on your computer. Plug your headphones or speakers into the other side of the Y-adapter.



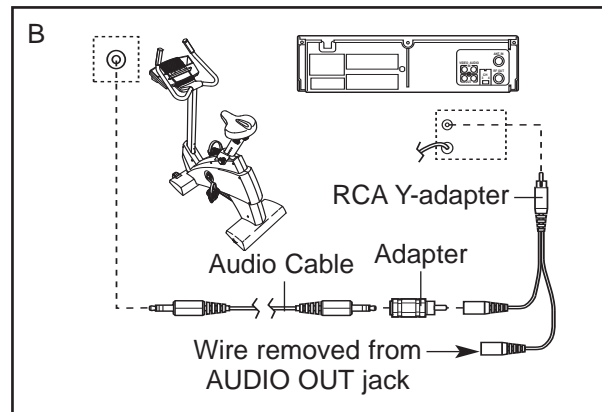
## HOW TO CONNECT YOUR VCR

**Note: If your VCR has an unused AUDIO OUT jack, see instruction A below. If the AUDIO OUT jack is being used, see instruction B. If you have a TV with a built-in VCR, see instruction B. If your VCR is connected to your home stereo, see HOW TO CONNECT YOUR HOME STEREO on page 16.**

- A. Plug one end of the audio cable into the jack beneath the console. Plug the other end of the cable into the adapter. Plug the adapter into the AUDIO OUT jack on your VCR.



- B. Plug one end of the audio cable into the jack beneath the console. Plug the other end of the cable into the adapter. Plug the adapter into an RCA Y-adapter (available at electronics stores). Next, remove the wire that is currently plugged into the AUDIO OUT jack on your VCR and plug the wire into the unused side of the Y-adapter. Plug the Y-adapter into the AUDIO OUT jack on your VCR.



## HOW TO USE iFIT.COM CD AND VIDEO PROGRAMS

To use iFIT.com CDs or videocassettes, the exercise cycle must be connected to your portable CD player, portable stereo, home stereo, computer with CD player, or VCR. See HOW TO CONNECT YOUR CD PLAYER, VCR, OR COMPUTER on pages 15 to 17. **To purchase iFIT.com CDs and videocassettes, call the toll-free telephone number on the front cover of this manual.**

Follow the steps below to use an iFIT.com CD or video program.

### 1 Begin pedaling to activate the console.

See step 1 on page 10.

### 2 Select the iFIT.com mode.

To select the iFIT.com mode, press the iFIT.com button. The indicator on the button will light.



### 3 Insert the iFIT.com CD or videocassette.

If you are using an iFIT.com CD, insert the CD into your CD player. If you are using an iFIT.com videocassette, insert the videocassette into your VCR.

### 4 Press the play button on your CD player or VCR.

A moment after the play button is pressed, your personal trainer will begin guiding you through your workout. Simply follow your personal trainer's instructions.

The program will function in almost the same way as a preset program (see steps 3 and 4 on page 12). However, an electronic "chirping" sound will alert you when the resistance of the pedals and/or the target pace is about to change.

**Note: If the resistance of the pedals and/or the target pace does not change when a "chirp" is heard:**

- **Make sure that the indicator above the iFIT.com button is lit.**
- **Adjust the volume of your CD player or VCR. If the volume is too high or too low, the console may not detect the program signals.**
- **Make sure that the audio cable is properly connected and that it is fully plugged in.**

### 5 Monitor your progress with the two displays.

See step 4 on page 10.

### 6 Measure your heart rate if desired.

See step 5 on page 11.

### 7 Turn on the fan if desired.

See step 6 on page 11.

### 8 When you are finished exercising, the console will automatically turn off.

See step 7 on page 11.

## HOW TO USE PROGRAMS DIRECTLY FROM OUR WEB SITE

Our Web site at [www.iFIT.com](http://www.iFIT.com) allows you to play iFIT.com programs directly from the Internet. To use programs from our Web site, the exercise cycle must be connected to your home computer. See **HOW TO CONNECT YOUR COMPUTER** on page 16. In addition, you must have an Internet connection and an Internet service provider. A list of specific system requirements is found on our Web site.

Follow the steps below to use a program from our Web site.

### 1 Begin pedaling to activate the console.

See step 1 on page 10.

### 2 Select the iFIT.com mode.

To select the iFIT.com mode, press the iFIT.com button. The indicator on the button will light.



### 3 Go to your computer and start an Internet connection.

### 4 Start your Web browser, if necessary, and go to our Web site at [www.iFIT.com](http://www.iFIT.com).

### 5 Follow the desired links on our Web site to select a program.

Read and follow the on-line instructions for using a program.

### 6 Follow the on-line instructions to start the program.

When you start the program, an on-screen countdown will begin.

### 7 Return to the exercise cycle and begin pedaling.

When the on-screen countdown ends, the program will begin. The program will function in

almost the same way as a preset program (see steps 3 and 4 on page 12). However, an electronic “chirping” sound will alert you when the resistance of the pedals and/or the target pace is about to change.

### 8 Monitor your progress with the two displays.

See step 4 on page 10.

### 9 Measure your heart rate if desired.

See step 5 on page 11.

### 10 Turn on the fan if desired.

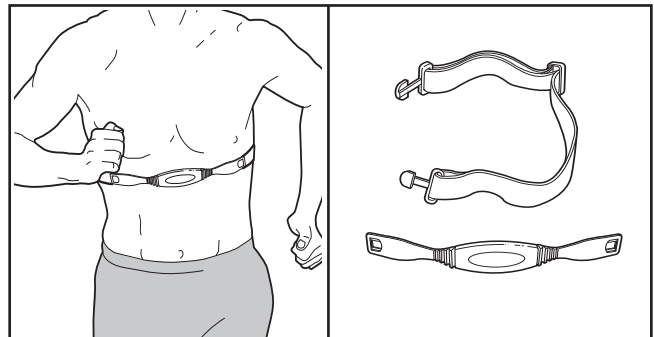
See step 6 on page 11.

### 11 When you are finished exercising, the console will automatically turn off.

See step 7 on page 11.

## THE OPTIONAL CHEST PULSE SENSOR

The optional chest pulse sensor provides hands-free operation and continuously monitors your heart rate during your workouts. **To purchase the optional chest pulse sensor, call the toll-free telephone number on the front cover of this manual.**



# MAINTENANCE AND TROUBLESHOOTING

Inspect and properly tighten all parts of the exercise cycle regularly. The exercise cycle can be cleaned with a soft, damp cloth. To prevent damage to the console, keep liquids away from the console and keep the console out of direct sunlight.

## TIGHTENING THE PEDALS

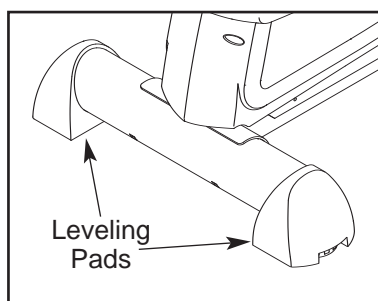
For best performance, regularly tighten both pedals.

## CONSOLE TROUBLESHOOTING

If the console display becomes dim, the batteries should be replaced. See assembly step 5 on page 6 for replacement instructions. If the console does not display your heart rate when you use the handgrip pulse sensor, see step 5 on page 13.

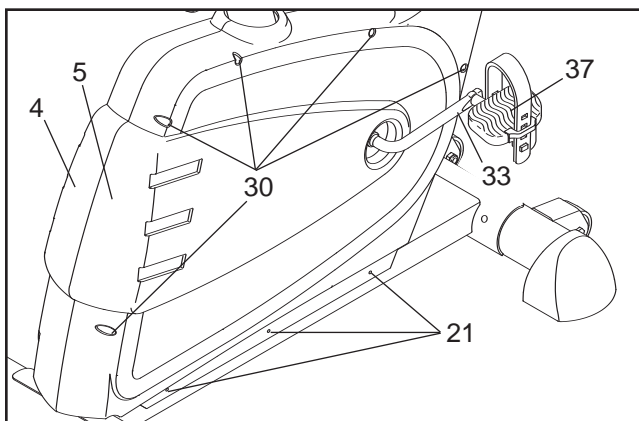
## HOW TO LEVEL THE EXERCISE CYCLE

If the exercise cycle rocks slightly on your floor, turn one or both of the leveling pads until the exercise cycle is level.



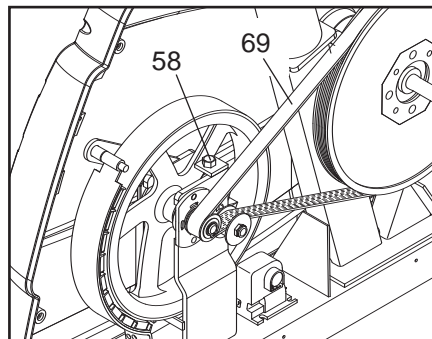
## HOW TO ADJUST THE BELT

If you can feel the pedals slip while you are pedaling, even when the resistance is at the highest level, the Belt (not shown) may need to be adjusted. To adjust the Belt, the Right Side Shield (5) must first be removed. Remove the indicated M4 x 38mm Screws (30) and M4 x 16mm Screws (21) from the Right Side



Shield. Using an adjustable wrench, turn the Right Pedal (37) counterclockwise and remove it. Next, turn the Crank (33) so that it points toward the front of the exercise cycle, and then slide off the Right Side Shield.

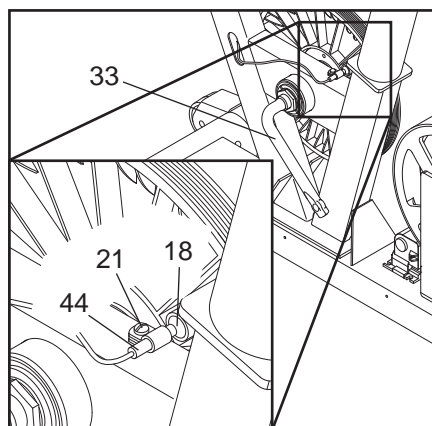
Next, turn the indicated M8 x 40mm Screw (58) until the Belt (69) is properly tightened. Then, reattach the right side shield and the right pedal.



## HOW TO ADJUST THE REED SWITCH

If the console does not display correct feedback, the reed switch should be adjusted. See HOW TO ADJUST THE BELT at the left. Remove the indicated M4 x 38mm Screws (30) from the Right Side Shield (5) and the M4 x 16mm Screws (not shown) from the Left Side Shield (4). Using an adjustable wrench, turn the Left Pedal (not shown) clockwise and remove it. Turn the Crank (33) so that it points toward the front of the exercise cycle, and then slide off the Left Side Shield.



Locate the Reed Switch (44). Turn the Crank (33) until the Magnet (18) is aligned with the Reed Switch. Loosen, but do not remove, the indicated M4 x 16mm Screw (21). Slide the Reed Switch slightly closer to or away from the Magnet. Then, retighten the Screw. Turn the Crank for a moment. Repeat until the console displays correct feedback. When the Reed Switch is correctly adjusted, reattach the left side shield and the left pedal.



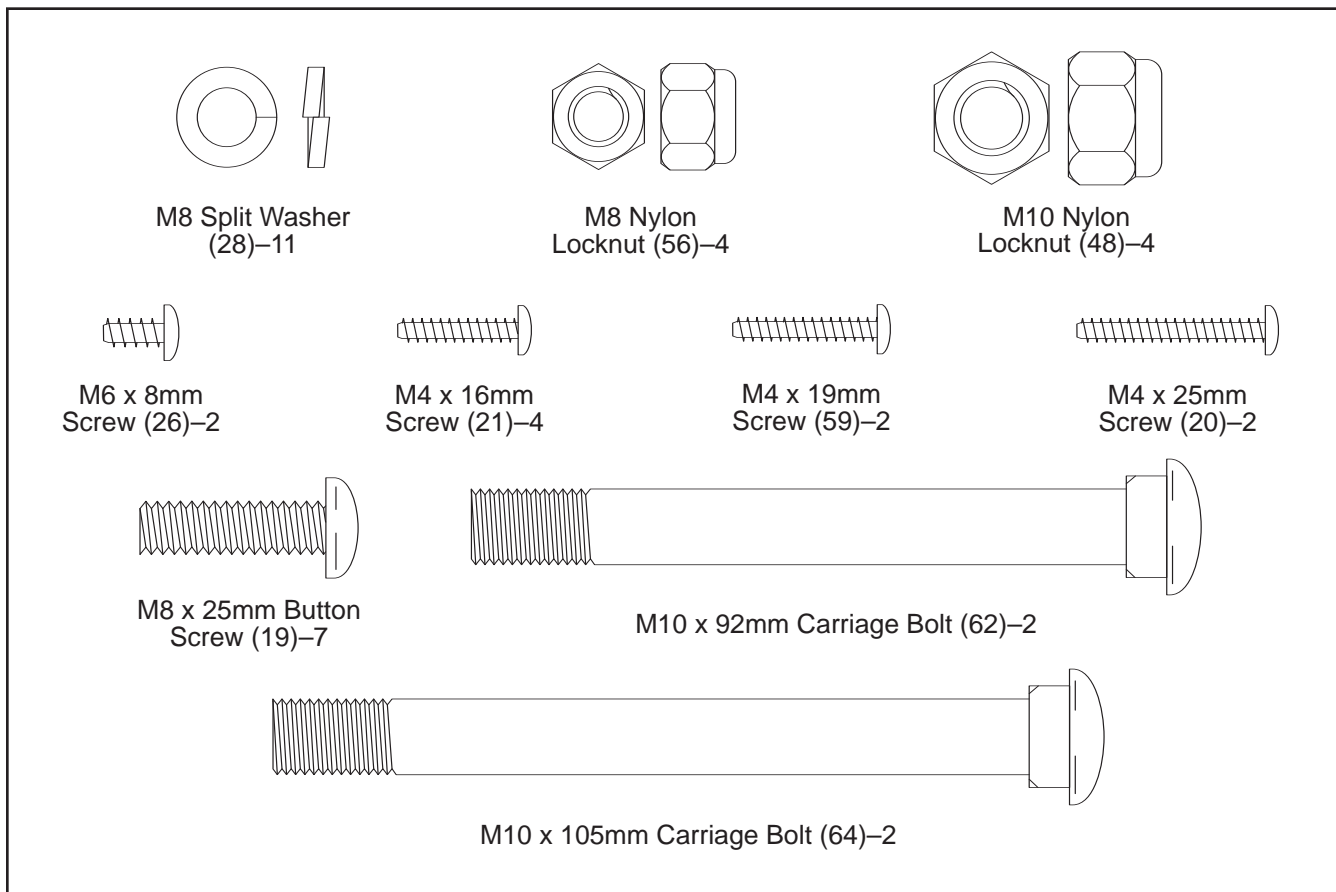


# ASSEMBLY

To hire an authorized service technician to assemble the exercise cycle, call toll-free 1-800-445-2480.

**Assembly requires two persons.** Place all parts of the exercise cycle in a cleared area and remove the packing materials. Do not dispose of the packing materials until assembly is completed. **Assembly requires the included hex keys and your own phillips screwdriver**  **and adjustable wrench** .

As you assemble the exercise cycle, use the drawings below to identify small parts. The number in parentheses below each drawing is the key number of the part, from the PART LIST on page 22. The second number is the quantity needed for assembly. **Note: Some small parts may have been preassembled. If a part is not in the parts bag, check to see if it has been preassembled.**



# PART LIST—Model No. PFEX4986.0

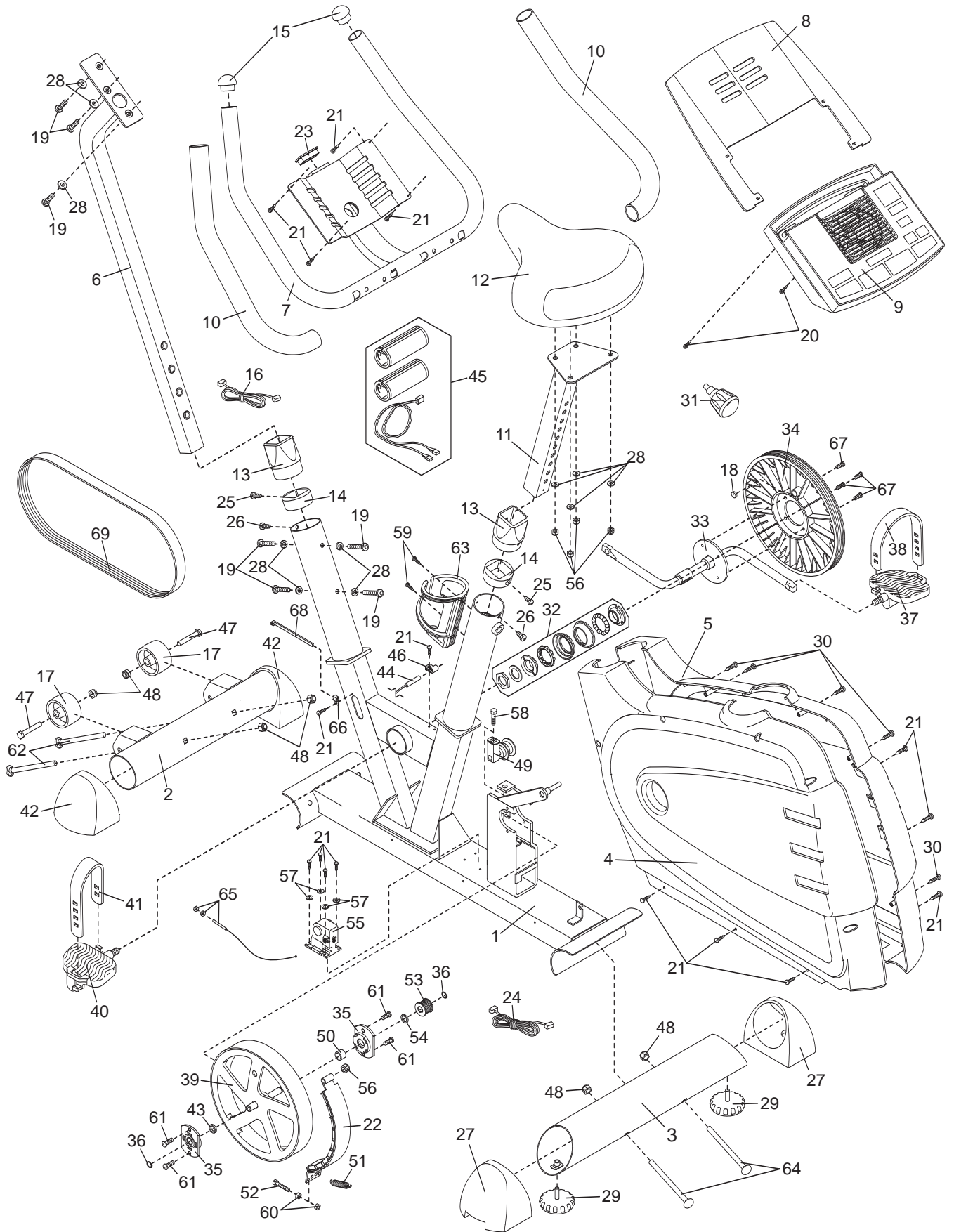
R0706A

Key No.	Qty.	Description	Key No.	Qty.	Description
1	1	Frame	37	1	Right Pedal
2	1	Front Stabilizer	38	1	Right Pedal Strap
3	1	Rear Stabilizer	39	1	Flywheel
4	1	Left Side Shield	40	1	Left Pedal
5	1	Right Side Shield	41	1	Left Pedal Strap
6	1	Handlebar Post	42	2	Stabilizer Endcap
7	1	Handlebar	43	1	Flywheel Spacer
8	1	Bookrack	44	1	Reed Switch/Wire
9	1	Console	45	1	Pulse Sensor Assembly
10	2	Handlebar Foam	46	1	Reed Switch Clamp
11	1	Seat Post	47	2	M10 x 60mm Button Bolt
12	1	Seat	48	6	M10 Nylon Locknut
13	2	Round Collar	49	1	Idler Arm Assembly
14	2	Round Bushing	50	1	Long Spacer
15	2	Handlebar Endcap	51	1	Spring
16	1	Upper Wire Harness	52	1	M6 x 50mm Bolt
17	2	Wheel	53	1	Small Pulley
18	1	Magnet	54	1	Flywheel Washer
19	7	M8 x 25mm Button Screw	55	1	Resistance Motor
20	2	M4 x 25mm Screw	56	5	M8 Nylon Locknut
21	16	M4 x 16mm Screw	57	4	M5 Washer
22	1	"C" Magnet	58	1	M8 x 40mm Screw
23	1	1" x 2" Endcap	59	2	M4 x 19mm Screw
24	1	Lower Wire Harness	60	2	M6 Nut
25	2	M4 x 12mm Screw	61	4	M6 x 13mm Button Screw
26	2	M6 x 8mm Screw	62	2	M10 x 92mm Carriage Bolt
27	2	Rear Stabilizer Endcap	63	1	Water Bottle Holder
28	11	M8 Split Washer	64	2	M10 x 105mm Carriage Bolt
29	2	Leveling Pad	65	1	Resistance Cable
30	5	M4 x 38mm Screw	66	1	Wiring Anchor
31	1	Seat Knob	67	4	M6 x 18mm Bolt
32	1	Crank Bearing Set	68	1	Nylon Zip Tie
33	1	Crank Assembly	69	1	Belt
34	1	Pulley	#	1	User's Manual
35	2	Pillow Block Set	#	1	Hex Key
36	2	Snap Ring	#	2	Assembly Tool

Note: "#" indicates a non-illustrated part. Specifications are subject to change without notice. See the back cover of this manual for information about ordering replacement parts.

# EXPLODED DRAWING—Model No. PFEX4986.0

R0706A



---

## ORDERING REPLACEMENT PARTS

To order replacement parts, see the front cover of this manual. To help us assist you, please be prepared to give the following information when contacting us:

- the MODEL NUMBER of the product (PFEX4986.0)
- the NAME of the product (PROFORM GT 90 exercise cycle)
- the SERIAL NUMBER of the product (see the front cover of this manual)
- the KEY NUMBER and DESCRIPTION of the part(s) (see the PART LIST on page 22)

PROFORM is a registered trademark of ICON IP, Inc.

### LIMITED WARRANTY

ICON Health & Fitness, Inc. (ICON) warrants this product to be free from defects in workmanship and material, under normal use and service conditions, for a period of ninety (90) days from the date of purchase. This warranty extends only to the original purchaser. ICON's obligation under this warranty is limited to replacing or repairing, at ICON's option, the product through one of its authorized service centers. All repairs for which warranty claims are made must be pre-authorized by ICON. If the product is shipped to a service center, freight charges to and from the service center will be the customer's responsibility. For in-home service, the customer will be responsible for a minimal trip charge. This warranty does not extend to any product or damage to a product caused by or attributable to freight damage, abuse, misuse, improper or abnormal usage or repairs not provided by an ICON authorized service center; products used for commercial or rental purposes; or products used as store display models. No other warranty beyond that specifically set forth above is authorized by ICON.

ICON is not responsible or liable for indirect, special or consequential damages arising out of or in connection with the use or performance of the product or damages with respect to any economic loss, loss of property, loss of revenues or profits, loss of enjoyment or use, costs of removal or installation or other consequential damages of whatsoever nature. Some states do not allow the exclusion or limitation of incidental or consequential damages. Accordingly, the above limitation may not apply to you.

The warranty extended hereunder is in lieu of any and all other warranties and any implied warranties of merchantability or fitness for a particular purpose is limited in its scope and duration to the terms set forth herein. Some states do not allow limitations on how long an implied warranty lasts. Accordingly, the above limitation may not apply to you.

This warranty gives you specific legal rights. You may also have other rights which vary from state to state.

**ICON HEALTH & FITNESS, INC., 1500 S. 1000 W., LOGAN, UT 84321-9813**

## Free Manuals Download Website

<http://myh66.com>

<http://usermanuals.us>

<http://www.somanuals.com>

<http://www.4manuals.cc>

<http://www.manual-lib.com>

<http://www.404manual.com>

<http://www.luxmanual.com>

<http://aubethermostatmanual.com>

Golf course search by state

<http://golfingnear.com>

Email search by domain

<http://emailbydomain.com>

Auto manuals search

<http://auto.somanuals.com>

TV manuals search

<http://tv.somanuals.com>