

SAFETY PRECAUTIONS

On Use

Never use the unit where it would be subject to:

- Heat sources such as radiators or air ducts.
- Direct sunlight.
- Excessive dust.
- Moisture or rain.
- Mechanical vibration or shock.
- Uneven surface.
- Do not place any heavy objects on top of the unit.
- When the unit is used with an AC power adapter, do not wrap the unit in a cloth, blanket, etc. If you do so, the temperature inside and outside the unit may rise considerably, resulting in malfunctioning of the unit.
- If the unit is brought directly from a cold to a warm location, or is placed in a very damp room, the moisture may condense on the lens inside the unit. Should this occur, the unit will not operate. In this case, remove the disc and leave the unit in a warm place for several hours until the moisture evaporates.
- For the unit to operate at its best, it should not be subject to temperatures below 41°F (5°C) or above 95°F (35°C).

Additional safety information

- Apparatus shall not be exposed to dripping or splashing and no objects filled with liquids, such as vases, shall be placed on the apparatus.
- Always leave sufficient space around the product for ventilation. Do not place product in or on a bed, rug, in a bookcase or cabinet that may prevent air flow through vent openings.
- Do not place lighted candles, cigarettes, cigars, etc. on the product.
- Connect power plug only to AC power source as marked on the product.
- Care should be taken so that objects do not fall into the product.
- Do not attempt to disassemble the cabinet. This product does not contain customer serviceable components.

Precautions

- This compact disc player uses a laser to read the music on the disc. The laser mechanism corresponds to the cartridge and stylus of a record player. Although this product incorporates a laser pick-up lens, it is completely safe when operated according to directions.
- Discs rotate at high speed inside the player. Do not use damaged, warped, or cracked discs.
- Do not touch the pick-up lens which is located inside the disc compartment. To keep dust from collecting on the pick-up lens, do not leave the compartment door open for an extended period of time. If the lens becomes dirty, clean it with a soft brush, or use an air blower brush designed for camera lenses.

Headset safety

- Have a Blast-Just Not in your eardrums! Make sure you turn down the volume on the unit before you put on headphones. Increase the volume to the desired level only after headphone are in place.
- Do not play your headset at high volume. Hearing experts warn against extended high-volume play.
- If you experience ringing in your ears, reduce volume or discontinue use.
- You should use with extreme caution or temporarily discontinue use in potentially hazardous situations. Even if your headset is an open-air designed to let you to hear outside sounds, do not turn up the volume so high that you are unable to hear what is around you.
- Excessive sound pressure from earphones and headphone can cause hearing loss.

IMPORTANT SAFETY INSTRUCTIONS

1. Read these instructions.
2. Keep these instructions.
3. Heed all warnings.
4. Follow all instructions.
5. Do not use this apparatus near water.
6. Clean only with dry cloth.
7. Do not block any ventilation openings. Install in accordance with the manufacturer's instructions.
8. Do not install near any heat sources such as radiators, heat registers, stoves, or other apparatus (including amplifiers) that produce heat.
9. Do not defeat the safety purpose of the polarized or grounding-type plug. A polarized plug has two blades with one wider than the other. A grounding type plug has two blades and a third grounding prong. The wide blade or the third prong are provided for your safety. If the provided plug does not fit into your outlet, consult an electrician for replacement of the obsolete outlet.
10. Protect the power plug from being walked on or pinched particularly at plugs, convenience receptacles, and the point where they exit from the apparatus.
11. Only use attachments/accessories specified by the manufacturer.
12. Use only with a cart, stand, tripod, bracket, or table specified by the manufacturer, or sold with the apparatus. When a cart is used, use caution when moving the cart/apparatus combination to avoid injury from tip-over.



Portable Cart Warning

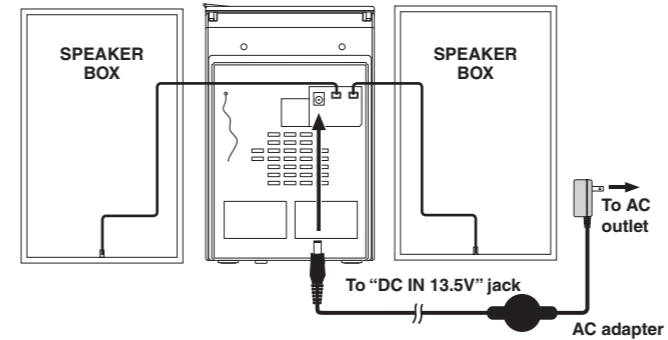
13. Unplug this apparatus during lightning storms or when unused for a long period of time.
14. Refer all servicing to qualified service personnel. Servicing is required when the apparatus has been damaged in any way, such as the power-supply cord or plug is damaged, liquid has spilled or objects have fallen into the apparatus, the apparatus has been exposed to rain or moisture, does not operate normally, or has been dropped.

SYSTEM CONNECTIONS

Speaker Connections

Connect one speaker to the R terminal and the other speaker to the L terminal.

Note: Connecting speakers other than the speakers supplied with the unit may damage the unit.



Using the AC Adapter

Using an AC adapter other than the one supplied with the unit may damage the unit.

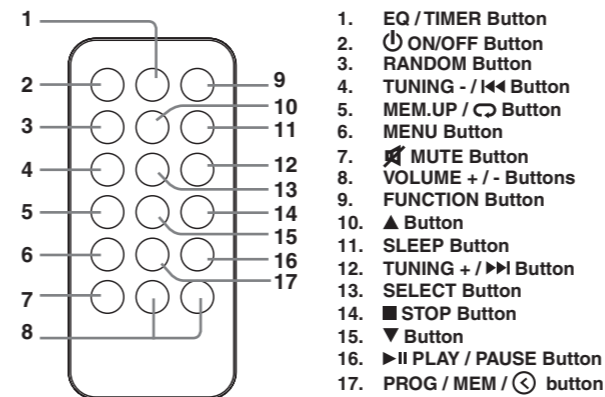
CAUTIONS:

- Before use, ensure the rated voltage of the adapter matches your local voltage.
- The included AC adapter is for use with this unit only. Do not use it with other equipment.
- If you are not going to use the unit for a long time, disconnect the AC adapter from the wall outlet.
- Whenever the AC adapter is plugged in to a wall outlet, electricity is running through the unit, even when the power switch is turned off.

FM ANTENNA

Do not connect the FM antenna to an outside antenna.

REMOTE CONTROL



Using the Remote Control Correctly

- Point the remote control at the REMOTE SENSOR located on the unit.
- When there is a strong ambient light source, the performance of the infrared REMOTE SENSOR may be degraded, causing unreliable operation.
- The recommended effective distance for remote operation is about 19 feet (6 meters).

To Change Battery

ATTENTION
Remove the plastic sheet before operating the remote control.

1. Open the battery door.
2. Insert one CR2025 (3V) size battery.

Battery Replacement

When the battery becomes weak, the operating distance of the remote control is greatly reduced and you will need to replace it.

Note: If the remote control is not going to be used for a long time, remove the battery to avoid damage caused by battery leakage corrosion.

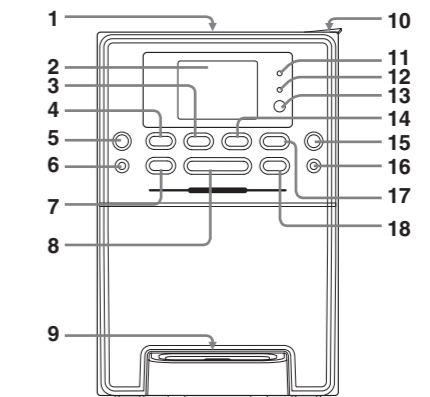
WARNINGS:

- Do not dispose of battery in fire; battery may explode or leak.
- Battery shall not be exposed to excessive heat such as sunshine, fire or the like.
- Danger of explosion if battery is incorrectly replaced. Replace only with the same or equivalent type.

CAUTION: When discarding batteries, environmental problems must be considered and local rules or laws governing the disposal of these batteries must be strictly followed.

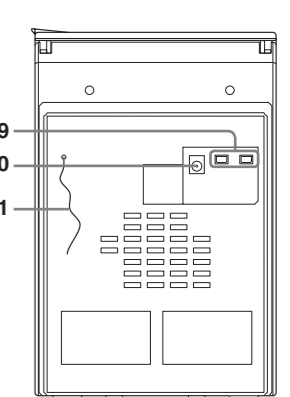
LOCATION OF CONTROLS

Front View



1. CD Door
2. Display
3. MEM.UP / \square Button
4. FUNCTION Button
5. \square STANDBY/ON Button
6. \square Earphone Jack
7. PROG / MEM / \square Button
8. TUNING + / \square Button
TUNING - / \square Button
9. iPod Dock
10. OPEN Knob

Rear View



11. Standby Indicator
12. TIMER Indicator
13. Remote Control Sensor
14. \square PLAY/PAUSE Button
15. \square STOP Button
16. LINE IN Jack
17. VOL + Button
18. VOL - Button
19. Right & Left Speaker Terminals
20. DC IN 13.5V Jack
21. FM Antenna

VOLUME ADJUSTMENT

To Adjust the Volume

Adjust the VOLUME levels to obtain the desired volume.

Note: Press the \square MUTE button to turn off the sound and the volume numbers will blink on the display. Press the \square MUTE button again or press the VOLUME +/- buttons to resume the voice.

For Personal Listening

Connect headphones (Ø3.5mm stereo mini plug) to the \square earphone jack. Adjust the VOLUME levels to obtain the desired volume.

When headphones are connected, the speakers are automatically muted.

Warning: Excessive sound pressure from earphone and headphones can cause hearing loss.

CLOCK SETTING

Setting the clock can only be done in STANDBY mode.

- If the unit is plugged in with the supplied AC adapter and the unit is in standby mode, the standby indicator illuminates.

1. Press and hold the PROG/MEM/\square button until the hour digits blink.
2. Tap the \square or \square button to adjust the desired hours then tap the PROG/MEM/\square button once to confirm. The minute digits will begin to blink.
3. Tap the \square or \square button to adjust the desired minutes then tap the PROG/MEM/\square button once to start clock.

12:00 PM = NOON time, and "PM" appears.



Note:

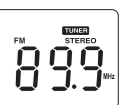
- In iPod/AUX mode, the current time is always shown on the display.

LISTENING TO THE RADIO

1. Press the \square button to turn the unit on.
2. Press the FUNCTION button to switch to TUNER mode.
3. Press the \square or \square button to tune in to a station.
4. Adjust the volume levels.

Searching for a Station Automatically

- Press and hold the \square or \square button until the tuner starts searching for a station, then release. After tuning in a station, the search stops.
- The search may not stop at a station with a very weak signal.



Free Manuals Download Website

<http://myh66.com>

<http://usermanuals.us>

<http://www.somanuals.com>

<http://www.4manuals.cc>

<http://www.manual-lib.com>

<http://www.404manual.com>

<http://www.luxmanual.com>

<http://aubethermostatmanual.com>

Golf course search by state

<http://golfingnear.com>

Email search by domain

<http://emailbydomain.com>

Auto manuals search

<http://auto.somanuals.com>

TV manuals search

<http://tv.somanuals.com>