

# XMODS® Street Custom RC Metal Bearings Upgrade Kit

Installation Difficulty: **ADVANCED**

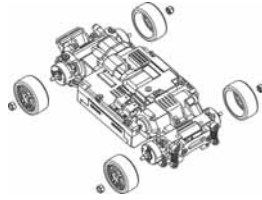
60-440

Upgrade from standard plastic to metal ball bearings for reduced friction, greater precision, and better handling. Before installing, turn off your vehicle and controller, then detach the car body.

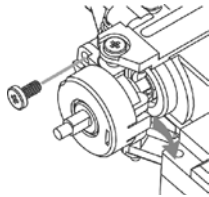
*Hint: Carefully count and set aside screws while disassembling so you can properly re-assemble later.*

## Upgrading the Metal Bearings for your XMODS

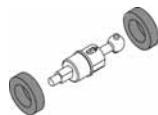
- 1** Use the lug wrench supplied in your Starter Kit to detach each of the lug nuts and wheels.



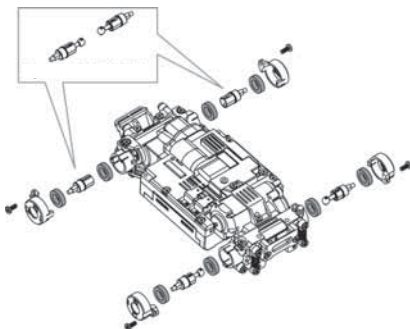
- 2** Remove the screw on the knuckle cap (or disk brake if you have changed it on your older EVO model). Carefully unlatch the claw and pull out the wheel shaft and knuckle cap/disk brake.



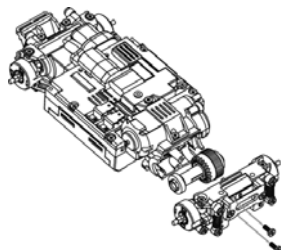
- 3** Remove the bearings on both ends of the wheel shaft. Wipe the grease off the wheel shaft and install the metal bearings. The grease ensures smooth operation with the original bearings. When you use the metal bearings, grease is not necessary.



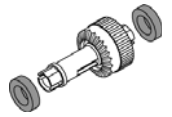
- 4** Align the drive shaft to the joint cup and reassemble the wheel shafts with the drive shaft installed into the knuckles. Then, replace the knuckle caps/disk brakes and wheels. Unless you have installed the **All Wheel Drive** kit, your front wheels do not have a drive shaft/joint cup, so just reassemble the front wheel shaft.



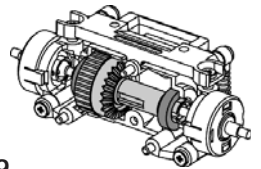
- 5** Remove the two screws that hold the rear drive unit and detach it. Remove the upper screw first. Move the rear upper arm and rear attachment holder out of the way, then, remove the lower screw.



- 6** Take out the rear differential gear unit, and replace the bearing on both ends.

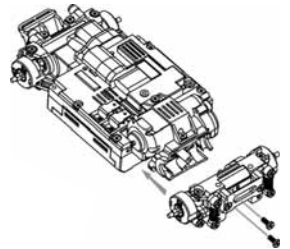


- 7** Install the differential gear assembly into the rear drive unit and insert the drive shafts at both sides.



**If you have installed the All Wheel Drive kit, skip to Step 9.**

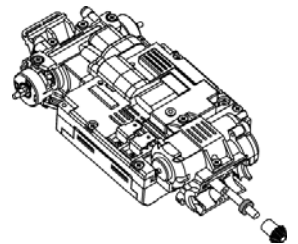
- 8** Align the rear arm shaft to their holes and replace the rear drive unit. You might find it easier to remove the dampers, and reinstall them after you attach the rear drive unit.



**If you have not installed the All Wheel Drive kit, this completes the procedure.**

- 9** **If you have installed the All Wheel Drive kit:**

Detach the center gear and shaft and replace the small bearing on the center shaft with the small metal bearing. Tweezers might help with this step.

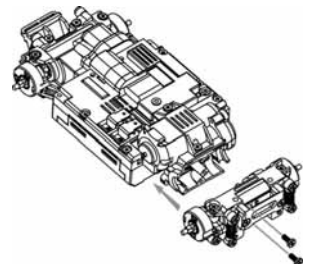


- 10** Place the center gear on the center shaft. Lightly press and rotate the center gear so the flat side of the center shaft and the center gear lock together.

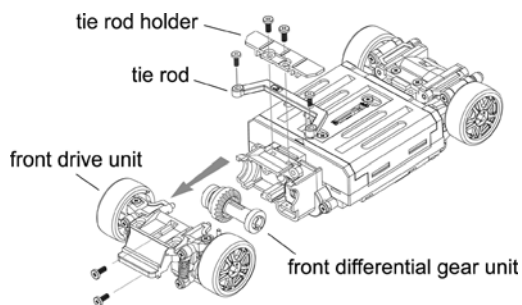


- 11** Restore the center shaft and center gear into their original positions and rotate so the front center gear meshes with the shaft.

- 12** Align the rear arm shafts to matching holes and replace the rear drive unit. You might find it easier to remove the dampers first. Reinstall them after attaching the rear drive unit.



- 13** Loosen the two screws from the tie rod holder and the screws on the tie rod to remove the tie rod holder and tie rod. Loosen the two screws from the front gear case to release the front drive unit and detach the front gear case cover.

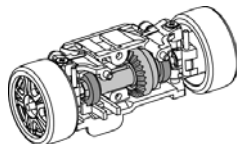


- 14** Replace the bearing on both sides of the differential gear.

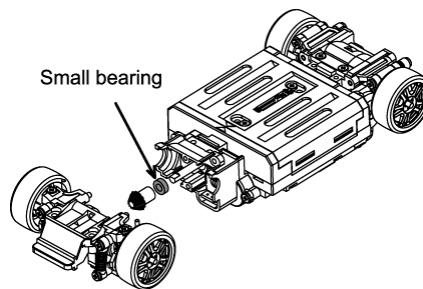
- 15** Attach the front drive shafts, as shown in the illustration.



- 16** Detach the center gear and the center shaft and replace the small bearing on the center shaft with the new metal one. Tweezers may be helpful for this step.

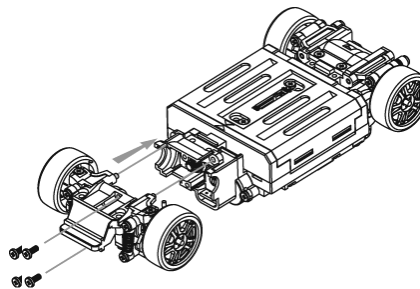


- 17** Place the center gear back onto the center shaft. Lightly press and rotate the center gear so the flat side of the center shaft and the center gear mesh.



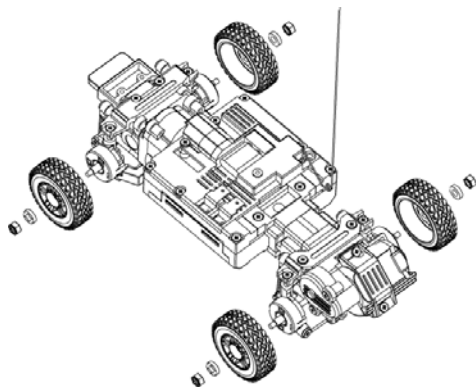
- 18** Restore the center gear and shaft into their original positions and rotate center gear so the rear center gear meshes with the shaft.

- 19** Align the front arm shafts with the proper holes, then attach the front drive unit—with differential gear installed—to the chassis. Replace the tie rod and tie rod holder.

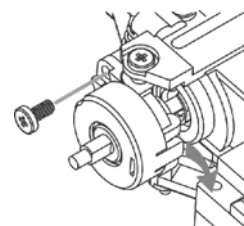


## Upgrading with Older XMODS® Truck Models

- 1** Use the lug wrench supplied in your Starter Kit to detach the lug nuts and wheels.



- 2** Loosen and remove the screw on the knuckle cap (or disk brake if you have changed it). Carefully unlatch the claw on the knuckle cap and pull out the wheel shaft along with the knuckle cap.

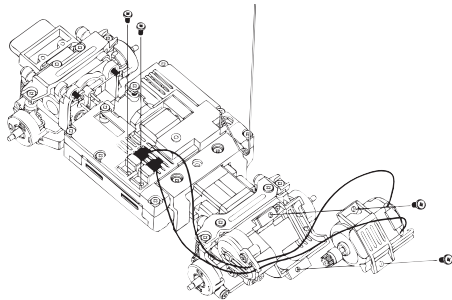


- 3** Remove the bearings on both ends of the wheel shaft. Wipe the grease off the wheel shaft and install the metal bearings. The grease ensures smooth operation with the original bearings. When you use the metal bearings, grease is not necessary.

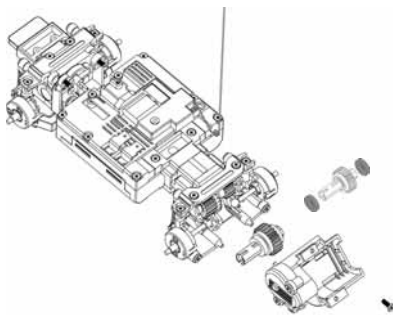


**4** Align the drive shaft to the joint cup and reassemble the wheel shafts with the drive shaft installed into the knuckles. Then, replace the knuckle caps/disk brakes and wheels. Unless you have installed the **All Wheel Drive** kit, your front wheels do not have a drive shaft/joint cup, so just reassemble the front wheel shaft.

**5** Remove the two screws on the motor connector and the two screws on the motor cover and detach the motor.

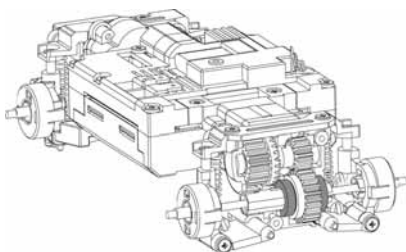


**6** Remove the two screws on the rear drive unit to remove the rear gear case. Then, remove the differential gear and the third gear.



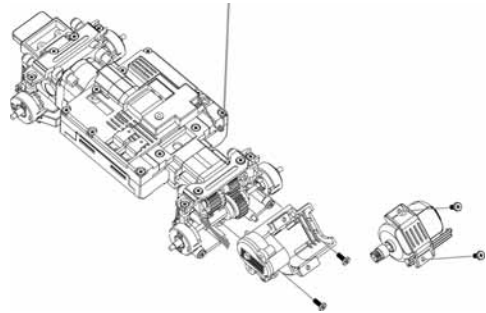
**7** Replace the bearing on its both ends of the differential gear. **If you have installed the All Wheel Drive kit, skip to Step 11.**

**8** Align the drive shaft and restore the rear differential gear unit as shown.

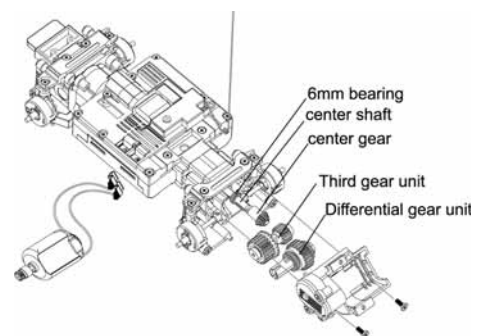


**9** Align the shafts of the rear arms and re-assemble the rear gear case.

**10** Re-assemble the motor, the motor holder, and the motor connector. **If you have NOT installed the All Wheel Drive kit, this completes the upgrade.**



**11** **If you have installed the All Wheel Drive kit:** Remove the center gear and the center shaft and replace the small bearing. Tweezers may be helpful for this step.

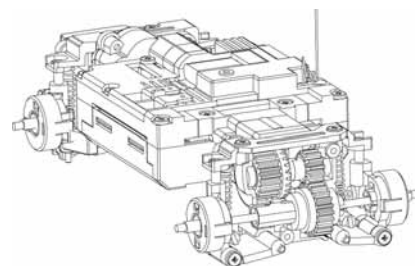


**12** Place the center gear back on the center shaft. Lightly press and rotate the center gear so the flat side of the center shaft and the center gear mesh.



**13** Restore the center shaft with center gear into the original position and rotate center gear so the front center gear meshes with the shaft.

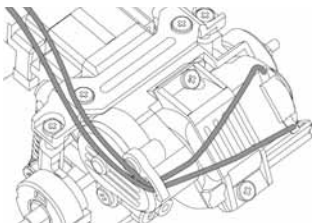
**14** Reinstall the third gear, then align the drive shafts and restore the rear differential gear unit as shown.



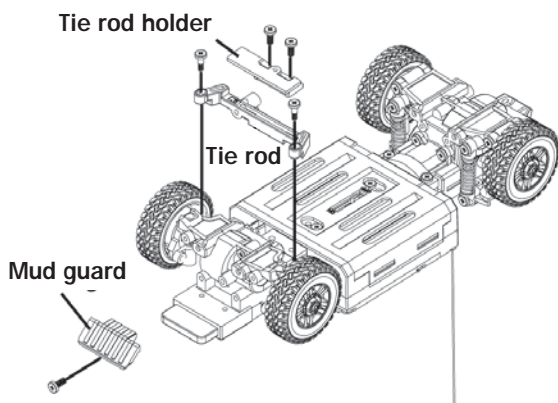
**15** Align the shafts of the rear arms and reassemble the rear gear case.



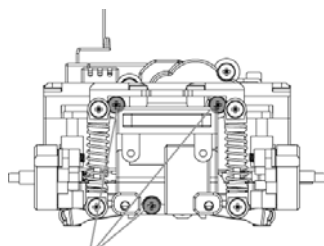
**16** Reassemble the motor and the motor holder. Route the wire through the strain relief hook on the left side.



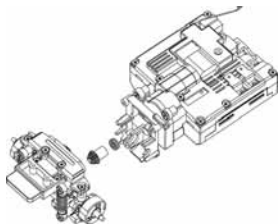
**17** Remove two screws each from the tie rod holder and the tie rod, then remove one screw to detach the mud guard.



**18** Remove the three screws on front gear case to detach it.



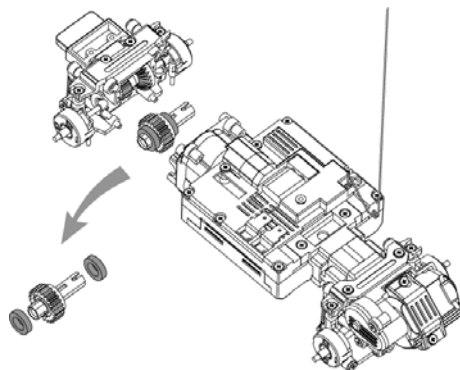
**19** Remove the front center gear and the center shaft and take out the small bearing. Tweezers may be helpful for this step.



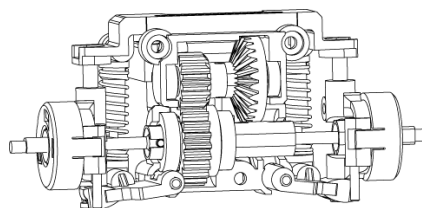
**20** Reattach the center gear to the center shaft. Lightly press and rotate the center gear so the flat side of the center shaft and the center gear mesh.

**21** Restore the center shaft with center gear to their original positions, and rotate the center gear so the rear center gear meshes with the shaft.

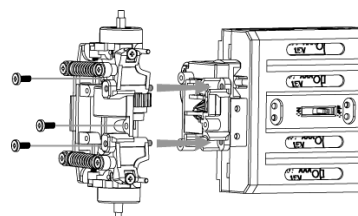
**22** Take out the front differential gear unit and replace the bearings on both sides of the gear.



**23** Restore the front differential gear unit as shown in the illustration.



**24** Align the front arm shafts to the proper holes and reassemble the front gear case.



**25** Reassemble the tie rod and tie rod holder, and then the mud guard.

## Limited Warranty

This product is warranted by RadioShack against manufacturing defects in material and workmanship under normal use for ninety (90) days from the date of purchase from RadioShack company-owned stores and authorized RadioShack franchisees and dealers. EXCEPT AS PROVIDED HEREIN, RadioShack MAKES NO EXPRESS WARRANTIES AND ANY IMPLIED WARRANTIES, INCLUDING THOSE OF MERCHANTABILITY AND FITNESS FOR A PARTICULAR PURPOSE, ARE LIMITED IN DURATION TO THE DURATION OF THE WRITTEN LIMITED WARRANTIES CONTAINED HEREIN. EXCEPT AS PROVIDED HEREIN, RadioShack SHALL HAVE NO LIABILITY OR RESPONSIBILITY TO CUSTOMER OR ANY OTHER PERSON OR ENTITY WITH RESPECT TO ANY LIABILITY, LOSS OR DAMAGE CAUSED DIRECTLY OR INDIRECTLY BY USE OR PERFORMANCE OF THE PRODUCT OR ARISING OUT OF ANY BREACH OF THIS WARRANTY, INCLUDING, BUT NOT LIMITED TO, ANY DAMAGES RESULTING FROM INCONVENIENCE, LOSS OF TIME, DATA, PROPERTY, REVENUE, OR PROFIT OR ANY INDIRECT, SPECIAL, INCIDENTAL, OR CONSEQUENTIAL DAMAGES, EVEN IF RadioShack HAS BEEN ADVISED OF THE POSSIBILITY OF SUCH DAMAGES.

Some states do not allow limitations on how long an implied warranty lasts or the exclusion or limitation of incidental or consequential damages, so the above limitations or exclusions may not apply to you.

In the event of a product defect during the warranty period, take the product and the RadioShack sales receipt as proof of purchase date to any RadioShack store. RadioShack will, at its option, unless otherwise provided by law: (a) correct the defect by product repair without charge for parts and labor; (b) replace the product with one of the same or similar design; or (c) refund the purchase price. All replaced parts and products, and products on which a refund is made, become the property of RadioShack. New or reconditioned parts and products may be used in the performance of warranty service. Repaired or replaced parts and products are warranted for the remainder of the original warranty period. You will be charged for repair or replacement of the product made after the expiration of the warranty period.

This warranty does not cover: (a) damage or failure caused by or attributable to acts of God, abuse, accident, misuse, improper or abnormal usage, failure to follow instructions, improper installation or maintenance, alteration, lightning or other incidence of excess voltage or current; (b) any repairs other than those provided by a RadioShack Authorized Service Facility; (c) consumables such as fuses or batteries; (d) cosmetic damage; (e) transportation, shipping or insurance costs; or (f) costs of product removal, installation, set-up service adjustment or reinstallation.

This warranty gives you specific legal rights, and you may also have other rights which vary from state to state.

RadioShack Customer Relations  
300 RadioShack Circle, Fort Worth, TX 76102

12/99



©2008 RadioShack Corporation. All Rights Reserved.  
RadioShack and RadioShack.com are trademarks used by RadioShack Corporation.  
[www.xmodsRC.com](http://www.xmodsRC.com)

60-440  
07A08  
INS-3362-US-08  
Printed in China

## Free Manuals Download Website

<http://myh66.com>

<http://usermanuals.us>

<http://www.somanuals.com>

<http://www.4manuals.cc>

<http://www.manual-lib.com>

<http://www.404manual.com>

<http://www.luxmanual.com>

<http://aubethermostatmanual.com>

Golf course search by state

<http://golfingnear.com>

Email search by domain

<http://emailbydomain.com>

Auto manuals search

<http://auto.somanuals.com>

TV manuals search

<http://tv.somanuals.com>