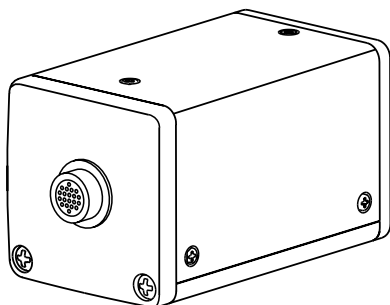


CAMERA CONTROL UNIT

IK-TF7U



For Customer Use

Enter below the Serial # which is located on the bottom of the cabinet. Retain this information for future reference.

Model #: IK-TF7U

Serial #: _____

FCC NOTICE

This equipment has been tested and found to comply with the limits for a Class A digital device, pursuant to Part 15 of the FCC Rules. These limits are designed to provide reasonable protection against harmful interference when the equipment is operated in a commercial environment. This equipment generates, uses, and can radiate radio frequency energy and, if not installed and used in accordance with the instruction manual, may cause harmful interference to radio communications. Operation of this equipment in a residential area is likely to cause harmful interference in which case the user will be required to correct the interference at his own expense.

USER-INSTALLER CAUTION: Your authority to operate this FCC verified equipment could be voided if you make changes or modifications not expressly approved by the party responsible for compliance to Part 15 of the FCC Rules.

This Class A digital apparatus complies with Canadian ICES-003.

Cet appareil numérique de la classe A est conforme à la norme NMB-003 du Canada.

Following information is only for EU-member states:

The use of the symbol indicates that this product may not be treated as household waste. By ensuring this product is disposed of correctly, you will help prevent potential negative consequences for the environment and human health, which could otherwise be caused by inappropriate waste handling of this product. For more detailed information about the takeback and recycling of this product, please contact your supplier where you purchased the product or consult.



SAFETY PRECAUTIONS

Safety icons

This manual contains safety instructions that must be observed in order to avoid potential hazards that could result in personal injuries, damage to your equipment, or loss of data. These safety cautions have been classified according to the seriousness of the risk, and the icons highlight these instructions as follows:

▲ WARNING Indicates a potentially hazardous situation which, if not avoided, could result in death or serious injury.

▲ CAUTION Indicates a potentially hazardous situation which, if not avoided, may result in minor or moderate injury.

CAUTION Indicates a potentially hazardous situation which, if not avoided, may result in property damage.

▲ WARNING **Stop operation immediately if any abnormality or defect occurs.**
Use during an abnormal condition; such as emitting smoke, burning odors, damage from dropping invasion of foreign objects, etc. may result in fire and/or electric shock. Immediately disconnect the power source and contact your dealer.

▲ WARNING **Avoid installing in a shower room or a bathroom.**
This may result in fire and/or electric shock.

▲ WARNING **Do not operate in places where the product may get wet.**
This may result in fire and/or electric shock.

▲ WARNING **Do not repair, disassemble and/or modify by yourself.**
This may result in fire and/or electric shock. Be always sure to contact your dealer for internal repair, check and cleaning of the product.

▲ WARNING **Use the specified power supply.**
Otherwise, fire or electrical shock may occur.

▲ WARNING **Don't place anything on top of the unit.**
Foreign materials, such as metals or liquids into the product may result in fire and/or electrical shock.

▲ WARNING **Do not put the product on an unstable, slanted on vibrating surface.**
The product dropping or falling may cause serious injury.

▲ WARNING **Do not touch the product or any connection cables during a thunderstorm.**
This may result in shock.

CAUTION**Note the following instructions when installing.**

- Do not cover the product with any material.
- Do not place the product on any confined Inflammable material such as a carpet or blanket.
- Do not place the product in a narrow space, as this may cause heat to buildup inside the product.

Failure to follow the above cautions may result in fire.

CAUTION**Do not place the product in direct sunshine and/or high temperature.**

Temperature build up inside the product may result in fire.

▲ CAUTION**Avoid placing in humid, smoky, vaporized or dusty places.**

This may result in fire and/or electric shock.

CAUTION**Ask your dealer to perform a periodical check and internal cleaning (approx. once every five years).**

Dust inside the product may result in fire. For check and cleaning cost, please consult your dealer.

The following description is for that a camera head “IK-TF7H” connected to this camera control unit.

▲ CAUTION**Do not point the lens directly at the sun and/or intensive light such as direct sunlight, etc.**

Focusing of the light may cause eye injury and/or fire.

Disclaimer

We disclaim any responsibility and shall be held harmless for any damages or losses incurred by the user in any of the following cases:

1. Fire, earthquake or any other act of God; acts by third parties; misuse by the user, whether intentional or accidental; use under extreme operating conditions.
2. Malfunction or non-function resulting in indirect, additional or consequential damages, including but not limited to loss of expected income and suspension of business activities.
3. Incorrect use not in compliance with instructions in this instruction manual.
4. Malfunctions resulting from misconnection to other equipment.
5. Repairs or modifications made by the user or caused to be made by the user and carried out by an unauthorized third party.
6. Notwithstanding the foregoing, Toshiba’s liabilities shall not, in any circumstances, exceed the purchase price of the product.

Limitation of Usage

The product is not designed for any “critical applications.” “Critical applications” means life support systems, exhaust or smoke extraction applications, medical applications, commercial aviation, mass transit applications, military applications, homeland security applications, nuclear facilities or systems or any other applications where product failure could lead to injury to persons or less of life or catastrophic property damage. Accordingly, [Toshiba/TAIS] disclaims any and all liability arising out of the use of the product in any critical applications.

Protection of Personal Information

Images taken by the camera that reveal the likeness of an individual person may be considered personal information. To disclose, exhibit or transmit those images over the internet or otherwise, consent of the person may be required.

Copyright and Right of Portrait

There may be a conflict with the Copyright Law and other laws when a customer uses, displays, distributes, or exhibits an image picked up by the camera without permission from the copyright holder. Please also note that transfer of an image or file covered by copyright is restricted to use within the scope permitted by the Copyright Law.

TABLE OF CONTENTS

1. CAUTIONS ON USE AND INSTALLATION	5	(4. 4) Changing B pedestal	22
2. COMPONENTS	5	(4. 5) Changing the shading correction mode	23
3. NAMES AND FUNCTIONS	6	(4. 6) Changing the manual shading correction setting	23
4. CONNECTION	7	(5) SYNC	23
4. 1 Standard Connection	7	(5. 1) Adjusting horizontal phase	23
4. 2 Cautions on Connection	7	(6) OPTION	23
4. 3 Connector Pin Assignments	7	(6. 1) Changing serial communication baud rate	23
5. OPERATION	8	(7) Returning to factory settings	24
5. 1 Automatic Black Balance	8	7. 3 Synchro. Scan Operation	24
5. 2 White Balance	8	(1) Setting by 1H	24
5. 3 Gain	10	(2) Setting by the frame	24
5. 4 Sading Correction	10	7. 4 E. TRG (External trigger)	25
6. ITEMS CONTROLLED BY THE SCREEN DISPLAY	11	(1) 1P SNR (1 Pulse Trigger Sync Non Reset)	25
7. MODE SETTING BY THE SCREEN DISPLAY ..	12	(1. 1) 1 Pulse Trigger SYNC-NON RESET Picture Output Timing	25
7. 1 Using the Menus	12	(2) 1P SR (1 Pulse Trigger Sync Reset)	26
7. 2 Menus	13	(2. 1) 1 Pulse Trigger SYNC-RESET Picture Output Timing	26
(1) SHUTTER (Electronic shutter)	13	(3) PW SNR (Pulse width trigger SYNC-NON RESET)	27
(1. 1) Changing the setting in MANU mode	14	(3. 1) Pulse Width Trigger SYNC-NON RESET Picture Output Timing	27
(1. 2) Changing the setting in SS (synchro. scan) mode	15	(4) PW SR (Pulse width trigger SYNC-RESET)	28
(1. 3) Changing the setting in E. TRG mode	16	(4. 1) 1 Pulse Width Trigger SYNC-RESET Picture Output Timing	28
(1. 3. 1) Changing the setting in 1P SNR mode	16	(5) RR (Reset restart)	29
(1. 3. 2) Changing the setting in 1P SR mode	17	(5. 1) Long Term Exposure	29
(1. 3. 3) Changing the setting in PW SNR mode	18	(5. 2) Input Timing Chart Example	29
(1. 3. 4) Changing the setting in PW SR mode	19	7. 5 Partial Read	30
(1. 3. 5) Changing the setting in RR mode	19	(1) Partial Scanning OFF (All pixels scanning)	30
(2) GAIN (Video gain)	20	(2) Partial Scanning ON	30
(2. 1) Changing the setting in GAIN	20	(3) When Partial Scanning Mode is ON	30
(3) WHT BAL (White balance)	21	7. 6 External Sync	31
(3. 1) Changing the setting in AWB (Automatic White Balance) mode	21	(1) External sync signal polarity	31
(3. 2) Changing the setting in MANU (Manual) mode	21	(2) External sync frequency range	31
(4) PROCESS	22	(3) Using the unit with external sync signal ..	31
(4. 1) Changing gamma correction	22	(3. 1) H (horizontal) phase adjustment	31
(4. 2) Changing master pedestal	22	8. INPUT OUTPUT SIGNAL SPECIFICATIONS	32
(4. 3) Changing R pedestal	22	(1) HD Input Specifications	32
		(2) VD Input Specifications	32

(3) Trigger Pulse Specifications	32	(2) Vertical Output Waveform Timing Chart ...	33
(4) External HD/VD Input Phase Specifications	32	10. SPECIFICATIONS	34
9. OUTPUT WAVEFORM TIMING CHART	33	11. EXTERNAL APPEARANCE DIAGRAM	35
(1) Horizontal Output Waveform Timing Chart ...	33	12. BEFORE MAKING A SERVICE CALL	35

This product is 3CCD color camera with digital video output.

1. CAUTIONS ON USE AND INSTALLATION

- **Handling the unit.**

Do not drop, jolt, or vibrate, as this may result in damage to the unit. This may cause problems. Treat the camera cables carefully to prevent cable problems, such as breaks in the cable and loose connections.

- **Install the camera in a location free from noise.**

If the camera or the cables are located near power utility lines or a TV, etc. undesirable noise may appear on the screen. In such a case, try to change the location of the camera or the cable wiring.

- **Operating ambient temperature and humidity.**

Do not use the camera in places where temperature and humidity exceed the specifications. Picture quality will deteriorate and internal parts may be damaged.

Be particularly careful when using in places exposed to direct sunlight. When shooting in hot places, depending on the conditions of the object and the camera (for example when the gain is increased), noise in the form of vertical strips or white dots may occur. This is not a malfunction.

- **When not using the camera for extended periods of time.**

Switch the control unit off and disconnect the power supply.

- **Avoid using or storing the camera in the following places:**

Places filled with highly flammable and corrosive gas.

Places near gasoline, benzene, or paint thinner.

Places subject to strong vibration.

Places containing chemicals (such as pesticides), rubber or vinyl products for extended periods of time.

The following descriptions are for that a camera head "IK-TF7H" connected to this camera control unit.

- **Do not shoot intense light.**

If there is an intense light at a location on the screen such as a spot light, a blooming and smearing may occur. When intense light enters, vertical stripes may appear on the screen. This is not a malfunction. Ghosts may occur when there is an intense light near the object. In this case, change the shooting angle.

- **Moire**

A moire pattern is an interference pattern generated when two repetitive line patterns overlap. This is not a malfunction. Eliminating the repetitive line patterns, or aligning the two patterns, will eliminate the moire.

- **Handling of the camera head and protection cap.**

Keep the camera head and protection cap away from as they may pose a choking hazard. The protection cap protects the image sensing plane when the lens is removed from the camera head, do not discard.

- **When cleaning the camera.**

Unplug the power source before cleaning. Clean with a soft dry cloth only. Do not use chemicals or chemically treated cloths. Chemicals may damage coatings and printed letters. When cleaning the lens, use lens cleaning paper.

- **Installation without a tripod.**

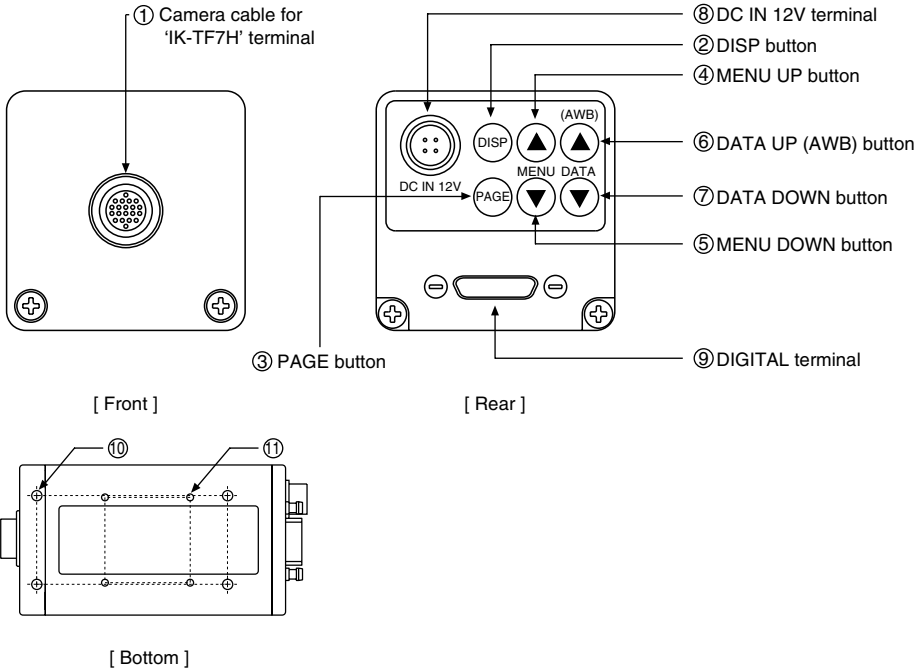
Before installing the camera head and the camera control unit, make sure that the location can withstand the total weight of the camera head and the camera control unit.

If this is not the case, reinforce the area to prevent the unit from dropping, which may result in damage to the unit or personal injury.

2. COMPONENTS

(1) Camera Control Unit	1
(2) Accessories	
(a) Instruction manual	1

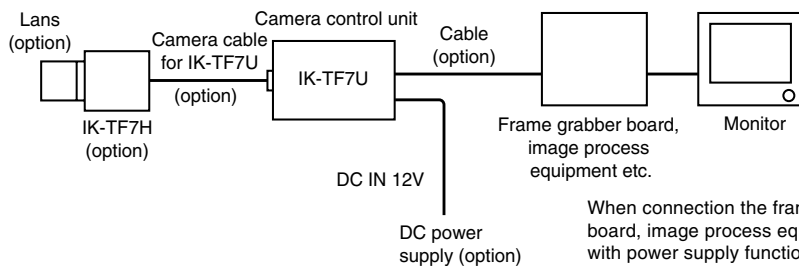
3. NAMES AND FUNCTIONS



- | | |
|---------------------------------------|--|
| ① Camera cable for 'IK-TF7H' terminal | Where the camera cable for 'IK-TF7H' is connected. |
| ② DISP button | To change the display mode. |
| ③ PAGE button | To switch and select menus. |
| ④ MENU UP button | To select the function to be confirmed or changed on the menu. |
| ⑤ MENU DOWN button | To select the function to be confirmed or changed on the menu. |
| ⑥ DATA UP (AWB) button | To change the value of the function selected by the MENU (UP/DOWN) button. (Also used when using AWB.) |
| ⑦ DATA DOWN (ABB) button | To change the value of the function selected by the MENU (UP/DOWN) button. (Also used when using ABB) |
| ⑧ DC IN 12V terminal | Accept a DC power input (12V). |
| ⑨ DIGITAL terminal | 8-bit RGB, digital signal, and sync signal are output in the Camera Link format.
Trigger signal is input.
Mode switching signal for partial scanning is input.
Accepts serial communication control signal. |
| ⑩ Mounting holes M3 | Used to fix the camera. |
| ⑪ Mounting holes M2 | Used to fix the camera. |

4. CONNECTION

4.1 Standard Connection



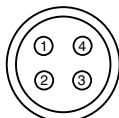
4.2 Cautions on Connection

- Only use optional camera head model # IK-TF7H with this camera controller. The use of another head may cause damage to the control unit and camera head.
- When connecting the camera cables, be sure to turn off the camera control unit and any other equipment connected to it.
- For DC power supply connecting to DC IN 12V terminal, use UL listed and/or CSA approved ungrounded type AC adaptor with the specifications described below.
 - Power supply voltage : 12V DC±10%
 - Current rating : More than 830mA
 - Ripple voltage : Less than 50mV(p-p)
- To connect DC IN 12V terminal, use the following connector listed below.
 - Connector : HR10A-7P-4S by HIROSE electronics Co., Ltd
Pins 1, 2 : 12V , Pins 3, 4 : GND
- If the securing screw on the connector of the camera cable loosens, noise may appear on the screen. Be sure to tighten the connector completely.
- Use the standard cable for Camera Link.
- Input DC power (12V) either DC IN 12V terminal or DIGITAL terminal. If DC power is supplied input from both terminals, it may cause trouble.
- More than 830mA is necessary for proper functioning of the unit. Use power line with sufficient quantities of current rating. The unit dose not support PoCL standard.

4.3 Connector Pin Assignments

DC IN 12V

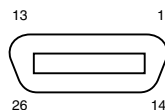
1	+12V
2	+12V
3	GND
4	GND



Connector used:
HR10A-7R-4PB
(HIROSE electronics
Co. Ltd) or equivalent.

DIGITAL

DIGITAL		Function		I/O
13	GND	14	GND	-
2	X0-	15	X0+	O
3	X1-	16	X1+	O
4	X2-	17	X2+	O
5	Xclk-	18	Xclk+	O
6	X3-	19	X3+	O
7	SerTC+	20	SerTC-	Serial communication control (RXD) I
8	SerTFC-	21	SerTFC+	Serial communication control (TXD) O
9	CC1-	22	CC1+	Trigger pulse input I
10	CC2+	23	CC2-	Partial scanning control I
11	CC3-	24	CC3+	External HD input I
12	CC4+	25	CC4-	External VD input I
1	+12V	26	+12V	-



Connector used:
12226-51000-00
(3M) or equivalent.

5. OPERATION

A camera head "IK-TF7H" is supposed to be connected to this camera control unit from this section.

- ① Refer to the item " 4. CONNECTION", connect each equipment correctly.
- ② Turn on the connected equipment and the power source of the camera.
- ③ When using the camera for the first time and when replacing the camera cable and the camera head, be sure to operate the ABB adjustment refer to the item "Automatic Black Balance".
- ④ Aim the lens at the object, adjust the lens iris adjustment, focus adjustment, etc..
- ⑤ Refer to the item "5.1 White Balance", make the adjustment.
- ⑥ Refer to the items "7. MODE SETTING BY ON SCREEN DISPLAY", select the necessary items.

5.1 Automatic Black Balance

Black balance adjustment is necessary to get the correct black picture level.

- Close the lens iris and put the lens cover on.
- If the index menu/menu is displayed, press the [DISP] button to disable or the character display.
- Hold the [DATA DOWN] button for approx. 1 second.
- When the black balance adjustment operation starts, the character ABB blinks on the screen.
- When the black balance adjustment operation finishes, the character ABB stops blinking and the result appears for approx. 1 second.
- When the black balance adjustment performed, set the electronic shutter, Synchro. Scan, partial read to OFF, and do not operate trigger mode or external sync.
- When using the camera for the first time and when replacing the camera cable and the camera head, be sure to operate the ABB adjustment refer to the item "Automatic Black Balance".

Display	Meaning
ABB OK	Automatic black balance adjustment finished correctly.
ABB NG CLOSE LENS	Automatic black balance adjustment cannot be performed because the lens iris is open. Close the lens iris.
ABB NG	Automatic black balance adjustment cannot be performed. Operate the automatic black balance again.

5.2 White Balance

For the white balance adjustment of this unit, AWB (Automatic White Balance) and MANU (Manual white balance) adjustments are provided. To select the desired mode, refer to the items "7.2 (3) WHT BAL (White balance)" and "7. MODE SETTING BY ON SCREEN DISPLAY".

	AWB (Automatic White Balance)	MANU (Manual White Balance)
Outline	Adjust white balance by displaying the white object inside the area set by AWB menu and pressing the [DATA UP] button.	Adjust the white balance manually using the WHT BAL menu while shooting the white object.
Note	When the shutter mode is E.TRG, AWB is not available.	Adjustment is performed by confirming with a monitor etc.

① AWB (Automatic white balance)

- Set the MODE to AWB on the WHT BAL menu.
Perform the C.TEMP (color temperature conversion) setting, if necessary.
(Refer to the item "7.2 (3) WHT BAL (White balance)".)
- 3200K : Appropriate for indoor shooting.
- 5600K : Appropriate for outdoor shooting.
- If the index menu/menu is displayed, press the [DISP] button to disable the character display on the menu.
- Shoot a known white object that fills the screen and push [DATA UP] button for approx. 1 second.
- The character AWB blinks on the screen when the AWB starts.
- The character AWB stops blinking when the AWB finishes, and the result is displayed for approx. 1 second.

Result displayed	Meaning
AWB OK	Automatic white balance adjustment finished correctly.
AWB NG LEVEL LOW	Automatic white balance adjustment cannot be performed because the video level is too low. Obtain the proper video level.
AWB NG LEVEL HIGH	Automatic white balance adjustment cannot be performed because the video level is too high. Obtain the proper video level.
AWB NG C. TEMP LOW	Automatic white balance adjustment cannot be performed because the color temperature is too low. If the C.TEMP is set to 5600K, set to 3200K. If the message appears with the C.TEMP set to 3200K, change the illumination or use a color temperature conversion filter.
AWB NG C. TEMP HIGH	Automatic white balance adjustment cannot be performed because the color temperature is too high. If the C.TEMP is set to 3200K, set to 5600K. If the message appears with the C.TEMP set to 5600K, change the illumination or use the color temperature conversion filter.
AWB NG NOT AVAILABLE	Automatic white balance adjustment cannot be performed because the shutter speed mode is E.TRG mode.
AWB NG	Automatic white balance adjustment cannot be performed for other reasons. Such as no white area is included in an object, etc.

② MANU (Manual white balance)

- Set the MODE to MANU on the WHT BAL menu.
(Refer to the item "7.2 (3) WHT BAL (white balance)".)
- Shoot a known white object, adjust the white balance adjusting the levels of R GAIN and B GAIN on the menu, confirming with a monitor etc.
(Refer to the item "7.2 (3) (3.2) Changing each setting in MANU (Manual) mode".)

5.3 Gain

When the image is dark even if the lens iris is open, change the gain (video gain) to get the proper video level. For the gain adjustment of the unit, MANU (Manual) and OFF (0 dB) modes are provided. Select the mode on the GAIN menu. (Refer to the item "7.2 (2) GAIN (Video gain)".)

① MANU (Manual gain)

Gain adjustment is performed on the GAIN menu. The adjustment range is from 0dB to 18dB in 1dB steps. (Refer to the item "7.2 (2) (2.1) (a) Changing the gain in MANU mode".)

② OFF

Gain is fixed at 0 dB.

5.4 Shading Correction

Due to the lens used or the environmental condition, vertical color shading may occur at the top and bottom of the screen. In this case, the shading correction can decrease the color shading. For the shading correction of the unit, MANU (Manual shading correction) and OFF (no shading correction) modes are provided. Select the mode on the PROCESS menu. (Refer to the item "7.2 (4) (4.5) Changing the shading correction mode".)

① MANU (Manual Shading)

Adjust the correction amount on the PROCESS menu by confirming with a monitor or a waveform monitor. (Refer to the "7.2 (4) (4.6) Changing the manual shading correction setting".)

② OFF

The status is no shading correction.

*** The shading correction is effective when the lens iris or zoom ratio is fixed. Use the unit with SHAD. OFF for variable lens conditions.**

6. ITEMS CONTROLLED BY THE SCREEN DISPLAY

Item		Available selections	Preset value (Factory setting)	
Electronic shutter	MODE	MANU, SS, E. TRG	MANU	
	E. TRG	1P SNR, 1P SR, PW SNR, PW SR, RR	1P SNR	
	MANU speed	OFF, 1/100s, 1/250s, 1/500s, 1/1000s, 1/2000s, 1/4000s, 1/10000s, 1/25000s, 1/50000s, 1/100000s	OFF	
	Syncro. scan.	Partial read OFF	1H/796H~795H/796H, OFF, 2FRM~512FRM	OFF
		Partial read 40fps	1H/580H~579H/580H, OFF, 2FRM~512FRM	
		Partial read 50fps	1H/465H~464H/465H, OFF, 2FRM~512FRM	
		Partial read 60fps	1H/387H~386H/387H, OFF, 2FRM~512FRM	
		Partial read 70fps	1H/332H~331H/332H, OFF, 2FRM~512FRM	
		Partial read 80fps	1H/290H~289H/290H, OFF, 2FRM~512FRM	
	Partial read 90fps	1H/258H~257H/258H, OFF, 2FRM~512FRM		
	Partial read	OFF, 40fps, 50fps, 60fps, 70fps, 80fps, 90fps, E40fps, E50fps, E60fps, E70fps, E80fps, E90fps	OFF	
	Trigger (1P SNR/SR)	┘, ┘	┘	
	Trigger (PW SNR/SR)	┘, ┘	┘	
1P exposure time	0.01ms~30ms	30 ms		
Gain	MODE	MANU, OFF	OFF	
	MANU	0dB~18dB	0dB	
White balance	MODE	AWB, MANU	AWB	
	Color temperature	3200K, 5600K	3200K	
	MANUAL R GAIN	-100~0~100	0	
	MANUAL B GAIN	-100~0~100	0	
Process	GAMMA	ON, OFF	OFF	
	Master pedestal	-64~0~64	0	
	R pedestal	-64~0~64	0	
	B pedestal	-64~0~64	0	
	Shading correction mode	MANU, OFF	MANU	
	Manual shading correction	-128~0~127	0	
Sync	H phase adjustment	-100~0~100	0	
Option	Baud rate	9600 bps, 19200 bps	9600 bps	

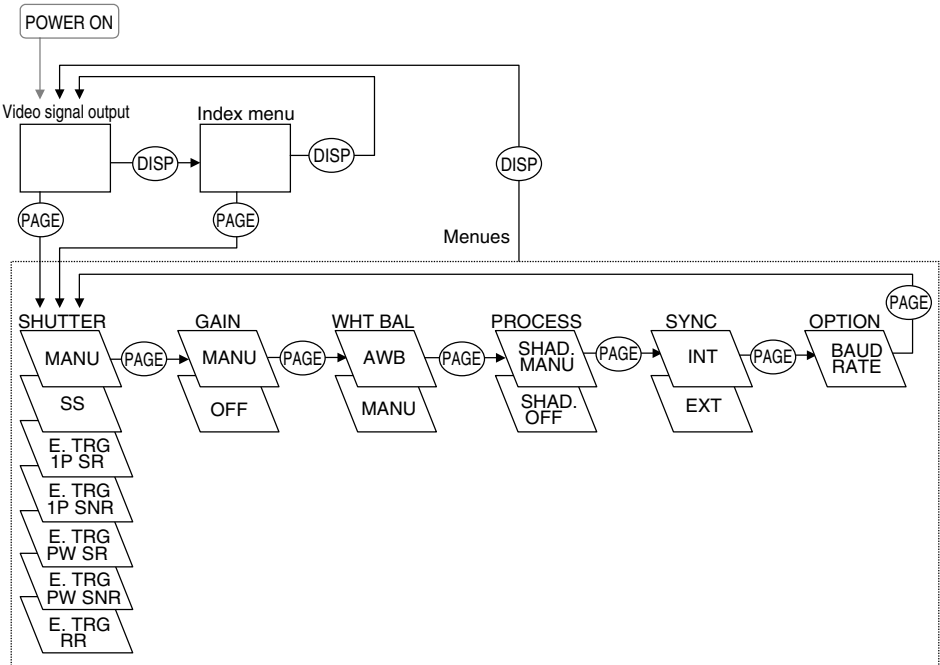
7. MODE SETTING BY THE SCREEN DISPLAY

Various settings can be controlled on the unit by using the on screen menu displayed on the monitor. The contents once set are memorized even if the power source is turned off, so it is unnecessary to set again when using the unit next time. When the setting is performed, select the menu of the item to be set.

7.1 Using the Menus

When the power is turned on, the normal screen showing only the video signal appears. Change the output to each screen (video signal output, Index menu, and menus) by using the [DISP], [PAGE], [MENU UP], and [MENU DOWN] buttons.

* A menu is selected when pushing the [PAGE] button after moving the "→" on the screen by the [MENU UP], [MENU DOWN] button while the Index menu is displayed.



7.2 Menus

- Select the menu to change the setting by referring to the item "7.1 Using the Menus".)
- When the [MENU UP], [MENU DOWN] buttons are pushed, the "→" on the screen moves up and down. Move the "→" to the item whose setting you wish to change.

Note:

When performing the mode setting in the menu display while selecting ON in "PART" (Partial Read: refer to page 30) and E.TRG in "MODE", the screen display and camera operation switch to normal mode. After close the MENU, they return to previous mode.

(1) SHUTTER (Electronic shutter)

The electronic shutter has three modes; MANU (Manual), SS (Synchro. Scan), E.TRG (External trigger).

Move the "→" to "MODE" and push [DATA UP], [DATA DOWN] button to select the desired mode among "MANU", "SS", "E.TRG".

MANUAL : It is possible to select the exposure time from eleven speed setting; OFF, 1/100s, 1/250s, 1/500s, 1/1000s, 1/2000s, 1/4000s, 1/10000s, 1/25000s, 1/50000s, 1/100000s.

Note:

When setting a rapid shutter speed, sensitivity degrades according to the speed. When a discharging light such as fluorescent lamp, etc. is used for the illumination, the flicker may be large.

SS : Shutter speed can be set by the horizontal scanning time (1H) unit or by the frame unit.

E.TRG : Exposure is performed and images are output by external trigger. E.TRG includes the five modes described below. (For details of specifications, refer to the item "7.4 E.TRG (External trigger)".)

- 1P SNR (1 Pulse Sync Non Reset)

The charge begins to accumulate after the trigger pulse is received, and 1 frame images are output according to the internal vertical sync signal timing. The exposure/accumulation time can be set from 0.01 to 30 ms. The trigger signal timing can be set to either the rising or falling edge.

- 1P SR (1 Pulse Sync Reset)

The charge begins to accumulate after the trigger pulse is received. Upon completion of accumulation the vertical sync signal is reset and 1 frame images are output. The exposure/accumulation time can be set from 0.01 to 30 ms. The trigger signal timing can be set to either the rising or falling edge.

- PW SNR (Pulse width trigger Sync Non Reset)

The charge begins to accumulate after the trigger pulse is received, and 1 frame images are output according to the internal vertical sync signal timing. This is the mode to set the exposure period by the pulse width of the trigger. The trigger signal polarity can be set to either the positive or negative polarity.

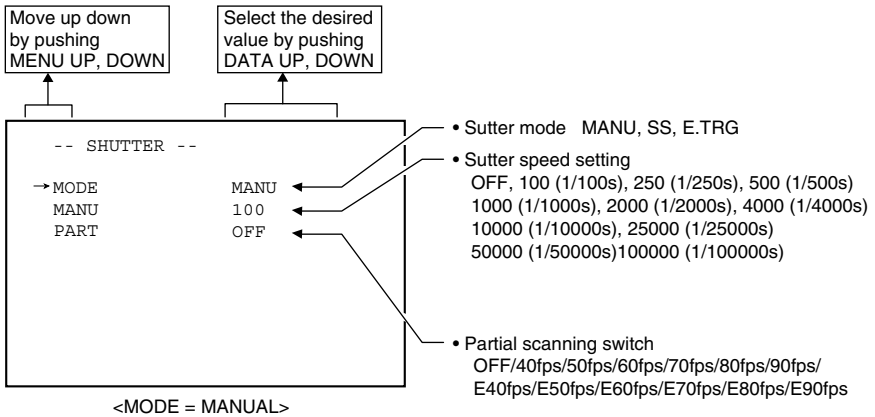
- PW SR (Pulse width trigger Sync Reset)

The charge begins to accumulate after the trigger pulse is received. Upon completion of accumulation the vertical sync signal is reset and 1 frame images are output. This is the mode to set the exposure period by the pulse width of the trigger. The trigger signal polarity can be set to either the positive or negative polarity.

- RR (Reset restart)

Input of an external reset-restart signal permits one screen of information to be output at an arbitrary timing.

(1. 1) Changing the setting in MANU mode



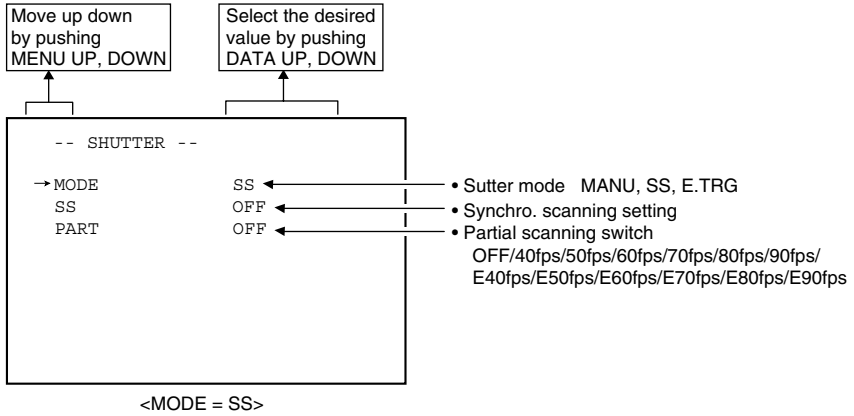
(a) Changing the shutter speed

- ① Move the "→" to MANU by pushing [MENU UP], [MENU DOWN] buttons.
- ② Select the shutter speed by pushing [DATA UP], [DATA DOWN] buttons.

(b) Partial scanning setting

- ① Move the "→" to PART by pushing [MENU UP], [MENU DOWN] buttons.
- ② Select the mode by pushing [DATA UP], [DATA DOWN] buttons.

(1.2) Changing the setting in SS (synchro. scan) mode



(a) Changing the shutter speed setting

- ① Move the "→" to SS by pushing [MENU UP], [MENU DOWN] buttons.
- ② Select the shutter speed by pushing [DATA UP], [DATA DOWN] buttons.

(b) Partial scanning setting

- ① Move the "→" to PART by pushing [MENU UP], [MENU DOWN] buttons.
- ② Select the mode by pushing [DATA UP], [DATA DOWN] buttons.

Note:

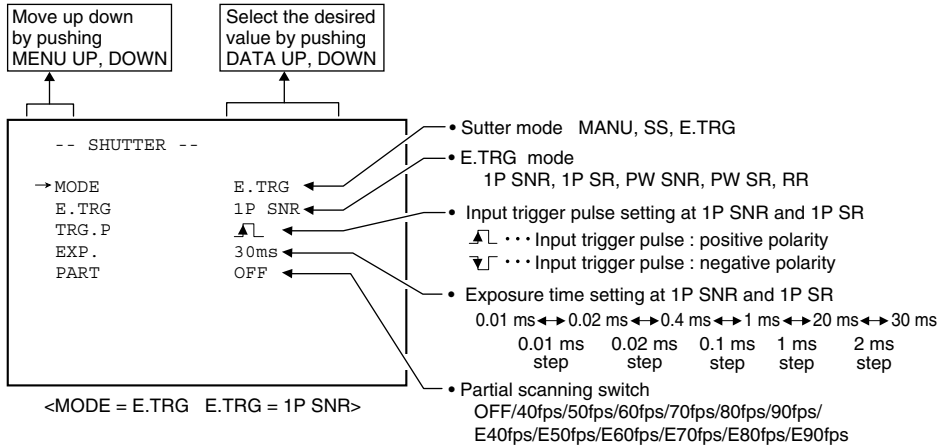
The slow shutter speed may increase the fixed pattern noise and/or the white pixels. This is a characteristic of CCD, and is not a symptom of malfunction.

(1. 3) Changing the setting in E.TRG mode

The E.TRG has five modes; 1P SNR, 1P SR, PW SNR, PW SR, RR.

First move the "→" to MODE and select E. TRG, then move the "→" to E.TRG and select the desired E.TRG mode.

(1. 3. 1) Changing the setting in 1P SNR mode



(a) Changing the polarity of inputting trigger pulse setting

- ① Move the "→" to TRG.P by pushing [MENU UP], [MENU DOWN] buttons.
- ② Select either or by pushing [DATA UP], [DATA DOWN] buttons.

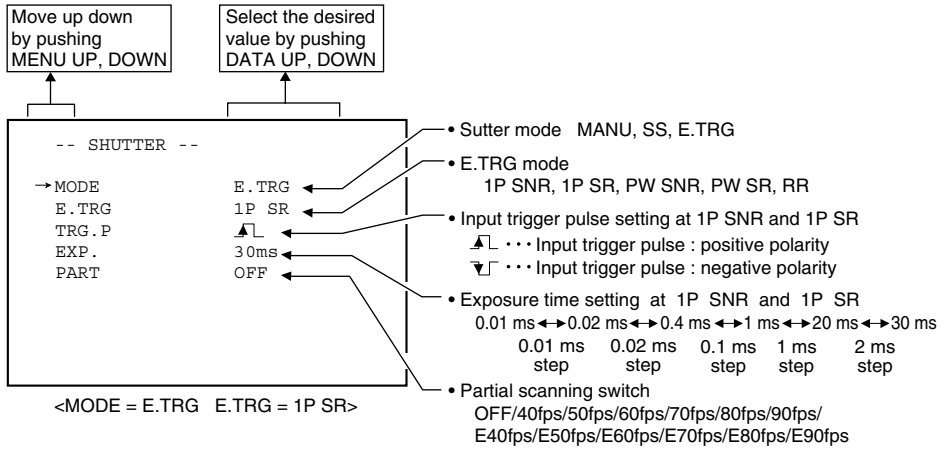
(b) Changing 1P SNR exposure time setting

- ① Move the "→" to EXP. by pushing [MENU UP], [MENU DOWN] buttons.
- ② Select the exposure time by pushing [DATA UP], [DATA DOWN] buttons.

(c) Changing the partial scanning setting

- ① Move the "→" to PART by pushing [MENU UP], [MENU DOWN] buttons.
- ② Select the mode by pushing [DATA UP], [DATA DOWN] buttons.

(1. 3. 2) Changing the setting in 1P SR mode



(a) Changing the polarity of inputting trigger pulse setting

- ① Move the "→" to TRG.P by pushing [MENU UP], [MENU DOWN] buttons.
- ② Select either ▲, ▼ by pushing [DATA UP], [DATA DOWN] buttons.

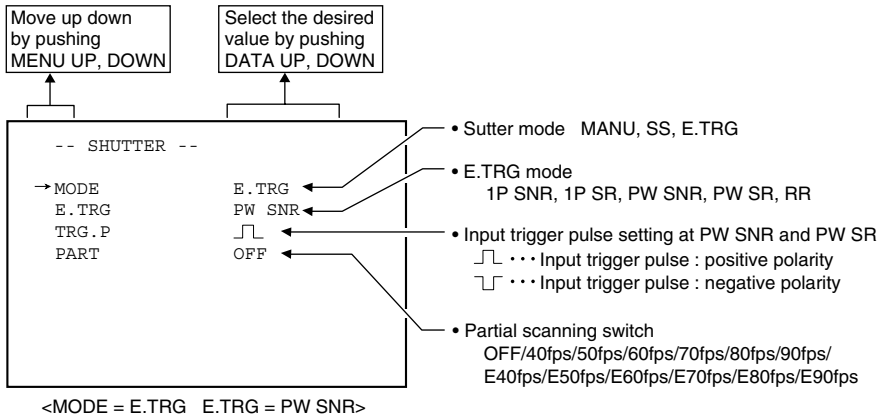
(b) Changing 1P SR exposure time setting

- ① Move the "→" to EXP. by pushing [MENU UP], [MENU DOWN] buttons.
- ② Select the exposure time by pushing [DATA UP], [DATA DOWN] buttons.

(c) Changing the partial scanning setting

- ① Move the "→" to PART by pushing [MENU UP], [MENU DOWN] buttons.
- ② Select the mode by pushing [DATA UP], [DATA DOWN] buttons.

(1. 3. 3) Changing the setting in PW SNR mode



(a) Changing the polarity of inputting trigger pulse setting

- ① Move the "→" to TRG.P by pushing [MENU UP], [MENU DOWN] buttons.
- ② Select either □ □, □ □ by pushing [DATA UP], [DATA DOWN] buttons.

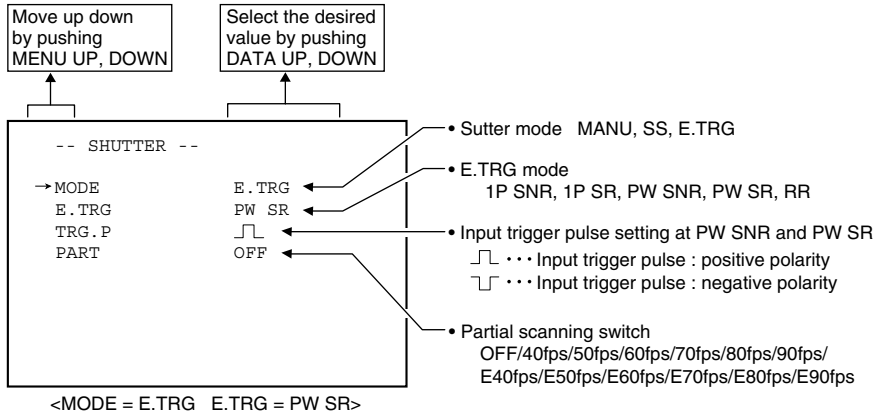
(b) Changing the partial scanning setting

- ① Move the "→" to PART by pushing [MENU UP], [MENU DOWN] buttons.
- ② Select the mode by pushing [DATA UP], [DATA DOWN] buttons.

Note:

The longer the storage time with extended exposures, the more visible certain characteristics of CCD cameras become: fixed pattern noise, white pixels, etc.

(1. 3. 4) Changing the setting in PW SR mode



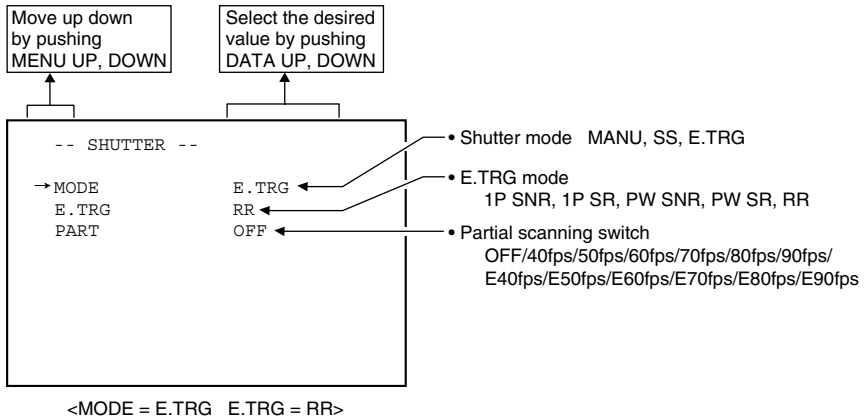
(a) Changing the polarity of inputting trigger pulse setting

- ① Move the "→" to TRG.P by pushing [MENU UP], [MENU DOWN] buttons.
- ② Select either □, ▾ by pushing [DATA UP], [DATA DOWN] buttons.

Note:

The longer the storage time with extended exposures, the more visible certain characteristics of CCD cameras become: fixed pattern noise, white pixels, etc.

(1. 3. 5) Changing the setting in RR mode



(a) Changing the partial scanning setting

- ① Move the "→" to PART by pushing [MENU UP], [MENU DOWN] buttons.
- ② Select the mode by pushing [DATA UP], [DATA DOWN] buttons.

Note:

The longer the storage time with extended exposures, the more visible certain characteristics of CCD cameras become: fixed pattern noise, white pixels, etc.

(2) GAIN (Video gain)

When the image is dark even if the lens iris is open, change the gain (video gain) to get the proper video level. For the gain adjustment of the unit, MANU (Manual) and OFF (0dB) modes are provided.

① MANU (Manual gain)

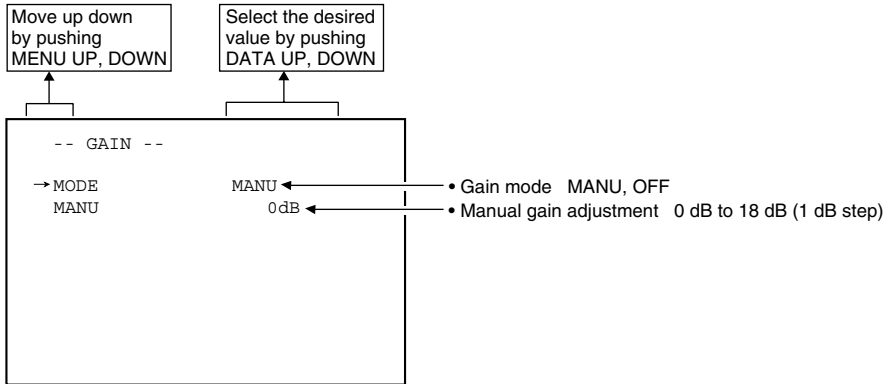
Gain adjustment is performed on the GAIN menu. The adjustment range is from 0dB to 18dB in 1dB steps.

② OFF

Gain is fixed at 0dB.

Move the "→" to MODE, push the [DATA UP], [DATA DOWN], and select one of the two modes between MANU and OFF.

(2. 1) Changing the setting in GAIN



(a) Changing the gain in MANU mode

① Move the "→" to MANU by pushing [MENU UP], [MENU DOWN] buttons.

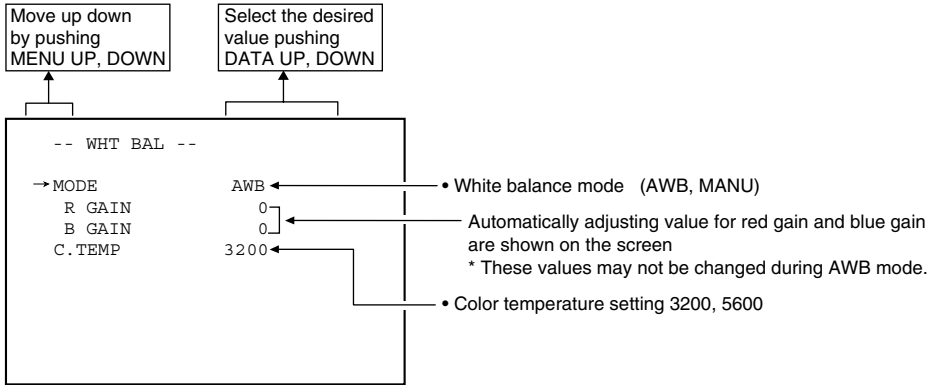
② Adjust the manual gain by pushing [DATA UP], [DATA DOWN] buttons.

(3) WHT BAL (White balance)

WHT BAL has two modes; AWB, MANU.

Move the "→" to MODE, push the [DATA UP], [DATA DOWN], and select one of the two modes between AWB and MANU.

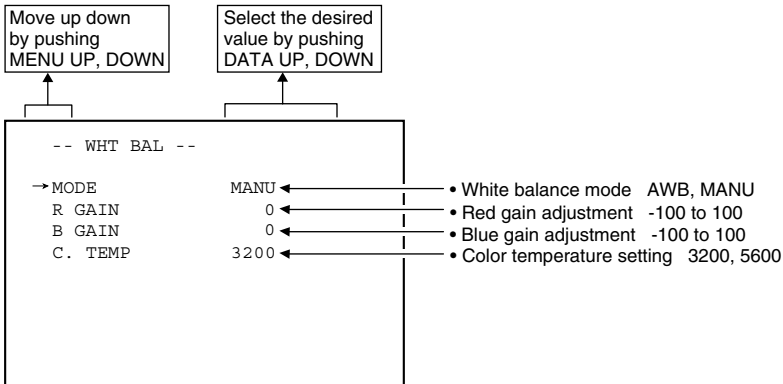
(3. 1) Changing the setting in AWB (Automatic White Balance) mode



(a) Changing color temperature setting

- ① Move the "→" to C.TEMP by pushing [MENU UP], [MENU DOWN] buttons.
- ② Select either 3200 or 5600 by pushing [DATA UP], [DATA DOWN] buttons.

(3. 2) Changing the setting in MANU (Manual) mode



(a) Changing the red gain

- ① Move the "→" to R GAIN by pushing [MENU UP], [MENU DOWN] buttons.
- ② Adjust the red gain by pushing [DATA UP], [DATA DOWN] buttons.

(b) Changing the blue gain

- ① Move the "→" to B GAIN by pushing [MENU UP], [MENU DOWN] buttons.
- ② Adjust the blue gain by pushing [DATA UP], [DATA DOWN] buttons.

(4) PROCESS

- Gamma Correction (GAMMA)
Select either OFF or ON of Gamma Correction.
- Master Pedestal (M. PED)
Adjust the Pedestal level of each RGB.
- R Pedestal (R. PED)
Adjust the Pedestal level of Red.
- B Pedestal (B. PED)
Adjust the Pedestal level of Blue.
- Shading Correction (SHAD.)
Due to the lens used or the environmental condition, vertical color shading may occur at the top and bottom of the screen. In this case, the shading correction can decrease the color shading. For the shading correction of the unit, MANU (Manual shading correction) and OFF (no shading correction) modes are provided.

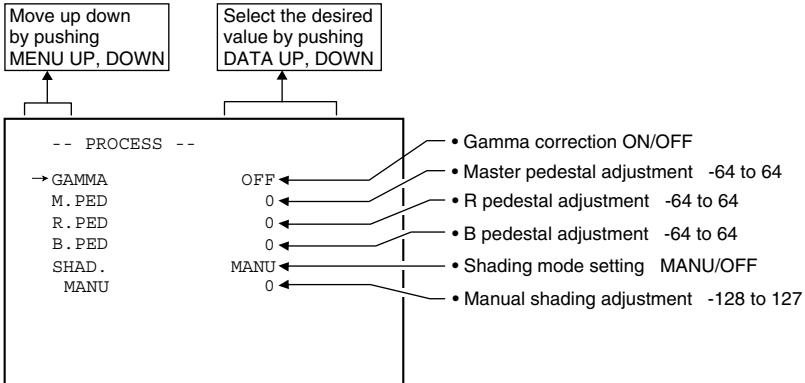
① MANU (Manual Shading)

Adjust the correction amount on the PROCESS menu by confirming with a monitor or a waveform monitor.

② OFF

The status is no shading correction.

*** The shading correction is effective when the lens iris and zoom ratio is fixed. Use the unit with SHAD. OFF for variable lens conditions.**



(4.1) Changing gamma correction

- ① Move the "→" to GAMMA by pushing [MENU UP], [MENU DOWN] buttons.
- ② Select the gamma correction by pushing [DATA UP], [DATA DOWN] buttons.

(4.2) Changing master pedestal

- ① Move the "→" to M. PED by pushing [MENU UP], [MENU DOWN] buttons.
- ② Adjust the master pedestal by pushing [DATA UP], [DATA DOWN] buttons.

(4.3) Changing R pedestal

- ① Move the "→" to R. PED by pushing [MENU UP], [MENU DOWN] buttons.
- ② Adjust the R pedestal by pushing [DATA UP], [DATA DOWN] buttons.

(4.4) Changing B pedestal

- ① Move the "→" to B. PED by pushing [MENU UP], [MENU DOWN] buttons.
- ② Adjust the B pedestal by pushing [DATA UP], [DATA DOWN] buttons.

(4. 5) Changing the shading correction mode

- ① Move the "→" to SHAD. by pushing [MENU UP], [MENU DOWN] buttons.
- ② Select the SHAD. by pushing [DATA UP], [DATA DOWN] buttons.

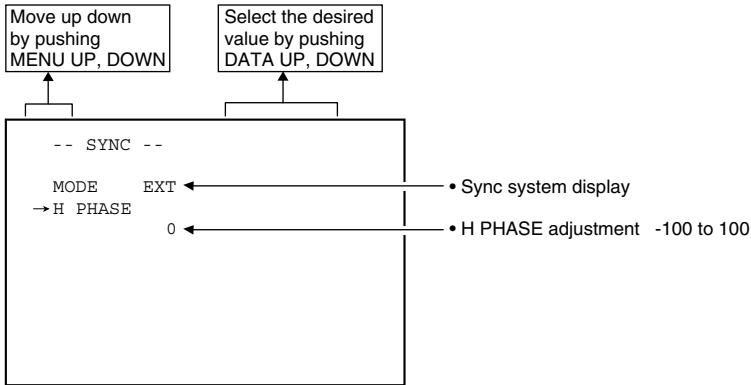
Note: The alignment value for shading is fixed to "0" when selecting SHAD. OFF. MANU is not displayed in the menu.

(4. 6) Changing the manual shading correction setting

- ① Move the "→" to MANU by pushing [MENU UP], [MENU DOWN] buttons.
- ② Adjust the MANUAL SHADING by pushing [DATA UP], [DATA DOWN] buttons.

(5) SYNC

When an external sync signal is input, the display menu changes from INT (internal sync) to EXT (external sync) automatically.



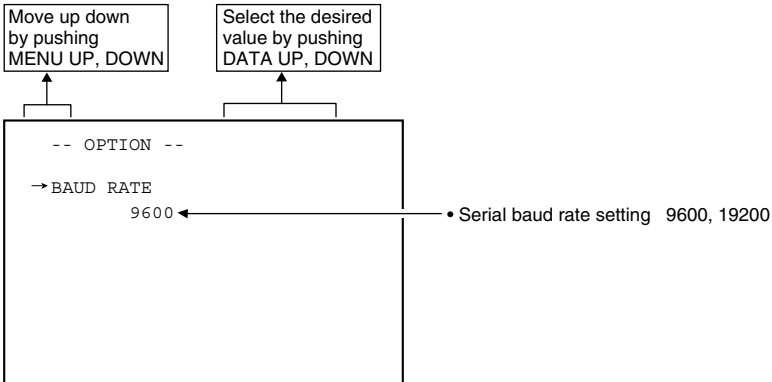
(5. 1) Adjusting horizontal phase

- ① Move the "→" to H PHASE by pushing [MENU UP], [MENU DOWN] buttons.
- ② Adjust the horizontal phase by pushing [DATA UP], [DATA DOWN] buttons.

(6) OPTION

(6. 1) Changing serial communication baud rate

- ① Move the "→" to BAUD RATE by pushing [MENU UP], [MENU DOWN] buttons.
- ② Select either 9600 or 19200 by pushing [DATA UP], [DATA DOWN] buttons.



(7) Returning to factory settings

All the settings can be returned to the factory default status (preset status).

- (1) If characters are displayed on the screen, press the [DISP] button to disable the character display.
- (2) Push [MENU DOWN] and [DATA DOWN] buttons simultaneously for approx. 1 second.
- (3) The preset operation starts. When the preset operation finishes, the character PRESET OK is displayed for approx. 1 second.

7.3 Synchro. Scan Operation

The shutter speed can be set by the horizontal scanning period (1H) or by the frame.

(1) Setting by 1H

1H/796H ~ 795H/796H stands for the setting by the 1H and the shutter speed can be set by the 1H (43.05 μ s).

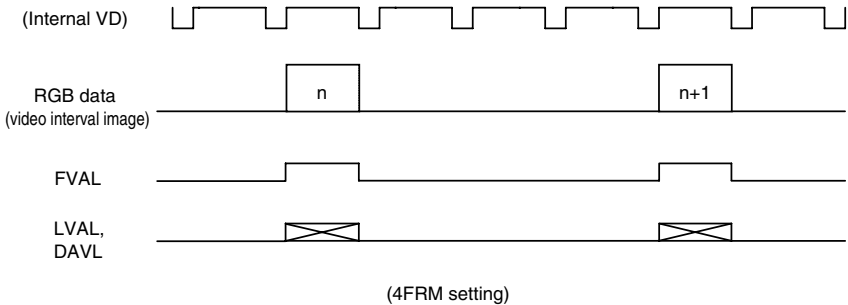
When operating Partial Scanning, the number's listed below can be used for setting.

Partial scanning OFF	1H/796H ~ 795H/796H
40fps, E40fps	1H/580H ~ 579H/580H
50fps, E50fps	1H/465H ~ 464H/465H
60fps, E60fps	1H/387H ~ 386H/387H
70fps, E70fps	1H/332H ~ 331H/332H
80fps, E80fps	1H/290H ~ 289H/290H
90fps, E90fps	1H/258H ~ 257H/258H

(2) Setting by the frame

2FRM to 512FRM stand for the setting (long period exposure) by the frame.

The video signal stored during the frame period set is output as 1 frame video image at a frame interval specified.



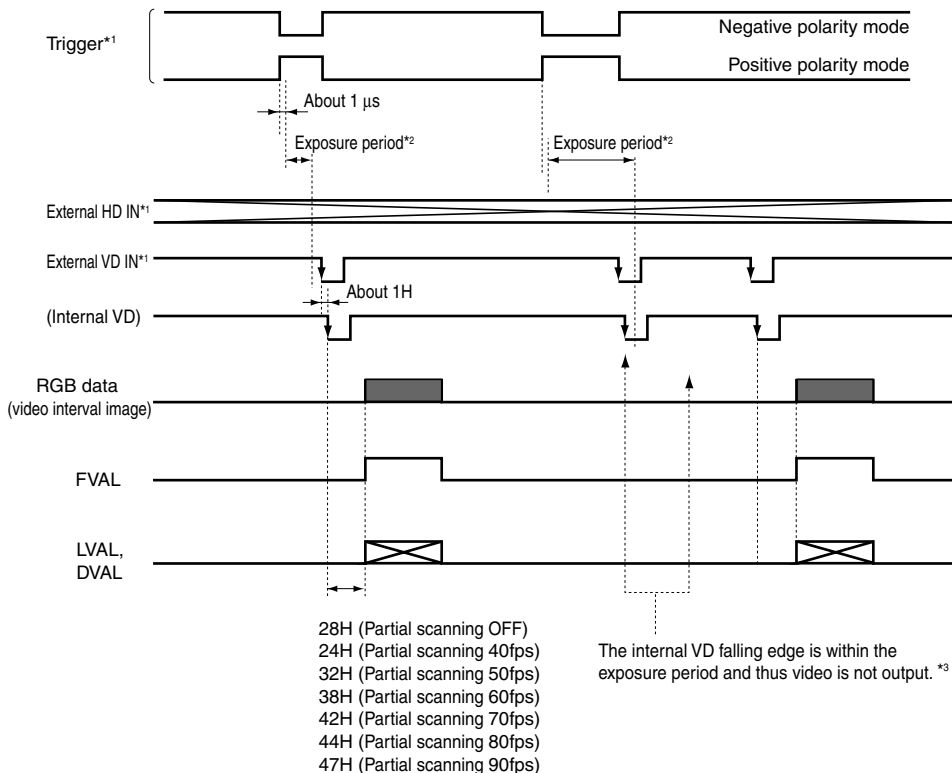
7.4 E. TRG (External trigger)

Charge begins to accumulate after the trigger input to CC1 of the DIGITAL terminal, and 1 frame images are output. There are four modes: 1P SNR, 1P SR, PW SNR, PW SR.

(1) 1P SNR (1 Pulse Trigger Sync Non Reset)

Charge begins to accumulate after the trigger input to CC1 of the DIGITAL terminal, and 1 frame images are output.

(1.1) 1 Pulse Trigger SYNC-NON RESET Picture Output Timing



*1: Externally input signal

*2: Exposure time is determined by the setting of "7.2 (1.3) Changing each setting in E.TRG mode".

*3: Video is output at the falling edge of the internal VD following completion of the exposure period.

The video and FVAL/LVAL/DVAL have a paired relationship.

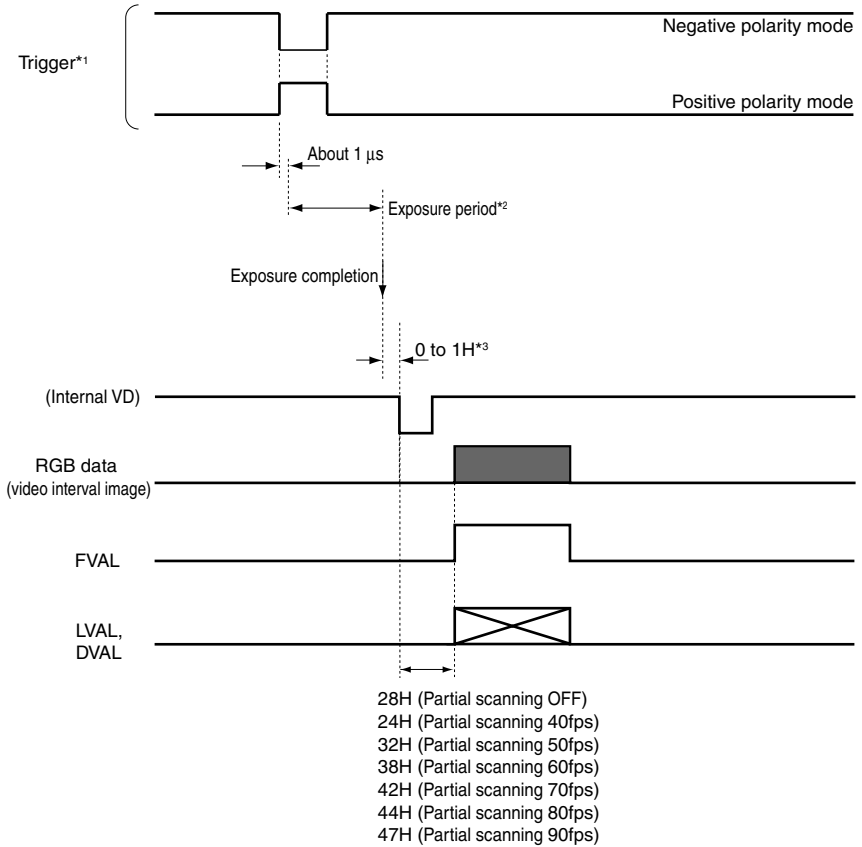
Note:

When the next trigger is input before completion of the output of the video corresponding to the trigger, there will be an effect on the video.

(2) 1P SR (1 Pulse Trigger Sync Reset)

Charge begins to accumulate after the trigger input to CC1 of the DIGITAL terminal, the vertical sync signal is reset and frame images are output.

(2. 1) 1 Pulse Trigger SYNC-RESET Picture Output Timing



*1: Externally input signal

*2: Exposure time is determined by the setting of "7. 2 (1.3) Changing each setting in E.TRG mode".

*3: VD is generated after 0 to 1H following the completion of the exposure period and the video is synchronized to this and output.

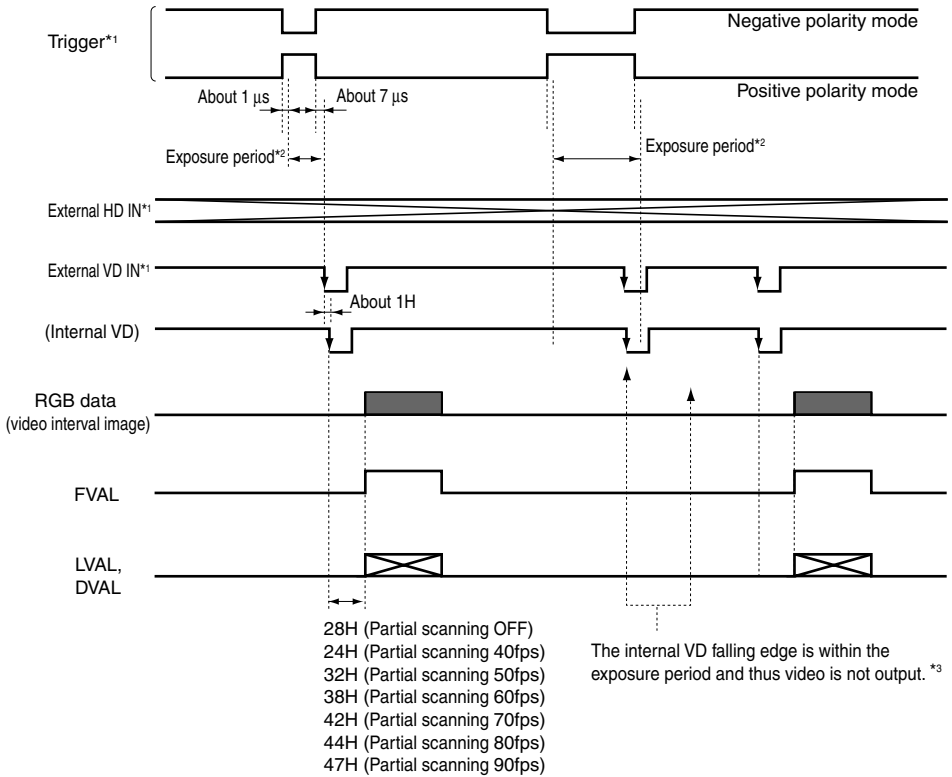
Note:

When the next trigger is input before completion of the output of the video corresponding to the trigger, there will be an effect on the video.

(3) PW SNR (Pulse width trigger SYNC-NON RESET)

The trigger input to CC1 of the DIGITAL terminal develops 1 frame images.

(3. 1) Pulse Width Trigger SYNC-NON RESET Picture Output Timing



*1: Externally input signal

*2: Exposure time = Trigger pulse width + 6 μ s

(Valid trigger pulse width is 2 μ s or greater for external trigger shutter operation.)

*3: Video is output at the falling edge of the internal VD following completion of the exposure period.

The video and FVAL/LVAL/DVAL have a paired relationship.

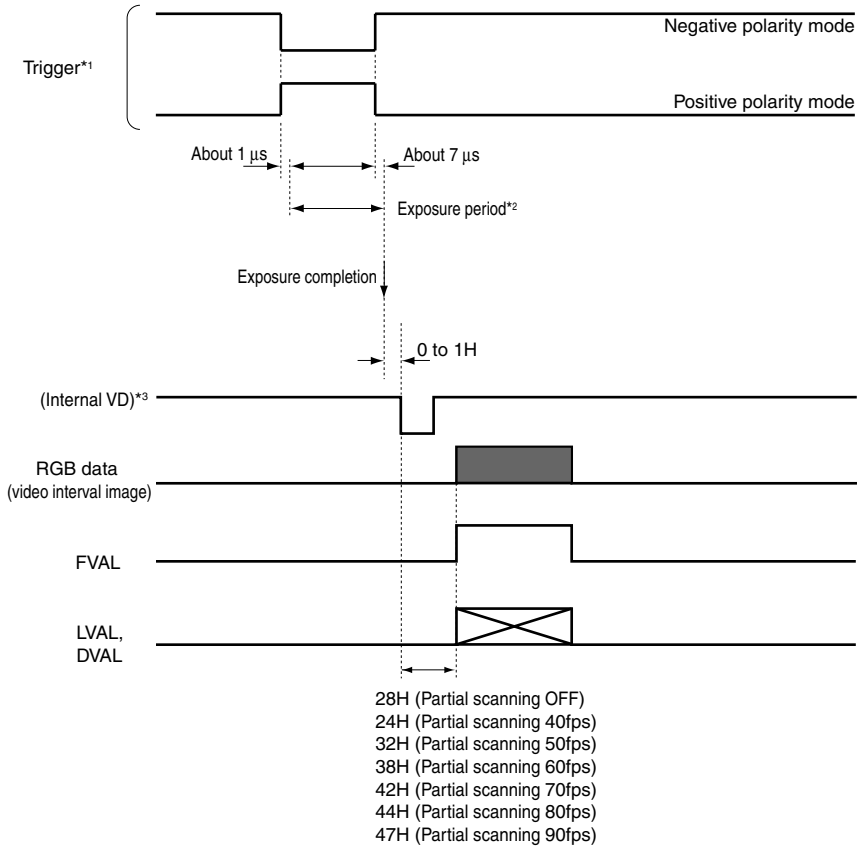
Note:

When the next trigger is input before completion of the output of the video corresponding to the trigger, there will be an effect on the video.

(4) PW SR (Pulse width trigger SYNC-RESET)

The trigger input to the CC1 of the DIGITAL terminal develops 1 frame images.

(4. 1) 1 Pulse Width Trigger SYNC-RESET Picture Output Timing



*1: Externally input signal

*2: Exposure time = Trigger pulse width + 6 μs

(Valid trigger pulse width is 2 μs or greater for external trigger shutter operation.)

*3: VD is generated after 0 to 1H following the completion of the exposure period and the video is synchronized to this and output.

Note:

When the next trigger is input before completion of the output of the video corresponding to the trigger, there will be an effect on the video.

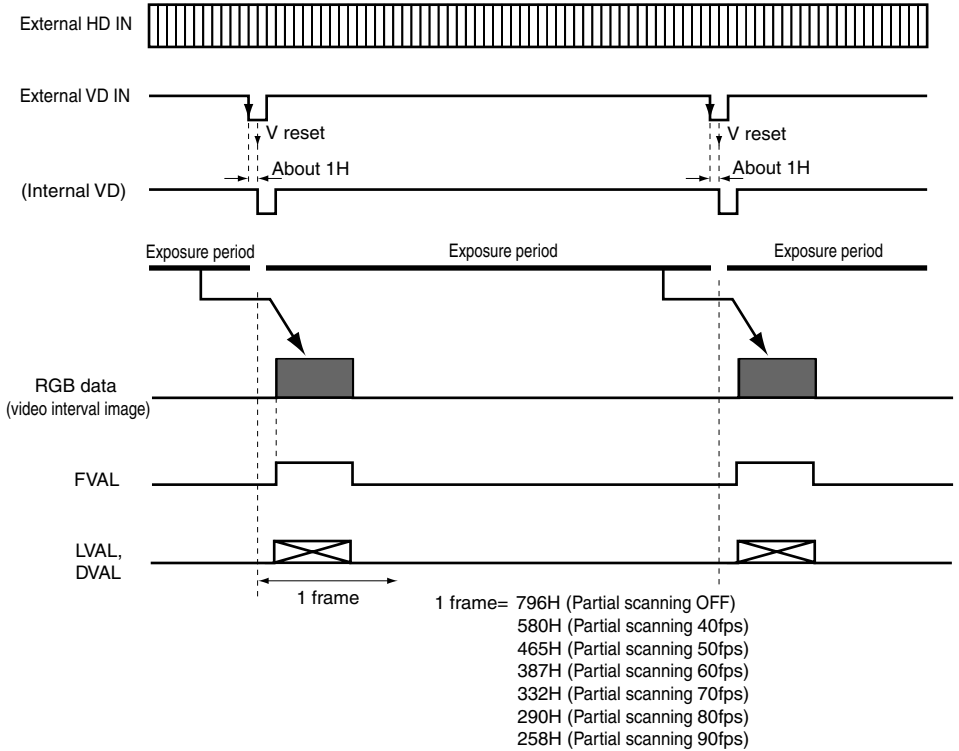
(5) RR (Reset restart)

Input of an external reset-restart signal (CC4 of the DIGITAL terminal: External VD input) permits one screen of information to be output at an arbitrary timing.

(5.1) Long Term Exposure

When a sufficient sensitivity is not obtained with the normal operation conditions or capturing the trial of a moving subject is desired, the reset-restart function allows high-sensitivity images by extending the exposure time. To achieve this, please input from an external source a VD signal that has an expanded VD pulse and VD pulse interval.

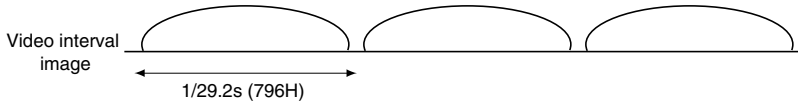
(5.2) Input Timing Chart Example



7.5 Partial Read

(1) Partial Scanning OFF (All pixels scanning)

In this mode, all pixels independent signal from the DIGITAL connector is output each 1/29.2 second (Line order output).

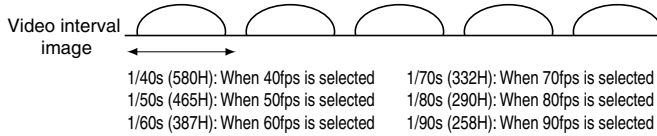


(2) Partial Scanning ON

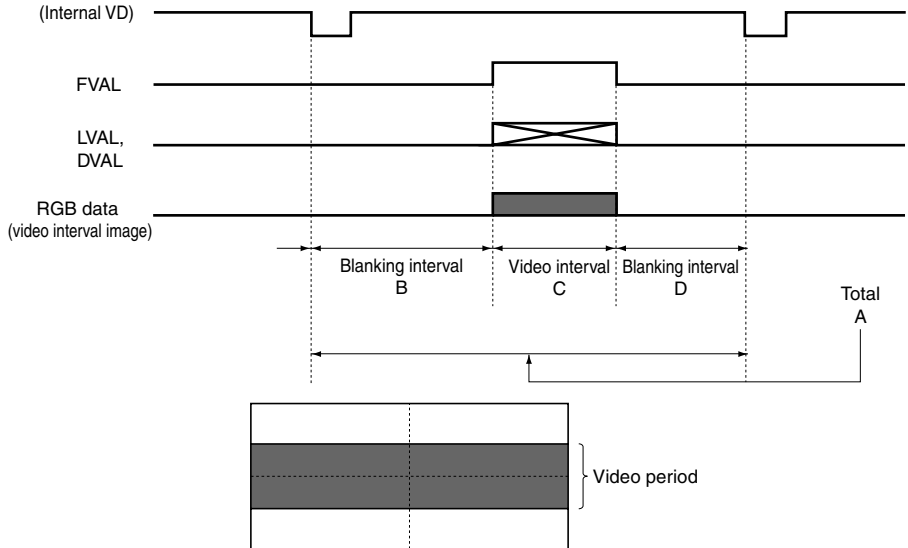
In this mode, the pixel signal of the vertical center portion from the DIGITAL connector is output.

In the E.**fps mode, the partial scanning and the all pixels scanning can be switched by the DIGITAL terminal (CC2: partial scanning control signal).

CC2	E.40fps	E.50fps	E.60fps	E.70fps	E.80fps	E.90fps
'L'	Partial scanning 40fps	Partial scanning 50fps	Partial scanning 60fps	Partial scanning 70fps	Partial scanning 80fps	Partial scanning 90fps
'H'	All pixels scanning	All pixels scanning	All pixels scanning	All pixels scanning	All pixels scanning	All pixels scanning



(3) When Partial Scanning Mode is ON



Mode	Total A	Blanking interval B	Video interval C	Blanking interval D
40fps	580H	24H	542H	14H
50fps	465H	32H	412H	21H
60fps	387H	38H	322H	27H
70fps	332H	42H	259H	31H
80fps	290H	44H	211H	35H
90fps	258H	47H	175H	36H

7.6 External Sync

When using the unit with an external sync signal, input HD and VD to CC3 and CC4 of the DIGITAL terminal. When the external sync signal is input, the camera automatically switches its sync from the internal sync to the external sync.

The operation is as shown below, depending on the unit's status and how external sync signals are input.

Shutter mode	HD input	VD input	Note
At time of SYNC-NON RESET mode	N	N	Internal sync mode
	Y	Y	External sync mode
	N	Y	Only V reset is applied due to VD input. Normally not used.
	Y	N	HD is synchronized to external, but video is not output because there is no VD input. Normally not used.
At time of SYNC-RESET mode	N	*	Internal sync mode. The presence of VD is ignored, and after a specified time after a trigger input, V reset is applied.
	Y	*	HD is synchronized to external. The presence of VD is ignored, and after a specified time after a trigger input, V reset is applied.
At time of reset restart	Y	Y	HD is synchronized to external. Video is output due to VD input.
	N	Y	HD is synchronized to the inside of the camera. Video is output due to VD input.
	*	N	Video is not output because there is no VD input. Normally not used.
At time of manual shutter	N	N	Internal sync mode
	Y	Y	External sync mode
	Y	N	HD is synchronized to external. Normally not used.
	N	Y	Disabled

* Either Y or N is permitted.

(1) External sync signal polarity

HD: 2 to 5V(p-p) Negative

VD: 2 to 5V(p-p) Negative

(2) External sync frequency range

(External sync with HD, VD)

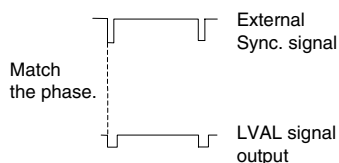
Within $\pm 1\%$ (at horizontal sync frequency of 23.229 kHz)

(3) Using the unit with external sync signal

When adjusting H (horizontal) phase refer to the item "7.2 (5) (5.1) Adjusting horizontal phase".

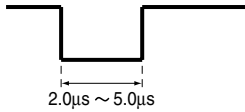
(3.1) H (horizontal) phase adjustment

Observe the external sync signal and the LVAL signal output waveform of the unit with a dual trace oscilloscope, and adjust H phase so that the H phases match.

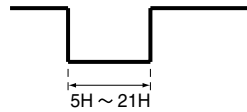


8. INPUT OUTPUT SIGNAL SPECIFICATOINS

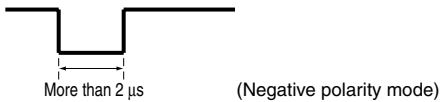
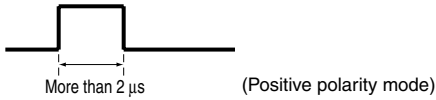
(1) HD Input Specifications



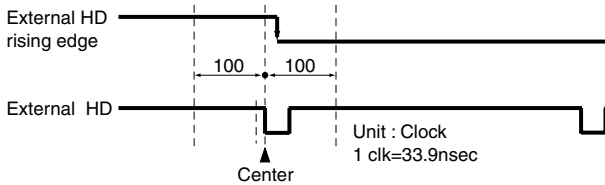
(2) VD Input Specifications



(3) Trigger Pulse Specifications



(4) External HD/VD Input Phase Specifications



The phase relationship of the external HD and VD should correspond to the center phase (i.e., the external HD falling edge) as illustrated in the above diagram.

External VD falling edge:

Please input within about 100 clock cycles of the standard center phase.

Note that V sync of the video is output with a delay of about 2H from the external VD at the time of reset-restart and the external trigger mode.

In the normal mode:

Continuously with the HD period of 43.05 μs and VD period of 34.27 ms (partial scanning 40fps: 24.97 ms, 50fps: 20.02 ms, 60fps: 16.66 ms, 70fps: 14.29 ms, 80fps: 12.49 ms, 90fps: 11.11 ms).

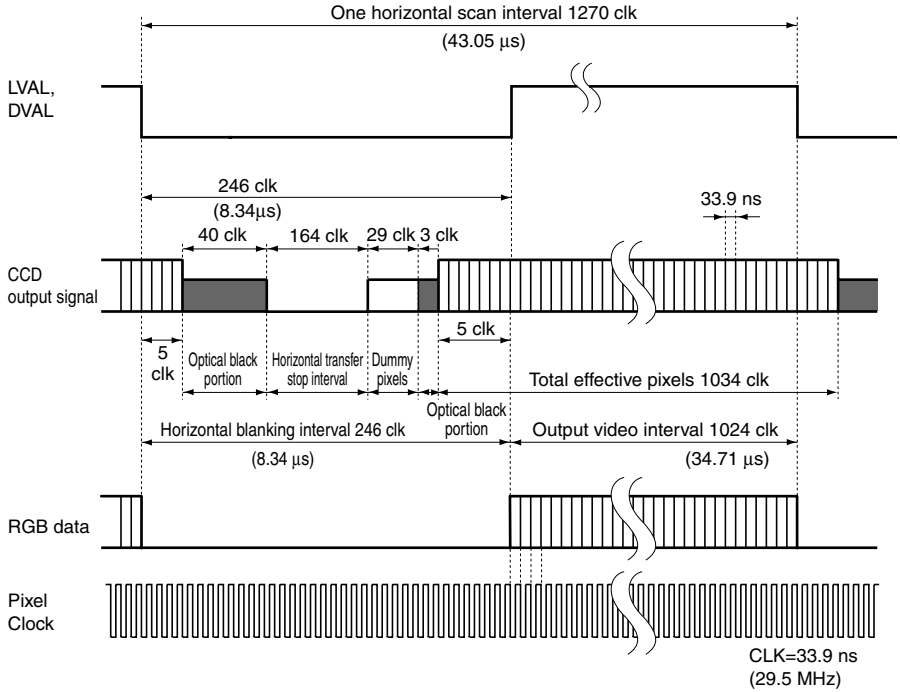
Phase timing is as illustrated in the above diagram (with only the falling edge applicable).

In the reset-restart/external trigger mode:

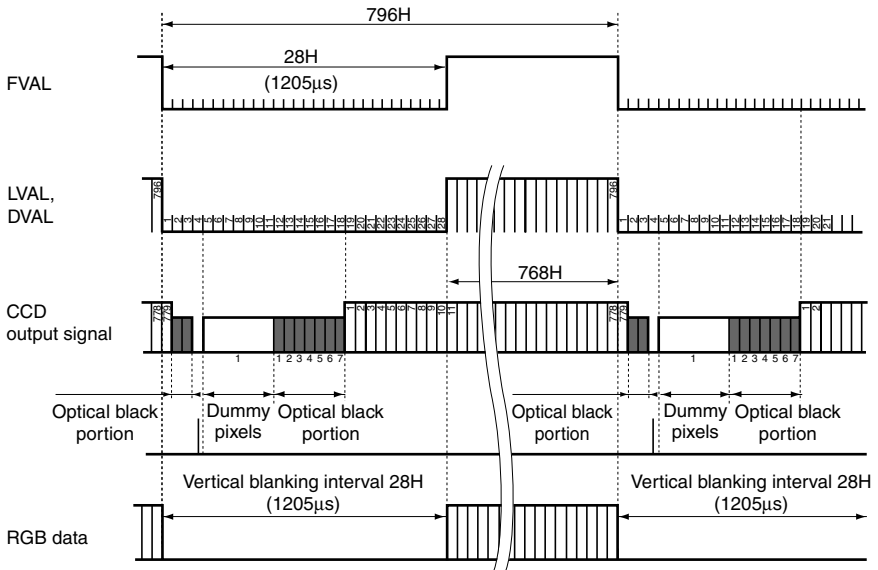
Continuously with the HD period of 43.05 μs . VD (reset) is at an arbitrary timing with the phase of HD being within the standard of the above diagram.

9. OUTPUT WAVEFORM TIMING CHART

(1) Horizontal Output Waveform Timing Chart



(2) Vertical Output Waveform Timing Chart



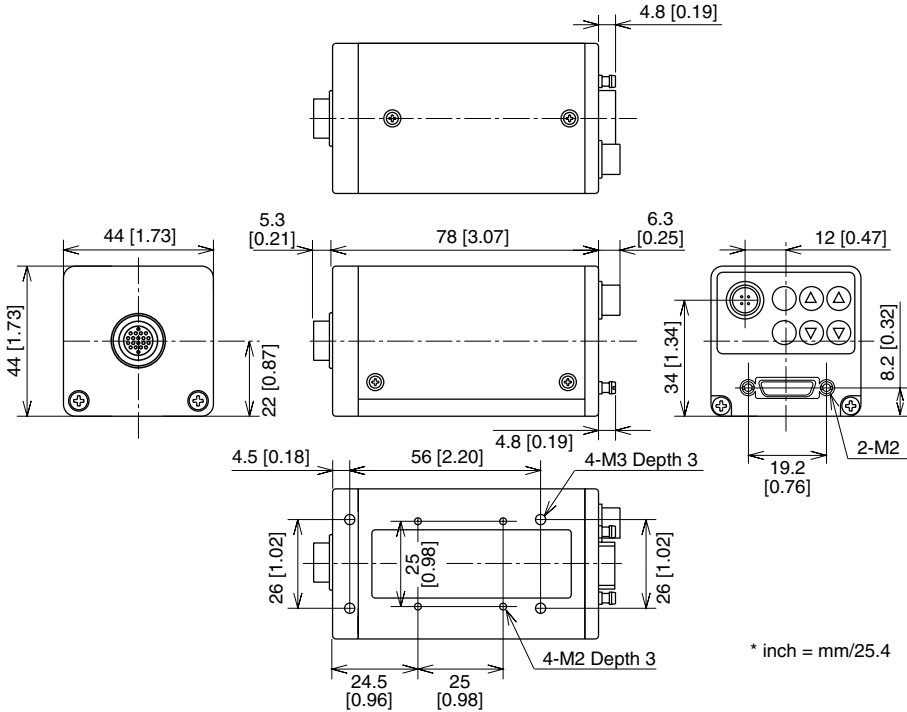
10. SPECIFICATIONS

Power supply	12V DC±10%
Power consumption	Approx. 6.1W
Pick-up system	RGB, 3CCD
Image sensor	1/3inch All pixels CCD (Effective pixels Horizontal : 1034, Vertical : 779)
Scanning System	Progressive scan
Video output pixels	Horizontal pixels : 1024, Vertical : 768
Pixel clock frequency	29.5MHz
Sync signal frequency	Horizontal : 23.229KHz, Vertical : 29.18Hz
Sync system	Internal/External (Automatic switching)
Sensitivity	F6.8 standard (2000 lx, 3000K)
Minimum illumination	14 lx (F2.2, Sensitivity + 18 dB, 3000K)
Lens mount	C mount (flange back : 17.526 mm in-air)
Ambient temperature	0 to 40°C (32 to 104°F)
Ambient humidity	Less than 90%
Weight	Approx. 160g (0.353lbs)
External dimension	44 (W) x 44 (H) x 78 (D) mm (1.73" (W) x 1.73" (H) x 3.07" (D)) (except for protruded portion)
White balance	AWB (Automatic white balance), MANUAL (Manual)
Gain	MANUAL (Manual), OFF (0 dB)
Partial scanning	40fps, 50fps, 60fps, 70fps, 80fps, 90fps
Output signal	8-bit RGB, Digital output (Camera Link format)
Sync signal output	FVAL, LVAL, DVAL (Positive polarity) Pixel Clock
External sync input	HD : CC3 (LVDS input) Negative polarity VD : CC4 (LVDS input) Negative polarity
External trigger input	CC1 (LVDS input), More than 2 μs pulse width
Partial scanning control signal input	CC2 (LVDS input)
Interface	Serial data interface : Ser TC (RXD), Ser TFG (TXD)
Optional parts	IK-TF7H (CAMERA HEAD) EXC-CL05S (Cable), etc

The designs and specifications are subject to change without notice.

11. EXTERNAL APPEARANCE DIAGRAM

Unit : mm [inch]



12. BEFORE MAKING A SERVICE CALL

Symptom	Items to be checked
No image	<ul style="list-style-type: none"> • Is the power supplied correctly? • Is the lens iris adjusted correctly? • Are the cables connected correctly? • Is the shutter mode set correctly? • Is the image process equipment set correctly?
Poor color	<ul style="list-style-type: none"> • Is the monitor adjusted correctly? • Is the white balance of the camera adjusted correctly? • Is the illumination dark?

Limited Warranty – TOSHIBA CCD Camera

The Imaging Systems Division of Toshiba America Information Systems, Inc. ("ISD") makes the following limited warranties with regard to this CCD Camera ("Product"). These limited warranties extend to the Original End-User ("You[r]").

One (1) Year Limited Warranty of Labor and Parts

ISD warrants that this Product will perform in accordance with specifications for a period of one (1) year from the date of purchase by the Original End-User. During this one (1) year period, ISD will repair or replace the Product, if it does not perform as warranted. In order to take advantage of this Limited Warranty, You must: (a) deliver the Product to an ISD Authorized Service Provider ("ASP"); and (b) pay all transportation and insurance charges for shipment of the Product to the ASP. ISD reserves the right to substitute factory refurbished parts in place of those in need of repair.

Instruction Manual (Owner's Manual):

You should read the Instruction Manual (Owner's Manual) thoroughly before operating this Product. Before seeking warranty service, you should check the troubleshooting guide in the Instruction Manual (Owner's Manual) and follow the instructions to correct the problem.

Your Responsibilities

This Limited Warranty is subject to the following conditions:

1. You must provide the bill of sale or proof of purchase at the time that warranty service is required.
2. You must notify an ASP within thirty (30) days after you discover that the Product does not perform in accordance with specifications during the Limited Warranty period.
3. All warranty servicing of this product must be made by an ISD Authorized Service Provider.
4. You must pack the Product in its original carton using the original packing material, then insert the original carton containing the Product into another carton with additional packing material before shipping the Product to an ASP.

DISCLAIMERS:

ALL OTHER EXPRESS OR IMPLIED WARRANTIES ON THIS PRODUCT, INCLUDING THE IMPLIED WARRANTIES OF MERCHANTABILITY AND FITNESS FOR A PARTICULAR PURPOSE, ARE HEREBY DISCLAIMED. SOME STATES DO NOT ALLOW THE EXCLUSION OF IMPLIED WARRANTIES OR LIMITATIONS ON HOW LONG AN IMPLIED WARRANTY LASTS, SO THE ABOVE LIMITATIONS MAY NOT APPLY TO YOU.

IF THIS PRODUCT IS NOT IN GOOD WORKING ORDER AS WARRANTED ABOVE, YOUR SOLE AND EXCLUSIVE REMEDY SHALL BE THE REPAIR OR REPLACEMENT OF THE PRODUCT. IN NO EVENT WILL ISD OR ITS PARENT COMPANY OR ANY ASP BE LIABLE TO YOU OR ANY THIRD PARTY FOR ANY DAMAGES IN EXCESS OF THE PURCHASE PRICE OF THE PRODUCT. THIS LIMITATION APPLIES TO DAMAGES OF ANY KIND, INCLUDING ANY DIRECT OR INDIRECT DAMAGES, LOST PROFITS, LOST SAVINGS OR OTHER SPECIAL, INCIDENTAL, EXEMPLARY OR CONSEQUENTIAL DAMAGES, WHETHER FOR BREACH OF CONTRACT, TORT OR OTHERWISE, OR WHETHER ARISING OUT OF THE USE OF OR INABILITY TO USE SUCH PRODUCT, EVEN IF TAIS, ITS PARENT COMPANY, OR AN ASP HAS BEEN ADVISED OF THE POSSIBILITY OF SUCH DAMAGES OR OF ANY CLAIM BY ANY OTHER PARTY. SOME STATES DO NOT ALLOW THE EXCLUSION OR LIMITATION OF INCIDENTAL OR CONSEQUENTIAL DAMAGES FOR SOME PRODUCTS, SO THE ABOVE LIMITATIONS OR EXCLUSIONS MAY NOT APPLY TO YOU.

THIS WARRANTY GIVES YOU SPECIFIC LEGAL RIGHTS, AND YOU MAY ALSO HAVE OTHER RIGHTS WHICH MAY VARY FROM STATE TO STATE.

THIS LIMITED WARRANTY SHALL BE VOID IF THE PRODUCT OR PARTS HAVE BEEN SUBJECTED TO MISUSE, ABUSE, ACCIDENT, IMPROPER INSTALLATION, IMPROPER MAINTENANCE, OR USE IN VIOLATION OF ISD'S WRITTEN INSTRUCTIONS, OR WHERE THE PRODUCT HAS BEEN ALTERED OR MODIFIED WITHOUT ISD'S PRIOR AUTHORIZATION, OR UPON THE REMOVAL OR ALTERATION OF ISD'S FACTORY SERIAL NUMBER. LABOR SERVICE CHARGES FOR PRODUCT INSTALLATION, SET UP AND ADJUSTMENT OF CONTROLS ARE NOT COVERED BY THIS LIMITED WARRANTY.

How to Obtain Warranty Service – Step-By-Step Procedures:

To obtain warranty service, You should:

1. Contact an ASP for warranty service within thirty (30) days after the Product fails to comply with specifications.
2. Arrange for shipment of the Product to an ASP.
3. Securely pack the Product as described above, insure the carton, and include a letter explaining the problem and a copy of the bill of sale or proof of purchase.
4. Prepay all transportation and insurance costs.

Questions? If you have any questions, please check ISD's Web Site or send an e-mail as follows:

Web Site: <http://www.toshiba.com/taisisd/indmed>

E-mail: CCTVtech.support@tais.toshiba.com

No person, agent, distributor, dealer, authorized service provider, or company is authorized to change, modify, or extend the terms of this Limited Warranty in any manner whatsoever. The time within which an action must be commenced to enforce any obligation of ISD arising under this Limited Warranty or under any statute, or law of the United States or any state thereof, is hereby limited to one (1) year from the date You discover or should have discovered the problem. This limitation does not apply to implied warranties arising under state law. Some states do not permit limitation of the time within which You may bring an action beyond the limits provided by state law, so the above provision may not apply to You. This Limited Warranty gives You specific legal rights and You may also have other rights which vary from state to state.

TOSHIBA AMERICA INFORMATION SYSTEMS, INC.

Imaging Systems Division
9740 Irvine Boulevard, Irvine, CA 92618-1697

Copyright© 2007 Toshiba America, Inc. All rights reserved.

TOSHIBA

Free Manuals Download Website

<http://myh66.com>

<http://usermanuals.us>

<http://www.somanuals.com>

<http://www.4manuals.cc>

<http://www.manual-lib.com>

<http://www.404manual.com>

<http://www.luxmanual.com>

<http://aubethermostatmanual.com>

Golf course search by state

<http://golfingnear.com>

Email search by domain

<http://emailbydomain.com>

Auto manuals search

<http://auto.somanuals.com>

TV manuals search

<http://tv.somanuals.com>