

# Satellite 2400/2405 Series

## General Specifications

### 2400-S201

PS240U-00UMR7

### 2405-S201

PS240U-00UMRX

### 2400-S202

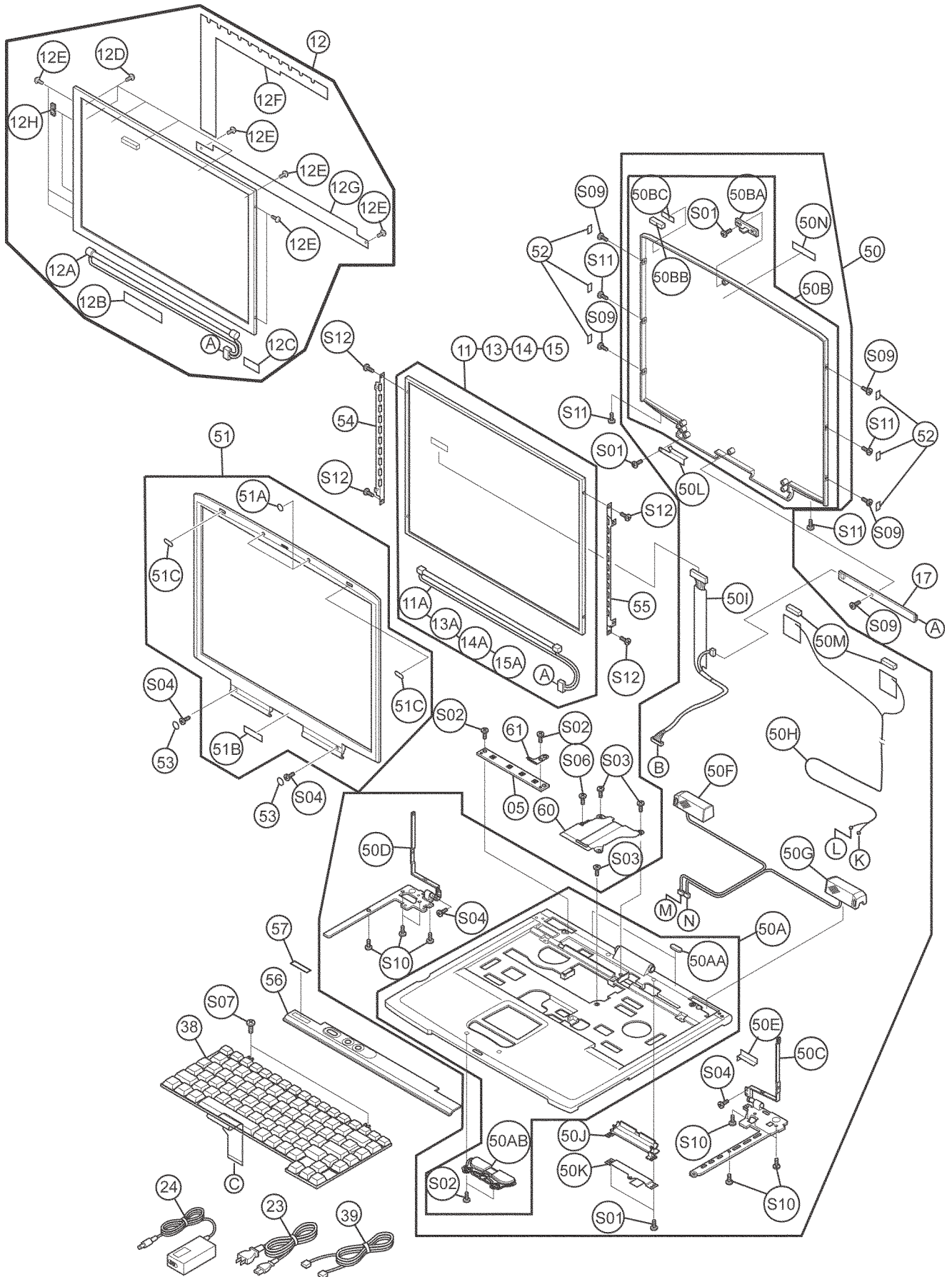
PS240U-00UMR3

### 2400-S202

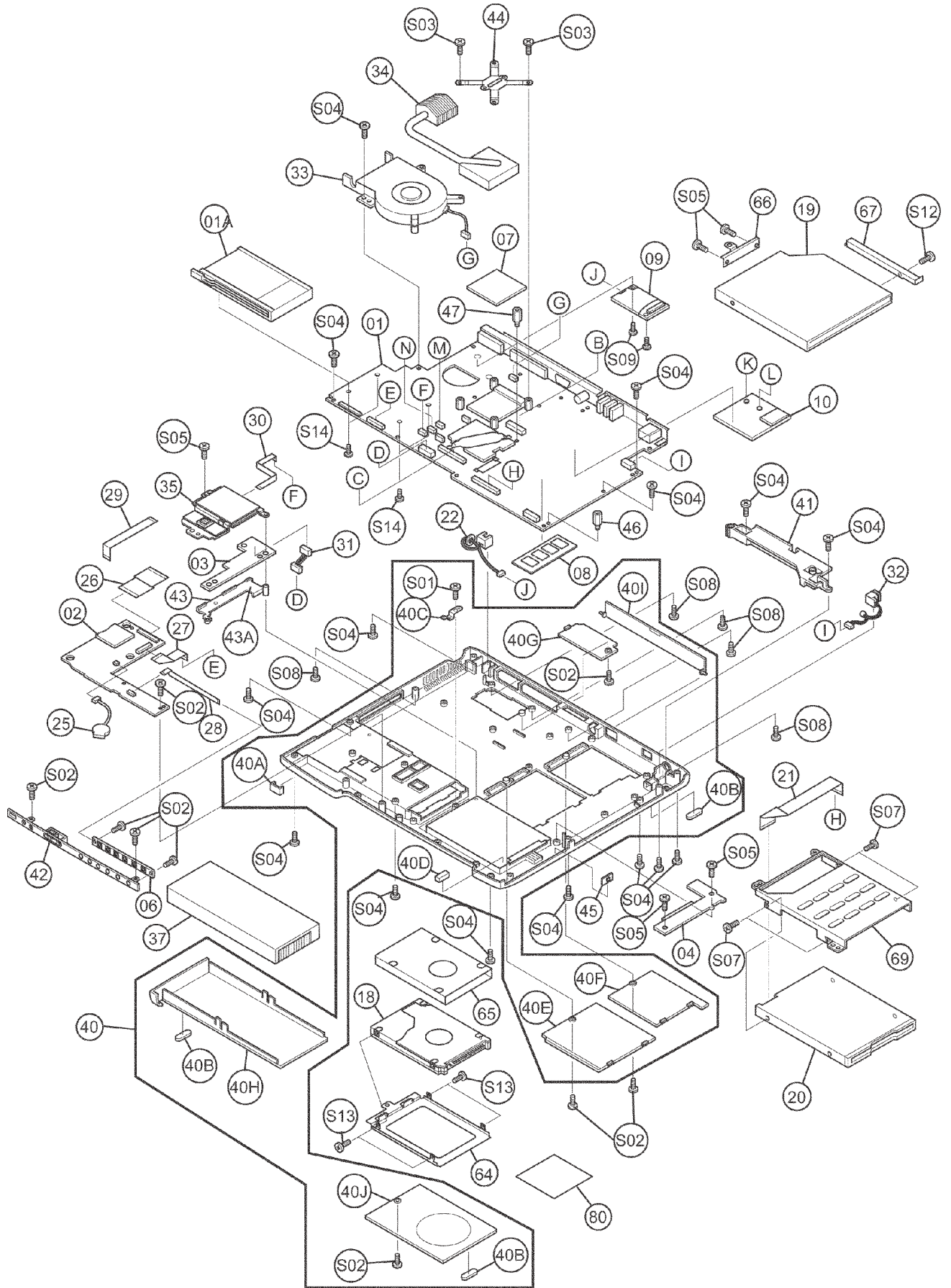
PS240U-00UMRJ

<b>Processor:</b>	Intel Pentium 4 @ 1.60GHz; Integrated co-processor; 256MB expandable to 512MB; 512KB Level 2 cache integrated on die; 400MHz front side bus clock speed
<b>Memory:</b>	256MB expandable to 512MB; SODIMM expansion memory 128/256/512Mbit PC2100 DDR, 2.5V Data/Address Bus Width: 64-bit/32-bit; BIOS ROM: Intel FWH4Mbit; Intel 82845MZ
<b>Drive(s):</b>	HDD: 30.0GB supports PIO Mode 4 FDD: 3.5" 1.44MB DVD-ROM/CDRW
<b>Graphics/Video:</b>	14.1" TFT active -matrix display; internal display supports up to 16M colors at 1024 x 768; S-3 Super Savage graphics controller; 16MB internal video memory; 3D graphics accelerator, AGP bus support; 2D graphics accelerator, BitBLT hardware, hardware cursor, Direct Draw support
<b>Audio:</b>	YMF753 Codec Chip; Software Sound Chip, 16-bit stereo; Built-in stereo speakers; 3D sound support; Direct 3D sound; DirectSound (supported by driver) and DirectMusic; Full duplex and MIDI (play back) support; Sound Volume Control Dial; headphone and microphone ports
<b>Communication:</b>	Integrated V.90/56K modem, Data and fax support; Integrated 10/100 Ethernet LAN
<b>Expansion:</b>	2 expansion memory slots; 2PC card slots support 2 Type II or 1 Type III PC cards; 32-bit CardBus ready
<b>Ports:</b>	RGB (monitor); ECP Parallel printer; 3 USB; RJ-45 LAN; RJ-11 modem; Infrared; TV-Out (NTSC/PAL output; RCA jack); SD (Secure Digital) slot
<b>Keyboard:</b>	85 keys with 12 function keys, TouchPad pointing device
<b>Battery:</b>	9 cell, rechargeable, removable Li-Ion, approximately 3H battery life
<b>Weight:</b>	7.54 lbs
<b>Dimensions:</b>	(L)12.8" x (W)11.2" x (H)1.7"
<b>Software:</b>	MS Windows XP Pro pre-installed (2400-S201/2405-S202); MS Windows XP Home pre-installed (2405-S201/2400-S202); MS Internet Explorer, Online documentation, Adobe Acrobat Reader, Intuit Quicken Basic 2001, Norton Antivirus 2002, AOL (3-month offer), Toshiba custom utilities, Toshiba great software offer; Lotus SmartSuite Millennium Edition (2405 Series only)
<b>Security:</b>	Slot for computer lock; Main battery pack (sliding lock); HDD and memory (by screw only), Built-in Modem/LAN (screw only), User Power-On password, Setup Security, HDD password, Keyboard lock (by hotkey), Screen Blank (by hotkey), Screen Saver (by software); Fingerprint security (optional PC card type)
<b>Warranty:</b>	1 year parts, labor, and battery

Satellite 2400 Series Exploded 14" TFT Upper View



Satellite 2400 Series Exploded 14" TFT Lower View



## Satellite 2400 Series 14" TFT Part Numbers

Ref. #	Code	Part #	Description	PIR	Comments
	C1X6	PS240U-00UMR3	2400-S202/30 (00UMR3)		S2400-S202/30, WXP Home, 1.60GHz P4, 256MB, CD-RW/DVD, 14 XGA TFT, Modem/LAN, (Wireless Ready)
	C1X6	PS240U-00UMR3B	2400-S202 (00UMR3B) B-STK		S2400-S202/30, WXP Home, 1.60GHz P4, 256MB, CD-RW/DVD, 14 XGA TFT, Modem/LAN, (Wireless Ready), Remf
	C1X6	PS240U-00UMR7	2400-S201/30 (00UMR7)		S2400-S201/30, WXP Pro, 1.60GHz P4, 256MB, CD-RW/DVD, 14 XGA TFT, Modem/LAN, (Wireless Ready)
	C1X6	PS240U-00UMR7B	2400-S201 (00UMR7B) B-STK		S2400-S201/30, WXP Pro, 1.60GHz P4, 256MB, CD-RW/DVD, 14 XGA TFT, Modem/LAN, (Wireless Ready), Remf
	C1X6	PS240U-00UMR7W	2400-S201/30 (00UMR7W)		S2400-S201/30, WXP Pro, 1.60GHz P4, 256MB, CD-RW/DVD, 14 XGA TFT, Modem/LAN, Office SB, (Wireless Ready)
	C1X6	PS240U-00UMR7WB	2400-S201 (00UMR7WB)B-STK		S2400-S201/30, WXP Pro, 1.60GHz P4, 256MB, CD-RW/DVD, 14 XGA TFT, Modem/LAN, Office SB,(Wireless Ready),Remf
	C1X6	PS240U-00UMR7X	2400-S201/30 (00UMR7X)		S2400-S201/30, WXP Pro, 1.60GHz P4, 256MB, CD-RW/DVD, 14 XGA TFT, Modem/LAN, Office Pro, (Wireless Ready)
	C1X6	PS240U-00UMR7XB	2400-S201 (00UMR7XB)B-STK		S2400-S201/30, WXP Pro, 1.60GHz P4, 256MB, CD-RW/DVD, 14 XGA TFT, Modem/LAN,Office Pro,(Wireless Ready),Remf
	C1X6	PS240U-00UMRJ	2405-S202/30 (00UMRJ)		S2405-S202/30, WXP Pro, 1.60GHz P4, 256MB, CD-RW/DVD, 14 XGA TFT, Modem/LAN, (Wireless Ready)
	C1X6	PS240U-00UMRJB	2405-S202 (00UMRJB) B-STK		S2405-S202/30, WXP Pro, 1.60GHz P4, 256MB, CD-RW/DVD, 14 XGA TFT, Modem/LAN, (Wireless Ready), Remf
	C1X6	PS240U-00UMRX	2405-S201/30 (00UMRX)		S2405-S201/30, WXP Home, 1.60GHz P4, 256MB, CD-RW/DVD, 14 XGA TFT, Modem/LAN, (Wireless Ready)
	C1X6	PS240U-00UMRXB	2405-S201 (00UMRXB) B-STK		S2405-S201/30, WXP Home, 1.60GHz P4, 256MB, CD-RW/DVD, 14 XGA TFT, Modem/LAN, (Wireless Ready), Remf
	C1X7	PS240U-00UL57	2400-S201/30 (00UL57)		S2400-S201/30, WXP Pro, 1.60GHz P4, 256MB, CD-RW/DVD, 14 XGA TFT, Modem/LAN, Wi-Fi LAN
	C1X7	PS240U-00UL57B	2400-S201 (00UL57B) B-STK		S2400-S201/30, WXP Pro, 1.60GHz P4, 256MB, CD-RW/DVD, 14 XGA TFT, Modem/LAN, Wi-Fi LAN, Remf
	C1X8	PS240U-00UMRNNC	2405-S201/30 (00UMRNNC)		S2405-S201/30, WXP Home, 1.60GHz P4, 256MB, CD-RW/DVD, 14 XGA TFT, Modem/LAN, (Wireless Ready), Sp
	C1X8	PS240U-00UMRPNC	2400-S201/30 (00UMRPNC)		S2400-S201/30, WXP Pro, 1.60GHz P4, 256MB, CD-RW/DVD, 14 XGA TFT, Modem/LAN, (Wireless Ready), Sp
OP01	C1X6	KTT3614/128	MEM MODULE, 128MB		Kingston 128MB PC2100 DDR Memory Module
OP01-A	C1X7	KTT3614/256	MEM MODULE, 256MB		Kingston 256MB PC2100 DDR Memory Module
OP02	C1X6	PA3083U-1ACA	UNIV AC ADAPTER		Input:100V-240V, 1.2A-0.6A, 50-60Hz, Output:15VDC, 5A, 75 watt,(U,C,Z)
OP02A	C1X6	P000337890	AC ADAPTER		Input: 100V-240V, 1.2A-0.6A, 50-60Hz, Output: 15VDC, 5A (UA2042P02)
OP02B	C1X6	P000327770	AC CORD SET		(U, C, Z)
OP03	C1X6	PA3107U-1BRS	BATTERY PACK		Lithium-Ion 10.8VDC, 4500mAh, with Recycle Label, (U,E)
OP03A	C1X6	P000324210	BATTERY PACK	CEH	Lithium-Ion 10.8VDC, 4500mAh, with Recycle Label, XM2033P02, (U,E)
OP03A-1	C1X6	P000337840	BATTERY PACK	CEH	Lithium-Ion 10.8VDC, 4500mAh, with Recycle Label, XM2040P02 (U,E,Z)
OP03A-2	C1X8	P000350480	BATTERY PACK	CEH	Lithium-Ion 10.8VDC, 4500mAh, with Recycle Label (U,E,Z)
OP04	C1X6	PA2488U	BATT CHARGER (MAIN)		For Main Battery Pack, (U,C,Z)
OP05	C1X6	PA3212U-1MPC	WIRELESS LAN CARD KIT		
OP05A	C1X6	P000339520	WIRELESS LAN CARD		Agere Systems MPC13A-20/R, ZA2314P04
S01	C1X6	P000300290	T SCREW, M2.5X6		
S02	C1X6	P000318000	TG SCREW, M2.5X4BN		Black, Flat-Head (low profile) screw
S03	C1X6	P000207940	SCREW, M2X6		
S04	C1X6	P000317990	TG SCREW, M2.5X6BN		
S05	C1X6	P000274010	T GRIP SCREW, M2X5C		
S06	C1X8	P000290500	GRIP SCREW, M2.5X16Z		Black Grip Screw
S07	C1X6	P000227770	SCREW, M2.5X2.6BN		Black, Flat-Head (low profile) screw
S08	C1X8	P000322980	GRIP SCREW, M2.5X25BN		
S09	C1X6	P000278970	TG SCREW, M2X4BN		Super flat (low profile) screw
S10	C1X6	P000239510	GRIP SCREW, M2.5X5Z		
S11	C1X6	P000315550	TG SCREW, M2.5X2.8B		
S12	C1X8	P000273850	T GRIP SCREW, M2X3C		Silver, Flat-Head (low profile) screw
S13	C1X6	P000339380	THIN SCREW, M3X4Z		Silver, Flat-Head (low profile) screw
S14	C1X6	P000261770	GRIP SCREW, M2X12Z		
1	C1X6	P000347320	PCB ASSY FRTS12		System Board, without CPU, without memory, A5A000258010
1A	C1X6	P000323270	CARDBUS CONNECTOR		PC Card Connector, G36220279179
2	C1X7	P000347330	PCB ASSY FRTSD1		Sound Board, A5A000233010
3	C1X7	P000347340	PCB ASSY FRTB1		Battery (Battery Terminal) Board, G70C00004210
4	C1X6	P000347350	PCB ASSY FRTHD1		HDD Connector Board (contains W-LAN switch), G70C00005210
5	C1X6	P000347360	PCB ASSY FRTPW1		Power Switch Board, G70C00006210
6	C1X7	P000347370	PCB ASSY FRTCW1		CD Switch Board, G70C00007210
7	C1X6	P000341830	IC RH80532GC025		Intel 1.60GHz P4, apply grease to CPU before mounting Cooling Module
7-1	C1X6	P000350180	IC RH80532NC025	CEH	Intel 1.60GHz P4, apply grease to CPU before mounting Cooling Module
8-A	C1X6	P000335630	256MB SO DIMM		DDR-DRAM, Approved makes =Toshiba, Samsung, Elpida, HYS-Hyundia, Hynix
9	C1X7	P000322090	MDC MODEM		Modem Daughter Card, Askey Computer 1456VQL4 (INT), ZA2300P06
10	C1X7	P000339520	WIRELESS LAN CARD		Agere Systems MPC13A-20/R, ZA2314P04
11	C1X6	P000332290	COLOR LCD MODULE		Chimei N141X6-02, 14.1 XGA TFT, VF2093P01
11A	C1X8	P000334580	FL TUBE SET		
12	C1X6	P000309120	COLOR LCD MODULE	CEH	Samsung LTN141X7-L06, 14.1 XGA TFT, VF2048P01
12A	C1X6	P000310980	FL TUBE		
12B	C1X8	P000310990	AL TAPE		
12C	C1X8	P000311000	WIRE TAPE		
12D	C1X6	P000311010	SCREW, M2X1.7		
12E	C1X6	P000311020	SCREW, M2X2.5		
12F	C1X8	P000311030	PCB COVER		
12G	C1X8	P000311040	LAMP COVER		
12H	C1X6	P000311050	CLIP		
13	C1X6	P000316700	COLOR LCD MODULE	CEH	LG. Philips LP141X7-C1TO, 14.1 XGA TFT, VF2062P01
13A	C1X6	P000318970	FL LAMP KIT		
14	C1X6	P000309110	COLOR LCD MODULE	CEH	Toshiba LTM14C433, 14.1 XGA TFT, VF2047P01
14A	C1X6	P000311060	FL TUBE SET		
15	C1X6	P000338370	COLOR LCD MODULE	CEH	Toshiba LTM14C501, 14.1 XGA TFT, VF2096P01
15A	C1X7	P000338550	FL TUBE SET		

**Satellite 2400 Series Part 14" TFT Numbers, (cont.)**

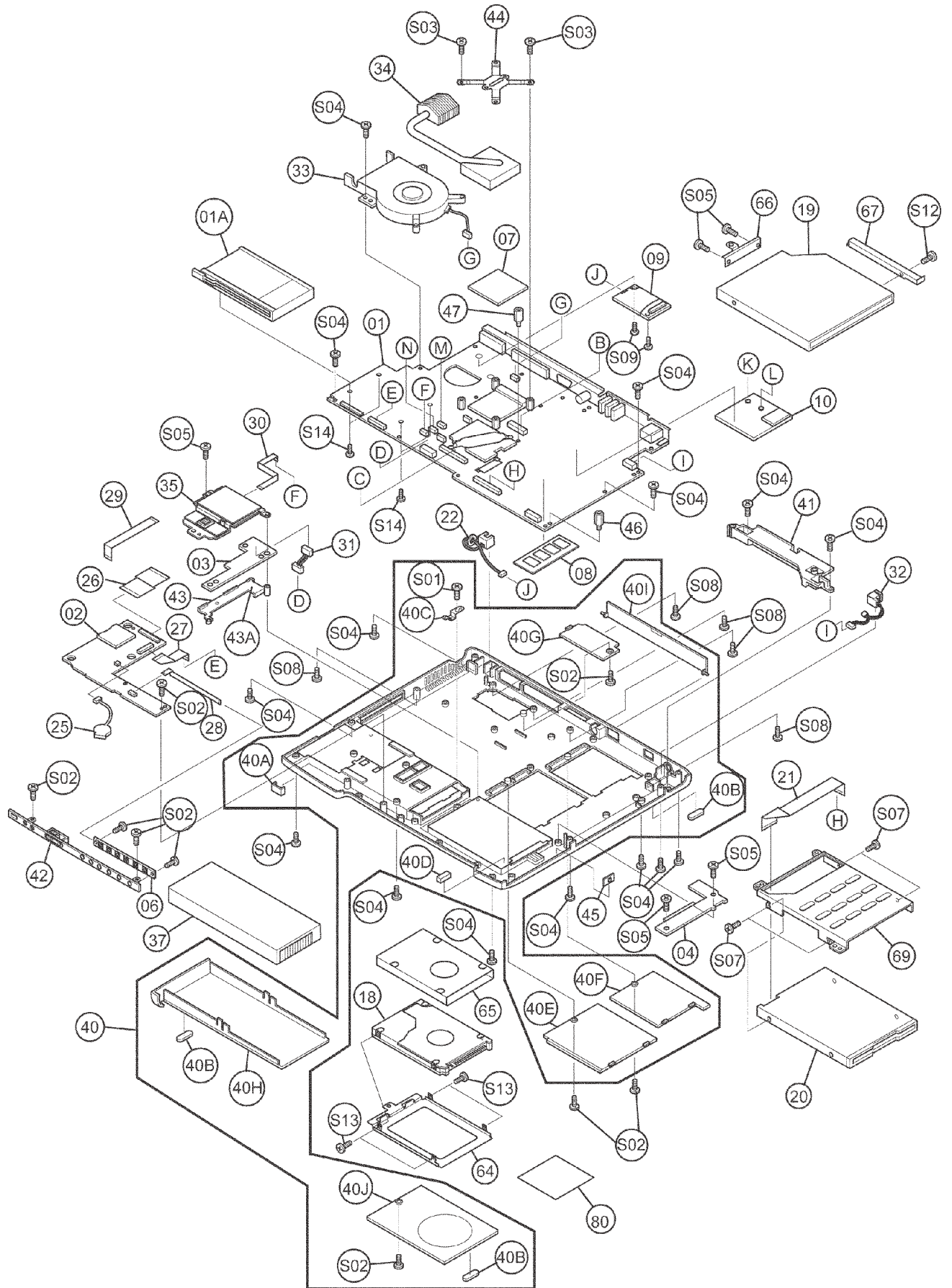
Ref. #	Code	Part #	Description	PIR	Comments
16	C1X8	P000348970	COLOR LCD MODULE	CEH	Sharp LQ141X1LH83, 14.1 XGA TFT, VF2065P02
16A	C1X6	P000350800	FL TUBE		
16B	C1X6	P000261140	SCREW, M2X2		
16C	C1X7	P000350810	COVER S		
16D	C1X6	P000316210	AL TAPE		
16E	C1X6	P000350820	TAPE		
17	C1X6	P000347420	FL INVERTER		UA2024P04
18-A	C1X6	P000341840	HDD UNIT (30GB)		Toshiba, MK30KEF, HDD2169B
18-A-1	C1X6	P000341850	HDD UNIT (30GB)	CEH	IBM IC25N030ATCS04 (ATD04T), P/N: 07N8326, 07N9318, G8BC00004210
19-A	C1X7	P000349540	CD-RW/DVD-ROM		Toshiba SD-R2102-OAHB, G8CC00009210
19-A-1	C1X6	P000347430	CD-RW/DVD-ROM	CEH	Panasonic (KME - Kyushu Matsushita Electric) UJDA720, ZA2431P02
20	C1X8	P000347440	FDD UNIT		Teac FD05HG-7778, G8AC00002210, requires P000347760
20-1	C1X6	P000349920	FDD UNIT	CEH	Samsung SFD-321S/TB1 G8AC00007110, requires P000347760
20-A	C1X6	P000347450	FDD UNIT		Mitsumi D353F3X/R-3220, G8AC00003110, requires P000349670
21	C1X6	P000347760	1.0MM PITCH FFC		FDD Cable for Teac or Samsung FDD
21-A	C1X6	P000349670	1.0MM PITCH FFC	CDA	FDD Cable for Mitsumi FDD
22	C1X6	P000347460	RJ11 HARNESS		
23	C1X6	P000220300	MODULAR CABLE		Modem Cable
24	C1X6	P000347470	AC ADAPTER		
25	C1X6	P000331520	RTC BATTERY		Lithium Ion, 3.6V, 15mAh
26	C1X6	P000347480	0.5MM PITCH FFC		Cable between Sound Board and System Board
27	C1X6	P000347490	0.5MM PITCH FFC		Cable between Sound Board and System Board
28	C1X6	P000347500	0.5MM PITCH FFC		Cable between Sound Board and CD Switch Board
29	C1X6	P000347510	0.5MM PITCH FFC		
30	C1X8	P000347520	0.5MM PITCH FFC		Cable between Touch Pad and System Board
31	C1X7	P000347530	BATTERY HARNESS		Cable between Battery Board and System Board
32	C1X8	P000347540	DC JACK HARNESS		DC-In Cable
33	C1X6	P000347550	DC FAN		Cooling Fan Module, apply grease to CPU before installing Cooling Mod.
34	C1X6	P000347560	FIN		Heatsink unit, apply grease to chip before installing
35	C1X6	P000347570	TOUCH PAD		
36	C1X6	(RESERVED)			
37	C1X6	P000337840	BATTERY PACK		Lithium-Ion 10.8VDC, 4500mAh, with Recycle Label, XM2040P02 (U E,Z)
37-1	C1X6	P000350480	BATTERY PACK	CEH	Lithium-Ion 10.8VDC, 4500mAh, with Recycle Label (U,E,Z)
38	C1X6	P000347580	KEYBOARD UNIT		Minebea WLJ-5508W, G83C0000E210, (U)
38-A	C1X8	UE2024P36KB-SP	KEYBOARD UNIT, SP		Spanish Keyboard, for Latin America units
39	C1X8	P000327770	AC CORD SET		(U, C, Z)
40	C1X6	P000347590	BASE ASSY		For units with letter C stamped on Base in battery compartment area
40-A	C1X6	P000348470	BASE ASSY		For units with letter D stamped on Base in battery compartment area
40-B	C1X6	P000349710	BASE ASSY		For units with letter P stamped on Base in battery compartment area
40A	C1X6	P000347970	FIR COVER		For units with letter C stamped on Base in battery compartment area
40A-A	C1X6	P000348530	FIR COVER		For units with letter D stamped on Base in battery compartment area
40A-B	C1X8	P000349770	FIR COVER		For units with letter P stamped on Base in battery compartment area
40B	C1X7	P000347980	BOTTOM CUSHION		
40C	C1X6	P000347990	HDD BRACKET		
40D	C1X6	P000222130	GUM CUSHION		
40E	C1X6	P000348000	MEMORY COVER ASSY		For units with letter C stamped on Base in battery compartment area
40E-A	C1X6	P000348540	MEMORY COVER ASSY		For units with letter D stamped on Base in battery compartment area
40E-B	C1X6	P000349780	MEMORY COVER ASSY		For units with letter P stamped on Base in battery compartment area
40F	C1X8	P000348010	MINI PCI COVER		For units with letter C stamped on Base in battery compartment area
40F-A	C1X7	P000348550	MINI PCI COVER		For units with letter D stamped on Base in battery compartment area
40F-B	C1X6	P000349790	MINI PCI COVER		For units with letter P stamped on Base in battery compartment area
40G	C1X6	P000348020	MDC COVER		Modem Slot Cover, For units with letter C stamped on Base
40G-A	C1X7	P000348560	MDC COVER		Modem Slot Cover, For units with letter D stamped on Base
40G-B	C1X8	P000349800	MDC COVER		Modem Slot Cover, For units with letter P stamped on Base
40H	C1X6	P000348030	BATT COVER ASSY		For units with letter C stamped on Base in battery compartment area
40H-A	C1X6	P000348570	BATT COVER ASSY		For units with letter D stamped on Base in battery compartment area
40H-B	C1X6	P000349810	BATT COVER ASSY		For units with letter P stamped on Base in battery compartment area
40I	C1X8	P000348040	REAR CONN. COVER		For units with letter C stamped on Base in battery compartment area
40I-A	C1X6	P000348580	REAR CONN. COVER		For units with letter D stamped on Base in battery compartment area
40I-B	C1X6	P000349820	REAR CONN. COVER		For units with letter P stamped on Base in battery compartment area
40J	C1X6	P000348050	HDD COVER ASSY		For units with letter C stamped on Base in battery compartment area
40J-A	C1X6	P000348590	HDD COVER ASSY		For units with letter D stamped on Base in battery compartment area
40J-B	C1X6	P000349830	HDD COVER ASSY		For units with letter P stamped on Base in battery compartment area
41	C1X6	P000347600	CONN. HOLDER ASSY		Plastic Brace
42	C1X6	P000347610	FRONT COVER ASSY		For units with letter C stamped on Base in battery compartment area
42-A	C1X6	P000348480	FRONT COVER ASSY		For units with letter D stamped on Base in battery compartment area
42-B	C1X6	P000349720	FRONT COVER ASSY		For units with letter P stamped on Base in battery compartment area
43	C1X6	P000347620	BATT CONN. COVER		
43A	C1X6	P000343570	SPRING, BATT SAFETY		
44	C1X6	P000347630	CPU HOLDER		
45	C1X8	P000347640	WIRELESS LAN SW. KNOB		For units with letter C stamped on Base in battery compartment area

**Satellite 2400 Series Part 14" TFT Numbers, (cont.)**

Ref. #	Code	Part #	Description	PIR	Comments
45-A	C1X6	P000348490	WIRELESS LAN SW. KNOB		For units with letter D stamped on Base in battery compartment area
45-B	C1X6	P000349730	WIRELESS LAN SW. KNOB		For units with letter P stamped on Base in battery compartment area
46	C1X6	P000283510	CPU STUD		M2.5X6 Stud Screw
47	C1X6	P000309450	HEXA STUD		M2.5X14 Stud Screw
48-49	C1X6	(RESERVED)			
50	C1X6	P000349610	COVER ASSY		For units with letter C stamped on Base in battery compartment area
50-A	C1X6	P000349690	COVER ASSY		For units with letter D stamped on Base in battery compartment area
50-B	C1X6	P000349740	COVER ASSY		For units with letter P stamped on Base in battery compartment area
50A	C1X6	P000347780	COVER SUB ASSY		Top Cover, For units with letter C stamped on Base
50A-A	C1X8	P000348600	COVER SUB ASSY		Top Cover, For units with letter D stamped on Base
50A-B	C1X6	P000349840	COVER SUB ASSY		Top Cover, For units with letter P stamped on Base
50AA	C1X6	P000347790	LCD CUSHION		
50AB	C1X7	P000347800	TOUCH PAD BUTTON, WHEEL		For units with letter C stamped on Base in battery compartment area
50AB-A	C1X8	P000348610	TOUCH PAD BUTTON, WHEEL		For units with letter D stamped on Base in battery compartment area
50AB-B	C1X6	P000349850	TOUCH PAD BUTTON, WHEEL		For units with letter P stamped on Base in battery compartment area
50B	C1X6	P000349050	LCD COVER ASSY		For units with letter C stamped on Base in battery compartment area
50B-A	C1X7	P000349130	LCD COVER ASSY		For units with letter D stamped on Base in battery compartment area
50B-B	C1X8	P000349860	LCD COVER ASSY		For units with letter P stamped on Base in battery compartment area
50BA	C1X8	P000347820	LCD LATCH HOOK		For units with letter C stamped on Base in battery compartment area
50BA-A	C1X7	P000348630	LCD LATCH HOOK		For units with letter D stamped on Base in battery compartment area
50BA-B	C1X6	P000349870	LCD LATCH HOOK		For units with letter P stamped on Base in battery compartment area
50BB	C1X6	P000347830	SENSOR SW. MAGNET		
50BC	C1X6	P000347840	D STICK TAPE		
50C	C1X6	P000349060	BRAKE HINGE, RIGHT		
50D	C1X6	P000349070	BRAKE HINGE, LEFT		
50E	C1X8	P000347870	BH UPPER INSULATOR		Brake Hinge Upper Insulator
50F	C1X8	P000347880	SPEAKER, LEFT		
50G	C1X6	P000347890	SPEAKER, RIGHT		
50H	C1X6	P000347900	ANTENNA CABLE		Wireless LAN Antenna
50I	C1X6	P000350190	LCD HARNESS		LCD/FL Cable
50J	C1X7	P000347920	CABLE HOLDER		For units with letter C stamped on Base in battery compartment area
50J-A	C1X7	P000348640	CABLE HOLDER	CEH	For units with letter D stamped on Base in battery compartment area
50J-B	C1X8	P000349880	CABLE HOLDER	CEH	For units with letter P stamped on Base in battery compartment area
50K	C1X8	P000347930	CABLE EARTH PLATE		
50L	C1X6	P000347940	HARNESS HOLDER		
50M	C1X6	P000347950	CUSHION TAPE		
50N	C1X7	P000347960	TOSHIBA BADGE		for Display Cover
51	C1X6	P000349020	LCD MASK ASSY		For units with letter C stamped on Base in battery compartment area
51-A	C1X6	P000349100	LCD MASK ASSY		For units with letter D stamped on Base in battery compartment area
51-B	C1X8	P000349750	LCD MASK ASSY		For units with letter P stamped on Base in battery compartment area
51A	C1X7	P000312850	LCD CUSHION		
51B	C1X6	P000322780	TOSHIBA BADGE		For Display Mask
51C	C1X6	P000322790	LCD GUM CUSHION		
52	C1X8	P000347670	SCREW SEAL		
53	C1X8	P000333940	LCD MASK SEAL		
54-55	C1X6	(RESERVED)			
56	C1X6	P000347690	KEYBD HOLDER ASSY		Keyboard Brace, For units with letter C stamped on Base
56-A	C1X6	P000348520	KEYBD HOLDER ASSY		Keyboard Brace, For units with letter D stamped on Base
56-B	C1X8	P000349760	KEYBD HOLDER ASSY		Keyboard Brace, For units with letter P stamped on Base
57	C1X6	P000347700	PRODUCT BADGE		
58-59	C1X6	(RESERVED)			
60	C1X6	P000347710	SUPPORT PLATE		Metal Plate
61	C1X6	P000347720	KEYBD HOLDER PLATE		
62-63	C1X8	(RESERVED)			
64	C1X7	P000347730	HDD HOLDER ASSY		HDD Bracket
65	C1X8	P000316400	HDD INSULATOR		
66	C1X7	P000347740	ODD REAR BRACKET		Optical Disk Drive Rear Bracket
67	C1X6	P000347750	ODD SIDE BRACKET		Optical Disk Drive Side Bracket
68	C1X6	(RESERVED)			
69	C1X6	P000347770	FDD BRACKET ASSY		
70	C1X6	(RESERVED)			
71	C1X6	P000316910	CHINA LABEL		
72	C1X6	P000319730	LITHUANIA LABEL		
73	C1X6	P000320520	CARD LABEL		
74-79	C1X6	(RESERVED)			



Satellite 2400 Series Exploded 15" Upper View





## Satellite 2400 Series 15" TFT Part Numbers

Ref. #	Code	Part #	Description	PIR	Comments
	C1X9	PS240U-02S4H3	2400-S252/30 (02S4H3)		S2400-S252/30, WXP Home, 1.70GHz P4, 256MB, CD-RW/DVD, 15 TFT, Modem/LAN, (W/less Ready)
	C1X9	PS240U-02S4H3B	2400-S252 (02S4H3B) B-STK		S2400-S252/30, WXP Home, 1.70GHz P4, 256MB, CD-RW/DVD, 15 TFT, Modem/LAN, (W/less Ready), Remf
	C1X9	PS240U-02S4H7	2400-S251/30 (02S4H7)		S2400-S251/30, WXP Pro, 1.70GHz P4, 256MB, CD-RW/DVD, 15 TFT, Modem/LAN, (W/less Ready)
	C1X9	PS240U-02S4H7B	2400-S251 (02S4H7B) B-STK		S2400-S251/30, WXP Pro, 1.70GHz P4, 256MB, CD-RW/DVD, 15 TFT, Modem/LAN, (W/less Ready), Remf
	C1X9	PS240U-02S4H7W	2400-S251/30 (02S4H7W)		S2400-S251/30, WXP Pro, 1.70GHz P4, 256MB, CD-RW/DVD, 15 TFT, Modem/LAN, (Office XP SB), (W/less Ready)
	C1X9	PS240U-02S4H7WB	2400-S251 (02S4H7WB) B-STK		S2400-S251/30, WXP Pro, 1.70GHz P4, 256MB, CD-RW/DVD, 15 TFT, Modem/LAN, (Office XP SB), (W/less Ready), Remf
	C1X9	PS240U-02S4H7X	2400-S251/30 (02S4H7X)		S2400-S251/30, WXP Pro, 1.70GHz P4, 256MB, CD-RW/DVD, 15 TFT, Modem/LAN, (Office XP Pro), (W/less Ready)
	C1X9	PS240U-02S4H7XB	2400-S251 (02S4H7XB) B-STK		S2400-S251/30, WXP Pro, 1.70GHz P4, 256MB, CD-RW/DVD, 15 TFT, Modem/LAN, (Office XP Pro), (W/less Ready), Remf
	C1Y0	PS240U-02S2X7	2400-S251/30 (02S2X7)		S2400-S251/30, WXP Pro, 1.70GHz P4, 256MB, CD-RW/DVD, 15 TFT, Modem/LAN, Wi-Fi LAN
	C1Y0	PS240U-02S2X7B	2400-S251 (02S2X7B) B-STK		S2400-S251/30, WXP Pro, 1.70GHz P4, 256MB, CD-RW/DVD, 15 TFT, Modem/LAN, Wi-Fi LAN, Remf
	C1Y1	PS240U-02S4HPNC	2400-S251/30 (02S4HPNC)		S2400-S251/30, WXP Pro, 1.70GHz P4, 256MB, CD-RW/DVD, 15 TFT, Modem/LAN, (W/less Ready), Sp
	C604	PS240U-054ZVX	2405-S221/30 (054ZVX)		S2405-S221/30, WXP Home, 1.60GHz P4, 256MB, CD-RW/DVD, 15 TFT, Modem/LAN, Wi-Fi LAN, (Best Buy)
	C604	PS240U-054ZVXB	2405-S221 (054ZVXB) B-STK		S2405-S221/30, WXP Home, 1.60GHz P4, 256MB, CD-RW/DVD, 15 TFT, Modem/LAN, Wi-Fi LAN, (Best Buy), Remf
OP01	C1Y1	KTT3614/128	MEM MODULE, 128MB		Kingston 128MB PC2100 DDR Memory Module
OP01-A	C1X9	KTT3614/256	MEM MODULE, 256MB		Kingston 256MB PC2100 DDR Memory Module
OP02	C1X9	PA3083U-1ACA	UNIV AC ADAPTER		Input:100V-240V, 1.2A-0.6A, 50-60Hz, Output:15VDC, 5A, 75 watt,(U,C,Z)
OP02A	C1X9	P000337890	AC ADAPTER		Input: 100V-240V, 1.2A-0.6A, 50-60Hz, Output: 15VDC, 5A (UA2042P02)
OP02B	C1X9	P000327770	AC CORD SET		(U, C, Z)
OP03	C1Y1	PA3107U-1BRS	BATTERY PACK		Lithium-Ion 10.8VDC, 4500mAh, with Recycle Label, (U,E)
OP03A	C1X9	P000324210	BATTERY PACK		Lithium-Ion 10.8VDC, 4500mAh, with Recycle Label, XM2033P02, (U,E)
OP03A-1	C1X9	P000337840	BATTERY PACK		Lithium-Ion 10.8VDC, 4500mAh, with Recycle Label, XM2040P02 (U,E,Z)
OP03A-2	C1X9	P000350480	BATTERY PACK		Lithium-Ion 10.8VDC, 4500mAh, with Recycle Label (U,E,Z)
OP04	C1Y1	PA2488U	BATT CHARGER (MAIN)		For Main Battery Pack
OP05	C1X9	PA3212U-1MPC	WIRELESS LAN CARD KIT		
OP05A	C604	P000339520	WIRELESS LAN CARD		Agere Systems MPC13A-20/R, ZA2314P04
S01	C604	P000300290	T SCREW, M2.5X6		
S02	C1X9	P000318000	TG SCREW, M2.5X4BN		Black, Flat-Head (low profile) screw
S03	C1X9	P000207940	SCREW, M2X6		
S04	C1X9	P000317990	TG SCREW, M2.5X6BN		
S05	C604	P000274010	T GRIP SCREW, M2X5C		
S06	C1X9	P000290500	GRIP SCREW, M2.5X16Z		Black Grip Screw
S07	C1Y1	P000227770	SCREW, M2.5X2.6BN		Black, Flat-Head (low profile) screw
S08	C604	P000322980	GRIP SCREW, M2.5X25BN		
S09	C1X9	P000273730	T GRIP SCREW, M2X4Z		Zinc (gold) flat-head (low profile head) screws
S10	C1Y0	P000239510	GRIP SCREW, M2.5X5Z		
S11	C1X9	P000315550	TG SCREW, M2.5X2.8B		
S12	C604	P000273850	T GRIP SCREW, M2X3C		Silver, Flat-Head (low profile) screw
S13	C1X9	P000339380	THIN SCREW, M3X4Z		Silver, Flat-Head (low profile) screw
S14	C1X9	P000261770	GRIP SCREW, M2X12Z		
1	C1Y0	P000347320	PCB ASSY FRTSI2		System Board, without CPU, without memory, A5A000258010
1A	C1Y0	P000323270	CARDBUS CONNCTOR		PC Card Connector, G36220279179
2	C1Y0	P000347330	PCB ASSY FRTSD1		Sound Board, A5A000233010
3	C604	P000347340	PCB ASSY FRTBA1		Battery (Battery Terminal) Board, G70C00004210
4	C1Y0	P000347350	PCB ASSY FRTHD1		HDD Connector Board (contains W-LAN switch), G70C00005210
5	C604	P000347360	PCB ASSY FRTPW1		Power Switch Board, G70C00006210
6	C1Y0	P000347370	PCB ASSY FRTCW1		CD Switch Board, G70C00007210
7	C604	P000341830	IC RH80532GC025		Intel 1.6GHz P4, RH80532GC025512 SL5YU, GDM460000077
7-1	C604	P000350180	IC RH80532NC025		Intel 1.60GHz P4, RH80532NC025512 SL6EX, GDM460000207
7-A	C1X9	P000343190	IC RH80532GC029		Intel 1.7GHz P4, RH80532GC029512 SL527, GDM460000078
8-A	C1Y0	P000335630	256MB SO DIMM		DDR-DRAM, Approved makes =Toshiba, Samsung, Elpida, HYS-Hyundia, Hynix
9	C604	P000322090	MDC MODEM		Modem Daughter Card, Askey Computer 1456VQL4 (INT), ZA2300P06
10	C1Y0	P000339520	WIRELESS LAN CARD		Agere Systems MPC13A-20/R, ZA2314P04
11	C1X9	P000347380	COLOR LCD MODULE		Toshiba LTM15C425L, 15.0 XGA TFT, VF2043P02
11A	C1Y1	P000350720	FL TUBE SET		
12	C1X9	P000347390	COLOR LCD MODULE		Sharp LQ150X1LH66, 15.0 XGA TFT, VF2051P02
12A	C1X9	P000334870	FL LAMP		
12B	C604	P000334880	COVER, SC		
12C	C1X9	P000334890	COVER, G		
12D	C1X9	P000350730	TAPE		
12E	C1Y1	P000345580	SCREW, M2X2.3		
12F	C1X9	P000350740	SCREW, M2X2.3		
12G	C604	P000350750	TAPE1		
12H	C604	P000350760	TAPE2		
12I	C1X9	P000312150	AL TAPE		
13	C1X9	P000347400	COLOR LCD MODULE		Samsung LT150X3-134,15.0 XGA TFT, VF2041P02
13A	C1X9	P000350770	FL TUBE		
13B	C1X9	P000302200	SCREW, M2X1.7		
13C	C1X9	P000302210	T SCREW, M2X2.5		
13D	C1X9	P000302220	BACK COVER		
13E	C1X9	P000302230	AL TAPE		
13F	C1Y0	P000335030	PCB COVER		

**Satellite 2400 Series Part 15" TFT Numbers, (cont.)**

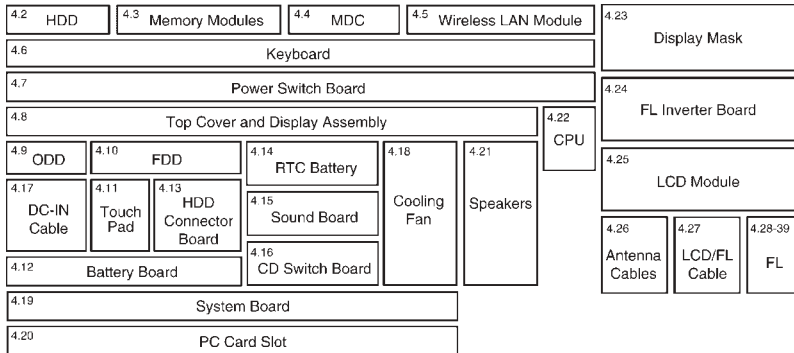
Ref. #	Code	Part #	Description	PIR	Comments
13G	C1X9	P000302260	T SCREW, M1.7X2.8		
13H	C1X9	P000350780	TAPE		
14	C1X9	P000347410	COLOR LCD MODULE		LG.Philips LP150X04(D2), 15.0 XGA TFT, G33C00006110
14A	C1Y1	P000350790	FL TUBE SET		
15-16	C1X9	(RESERVED)			
17	C1X9	P000347420	FL INVERTER		UA2024P04
18	C1Y0	P000341840	HDD UNIT (30GB)		Toshiba, MK30KEF, HDD2169B
18-1	C1X9	P000341850	HDD UNIT (30GB)		IBM IC25N030ATCS04 (ATD04T), P/N: 07N8326, 07N9318, G8BC00004210
18-2	C1X9	P000343820	HDD UNIT (30GB)		Hitachi DK23DA-30F, G8BC00006210
19	C1X9	P000341670	CD-RW/DVD-ROM		Toshiba SD-R2102, ZA2430P12
19-1	C604	P000347430	CD-RW/DVD-ROM		Panasonic (KME - Kyushu Matsushita Electric) UJDA720, ZA2431P02
20	C604	P000347440	FDD UNIT		Teac FD05HG-7778, G8AC00002210, requires P000347760
20-1	C1X9	P000349920	FDD UNIT	CEH	Samsung SFD-321S/TB1 G8AC00007110, requires P000347760
20-A	C1X9	P000347450	FDD UNIT		Mitsumi D353F3X/R-3220, G8AC00003110, requires P000349670
21	C1Y0	P000347760	1.0MM PITCH FFC		FDD Cable for Teac or Samsung FDD
21-A	C1Y1	P000349670	1.0MM PITCH FFC		FDD Cable for Mitsumi FDD
22	C604	P000347460	RJ11 HARNESS		
23	C1X9	P000220300	MODULAR CABLE		Modem Cable
24	C1X9	P000347470	AC ADAPTER		
25	C1Y0	P000331520	RTC BATTERY		Lithium Ion, 3.6V, 15mAh
26	C1Y1	P000347480	0.5MM PITCH FFC		Cable between Sound Board and System Board
27	C1X9	P000347490	0.5MM PITCH FFC		Cable between Sound Board and System Board
28	C1X9	P000347500	0.5MM PITCH FFC		Cable between Sound Board and CD Switch Board
29	C1X9	P000347510	0.5MM PITCH FFC		
30	C1X9	P000347520	0.5MM PITCH FFC		Cable between Touch Pad and System Board
31	C1X9	P000347530	BATTERY HARNESS		Cable between Battery Board and System Board
32	C604	P000347540	DC JACK HARNESS		DC-In Cable
33	C1X9	P000347550	DC FAN		Cooling Fan Module, apply grease to CPU before installing Cooling Mod.
34	C1Y0	P000347560	FIN		Heatsink unit, apply grease to chip before installing
35	C1Y0	P000347570	TOUCH PAD		
36	C1X9	(RESERVED)			
37	C1Y1	P000337840	BATTERY PACK		Lithium-Ion 10.8VDC, 4500mAh, with Recycle Label, XM2040P02 (U E,Z)
37-1	C1Y0	P000350480	BATTERY PACK		Lithium-Ion 10.8VDC, 4500mAh, with Recycle Label (U,E,Z)
38	C1Y0	P000347580	KEYBOARD UNIT		Minebea WLJ-5508W, G83C0000E210, (U)
38-A	C1Y1	UE2024P36KB-SP	KEYBOARD UNIT, SP		Spanish Keyboard, for Latin America units
39	C1X9	P000327770	AC CORD SET		(U, C, Z)
40	C1X9	P000347590	BASE ASSY		For units with letter C stamped on Base in battery compartment area
40-A	C1X9	P000348470	BASE ASSY		For units with letter D stamped on Base in battery compartment area
40-B	C1X9	P000349710	BASE ASSY		For units with letter P stamped on Base in battery compartment area
40A	C1X9	P000347970	FIR COVER		For units with letter C stamped on Base in battery compartment area
40A-A	C1Y0	P000348530	FIR COVER		For units with letter D stamped on Base in battery compartment area
40A-B	C1X9	P000349770	FIR COVER		For units with letter P stamped on Base in battery compartment area
40B	C1X9	P000347980	BOTTOM CUSHION		
40C	C1X9	P000347990	HDD BRACKET		
40D	C1X9	P000222130	GUM CUSHION		
40E	C1X9	P000348000	MEMORY COVER ASSY		For units with letter C stamped on Base in battery compartment area
40E-A	C1X9	P000348540	MEMORY COVER ASSY		For units with letter D stamped on Base in battery compartment area
40E-B	C1Y0	P000349780	MEMORY COVER ASSY		For units with letter P stamped on Base in battery compartment area
40F	C604	P000348010	MINI PCI COVER		For units with letter C stamped on Base in battery compartment area
40F-A	C1X9	P000348550	MINI PCI COVER		For units with letter D stamped on Base in battery compartment area
40F-B	C1X9	P000349790	MINI PCI COVER		For units with letter P stamped on Base in battery compartment area
40G	C1X9	P000348020	MDC COVER		Modem Slot Cover, For units with letter C stamped on Base
40G-A	C1X9	P000348560	MDC COVER		Modem Slot Cover, For units with letter D stamped on Base
40G-B	C1X9	P000349800	MDC COVER		Modem Slot Cover, For units with letter P stamped on Base
40H	C1Y0	P000348030	BATT COVER ASSY		For units with letter C stamped on Base in battery compartment area
40H-A	C1X9	P000348570	BATT COVER ASSY		For units with letter D stamped on Base in battery compartment area
40H-B	C1X9	P000349810	BATT COVER ASSY		For units with letter P stamped on Base in battery compartment area
40I	C1X9	P000348040	REAR CONN. COVER		For units with letter C stamped on Base in battery compartment area
40I-A	C1Y0	P000348580	REAR CONN. COVER		For units with letter D stamped on Base in battery compartment area
40I-B	C1X9	P000349820	REAR CONN. COVER		For units with letter P stamped on Base in battery compartment area
40J	C1X9	P000348050	HDD COVER ASSY		For units with letter C stamped on Base in battery compartment area
40J-A	C1Y0	P000348590	HDD COVER ASSY		For units with letter D stamped on Base in battery compartment area
40J-B	C1X9	P000349830	HDD COVER ASSY		For units with letter P stamped on Base in battery compartment area
41	C1X9	P000347600	CONNECT HOLDER ASSY		Plastic Brace
42	C1X9	P000347610	FRONT COVER ASSY		For units with letter C stamped on Base in battery compartment area
42-A	C1Y0	P000348480	FRONT COVER ASSY		For units with letter D stamped on Base in battery compartment area
42-B	C1X9	P000349720	FRONT COVER ASSY		For units with letter P stamped on Base in battery compartment area
43	C1X9	P000347620	BATT CONN. COVER		
43A	C1X9	P000343570	SPRING, BATT SAFETY		
44	C1X9	P000347630	CPU HOLDER		
45	C1X9	P000347640	W'LESS LAN SW. KNOB		For units with letter C stamped on Base in battery compartment area
45-A	C1X9	P000348490	W'LESS LAN SW. KNOB		For units with letter D stamped on Base in battery compartment area

**Satellite 2400 Series Part 15" TFT Numbers, (cont.)**

Ref. #	Code	Part #	Description	PIR	Comments
45-B	C1Y1	P000349730	W'LESS LAN SW. KNOB		For units with letter P stamped on Base in battery compartment area
46	C604	P000283510	CPU STUD		M2.5X6 Stud Screw
47	C1X9	P000309450	HEXA STUD		M2.5X14 Stud Screw
48-49	C1X9	(RESERVED)			
50	C604	P000347650	COVER ASSY		For units with letter C stamped on Base in battery compartment area
50-A	C1Y0	P000348500	COVER ASSY		For units with letter D stamped on Base in battery compartment area
50-B	C1X9	P000349890	COVER ASSY		For units with letter P stamped on Base in battery compartment area
50A	C1X9	P000347780	COVER SUB ASSY		Top Cover, For units with letter C stamped on Base
50A-A	C1X9	P000348600	COVER SUB ASSY		Top Cover, For units with letter D stamped on Base
50A-B	C1X9	P000349840	COVER SUB ASSY		Top Cover, For units with letter P stamped on Base
50AA	C1Y0	P000347790	LCD CUSHION		
50AB	C1Y0	P000347800	TCH PAD BUTTON, WHEEL		For units with letter C stamped on Base in battery compartment area
50AB-A	C1X9	P000348610	TCH PAD BUTTON, WHEEL		For units with letter D stamped on Base in battery compartment area
50AB-B	C1X9	P000349850	TCH PAD BUTTON, WHEEL		For units with letter P stamped on Base in battery compartment area
50B	C1X9	P000347810	LCD COVER ASSY		For units with letter C stamped on Base in battery compartment area
50B-A	C1X9	P000348620	LCD COVER ASSY		For units with letter D stamped on Base in battery compartment area
50B-B	C604	P000349910	LCD COVER ASSY		For units with letter P stamped on Base in battery compartment area
50BA	C1X9	P000347820	LCD LATCH HOOK		For units with letter C stamped on Base in battery compartment area
50BA-A	C1Y0	P000348630	LCD LATCH HOOK		For units with letter D stamped on Base in battery compartment area
50BA-B	C1X9	P000349870	LCD LATCH HOOK		For units with letter P stamped on Base in battery compartment area
50BB	C1Y0	P000347830	SENSOR SW. MAGNET		
50BC	C1X9	P000347840	D STICK TAPE		
50C	C1X9	P000347850	BRAKE HINGE, RIGHT		
50D	C1Y0	P000347860	BRAKE HINGE, LEFT		
50E	C1X9	P000347870	BH UPPER INSULATOR		Brake Hinge Upper Insulator
50F	C1Y1	P000347880	SPEAKER, LEFT		
50G	C1X9	P000347890	SPEAKER, RIGHT		
50H	C1X9	P000347900	ANTENNA CABLE		Wireless LAN Antenna
50I	C604	P000350330	LCD HARNESS		
50J	C1X9	P000347920	CABLE HOLDER		For units with letter C stamped on Base in battery compartment area
50J-A	C1X9	P000348640	CABLE HOLDER		For units with letter D stamped on Base in battery compartment area
50J-B	C1X9	P000349880	CABLE HOLDER		For units with letter P stamped on Base in battery compartment area
50K	C1X9	P000347930	CABLE EARTH PLATE		
50L	C604	P000347940	HARNESS HOLDER		
50M	C1Y1	P000347950	CUSHION TAPE		
50N	C1X9	P000347960	TOSHIBA BADGE		for Display Cover
51	C604	P000347660	LCD MASK ASSY		For units with letter C stamped on Base in battery compartment area
51-A	C1Y0	P000348510	LCD MASK ASSY		For units with letter D stamped on Base in battery compartment area
51-B	C604	P000349900	LCD MASK ASSY		For units with letter P stamped on Base in battery compartment area
51A	C1X9	P000312850	LCD CUSHION		
51B	C1Y0	P000322780	TOSHIBA BADGE		For Display Mask
51C	C1X9	P000322790	LCD GUM CUSHION		
52	C1X9	P000347670	SCREW SEAL		
53	C1Y1	P000333940	LCD MASK SEAL		
54	C604	P000347680	LCD SUPPORT 15		
55	C1X9	(RESERVED)			
56	C1Y0	P000347690	KEYBD HOLDER ASSY		Keyboard Brace, For units with letter C stamped on Base
56-A	C1Y1	P000348520	KEYBD HOLDER ASSY		Keyboard Brace, For units with letter D stamped on Base
56-B	C604	P000349760	KEYBD HOLDER ASSY		Keyboard Brace, For units with letter P stamped on Base
57	C1X9	P000347700	PRODUCT BADGE		
58-59	C1Y0	(RESERVED)			
60	C1Y0	P000347710	SUPPORT PLATE		Metal Plate
61	C604	P000347720	KEYBD HOLDER PLATE		
62-63	C604	(RESERVED)			
64	C1Y0	P000347730	HDD HOLDER ASSY		HDD Bracket
65	C1X9	P000316400	HDD INSULATOR		
66	C1X9	P000347740	ODD REAR BRACKET		Optical Disk Drive Rear Bracket
67	C1X9	P000347750	ODD SIDE BRACKET		Optical Disk Drive Side Bracket
68	C1X9	(RESERVED)			
69	C1X9	P000347770	FDD BRACKET ASSY		
70	C1Y1	(RESERVED)			
71	C1X9	P000316910	CHINA LABEL		
72	C1Y0	P000319730	LITHUANIA LABEL		
73	C1Y0	P000320520	CARD LABEL		
74-79	C1X9	(RESERVED)			
80	C1X9	(NOT AVAILABLE)			

## Satellite 2400 Series Disassembly Overview

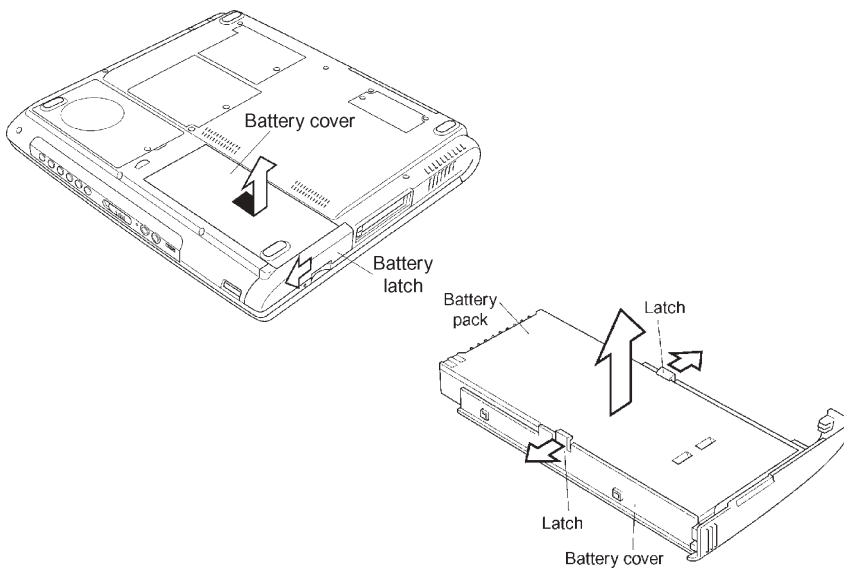
The information offered in this section is an overview of the Maintenance Manual, Chapter 4, Replacement Procedures. If you have any questions or concerns regarding the proper procedure please refer to the Maintenance Manual through the Toshiba Service and Support Website *before* you proceed.



This section explains how to remove Field Replaceable Units (FRUs). It may not be necessary to remove all the FRUs in order to replace one.

The chart is a guide to which FRUs need to be removed in order to remove others. The section numbers on the chart refer to the sections in the Maintenance Manual, Chapter 4.

Always start by removing the battery pack, next, optional items such as the optional PC card and optional memory module, then follow the line on the chart to determine which FRU you must remove next in order to repair the one you think is causing the computer to operate improperly.

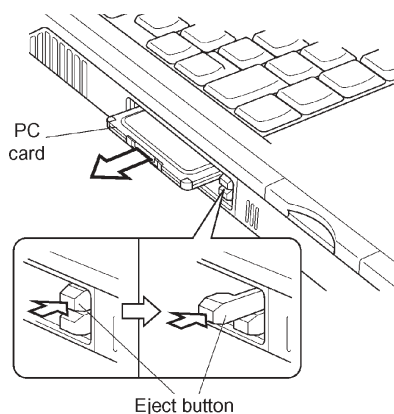


To remove the battery, follow the steps below.

**CAUTION:** When handling battery packs, be careful not to short circuit the terminals. Also do not drop, hit or otherwise apply impact; do not scratch or break the casing.

1. Turn the computer upside down.
2. Slide the **battery latch** to the left to release it, then pull the **battery cover** slightly forward and lift it out.
3. Lay the battery cover upside down. Push the latches to the outside and lift out the **battery pack**.

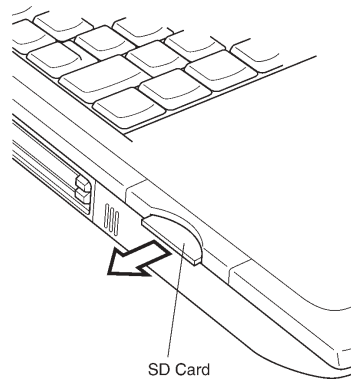
**NOTE:** For environmental reasons, do not throw away a spent battery pack. Please follow local ordinances or regulations for its disposal.



To remove an optional PC card, follow the steps below.

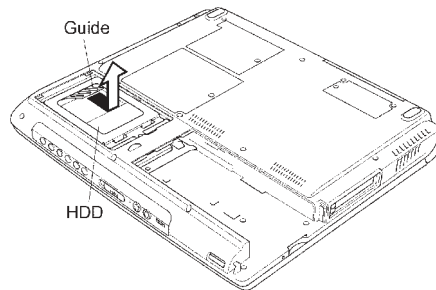
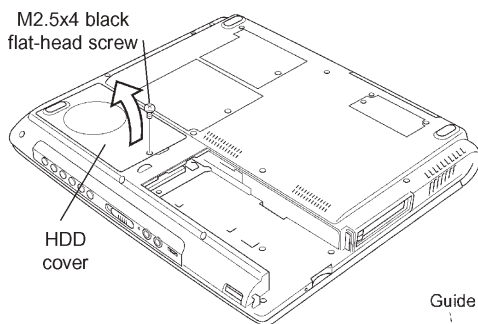
1. Turn the computer right side up.
2. Press the eject button for the PC card you want to remove, it will extend slightly.
3. Press the button again.
4. Grasp the PC card and remove it.

## Satellite 2400 Series Disassembly Overview, cont.



To remove an optional SD card, follow the steps below.

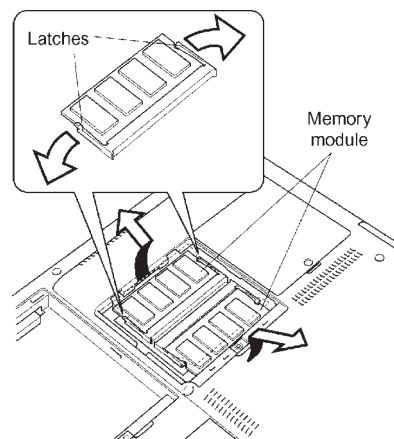
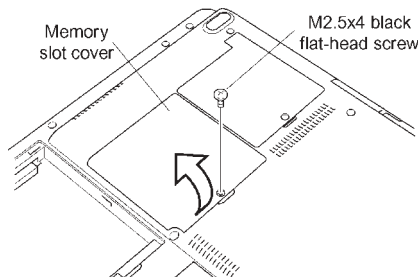
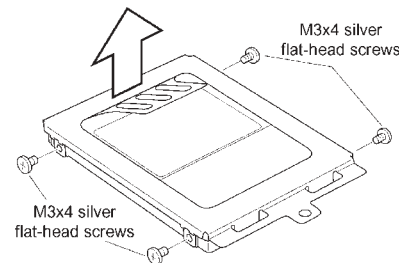
1. Turn the computer right side up.
2. Push the SD card in and release it to pop the card out slightly.
3. Grasp the SD card and remove it.



To remove the HDD, follow the steps below.

1. Turn the computer upside down.
2. Remove **one M2.5x4 black flat-head screw** securing the HDD cover.
3. Lift off the **HDD cover**.
4. Pull the guide to remove the **HDD**. Be careful not to damage the connector.
5. Place the HDD pack on a flat surface and remove four M2x4 silver flat-head screws.
6. Remove the HDD bracket.

**CAUTION:** Do not apply pressure to the top or bottom of the HDD.



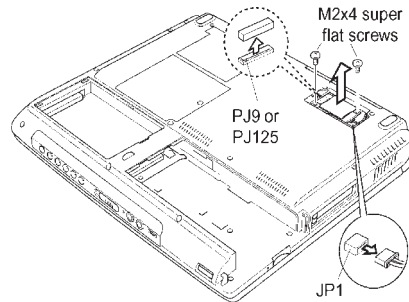
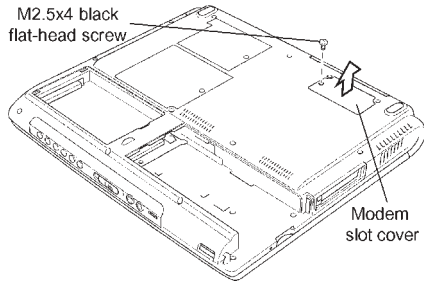
To remove a memory module, follow the steps below.

1. Turn the computer upside down.
2. Remove **one M2.5x4 black flat-head screw**.
3. Lift off the **memory slot cover**.
4. Gently press out on **two latches**. One end of the memory module will pop up.
5. Grasp the **memory module** and remove it.

**CAUTION:** Do not try to remove a memory module with the computer turned on. You can damage the computer and the memory.

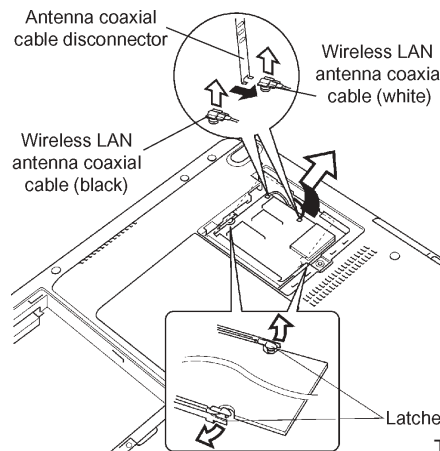
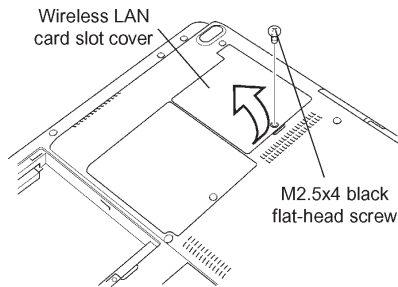
Do not touch the connectors on the memory module(s) or on the computer. Debris on the connectors may cause memory access problems.

## Satellite 2400 Series Disassembly Overview, cont.



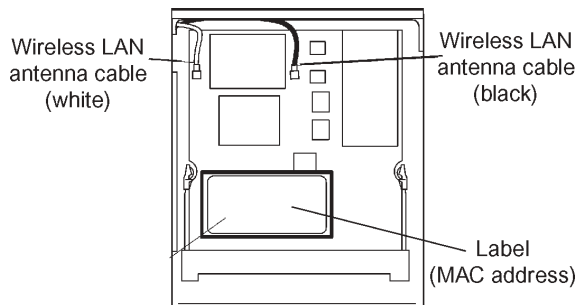
To remove the modem daughter card (MDC), follow the steps below.

1. Turn the computer upside down.
2. Remove **one M2.5x4 black flat-head screw**.
3. Lift off the **modem slot cover**.
4. Remove **two M2x4 super flat screws** securing the MDC.
5. Carefully lift up the MDC to disconnect it from **PJ9 (S1400) or PJ125 (S2400)** on the system board.
6. Carefully disconnect the **modem cable** from **JP1** on the MDC.



To remove the wireless LAN card, follow the steps below.

1. Remove **one M2.5x4 black flat-head screw**.
2. Lift off the Wireless LAN card **slot cover**.
3. Disconnect the **Wireless LAN antenna cables (black and white)** from the **Wireless LAN card** using an antenna coaxial cable disconnecter.
4. Push the **Wireless LAN card lock latches** outward to release the card. It will pop up to about a 45 degree angle.
5. Pull out the **Wireless LAN card**. Be careful not to damage the connector.



To install the wireless LAN card (an option in some models), follow the steps below.

**CAUTION:** Be sure to turn the computer off before removing the card. Otherwise, the computer or the card may be damaged.

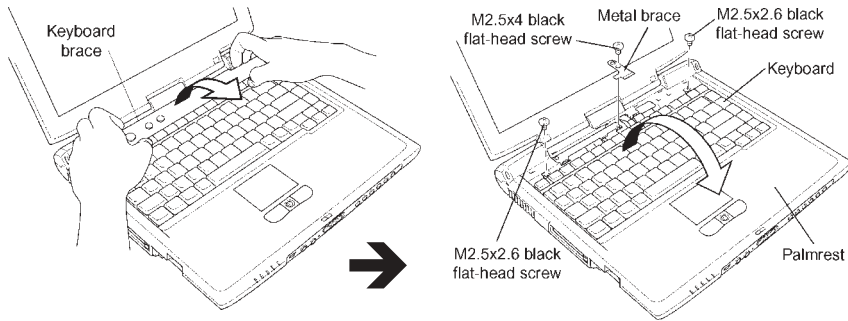
1. Insert the **Wireless LAN card** into the connector at an angle of 45 degrees.
2. Gently push the Wireless LAN card down until **latches** on both sides engage to hold it in place.
3. Connect the **Wireless LAN antenna (black and white) cables** to the connectors on the card.

**CAUTION:** Be sure the cables lie inside the guide. Be careful not to damage or pinch the cables when you seat the card.

4. Seat the **Wireless LAN card slot cover**.
5. Secure the cover with **one M2.5x4 black flat-head screw**.

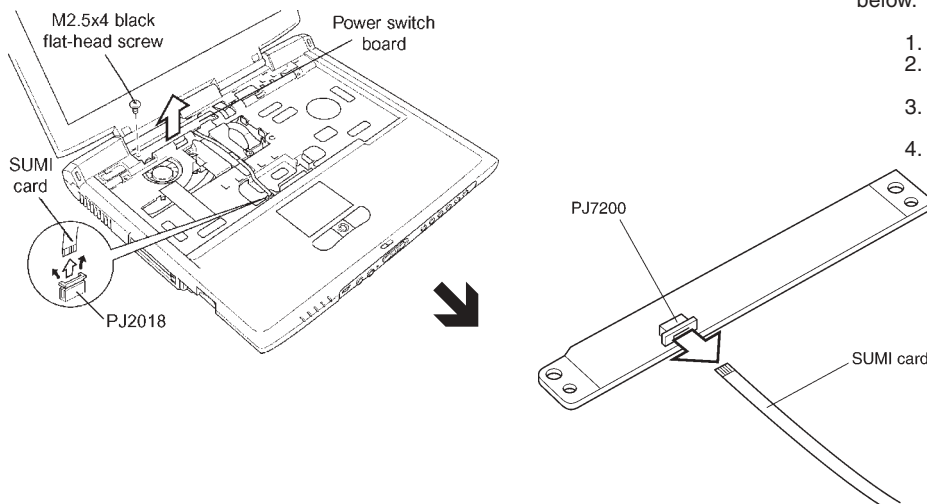
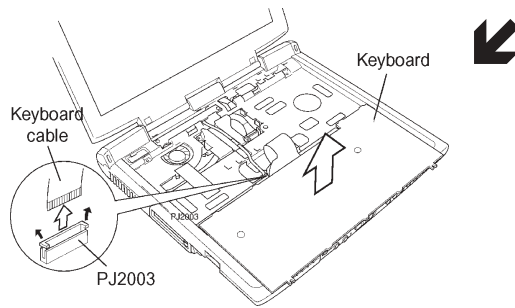
**CAUTION:** There are two MAC address barcode labels in the package with the card. Apply one label next to the **Wireless LAN socket** and one on the box the computer was shipped in. Remove old labels before applying the new ones. The computer may have **MAC address barcode labels** both wired and **Wireless LANs**. Be sure to replace the correct label.

## Satellite 2400 Series Disassembly Overview, cont.



To remove the keyboard, follow the steps below.

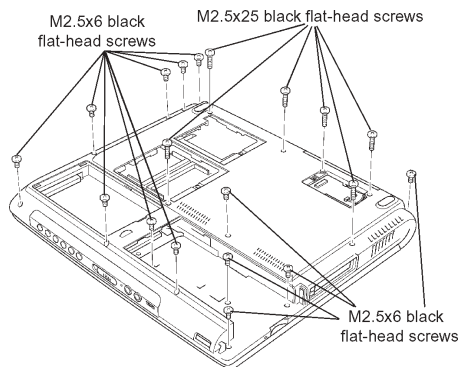
1. Open the display panel.
2. Insert the fingernails of both hands into **notches** in the keyboard brace and the computer, and pry up to release the brace at twelve points. Remove the brace.
3. Remove **one M2.5x4 black flat-head screw** securing the metal brace.
4. Remove **two M2.5x2.6 black flat-head screws**.
5. Rotate the keyboard out and lay it on top of the palmrest.
6. Disconnect the keyboard  **cable** from **PJ2003** on the system board and remove the **keyboard**.



To remove the power switch board, follow the steps below.

1. Disconnect the **SUMI card** from **PJ2018**.
2. Remove **one M2.5x4 black flat-head screw**.
3. Remove the **power switch board** and turn it over.
4. Disconnect the SUMI card from **PJ7200**.

To remove the **top cover with display assembly**, follow the steps below.

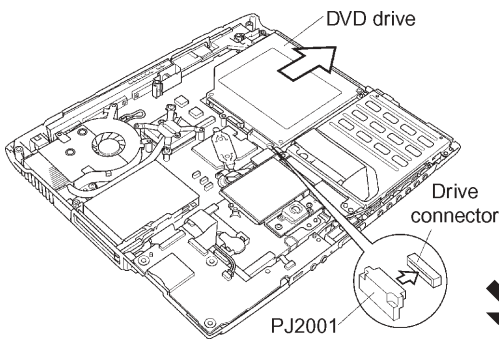
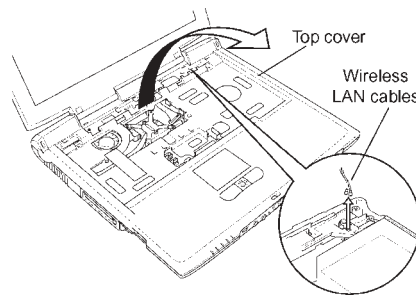
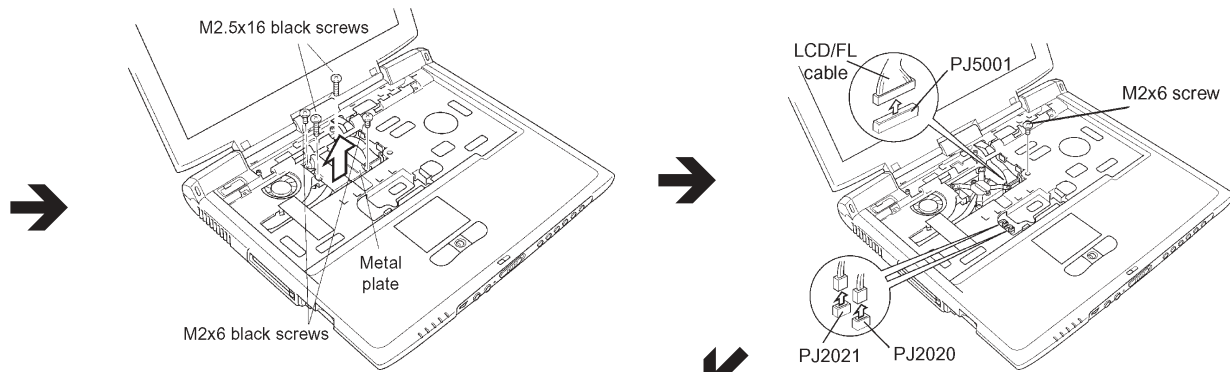


1. Turn the computer upside down and remove the following nineteen screws:
  - **Thirteen M2.5x6 black flat-head**
  - **Six M2.5x5 black flat-head**
2. Turn the computer right side up and open the display panel.
3. Remove **two M2.5x6 black screws** and **two M2.5x16 black screws**.
4. Remove the **metal plate**.
5. Disconnect the **LCD/DL cable** from **PJ5001** and the **speaker cables** from **PJ2020** and **PJ2021** on the system board.
6. Remove **one M2x6 screw** securing the **top cover**.
7. Remove the **top cover with display assembly** starting from the front. Be careful not to damage the wireless LAN antenna coaxial cables.



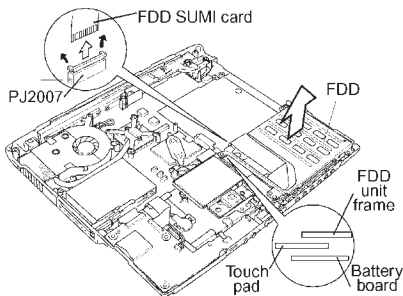
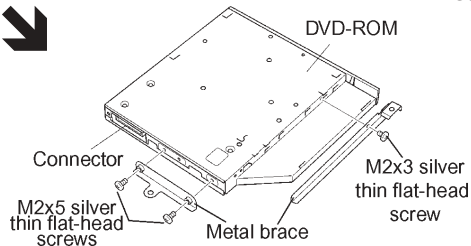
Images continued on the next page

## Satellite 2400 Series Disassembly Overview, cont.



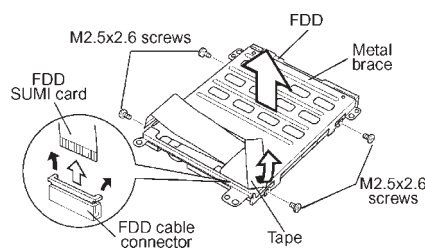
To remove the optical disk drive, follow the steps below.

1. Disconnect the **optical disk drive (DVD)** from **PJ2001** on the system board.
2. Carefully slide the drive to the right to remove it.
3. Remove **two M2x5 silver thin flat-head screws** and the short **metal brace**.
4. Remove **one M2x3 silver thin flat-head screw** and the long **metal brace**.



To remove the FDD, follow the steps below.

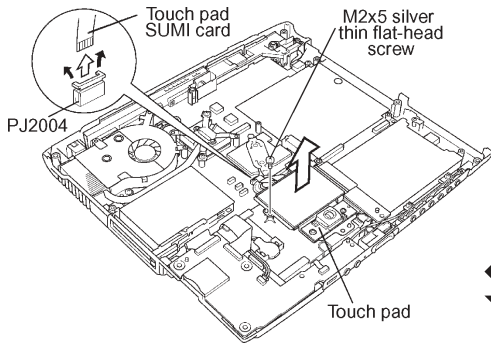
1. Disconnect the **FDD SUMI card** from **PJ2007** on the system board.
2. Lift out the FDD.
3. Remove **four M2.5x2.6 screws** securing the metal case to the FDD and remove the **metal case**.
4. Disconnect the **FDD DUMI card** from the **connector** of the FDD.



**NOTE:** Two types of SUMI cards are used; one manufactured by TEAC and SAMSUNG, and the other by MITSUMI.

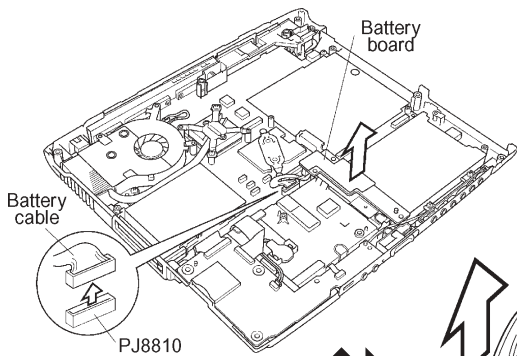
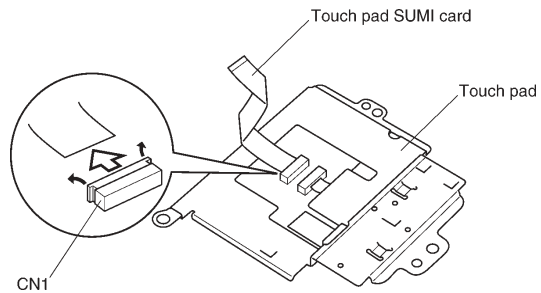


## Satellite 2400 Series Disassembly Overview, cont.



To remove the touch pad, follow the steps below.

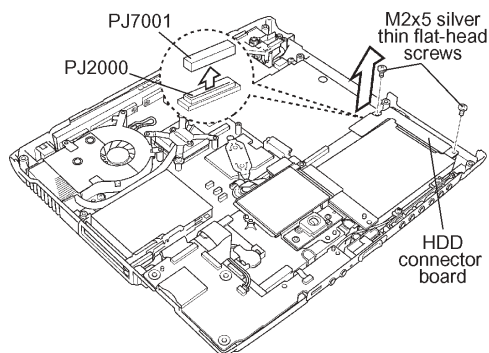
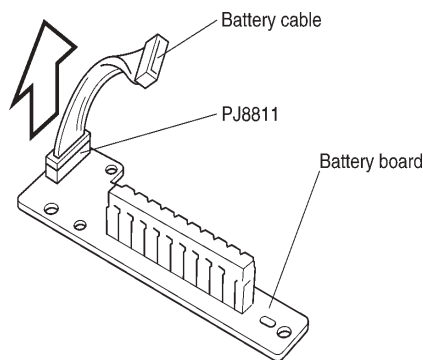
1. Disconnect the **touch pad SUMI card** from **PJ2004** on the system board.
2. Remove one **M2x5 silver thin flat-head screw** securing the touch pad.
3. Lift out the touch pad.
4. Disconnect the **touch pad SUMI card** from **CN1** on the touch pad.



To remove the battery board, follow the steps below.

1. Disconnect the **battery cable** from **PJ8810**.
2. Lift out the **battery board**.
3. Disconnect the battery cable from **PJ8811** on the battery board, if necessary.

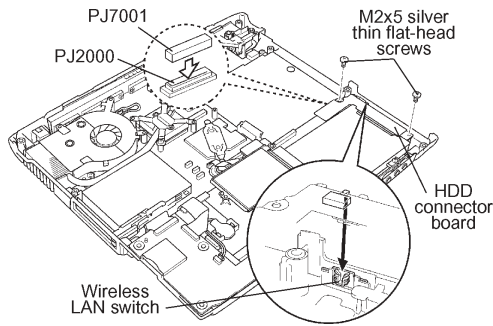
**NOTE:** On installation, be sure to route the battery cable under the battery board to avoid pinching the battery cable with the plastic cover.



To remove the HDD connector board, follow the steps below.

1. Remove **two M2x5 silver thin flat-head screws** securing the **HDD connector board**.
2. Carefully lift up the **HDD connector board** to disconnect it from **PJ2000** on the **system board**.
3. Lift out the **HDD connector board**.

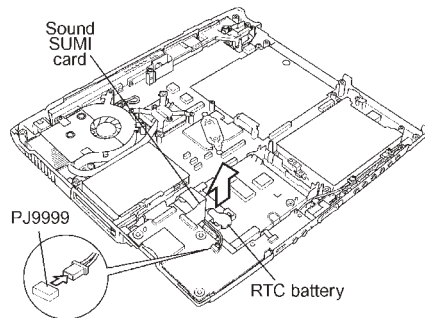
## Satellite 2400 Series Disassembly Overview, cont.



To install the HDD connector board, follow the steps below.

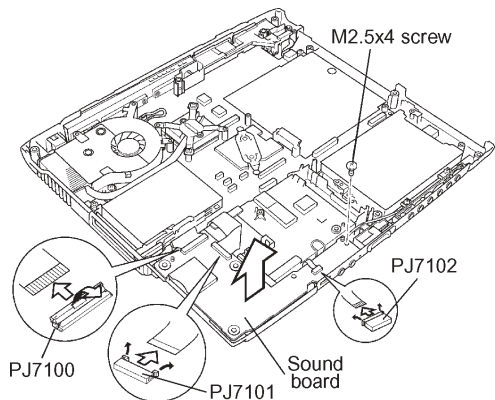
1. Seat the HDD connector board and carefully connect it to PJ2000 on the system board.
2. Secure the HDD connector board with two M2x5 silver thin flat-head screws.
3. Lift out the **HDD connector board**.

**CAUTION:** Be careful not to damage or pinch the FDD SUMI card when you seat the HDD connector board. Be sure the wireless LAN switch is in the correct position.



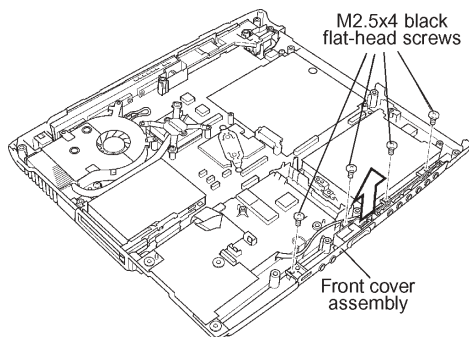
To remove the RTC battery, follow the steps below.

1. Disconnect the **RTC battery cable** from **PJ9999** on the sound board.
2. Lift out the **RTC battery**.



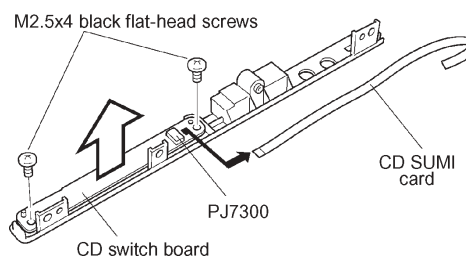
To remove the sound board, follow the steps below.

1. Disconnect the **sound SUMI card** from **PJ7100** and **PJ7101** on the sound board.
2. Disconnect the **CD switch board SUMI card** from **PJ7102** on the sound board.
3. Remove **one M2.5x4 screw** securing the sound board.
4. Lift up the **sound board**.

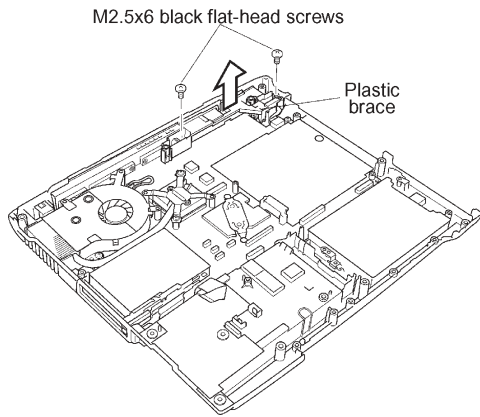


To remove the CD switch board, follow the steps below.

1. Remove **four M2.5x4 black flat-head screws** securing the front cover assembly.
2. Remove the **front cover assembly**.
3. Remove the **CD SUMI card** from **PJ7300** on the CD switch board.
4. Remove **two M2.5x4 black flat-head screws** securing the CD switch board.
5. Remove the **CD switch board** from the front cover assembly.

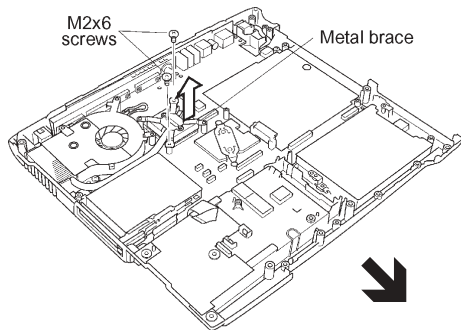
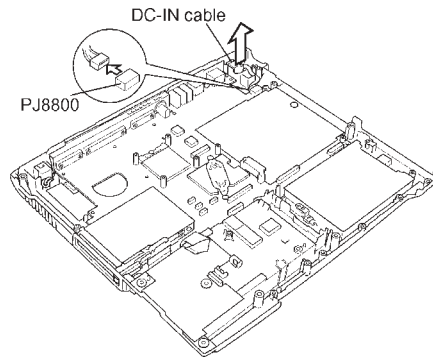


## Satellite 2400 Series Disassembly Overview, cont.



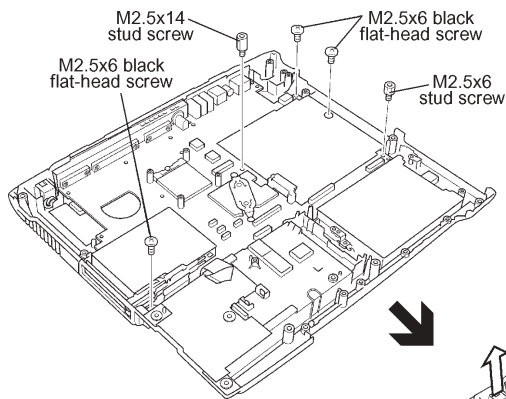
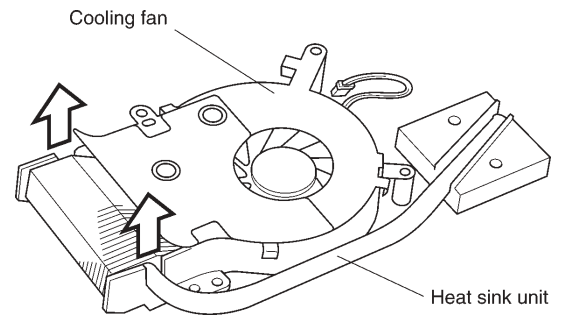
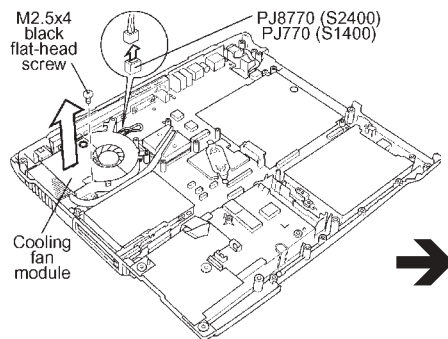
To remove the DC-IN cable, follow the steps below.

1. Remove **two M2.5x6 black flat-head screws** securing the plastic brace.
2. Remove the **plastic brace**.
3. Disconnect the **DC-IN cable** from **PJ8800** on the system board.
4. Remove the DC-IN cable.



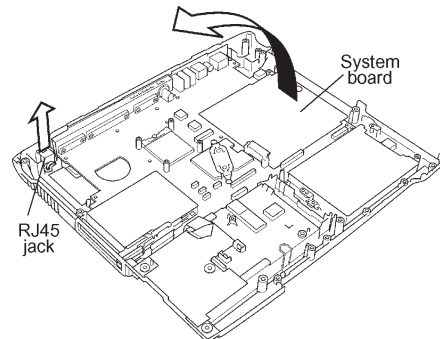
To remove the cooling fan, follow the steps below.

1. Remove **two M2x6 screws** securing the metal brace.
2. Remove the **metal brace**.
3. Disconnect the **power cable** from **PJ8770 (S2400)** or **PJ770 (S1400)** on the system board.
4. Remove **one M2.5x4 black flat-head screw** securing the cooling fan module.
5. Remove the **cooling fan module**.
6. Remove the **heat sink unit**, if necessary.

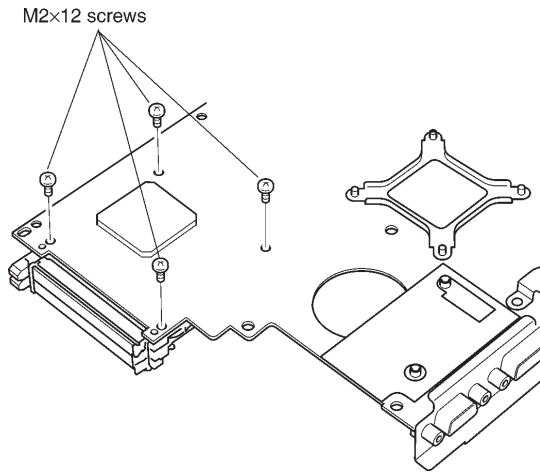


To remove the system board, follow the steps below.

1. Remove **three M2.5x6 black flat-head screws** securing the system board.
2. Remove the following two stud screws:
  - **One M2.5x6**
  - **One M2.5x14**
3. Lift up the **system board** from the right side and remove it with the **RJ-45 jack**.

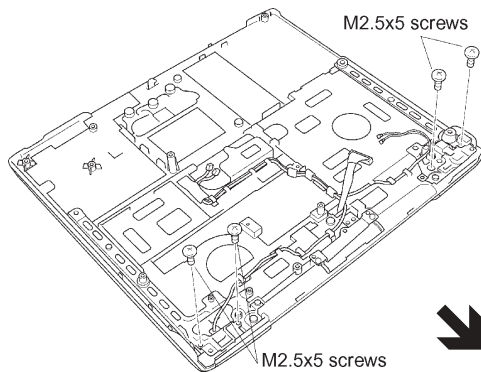
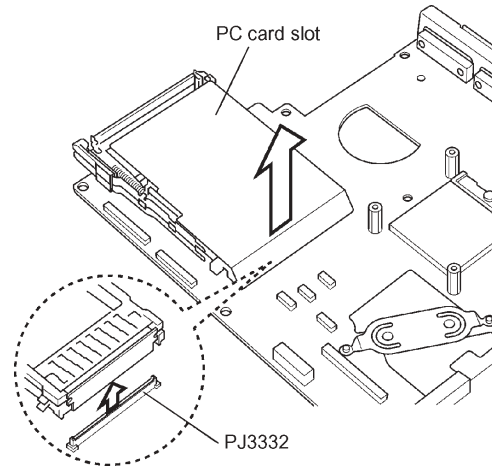


## Satellite 2400 Series Disassembly Overview, cont.



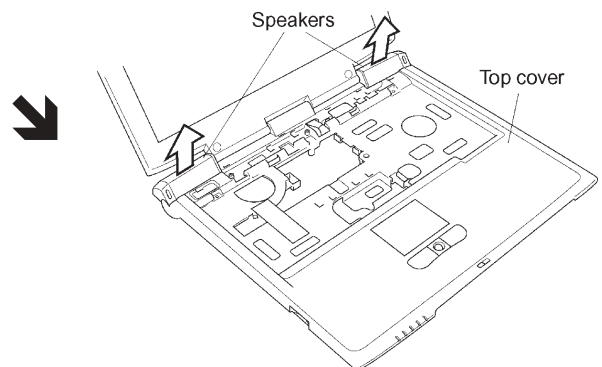
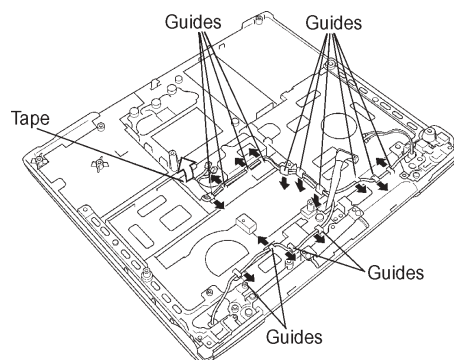
To remove the PC card slot, follow the steps below.

1. Lay the system board right side up.
2. Remove **four M2x12 screws** securing the PC card slot.
3. Lay the system board right side up.
4. Disconnect the **PC card slot** from **PJ3332**.

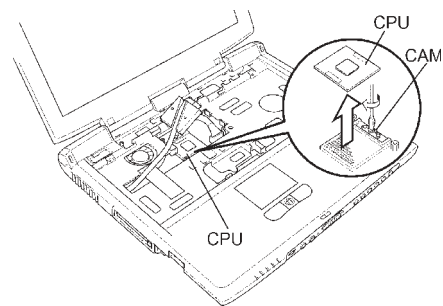
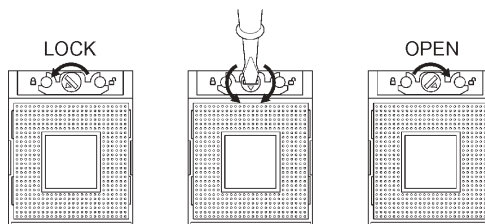
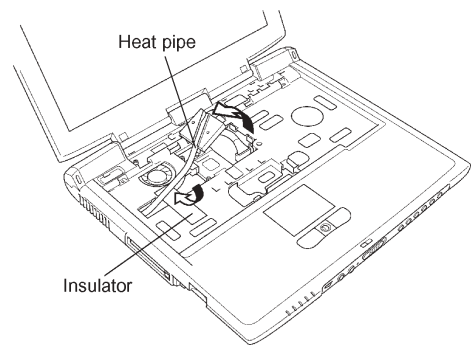
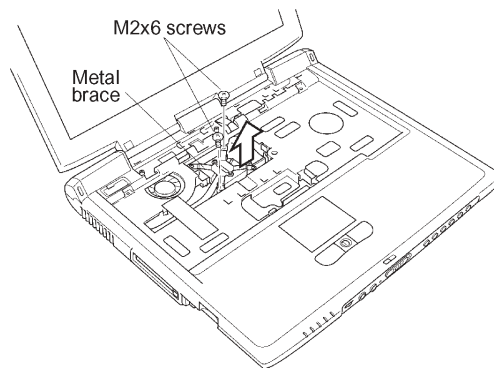
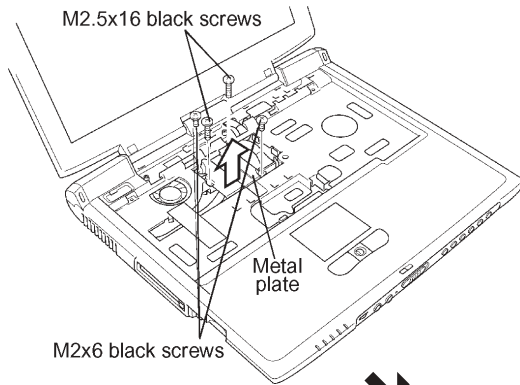


To remove the speakers, follow the steps below.

1. Lay the top cover and display assembly upside down.
2. Remove **four M2.5x5 screws** securing the speakers.
3. Remove the **tape** securing the **speaker cables**.
4. Free the speaker cables from their **guides**.
5. Remove the **speakers**.



## Satellite 2400 Series Disassembly Overview, cont.



To remove the CPU, follow the steps below.

1. Remove **two M2.5x6 black screws** and **two M2.5x16 black screws** securing the metal plate.
2. Remove the **metal plate**.
3. Remove **two M2x6 screws** securing the **metal brace** and lift it out.
4. Lift up the **heat pipe** and lay it on the insulator.
5. Turn the **cam** to the unlock position with a flat-blade screwdriver to unlock the CPU.
6. Lift up the **CPU**.

**CAUTION:** When you remove the CPU, wipe the grease off the bottom of the heat sink, the bottom of the cooling fan, and the top of the CPU.

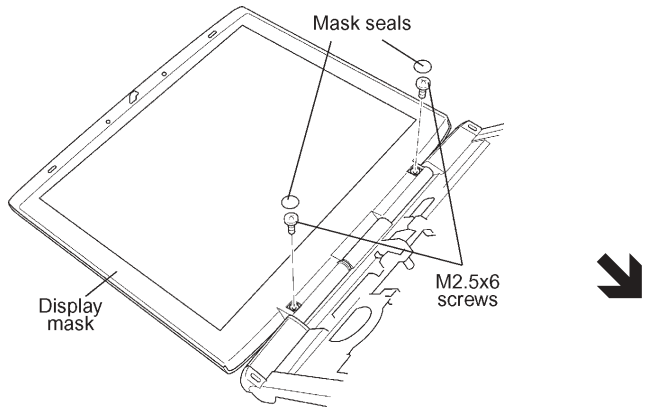
To install the CPU, follow the steps below.

1. Make sure the **cam** is in the open position.
2. Seat the **CPU** in the **CPU socket**. Be sure the alignment is exact to avoid damaging pins on the CPU.
3. Press the interposer gently with your fingers and turn the cam on the CPU socket to the **lock position** with a flat-blade screwdriver to secure the CPU.
4. Apply new grease on the CPU.
5. Seat the **heat pipe** on the CPU. Be sure the alignment is exact to avoid damaging pins on the CPU.
6. Secure the **metal brace** with **two M2x6 screws**.
7. Seat the **metal plate** and secure it with **two M2.5x6 black screws** and **two M2.5x16 black screws**.

**CAUTION:** When you install the CPU, apply new grease at the top of the chip. Be sure the bottom of the heat pipe covers the top of the CPU.

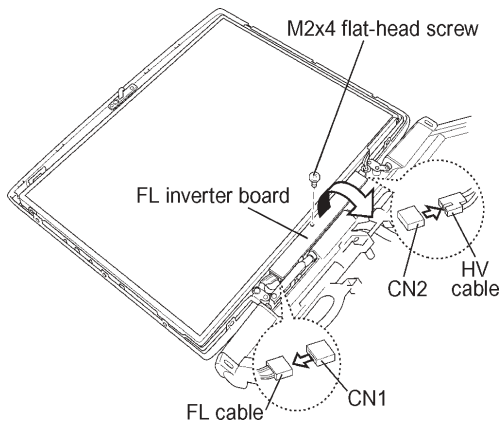
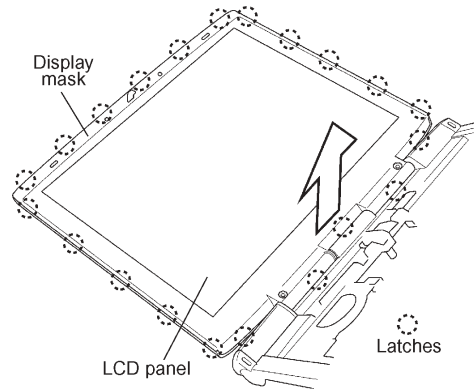


## Satellite 2400 Series Disassembly Overview, cont.



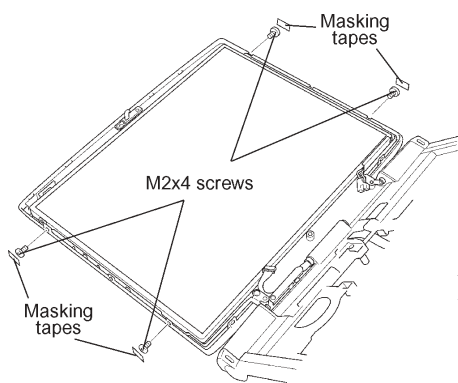
To remove the display mask, follow the steps below.

1. Remove two mask seals at the bottom corners of the display assembly.
2. Remove two M2.5x6 flat-head screws.
3. Release twenty-one latches on the display mask as follows:
  - Five on the bottom
  - Five on each side
  - Six on the top



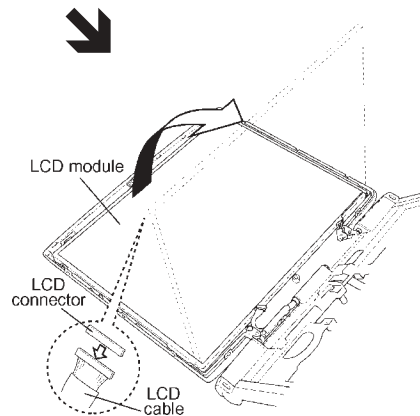
To remove the FL inverter board, follow the steps below.

1. Remove **one M2x4 flat-head screw** securing the FL inverter board.
2. Rotate the **FL inverter board** out and disconnect the **FL cable** from **CN1** on the FL inverter board.
3. Disconnect the **HV cable** from **CN2** on the FL inverter board.
4. Remove the FL inverter board.



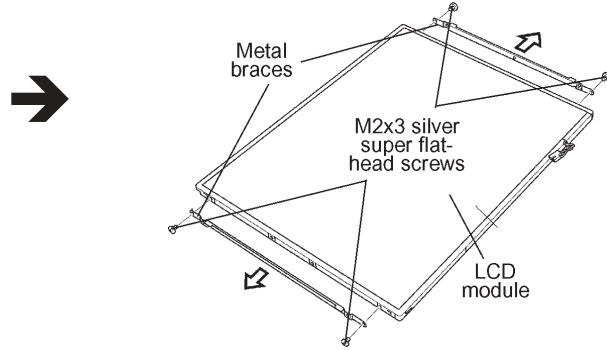
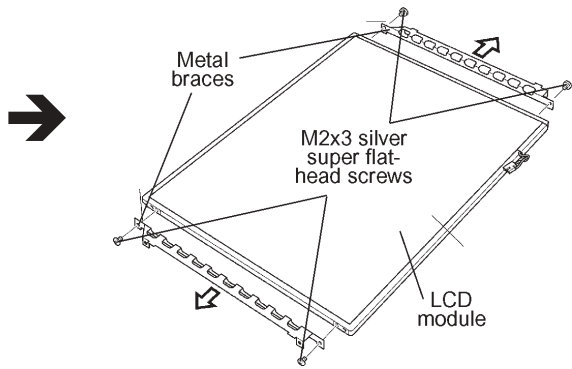
To remove the LCD module, follow the steps below.

1. Remove **four masking seals** that cover the screws.
2. Remove **four M2x4 screws** securing the LCD module.
3. Carefully rotate the top of the LCD module out to access the **LCD/FL cable**.
4. Remove the **tape** securing the LCD/FL cable.
5. Disconnect the LCD/FL cable.
6. Remove the **LCD module**.
7. Remove **four silver super flat-head M2x3 screws** securing **two metal braces**.



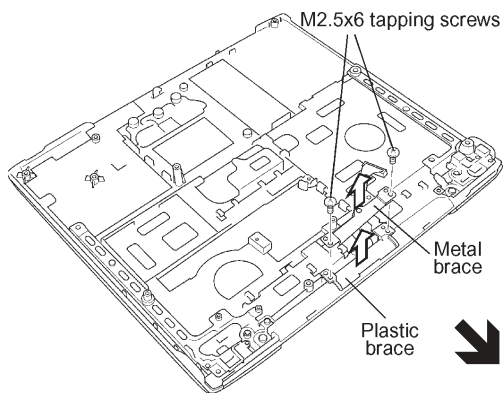
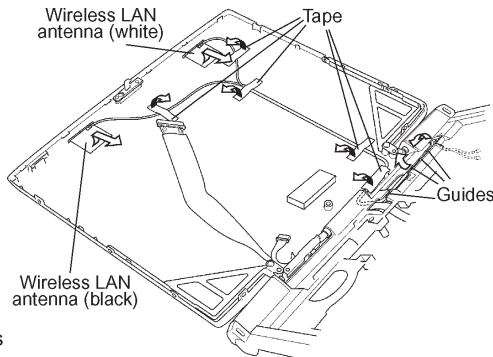
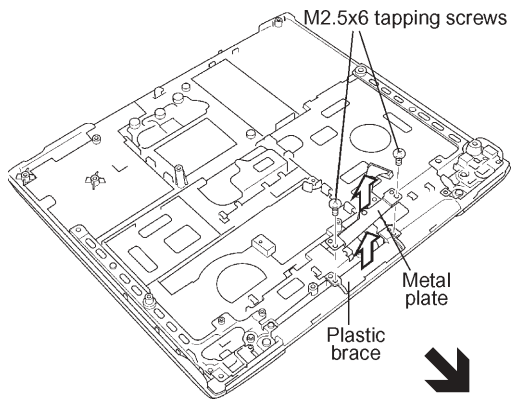
Images continued on the next page

## Satellite 2400 Series Disassembly Overview, cont.



To remove the antenna coaxial cables, follow the steps below.

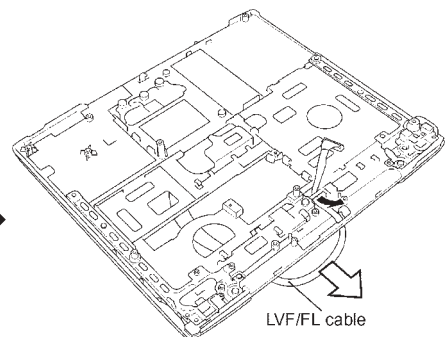
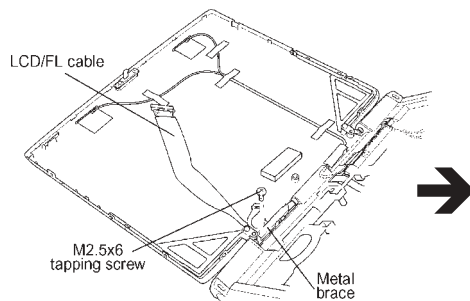
1. Remove **two M2.5x6 tapping screws** securing the metal plate.
2. Remove the **metal plate** and the **plastic brace**.
3. Slip tweezers into the side of the plastic brace and pry to release **two latches** and remove the bottom part of the plastic brace.
4. Remove the **tape** securing the wireless LAN antenna coaxial cables.
5. Free the **wireless LAN antenna coaxial cables** from their guides and remove them.



To remove the LCD/FL cable, follow the steps below.

1. Remove **two M2.5x6 tapping screws** securing the metal plate.
2. Remove the **metal plate** and the **plastic brace**.
3. Remove **one M2.5x6 tapping screw** securing the **metal brace**.
4. Remove the **LCD/FL cable**.

**NOTE:** When you remove the top cover, hold it by the sides close to the hinges to prevent damage.



## Satellite 2400 Series Interrupts / Memory Map

### Interrupt Assignments

Interrupt	Level	Assigned to:
—	NMI	RAM Parity Error, I/O Channel Error
1	0	Timer
	1	Keyboard
	2	PIC 2 for level 8 to 15
	3	COM 2/4*
	4	COM 1/3*
	5	LPT 2*, or Secondary IDE*
	6	FDC
	7	LPT 1/3*
2	8	RTC
	9	Modem 2nd IRQ*
	10	Reserved
	11	Reserved
	12	PS/2 Mouse
	13	Math co-processor
	14	Primary IDE*
	15	CD-ROM (ATAPI)*

\* These I/O assignments are controlled by PnP OS or system setup as shown below:

IRQ level	0	1	2	3	4	5	6	7	8	9	10	11	12	13	14	15
IDE				○	○	○		○		○	○	○			⊙	○
CD-ROM (ATAPI)				○	○	○		○		○	○	○			○	⊙
Serial Port				⊙	⊙	○		○		○	○	○			○	○
Modem 2nd IRQ						○		○		⊙	○					○
FIR				○	○	○		○		○	○	○			○	○
Parallel Port						○		○		○	○	○			○	○
PCI Bus				○	○	○		○		○	○	○				

⊙: Default setting, ○: Possible setting

### System Memory Map

Address range	Space (Kbytes)	Use
'00000000' to '0009FFFF'	640	Conventional memory
'000A0000' to '000BFFFF'	128	Video RAM
'000C0000' to '000CFFFF'	64	VGA BIOS-ROM
'000D0000' to '000EFFFF'	128	Not used (PCI/ISA)
'00F0000' to '000FFFFFF'	64	System BIOS ROM (Shadow RAM)
'00100000' to '03FDFFFF'	64,384	System working memory
'03FE0000' to '03FEFFFF'	64	ACPI
'03FF0000' to '03FFFFFF'	64	DMI
'04000000' to '0FFFFFFF'	196,608 (MAX.)	Optional working memory
'0A)000000' to 'FFFDFFFF'		Memory expansion in expansion port
'100A0000' to '100FFFFFF'	384	System Management RAM and etc
'FFFF0000' to 'FFFFFFFF'	1,024	BIOS-ROM (duplicated) and etc



## Satellite 2400 Series Input/Output Port Assignments

### Port Map

Port address	Device/function	Port address	Device/function
'000' to '01F'	82C37: DMA C #1	'2F8' to '2FF'	Serial Port* (COM 2)
'020' to '03F'	82C59: PIC #1	'300' to '30F'	Not used
'040' to '05F'	82C54: PIT	'310' to '32F'	Not used
'060' to '06F'	KBC / System Status	'330' to '337'	Not used
'070' to '07F'	RTC / NMI Mask Register	'338' to '36F'	Not used
'080' to '09F'	DMA Page Register	'370' to '375'	Not used
'0A0' to '0BF'	82C59: PIC #2	'376' to '377'	Secondary IDE
'0C0' to '0DF'	82C37: DMA C #2	'378' to '37F'	Parallel Port* (LPT1)
'0E0' to '0EF'	Special Register	'380' to '387'	Not used
'0F0' to '0FF'	Math Coprocessor	'388' to '38B'	Not used
'100' to '16F'	Not used	'38C' to '3AF'	Not used
'170' to '177'	Secondary IDE*	'3B0' to '3BB'	VGA
'178' to '1EF'	Not Used	'3BC' to '3BF'	Parallel Port* (LPT3)
'1F0' to '1F7'	Primary IDE*	'3C0' to '3DF'	VGA
'1F8' to '1FF'	Not used	'3E0' to '3E7'	PC Card Contoller
'200' to '207'	Not used	'3E8' to '3EF'	Serial Port* (COM3)
'208' to '21F'	Not used	'3F0' to '3F5'	FDC
'220' to '233'	Sound (SB Pro)	'3F6'	Primary IDE
'234' to '23F'	Not used	'3F7'	FDC / Primary IDE
'240' to '253'	Sound (SB Pro)	'3F8" to '3FF'	Serial Port (COM1)
'254' to '25F'	Not used	'400' to '47F"	Not used
'260' to '263'	Sound (SB Pro)	'480' to '49F'	DMA Hi-Page Register
'264' to '26F'	Not used	'4A0' to '52F'	Not used
'278' to '27F'	Parallel Port* (LPT2)	'530' to '537'	Sound (WSS)
'280' to '293'	Sound (SB Pro)	'540' to '547'	Sound (WSS)
'294' to '2E7'	Not used	'550' to '557'	Sound (WSS)
'2E8' to '2EF'	Serial Port (COM4)	'560' to '567'	Sound (WSS)
'2F0' to '2F7'	Not used		

\* These port addresses can be specified by System Setup.

## Free Manuals Download Website

<http://myh66.com>

<http://usermanuals.us>

<http://www.somanuals.com>

<http://www.4manuals.cc>

<http://www.manual-lib.com>

<http://www.404manual.com>

<http://www.luxmanual.com>

<http://aubethermostatmanual.com>

Golf course search by state

<http://golfingnear.com>

Email search by domain

<http://emailbydomain.com>

Auto manuals search

<http://auto.somanuals.com>

TV manuals search

<http://tv.somanuals.com>