

# TOSHIBA

## Tecra M5 Series Detailed Product Specification<sup>1</sup>

Model Name	Description	Part Number	UPC
M5-ST8112	Microsoft® Windows® XP Professional, Intel® Core™ Solo Processor T1300, 512MB DDR2, 40GB 5400rpm (S-ATA), CD-RW/DVD-ROM, 14.1" XGA, nVIDIA® Quadro NVS 110M w/ 128MB, Intel® PRO/Wireless 3945ABG (802.11a/b/g), 1-year standard limited warranty.	PTM51U-03R01G	032017531833

### Operating System<sup>2</sup>

- Microsoft® Windows® XP Professional

### Processor and Chipset<sup>3</sup>

#### Intel® Centrino® Mobile Technology featuring:

- Intel® Core™ Solo Processor T1300
  - 1.66GHz, 2MB L2, 667MHz FSB
- Chipset
  - Mobile Intel® 945GM Express Chipset
- Integrated Wi-Fi® compliant wireless LAN
  - Intel® PRO/Wireless 3945ABG (802.11a/b/g)

#### Intel® Centrino® Duo Mobile Technology featuring:

- Intel® Core™ Duo Processor T2300
  - 1.66GHz, 2MB L2, 667MHz FSB
- Intel® Core™ Duo Processor T2400
  - 1.83GHz, 2MB L2, 667MHz FSB
- Intel® Core™ Duo Processor T2500
  - 2.00GHz, 2MB L2, 667MHz FSB
- Intel® Core™ Duo Processor T2600
  - 2.16GHz, 2MB L2, 667MHz FSB
- Chipset
  - Mobile Intel® 945GM Express Chipset
- Integrated Wi-Fi® compliant wireless LAN
  - Intel® PRO/Wireless 3945ABG (802.11a/b/g)

### Choice of Memory<sup>4</sup>

- Configured with 512MB DDR2 533MHz SDRAM (using one memory module, one memory expansion slot open)
- 512MB(min)/4096MB (max), 2 memory slots using 256MB, 512MB, 1024MB, 2048MB PC4200 DDR2 533MHz SDRAM or PC5300 DDR2 667MHz SDRAM, dual-channel support requires two memory modules of same capacity and clockspeed

### Choice of Hard Disk Drive<sup>5</sup>

- 40GB, 60GB, 80GB, 100GB, 120GB (5400 RPM) or 100GB (7200RPM) Serial-ATA (S-ATA) hard disk drive; 9.5mm height

### Choice Slim SelectBay Optical Disk Drive<sup>6</sup>

- CD-RW/DVD-ROM
  - Maximum speed and compatibility: CD-ROM (24x:read), CD-R (24x:write), CD-RW (10x:write), DVD-ROM (8x:read)
- DVD SuperMulti (+/-R double layer) drive supporting 11 formats
  - Maximum speed and compatibility: CD-ROM (24x:read), CD-R (24x:write), CD-RW (10x:write), DVD-ROM (8x:read), DVD-R (Single Layer, 8x:write), DVD-R (Double Layer, 2x: write), DVD-RW (4x:write), DVD+R (Single Layer, 8x:write), DVD+R (Double Layer, 2.4x:write), DVD+RW (4x:write), DVD-RAM (5x:write)

### Display<sup>7</sup>

- 14.1" diagonal TFT active-matrix LCD display at 1024x768 native resolution (XGA)
- 14.1" diagonal TFT active-matrix LCD display at 1400x1050 native resolution (SXGA+)

### Graphics<sup>8</sup>

- nVIDIA® Quadro NVS 110M with 128MB DDR discrete graphics memory, plus up to 128MB dynamically allocated shared graphics memory using NVIDIA® TurboCache technology.<sup>9</sup>

### Sound

- Built-in stereo speakers
- SigmaTel STAC9200 24-bit stereo software sound
  - Supports Direct 3D Sound, DirectSound, Direct Music, MIDI (playback)
  - Connected BUS: High Definition Audio (Intel HD Audio 1.0 Compatible)
- Sound Volume Control Dial
- Built-in microphone

### Input Devices

- Keyboard
  - 85 key US keyboard
  - Hot Key Functions (Fn)
  - Windows Key Function
  - Application Key Function
- Toshiba Accupoint® and TouchPad™ dual pointing device
- TouchPad™ Enable/Disable (FN+F9 or by help of software)
- Control Buttons:
  - Toshiba Assist button to launch Toshiba Assist control panel
  - Presentation button to quickly connect to projectors

### Communications

- Toshiba V.92 software modem<sup>10</sup>
- Intel® 10 Base-T/100 Base-TX/1000 Base-T Ethernet
- Bluetooth® version 2.0 plus Enhanced Data Rate (EDR) with Toshiba Bluetooth driver software (Optional)
- Integrated Intel® PRO/Wireless Network Connection 3945ABG (802.11a/b/g)<sup>11</sup>

### Expandability

- 2 main memory slots.
- 1 PC Card slot support 1 Type II, PCMCIA R2.01, PC Card16, CardBus
- ExpressCard™ slot supporting ExpressCard/34 and ExpressCard/54
- Secure Digital slot (supports SDIO)

### Ports

- Video
  - RGB (monitor) output port
  - S-Video output port
- Audio
  - Microphone input port
  - Headphone output port
- Data
  - i.LINK(tm) IEEE-1394
  - Universal Serial Bus (USB v2.0) – 3 ports
  - RJ-45 LAN port
  - RJ-11 modem port
  - Serial port
  - 240-pin docking connector

© Copyright 2006 Toshiba America Information Systems Inc. All Rights reserved.

TAIS shall not be liable for damages of any kind for use of this information, which is subject to change without notice.  
Tecra M5-ST8112 BT0 Rev. 1.00 2006-01-24 SK T20060113 CB1.05

# TOSHIBA

## Physical Description for this Product Series

- Dimensions (WxDxH Front/H Rear): 12.4" (315.6mm) x 10.3" (261.0mm) x 1.23" (31.2mm)[F]/1.35" (34.2mm)[R] without feet
- Weight: Starting at 5.2 lbs (2.37kg) depending upon configuration<sup>12</sup>
- Indicators: Main Battery Charging, DC-IN, Power/Sleep, HDD Activity, Wireless On, Caps Lock, Arrow Mode, Numeric Lock
- Chassis Description
  - Case material: PC ABS + Magnesium
  - LCD Cover Color: Titanium Silver
- Physical Security
  - Slot for cable lock;
  - Items protected by a screw: Memory, HDD
- Software Security
  - Passwords: User power-on password, supervisor password
  - Hotkey locks: Screen Blank

## Power Supply

- 75W (15V x 5A) Auto sensing external AC Adapter, 100-240V / 50-60Hz frequency (Universal) input.
- Dimensions (WxDxH): 5.0" (127.0mm) x 2.01" (51.0mm) x 1.18" (30.0mm)
- Weight: starting at 0.78 lbs (355 g)

## Battery<sup>13</sup>

- 6-cell (4700mAh) rechargeable, removable Lithium Ion (Li-Ion) battery pack
- Dimensions (WxDxH): 8.15" (207.0mm) x 0.79" (20.0mm) x 1.17" (45.0mm)
- Weight: starting at 0.75 lbs (338 g)
- Battery Life (measured by MobileMark™)<sup>14</sup>
  - Included 6-cell battery: 4 hours, 3 minutes
  - Optional 12-cell battery: 7 hours, 36 minutes
  - Optional SlimSelectBay battery:
    - 7 hours, 17 minutes with 6-cell primary
    - 10 hours, 58 minutes with 12-cell primary
- Recharge Time
  - Main Battery Off/On – approximately 3.0 hrs/approximately 3.5 to 13.0 hrs

## Toshiba EasyGuard™<sup>15</sup>

- Protect & Fix
  - Shock Absorbing Design<sup>16</sup>
    - HDD Shock Absorber
  - Hard Disk Drive Protection
    - 3D Accelerometer
    - HDD Dome Shock Protector
    - HDD Shock Absorber
  - Spill-Resistant Keyboard<sup>17</sup>
  - Magnesium Alloy Casework
  - TOSHIBA PC Diagnostic Tool
  - Key Component Access
- Secure
  - Multiple-Level Password Utilities
  - Fingerprint Reader (includes software for password and identity management)
  - Trusted Platform Module (TPM v1.2)
  - TOSHIBA Secure Digital Token Utility
  - Reinforced Security Cable Lock Slot
  - Execute Disable Bit
- Connect
  - Diversity Antenna
  - TOSHIBA ConfigFree®
  - Voice-over-IP Ready Design
- Optimize
  - Presentation Button
  - TOSHIBA Zooming Utility
  - One-touch Resolution Change

- TOSHIBA Power Saver Utility
- Wireless On/Off Switch
- TOSHIBA Fn-esse® Shortcut Utility
- TOSHIBA Mouse Utility
- FN Shortcut Keys

## BIOS

- TSETUP, ACPI, PNP, VESA, DPMS, DDC, SM BIOS v2.4, PCI BIOS v2.1 support

## Software<sup>18</sup>

- Toshiba Software and Utilities
  - TOSHIBA ConfigFree®
  - TOSHIBA Custom Utilities
  - Electronic User's Guide
- Third-party Software
  - Microsoft Office® OneNote® 2003
  - Microsoft Works®
  - Intuit® Quicken® New User Edition 2005
  - Sun® Java™ 2 Runtime Environment
  - Adobe® Acrobat® Reader
  - InterVideo® WinDVD® 5
  - InterVideo® WinDVD Creator 2 Platinum
  - Sonic Solutions® RecordNow!™ Basic for Toshiba
  - Sonic Solutions® Drive Letter Access™ (DLA)
  - Microsoft® Windows Media Player version 10
  - Yahoo! Music Engine
- Trial Software
  - McAfee® VirusScan® (30-day trial)
  - McAfee® antiSpyware (30-day trial)
  - McAfee® Personal Firewall Plus (30-day trial)
  - McAfee® SpamKiller® (30-day trial)
  - AOL® Internet Service (90-day trial)<sup>19</sup>

## Environmental Specifications

	Operating	Non-operating
Temperature <sup>20</sup>	5° to 35° C (41° to 95° F)	-20° to 65° C (-4° to 149° F)
Thermal Gradient	15° C per hour (max)	20° C per hour (max)
Relative Humidity (non-condensing)	20% to 80%	10% to 95%
Altitude (relative to sea level)	-60 to 3,000 meters	-60 to 10,000 meters
Shock	7G, 1.5G with CD-ROM installed	60G
Vibration	0.2G, 0.25G with CD-ROM installed	1.0G

- This product is compatible with European Union Directive 2002/95/EC, Restriction of the use of certain Hazardous Substances in electrical and electronic equipment (RoHS)<sup>21</sup>, restricting use of lead, cadmium, mercury, hexavalent chromium, PBB, and PBDE.

## TECRA / PORTEGE – 1 YEAR STANDARD LIMITED WARRANTY<sup>22</sup>

### Service Upgrades and Extensions

Toshiba offers many different enhanced services such as SystemGuard®, At-Home Repair, and Service Express to provide additional support to your notebook PC. For a full description and complete list of programs and program terms and conditions, please visit [www.pcsupport.toshiba.com](http://www.pcsupport.toshiba.com).

## Recommended Services

### Extended Service Plans

Provides an extended service plan for up to 4 total years from the original notebook purchase date.

Part Number	Description
-------------	-------------

© Copyright 2006 Toshiba America Information Systems Inc. All Rights reserved.

TAIS shall not be liable for damages of any kind for use of this information, which is subject to change without notice.

Tecra M5-ST8112 BT0 Rev. 1.00 2006-01-24 SK T20060113 CB1.05

# TOSHIBA

WSN-PEQQ2V	2nd Year Extended Service Plan
WSN-PEQQ3V	2nd/3rd Year Extended Service Plan
WSN-PEQQ4V	2nd/3rd/4th Year Extended Service Plan

## **SystemGuard Accidental Damage Service w/ ServiceExpress<sup>23</sup>**

Provides advanced protection from damage caused from handling. Select your express repair service with either Depot Express or Carry-In Express and go to the front of the line. Extended Service Plan included with 4 Year plan. SystemGuard coverage must be purchased within the first 30 days of notebook purchase.

<u>Part Number</u>	<u>Description</u>
WSN-PSGQ1V	1st Year
WSN-PEGQ2V	1st/2nd Year + Extended Service Plan
WSN-PEGQ3V	1st/2nd/3rd Year + Extended Service Plan

## **SystemGuard Accidental Damage Service + Business On-Site Repair**

Combines SystemGuard and Business On-Site Repair coverage. Extended Service Plan included with 4 Year plan. SystemGuard coverage must be purchased within the first 30 days of notebook purchase.

<u>Part Number</u>	<u>Description</u>
WSN-PSGN1V	1st Year
WSN-PEGN2V	1st/2nd Year + Extended Service Plan
WSN-PEGN3V	1st/2nd/3rd Year + Extended Service Plan

## **ServiceExpress**

Select your express repair service with either Depot Express or Carry-In Express. Depot Express: Your notebook will be repaired and returned via overnight shipment (excluding weekends and holidays). Carry-In Express: Take your notebook into a Premier ASP and go to the front of the line for expedited repair service. Extended Service Plan included with 4 Year plan.

<u>Part Number</u>	<u>Description</u>
WSN-PSQP1V	1st Year
WSN-PEQP2V	1st/2nd Year + Extended Service Plan
WSN-PEQP3V	1st/2nd/3rd Year + Extended Service Plan

## **Business On-Site Repair**

On-site service will be provided at the customer's business location (excluding weekends and holidays) to perform the necessary hardware repairs. Extended Service Plan included with 4 Year plan.

<u>Part Number</u>	<u>Description</u>
WSN-PSQN1V	1st Year
WSN-PEQN2V	1st/2nd Year + Extended Service Plan

## **Subject to Change**

While Toshiba has made every effort at the time of publication to ensure the accuracy of the information provided herein, product specifications, configurations, prices, system/component/options availability are all subject to change without notice. For the most up-to-date product information about your computer, or to stay current with the various computer software or hardware options, visit Toshiba's Web site at <http://www.pcsupport.toshiba.com>

## **Return Policy**

Notwithstanding anything to the contrary in any third party License Agreement or product documentation supplied with your PC, Toshiba America Information Systems, Inc. ("TAIS") does not accept the return of component parts, or bundled software, that have been removed from the PC system. Pro-rata refunds on individual PC components or bundled software, including the operating system, will not be granted. If you wish to return a complete PC system, contact the TAIS dealer where you purchased the product, and comply with the dealer's standard return policies and procedures.

Toshiba America Information Systems, Incorporated ("TAIS")  
9740 Irvine Boulevard  
Irvine CA 92618  
ToshibaDirect website: <http://www.toshibadirect.com>  
TAIS website for resellers: <http://sell.toshiba.com>  
TAIS PC Support website: <http://pcsupport.toshiba.com>

Portégé, Satellite, Tecra, SelectBay, ConfigFree and SystemGuard are registered trademarks and Qosmio and EasyGuard are trademarks of Toshiba America Information Systems, Inc. and/or Toshiba Corporation. Intel, Celeron, Centrino, Intel Inside, Pentium, the Intel Centrino logo, and the Intel Inside logo are trademarks or registered trademarks of Intel Corporation or its subsidiaries in the United States and other countries. Microsoft and Windows are registered trademarks and OneNote registered is a trademark of Microsoft Corporation in the United States and/or other countries. Winstone® is a registered trademark and BatteryMark™ is a trademark of Ziff Davis Publishing Holdings Inc. in the U.S. and other countries. MobileMark™ is a trademark of the Business Applications Performance Corporation. Wi-Fi is a registered certification mark of the Wi-Fi Alliance. The Bluetooth word mark and logos are owned

WSN-PEQN3V	1st/2nd/3rd Year + Extended Service Plan
------------	--

## **Accessories**

For memory compatibility and the most updated accessories, please visit [www.accessories.toshiba.com](http://www.accessories.toshiba.com)

## **Power**

<u>Part Number</u>	<u>Description</u>
PA3283U-3ACA	Toshiba 75W Global AC Adapter
PA3356U-2BRS	Toshiba Primary Li Ion Battery Pack (6 Cell)
PA3509U-1BRM	Toshiba Primary Extended Capacity Li Ion Battery Pack (9 Cell)
PA3357U-1BRL	Toshiba Primary High Capacity Li Ion Battery Pack (12 Cell)
PA3129U-2BRS	Toshiba Slim SelectBay 2nd Battery Pack
PA3091U-1CHG	Toshiba Battery Charger with Integrated AC Adapter

## **Expansion**

<u>Part Number</u>	<u>Description</u>
PA3474U-1PRP	Toshiba Advanced Port Replicator III Plus

## **Security & Protection**

<u>Part Number</u>	<u>Description</u>
PA1370U-1ETC	Toshiba Keyboard Protector (Satellite/Tecra/Qosmio)
PA410U	Targus DEFCON CL Notebook Cable Lock

## **Storage**

<u>Part Number</u>	<u>Description</u>
PA3109U-3FDD	Toshiba USB Floppy Disk Drive Kit
PA3407U-1H80	Toshiba 80GB HDD Kit with (Bracket) 5400 rpm SATA
PA3430U-1HA0	Toshiba 100GB HDD Kit with (Bracket) 5400 rpm SATA
PA3134U-1ETC	Toshiba Slim SelectBay HDD Adapter (Black Bezel)
PA1399U-1MEM	Toshiba 1GB USB Hi-Speed Flash Drive

## **Wireless/Bluetooth**

<u>Part Number</u>	<u>Description</u>
PA3455U-1BTM	Toshiba USB Adapter with Bluetooth 2.0+EDR Capability

# TOSHIBA

by the Bluetooth SIG, Inc. and any use of such marks by Toshiba is under license. NVIDIA and GeForce are registered trademarks or trademarks of NVIDIA Corporation in the United States and/or other countries. All other trademarks are the property of their respective owners.

<sup>1</sup> **Product Series Legal Footnote.** The product specifications and configuration information are designed for a product Series. Your particular model may not have all the features and specifications listed or illustrated. For more detailed information about the features and specifications on your particular model, please visit Toshiba's Web site at [pcsupport.toshiba.com](http://pcsupport.toshiba.com).

**Product Offering Legal Footnote.** Toshiba America Information Systems, Inc. reserves the right to modify or withdraw this offer at anytime without notice.

<sup>2</sup> **Operating System.** Certain Microsoft® software product(s) included with this computer may use technological measures for copy protection. IN SUCH EVENT, YOU WILL NOT BE ABLE TO USE THE PRODUCT IF YOU DO NOT FULLY COMPLY WITH THE PRODUCT ACTIVATION PROCEDURES. Product activation procedures and Microsoft's privacy policy will be detailed during initial launch of the product, or upon certain reinstallations of the software product(s) or reconfigurations of the computer, and may be completed by Internet or telephone (toll charges may apply).

Some software may differ from its retail version (if available), and may not include user manuals or all program functionality.

<sup>3</sup> **Processor (Central Processing Unit).**

CPU performance in your computer product may vary from specifications under the following conditions:

1. use of certain external peripheral products
2. use of battery power instead of AC power
3. use of certain multimedia, computer generated graphics or video applications
4. use of standard telephone lines or low speed network connections
5. use of complex modeling software, such as high end computer aided design applications
6. use of several applications or functionalities simultaneously
7. use of computer in areas with low air pressure (high altitude >1,000 meters or >3,280 feet above sea level)
8. use of computer at temperatures outside the range of 5°C to 30°C (41°F to 86° F) or >25°C (77°F) at high altitude (all temperature references are approximate and may vary depending on the specific computer model – please visit the Toshiba website at [www.pcsupport.toshiba.com](http://www.pcsupport.toshiba.com) for details).

CPU performance may also vary from specifications due to design configuration.

Under some conditions, your computer product may automatically shut-down. This is a normal protective feature designed to reduce the risk of lost data or damage to the product when used outside recommended conditions. To avoid risk of lost data, always make back-up copies of data by periodically storing it on an external storage medium. Use your computer product only under recommended conditions. Read additional restrictions under "Environmental Conditions" in your product "Detailed Specs." Contact Toshiba Technical Service and Support for more information.

<sup>4</sup> **Memory (Main System).** Part of the main system memory may be used by the graphics system for graphics performance and therefore reduce the amount of main system memory available for other computing activities. The amount of main system memory allocated to support graphics may vary depending on the graphics system, applications utilized, system memory size and other factors. For PC's configured with 4 GB of system memory, the full system memory space for computing activities will be considerably less and will vary by model and system configuration.

<sup>5</sup> **Hard Disk Drive (HDD) Capacity.**

1 Gigabyte (GB) means  $10^9 = 1,000,000,000$  bytes using powers of 10. The computer operating system, however, reports storage capacity using powers of 2 for the definition of  $1 \text{ GB} = 2^{30} = 1,073,741,824$  bytes, and therefore shows less storage capacity. Available storage capacity will also be less if the product includes one or more pre-installed operating systems, such as Microsoft Operating System and/or pre-installed software applications, or media content. Actual formatted capacity may vary.

<sup>6</sup> **Optical Drive.** Due to manufacturing and quality variations in third party optical media (e.g., CD or DVD) or optical media players/recorders, in certain cases, your Toshiba optical drive may not record on certain optical media that bear the applicable logo, or playback optical media recorded by other PCs or optical media recorders. Additionally, certain optical media recorded on your optical drive may not playback or operate properly on other PCs or optical media players. These problems are not due to any defect in your Toshiba PC or optical drive. Please refer to your PC's product specification for listing of specific format compatibilities.

Copy protection technology may also prevent or limit recording or viewing of certain optical media.

<sup>7</sup> **Display.** Small bright dots may appear on your screen display when you turn on your PC. Your display contains an extremely large number of thin-film transistors (TFT) and is manufactured using high-precision technology. Any small bright dots that may appear on your display are an intrinsic characteristic of the TFT manufacturing technology. Over a period of time, and depending on the usage of the computer, the brightness of the screen will deteriorate. This is also an intrinsic characteristic of the screen technology.

When the computer is operated on battery power, the screen will dim and you may not be able to increase the brightness of the screen while on battery power.

<sup>8</sup> **Graphics (Graphics Processing Unit).**

GPU performance may vary depending on product model, design configuration, applications, power management settings and features utilized. GPU performance is only optimized when operating in AC power mode and may decrease considerably when operating in battery power mode.

<sup>9</sup> **NVIDIA TurboCache:** nVIDIA Quadro NVS 110M GPU with TurboCache™ with 128MB for dedicated graphics memory. The revolutionary new nVIDIA Quadro NVS 110M GPU utilizes the additional bandwidth of PCI Express to reach higher levels of graphics performance than traditional graphics memory solutions. The nVIDIA Quadro NVS 110M GPU shares the capacity and bandwidth of dedicated graphics memory and dynamically available system memory for turbocharged performance and larger total graphics memory. The VRAM capacity indicated in the NVIDIA display is the sum of the discrete graphics memory and the maximum possible graphics memory allocated dynamically by the system memory. The system memory capacity indicated in the Microsoft

# TOSHIBA

Windows PROPERTIES display is the maximum possible system memory capacity without adjustment for any system memory which may be dynamically allocated to the graphics system depending on demand.

<sup>10</sup> **Modem Speed.** Due to FCC limitations, speeds of 53 kbps are the maximum permissible transmission rates during download. Actual data transmission speeds will vary depending on line conditions.

<sup>11</sup> **Wireless.** Wireless connectivity and some features may require you to purchase additional software, external hardware or services. Availability of public wireless LAN access points may be limited. The transmission speed over the wireless LAN and the distance over which wireless LAN can reach may vary depending on surrounding electromagnetic environment, obstacles, access point design and configuration, and client design and software/hardware configurations. The actual transmission speed will be lower than the theoretical maximum speed. To use the Atheros SuperAG™ or SuperG™ wireless function, if available, your client and access point must support the corresponding feature. Performance of these functions may vary depending on the format of data transmitted.

<sup>12</sup> **Weight.** Weight may vary depending on product configuration, vendor components, manufacturing variability and options selected.

<sup>13</sup> **Battery Life.** Battery life may vary considerably from specifications depending on product model, configuration, applications, power management settings and features utilized, as well as the natural performance variations produced by the design of individual components. Published battery life numbers are achieved on select models and configurations tested by Toshiba at the time of publication. See "Detailed Specs" for specific battery measurement test. Recharge time varies depending on usage. Battery may not charge while computer is consuming full power. After a period of time, the battery will lose its ability to perform at maximum capacity and will need to be replaced. This is normal for all batteries. To purchase a new battery pack, see the accessories information that shipped with your computer or visit the Toshiba web site at [www.accessories.toshiba.com](http://www.accessories.toshiba.com).

<sup>14</sup> **Battery Life - MobileMark™.** Measured by MobileMark. MobileMark is a trademark of the Business Applications Performance Corporation.

<sup>15</sup> **EasyGuard.** Toshiba EasyGuard™ technology comprises a number of features some of which may or may not be available on a particular Toshiba notebook depending on the model selected. See [www.easyguard.toshiba.com](http://www.easyguard.toshiba.com) for detailed information.

<sup>16</sup> **Shock Protection.** Toshiba's shock absorption technology provides higher impact protection for your system as compared to Toshiba systems without similar shock protection features based on Toshiba's drop tests. Toshiba's standard limited warranty terms and limitations apply. Visit [www.warranty.toshiba.com](http://www.warranty.toshiba.com) for details.

<sup>17</sup> **Spill-Resistant Keyboard.** Under Toshiba testing conditions, the spill-resistant keyboard delayed the time for a water spill to reach the PC's main board to allow more time to properly close down the machine.

<sup>18</sup> **Software.** Some software may differ from its retail version (if available), and may not include user manuals or all program functionality.

Certain Microsoft® software product(s) included with this computer may use technological measures for copy protection. IN SUCH EVENT, YOU WILL NOT BE ABLE TO USE THE PRODUCT IF YOU DO NOT FULLY COMPLY WITH THE PRODUCT ACTIVATION PROCEDURES. Product activation procedures and Microsoft's privacy policy will be detailed during initial launch of the product, or upon certain reinstallations of the software product(s) or reconfigurations of the computer, and may be completed by Internet or telephone (toll charges may apply).

<sup>19</sup> **AOL® Internet Service.** Availability may be limited, especially during peak times. TO AVOID BEING CHARGED A MONTHLY MEMBERSHIP FEE, SIMPLY CANCEL BEFORE THE THREE-MONTH PROMOTIONAL PERIOD ENDS. Premium services carry surcharges and communication surcharges may apply, including AK, even during promotional period. Members may incur telephone charges on their phone bill, depending on their location and calling plan, even during promotional period. Available to new AOL members in the United States, age 18 or older; a major credit card or checking account is required.

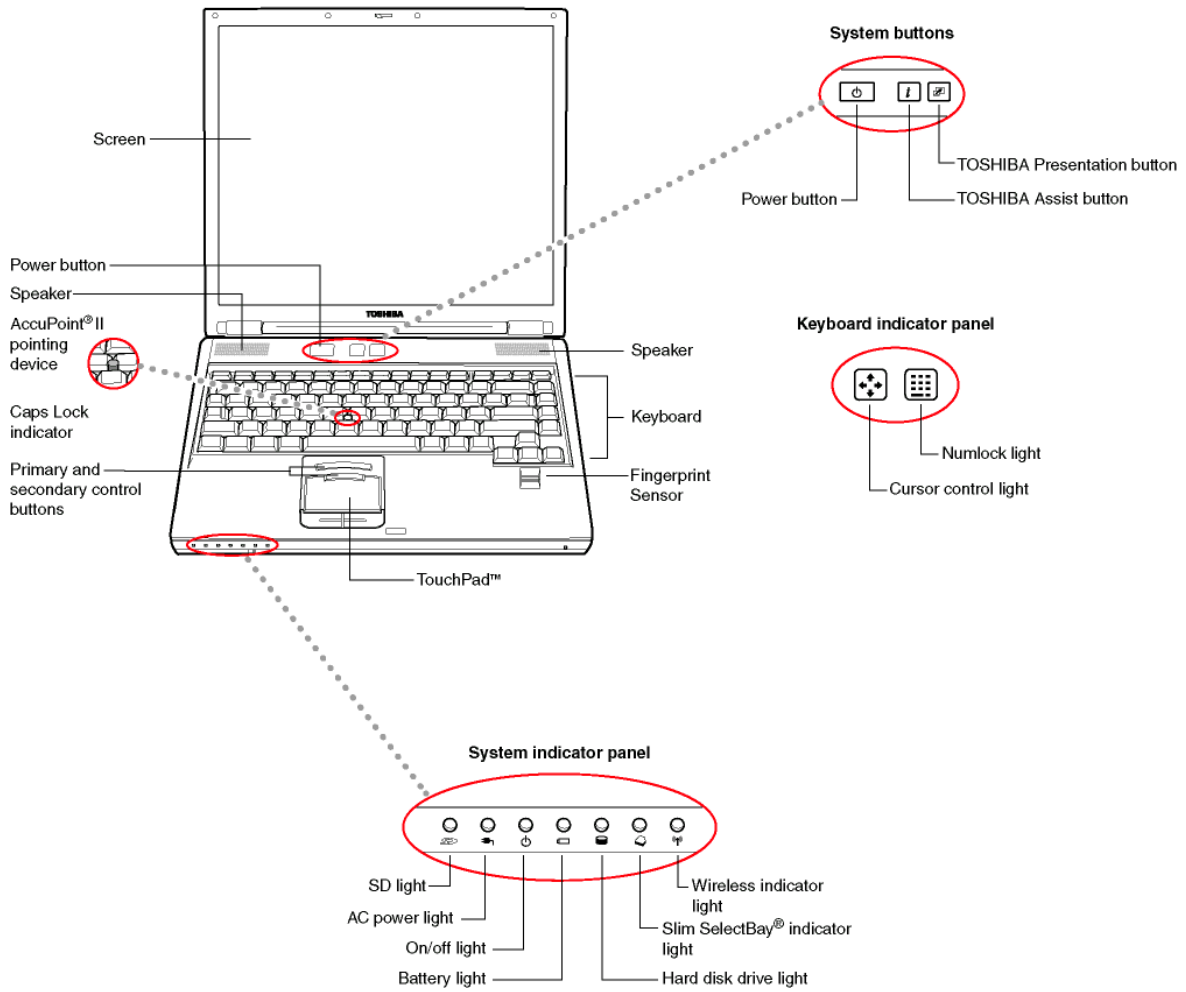
<sup>20</sup> **Temperature (Environmental) Conditions.** All temperature references are approximate and the performance of your computer may vary from specifications even when operating within the recommended temperature range.

<sup>21</sup> **RoHS.** This product is compatible with European Union Directive 2002/95/EC, Restriction of the use of certain Hazardous Substances in electrical and electronic equipment (RoHS), which restricts use of lead, cadmium, mercury, hexavalent chromium, PBB, and PBDE.

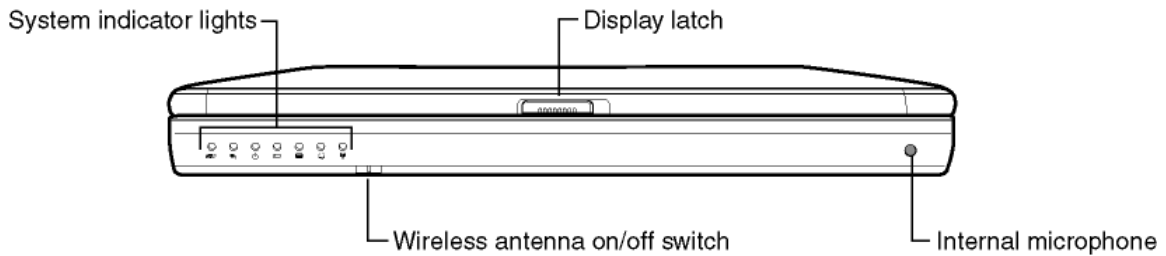
<sup>22</sup> **Warranty:** The terms and conditions of Toshiba's standard limited warranty are available at [www.warranty.toshiba.com](http://www.warranty.toshiba.com).

<sup>23</sup> **SystemGuard:** SystemGuard coverage must be purchased within the first 30 days of notebook purchase. See Toshiba Service Plan Agreement for program terms and conditions at [www.pcsupport.toshiba.com](http://www.pcsupport.toshiba.com).

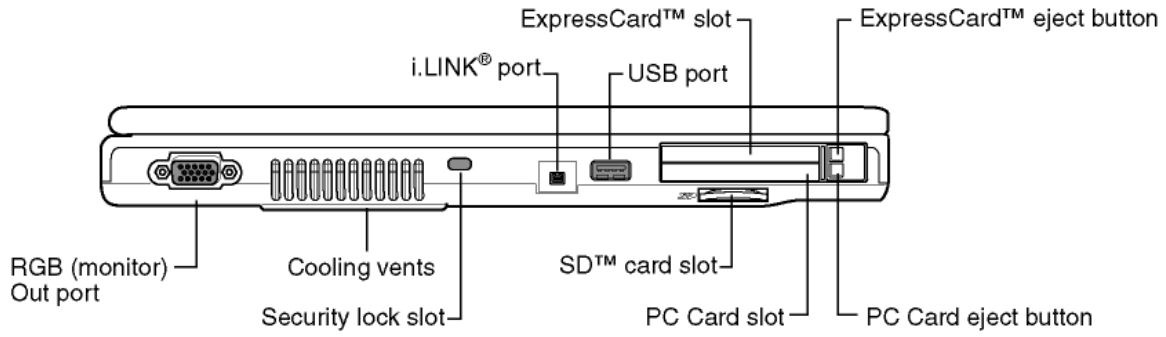
# Front with display open



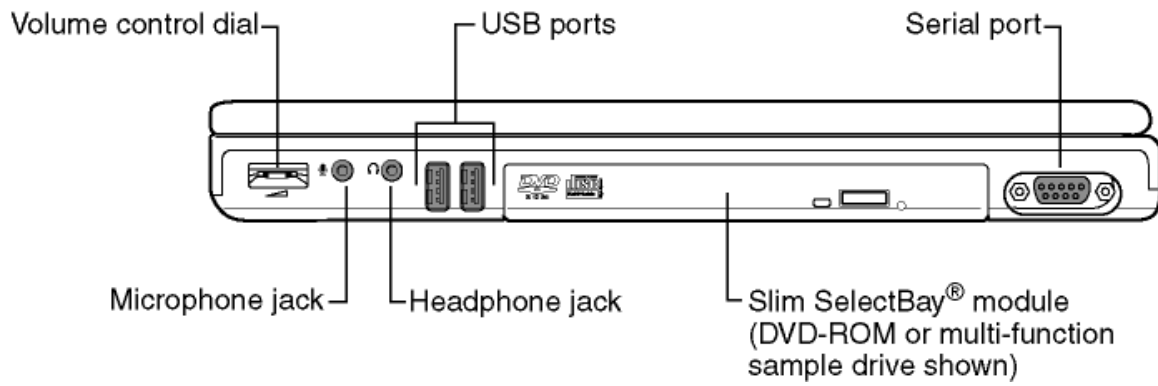
# Front with display closed



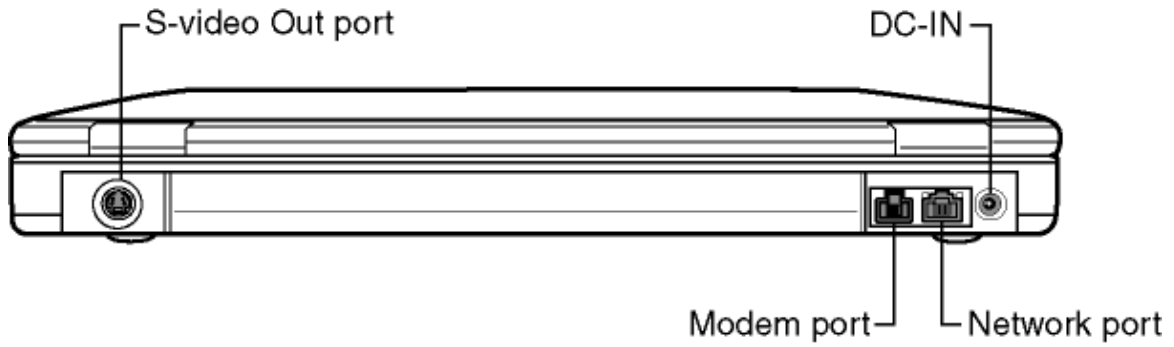
## Left side



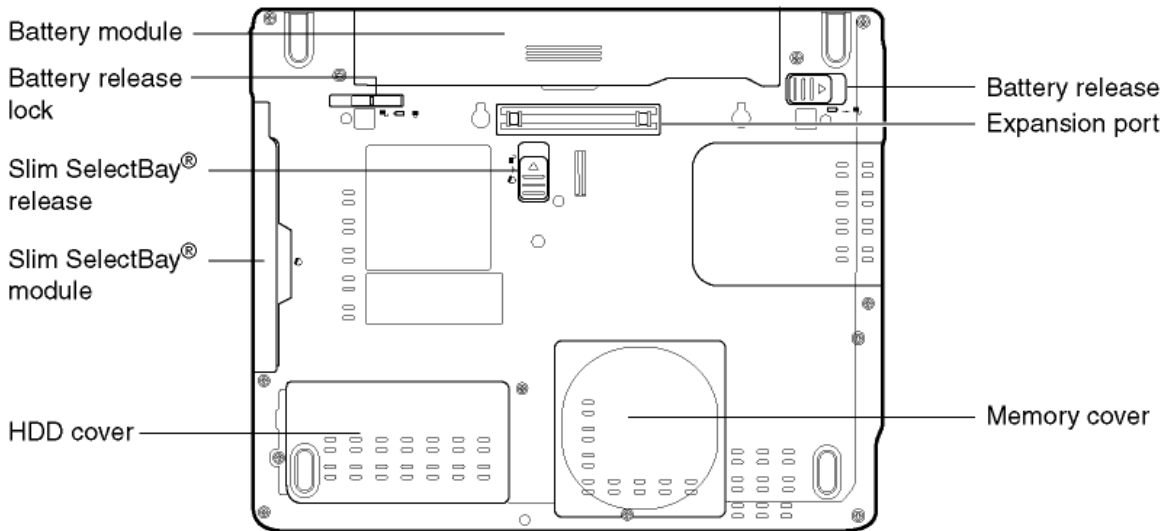
## Right side



# Back



# Underside





## Free Manuals Download Website

<http://myh66.com>

<http://usermanuals.us>

<http://www.somanuals.com>

<http://www.4manuals.cc>

<http://www.manual-lib.com>

<http://www.404manual.com>

<http://www.luxmanual.com>

<http://aubethermostatmanual.com>

Golf course search by state

<http://golfingnear.com>

Email search by domain

<http://emailbydomain.com>

Auto manuals search

<http://auto.somanuals.com>

TV manuals search

<http://tv.somanuals.com>