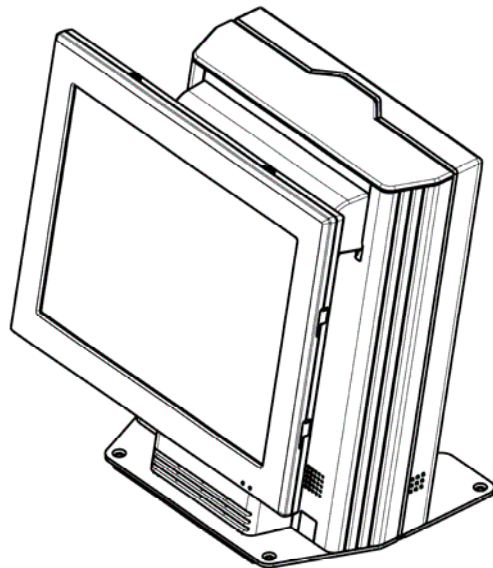


TOSHIBA

TOSHIBA POS Terminal

ST-A10 SERIES

Owner's Manual



CE Compliance (for EU only)

This product complies with the requirements of EMC and Low Voltage Directives including their amendments.

WARNING

This is a Class A product. In a domestic environment this product may cause radio interference in which case the user may be required to take adequate measures.

Warnung

Dies ist ein Klasse A Produkt. In einer örtlichen Umgebung kann dieses Gerät Funkstörungen verursachen.

ATTENTION

Ce produit est de classe A. Dans un environnement domestique, il peut causer des interférences radio. Auquel cas, l'utilisateur sera amené à prendre les mesures adéquates.

Atención

Este es un producto de la clase A. En ambientes domésticos éste producto puede causar radio interferencias en cuyo caso el usuario deberá tomar las medidas oportunas.

VERWITTIGING

Dit is een klasse A produkt. Het gebruik hiervan kan radio interferenties veroorzaken die de gebruiker ertoe kunnen dwigen sommige maatregelen te moeten treffen.

Avviso

Questo è un apparecchio di Classe A. In un ambiente residenziale questo apparecchio può provocare radiodisturbi. In questo caso può essere richiesto all'utilizzatore di prendere misure adeguate.

Maschinenlärminformations-Verordnung 3. GPSGV:

Der höchste Schalldruckpegel beträgt 70 dB(A) oder weniger gemäss EN ISO 7779

FCC Notice

This equipment has been tested and found to comply with the limits for a Class A digital device, pursuant to Part 15 of the FCC Rules. These limits are designed to provide reasonable protection against harmful interference when the equipment is operated in a commercial environment. This equipment generates, uses, and can radiate radio frequency energy and, if not installed and used in accordance with the instruction manual, may cause harmful interference to radio communications. Operation of this equipment in a residential area is likely to cause harmful interference in which case the user will be required to correct the interference at this own expense.

Changes or modifications not expressly approved by manufacturer for compliance could void the user's authority to operate the equipment.

This Class A digital apparatus complies with Canadian ICES-003.

Cet appareil numérique de la classe A est conforme à la norme NMB-003 du Canada.

Microsoft and Windows are registered trademarks of Microsoft Corporation.

VIA is a registered trademark of VIA Technologies, Inc..

iButton is a registered trade mark of Dallas Semiconductor.

Perchlorate Material - special handling may apply.

See <http://www.dtsc.ca.gov/hazardouswaste/perchlorate/>

-- Note; This is applicable to California, U.S.A only

< For EU Only >

TOSHIBA TEC Europe Retail Information Systems S.A.

Rue de la Célidée 33 BE-1080 Brussels

Copyright © 2007

by TOSHIBA TEC CORPORATION

All Rights Reserved

570 Ohito, Izunokuni-shi, Shizuoka-ken, JAPAN

Safety Summary

Personal safety in handling or maintaining the equipment is extremely important. Warnings and Cautions necessary for safe handling are included in this manual. All warnings and cautions contained in this manual should be read and understood before handling or maintaining the equipment.

Do not attempt to effect repairs or modifications to this equipment. If a fault occurs that cannot be rectified using the procedures described in this manual, turn off the power, unplug the machine, then contact your authorized TOSHIBA TEC representative for assistance.

Meanings of Each Symbol



This symbol indicates warning items (including cautions). Specific warning contents are drawn inside the Δ symbol. (The symbol on the left indicates a general caution.)



This symbol indicates prohibited actions (prohibited items). Specific prohibited contents are drawn inside or near the \odot symbol. (The symbol on the left indicates “no disassembling”.)



This symbol indicates actions which must be performed. Specific instructions are drawn inside or near the \bullet symbol. (The symbol on the left indicates “disconnect the power cord plug from the outlet”.)



WARNING

This indicates that there is the risk of **death** or **serious injury** if the machines are improperly handled contrary to this indication.



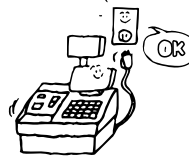
Prohibited

Do not plug in or unplug the power cord plug with wet hands as this may cause **electric shock**.



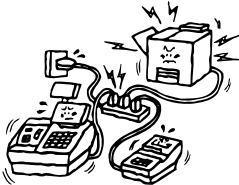
Any other than the specified AC voltage is prohibited.

Do not use voltages other than the voltage (AC) specified on the rating plate, as this may cause **fire** or **electric shock**.



Prohibited

If the machines share the same outlet with any other electrical appliances that consume large amounts of power, the voltage will fluctuate widely each time these appliances operate. Be sure to provide an exclusive outlet for the machine as this may cause **fire** or **electric shock**.



Prohibited

Do not place metal objects or water-filled containers such as flower vases, flower pots or mugs, etc. on top of the machines. If metal objects or spilled liquid enter the machines, this may cause **fire** or **electric shock**.



Prohibited

Do not insert or drop metal, flammable or other foreign objects into the machines through the ventilation slits, as this may cause **fire** or **electric shock**.



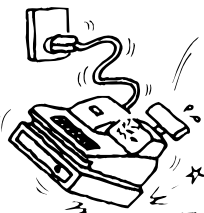
Prohibited

Do not scratch, damage or modify the power cords. Also, do not place heavy objects on, pull on, or excessively bend the cords, as this may cause **fire** or **electric shock**.



Disconnect the plug.






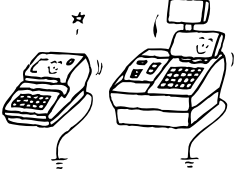


If the machines are dropped or their cabinets damaged, first turn off the power switches and disconnect the power cord plugs from the outlet, and then contact your authorized TOSHIBA TEC representative for assistance. Continued use of the machine in that condition may cause **fire** or **electric shock**.



Disconnect the plug.

Continued use of the machines in an abnormal condition such as when the machines are producing smoke or strange smells may cause **fire** or **electric shock**. In these cases, immediately turn off the power switches and disconnect the power cord plugs from the outlet. Then, contact your authorized TOSHIBA TEC representative for assistance.



 <p>Disconnect the plug.</p> 	<p>If foreign objects (metal fragments, water, liquids) enter the machines, first turn off the power switches and disconnect the power cord plugs from the outlet, and then contact your authorized TOSHIBA TEC representative for assistance. Continued use of the machine in that condition may cause fire or electric shock.</p>	 <p>Disconnect the plug.</p> 	<p>When unplugging the power cords, be sure to hold and pull on the plug portion. Pulling on the cord portion may cut or expose the internal wires and cause fire or electric shock.</p>
 <p>Connect a grounding wire.</p> 	<p>Ensure that the equipment is properly grounded. Extension cables should also be grounded. Fire or electric shock could occur on improperly grounded equipment.</p>	 <p>No disassembling.</p> 	<p>Do not remove covers, repair or modify the machine by yourself. You may be injured by high voltage, very hot parts or sharp edges inside the machine. Unauthorized modification is prohibited.</p>



CAUTION

This indicates that there is the risk of personal **Injury** or **damage** to objects if the machines are improperly handled contrary to this indication.

Precautions

The following precautions will help to ensure that this machine will continue to function correctly.

- Try to avoid locations that have the following adverse conditions:
 - * Temperatures out of the specification
 - * Direct sunlight
 - * High humidity
 - * Shared power source
 - * Excessive vibration
 - * Dust/Gas
- Do not subject the machine to sudden shocks.
- Do not press the keys too hard. Keys will operate correctly if they are touched lightly.
- Clean the cover and keyboard, etc. by wiping with a dry cloth or a cloth soaked with detergent and wrung out thoroughly. Never use thinner or other volatile solvent for cleaning.
- At the end of the day, turn the power OFF, then clean and inspect the exterior of the machine.
- Try to avoid using this equipment on the same power supply as high voltage equipment or equipment likely to cause mains interference.
- USE ONLY TOSHIBA TEC SPECIFIED consumables.
- DO NOT STORE the consumables where they might be exposed to direct sunlight, high temperatures, high humidity, dust, or gas.
- When moving the machine, take hold of the drawer and lift the machine.
- Do not place heavy objects on top of the machines, as these items may become unbalanced and fall causing **injury**.
- Do not block the ventilation slits of the machines, as this will cause heat to build up inside the machines and may cause **fire**.
- Do not lean against the machine. It may fall on you and could cause **injury**.
- Place the machine on a stable and level surface.

Request Regarding Maintenance

- Utilize our maintenance services.
After purchasing the machine, contact your authorized TOSHIBA TEC representative for assistance once a year to have the inside of the machine cleaned. Otherwise, dust will build up inside the machines and may cause a **fire** or a **malfunction**. Cleaning is particularly effective before humid rainy seasons.
- Our preventive maintenance service performs the periodic checks and other work required to maintain the quality and performance of the machines, preventing accidents beforehand.
For details, please consult your authorized TOSHIBA TEC representative for assistance.
- Using insecticides and other chemicals
Do not expose the machines to insecticides or other volatile solvents. This will cause the cabinet or other parts to deteriorate or cause the paint to peel.

TABLE OF CONTENTS

	Page
1. INTRODUCTION -----	1-1
1.1 Accessories -----	1-1
2. APPEARANCE -----	2-1
2.1 Standard Model -----	2-1
2.2 Availabe Options -----	2-3
2.3 Examples of POS Terminal with Some Options -----	2-4
2.4 Connectors -----	2-5
3. INSTALLATION PROCEDURE -----	3-1
3.1 Environment for Installation -----	3-1
3.2 Connecting the AC Plug -----	3-2
4. ADJUSTMENT -----	4-1
4.1 Tilt Angle Adjustment -----	4-1
4.2 Brightness Adjustment -----	4-2
5. MAGNETIC CARD READER (OPTION)-----	5-1
5.1 How to Read Magnetic card -----	5-1
6. iButton® (OPTION) -----	6-1
6.1 How to Read iButton -----	6-1
7. GENERAL MAINTENANCE -----	7-1
8. TROUBLESHOOTING -----	8-1
9. SPECIFICATIONS -----	9-1
9.1 Basic Specifications -----	9-1
9.2 Option -----	9-2

CAUTION!

1. This manual may not be copied in whole or in part without prior written permission of TOSHIBA TEC.
2. The contents of this manual may be changed without notification.
3. Please refer to your local Authorized Service representative with regard to any queries you may have in this manual.

1. INTRODUCTION

Thank you for choosing the TOSHIBA POS Terminal. This POS terminal contains all the high performance register functions necessary for a specialty/hospitality POS terminal and enables the user oriented system configuration.

The operation panel can be chosen from 12-inch TFT display and 15-inch TFT display.

This manual describes the functions and handling of this POS terminal and should be read carefully to help gain maximum performance and life from your POS terminal. For more queries please refer to this manual and keep it safe for future reference.

1.1 Accessories

Confirm that the following accessories are contained in the carton. If any accessories are missing or damaged, contact your TOSHIBA TEC service representative.

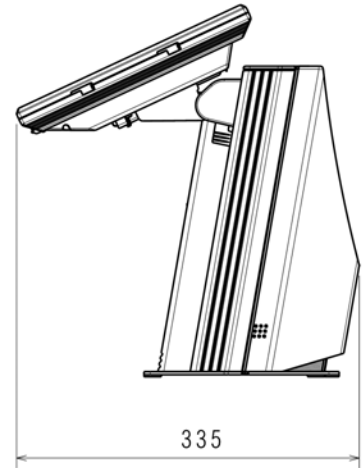
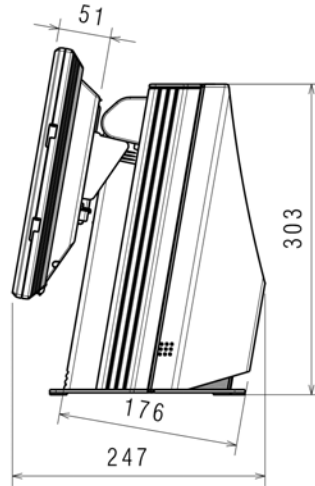
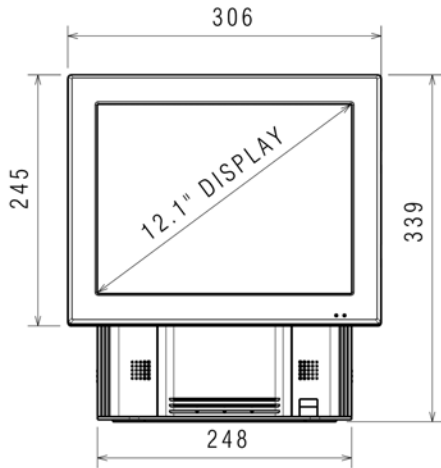
Quick installation manual (1 copy)



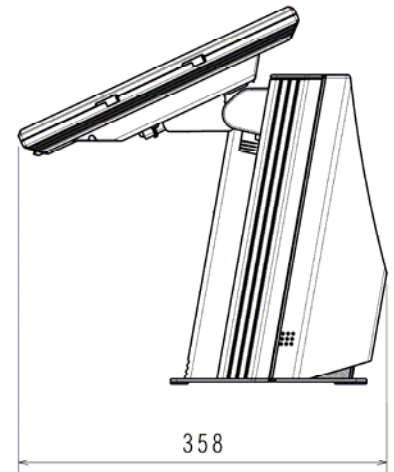
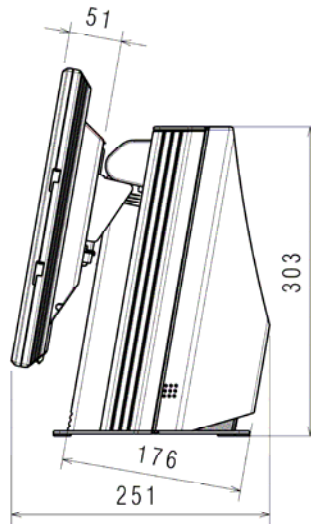
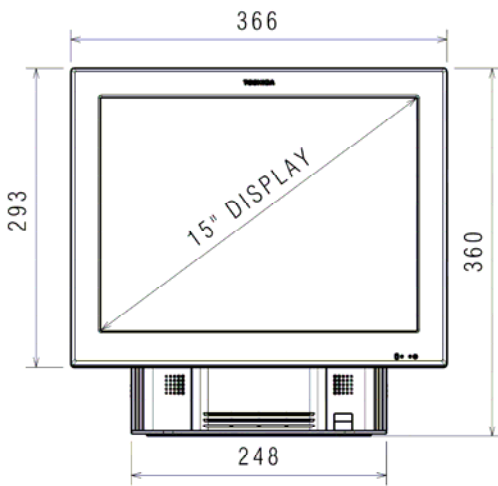
2. APPEARANCE

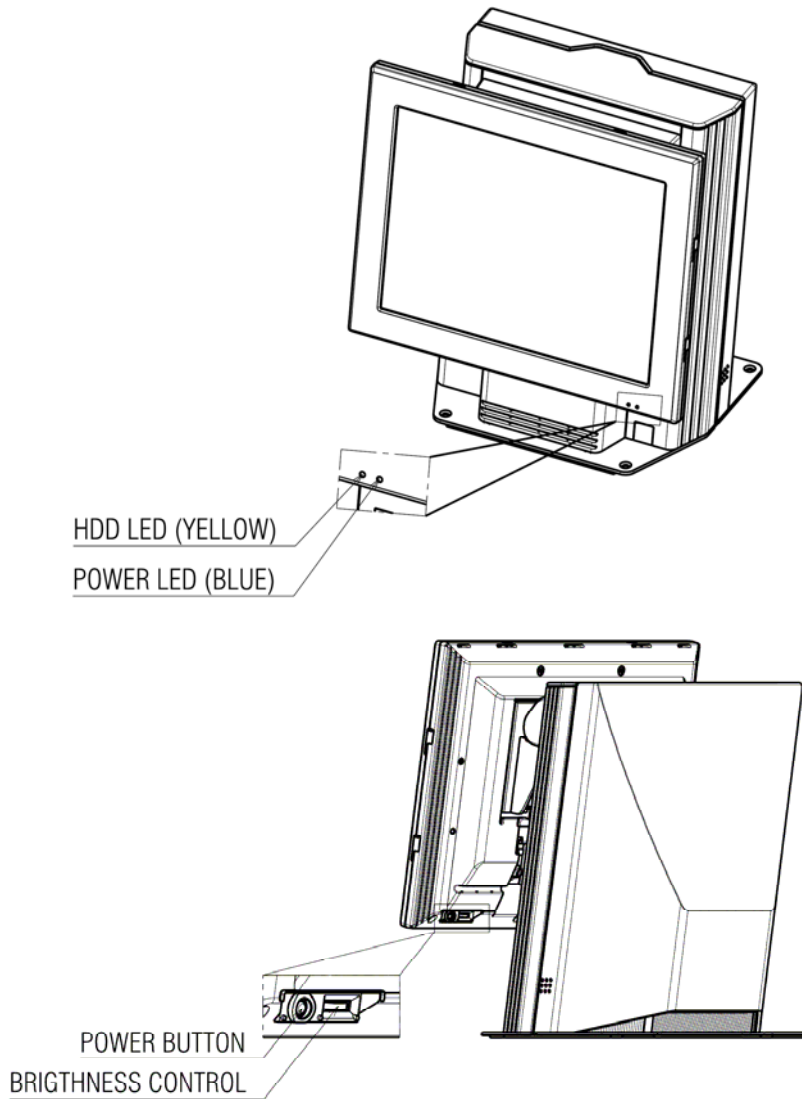
2.1 Standard Model

12-inch display POS terminal



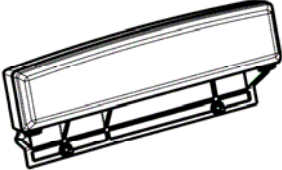
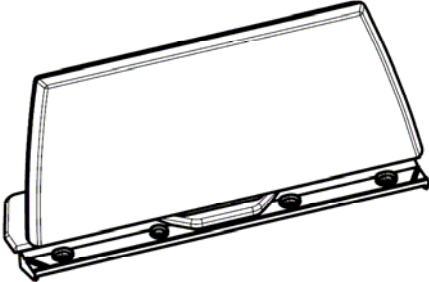
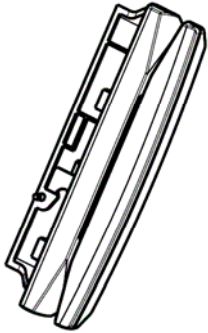
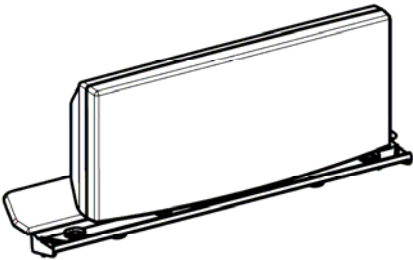
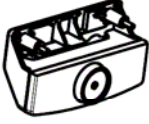
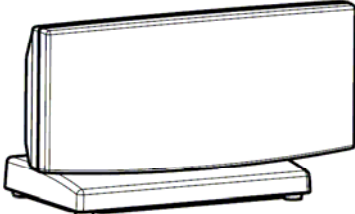
15-inch display POS terminal



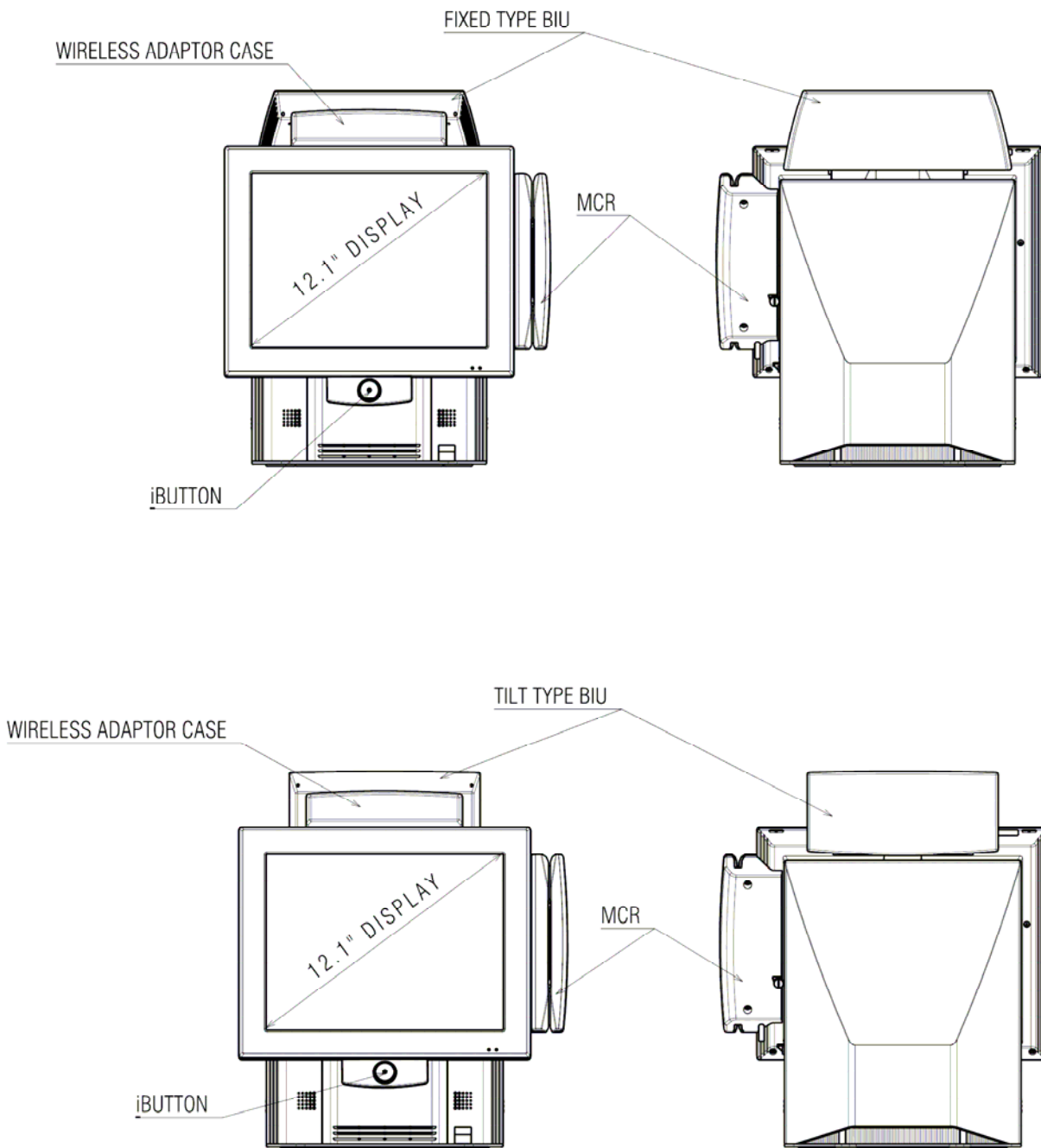


LED and CONTROL BUTTON	DESCRIPTION
Power LED (Blue)	This is the LED to indicate the power ON/OFF status of the POS terminal. The blue LED is illuminated when the power is ON.
HDD LED (Yellow)	The yellow LED is illuminated during the access to the hard disk drive.
Power Switch	This is the switch to turn the power of the POS terminal ON or OFF.
Brightness Control	This is used to adjust the brightness of the operator's display.

2.2 Available Options

<p>Wireless Adaptor Case</p>  A perspective drawing of a rectangular, low-profile device with a slightly raised front edge and a recessed area on top.	<p>Fixed type customer display BIU</p>  A perspective drawing of a rectangular display unit with a flat front panel and a base with mounting feet.
<p>Magnetic Card Reader (MCR)</p>  A perspective drawing of a rectangular device with a slot on the front face for card insertion.	<p>Tilt type customer display BIU</p>  A perspective drawing of a rectangular display unit with a base that allows the front panel to tilt upwards.
<p>iButton</p>  A perspective drawing of a small, rectangular device with a circular button on the front face.	<p>Remote type customer display RIU</p>  A perspective drawing of a rectangular display unit with a base that allows the front panel to be positioned at a distance from the base.

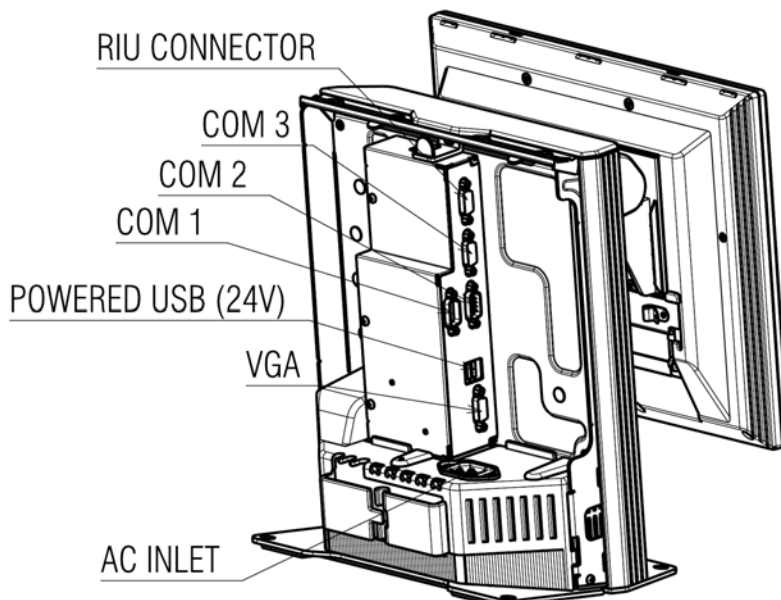
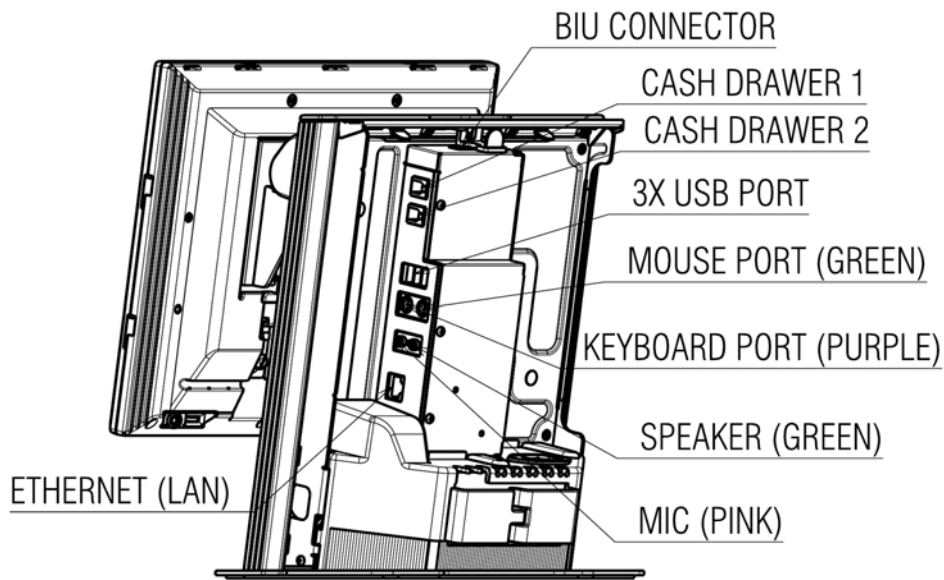
2.3 Examples of POS Terminal with Some Options

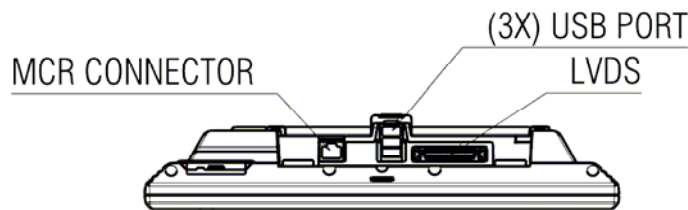


2.4 Connectors

CAUTION!

The drawer interface connector is exclusively for connecting the drawer. Do not connect a phone line or any other cables than the drawer cable to this connector. Doing so may cause a failure of the phone line and this terminal.





Connector	Description
AC inlet	A connector for the AC inlet
PS/2 (Mouse, Keyboard) Mini-DIN 6-pin female type connector	Connector for the PS/2 type mouse, Connector for the PS/2 type keyboard
USB: General 5V USB X 6 USB: 24V Powered X 1	Connector for the USB (Universal Serial Bus) interface USB V2.0/1.1 and UHCI (Conforming to Universal Hub Controller Interface V2.0/1.1) NOTE: <i>USB functions may not be supported depending on the Operating System.</i> USB 6 ports can be used as general 5V USB connectors. Powered USB is a USB socket supplied with power, which is 1 port of 24V USB.
LAN	Modular type connector for the 10BASE-T/100BASE-TX LAN interface, RJ-45 modular connector (with LED)
BIU connector	Connector for integrated Vacuum Fluorescent Display NOTE: <i>When BIU is installed on the POS terminal, RIU is not available.</i>
RIU connector	Connector for external Vacuum Fluorescent Display NOTE: <i>When RIU is installed on the POS terminal, BIU is not available.</i>
Cash drawer	A 24V type TEC interface drawer is connectable
Speaker & Mic	Connectors for Speaker and Mic
VGA	Expandable VGA interface. 15-pin VGA female type connector
COM 1, 2	D-sub 9-pin male type connector (without power)
COM 3	D-sub 9-pin female type connector (with power)
LVDS connector	A connector for Tablet
MCR connector	A connector for magnetic card reader (MCR)

3. INSTALLATION PROCEDURE

WARNING!

Care must be taken not to get your fingers caught between the LCD Frame and the POS terminal when bending the display downward.

CAUTION!

When removing the protective film from the display surface, please be sure to do it slowly. If it is done quickly, static electricity may generate, and the TFT may be damaged.

3.1 Environment for Installation

CAUTION!

When installing the POS terminal, take the following precautions. Failure to do this may cause fire, electric shock, or injury.

1. Avoid locations where it is subject to the following:

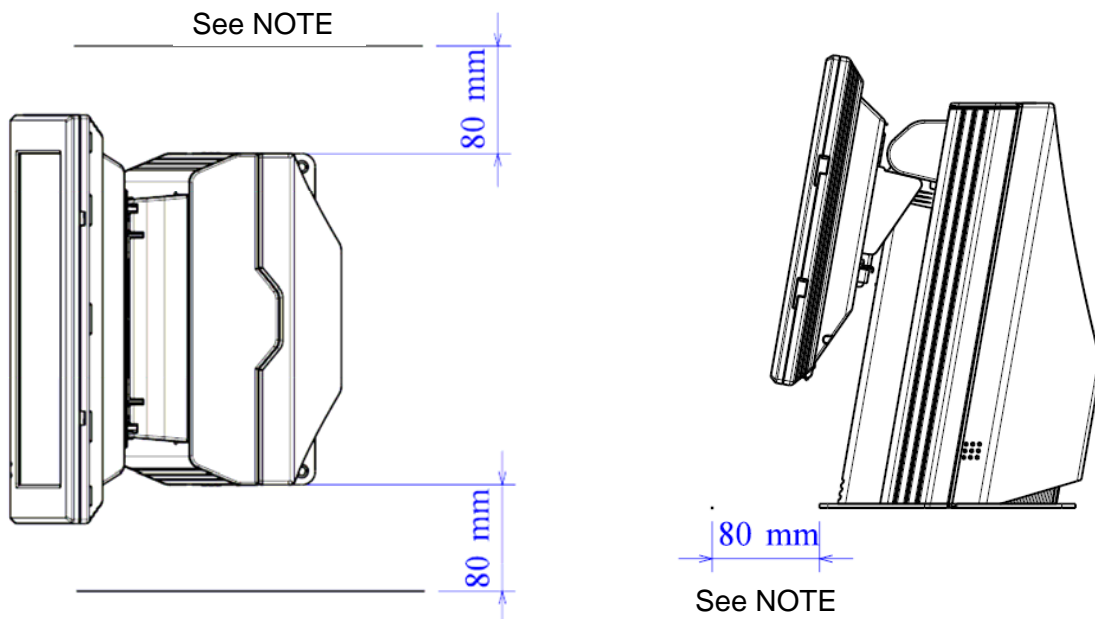
- Direct sunlight
- High temperature, high humidity
- Rapid change in temperature
- Excessive vibration
- Dust

2. Keep away from any devices that emit magnetism or electromagnetic wave.

3. Keep away from flame or moisture.

4. Be sure to place the POS terminal on a level and stable surface.

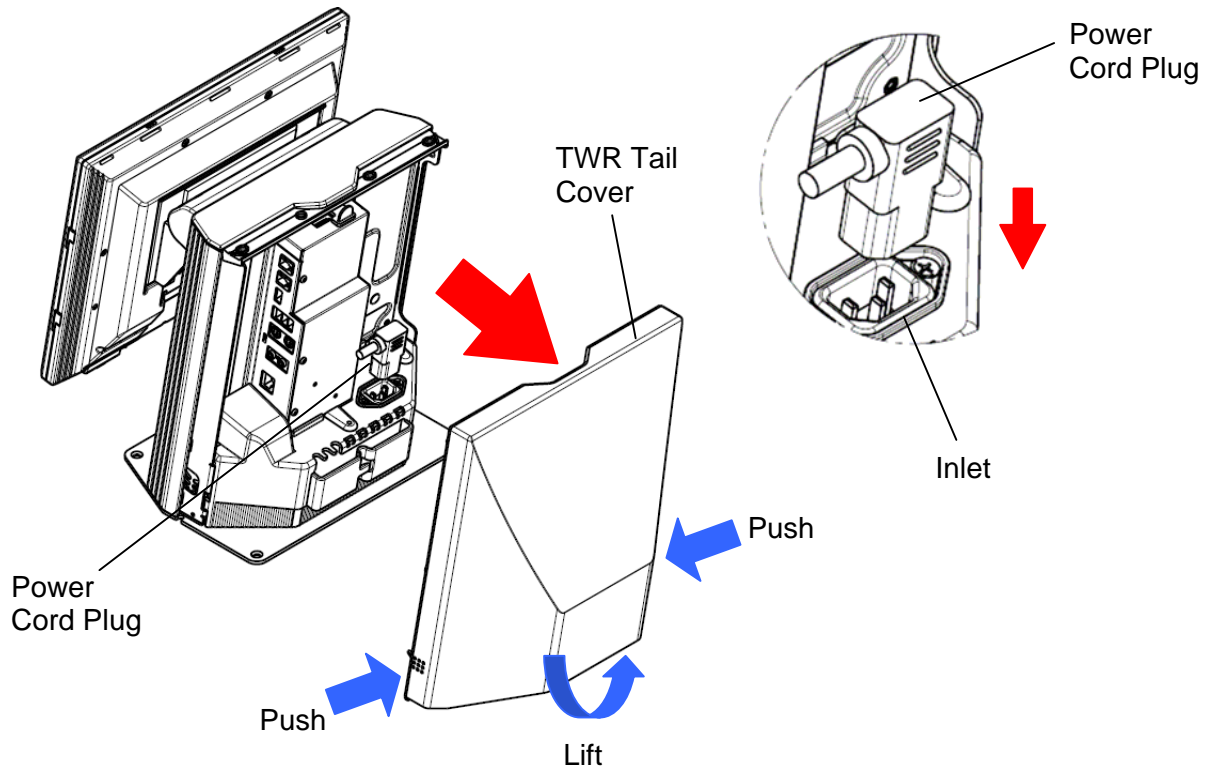
1. Place the POS terminal on a level surface.
2. Provide a minimum space to the left, right, front and rear of the POS terminal for proper cooling. (The unit has air vents and a fan on the front and left. Spaces should be provided to prevent the air vents from being blocked and the airflow from being obstructed.)



NOTE: Do not block the ventilation of the fan. Fan is provided on these sides.

3.2 Connecting the AC Plug

1. Push on both sides of the molded Tower (TWR) Tail Cover to remove it from the system in order to gain access of the AC inlet.
2. Fully insert the Power Cord Plug into the Inlet of the POS terminal.



NOTE: The Power cord is not included in the carton. Please prepare it separately from local dealer.

4. ADJUSTMENT

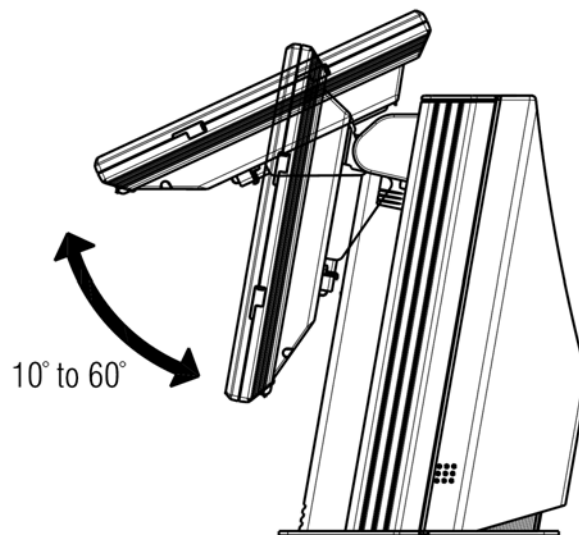
Tilt angle and brightness of the operator's display can be adjusted. Adjustment method is common to both of 12-inch display model and 15-inch display model.

CAUTION!

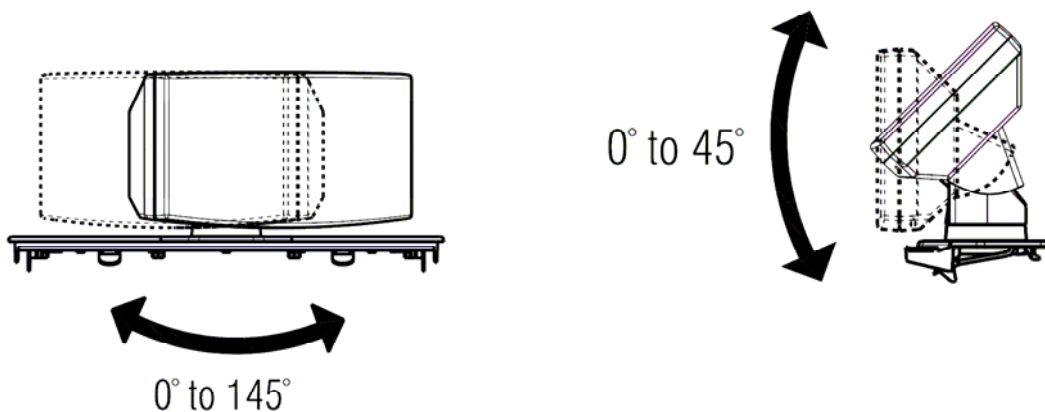
1. Do not adjust the display angle by holding the LCD panel. Doing so may damage the unit. Be sure to hold the LCD frame.
2. Care must be taken not to catch your fingers between POS terminal and the LCD Frame when bending the display backward.

4.1 Tilt Angle Adjustment

The tilt angle of the operator's display can be adjusted freely from 10° to 60°. Hold both sides of the LCD frame, and slowly push the display upward/ downward to your best angle.

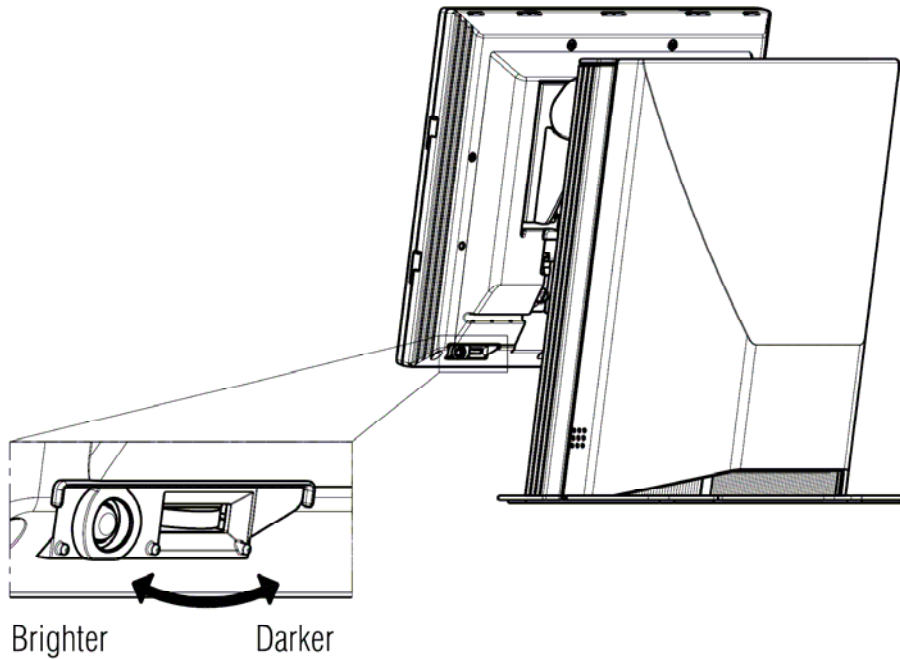


The angle of the optional BIU (Tilt type customer display) is also adjustable as follows.



4.2 Brightness Adjustment

The brightness control is provided on the lower right of the operator's display. Turning it to the left makes the display darker, and turning it to the right makes the display brighter.

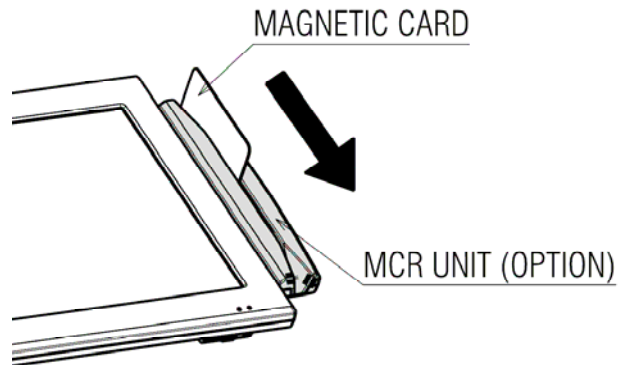


5. MAGNETIC CARD READER (OPTION)

The optional magnetic card reader can be installed.

5.1 How to Read Magnetic Card

Insert the magnetic card into the upper portion of the magnetic card reader slot and slowly move the card downward.



NOTE: Moving the magnetic card too fast or too slowly may cause a read error.

6. **iButton® (OPTION)**

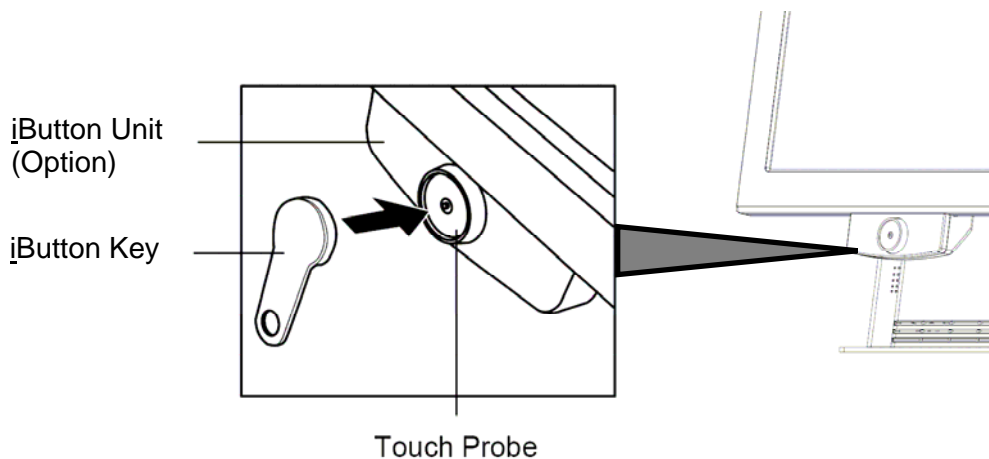
The optional iButton unit can be installed on the bottom of the LCD.

6.1 How to Read iButton

CAUTION!

1. Keep storage media, like a floppy disk, away from the touch probe. The magnet of the touch probe may destroy the stored data.
2. Keep a metal object like a paper clip away from the touch probe. If such an object is attached to the touch probe, it may cause a short-circuit

Data stored in an iButton can be read by attaching the iButton key to the touch probe. The magnet of the touch probe holds the iButton key.



NOTE: iButton key is local procurement

7. GENERAL MAINTENANCE

WARNING!

1. *Be sure to disconnect the power cord prior to performing any maintenance.*
2. *Do not pour water directly on or wipe the operator's display with a soaked cloth, as this may cause fire, electric shock, or machine failure.*

CAUTION!

1. *Never use an organic solvent like thinners or benzene for cleaning. Using such solvents may discolor the covers.*
2. *Do not use any sharp object to clean the operator's display. Doing so may cause an operator's display failure.*
3. *Do not insert the nozzle of an air blower into the magnetic card reader slot. Doing so may damage the scanning head, resulting in the magnetic card reader failure.*

To help retain the high quality and performance of your POS Terminal, it should be cleaned regularly. The greater the usage on the POS Terminal, the more frequent the cleaning. (i.e. low usage = weekly: high usage = daily)

• Cleaning the Operator's Display

Clean the surface of the operator's display with a soft dry cloth or with an electrostatic free cleaner for automated office equipment.

• Cleaning the Covers

Wipe the covers with a soft dry cloth or soft cloth slightly moistened with mild detergent. After using detergent for cleaning, be sure to wipe it off with a slightly moistened cloth.

8. TROUBLESHOOTING

WARNING!

If you cannot solve a problem with the following solutions, do not attempt to repair it by yourself. Turn the power off, unplug the POS Terminal, then contact the nearest TOSHIBA TEC service representative for assistance

Symptom	Check Point	Solution
The power does not turn on.	<ul style="list-style-type: none"> • Is the power cord plugged in correctly? • Is the power supplied to the AC outlet? • Has the circuit breaker blown? 	<ul style="list-style-type: none"> • Plug in correctly. • If it is not a power failure, check for the power supply to the AC outlet with another electric appliance. When the power is not supplied, contact your nearest power company. • Check the circuit breaker.
The operator's display is hard to see	<ul style="list-style-type: none"> • Does the operator's display reflect sunlight or room light? • Is the tilt angle adjusted properly? • Is the brightness adjusted properly? 	<ul style="list-style-type: none"> • Refer to Section 4 Adjustment and adjust the display angle. • Refer to Section 4 Adjustment and adjust the brightness properly.
Magnetic card reader does not read the data.	<ul style="list-style-type: none"> • Does the used card comply with the standard? • Was the card moved too fast or too slowly? • Is the card reading direction correct? 	<ul style="list-style-type: none"> • Use ISO Track 1,2,3 complying MCR. • Move the card at the proper speed. (10~150 cm/sec.) • Insert the card so that the magnetic strip faces the scanning head.

NOTE: *If any problem occurs other than the above, please contact your authorized TOSHIBA TEC representative.*

9. SPECIFICATIONS

9.1 Basic Specifications

Item		Description	
CPU		VIA C7 1.5GHz	
Memory		512 MB, 2 slots (2 GB max)	
HDD		3.5" HDD SATA (40 GB)	
MCR		ISO-3-track one sided type (option)	
iButton Reader		Option	
Interface	RS-232C	4 (2x normal. 1x powered, 1x RIU connector)	
	USB	6	
	Powered USB	1	
	PS/2	PS/2 Keyboard & PS/2 Mouse	
	Drawer	2	
	VGA	1	
	LAN	10BASE-T/100BBASE-TX Ethernet RJ-45 modular connector (with LED)	
	Audio	Line-out/Mic-in	
Operating Temperature		5°C - 40°C / 41F -104F	
Operating Humidity		10%-80% RH (Non condensation)	
Dimensions	12-inch LCD	306mm (L) X 247mm (W) X 339mm (H) / 12" (L) X 9.7" (W) X 13.3" (H)	
	15-inch LCD	366mm (L) X 251mm (W) X 360mm (H) / 14.4" (L) X 9.9" (W) X 14.2" (H)	
Weight	12-inch LCD	10.5 Kg / 23.1lb (Gross)	
	15-inch LCD	11.5 Kg / 25.4 lb (Gross)	
Power Supply		95W Continuous Duty/150W Maximum Internal Switching Supply	
Support OS		Win2000, XP, WEPOS, Linux Suse 9.3	
Operator's Display		12-inch display	15-inch display
	Display type	12.1-inch color TFT with touch panel	15-inch color TFT with touch panel
	Display size	12.1-inch 800 x 600 dots	15-inch 1024 x 768 dots
	Number of Colors	262K Color (262,144 Colors)	262K Color (262,144 Colors)
	Brightness	230 cd/m ²	250 cd/m ²
	Display area	246 mm (W) x 184.5 mm (H)	304.1 mm (W) x 228.1 mm (H)
	Dot size	0.3075 mm (W) x 0.3075 mm (H)	0.297 mm (H) x 0.297 mm (H)
	Touch panel	Analog Resistor Film (1024 x 1024 dots)	Analog Resistor Film (1024 x 1024 dots)
Adjustment mechanism	Brightness volume (TFT) and Tilt angle (Free adjustment in a range of 10° to 60°) No swivel adjustment		
Customer Display (Option)	Number of displayed characters	5 x 7 dot fluorescent display 20 digits x 2 lines	
	Display colour	Blue	
	Display area/ character size	Character size: 5.5 mm (W) x 10.5mm (H) Character pitch: 7.4 mm (W) x 15.5 mm (H)	
	Type font	182 types of half width ANK	
	Display angle (tilt type)	Tilt: 0° to 45° Swivel: 0° to 145° (in both directions)	
	Interface	RS-232C interface (with power)	

9.2 Options

Option	Model	Description					
Drawer Unit	DRWST-51A-4MVK-QM-R DRWST-51A-8MVK-QM-R	24V-drive standard drawer Dimensions and Weight: 460(W) x 400(D) x 115(H) mm / 18.1(W) x 15.7 (D) x 4.5(H) inch 10 Kg / 22 lb Money Case Type: MC4, 8					
	Drawer Type	Type	Bill Holder	Coin Tray	Mini Coin Case	CDC	Remarks
		4MVK-QM	5	5	No	Yes	With media Slot
	8MVK-QM	4	6	1	Yes	With media Slot	
Tilt Type Customer Display	LIUST-A10-BAK-QM-R	Tilt: 0° to 45° Swivel: 0° to 145° (in both direction) 20 Characters x 2 lines dot display to be installed onto the POS terminal					
Fixed Type Customer Display	LIUST-A10-FAK-QM-R	Fixed (no tilt and no swivel) 20 Characters x 2 lines dot display to be installed onto the POS terminal					
Remote Type Customer Display	LIUST-A10-RAK-QM-R	Remote: Connected to terminal with an extended cable 20 Characters x 2 lines dot display to be connected to the POS terminal					
Printer Unit	TRST-A10 /A15 series	Single thermal printer : TRST-A10 Single thermal printer (Dual side printing): TRST-A15					
Magnetic Card Reader (MCR)	MCRST-A10-5K-QM-R	ISO Track 1,2,3 type magnetic card reader kit					
iButton	KIT-A10-BTNK-QM-R	iButton unit to be installed onto the POS terminal (An iButton key is not included)					
Wireless Adaptor Case	KIT-A10-WLCK-QM-R	Case and extension cable only					

English

Waste Recycling information for users:

Following information is only for EU-member states:

The crossed out wheeled bin symbol is used to indicate that the product must not be treated as general household waste. By ensuring that this product is disposed of correctly you will be helping to prevent potentially negative consequences for the environment and human health, which could otherwise be caused by incorrect waste handling of this product. For more detailed information about the take-back and recycling of this equipment, please contact the supplier that provided you with the product in question.



French

Information aux utilisateurs concernant le recyclage des déchets:

Les informations suivantes sont uniquement destinées aux pays membres de l'Union Européenne:

L'utilisation du symbole de "poubelle à roulettes barrée" indique que ce produit ne doit pas être traité comme un déchet ménager classique.

En vous assurant que ce produit est correctement mis au rebut, vous participerez à la prévention de l'environnement et de la santé publique, contre des conséquences négatives potentielles qui pourraient résulter d'un traitement inapproprié des déchets de ce produit. Pour obtenir des informations complémentaires concernant la récupération et le recyclage de ce produit, veuillez contacter le fournisseur auprès duquel vous avez acheté le produit.



German

Wiederverwertungsinformationen für Verbraucher:

Die folgenden Informationen gelten nur für EU-Mitgliedsstaaten:

Das durchgestrichene Mülltonnensymbol weist darauf hin, dass dieses Produkt nicht wie allgemeiner Haushaltsmüll behandelt werden darf.

Indem Sie aktiv mitwirken, dieses Produkt ordnungsgemäß zu entsorgen, helfen Sie mit, mögliche negative Auswirkungen auf die Umwelt sowie die menschliche Gesundheit zu vermeiden, die sonst durch die unsachgemäße Entsorgung dieses Produktes beeinträchtigt werden könnten.

Für nähere Informationen zur Rücknahme und Wiederverwertung dieses Produktes wenden sie sich bitte an den Lieferanten, von dem Sie dieses Produkt erworben haben.



Spanish

Información para usuarios sobre el reciclaje de residuos:

La siguiente información sólo concierne a los Estados Miembros de la UE:

El uso del símbolo de un contenedor con ruedas tachado indica que este producto no puede ser tratado como si fuera un residuo doméstico.

Asegurando que nos deshacemos de este producto de forma correcta, ayudaremos a evitar potenciales consecuencias negativas tanto para el medio ambiente como para la salud pública, que podrían producirse debido a un tratamiento inapropiado de este producto. Para obtener una información más detallada sobre la recogida y reciclaje de su producto, por favor, póngase en contacto con el proveedor donde lo compró.



Dutch

Gebruikersinformatie over het recycleren van afval:

De volgende informatie geldt enkel in EU-lidstaten:

Het symbool met de doorkruiste afvalbak geeft aan dat dit product niet mag worden behandeld als algemeen huishoudelijk afval.

Door dit product op de juiste manier van de hand te doen beschermt u het milieu en de volksgezondheid tegen mogelijke negatieve gevolgen, die anders zouden kunnen voortvloeien uit het onjuist verwerken van de resten van dit product.

Voor gedetailleerde informatie over het terugnemen en recycleren van dit product, gelieve contact op te nemen met de leverancier van dit product.



Italian

Informazioni sul riciclo del prodotto:

Le seguenti informazioni riguardano gli stati membri EU:

Il simbolo con il bidone sbarrato indica il non poter smaltire questo prodotto come rifiuto domestico.

L'accertamento che questo prodotto sia smaltito correttamente contribuirà ad impedire le potenziali conseguenze negative per l'ambiente e la salute umana che potrebbero essere causati, al contrario, dall'errato smaltimento dello stesso. Per informazioni più dettagliate sulle modalità di resa e riciclaggio di questo prodotto mettetevi in contatto con il fornitore da cui l'avete acquistato.



Portuguese

Informação sobre reciclagem:

A informação que se segue é apenas dirigida a países membros da CEE:

A utilização deste símbolo indica que este produto não pode ser tratado como lixo comum.

Ao assegurar-se que este produto é tratado correctamente está a ajudar a prevenir potenciais consequências negativas para o ambiente e para a saúde humana, que poderiam ser causadas pelo inapropriado tratamento deste produto.

Para mais informação sobre a reciclagem e tratamento deste produto, contacte o seu fornecedor.





Free Manuals Download Website

<http://myh66.com>

<http://usermanuals.us>

<http://www.somanuals.com>

<http://www.4manuals.cc>

<http://www.manual-lib.com>

<http://www.404manual.com>

<http://www.luxmanual.com>

<http://aubethermostatmanual.com>

Golf course search by state

<http://golfingnear.com>

Email search by domain

<http://emailbydomain.com>

Auto manuals search

<http://auto.somanuals.com>

TV manuals search

<http://tv.somanuals.com>