

Toshiba Personal Computer

Satellite M40

Maintenance Manual

TOSHIBA CORPORATION

S/ No.

Copyright

© 2004 by Toshiba Corporation. All rights reserved. Under the copyright laws, this manual cannot be reproduced in any form without the prior written permission of Toshiba. No patent liability is assumed with respect to the use of the information contained herein.

Toshiba Satellite M40 Maintenance Manual

Second edition Aug 2004

Disclaimer

The information presented in this manual has been reviewed and validated for accuracy. The included set of instructions and descriptions are accurate for the Satellite M40 at the time of this manual's production. However, succeeding computers and manuals are subject to change without notice. Therefore, Toshiba assumes no liability for damages incurred directly or indirectly from errors, omissions, or discrepancies between any succeeding product and this manual.

Trademarks

Intel and Pentium are registered trademarks of Intel Corporation.

IBM, IBM PC/XT, PC/AT, PS/2 and OS/2 are registered trademarks of IBM Corporation.

MS-DOS and Windows XP home edition are registered trademarks of Microsoft Corporation.

Sound Blaster and Pro are trademarks of Creative Technology Ltd.

UNIX is a registered trademark of X/Open Company Ltd.

NetWare are registered trademarks of Novell, Inc.

All other properties are trademarks or registered trademarks of their respective holders.

Preface

This maintenance manual describes how to perform hardware service maintenance for the Toshiba Personal Computer Satellite M40, referred to as Satellite M40 in this manual.

The procedures described in this manual are intended to help service technicians isolate faulty Field Replaceable Units (FRUs) and replace them in the field.

SAFETY PRECAUTIONS

Four types of messages are used in this manual to bring important information to your attention. Each of these messages will be italicized and identified as shown below.

DANGER: “Danger” indicates the existence of a hazard that could result in death or serious bodily injury, if the safety instruction is not observed.

WARNING: “Warning” indicates the existence of a hazard that could result in bodily injury, if the safety instruction is not observed.

CAUTION: “Caution” indicates the existence of a hazard that could result in property damage, if the safety instruction is not observed.

NOTE: “Note” contains general information that relates to your safe maintenance service.

Improper repair of the computer may result in safety hazards. Toshiba requires service technicians and authorized dealers or service providers to ensure the following safety precautions are adhered to strictly.

- ✍ Be sure to fasten screws securely with the right screwdriver. If a screw is not fully fastened, it could come loose, creating a danger of a short circuit, which could cause overheating, smoke or fire.
- ✍ If you replace the battery pack, RTC battery or backup battery, be sure to use only the same model battery or an equivalent battery recommended by Toshiba. Installation of the wrong battery can cause the battery to explode.

The manual is divided into the following parts:

- Chapter 1 Hardware Overview describes the Toshiba Satellite M40 system unit and each FRU.
- Chapter 2 Troubleshooting Procedures explains how to diagnose and resolve FRU problems.
- Chapter 3 Test and Diagnostics describes how to perform test and diagnostic operations for maintenance service.
- Chapter 4 Replacement Procedures describes the removal and replacement of the FRUs.
- Appendices The appendices describe the following:
 - ✍ Handling the LCD module
 - ✍ Board layout
 - ✍ Keyboard scan/character codes
 - ✍ Key layout
 - ✍ Wiring diagrams
 - ✍ BIOS Rewrite Procedures

Conventions

This manual uses the following formats to describe, identify, and highlight terms and operating procedures.

Acronyms

On the first appearance and whenever necessary for clarification acronyms are enclosed in parentheses following their definition. For example:

Read Only Memory (ROM)

Keys

Keys are used in the text to describe many operations. The key top symbol as it appears on the keyboard is printed in **boldface** type.

Key operation

Some operations require you to simultaneously use two or more keys. We identify such operations by the key top symbols separated by a plus (+) sign. For example, **Ctrl + Pause (Break)** means you must hold down **Ctrl** and at the same time press **Pause (Break)**. If three keys are used, hold down the first two and at the same time press the third.

User input

Text that you are instructed to type in is shown in the boldface type below:

DISKCOPY A: B:

The display

Text generated by the XXXXX that appears on its display is presented in the type face below:

Format complete
System transferred

Table of Contents

Chapter 1 Hardware Overview

1.1	Features	1-1
1.2	System Unit Components.....	1-8
1.3	2.5-inch HDD	1-14
1.4	DVD-ROM Drive	1-15
1.5	CD-RW/DVD-ROM Drive.....	1-16
1.6	DVD Multi.....	1-17
1.7	DVD-R/-RW	1-18
1.8	DVD Dual.....	1-19
1.9	DVD Super Multi.....	1-20
2.0	Power Supply.....	1-21
2.1	Batteries.....	1-22
1.1.1	Main Battery	1-22
1.1.2	Battery Charging Control.....	1-22
1.1.3	RTC Battery.....	1-23

Chapter 2 Troubleshooting

2.1	Outline	2-1
2.2	Basic Flowchart.....	2-2
2.3	Power Supply.....	2-6
	Procedure 1 Power Icon Check.....	2-6
	Procedure 2 Connection Check.....	2-8
	Procedure 3 Replacement Check	2-8
2.4	System Board.....	2-9
	Procedure 3 Replacement Check	2-10
2.5	2.5-inch HDD	2-11
	Procedure 1 Message Check	2-11

	Procedure 2	Partition Check.....	2-11
	Procedure 3	Format Check	2-12
	Procedure 4	Test Program Check.....	2-13
	Procedure 5	Connector Check and Replacement Check	2-14
2.6		Keyboard.....	2-15
	Procedure 1	Test Program Check	2-15
	Procedure 2	Connector Check and Replacement Check.....	2-15
2.7		Display.....	2-16
	Procedure 1	External Monitor Check.....	2-16
	Procedure 2	Test Program Check.....	2-16
	Procedure 3	Connector Check and Replacement Check	2-16
2.8		ODD (Optical Disk Drive).....	2-18
	Procedure 1	ODD Cleaning Check.....	2-18
	Procedure 2	Test Program Check.....	2-18
	Procedure 3	Connector Check and Replacement Check	2-18
2.9		LAN.....	2-20
	Procedure 1	Test Program Check.....	2-20
	Procedure 2	Connector Check and Replacement Check	2-20
2.10		SD Card/Memory Stick(Optional)	2-21
	Procedure 1	Test Program Check.....	2-21
	Procedure 2	Connector Check	2-21
2.11		Parallel Port(Optional)	2-22
	Procedure 1	Test Program Check.....	2-22
	Procedure 2	Connector Check	2-22
2.12		Audio Test	2-23
	Procedure 1	Test Program Check	2-23
	Procedure 2	Connector Check and Replacement Check.....	2-23
2.13		IEEE 1394 Test(Optional)	2-24
	Procedure 1	Test Program Check.....	2-24
	Procedure 2	Connector Check	2-24

2.14	Cooling Module.....	2-25
	Procedure 1 Test Program Check.....	2-25
	Procedure 2 Connector Check and Replacement Check	2-25

Chapter 3 Diagnostic Programs

3.1	General	3-1
3.2	Quick Start.....	3-3
3.3	Option.....	3-9
3.4	Subtests	3-18
3.5	System Test.....	3-22
3.6	Memory Test.....	3-29
3.7	Storage	3-34
3.8	Video.....	3-39
3.9	Audio	3-58
3.10	Mode Error Codes and description.....	3-59

Chapter 4 Replacement Procedures

4.1	General	4-1
4.2	Wireless Lan Card.....	4-18
4.3	HDD.....	4-20
4.4	Switch Cover and Hotkey Board.....	4-23
4.5	Keyboard.....	4-25
4.6	ODD Bay Module	4-27
4.7	Display Assembly	4-30
4.8	Top Cover	4-32
4.9	Speakers.....	4-35
4.10	Cooling Module.....	4-37
4.11	CPU	4-40
4.12	System Board.....	4-43
4.13	North Bridge Cooling Module and MDC cable	4-45
4.14	Display Mask	4-47
4.15	FL Inverter Board	4-49
4.16	LCD Module.....	4-51
4.17	LED Board.....	4-57
4.18	Touch Pad.....	4-59

Appendices

Appendix A	Handling the LCD Module	A-1
Appendix B	Board Layout.....	B-1
Appendix C	Keyboard Scan/Character Codes.....	C-1
Appendix D	Key Layout.....	D-1
Appendix E	Wiring Diagrams	E-1
Appendix F	BIOS Rewrite Procedures.....	F-1
Appendix G	EC/KBC Rewrite Procedures	G-1

Chapter 1

Hardware Overview

Chapter 1 Contents

1.1 Features.....	1
1.2 System Unit Components	11
1.3 2.5-inch HDD.....	18
1.4 DVD-ROM Drive.....	19
1.5 CD-RW/DVD-ROM Drive	20
1.6 DVD Dual (Double Layer).....	21
1.7 DVD Super Multi.....	22
1.8 DVD Super Multi (Double Layer)	23
1.9 Power Supply	24
2.0 Batteries	25
1.1.1 Main Battery	25
1.1.2 Battery Charging Control.....	25
1.1.3 RTC Battery.....	26

Figures

Figure 1- 1 id_10_10g Parts description placement6
Figure 1- 2 id_10c_10gc Parts description placement7
Figure 1- 3 id_JP Parts description placement8
Figure 1- 4 The computer Block diagram9
Figure 1- 5 System Board configuration.....10
Figure 1- 6 System unit block diagram.....11
Figure 1- 7 2.5-inch HDD.....18
Figure 1- 8 DVD-ROM drive19

Tables

Table 1- 1 2.5-inch HDD specifications.....18
Table 1- 2 DVD-ROM drive specifications19
Table 1- 3 CD-RW/DVD-ROM drive specifications20
Table 1- 4 DVD-Dual(Double Layer) drive specifications21
Table 1- 5 DVD Super Multi drive specifications22
Table 1- 6 DVD Super Multi drive (Double Layer) specifications.....23
Table 1- 7 Battery specifications25
Table 1-8 Quick/normal charging time25

1.1 Features

The Toshiba Satellite M40/M45 TECRA A4 dynabook VX/4 is a full size notebook PC based on the Intel Pentium M (Dothan) and Celeron M processor, providing high-speed processing capabilities and advanced features. The computer employs a Lithium Ion battery that allows it to be battery-operated for a longer period of time. The display uses 15.4-inch WXGA and WSXGA+ LCD panel, at a resolution of 1280 by 800 pixels (WXGA) and 1680 by 1050 pixels (WSXGA+), The PGA socket supports BTO/CTO for the CPU so that the system can be designed to suit your needs.

The computer has the following features.

✎ Processor

The CPU is the Intel Pentium M (Dothan) Processor and Intel Celeron M.

Intel Dothan Processor (533MHz)

730(1.6G)/740(1.73G)/750(1.86G)/760(2.0G)/770(2.13G) Hz

Intel Celeron M Processor (400MHz)

350(1.3G)/360(1.4G)/370(1.5G) Hz.

Japan Model Use:

Intel Dothan Processor (533MHz)

730(1.6G)

Intel Celeron M Processor (400MHz)

350(1.3G)

✎ Host bridge system controller

System controller: Intel 915 GM/PM

Japan Model Use : Intel 915 GM

✎ Memory

The computer has two SO DIMMs slot comes standard with DDR 2700 module. It supports PC2700 and uses SO DIMMs (DDR SDRAM) driven at 2.5 V, accepting BTO/CTO for your memory requirements. It can incorporate up to 2 GB of main memory.

using the following sizes of memory modules:

- ✎ 128 MB (8M? 16? 8P)
- ✎ 256 MB (16M? 16? 8P)
- ✎ 512 MB (32M? 16? 8P)
- ✎ 1024 MB (64Mx16x8P)

Japan Model Use : 256 MB (16M? 16? 8P)
512 MB (32M? 16? 8P)

✎ Hard Disk Drive (HDD)

The computer accommodates one 2.5-inch HDD with any of the following storage capacities:

- ✎ 30 GB (9.5 mm thick) ATA (4,200rpm)
- ✎ 40 GB (9.5 mm thick) ATA (4,200rpm)
- ✎ 60 GB (9.5 mm thick) ATA (4,200rpm)
- ✎ 80 GB (9.5 mm thick) ATA (4,200rpm)
- ✎ 100 GB (9.5 mm thick) ATA (4,200rpm)
- ✎ 120 GB (9.5 mm thick) ATA (4,200rpm)
- ✎ 40 GB (9.5 mm thick) ATA (5,400rpm)
- ✎ 60 GB (9.5 mm thick) ATA (5,400rpm)
- ✎ 80 GB (9.5 mm thick) ATA (5,400rpm)
- ✎ 100 GB (9.5 mm thick) ATA (5,400rpm)
- ✎ 120 GB (9.5 mm thick) ATA (5,400rpm)

✎ ODD

The ODD can accommodate a CD-ROM, DVD-ROM, CD-RW/DVD ROM, DVD+-R/+RW, DVD Super Multi ,DVD Super Multi (Double Layer)drives.

✎ Display

The LCD displays available come in the following four sizes:

- ✎ 15.4" WXGA-Non CSV/15.4" WXGA-CSV/15.4" WXGA-CSV(High brightness)/15.4" WSXGA+-Non CSV color display, resolution 1280?800/1680?1050,262,144 colors with dithering.

Japan Model Use : 15.4"WXGA-CSV(High brightness)

✎ Keyboard

The keyboard has 29 kinds countries key.

✎ Batteries

The computer has a removable 6 Cell or 12 Cell Lithium Ion battery pack and an internal RTC battery (rechargeable).

✎ Universal Serial Bus (USB) ports

The computer has three USB 1.1/2.0 ports, It is supported to daisy-chain a maximum of 127 USB devices. The serial data transfer rate is 480 Mbps or 12 Mbps and 1.5 Mbps These ports support PnP installation and hot plugging.

✎ External monitor port

A 15-pin external monitor port is provided, through which the computer automatically recognizes an external VESA DDC 2B compatible monitor.

✎ PC Card slot

A PC Card slot is provided to hold PC Card Standard Type II (5.0 mm) card, capable of using a variety of PC Cards including 16-bit Multiple Function PC Cards and 32-bit CardBus cards.

PC card HDD boot does Not be supported.

✎ SD/MS(MS Pro)/SM//MMC/XD Card

This slot is for your memory card requirements to provide memory card read on your computer

✎ Toshiba Pointing Device

Toshiba Pointing Device has one kind of Synaptics TouchPad with two buttons.

✎ Sound system

The AD1981B integrated audio controller supports multimedia. The sound system contains the following:

- ✎ Stereo speakers
- ✎ Headphone jack
- ✎ Internal microphone
- ✎ External microphone jack

✎ LAN

The internal LAN board supports 10/100 Mbit and Giga-bit for BT, enabling connection to a LAN at up to 1Gbps. It also supports Wake-up On LAN From S3/S4/S5 and PXE boot support. The LAN board has the RJ45 jack to directly accommodate a LAN cable.

✎ Wireless LAN

The internal Mini PCI Card slot supports IEEE802.11a/g(11ch)/ IEEE802.11g(11ch)/ IEEE802.11a/g(13ch)/ IEEE802.11g(13ch)/IEEE802.11a/g(14ch)/ IEEE802.11g(14ch) card. The Antenna has three wires dual band antenna support with Blue tooth for BT.

✎ Internal Modem

The computer contains a MDC, enabling data and fax communication. It supports ITU- T V.90 (for rest countries)/V.92(America, Canada,UK,Germany,France) The transfer rates are 56 Kbps for data reception, 33.6 Kbps for data transmission, and 14,400 bps for fax transmission. Note, however, that the actual speed depends on the line quality. The RJ11 modem jack is used to accommodate a telephone line.

✎ IEEE 1394

The IEEE 1394 serial data transfer rate is 400 Mbps, These ports support hot plugging.

✎ Parallel Port(optional)

The Parallel Port is optional integrated device. to supported connect a printer or another parallel device. The port is IEEE-1284 compliant and supports Extended Capabilities Port (ECP).

✎ CD Key(optional)

The CD Key supports to play Audio CD directly.

✎ PCI Express Slot

The ICH6 provides PCI Express root ports which are compliant to the PCI Express Base Specification ,Revision 1.0a.The Root Port supports 2.5Gb/s bandwidth in each direction (5 Gb/s concurrent) and two virtual channels for full isochronous data support.

✎ Fast Serial Infrared (FIR) communications port(optional)

The FIR Port is optional integrated device. It provided an IrDA 1.1 compatible FIR port , enabling wireless communication at a high speed of 1.15 or 4 Mbps.

Figures 1-1/1-2 and 1-3 show the computer and its system unit configuration, respectively.

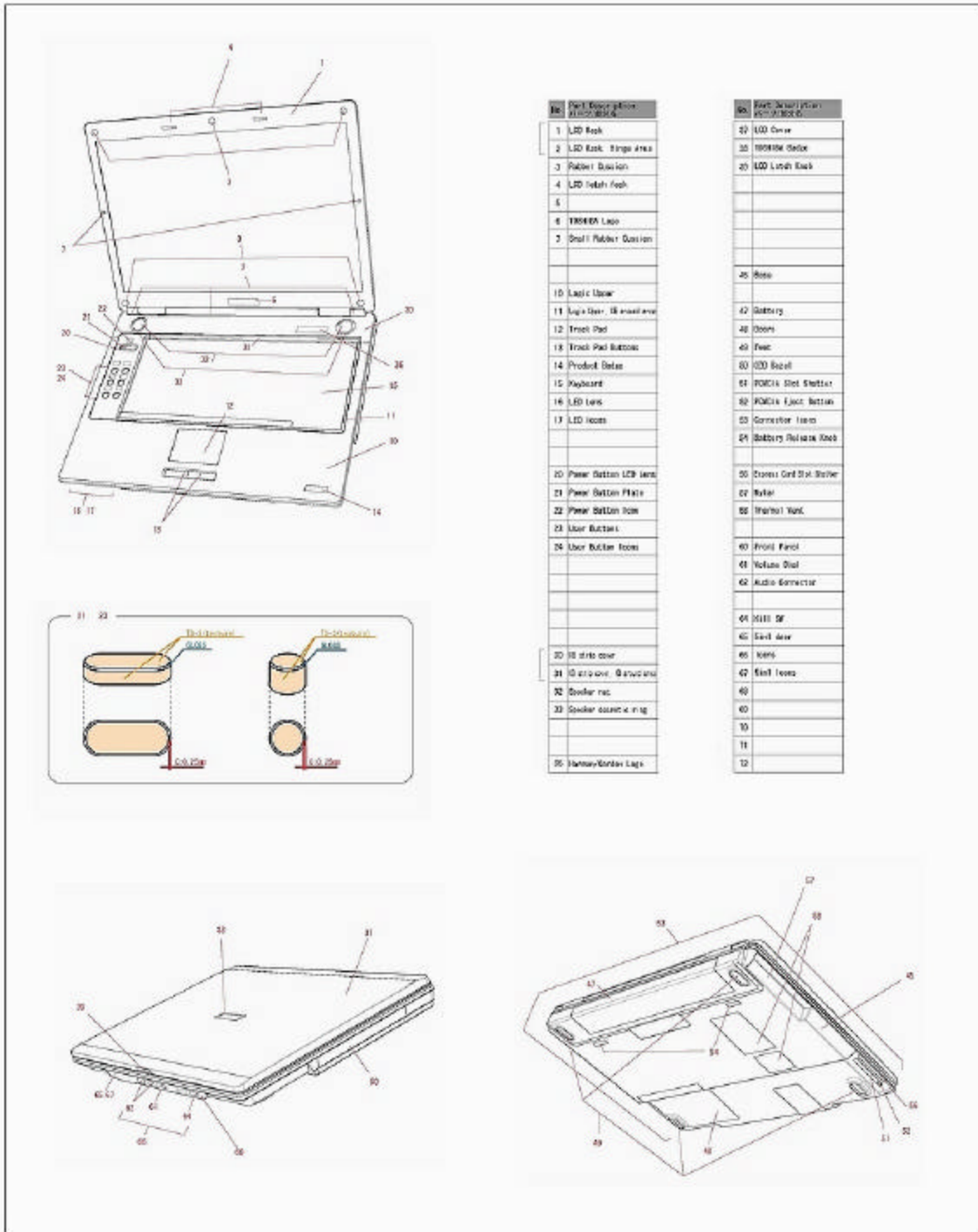


Figure 1-1 id_10_10g Parts description placement

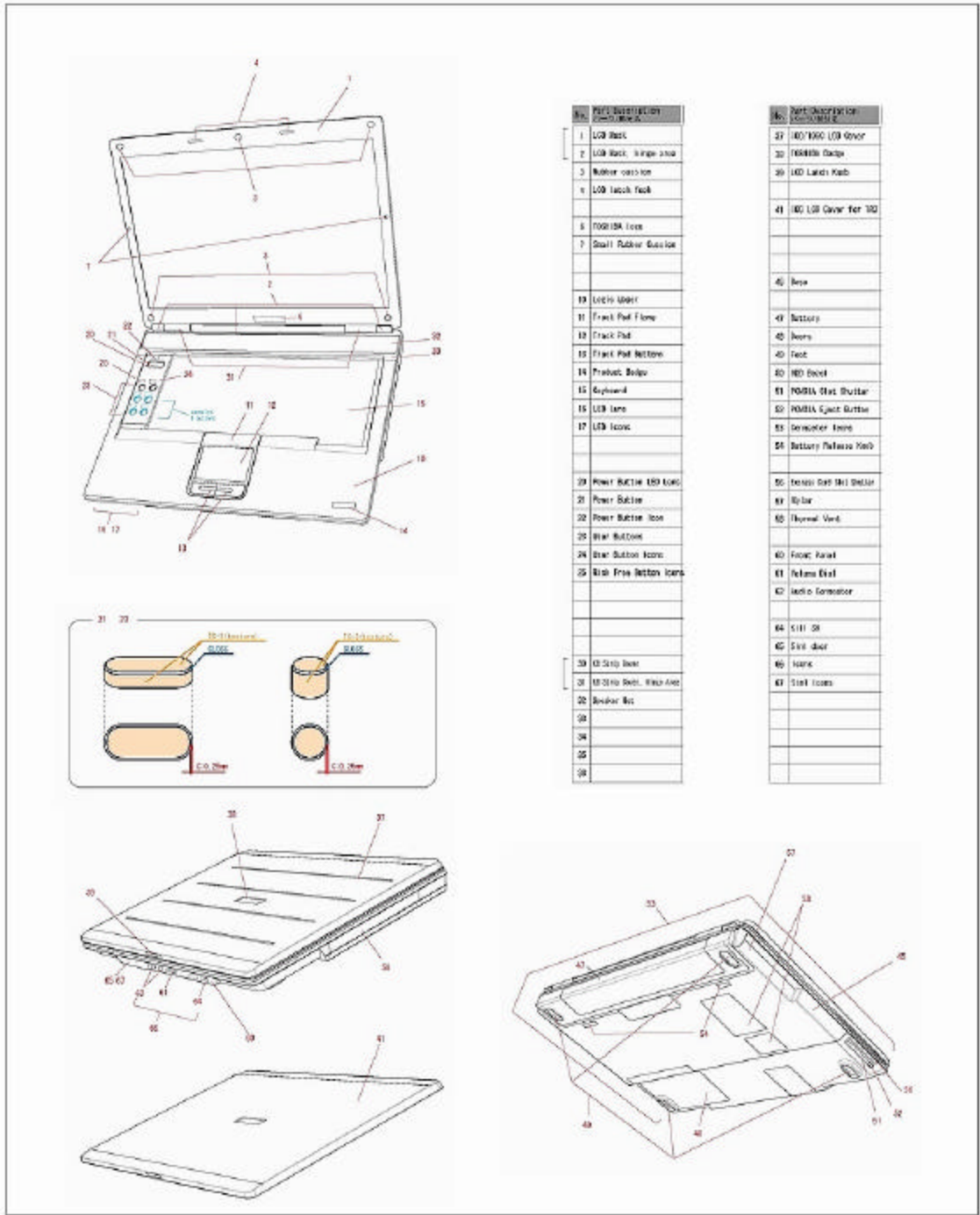


Figure 1-2 id_10c_10gc Parts description placement

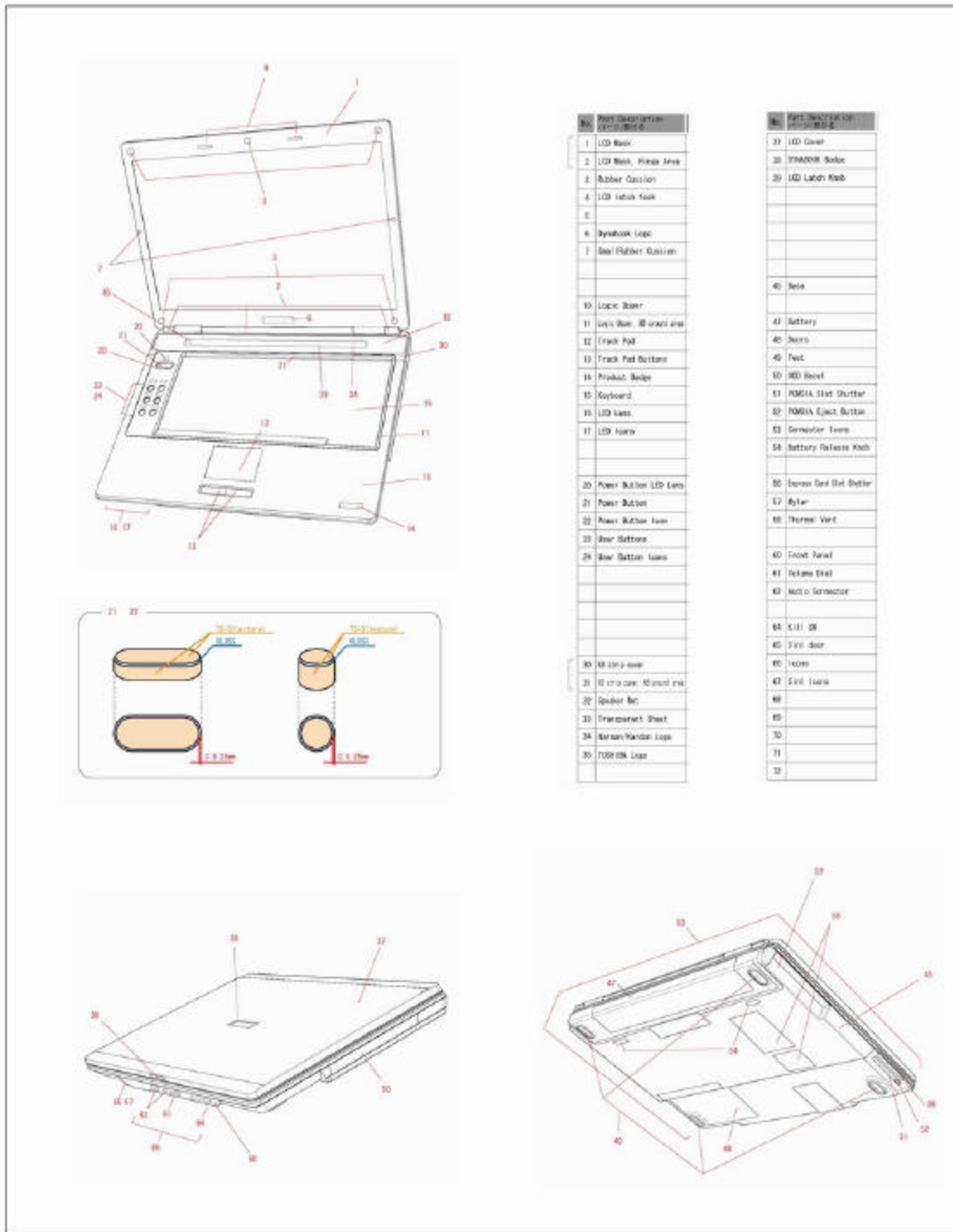


Figure 1- 3 id_JP Parts description placement

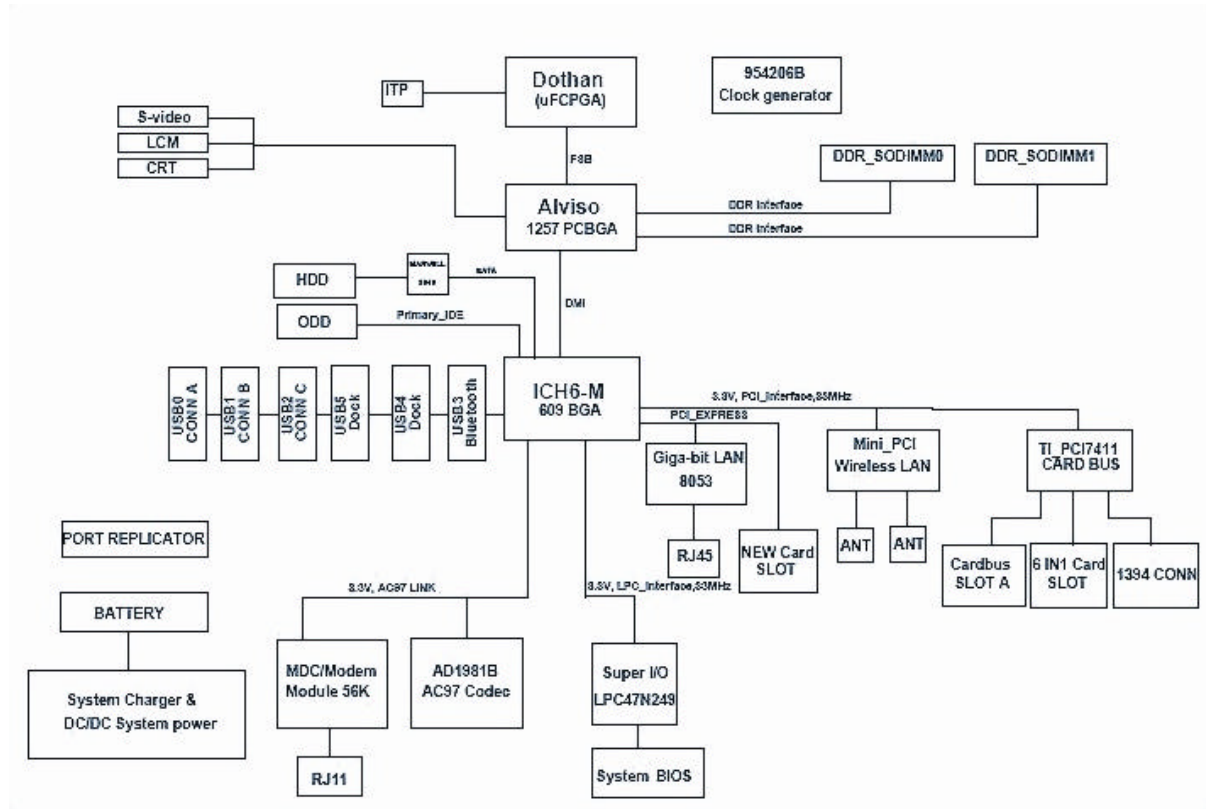


Figure 1- 4 The computer Block diagram

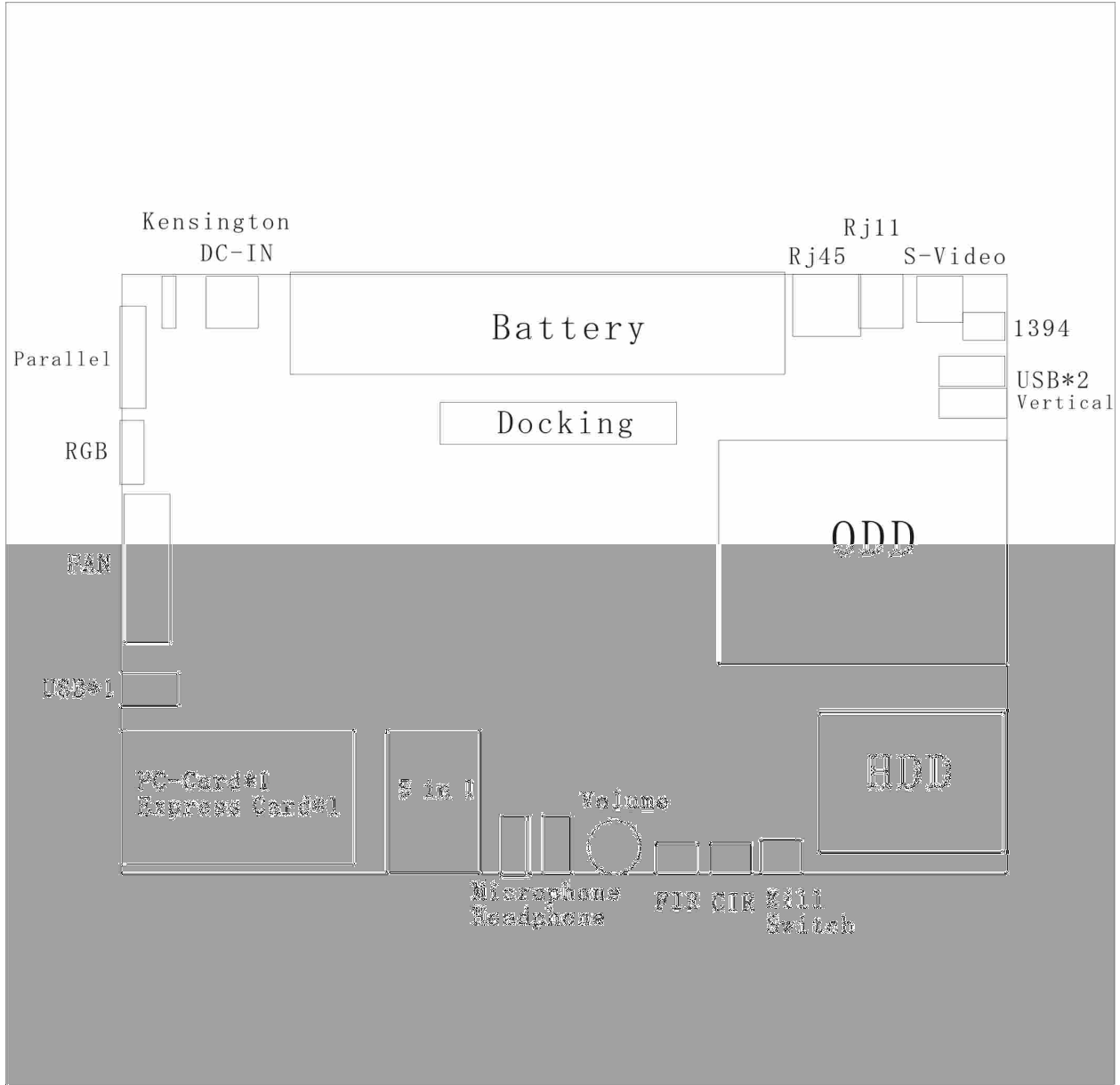


Figure 1-5 System Board configuration

1.2 System Unit Components

Figure 1-6 is a block diagram of the system unit.

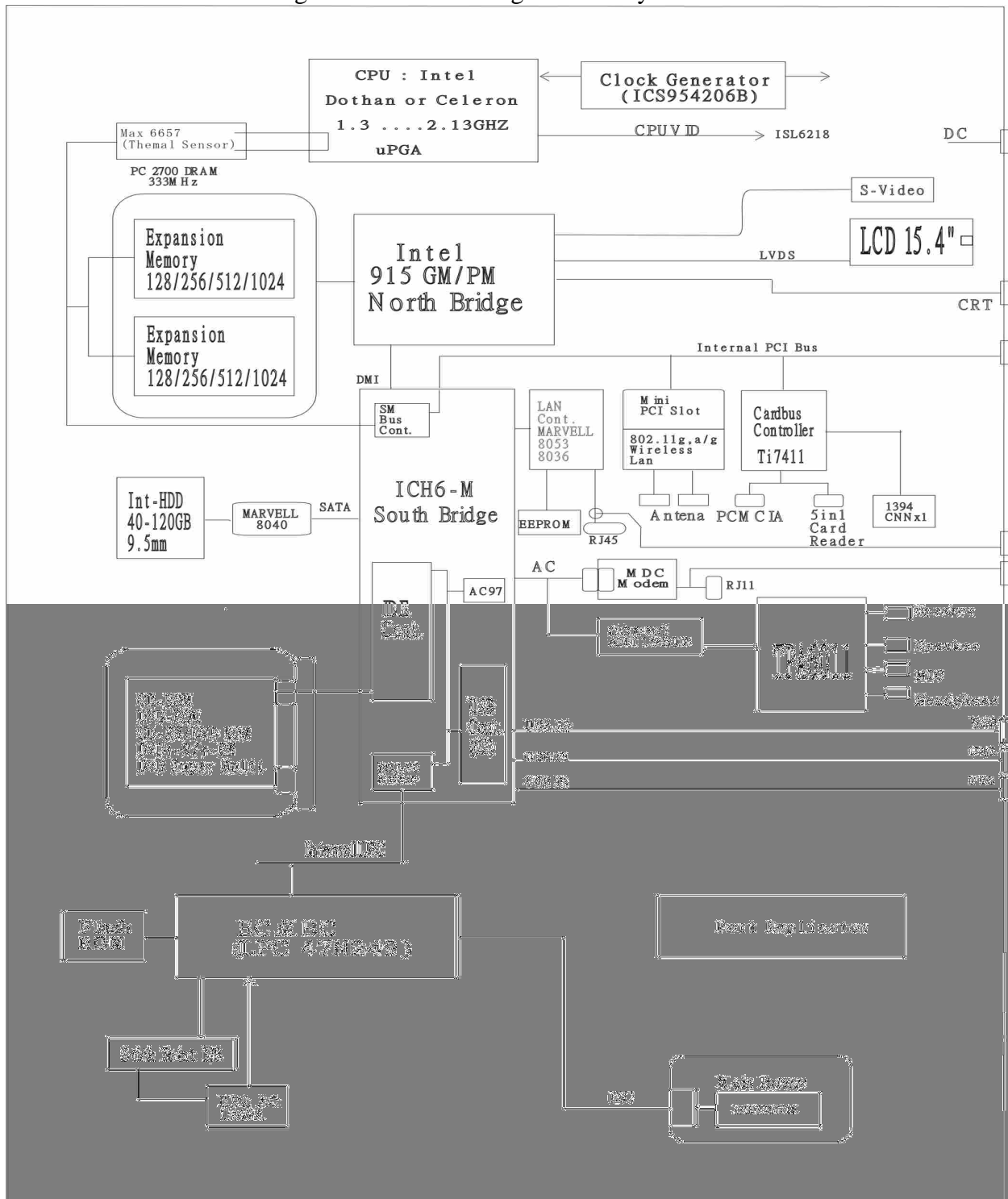


Figure 1-6 System unit block diagram

The system unit of the computer consists of the following components:

✎ Processor: Intel Pentium M (Dothan) Processor and Celeron M

✎ Intel Dothan Processor (533MHz)

- ? Core speed: 1.6/1.73/1.86/2.0/2.13 GHz
- ? System bus: 533 MHz
- ? On-die level 2 cache 2 MB
- ? Advanced Power Management features including Enhanced Intel ® SpeedStep ® technology

✎ Celeron-M (400MHz)

- ? Core speed: 1.3/1.4/1.5 GHz
- ? System bus: 400 MHz
- ? On-die level 2 cache 1 MB

✎ Memory

Two expansion memory slots were provided, They can hold 128/256/512/1024MB expansion memory modules available as options to grow up to 2.0 GB.

✎ PC2700/333MHz DDR SDRAM supported

✎ 128/256/512/1024MB modules supported

- ? 128 MB (16M x 16 x 4P)
- ? 256 MB (16M x 16 x 8P)
- ? 512 MB (32M x 16 x 8P)
- ? 1024 MB (64M x 8 x 16P)

✎ 2.5 volt operation

✎ No parity bit

✎ 64-bit data transfer

✎ BIOS ROM (flash EEPROM)

✎ 4Mb x 1 chip (512KB flash parts)

- ? 33kb used for EC BIOS
- ? 51kb used for VGA BIOS
- ? 40kb used for pxe boot
- ? 4kb used for logo
- ? 7kb used for USB
- ? 15kb used for SCU
- ? 14kb used for PCI
- ? 2kb used for ACPI
- ? 14kb used for PNP
- ? 30kb used for PM
- ? 50kb used for system BIOS
- ? 8kb used for micro code
- ? 2kb used for DMI
- ? 4kb used for password
- ? 26kb used for boot load
- ? 1kb used for IMAG002
- ? 2kb used for DYNALOGO
- ? 2kb used for TSBDEV
- ? 4kb used for OSB_CMT
- ? 4kb used for OSB_PMP
- ? 11kb used for DISPSEG
- ? 4kb used for OWNER_ROM
- ? 40kb used for GIGA
- ? 8kb used for TSBOEM
- ? 1kb used for CBboot
- ? 156kb reserved

✎ System controllers

✎ North Bridge: Intel 915 GM

- ? CPU interface and control
- ? System Memory Support
- ? PCI Express* Graphics (PEG) Interface
- ? Integrated Display Interface Support
- ? Internal Graphics Features
- ? Direct Media Interface (DMI)
- ? Power Management

✎ North Bridge: Intel 915 PM

- ? CPU interface and control
- ? System Memory Support
- ? PCI Express* Graphics (PEG) Interface
- ? Direct Media Interface (DMI)
- ? Power Management

✎ South Bridge: ICH6-M

- ? Direct Media Interface (DMI)
- ? PCI Express* Interface
- ? Serial ATA (SATA) Controller
- ? Advanced Host Controller Interface (AHCI)
- ? PCI Interface
- ? IDE Interface
- ? Low Pin Count (LPC) Interface
- ? Compatibility Modules
- ? Advanced Programmable Interrupt Controller (APIC)
- ? Universal Serial Bus (USB) Controller
- ? Lan Controller
- ? Alert Standard Format (ASF) Management Controller
- ? RTC
- ? GPIO
- ? Enhanced Power Management
- ? Manageability
- ? System Management Bus (SMBus 2.0)
- ? Intel High Definition Audio Controller
- ? AC '97 2.3 Controller

✎ PC Card controller

✎ TI PCI7411

- ? CardBus/PC Card controller
- ? 16-bit PCMCIA and 32-bit CardBus.
- ? SD/MS/MS Pro/MMC/SM/XD Card controller
- ? IEEE 1394 Controller

✎ Audio Controller

The AD1981B integrated audio controller supports multimedia. The sound system feature contains the following:

- ✎ Variable Sample Rate Audio
- ✎ External Audio Power –Down Control
- ✎ Integrated Stereo Headphone Amplifier
- ✎ Stereo Full-Duplex Codec
- ✎ 20-Bit PCM DAC
- ✎ Dual MIC Input with Built-In Programmable Preamp
- ✎ High Quality CD Input with Ground Sense.

- ✎ KBC/EC (Keyboard Controller/Embedded Controller)

A single LPC 47N249 chip is used to serve as KBC/ EC and Super IO.

- ✎ KBC

- ? Scan controller function
- ? Interface controller function

- ✎ EC

- ? Power supply sequence control
- ? Overheat shutdown support
- ? LED control
- ? Beep control
- ? Device ON/OFF
- ? Cooling fan speed control
- ? Universal I/O port
- ? Battery capacity check
- ? Flash memory reprogramming function
- ? EC access interface
- ? I2C communication control

- ✎ Battery EE PROM

- ✎ 24C02 equivalent (128 words x 16 bits, I2C interface) integrated in the battery pack
 - ? Storing records of battery use

- ✎ Clock Generator

- ✎ ICS954206B

- ? Generating the clock signal required for the system
- ✎ Modem Controller
 - ✎ Built-in MDC card with askey
 - ✎ Functions of the modem controller:
 - ? Digital signal conductor protection
 - ? Ring wake-up support
 - ? Communication codes supported:
 - For data communication:
 - V.90(China)/V.92 data rates: 28kbps/56kbps
 - V.34 Extended rates: 33.6K/2400/V.32 turbo, V.32bits,and fallbacks
 - For fax:
 - V.34,V.17,V.29 V.27 and V.21 Channel 2
 - V.253 Class 1 fax
 - AC97 interface
- ✎ LAN controller
 - ✎ 88E8036
 - ? Integrates the Marvell 10/100 PHY with the proven Marvell MAC and PCI Express SERDES cores
 - ? Wake On LAN power management support
 - ? Compliant to ACPI 2.0 specification
 - ? Out of the box WOL support
 - ? Wake On Link
 - ? Remote boot(PXE 2.1)
 - ? Smart power down when link is not detected
 - ✎ 88E8053
 - ? Integrates the Marvell market-leading Gigabit PHY with the proven Marvell Gigabit MAC and SERDES cores
 - ? Wake On LAN power management support
 - ? Compliant to ACPI 2.0 specification
 - ? Out of the box WOL support
 - ? Wake On Link
 - ? Serial Peripheral Interface (SPI) for remote boot(PXE 2.1)
 - ? Smart power down when link is not detected
- ✎ Wireless LAN controller
 - ✎ Support following 2 kinds of mini PCI wireless LAN cards.
 - ? IEEE 802.11g
 - ? IEEE 802.11a/g

↗ Transfer Rate

- ? IEEE 802.11a/g: Standard 54M bps
- ? IEEE 802.11g: Standard 54M bps

↗ Frequency Channel

- ? IEEE802.11a/g: 5.4GHz
- ? IEEE802.11g: 2.4GHz

1.3 2.5-inch HDD

The computer contains an extremely low-profile and lightweight, high-performance HDD. The HDD incorporates a 2.5-inch magnetic disk and mini-Winchester type magnetic heads.

Storage capacities supported are 30, 40, 60, 80, 100, 120 GB.

The HDD interface is Enhanced IDE, ATA100 (for 30/40/60/80/100/120 GB).

The HDD is shown in Figure 1-7 and some of its specifications are listed in Table 1-1.

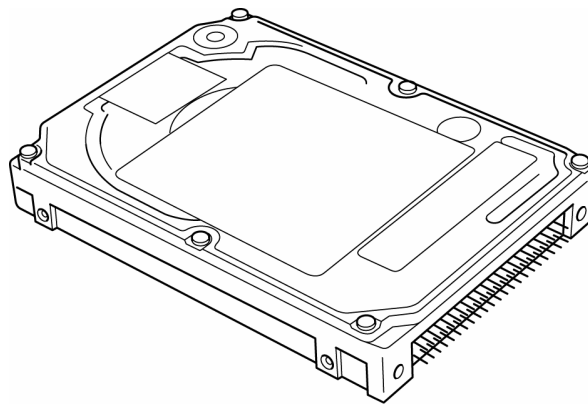


Figure 1-7 2.5-inch HDD

Table 1-1 2.5-inch HDD specifications

Item	Specifications											
	30GB		40GB		60GB		80GB		100GB		120GB	
Capacity (GB)	30GB		40GB		60GB		80GB		100GB		120GB	
Rotational speed (RPM)	4200rpm		4200 rpm	5400 rpm	4200 rpm	5400 rpm	4200 rpm	5400 rpm	4200 rpm	5400 rpm	4200 rpm	5400 rpm
User data sectors	58,605,120		78,140,160		117,210,240		156,280,320		195,350,400		234,420,480	
Bytes/sector	512		512		512		512		512		512	

1.4 DVD-ROM Drive

The DVD-ROM drive accepts 12-cm (4.72-inch) and 8-cm (3.15-inch) discs. The drive provides high-speed data transfer, playing back a DVD at up to 8x speed and reading up to 10,820 Kbytes per second from DVD-ROM and 3,600 Kbytes per second from CD-ROM.

The DVD-ROM drive is shown in Figure 1-8 and its specifications are listed in Table 1-2.

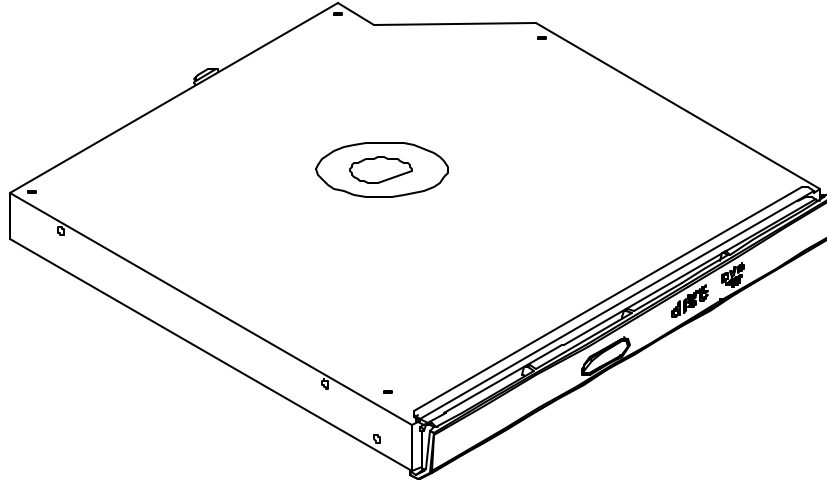


Figure 1- 8 DVD-ROM drive

Table 1- 2 DVD-ROM drive specifications

Item	DVD-ROM
Data transfer rate (Mbytes/s)	33.3 (U-DMA transfer mode 2) 16.7 (PIO mode 4, Multiword DMA mode 2)
Access time (ms) Average random access	100ms
Data buffer size (Kbytes)	512KB
Formats supported	DVD-R/W, DVD-R (Read), DVD-RAM , CD-ROM, CD-R, CD-DA, CD-I, CD(Photo-CD, CD- EXTRA, CD-R, CD-RW, Portiolio) CD-R (Write), CD-RW (Write)

1.5 CD-RW/DVD-ROM Drive

The CD-RW/DVD-ROM drive accepts 12-cm (4.72-inch) and 8-cm (3.15-inch) discs. At maximum, the drive can play back a DVD at 8x speed, read CD-ROM at 24x speed, and write CD-R at 24x speed and HS CD-RW at 10x speed.

The specifications of the CD-RW/DVD-ROM drive are listed in Table 1-3.

Table 1-3 CD-RW/DVD-ROM drive specifications

Item	DVD-ROM mode	CD-RW mode
Data transfer rate (Mbytes/s)	33.3 (U-DMA transfer mode 2) 16.7 (PIO mode 4, Multiword DMA mode 2)	
Access time (ms) Average random access	150 ms	130 ms
Data buffer size (Mbytes)	2MB	
Formats supported	DVD: DVD-ROM(DVD-5,DVD-9,DVD-10,DVD-18),DVD-R (Ver.1.0,Ver.2.0),DVD-RAM CD: CD-DA,CD+(E)G,CD-MIDI,CD-TEXT,CD-ROM,CD-ROM XA,MIXED MODE CD,CD-I,CD-I Bridge(Photo CD,Video CD),Multisession CD(Photo CD,CD-EXTRA,Portfolio,CD-R,CD-RW),CD-R,CD-RW	

1.6 DVD Dual (Double Layer)

The DVD-Dual drive accepts 12-cm (4.72-inch) and 8-cm (3.15-inch) discs. At maximum, the drive can play back a DVD at 8x speed, read CD-ROM at 24x speed, and write CD-R at 24x speed and CD-RW at 4x speed and high or ultra speed at 24x and DVD-R/+R at 8x speed and DVD+R(Double Layer) at 2.4x speed and DVD-RW at 4x speed and DVD+RW at 2.4x speed.

The specifications of the DVD-Dual(Double Layer) drive are listed in Table 1-4.

Table 1-4 DVD-Dual(Double Layer) drive specifications

Item	DVD-ROM mode	CD-ROM mode
Data transfer rate (Mbytes/s)	33.3 (U-DMA transfer mode 2) 16.7 (PIO mode 4, Multiword DMA mode 2)	
Access time (ms)		
Average random access	180	150
Average full stroke access		
Data buffer size (Mbytes)	2MB	
Formats supported	DVD: DVD-ROM,DVD-R ver2.00 for General (Read/Write), DVD-RW Ver. 1.0&1.1&1.2(Read/Write),DVD+R(Read/Write),DVD+RW(Read/Write),DVD+R(Double Layer). CD: KODAK Photo CD Single and Multi-Session,CD-Extra(CD+),Mixed CD,Video CD, CD-R discs (Read/Write), CD-RW , CD test data.	

1.7 DVD Super Multi

The DVD Super Multi drive accepts 12-cm (4.72-inch) and 8-cm (3.15-inch) discs. At maximum, the drive can play back a DVD at 8x speed, read CD-ROM at 24x speed, and write CD-R at 16x speed and CD-RW at 4x speed or Ultra and High speed CD-RW at 10x speed and DVD-R at 8x speed and DVD-RW at 4x speed and DVD+R at 8x speed and DVD+RW at 4x speed and DVD-RAM at 3x speed.

The specifications of the DVD Super Multi drive are listed in Table 1-5.

Table 1-5 DVD Super Multi drive specifications

Item	DVD-ROM mode	CD-ROM mode
Data transfer rate (Mbytes/s)	33.3 (U-DMA transfer mode 2) 16.6 (PIO mode 4, Multiword DMA mode 2)	
Access time (ms)		
Average random access	180	150
Data buffer size (Mbytes)	2MB	
Formats supported	DVD: DVD-VIDEO,DVD-ROM,DVD-R(3.9G,4.7G),DVD-RW(Ver.1.1),DVD-RAM,DVD+R,DVD+RW. CD: CD-DA,CD-ROM, CD-R,CD-RW,CD-ROMXA, PhotoCD(multiSession),Video CD,CD-Extra(CD+),CD-Text	

1.8 DVD Super Multi (Double Layer)

The DVD Super Multi drive accepts 12-cm (4.72-inch) and 8-cm (3.15-inch) discs. At maximum, the drive can play back a DVD at 8x speed, read CD-ROM at 24x speed, and write CD-R at 24x speed and CD-RW at 4x speed and High speed CD-RW at 10x speed and DVD-R at 8x speed and DVD-RW at 4x speed and DVD+R at 8x speed and DVD+R(Double Layer) at 2.4x speed and DVD+RW at 4x speed and DVD-RAM at 3x speed.

The specifications of the DVD Super Multi (Double Layer) drive are listed in Table 1-6.

Table 1-6 DVD Super Multi drive (Double Layer) specifications

Item	DVD-ROM mode	CD-ROM mode
Data transfer rate (Mbytes/s)	33.3 (U-DMA transfer mode 2) 16.6 (PIO mode 4, Multiword DMA mode 2)	
Access time (ms)		
Average random access	180	150
Data buffer size (Mbytes)	2MB	
Formats supported	DVD: DVD-VIDEO,DVD-ROM,DVD-R(3.9G,4.7G),DVD-RW(Ver.1.1),DVD-RAM,DVD+R,DVD+R(Double Layer),DVD+RW. CD: CD-DA,CD-ROM, CD-R,CD-RW,CD-ROMXA, PhotoCD(multiSession),Video CD,CD-Extra(CD+),CD-Text	

1.9 Power Supply

The power supply unit provides many different voltages for the system board and performs the following functions:

1. Power input monitor

- ✎ Checks whether the DC power supply (AC adapter) is connected to the computer.
- ✎ Checks whether the battery pack is connected to the computer.
- ✎ Monitors the DC power supply input voltage (AC Adapter output voltage).

2. Power supply's internal control

- ✎ Turns on and off the battery pack charging power supply.
- ✎ Issues a charging current instruction to the PWM control IC of the battery pack charging power supply.
- ✎ Controls the supply of DC power supply input (AC Adapter output) to the power supply unit.
- ✎ Controls the supply of power to the system block (load/logic circuit side).
- ✎ Controls forced shutdown if the power supply malfunctions.

3. Logic circuit control

- ✎ Instructs the gate array to enable/disable tuning the power on.
- ✎ Controls power-on/off operation.

4. Status display

- ✎ Turns on the Power LED (in Green or AMBER).
- ✎ Battery indicator (in Green or AMBER).

5. External interface

- ✎ Performs communication through the I2C bus (via the internal EC/KBC).
- ✎ Transfers the power supply operation mode.

6. Output monitor

- ✎ Monitors the voltage output to the system block (load/logic circuit side).
- ✎ Monitors the voltage, over voltage, input/output current of the battery pack.
- ✎ Monitors the internal temperature of the battery pack.
- ✎ Monitors the supply voltage from the AC adapter.

2.0 Batteries

The computer has the following three types of batteries:

- ✎ Main battery pack
- ✎ Real time clock (RTC) battery

Table 1-7 lists the specifications of these batteries.

Table 1-7 Battery specifications

Battery name		Material	Output voltage	Capacity
Main battery pack	6 Cell	Lithium Ion	10.8 V	4300 mAh
	12 Cell	Lithium Ion	10.8 V	8600 mAh
RTC battery		Lithium Ion	3.0 V	7 mAh

1.1.1 Main Battery

The main battery pack serves as the computer's main power source when the AC adapter is not attached. The main battery maintains the state of the computer so that it can resume it.

1.1.2 Battery Charging Control

Battery charging is controlled by LPC 47N249. When the AC adapter and battery pack are attached to the computer, the LPC 47N249 controls the charge on/off state and detects a full charge.

- ✎ Battery Charge

When the AC adapter is attached, the battery is charged by off-state charge when the system is powered off or by on-state charge when it is powered on.

Table 1-8 Quick/normal charging time

State	Charge time	
Off-state charge	6/12 Cell	About 4 hours max
On-state charge	6/12 Cell	About 4~10 hours max

NOTE: The time required for normal charge depends on the power consumption by the system. Using the fluorescent lamp and frequently accessing the disk consume much power and lengthen the charge time.

Any of the following cases stops battery charge:

1. The battery becomes fully charged.
2. The AC adapter or battery pack is removed.
3. The battery or AC adapter voltage is abnormal.

✎ Detection of full charge

A full charge is detected only when the battery is being charged by quick or normal charge.

A full charge is detected when either of the following conditions is met:

1. The current in the battery charging circuit drops below the predetermined value.
2. The charging time exceeds the fixed limit.

1.1.3 RTC Battery

The RTC battery provides power to keep the current date, time and other system information in memory while the computer is turned off.

Chapter 2

Troubleshooting

Chapter 2 Contents

2.1	Outline	2-1
2.2	Basic Flowchart	2-2
2.3	Power Supply.....	2-6
	Procedure 1 Power Icon Check	2-6
	Procedure 2 Connection Check.....	2-8
	Procedure 3 Replacement Check	2-8
2.4	System Board.....	2-9
	Procedure 3 Replacement Check	2-10
2.5	2.5-inch HDD	2-11
	Procedure 1 Message Check	2-11
	Procedure 2 Partition Check	2-11
	Procedure 3 Format Check.....	2-12

	Procedure 4 Test Program Check.....	2-13
	Procedure 5 Connector Check and Replacement Check.....	2-14
2.6	Keyboard	2-15
	Procedure 1 Test Program Check.....	2-15
	Procedure 2 Connector Check and Replacement Check.....	2-15
2.7	Display.....	2-16
	Procedure 1 External Monitor Check.....	2-16
	Procedure 2 Test Program Check.....	2-16
	Procedure 3 Connector Check and Replacement Check.....	2-16
2.8	ODD (Optical Disk Drive)	2-18
	Procedure 1 ODD Cleaning Check	2-18
	Procedure 2 Test Program Check.....	2-18
	Procedure 3 Connector Check and Replacement Check.....	2-18
2.9	LAN	2-20
	Procedure 1 Test Program Check.....	2-20
	Procedure 2 Connector Check and Replacement Check.....	2-20
2.10	SD/MS/SM/MMC/XD Card(Optional).....	2-21
	Procedure 1 Test Program Check.....	2-21
	Procedure 2 Connector Check.....	2-21
2.11	Parallel Port(Optional).....	2-22
	Procedure 1 Test Program Check.....	2-22
	Procedure 2 Connector Check.....	2-22
2.12	Audio Test.....	2-23
	Procedure 1 Test Program Check.....	2-23
	Procedure 2 Connector Check and Replacement Check.....	2-23
2.13	IEEE 1394 Test(Optional).....	2-24
	Procedure 1 Test Program Check.....	2-24
	Procedure 2 Connector Check.....	2-24
2.14	Cooling Module	2-25
	Procedure 1 Test Program Check.....	2-25
	Procedure 2 Connector Check and Replacement Check.....	2-25

Figures

Figure 2-1 Basic flowchart2-3

Tables

Table 2-1 HDD error code and status.....2-13

2.1 Outline

This chapter describes the fault diagnosis procedures for field replaceable units (FRUs) in the computer.

The FRUs covered here are as follows:

- | | | |
|--------------------|-----------------|--------------------|
| 1. System board | 2. 2.5-inch HDD | 3. Keyboard |
| 4. Display | 5. ODD drive | 6. LAN |
| 7. SD/MS/SM/MMC/XD | | 8. Speaker |
| 9. Parallel Port | 10. IEEE 1394 | 11. Cooling module |

See Chapter 4 for the procedures to replace FRUs and Chapter 3 for the procedures to use test programs

The following tools are required to perform the diagnostic procedures:

1. Diagnostics (maintenance test program) disk
2. Phillips screwdrivers (2 mm, 2.5 mm)
3. Cleaning disk kit (for ODD drive cleaning)
4. Bootable CD
5. PC Card loopback connector
6. Multimeter
7. External monitor
8. Headphone
9. Microphone
10. A-BEX TEST DVD
11. Music CD
12. DVD TSD-1 (TOSHIBA EMI DVD Test Media)

2.2 Basic Flowchart

The basic flowchart in Figure 2-1 serves as a guide for identifying a possibly faulty FRU.

Before going through the diagnostic flowchart steps, verify the following:

- ✍ Ask the user if a password has been registered and, if so, ask him or her to enter the password. If the user has forgotten the system password, use a jump wire to make a short circuit on M/B C561 , then turn the computer power on. When booted, the computer overrides password protection and automatically erases the current password.
- ✍ Make sure the Windows® XP Home Edition has been installed on the HDD. Any other operating system can cause the computer to malfunction.
- ✍ Make sure any piece of optional equipment has been installed.

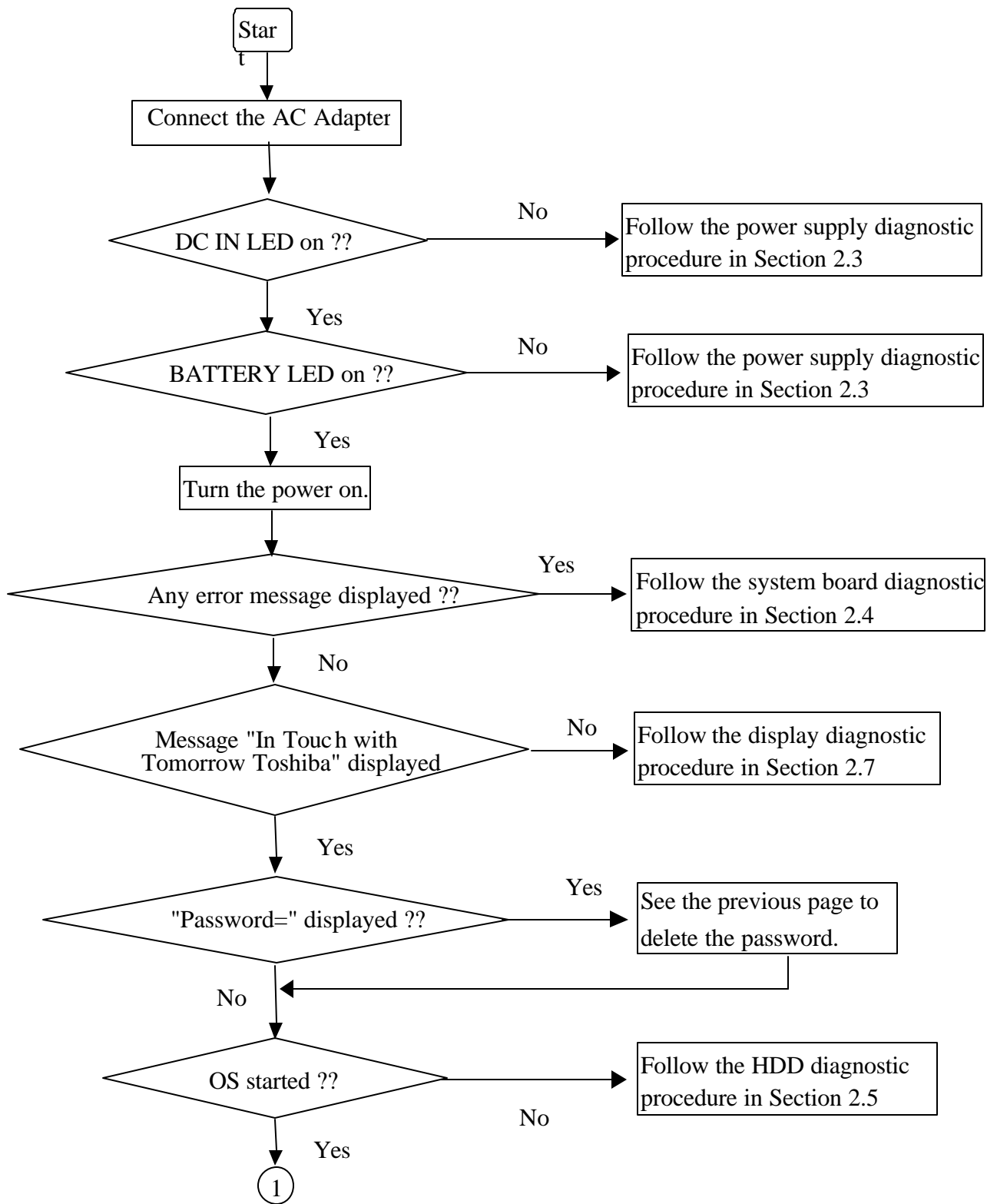


Figure 2-1 Basic flowchart(1/2)

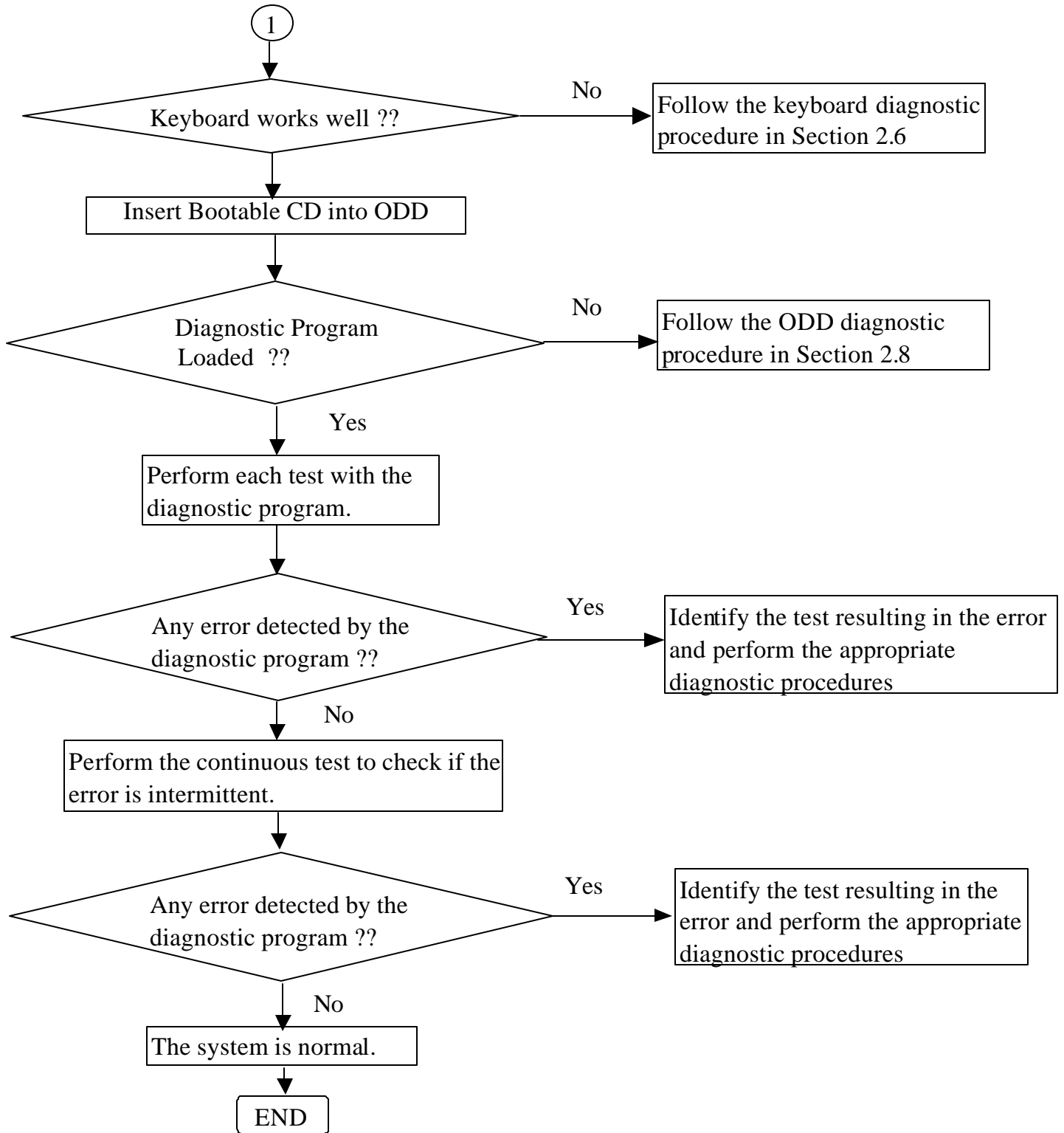


Figure 2-1 Basic flowchart (2/2)

If the diagnostic program cannot detect an error, the error may be intermittent. Run the continuous test program repeatedly to isolate the problem. Check the log utilities function to confirm which diagnostic test detected the error, then perform the appropriate troubleshooting procedures as follows:

1. If an error is detected by the System test, Memory test, Async test, Printer test, Sound test, or Real Timer test, follow the system board troubleshooting procedures in Section 2.4.
2. If an error is detected by the Hard Disk test, follow the HDD troubleshooting procedures in Section 2.5.
3. If an error is detected by the Keyboard test, follow the keyboard troubleshooting procedures in Section 2.6.
4. If an error is detected by the Display test, follow the display troubleshooting procedures in Section 2.7.
5. If an error is detected by the ODD test, follow the ODD troubleshooting procedures in Section 2.8.
6. If an error is detected by the LAN test, follow the LAN troubleshooting procedures in section 2.9.
7. If an error is detected by the SD Card test, follow the SD Card troubleshooting procedures in section 2.10
8. If an error is detected by the Parallel Port test, follow the Parallel Port troubleshooting procedures in section 2.11
9. If an error is detected by the Speaker test, follow the Speaker troubleshooting procedures in section 2.12.
10. If an error is detected by the IEEE 1394 test, follow the IEEE 1394 troubleshooting procedures in section 2.13.
11. If an error is detected by the Fan On/Off test, follow the cooling module troubleshooting procedures in Section 2.13.

2.3 Power Supply

The power supply in the computer controls many functions and components. To check if the power supply is defective or malfunctioning, follow the troubleshooting procedures below as instructed.

- Procedure 1 Power Icon Check
- Procedure 2 Connection Check
- Procedure 3 Replacement Check

Procedure 1 Power Icon Check

The following two power LEDs indicate the power supply status:

✎ Battery LED

✎ DC IN LED

The power supply controller displays the power supply status through the Battery and DC IN LEDs as in the tables below.

✎ Battery LED

Battery LED	Power supply status
On in Amber	Battery being charged
On in Green	Battery fully charged, with AC adapter connected
Blinking in Amber (at equal intervals)	Battery low *1 while driving the computer
Off	Else

 DC IN LED

DC IN LED	Power supply status
On in Green	DC power being supplied (from the AC adapter)
Off	Battery damage and can't charge during DC-in.
Off	Else

If the DC IN LED off, follow the steps below:

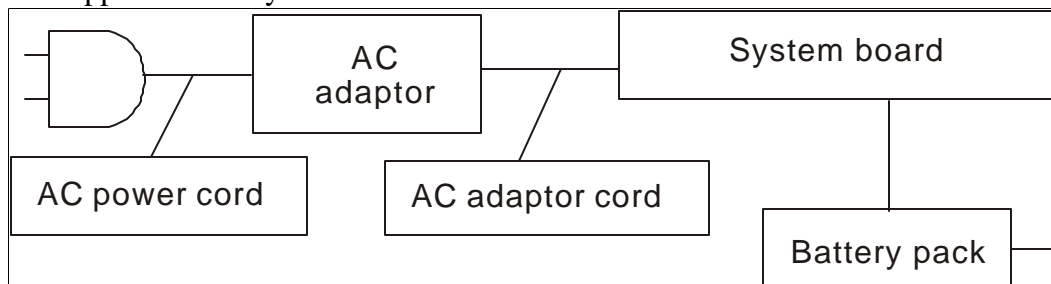
1. Remove the battery pack and the AC adapter to shut off power supply to the computer.
2. Attach the battery and AC adapter back again.

If the LED still off, follow the steps below:

- Check 1 Make sure the DC IN LED goes on in Green. If it does not, go to Procedure 2.
- Check 2 Make sure the Battery LED goes on in Amber or Green. If it does not, go to Procedure 3.

Procedure 2 Connection Check

Power is supplied to the system board as illustrated below:



Follow the steps below to check whether each connector has been connected correctly:

- Check 1** **Make sure the AC adaptor and AC power cord have been firmly plugged into the DC IN 15V socket and wall outlet, respectively. When they have been connected correctly, perform Check 2.**
- Check 2** **Connect a new AC adaptor and AC power cord.**
? If the DC IN LED does not go on, go to Procedure 3.
? If the battery LED does not go on, perform Check 3.
- Check 3** **Make sure the battery pack has been correctly installed in the computer. If the battery LED does not go on while the battery pack has been installed correctly, go to Procedure 3.**

Procedure 3 Replacement Check

The system board, power supply board, or CPU may be faulty. Disassemble the computer according to Chapter 4 and follow the steps below:

- Check 1** **Replace the power supply board with a new one. If the battery pack is still not working properly, perform Check 2.**
- Check 2** **Replace the system board with a new one. If the battery pack is still not working properly, perform Check 3.**
- Check 3** **Replace the CPU with a new one.**

2.4 System Board

To check if the system board is defective or malfunctioning, follow the troubleshooting procedures below as instructed.

Procedure 1 Message Check

Procedure 2 Test Program Check

Procedure 3 Replacement Check

Procedure 1 Message Check

When the power is turned on, the system performs the self-diagnostic Power On Self Test (POST) embedded in the BIOS ROM. The POST tests and initializes each IC on the system board.

- ✍ If an error message appears on the display, perform Check 1.
- ✍ If there is no error message, go to Procedure 2.
- ✍ If MS-DOS or Windows XP Home Edition is loaded normally, go to Procedure 3.

Check 1 If the following error message is displayed on the screen, press the **F1** key as prompted. These errors occur when the system configuration preserved in the RTC memory (generally called CMOS memory) does not match the actual configuration or when the data is lost. If you press the **F1** key as prompted by the message, the TSETUP screen appears to set the system configuration. If the error message appears frequently when the power is turned on, replace the RTC battery. If any other error message is displayed, perform Check 2.

```
*** Bad RTC battery ***  
Check system. Then press [F1] key
```

Check 2 If the following error message is displayed on the screen, press any key as prompted by the message. The error message appears when either data stored in RAM to be resumed is lost because the battery has been exhausted or the system board is faulty. If any other error message displays, perform Check 3.

Check 3 Resume failure and press any key to continue.

Procedure 2 Test Program Check

The maintenance test program contains several programs for diagnosing the system board and CPU. Execute the following test programs using the procedures described in Chapter 3.

1. System test
2. Memory test
3. Keyboard test
4. Display test
5. Hard Disk test
6. Mouse test
7. SD Card/Memory stick test
8. ODD test
9. Sound test
10. LAN test

If an error is detected during these tests, go to Procedure 3.

Procedure 3 Replacement Check

The system board, memory, or CPU may be defective. Disassemble the computer following the steps described in Chapter 4 and replace the system board, memory module or CPU with a new one.

2.5 2.5-inch HDD

To check if the 2.5-inch HDD is defective or malfunctioning, follow the troubleshooting procedures below as instructed.

Procedure 1 Message Check

Procedure 2 Partition Check

Procedure 3 Format Check

Procedure 4 Test Program Check

Procedure 5 Connector Check and Replacement Check

CAUTION: *The contents of the 2.5-inch HDD will be erased when the HDD 2.5-inch HDD diagnostic test or formatting is executed. Save the required contents of the HDD to floppy disks or other storage drive in advance.*

Procedure 1 Message Check

When the computer's HDD does not function properly, some of the following error messages may appear on the display. Follow the steps below to check the HDD.

Check 1 If either of the following messages appears, go to Procedure 2. If the following messages do not appear, perform Check 3.

```
Insert system disk in drive
Press any key when ready .....
or
Non-System disk or disk error
Replace and press any key
```

Check 2 Check TSETUP to see if the Hard Disk option has been set to "Not used". If so, choose another setting and restart the computer. If the problem persists, go to Procedure 2.

Procedure 2 Partition Check

Enter the MS-DOS system. Perform the following checks:

Check 1 Type **C:** and press the **Enter** key. If you cannot change to drive C, perform Check 2. If you can change to drive C, perform Check 3.

Check 2 Type **FDISK** and press the **Enter** key. Choose "Display partition information" from the **FDISK** menu. If drive C is listed, perform Check 3. If drive C is not listed, return to the **FDISK** menu and choose the option to

create a DOS partition on drive C. Then restart the computer.. If the problem persists, go to Procedure 3.

Check 3 If drive C is listed as active in the FDISK menu, perform Check 4. If drive C is not listed as active, return to the FDISK menu and choose the option to set the active partition for drive C. Then restart the computer. If the problem persists, perform Check 4.

Check 4 Enter **DIR C:** and press the Enter key. If the following message is displayed, go to Procedure 3. If contents of drive C are listed on the display, perform Check 5.

```
Invalid media type reading drive C
Abort, Retry, Fail?
```

Check 5 Use the SYS command in the MS-DOS system to install system files. If the following message appears on the display, the system files have been transferred to the HDD. Restart the computer. If the problem persists, go to Procedure 3.

```
System transferred
```

***NOTE:** If the computer is running Windows XP Home edition and the hard disk capacity is more than 512 MB, the FDISK program will ask if you need support for a partition larger than 2 GB. Select Y for large partition support; however, be sure to read the precaution regarding access by other operating systems.*

Procedure 3 Format Check

The 2.5-inch HDD is formatted using the low-level format program and the MS-DOS FORMAT program. Using these programs, follow the steps below to format the HDD.

Check 1 Enter **FORMAT C:/S/U** to format the HDD and transfer system files. If the following message appears on the display, the HDD has been formatted.

```
Format complete
```

If you cannot format the HDD using the test program, go to Procedure 4.

Procedure 4 Test Program Check

Run the HDD test program stored on the maintenance test program disk for all test items.

See Chapter 3 for details on how to use the test program.

If an error is detected during the HDD test, an error code and status will be displayed. The error codes and their status names are listed in Table 2-1. If an error code is not generated and the problem still exists, go to Procedure 5.

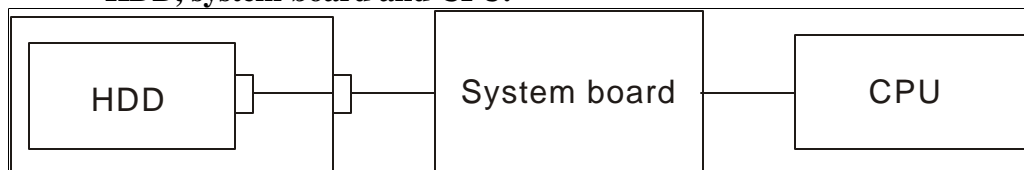
Table 2- 1 HDD error code and status

Code	Status
1	Get Parameter Fail !
2	Read Old Data
3	Write Pattern
4	Read Back Data
5	Data Compare Error
6	Restore Data
7	Read Verify Error
9	Seek Error
10	Disk Controller Self Test Failed
11	Disk Controller Test unexpected interrupt Failed
12	Disk Controller action Test Failed
13	Disk dos not support
14	SMART Disk read attribute threshold
15	SMART Disk read attribute value error
16	Disk SMART attribute value error

Procedure 5 Connector Check and Replacement Check

The HDD or system board may be faulty. Disassemble the computer following the steps described in Chapter 4 and perform the following checks:

Check 1 **Make sure the following connectors have been firmly connected to the HDD, system board and CPU.**



If any connector is loose or off, reconnect it firmly and return to Procedure 1.

If there is still an error, perform Check 2.

Check 2 **The HDD may be damaged. Replace it with a new one following the disassembling instructions in Chapter 4. If the problem persists, perform Check 3.**

Check 3 **The System board may be damaged. Replace it with a new one following the disassembling instructions in Chapter 4. If the problem persists, perform Check 4.**

Check 4 **The CPU may be damaged. Replace it with a new one following the disassembling instructions in Chapter 4.**

2.6 Keyboard

To check if the computer's keyboard is defective or malfunctioning, follow the troubleshooting procedures below as instructed.

Procedure 1 Test Program Check

Procedure 2 Connector Check and Replacement Check

Procedure 1 Test Program Check

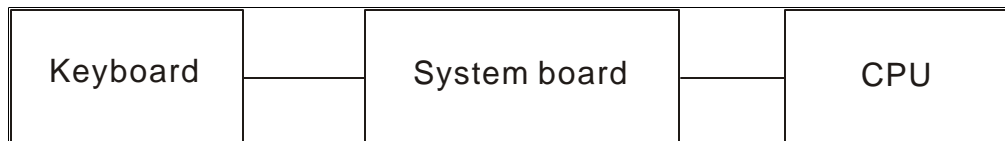
Execute the Keyboard test available as part of the maintenance test program. See Chapter 3 for information on how to perform the test.

If an error is detected in the test, go to Procedure 2. If no error is detected, the keyboard itself is normal.

Procedure 2 Connector Check and Replacement Check

The keyboard or system board may be disconnected or faulty. Disassemble the computer following the steps described in Chapter 4 and perform the following checks:

Check 1 Make sure the keyboard cable has been firmly connected to the system board.



If the cable is loose or off, reconnect it firmly and return to Procedure 1. If there is still an error, perform Check 2.

Check 2 The keyboard may be faulty. Replace it with a new one following the instructions in Chapter 4. If the problem persists, perform Check 3.

Check 3 The System board may be faulty. Replace it with a new one following the instructions in Chapter 4. If the keyboard is still not functioning properly, perform Check 4.

Check 4 The memory may be defective. Replace the memory module with a new one following the steps described in Chapter 4. If the problem persists, perform Check 5.

Check 5 The CPU may be faulty. Disassemble the computer following the steps described in Chapter 4 and replace the CPU with a new one.

2.7 Display

To check if the computer's display is defective or malfunctioning, follow the troubleshooting procedures below as instructed.

Procedure 1 External Monitor Check

Procedure 2 Test Program Check

Procedure 3 Connector Check and Replacement Check

Procedure 1 External Monitor Check

Connect an external monitor to the computer's external monitor port, then boot the computer. The computer automatically detects the external monitor even if resume mode is enabled. If the external monitor works correctly, the internal LCD, LCD/FL cable, or FL may be faulty. Go to Procedure 3.

If the external monitor appears to have the same problem as the internal monitor, the system board may be faulty. Go to Procedure 2.

Procedure 2 Test Program Check

Insert the diagnostics bootable CD in the computer's CD ROM, turn on the computer and run the test. See Chapter 3 for information on how to perform the test.

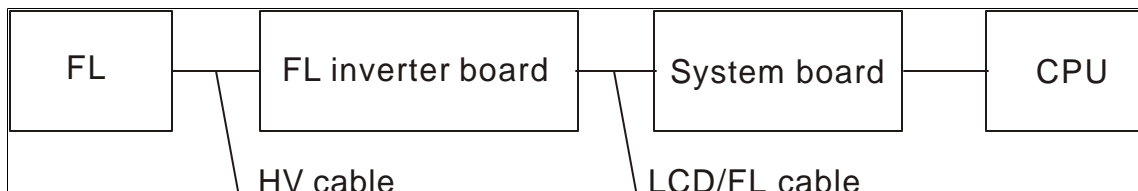
If an error is detected in the test, go to Procedure 3. If no error is detected, the display itself is normal.

Procedure 3 Connector Check and Replacement Check

The display unit has an LCD module, Fluorescent lamp (FL), panel close switch and FL inverter board. Any of the components or their connections may be defective. Disassemble the computer following the steps described in Chapter 4, then perform the following checks:

- (1) If the FL does not light, perform Check 1.
- (2) If characters or graphics are not displayed normally, perform Check 5.
- (3) If the FL remains lit when the display is closed, the panel close switch may be defective. Perform Check 8.

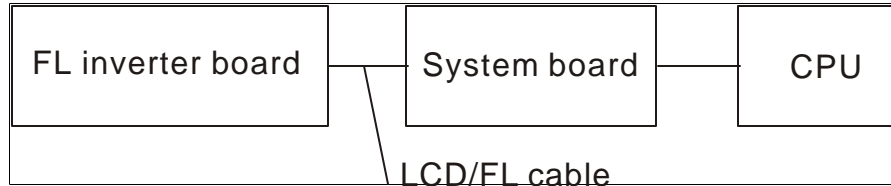
Check 1 Make sure the following cables have been firmly connected to the system board and FL inverter board.



If any of the cables is loose or off, reconnect it firmly and return to Procedure 3. If there is still an error, perform Check 2.

Check 2 The LCD/FL cable may be faulty. Replace it with a new one and return to Procedure 3. If there is still an error, perform Check 3.

- Check 3** The FL may be faulty. Replace it with a new one and return to Procedure 3. If there is still an error, perform Check 4.
- Check 4** The FL inverter board may be faulty. Replace it with a new one and return to Procedure 3. If there is still an error, perform Check 5.
- Check 5** Make sure the LCD/FL cable has been firmly connected to the system board and LCD module.



- If the cable is loose or off, reconnect it firmly and return to Procedure 3. If there is still an error, perform Check 6.
- Check 6** The LCD/FL inverter cable may be faulty. Replace it with a new one and return to Procedure 3. If there is still an error, perform Check 7.
- Check 7** The LCD module may be faulty. Replace it with a new one and return to Procedure 3. If there is still an error, perform Check 8.
- Check 8** The System board may be faulty. Replace it with a new one. If there is still an error, perform Check 9.
- Check 9** The CPU may be faulty. Replace it with a new one following the instructions in Chapter 4.
- Check 10** The memory may be defective. Replace the memory module with a new one following the steps described in Chapter 4. If the problem persists, perform Check 10.

2.8 ODD (Optical Disk Drive)

To check if the internal ODD drive is defective or malfunctioning, follow the troubleshooting procedures below as instructed.

Procedure 1 ODD Cleaning Check

Procedure 2 Test Program Check

Procedure 3 Connector Check and Replacement Check

Procedure 1 ODD Cleaning Check

1. Turn off the power to the computer.
2. Open the ODD tray by inserting a slender object such as a straightened paper clip into the eject hole. The object must be long enough to activate the eject mechanism.
3. Clean the laser pickup lens with a lens cleaner. Apply the cleaner to a cloth and wipe the lens.
4. If the ODD drive still does not function properly after cleaning, go to Procedure 2.

Procedure 2 Test Program Check

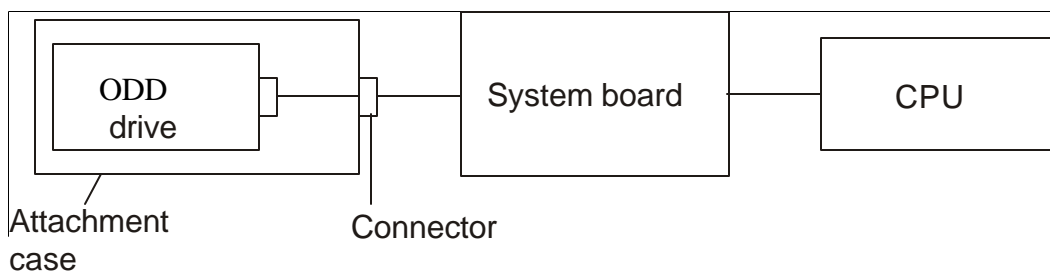
Execute the ODD drive test program available as part of the maintenance test program. Insert the diagnostics CD in the computer's CD, turn on the computer and run the test. Then insert a test ODD (Toshiba-EMI DVD-ROM TEST DISK TSD-1) into the ODD drive. See Chapter 3 for information on how to perform the test.

If any error is detected by the test, go to Procedure 3.

Procedure 3 Connector Check and Replacement Check

The ODD drive is connected to the system board by the connector. The connector may be disconnected from the system board or faulty. Disassemble the computer following the steps described in Chapter 4 and perform the following checks:

Check 1 Make sure the following connector has been firmly connected to the ODD drive and the system board.



If the connector is loose or off, reconnect it firmly and return to Procedure 2.

If there is still an error, perform Check 2.

Check 2 The connector may be faulty. Replace the connector with a new one following the steps in Chapter 4. If the ODD drive is still not functioning properly, perform Check 3.

- Check 3** **The ODD drive may be faulty. Replace the ODD drive with a new one following the steps in Chapter 4. If the ODD drive is still not functioning properly, perform Check 4.**
- Check 4** **The system board may be faulty. Replace it with new one following the instructions in Chapter 4. If the ODD drive is still not functioning properly, perform Check 5.**
- Check 5** **The memory may be defective. Replace the memory module with a new one following the steps described in Chapter 4. If the problem persist, perform Check 6.**
- Check 6** **The memory may be defective. Replace the memory module with a new one following the steps described in Chapter 4. If the problem persist, perform Check 3.**

2.9 LAN

To check if the computer's LAN is defective or malfunctioning, follow the troubleshooting procedures below as instructed.

Procedure 1 Test Program Check

Procedure 2 Connector Check and Replacement Check

Procedure 1 Test Program Check

Execute the LAN check program available as part of the maintenance test program. This program will check the LAN. Insert the Bootable CD into the CD. Turn on the computer and run the check program. See Chapter 3 for information on how to perform the check. If any abnormal is detected by the check, go to Procedure 2

Procedure 2 Connector Check and Replacement Check

The LAN connector (RJ45) is mounted on the system board. If the LAN malfunctions, the system board or CPU might be faulty.

Disassemble the computer following the steps described in Chapter 4 and perform the following checks:

- Check 1** **The system board may be faulty. Replace it with a new one following the instructions in Chapter 4. If the LAN is still not functioning properly, perform Check 2.**
- Check 2** **The memory may be defective. Replace the memory module with a new one following the steps described in Chapter 4. If the problem persists, perform Check 3.**
- Check 3** **The CPU may be faulty. Disassemble the computer following the steps described in Chapter 4 and replace the CPU with a new one.**

2.10 SD/MS/SM/MMC/XD Card(Optional)

To check if the computer's SD/MS/SM/MMC/XD Card is defective or malfunctioning, follow the troubleshooting procedures below as instructed.

Procedure 1 Test Program Check

Procedure 2 Connector Check

Procedure 1 Test Program Check

Execute the SD/MS/SM/MMC/XD Card test program available as part of the maintenance test program. This program checks the SD/MS/SM/MMC/XD card. Insert the Bootable CD into the CD. Turn on the computer and run the test. See Chapter 3 for information on how to perform the test.

If any error is detected by the test, go to Procedure 2

Procedure 2 Connector Check

The Memory Card connector is mounted on the system board. If the Memory Card malfunctions, the system board or CPU might be faulty.

Disassemble the computer following the steps described in Chapter 4 and perform the following checks:

- Check 1** **The system board may be faulty. Replace it with a new one following the instructions in Chapter 4. If the Memory Card is still not functioning properly, perform Check 2.**
- Check 2** **The memory may be defective. Replace the memory module with a new one following the steps described in Chapter 4. If the problem persists, perform Check 3.**
- Check 3** **The CPU may be faulty. Disassemble the computer following the steps described in Chapter 4 and replace the CPU with a new one.**

2.11 Parallel Port(Optional)

To check if the computer's Parallel Port is defective or malfunctioning, follow the troubleshooting procedures below as instructed.

Procedure 1 Test Program Check

Procedure 2 Connector Check

Procedure 1 Test Program Check

Execute the Parallel Port test program available as part of the maintenance test program. This program checks the Parallel Port. Insert the Bootable CD into the CD. Turn on the computer and run the test. See Chapter 3 for information on how to perform the test. If any error is detected by the test, go to Procedure 2

Procedure 2 Connector Check

The Parallel Port connector is mounted on the system board. If the Parallel Port malfunctions, the system board or CPU might be faulty.

Disassemble the computer following the steps described in Chapter 4 and perform the following checks:

- Check 1** **The system board may be faulty. Replace it with a new one following the instructions in Chapter 4. If the Parallel Port is still not functioning properly, perform Check 2.**
- Check 2** **The memory may be defective. Replace the memory module with a new one following the steps described in Chapter 4. If the problem persists, perform Check 3.**
- Check 3** **The CPU may be faulty. Disassemble the computer following the steps described in Chapter 4 and replace the CPU with a new one.**

2.12 Audio Test

To check if the computer's Speaker is defective or malfunctioning, follow the troubleshooting procedures below as instructed.

Procedure 1 Test Program Check

Procedure 2 Connector Check and Replacement Check

Procedure 1 Test Program Check

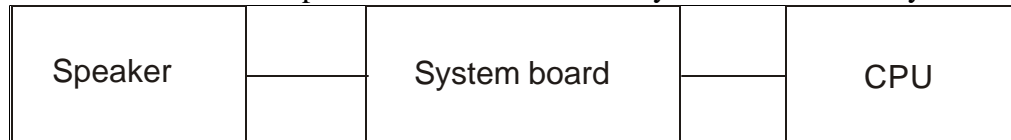
Execute the Audio test available as part of the maintenance test program. See Chapter 3 for information on how to perform the test.

If an error is detected in the test, go to Procedure 2. If no error is detected, the Audio itself is normal.

Procedure 2 Connector Check and Replacement Check

The Audio or system board may be disconnected or faulty. Disassemble the computer following the steps described in Chapter 4 and perform the following checks:

Check 1 Make sure the Speaker cable has been firmly connected to the system board.



If the cable is loose or off, reconnect it firmly and return to Procedure 1. If there is still an error, perform Check 2.

Check 2 The Speaker may be faulty. Replace it with a new one following the instructions in Chapter 4. If the problem persists, perform Check 3.

Check 3 The System board may be faulty. Replace it with a new one following the instructions in Chapter 4. If the Audio is still not functioning properly, perform Check 4.

Check 4 The memory may be defective. Replace the memory module with a new one following the steps described in Chapter 4. If the problem persists, perform Check 5.

Check 5 The CPU may be faulty. Disassemble the computer following the steps described in Chapter 4 and replace the CPU with a new one.

2.13 IEEE 1394 Test(Optional)

To check if the computer's IEEE 1394 is defective or malfunctioning, follow the troubleshooting procedures below as instructed.

Procedure 1 Test Program Check

Procedure 2 Connector Check

Procedure 1 Test Program Check

Execute the IEEE 1394 test program available as part of the maintenance test program. This program checks the IEEE 1394. Insert the Bootable CD into the CD. Turn on the computer and run the test. See Chapter 3 for information on how to perform the test.

If any error is detected by the test, go to Procedure 2

Procedure 2 Connector Check

The IEEE 1394 connector is mounted on the system board. If the IEEE 1394 malfunctions, the system board or CPU might be faulty.

Disassemble the computer following the steps described in Chapter 4 and perform the following checks:

- Check 1** **The system board may be faulty. Replace it with a new one following the instructions in Chapter 4. If the IEEE 1394 is still not functioning properly, perform Check 2.**
- Check 2** **The memory may be defective. Replace the memory module with a new one following the steps described in Chapter 4. If the problem persists, perform Check 3.**
- Check 3** **The CPU may be faulty. Disassemble the computer following the steps described in Chapter 4 and replace the CPU with a new one.**

2.14 Cooling Module

To check if the computer's cooling module is defective or malfunctioning, follow the troubleshooting procedures below as instructed.

Procedure 1 Test Program Check

Procedure 2 Connector Check and Replacement Check

Procedure 1 Test Program Check

Execute the Fan On/Off test program available as part of the maintenance test program. This test program checks the cooling module. Insert the diagnostics bootable CD in the computer's CD, turn on the computer and run the test. See Chapter 3 for information on how to perform the test.

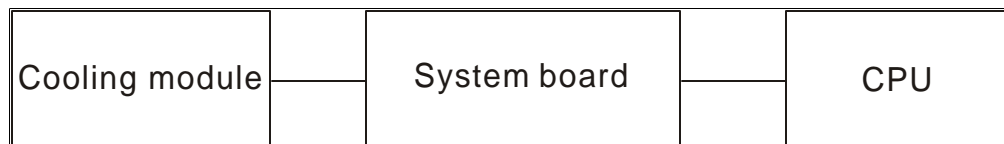
If any error is detected by the test, go to Procedure 2.

Procedure 2 Connector Check and Replacement Check

The cooling module is connected to the system board. If the cooling module malfunctions, there may be a bad connection between the cooling module and the system board or either might be faulty.

Disassemble the computer following the steps described in Chapter 4 and perform the following checks:

Check 1 **Make sure the cooling module has been firmly connected to the connector on the system board. Also make sure that the tape is not stuck to any part of the fan and that the fan is free of foreign matter.**



If the connector is disconnected, connect it firmly to the system board and return to Procedure 1. If the tape is stuck to any part of the fan, stick it back to the specified point. If a foreign matter is found in the fan, remove it and then return to Procedure 1. If there is still an error, perform Check 2.

Check 2 **The cooling module may be faulty. Replace it with a new one following the steps in Chapter 4. If the cooling module is still not functioning properly, perform Check 3.**

Check 3 **The memory may be defective. Replace the memory module with a new one following the steps described in Chapter 4. If the problem persists, perform Check 4.**

Check 4 **The CPU may be faulty. Disassemble the computer following the steps described in Chapter 4 and replace the CPU with a new one.**

Chapter 3

Diagnostic Programs

Chapter 3 Contents

3.1	General	1
3.2	Quick Start	3
3.2.1	Quick Test	3
3.2.2	Customization Test	3
3.2.3	Keyboard Layout test	7
3.2.4	Hotkey Test	8
3.2.5	Audio Play Test	8
3.2.6	Audio Record Test	8
3.2.7	DMI Read	8
3.2.8	DMI Write	9
3.2.9	System Information	10
3.2.10	View Logs	11
3.2.11	Exit to MS DOS	12
3.2.12	The Diagnostics Screen Explanation	12
3.3	Options	16
3.3.1	Overview	16
3.3.2	Batch Parameters Configuration	17
3.3.3	Item's Parameters Configuration	19
3.3.4	Load Batch Parameters	20
3.3.5	Save Batch Parameters	21
3.3.6	LOG Parameters Setting	22
3.3.7	Specify LOG Viewer	23
3.3.8	Display LOG File	23
3.3.9	LOG Viewer	24
3.3.10	LOG File Sample	25
3.4	Subtests	27
3.5	System Test	31
3.6	Memory Test	36
3.7	Storage	41
3.8	Video	45

3.9 Communication (COMM) 54
3.10 Peripheral 58
3.11 Error Codes and description..... 60
3.12 Quick Test Item List i

3.1 General

This chapter explains the diagnostic programs which tests and diagnoses the functions of the hardware components of this computer. The diagnostic programs can be classified into two types: OPTION and DIAGNOSTIC TEST.

NOTE 1: This Diagnostic supports Satellite M40/M45 TECRA A4 Dynabook Vx/4

NOTE 2: Before running a test, be sure to:

1. Check that all the cables are connected securely.
2. Exit the application that is currently running and close Windows.

The OPTION includes the following functions :

- ✧ Select All Items
- ✧ Test All Items
- ✧ Edit Batch Parameters
- ✧ Load Batch Parameters
- ✧ Save Batch Parameters
- ✧ Log Parameters
- ✧ Specify Log Viewer
- ✧ Display Error Log File
- ✧ DOS Shell
- ✧ Exit to DOS

The DIAGNOSTIC TEST Devices include the following tests:

- ✧ System Test
- ✧ Memory Test
- ✧ Storage Test
- ✧ Video Test
- ✧ Communication Test
- ✧ Peripheral Test
- ✧ Audio Test
- ✧ DMI Read/Write
- ✧ System Information

Before running the diagnostic programs, get the following tools prepared:

- ✧ A Service Diagnostic BOOT CD
- ✧ A Formatted FLOPPY DISK
- ✧ A Test Media CD (A-BEX TEST CD-ROM TCDR-702)(for CD-ROM test)
- ✧ A Test Media DVD (Toshiba-EMI DVD-ROM TEST DISK TSD-1)
- ✧ An External Monitor (for DISPLAY test)

- ⌘ A CD-ROM Driver (for CD-ROM test)
- ⌘ Audio Line for audio record test
- ⌘ A Data CD (for CD-ROM test)
- ⌘ Loop back connector of LPT
- ⌘ SD, MS Card

The following chapters describe all the test details. The test items could be selected from the DIAGNOSTIC TEST menu.

Note:

When booting up the unit for the first time, the system will automatically select the location of the result log file. If a USB floppy drive is connected, and there is an unprotected floppy diskette with more than 50KB spare space in the drive, system will save all log files into the root directory the diskette; otherwise, system will save all log files in the root directory of RAM disk.

3.2 Quick Start

When the system is booting from Service Diagnostic CD, the following screen will be displayed:

```
Satellite M40/M45 TECRA A4 Dynabook Vx/4 Service Diagnostic Version 1.0
=====
1. Quick Test
2. Customization Test
3. Keyboard Layout Test
4. Hot Key Test
5. Audio Play Test
6. Audio Record Test
7. DMI Read
8. DMI Write
9. IRda ManMaster Test
A. IRda ManSlave Test
B. System Information
C. View Logs
0. Exit to MS-DOS
=====
Enter Your Choice (0~9, A~C):
```

Please select a test item or select **0** to exit to MS-DOS:

3.2.1 Quick Test

When this item is selected, the system will run the configured test items and generate a test report automatically.

When the test is completed, a file named Quick.log would be saved in the defined location.

When Quick.log is being created, meanwhile, a file named quick.log has already existed, the system will automatically rename Quick.log to Quick.old for the backup purpose of the log file.

It will take 8-15 minutes to test all the items. User must plug the LPT Text Fixture before the test. During the test, user is required to verify the test result.

For the detail of test item, please refer to [Quick Test Item List](#).

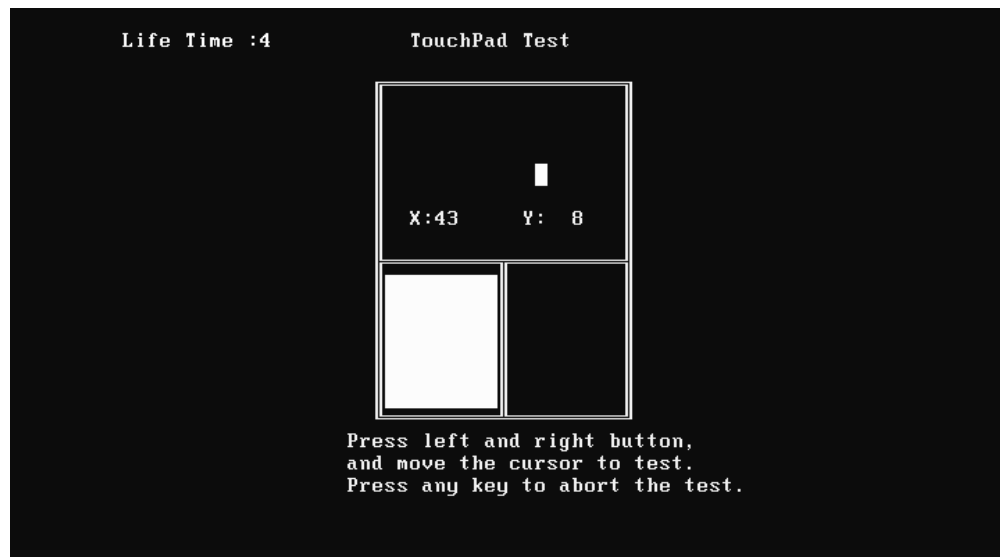
3.2.2 Customization Test

When this item is selected, the system will run the diagnostic programs according to the procedures you defined. When the test is completed, a file named Custom.log will be saved in the defined location. Please see the following example-- Mouse test.

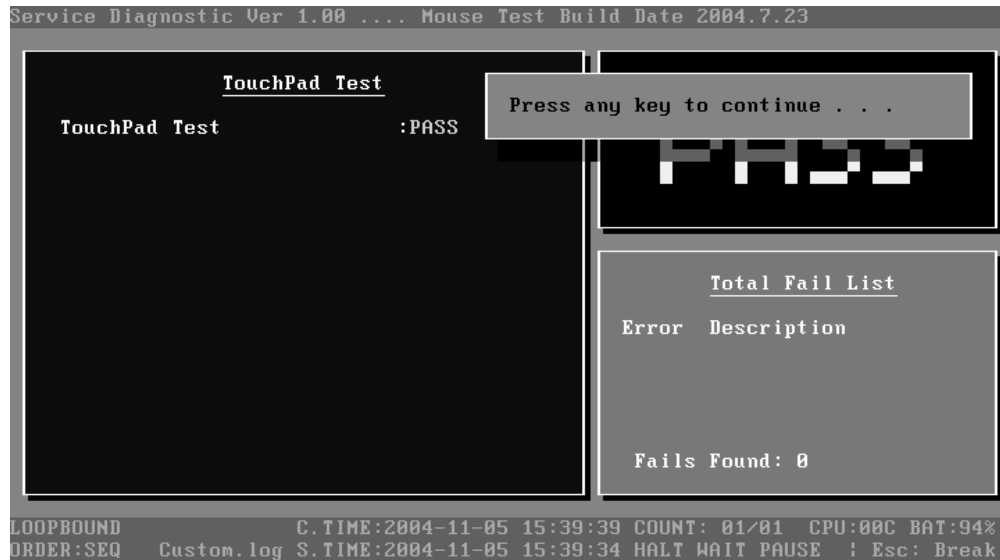
1. Use arrow key to select 'TouchPad' item on 'Peripheral' in the menu, then press **Space** key to select it. (When it is being selected, there is a **X** marked in the [])



Select 'Test Mouse' or press **F8** to run the test. The prompt information would be displayed in the screen as below. This test item needs user to verify whether the mouse works normally.



The test result will be displayed in the following screen:



Here is another method to run the test: Highlight a test item by using arrow keys, then, press **Enter** to start. If there are parameters provided, user should set parameters in the parameter dialog window.

CPU Speed Test (Step by Step):

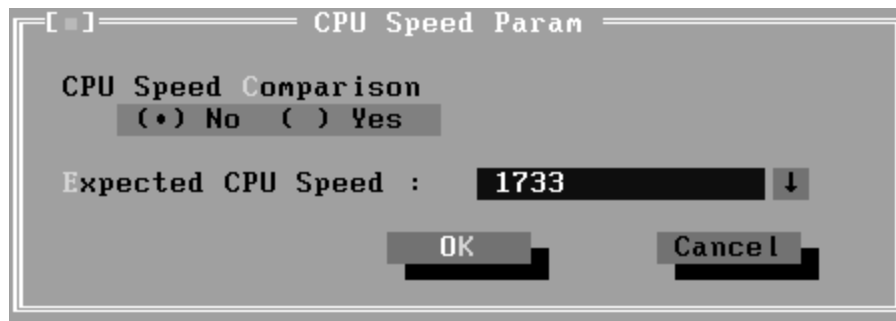
1. Select test item:

Select **System—CPU—CPU Speed**, then, press the **Enter** key.



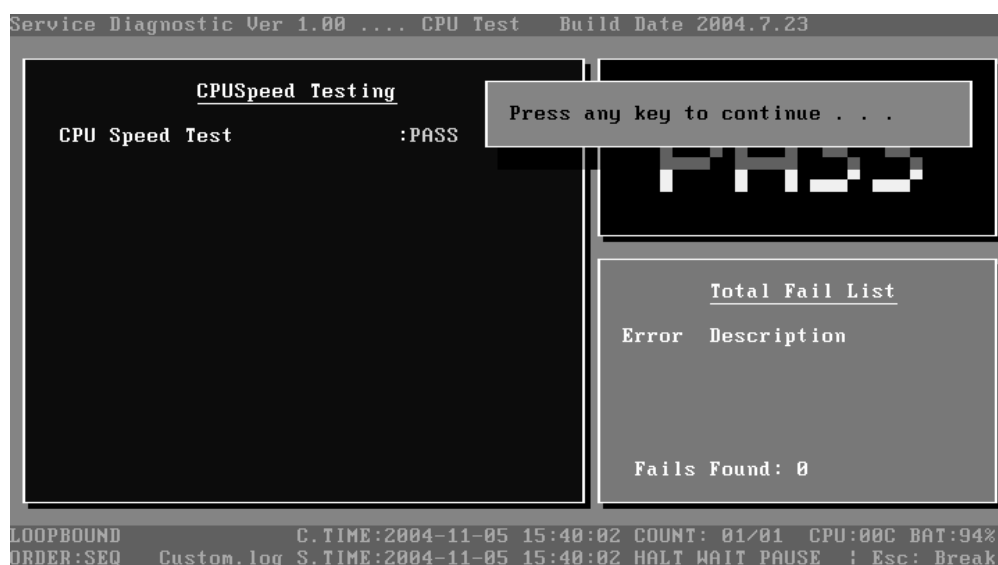
2. Parameters Setting

Choose the **OK** button after you set the proper parameters in the following window.



3. Test Result

System will automatically run and display the test result as follows:



Following is the comparison report of the two testing methods mentioned above:

1) Configuration and Running

As to the method used in Mouse test, the user is required to select test items by pressing **Space** key and set the parameters artificially, (See [3.3.3 Item's Parameters Configuration](#)) Then press **F8** to start the test. User should configure each parameter in advance; otherwise the default parameters would be used. Using this method, user is allowed to select more than one test item at one time.

2) Running the current test item

As to the method adopted in CPU Speed test, user should highlight the test item and press **Enter** to start testing. And the user has to setup the parameters every time before running the test. Using this method, only one test item would be tested at one time.

3.2.3 Keyboard Layout test

The test purpose is to check whether 18 kinds of European keyboards run well during the test procedure. When users choose the item, the names of these countries will be displayed on the screen for user choice. User press any index of token in ASCII, and the program will test the kind of keymap of the country.

```

Keyboard Layout Test
=====
1. US (United States)           G. RU (Russian)
2. UK                          H. SL (Swiss/Switzerland)
3. JP (Japaness)              I. SW (Swedish)
4. BR                          J. NO (Norwegian)
5. SP (Spanish)               K. DK (Danish)
6. KR (Korean)                L. TR (Turkey)
7. CF (Canadian-French)      M. GK (Greek)
8. FR (French)                 N. ES (Estonia)
9. GR (German)                 O. HE (Herbrew)
A. IT (Italian)                P. CZ (Czech)
B. TC (Traditional Chinese, Taiwan) Q. LI (Lithuanian)
C. PT (Portuguese)            R. HU (Hungary)
D. USE (DU, UE, US International) S. SA (Slovakia)
E. AR (Arabic)                 T. YU (Yugoslavia)
F. BE (Belgian)
=====
Please Select a Keyboard Layout(1~9,A~T, 0-Exit):

```

The test screen would be shown as below:

```

LEFT TIME : 96    scancode: 255

Esc F1 F2 F3 F4 F5 F6 F7 F8 F9 F10 F11 F12 Prtsc Pause Win App
1 2 3 4 5 6 7 8 9 0 - = Back Home
Tab Q W E R T Y U I O P { } | PgUp
Caps A S D F G H J K L : ' Enter PgDn
Shift Z X C V B N M , . / Shift End
Ctrl Fn Alt ~ Space Ins Del Alt Up
Dn < >

Press Fn+Enter to test Fn.
Please press the key one by one and 'E' 'N' 'D' to skip this test.

```

It requires user to press the key and check whether the key in the screen changes color or not. User can terminate test by typing 'END'. When testing the 'Fn' key, it must press the 'Enter' key at the same time.

When the user has checked all the keys and all the keys in the screen have changed color, the diagnostics program would automatically end the test and report the pass information.

If keyboard test fails, program will terminate the test and report the fail information when it is time to timeout.

The test will end when all keys are pressed or test time is out after 100 seconds.

3.2.4 Hotkey Test

Check whether Hotkey run well.

3.2.5 Audio Play Test

Check whether the system could playback audio normally. When the test is completed, a file named Audio_P.log will be saved in the defined location.

3.2.6 Audio Record Test

Check whether the system could record the sound and playback it normally. Before the test, please make sure that the linked line is inserted and the volume is set to maximum. When the test is completed, a file named Audio_R.log will be saved in the defined location.

3.2.7 DMI Read

Read the information from the system's SMBIOS and display it in the screen as follows:

```

      DMI Information                                     Version 1.00
-----
Manufacture      : TOSHIBA
Product Name     : TECRA A4
Version         : PTA40U-CS210Q1
Serial Number    : Y4082723Q
UUID            : 36993E30349E11D9A70E00A0D1DF111B
OEM Part Number : PTA40U-CS210Q1
OEM SW Number   :

-----
Press any key to exit...
```

User can press any key to exit the program.

3.2.8 DMI Write

In addition to reading the DMI information, **DMI Write** also permits attributes editing and updating: Manufacture, Product Name, Version, Serial Number, UUID and OEM Part Number, etc. The following screen will be displayed:

```
DMI Information - Modify                                     Version 1.00
-----
Manufacture       :  TOSHIBA
                   :  TOSHIBA
Product Name     :  TECRA A4
                   :  TECRA A4
Version          :  PTA40U-CS210Q1
                   :  PTA40U-CS210Q1
Serial Number    :  V4082723Q
                   :  V4082723Q
UUID             :  36993E30349E11D9A70E00A0D1DF111B
                   :  36993E30349E11D9A70E00A0D1DF111B
OEM Part Number  :  PTA40U-CS210Q1
                   :  PTA40U-CS210Q1
OEM SW Number    :
                   :

-----
F2:Confirm the change  F4:Ignore the change  ESC: Exit
Press ENTER key to complete an item's modification
```

In this screen, there are two lines which attribute could be edited and updated. The 1st line (the font in yellow with blue background) shows the attribute's value that is read from the current system and the 2nd line (the font in red with turquoise background) shows the same value as that in the 1st line before user's editing. User can modify the attribute's value in the 2nd line and press **Enter** to confirm the current edition and continue editing the next attribute.

During the editing, user could press **F2** to confirm the DMI attribute update or press **F4** to ignore the modification. Press **ESC** to exit the program of DMI Write.

The confirmation screen is as below:

```

DMI Information - Check                                     Version 1.00
-----
Manufacture       : TOSHIBA
Product Name      : TECRA A4
Version           : PTA40U-CS210Q1
Serial Number     : Y4082723Q
UUID              : 36993E30349E11D9A70E00A0D1DF111B
OEM Part Number  : PTA40U-CS210Q1
OEM SW Number    :

-----
F2: Save the change   F4: Edit again

```

The attributes that have been modified would be marked in red; otherwise in yellow. User could press **F2** to save the changes, or press **F4** to ignore and exit the current program.

3.2.9 System Information

This function is used to read the system information. When the test is completed, a file named System.log will be saved in the defined location. During the reading process, the following screen will be displayed to indicate that the progress is in detection:

```

System Information                                     IDE ver 3.00
-----
Menu
Battery
Cache
CPU
IDE
-----
Information
Detecting IDE...
Please wait!

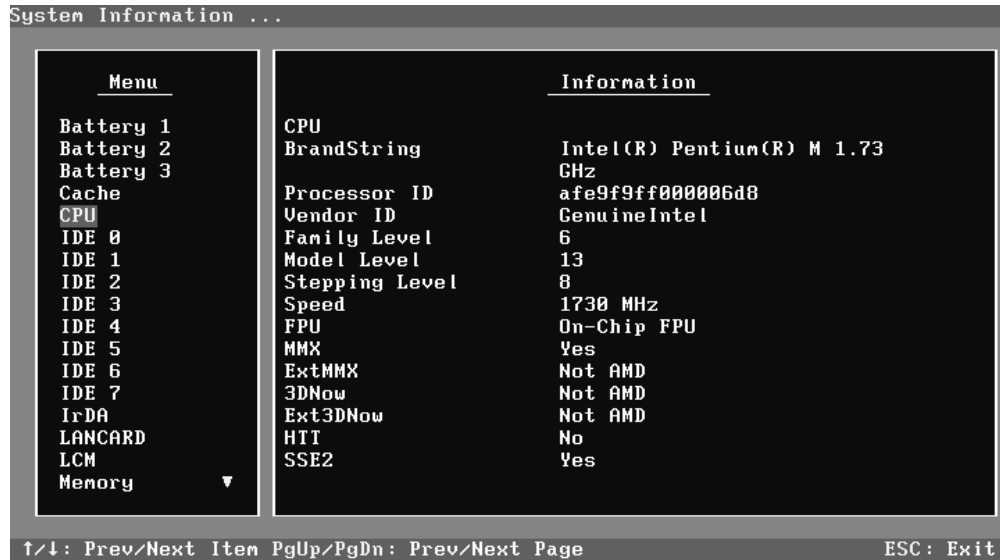
f/↓: Prev/Next Item PgUp/PgDn: Prev/Next Page          ESC: Exit

```

On the left column of the above screen, the detected hardware components are listed. The corresponding information of the detected hardware components is displayed on the right of the screen. It displays the current running status information of the check program.

The name of the program is marked on the top of the screen. At the bottom, the function keys are listed for user operation. During the detection, keyboard operation is invalid.

When the detection is finished, the hardware components information will be displayed as follows:

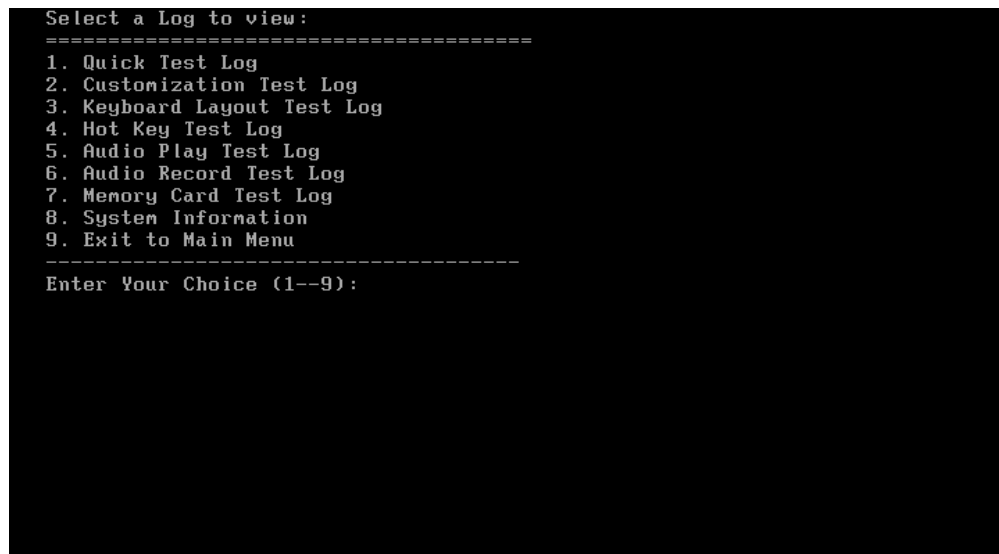


User can use function keys listed on the bottom of the screen to display the configuration of the component or exit the current program. On the left column, the components information is listed and user can use arrow keys or **PgUp/PgDn** to view the list and highlight the chosen component. On the right column, the configuration information of the highlighted component is listed. Press **ESC** to exit this program.

NOTE: LCM Information doesn't support CSV (Sharp) LCM.

3.2.10 View Logs

User can enter one choice to view a log file in the screen as follows.

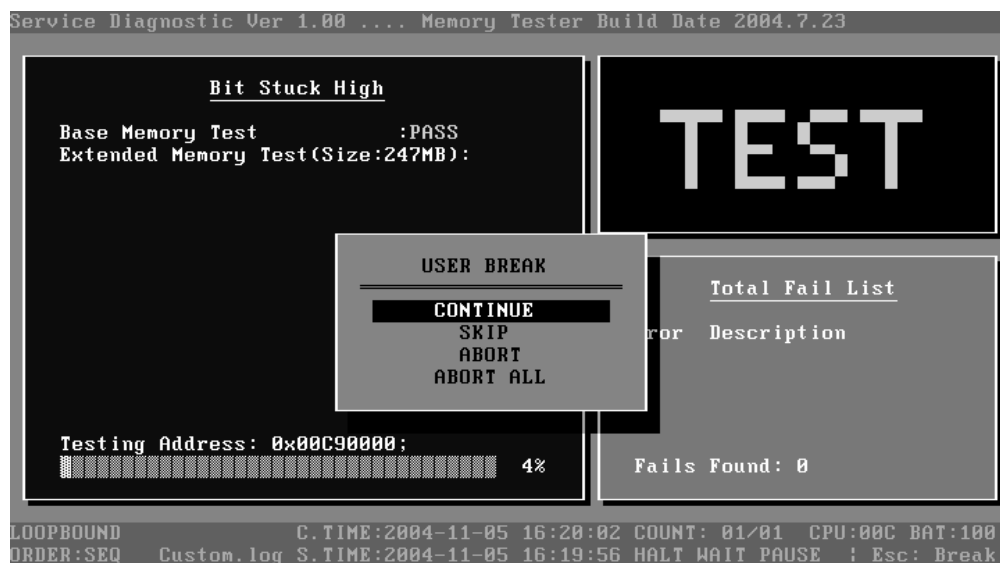


3.2.11 Exit to MS DOS

Select this item to exit to MS DOS.

3.2.12 The Diagnostics Screen Explanation

Below is an example of running a test item. It includes the following parts: Diagnostics Windows, Test Status Area, Progress Bar, Error List, Test Item's Title, Status Bar and Message Box.



1. Diagnostics Windows

When a test item is running, a Diagnostics Windows is displayed in full screen. It consists of the following parts: Title Bar, Test Running Status and Report Panel, Status Bar. There would prompt a message box called USER BREAK in the central of the window whether user press **ESC** to interrupt the test.

2. Test Running Status and Report Panel

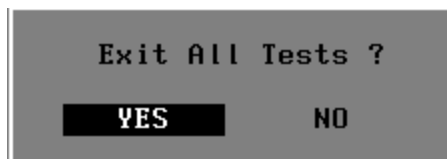
Test Running Status and Report Panel are located on the middle of Diagnostics Windows.

- ✍ Test item name, test process and test result are displayed in the left;
- ✍ Test status and result are displayed in the upper right corner of the screen. It displays the test status of the current test item – TEST (in testing), PASS (test finished and its result is passed), FAIL (test finished and its result is failed) and SKIP (test skipped).
- ✍ The error list of each test module is displayed at the lower right corner of the screen. It would display the total error quantity found in the test, the most recent five error codes and description would be shown here. Detailed error report could be viewed with Logview.exe.
- ✍ When pressing **ESC** key during the test process, a User Break Windows will be popped up for the user to select.

3. USER BREAK

Pressing **ESC** key to interrupt the test, **USER BREAK** message box would be prompted out in the central of Diagnostics Window for the user to select the following actions:

- ✍ **CONTINUE**---- Continue the test;
- ✍ **SKIP**---- Stop the sub-item of current test item to go to the next item's test;
- ✍ **ABORT**---- Stop the current test item to test the next module.
- ✍ **ABORT ALL**---- Stop all the selected test items. User could use the hot key **Ctrl+D** to achieve the same operation. When the user calls **ABORT ALL**, the following message box will prompt for his selecting.



4. Title Bar:

Title Bar located at the top of the window, it includes information as follows:

- ✎ **Program Name and Its Version:** Service Diagnostic Ver1.01;
- ✎ **Test Module Name:** Label the name and version of the test module. For example, in the above screen, the name of the test module is 'Memory Tester Build Date 2002.12.31'.
- ✎ **Status Bar:** Located at the bottom of the screen as follows:

```
LOOPBOUND QUICK_B.INI C.TIME:2004-01-04 19:24:12 COUNT: 01/01 CPU:38C BAT:100
ORDER:SEQ quick.log S.TIME:2004-01-04 19:24:11 HALT WAIT PAUSE | Esc: Break
```

The status bar is used to indicate the current script setting and test status. It consists of two lines that includes the information as follows:

- ✎ **Test Mode:** TIMEBOUND or LOOPBOUND, e.g. LOOPBOUND in the above screen;
- ✎ **Script File Name :** Script file name, e.g. 'Quick.INI' in the above screen;
- ✎ **Current Time (C. TIME):** Current system time, e.g. 'C.TIME:2004-01-04 19:21:27' in the above screen;
- ✎ **Test Time Remaining (LEFT):** In TIMEBOUND mode, it would display the remaining test time at the same location as Current TIME (C. TIME) in the above screen;
- ✎ **Current Loop Count:** In LOOPBOUND mode, it will display the total LOOP number planning to execute and the current LOOP number have been finished, e.g. 'COUNT: 01/01' in the above screen;
- ✎ **CPU Temperature :** Detect the temperature in the current CPU, e.g. 'CPU: 49C' in the above screen;
- ✎ **Remaining Battery Capacity:** Remaining Battery Capacity detected in the current Battery, e.g. 'BAT: 97%';
- ✎ **Test Order:** Define the test sequence. There is two sequence modes: Sequential Test Mode and Random Test Mode. The default mode is Sequential Test Mode, it would displays 'ORDER: SEQ' as in the above screen;
- ✎ **LOG File Name :** Display the file name of the test log, e.g. Quick.Log in the above screen;
- ✎ **Start Test Time (S.TIME):** Display the test start time for the current test item or the test script, e.g. 'S.TIME: 2004-01-04 19:21:16' in the above screen;
- ✎ **Break On Error:** Display 'HALT' as shown in the above screen when 'Break On Error' is enabled;

- ✍ **Wait On Error:** Display 'WAIT' as shown in the above screen when 'Wait On Error' is enabled;
- ✍ **Pause Enable:** Display 'PAUSE' when "Pause Enable" is enabled;
- ✍ **Manual Interrupt Method:** Display 'Esc: Break' to tell the user how to manually interrupt the test process.

3.3 Options

3.3.1 Overview

In Service Diagnostics, with the **Options** menu user can configure the batch parameters, test item's parameters and those parameters created by the LOG file.



Options Menu Notes:

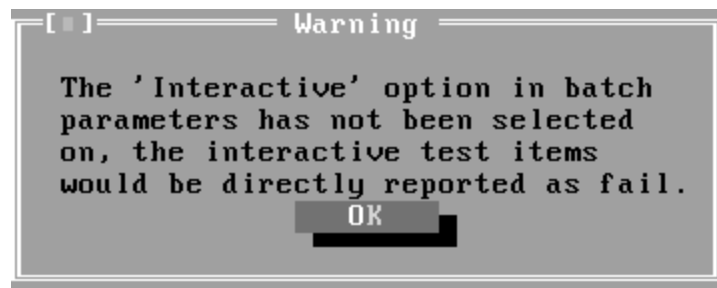
- ? Select All/None Items

Switch between selecting all test items and selecting none. The hot key is **F6**.

- ? Test Selected Items

Execute all selected test items in this editor. The hot key is **F8**.

If “Interactive” option in batch parameters has not been selected, a warning message would be shown as below:



- ? Edit Batch Parameters

Configure batch parameters and all the test item's parameters.

? Load Batch Parameters

Upload all the test items and the parameters to the *.ini file.

? Save Batch Parameters

Save all the parameters and the test items that are configured in the editor to a specified file.

? Log Parameters

Configure LOG parameters.

? Specify LOG Viewer

Specify the viewer for the LOG file.

? Display Error Log File

Load the LOG file viewer specified in the Specify Log Viewer to view the LOG file.

? DOS Shell

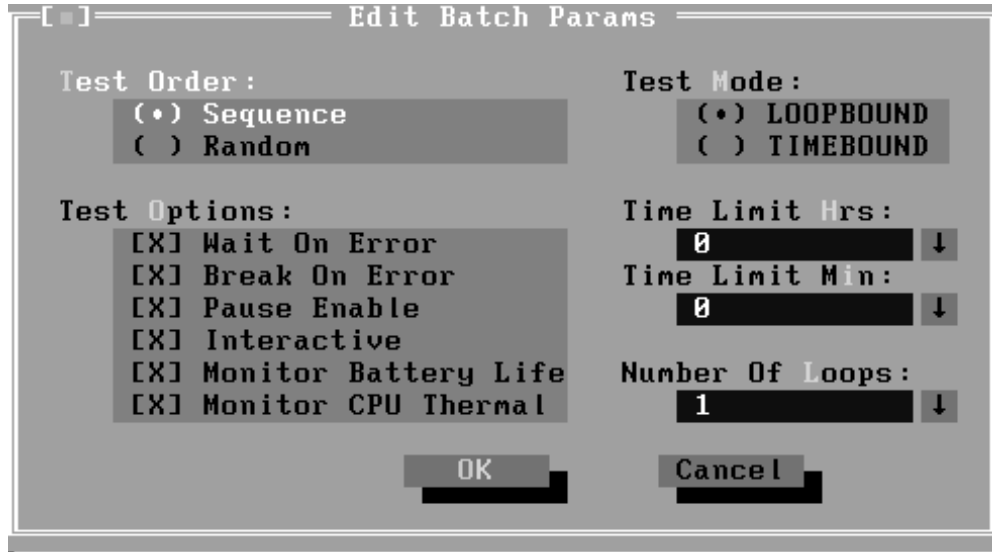
Enter the DOS Shell and execute the DOS programs. You can also exit to the Service Diagnostics Editor by the command of **EXIT**.

? Exit to DOS

Exit the Service Diagnostics Editor and back to DOS.

3.3.2 Batch Parameters Configuration

The batch parameters configuration screen can be accessed through Service Diagnostics/OPTIONS -> EDIT BATCH PARAMETERS -> BATCH PARAMETERS:



? Test Order

Specify the order of the test items. Choose 'Sequence' to adopt the sequential mode; choose 'Random' to run the test items in random sequence.

? Test Options

Choose one of the following options:

✎ Wait On Error

Wait for further confirmation while an error occurs.

✎ Break On Error

Stop the test when a test item fails.

✎ Pause Enable

Pause at the end of each test items and wait for the user to response with the test items that requires the user to assist the test processes, such as the keystroke test.

✎ Interactive

If the item is enabled during the test, the test items that need user to response can run normally, such as Mouse test; If it is disabled, those test items will report FAIL.

When the option here is enabled, it would affect all the test items while the same option in “Item Parameters Configuration” only affect that test item.

✎ Monitor Battery Life

Monitor the remaining battery capacity (percent).

✎ **Monitor CPU Thermal**

Monitor the CPU temperature.

? **Test Mode**

✎ **LOOPBOUND**

The chosen test items will run repeatedly according to the times specified in the 'Number of Loops'.

✎ **TIMEBOUND**

The chosen test items will run for an extent time specified in 'Time Limit Hrs' and 'Time Limit Min'.

? **Time Limit Hrs**

Specify the hours whether 'TIMEBOUND' is chosen under the batch mode.

? **Time Limit Min**

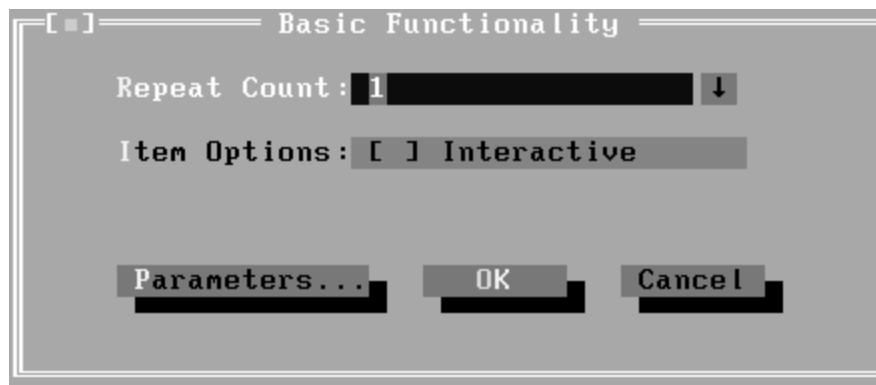
Specify the minutes whether 'TIMEBOUND' is chosen under the batch mode.

? **Number Of Loops**

Specify the repeating times when 'Loop Bound' is chosen under the batch mode.

3.3.3 Item's Parameters Configuration

The test items' parameters configuration screen can be accessed through Service Diagnostics/Options -> Edit Batch Parameters -> Item's Parameters-> System->CPU-> Basic Functionality:



? **Repeat count**

Repeat times of the test item.

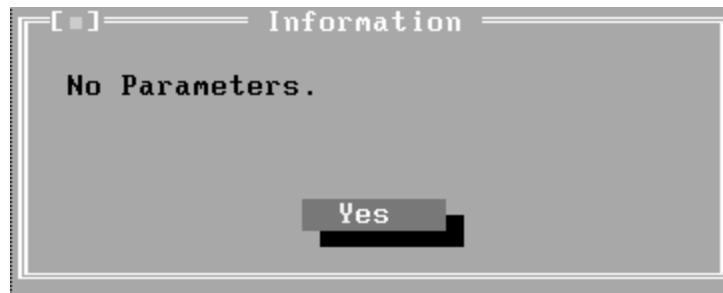
? **Interactive**

If the item is enabled during the test, the test items that need user to response can run normally, such as PS2 Mouse test; If it is disabled, those test items will report FAIL.

Whether the option here is enabled, it only affects the current test item.

? **Parameters**

For the test items with specific parameters, this option will call the related configuration screens. Otherwise, the program will show the following dialogue window:

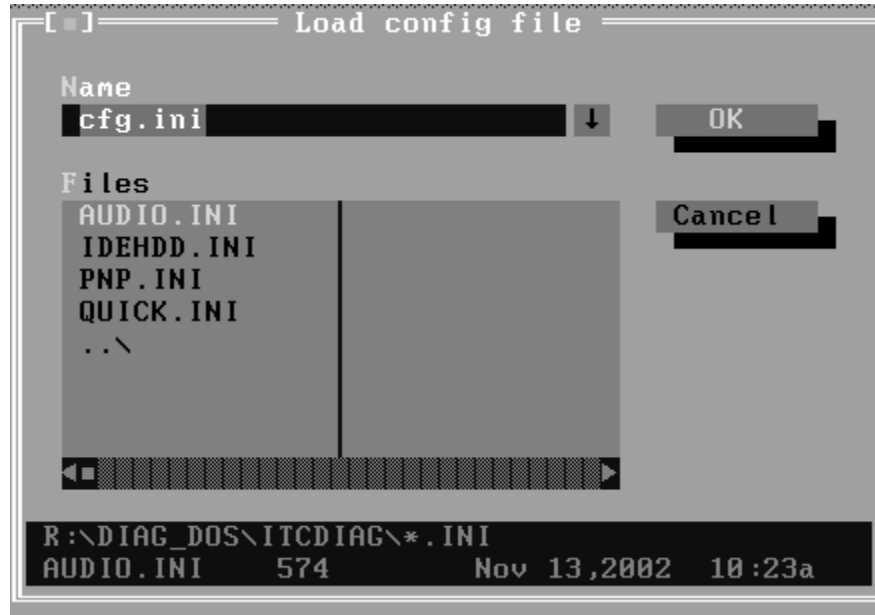


Parameters for the specific test items:

Some test items (Memory, HDD, e g...) have their individual parameters, which can be configured in their parameters setting window.

3.3.4 Load Batch Parameters

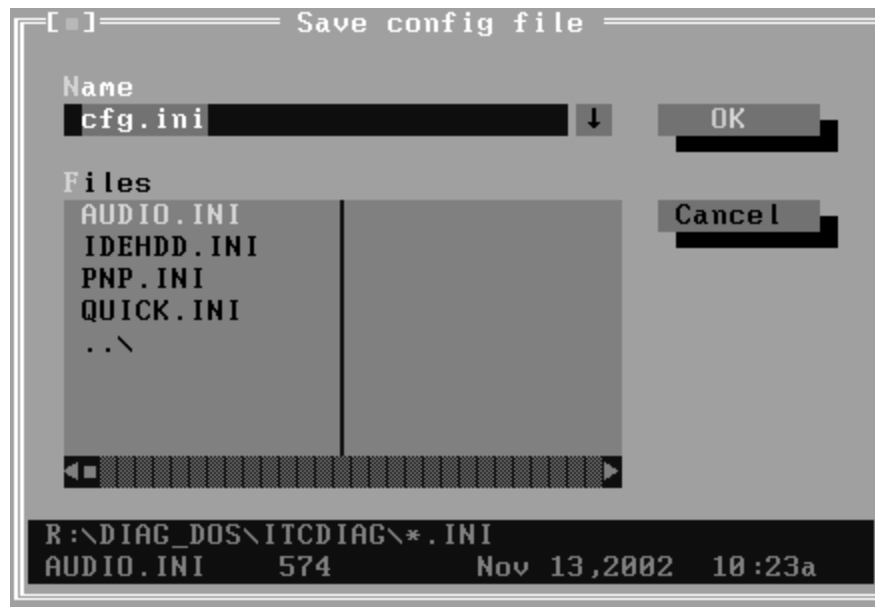
Batch parameter is saved in the script file whose extension name is INI (*.INI). Below is the screen shot of "Load Batch Parameters".



In this window, you can specify the .INI files that you wanted to be edited or modified.

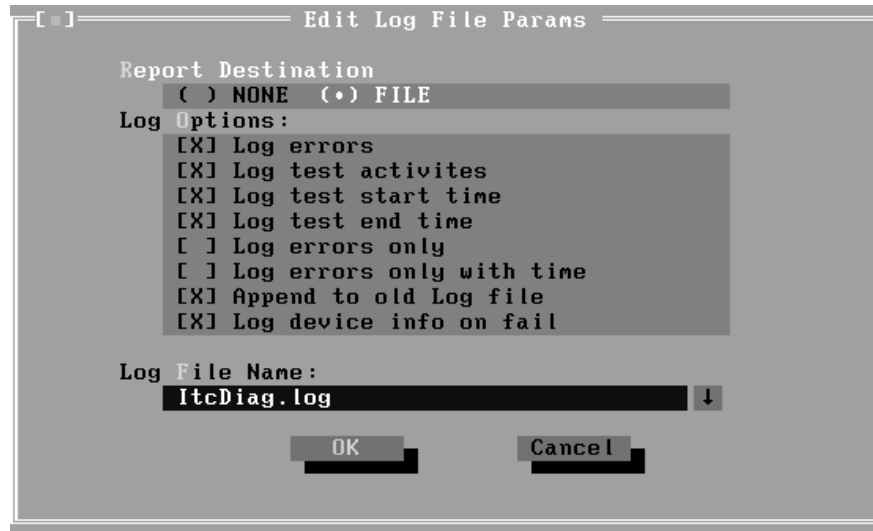
3.3.5 Save Batch Parameters

Here you can save the edited or modified content to the batch parameters files.



3.3.6 LOG Parameters Setting

You can access the Log Parameters screen through Service Diagnostics\Options - Generate Report.



? Report Destination

If selecting 'NONE', no log file will be generated; if selecting 'FILE', a log file with the name specified in 'Log File Name' will be generated.

? Log Options

✎ Log Errors

If selecting this parameter, errors will be recorded when the test fails.

✎ Log Test Activities

If selecting this parameter, the subtest results will be recorded.

✎ Log Test Start Time

If selecting this parameter, the start time of the test will be recorded.

✎ Log Test End Time

If selecting this parameter, the end time of the test will be recorded.

✎ Log Errors Only

If selecting this parameter, errors will be recorded only when the test fails.

✎ Log Errors Only with Time

If selecting this parameter, errors and time will be recorded only when the test fails.

✍ **Append to Old Log File**

If selecting this parameter, the new log will be added to the old one.

✍ **Log Device Info on Fail**

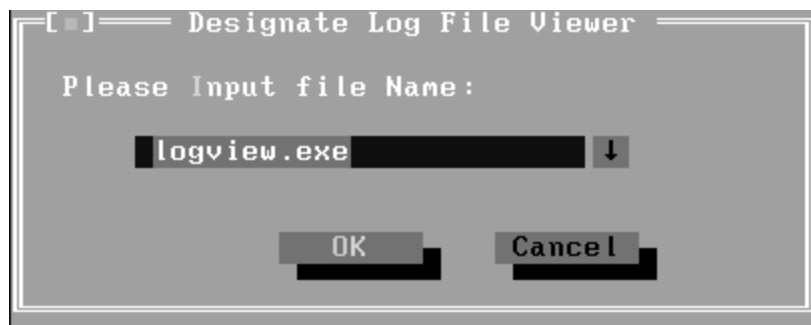
If selecting this parameter, details of the failed test will be recorded.

? **Log file Name**

Specify the Log file name. You can input the detail path of the file. System will show the detail path of the file.

3.3.7 Specify LOG Viewer

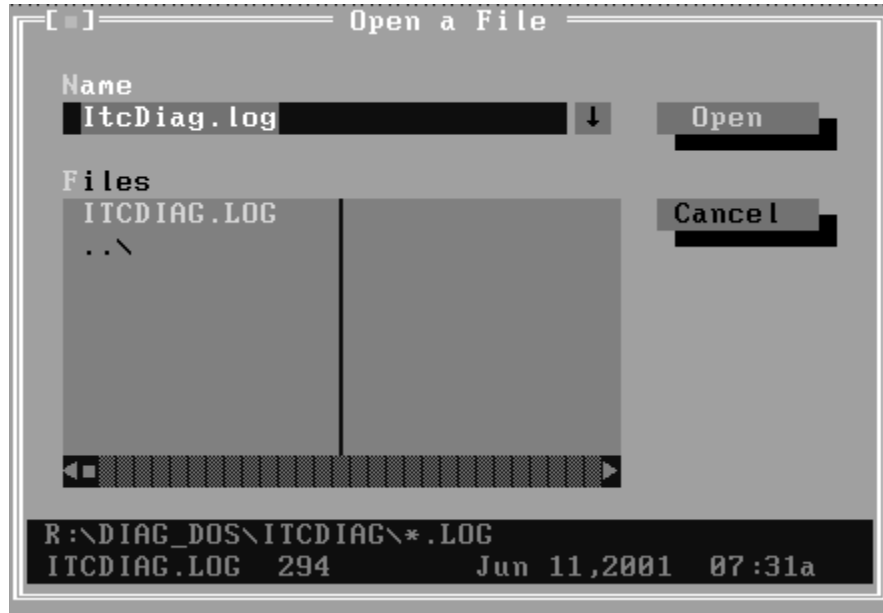
You can specify the Log file viewer in the Specify Log Viewer screen.



The default viewing program of Service Diagnostics is **LogView.exe**.

3.3.8 Display LOG File

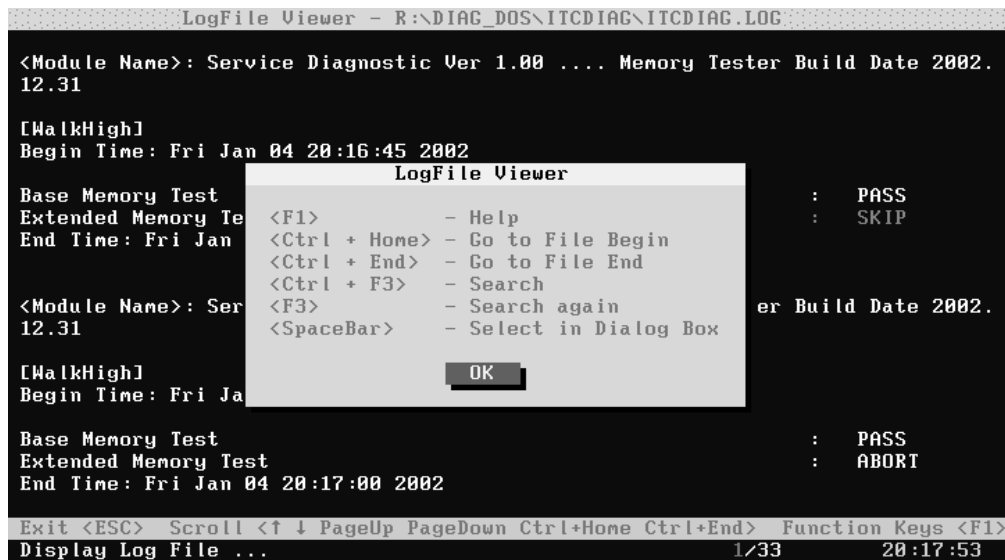
You can specify the Log file for viewing in the Display Error Log File screen.



In this screen, you can specify a Log file and view it with the viewer designated in Specify LOG Viewer.

3.3.9 LOG Viewer

Service Diagnostic Log viewer:



? ,?

Scroll a line backward or forward on the screen.

? Page Up, Page Down

Scroll a page backward or forward on the screen.

? **Esc**

Exit the Log viewer.

? **F1**

Display the Help information about the Log viewer operations and the functional keys.

? **Ctrl+Home**

Go to the start of the log file.

? **Ctrl+End**

Go to the end of the log file.

? **Ctrl+F3**

Prompt the search dialogue for the user to input the string to be looked for and specify the searching method.

? **F3**

Find the next corresponding strings given.

3.3.10 LOG File Sample

Log file is a test result file, which records the following information: Test module name, Test item name, Start/End time and the test result (including PASS, FAIL, SKIP and ABORT). When a failure is found, both the error code and the error information were recorded.

In the Log file, we use **Test Items** as the test item name, which could not be modified in the whole time. And we use the **Internal Name** as name in the program's UI, which corresponds to the test item name and could be modified according to the user's favorite.

The following section is a sample of log file:

DIAG REPORT

<Module Name>: Service Diagnostic Ver 1.01 ... Memory Tester Build Date 2002.12.31

[Walk High]

Begin Time: Mon Jan 05 10:45:36 2004

Base Memory Test : *PASS*
Extended Memory Test : *PASS*
End Time: Mon Jan 05 10:47:51 2004

<Module Name>: Service Diagnostic Ver 1.01 ... Mouse Test Build Date 2002.12.31

[MSTPad]
Begin Time: Mon Jan 05 10:48:54 2004

Touch Pad Test : *FAIL*
ITEM TEST FAIL
Function ID :502
Error Code :50202
Error Message :Touch Pad Test Fail
End Time: Mon Jan 05 10:49:16 2004

3.4 Subtests

Test Group	Sub Item ID	Subtest	Test ID	Test items	Internal Name		
System	01	CPU	01	Basic Functionality Test	[CPUBasicFun]		
			02	CPU Speed	[CPUSpeed]		
			03	Coprocessor NPU Basic Functions NPU Interrupt	Coprocessor [NPUFun] [NPUInterrupt]		
			04	CPU Information	[CPUInformation]		
			05	CPU Protected Mode	[Protect]		
			06	Speedstep	[Speedstep]		
			07	MMX	[MMX]		
	02	Board	01	DMA Controller	[DMACtrl]		
			02	Interval Timer	[Timer]		
			03	Clock / Calendar	[RealClock]		
			04	PCI System	[PCI]		
			05	Plug and Play	[PnP]		
			06	ACPI Test	[ACPI]		
	03	FAN	01	FAN Speed Test	[FANSpeed]		
			02	Chipset Fan Test	[CHIPFAN]		
Memory	01	BIOS ROM			[BIOSROM]		
			02	Pattern	01	Bit Stuck High Test	[BSHigh]
					02	Bit Stuck Low Test	[BSLow]
					03	Checker Board Test	[ChkBd]
					04	CAS Line Test	[CASLine]
					05	Incremental Test	[Incrment]
					06	Decremental Test	[Decrment]
	07	Incremental Decremental Test			[Idcrment]		
	03	Extended Pattern	01	Read/Write Cycle Test	[XWRCycle]		
			02	Read Cycle Test	[XRCycle]		
		04	Walking 1's Test		[WalkHigh]		
		05	Walking 0's Test		[WalkLow]		
		06	Memory Address		[Address]		
		07	Refresh Test		[Refresh]		

	08	Cache Memory			[CacheOne]
	09	Random Memory	01	Randomize Test	[Random]
			02	Random Increment Read/Write	[RandIncr]
	10	Data Bus Test			[DataBus]
	11	Memory Speed Test			[MemSpeed]
Storage	01	HDD	01	Sequential/Random R/W	[SeqRdRW1]
			02	Sequential/Random Seek	[Seek1]
			03	Performance	[Perform1]
			04	Controller Check	[Controller1]
			05	Diagnostic Read/Write	[DiagRW1]
			06	SMART Test	[SMART1]
	02	CDROM	01	Controller Test	[CDRWController]
			02	Data Transfer Rate	[CDRWTransRate]
			03	Data CD Butterfly Seek	[CDRWButterfly]
			04	Data CD Random Seek	[CDRWSeek]
			05	Data CD Sequence Seek	[CDRWSFSeek]
			06	Tray Eject Test	[CDRWTray]
Video	01	Text Mode	01	Character Test	[CharTest]
			02	Text Attribute	[Attribut]
			03	Text Page Selection	[PageSel]
			04	Text Color	[Color]
			05	80*25 Text Mode	[Text Mode]
	02	640*480 VGA Mode			[VGAMode]
	03	VESA Video Modes	01	640X480 Video Modes VESA 640x480x256 Mode VESA 640x480x32K Mode VESA 640x480x64K Mode VESA 640x480x16M Mode VESA 640x480x32bit Mode	[V640480_15] [V640480_16] [V640480_24] [V640480_32]
			02	800X600 Video Modes VESA 800x600x256 Mode VESA 800x600x32K Mode VESA 800x600x64K Mode VESA 800x600x16M Mode VESA 800x600x32bit Mode	[V800600_15] [V800600_16] [V800600_24] [V800600_32]
			03	1024X768 Video Modes VESA 1024x768x256 Mode VESA 1024x768x32K Mode VESA 1024x768x64K Mode	[V1024768_15] [V1024768_16] [V1024768_24]

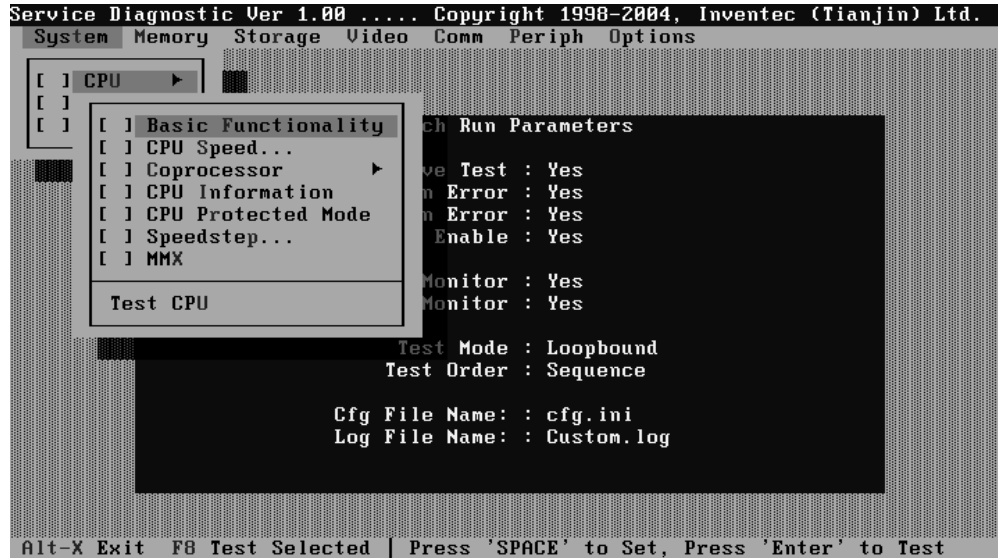
				VESA 1024x768x16M Mode VESA 1024x768x32bit Mode	[V1024768_32]
			04	1280X1024 Video Modes VESA 1280x1024x32K Mode VESA 1280x1024x64K Mode VESA 1280x1024x16M Mode VESA 1280x1024x32bit Mode	[V12801024_15] [V12801024_16] [V12801024_24] [V12801024_32]
			05	1400X1050 Video Modes VESA 1400x1050x32K Mode VESA 1400x1050x64K Mode VESA 1400x1050x16M Mode VESA 1400x1050x32bit Mode	[V14001050_15] [V14001050_16] [V14001050_24] [V14001050_32]
			06	1600X1200 Video Modes VESA 1600x1200x32K Mode VESA 1600x1200x64K Mode VESA 1600x1200x16M Mode VESA 1600x1200x32bit Mode	[V16001200_15] [V16001200_16] [V16001200_24] [V16001200_32]
	04	VESA Video Memory			[VESAMEM]
	06	AGP Test			[AGP]
	07	LCD Panel Test			[LCDPanel]
	08	Register Test			[Register]
	09	Color Purity Test			[ColPurity]
	10	Direct Color Test			[DirectColor]
	11	DAC/Palette Address			[DACPalAddr]
	12	Bitblt Engine Test			[Bitblt]
COMM	01	LPT	01	Register Check	[LPTRegister1]
			02	IRQ Check	[LPTInterrupt1]
			03	External Loopback	[LPTExLoopback1]
			04	ECP Mode	[LPTECP1]
	02	IrDA	01	IrDA Master	[IrMaster]
			02	IrDA Slave	[IrSlave]
	03	LAN Card	01	Device ID Detection	[DeviceID]
			02	Vendor ID Detection	[VendorID]
			03	Mac Address Detection	[MAC Address]
	04	1394	01	GUID Detection	[1394 R/W Test]
	05	pcie	01	Pcie Detection	[Pcie Detection]
Peripheral	01	Keyboard	01	Keyboard Data Line	[KBDataLn]
			02	Keyboard Led	[KBLED]

			03	Keyboard Clock Line	[KBClokLn]
	02	Mouse	01	TouchPad	[MSTpad]

3.5 System Test

Move arrow keys and press the **Space** key to select CPU test item from Service Diagnostic menu, then highlight **CPU** and press the **Enter** to run this test item.

Subtest 01 CPU

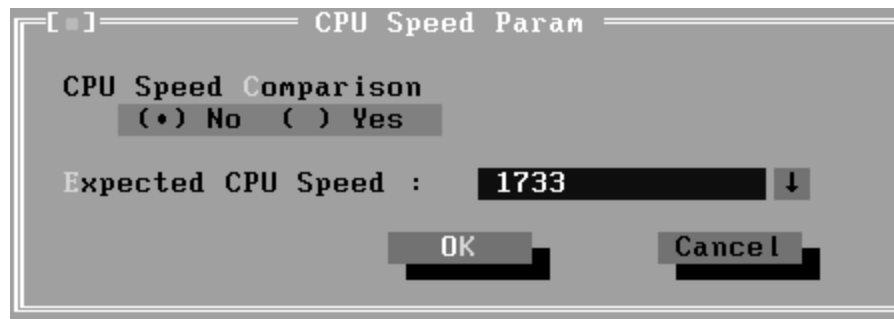


1. Basic Functionality Test

This test item is to check whether the CPU works normally through math and logic calculation, which means verifying the general registers, math registers and logic registers.

2. CPU Speed

This test item is to detect the work frequency of the current CPU. User should change the parameters setting in the following window before the test:



CPU Speed Comparison--Whether you want to make a comparison of the CPU speed with the value set in 'Expected CPU Speed', you should choose 'Yes'; otherwise, 'No'.

Expected CPU Speed--Specify the expected CPU Speed value you want for further comparison.

3. Coprocessor

✎ NPU Basic Functions Test

This test item is to check whether the precision of the numeric processor in the float calculation is up to the IEEE standards.

✎ NPU Interrupt Test

This test item is to check whether NPU transfers the abnormal Interrupt program correctly by forcing an abnormal float.

4. CPU Information

This test item is used for getting & showing CPU Information. It will be displayed as follows:

```

Service Diagnostic Ver 1.00 ... CPU Test Build Date 2004.7.23

CPUInformation Testing
CPU Information :
Standard Speed - 1730MHz
Current Speed - 1728MHz
PROCESSOR ID - 06FFD8
BRAND ID - 0X16 (Pentium-M processor)
Unique ID - Disable
MSR17 = 00001400A90624D0
MSR2A = 0000000000004B43
PASS

Total Fail List
Error Description

Fails Found: 0

LOOPBOUND C.TIME:2004-11-18 23:06:05 COUNT: 01/01 CPU:08C BAT:100
ORDER:SEQ Custon.log S.TIME:2004-11-18 23:06:04 HALT WAIT PAUSE | Esc: Break

```

5. CPU Protected Mode Test

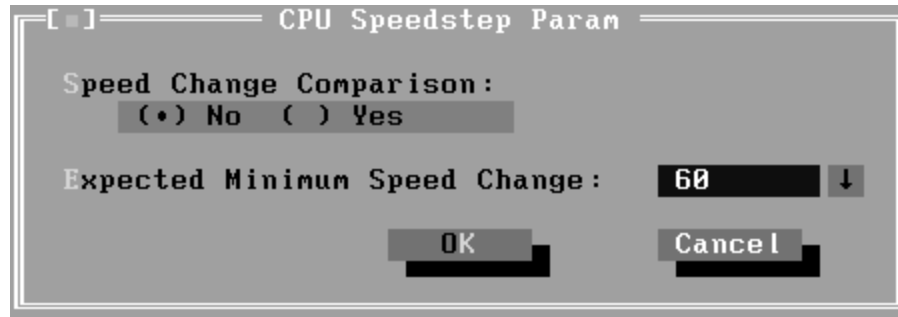
This test item is to check whether CPU protected mode instruction works normally.

6. Speedstep

Speedstep is a kind of energy-saving running mode that is supported by the Pentium III or above.

This test item is to check whether the CPU supports Speedstep function according to the change of the CPU work frequency in different power supply mode. In this test item, the user is required to operate on the screen prompted.

Below is the parameter dialog window of CPU Speedstep test item:



Speed Change Comparison—When choosing ‘No’, system only reports the CPU speed at the different power supply. Otherwise, it will compare the CPU speed at High Speed and Low Speed. Whether the difference between the two speeds is greater than the value specified in ‘Expected Minimum Speed Change’, system will report ‘PASS’, otherwise ‘FAIL’.

Expected Minimum Speed Change—Specify the minimum change range of CPU speeds under High Speed and Low Speed.

7. MMX

The test item is to confirm whether the CPU supports MMX instructions.

Subtest 02 Boards

1. DMA Controller

This test item is to check whether the DMA controller works normally.

2. Interval Timer

This test item is to check whether the Interval Timer (18.2Hz, 55ms) works normally.

3. Clock/Calendar

This test item is to check whether the system clock/calendar works normally.

4. PCI System

This test item is to check whether the bus number, device number and function number in PCI bus are valid.

5. Plug and Play

This test item is to check:

1. Whether the current system supports Plug-n-Play;
2. Whether there is an ESCD (Extended System Configuration Data) in the BIOS;
3. Whether there is PCI-to-ISA bridge in the system;
4. Whether there is PCI bus in the system.

6. ACPI Test

ACPI test includes two sub-items as below:

System Address Map Test: Check the correctness of ACPI system memory map, and whether its mapping scope is within real memory.

ACPI Table Test: Check the correctness of ACPI relative configuration tables in the current system.

Subtest 03 FAN Speed Test

1. CPU Fan Speed Test

This test item is to check whether the CPU fan currently used works normally in the different speeds of stop, slow, middle and fast.

```

Service Diagnostic Ver 1.00 ... FanTest Build Date 2004.10.18

          FanSpeed Testing
FanSpeed      :
Fan Stop Speed Test :
  Setting    0 ~ 200 rpm :
  Detected   0 rpm      :PASS
Fan Slow Speed Test :
  Setting   1500 ~ 3100 rpm :
  Detected  2730 rpm      :PASS
Fan Middle Speed Test :
  Setting   3300 ~ 3850 rpm :
  Detected  3612 rpm      :PASS
Fan Fast Speed Test :
  Setting   3950 ~ 4500 rpm :
  Detected  4236 rpm      :PASS

Current Fan Speed:4236 rpm

          Total Fail List
Error  Description

Fails Found: 0

LOOPBOUND          C.TIME:2004-12-13 15:06:16 COUNT: 01/01 CPU:51C BAT:100
ORDER:SEQ Custom.log S.TIME:2004-12-13 15:02:52 ---- WAIT PAUSE ; Esc: Break

```

2. Chipset Fan Speed Test

This test item is to check whether Chipset Fan exists or not. If it exists, the test will check the speed of Chipset Fan at the status of Power On or Power Off.

3.6 Memory Test

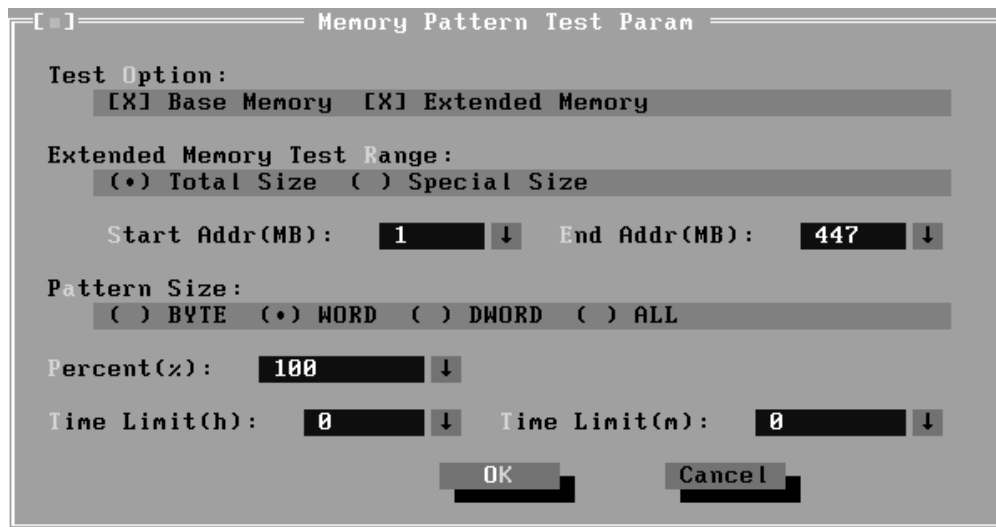
This test module is to check whether the memory chip works normally.

Subtest 01 BIOS ROM

This test item is to check the validity of BIOS ROM that includes two sub-items -- ROM Read and ROM Write Protection. ROM Read is to check whether BIOS ROM could be correctly read out, ROM Write Protect is to check whether BIOS ROM is write-protected.

Subtest 02 Patterns

This test item is to check whether the system memory includes base memory and extended memory that could be accessed correctly through writing and reading with a series of designed pattern data. Below is the parameter setting dialog window.



Test Option: Choose the Memory part to take the test– Base Memory or Extended Memory.

Extended Memory Test Range: Specify the test coverage range of Extended Memory. If user chooses Total Size, it means that the whole Extended Memory will be tested. Although user can input the parameter into other select box, but the selected result is invalid. If user chooses Special Size, the test of Extended Memory will be taken according to the coverage range that user chooses or time.

Extended Memory Start Address (MB) & Extended Memory End Address (MB): Set the range of extended memory that is to be tested, the

test coverage would be based on the setting and the value in 'Percent (%) mentioned at below.

Pattern Size: Choose the pattern size – BYTE, WORD, DWORD or ALL.

Percent (%): Choose the percentage of the defined range of the memory to be tested.

Time Limit(h): Choose or Input the time (hour) of the defined range of the memory to be tested.

Time Limit(m): Choose or Input the time (minute) of the defined range of the memory to be tested.

1. Bit Stuck High Test

Data pattern: Every bit is '1' (Each bit is high)

2. Bit Stuck Low Test

Data pattern: Every bit is '0'(Each bit is low);

3. Checker Board Test

Data pattern: Lo-byte and hi-byte are composed with 0101(0x5) and 1010 (0xA);

4. CAS Line Test

Data pattern: Lo-byte and hi-byte are composed with 0000 (0x0) and 1111(0xF);

5. Incremental Test

Data pattern: A series of increasing data from 0 by adding 1 each time;

6. Decrement Test

Data Pattern: A series of decreasing data from the maximum (e.g. 0xFFFF) by subtracting 1 each time;

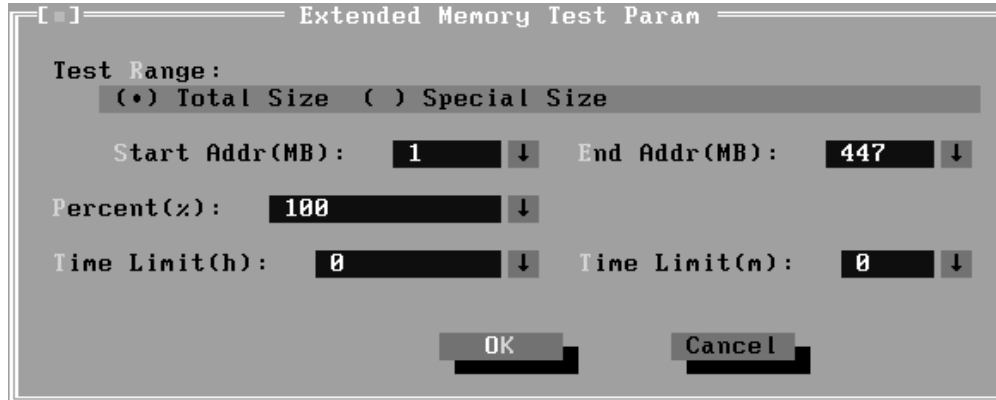
7. Incremental / Decrement Test

Data Pattern is a series of data whose low byte is increasing data from 0x00 and high byte is decreasing data from 0xFF.

Subtest 03 Extended Pattern

In addition to the above pattern test of the memory, there is Read/Write Cycle test and Read Cycle Test for the extended memory.

Below is the parameter dialog window of the extended pattern test.



Test Range: Specify the test coverage range of Extended Memory. If user chooses Total Size, it means that the whole Extended Memory will be tested. Although user can input the parameter into other select box, but the selected result is invalid. If user chooses Special Size, the test of Extended Memory will be taken according to the coverage range that user chooses or time.

Extended Memory Start Address and Extended Memory End Address (MB): Set the range of extended memory that is to be tested. The test coverage will be according to the value setting in 'Percent (%)' mentioned at below.

Percent (%): Choose the percentage of the defined range of the memory to be tested.

Time Limit(h): Choose or Input the time (hour) of the defined range of the memory to be tested;

Time Limit(m): Choose or Input the time (minute) of the defined range of the memory to be tested.

1. Write/Read Cycle Test

Test by using both read and write instructions.

2. Read Cycle Test

Test by using read instructions.

Subtest 04 Walking 1's Test

The test item is to ensure that there is no short circuitry issue in memory chip. The parameter dialog window is the same as that in 'Subtest 02 Pattern'.

Subtest 05 Walking 0's Test

The test item is to ensure that there is no open circuitry issue in memory chip. The parameter dialog window is the same as that in 'Subtest 02 Pattern'.

Subtest 06 Memory Address

This test item is to check short and open issue on memory address lines.

Subtest 07 Refresh Test

This test item is to check whether the memory refresh works normally. The parameter dialog window is as follows:



Subtest 08 Cache Memory

The test item is to check whether the CPU internal cache memory could be accessed correctly.

Subtest 09 Random Memory

Random Memory test includes the following two test items: Randomize Test and Random Incremental Read/Write Test. The parameter dialog window is the same as that in 'Subtest 03 Extended Pattern'.

1. Randomize Test

This test item is to check whether the memory could be correctly accessed with randomized data and randomized memory address.

2. Random Increment Read/Write

This test item is to check whether the memory could be correctly accessed with randomized memory address and a series of incremental data.

Subtest 10 Data Bus Test

This test item is to check whether the data bus works normally.

Subtest 11 Memory Speed Test

This test item is to check the data-transferring rate for the cache memory and the system memory.

3.7 Storage

Subtest 01 HDD

This test item runs on IDE hard disks. It checks the functions and performance of IDE hard disk.

1. Sequential/Random R/W

This test item is to check the HDD's Read/Write function through data writing and reading to HDD.

This test item needs user to submit the parameters:



IDE HDD Test Range-- Specify the test coverage range of IDE HDD. If user chooses Total Size, it means that the whole IDE HDD will be tested. Although user can input the parameter into other select box, but the selected result is invalid. If user chooses Special Size, the test of IDE HDD will be taken according to the coverage range that user chooses or time.

LBA Start, LBA End--Specify the start and end byte in LBA (Large Block Address).

Percent—Specify the coverage rate in percentage of the total disk.

Time Limit(h): Choose or Input the time (hour) of the defined range of the total disk to be tested.

Time Limit(m): Choose or Input the time (minute) of the defined range of the total disk to be tested.

Test Mode—Choose test mode from the following options:

(1) **Read & Write**—Write data on the disk, then read it out and compare the two value;

(2) **Read Verify**—Read data only;

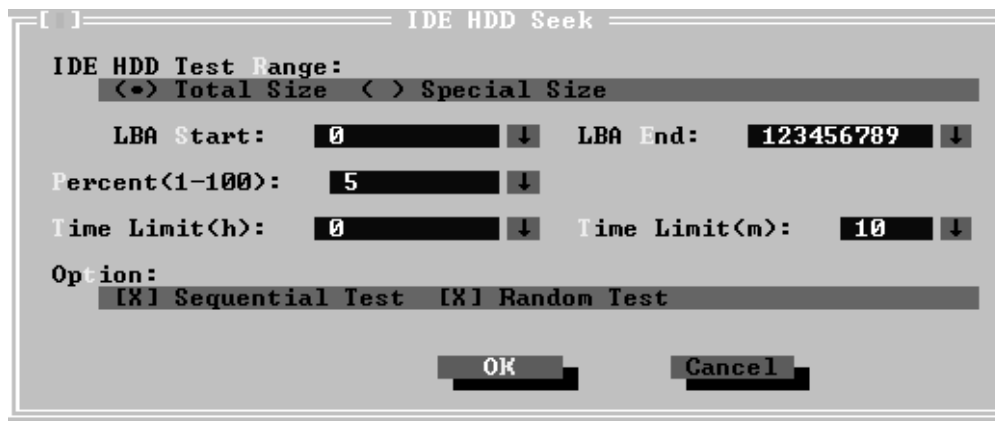
(3) **Unprotected Write**—Write data on the disk without backup original data.

Option—Select sequential test or random test

2. Sequential/Random Seek

The test item is to check the correctness of the HDD's sector's seeking function.

This test item involves the following parameters:



IDE HDD Test Range—is same as the description of the upper item.

LBA Start, LBA End-- specify start and finish byte in LBA(Large Block Address);

Option-- Select sequential test or random test;

Percent-- Specify the coverage rate in percentage of the total disk.

Time Limit(h): Choose or Input the time (hour) of the defined range of the total disk to be tested;

Time Limit(m): Choose or Input the time (minute) of the defined range of the total disk to be tested.

3. Performance

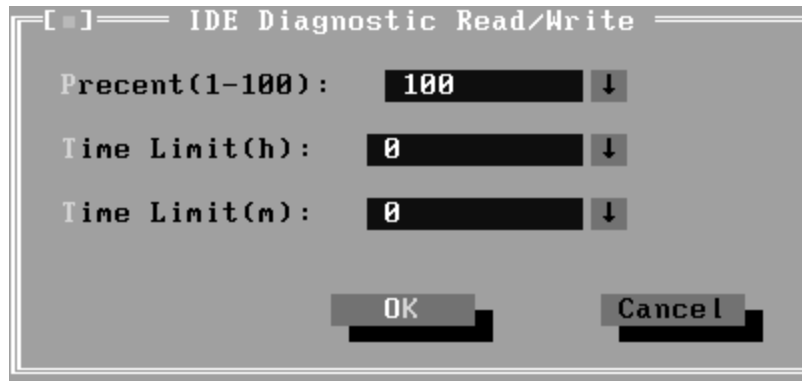
Check the HDD's seeking speed and transfer the data rate.

4. Controller Check

Check the HDD controller's status, including HDD interrupt and unexpected interrupt.

5. Diagnostic Read/Write

This test item is a quick test to verify whether the HDD could be correctly accessed and the user could specify the percentage in the below dialog.



Percent (1-100)-- Specify the coverage rate in percentage of the total disk.

Time Limit(h): Choose or Input the time (hour) of the defined range of the total disk to be tested;

Time Limit(m): Choose or Input the time (minute) of the defined range of the total disk to be tested;

6. SMART Test

SMART stands for Self-Monitoring, Analysis and Reporting Technology. SMART test will compare the attribute values with the threshold value in the HDD's controller to confirm whether there is any failure in the HDD

Subtest 02 ODD

The ODD test runs on IDE CDROM/DVD-ROM & CD-RW. It will check the ODD driver's functionality and performance.

1. Controller Test

Check the CDROM controller's status.

2. Data Transfer Rate

Check the data transfer rate of the ODD drive. It will read data from the ODD disc and calculate the data transfer rate. This test needs a data CD.

3. Data CD Butterfly Seek

Check the seek function of the ODD drive. It will perform a serial of seeking operations. First, locate the minimum LBA address, then the maximum, the sub-minimum, the sub-maximum and meet at center point. This test needs a data CD.

4. Data CD Random Seek

Check the random seek function of ODD drive. Random access will reflect the performance of the heads' random movement and seek. It tests for 1000 times.

5. Data CD Sequence Seek

Check the sequential seek function of ODD drive. Perform location test to CD-RW under LBA mode with the location address increasing in sequence.

6. Tray Eject Test

Check the eject function of the ODD. It will eject the ODD and ask the user to confirm if the operation succeeds.

3.8 Video

This test item tests the video by:

1. displaying the figures in different graphic modes.
2. displaying the property and color of the characters in different text modes.

User will confirm whether each video mode works normally by judging whether the display is correct. It checks whether the video memory works normally by writing data into the video memory, then reading it out and comparing the two value.

Subtest 01 Text Mode

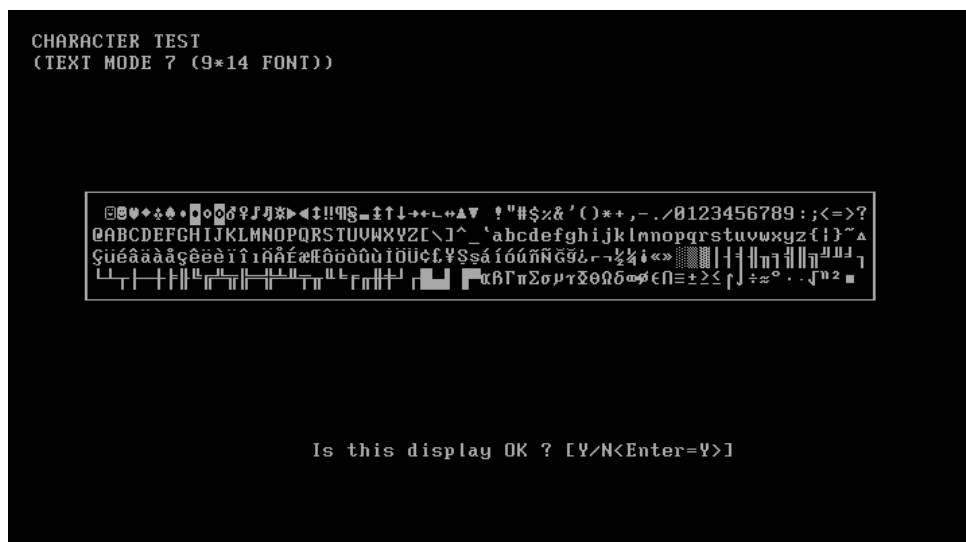
1. Character Test

Tests two types of font patterns.

Font 9*14

Font 9*16

It requires the user to check whether all characters of each font type displayed correctly by answering the questions prompted on screen. It will be displayed as follows:.



2. Text Attribute

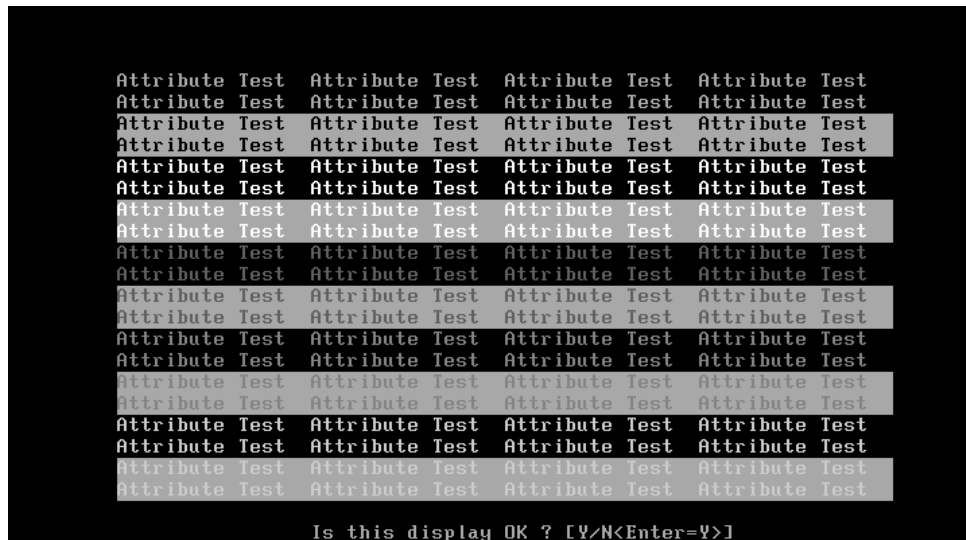
This test item is to check whether the text attribute of normal, hi-intensity, inverse, and blinking in VGA text mode could be correctly displayed on the screen.

It would display the below texts of the different attributes in the screen:

1. Text in normal attribute;
2. Text in blinking normal attribute;
3. Text in inverse attribute;
4. Text in blinking inverse attribute;
5. Text in hi-intensity attribute;
6. Text in blinking hi-intensity attribute;

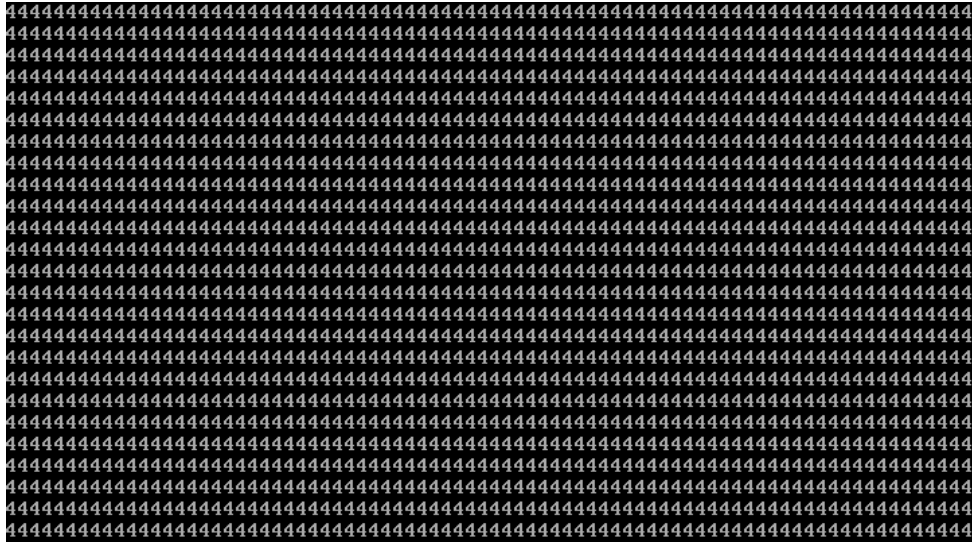
Users need to check whether all texts displayed correctly in the above six attributes and key in the answer 'Y' or 'N' to the prompts 'Is this display OK? [Y/N<Enter=Y>]'

Below is the test screen of Text Attribute.



3. Text Page Selection

This test item is to check whether the video memory could be correctly written and read in VGA text mode. According to the comparison of written data with read data, the program would report PASS or FAIL.

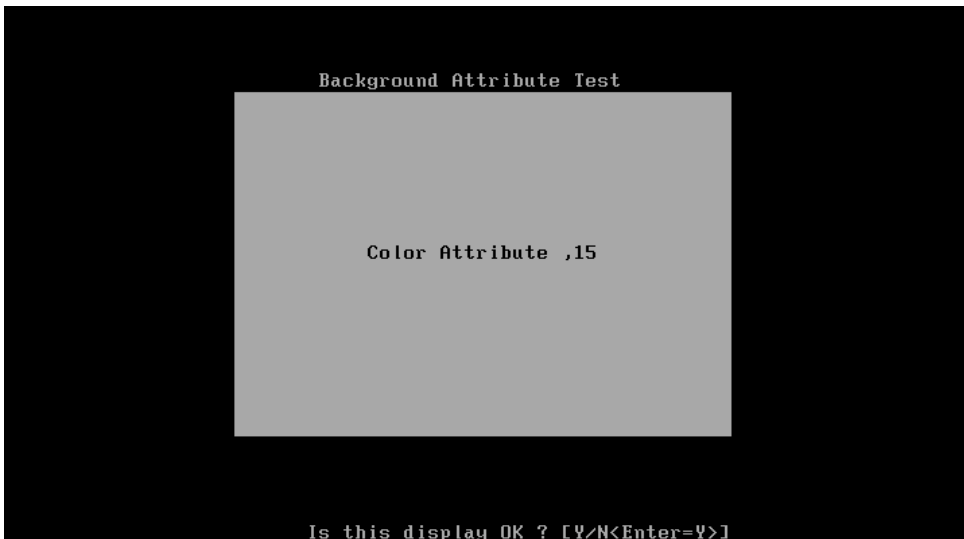


4. Text Color

This test item is to check whether all 16 colors foreground and all 8 colors background works normally in VGA text mode.

The bit4-6 of the attribute byte of a character defines 8 background colors (black, blue, green, cyan, red, brown, magenta, and light gray), and the bit0-3 defines 16 foreground colors (dark gray, light blue, light green, light cyan, light red, light magenta, yellow, and white besides the above 8 colors).

In the test, user is required to respond according to the instruction in the screen.



5. 80 * 25 Text Mode

This test item is to check whether 80*25 Text Mode works normally.

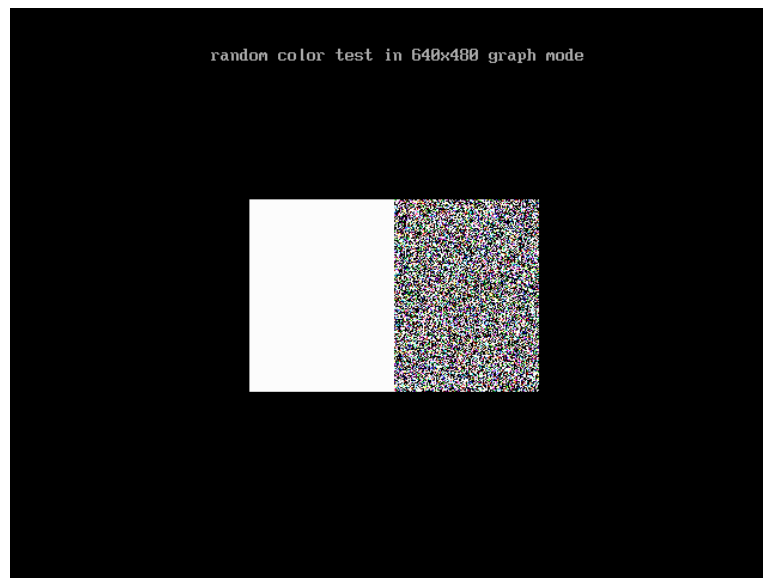
In the test, user is required to respond according to the instruction in the screen.



Subtest 02 640 * 480 VGA Mode

This test item is to check whether 680*480 VGA Text mode works normally.

In the test, user is required to respond according to the instruction in the screen.

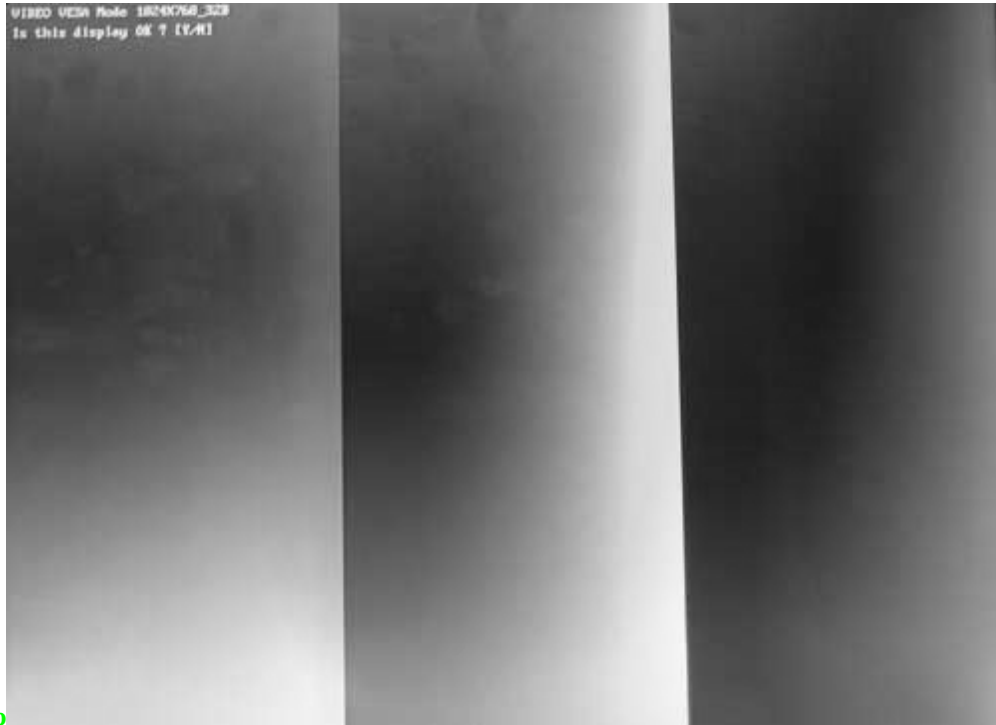


Subtest 03 VESA Video Modes

This test item is to check whether all the video modes supported by the video card works normally.

In the test, user is required to respond following the instruction in the screen.

1. 640X480 Video Modes Test



2. 800X600 Video Modes Test

3. 1024X768 Video Modes Test

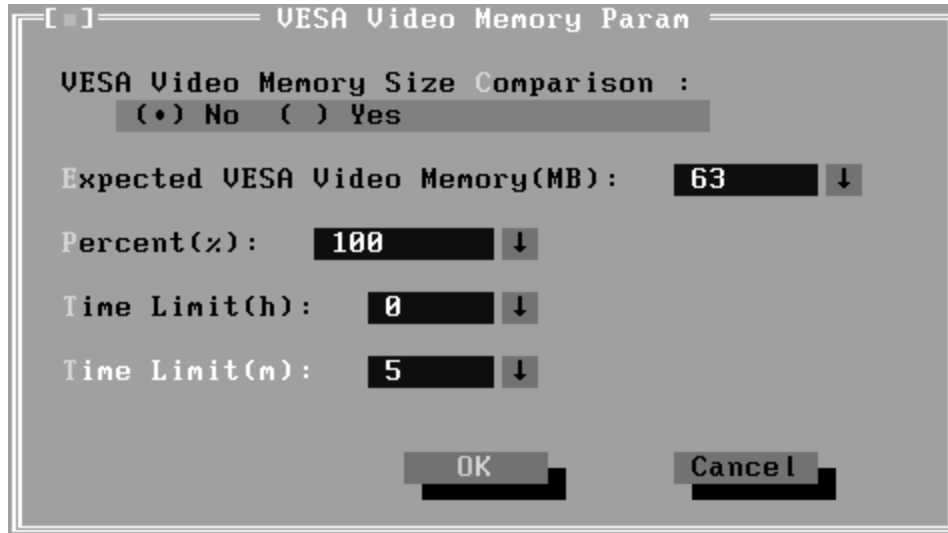
4. 1280 x1024 Video Modes Test

5. 1400 X1050 Video Modes Test

6. 1600 X1200 Video Modes Test

Subtest 04 VESA Video Memory

This test item is to check whether VESA video memory could be correctly accessed (write data & read data). Below is the test item's parameter dialog window:

**Subtest 05 DDC Test**

This test item is to check whether the video card and the video display support DDC (Display Data Channel).

Subtest 06 AGP Test

This test item is to report the system's Accelerated Graphics Port status and check whether AGP registers works normally.

Subtest 07 LCD Panel Test

This test item is to check whether there is any fault in its resolution by displaying the RGB gradient color screens.

**Subtest 08 Register Test**

This test item is to check whether the registers of the video adapter works normally.

Subtest 09 Color Purity Test

This test item is to check whether the system (the video adapter and the display) could display the purity color of red, green, blue, black and white.

In the test, user is required to respond according to the instruction in the screen.

Subtest 10 Direct Color Test

This test item is to check the video adapter's composing ability of direct color in high and true color mode.

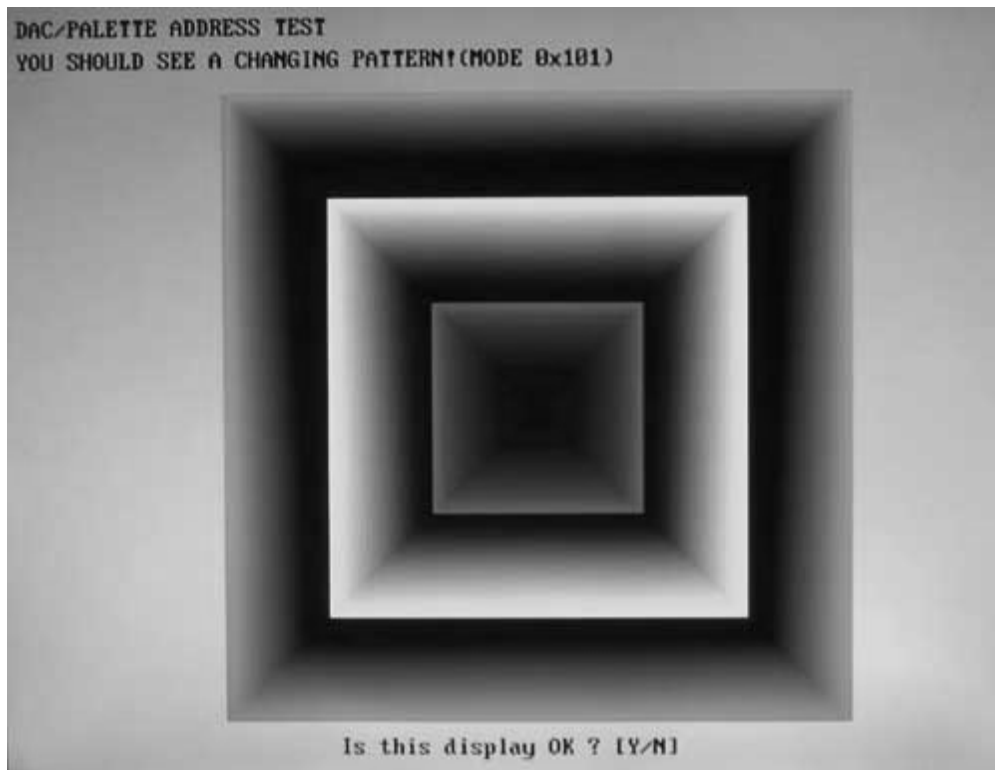
In the test, user is required to respond according to the instruction in the screen.



Subtest 11 DAC/Palette Address

This test item is to check the function of DAC registers and Palette registers.

In the test, user is required to respond according to the instruction in the screen.



Subtest 12 BitBlt Engine Test

This test item is to check whether the BitBlt engine works normally.

BitBlt is the abbreviation of 'Bit Block Translate', that means the copy of data block for 3 types, from video memory to video memory, from video memory to system memory, and from system memory to video memory.

What should be done is to write the data of the type of BitBLT operation and the location of BitBLT source area and destination area into the BitBLT registers, and all those operations will be completed automatically by BitBLT engine with minimum CPU intervention.

3.9 Communication (COMM)

Subtest 01 LPT

This test item is to check whether there is open or short circuit issue in the external pins by looping back the external pins, controlling the voltage of each data pin, control pin and status pin.

The test requires an external connector to insert into the tested LPT port. Below is the connector's description.

Fixture Description:

(9) + PD7	_____	(15) -ERROR
(8) + PD6	_____	(14) -AUTFD
(7) + PD5	_____	(13)
(6) + PD4	_____	(16) -PINIT
(5) + PD3	_____	(1) - STROBE
	_____	(10) - ACK
(4) + PD2	_____	(12) + PE
(3) + PD1	_____	(17) - SLIN
(2) +PD0	_____	(11)+ BUSY

Note: (1)~(17) ----- Pin number

PD0~ PD7-----Data Line

Status Line ----- -ERROR(S3), +SELECT(S4), -ACK(S6), +PE(S5), +BUSY(S7)

Control Line----- -AUTFD(C1), -PINIT(C2), -STROBE(C0), -SLIN(C3)

1. Register Check

Check whether the data register and control register works normally.

2. IRQ Check

Check whether LPT interrupt works normally.

3. External Loop back

Check whether there is open or short circuit issue.

4. ECP Mode

Check whether it supports ECP (Extended Capabilities Port) feature.

Subtest 02 IrDA

This test item supports the transfer rates of 2.4Kbps, 9.6Kbps, 19.2Kbps, 38.4Kbps, 57.6Kbps, 115.2Kbps , 0.576Mbps,1.152Mbps and 4.00Mbps. The unit under testing (UUT) is called Slave, that requires a unit whose IrDA works normally(that is called Master) for transferring data between Slave and Master..

Below are the operation steps:

- ✎ Prepare a Master whose IrDA works normally, then run the test item from Main Menu, The master stays here to wait for slave requesting.
- ✎ Prepare a slave. User should choose the test item from Main Menu and set parameters.

Below is the Slave Testing window.

```
EVALUATION SOFTWARE -- NOT FOR SALE

SMC SuperIO & UltraIO Configuration Utility -- ManSlave.Exe V2.5
Copyright (c) 1996-2004 Standard Microsystems Corporation.

Program will echo SIR/FIR frames with companion ManMast Utility.
sirBase = 0x03F8, firBase = 0x0100, wDmaCh = 1; press any key to quit...

Waiting for frame @ 57.6 Kbps
Echoing good frame, nextSpeed = 115.2 Kbps
Waiting for frame @ 115.2 Kbps
Echoing good frame, nextSpeed = 0.576 Mbps
Waiting for frame @ 0.576 Mbps
Echoing good frame, nextSpeed = 1.152 Mbps
Waiting for frame @ 1.152 Mbps
Echoing good frame, nextSpeed = 4.0 Mbps
Waiting for frame @ 4.0 Mbps
Echoing good frame, nextSpeed = 9.6 Kbps
Waiting for frame @ 9.6 Kbps
Waiting for frame @ 9.6 Kbps
```

Below is the Master Testing window:

```

EVALUATION SOFTWARE -- NOT FOR SALE

SMC SuperIO & UltraIO Configuration Utility -- ManMast.Exe V2.5
Copyright (c) 1996-2004 Standard Microsystems Corporation.

Program will exchange IR frames with companion ManSlave Utility.

Found an IR_UTILS.INI File; no Chip ID & Rev available.
SirBase = 0x03F8, IrqNo = 3, FirBase = 0x0100
SncId = 0x10B8, IrccId = 0xF2, IrccRev = 0x00, DmaCh = 1

Ushay Telefunken transceiver
sirBase = 0x03F8, firBase = 0x0100, wDmaCh = 1; press any key to quit...

Looking for another station @ 9600 bps: Got echo OK

Sending @ 9.6 Kbps, waiting for echo @ 2.4 Kbps: Got echo OK
Sending @ 2.4 Kbps, waiting for echo @ 9.6 Kbps: Got echo OK
Sending @ 9.6 Kbps, waiting for echo @ 19.2 Kbps: Got echo OK
Sending @ 19.2 Kbps, waiting for echo @ 38.4 Kbps: Got echo OK
Sending @ 38.4 Kbps, waiting for echo @ 57.6 Kbps:

```

Press any key to quit when you want to stop

Subtest 03 LAN Card

This test item is to check whether the module can detect the existence of the network card and display its related information.

1. Device ID Detection

Detect the device ID of the network card.

2. Vendor ID Detection

Detect the vendor ID of the network card.

3. MAC Address Detection

Detect the MAC address of the network card.

Subtest 04 1394

GUID Detection

This test item is used to read and display GUID from 1394 register.

Subtest 05 Pcie

Pcie Detection

This test item is used to detect Pcie device ID and vendor ID.

Only the AboCom ExpressCard 34 GigabitEthernet. device can be detected so far.

3.10 Peripheral

Subtest 01 Keyboard

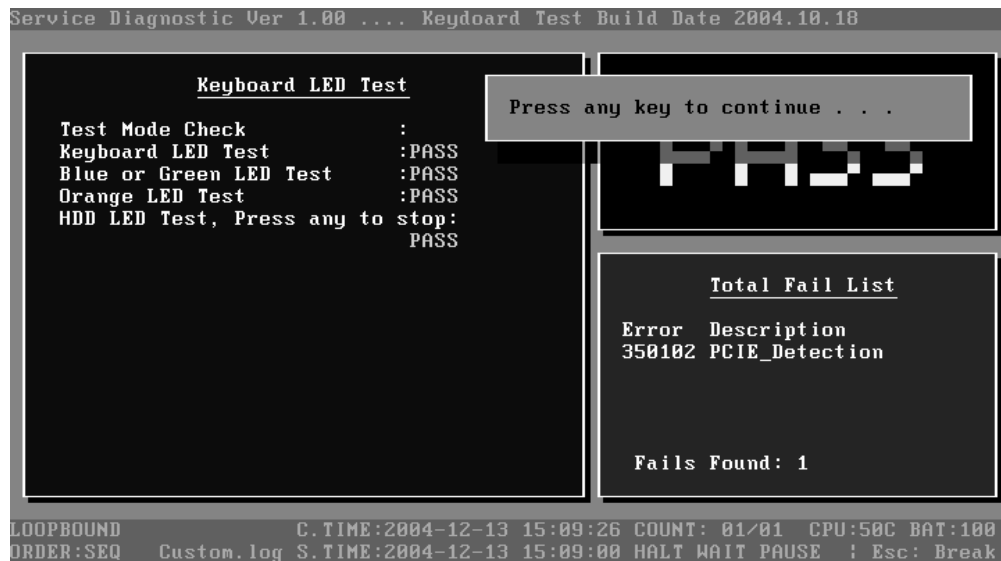
This test item is to check whether the keyboard works normally.

1. Keyboard Data Line Test

Check whether the keyboard data line works normally.

2. Keyboard Led Test

Check whether the keyboard led works normally.



3. Keyboard Clock Line Test

Check whether the keyboard clock line works normally.

Subtest 02 Mouse Test

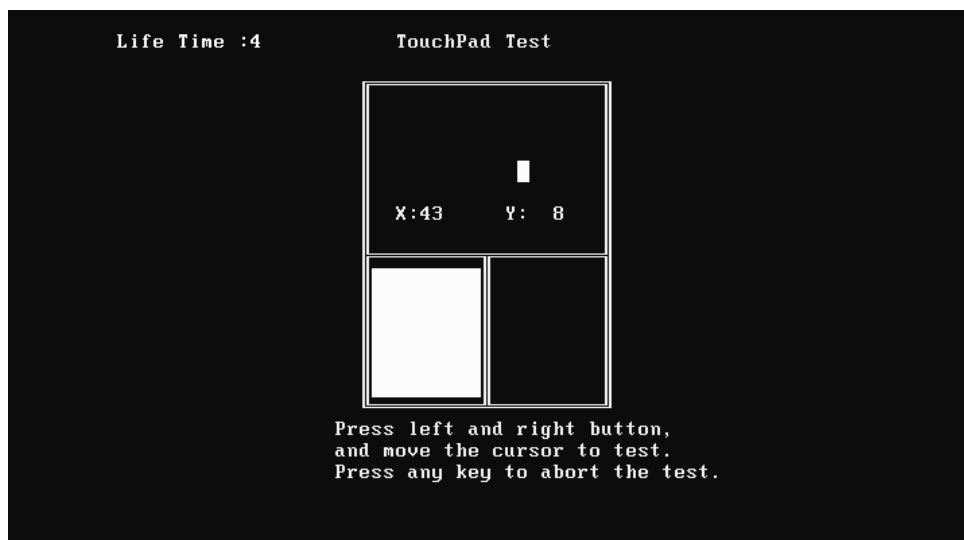
Check whether the point devices work normally.

1. Touch Pad

Before test Touch Pad's function, user should set a timeout time at below screen:



At the below screen of Touch Pad test, user can press the left button, right button, and move the mouse to verify its functions for times, and the test will end either by user break or test time is out.



3.11 Error Codes and description

The format of 'Error Code' is 'ddxee', and 'dd' is the device ID (1~2 chars), 'xx' is test function ID of device (2 chars), 'ee' is the error code of device (2 chars); the range of error code is from 01 to 99 in each device (the common error codes in all device are set to 99 and spanned).

Device	Error Code	Description	Cause	Action
ddxx	ee	Common Error		
	94	Interactive Mode Needed	The test is not under interactive mode.	Check whether the interactive test mode is adopted.
01xx		CPU		
	01	CPU General Function Error	The CPU General Function register is damaged.	Replace the CPU.
	02	CPU Arithmetic Error	The CPU Arithmetic Register is damaged.	As above.
	03	CPU Logic Error	The CPU Logic Register is damaged.	As above.
	04	CPU Type Error	The CPU Type is not supportable.	Check whether the CPU is Intel CPU.
	05	CPU Speed Error	The CPU speed differs from the expected value.	Check the CPU speed and the set expected speed.
	06	NPU General Function Error	The NPU arithmetic unit is damaged.	Replace the CPU.
	07	NPU Interrupt Error	The NPU is damaged.	As above.
	08	CPU Information Error	Information of the CPU cannot be acquired.	Check whether the CPU is Intel CPU.
	09	Protected Instruction Error	The CPU is damaged.	Replace the CPU.
	10	Does not Support CPU Speedstep	The CPU does not support Speedstep.	Check whether the power change mode is correct.
	11	CPU Speedstep Power Change Error	The power mode is not correctly changed.	As above.
	12	CPU Speedstep Speed Change Error	The CPU frequency cannot alternate normally with the change of power mode.	Confirm with the same type CPU.
	21	MMX Test Error	The CPU MMX register is damaged.	Replace the CPU.
02xx		Memory		
	01	Read Error	The ROM BIOS has Physical problems.	Test this unit on multiple machines.

	02	Write-Protect Error	The ROM BIOS has Physical problems.	As above.
	03	Base Memory Error Address	The test pattern read out from the base memory is different from the one that has been written in this address.	Test this memory chip on multiple machines.
	04	(XMS)Memory Problem	The test pattern read out from the extension memory is different from the one that has been written in this address.	As above.
	05	(XMS) Out Of Range	Wrong parameters setup.	Check and reset the parameters.
	06	Address Test Error	Interference between different address channels.	Test this memory chip on multiple machines.
	07	Toggle Bit Error	Errors with the timer chip.	As above.
	08	Interval Error	The acquired refreshing frequency is out of the estimated range.	Reset the estimated range.
	09	L1 Cache test Error	The pattern read out from the L1 Cache is different from the one that has been written in the same address.	Test this unit on multiple machines.
	12	Data Bus Error	Interference between different data channels.	As above.
	14	Speed Error	Failure during the transfer speed test.	As above.
03xx		Board		
	01	DMA Test Error	DMA channel cannot transfer data normally.	Repeat multiple times. Whether there is always the same error, replace the board.
	04	Interval Timer Error	The difference between the actual precision of the interval timer and its theory value is out of the permitted range. The timer counts imprecisely.	As above.
	05	Periodic Faster Error	The frequency is beyond the standard.	As above.
	06	Periodic Slower Error	The frequency is below the standard.	As above.
	07	Update-ended Interrupt Error	R/W errors with the RTC refreshing interrupt controller.	As above.

	08	RTC Alarm Error	The PC speaker's sound source -- counter/timer 8253 cannot produce corresponding timing signal.	As above.
	13	PCI Bus Error	No PCI.	Check the board.
	14	PCI Bus Scan Error	PCI test fails.	As above.
	15	PCI Device Access Error	PCI access fails.	As above.
	16	PCI Config Verification Error	Wrong PCI configuration.	Check PCI configuration on main board or PCI Device configuration.
	17	PCI to ISA Bridge Error	PCI-ISA bridge errors.	Repeat multiple times. If there is always the same error, replace the board.
	18	ESCD Error	ESCD errors.	As above.
	53	ACPI Table Test Error	Errors with the ACPI table test.	As above.
34xx		FAN		
	01	Fan Slow Speed Test Fail	The fan slow speed test fails.	Check the FAN connection.
	02	Fan Stop Test Fail	The fan stop test fails.	As above.
	03	Fan Fast Speed Test Fail	The fan fast speed test fails.	As above.
04xx		Video		
	01	Text Attribute Error	Physical problems with the video card.	Check whether there is any physical problem with the video card.
	02	Text Page Selection Error	As above.	As above.
	03	Text Color Error	As above.	As above.
	04	Text Mode Error	As above.	As above.
	05	VGA Mode Error	1) Physical problems with the video card. 2) Physical problems with the monitor.	1) Check whether there is any physical problem with the video card. 2) Check whether there is any physical problem with the monitor.
	06	Character Test Error	Physical problems with the video card.	Check whether there is any physical problem with the video card.
	07	DAC/Palette Address Test Error	As above.	As above.

	08	Color Purity Test Error	Physical problems with the video card or the monitor.	Check whether there is any physical problem with the video card or the monitor.
	09	VESA Mode 15bits Direct Color Test Error	As above.	As above.
	10	VESA Mode 16bits Direct Color Test Error	As above.	As above.
	11	VESA Mode 24bits Direct Color Test Error	As above.	As above.
	12	Get the PCX graphics map Error	Failure in getting PCX graphics map.	Check for the PCX graphics map.
	13	Bitblt Engine Test Error	Physical problems with the video card.	Check and see whether the video card has any physical problem.
	14	VESA Video Memory Test Error	As above.	As above.
	15	VESA VRAM Test Error	Physical problems with the video card or the monitor.	Check whether there is any physical problem with the video card or the monitor.
	16	AGP Test Error	AGP configuration register errors.	Check and see whether the AGP video card has any physical problem.
	17	LCD Panel Test Error	Lower LCD color resolution.	Replace the LCD.
	19	Register Test Error	Physical problems with the video card.	Check and see whether the video card has any physical problem.
	20	Adapter not support DDC	The video card doesn't support DDC.	
	21	Monitor not support DDC	The monitor doesn't support DDC.	
	21	8bits Text and Attribute Test Error	1) Physical problems with the video card. 2) Physical problems with the monitor.	1) Check and see whether the video card has any physical problem. 2) Check and see whether the monitor has any physical problem.
	26	8bits Video Mode Test Error	As above.	As above.
	27	15bits Video Mode Test Error	As above.	As above.
	28	16bits Video Mode Test Error	As above.	As above.
	29	24bits Video Mode Test Error	As above.	As above.

	30	32bits Video Mode Test Error	As above.	As above.
31xx		Audio		
	01	Audio Play Fail	Cannot play music.	Check the Audio connection, replace the external fixture, and repeat the test.
	02	Record Fail	Cannot record.	As above.
11xx		LPT		
	01	Data Register Error	The data register can not perform normally.	Check the external fixture and BIOS setup, and repeat the test.
	02	Control Register Error	The control register can not perform normally.	As above.
	03	Does not Support ECP Mode(Ver3.20)	LPT does not support ECP mode.	Check the BIOS setup, and repeat the test.
	04	FIFO Test Error	LPT cannot perform normally under FIFO TEST mode (ECP internal mode).	As above.
	05	IRQ Active Error	1.LPT IRQ cannot be activated. 2. The external fixture does not match with the chosen version.	Check the external fixture and BIOS setup, and repeat the test.
	06	No Fixture On The Port	No external fixtures on LPT port.	As above.
	09	CTR/STR Connection Error	1. There is OC (Open Circuit) or SC (Short Circuit) on the LPT port CTR/STR.2. The external fixture does not match with the chosen version.	Check the external fixture and the port pins, and repeat the test.
	10	DTR/STR Connection Error	As above.	As above.
	11	Toshiba Fixture Error	As above.	As above.
08xx		LAN Card		
	01	PCI bus Error during device ID test	Don't Scan PCI device	Don't support PCI BIOS
	02	PCI Ethernet card not present during device ID test	Don't find Net card	Please insert Net cad
	03	Intel PCI Ethernet card not present during MAC test	Don't found Net Card, This Card can't be Read MAC by this method	Please update net card or use other method
09xx		Keyboard		
	01	Keyboard Map & Stroke Test Fail	Keyboard Map & Stroke Test fails.	Check the KBD connection and repeat the test.
	03	Clock Line Test Fail	Clock Line Test fails.	As above.

	04	Data Line Test Fail	Data Line Test fails.	As above.
05xx		Mouse		
	01	Touch Pad Test Fail	Touch Pad Test Fail	Check the mouse connection and repeat the test.
14xx		IrDA Test		
	01	2400BPS Test Error	Failure with the infrared port or the configuration program is not executed.	Rerun the configuration program or check the infrared port.
	02	9600BPS Test Error	As above.	As above.
	03	19200BPS Test Error	As above.	As above.
	04	38400BPS Test Error	As above.	As above.
	05	57600BPS Test Error	As above.	As above.
	06	115200BPS Test Error	As above.	As above.
	07	0.576MBPS Test Error	As above.	As above.
	08	1.152MBPS Test Error	As above.	As above.
	09	4.000MBPS Test Error	As above.	As above.
	10	Connect time out	Failure with the infrared port or the configuration program is not executed.	Rerun the configuration program or check the infrared port. Check the master.
30xx		MemoryCard		
	08	Check PCI Device Fail	No Memory Card is inserted or the Memory Card is damaged.	Replace the Memory Card and repeat the test.
	09	Start Flash Media Tests Fail	As above.	As above.
	10	Verifying Firmware loaded Fail	As above.	As above.
	11	MMC or SD Media Card Present Fail	As above.	As above.
28xx		1394		
	01		Can not find IEEE1394	Don't support 1394.

			controller	
20xx		IDE-HDD		
	01	Get Parameter Fail !	Wrong test parameters are input by user.	Reinput the correct parameters.
	02	Write Pattern Error	HD is damaged.	Send the HD for repair.
	03	Data Compare Error	HD is damaged.	As above.
	04	Read Verify Error	HD is damaged.	As above.
	05	Seek Error	HD is damaged.	As above.
	06	Disk Controller Self Test Failed	The HD controller is damaged.	As above.
	07	Disk Controller Test unexpected interrupt Failed	The HD controller is damaged.	As above.
	09	Disk Controller action Test Failed	The HD controller is damaged.	As above.
	10	Disk dos not support SMART	Disk dos not support SMART	Change HD which supported SMART and test again
	11	Disk read attribute threshold error	Disk read attribute threshold error	Send the HD for repair.
	12	Disk read attribute value error	Disk read attribute value error	As above.
	13	Disk SMART attribute value error	Disk SMART attribute value error	As above.
21xx		ODD		
	01	No Disk in CDROM	No disk is found in the CD-ROM.	Insert a disk into the CD-ROM.
	02	The Disk in CDROM is not Data Disk	The disk in the CD-ROM is not Data Disk.	Insert a DATA CD.
	03	IDE-CD Controller Error	Functional errors with the CD-ROM.	Send the CD-ROM for repair.
	04	CD Read Error	Either the disk or the CD-ROM is damaged.	Replace the disk or send the CD-ROM for repair.
	07	CD Seek Error	Either the disk or the CD-ROM is damaged.	Replace the disk or send the CD-ROM for repair.
	09	Eject Error	Wrong CD-ROM drive.	Exit from the wrong drive.

3.12 Quick Test Item List

Device	Test Items	Comment
CPU	Basic Functionality	
	NPU Basic Functions	
	CPU Information	
Memory	BIOS ROM	
	Cache Memory	
	Bit Stuck High Test	10% or 3 minutes
	Bit Stuck Low Test	10% or 3 minutes
	Address Test	
Board	Interval Timer	
	Clock / Calendar	
	ACPI Test	
FAN	FAN Speed	
Video	1024X768 Video Modes Test: VESA 1024x768x64K Mode VESA 1024x768x32bit Mode	
	VESA Video Memory	10% or 3 minutes
	Color Purity Test	
	Direct Color Test	
	LCD Panel	
HDD	Sequential/Random R/W	25% or 3 minutes
	SMART Check	
LAN Card	Device ID Detection	
	Vendor ID Detection	
	Mac Address Detection	

Chapter 4

Replacement Procedures

Chapter 4 Contents

4.1	General.....	4-1
	Safety Precautions.....	4-2
	Before You Begin	4-4
	Disassembly Procedures.....	4-5
	Assembly Procedures.....	4-5
	Tools and Equipment.....	4-6
	Screw Tightening Torque.....	4-6
	Colors of Screw Shanks.....	4-7
	Symbols of Screws on the Computer Body.....	4-7
	Symbol examples	4-7
	Removing the Battery Pack	4-8
	Installing the Battery Pack	4-9
	Removing the PCI Expresss Card.....	4-10
	Installing the PCI Expresss Card.....	4-11
	Removing the Optional PC Card	4-12
	Installing the Optional PC Card	4-13
	Removing the Momery Card	4-14
	Installing the Momery Card	4-15
	Removing the Optional Memory.....	4-16
	Installing the Optional Memory.....	4-18
	Removing the MDC Card	4-19
	Installing the MDC Card	4-21
4.2	Wireless LAN Card.....	4-22
	Removing the Wireless LAN Card	4-22
	Installing the Wireless LAN Card	4-23
4.3	HDD	4-24
	Removing the HDD.....	4-24

4 Replacement Procedures

	Installing the HDD.....	4-26
4.4	Cooling Module	4-27
	Removing the CPU Cooling Module	4-27
	Installing the CPU Cooling Module	4-29
4.5	CPU.....	4-30
	Removing the CPU	4-30
	Installing the CPU	4-31
4.6	Speaker Cover and Keyboard	4-33
	Removing the Speaker Cover and Keyboard.....	4-33
	Installing the Speaker Cover and Keyboard.....	4-34
4.7	Bluetooth Card (for Bluetooth Model Only).....	4-35
	Removing the Bluetooth Card.....	4-35
	Installing the Bluetooth Card.....	4-36
4.8	ODD Bay Module	4-37
	Removing the ODD Bay Module.....	4-37
	Installing the ODD Bay Module.....	4-38
	Disassembling the ODD Bay Module.....	4-39
	Assembling the ODD Bay Module.....	4-39
4.9	Display Assembly.....	4-40
	Removing the Display Assembly	4-40
	Installing the Display Assembly	4-41
4.10	Top Cover.....	4-42
	Removing the Top Cover	4-42
	Installing the Top Cover	4-44
4.11	System Board, Speaker and MIC, AC IN, RJ11/45, MDC cable.....	4-45
	Removing the System Board, Speaker and MIC, AC IN, RJ11/45, MDC cable....	4-45
	Installing the System Board, Speaker and MIC, AC IN, RJ11/45, MDC cable....	4-47
4.12	VGA Card (for VGA Card Model Only).....	4-48
	Removing the VGA Card.....	4-48
	Installing the VGA Card	4-49

4.13	North Bridge Cooling Module and MDC cable.....	4-50
	Removing the North Bridge Cooling Module and MDC cable	4-50
	Installing the North Bridge Cooling Module and MDC cable	4-51
4.14	Display Mask.....	4-52
	Removing the Display Mask	4-52
	Installing the Display Mask	4-53
4.15	FL Inverter Board.....	4-54
	Removing the FL Inverter Board	4-54
	Installing the FL Inverter Board	4-55
4.16	LCD Modules.....	4-56
	Removing the 15.4-inch LCD module	4-56
	Installing the 15.4-inch LCD Module	4-58
4.17	I/O Board.....	4-59
	Removing the I/O Board	4-59
	Installing the I/O Board	4-59
4.18	Switch Cover and Switch Board.....	4-60
	Removing the Switch Cover and Switch Board	4-60
	Installing the Switch Cover and Switch Board	4-61
4.19	Touch Pad and Touch Pad Board	4-62
	Removing the Touch Pad and Touch Pad Board	4-62
	Installing the Touch Pad and Touch Pad Board	4-63

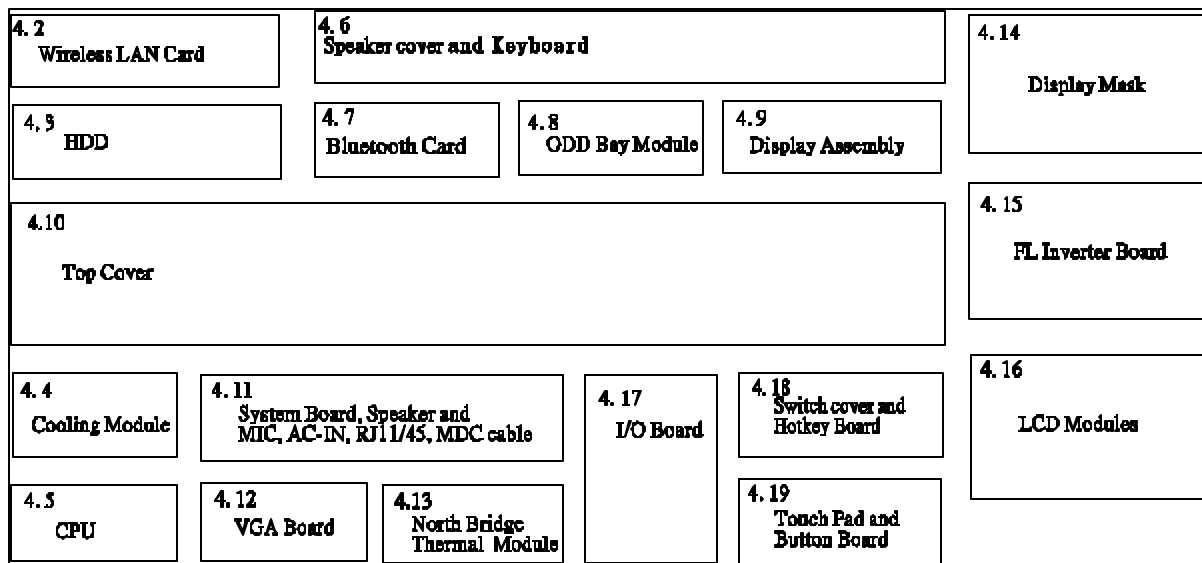
Figures

Figure 4-1 Removing the battery pack	4-8
Figure 4-2 Removing the battery pack	4-9
Figure 4-3 Removing the PCI Express card	4-10
Figure 4-4 Removing the PC card	4-12
Figure 4-5 Removing the memory card	4-14
Figure 4-6 Removing the optional memory cover	4-16
Figure 4-7 Removing the optional memory.....	4-17
Figure 4-8 Removing the wireless LAN card cover.....	4-19
Figure 4-9 Removing the MDC card	4-20
Figure 4-10 Removing the wireless LAN card cover.....	4-22
Figure 4-11 Removing the wireless LAN card	4-23
Figure 4-12 Removing the HDD pack cover.....	4-24
Figure 4-13 Removing the HDD pack	4-25
Figure 4-14 Removing the HDD chassis	4-25
Figure 4-15 Removing the CPU cover.....	4-27
Figure 4-16 Removing the Cooling module.....	4-28
Figure 4-17 Applying silicon greases.....	4-28
Figure 4-18 Removing the CPU	4-30
Figure 4-19 Installing the CPU	4-31
Figure 4-20 Fix the CPU.....	4-32
Figure 4-21 Removing the speaker cover.....	4-33
Figure 4-22 Removing the keyboard.....	4-34
Figure 4-23 Removing the Bluetooth card.....	4-35
Figure 4-24 Removing the ODD bay module	4-37
Figure 4-25 Removing the ODD bay module	4-38
Figure 4-26 Removing the bracket from ODD drive.....	4-39
Figure 4-27 Removing the screws from the back of the computer.....	4-40
Figure 4-28 Removing the display assembly.....	4-41

Figure 4-29 Removing the screws from the bottom of the computer.....	4-42
Figure 4-30 Removing the top cover.....	4-43
Figure 4-31 Removing the system board.....	4-45
Figure 4-32 Removing the RJ11/45, AC-IN, MDC cable	4-46
Figure 4-33 Removing the L and R speaker box.....	4-46
Figure 4-34 REMoving the VGA board	4-48
Figure 4-35 Removing the north bridge thermal module.....	4-50
Figure 4-36 Removing the display mask.....	4-52
Figure 4-37 Removing the FL inverter board	4-54
Figure 4-38 Disconnecting the cable	4-55
Figure 4-39 Removing the 15.4-inch LCD module and screws.....	4-56
Figure 4-40 Removing the 15.4-inch LCD module	4-57
Figure 4-41 Removing the I/O board.....	4-59
Figure 4-42 Removing the switch cover	4-60
Figure 4-43 Removing the switch board.....	4-61
Figure 4-44 Removing the touch pad and button board	4-62

4.1 General

This chapter explains how to disassemble the computer and replace Field Replaceable Units (FRUs). Some replacement procedures may not require you to remove all the surrounding FRUs to replace only one FRU. The chart below shows the FRUs in the order in which they should be removed in a top-down manner, irrespective of their physical locations. The FRUs shown in the top area of the chart should normally be removed before removing the FRUs shown in the bottom area. To replace the FRUs, first identify the suspect FRU for the system failure. Next, according to this chart, determine the FRUs that need to be removed before removing the suspect FRU. After you determined those FRUs, go to the appropriate sections according to the section numbers shown in the boxes. Then start removal and replacement



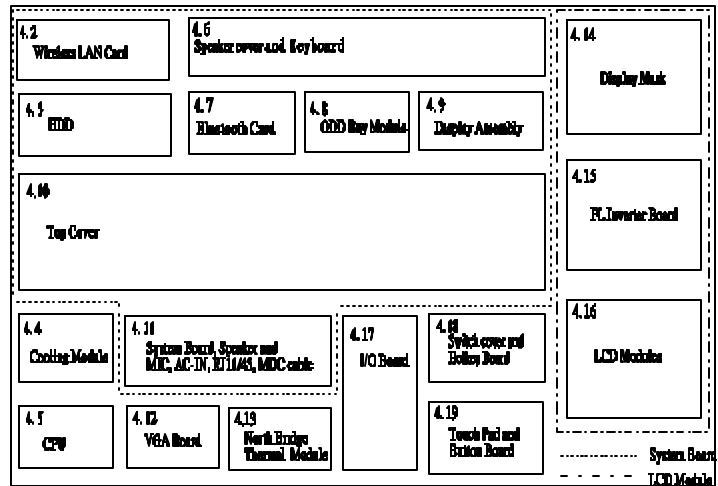
How to use the chart (two examples):

? For removing the System Board

First, remove the top cover with the display assembly. Then, remove the HDD, selectable bay module, Bluetooth card, keyboard, and wireless LAN card, all of which are shown above the top cover with the display assembly.

? For removing the LCD Module

First, remove the display mask and FL inverter board, both of which are shown above the LCD module.



Safety Precautions

Before you begin disassembling, read the following safety precautions carefully. Be sure to follow them while you are working.

DANGER:

1. *Always use the genuine batteries or replacement batteries authorized by Toshiba. Batteries other than those differ in specifications and are incompatible with the computer. They may burst or explode. Never heat or disassemble the battery packs to avoid leakage of alkaline solutions. Never throw the battery packs into a fire. If this is violated, they will explode.*
2. *The components such as the power supply and FL inverter carry high voltages. When you partially disassemble the computer and turn on the components, use extreme care not to touch the connectors and components to avoid the risk of electrical shock. Do not disassemble individual components during first-level maintenance.*

WARNING:

1. *To avoid the risk of electrical shock, turn the computer off and remove the AC adapter from the electrical outlet.*
2. *Because the battery in the computer is left charged, the risk of electrical shock remains even after the AC adapter is removed from the electrical outlet. To avoid the risk of electrical shock, be sure to put off any metal jewelry or accessories such as necklaces, bracelets, and rings before starting work. Never work with your hands wet or damped.*
3. *To avoid personal injury, use care to the sharp edges or corners of the components.*

CAUTION:

1. *Before replacing a component, make sure that the replacement component meets the required specifications. To avoid computer failures, never use components that do not meet the specifications.*
2. *To avoid internal damage such as short circuits and fire, never drop metal objects such as screws, pins, paper clips, etc. into the components. When a screw is removed, be sure to replace a screw that is the same size as the original screw. Make sure that all the screws are fastened securely. Loose screws can cause short circuits, overheating, smoke, or fire.*
3. *Before raising an FRU or other component, make sure that all the component cables have been disconnected to avoid the risk of electrical shock caused by accidental contact with the energized components.*
4. *For AC input, be sure to use the AC adapter and AC power cable that come with your computer or Toshiba-recommended equivalents.*
5. *To avoid the risk of electrical shock, make sure that all the replacement components meet the specifications of the computer and that all the cables and connectors are fastened securely.*
6. *Inside the PC are components that become hot during operation (such as the CPU and cooling module). To avoid burns, let the hot components cool down before starting inspection or repair task.*

Before You Begin

Before you begin disassembling the computer, keep in mind the precautions and advice in this section. Always begin disassembling from removing the AC adapter and battery pack. Remove the optional parts and accessories as well. The procedures for removing the batteries will be explained later.

Disassemble the computer only when an abnormality has occurred.

Use only the recommended tools.

To run and store the computer, be sure to prepare a working environment that is free from:

- ✍ Dust and contaminants
- ✍ Static electricity
- ✍ Extremely high or low temperatures and extremely high humidity

Run the diagnostic tests explained in Chapter 2 of this manual to identify the FRU that has probably caused the system failure.

Perform only the required machine operations. Use only the disassembly and reinstallation procedures described in this manual.

Place the removed components in a safe place away from the computer so that they may not be damaged or get in the way of you doing your work.

Normally, a number of screws need to be removed or replaced during disassembling. Place the removed screws in a safe place so that you can easily find the right screws for the right components.

When assembling the computer, use the specified screws to fasten the parts to the specified locations. See the appropriate explanations and figures for screw sizes.

To avoid personal injury, use care to handle components that have sharp edges or corners.

After you have replaced an FRU, check that the FRU works correctly to ensure normal computer operation.

Disassembly Procedures

The cable connectors come in these two basic types:

- ✍ Pressure plate connectors
- ✍ Normal pin connectors

To remove a pressure plate connector, pull up the tabs on either side of the connector's plastic pressure plate and gently pull the cable out of the connector. To reconnect the cable to the pressure plate's connector, raise the pressure plate up to a satisfactory height and slide the cable into the connector. Fix the cable to the correct position by pressing down the sides of the pressure plate so that the plate can be flush with the sides of the connector. Grasp and pull the cable gently to check that the cable is connected firmly. If the cable came off the connector, reinsert the cable by raising the pressure plate up to a satisfactory height.

Normal pin connectors are used for all the other types of cables. These connectors can be installed or removed by simply inserting them or pulling them out.

Assembly Procedures

You have to reassemble the computer after you disassembled the computer and fixed the component that caused the problem.

When reassembling the computer, keep the following general guidelines in mind:

- ✍ Take your time to carry out the suggested instructions completely. Hurried reassembling can often cause problems.
- ✍ Check that all the cable and connectors are fastened securely.
- ✍ Before fixing the FRUs or other parts, check that the cables are not caught by the screws or FRUs.
- ✍ Check that all the latches are closed securely.
- ✍ Check that all the required screws are used to fix the FRUs. Using wrong screws can damage the threads or heads of the screws or does not ensure firm FRU fixing.

After installing an FRU, make sure that the FRU and computer can work normally.

Tools and Equipment

For the safety of you and other people in the working environment, it is strongly recommended to use electrostatic discharge (ESD) equipment. The proper use of this equipment will ensure successful repair work and reduce the costs for fixing damaged components. The equipment and tools required for disassembling and reassembling are:

- ✍ One 2 mm Phillips screwdriver
- ✍ One 4 mm flat-blade screwdriver
- ✍ Torx screwdriver
- ✍ Tweezers (for pulling out screws)
- ✍ ESD mats (for the floor and work desks)
- ✍ An ESD wrist strap or heel grounder
- ✍ Anti-static carpets or flooring
- ✍ Air ionizers (for highly electrostatic sensitive areas)
- ✍ A plastic card (in credit card size)

Screw Tightening Torque

To fasten screws, follow the torque values listed below. Over tightening can damage components and screws. Under tightening can loosen the fastening or make screws come off, which may result in short circuits or other damage.

- | | |
|---------------------------|------------------------|
| ✍ M2 (2 mm) | 0.22 N·m (2.2 kgf·cm) |
| ✍ M2.5 (2.5 mm) | 0.36 N·m (3.5 kgf·cm) |
| ✍ M3 (3 mm) | 0.51 N·m (5.0 kgf·cm) |
| ✍ M2.5x4 PSP TITE screws | 0.204 N·m (2.0 kgf·cm) |
| ✍ M2.5x6 GIZA TITE screws | 0.36 N·m (3.5 kgf·cm) |

Colors of Screw Shanks

For easy identification of the correct screws, the screw shanks are colored according to their lengths, as follows:

- ✍ Screws of an even-numbered length Brown
 - ✍ Screws of an odd-numbered length White
 - ✍ Screws of a special length Black
- Screws of a special length are those of a length having decimal places, such as 2.5 mm and 2.6 mm.

Symbols of Screws on the Computer Body

For easy maintenance, the screw types are shown on the computer body as symbols. A symbol consists of a letter representing the screw type and a numeral representing the screw length.

- ✍ Screw type Letter
- ✍ Bind screw B (stands for bind)
- ✍ Flat-head screw F (stands for flat-head)
- ✍ Super flat-head screw S (stands for super flat-head)
- ✍ Tapping screw T (stands for tapping)
- ✍ Other screws U (stands for unique-pan head screws, studs, etc.)

Symbol examples

- ✍ 6 mm bind screw B6
 - ✍ 12 mm bind screw B12
 - ✍ 5 mm stud U5
- (The numeral represents the rounded length of the threaded portion irrespective of the entire stud length.)

Removing the Battery Pack

Remove the battery pack according to the following procedures and Figures 4-1, 4-2.

CAUTION: When handling the battery packs, use care not to short circuit the terminals. Do not drop, hit, twist, or bend the battery packs. Do not scratch or break up their casing.

1. Turn the computer upside down so that its back can face you.
2. Slide out the battery lock.
3. Slide the battery release latch and remove the battery pack from the computer.

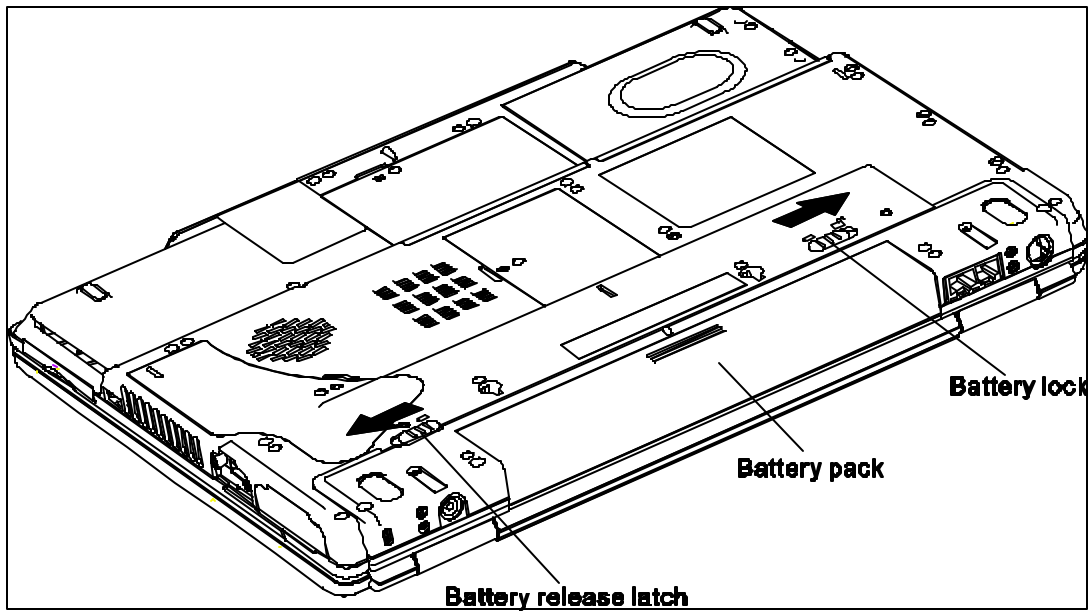


Figure 4-1 Removing the battery pack

NOTE: Dispose of the used battery packs as required by local ordinances or regulations.

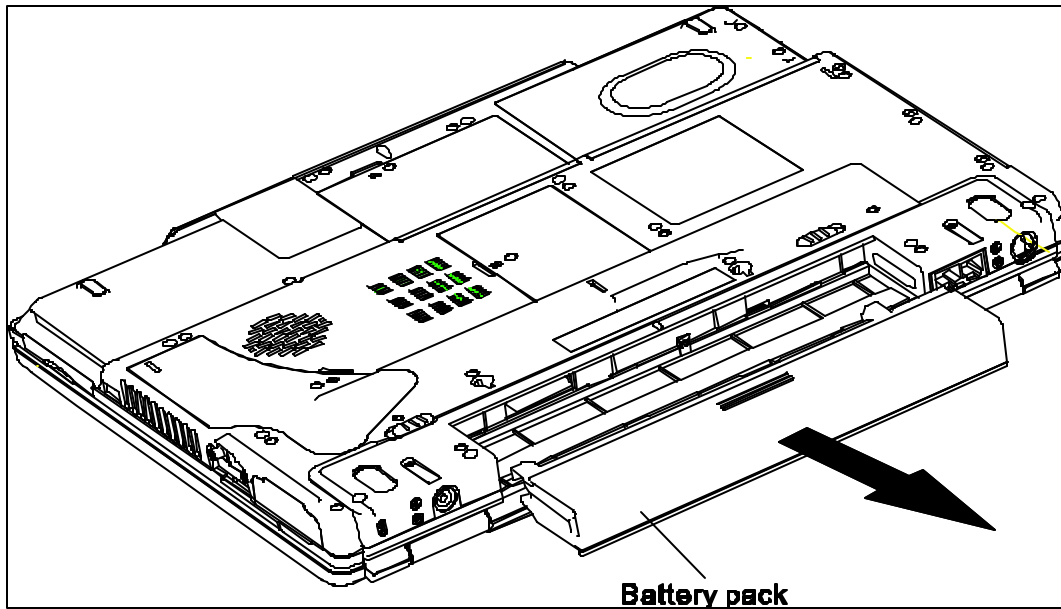


Figure 4-2 Removing the battery pack

Installing the Battery Pack

Install the battery pack according to the following procedures and Figures 4-1, 4-2.

CAUTION: The battery packs contain a lithium ion battery, which can explode by improper replacement, use, handling, or disposal. Always dispose of the battery packs as required by local ordinances or regulations. Use only replacement batteries recommended by Toshiba.

NOTE: Visually check the battery's terminals. If they are dirty, clean them with a dry cloth.

1. Gently insert a new or recharged battery pack into place. Check that the battery release latch slides in and stops with a click.
2. Slide in the battery lock.

Removing the PCI Express Card

Remove the PCI express card according to the following procedures and Figure 4-3, after checking that computer is turned off in boot mode.

1. Push the PCI express card to be removed until it stops and release PCI express card.
2. When the PCI express card popped out, grasp it and pull it out.

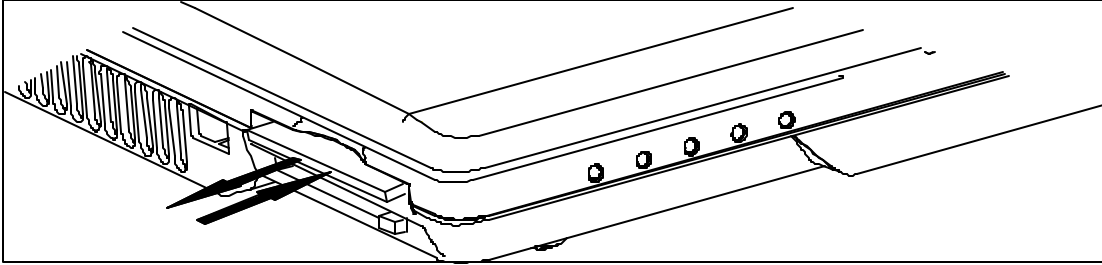


Figure 4-3 Removing the PCI express card

Installing the PCI Express Card

Install the optional PCI express card according to the following procedures and Figure 4-3, after checking that the computer is turned off in boot mode.

1. Insert the PCI express card gently until it stops and is seated securely.
2. After checking that the PCI express card is seated securely.

After the PCI express card is installed, check the hardware configuration in the Hardware Setup or TSETUP program to make sure that the PC card is compatible with the current hardware configuration.

Removing the Optional PC Card

Remove the optional PC card according to the following procedures and Figure 4-4, after checking that computer is turned off in boot mode.

CAUTION: Install or remove the PC card correctly, according the manuals of the PC card and the operating system you are using.

1. Push the eject button for the PC card to be removed until it stops and release the button.
2. When the eject button popped out slightly, push it again.
3. When the PC card popped out, grasp it and pull it out.

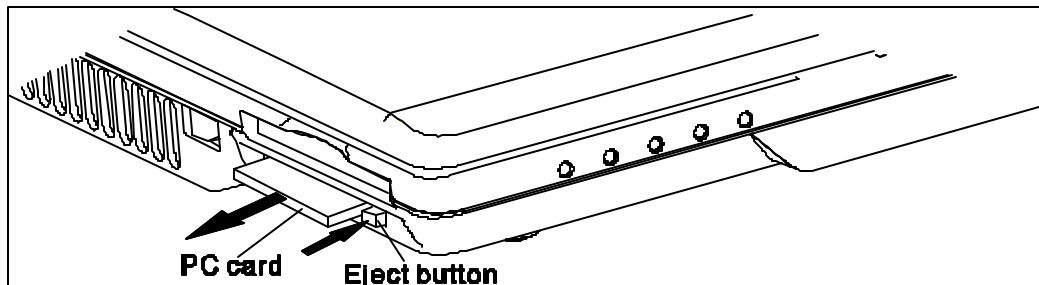


Figure 4-4 Removing the PC card

Installing the Optional PC Card

Install the optional PC card according to the following procedures and Figure 4-4, after checking that the computer is turned off in boot mode.

1. Insert the PC card gently until it stops and is seated securely.
2. After checking that the PC card is seated securely, push the PC card release lever slightly.

After the PC card is installed, check the hardware configuration in the Hardware Setup or TSETUP program to make sure that the PC card is compatible with the current hardware configuration.

Removing the Memory Card

Remove the memory card according to the following procedures and Figure 4-5, after checking that computer is turned off in boot mode.

1. Open the card cover.
2. Push the memory card to be removed until it stops and release the memory card.
3. When the memory card popped out, grasp it and pull it out.

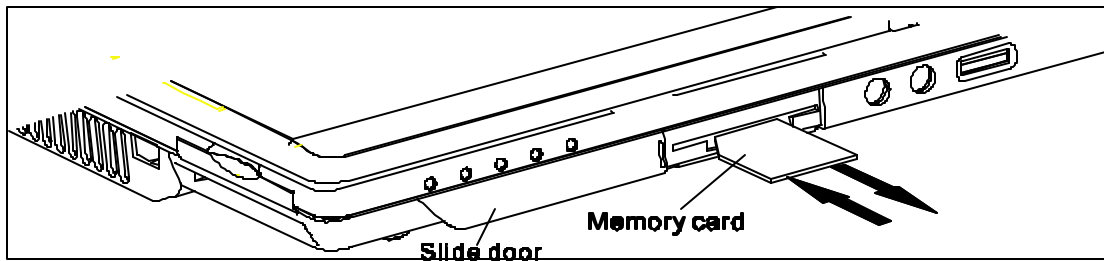


Figure 4-5 Removing the memory card

Installing the Memory Card

Install the memory card according to the following procedures and Figure 4-5, after checking that the computer is turned off in boot mode.

1. Insert the memory card gently until it stops and is seated securely.
2. After checking that the memory card is seated securely.

After the PC card is installed, check the hardware configuration in the Hardware Setup or TSETUP program to make sure that the PC card is compatible with the current hardware configuration.

Removing the Optional Memory

Remove the optional memory (module) according to the following procedures and Figures 4-6 and 4-7, after checking that the computer is turned off in boot mode.

CAUTION: Remove the optional memory after turning off the computer. If this is violated, the computer or memory can be damaged.

1. Turn the computer upside down.
2. Release one optional memory cover securing screw.
3. Remove the memory cover.

CAUTION: Do not touch the connectors on the memory modules or in the computer. Contaminated connectors can cause memory access problems.

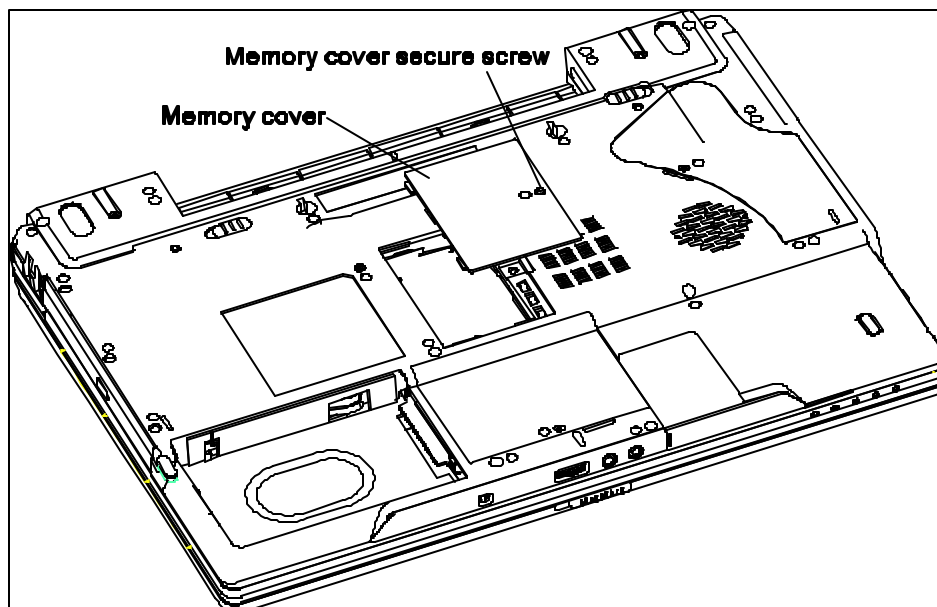


Figure 4-6 Removing the optional memory cover

4. Spread out the two memories lock stoppers so that the memory module can be raised.
5. Pull the memory module up and out at an angle, using care to the connectors.

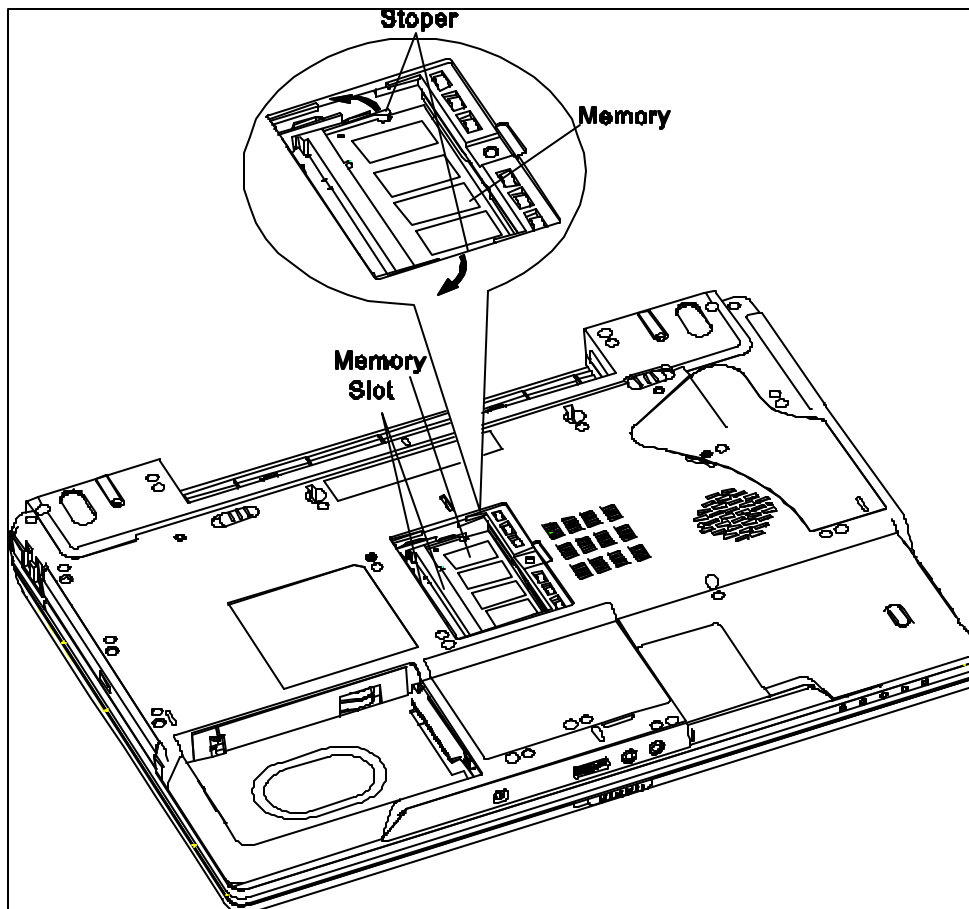


Figure 4-7 Removing the optional memory

Installing the Optional Memory

Install the optional memory (module) according to the following procedures and Figures 4-6 and 4-7, after checking that the computer is turned off in boot mode.

CAUTION: *Install the optional memory after turning off the computer. If this is violated, the computer or memory can be damaged.*

1. Insert the memory module into the connector at an angle of 45 degrees.
2. Tilt the memory module so that it can be fixed with both memory lock stoppers.
3. Reinstall the optional memory cover.
4. Secure the optional memory cover with the optional memory cover securing screw.

After the computer is turned on, check the hardware configuration in the Hardware Setup or TSETUP program to make sure that the installed memory module has been recognized by the system. If it has not been recognized yet, check the connections.

CAUTION: *To prevent system malfunctions, always use Slot A first to insert the memory modules.*

Removing the MDC Card

Remove the MDC Card (Modem Daughter Card) according to the following procedures and Figures 4-8 and 4-9, after checking that the computer is turned off in boot mode.

CAUTION: Remove the MDC card after turning off the computer. If this is violated, the computer or MDC card can be damaged.

1. Turn the computer upside down.
2. Release the wireless LAN card cover securing screw.
3. Remove the wireless LAN card cover.

CAUTION: Do not touch the connectors on the MDC card or in the computer. Contaminated connectors can cause MDC card failures.

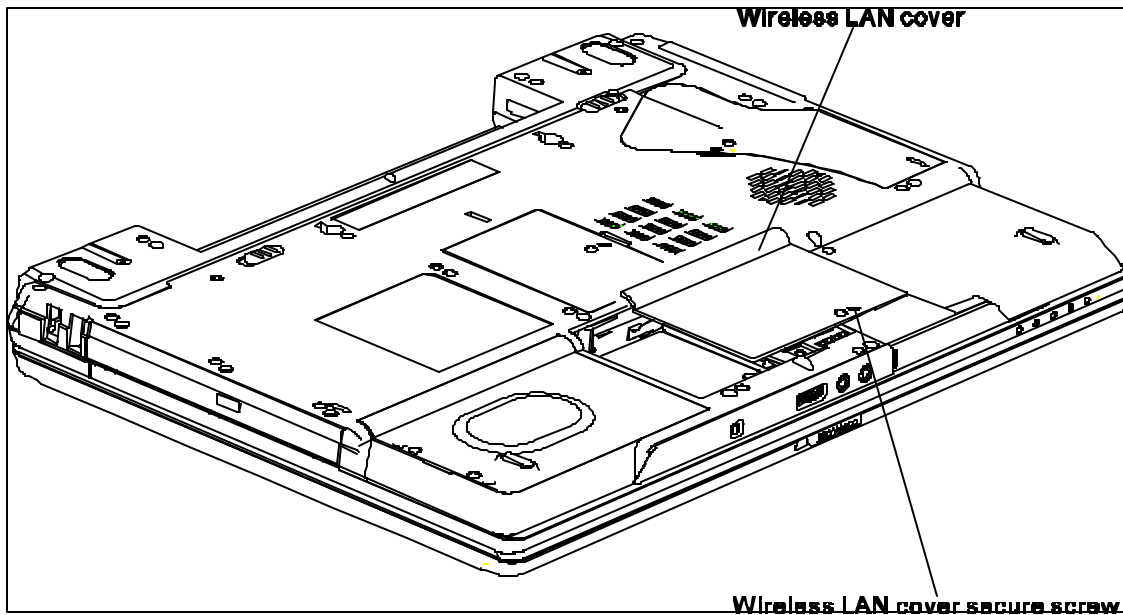


Figure 4-8 Removing the wireless LAN card cover

4. Remove the two M2x3 white blind screws for securing the MDC card.
5. Raise the MDC card and disconnect it from CN517 on the system board.
6. Disconnect the MDC cable from the connector JP1 on the MDC card.

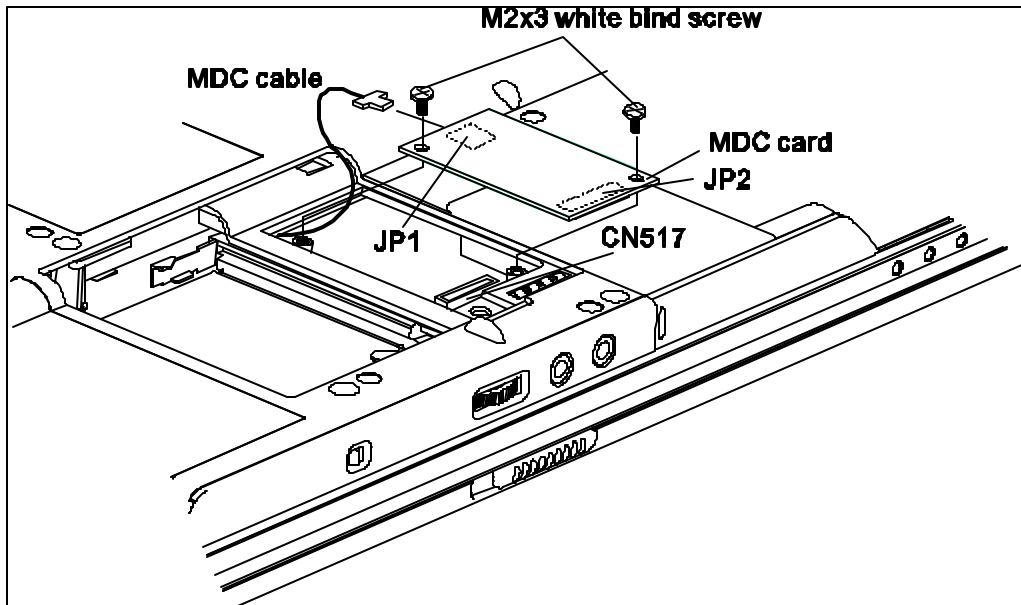


Figure 4-9 Removing the MDC card

Installing the MDC Card

Install the MDC card according to the following procedures and Figures 4-8 and 4-9, after checking that the computer is turned off in boot mode.

CAUTION: *Install the MDC card after turning off the computer. If this is violated, the computer or MDC card can be damaged.*

CAUTION: *Do not touch the connectors on the MDC card or in the computer. Contaminated connectors can cause MDC card failures.*

1. Connect the MDC cable to the connector JP1 on the MDC card.
2. Connect the MDC card to CN517 on the system board.
3. Secure the MDC card with the two M2x3 white bind screws.
4. Install the wireless LAN card cover.
5. Secure the wireless LAN card cover by wireless LAN card cover securing screw.

After the computer is turned on, check the hardware configuration in the Hardware Setup or TSETUP program to make sure that the installed MDC card has been recognized by the system. If it has not been recognized yet, check the connections.

4.2 Wireless LAN Card

Removing the Wireless LAN Card

Remove the wireless LAN card according to the following procedures and Figures 4-10 and 4-11.

CAUTION: Do not touch the connectors on the wireless LAN card and in the computer with bare hands. Wireless LAN cards can fail if they are contaminated with sweat, natural oils, etc. from your hands.

1. Turn the computer upside down.
2. Release the wireless LAN cover securing screw.
3. Remove the wireless LAN cover.
4. Disconnect the two antenna cables with the tweezers.
5. Spread out both the left and right stoppers for fixing the wireless LAN card until the card can be raised.
6. Pull the wireless LAN card up and out at an angle.

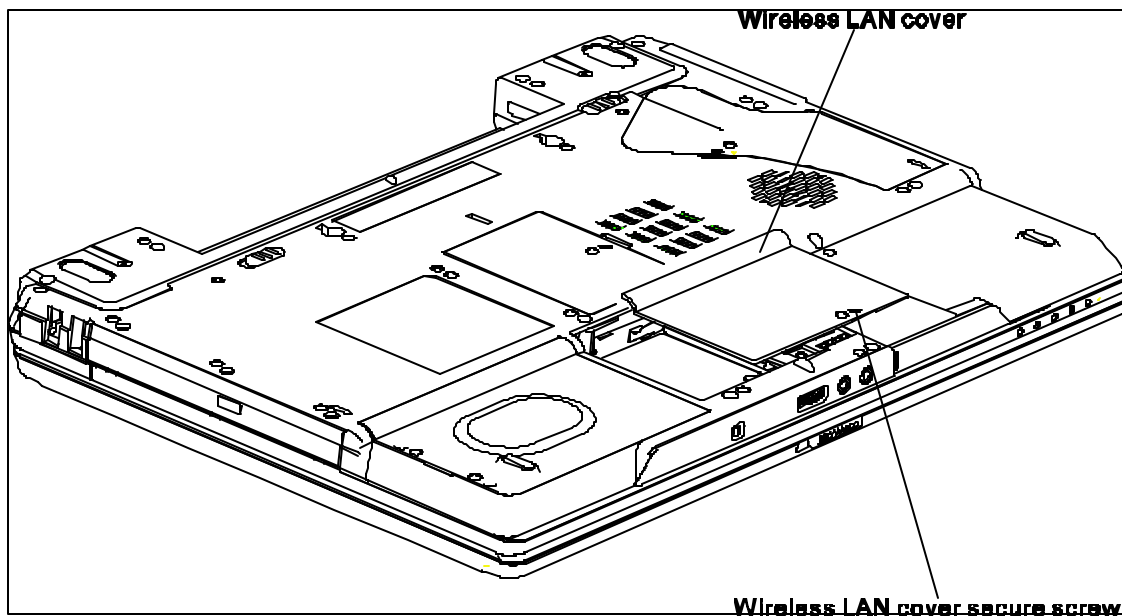


Figure 4-10 Removing the wireless LAN card cover

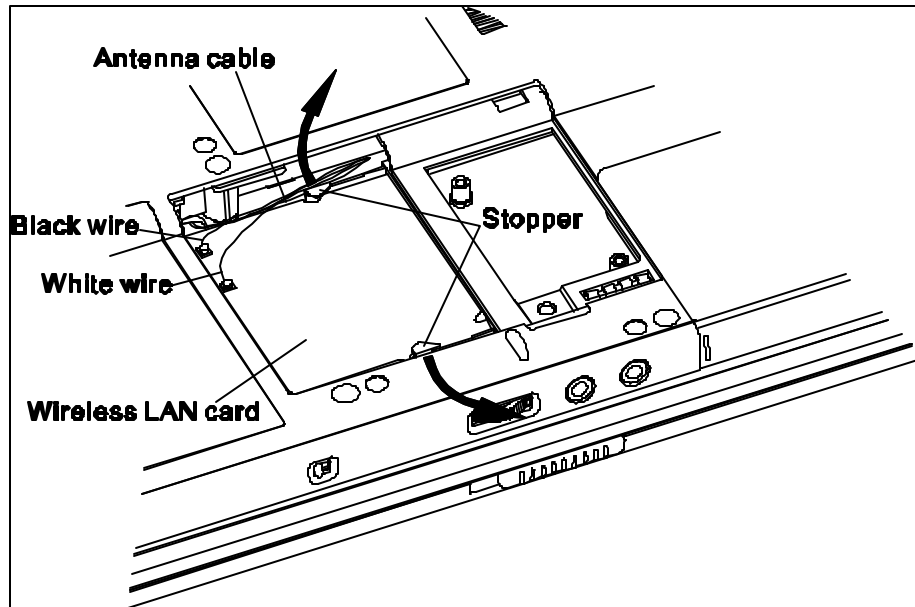


Figure 4-11 Removing the wireless LAN card

Installing the Wireless LAN Card

Install the wireless LAN card according to the following procedures and Figures 4-10, 4-11.

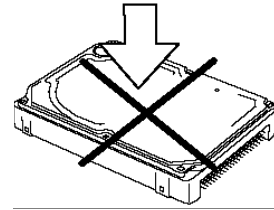
1. Insert the wireless LAN card into the connector at angle of 45 degrees.
2. Tilt the wireless LAN card and fix it with the left and right stoppers.
3. Connect the two antenna cables with the tweezers.
4. Install the wireless LAN cover.
5. Securing the wireless LAN cover by LAN cover securing screw.

CAUTION: Do not touch the connectors on the wireless LAN card and in the computer with bare hands. Wireless LAN cards can fail if they are contaminated with sweat, natural oils, etc. from your hands.

4.3 HDD

Removing the HDD

CAUTION: Do not press the top or bottom of the drive. Applying such pressure can corrupt the data in the drive or damage the drive.



Remove the HDD (hard disk drive) according to the following procedures and Figures 4-12, 4-13 and 4-14.

1. Remove two M2.5x5 black flat-head screws for fixing the HDD cover.
2. Remove the HDD cover.
3. Remove the HDD pack follow the direction of the arrows.

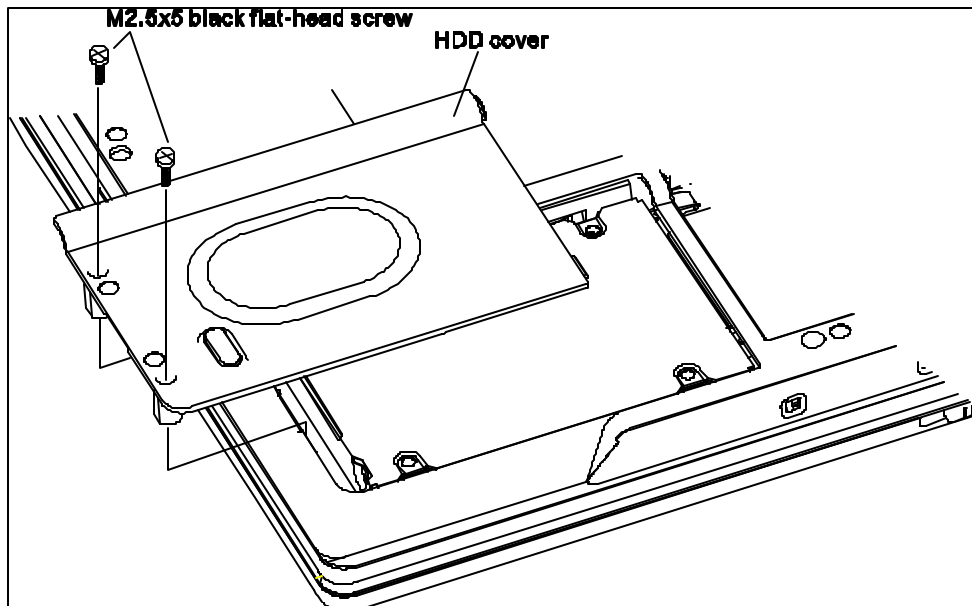


Figure 4-12 Removing the HDD pack cover

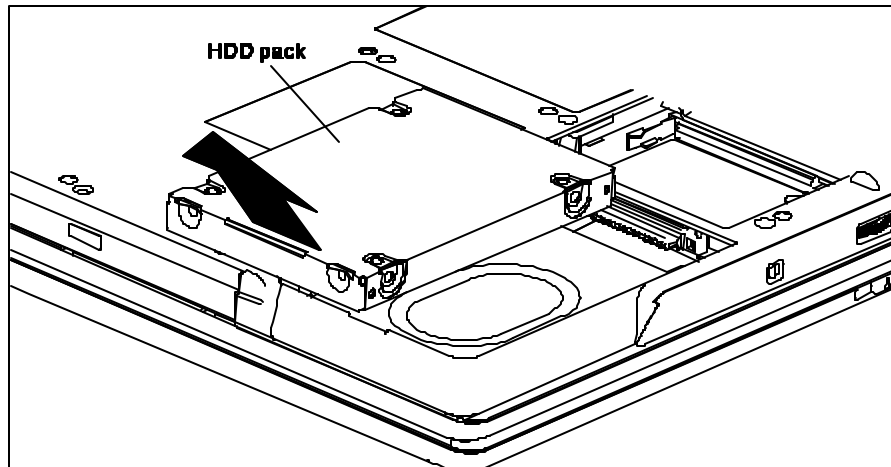


Figure 4-13 Removing the HDD pack

4. Remove the HDD pack by pulling the HDD tap attached to the HDD pack.

NOTE: Do not disassemble the HDD pack when it is working normally. Disassemble or replace the HDD pack only if it failed.

5. Place the HDD pack on a flat surface (such as a desk), and remove the two M3x4 black flat-head screws with M3x4 white head screws.
6. Remove the HDD chassis.
7. Remove the HDD connector.

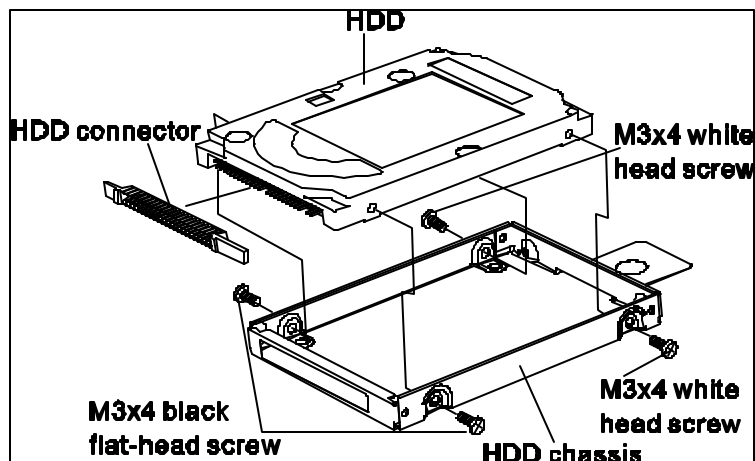


Figure 4-14 Removing the HDD chassis

CAUTION: Do not apply pressure to the top or bottom of the drive.

Installing the HDD

Install the HDD according to the following procedures and Figures 4-12, 4-13 and 4-14.

CAUTION: To avoid damage, always hold the HDD only by its sides.

1. Attach the HDD chassis and connector to the HDD pack.
2. Secure the HDD and its chassis with the two M3x4 black flat-head screws with M3x4 white head screws.

CAUTION: When installing the HDD pack into the computer, do not press the center of the HDD pack to prevent the HDD bracket from being distorted. Always hold the HDD pack by its sides.

3. Install the HDD pack into the correct position in the computer. Connect the HDD pack to the computer, holding the HDD pack by its sides.
4. Insert the HDD pack.
5. Secure the HDD cover with two M2.5x5 black flat-head screws.

4.4 Cooling Module

CAUTION: When removing the cooling module, keep the following in mind:
The cooling module can become very hot during operation. Be sure to let it cool down before starting the repair work.
Do not touch or give shock to the fan in the cooling module.

NOTE: The screws for Steps 2 and 3 cannot be removed, only loosened.

Removing the Cooling Module

Remove the cooling module according to the following procedures and Figures 4-15, 4-16.

1. Turn the computer upside down.
2. Release the CPU cover securing screw.
3. Remove the CPU cover.
4. Release the three screws on the cooling module using the numbered order shown to the screw.
5. Remove the cooling module.

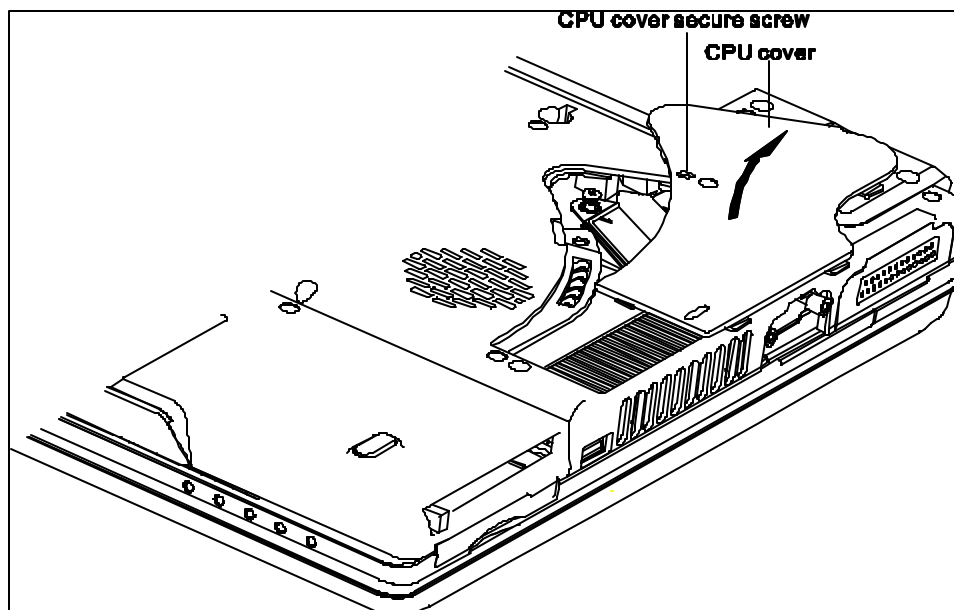


Figure 4-15 Removing the CPU cover

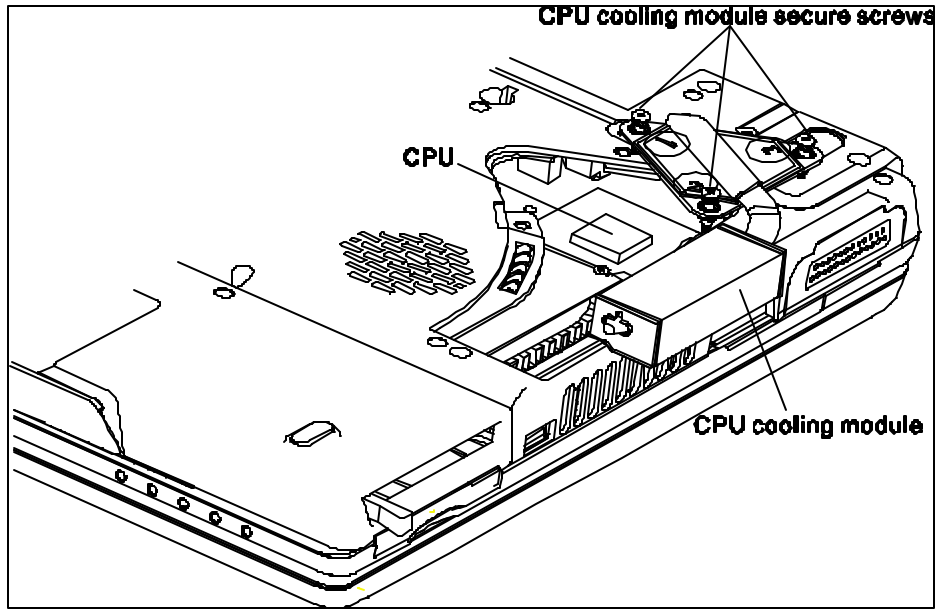


Figure 4-16 Removing the cooling module

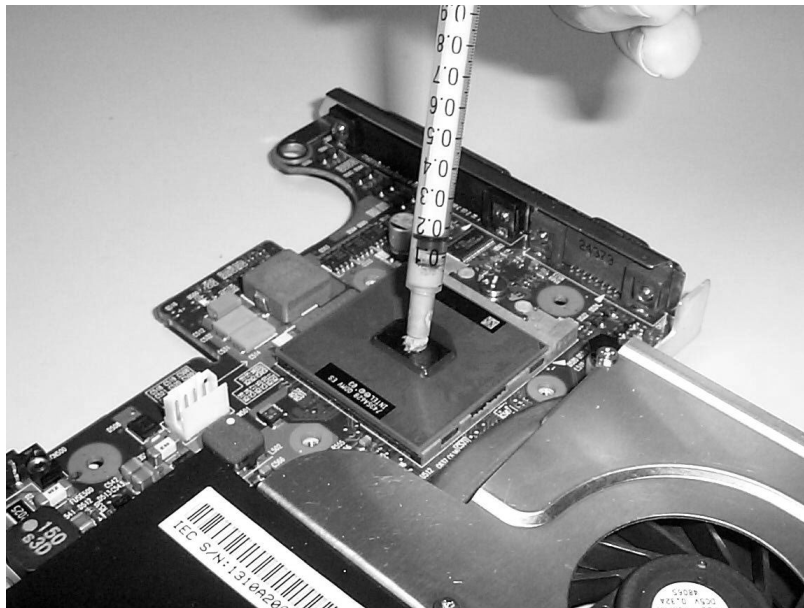


Figure 4-17 Applying silicon greases

Install Cooling Module

Install the cooling Module according to the following procedures and Figures 4-15, 4-16 and 4-17.

CAUTION: When installing the cooling module, keep the following in mind:

1. Be sure to confirm the correct position for the module.
2. Route the cooling module cable between the module and MDC card.
3. Please according to the number sequence sealed on heat sink module and secures the relevant screws on the main board.

NOTE: Apply silicon greases with a special syringe to cover the surface of the CPU chip completely.

1. If silicon greases are already applied to the CPU and fan module, wipe them off with a cloth. By using a special syringe, apply silicon greases to the CPU chip center so that the entire CPU chip can be covered with the greases.
2. Install the cooling module into the correct position in the computer.
3. Secure the three screws on the cooling module using the numbered order shown on the screws.
4. Place the CPU cover in the correct position and fasten the securing screw.

4.5 CPU

Removing the CPU

CAUTION: When removing the CPU, keep the following in mind:

The CPU can become very hot during operation. Be sure to let it cool down before starting repair work.

Remove the CPU according to the following procedures and Figures 4-18, 4-19 and 4-10.

CAUTION: Remove the CPU by aligning the triangle with the shaded area.

NOTE: FOXCONN CPU socket will be 180 degrees to the right.

1. Unlock the CPU by rotating the cam on the CPU socket 120 degrees to the left with a flat-blade screwdriver (in the order shown in the figure below).
2. Remove the CPU.

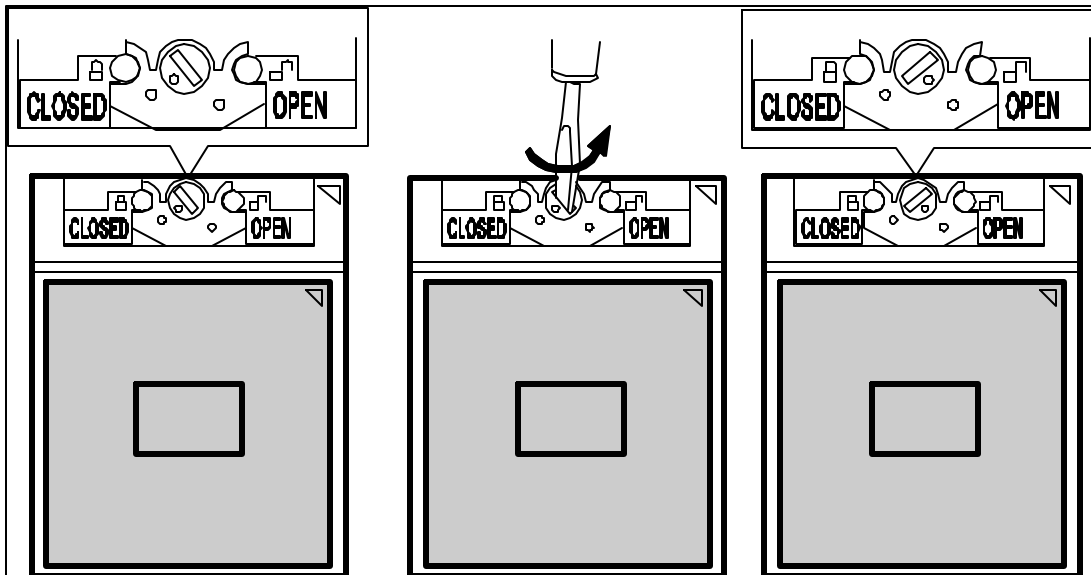


Figure4-18 Removing the CPU

Installing the CPU

Install the CPU according to the following procedures and Figures 4-15.

1. Check that the triangle on the cam is in the unlocking position.
2. Attach the CPU to the correct position in the CPU socket. Align the CPU with the CPU socket by using the triangle as a guide.

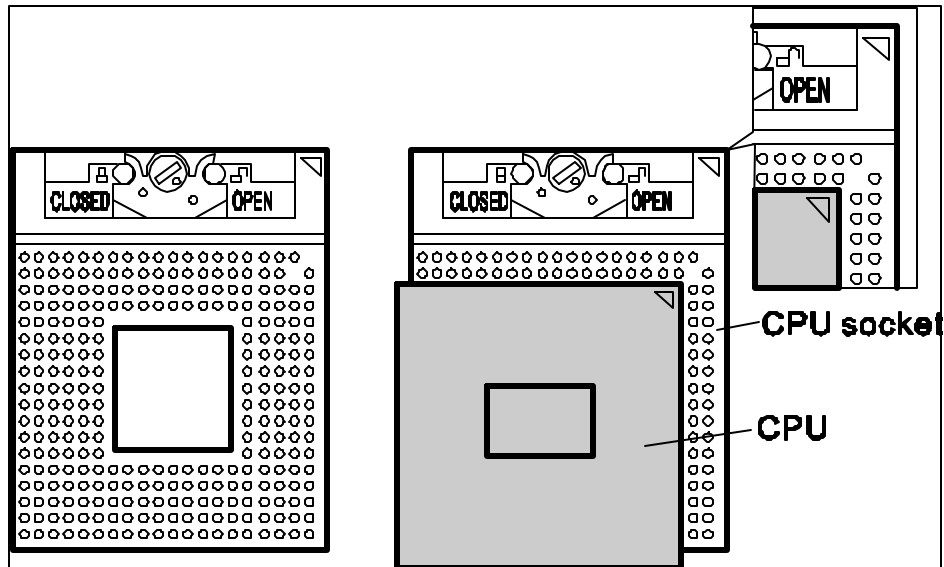


Figure 4-19 Installing the CPU

CAUTION: Place the CPU by aligning the triangle with the shaded area.

3. Fix the CPU by rotating the cam 120 degrees to the right with a flat-blade screwdriver.

NOTE: FOXCONN CPU socket will be 180 degrees to the left.

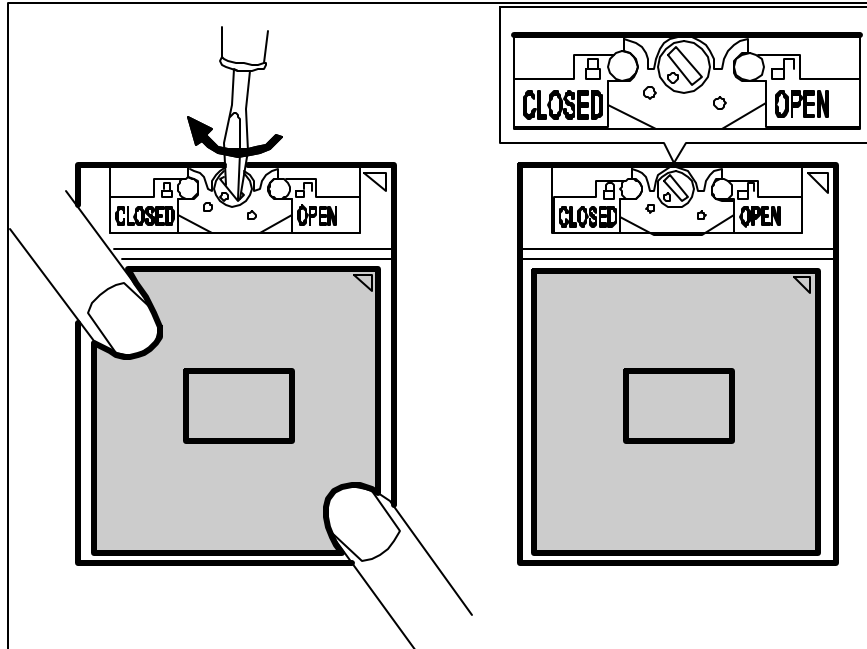


Figure 4-20 Fixing the CPU

4.6 Speaker Cover and Keyboard

Removing the Speaker Cover and Keyboard

Remove the Speaker Cover and Keyboard according to the following procedures and Figure 4-21, 4-22.

1. Release the following 8 latches on the switch cover, in that order:
 - Two bottom latches
 - One latch on the left and right sides
 - Four front latches
2. Remove the speaker cover.
3. Remove two M2.5x2.6 black bind securing screw.
4. Remove the connector CN8 on main board and keyboard.

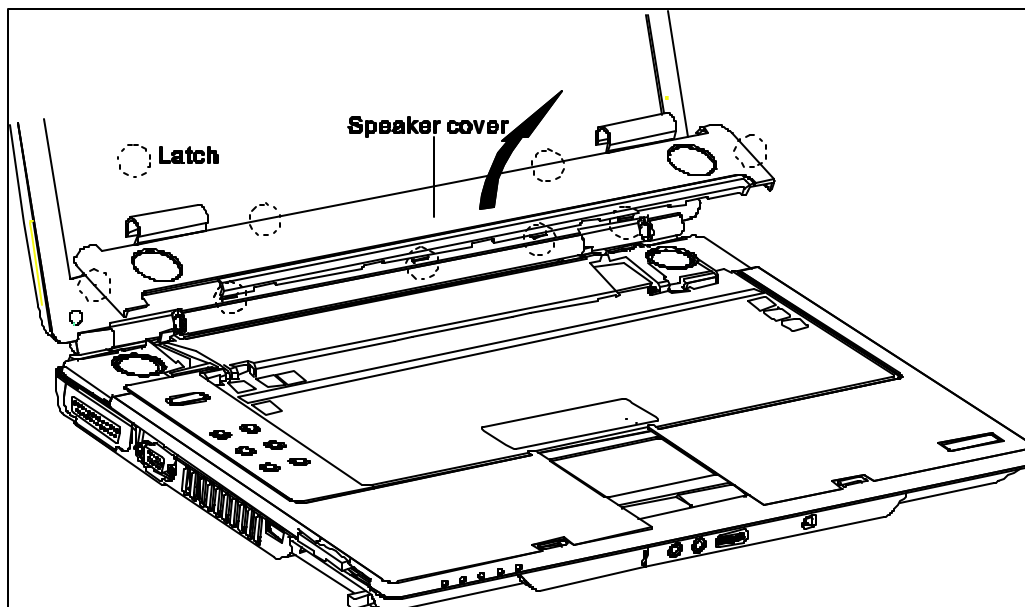


Figure 4-21 Removing the speaker cover

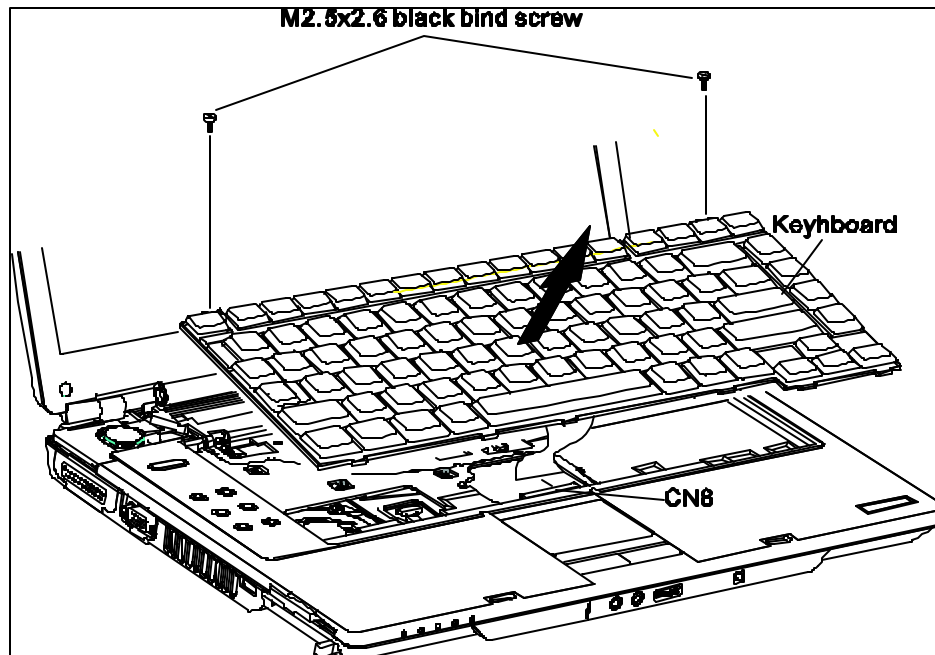


Figure 4-22 Removing the keyboard

Installing the Speaker Cover and Keyboard

Install the speaker cover and keyboard according to the following procedures and Figure 4-21, 4-22.

1. Connect the keyboard cable on main board connector CN8 and put it on correct position.
2. Securing the keyboard with two M2.5x2.6 black blind screws.
3. Please the speaker cover in the correct position and fasten the following 8 latches, in that order:
 - Two bottom latches
 - One latch on the left and right sides
 - Four front latches
4. Close the display and turn the computer over.

4.7 Bluetooth Card

Removing the Bluetooth Card

Remove the Bluetooth card according to the following procedures and Figures 4-23.

1. Disconnect the antenna cable with the tweezers.
2. Disconnect the Bluetooth SUMI-card connector CN3 on main board.
3. Remove two M2x3 white bind screws.
4. Remove the Bluetooth card.

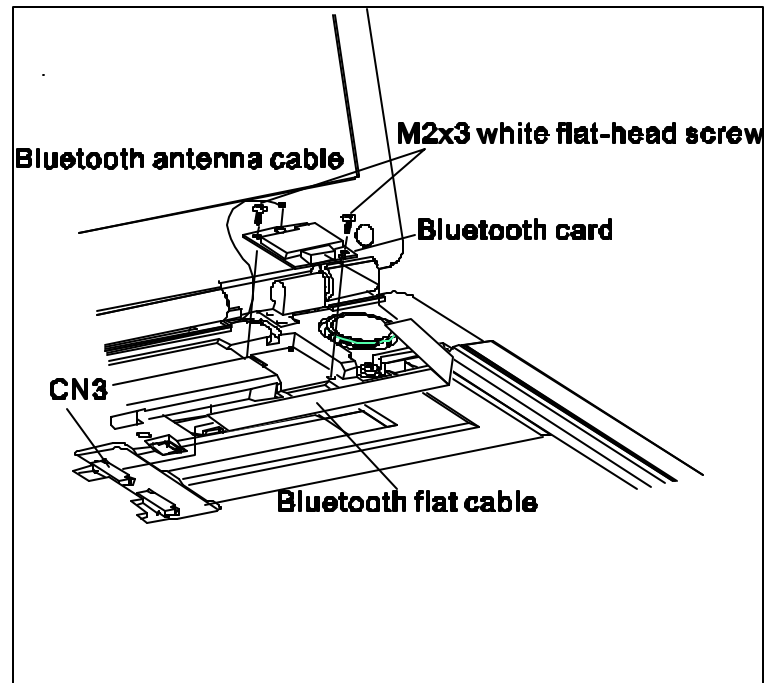


Figure 4-23 Removing Bluetooth card

Installing the Bluetooth Card

Install the Bluetooth card according to the following procedures and Figures 4-23.

1. Connect the Bluetooth SUMI-card to CN3 on the system board and fix Bluetooth card with two M2x3 white flat-head screws.
2. Connect the antenna cable with tweezers.

4.8 ODD Bay Module

Removing the ODD Bay Module

NOTE: The installation and removal procedures are the same for all the modules that can be installed in the ODD bays. See the appropriate sections for the disassembly procedures of the specific modules.

Remove the ODD bay module according to the following procedures and Figure 4-24, 4-25.

1. Turn the computer upside down.
2. Remove the M2x4 black flat-head screw.
3. Turn the computer over and open the display.
4. Push out the ODD bay module in the direction of the arrow.

CAUTION: Handle the ODD bay module carefully, because it becomes hot during operation.

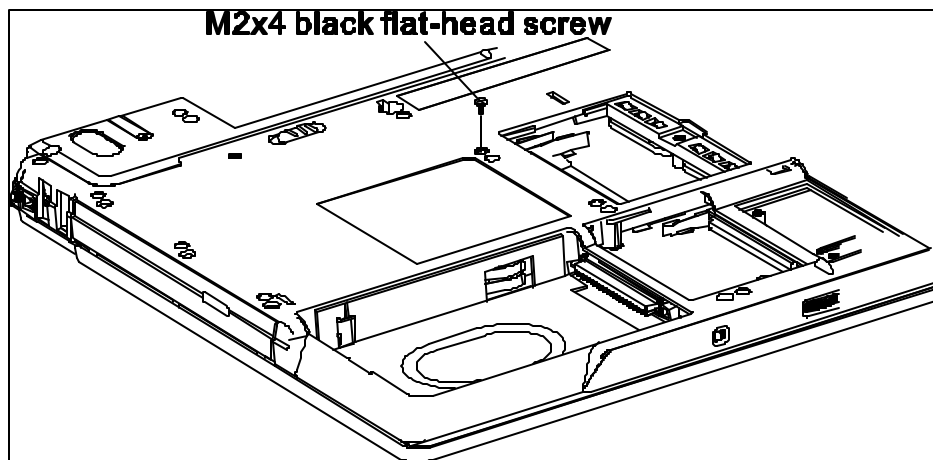


Figure 4-24 Removing the ODD bay module

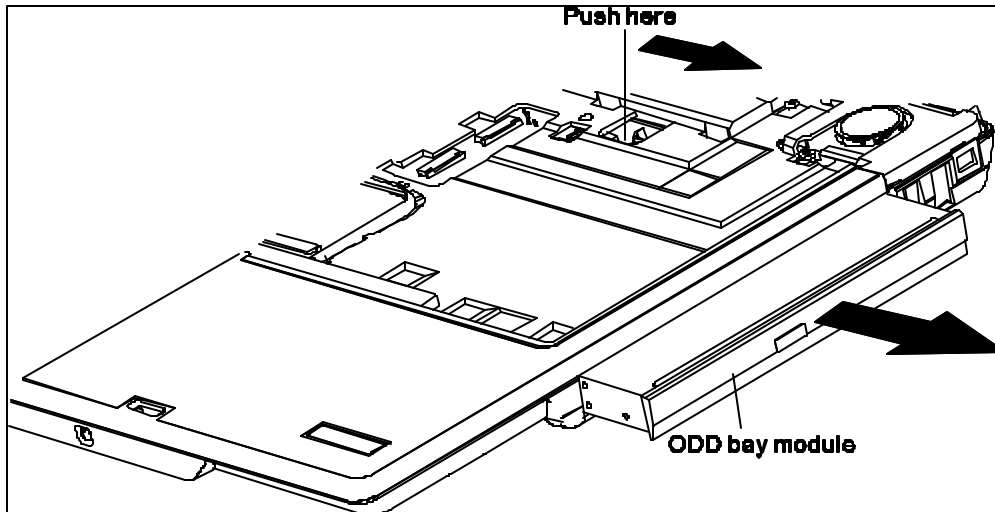


Figure 4-25 Removing the ODD bay module

Installing the ODD Bay Module

Install the ODD bay module according to the following procedures and Figure 4-24, 4-25.

1. Place the ODD bay module in the correct position and slide it in.
2. Push it until it clicks into place.
3. Close the display and turn the computer over.
4. Fix the ODD bay module with one M2x4 black flat-head screw.

Disassembling the ODD Drive

NOTE: Do not disassemble the ODD drive when it is working normally. Disassemble or replace the ODD drive only if it failed.

Disassemble the ODD drive according to the following procedures and Figures 4-26.

1. Remove the two M2x3 white flat-head screws.
2. Remove the bracket.

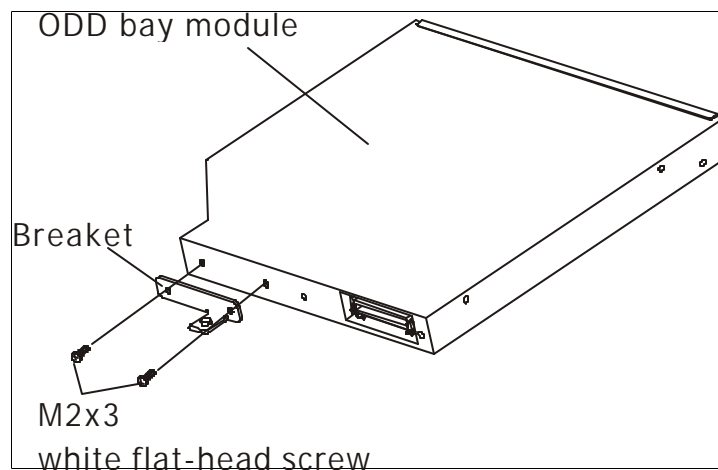


Figure 4-26 Removing the bracket from the ODD drive

Assembling the ODD Drive

Assemble the ODD drive according to the following procedures and Figures 4-26.

1. Secure the bracket with the two M2x3 white flat-head screws.

4.9 Display Assembly

Removing the Display Assembly

CAUTION: Use care to avoid that the antenna cable for antenna is caught between the display assembly and computer.

Remove the display assembly according to the following procedures and Figures 4-27, 4-28.

1. Turn the computer back to front and remove four M2.5x8 black flat-head screws.
2. Restore the normal computer placement and open the display panel.

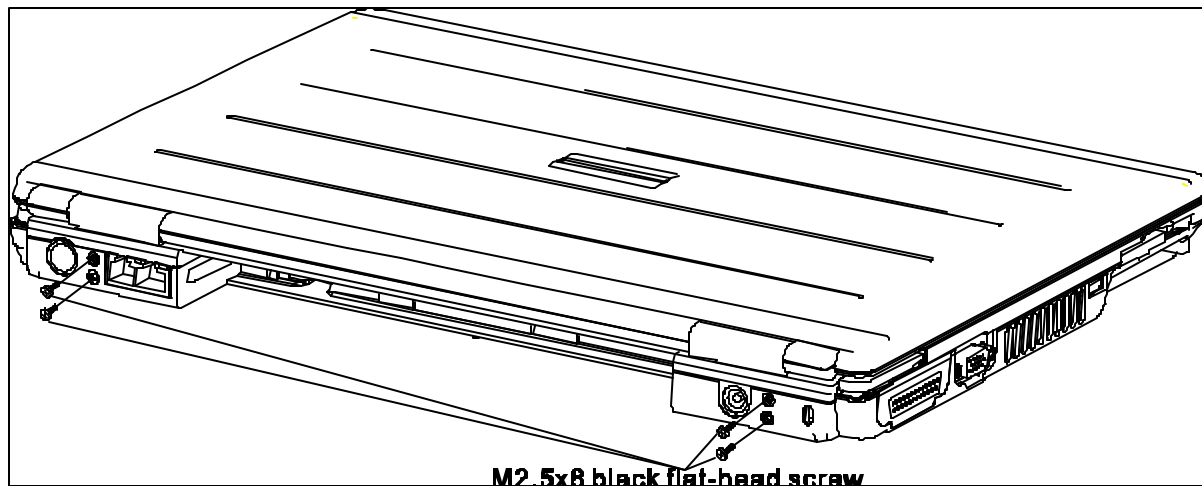


Figure 4-27 Removing the screws from the back of the compute

3. Disconnect the LCD/FL cable from CN1 on the system board.
4. Remove two M2.5x5 black flat-head screws to secure the LCD module to top cover.
5. Remove the wireless antenna cables from the top cover.
6. Remove the display module.

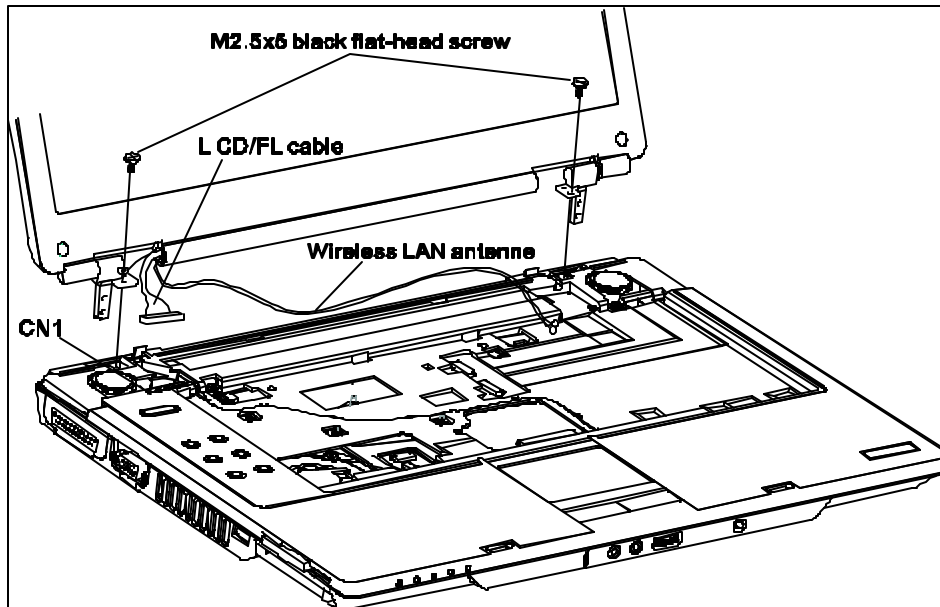


Figure 4-28 Removing the display assembly

Installing the Display Assembly

Install the display assembly according to the following procedures and Figures 4-19, 4-20.

1. Place the display panel in the correct position and push the wireless antenna cable into the top cover.
2. Connect the LCD/FL cable to CN1 on the system board
3. Securing display assembly with two M2.5x5 black flat-head screws.
4. Close the display panel and turn the computer back to front and fix it with four M2.5x8 black flat-head screws.

4.10 Top Cover

Removing the Top Cover

Remove the top cover according to the following procedures and Figures 4-29 and 4-30.

1. Turn the computer upside down, and remove the following 15 screws:
 - Three M2.5x8 black flat-head screws
 - Eight M2.5x6 black bind screws
 - One M2.5x10 black flat-head screws
 - Three M2.5x3 white flat-head screws

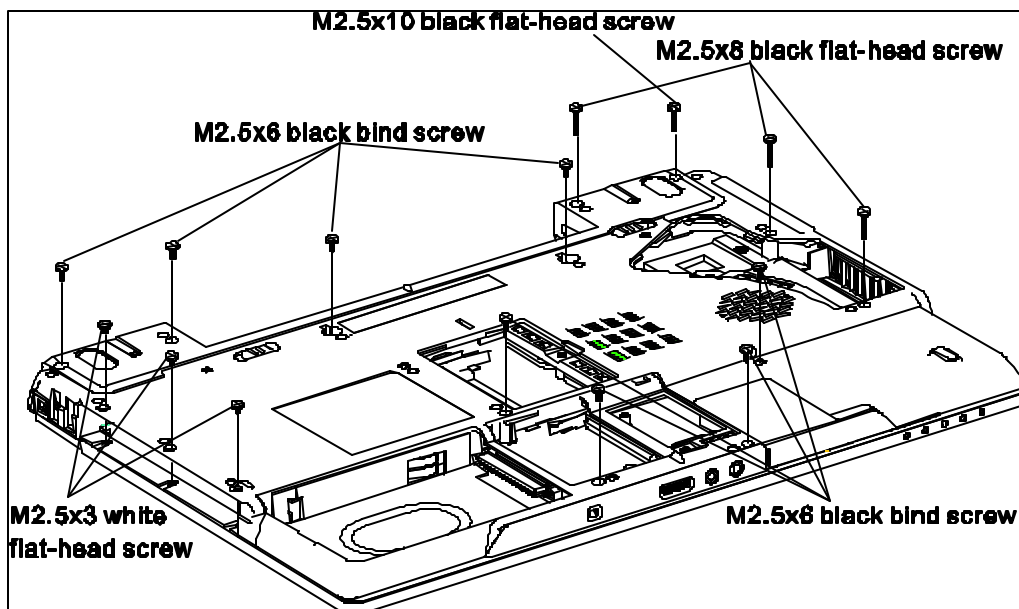


Figure 4-29 Removing the screws from the bottom of the computer

2. Restore the normal computer placement.

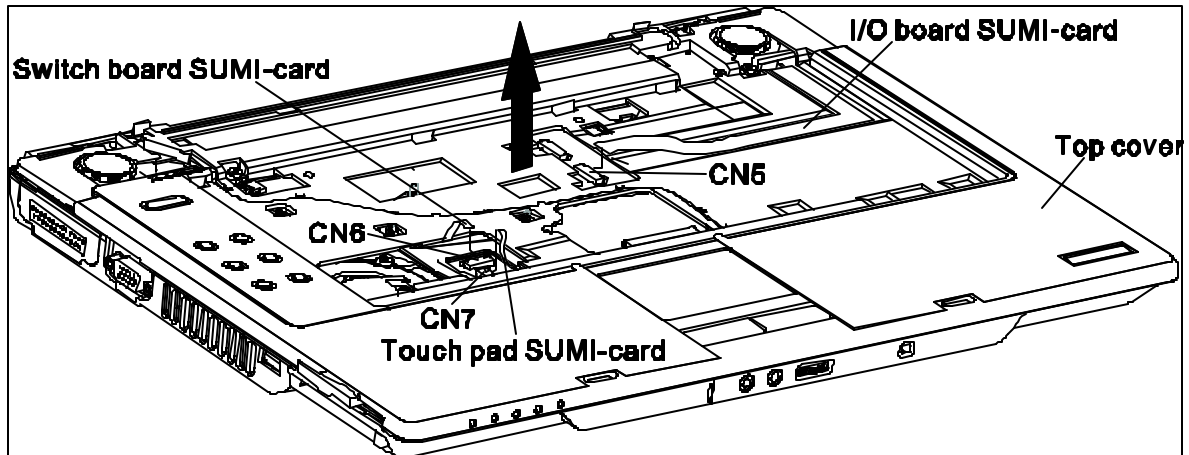


Figure 4-30 Removing the top cover

3. Disconnect the switch board flat cable from CN6.
4. Disconnect the touch pad board flat cable from CN7.
5. Disconnect the I/O board flat cable from CN5.
6. Lift up the top cover.

Installing the Top Cover

Install the top cover with the display assembly according to the following procedures and Figures 4-29, 4-30.

1. Connect the switch board, touch pad, I/O board flat cables to CN6, CN7 and CN5 on the system board.
2. Place the top cover, adjusting its position.
3. Turn the computer upside down and fix it with the following 15 screws:
 - Three M2.5x10 black flat-head screws
 - Eight M2.5x6 black bind screws
 - One M2.5x8 black flat-head screws
 - Three M2.5x3 white flat-head screws.

4.11 System Board, Speaker and MIC, AC-IN, RJ11/45, MDC cable

Removing the System Board, Speaker and MIC, AC-IN, RJ11/45, MDC cable

NOTE: Be careful of the eject button for the PC card. It can be damage when removing the board. Make sure it is pushed in.

Remove the System Board, Speaker and MIC, AC-IN, RJ11/45, MDC cable according to the following procedures and Figures 4-31, 4-32 and 4-33.

1. Remove the MIC cables fix tape.
2. Remove the MIC cable from CN11.
3. Remove the L. speaker, R. speaker cable from CN2, CN4 on system board.
4. Remove the cable cover.
5. Remove two M2x4 black flat-head screws, and then remove the system board with RJ11/45, AC-IN connector.

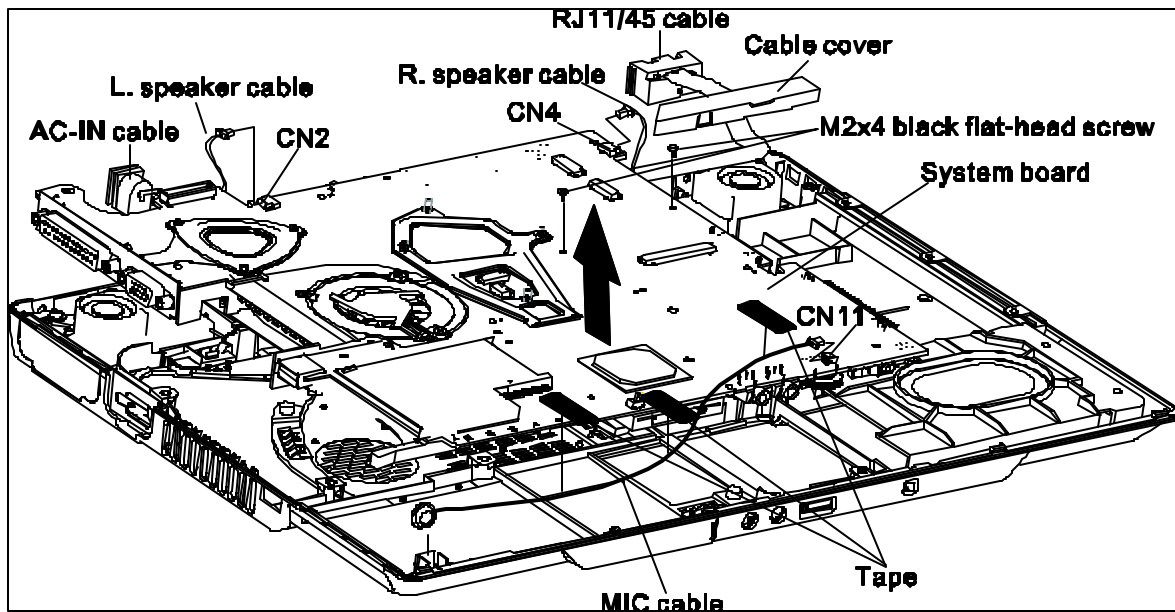


Figure 4-31 Removing the system board

5. Turn the system board upside down.

6. Remove the RJ11/45, AC-IN cable from CN505, CN3009, and CN501.
7. Remove the MDC cable from CN502.

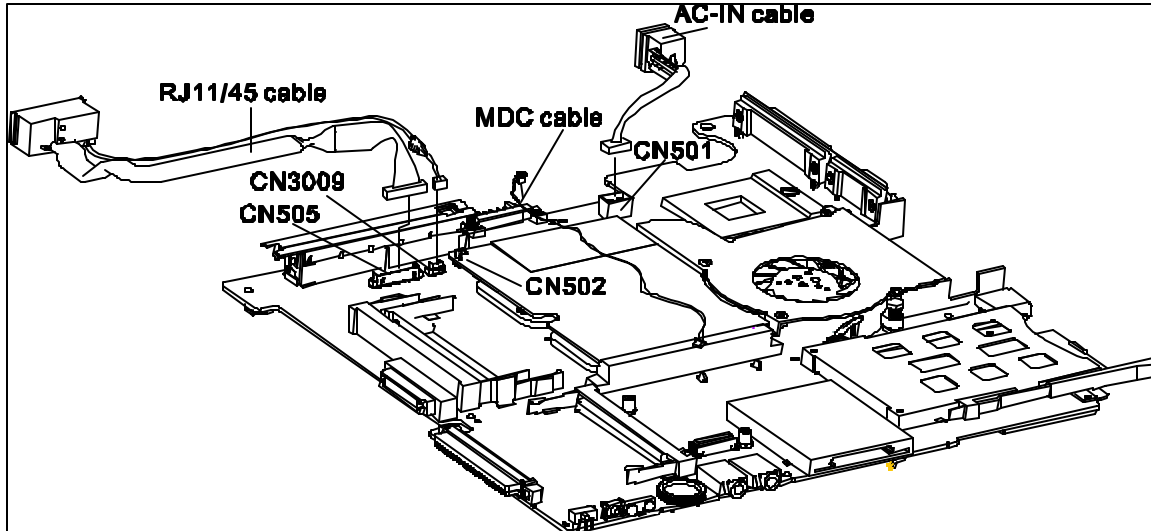


Figure4-32 Removing the RJ-11/45, AC-IN, MDC cable

8. Remove the L and R speaker box.

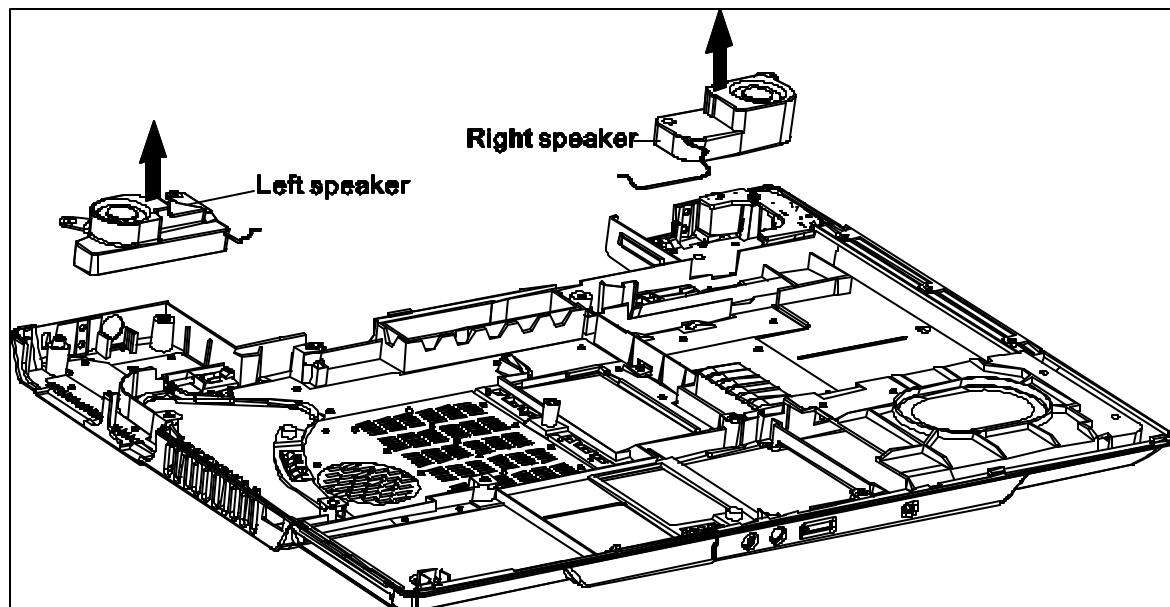


Figure 4-33 Remove the L and R speaker box

Installing the System Board, Speaker and MIC, AC-IN, RJ11/45, MDC cable

Install the System Board, Speaker and MIC, AC-IN, RJ11/45, MDC cable according to the following procedures and figure 4-31, 4-32 and 4-33.

1. Place the L and R speaker box on the bottom cover.

CAUTION: Use care to avoid that the RJ11/45, AC-IN and MDC cable is caught between the main board and base body.

NOTE: Be careful of the eject button for the PC card. It can be damage when removing the board. Make sure it is pushed in.

2. Connect the RJ11/45, AC-IN and MDC cable to CN505, CN3009, CN501 and CN502 on the system board.
3. Turn the system board upside down and place the system board and RJ11/45 and AC-IN connector on correct position.
4. Seat the cable cover.
5. Connect the L and R speakers connector to CN2, CN4 on the system board.
6. Place the MIC in correct position and connect the MIC cable to CN11 on the system board.
7. Stick the MIC cables by the tape.

4.12 VGA Board

Removing the VGA Board

Remove the VGA board according to the following procedures and Figures 4-34.

1. Remove three M2.5x4 black flat-head screw.
2. Remove the VGA bracket.
3. Remove the VGA board.

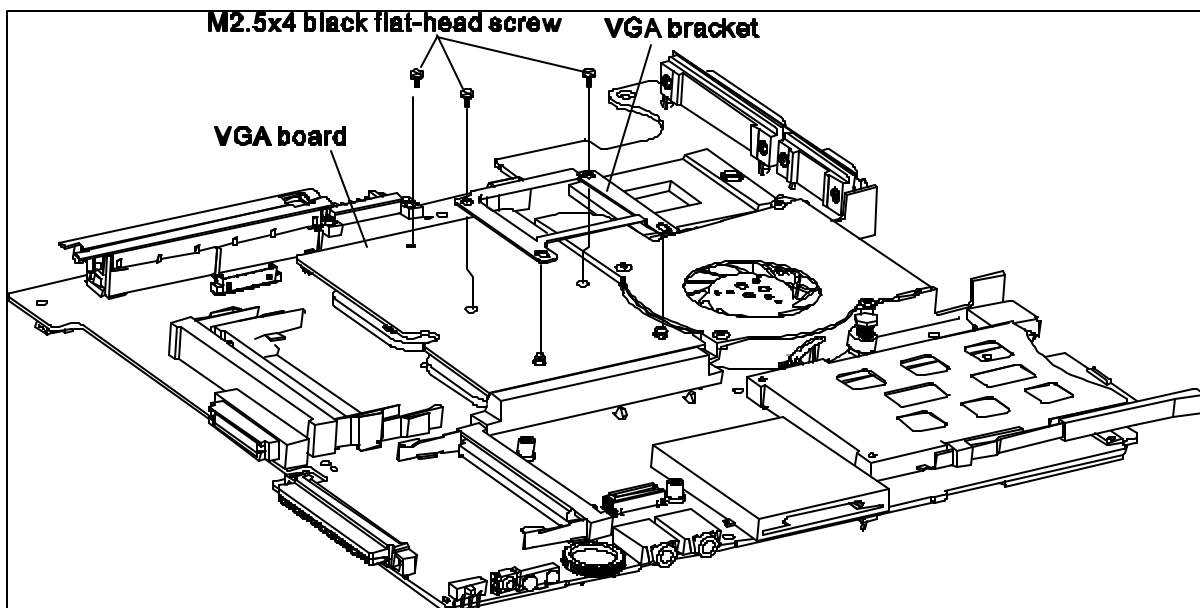


Figure 4-34 Removing the VGA board

Installing the VGA Board

Install the touch pad according to the following procedures and figure 4-34.

1. Seat the VGA board to the corrector.
2. Secure it with VGA bracket and three M2.5x4 black flat-head screws.

4.13 North Bridge thermal module

Removing North Bridge thermal module

Remove the north bridge thermal module according to the following procedures and Figure 4-35.

1. Disconnect the cable of the north bridge thermal module from CN513 on the system board.
2. Release two thermal module securing screws.
3. Release two clips.
4. Remove the north bridge thermal module.

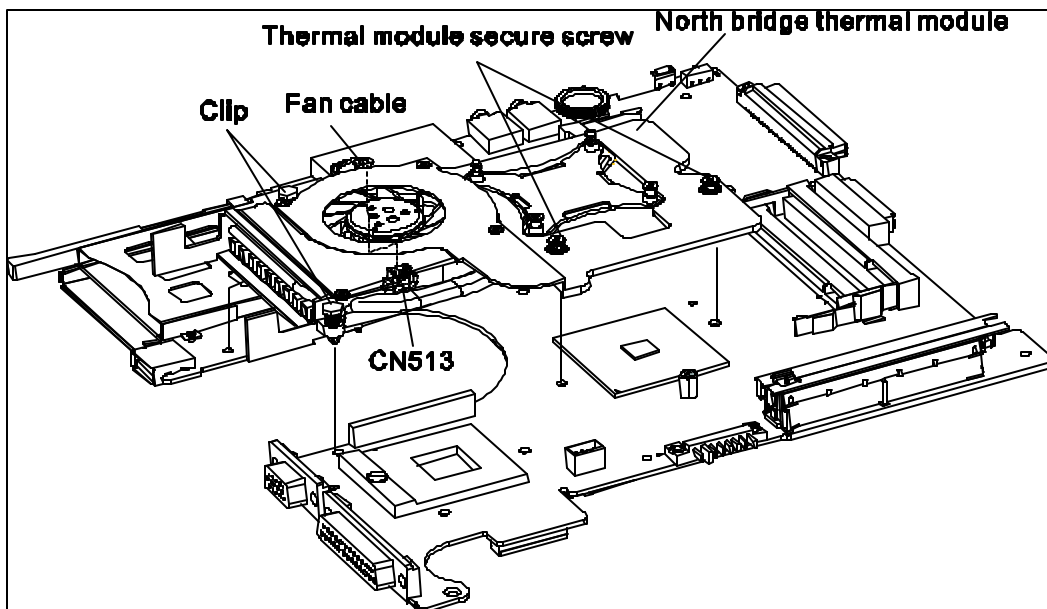


Figure 4 -35 Removing the north bridge thermal module

Installing the Removing North Bridge thermal module

Install the Removing North Bridge thermal module according to the following procedures and Figure 4-35.

1. Place the north bridge thermal module in the correct position and push the clip in correct position on the system board.
2. Secure two north bridge thermal module screws.
3. Connect the North Bridge thermal module cable to the CN513 on the system board.

4.14 Display Mask

Removing the Display Mask

Remove the display mask according to the following procedures and Figure 4-36.

1. Remove the following 4 seals on the display module in that order:
 - Two black seals on the bottom
 - Two black seals on the top
2. Remove the following 4 screw on the display module, in that order:
 - Two M2.5x4.5 white flat-head screws on the top
 - Two M2.5x4.5 white flat-head screws on bottom
3. Release the following 25 latches on the display mask, in that order:
 - Six bottom latches
 - Five latches on each of the left and right sides
 - Nine top latches

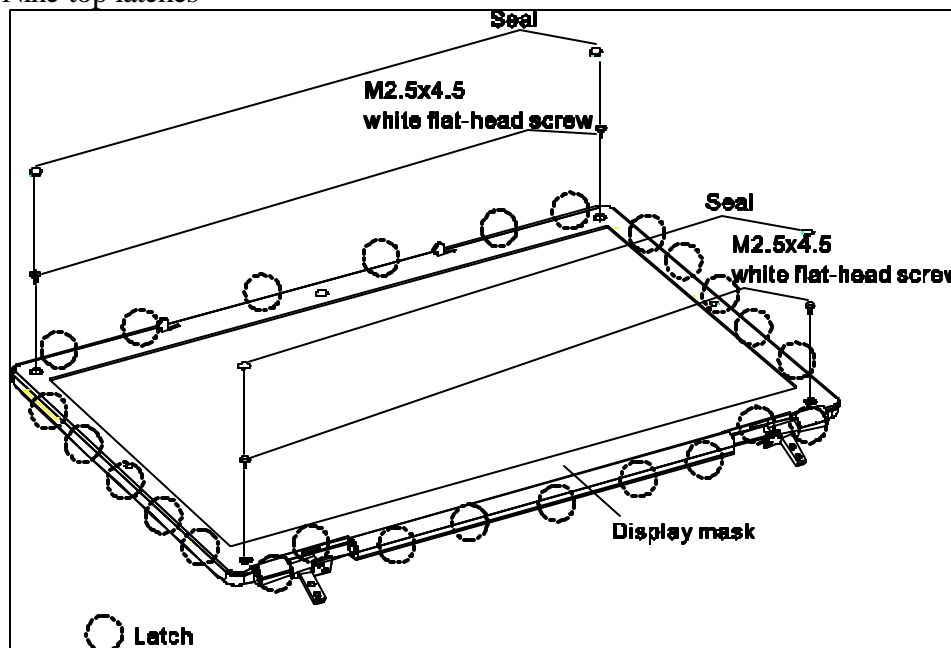


Figure 4-36 Removing the display mask

Installing the Display Mask

Install the display mask according to the following procedures and Figure 4-36.

1. Place the display mask in the correct position and fasten the following 25 latches, in that order:
 - Six top latches
 - Five latches on each of the left and right sides
 - Nine bottom latches

2. Place the display module in the correct position and fasten the following 8 screws, in that order:
 - Two M2.5x4.5 white flat-head screws on the top
 - Two M2.5x4.5 white flat-head screws on bottom

3. Place the display mask in the correct position and fasten the following 4 seals, in that order:
 - Two black seals on the bottom
 - Two black seals on the top

4.15 FL Inverter Board

Removing the FL Inverter Board

Remove the FL inverter board according to the following procedures and Figures 4-37 and 4-38

1. Remove three M2.5x4.5 white flat-head screws.

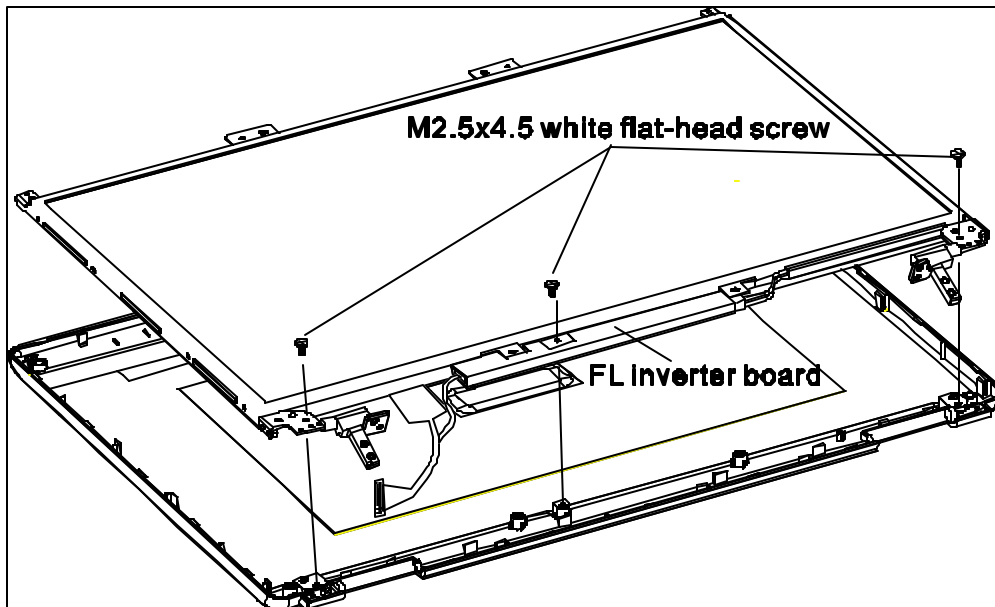


Figure 4-37 Removing the FL inverter board

2. Raise the LCD module, FL inverter board and disconnect the LCD/FL cable from LCD/FL connector.
3. Disconnect the HV cable from HV connector and remove the FL inverter board.

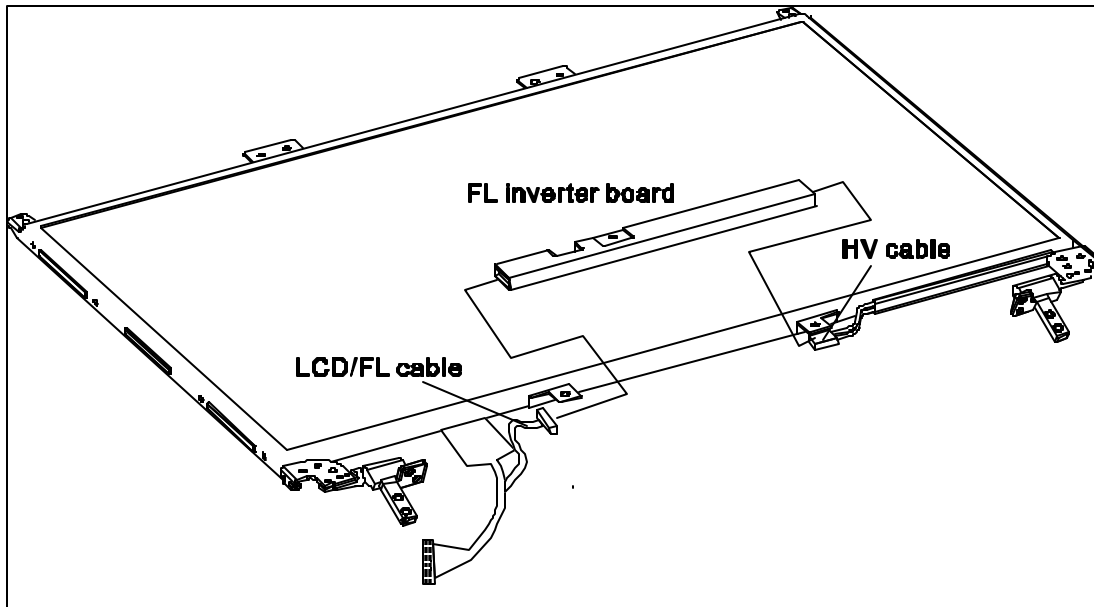


Figure 4-38 disconnecting the cables

Installing the FL Inverter Board

Install the FL inverter board according to the following procedures and Figures 4-37 and 4-38.

1. Connect the LCD/FL cable to LCD/FL connector, and connect the HV cable to HV connector.
2. Place the LCD module, FL inverter board in the correct position.
3. Fasten the three M2.5x4.5 white flat-head screws to secure the FL inverter board and LCD module.

4.16 LCD Modules

NOTE: ICs are fragile. Use extreme care not to apply pressure to the ICs along the edges of the LCD module.

NOTE: Dispose of used LCD panels (fluorescent (FL) tubes) as required by local ordinances or regulations.

NOTE: LCD/FL cable must be carefully peeled away before disconnecting it from the module.

Removing the 15.4-inch LCD module

Remove the 15.4-inch LCD module according to the following procedures and Figures 4-39, 4-40.

1. Carefully tilt the LCD module toward you.
2. Remove the two M2x3 white flat-head screws on each of the left and right sides for fixing the LCD bracket.

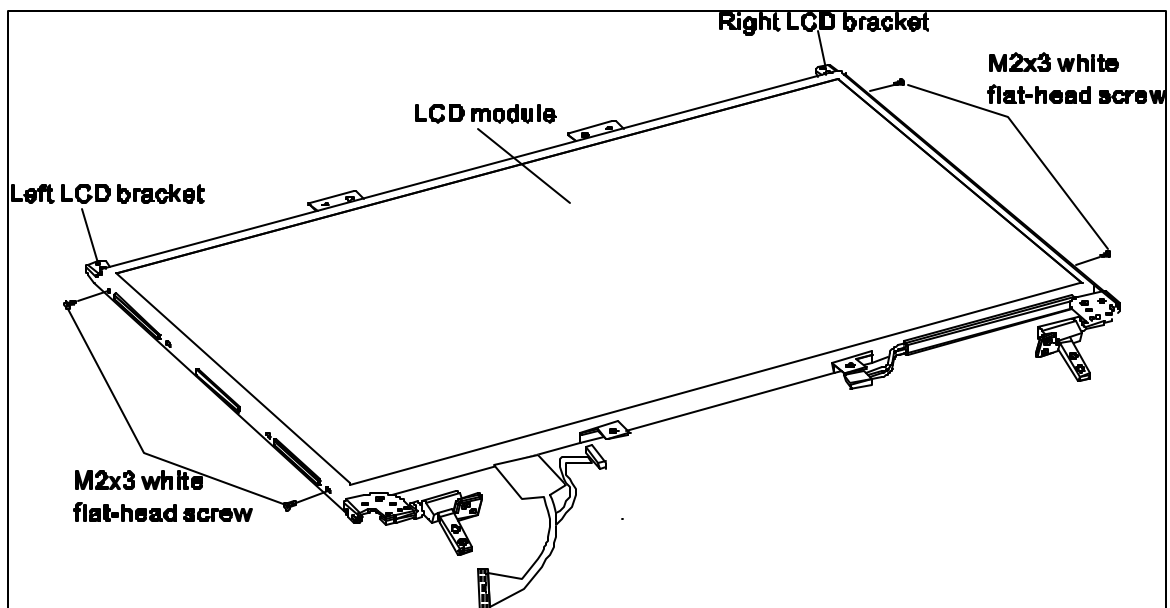


Figure 4-39 Removing the 15.4-inch LCD module and screws

3. Remove the LCD brackets.
4. Turn the LCD upside down.
5. Remove the tape and LCD/FL cable connector. Then disconnect the LCD/FL cable.

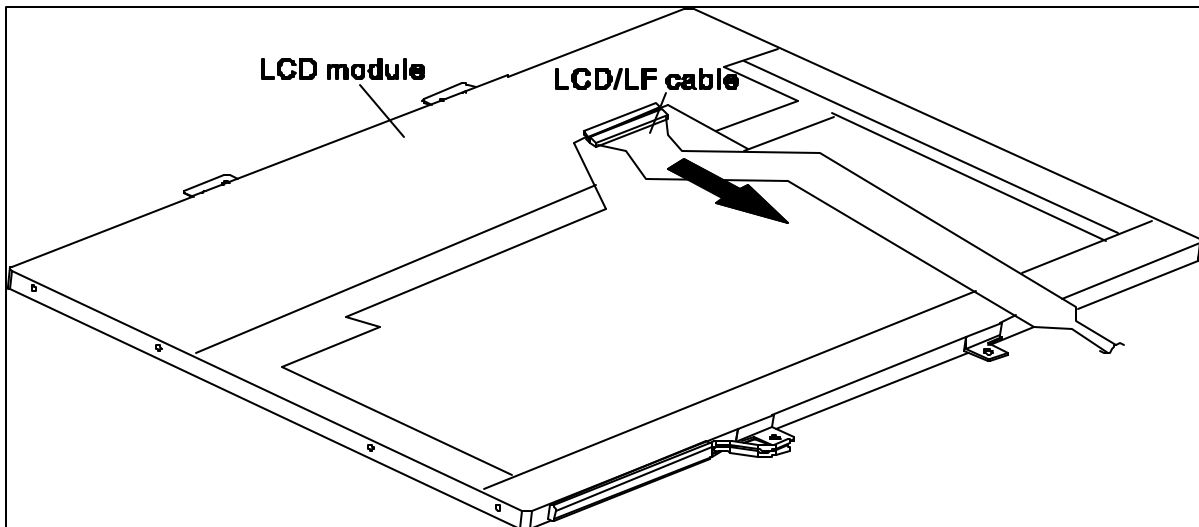


Figure 4-40 Removing the 15.4-inch LCD module

Installing the 15.4-inch LCD Module

***NOTE:** LCD/FL cable must be carefully peeled away before disconnecting it from the module.*

Install the 15.4-inch LCD module according to the following procedures and Figures 4-39, 4-40.

1. Turn the LCD upside down.
2. Connect the LCD/FL cable to the LCD module connector.
3. Return the normal LCD placement.
4. Place the LCD bracket in the correct position and secure it with the two M2x3 white flat-head screws on each of the left and right sides.

4.17 I/O Board

Removing the I/O Board

Remove the I/O board according to the following procedures and Figure 4-41.

1. Remove the M2.5x4 black flat-head screw for securing the I/O board.
2. Remove the I/O board.
3. Disconnect the SUMI-card (flat cable) from CN3006 on the I/O board.

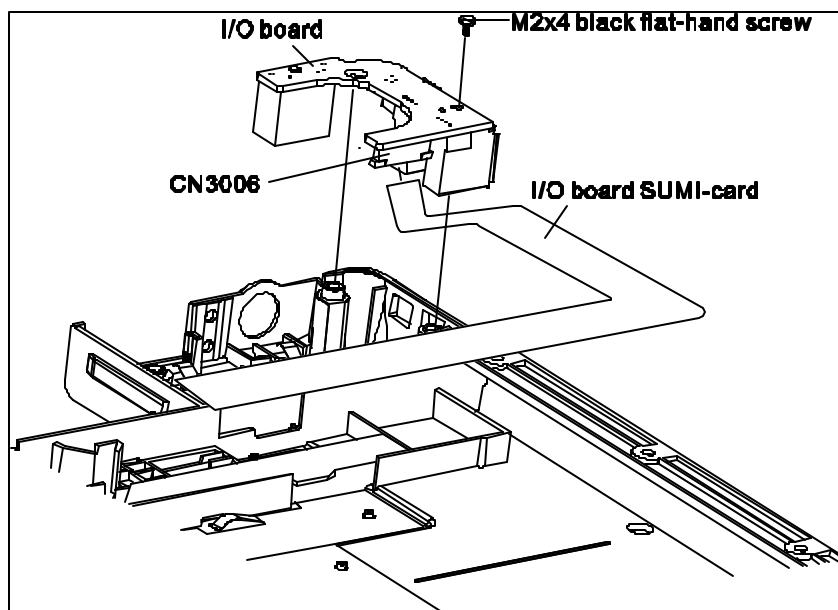


Figure 4-41 Removing the I/O board

Installing the I/O Board

Install the sound board according to the following procedures and Figures 4-41.

1. Connect the SUMI-card to CN3006 on the I/O board.
2. Place the I/O board in the correct position.
3. Secure the I/O board with the M2x4 black flat-head screw.

4.18 Switch Cover and Switch Board

Removing the Switch Cover and Switch Board

Remove the Switch Cover and Switch Board according to the following procedures and Figure 4-42, 4-43.

1. Remove the following 6 latches on the switch cover, in that order:
 - Three latches on each of the left and right sides

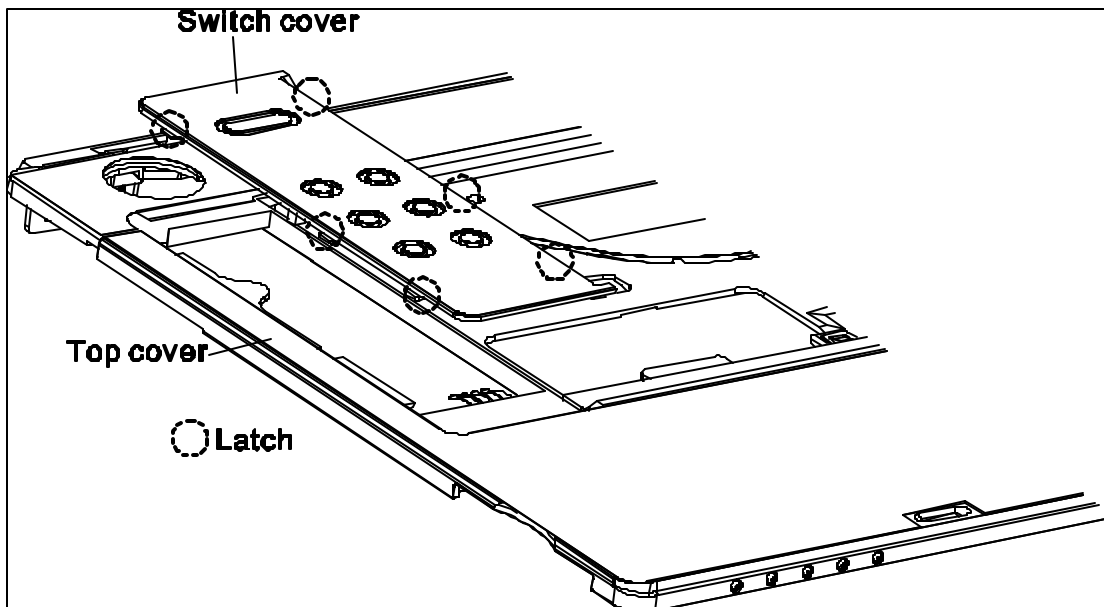


Figure 4-42 Removing the switch cover

2. Disconnect the switch board flat cables from CN3002 on the switch board.
3. Remove two M2.5x4 black flat-head screws.
4. Remove the switch board.

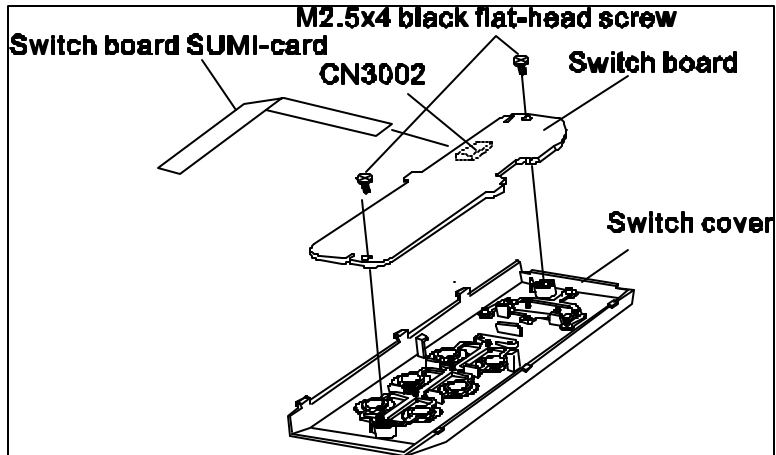


Figure 4-43 Removing the switch Board

Install the Switch Cover and Switch Board

Install the switch board according to the following procedures and Figure 4-42, 4-43.

1. Place the switch board on the correct position and securing it with the two M2.5x4 black flat-head screws.
2. Connect the switch board flat cables to CN3002 on the switch board.
3. Place the switch cover in the correct position and fasten the following 6 latches, in that order:
 - Three latches on each of the left and right sides

4.19 Touch Pad and Button Board

Removing the Touch Pad and Button Board

Remove the touch pad and button board according to the following procedures and Figure 4-44.

1. Disconnect the touch pad flat cables from J1 on the touch pad.
2. Remove the two M2.5x4 black flat-head screws for securing the touch pad.
3. Remove the Touch Pad.

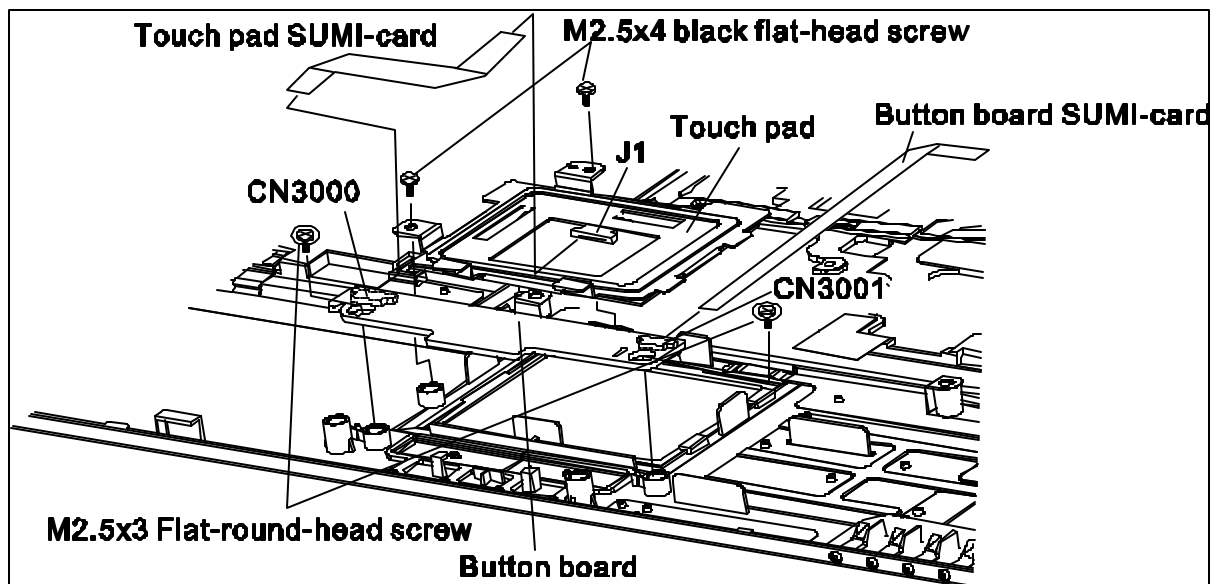


Figure 4-44 Removing the touch pad and button board

4. Remove the two M2.5x3 flat-round-head screws for securing the touch pad board.
5. Remove the Touch Pad board.
6. Disconnect the touch pad flat cable from CN3000 and button board flat cable from CN3001 on the button board.

Installing the Touch Pad Board and Button Board

Install the Touch Pad Board and Button Board according to the following procedures and Figure 4-44.

1. Connect the touch pad flat cables to CN3000 and button board flat cable to CN3001 on the button board.
2. Place the button board on the correct position and securing it with the two M2.5x3 flat-round-head screws.
3. Place the touch pad on the correct position and securing it with the two M2.5x4 black flat-head screws.
4. Connect the touch pad flat cables to J1 on the touch pad.

Appendices

Appendix Contents

Appendix A Handling the LCD Module	A-1
Appendix B Board Layout	B-1
B.1 System Board Front View	B-1
B.2 System Board Back View.....	B-3
Appendix C	Error! Bookmark not defined.
System Board.....	Error! Bookmark not defined.
C.1 CN1 LCD/FL Inverter Connector (42-Pin).....	Error! Bookmark not defined.
C.2 CN2 Internal Left Speaker Connector (4-Pin).....	Error! Bookmark not defined.
C.3 CN3 Bluetooth Connector (20-Pin)	Error! Bookmark not defined.
C.4 CN4 Internal Right Speaker Connector (4-Pin).....	Error! Bookmark not defined.
C.5 CN5 USB FFC Connector (20-Pin).....	Error! Bookmark not defined.
C.6 CN6 Power Switch & Hotkey Board FFC Connector (14-Pin)	Error! Bookmark not defined.
C.7 CN7 Touch Pad FFC Connector (6-Pin).....	Error! Bookmark not defined.
C.8 CN8 Internal Keyboard Connector (34-Pin).....	Error! Bookmark not defined.
C.9 CN9 Express Card Connector (26-Pin).....	Error! Bookmark not defined.
C.10 CN11 Internal Microphone Connector (4-Pin).....	Error! Bookmark not defined.
C.11 CN500 Battery Connector (7-Pin).....	Error! Bookmark not defined.
C.12 CN501 DC_IN Connector (4-Pin).....	Error! Bookmark not defined.
C.13 CN502 MDC to MB Connector (2-Pin).....	Error! Bookmark not defined.
C.14 CN503 DOCKING Connector (240-Pin)	Error! Bookmark not defined.
C.15 CN504 Parallel Port Connector (25-Pin).....	Error! Bookmark not defined.
C.16 CN505 LAN Connector (15-Pin).....	Error! Bookmark not defined.
C.17 CN507 External Monitor Connector (15-Pin)	Error! Bookmark not defined.
C.18 CN508 ODD Connector (50-Pin).....	Error! Bookmark not defined.
C.19 CN509 Memory Slot SO DIMM#1 Connector (200-Pin)	Error! Bookmark not defined.
C.20 CN510 Memory Slot SO DIMM#0 Connector (200-Pin)	Error! Bookmark not defined.

C.21 CN511 VGA Card Connector (232-Pin)..... **Error! Bookmark not defined.**
C.22 CN512 USB#2 Connector (6-Pin) **Error! Bookmark not defined.**
C.23 CN513 FAN Connector (5-Pin)..... **Error! Bookmark not defined.**
C.24 CN514 HDD Connector (44-Pin) **Error! Bookmark not defined.**
C.25 CN515 PCMCIA Card Connector (68-Pin)..... **Error! Bookmark not defined.**
C.26 CN516 5 in 1 Card Reader Connector (44-Pin) **Error! Bookmark not defined.**
C.27 CN517 MDC Connector (30-Pin)..... **Error! Bookmark not defined.**
C.28 CN518 MINI PCI Connector (124-Pin) **Error! Bookmark not defined.**
C.29 CN3003 S-VIDEO Connector (4-Pin)..... **Error! Bookmark not defined.**
C.30 CN3004 1394 Connector (4-Pin)..... **Error! Bookmark not defined.**
C.31 CN3005 USB#0 Connector (4-Pin) **Error! Bookmark not defined.**
C.32 CN3006 USB/B Connector (20-Pin)..... **Error! Bookmark not defined.**
C.33 CN3007 USB#1 Connector (4-Pin) **Error! Bookmark not defined.**
C.34 JACK500 External Microphone Connector (6-Pin)..... **Error! Bookmark not defined.**
C.35 JACK501 Headphone Connector (6-Pin)..... **Error! Bookmark not defined.**

Appendix D Keyboard Scan/Character Codes D-1

Appendix E Key Layout..... E-1

Appendix F BIOS Rewrite Procedures F-1

Appendix G EC/KBC Rewrite Procedures G-1

Figures

Figure B-1	Board layout (front).....	B-1
Figure B-2	Board layout (back).....	B-3
Figure E-1	CN keyboard.....	E-1

Tables

Table B-1	System board connectors (front).....	B-2
Table B-2	System board connectors (back).....	B-4
Table C-1	LCD/FL Inverter Connector (42-Pin).....	C-3
Table C-2	Internal Left Speaker Connector (4-Pin).....	C-3
Table C-3	Bluetooth Connector (20-Pin).....	C-4
Table C-4	Internal Right Speaker Connector (4-Pin).....	C-4
Table C-5	USB FFC Connector (20-Pin).....	C-4
Table C-6	Power Switch & Hotkey Board FFC Connector (14-Pin).....	C-5
Table C-7	Touch Pad FFC Connector (6-Pin).....	C-5
Table C-8	Internal Keyboard Connector (34-Pin).....	C-5
Table C-9	Express Card Connector (26-Pin).....	C-6
Table C-10	Internal Microphone Connector (4-Pin).....	C-6
Table C-11	Battery Connector (7-Pin).....	C-7
Table C-12	DC_IN Connector (4-Pin).....	C-7
Table C-13	MDC to MB Connector (2-Pin).....	C-7
Table C-14	DOCKING Connector (240-Pin).....	C-7
Table C-15	Parallel Port Connector (25-Pin).....	C-11
Table C-16	LAN Connector (15-Pin).....	C-11
Table C-17	External Monitor Connector (15-Pin).....	C-12
Table C-18	ODD Connector (50-Pin).....	C-12
Table C-19	Memory Slot SO DIMM#1 Connector (200-Pin).....	C-13
Table C-20	Memory Slot SO DIMM#0 Connector (200-Pin).....	C-16

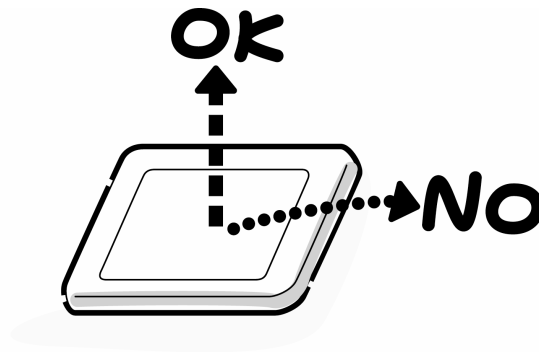
Table C-21	VGA Card Connector (232-Pin).....	C-19
Table C-22	USB#2 Connector (6-Pin)	C-22
Table C-23	FAN Connector (5-Pin).....	C-22
Table C-24	HDD Connector (44-Pin).....	C-23
Table C-25	PCMCIA Card Connector (68-Pin).....	C-23
Table C-26	5 in 1 Card Reader Connector (44-Pin).....	C-24
Table C-27	MDC Connector (30-Pin).....	C-25
Table C-28	MINI PCI Connector (124-Pin).....	C-26
Table C-29	S-VIDEO Connector (4-Pin)	C-28
Table C-30	1394 Connector (4-Pin).....	C-28
Table C-31	USB#0 Connector (4-Pin).....	C-28
Table C-32	USB/B Connector (20-Pin).....	C-29
Table C-33	USB#1 Connector (4-Pin)	C-29
Table C-34	External Microphone Connector (6-Pin)	C-29
Table C-35	Headphone Connector (6-Pin)	C-30
Table D-1	Scan codes (set 1 and set 2).....	D-1
Table D-2	Scan codes with left Shift key.....	D-5
Table D-3	Scan codes in Numlock mode.....	D-6
Table D-4	Scan codes with Fn key	D-6
Table D-5	Scan codes in overlay mode.....	D-7
Table D-6	No.124 key scan code.....	D-7
Table D-7	No.126 key scan code.....	D-8

Appendix A Handling the LCD Module

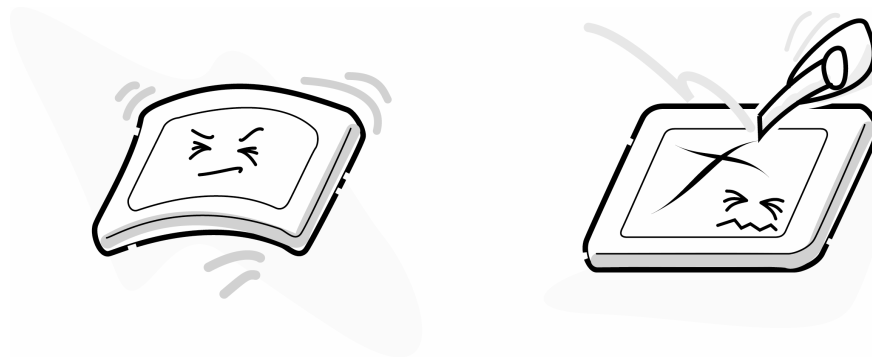
Precautions for handling the LCD module

The LCD module can be easily damaged during assembly or disassembly. Observe the following precautions when handling the LCD module:

1. When installing the LCD module in the LCD cover, be sure to seat it so that it is properly aligned and maximum visibility of the display is maintained.



2. Be careful to align the four holes at the right side and left side of the LCD module with the corresponding holes in the LCD cover before securing the module with four screws. Do not force the module into place, because stress can affect its performance. Also, the panel's polarized surface is easily scarred, so be carefully when handling it.



3. If the panel's surface gets dirty, wipe it with cotton or a soft cloth. If it is still dirty, try breathing on the surface to create a light condensate and wipe it again.

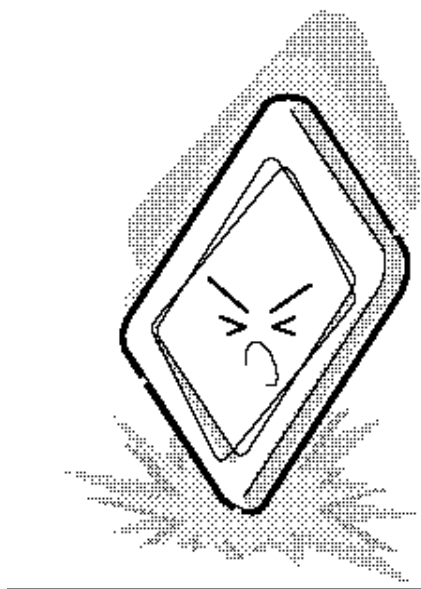
If the surface is very dirty, we recommend a CRT cleaning agent. Apply the agent to a cloth and then wipe the panel's surface. Do not apply cleanser directly to the panel. Also, never scratch the surface.



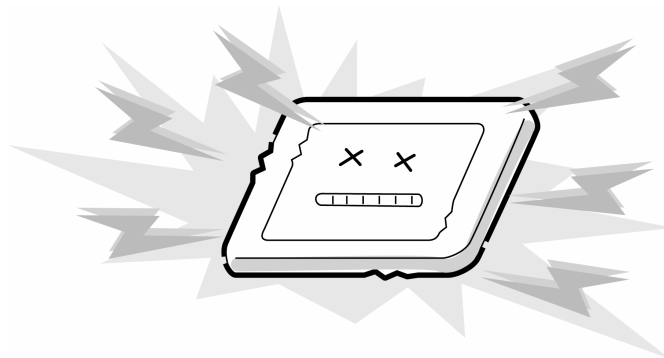
4. If water or other liquid is left on the panel's surface for a long period, it can change the screen's tint or stain it. Be sure to quickly wipe off any liquid.



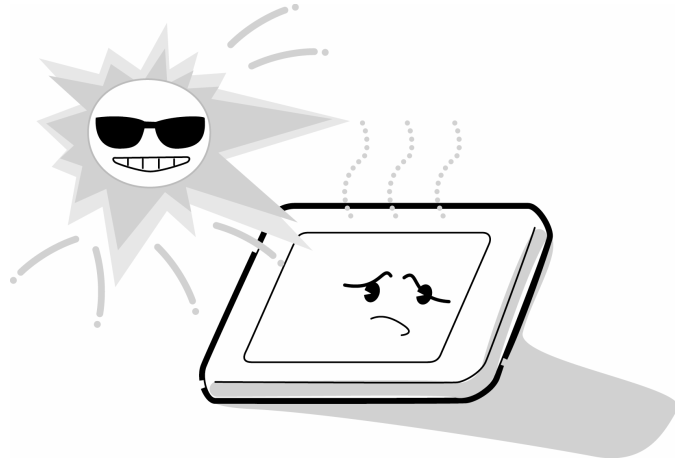
5. Glass is used in the panel, so be careful not to drop it or let it strike a hard object, which could cause breakage or cracks.



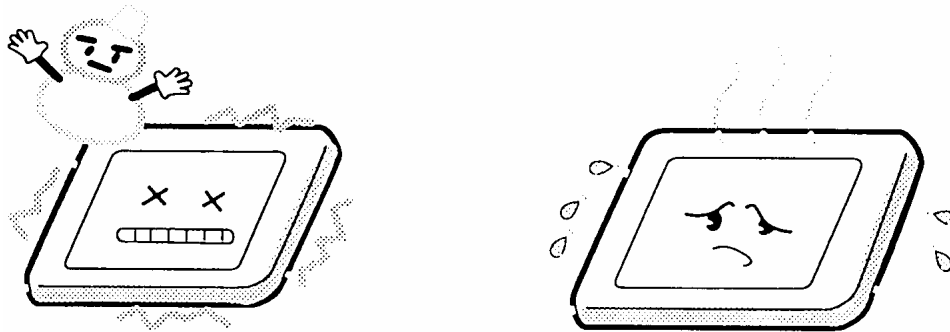
6. CMOS-LSI circuits are used in the module, so guard against damage from electrostatic discharge. Be sure to wear a wrist or ankle ground when handling the module.



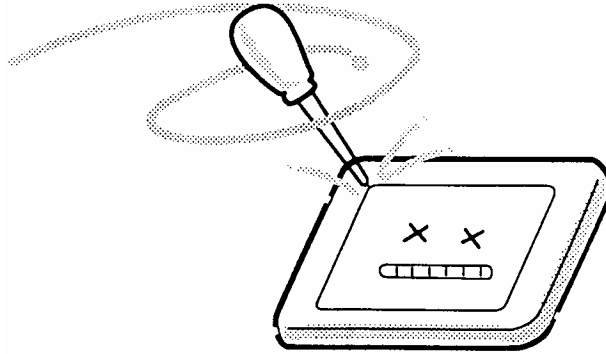
7. Do not expose the module to direct sunlight or strong ultraviolet rays for long periods.



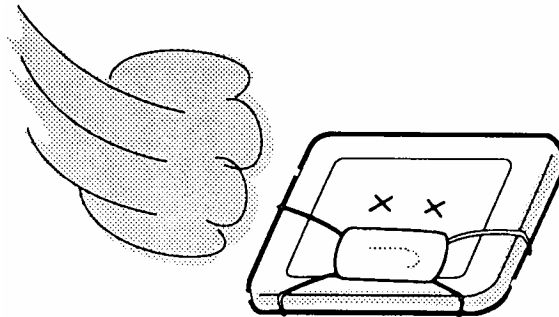
8. Do not store the module at temperatures below specifications. Cold can cause the liquid crystals to freeze, lose their elasticity or otherwise suffer damage.



9. Do not disassemble the LCD module. Disassembly can cause malfunctions.



10. If you transport the module, do not use packing material that contains epoxy resin (amine) or silicon glue (alcohol or oxime). These materials can release gas that can damage the panel's polarization.



Appendix B Board Layout

B.1 System Board Front View

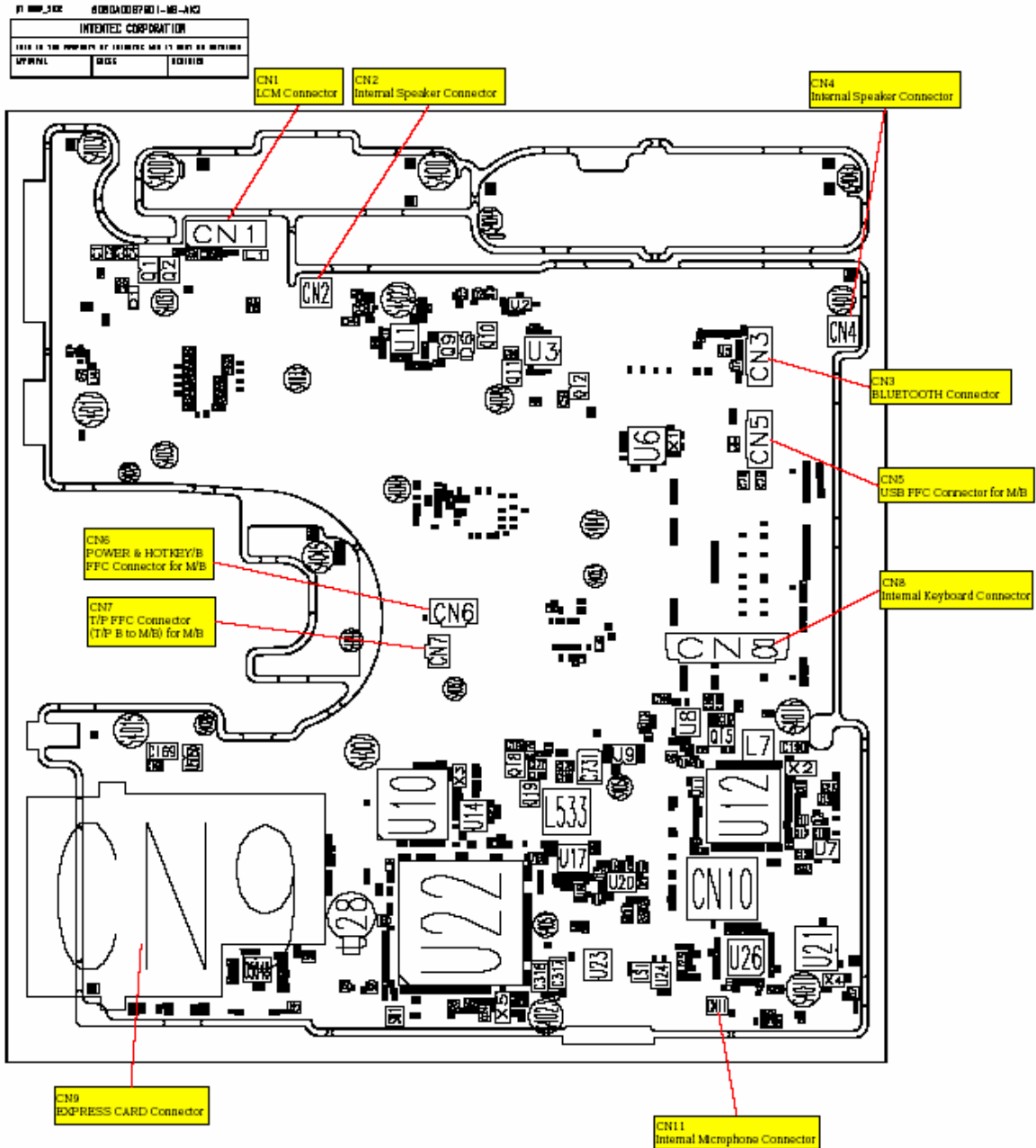


Figure B-1 Board layout (front)

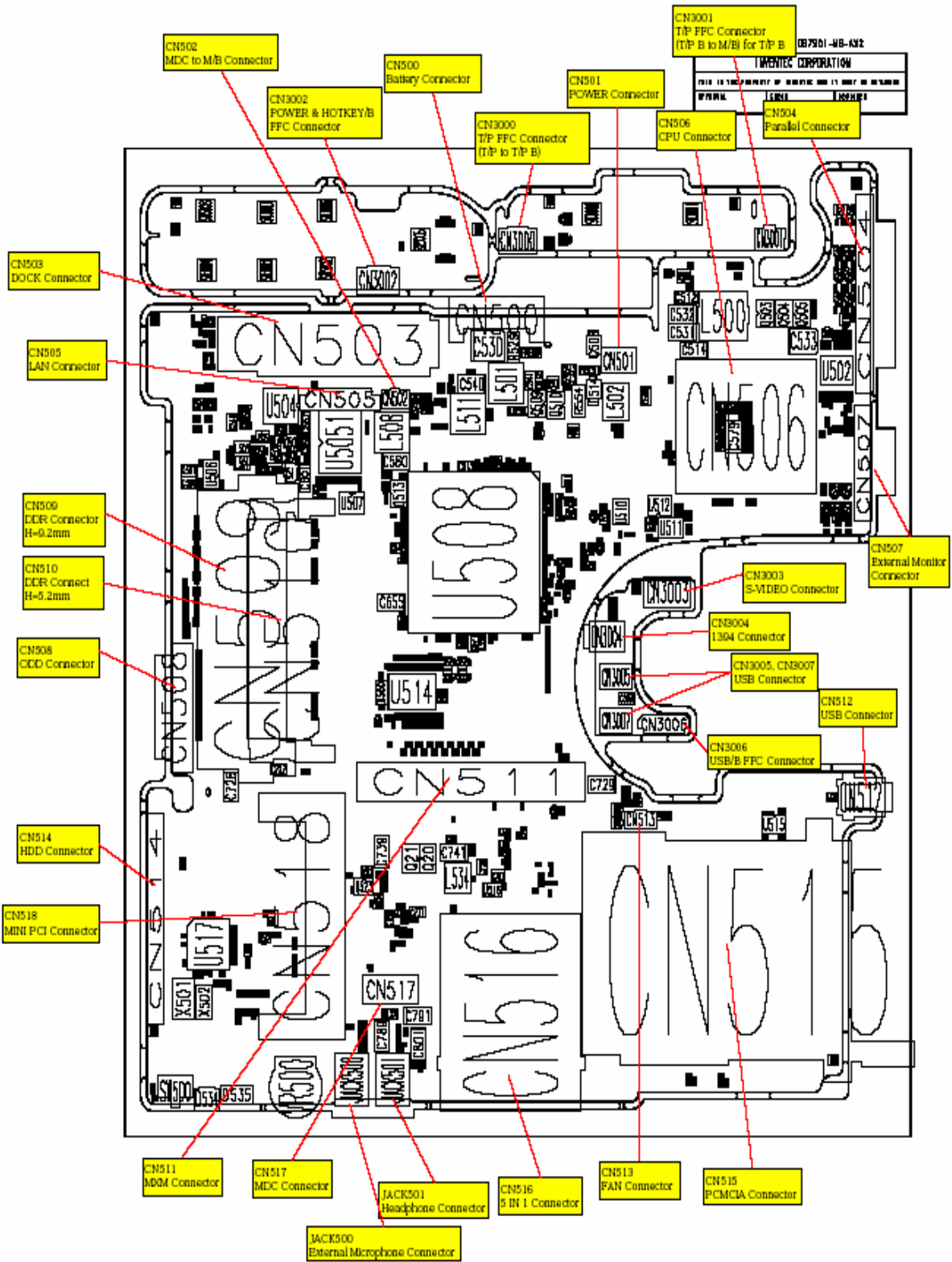


Figure B-2 Board layout (back)

Appendix C C-3

System Board.....	C-3
C.1 CN1 LCD/FL Inverter Connector (42-Pin)	C-3
C.2 CN2 Internal Left Speaker Connector (4-Pin)	C-3
C.3 CN3 Bluetooth Connector (20-Pin).....	C-4
C.4 CN4 Internal Right Speaker Connector (4-Pin)	C-4
C.5 CN5 USB FFC Connector (20-Pin)	C-4
C.6 CN6 Power Switch & Hotkey Board FFC Connector (14-Pin).....	C-6
C.7 CN7 Touch Pad FFC Connector (6-Pin)	C-6
C.8 CN8 Internal Keyboard Connector (34-Pin)	C-6
C.9 CN9 Express Card Connector (26-Pin)	C-7
C.10 CN11 Internal Microphone Connector (4-Pin)	C-7
C.11 CN500 Battery Connector (7-Pin)	C-8
C.12 CN501 DC_IN Connector (4-Pin)	C-8
C.13 CN502 MDC to MB Connector (2-Pin).....	C-8
C.14 CN503 DOCKING Connector (240-Pin).....	C-8
C.15 CN504 Parallel Port Connector (25-Pin).....	C-13
C.16 CN505 LAN Connector (15-Pin).....	C-13
C.17 CN507 External Monitor Connector (15-Pin).....	C-14
C.18 CN508 ODD Connector (50-Pin).....	C-14
C.19 CN509 Memory Slot SO DIMM#1 Connector (200-Pin).....	C-15
C.20 CN510 Memory Slot SO DIMM#0 Connector (200-Pin).....	C-18
C.21 CN511 VGA Card Connector (232-Pin)	C-21
C.22 CN512 USB#2 Connector (6-Pin).....	C-24
C.23 CN513 FAN Connector (5-Pin).....	C-24
C.24 CN514 HDD Connector (44-Pin).....	C-25
C.25 CN515 PCMCIA Card Connector (68-Pin).....	C-25
C.26 CN516 5 in 1 Card Reader Connector (44-Pin).....	C-26
C.27 CN517 MDC Connector (30-Pin).....	C-27
C.28 CN518 MINI PCI Connector (124-Pin).....	C-28

C.29 CN3003 S-VIDEO Connector (4-Pin) C-30

C.30 CN3004 1394 Connector (4-Pin) C-30

C.31 CN3005 USB#0 Connector (4-Pin)..... C-30

C.32 CN3006 USB/B Connector (20-Pin) C-31

C.33 CN3007 USB#1 Connector (4-Pin)..... C-31

C.34 JACK500 External Microphone Connector (6-Pin) C-31

C.35 JACK501 Headphone Connector (6-Pin) C-32

Appendix C Pin Assignments

System Board

C.1 CN1 LCD/FL Inverter Connector (42-Pin)

Table C-1 LCD/FL Inverter Connector pin assignments (42-Pin)

Pin No.	Signal Name	I/O	Pin No.	Signal Name	I/O
1	LCM_IDO	I	2	LCM_3S_VDDEN	O
3	LCM_ID1	I	4	LCM_3S_VDDEN	O
5	LCM_ID2	I	6	+V3S	-
7	LCM_ID2	I	8	LCM_DDCPCLK_3S	I/O
9	GND	-	10	LCM_DDCPDATA_3S	I/O
11	LVDS_TXDL0-	O	12	LVDS_TXDL0+	O
13	LVDS_TXDL1-	O	14	LVDS_TXDL1+	O
15	LVDS_TXDL2-	O	16	LVDS_TXDL2+	O
17	LVDS_TXCL-	O	18	LVDS_TXCL+	O
19	GND	-	20	GND	-
21	LVDS_TXDU0-	O	22	LVDS_TXDU0+	O
23	LVDS_TXDU1-	O	24	LVDS_TXDU1+	O
25	LVDS_TXDU2-	O	26	LVDS_TXDU2+	O
27	LVDS_TXCU-	O	28	LVDS_TXCU-	O
29	GND	-	30	GND	-
31	GND	-	32	GND	-
33	+V5S	-	34	+V5S	-
35	+V5S	-	36	INV_PWM_2	O
37	LCM_3S_BKLTEN	O	38	GND	-
39	GND	-	40	GND	-
41	GND	-	42	GND	-

C.2 CN2 Internal Left Speaker Connector (4-Pin)

Table C-2 Internal Left Speaker Connector pin assignments (4-Pin)

Pin No.	Signal Name	I/O	Pin No.	Signal Name	I/O
1	SPK_OUT_L-	O	2	SPK_OUT_L+	O
3	GND	-	4	GND	-

C.3 CN3 Bluetooth Connector (20-Pin)

Table C-3 Bluetooth Connector pin assignments (20-Pin)

Pin No.	Signal Name	I/O	Pin No.	Signal Name	I/O
1	BTRF-E3V	-	2	NC	-
3	NC	-	4	USB_P3+	I/O
5	USB_P3-	I/O	6	NC	-
7	NC	-	8	BTIFON#	I/O
9	NC	-	10	GND	-
11	NC	-	12	BTWAKEUP	I/O
13	BT_RESET#	I/O	14	NC	-
15	NC	-	16	NC	-
17	NC	-	18	BTMDL#	I/O
19	NC	-	20	GND	-

C.4 CN4 Internal Right Speaker Connector (4-Pin)

Table C-4 Internal Right Speaker Connector pin assignments (4-Pin)

Pin No.	Signal Name	I/O	Pin No.	Signal Name	I/O
1	SPK_OUT_R-	0	2	SPK_OUT_R+	0
3	GND	-	4	GND	-

C.5 CN5 USB FFC Connector (20-Pin)

Table C-5 USB FFC Connector pin assignments (20-Pin)

Pin No.	Signal Name	I/O	Pin No.	Signal Name	I/O
1	USBVCC1	-	2	USBVCC1	-
3	USBVCC1	-	4	USBVCC1	-
5	USBVCC1	-	6	USBVCC1	-
7	USB_L_P0-	I/O	8	USB_L_P0+	I/O
9	GND	-	10	USB_L_P1-	I/O
11	USB_L_P1+	I/O	12	GND	-
13	1394_L_TPBON	I/O	14	1394_L_TPBOP	I/O
15	GND	-	16	1394_L_TPAON	I/O

17	1394_L_TPAOP	I/O	18	GND	I/O
19	SVID_L_LUMA	O	20	SVID_L_CHROMA	O

C.6 CN6 Power Switch & Hotkey Board FFC Connector (14-Pin)

Table C-6 Power Switch & Hotkey Board FFC Connector pin assignments (14-Pin)

1	+V3	-	2	PWR_ON#	I
3	PWR_OLED#	O	4	PWR_BLED#	O
5	+V5S	-	6	SCAN_OUT(1)	O
7	SCAN_IN(0)	O	8	SCAN_IN(2)	O
9	SCAN_IN(3)	O	10	SCAN_IN(4)	O
11	SCAN_IN(5)	O	12	SCAN_IN(6)	O
13	GND	-	14	GND	-

C.7 CN7 Touch Pad FFC Connector (6-Pin)

Table C-7 Touch Pad FFC Connector pin assignments (6-Pin)

Pin No.	Signal Name	I/O	Pin No.	Signal Name	I/O
1	CND	-	2	GND	-
3	IM_CLK_5	I	4	IM_DAT_5	I
5	+5V	-	6	+5V	-

C.8 CN8 Internal Keyboard Connector (34-Pin)

Table C-8 Internal Keyboard Connector pin assignments (34-Pin)(1/2)

Pin No.	Signal Name	I/O	Pin No.	Signal Name	I/O
1	NUM_LED#_3	I	2	SCROLL_LED#_3	I
3	CAPS_LED#_3	I	4	+5VS	-
5	SCAN_OUT(15)	I	6	SCAN_OUT(14)	I
7	SCAN_OUT(10)	I	8	SCAN_OUT(11)	I
9	SCAN_OUT(8)	I	10	SCAN_OUT(9)	I
11	SCAN_OUT(13)	I	12	SCAN_IN(7)	O
13	SCAN_OUT(3)	I	14	SCAN_OUT(7)	I
15	SCAN_OUT(12)	I	16	SCAN_IN(4)	O
17	SCAN_IN(6)	O	18	SCAN_IN(5)	O
19	SCAN_OUT(6)	I	20	SCAN_OUT(5)	I
21	SCAN_IN(3)	O	22	SCAN_IN(0)	O
23	SCAN_OUT(0)	I	24	SCAN_OUT(1)	I

Table C-8 Internal Keyboard Connector pin assignments (34-Pin)(2/2)

25	SCAN_IN(1)	O	26	SCAN_IN(2)	O
27	SCAN_OUT(2)	I	28	SCAN_OUT(4)	I
29	+V5S	-	30	NC	-
31	NC	-	32	NC	-
33	NC	-	34	+V5S	-

C.9 CN9 Express Card Connector (26-Pin)

Table C-9 Express Card Connector pin assignments (26-Pin)

Pin No.	Signal Name	I/O	Pin No.	Signal Name	I/O
1	GND	-	2	USB_P6-	I/O
3	USB_P6+	I/O	4	CPUSB#	I
5	NC	-	6	NC	-
7	ICH_3A_ALERT_CLK	I/O	8	ICH_3A_ALERT_DAT	I/O
9	+V1.5_EXP	-	10	+V1.5_EXP	-
11	PCIE_WAKE#	I	12	+V3AUX_EXP	-
13	PERST#	O	14	+V3_EXP	-
15	+V3_EXP	-	16	NC	-
17	CPPE#	I	18	CLK_R_PCIE_CARD#	O
19	CLK_R_PCIE_CARD	O	20	GND	-
21	PCIE_RXN2	I	22	PCIE_RXP2	I
23	GND	-	24	PCIE_C_TXN2	O
25	PCIE_C_TXP2	O	26	GND	-

C.10 CN11 Internal Microphone Connector (4-Pin)

Table C-10 Internal Microphone Connector pin assignments (4-Pin)

Pin No.	Signal Name	I/O	Pin No.	Signal Name	I/O
1	GND	-	2	MIC	I/O
3	GND	-	4	GND	-

C.11 CN500 Battery Connector (7-Pin)

Table C-11 Battery Connector pin assignments (7-Pin)

Pin No.	Signal Name	I/O	Pin No.	Signal Name	I/O
1	GND	-	2	BATT_SCL	I/O
3	BATT_SDA	I/O	4	THRM1	I
5	BATT_OFF	I	6	NC	-
7	+VPACK	I			

C.12 CN501 DC_IN Connector (4-Pin)

Table C-12 DC_IN Connector pin assignments (4-Pin)

Pin No.	Signal Name	I/O	Pin No.	Signal Name	I/O
1	GND	-	2	GND	-
3	+VADPTR	-	4	+VADPTR	-

C.13 CN502 MDC to MB Connector (2-Pin)

Table C-13 MDC to MB Connector pin assignments (2-Pin)

Pin No.	Signal Name	I/O	Pin No.	Signal Name	I/O
1	MDMTIP	I/O	2	MDMRNG	I/O

C.14 CN503 DOCKING Connector (240-Pin)

Table C-14 DOCKING Connector pin assignments (240-Pin)(1/5)

Pin No.	Signal Name	I/O	Pin No.	Signal Name	I/O
1	DCOUT	-	2	DCOUT	-
3	DOCDT1#	I	4	IF_P5V	-
5	MOUSCK	I/O	6	EXKBCK	I/O
7	GND	-	8	PHYRST#	I/O
9	DPCONF	I	10	GND	-
11	GND	-	12	CRT_DDCCLK	I/O
13	D_ROUT	I/O	14	D_GOUT	I/O
15	D_BOUT	I/O	16	DVSYNC	I/O

17	DVISC	I/O	18	NC	-
----	-------	-----	----	----	---

Table C-14 DOCKING Connector pin assignments (240-Pin)(2/5)

19	GND	-	20	NC	-
21	NC	-	22	DVITX2+	I/O
23	DVITX2-	I/O	24	DVITX1+	I/O
25	DVITX1-	I/O	26	DVITX0+	I/O
27	DVITX0-	I/O	28	GND	-
29	GND	-	30	DVITXC+	I/O
31	DVITXC-	I/O	32	DVIDET	I/O
33	NC	-	34	NC	-
35	NC	-	36	NC	-
37	GND	-	38	NC	-
39	NC	-	40	NC	-
41	GND	-	42	NC	-
43	NC	-	44	NC	-
45	GND	-	46	NC	-
47	NC	-	48	NC	-
49	GND	-	50	NC	-
51	NC	-	52	NC	-
53	NC	-	54	NC	-
55	D+	I/O	56	D-	I/O
57	NC	-	58	NC	-
59	MDMRNG	I/O	60	MDMTIP	I/O
61	DCOUT	-	62	DCOUT	-
63	EJECTRO#	I/O	64	IF_P5V	-
65	MOUSDT	I/O	66	EXKBDT	I/O
67	GND	-	68	NC	-
69	IF_P5V	-	70	NC	-
71	GND	-	72	CRT_DDCDATA	I/O
73	GND	-	74	GND	-
75	GND	-	76	DHSYNC	I/O
77	DVISD	I/O	78	NC	-
79	GND	-	80	DVITX5+	I/O
81	DVITX5-	I/O	82	DVITX4+	I/O
83	DVITX4-	I/O	84	DVITX3+	I/O
85	DVITX3-	I/O	86	NC	-
87	NC	-	88	GND	-
89	GND	-	90	NC	-

Table C-14 DOCKING Connector pin assignments (240-Pin)(3/5)

91	NC	-	92	NC	-
93	NC	-	94	NC	-
95	NC	-	96	NC	-
97	GND	-	98	NC	-
99	NC	-	100	NC	-
101	GND	-	102	NC	-
103	NC	-	104	NC	-
105	GND	-	106	NC	-
107	NC	-	108	NC	-
109	GND	-	110	NC	-
111	NC	-	112	NC	-
113	NC	-	114	NC	-
115	C-	I/O	116	NC	-
117	C+	I/O	118	NC	-
119	NC	-	120	NC	-
121	DCOUT	-	122	DCOUT	-
123	DOCK_I2C_CLK	I/O	124	IF_P5V	-
125	+V5A	-	126	1394_TPA1P	I/O
127	GND	-	128	1394_TPB1P	I/O
129	USB_PWR_EN	I/O	130	USB_OC#0	I/O
131	GND	-	132	USB_PWR_EN	I/O
133	USB_OC#1	I/O	134	SHUTDOWN#	I/O
135	NC	-	136	DOUTL+	I/O
137	DINL+	I/O	138	DINR-	I/O
139	GND	-	140	PWR_ON#	I/O
141	DDCD#_3	I/O	142	DDSR#_3	I/O
143	DTXD_3	I/O	144	DRI#_3	I/O
145	PE_5	I/O	146	PDATA(7)	I/O
147	PDATA(6)	I/O	148	GND	-
149	GND	-	150	PDATA(4)	I/O
151	PDATA(1)	I/O	152	PDATA(2)	I/O
153	PDATA(0)	I/O	154	STRB#_5	I/O
155	NC	-	156	NC	-
157	GND	-	158	NC	-
159	NC	-	160	NC	-
161	GND	-	162	NC	-

Table C-14 DOCKING Connector pin assignments (240-Pin)(4/5)

163	NC	-	164	NC	-
165	GND	-	166	NC	-
167	NC	-	168	NC	-
169	GND	-	170	NC	-
171	NC	-	172	NC	-
173	GND	-	174	NC	-
175	+V3_LAN	-	176	NC	-
177	NC	-	178	NC	-
179	TD+	I/O	180	TD-	I/O
181	DCOUT	-	182	DCOUT	-
183	DOCK_I2C_DATA	I/O	184	IF_P5V	-
185	NC	-	186	1394_TPA1N	I/O
187	GND	-	188	1394_TPB1N	I/O
189	USB_P4+	I/O	190	USB_P4-	I/O
191	GND	-	192	USB_P5+	I/O
193	USB_P5-	I/O	194	DOUTR+	I/O
195	DOUTR-	I/O	196	DOUTL-	I/O
197	DINL-	I/O	198	DINR+	I/O
199	GND	-	200	DRXD_3	I/O
201	DRTS_3	I/O	202	DCTS_3	I/O
203	DDTR#_3	I/O	204	SLCT_5	I/O
205	BUSY_5	I/O	206	ACK#_5	I/O
207	PDATA(5)	I/O	208	GND	-
209	GND	-	210	PDATA(3)	I/O
211	SLCTIN#_5	I/O	212	PINIT#_5	I/O
213	ERROR#_5	I/O	214	ALF#_5	I/O
215	NC	-	216	NC	-
217	GND	-	218	NC	-
219	NC	-	220	NC	-
221	GND	-	222	NC	-
223	NC	-	224	NC	-
225	GND	-	226	NC	-
227	NC	-	228	NC	-
229	GND	-	230	NC	-
231	NC	-	232	NC	-
233	GND	-	234	LED_R3S_LANACT#	I/O

Table C-14 DOCKING Connector pin assignments (240-Pin)(5/5)

235	LED_R3S_LANLINK#	I/O	236	DOCDT2#	I/O
237	NC	-	238	NC	-
239	RD+	I/O	240	RD-	I/O

C.15 CN504 Parallel Port Connector (25-Pin)

Table C-15 Parallel Port Connector pin assignments (25-Pin)

Pin No.	Signal Name	I/O	Pin No.	Signal Name	I/O
1	STRB#_5R	I/O	2	PDATA(0)_R	I/O
3	PDATA(1)_R	I/O	4	PDATA(2)_R	I/O
5	PDATA(3)_R	I/O	6	PDATA(4)_R	I/O
7	PDATA(5)_R	I/O	8	PDATA(5)_R	I/O
9	PDATA(7)_R	I/O	10	ACK#_5R	I/O
11	BUSY#_5R	I/O	12	PE_5R	I/O
13	SLCT_5R	I/O	14	ALF#_5R	I/O
15	ERROR#_5R	I/O	16	PINIT#_5R	I/O
17	SLCTIN#_5R	I/O	18	GND	-
19	GND	-	20	GND	-
21	GND	-	22	GND	-
23	GND	-	24	GND	-
25	GND	-			

C.16 CN505 LAN Connector (15-Pin)

Table C-16 LAN Connector pin assignments (15-Pin)

Pin No.	Signal Name	I/O	Pin No.	Signal Name	I/O
1	+V3_LAN	-	2	+V3_LAN	-
3	TD+	0	4	TD	0
5	RD+	0	6	C+	0
7	C-	0	8	RD-	0
9	D+	0	10	D-	0
11	GND	-	12	LED_R3S_LANLINK#	0
13	LED_R3S_LANACT#	0	14	MDMTIP	0
15	MDMRNG	0			

C.17 CN507 External Monitor Connector (15-Pin)

Table C-17 External Monitor Connector pin assignments (15-Pin)

Pin No.	Signal Name	I/O	Pin No.	Signal Name	I/O
1	RED	0	2	GREEN	0
3	BLUE	0	4	NC	-
5	GND	-	6	GND	-
7	GND	-	8	GND	-
9	+V5S	-	10	GND	-
11	NC	-	12	CRT_DDCDATA	I/O
13	HSYNC	0	14	VSYNC	0
15	CRT_DDCCLK	I/O			

C.18 CN508 ODD Connector (50-Pin)

Table C-18 ODD Connector pin assignments (50-Pin)(1/2)

Pin No.	Signal Name	I/O	Pin No.	Signal Name	I/O
1	NC	-	2	NC	-
3	+V5S	-	4	GND	-
5	GND	-	6	GND	-
7	GND	-	8	GND	-
9	+V5S	-	10	+V5S	-
11	+V5S	-	12	+V5S	-
13	MBDASP#_5	I	14	+V5S	-
15	PIDE_3S_CS#(0)	O	16	PIDE_3S_CS#(1)	O
17	PIDE_3S_A(0)	I/O	18	PIDE_3S_A(2)	I/O
19	PIDE_3S_A(1)	I/O	20	NC	-
21	PIDE_3S_IRQ	I	22	NC	-
23	PIDE_3S_IORDY	I	24	PIDE_3S_DACK#	O
25	PIDE_3S_IOW#	O	26	GND	-
27	GND	-	28	PIDE_3S_IOR#	O
29	PIDE_3S_D(0)	I/O	30	PIDE_3S_DREQ	I
31	PIDE_3S_D(1)	I/O	32	PIDE_3S_D(15)	I/O
33	PIDE_3S_D(2)	I/O	34	PIDE_3S_D(14)	I/O
35	PIDE_3S_D(3)	I/O	36	PIDE_3S_D(13)	I/O
37	PIDE_3S_D(4)	I/O	38	PIDE_3S_D(12)	I/O
39	PIDE_3S_D(5)	I/O	40	PIDE_3S_D(11)	I/O

Table C-18 ODD Connector pin assignments (50-Pin)(2/2)

41	PIDE_3S_D(6)	I/O	42	PIDE_3S_D(10)	I/O
43	PIDE_3S_D(7)	I/O	44	PIDE_3S_D(9)	I/O
45	PCI_3S_RST#	0	46	PIDE_3S_D(8)	I/O
47	A_CD_GND	I/O	48	NC	-
49	A_CD_L	I/O	50	A_CD_R	I/O

C.19 CN509 Memory Slot SO DIMM#1 Connector (200-Pin)

Table C-19 Memory Slot SO DIMM#1 Connector pin assignments (200-Pin)(1/4)

Pin No.	Signal Name	I/O	Pin No.	Signal Name	I/O
1	M_VREF	0	2	NC	-
3	GND	-	4	GND	-
5	MA_DATA_R(0)	I/O	6	MA_DATA_R(4)	I/O
7	MA_DATA_R(1)	I/O	8	MA_DATA_R(5)	I/O
9	+V2.5	-	10	+V2.5	-
11	MA_DQS_R(0)	0	12	MA_DM_R(0)	0
13	MA_DATA_R(2)	I/O	14	MA_DATA_R(6)	I/O
15	GND	-	16	GND	-
17	MA_DATA_R(3)	I/O	18	MA_DATA_R(7)	I/O
19	MA_DATA_R(8)	I/O	20	MA_DATA_R(12)	I/O
21	+V2.5	-	22	+V2.5	-
23	MA_DATA_R(9)	I/O	24	MA_DATA_R(13)	I/O
25	MA_DQS_R(1)	0	26	MA_DM_R(1)	0
27	GND	-	28	GND	-
29	MA_DATA_R(10)	I/O	30	MA_DATA_R(14)	I/O
31	MA_DATA_R(11)	I/O	32	MA_DATA_R(15)	I/O
33	+V2.5	-	34	+V2.5	-
35	M_CLK_DDR3	0	36	+V2.5	-
37	M_CLK_DDR3#	0	38	GND	-
39	GND	-	40	GND	-
41	MA_DATA_R(16)	I/O	42	MA_DATA_R(20)	I/O
43	MA_DATA_R(17)	I/O	44	MA_DATA_R(21)	I/O
45	+V2.5	-	46	+V2.5	-
47	MA_DQS_R(2)	0	48	MA_DM_R(2)	0

Table C-19 Memory Slot SO DIMM#1 Connector pin assignments (200-Pin)(2/4)

49	MA_DATA_R(18)	I/O	50	MA_DATA_R(22)	I/O
51	GND	-	52	GND	-
53	MA_DATA_R(19)	I/O	54	MA_DATA_R(23)	I/O
55	MA_DATA_R(24)	I/O	56	MA_DATA_R(28)	I/O
57	+V2.5	-	58	+V2.5	-
59	MA_DATA_R(25)	I/O	60	MA_DATA_R(29)	I/O
61	MA_DQS_R(3)	0	62	MA_DM_R(3)	0
63	GND	-	64	GND	-
65	MA_DATA_R(26)	I/O	66	MA_DATA_R(30)	I/O
67	MA_DATA_R(27)	I/O	68	MA_DATA_R(31)	I/O
69	+V2.5	-	70	+V2.5	-
71	GND	-	72	GND	-
73	GND	-	74	GND	-
75	GND	-	76	GND	-
77	GND	-	78	GND	-
79	GND	-	80	GND	-
81	+V2.5	-	82	+V2.5	-
83	GND	-	84	GND	-
85	NC	-	86	GND	-
87	GND	-	88	GND	-
89	+V2.5	-	90	GND	-
91	GND	-	92	+V2.5	-
93	+V2.5	-	94	+V2.5	-
95	M_CKE3	0	96	M_CKE2	0
97	MB_A(13)	I/O	98	GND	-
99	MB_A(12)	I/O	100	MB_A(11)	I/O
101	MB_A(9)	I/O	102	MB_A(8)	I/O
103	GND	-	104	GND	-
105	MB_A(7)	I/O	106	MB_A(6)	I/O
107	MB_A(5)	I/O	108	MB_A(4)	I/O
109	MB_A(3)	I/O	110	MB_A(2)	I/O
111	MB_A(1)	I/O	112	MB_A(0)	I/O
113	+V2.5	-	114	+V2.5	-
115	MB_A(10)	I/O	116	MB_BS1#	0
117	MB_BS0#	0	118	MB_RAS#	0
119	MB_WE#	0	120	MB_CAS#	0

Table C-19 Memory Slot SO DIMM#1 Connector pin assignments (200-Pin)(3/4)

121	M_CS2#	0	122	M_CS3#	0
123	NC	-	124	NC	-
125	GND	-	126	GND	-
127	MA_DATA_R(32)	I/O	128	MA_DATA_R(36)	I/O
129	MA_DATA_R(33)	I/O	130	MA_DATA_R(37)	I/O
131	+V2.5	-	132	+V2.5	-
133	MA_DQS_R(4)	0	134	MA_DM_R(4)	0
135	MA_DATA_R(34)	I/O	136	MA_DATA_R(38)	-
137	GND	-	138	GND	-
139	MA_DATA_R(35)	I/O	140	MA_DATA_R(39)	I/O
141	MA_DATA_R(40)	I/O	142	MA_DATA_R(44)	I/O
143	+V2.5	-	144	+V2.5	-
145	MA_DATA_R(41)	I/O	146	MA_DATA_R(45)	I/O
147	MA_DQS_R(5)	0	148	MA_DM_R(5)	0
149	GND	-	150	GND	-
151	MA_DATA_R(42)	I/O	152	MA_DATA_R(46)	I/O
153	MA_DATA_R(43)	I/O	154	MA_DATA_R(47)	I/O
155	+V2.5	-	156	+V2.5	-
157	+V2.5	-	158	M_CLK_DDR4#	0
159	GND	-	160	M_CLK_DDR4	0
161	GND	-	162	GND	-
163	MA_DATA_R(48)	I/O	164	MA_DATA_R(52)	I/O
165	MA_DATA_R(49)	I/O	166	MA_DATA_R(53)	I/O
167	+V2.5	-	168	+V2.5	-
169	MA_DQS_R(6)	0	170	MA_DM_R(6)	0
171	MA_DATA_R(50)	I/O	172	MA_DATA_R(54)	I/O
173	GND	-	174	GND	-
175	MA_DATA_R(51)	I/O	176	MA_DATA_R(55)	I/O
177	MA_DATA_R(56)	I/O	178	MA_DATA_R(60)	I/O
179	+V2.5	-	180	+V2.5	-
181	MA_DATA_R(57)	I/O	182	MA_DATA_R(61)	I/O
183	MA_DQS_R(7)	0	184	MA_DM_R(7)	0
185	GND	-	186	GND	-
187	MA_DATA_R(58)	I/O	188	MA_DATA_R(62)	I/O
189	MA_DATA_R(59)	I/O	190	MA_DATA_R(63)	I/O
191	+V2.5	-	192	+V2.5	-

Table C-19 Memory Slot SO DIMM#1 Connector pin assignments (200-Pin)(4/4)

193	ICH_3S_SMDATA	I/O	194	+V3S	-
195	ICH_3S_SMCLK	I/O	196	GND	-
197	+V3S	-	198	GND	-
199	NC	-	200	NC	-

C.20 CN510 Memory Slot SO DIMM#0 Connector (200-Pin)

Table C-20 Memory Slot SO DIMM#0 Connector pin assignments (200-Pin)(1/4)

Pin No.	Signal Name	I/O	Pin No.	Signal Name	I/O
1	M_VREF	O	2	NC	-
3	GND	-	4	GND	-
5	MA_DATA_R(0)	I/O	6	MA_DATA_R(4)	I/O
7	MA_DATA_R(1)	I/O	8	MA_DATA_R(5)	I/O
9	+V2.5	-	10	+V2.5	-
11	MA_DQS_R(0)	O	12	MA_DM_R(0)	O
13	MA_DATA_R(2)	I/O	14	MA_DATA_R(6)	I/O
15	GND	-	16	GND	-
17	MA_DATA_R(3)	I/O	18	MA_DATA_R(7)	I/O
19	MA_DATA_R(8)	I/O	20	MA_DATA_R(12)	I/O
21	+V2.5	-	22	+V2.5	-
23	MA_DATA_R(9)	I/O	24	MA_DATA_R(13)	I/O
25	MA_DQS_R(1)	O	26	MA_DM_R(1)	O
27	GND	-	28	GND	-
29	MA_DATA_R(10)	I/O	30	MA_DATA_R(14)	I/O
31	MA_DATA_R(11)	I/O	32	MA_DATA_R(15)	I/O
33	+V2.5	-	34	+V2.5	-
35	M_CLK_DDR0	O	36	+V2.5	-
37	M_CLK_DDR0#	O	38	GND	-
39	GND	-	40	GND	-
41	MA_DATA_R(16)	I/O	42	MA_DATA_R(20)	I/O
43	MA_DATA_R(17)	I/O	44	MA_DATA_R(21)	I/O
45	+V2.5	-	46	+V2.5	-
47	MA_DQS_R(2)	O	48	MA_DM_R(2)	O

Table C-20 Memory Slot SO DIMM#0 Connector pin assignments (200-Pin)(2/4)

49	MA_DATA_R(18)	I/O	50	MA_DATA_R(22)	I/O
51	GND	-	52	GND	-
53	MA_DATA_R(19)	I/O	54	MA_DATA_R(23)	I/O
55	MA_DATA_R(24)	I/O	56	MA_DATA_R(28)	I/O
57	+V2.5	-	58	+V2.5	-
59	MA_DATA_R(25)	I/O	60	MA_DATA_R(29)	I/O
61	MA_DQS_R(3)	O	62	MA_DM_R(3)	O
63	GND	-	64	GND	-
65	MA_DATA_R(26)	I/O	66	MA_DATA_R(30)	I/O
67	MA_DATA_R(27)	I/O	68	MA_DATA_R(31)	I/O
69	+V2.5	-	70	+V2.5	-
71	GND	-	72	GND	-
73	GND	-	74	GND	-
75	GND	-	76	GND	-
77	GND	-	78	GND	-
79	GND	-	80	GND	-
81	+V2.5	-	82	+V2.5	-
83	GND	-	84	GND	-
85	NC	-	86	GND	-
87	GND	-	88	GND	-
89	+V2.5	-	90	GND	-
91	GND	-	92	+V2.5	-
93	+V2.5	-	94	+V2.5	-
95	M_CKE1	O	96	M_CKE0	O
97	MA_A(13)	I/O	98	GND	-
99	MA_A(12)	I/O	100	MA_A(11)	I/O
101	MA_A(9)	I/O	102	MA_A(8)	I/O
103	GND	-	104	GND	-
105	MA_A(7)	I/O	106	MA_A(6)	I/O
107	MA_A(5)	I/O	108	MA_A(4)	I/O
109	MA_A(3)	I/O	110	MA_A(2)	I/O
111	MA_A(1)	I/O	112	MA_A(0)	I/O
113	+V2.5	-	114	+V2.5	-
115	MA_A(10)	I/O	116	MA_BS1#	O
117	MA_BS0#	O	118	MA_RAS#	O
119	MA_WE#	O	120	MA_CAS#	O

Table C-20 Memory Slot SO DIMM#0 Connector pin assignments (200-Pin)(3/4)

121	M_CS0#	O	122	M_CS1#	O
123	NC	-	124	NC	-
125	GND	-	126	GND	-
127	MA_DATA_R(32)	I/O	128	MA_DATA_R(36)	I/O
129	MA_DATA_R(33)	I/O	130	MA_DATA_R(37)	I/O
131	+V2.5	-	132	+V2.5	-
133	MA_DQS_R(4)	O	134	MA_DM_R(4)	O
135	MA_DATA_R(34)	I/O	136	MA_DATA_R(38)	I/O
137	GND	-	138	GND	-
139	MA_DATA_R(35)	I/O	140	MA_DATA_R(39)	I/O
141	MA_DATA_R(40)	I/O	142	MA_DATA_R(44)	I/O
143	+V2.5	-	144	+V2.5	-
145	MA_DATA_R(41)	I/O	146	MA_DATA_R(45)	I/O
147	MA_DQS_R(5)	O	148	MA_DM_R(5)	O
149	GND	-	150	GND	-
151	MA_DATA_R(42)	I/O	152	MA_DATA_R(46)	I/O
153	MA_DATA_R(43)	I/O	154	MA_DATA_R(47)	I/O
155	+V2.5	-	156	+V2.5	-
157	+V2.5	-	158	M_CLK_DDR1#	O
159	GND	-	160	M_CLK_DDR1	O
161	GND	-	162	GND	-
163	MA_DATA_R(48)	I/O	164	MA_DATA_R(52)	I/O
165	MA_DATA_R(49)	I/O	166	MA_DATA_R(53)	I/O
167	+V2.5	-	168	+V2.5	-
169	MA_DQS_R(6)	O	170	MA_DM_R(6)	O
171	MA_DATA_R(50)	I/O	172	MA_DATA_R(54)	I/O
173	GND	-	174	GND	-
175	MA_DATA_R(51)	I/O	176	MA_DATA_R(55)	I/O
177	MA_DATA_R(55)	I/O	178	MA_DATA_R(60)	I/O
179	+V2.5	-	180	+V2.5	-
181	MA_DATA_R(57)	I/O	182	MA_DATA_R(61)	I/O
183	MA_DQS_R(7)	O	184	MA_DQS_R(7)	O
185	GND	-	186	GND	-
187	MA_DATA_R(58)	I/O	188	MA_DATA_R(62)	I/O
189	MA_DATA_R(59)	I/O	190	MA_DATA_R(63)	I/O
191	+V2.5	-	192	+V2.5	-

Table C-20 Memory Slot SO DIMM#0 Connector pin assignments (200-Pin)(4/4)

193	ICH_3S_SMDATA	I/O	194	GND	-
195	ICH_3S_SMCLK	I/O	196	GND	-
197	+V3S	-	198	GND	-
199	NC	-	200	GND	-

C.21 CN511 VGA Card Connector (232-Pin)

Table C-21 VGA Card Connector pin assignments (232-Pin)(1/4)

Pin No.	Signal Name	I/O	Pin No.	Signal Name	I/O
1	+VBAT	-	2	+V2.5S	-
3	+VBAT	-	4	+V2.5S	-
5	+VBAT	-	6	+V2.5S	-
7	+VBAT	-	8	+V2.5S	-
9	+VBAT	-	10	+V2.5S	-
11	+VBAT	-	12	+V2.5S	-
13	+VBAT	-	14	+V2.5S	-
15	+VBAT	-	16	SLP_S3#_3R	O
17	NC	-	18	+V5A	-
19	GND	-	20	NC	-
21	GND	-	22	GND	-
23	GND	-	24	GND	-
25	NC	-	26	NC	-
27	NC	-	28	NC	-
29	NC	-	30	NC	-
31	NC	-	32	NC	-
33	NC	-	34	NC	-
35	NC	-	36	NC	-
37	PEG_C_RXN(15)	O	38	GND	-
39	PEG_C_RXP(15)	O	40	PEG_C_TXN(15)	I/O
41	GND	-	42	PEG_C_TXP(15)	I/O
43	PEG_C_RXN(14)	O	44	GND	-
45	PEG_C_RXP(14)	O	46	PEG_C_TXN(14)	I/O
47	GND	-	48	PEG_C_TXP(14)	I/O
49	PEG_C_RXN(13)	O	50	GND	-
51	PEG_C_RXP(13)	O	52	PEG_C_TXN(13)	I/O

Table C-21 VGA Card Connector pin assignments (232-Pin)(2/4)

53	GND	-	54	PEG_C_TXP(13)	I/O
55	PEG_C_RXN(12)	O	56	GND	-
57	PEG_C_RXP(12)	O	58	PEG_C_TXN(12)	I/O
59	GND	-	60	PEG_C_TXP(12)	I/O
61	PEG_C_RXN(11)	O	62	GND	-
63	PEG_C_RXP(11)	O	64	PEG_C_TXN(11)	I/O
65	GND	-	66	PEG_C_TXP(11)	I/O
67	PEG_C_RXN(10)	O	68	GND	-
69	PEG_C_RXP(10)	O	70	PEG_C_TXN(10)	I/O
71	GND	-	72	PEG_C_TXP(10)	I/O
73	PEG_C_RXN(9)	O	74	GND	-
75	PEG_C_RXP(9)	O	76	PEG_C_TXN(9)	I/O
77	GND	-	78	PEG_C_TXP(9)	I/O
79	PEG_C_RXN(8)	O	80	GND	-
81	PEG_C_RXP(8)	O	82	PEG_C_TXN	I/O
83	GND	-	84	PEG_C_TXP(8)	I/O
85	PEG_C_RXN(7)	O	86	GND	-
87	PEG_C_RXP(7)	O	88	PEG_C_TXN(7)	I/O
89	GND	-	90	PEG_C_TXP(7)	I/O
91	PEG_C_RXN(6)	O	92	GND	-
93	PEG_C_RXP(6)	O	94	PEG_C_TXN(6)	I/O
95	GND	-	96	PEG_C_TXP(6)	I/O
97	PEG_C_RXN(5)	O	98	GND	-
99	PEG_C_RXP(5)	O	100	PEG_C_TXN(5)	I/O
101	GND	-	102	PEG_C_TXP(5)	I/O
103	PEG_C_RXN(4)	O	104	GND	-
105	PEG_C_RXP(4)	O	106	PEG_C_TXN(4)	I/O
107	GND	-	108	PEG_C_TXP(4)	I/O
109	PEG_C_RXN(3)	O	110	GND	-
111	PEG_C_RXP(3)	O	112	PEG_C_TXN(3)	I/O
113	GND	-	114	PEG_C_TXP(3)	I/O
115	PEG_C_RXN(2)	O	116	GND	-
117	PEG_C_RXP(2)	O	118	PEG_C_TXN(2)	I/O
119	GND	-	120	PEG_C_TXP(2)	I/O
121	PEG_C_RXN(1)	O	122	GND	-
123	PEG_C_RXP(1)	O	124	PEG_C_TXN(1)	I/O

Table C-21 VGA Card Connector pin assignments (232-Pin)(3/4)

125	GND	-	126	PEG_C_TXP(1)	I/O
127	PEG_C_RXN(0)	0	128	GND	-
129	PEG_C_RXP(0)	0	130	PEG_C_TXN(0)	I/O
131	GND	-	132	PEG_C_TXP(0)	I/O
133	CLK_R_PEG_REF#	I/O	134	GND	-
135	CLK_R_PEG_REF	I/O	136	SVID_CHROMA	O
137	GND	-	138	GND	-
139	PCIE_RST#		140	SVID_LUMA	O
141	NC	-	142	GND	-
143	NC	-	144	NC	-
145	SMB_DATA_CARD	I/O	146	GND	-
147	SMB_CLK_CARD	I/O	148	CRT_R	O
149	THRM_SHUTDWN#	O	150	GND	-
151	CRT_HSYNC	O	152	CRT_G	O
153	CRT_VSYNC	O	154	GND	-
155	CRT_DDCCLK	I/O	156	CRT_B	O
157	CRT_DDCDATA	I/O	158	GND	-
159	SLP_S3_3R	O	160	LVDS_TXCU-	O
161	NC	-	162	LVDS_TXCU+	O
163	GND	-	164	GND	-
165	NC	-	166	NC	-
167	+V5S	-	168	NC	-
169	NC	-	170	GND	-
171	+V1.5S	-	172	LVDS_TXDU2-	O
173	+V1.5S	-	174	LVDS_TXDU2+	O
175	NC	-	176	GND	-
177	+V1.5S	-	178	LVDS_TXDU1-	O
179	+V1.5S	-	180	LVDS_TXDU1+	O
181	NC	-	182	GND	-
183	+V1.5S	-	184	LVDS_TXDU0-	O
185	+V1.5S	-	186	LVDS_TXDU0+	O
187	NC	-	188	GND	-
189	NC	-	190	LVDS_TXCL-	O
191	NC	-	192	LVDS_TXCL+	O
193	NC	-	194	GND	-
195	NC	-	196	NC	-

Table C-21 VGA Card Connector pin assignments (232-Pin)(4/4)

197	NC	-	198	NC	-
199	GND	-	200	GND	-
201	DVITX5-	I/O	202	LVDS_TXDL2-	O
203	DVITX5+	I/O	204	LVDS_TXDL2+	O
205	GND	-	206	GND	-
207	DVITX4-	I/O	208	LVDS_TXDL1-	O
209	DVITX4+	I/O	210	LVDS_TXDL1+	O
211	GND	-	212	GND	-
213	LVDS_TXDL1+	I/O	214	LVDS_TXDL0-	O
215	DVITX3+	I/O	216	LVDS_TXDL0+	O
217	DVIDET#	I/O	218	GND	-
219	DVITXC-	I/O	220	LCM_DDCPDATA_3S	I/O
221	DVITXC+	I/O	222	LCM_DDCPCLK_3S	I/O
223	GND	-	224	LCM_3S_VDDEN	O
225	DVITX2-	I/O	226	INV_PWM_3	O
227	DVITX2+	I/O	228	LCM_3S_BKLTEN	O
229	GND	-	230	DVISD	I/O
231	DVITX1-	I/O	232	DVISC	I/O

C.22 CN512 USB#2 Connector (6-Pin)

Table C-22 USB#2 Connector pin assignments (6-Pin)

Pin No.	Signal Name	I/O	Pin No.	Signal Name	I/O
1	USBVCC2	-	2	USB_L_P2-	I/O
3	USB_L_P2+	I/O	4	GND	-
5	GND	-	6	GND	-

C.23 CN513 FAN Connector (5-Pin)

Table C-23 FAN Connector pin assignments (5-Pin)

Pin No.	Signal Name	I/O	Pin No.	Signal Name	I/O
1	+V5S	-	2	GND	-
3	FAN_TACH1	O	4	GND	-
5	GND	-			

C.24 CN514 HDD Connector (44-Pin)*Table C-24 HDD Connector pin assignments (44-Pin)*

Pin No.	Signal Name	I/O	Pin No.	Signal Name	I/O
1	NC	-	2	GND	-
3	+V5S	-	4	+V5S	-
5	GND	-	6	HDDASP#_5	I
7	IDE_3S_CS#(1)	O	8	IDE_3S_CS#(0)	O
9	IDE_3S_A(2)	I/O	10	IDE_3S_A(0)	I/O
11	NC	-	12	IDE_3S_A(1)	I/O
13	NC	-	14	IDE_3S_IRQ	I
15	GND	-	16	IDE_3S_DACK#	O
17	GND	-	18	IDE_3S_IORDY	I
19	GND	-	20	IDE_3S_IOR#	O
21	GND	-	22	IDE_3S_IOW#	O
23	GND	-	24	IDE_3S_DREQ	I
25	NC	-	26	NC	-
27	IDE_3S_D(15)	I/O	28	IDE_3S_D(0)	I/O
29	IDE_3S_D(14)	I/O	30	IDE_3S_D(1)	I/O
31	IDE_3S_D(13)	I/O	32	IDE_3S_D(2)	I/O
33	IDE_3S_D(12)	I/O	34	IDE_3S_D(3)	I/O
35	IDE_3S_D(11)	I/O	36	IDE_3S_D(4)	I/O
37	IDE_3S_D(10)	I/O	38	IDE_3S_D(5)	I/O
39	IDE_3S_D(9)	I/O	40	IDE_3S_D(6)	I/O
41	IDE_3S_D(8)	I/O	42	IDE_3S_D(7)	I/O
43	GND	-	44	IDE_RST#	O

C.25 CN515 PCMCIA Card Connector (68-Pin)*Table C-25 PCMCIA Card Connector pin assignment (68-Pin)(1/2)*

Pin No.	Signal Name	I/O	Pin No.	Signal Name	I/O
1	GND	-	2	ACARD_3S_AD0	I/O
3	ACARD_3S_AD1	I/O	4	ACARD_3S_AD3	I/O
5	ACARD_3S_AD5	I/O	6	ACARD_3S_AD7	I/O
7	ACARD_3S_CBE0#	I/O	8	ACARD_3S_AD9	I/O
9	ACARD_3S_AD11	I/O	10	ACARD_3S_AD12	I/O
11	ACARD_3S_AD14	I/O	12	ACARD_3S_CBE1#	I/O

Table C-25 PCMCIA Card Connector pin assignment (68-Pin)(2/2)

13	ACARD_3S_PAR	I/O	14	ACARD_3S_PERR#	I/O
15	ACARD_3S_GNT#	I/O	16	ACARD_3S_INT#	I/O
17	ACARDVCC	-	18	ACARDVPP	-
19	ACRD_3S_CLK	I/O	20	ACARD_3S_IRDY#	I/O
21	ACARD_3S_CBE2#	I/O	22	ACARD_3S_AD18	I/O
23	ACARD_3S_AD20	I/O	24	ACARD_3S_AD21	I/O
25	ACARD_3S_AD22	I/O	26	ACARD_3S_AD23	I/O
27	ACARD_3S_AD24	I/O	28	ACARD_3S_AD25	I/O
29	ACARD_3S_AD26	I/O	30	ACARD_3S_AD27	I/O
31	ACARD_3S_AD29	I/O	32	ACARD_3S_D(2)_RFU	I/O
33	ACARD_3S_CLKRUN#	I/O	34	GND	-
35	GND	-	36	ACARD_3S_CD1#	I/O
37	ACARD_3S_AD2	I/O	38	ACARD_3S_AD4	I/O
39	ACARD_3S_AD6	I/O	40	ACARD_3S_D(14)_RFU	I/O
41	ACARD_3S_AD8	I/O	42	ACARD_3S_AD10	I/O
43	ACARD_3S_VS1#	I/O	44	ACARD_3S_AD13	I/O
45	ACARD_3S_AD15	I/O	46	ACARD_3S_AD16	I/O
47	ACARD_3S_A18_RFU	I/O	48	ACARD_3S_BLOCK#	I/O
49	ACARD_3S_STOP#	I/O	50	ACARD_3S_DEVSEL#	I/O
51	ACARDVCC	-	52	ACARDVPP	-
53	ACARD_3S_TRDY#	I/O	54	ACARD_3S_FRAME#	I/O
55	ACARD_3S_AD17	I/O	56	ACARD_3S_AD19	I/O
57	ACARD_3S_VS2#	I/O	58	ACARD_3S_RST#	I/O
59	ACARD_3S_SERR#	I/O	160	ACARD_3S_REQ#	I/O
61	ACARD_3S_CBE3#	I/O	62	ACARD_3S_AUDIO	I/O
63	ACARD_3S_STSCHG	I/O	64	ACARD_3S_AD28	I/O
65	ACARD_3S_AD30	I/O	66	ACARD_3S_AD31	I/O
67	ACARD_3S_CD2#	I/O	68	GND	-

C.26 CN516 5 in 1 Card Reader Connector (44-Pin)

Table C-26 5 in 1 Card Reader Connector pin assignments (44-Pin)(1/2)

Pin No.	Signal Name	I/O	Pin No.	Signal Name	I/O
1	GND	-	2	VCC_MC	-
3	VCC_MC	-	4	SD_CDZ	I/O

Table C-26 5 in 1 Card Reader Connector pin assignments (44-Pin)(2/2)

5	SD_WP_SM_CEZ	I/O	6	MS_DATA1_SD_	I/O
7	MS_DATA0_SD_	I/O	8	DAT1_SM_D1	I/O
9	DAT0_SM_D0	-	10	MS_CLK_SD_	I/O
11	VCC_MC	-	12	CLK_SM_ELWPZ	I/O
13	MS_DATA3_SD_	I/O	14	MS_BS_SD_	I/O
15	DAT3_SM_D3	I/O	16	CMD_SM_WEZ	I/O
17	MS_BS_SD_	I/O	18	MS_DATA2_SD_	I/O
19	CMD_SM_WEZ	I/O	20	DAT2_SM_D2	I/O
21	MS_DATA0_SD_	I/O	22	MS_DATA1_SD_	I/O
23	DAT0_SM_D0	I/O	24	DAT1_SM_D1	I/O
25	MS_CDZ	I/O	26	MS_DATA2_SD_	I/O
27	MS_CLK_SD_	I/O	28	DAT2_SM_D2	I/O
29	CLK_SM_ELWPZ	-	30	MS_DATA3_SD_	I/O
31	SM_D4	I/O	32	DAT3_SM_D3	I/O
33	SM_D6	I/O	34	VCC_MC	-
35	NC	-	36	SM_D5	I/O
37	SM_REZ	I/O	38	SM_D7	I/O
39	VCC_MC	-	40	SM_RBZ	I/O
41	MS_DATA3_SD_	I/O	42	SD_WP_SM_CEZ	I/O
43	DAT3_SM_D3	I/O	44	SM_CDZ	I/O
	MS_DATA1_SD_	I/O		MS_DATA2_SD_	I/O
	DAT1_SM_D1	I/O		DAT2_SM_D2	I/O
	MS_CLK_SD_	I/O		MS_DATA0_SD_	I/O
	CLK_SM_ELWPZ	I/O		DAT0_SM_D0	I/O
	SM_ALE	I/O		MS_BS_SD_	I/O
	SM_CDZ	I/O		CMD_SM_WEZ	I/O
	VCC_MC	-		SM_CLE	I/O
	VCC_MC	-		VCC_MC	-
	SM_PHYS_WPZ	I/O		VCC_MC	-
				GND	-

C.27 CN517 MDC Connector (30-Pin)

Table C-27 MDC Connector pin assignments (30-Pin)(1/2)

Pin No.	Signal Name	I/O	Pin No.	Signal Name	I/O
1	NC	-	2	GND	-
3	NC	-	4	PHONE	I/O
5	NC	-	6	NC	-
7	NC	-	8	GND	-
9	NC	-	10	NC	-

11	NC	-	12	NC	-
----	----	---	----	----	---

Table C-27 MDC Connector pin assignments (30-Pin)(2/2)

13	NC	-	14	NC	-
15	GND	-	16	MDC	-
17	MDC	-	18	NC	-
19	GND	-	20	GND	-
21	NC	-	22	AC97_3S_SYNC	I/O
23	AC97_3S_SDOOUT	I/O	24	AC97_3S_SDIN1	I/O
25	AC97_3S_RST#	I/O	26	AC97_3S_SDIN1	I/O
27	GND	-	28	GND	-
29	GND	-	30	MC97_3S_BITCLK	I/O

C.28 CN518 MINI PCI Connector (124-Pin)

Table C-28 MINI PCI Connector pin assignments (124-Pin)(1/3)

Pin No.	Signal Name	I/O	Pin No.	Signal Name	I/O
1	NC	-	2	NC	-
3	NC	-	4	NC	-
5	NC	-	6	NC	-
7	NC	-	8	NC	-
9	NC	-	10	NC	-
11	NC	-	12	NC	-
13	GND	-	14	NC	-
15	GND	-	16	NC	-
17	PCI_3S_INTB#	I	18	+V5S	-
19	+V5S	-	20	PCI_3S_INTA#	I
21	NC	-	22	NC	-
23	GND	-	24	+V3	-
25	CLK_R3S_MINIPCI	O	26	PCI_3S_RST	I
27	GND	-	28	+V3S	-
29	PCI_3S_REQ#(0)	I	30	PCI_3S_GNT#(0)	I/O
31	+V3S	-	32	GND	-
33	PCI_3S_AD(31)	I/O	34	PCI_3S_PME#	I/O
35	PCI_3S_AD(29)	I/O	36	NC	-
37	GND	-	38	PCI_3S_AD(30)	I/O
39	PCI_3S_AD(27)	I/O	40	+V3S	-

41	PCI_3S_AD(25)	I/O	42	PCI_3S_AD(28)	I/O
----	---------------	-----	----	---------------	-----

Table C-28 MINI PCI Connector pin assignments (124-Pin)(2/3)

43	NC	-	44	PCI_3S_AD(26)	I/O
45	PCI_3S_CBE#(3)	I/O	46	PCI_3S_AD(24)	I/O
47	PCI_3S_AD(23)	I/O	48	PCI_3S_AD(20)	I/O
49	GND	-	50	GND	-
51	PCI_3S_AD(21)	I/O	52	PCI_3S_AD(22)	I/O
53	PCI_3S_AD(19)	I/O	54	PCI_3S_AD(20)	I/O
55	GND	-	56	PCI_3S_PAR	I/O
57	PCI_3S_AD(17)	I/O	58	PCI_3S_AD(18)	I/O
59	PCI_3S_CBE#(2)	I/O	60	PCI_3S_AD(16)	I/O
61	PCI_3S_IRDY#	I/O	62	GND	-
63	+V3S	-	64	PCI_3S_FRAME#	I/O
65	PCI_3S_CLKRUN#	I/O	66	PCI_3S_TRDY#	I/O
67	PCI_3S_SERR#	I	68	PCI_3S_STOP#	I/O
69	GND	-	70	+V3S	-
71	PCI_3S_PERR#	I	72	PCI_3S_DEVSEL#	I/O
73	PCI_3S_DEVSEL#	I/O	74	GND	-
75	PCI_3S_AD(14)	I/O	76	PCI_3S_AD(15)	I/O
77	GND	-	78	PCI_3S_AD(13)	I/O
79	PCI_3S_AD(12)	I/O	80	PCI_3S_AD(11)	I/O
81	PCI_3S_AD(10)	I/O	82	GND	-
83	GND	-	84	PCI_3S_AD(9)	I/O
85	PCI_3S_AD(8)	I/O	86	PCI_3S_CBE#(0)	I/O
87	PCI_3S_AD(7)	I/O	88	+V3S	-
89	+V3S	-	90	PCI_3S_AD(6)	I/O
91	PCI_3S_AD(5)	I/O	92	PCI_3S_AD(4)	I/O
93	NC	-	94	PCI_3S_AD(2)	I/O
95	PCI_3S_AD(3)	I/O	96	PCI_3S_AD(0)	I/O
97	+V5S	-	98	NC	-
99	PCI_3S_AD(1)	I/O	100	NC	-
101	GND	-	102	GND	-
103	NC	-	104	GND	-
105	NC	-	106	NC	-
107	NC	-	108	NC	-
109	NC	-	110	NC	-

111	NC	-	112	NC	-
113	GND	-	114	GND	-

Table C-28 MINI PCI Connector pin assignments (124-Pin)(3/3)

115	NC	-	116	NC	-
117	GND	-	118	GND	-
119	GND	-	120	GND	-
121	NC	-	122	NC	-
123	NC	-	124	GND	-

C.29 CN3003 S-VIDEO Connector (4-Pin)

Table C-29 S-VIDEO Connector pin assignments (4-Pin)

Pin No.	Signal Name	I/O	Pin No.	Signal Name	I/O
1	GROUND_USB	-	2	GROUND_USB	-
3	SVID_L_LUMA_DB	O	4	SVID_L_CHROMA_DB	O

C.30 CN3004 1394 Connector (4-Pin)

Table C-30 1394 Connector pin assignments (4-Pin)

Pin No.	Signal Name	I/O	Pin No.	Signal Name	I/O
1	1394_L_TPB0N_DB	I/O	2	1394_L_TPB0P_DB	I/O
3	1394_L_TPA0N_DB	I/O	4	1394_L_TPA0P_DB	I/O

C.31 CN3005 USB#0 Connector (4-Pin)

Table C-31 USB#0 Connector pin assignments (4-Pin)

Pin No.	Signal Name	I/O	Pin No.	Signal Name	I/O
1	USBVCC1_DB	-	2	USB_L_P0-_DB	I/O
3	USB_L_P0+_DB	I/O	4	GROUND_USB	-

C.32 CN3006 USB/B Connector (20-Pin)*Table C-32 USB/B Connector pin assignments (20-Pin)*

Pin No.	Signal Name	I/O	Pin No.	Signal Name	I/O
1	SVID_L_CHROMA_DB	O	2	SVID_L_LUMA_DB	O
3	GROUND_USB	-	4	1394_L_TPA0P_DB	I/O
5	1394_L_TPA0N_DB	I/O	6	GROUND_USB	-
7	1394_L_TPB0P_DB	I/O	8	1394_L_TPB0N_DB	I/O
9	GROUND_USB	-	10	USB_L_P1+_DB	I/O
11	USB_L_P1-_DB	I/O	12	GROUND_USB	-
13	USB_L_P0+_DB	I/O	14	USB_L_P0-_DB	I/O
15	USBVCC1_DB	-	16	USBVCC1_DB	-
17	USBVCC1_DB	-	18	USBVCC1_DB	-
19	USBVCC1_DB	-	20	USBVCC1_DB	-

C.33 CN3007 USB#1 Connector (4-Pin)*Table C-33 USB#1 Connector pin assignments (4-Pin)*

Pin No.	Signal Name	I/O	Pin No.	Signal Name	I/O
1	USBVCC1_DB	-	2	USB_L_P1-_DB	I/O
3	USB_L_P1+_DB	I/O	4	GROUND_USB	-

C.34 JACK500 External Microphone Connector (6-Pin)*Table C-34 External Microphone Connector pin assignments (6-Pin)*

Pin No.	Signal Name	I/O	Pin No.	Signal Name	I/O
1	GND	-	2	MIC	I/O
3	AREF	I/O	4	GND	-
5	GND	-	6	AREF	I/O

C.35 JACK501 Headphone Connector (6-Pin)*Table C-35 Headphone Connector pin assignments (6-Pin)*

Pin No.	Signal Name	I/O	Pin No.	Signal Name	I/O
1	GND	-	2	SPK_OUT_L+	O
3	SPK_OUT_R+	O	4	GND	-
5	GND	-	6	+VAUDIO_5S	-

Appendix D Keyboard Scan/Character Codes

Table D-1 Scan codes (set 1 and set 2) (1/4)

Cap No.	Keytop	Code set 1		Code set 2			Note
		Make	Break	Make	Break		
01	' ~	29	A9	0E	F0	0E	
02	1 !	02	82	16	F0	16	
03	2 @	03	83	1E	F0	1E	
04	3 #	04	84	26	F0	26	
05	4 \$	05	85	25	F0	25	
06	5 %	06	86	2E	F0	2E	
07	6 ^	07	87	36	F0	36	
08	7 &	08	88	3D	F0	3D	*2
09	8 *	09	89	3E	F0	3E	*2
10	9 (0A	8A	46	F0	46	*2
11	0)	0B	8B	45	F0	45	*2
12	- _	0C	8C	4E	F0	4E	
13	= +	0D	8D	55	F0	55	
14				7D	F0	7D	
15	BkSp	0E	8E	66	F0	66	
16	Tab	0F	8F	0D	F0	0D	
17	Q	10	90	15	F0	15	
18	W	11	91	1D	F0	1D	
19	E	12	92	24	F0	24	
20	R	13	93	2D	F0	2D	
21	T	14	94	2C	F0	2C	
22	Y	15	95	35	F0	35	
23	U	16	96	3C	F0	3C	*2
24	I	17	97	43	F0	43	*2
25	O	18	98	44	F0	44	*2
26	P	19	99	4D	F0	4D	*2
27	[{	1A	9A	54	F0	54	
28] }	1B	9B	5B	F0	5B	

Table D-1 Scan codes (set 1 and set 2) (2/4)

Cap No.	Keytop	Code set 1		Code set 2		Note	
		Make	Break	Make	Break		
29	\	2B	AB	5D	F0	5D	*5
30	Caps Lock	3A	BA	58	F0	58	
31	A	1E	9E	1C	F0	1C	
32	S	1F	9F	1B	F0	1B	
33	D	20	A0	23	F0	23	
34	F	21	A1	2B	F0	2B	
35	G	22	A2	34	F0	34	
36	H	23	A3	33	F0	33	
37	J	24	A4	3B	F0	3B	*2
38	K	25	A5	42	F0	42	*2
39	L	26	A6	4B	F0	4B	*2
40	; :	27	A7	4C	F0	4C	*2
41	' "	28	A8	52	F0	52	
43	Enter	1C	9C	5A	F0	5A	*3
44	Shift (L)	2A	AA	12	F0	12	
45	No.102 key	56	D6	61	F0	61	
46	Z	2C	AC	1A	F0	1A	
47	X	2D	AD	22	F0	22	
48	C	2E	AE	21	F0	21	
49	V	2F	AF	2A	F0	2A	
50	B	30	B0	32	F0	32	
51	N	31	B1	31	F0	31	
52	M	32	B2	3A	F0	3A	*2
53	, <	33	B3	41	F0	41	*2
54	. >	34	B4	49	F0	49	*2
55	/ ?	35	B5	4A	F0	4A	*2
56	_			73	F0	73	
57	Shift (R)	36	B6	59	F0	59	

Table D-1 Scan codes (set 1 and set 2) (3/4)

Cap No.	Keytop	Code set 1		Code set 2			Note
		Make	Break	Make	Break		
58	Ctrl	1D	9D	14	F0	14	*3
60	Alt (L)	38	B8	11	F0	11	*3
61	Space	39	B9	29	F0	29	
62	ALT (R)	E0 38	E0 B8	E0 11	E0 F0	11	
75	Ins	E0 52	E0 D2	E0 70	E0 F0	70	*1
76	Del	E0 53	E0 D3	E0 71	E0 F0	71	*1
79	? ?	E0 4B	E0 CB	E0 6B	E0 F0	6B	*1
80	Home	E0 47	E0 C7	E0 6C	E0 F0	6C	*1
81	End	E0 4F	E0 CF	E0 69	E0 F0	69	*1
83	??	E0 48	E0 C8	E0 75	E0 F0	75	*1
84	??	E0 50	E0 D0	E0 72	E0 F0	72	*1
85	PgUp	E0 49	E0 C9	E0 7D	E0 F0	7D	*1
86	PgDn	E0 51	E0 D1	E0 7A	E0 F0	7A	*1
89	? ?	E0 4D	E0 CD	E0 74	E0 F0	74	*1
110	Esc	01	81	76	F0	76	
112	F1	3B	BB	05	F0	05	
113	F2	3C	BC	06	F0	06	
114	F3	3D	BD	04	F0	04	
115	F4	3E	BE	0C	F0	0C	
116	F5	3F	BF	03	F0	03	
117	F6	40	C0	0B	F0	0B	
118	F7	41	C1	83	F0	83	
119	F8	42	C2	0A	F0	0A	
120	F9	43	C3	01	F0	01	
121	F10	44	C4	09	F0	09	*3

Table D-1 Scan codes (set 1 and set 2) (4/4)

Cap No.	Keytop	Code set 1				Code set 2				Note
		Make		Break		Make		Break		
122	F11	57		D7		78		F0 78		*3
123	F12	58		D8		7		F0 7		*3
124	PrintSc	*6		*6		*6		*6		*6
126	Pause	*7		*7		*7		*7		*7
202	Fn	—		—		—		—		*4
203	Win	E0	5B	E0	DB	E0	1F	E0	F0 1F	
204	App	E0	5D	E0	DD	E0	2F	E0	F0 2F	
205	Kat/Hir					70		F0 70		*8
206	Hen					79		F0 79		*8
207	Muh					7B		F0 7B		*8

Notes:

1. * Scan codes differ by mode.
2. * Scan codes differ by overlay function.
3. * Combination with the **Fn** key makes different codes.
4. * **Fn** key does not generate a code by itself.
5. * This key corresponds to key No. 42 in a 102-key model.
6. * Refer to Table D-6, No. 124 key scan code.
7. * Refer to Table D-7, No. 126 key scan code.
8. * 205~207 are for JAPAN keyboard only

Table D-2 Scan codes with left Shift key

Cap No.	Key top	Code set 1				Code set 2			
		Make		Break		Make		Break	
55	/	E0 AA	E0 35	E0 B5	E0 2A	E0 F0	12 E0 4A	E0 F0	4A E0 12
75	INS	E0 AA	E0 52	E0 D2	E0 2A	E0 F0	12 E0 70	E0 F0	70 E0 12
76	DEL	E0 AA	E0 53	E0 D3	E0 2A	E0 F0	12 E0 71	E0 F0	71 E0 12
79	? ?	E0 AA	E0 4B	E0 CB	E0 2A	E0 F0	12 E0 6B	E0 F0	6B E0 12
80	Home	E0 AA	E0 47	E0 C7	E0 2A	E0 F0	12 E0 6C	E0 F0	6C E0 12
81	End	E0 AA	E0 4F	E0 CF	E0 2A	E0 F0	12 E0 69	E0 F0	69 E0 12
83	??	E0 AA	E0 48	E0 C8	E0 2A	E0 F0	12 E0 75	E0 F0	75 E0 12
84	??	E0 AA	E0 50	E0 D0	E0 2A	E0 F0	12 E0 72	E0 F0	72 E0 12
85	PgUp	E0 AA	E0 49	E0 C9	E0 2A	E0 F0	12 E0 7D	E0 F0	7D E0 12
86	PgDn	E0 AA	E0 51	E0 D1	E0 2A	E0 F0	12 E0 7A	E0 F0	7A E0 12
89	? ?	E0 AA	E0 4D	E0 CD	E0 2A	E0 F0	12 E0 74	E0 F0	74 E0 12
203	Win	E0 AA	E0 5B	E0 DB	E0 2A	E0 F0	12 E0 1F	E0 F0	1F E0 12
204	App	E0 AA	E0 5D	E0 DD	E0 2A	E0 F0	12 E0 2F	E0 F0	2F E0 12

Note : The table above shows scan codes with the left **Shift** key. In combination with the right **Shift** key, scan codes are changed as listed below:

	With left Shift	With right Shift
Set 1	E0 AA _____	E0 B6
	E0 2A _____	E0 36
Set 2	E0 F0 12 _____	E0 F0 59
	E0 12 _____	E0 59

Table D-3 Scan codes in Numlock mode

Cap No.	Key top	Code set 1								Code set 2									
		Make				Break				Make				Break					
75	INS	E0	2A	E0	52	E0	D2	E0	AA	E0	12	E0	70	E0	F0	70	E0	F0	12
76	DEL	E0	2A	E0	53	E0	D3	E0	AA	E0	12	E0	71	E0	F0	71	E0	F0	12
79	? ?	E0	2A	E0	4B	E0	CB	E0	AA	E0	12	E0	6B	E0	F0	6B	E0	F0	12
80	Home	E0	2A	E0	47	E0	C7	E0	AA	E0	12	E0	6C	E0	F0	6C	E0	F0	12
81	End	E0	2A	E0	4F	E0	CF	E0	AA	E0	12	E0	69	E0	F0	69	E0	F0	12
83	??	E0	2A	E0	48	E0	C8	E0	AA	E0	12	E0	75	E0	F0	75	E0	F0	12
84	??	E0	2A	E0	50	E0	D0	E0	AA	E0	12	E0	72	E0	F0	72	E0	F0	12
85	PgUp	E0	2A	E0	49	E0	C9	E0	AA	E0	12	E0	7D	E0	F0	7D	E0	F0	12
86	PgDn	E0	2A	E0	51	E0	D1	E0	AA	E0	12	E0	7A	E0	F0	7A	E0	F0	12
89	? ?	E0	2A	E0	4D	E0	CD	E0	AA	E0	12	E0	74	E0	F0	74	E0	F0	12
203	Win	E0	2A	E0	5B	E0	DB	E0	AA	E0	12	E0	1F	E0	F0	1F	E0	F0	12
204	App	E0	2A	E0	5D	E0	DD	E0	AA	E0	12	E0	2F	E0	F0	2F	E0	F0	12

Table D-4 Scan codes with Fn key

Cap No.	Keytop	Code set 1				Code set 2				
		Make		Break		Make		Break		
43	ENT	E0	1C	E0	9C	E0	5A	E0	F0	5A
58	CTRL	E0	1D	E0	9D	E0	14	E0	F0	14
60	LALT	E0	38	E0	B8	E0	11	E0	F0	11
121	ARROW		45		C5		77		F0	77
122	NUMERIC		45		C5		77		F0	77
123	ScrI		46		C5		7E		F0	7E

Table D-5 Scan codes in overlay mode

Cap No.	Keytop		Code set 1				Code set 2			
			Make		Break		Make		Break	
08	7	(7)	47		C7		6C	F0	6C	
09	8	(8)	48		C8		75	F0	75	
10	9	(9)	49		C9		7D	F0	7D	
11	0	(*)	37		B7		7C	F0	7C	
23	U	(4)	4B		CB		6B	F0	6B	
24	I	(5)	4C		CC		73	F0	73	
25	O	(6)	4D		CD		74	F0	74	
26	P	(-)	4A		CA		7B	F0	7B	
37	J	(1)	4F		CF		69	F0	69	
38	K	(2)	50		D0		72	F0	72	
39	L	(3)	51		D1		7A	F0	7A	
40	;	(+)	4E		CE		79	F0	79	
52	M	(0)	52		D2		70	F0	70	
54	.	(.)	53		D3		71	F0	71	
55	/	(/)	E0 35		E0 B5		40 4A	E0 F0	4A	

Table D-6 No.124 key scan code

Key top	Shift	Code set 1				Code set 2			
		Make		Break		Make		Break	
Prt Sc	Common	E0 2A	E0 37	E0 B7	E0 AA	E0 12	E0 7C	E0 F0 7C	E0 F0 12
	Ctrl ?	E0 37		E0 B7		E0 7C		E0 F0 7C	
	Shift ?	E0 37		E0 B7		E0 7C		E0 F0 7C	
	Alt ?		54	D4		84		F0 B4	

Table D-7 No.126 key scan code

Key top	Shift	Code set 1						Code set 2							
		Make						Make							
Pause	Common*	E1	1D	45	E1	9D	C5	E1	14	77	E1	F0	14	F0	77
	Ctrl*	E0	46	E0	C6			E0	7E	E0	F0	7E			

*: This key generates only make codes.

Appendix E Key Layout

E.1 United States (US) Keyboard



Figure E-1 US keyboard

E.2 Japan (JP) Keyboard



Figure E-2 JP keyboard

E.3 Spanish (SP) Keyboard

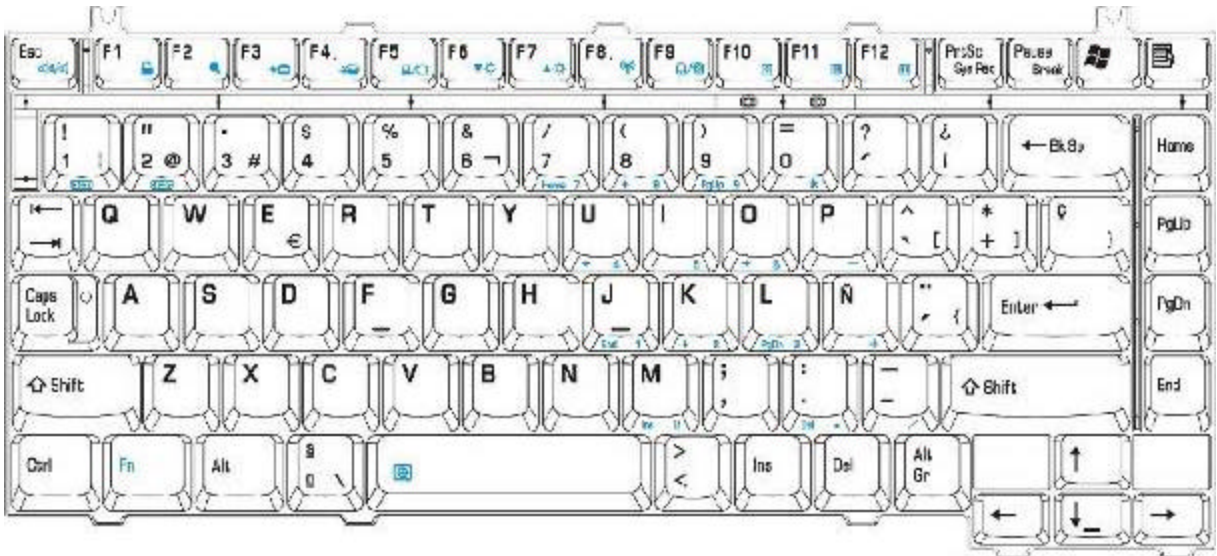


Figure E-3 SP keyboard

E.4 Korean (KR) Keyboard

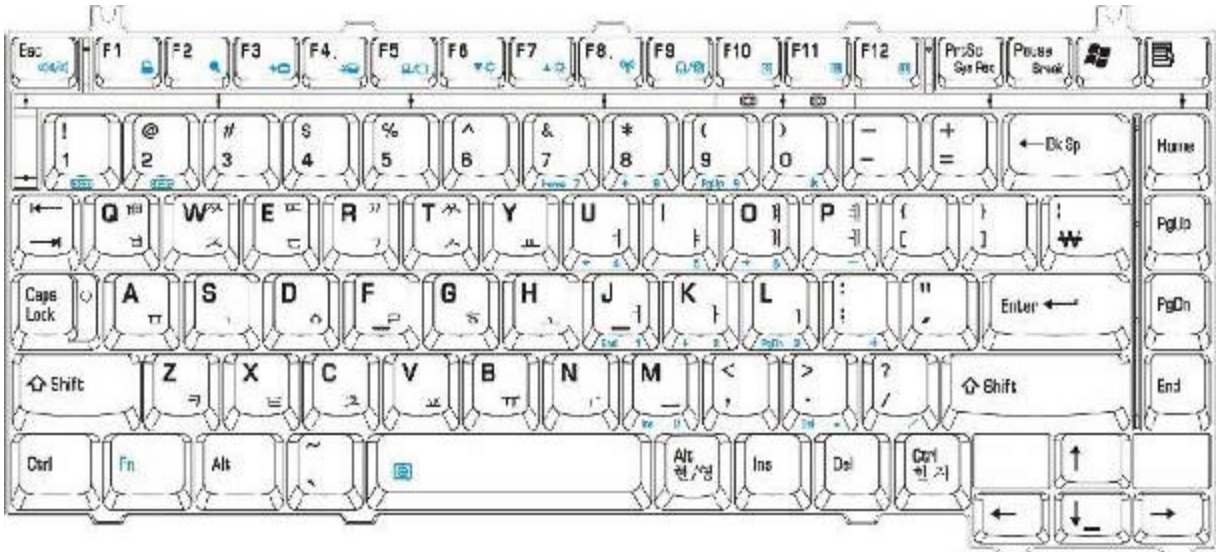


Figure E-4 KR keyboard

E.5 Canadian-French (CF) Keyboard

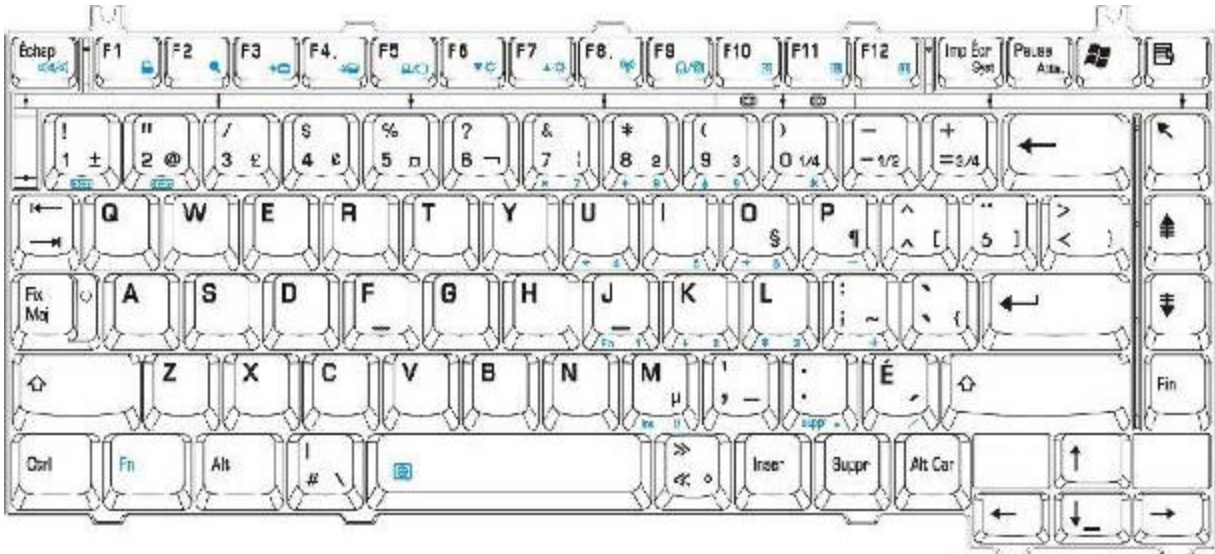


Figure E-5 CF keyboard

E.6 French (FR) Keyboard

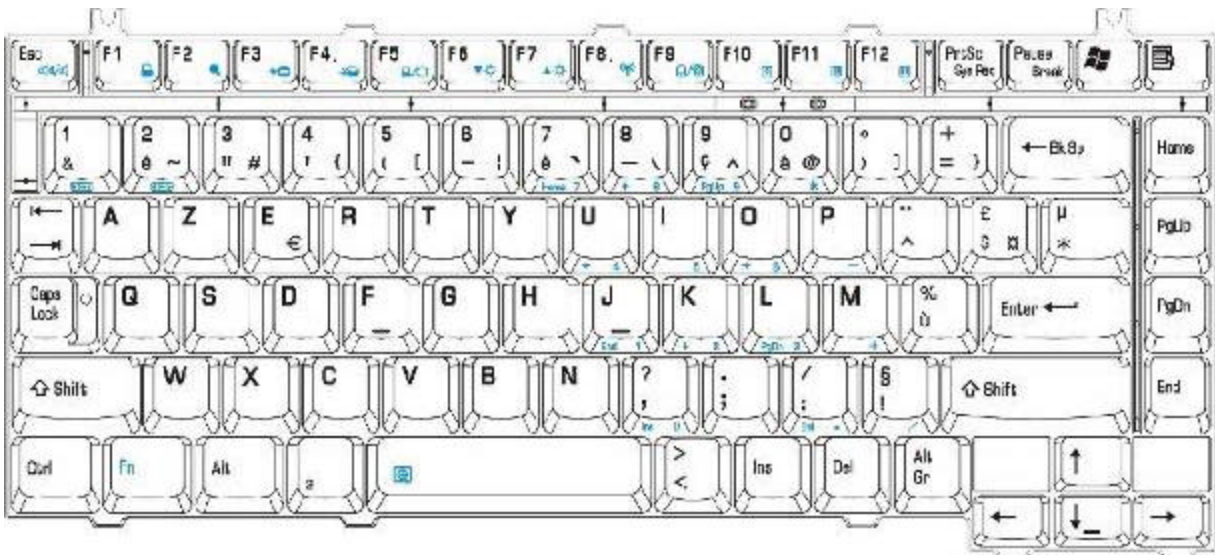


Figure E-6 FR keyboard

E.7 German (GR) Keyboard

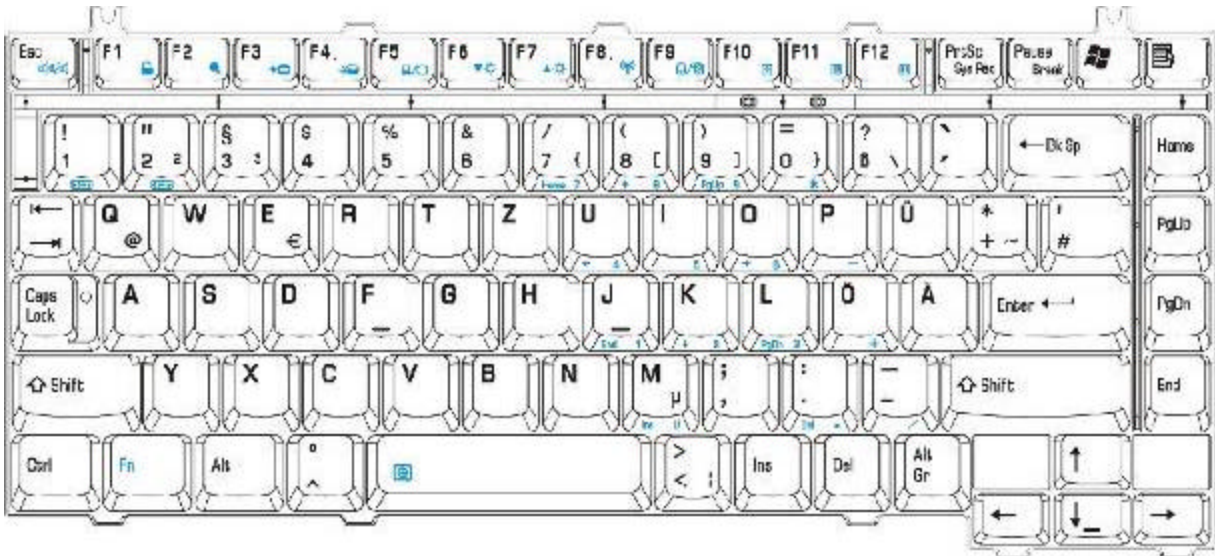


Figure E-7 GR keyboard

E.8 Italian (IT) Keyboard

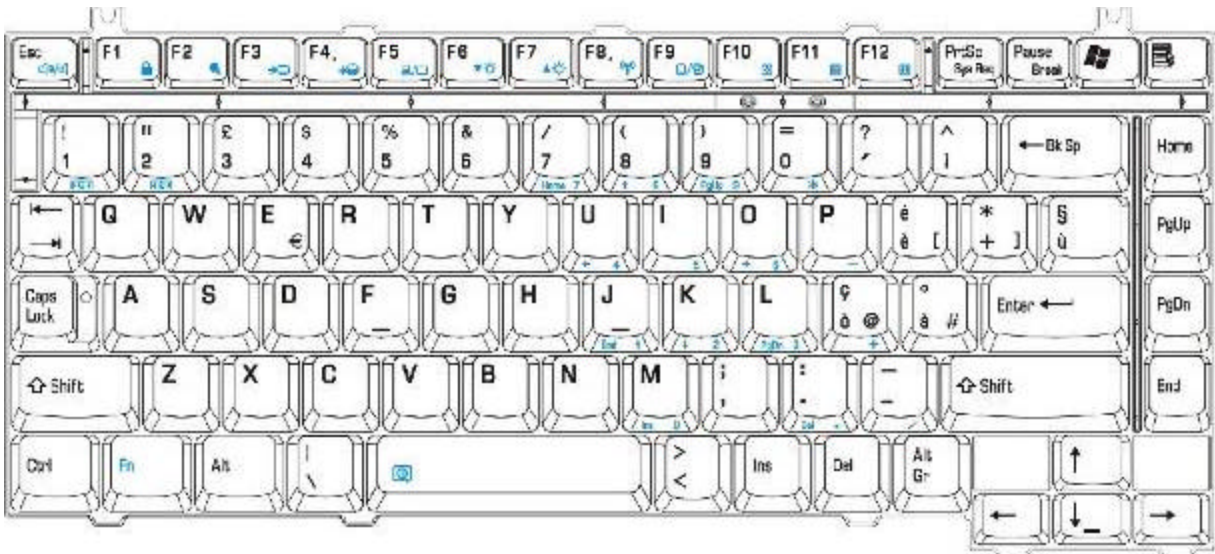


Figure E-8 IT keyboard

E.9 Taiwan (TC) Keyboard

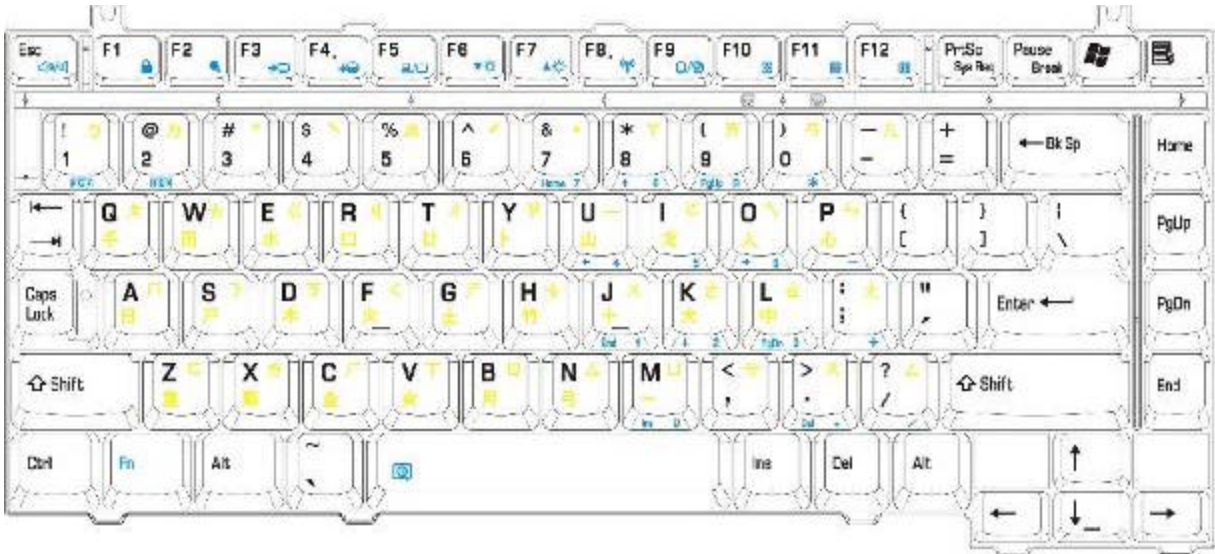


Figure E-9 TC keyboard

E.10 Portuguese (PT) Keyboard

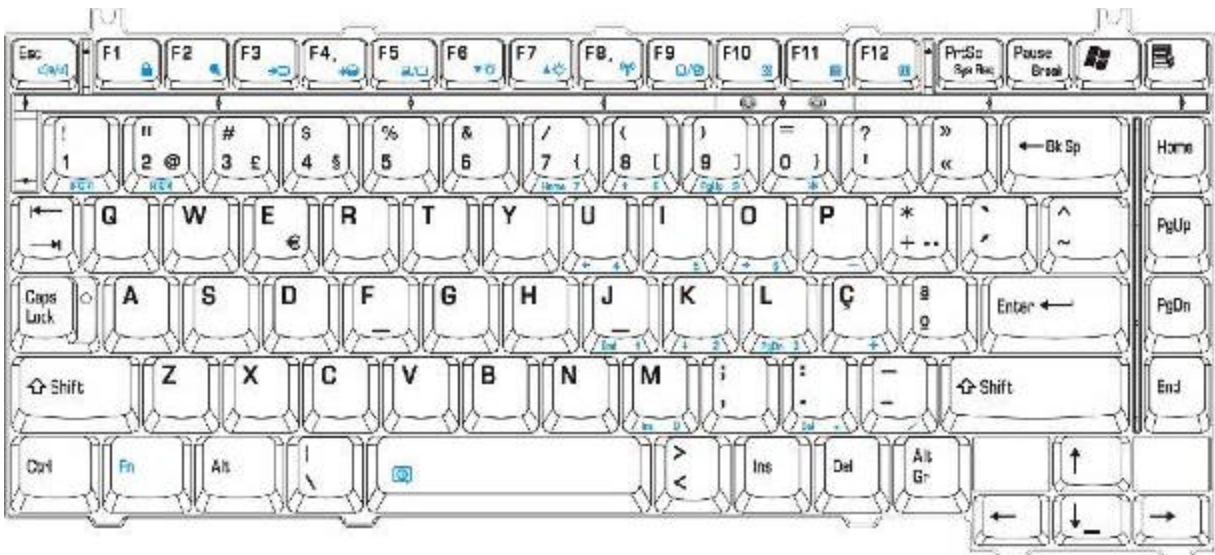


Figure E-11 PT keyboard

E.11 DU, UE, US International (USE) Keyboard



Figure E-12 USE keyboard

E.12 Arabic (AR) Keyboard

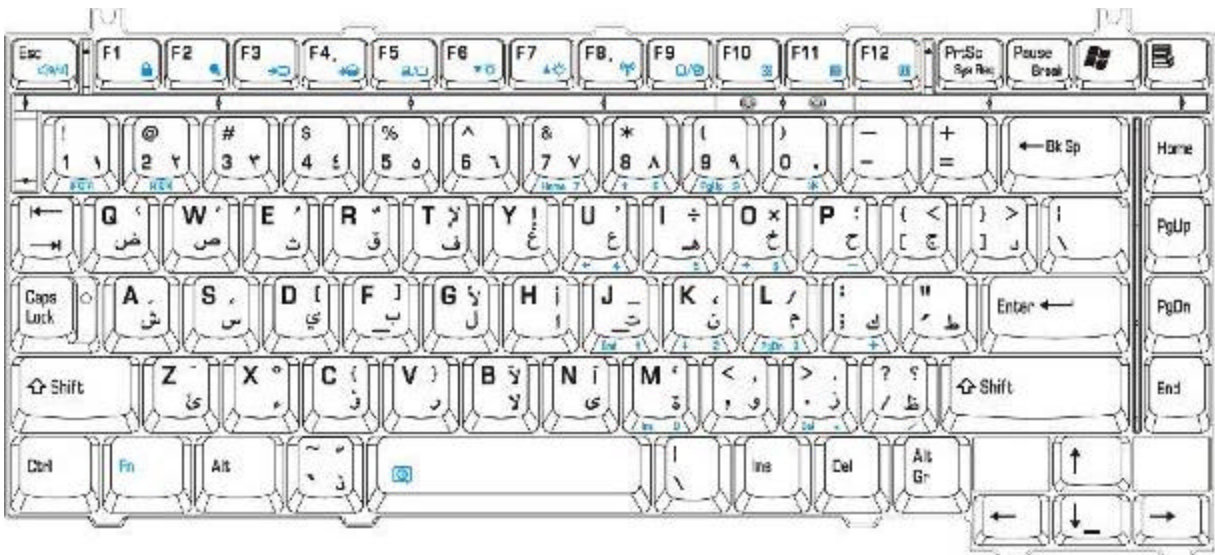


Figure E-13 AR keyboard

E.13 Belgian (BE) Keyboard

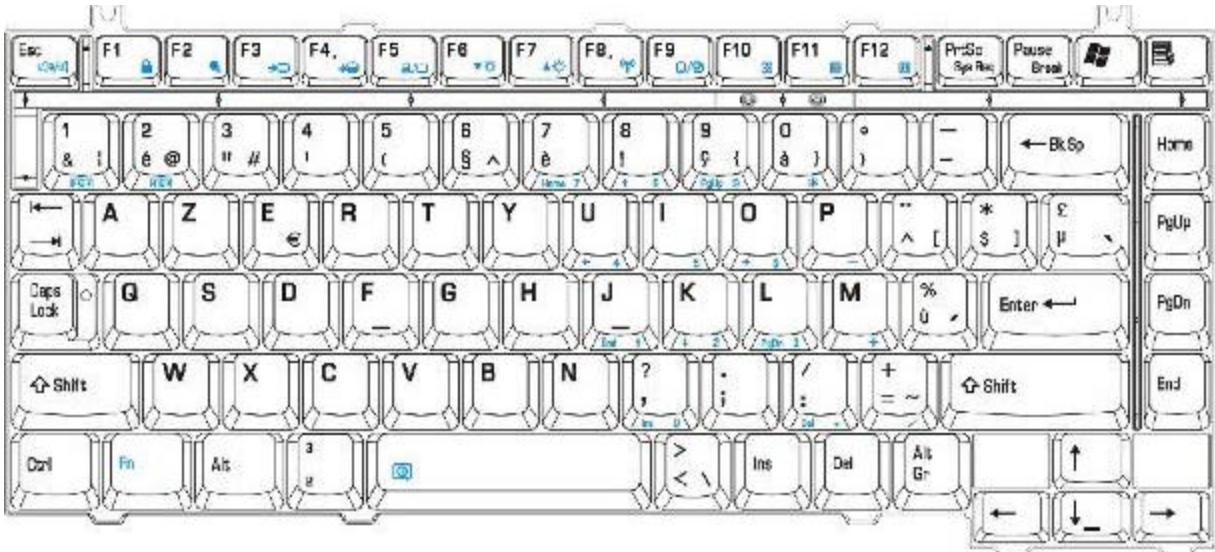


Figure E-14 BE keyboard

E.14 Russian (RU) Keyboard

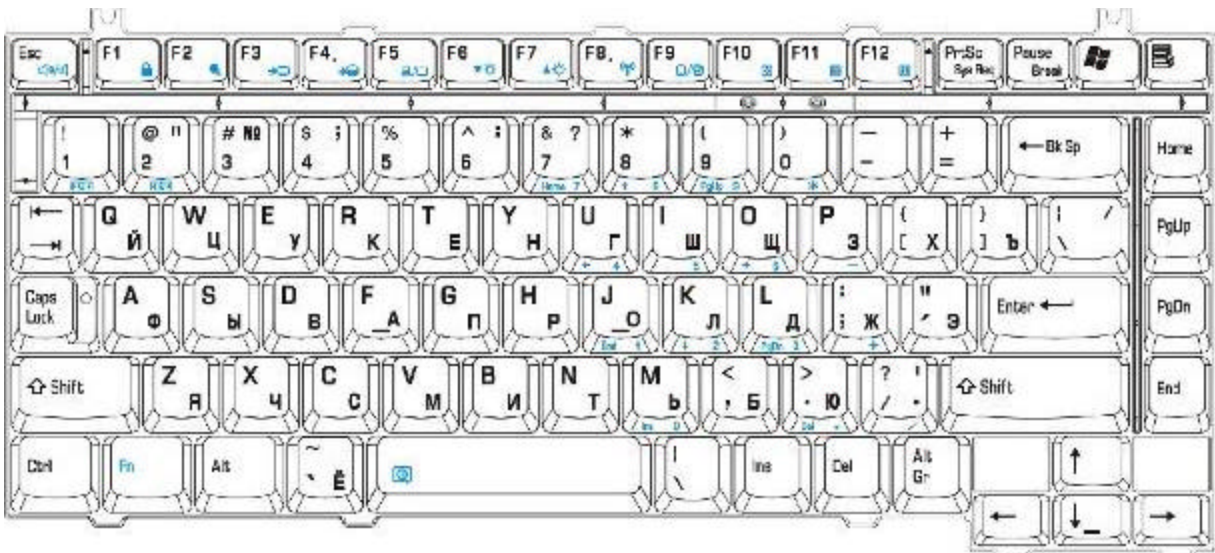


Figure E-15 RU keyboard

E.15 Swiss/Switzerland (SL) Keyboard

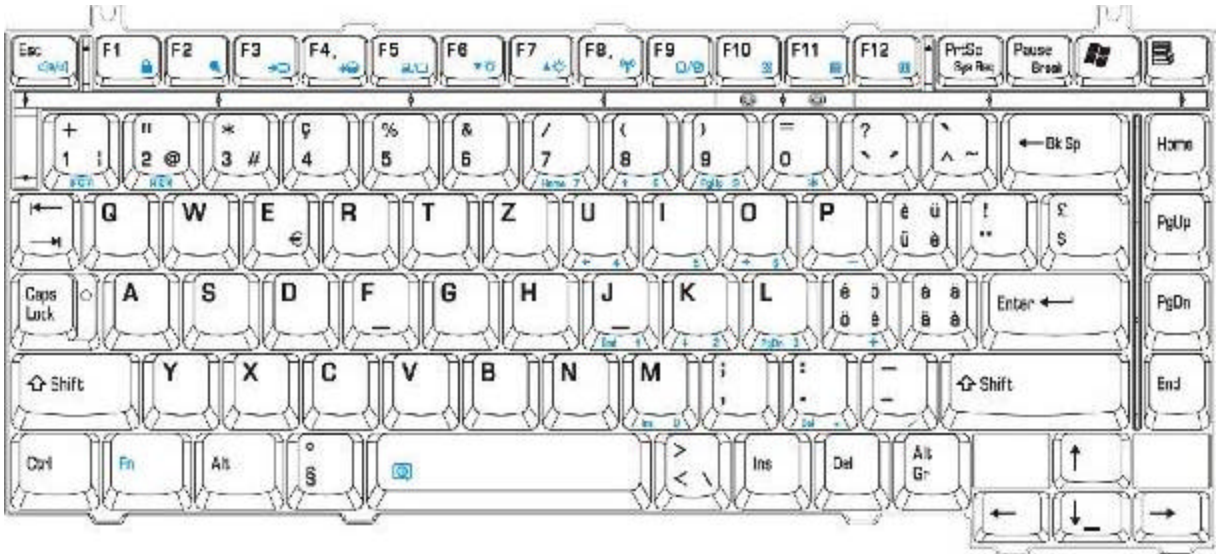


Figure E-16 SL keyboard

E.16 Swedish (SW) Keyboard

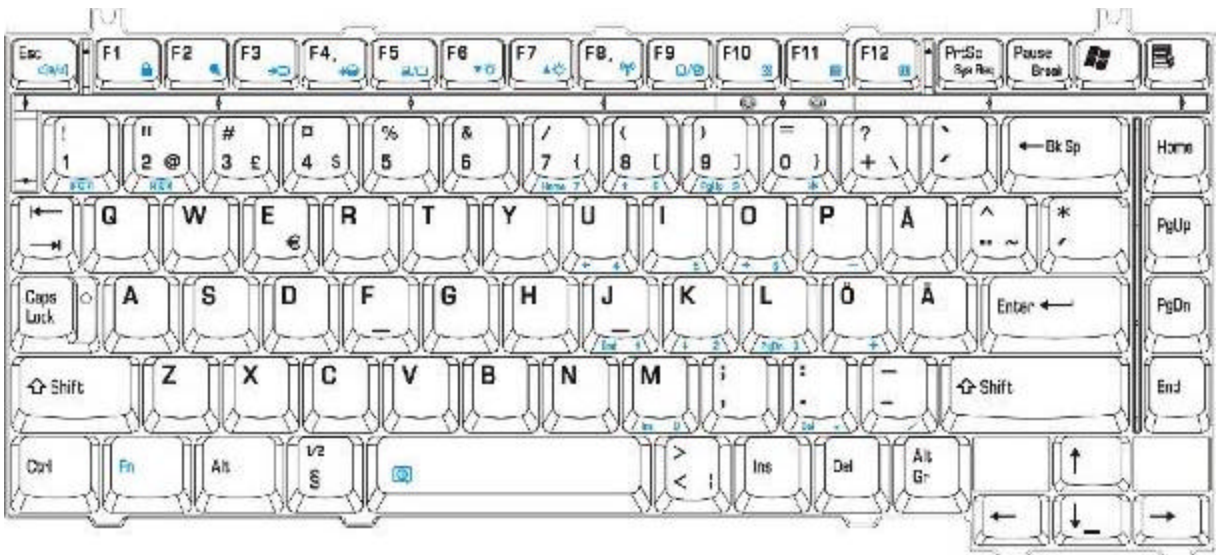


Figure E-17 SW keyboard

E.17 Norwegian (NO) Keyboard

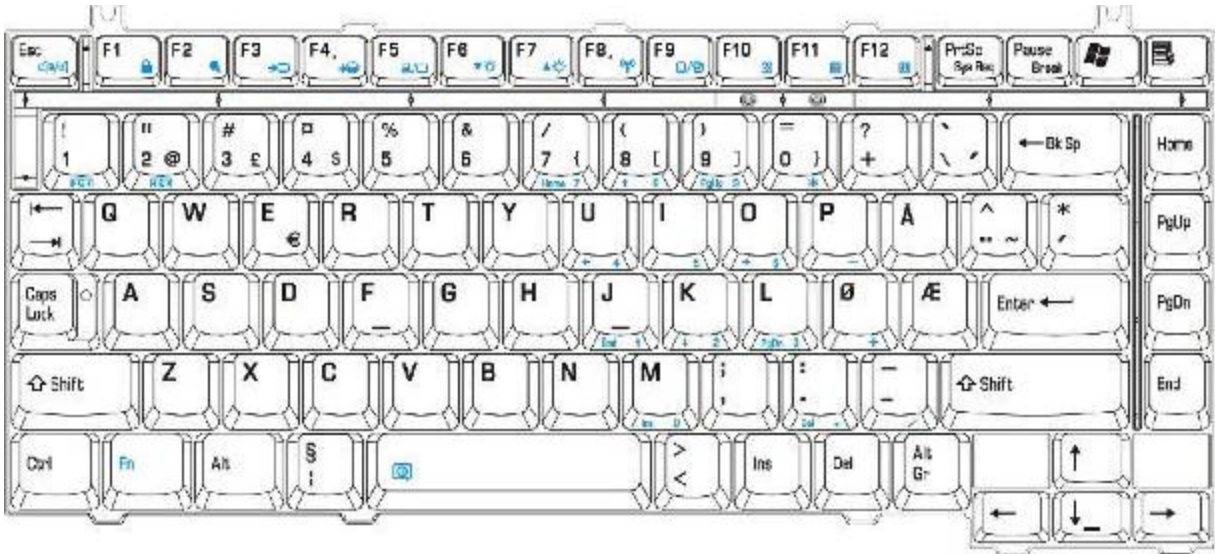


Figure E-18 NO keyboard

E.18 Danish (DK) Keyboard

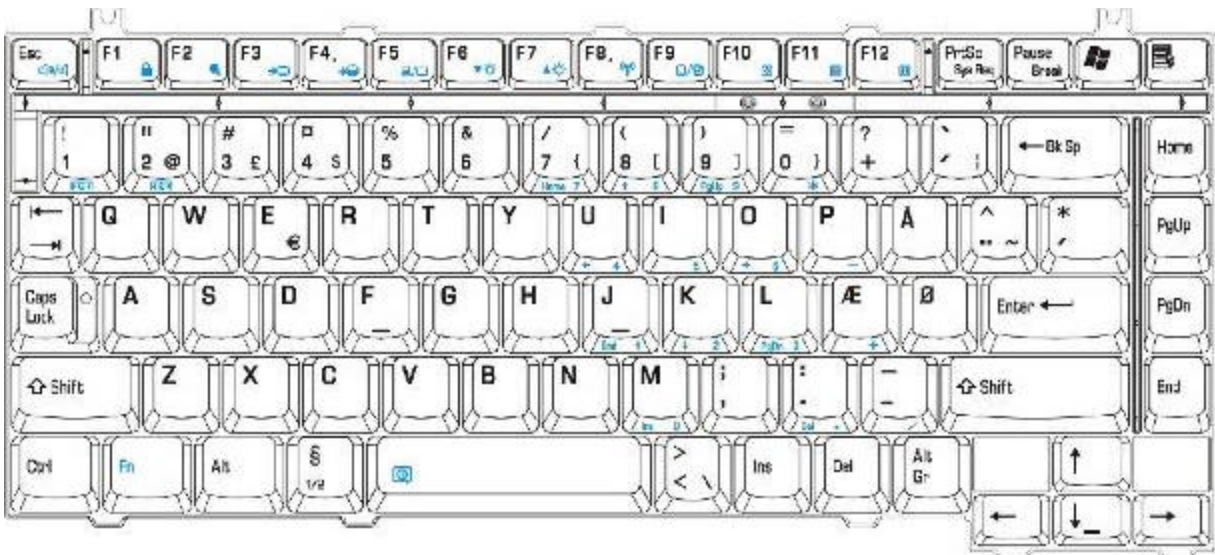


Figure E-19 DK keyboard

E.19 Turkey (TR) Keyboard

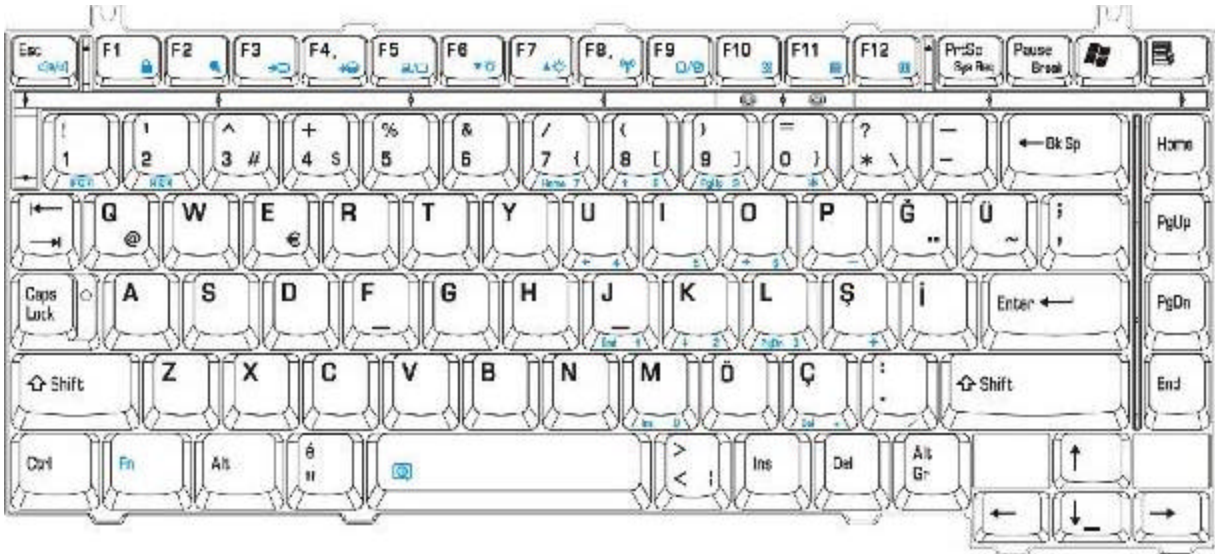


Figure E-18 TR keyboard

E.20 Greek (GK) Keyboard

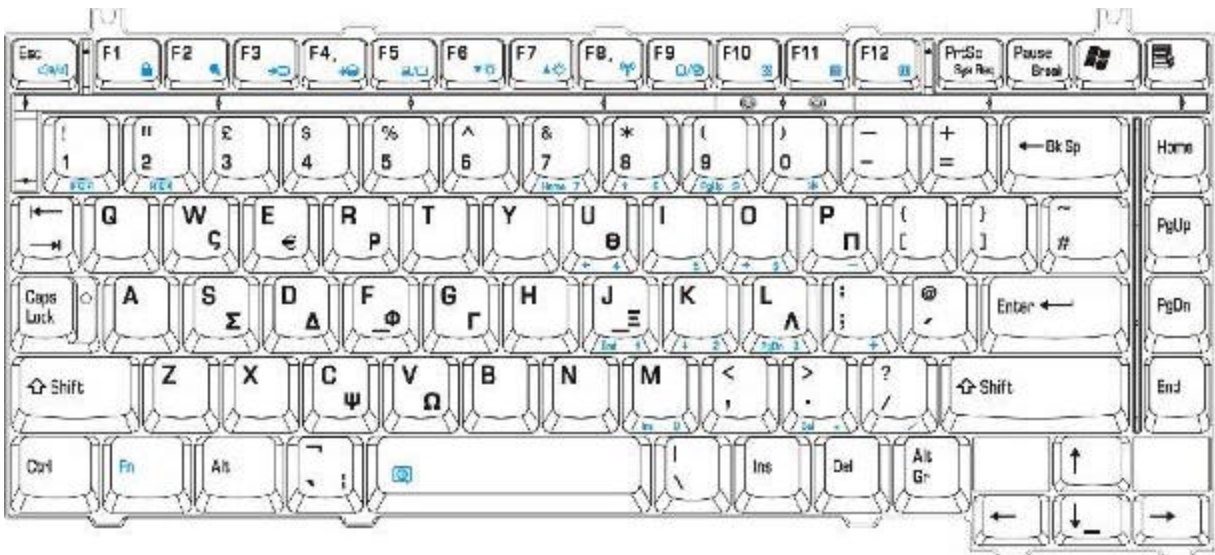


Figure E-19 GK keyboard

E.21 Estonia (ES) Keyboard

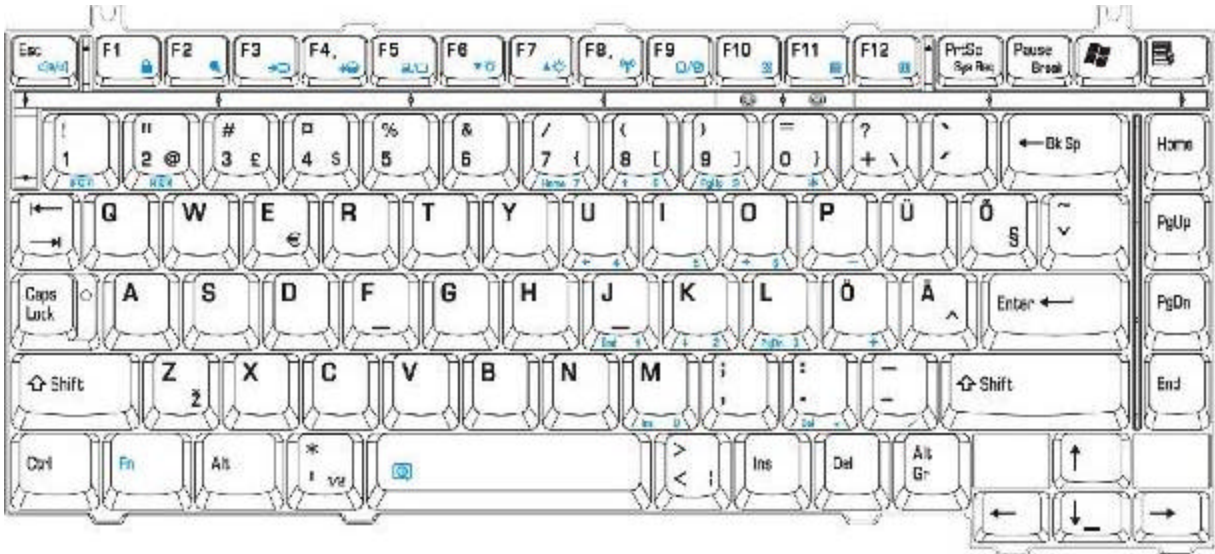


Figure E-19 ES keyboard

E.22 Hebrew (HE) Keyboard

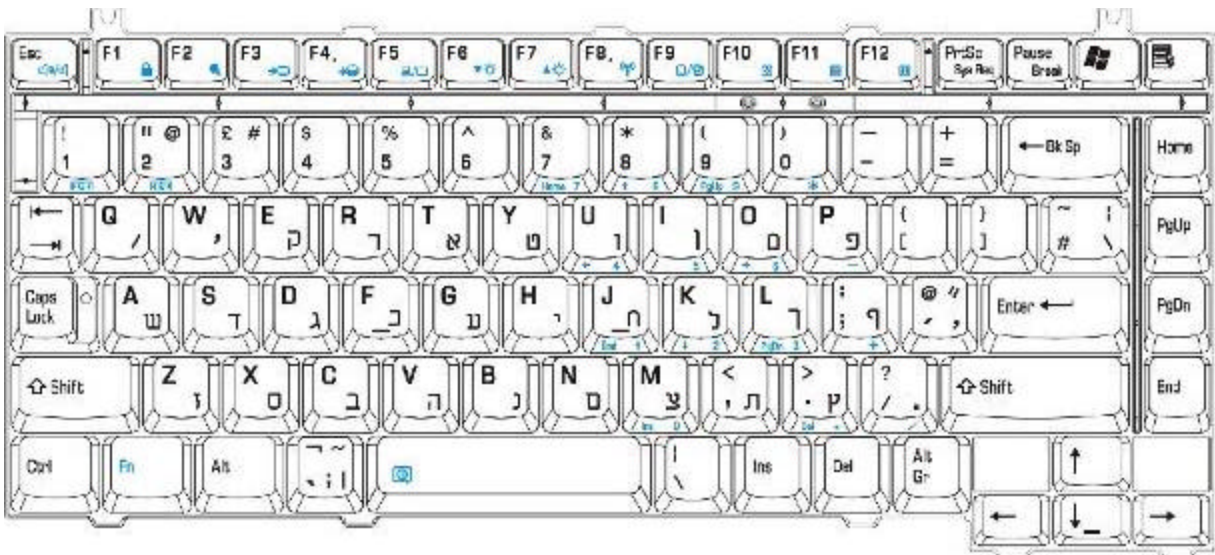


Figure E-19 HE keyboard

E.23 Czech (CZ) Keyboard

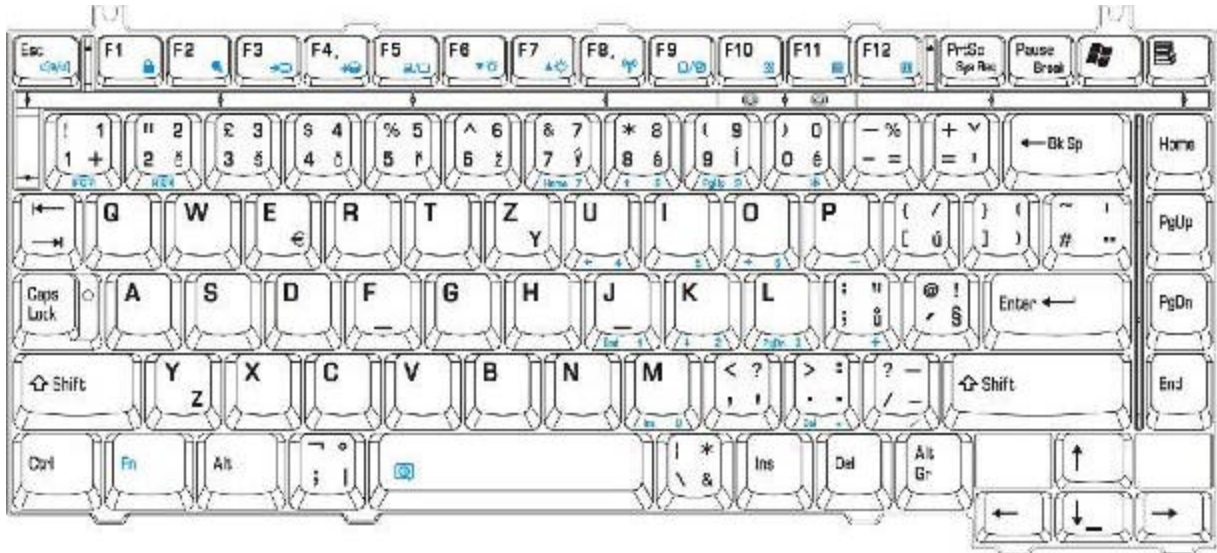


Figure E-18 CZ keyboard

E.24 Lithuanian (LI) Keyboard

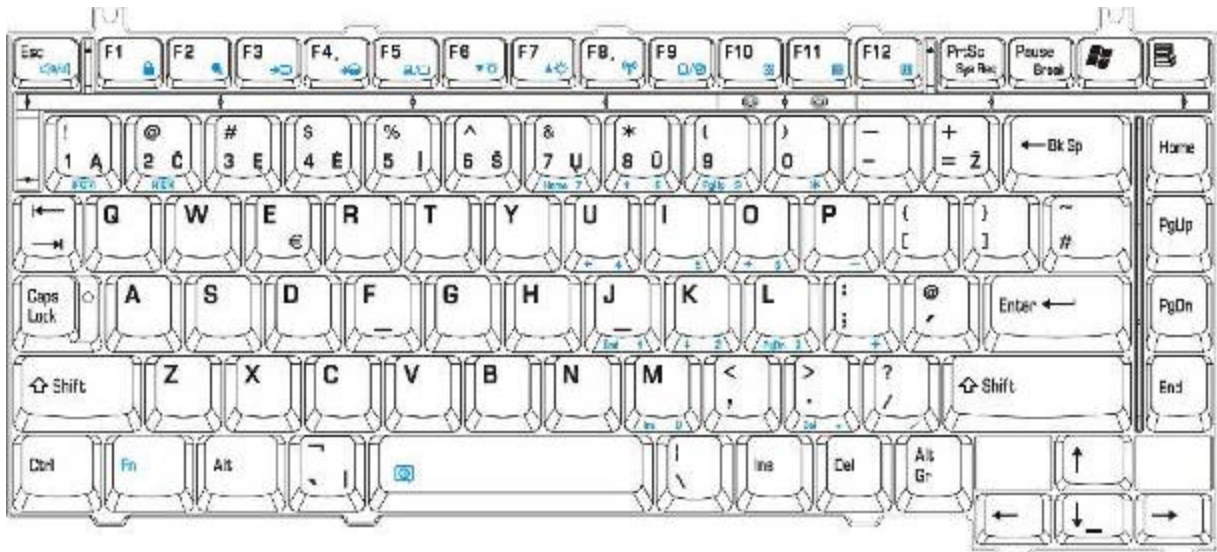


Figure E-18 LI keyboard

E.25 Hungary (HU) Keyboard

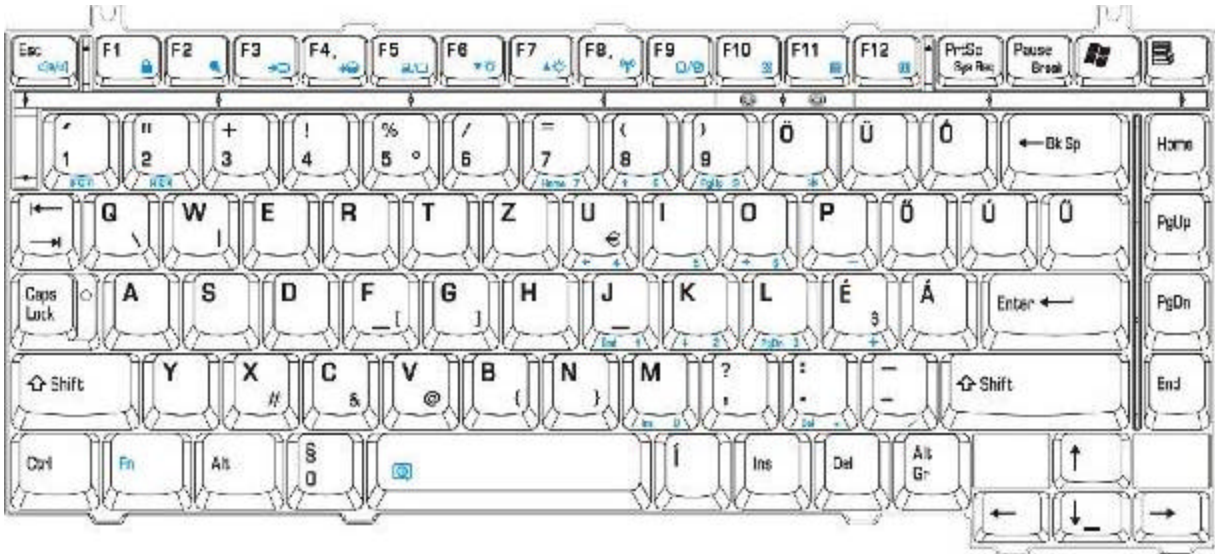


Figure E-18 HU keyboard

E.26 Slovakia (SA) Keyboard

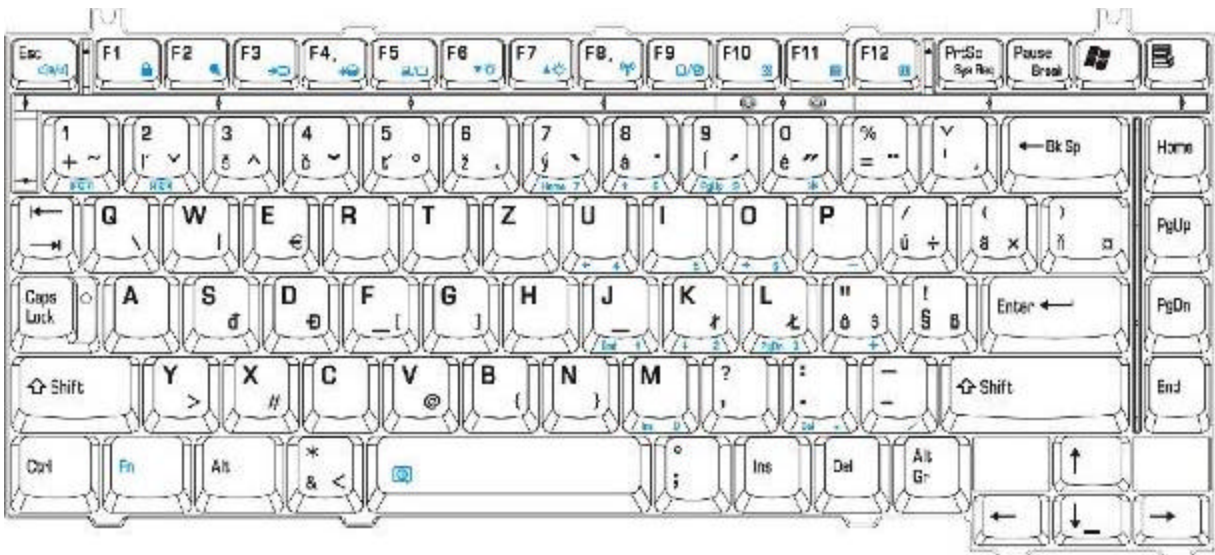


Figure E-18 SA keyboard

E.27 Yugoslavia (YU) Keyboard

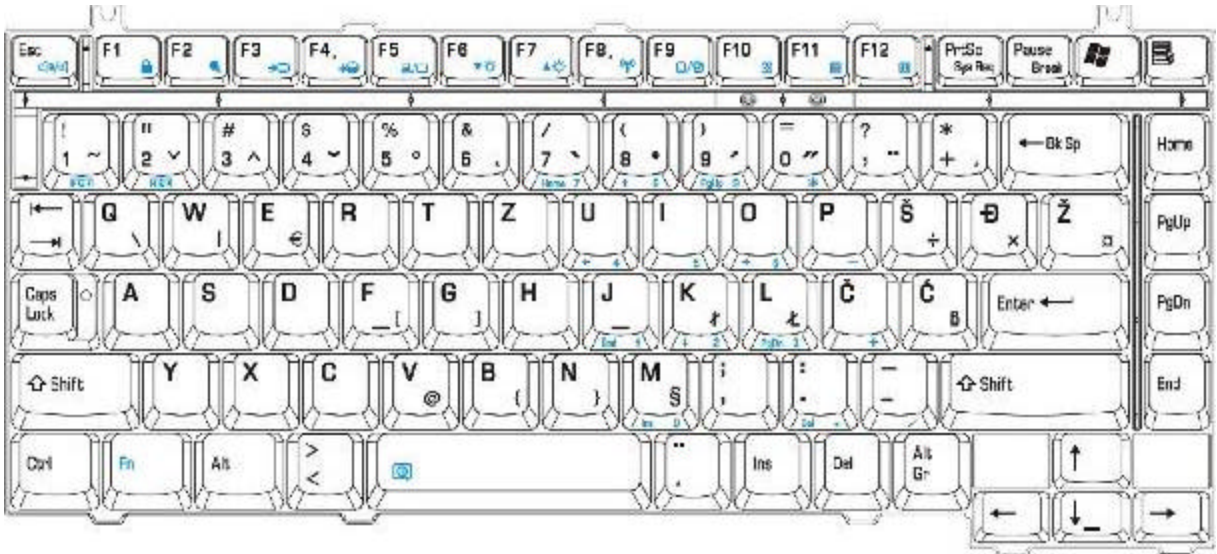


Figure E-19 YU keyboard

Appendix F BIOS Rewrite Procedures

This Appendix explains how to rewrite the system BIOS program when you update the system BIOS.

Tools

To rewrite the BIOS, you need the following tool:

- ✎ BIOS/EC/KBC rewriting disk for the computer that has renewed BIOS data.

Rewriting the BIOS

1. Set the system to boot mode.
2. Turn off the power to the computer.
3. Remove the external cable and PC card.
4. Connect an external FDD and insert the BIOS/EC/KBC rewriting disk into either the external FDD.
5. Turn on the power while holding down the [*~*] key (on the left of the space key). (Keep holding down the key until a message appears on the screen.) The BIOS rewriting starts.
6. When the process is completed, eject the BIOS/EC/KBC rewriting disk and the system is automatically reset.

Appendix G EC/KBC Rewrite Procedures

This Appendix explains how to rewrite the EC/KBC system program when you update the EC/KBC system.

Tools

To rewrite the EC/KBC, you need the following tool:

- ✎ BIOS/EC/KBC rewriting disk for the computer

Rewriting the EC/KBC

1. Set the system to boot mode.
2. Turn off the power to the computer.
3. Remove the external cable and PC Card.
4. Connect an external FDD and insert the BIOS/EC/KBC rewriting disk into either the external FDD.
5. Turn on the power while holding down the [~] key. (Keep holding down the key until a message appears on the screen.) The EC/KBC rewriting starts.
6. When the EC/KBC rewrite is completed, the system is automatically turned off.

- Note:*
- 1. Rewrite the EC/KBS only when instructed by a diagnostic disk release 1 notice.*
 - 2. Connect the AC adapter to the computer when you rewrite the EC/KBC.*
 - 3. Do not turn off the power while you are rewriting the EC/KBC. If the rewrite fails, it might be impossible to start up the computer.*
 - 4. If you fail to rewrite EC/KBC, then when you next turn on the power, a message may be displayed that the contents of the EC/KBC have been erased. In this case, insert the BIOS/EC/KBC rewriting disk, and the EC/KBC will be rewritten.*
 - 5. Normally it takes about 30 seconds to rewrite the EC/KBC. It may take 3 minutes (maximum), depending on the conditions of the computer or ICs. The computer is not hung up. Allow sufficient time. Never reboot or turn off the power to the computer before the rewriting is completed.*

Free Manuals Download Website

<http://myh66.com>

<http://usermanuals.us>

<http://www.somanuals.com>

<http://www.4manuals.cc>

<http://www.manual-lib.com>

<http://www.404manual.com>

<http://www.luxmanual.com>

<http://aubethermostatmanual.com>

Golf course search by state

<http://golfingnear.com>

Email search by domain

<http://emailbydomain.com>

Auto manuals search

<http://auto.somanuals.com>

TV manuals search

<http://tv.somanuals.com>