



**Intelligent Image Sensor**

## **iIS-010 series**

**TK6234A5 : iIS-010**

**TK6238A7 : iIS-011**

**TK6240A5 : iIS-012**

# **Product Specification**

1. Product Description .....	2
2. Features .....	2
3. Configuration.....	4
4. Name and Function of Parts.....	6
5. Specification .....	9
6. External View .....	22
• Restriction For Use .....	26
• Precautions .....	27
• Exemption Clauses .....	27

**TOSHIBA TELI CORPORATION**

The contents of this product specification may be revised without notice to reflect future product modifications. Please confirm the functions and the specifications on the latest specification sheet.

## 1. Product Description

"intelligent image sensor" iIS-010 series is an integrated image processing system consists of CCD camera head, control unit, and application software. iIS-010 series is a pre-packaged solution designed to simplify the deployment of machine vision in industrial applications.

## 2. Features

### (1) High measurement accuracy

High measurement precision finds small defects in manufactured parts.

### (2) Double speed VGA sensor

Remote head VGA sensor connected through a single cable with all camera electronics contained within the iIS assembly. The camera electronics support a 60Hz progressive scan frame rate.

### (3) Interface for industrial applications

Industrial and intelligent I/O interfaces for part type (job code), part inspection, part decision and light control.

### (4) Standard interfaces

Standard serial and Ethernet 10/100baseT communication interfaces for configuration and data reporting.

### (5) Graphical user interface

Intuitive step-by-step configuration and monitoring GUI, accessible through a standard Microsoft browser page and available in two languages (English and Japanese).

### (6) Local Scaling / Global Scaling

Simple calibration procedure which factors out both perspective and non-linear lens distortions, provides high measurement accuracy. And measurement in metric, English or pixel, supports unique system requirements.

### (7) History reports

Customer-defined history reports including parts images records information on recent passed, failed and reworked parts; key measures; specifics on which part failed to enable diagnosis. Provides a history of recent good and bad label images enables you to monitor and spot error trends on a line.

#### (8) Gauge Application

Comprehensive set of gauging tools gives you the ability to precisely and accurately measure lines, angles between lines, ellipses and circles (center, circularity or out-of-round, nicks, major and minor axes), arcs (centers and lengths), Annuli, thread spacing (“wave tool”), multiple measures of length and spacing of parts such as pins on an electrical connector (“rake tools”), and other part measures.

#### (9) Label Application

User-defined features including label rotation, movement, rejection thresholds enables you to define your label quality criteria. All settings are quickly defined and changed using a sliding bar from “lower” to “higher”. Automatic learning of good labels, using a proprietary neural net learns labels and variations.

### 3. Configuration

#### Hardware

iIS-010	Camera Head: 20mm square type .....	1
	Camera cable: Direct Fixing (2m) .....	1
	*Cable fixing direction: (viewed from rear) Right	
	Control Unit (iIS-010 series compatible) .....	1
iIS-011	Camera Head: $\phi$ 17mm type .....	1
	Camera cable: Separated type (2m) .....	1
	*Cable fixing direction: (viewed from rear) Rear	
	Control Unit (iIS-010 series compatible) .....	1
iIS-012	Camera Head: C mount head type .....	1
	Camera cable: Direct Fixing (2m) .....	1
	*Cable fixing direction: (viewed from rear) Right	
	Control Unit (iIS-010 series compatible) .....	1

#### Accessories

Ethernet crossover cable	KB-10T5-03CK (Sanwa-supply, 3m) .....	1
DIN rail mounting kit	CKD-80 (Takachi Denki) .....	2
Screws for the mounting kit	PB3X10BS-NI .....	4
Plug for power cable	39860-1002 (MOLEX, 2 terminal type) .....	1
Plug for parallel I/O cable	1-1546208-5 (AMP/Buchanan, 15 pin type) .....	1
Floppy Disk	Including switching application file .....	1
Operation Manuals	Basics (Japanese) .....	1
	Basics (English) .....	1
	Applications (Japanese) .....	1
	Applications (English) .....	1
Calibration sheet	A4 size .....	1

\*Ethernet® is a trademark of Xerox Corporation U.S.

## Software

iIS Web pages	for viewing on Internet Explorer® (Installed)
iWorks(Gauge)	Application for Gauge (Auto download from the control unit)
iWorks(Label)	Application for Label (Auto download from the control unit)
iAssistant	Application for Upgrade (Auto download from the control unit)
iServer	Application for monitoring connection status (Installed)
HTML Help	Microsoft® online help for Gauge / Label application
Switch To Gauge	Binary File for switching to Gauge (including in the floppy disk)
Switch to Label	Binary File for switching to Label (including in the floppy disk)
Others	ActiveX® control libraries (Auto download from the control unit)

\*Microsoft®, Windows®, Microsoft® Internet Explorer, and ActiveX® are registered trademarks of Microsoft Corporation, U.S., in the U.S. and other countries.

## Optional Accessories

## Camera Lens

For iIS-010	Dedicated lenses (M10.5 P0.5 female)
For iIS-011	Dedicated lenses (M15.5 P0.5 male)
For iIS-012	C mount lenses

## Camera mounting kit

For iIS-010	CPT4310A / CPT4310B
For iIS-011	CPT5130
For iIS-012	CPT5110

\*Please contact your dealer / distributor for details of option units.

## Peripheral Devices (compatibility verified)

DC Power supply	PS5R-D24 (Idec)
PC	DynaBook 2590X (Windows® 2000 Japanese / English)
Local Display	RDF17S (Mitsubishi)

\*Please contact your dealer / distributor for the other peripheral devices.

**4. Name and Function of Parts**

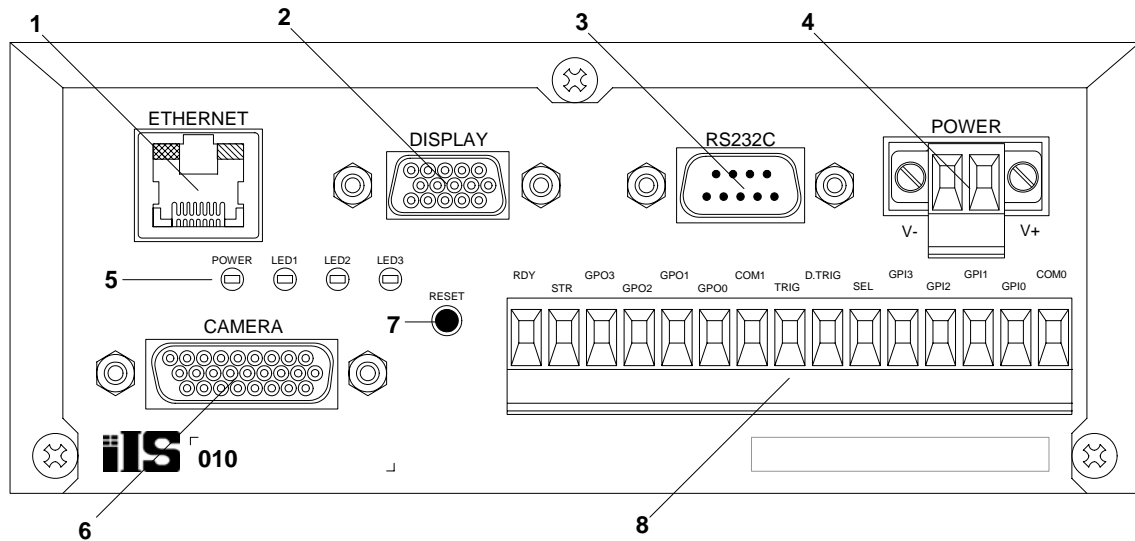


Figure 1. Control unit (Front-panel side)

**1. RJ45 connector for Ethernet**

Connect with PC or PLC by using Ethernet cable.

**2. Local Display connector**

A XGA Monitor can be connected directly to the control unit, for local display of the camera image.

**3. RS-232C connector**

Connect with PC or PLC by using the crossover RS-232C cable.

**4. Power connector**

Connect the DC Power Supply (+24V DC  $\pm 10\%$ ) to the control unit power connector.

**5. LED indicator**

POWER:	power-on indicator	- steady green
LED1:	server “heartbeat”	- slow flashing green
LED2:	acquisition (frame) done (or processing start)	rapid flashing green
LED3:	reserved for future use	steady off

**6. Camera connector**

Connect the control unit and camera head with the camera cable provided with iIS-010 series kits.

**7. Reset button**

Reset the control unit or reset to the factory default.

## 8. Parallel I/O

8 inputs and 7 outputs parallel I/O.

Table 1. Parallel I/O terminal functions

NAME	I/O	Function	Name	I/O	Function
COM0	I	Common for inputs	COM1	O	Common for outputs
GPI0	I	Select solution input (4bit, ID00~15)	GPO0	O	Result (Pass) output
GPI1	I		GPO1	O	RESERVE
GPI2	I		GPO2	O	Result (Recycle) output
GPI3	I		GPO3	O	Result (Reject) output
SEL	I	Change solution input	STR	O	Strobe pulse output
D.TRIG	I	Decision trigger input	RDY	O	Ready signal output
TRIG	I	Inspection trigger input			

COM0: Common input for all other inputs.

GPI0 ~ 3: 4 inputs for solution selection. This is a BCD code representing 16 different solutions that can be loaded.

SEL: 1 input for job change - This input will generate an interrupt to the CPU informing it that a line changeover is taking place. The system will then load one of 16 predefined solutions according to the BCD code present on the job selection inputs. During this process, the ready signal will go OFF indicating a busy state.

D.TRIG: 1 decision trigger input representing detection of a valid part to make a decision on. Decisions are queued following every inspection.

TRIG 1 inspection trigger input representing detection of a valid part to inspect.

COM1: Common output for all other outputs.

GPO0 ~ 3: 4 outputs for pass, fail, rework and reserve

STR: 1 strobe light control with offset and pulse width programmable.

RDY: 1 ready indicator. This OUTPUT will be active when the iIS system is available to process parts. It is a level sensitive signal where a ON indicates the system is available and a OFF indicates that it is busy, not configured or unable to continue due to a catastrophic event.

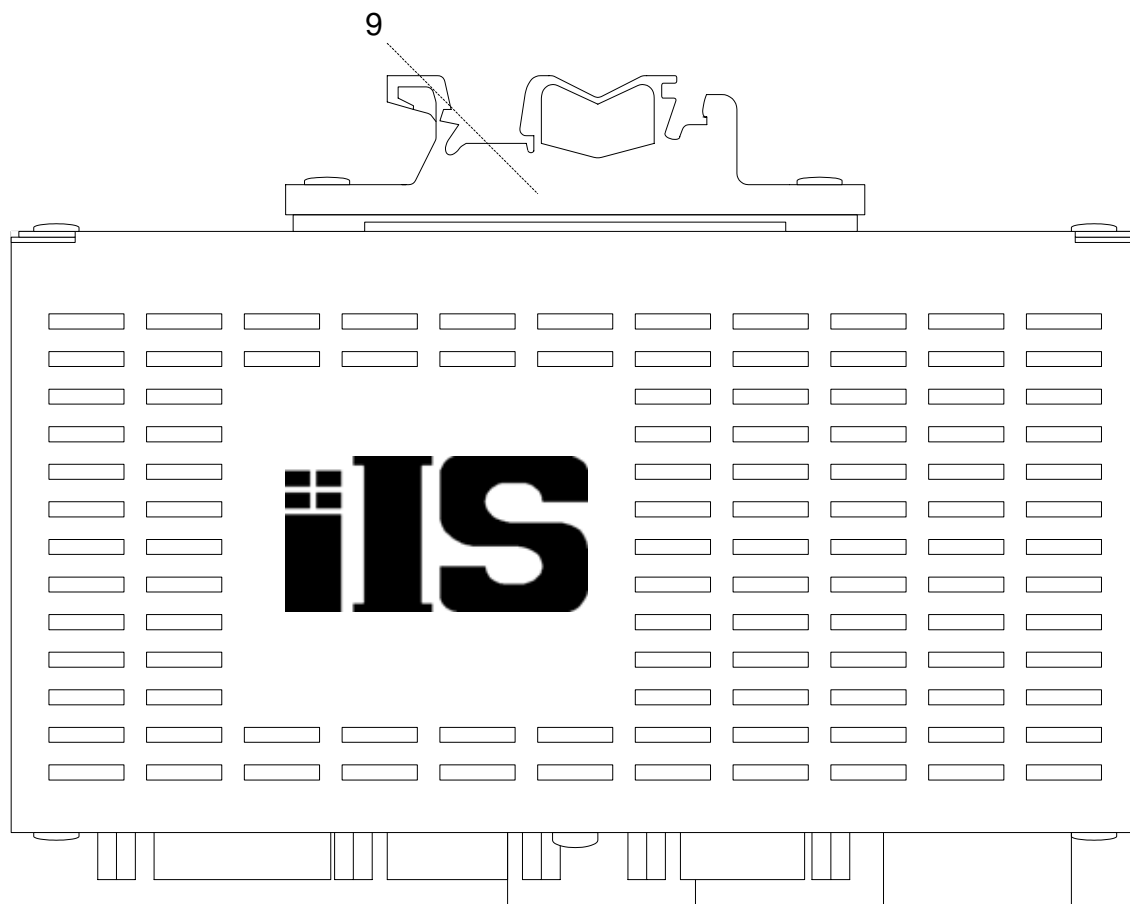


Figure 2. Control unit (top view)

9. Mounting kits for DIN rail

You can mount with 32mm / 35mm width type DIN rail.



## 5. Specification

### [General Specification]

Power Supply	+24V DC $\pm$ 10% (Ripple voltage: 50mV <sub>P-P</sub> or less)		
Power Consumption	10W or less (+24V DC)		
Operating Temperature	0 °C ~ +40 °C		
Operating Humidity	30 % ~ 85 %RH	(No condensing)	
Storage Temperature	-20 °C ~ +60 °C		
Storage Humidity	10 % ~ 95 %RH	(No condensing)	

### EMC conditions (Electro-Magnetic Compatibility)

EMI (Electro-Magnetic Interference)	EN50081-2 (Examination level: EN55011-A) Conformity
EMS (Electro-Magnetic Susceptibility)	EN61000-6-2 Conformity

#### \* Conformity of EMC conditions

About the conformity of the EMC standard of this machine, it has guaranteed in the conditions combined with the peripheral devices of the 3rd clause.

When used combining parts other than specification of our company, I ask you to have final EMC conformity checked of a visitor with a machine and the whole equipment.

### [Camera head specification]

Image sensor	All Pixel's Data Read-out Interline CCD			
Total pixels	692 (H)	×	504 (V)	
Valid pixels	648 (H)	×	494 (V)	
Unit cell size	7.4 (μm)	×	7.4 (μm)	
Sensitivity	400lx, F5.6 (Exposure time = 1/60s)			
External Dimensions				
iIS-010	20 (W)	×	20 (H)	× 25 (D) mm
iIS-011			φ17	× 36.2 (D) mm
iIS-012			φ35	× 40 (D) mm
Lens mount				
iIS-010	Special mount (M10.5 P0.5 female)			
iIS-011	Special mount (M15.5 P0.5 male)			
iIS-012	C mount			
Weight				
iIS-010	Approx. 19g (Excluding cable)			
iIS-011	Approx. 16g (Excluding cable)			
iIS-012	Approx. 55g (Excluding cable)			
Camera cable length	2m (iIS-010 series)			

Relative Spectrum Response (\*Including lens characteristics, Excluding light source characteristics)

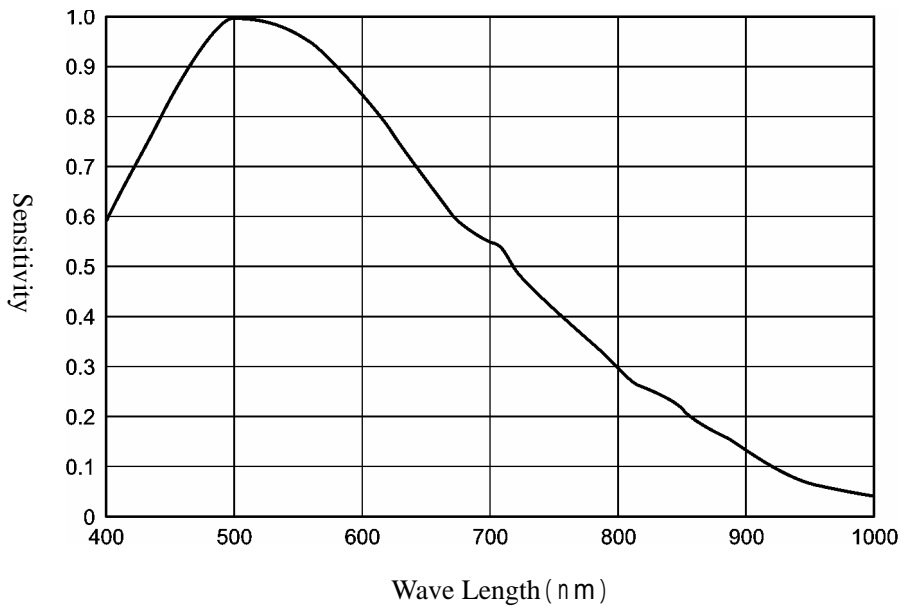


Figure 3. Relative Spectrum Response

[Control Unit]

Camera input	1
Video output pixels	640 (H) × 480 (V)
Quantization	10bit gray scale
Processing	8bit gray scale
Video format	Non-Interlace
Sensor Trigger mode	Selectable Internal Timer or External trigger
Exposure time	Settable from 1 to 1024 (1 step = Approx. 60μs)
Brightness	Approx. 3 ~ 19 LSB (8 bit)
Contrast	Approx. ±4dB
Processor	266MHz Intel compatible SOC processor
Memory	64MB image acquisition and processing 32MB program and solution (job) storage
Device Name	NS2***** (Default)
IP address	192.168.0.100 (Default)
Subnet Mask	255.255.0.0 (Default)
MAC address	00-01-0D-**-**-** (* Unique ID)
DHCP	Disabled (Default)
DHCP server	Not Available (Default)
Primary WINS server	000.000.000.000 (Settable on the web page)

Secondary WINS server	Not Available (Default)
Interfaces	
Ethernet	1ch
Connector	RJ-45

Table 2. Ethernet connector pin assignment

Pin #	I/O	Terminal function
1	O	TD+ (Transmit data +)
2	O	TD- (Transmit data -)
3	I	RD+ (Receive data +)
4	-	NC
5	-	NC
6	I	RD- (Transmit data -)
7	-	NC
8	-	NC

Connection Type	10/100 BaseT Ethernet IEEE 802.3 compatible 10/100 BaseT Auto Sence
Protocol	HTTP, ICMP, DHCP, TCP/IP
LED indicator	Orange indicates for working on 100BaseT Green indicates for working on 10BaseT Light on indicates for linking Ethernet Blink indicates for working communication
Cables	Twisted Pair (Category 5e or greater)
Maximum cable length	100m (Unshielded Twisted Pair cable)
DISPLAY	1ch
Connector	D-SUB 15 pin, Right Angle, female

Table 3. Local Display connector pin assignment

Pin #	Terminal Function	Pin #	Terminal Function
1	Red Data	9	NC
2	Green Data	10	GND
3	Blue Data	11	NC
4	NC	12	NC
5	GND	13	HSYNC
6	GND	14	VSYNC
7	GND	15	NC
8	GND		

Scanning type	Progressive
Video signal level	0.7V <sub>P-P</sub> (75Ω terminated)

for sync on green, 1.0 V<sub>P-P</sub> (75 Ω terminated)  
 (Video signal: 0.7 V<sub>P-P</sub>, sync signal: 0.3 V<sub>P-P</sub>)

Sync signal                      Separate sync

Horizontal sync frequency    56.4kHz

Vertical sync frequency        70Hz

Image resolution                1024 × 768 × 16bpp

Sampling resolving power      R=5bit, G=6bit, B=5bit

RS-232C                            1ch

Connector                         D-SUB 9pin, Male

Table 4. RS-232C connector pin assignment

Pin #	I/O	Description	Pin #	I/O	Description
1	-	NC	6	-	NC
2	I	RX (Receive Data)	7	-	NC
3	O	TX (Transmit Data)	8	-	NC
4	-	NC	9	-	NC
5	-	Ground			

Control type                      RS-232C (Non-procedure)

Bit rate                            110 / 300 / 600 / 1200 / 2400 / 4800 / 9600 / 19200 / 38400 /  
 57600 / 115200 bps  
 \*230400 / 460800 / 921600 bps are not supported.

Data bits                         5 / 6 / 7 / 8

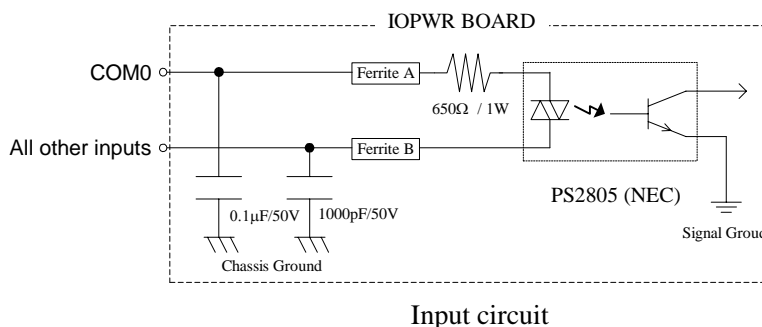
Stop bits                         1 / 1.5 / 2

Parity                              Odd / Even / None / Mark / Space

Flow Control                      None

Parallel I/O                        8 inputs (COM0 / GPI0 ~ 3 / SEL / D.TRIG / TRIG)  
 7 outputs (COM1 / GPO0 ~ 3 / STR / RDY)

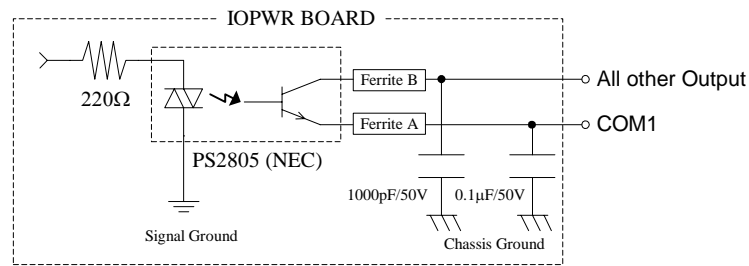
Connector                         Terminal Block (1-1546208-5 supplied by AMP)



Rated input voltage	25V (1ch)
Input voltage range	0V to 25V
Input voltage level	ON: 5V to 25V OFF: 0.8V or less
Input current level	ON: 5mA to 20mA OFF: 1.9mA or less
Control signal inputs	3ch
TRIG	Inspection Trigger input
D.TRIG	Decision Trigger input
SEL	Change Solution input
Polarity	Positive
Minimum pulse width	200 $\mu$ s
Select Solution Inputs	4ch

Table 5. Select Solution Inputs

	GPI3	GPI2	GPI1	GPI0
ID_00	OFF	OFF	OFF	OFF
ID_01	OFF	OFF	OFF	ON
ID_02	OFF	OFF	ON	OFF
ID_03	OFF	OFF	ON	ON
ID_04	OFF	ON	OFF	OFF
ID_05	OFF	ON	OFF	ON
ID_06	OFF	ON	ON	OFF
ID_07	OFF	ON	ON	ON
ID_08	ON	OFF	OFF	OFF
ID_09	ON	OFF	OFF	ON
ID_10	ON	OFF	ON	OFF
ID_11	ON	OFF	ON	ON
ID_12	ON	ON	OFF	OFF
ID_13	ON	ON	OFF	ON
ID_14	ON	ON	ON	OFF
ID_15	ON	ON	ON	ON



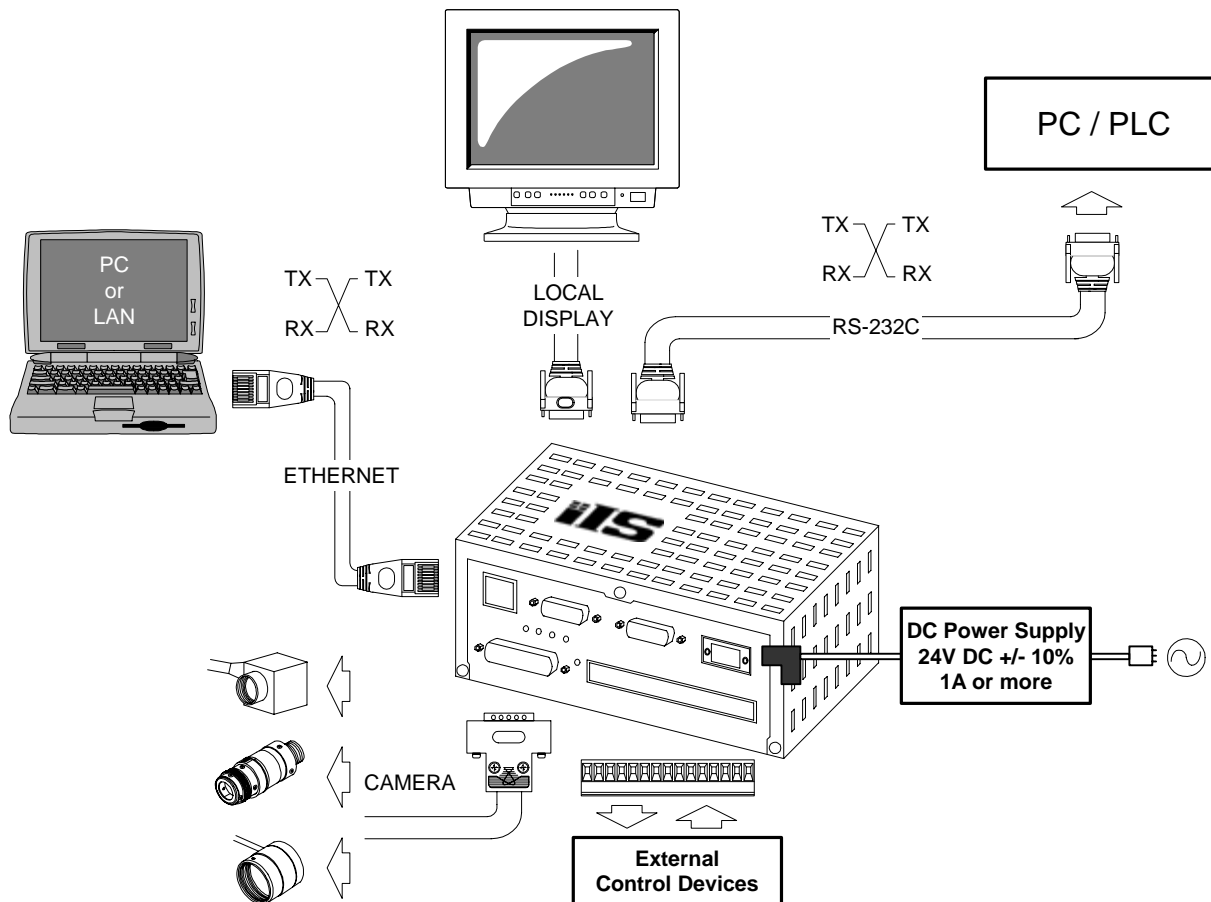
Output circuit

Rated Voltage	80V (Collector to Emitter)
Reverse voltage	-6V (Emitter to Collector)
Total Power Dissipation	120mW
Load voltage range	5V to 24V
Rated output current	50mA
Decision outputs	4ch
GPO0	Pass output
GPO1	RESERVE
GPO2	Recycle output
GPO3	Reject output
Light control output (STR)	1ch
READY output (RDY)	1ch
	OFF: Booting the control unit / When changing solution
	ON: After boot, start application / After changing solution

External Dimensions                    150 (W) × 60(H) × 80 (D)

Weight                                    Approx. 500g (Excluding DIN rail mounting kits)

[Example Installation]



\*The length of the power line between the control unit and DC power supply must be less than 10m, and use twisted-pair wire.

[Client PC system requirements]

Operating System	Microsoft® Windows® NT 4.0 SP5 or later, Microsoft® Windows® 2000 SP3 or later, Microsoft® Windows® XP SP1
Web Browser	Microsoft Internet Explorer 6.0 or later (ActiveX control supported)
History Log Viewer	Hilgraeve HyperTerminal for Conditional/strings output Microsoft EXCEL for the History log of CSV type
PC type	X86 compatible
Interface	Ethernet (Static or Dynamic addressing) RJ-45 type connector

\* The PC control program may not work for the effect installed software for application and driver. The workaround for this problem is to be done by users at their own risk.

[Software function specification - on Internet Explorer (Ver.1.2.0.0)]

Select Language	English / Japanese
Devise Setup	
Network Alias	Naming a network name your control unit
Network Settings	Selectable using DHCP or Static IP Address
Monitor	Monitoring inspections from the web
Upgrade	Software Upgrades / Backup / Restore
	Switch to Gauge or Label
Open iWorks	Open Gauge or Label application window
HistoryLog	Viewing data output
	File logging (CSV type)

Table 6. CSV file output format (Gauge application)

	A	B	C	D	E	....
1	Inspection Number N	Time Stamp T <sub>1</sub>	Result	Measured Value V <sub>N1</sub>	Measured Value V <sub>N2</sub>	...
2	Inspection Number N+1	Time Stamp T <sub>2</sub>	Result	Measured Value V <sub>(N+1)1</sub>	Measured Value V <sub>(N+1)2</sub>	...
3	Inspection Number N+2	Time Stamp T <sub>3</sub>	Result	Measured Value V <sub>(N+2)1</sub>	Measured Value V <sub>(N+2)2</sub>	...
.	.	.	.	.	.	...
.	.	.	.	.	.	...

Inspection Number	Parts Inspection Number
Time Stamp	Inspection time taken from Client PC (HH:MM:SS)
Result	Pass/ Recycle / Fail
Measured value	The values for each measurement.
	Measurements sort in ascii order
	Significant digit: 3

Table 7. CSV file output format (Label application)

	A	B	C	D	E	F
1	Inspection Number N	Time Stamp T <sub>1</sub>	Failed Area F <sub>N</sub>	Angle Offset A <sub>N</sub>	Result	Barcode String
2	Inspection Number N+1	Time Stamp T <sub>2</sub>	Failed Area F <sub>(N+1)</sub>	Angle Offset A <sub>(N+1)</sub>	Result	Barcode String
3	Inspection Number N+2	Time Stamp T <sub>3</sub>	Failed Area F <sub>(N+2)</sub>	Angle Offset A <sub>(N+2)</sub>	Result	Barcode String
.	.	.	.	.	.	.
.	.	.	.	.	.	.

Inspection Number	Parts Inspection Number
Time Stamp	Inspection time taken from Client PC (HH:MM:SS)
Failed Area	How much of the Label's area failed (% , significant digit: 3)
Angle offset	How much of the Label's angle failed (degree, significant digit: 3)
Result	Pass / Recycle/ Fail
Barcode String	Barcode string output if you enabled the barcode reader



Password Protection For preventing others from changing your Solution

[Software Function Specification: Gauge/Label in common specifications (Ver.1.2.0.0)]

Camera image	Displaying on the right panel of the application window
Camera Image size	640 × 480 pixel
Zoom in / Zoom out	Zoom in / Zoom out buttons
Cursor Location	Displaying X-Y coordinate at mouse cursor location
Pixel Intensity	Displaying Pixel intensity at mouse cursor location (0 ~ 255)
Solution ID	Displaying Current Solution ID (00 ~ 15)
Online Help	Microsoft® HTML Help
Setup Status Bar	Displaying current status (Not configured / Stopped / Ready to Run / Running)
Select solution panel	Starting new solution Loading last saved solution Importing solution from network client
Setup Sensor panel	
Sensor Trigger mode	Selectable Internal Trigger or External Trigger
Internal Trigger period	Settable from 35ms to 1000ms (1 step = 1ms)
Inspection Trigger Delay	Settable from 0ms to 1500ms (1 step = 1ms)
Light Control	
Duration	Settable from 0ms to 64ms (1 step = 1 ms)
Offset	Settable from 0μs to 2000μs (1 step = 1μs)
Local display refresh rate	Every 100 / Continuous / None
Exposure	Selectable from 1 to 1024 (1 step = 60.0μs)
Brightness	0% ~ 100%
Contrast	0% ~ 100% (with inverting contrast function)

\* Due to the level variation characteristics of the control amplifier, incremental change amount per step is not uniform.

Decision panel

Action when Images are skipped	Ignore / Stop when count reaches set value / Pass / Recycle / Reject
Action when frames are failed	Ignore / Stop when continuous or total count reaches set value

Setup Outputs panel

History Log	Selectable Enable or Disable
Decision output	
Output timing	Selectable Immediate or Decision sensor
Rejection Delay	Settable from 0ms to 1500ms (1 step = 1ms)
Duration	Settable from 0.1ms to 1000.0ms (1 step = 0.1ms)

Conditional output	Selectable Disable or Enable
if (Condition)	Create / Edit Condition
Then (Send)	Add / Edit Output string
To (Destination)	Add / Edit Destination
Serial (COM3) port settings	
Bit rate	Selectable 110 / 300 / 600 / 1200 / 2400 / 4800 / 9600 / 19200 / 38400 / 57600 / 115200bps *230400 / 460800 / 921600bps are not supported.
Data Bits	Selectable 5 / 6 / 7 / 8
Parity	Selectable Odd / Even / None / Mark / Space
Stop bit	Selectable 1 / 1.5 / 2
Flow control	None
TCP/IP	
Control unit role	Selectable "as client" or "as server"
As client	Define device IP address
As server	Alter or reassign Port Number
*The reliability of controlling external devices (such as a conveyer, a kicker or etc.) on the product line via Ethernet is NOT guaranteed.	
Inspection status	Selectable Ready to Run / Running
Monitoring	
Statistics Information	Displaying parts inspected number Displaying parts skipped number Displaying Pass / Recycle / Reject parts number
Inspection Information	Displaying set upped inspection information
Processing Time	Displaying the total time take to find (search) and inspect the part
Reset	Product line and Statistics
History Recall	Showing history records for inspected parts
Saving image	Bitmap image Image Data / Data Only / Nothing
Saving Solution	
To the Control Unit memory	Up to 16 solutions Settable Solution description (Up to 127 letters)
Export	Saving to PC or a network device
Deleting saved Solution	All / Current solution / Single Solution
[Software function specifications: Gauge Application (Ver.1.2.0.0)]	
Calibration	Measurement in real units with the calibration sheet

Take a picture	Taking a still or frozen picture
Location setup	
Position / Angle	Settable search area and search pattern
Origin Properties	Moving the origin to another location
Locator Properties	Confidence / Position / X / Y/ Rotation
	Naming each measurements
	Setting Tolerance
Edge Sensitivity	Settable from 1 to 100
Inspection tools	
Perpend Line-Line	measure the perpendicular distance between two edges
Line-Line	measure the distance between two edges
Point-Point	measure the distance between two points
Point-Line	measure the distance between one edge and one point
Angle	measure the angle between two edges
Corner	define a corner point, or measure the angle between two edges.
Circle	define a point, or measure the diameter or circularity of a circle
Circle-Circle	measure the distance between 2 circle centers
Circle-Line	measure the distance from a circle center to an edge
Point-Circle	measure the distance between a circle and one point
Concentric Circles	measure the distance from each circle center, to the average center
Ruler Properties	Naming measurement
	Setting Tolerance (settable units on the measurement)
	Settable Accuracy from 2 to 50
	Track locator (Enable / Disable)
Angle Properties	Naming measurement
	Setting Tolerance
	Settable Accuracy from 2 to 50
	Track locator (Enable / Disable)
Circle Properties	Diameter / Circularity
	Naming measurement
	Setting Tolerance (settable units on the measurement)
	Settable Accuracy from 8 to 72
	Track locator (Enable / Disable)
Concentricity Properties	Naming measurement
	Setting Tolerance
More inspection tools	
ROI (Region of Interest)	Selectable the shape (Line / Rectangle / Circle / Poly)

Count	count the number of objects in a ROI
Count Properties	Count / Area Naming measurement Setting Tolerance (settable units on the measurement) Selectable defecting bright object or dark object Settable Inspection Area / Length / Height Rejecting objects that touch edges (Enable / Disable) Track locator (Enable / Disable) Setting Sensitivity from 0 to 100
Edge count	Counting the edges crossed, along a line or the outline of the ROI.
Edge Count Properties	Count / Average Separation / Min / Max Naming measurement Setting Tolerance Selectable transition (Dark-Light / Light-Dark / Both) Track locator (Enable / Disable) Setting Sensitivity from 0 to 100
Intensity	Avg. / Min / Max /Std. Dev. measure pixel intensities in a ROI and calculate statistics
Statistics Properties	Naming measurement Setting Tolerance Track locator (Enable / Disable)
Eraser	delete a measurement
Tip Window	gives hints on drawing measurements
Color settings	changing colors of the measurement tools and graphics to suit your preference (HighLight1 / Actual Edge / User Drawn / User Drawn Same Tool / Gauge Point / Construct / Control Point / Landmark / Landmark 2 / Landmark Search / Pass / Warning / Reject)
Saving good parts image	Windows® Bitmap Image
Decision outputs setting	Define the conditions for part acceptance, recycling or rejections
Monitoring	
Statistics Information	Displaying parts inspected number Displaying parts skipped number Displaying Pass / Recycle / Reject parts number
Inspection Information	Displaying each measured value
Processing Time	Displaying the total time take to find (search) and inspect the part

Reset	Product line and Statistics
History Log	Recent 8 images and data of Pass / Recycle / Reject
Saving current parts image	Windows® Bitmap Image
Display	Image and Data / Data only / Nothing

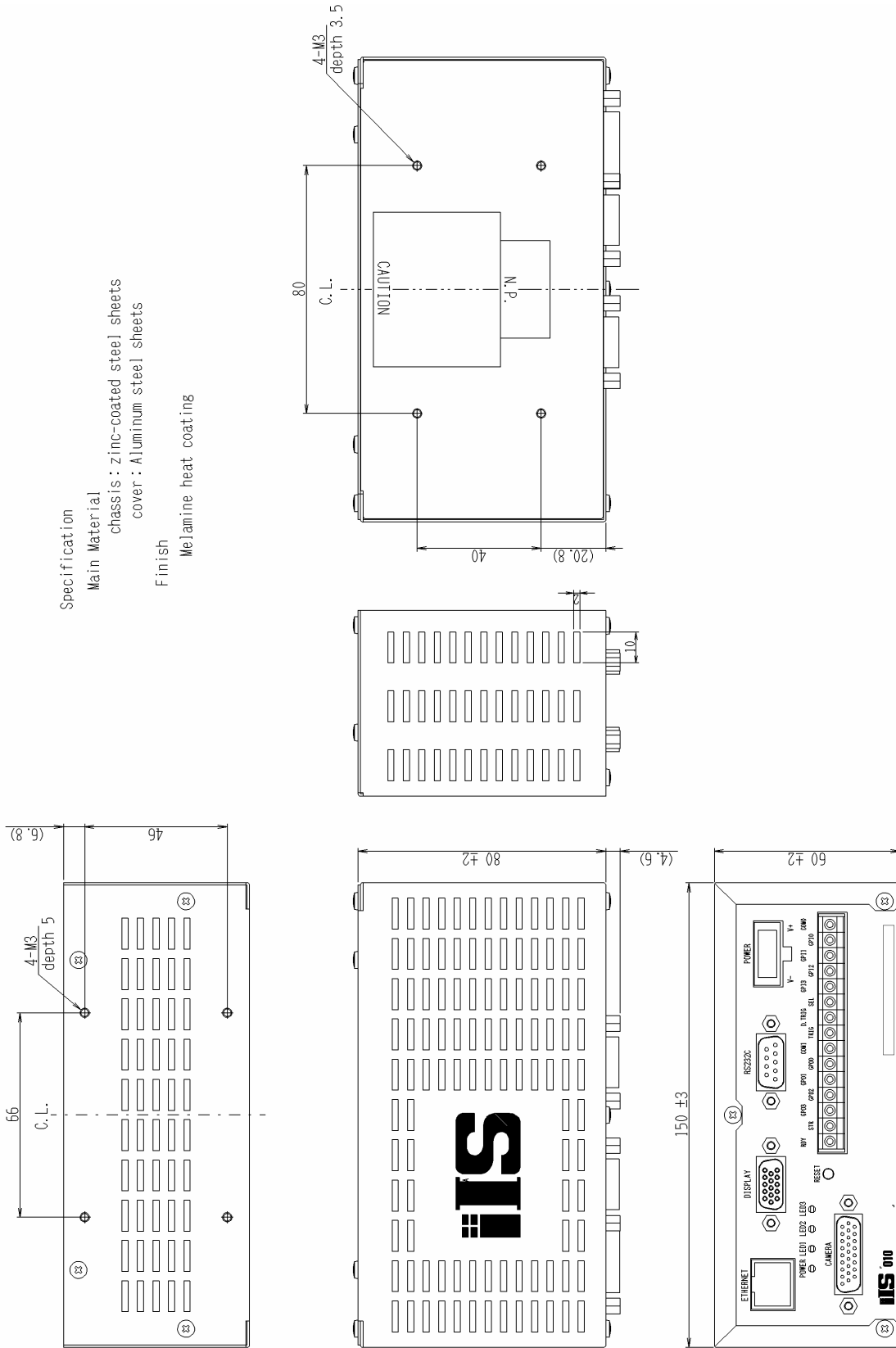
## [Software Function Specifications: iWorks Label (Ver.1.2.0.0)]

Take a Picture	Taking a still or frozen picture
Inspection Area Settings	Setting inspection area
	Setting search areas
	Define any areas to ignore
Barcode Reading (Optional)	Enable / Disable
Barcode change	None / Change
Inputting Barcode Value	If applicable
Inspecting as Part of the Label	Enable / Disable
Barcode Inspection Settings	Report Every Read / Report Only If Error
Inspection Settings	
Label Locator	On / Off
Label Rotation Tolerance	Settable $\pm 5^\circ$ (Maximum, 1step=0.25°)
Acceptable Tolerance	Contrast / Failed area
Learning Good Parts	
Acceptable Tolerance	Differences
Forgetting Learned Images	
Monitoring Inspections	
Statistics Information	Displaying parts inspected number
	Displaying parts skipped number
	Displaying Pass / Recycle / Reject parts number
Processing Time	Displaying the total time take to find (search) and inspect the part
Inspection Information	Label Quality
	Angle Offset
	Displaying barcode string (if you enabled the barcode reader)
Reset	Product line and Statistics
History Log	Recent 8 images and data of Pass / Recycle / Reject / Learn mode
Display	Image and Data / Data only / Nothing
Saving current image	Windows® Bitmap image format (*.BMP)

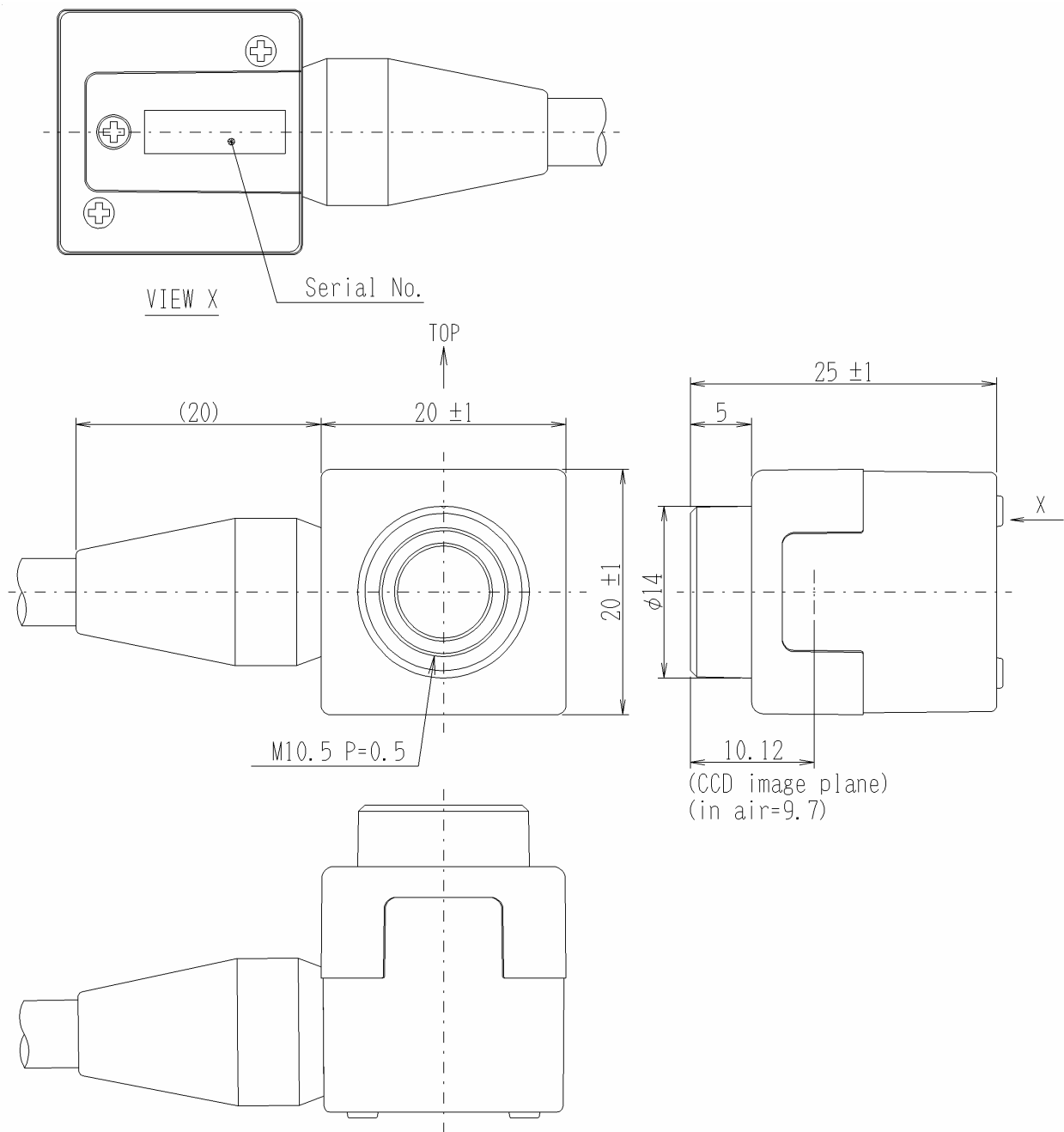
\* For detailed information operating procedures, see the operation manuals.

\* The design and specification may change without prior notice.

6. External View



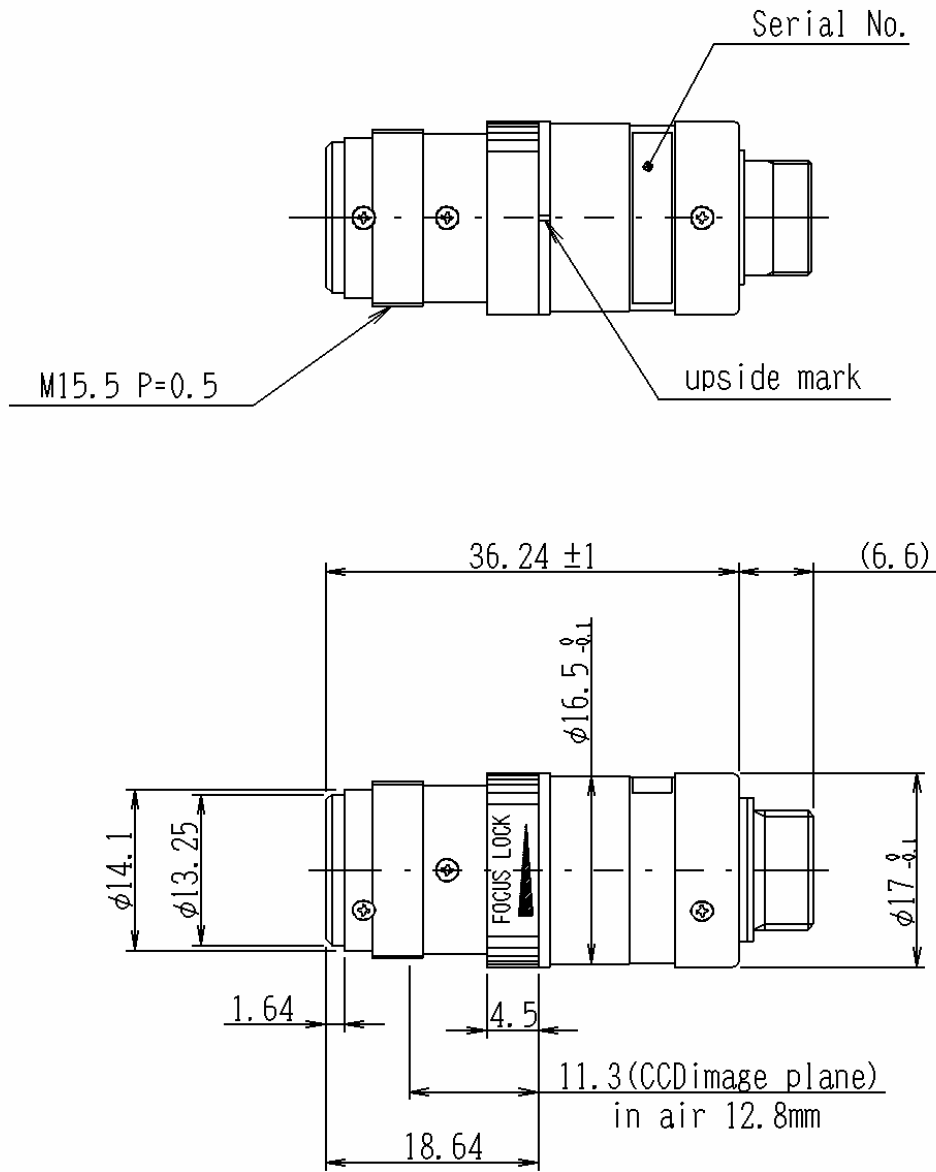
iIS-010 series control unit - external view



iIS-010

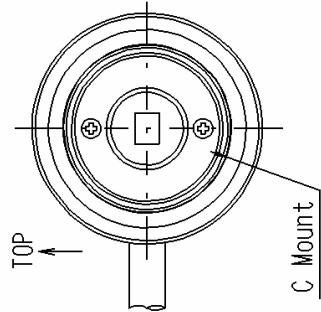
20mm square camera head - external view

Main Material ; Anti-corrosive Aluminum  
 Finish ; Black anodic oxide coating

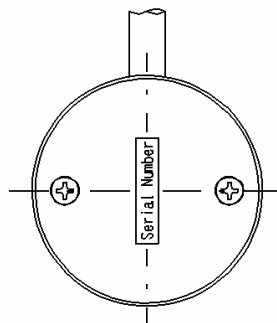
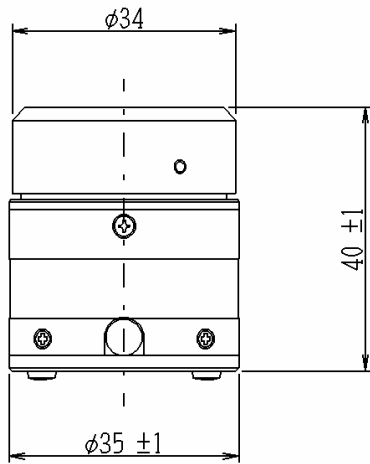


iIS-011  
 $\phi 17$ mm camera head- external view





Specification  
Main Material Anti-corrosive Aluminum Alloy  
Finish Black anodized aluminum (equivalent to munsell N1.5)



iIS-012

C mount camera head - external view

**• Restriction For Use**

- Should the equipment be used in the following conditions or environments, give consideration to safety measures and inform us of such usage:
  1. Use of the equipment in the conditions or environment contrary to those specified, or use outdoors.
  2. Use of the equipment in applications expected to cause potential hazard to people or property, which require special safety measures to be adopted.
- This product can be used under diverse operating conditions. Determination of applicability of equipment or devices concerned shall be determined after analysis or testing as necessary by the designer of such equipment or devices, or personal related to the specifications. Such designer or personal shall assure the performance and safety of the equipment or devices.
- Do NOT place your device near any noises generating source. Correct result outputs may be not obtained causes the inputted data are disturbed. Take extra precautions against electromagnetic-wave-interference if the camera is used with a servomotor, inverter, or other electromagnetic-wave-generating equipment.
- This product is not designed or manufactured to be used for control of equipment directly concerned with human life(\*1) or equipment relating to maintenance of public services/functions involving factors of safety(\*2). Therefore, the product shall not be used for such applications.

(\*1): Equipment directly concerned with human life refer to:

Medical equipment such as life-support systems, equipment for operating theaters.

Exhaust control equipment for exhaust gases such as toxic fumes or smoke.

Equipment mandatory to be installed by various laws and regulations such as the Fire Act or Building Standard Law.

Equipment related to the above.

(\*2): Equipment relating to maintenance of public service/functions involving factors of safety refer to:

Traffic control systems for air transportation, railways, roads, or marine transportation.

Equipment for nuclear power generation.

Equipment related to the above.

Although sufficient check is performed about translation of these specifications, we will apply a Japanese sentence, if a doubt should occur.

**• Precautions**

- The contents of this manual may not be reproduced in whole or in part without prior written consent from TELI (Tokyo Electronic Industry Co., Ltd.).
- The contents of this manual may be revised without notice to reflect future product modifications.
- If the CCD Camera or the system using the CCD Camera is subject to strategic products or technologies as set forth in Foreign Exchange and Foreign Trade Control Laws, an export license by the Japanese Government is required before it can be transported to other countries.
- While every precaution has been taken in the preparation of the operation manual to ensure accuracy and completeness, some errors may remain. Please contact TELI if you find any inaccuracies or ambiguities.
- Before connecting and using any other with the CCD Camera, please read the operation manual for the equipment to familiarize yourself with usage precautions and correct operating procedures.
- Some files and data are copyrighted or protected by other rights. Make sure you are familiar with pertinent responsibility and liability issues before duplicating or distributing such data. TELI assumes no responsibility or liability for illegal handling of data or problems involving copyrighted printed matter.
- If used in conjunction with equipment not previously verified for compatibility by TELI, the CCD Camera may become defective, break down, or operate unreliably. In these cases, the purchaser may be required to bear the cost of any repairs. For information on hardware compatibility, please contact TELI, or a TELI dealer or distributor.

**• Exemption Clauses**

- TELI assumes no responsibility or liability for damage arising from fire, earthquake, an act by a third party or other accidents, or intentional or careless error or misuse by the user, or use under abnormal conditions.
- TELI assumes no responsibility or liability for incidental damages (e.g., loss of business profits or interruption of business) arising from use of or inability to use the camera equipment.
- TELI assumes no responsibility or liability in the case damages or losses are caused by failure to observe the information contained in the operation manual and specifications.
- TELI assumes no responsibility or liability in the case damages or losses are caused by use contrary to the instructions in this operation manual and specifications.
- TELI does NOT guarantee the items that are not described in the specification.
- TELI assumes no responsibility or liability in the case damages or losses are caused by malfunction or other problems resulting from use of equipment or software that is not specified.
- TELI assumes no responsibility or liability in the case damages or losses are caused by repair or modification conducted by the customer or any unauthorized third party (such as an unauthorized service representative).
- The CCD Camera is not designed for use in mission-critical or life-support applications, facilities, or equipment, such as medical equipment, nuclear facilities and equipment, aerospace equipment, or

transportation facilities and equipment, or any other application, facility, or equipment that requires extreme reliability. TELI assumes no responsibility or liability for injury, fire, or consequential damages arising from failure of the CCD camera in such applications.

- Expenses we bear on this product shall be limited to the individual price of the product.



## **TOSHIBA TELI CORPORATION**

---

**Head Office:** 7-1, 4 chome, Asahigaoka, Hino-shi, Tokyo, 191-0065, Japan  
(Overseas Sales Department)

Phone: +81-42-589-8771 Fax: +81-42-589-8774

URL: <http://www.toshiba-teli.co.jp>

---

## Free Manuals Download Website

<http://myh66.com>

<http://usermanuals.us>

<http://www.somanuals.com>

<http://www.4manuals.cc>

<http://www.manual-lib.com>

<http://www.404manual.com>

<http://www.luxmanual.com>

<http://aubethermostatmanual.com>

Golf course search by state

<http://golfingnear.com>

Email search by domain

<http://emailbydomain.com>

Auto manuals search

<http://auto.somanuals.com>

TV manuals search

<http://tv.somanuals.com>