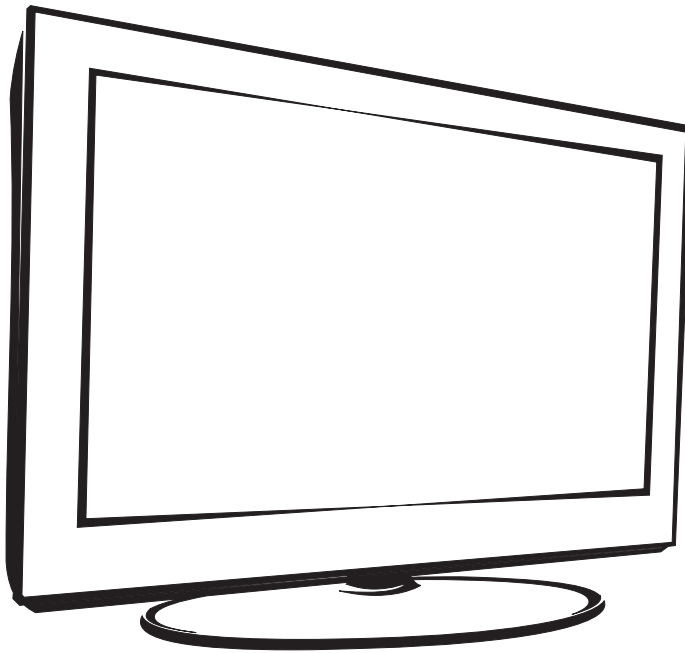


SERVICE MANUAL

8M26S CHASSIS



Design and specifications are subject to change without prior notice.
(Only Reference)

SIZE:A5

Description: SERVICE MANUAL 8M26S	
MODEL.	Brand Name: SKYWORTH
JOB NO.	
<i>Engineering Dept:</i>	
Artwork By:	Date: 2011-8-10
Checked By:	Date:
Approved By:	Date:

Content

Content-----	2
Technical Specification-----	3-9
Chassis Block Diagram-----	10
IC Block Diagram-----	11-17
Transistor Mark-----	18
Main PCB Top/Bottom Layer-----	19-20
Service Adjustments-----	21-28
Function Overview-----	29-45
Service Flow Chart-----	46-49
Circuit Diagrams-----	50-57

Technical Specification

1.Application Area:

This product standard is used for LED 8M26S chassis.

2.Specification:

All the standard are measured under following conditions without other specification.

- 2.1 Ambient Temperature:20+/-5°C
- 2.2 Relative Humidity:65+/-10%
- 2.3 Power Supply Voltage: Standard Input Voltage(100V~240Vac 50/60Hz)
- 2.4 Adjust after 20 minutes warm-up.

3.Test and check method:

- 3.1 Capability:According to nation test standard
- 3.2 Safety:_____ standard
EMC:_____ standard

Technical Specification

4. General Specification

No	Item	Specification	Remark
1.	Receiving and sending method	NTSC-M PAL-M PAL-N	
2.	Receive Channel	VHF LOW 2~B VHF HIGH C~W+11 VHF W+12~69	55.25MHz ~ 127.25MHz 133.25MHz ~ 311.25MHz 367MHz ~ 801.25MHz
3.	Input Voltage	100-240V ~ 50/60HZ	
4.	Market	South America	
5.	Tuning System	PLL System	
6.	Operating Environment	1) Temp : 0 ~ 40 deg 2) Humidity : 40 ~ 85 %	
7.	Storage Environment	3) Temp : -20 ~ 50 deg 4) Humidity : ~ 90 %	

5. Feature and Function

No	Item	Specification	Remark
1.	CCD	YES	
2.	REMOCON	TOSHIBA CODE	
3.	AV Input	2 REAR, 1 SIDE	
4.	Component input	1 REAR	
5.	S-VIDEO	NO	
6.	RGB Input	YES	
7.	2 Carrier Stereo	NO	
8.	BTSC Stereo	YES	
9.	2 Carrier Dual	NO	
10.	NICAM Dual	NO	
11.	SSC (Split Screen) Mode	NO	
12.	MUP (Multi Picture Display) Mode	YES	
13.	Film Mode	NO	
14.	Noise Reduction	NO	
15.	Progressive Scan	YES	
16.	Motion Detection	NO	
17.	Dolby Virtual	NO	
18.	Swivel Speaker	NO	

Technical Specification

6. Safety and Regulation

No	Item	Min	Typ	Max	Unit	Remark
1.	Force Stability – Incline Plane Tip Test		10		deg	
2.	Force Stability – Level Tip Test		100		N	
3.	Isolation Gap, AC-AC/ AC-DC	3			mm	
4.	Isolation Gap	6			mm	
5.	Power Consumption, Max		40		W	For 22" LED
			55		W	For 24" LED
			80		W	For 32" LED
6.	Power Consumption, Stand by			1	W	
7.	Dielectric Voltage	3			kV	
8.	Isolation Resistance	4			M Ω	
9.	Leakage Current		5		mApp	
10.	Power Cord Captivity		40		N	
11.	Flammability – Back Cover		PASS			
12.	Sharp Edge		PASS			
13.	UL Compliance		NO			
14.	FCC Compliance		NO			
15.	CDRH Radiation Compliance		NO			
16.	CSA Compliance		NO			
17.	CEB Compliance		NO			
18.	CE Compliance		NO			
19.	CB Compliance		YES			

7. Video

No	Item	Min	Typ	Max	Unit	Remark
1.	Linearity Distortion, Vertical		1		%	
2.	Linearity Distortion, Horizontal		1		%	
3.	Trapezoidal Distortion, Vertical		1		%	
4.	Trapezoidal Distortion, Horizontal		1		%	
5.	Over Scan, Vertical	90	93	95	%	
6.	Over Scan, Horizontal	90	93	95	%	
7.	Video Noise Limited Sensitivity(@S/N=30db) VHF			51	dBV	
8.	Video Noise Limited Sensitivity(@S/N=30db) UHF			54	dBV	

Technical Specification

10.	Selectivity -1.5M	35			dB	
11.	Selectivity +8M	40			dB	
12.	Tuning Range	-0.7			MHz	

8. Chroma

No	Item	Min	Typ	Max	Unit	Remark
1.	White Balance, X axis		280			
2.	White Balance, Y axis		290			
3.	White Balance, Color Temperature	6500	9300	13000	kdeg	13000kdeg(268,273) 9300(281,311) 6500(313,329)
4.	Color Sensitivity		30		dB	
5.	Color Burst Lock-in Range	+/-300			Hz	
6.	Color Killer Sensitivity		30		dB _{uv}	

9. Audio

No	Item	Min	Typ	Max	Unit	Remark
1.	Audio Noise Limited Sensitivity, VHF-L		25		dB _{uv}	
2.	Audio Noise Limited Sensitivity, VHF-H		25		dB _{uv}	
3.	Audio Noise Limited Sensitivity, UHF		28		dB _{uv}	
4.	Buzz (S/N Ratio)		40		dB	
5.	Distortion		3		%	
6.	Audio Output, L/R, at 10% THD		5		W	
7.	Audio Output, Center		5		W	
8.	Stereo Separation		21		dB	
9.	Speaker Impedance		8		ohm	(24 inches is 4 ohm)
10.	Speaker Power Rating		5		W	(24 inches is 3W)

Technical Specification

10. Power

No	Item	Min	Typ	Max	Unit	Remark
1.	DC Voltage, Audio		12		V	
2.	DC Voltage, Tuner(5)		5		V	
3.	DC Voltage, Tuning(32)		33		V	

11. External Interface

No	Item	Min	Typ	Max	Unit	Remark
1.	Video Input Level		1		Vpp	75 OHM
2.	Video Input Frequency Response	4.5			MHz	
3.	Video Input S/N		40		dB	
4.	Audio Input Level		0.5		Vrms	
5.	Audio Input Frequency Response			15	kHz	
6.	Audio Input S/N		40		dB	
7.	Audio Input Distortion		3		%	
8.	Audio Input Dynamic Range			2	V	
9.	Video Output Level		1		Vpp	
10.	Video Output Frequency Response		4.2		MHz	
11.	Video Output S/N		50		dB	
12.	Audio Output Level		0.5		Vrms	
13.	Audio Output Frequency Response	80		12000	Hz	
14.	Audio Output S/N		40		dB	
15.	Audio Output Distortion		3		%	

Technical Specification

16.	Video Input Level, R/G/B		0.7		Vpp	
17.	Video Input Level, Component(Y, P _B , P _R)		0.7		Vpp	75 ohm
18.	RGB Input Horizontal Frequency		68		kHz	
19.	RGB Input Frame Rate		60		Hz	

12. The others

No	Item	Min	Typ	Max	Unit	Remark
1.	Search Sensitivity		40		dBuv	
2.	Clock, real time gain or loss (sec per day)		NO		sec	
3.	Soft Ware Functionality Test		YES			
4.	REMOCON Working Sensitivity, Straight		8		m	
5.	REMOCON Working Sensitivity, T/B/L/R		6		m	
6.	Closed Caption Sensitivity		46		dBuv	
7.	Teletext Sensitivity		46		dBm	
8.	Resonance of unit (Sweep freq : 50 ~ 1000)		NO			

13. Customer Menu Setup (as shipped condition)

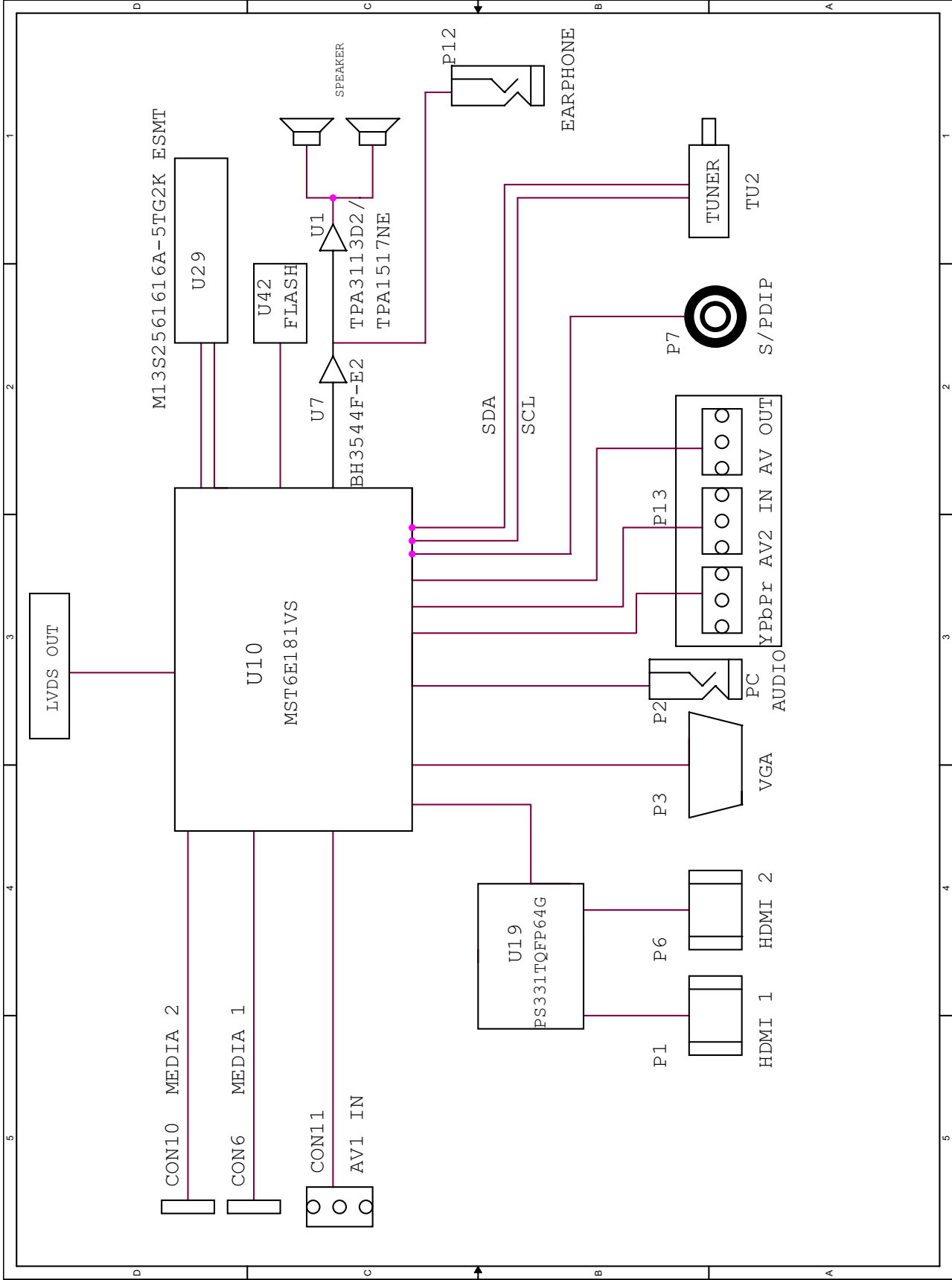
No	Item	Specification	Remark
1.	PSM	Standard	
2.	SSM	Standard	
3.	Volume	20	
4.	Mute	Off	
5.	Input Mode	RF	
6.	Customer Menu Language	Spanish	
7.	AVL	Off	
8.	Sleep Timer	Off	
9.	Auto Sleep	Off	
10.	Blue Back	Off	
11.	Surround	On	
12.	Caption	Off	
13.	Noise Reducer	Off	

Technical Specification

14. Reliability

No	Item	Min	Typ	Max	Unit	Remark
1.	ESD			4	kV	IEC-1000-4-2
2.	EFT/Burst			2	kV	IEC-1000-4-4
3.	Surge Immunity			4	kV	IEC-1000-4-5
4.	Voltage Dip Test, 10ms	0	40	70	%	IEC-1000-4-11
5.	Voltage Dip Test, 100ms	0	40	70	%	IEC-1000-4-11
6.	Operation Temperature	0		40	deg	
7.	Operation Humidity	40		85	%	
8.	Storage Temperature	-20		50	deg	
9.	MTBF (Confidence Level : 90 %)		30000		hour	

Chassis Block Diagram



IC Block Diagram

U20 U23 U31 (3.3V/1A 3-TERMINAL POSITIVE VOL TAGEREGULATOR) LD1117-3.3 SOT-223

1A LOW DROPOUT LINEAR REGULATOR **LD1117** Functional Block Diagram

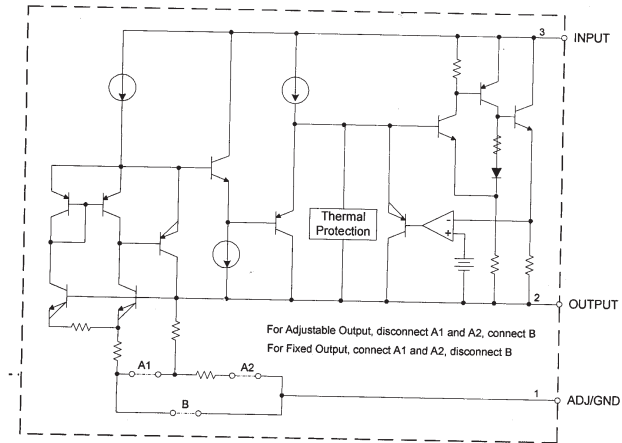
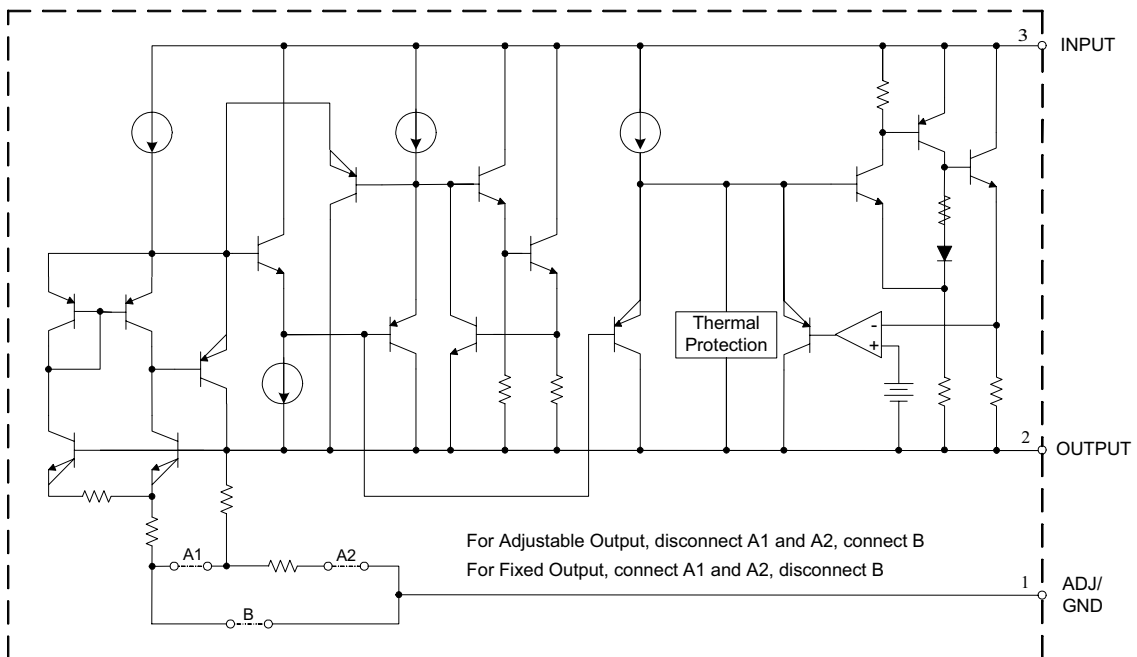
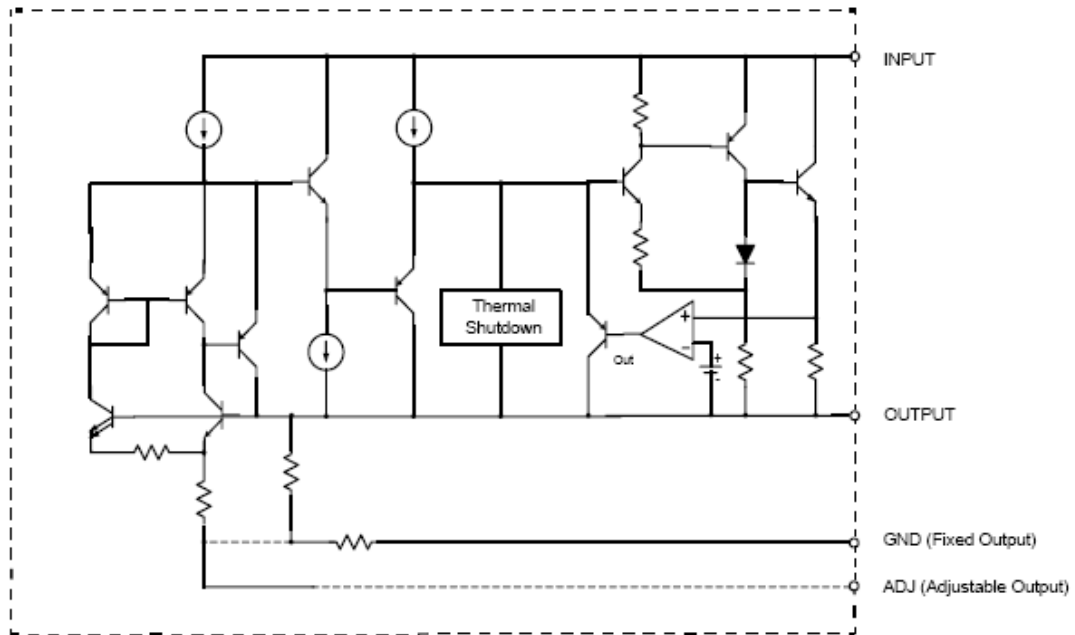


Figure 3. Functional Block Diagram of LD1117

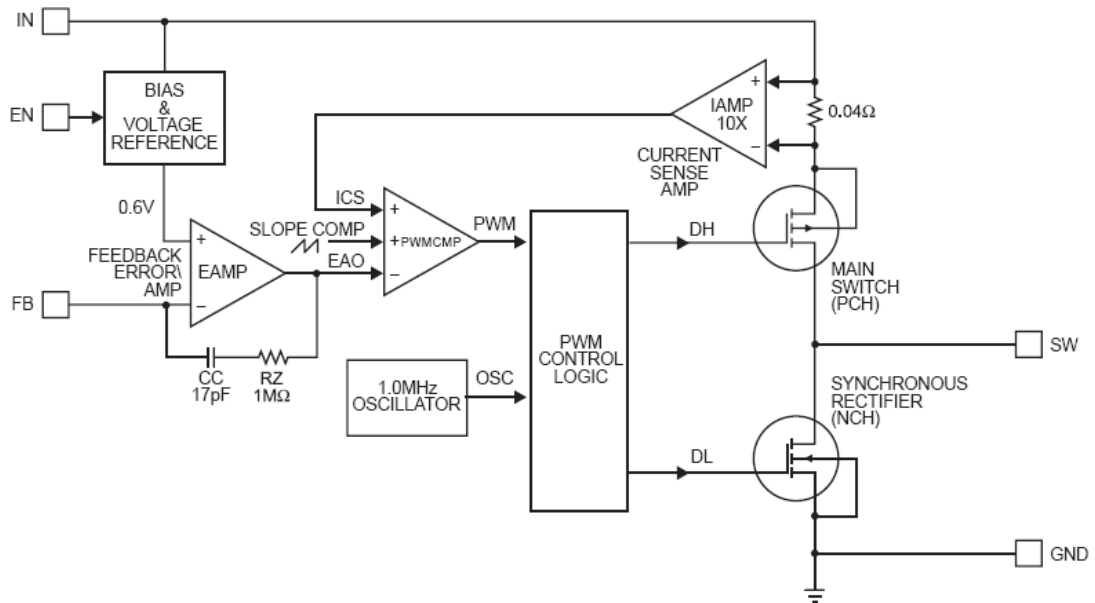
U27 (2.5V/5A LOW DROPOUT LINEARAR REGULATOR) LD1084-ADJ TO-252



U28 (1A 3.3V SOT-223) AS1117L-ADJ



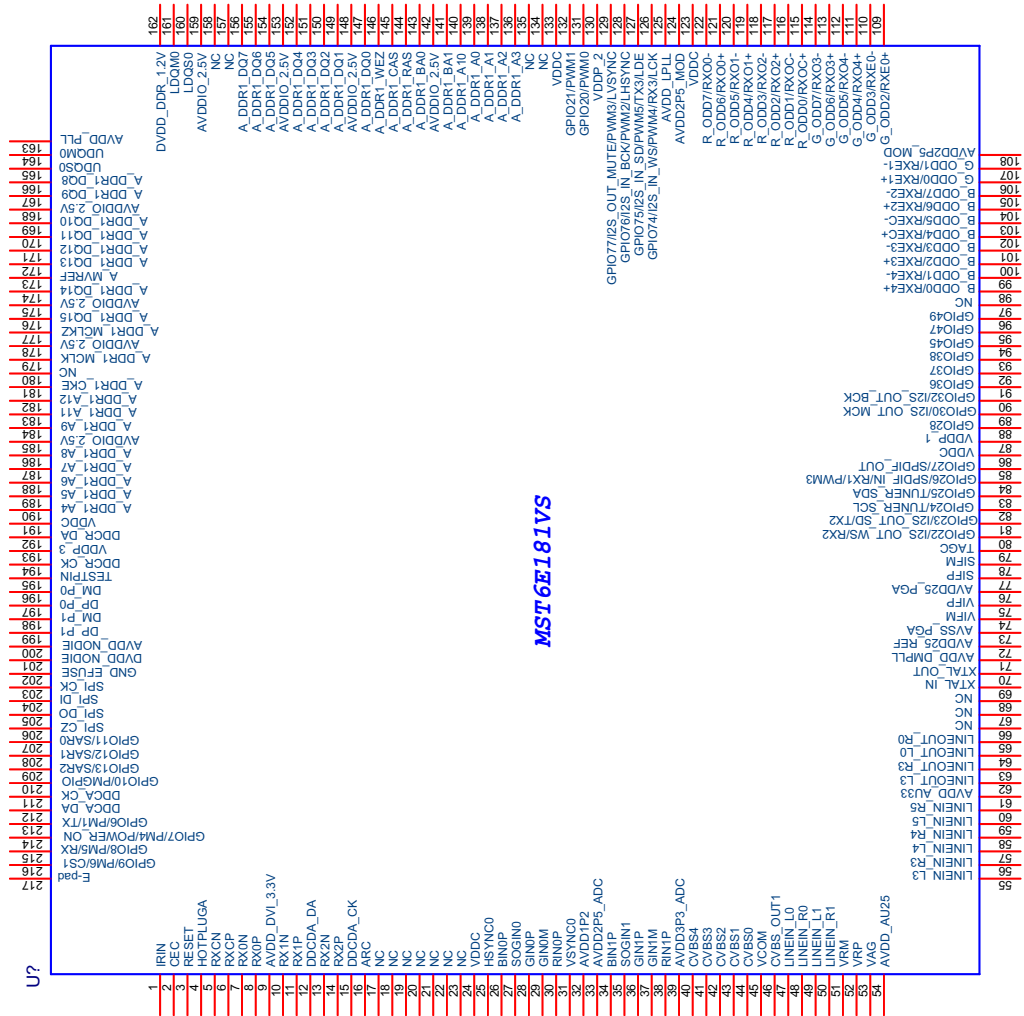
U6 ((1MHZ,800MA SYNCHRONOUS STEP-DOWN CONVERTER) MP2105DJ TSOT23-5



IC Block Diagram

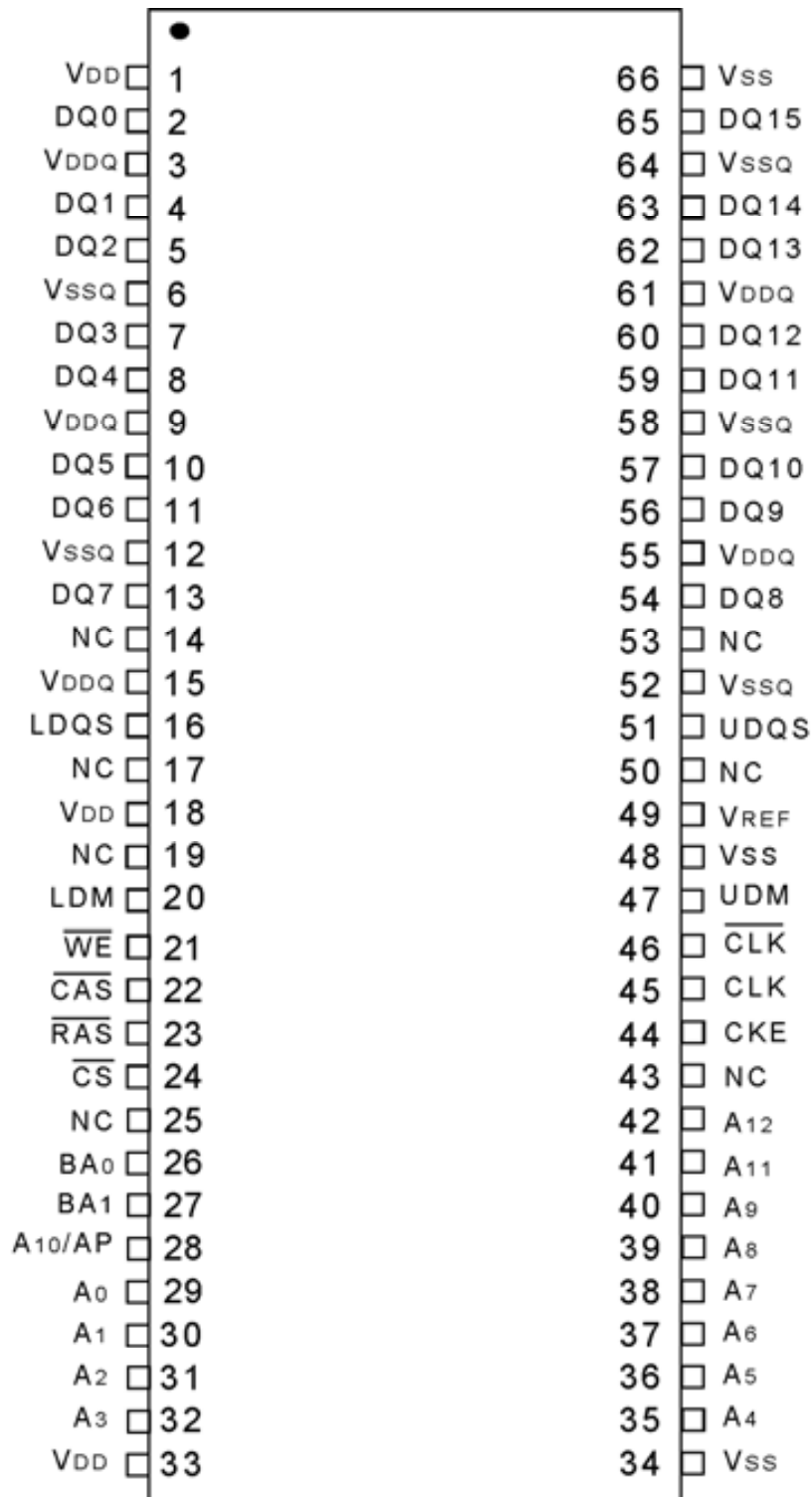
U10(LCDTV CONTROLLER WITH VIDEO ECODE)MST6E181VS

PIN DIAGRAM (MST6E181VS)



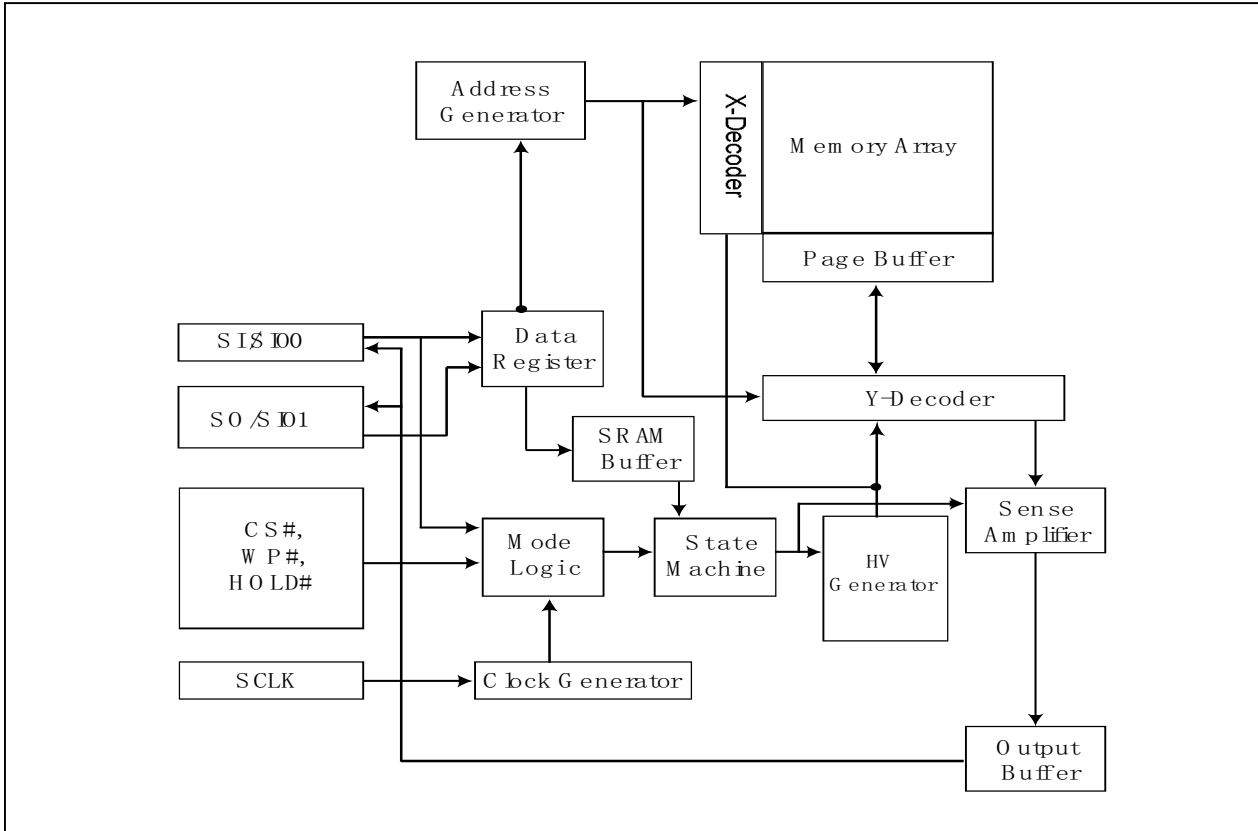
IC Block Diagram

U29 (4MX16BIT BANKS DDR) M13S2561616A-5TG2K



IC Block Diagram

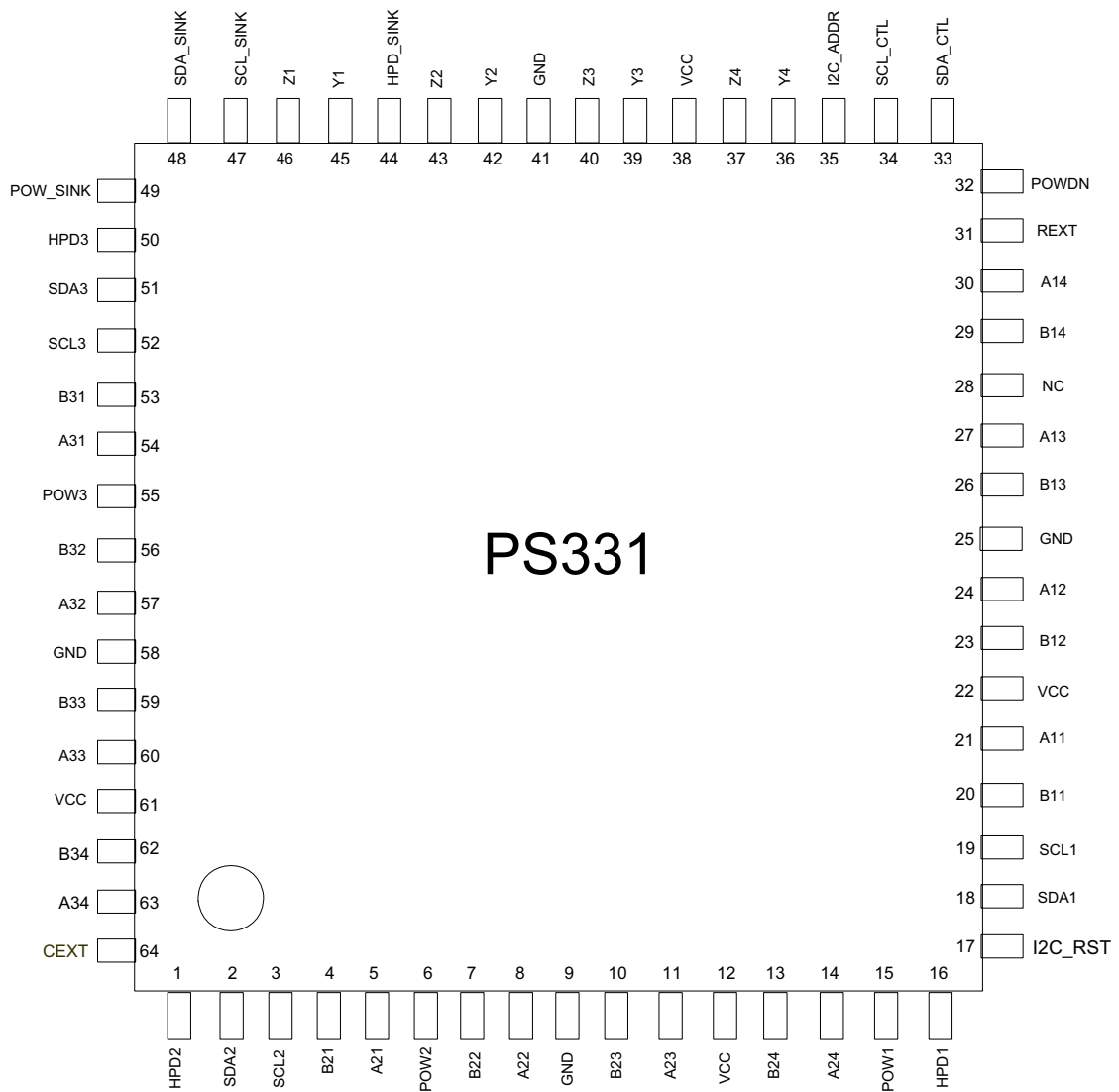
U42 (32M BIT CMOS SERIAL FLASH) SOP8



IC Block Diagram

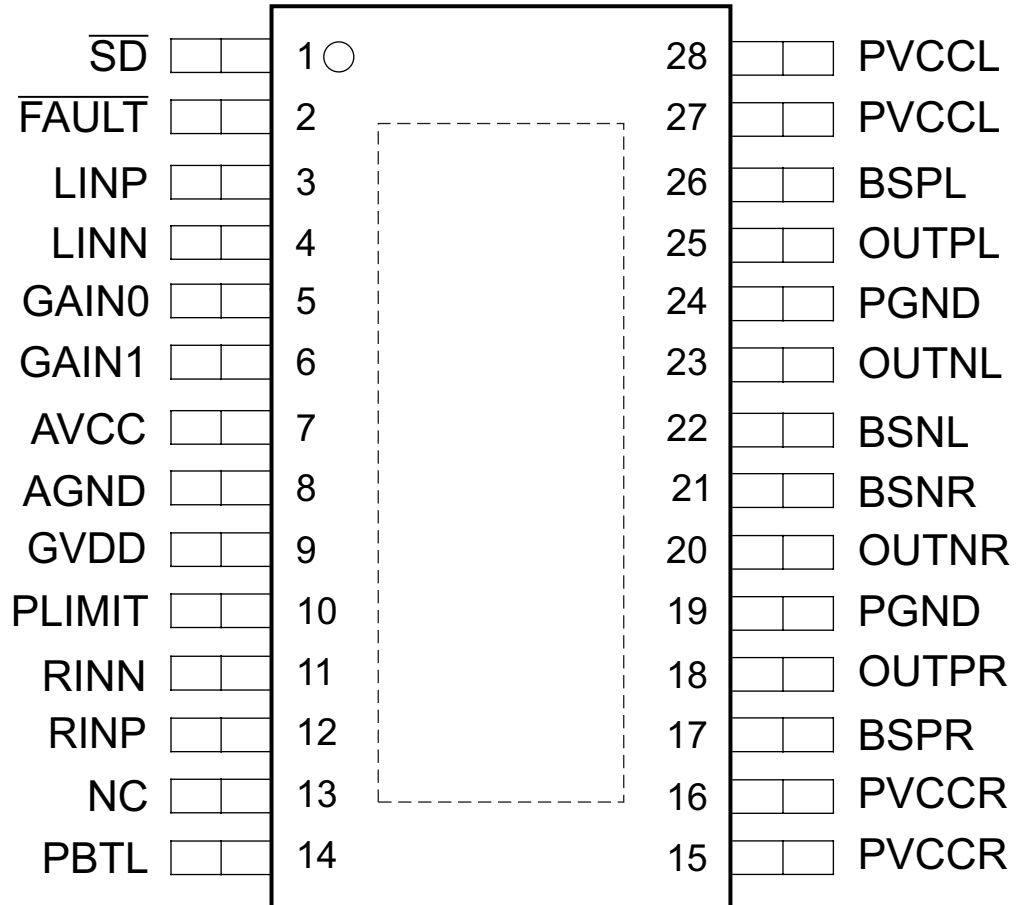
U19(HDMI SWITCH) PS331TQFP64G

Sil9185 Pin Mapping

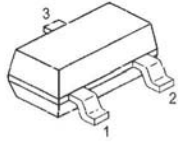


IC Block Diagram

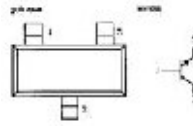
U1(DUAL BTL CLASS DAUDIO AMPLIFIER) TPA3113D2



Transistor Mark

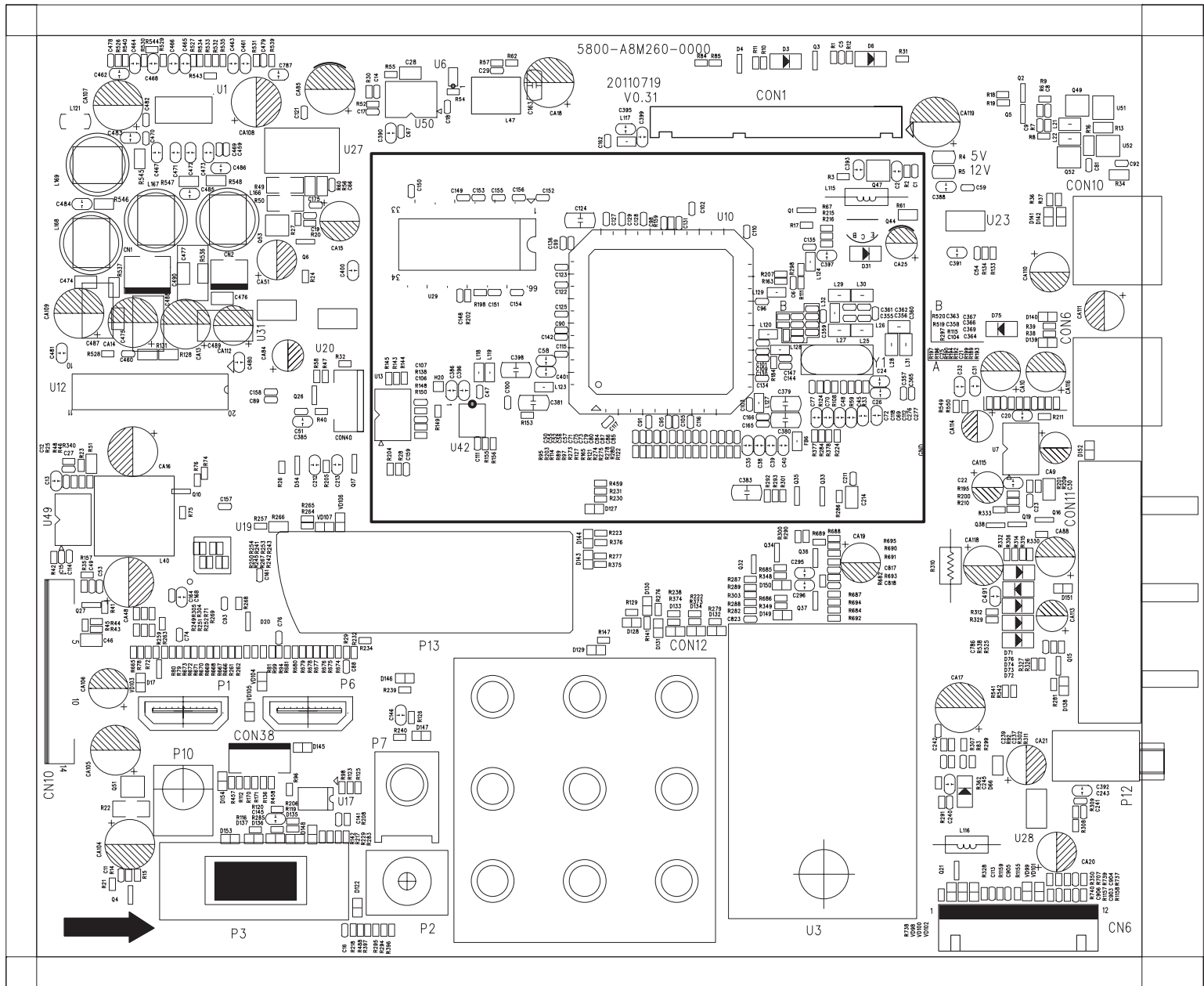


SMBT3906



PMBT 3904

Main PCB Top/Bottom Layer



8M26S Factory Adjust Menu

(V0.2)

1. Description

Enter factory mode:

Open source menu, and then press digital button “3”, “1”, “9” , “5” in turns to enter the factory menu. Press ↑ and ↓ button to choose the item, press OK button enter the submenu, press ← and → button to adjust the value.

Leave factory mode:

Press menu button to back to upper menu until leave factory mode.

Software information:

Enter factory mode, you can get the software information from the bottom of menu.

Panel information:

Enter factory mode, enter “PANEL SETTING” item, you can get the panel information from the bottom of menu.

Aging mode:

Enter factory mode, select “SYSTEM SETTING” item, press OK button enter, select “AGING MODE” item, press → button open aging mode.

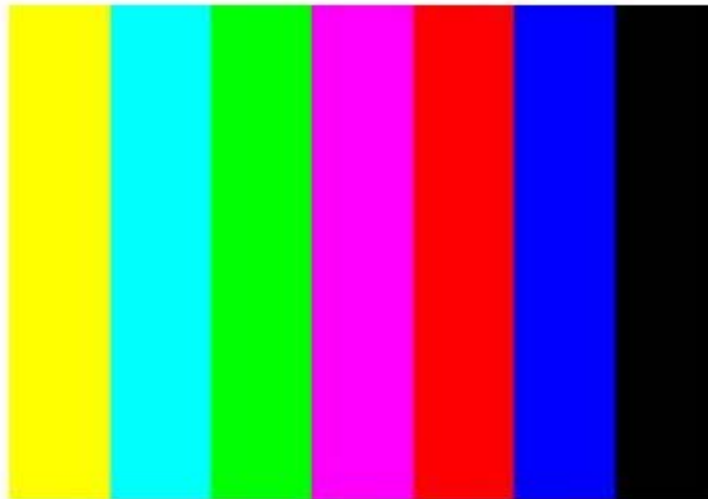
Note: You can press the shortcut key in the factory remote control to open or close the aging mode.

ADC adjusts:

YPBPR source ADC:

Switch to YPBPR source, input 100% color bar pattern, enter factory, select “AUTO ADC” item in the “ADC CALIBRATION”, press → button to begin auto adjust. When it is finish, it will show “OK” or “FAILE”. If “FAILE” is showed, you need to try again.

NOTE: YPBPR ADC need to do twice by use 576P and 720P signal separate.



VGA source ADC:

Switch to PC source, input tessellated white and black signal, enter factory, select “AUTO ADC” item in the “ADC CALIBRATION”, press → button to begin auto adjust. When it is finish, it will show “OK” or “FAILE”. If “FAILE” is showed, you need to try again.



White balance:

Enter factory mode, enter “WHITE BALANCE” item, you can adjust white balance in this menu.

Over scanning:

Enter factory mode, enter “PANEL SETTING” item, enter “OVERSCAN” item, you can adjust the over scan in this menu.

Factory reset:

Enter factory mode, enter “SYSTEM SETTING” item, select “FAC RESET DEFAULT” item and press OK button to reset the flash memory. TV set will restart when it is finish.

Update software (by USB):

Copy the new software (name by “MERGE.bin”) to the root directory of USB drive. Plug the drive to the USB socket (if there are two USB socket, make sure you use the socket 1). Enter factory, select “Software Update (USB)” item and press OK button to begin update. TV set will

restart when finish. Note, you need to restart the TV set again by AC power.

We suggest you need to do “**Factory reset**” after software update.

2. More information

FACTORY MENU		Default Value	Remark
ADC CALIBRATION			
	MODE		Select source
	R-GAIN		Red gain
	G-GAIN		Green gain
	B-GAIN		Blue gain
	R-OFFSET		Red offset
	G-OFFSET		Green offset
	B-OFFSET		Blue offset
	AUTO ADC		Auto ADC calibration
WHITE BALANCE			
	MODE		Select source
	TEMPERATURE		Select Neutral/Warm/Cool/Personal
	R-GAIN		Red gain
	G-GAIN		Green gain
	B-GAIN		Blue gain
	R-OFFSET		Red offset
	G-OFFSET		Green offset
	B-OFFSET		Blue offset
	COPY ALL		Copy there values to all source!
PANEL SETTING			
	TI MODE		LVDS data format
	LVDS PORT		LVDS data interface

	LVDS BIT			
	PWMFREQUENCY			TTL PWM frequency
	PWM DUTY			TTL PWM duty
	OVERSCAN			
		OVERSCAN_RESOLUTION		
		HPOSITION		Horizontal position
		VPOSITION		Vertical position
		HSIZE		Horizontal size
		VSIZE		Vertical size
SYSTEM SETTING				
	FAC. HOTKEY			Factory hot key enable
	TTX BRI			Teletext brightness
	WHITE PATTERN			White test pattern enable
	POWER REMIND			No signal power off time
	BLUE SCREEN			No signal blue screen enable. (TV source exclusion)
	VIDE AGC			Vide AGC
	DLC			DLC enable
	WHITE BLACK STRENGTH			White/black strength enable
	POWER CONDITION			Power state remember
	FAC RESET DEFAULT			Reset all value to factory default
	OUT FACTORY SET			Reset some value to out box mode
	AGING MODE			Aging mode enable
	NO SIGNAL MUTE AMP			Mute amplifier No signal
	AGC GAIN			Vide AGC gain
LANGUAGE SETTING				

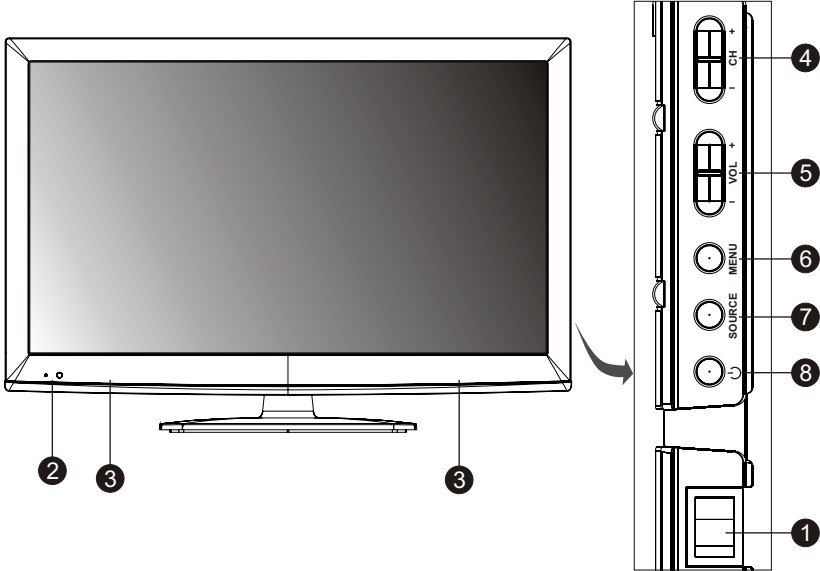
	S-CHINESE			
	SPANISH			
	FRENCH			
	PORTUGUESE			
	BGI CHINESE			
SOURCE SETTING				
	TV			
	AV1			
	AV2			
	AV3			
	SCART			
	HDMI1			
	HDMI2			
	HDMI3			
	YPBPR1			
	USB1			
	USB2			
ANALOG CURVE				
	MODE			
	PICTURE MODE			
	BRIGHTNESS CURVE			
	CONTRAST CURVE			
	SATURATION CURVE			
	HUE CURVE			
	SHARPNESS CURVE			

	VOLUME CURVE			
	BACKLIGHT			
HOTEL FUNCTION				
	HOTEL MODE			Hotel mode enable
	IR LOCK			
	LOCAL KEY LOCK			
	USER SETTING SAVE			
	VOLUME FIXED			
	POWER ON VOL VALUE			
	MAX VOLUME			
	POWER ON SOURCE			
	SCALE LOCK			
	CHANNEL SEARCH LOCK			
OTHER OPTION				
	SSC			LVDS and DDR frequency setting
	UART DEBUG			Debug port mode
	VIF1			VIF setting
	POWER ON LOGO			Logo enable
	NICAM			Nicam enable
	LOGO SET IN USB			Setting logo by use the USB picture
	USB SRC NAME			Change USB name: UPLAY/USB/MEDIA
Software Update(USB)				

EXTERNAL SCHEMATIC AND INSTALLATION

Front Panel

Note: The graphics are for representation only.

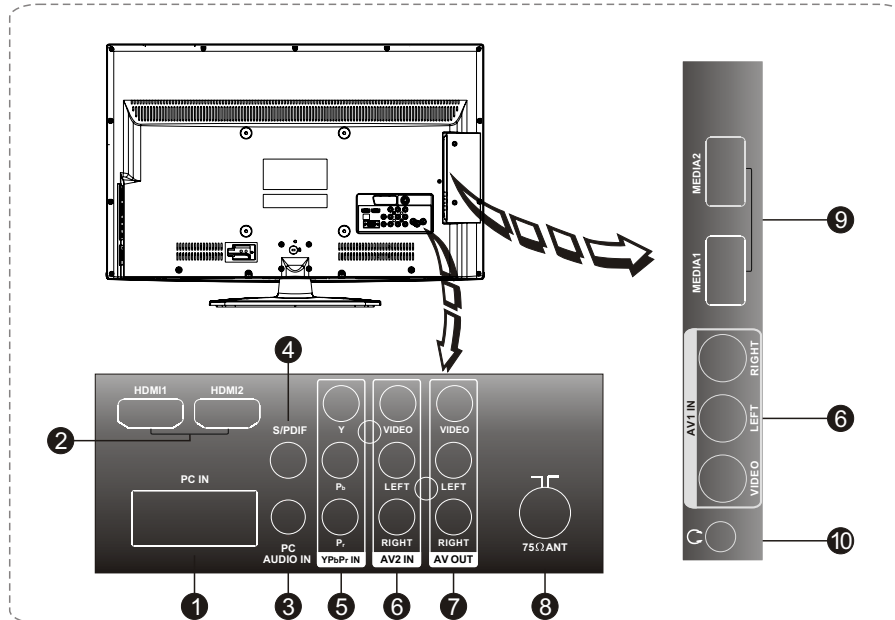


- 1. Power Button
- 2. Power Indicator / Remote Sensor
- 3. Speakers
- 4. Channel Up/Down Button
- 5. Volume Up/Down Button
- 6. Menu Button
- 7. Source Button
- 8. Standby Button

EXTERNAL SCHEMATIC AND INSTALLATION

Back Panel

Note: The graphics are for representation only.

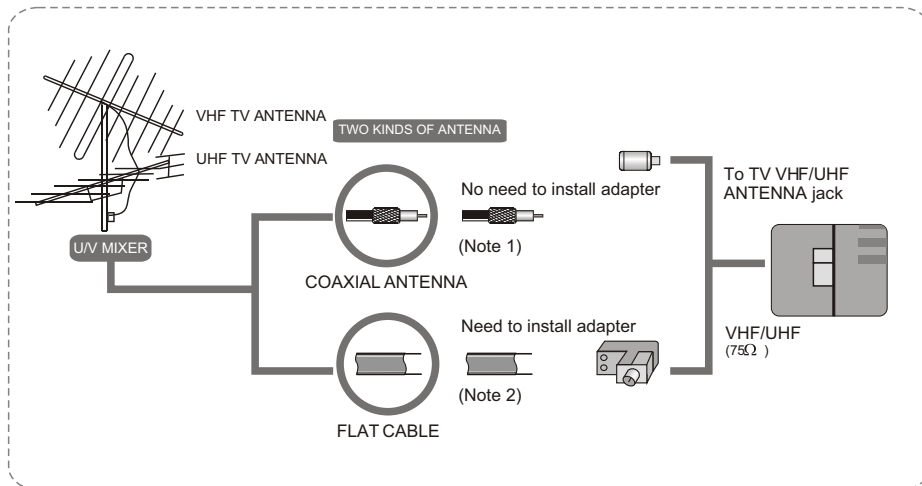


1. **PC IN:** Connect a PC via a VGA cable.
2. **HDMI1\HDMI2:** Connect HDMI input signal from signal source such as DVD.
3. **PC AUDIO IN:** Audio input for PC and Audio input.
4. **S/PDIF:** Use a digital optical cable to connect your TV to a compatible audio receiver.
5. **Y Pb Pr(Component input):** Connect YPbPr signal from signal source such as DVD.
6. **AV1 IN / AV2 IN:** Connect AUDIO and VIDEO input signal from signal source such as DVD.
7. **AV OUT:** Connect AUDIO and VIDEO output signal.
8. **RF IN:** Connect a coaxial cable to receive signal from the antenna or cable.
9. **MEDIA1\MEDIA2:** MEDIA port.
10. **EARPHONE:** Audio output, speakers will be muted when earphone plugged.

EXTERNAL SCHEMATIC AND INSTALLATION

Antenna /Cable Connection

There are two kinds of antenna in use.



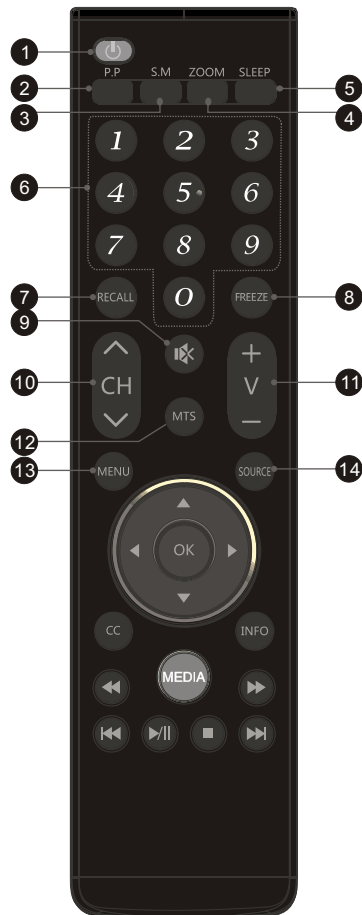
1. Connect the plug of the antenna cable or CATV cable to the cable (not provided with this unit), then connect to the antenna input of this unit for best reception.
2. If the antenna cable in your home is other than the above two, or you have problems in installing the antenna, please contact your dealer.

Notes:

1. Current outdoor antenna or cable TV usually use 75 OHM coaxial antenna cable. For better reception, we suggest using this kind of antenna cable.
2. Flat cable or indoor antenna are old designed, the reception may not be good enough.

EXTERNAL SCHEMATIC AND INSTALLATION

Remote Control



1. Standby()

Press to turn the TV on or off(standby).

2. Picture Mode(P.P)

Press to select the desired picture mode.

3. Sound Mode(S.M)

Press to select the desired sound mode.

4.ZOOM

Press to select the desired picture aspect ratio.

5. SLEEP

Press to set the time to switch the TV to standby mode.

6. Program Select (0-9)

Press to select the TV channel directly.

7.RECALL

Press to return to previously viewed channel.

8. FREEZE

Press to freeze or unfreeze the picture.

9.Mute()

Press to mute or restore the volume.

10.Channel Up/Down (CH ^/v)

Press to select previous/next channel.

11.Volume Up/Down (V+/V-)

Press to adjust the volume.

12.MTS (Option)

Press to select a different sound mode when the source is different.

13.Menu

Press to enter or exit from the TV menu.

14.Source

Press to select the input source mode.

EXTERNAL SCHEMATIC AND INSTALLATION

Remote Control



15.OK

Press to confirm and execute the selection.

16. Up/Down/Left/Right Cursor (▲/▼/◀/▶)

Press to select or adjust the desired item on the menu.

17.CC button

Press to select the CCD or OFF.

18.INFO

Press to display relevant information such as screen format, source, etc.

19.MEDIA

Press to enter the MEDIA menu.

20.Fast Backward Button(◀◀)

Press to fast reverse in Media mode.

21.Fast Forward (▶▶)

Press to fast forward in Media mode.

22.Previous (◀◀)

Press to play the previous music or movie in Media mode.

23.Next (▶▶)

Press to play the next music or movie in Media mode.

24.Play & Pause (▶||)

Press to pause playback in Media mode, press again to continue playback.

25.Stop (■)

Press to stop the music or movie in Media mode.

MENU CONTROL

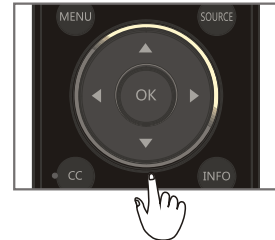
This section explains the menus of your TV. Each menu is outlined and detailed to help you get the most from your TV.

Basic Operation

1. Press MENU on the remote control or on the TV key panel to display the main menu.
2. Press ◀/▶ and ▲/▼ to highlight the desired menu/item.
3. Press ◀/▶ to change the setting.
4. Press MENU to save setting and go back to last menu.

Note:

Buttons on the key panel have the same functions as the corresponding buttons on the remote control.



The scheme and description are in TV mode as below, there will be a note if there is exception.

Picture Settings

Picture Mode

Adjusts the picture mode: Personal, Bright, Normal, Soft four kinds of image mode.

Brightness

Adjusts the brightness of the picture, and usually is adjusted together with Contrast.

Contrast

Adjusts the difference between the light and dark areas of the picture. To get better picture value, Contrast should be adjusted to the proper value.

Color

Adjusts the richness of color. This function is not available in PC mode.

Tint

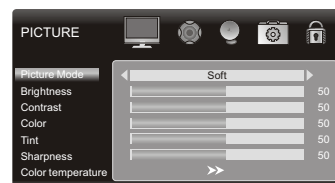
Adjust the tint of the picture. Only can be done under the NTSC system.

Sharpness

Adjusts the sharpness of the picture. This function is not available in PC mode.

Color Temperature

Press OK button to enter the color temperature sub menu. Color Temperature Adjusts the colour temperature of the picture, to select the option: Cool, Neutral, Warm, Personal as you desired.



MENU CONTROL

Neutral: Keep the original white

Warm: Red

Personal: The user may customize the color temperature.(Red/Green/Blue).

Cold: Blue.

Display Mode

To select different display mode.

DNR

To select four modes of digital noise reduction are available including Off, Low, Middle and High.

Sound Settings

Sound Mode

Select the most suitable sound mode according to your watching contents(Personal, Standard, Music, Film, News).

Bass

Control the level of low-pitched sound.

Treble

Control the level of high-pitched sound.

Balance

Control the audio balance between the right and left TV speakers.

AVL

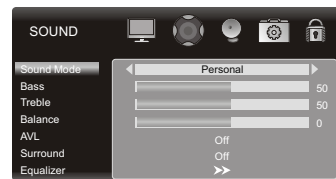
This function may be set as On or Off. Auto Volume Level can set the volume automatically adjust corresponding to the input audio.

Surround

Press this option to enter to set On or Off.

Equalizer

Adjust the frequency bands of sound to suit the type of sound broadcast.



MENU CONTROL

Installation Settings

Note: These settings are only available in TV mode.

Channel No.

Sets the received TV channel No.

Colour system

Selects colour system.

Auto Search

Searches and saves channels automatically.

Fine Tuning

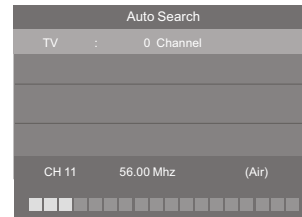
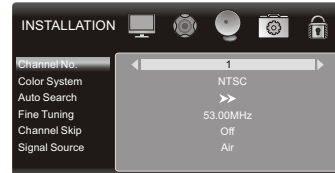
Effect on the current TV signal images are not satisfied, you can use this function to adjust.

Channel Skip

You can skip unnecessary program channels of your choice not to be displayed during viewing and scanning when pressing the "CH ^/∨" buttons. Select "OFF" by pressing "◀/▶" buttons to select the channel that would not like to skip from the channel scan operation.

Signal Source

Press "◀/▶" button to adjust the Signal Source which can choose "Air, Cable".



Setup Settings

OSD Language

Select your desired OSD language.

Lock Panel Keys

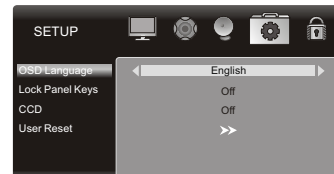
Set On/Off to Lock or unlock the control on the panel.

CCD

Select the type of CCD.

User Reset

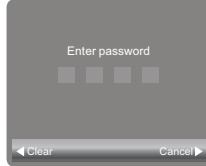
Restore the menu setting back to default.



MENU CONTROL

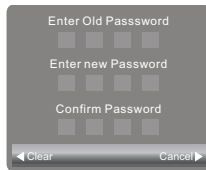
Advanced Settings

Press ◀▶ button to select Advanced menu, then press [OK] button to enter. Input password to enter, default password is "0000".



Change Password

To set your own password, first enter the old password, and then enter your new password twice, following the prompts as illustrated below.



Note:

- Default password is [0000].
- In the event whereby new password is forgotten, it can be reset to default password. Please be mindful that all other picture and audio settings will also be reset to default values.

V-CHIP

Press ◀▶ to set V-CHIP on or off.

TV-Rating

Press ▶ to enter the TV Rating menu.
Press [OK] button to set rating block or unblock.



Movie-Rating

Press ◀▶ to select the Movie Rating
(None / G / PG / PG-13 / R / NC-17 / X).

English-Rating

Press ◀▶ to select the English Rating
(Empty / C / C8+ / G / PG /14+ / 18+).

French-Rating

Press ◀▶ to select the French Rating
(Empty / G / 8ans+ / 13ans+ / 16ans+ / 18ans+).

Block No Rating

Press ◀▶ to set the function Block or Unblock the not rating signal.

MENU CONTROL

PC Settings

Note: These settings are only available in PC mode.

when you connect VGA cable to the jacks of PC and select the signal source as "PC" the screen menu will be activated. You can use the function to adjust the display setting automatically or manual.

AUTO ADJUST

Press "◀/▶" button to auto adjust PC size and position.

H Position

Press "◀/▶" button to adjust the H-Position of the television.

V Position

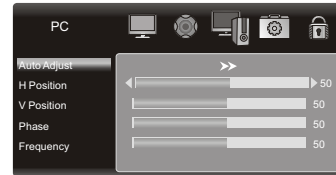
Press "◀/▶" button to adjust the V-Position of the television.

Phase

Press "◀/▶" button to adjust the phase of the picture.

Frequency

Press "◀/▶" button to adjust the updating frequency of the picture.



MEDIA CONTROL

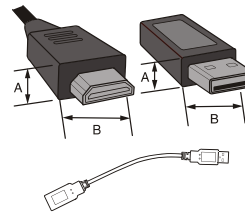
Gentle Reminder When Using The Media Player

1. Some USB storage devices may not be compatible to operate smoothly with this TV.
2. Back up all of the data in the USB storage device in case if data was lost due to unexpected accident. We do not assume any liability for the losses by misuse or malfunction. Data backup is consumer's responsibility.
3. For large file sizes, the loading speed may be slightly longer.
4. The recognition speed of a USB storage device may depend on each device.
5. When connecting or disconnecting the USB storage device, ensure that the TV is not in Media mode otherwise the USB storage device or the files stored in it may be damaged.
6. Please use only a USB storage device which is formatted in FAT16, FAT32, NTFS file system provided with the Windows operating system. In case of a storage device formatted as a different utility programme which is not supported by Windows, it may not be recognized.
7. When using a USB Hard Disk Drive which requires electric power source, ensure its power does not exceed 500mA.
8. An "**Unsupported File**" message will be displayed if the file format is unsupported or corrupted.

Caution

Use cable with the following maximum thickness for optimal connection to this TV, or it may damage your TV.

1. HDMI Cable not exceeding 10(A) x 20(B)mm
2. MEDIA Cable not exceed by 7(A) x 18(B)mm



* Dimension of (A) should not be exceed 10mm.
In situation whereby the insertion of USB storage device is restricted, user may use the USB extension accessory provided.

Media File Playback Support

Supported Video File :

File Extension	Container	Video Codec	SPEC	Bit Rate	Profile
dat, mpg, mpeg	MPG, MPEG	Mpeg1,2	720P @ 30P	20Mbit/sec	Main Profile
ts, trp	MPEG2 -TS	MPEG2	720P @ 30P	20Mbit/sec	MPEG2: Main Profile

Supported Music File:

Audio Codec	File Extension	Bit Rate	
MPEG1 Layer2	MP3(Optional)	32Kbps ~ 448Kbps(Bit rate)	32KHz ~ 48KHz(Sampling rate)
MPEG1 Layer3	MP3(Optional)	32Kbps ~ 320Kbps(Bit rate)	32KHz ~ 48KHz(Sampling rate)

Supported Photo File:

Image	Photo	Resolution
JPEG	Base-line	15360x8640
	Progressive	1024x768
PNG	Non-interlace	9600x6400
	Interlace	1200x800
BMP		9600x6400

Supported Text Format : (*.txt) Encoding standard : Unicode

MEDIA CONTROL

Remote Control



1. MEDIA buttons

Press to enter MEDIA menu.

2. Fast Backward buttons(◀◀)

Fast reverse while playback.

3. Fast Forward buttons(▶▶)

Fast forward while playback.

4. Previous buttons(◀◀)

Press to return to the previous chapter /track/photo. Skip to previous file.

5. Next buttons(▶▶)

Press to skip to the next chapter/track/photo. Skip to next file.

6. Play & Pause buttons(▶||)

Press to pause music or movie play and press again to make play continue.

7. Stop buttons(■)

Press the stop button to exit full-screen playback, access to the preview.

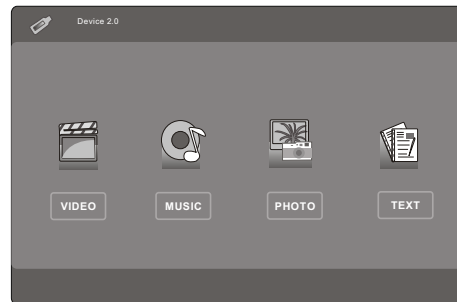
MEDIA Menu

You can play video and music, view photo and text files from your USB storage devices.

1. Connect USB storage device to **MEDIA** input terminal.

2. Press **MEDIA** button to enter MEDIA mode.

3. Press [◀] / [▶] and [] to select the types of media modes: VIDEO, MUSIC, PHOTO and TEXT.



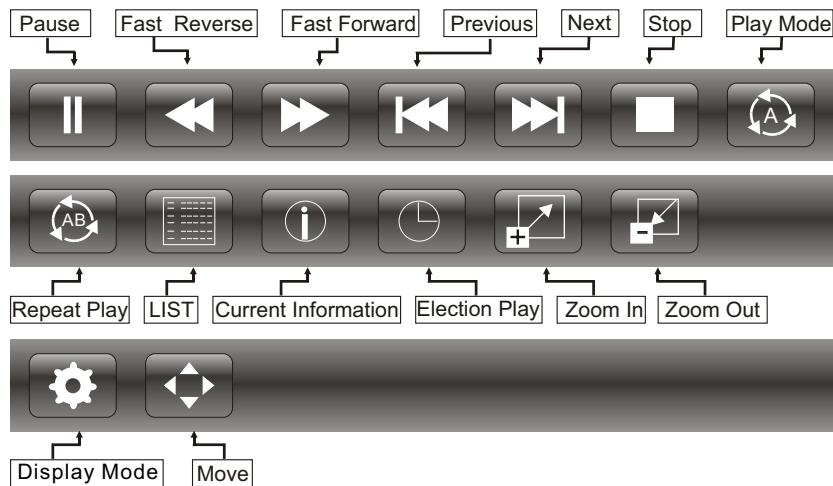
MEDIA CONTROL

Video Menu

1. Press [◀] / [▶] to select VIDEO. Press [OK] to enter.
2. Press [◀] / [▶] to select the desired drive and press [OK] to enter.
3. Press [▲] / [▼] to select the desired folder and press [OK] to open the folder; select the desired video file using [OK] and press [▶/⏸] to start playing.
4. Press [■] to stop video playing and return to video list.
5. You may return to Media Player main menu by pressing [MEDIA].



Video Control Bar

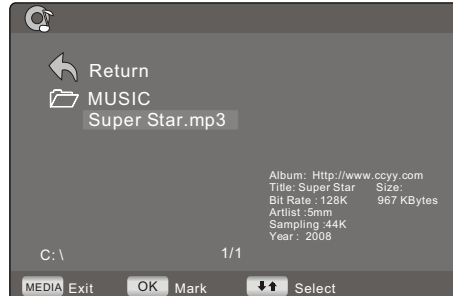


- Press [INFO] to display Video Control Bar while playing the video.
 - Press [◀] / [▶] to select the desired settings.
 - Press [▼] to exit from Info bar.
- There are three modes of play mode. Press [OK] button to select Current Track (🔄), Repeat None (🚫) and All Tracks (🔄).

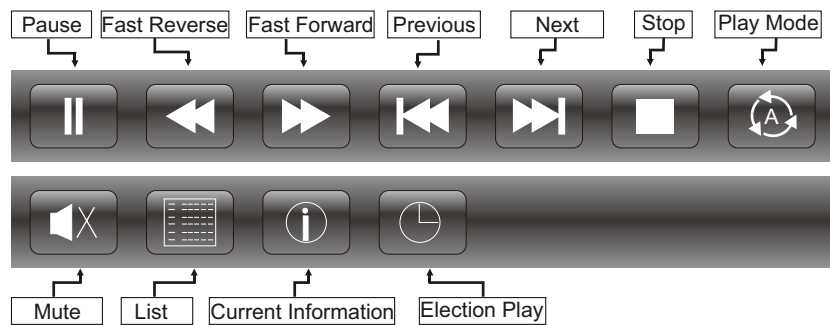
MEDIA CONTROL

Music Menu

1. Press [◀] / [▶] to select MUSIC. Press [OK] to enter.
2. Press [◀] / [▶] to select the desired drive and press [OK] to enter.
3. Press [▲] / [▼] to select the desired folder and press [OK] to open the folder; select the desired music file using [OK] and press [▶/⏸] to start playing.
4. Press [■] to stop music and return to Music list.
5. You may return to Media Player main menu by pressing [MEDIA].



Music Control Bar



- Press [INFO] to display Music Control Bar while playing the music.
- Press [◀] / [▶] to select the desired settings.
- Press [▼] to exit from Info bar.

Note:

- This menu only shows support files.
- Files with other file extensions are not displayed, even if they are saved on the same USB storage device.
- An over-modulated mp3 file may cause some sound distortion during playback.
- This TV supports lyrics display (English). Maximum number of characters per line is 48.
- The filename of music and lyrics must be the same in order to display lyrics while the music is playing.

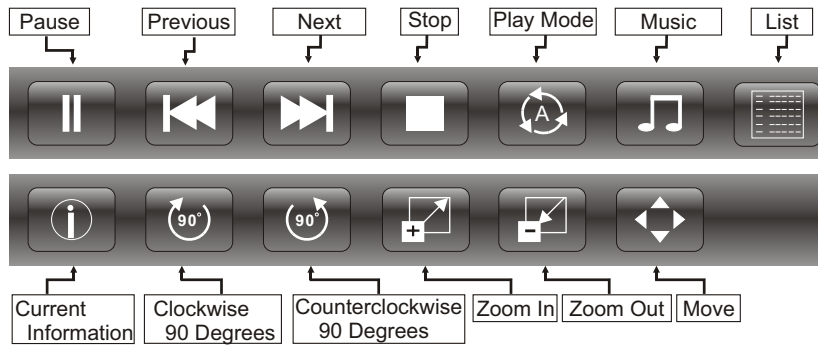
MEDIA CONTROL

Photo Menu

1. Press [◀] / [▶] to select PHOTO. Press [OK] to enter.
2. Press [◀] / [▶] to select the desired drive and press [OK] to enter.
3. Press [▲] / [▼] to select the desired folder and press [OK] to open the folder; select the desired photo file using [OK] and press [▶/⏏] to start playing.
4. Press [■] to stop photo slide show and return to Photo list.
5. You may return to Media Player main menu by pressing [MEDIA].



Photo Control Bar

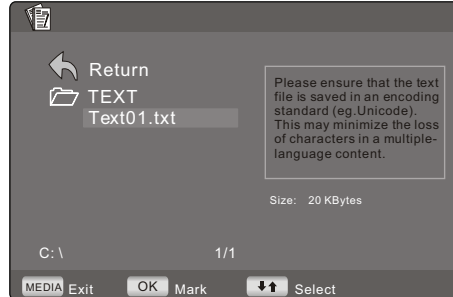


- Press [INFO] to display Photo Control Bar during photo slide show.
- Press [◀] / [▶] to select the desired settings.
- Press [▼] to exit from Info bar.

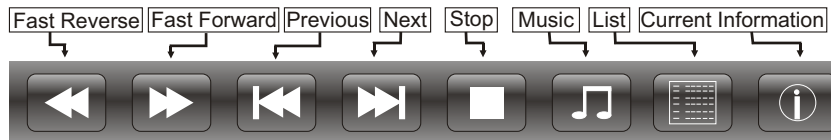
MEDIA CONTROL

Text Menu

1. Press [◀] / [▶] to select TEXT. Press [OK] to enter.
2. Press [◀] / [▶] to select the desired drive and press [OK] to enter.
3. Press [▲] / [▼] to select the desired folder and press [OK] to open the folder; select the desired text file using [OK] and press [▶] to display the text document.
4. Press [◀◀] / [▶▶] to view previous or next text file.
5. Press [◀◀] / [▶▶] to select previous or next page in the text file.
6. Press [■] to return to Text list.
7. You may return to Media Player main menu by pressing [MEDIA].



Text Control Bar



- Press [INFO] to display Text Control Bar while reading the text.
- Press [◀] / [▶] to select the desired settings.
- Press [▼] to exit from Info bar.

Note:

- It supports *.txt files.(English character)
- Please ensure that the text file is saved in an encoding standard. This may minimize the loss of characters in a multiple-language content.

TROUBLESHOOTING

NO PICTURE, NO SOUND

1. Check if the fuse or circuit breaker is working.
2. Plug another electrical device into the outlet to make sure it is working or turned on.
3. Power plug is bad contact with the outlet.
4. Check the signal source.

NO COLOR

1. Change the color system.
2. Adjust the saturation.
3. Try another channel. Black-white program may be received.

REMOTE CONTROL DOES NOT WORK

1. Change the batteries.
2. Batteries are not installed correctly.
3. Main power is not connected.

NO PICTURE, NORMAL SOUND

1. Adjust the brightness and contrast.
2. Broadcasting failure may happen.

NORMAL PICTURE, NO SOUND

1. Press the volume up button to increase volume.
2. Volume is set to mute, press MUTE to restore sound.
3. Change the sound system.
4. Broadcasting failure may happen.

UNORDERLY RIPPLES ON THE PICTURE

It is usually caused by local interference, such as cars, daylight lamps and hair driers. Adjust the antenna to minimize the interference.

BLANK SCREEN IN PC MODE

Perhaps the TV can not recognize the resolution set by the PC. Suggest to change to the best resolution or other standard resolutions of Windows system. Set refresh rate to be 60Hz.

SNOWY DOTS AND INTERFERENCE

If the antenna is located in the fringe area of a television signal where the signal is weak, the picture may be marred by dots. When the signal is extremely weak, it may be necessary to install a special antenna to improve the reception.

1. Adjust the position and orientation of the indoor/outdoor antenna.
2. Check the connection of antenna.
3. Fine tune the channel.
4. Try another channel. Broadcasting failure may happen.

IGNITION

Black spots or horizontal streaks appear, or the picture flutters or drifts. This is usually caused by interference from car ignition system, neon lamps, electric drills, or other electrical appliance.

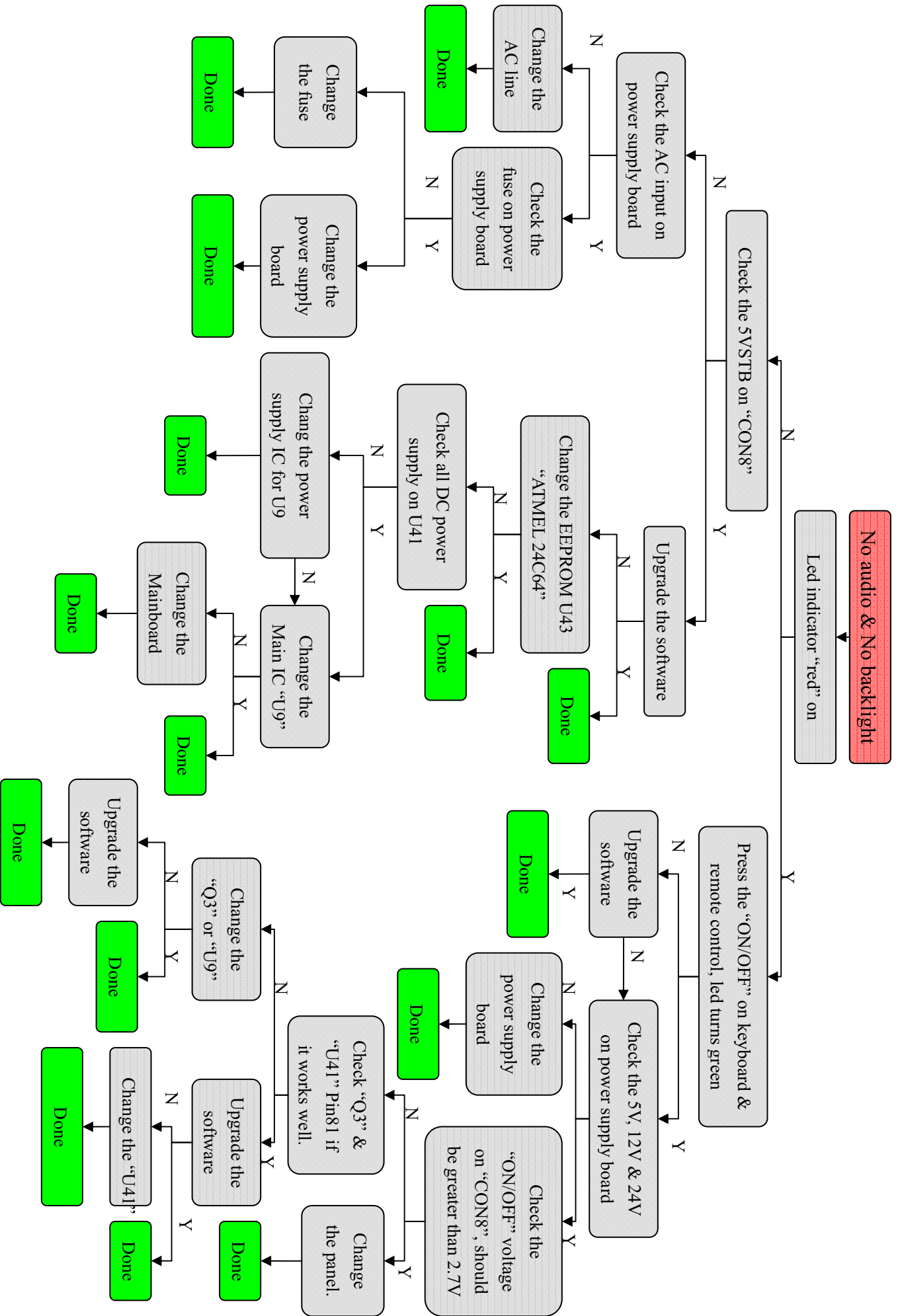
GHOST

Ghosts are caused by the television signal following two paths. One is the direct path, the other is reflected from tall buildings, hills, or other objects. Changing the direction or position of the antenna may improve the reception.

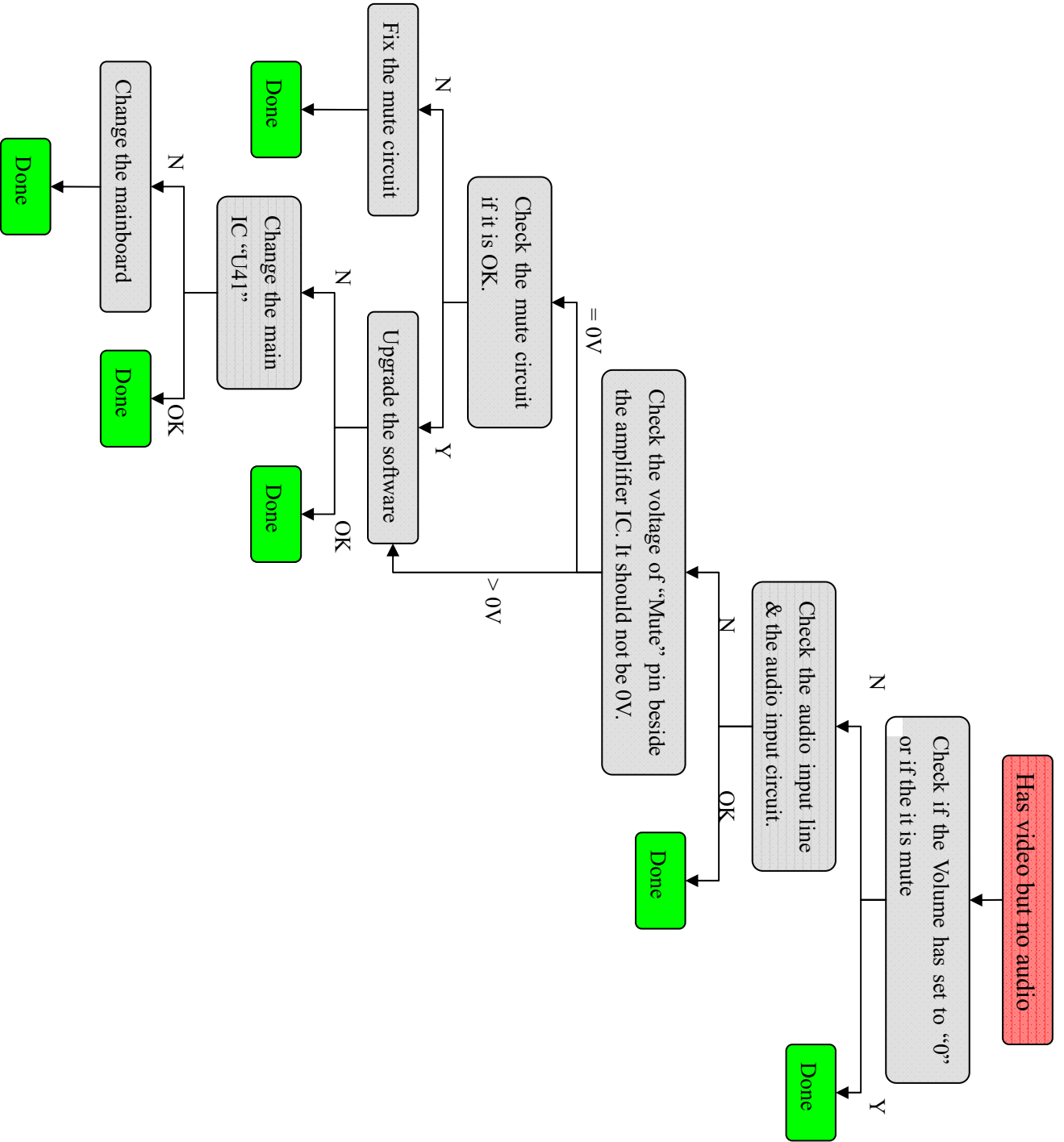
RADIO FREQUENCY INTERFERENCE

This interference produces moving ripples or diagonal streaks, and in some case, loss of contrast in the picture. Find out and remove the radio interference source.

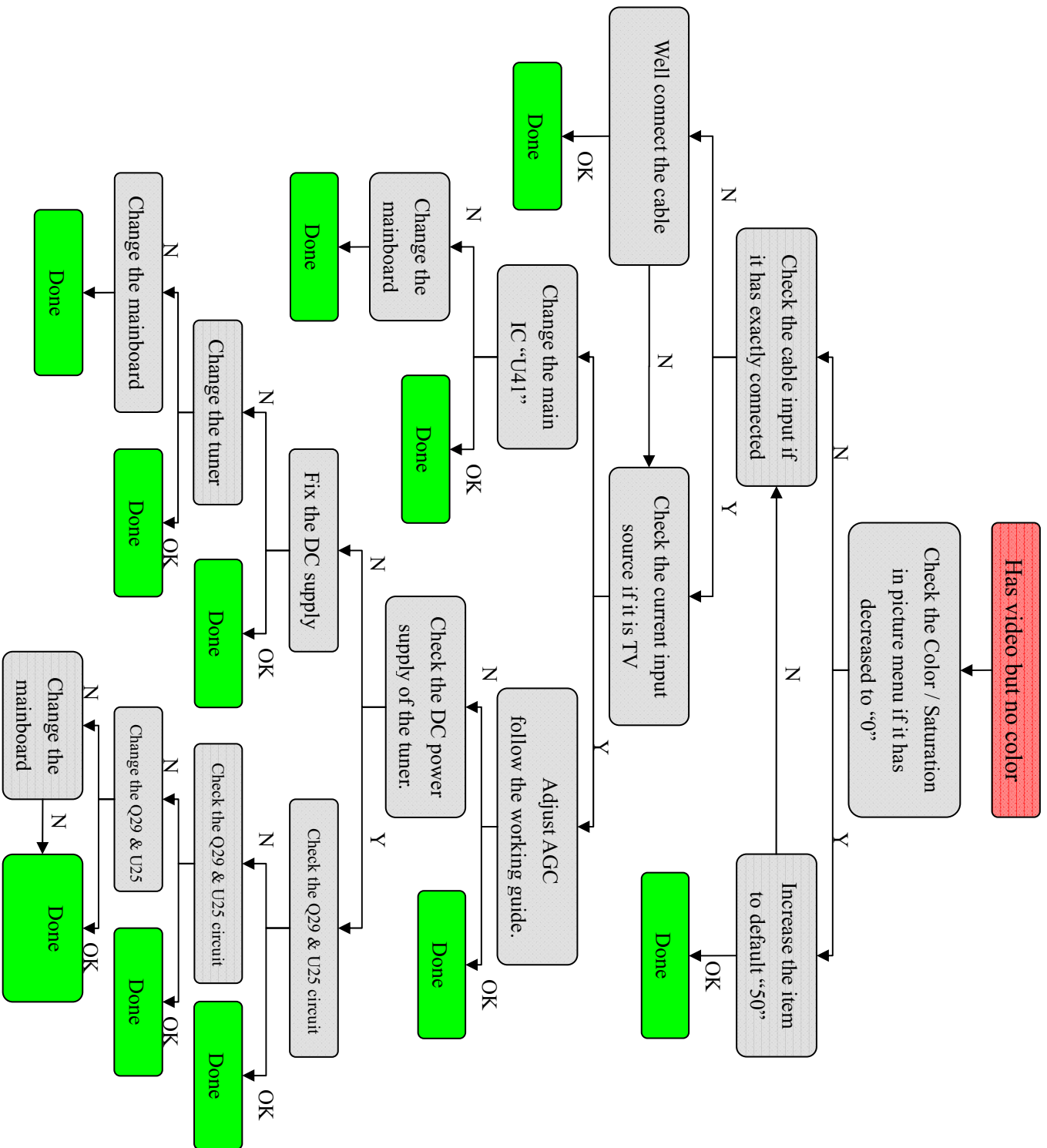
Service Flow Chart



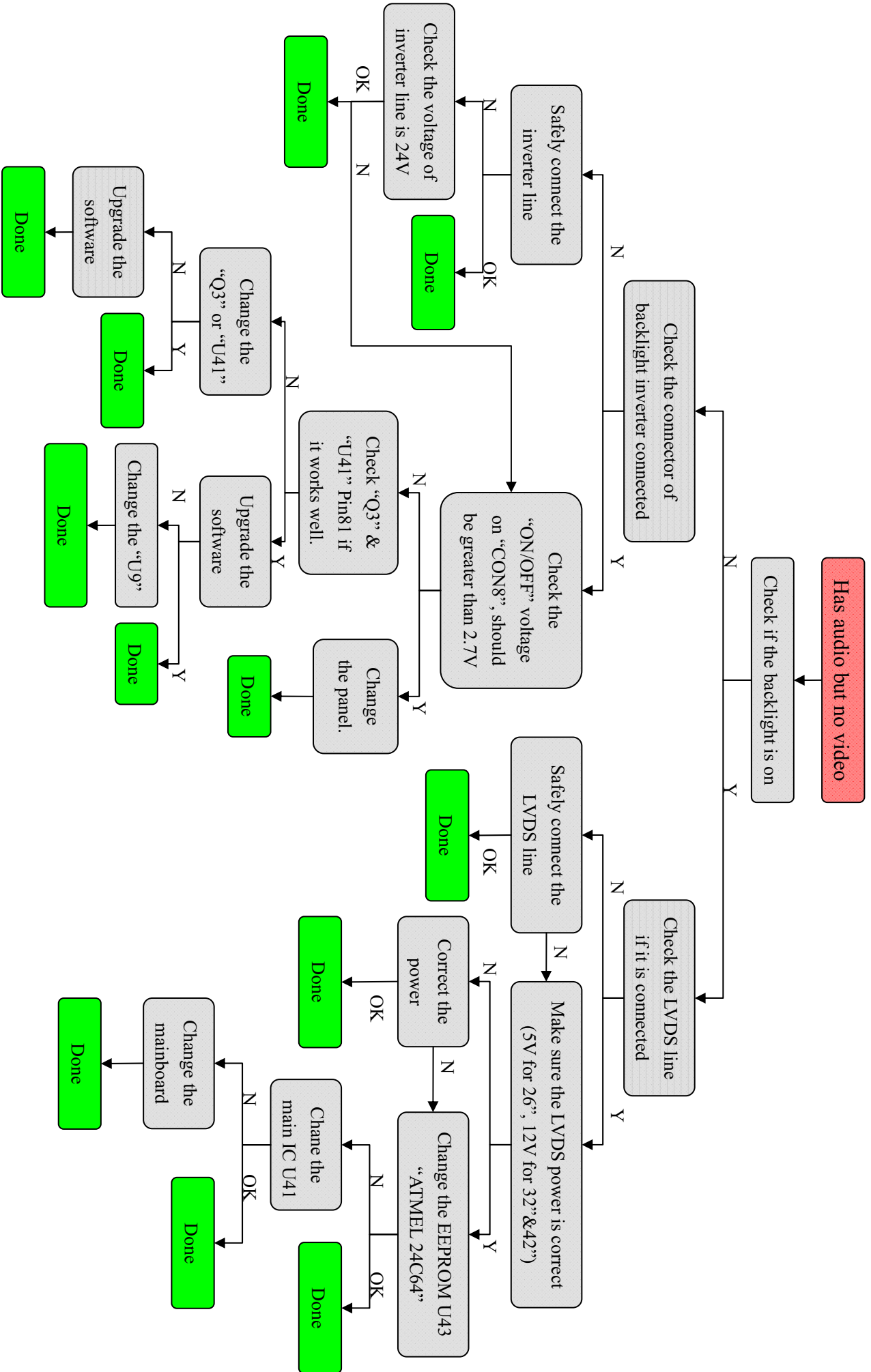
Service Flow Chart

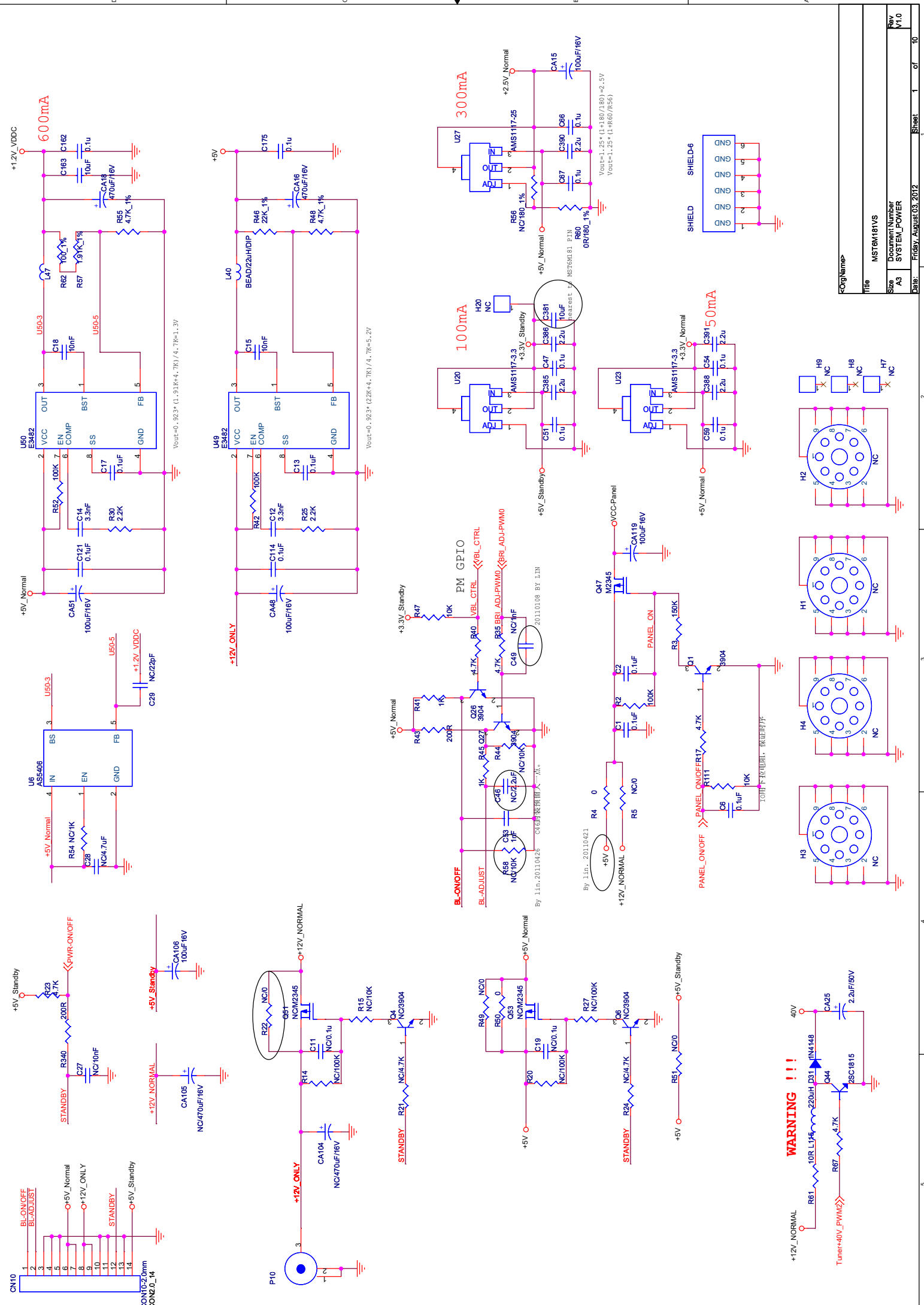


Service Flow Chart



Service Flow Chart

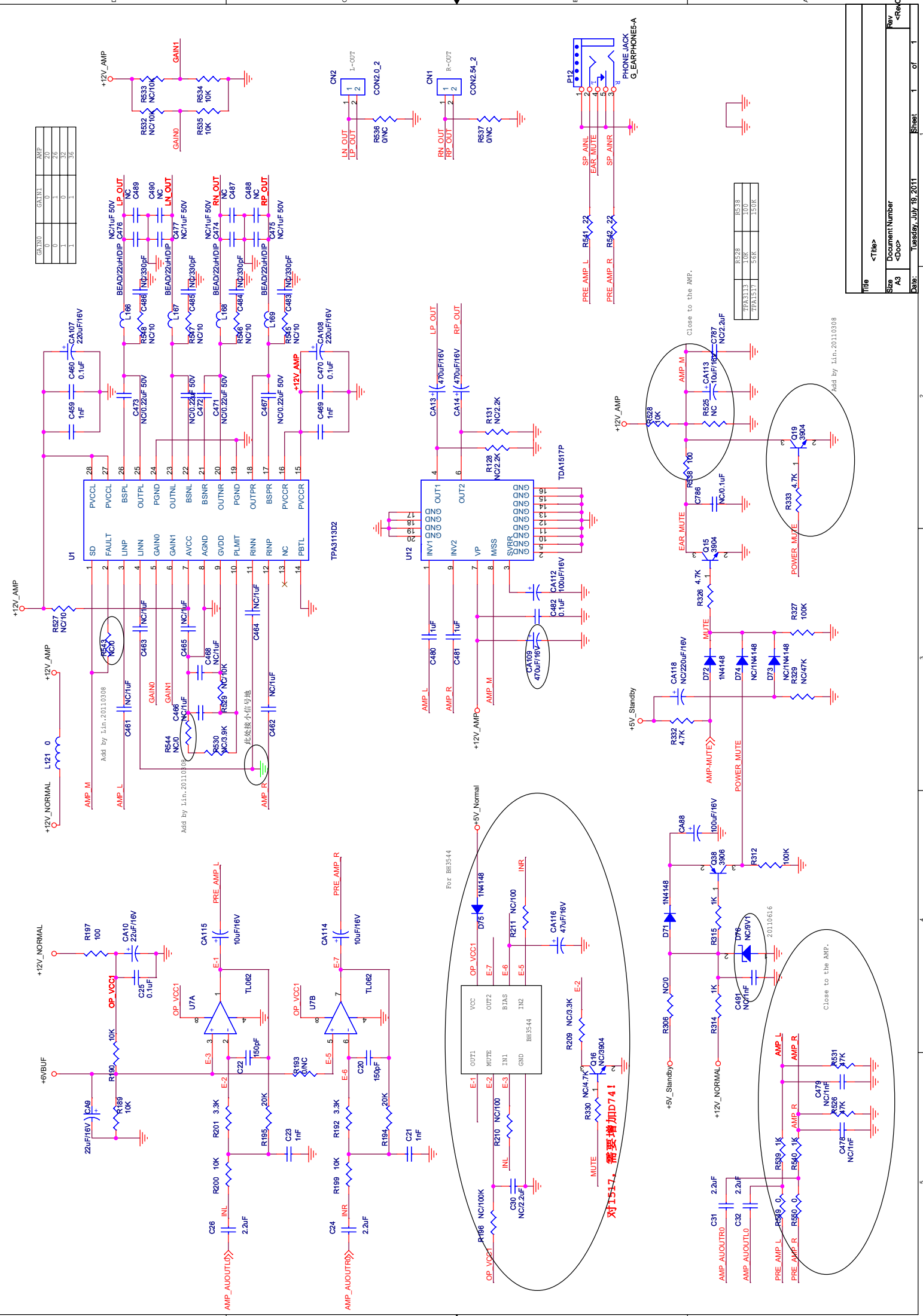




DocName: MST6M181VS

Size	A3
DocNumber	SYSTEM_POWER
Rev	V1.0
Date	Friday, August 03, 2012
Sheet	1 of 10

GAIN0	GAIN1	AMP
0	0	20
0	1	25
1	0	30
1	1	35



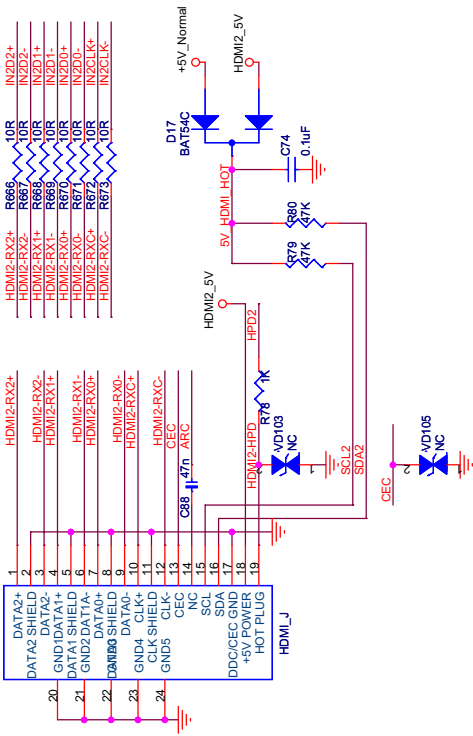
TPA3113	1.0K	100
TPA1517	5.6K	150K

Add by Lin.20110308

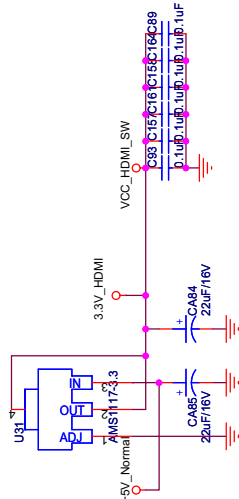
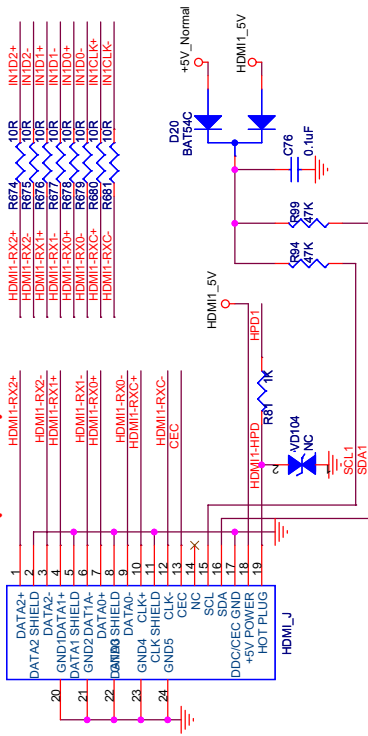
Rev	DocuCode	Sheet	of
1	1	1	1

Title <Title>
 Size A3
 Document Number <DocCode>
 Date: Tuesday, July 19, 2011

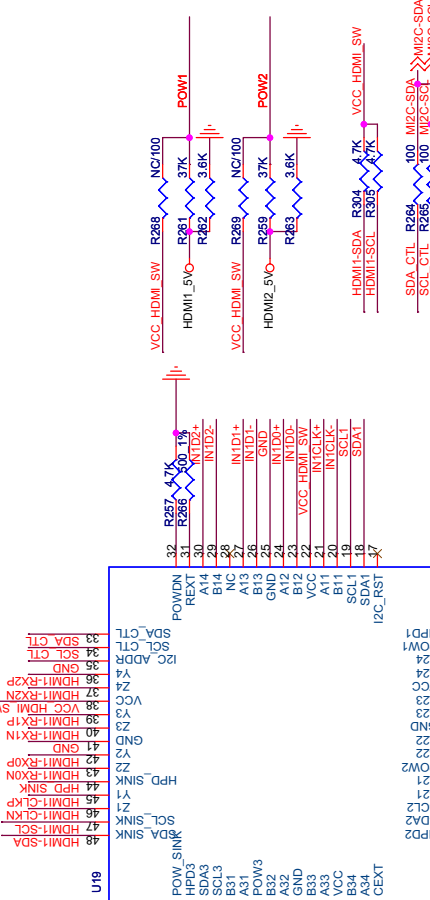
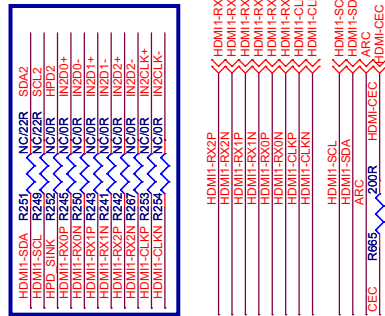
P1 HDMI1 (REAR)



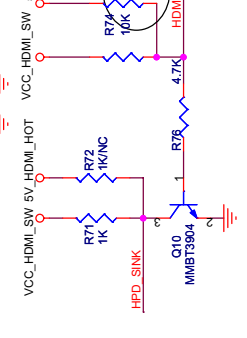
P8 HDMI2 (REAR)

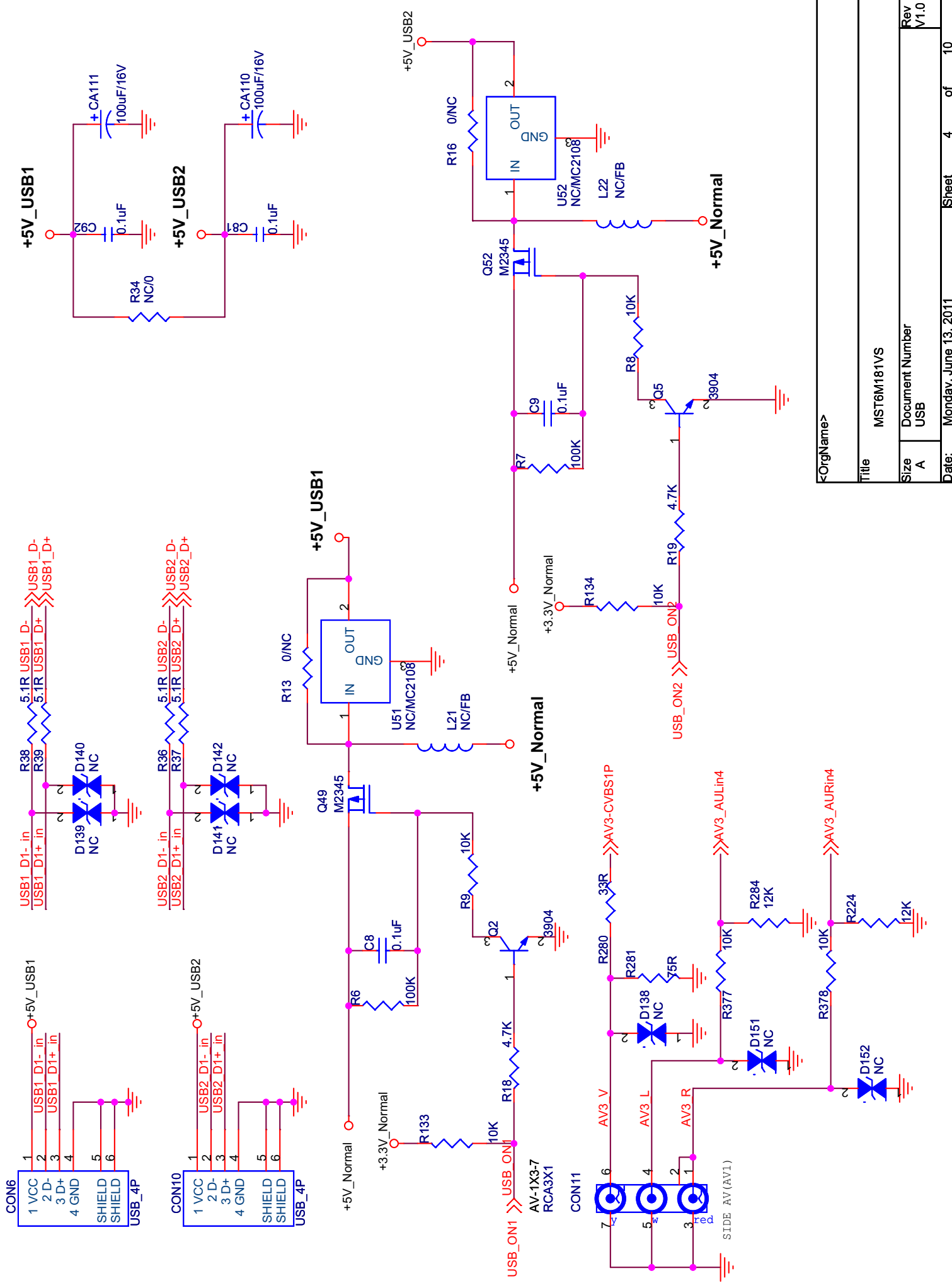


HDMI BYPASS OPTION



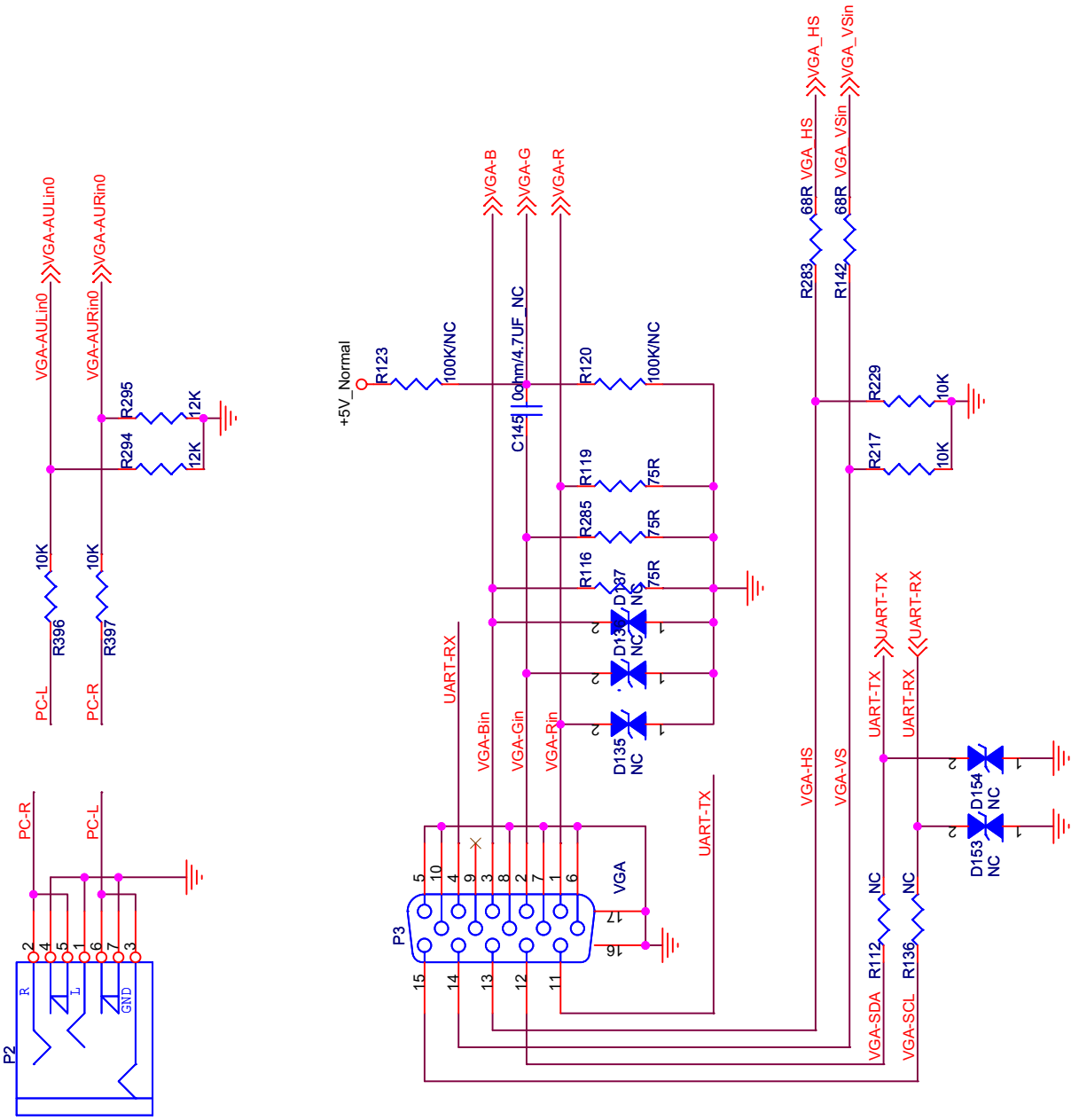
HOTPLUG





Title		MST6M181VS	
Size	A	Document Number	USB
Date:	Monday, June 13, 2011	Sheet	4 of 10
Rev	V1.0		

CKX-3.5-32
PHONE_SKY



<OrgName>

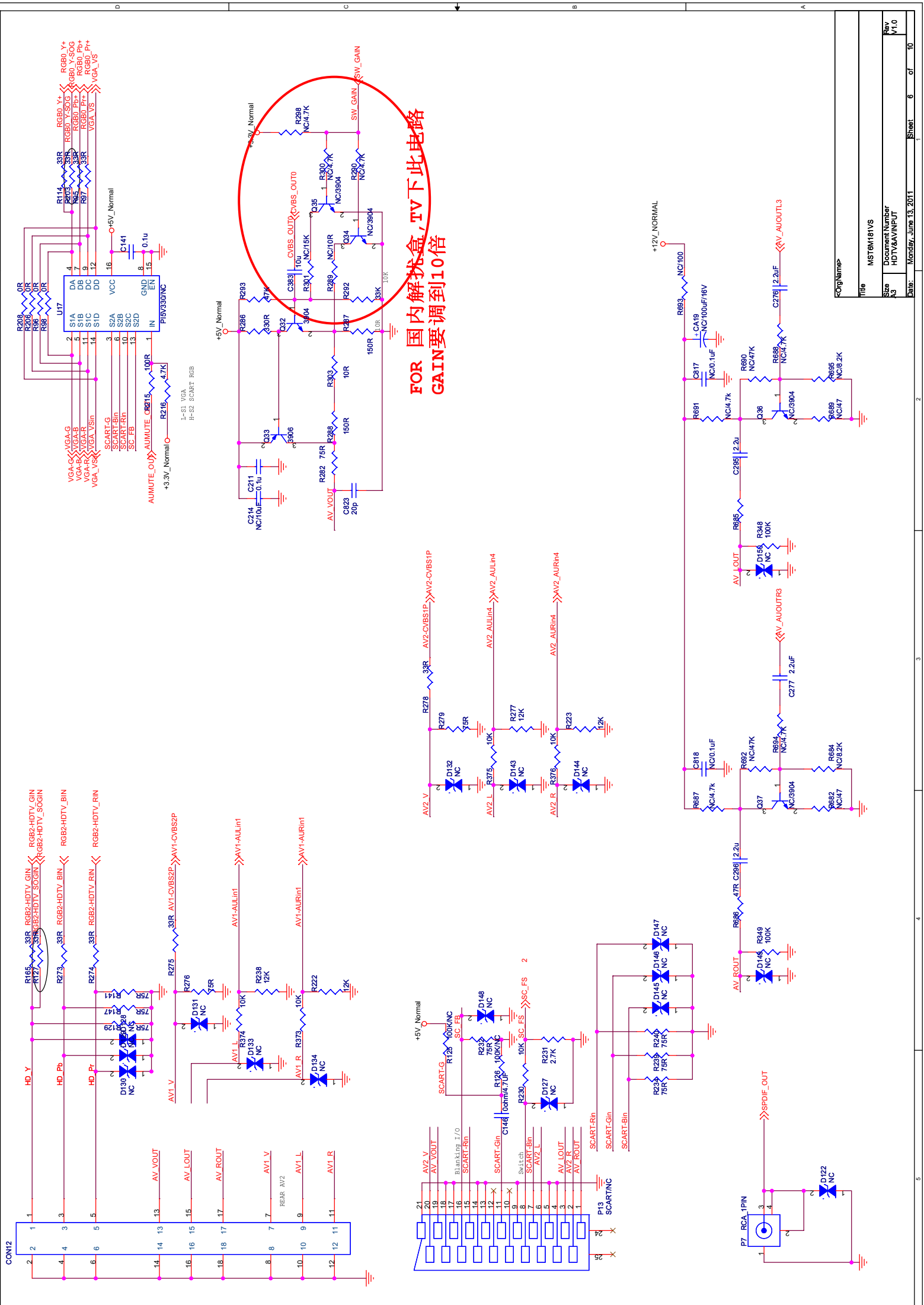
Title MST6M181VS

Size A4
Document Number
VGA

Date: Monday, June 13, 2011

Sheet 5 of 10

Rev V1.0



FOR 国内解扰盒, TV下此电路
GAIN要调到10倍

Title		MST6M181VS
DocuPart Number	HDTV6AVINP1UT	
Size	A3	
Date	Monday, June 13, 2011	Sheet 6 of 10

Free Manuals Download Website

<http://myh66.com>

<http://usermanuals.us>

<http://www.somanuals.com>

<http://www.4manuals.cc>

<http://www.manual-lib.com>

<http://www.404manual.com>

<http://www.luxmanual.com>

<http://aubethermostatmanual.com>

Golf course search by state

<http://golfingnear.com>

Email search by domain

<http://emailbydomain.com>

Auto manuals search

<http://auto.somanuals.com>

TV manuals search

<http://tv.somanuals.com>