

***Strata***<sup>®</sup> ***DK***

Digital Business Telephone Systems

**System Administrator Guide**

# Toshiba America Information Systems, Inc.

## Telecommunication Systems Division

### Limited Warranty

Toshiba America Information Systems, Inc., (“TAIS”) warrants that this telephone equipment (except for fuses, lamps, and other consumables) will, upon delivery by TAIS or an authorized TAIS dealer to a retail customer in new condition, be free from defects in material and workmanship for twelve (12) months after delivery. This warranty is void (a) if the equipment is used under other than normal use and maintenance conditions, (b) if the equipment is modified or altered, unless the modification or alteration is expressly authorized by TAIS, (c) if the equipment is subject to abuse, neglect, lightning, electrical fault, or accident, (d) if the equipment is repaired by someone other than TAIS or an authorized TAIS dealer, (e) if the equipment’s serial number is defaced or missing, or (f) if the equipment is installed or used in combination or in assembly with products not supplied by TAIS and which are not compatible or are of inferior quality, design, or performance.

The sole obligation of TAIS or Toshiba Corporation under this warranty, or under any other legal obligation with respect to the equipment, is the repair or replacement by TAIS or its authorized dealer of such defective or missing parts as are causing the malfunction with new or refurbished parts (at their option). If TAIS or one of its authorized dealers does not replace or repair such parts, the retail customer’s sole remedy will be a refund of the price charged by TAIS to its dealers for such parts as are proven to be defective, and which are returned to TAIS through one of its authorized dealers within the warranty period and no later than thirty (30) days after such malfunction, whichever first occurs.

Under no circumstances will the retail customer or any user or dealer or other person be entitled to any direct, special, indirect, consequential, or exemplary damages, for breach of contract, tort, or otherwise. Under no circumstances will any such person be entitled to any sum greater than the purchase price paid for the item of equipment that is malfunctioning.

To obtain service under this warranty, the retail customer must bring the malfunction of the machine to the attention of one of TAIS’ authorized dealers within the twelve (12) month period and no later than thirty (30) days after such malfunction, whichever first occurs. Failure to bring the malfunction to the attention of an authorized TAIS dealer within the prescribed time results in the customer being not entitled to warranty service.

**THERE ARE NO OTHER WARRANTIES FROM EITHER TOSHIBA AMERICA INFORMATION SYSTEMS, INC., OR TOSHIBA CORPORATION WHICH EXTEND BEYOND THE FACE OF THIS WARRANTY. ALL OTHER WARRANTIES, EXPRESS OR IMPLIED, INCLUDING THE WARRANTIES OF MERCHANTABILITY, FITNESS FOR A PARTICULAR PURPOSE, AND FITNESS FOR USE, ARE EXCLUDED.**

No TAIS dealer and no person other than an officer of TAIS may extend or modify this warranty. No such modification or extension is effective unless it is in writing and signed by the vice president and general manager, Telecommunication Systems Division.

---

## Publication Information

Toshiba America Information Systems, Inc., Telecommunication Systems Division, reserves the right, without prior notice, to revise this information publication for any reason, including, but not limited to, utilization of new advances in the state of technical arts or to simply change the design of this document.

Further, Toshiba America Information Systems, Inc., Telecommunication Systems Division, also reserves the right, without prior notice, to make such changes in equipment design or components as engineering or manufacturing methods may warrant.

DKA-AG-SYSTEMVD  
4016160

Version D.1, May 2000  
Version D, July 1999  
Version C, April 1998  
Version B, October 1997  
Version A, September 1996

© Copyright 2000

**Toshiba America Information Systems, Inc.  
Telecommunication Systems Division**

All rights reserved. No part of this manual, covered by the copyrights hereon, may be reproduced in any form or by any means—graphic, electronic, or mechanical, including recording, taping, photocopying, or information retrieval systems—without express written permission of the publisher of this material.

Strata is a registered trademark of Toshiba Corporation.

Trademarks, registered trademarks, and service marks are the property of their respective owners.

---

# Contents

---

## Introduction

Equipment Notes .....	iv
Organization .....	iv
Conventions .....	v
Action/Response Table .....	vi
Important Notes .....	vi
Related Documents and Media .....	vii

## Chapter 1 – Setting System Parameters

Auto Attendant .....	2
Auto Attendant CO Line Assignments .....	2
System Auto Attendant Dialing Plan .....	3
Auto Attendant Announcement Recording Recommendations .....	4
Direct Inward System Access (DISA) Security Code .....	5
Emergency 911 Calls .....	6
Emergency Calling from the Attendant Console .....	8
Night Transfer .....	9
Night Transfer Lock/Unlock Password .....	9
Night Transfer Lock Mode .....	11
Setting Date/Time/Day .....	12
Soft Keys .....	14
Station Relocation .....	14

## Contents

### Chapter 1 - Setting System Parameters

Automatic Relocation .....	15
Relocation by Special Dial .....	16
System Messages, Names and Memos .....	18
User LCD Name/Number Display .....	19
System Speed Dial Numbers .....	23
Clearing a Speed Dial Entry .....	23
Accessing the Stored Number .....	24
Speed Dial—Advanced Features .....	24
Feature Access Codes .....	24
Speed Dial Pause and Flash Storage .....	28
Speed Dial Number Linking .....	28
Speed Dial Memo .....	31
Toll Restriction Override/Traveling Class Codes .....	34
Verified Account Codes .....	36

## Appendix A – Access Codes

CO Line Access Codes .....	39
Feature Access Codes .....	40
Paging Group Codes .....	41
Speed Dial Access Codes .....	42

## Appendix B – Directories/Record

User Name/Number Directory .....	43
Speed Dial Memo Directory .....	44
Telephone Location Record .....	45

<b>Index</b> .....	47
--------------------	----

# Introduction

---

This guide is designed for the System Administrator of the following Strata DK systems:

- ✦ DK14
- ✦ DK16e and DK16
- ✦ DK40i and DK40
- ✦ DK424i, DK424 and DK280 (Release 3 and above)

This guide provides instructions for assigning the user names that appear on the station display; managing station relocation; and assigning Direct Inward System Access (DISA) security codes, toll restriction override access codes, and verified account codes.

**Important!** *This guide contains information and procedures that are not available to the average telephone user. As System Administrator, you must have access to a specific System Administrator's telephone to perform the procedures in this guide. You are responsible for certain proprietary codes for providing or restricting features to telephones with the Strata DK systems. This guide is not intended for general use; please keep it in a secure place.*

You should also have a copy of the most recent *Strata DK General Description* for the appropriate system, as well as any related user guides. See “Related Documents/Media” later in this Introduction.

## Equipment Notes

- ♦ Most of the operations in this guide require a Liquid Crystal Display (LCD) digital telephone at the System Administrator's work station.
- ♦ Typically, use the station with [PDN] 10, 100, or 200 to perform the functions in this guide. This guide assumes the Administrator's telephone is connected to station Port 000. If you wish, you can use a different [PDN] which must be assigned by the system installer. In any case, the station is referred to as the "Administrator station" throughout this guide. Ask your system installer which station this is.

## Organization

This guide is divided as follows:

- ♦ **Chapter 1 – Setting System Parameters** contains descriptions and procedures for changing System Administrator-specific parameters. These parameters are given in alphabetical order.
- ♦ **Appendix A – Access Codes** provides feature access code sequences which can be stored onto SD buttons for one-touch feature access.
- ♦ **Appendix B – Directories/Record** provides blank directories for recording User Names/Numbers and Speed Dial memos, and telephone locations and instructions for displaying [DN], physical port, and logical port information.

# Conventions

Conventions	Description
<b>Note</b>	Elaborates specific items or references other information. Within some tables, general notes apply to the entire table and numbered notes apply to specific items.
<b>Important!</b>	<i>Calls attention to important instructions or information.</i>
<b>CAUTION!</b>	<b>Advises you that hardware, software applications, or data could be damaged if the instructions are not followed closely.</b>
<b>WARNING!</b>	<b>Alerts you when the given task could cause personal injury or death.</b>
[DN]	Represents any Directory Number button, also known as an extension or intercom number.
[PDN]	Represents any Primary Directory Number button (the extension number for the telephone).
[SDN]	Represents any Secondary appearance of a PDN. A PDN which appears on another telephone is considered an SDN.
[PhDN]	Represents any Phantom Directory Number button (an additional DN).
<b>Arial Bold</b>	Represents telephone buttons.
<b>Courier</b>	Shows a computer keyboard entry or screen display.
<b>Helvetica Bold</b>	Represents LCD displays, tokens or custom IVR functions. For example: <b>M ( )</b> .
“Type”	Indicates entry of a string of text.
“Press”	Indicates entry of a single key. For example: Type <b>prog</b> then press <b>Enter</b> .

## Introduction

### Action/Response Table

Conventions	Description
Plus (+)	Shows a multiple PC keyboard or phone button entry. Entries without spaces between them show a simultaneous entry. Example: <b>Esc+Enter</b> . Entries with spaces between them show a sequential entry. Example: <b># + 5</b> .
Tilde (~)	Means “through.” Example: 350~640 Hz frequency range.
➤	Denotes the step in a one-step procedure.
➤	Denotes a procedure.
See Figure 10	Grey words within the printed text denote cross-references. In the electronic version of this document (Strata DK Library CD-ROM or FYI Internet download), cross-references appear in blue hypertext.

## Action/Response Table

- 
- |   |   |
|---|---|
| ➤ The left column gives you the single or numbered steps you need to perform a procedure. | The right column gives the immediate response to your action. It includes readouts from the LCD telephone when applicable, and additional notes and comments. |
|---|---|

## Important Notes

- ◆ Because feature buttons are flexible and must be programmed by a system installer, your telephone may not have all of the buttons mentioned in this guide.
- ◆ Use the **#** button if your telephone does not have a **Redial** button.
- ◆ Use the **\*** button if your telephone does not have a **Speed Dial** button.



## Related Documents and Media

**Note** Some documents listed here may appear in different versions on the CD-ROM, FYI, or in print. To find the most current version, check the version/date in the Publication Information on the back of the document's title page.

Refer to the following documents for more information:

- ◆ Strata DK General Description
- ◆ Strata DK Feature Description Manual
- ◆ Digital Telephone User Guide
- ◆ Digital Telephone Quick Reference Guide
- ◆ Digital Single Line Telephone User Guide
- ◆ Electronic Telephone User Guide
- ◆ Electronic Telephone Quick Reference Guide
- ◆ Standard Telephone User Guide
- ◆ Strata AirLink External Wireless Handset User Guide
- ◆ Strata AirLink External Wireless Quick Reference Guide
- ◆ Strata AirLink Integrated Wireless Handset User Guide
- ◆ Strata AirLink Integrated Wireless Quick Reference Guide
- ◆ PC/Data Interface User Guide
- ◆ DKT2004-CT Cordless Telephone User Guide
- ◆ DKT2104-CT Cordless Telephone User Guide
- ◆ PC-DKT User Guide

## **Introduction**

### *Related Documents and Media*

- ◆ Hospitality Management Information System (HMIS) General Description
- ◆ Hospitality Management Information System (HMIS) User Guide
- ◆ Strata DK Library CD-ROM

For authorized users, Internet site FYI (<http://fyi.tsd.toshiba.com>) contains all current Strata DK documentation and enables you to view, print, and download current publications.

# Setting System Parameters

---

# 1

For security reasons, you can add, delete or change system parameters. Make sure your system is programmed so that you can change these parameters from your telephone.

The parameters discussed in this chapter are given in alphabetical order. They are:

- ♦ Auto Attendant
- ♦ Direct Inward System Access (DISA) Security Code
- ♦ Night Transfer
- ♦ Setting Date/Time/Day
- ♦ Soft Keys
- ♦ Station Relocation
- ♦ System Messages, Names and Memos
- ♦ System Speed Dial Numbers
- ♦ Toll Restriction Override/Traveling Class Codes
- ♦ Verified Account Codes

# Auto Attendant

The Auto Attendant feature tells the system where to direct incoming Auto Attendant calls. The Strata DK built-in Auto Attendant is licensed by Dytel, Inc. under United States Patent No. 4,975,941. Two announcements greet callers: The primary announcement contains the company greeting, followed by a menu. The secondary (optional) announcement, plays when the station or department called is not available. It is then followed by a menu.

An Auto Attendant's primary announcement may sound like this:

“Hello, you have reached Toshiba.  
If you know the number of the party you are calling, please dial it now.  
For operator assistance, dial 0 or please wait.  
For Sales, dial 3.  
For Marketing, dial 4.  
And for Technical Support, dial 5.”

Here's an example of an Auto Attendant's secondary announcement:

“The party is unavailable...  
For operator assistance, dial 0 or wait for assistance.  
For Sales, dial 3.  
For Marketing, dial 4.  
And for Technical Support, dial 5.”

## Auto Attendant CO Line Assignments

CO lines can be assigned to be answered by the Auto Attendant in any of the three system modes (Day, Day 2, and Night) by the system programmer. The **Night Transfer** button can be used to switch the CO lines to ring the Auto Attendant or to ring stations that are preassigned in system programming.

The Auto Attendant can be configured (in system programming) to answer CO line calls on a delayed basis (12 or 24 seconds) if the call is not answered at a ringing station(s).

## System Auto Attendant Dialing Plan

The Auto Attendant dialing plan is assigned in system programming. Use [Table 1](#) to record your system Auto Attendant dialing plan. Toshiba recommends using single digits. (See [Table 2](#) for a list of default [DNs] for Strata DK systems.)

**Table 1** Auto Attendant Menu

Dialed Digit (Menu Prompts)	Station (Directory) Number	Department, Division, etc.
<b>0</b>		
<b>1</b>		
<b>2</b>		
<b>3</b>		
<b>4</b>		
<b>5</b>		
<b>6</b>		
<b>7</b>		
<b>8</b>		
<b>9</b>		
<b>*</b>	DISA Outgoing Calls	Outgoing line (see Caution note below)

**Table 2** Default DNs for Strata DK

System	[PDNs] (default)	[PhDNs] (default)
DK14	<b>10~19</b>	<b>50~59</b>
DK16, DK16e, DK40, DK40i	<b>10~27</b>	<b>50~77</b>
DK424 (RCTUBA/BB, RCTUC/D) and DK424i (B1CU, B2CAU/B2CBU, B3CAU/B3CBU)	<b>200~439</b>	<b>500~739</b>
DK424 (RCTUE/F) and DK424i (B5CAU/B5CBU)	<b>100~435</b>	<b>450~785</b>

When calling the Auto Attendant, callers can access DISA by dialing \*. Toshiba recommends that you do not include this information in the Auto Attendant announcement.

---

**CAUTION!** Make sure that your system DISA security code is set and protected. This is necessary to prevent unauthorized outgoing DISA calls from being charged (billed) to your company's telephone lines. See the instructions, [“Direct Inward System Access \(DISA\) Security Code” on Page 5.](#)

---

## Auto Attendant Announcement Recording Recommendations

Primary announcements are played to the caller when the Auto Attendant first answers a CO line. Secondary announcements (optional) are played to the caller after dialing a busy or unanswered station. Announcements should be kept as short as possible to allow fast call handling, and to eliminate overflow situations. Typical announcements should run between 10 and 20 seconds. Both primary and secondary announcements should play the Auto Attendant dialing plan options.

If many CO lines ring the Auto Attendant (heavy traffic), multiple announcement machines can be installed to accommodate quick answer of incoming calls. Announcements can be up to 60 seconds in length. The system can support up to four primary announcements and up to four secondary announcements, thereby making a 15-second call answering time possible. All primary announcements should play the same message/dial prompts, and all secondary should play the same secondary announcement. Follow the announcement device manufacturer's instructions to record the auto attendant announcements.

# Direct Inward System Access (DISA) Security Code

The Direct Inward System Access feature is used when calling into your system from the outside. This feature is available on certain CO lines and from the built-in Auto Attendant. Assignments are made by the system programmer. CO lines can be DISA lines in the Day, Day 2, or Night mode, or any combination of these modes.

If a caller enters the system via a DISA line or built-in Auto Attendant, the caller can then access another line to place an outgoing call through the system, in which case the outgoing line call is charged as a call made from the DK system. To prevent unauthorized outgoing calls through the system using the DISA feature, enter a DISA security code as shown in the following steps.

---

**CAUTION!** Whenever the built-in Auto Attendant is installed, the DISA security code should be used (and changed periodically) to prevent unauthorized access of outgoing CO lines via the Auto Attendant DISA access feature.

---

## ► To enter or change the DISA security code

1. Press [DN] + <b>#658</b> .	You hear a confirmation tone.	<div style="border: 1px solid black; padding: 5px; text-align: center;">           NO. NNN            ____ ID CODE SET         </div>
2. Dial the new DISA security code (1~15 digits).	The DISA security code digit length is a system program option. The code appears on the LCD as you enter it.	<div style="border: 1px solid black; padding: 5px; text-align: center;">           NO. NNN            DATA PROGRAMMED         </div>
3. Press <b>Redial</b> .	You hear a confirmation tone.	
4. Press <b>Spkr</b> .	The telephone returns to the idle mode.	

#### ► To cancel the DISA security code

- 
- |                              |   |
|------------------------------|---|
| 1. Press [DN] + <b>#658.</b> | You hear a confirmation tone.           |
| 2. Press <b>Redial.</b>      | The telephone returns to the idle mode. |
| 3. Press <b>Spkr.</b>        |   |
- 

**CAUTION!** If the DISA security is canceled, outgoing unrestricted CO Line access is available to anyone calling in on a DISA line or built-in Auto Attendant.

---

## Emergency 911 Calls

The procedure to make an emergency 911 call is the same for the Strata DK14, DK40i, DK40, DK424 and DK424i; however, the DK424 and DK424i can be programmed to use a special outside line, called the CAMA trunk, which provides Enhanced 911 (E911) calling service.

The DK424 and DK424i's E911 feature performs the following set of actions when a user dials 911: the DK seizes an idle CAMA trunk and sends 911 plus the dialing station's Caller Emergency Service Identification (CESID) over the CAMA trunk to the 911 emergency operator. This allows the 911 emergency operator to know the exact location (room, building, etc.) of the telephone originating the 911 call.



► To make an Emergency 911 call

1. Press [DN] + **911**

The [PDN] releases from the internal connection and seizes the CAMA trunk.

**Note** Once a 911 call is started, most other buttons/keys on a telephone are disabled to prevent accidentally dropping the 911 call attempt. This includes the **Hold** button, so that the 911 call cannot be put on hold.

...or go off hook and enter **911**

Off Hook and dial 911 (station has off hook selection of a CO line or line group in Program 32 and has a **CO Line** or **Pooled Line** buttons).

If your off hook selection automatically selects a **Line/Pooled Line** button, then when you dial 911, the normal CO line is dropped and an idle PDN or CAMA CO button connects to the CAMA trunk.

If an idle [PDN] or CAMA CO button is not available, the 911 call is sent out the originally selected line without the station's CESID information.

...or press [DN] + **9** + **911**.

**If the system uses Least Cost Routing (LCR)** – When **9** is dialed, the station seizes LCR on its [PDN]. When you enter **911**, the PDN drops LCR and the same [PDN] connects to the CAMA trunk. 911 plus the station's CESID will be sent out the CAMA trunk.

*If the system does not use LCR or if the station does not have a CO Line, Pooled Line or CAMA CO buttons* – when a **9** is dialed as an access code, the station seizes a “dial 9” CO line on its [PDN]. When **911** is entered, the 911 call will be sent one of two ways:

- ♦ If the station does not have another idle [PDN] or CAMA CO button, the 911 call will be sent out the normal CO line in the dial 9 line group without the station’s CESID.
- ♦ If the telephone has another [PDN] or CAMA CO button, and it is idle, the first PDN will drop and the second [PDN] or CAMA CO button will be connected to the CAMA trunk. 911 plus the station’s CESID will be sent out the CAMA trunk.

## Emergency Calling from the Attendant Console

The PC attendant console and the DK attendant console can be programmed make E911 calls two different ways, by using either CO line buttons or the INT button to initiate the call. The procedure and results are described below:

From the attendant console, the Attendant can press:

- ♦ a CO **Line, Pooled Line** or CAMA CO button and dial 911. When 911 is dialed from an outgoing line button, the outgoing line button drops and the CAMA trunk is seized on the INT button. 911 plus the Attendant Console CESID is sent out the CAMA trunk.
- ♦ ...or the **INT** or [PDN] button and dial 911. When 911 is dialed, the **INT** or [PDN] releases from the internal connection and seizes the CAMA trunk. 911 plus the Attendant Console CESID is sent out the CAMA trunk.

## Night Transfer

Incoming calls to your system can be made to route and ring different destinations, based on either two- or three-call routing (ringing) patterns (set in system programming). The Night Transfer LED indicates the active routing pattern:

Mode	Three-pattern	Two-pattern
DAY	OFF	OFF
DAY 2	FLASH	N/A
NIGHT	ON	ON

Night Transfer can be locked by pressing **NT Lock (1~4)** and dialing the NT Lock password (see the procedure outlined on the following page).

If the system has tenant service, up to four Tenant Night Transfer buttons (**Night Transfer 1~4**) can be assigned and controlled independently.

### ► To enable/disable night transfer

- Press **Night Transfer** to toggle night transfer ON/OFF.

## Night Transfer Lock/Unlock Password

The Night (NT) Lock/Unlock mode enables the Administrator's station or an attendant console to lock the system into the Day, Day 2, or Night mode. By setting the system into different modes, incoming CO calls can be routed to different destinations.

In order for the Administrator station or the attendant console to perform such routing, it must be assigned with **Night Transfer** and **NT Lock** buttons via system programming. Up to four **Night Transfer** and **NT Lock** buttons are allowed. Check with the system installer for any additional information.

## Setting System Parameters

### Night Transfer

#### ► To assign or change Night Lock/Unlock Password

1. Press a [DN] + <b>#622X</b> (X = Tenant 1~Tenant 4 CO line groups), with the handset on-hook.	The LCD prompts you to enter a four-digit password.	<b>NO.200</b> <b>ENTER PASS CODE</b>
2. Enter a four-digit password.	As you are enter the password, the digits display on the LCD.	<b>NO.200</b> <b>XXXX</b>
3. Press <b>Redial</b> .	You hear confirmation tone.	<b>NO.200</b> <b>DATA PROGRAMMED</b>
4. Hang up.	The password is assigned.	<b>NO.200</b> <b>JAN 15 WED 02:00</b>

## Night Transfer Lock Mode

After setting the **Night Transfer** button into the desired ring mode (Day/Day2/Night), you can lock Night Transfer using the accompanying steps below.

### ► To set the system in Night Lock Mode

1. Press **Night Transfer** to set the system into the Day or Day2 or Night Mode, with the handset on-hook.

2. Press **NT Lock**.

The NT Lock LED flashes. The LCD prompts you to enter your password.

NO.200 ENTER PASSWORD
--------------------------

3. Enter your password and press **NT Lock** again.

Y = Password digits

NO.200 YYYY
----------------

If the correct password is entered, the NT Lock LED remains steady red and the LCD displays the message "NT LOCK."

NT LOCK JAN 15 WED 02:00
-----------------------------

If an incorrect password is entered, the NT Lock LED turns OFF.

## Setting Date/Time/Day

This operation is possible from the Administrator station or attendant consoles and enables you to set the date, time, and day.

### ► To set the date

1. Press a [DN] + <b>#651</b> , with the handset on-hook.	You hear a confirmation tone.	#651 ENTER DATE
2. Enter the date (YYMMDD).		1 ENTER DATE 970524
3. Press <b>Redial</b> .	You hear a confirmation tone.	NO. NNN MAY 24 MON 12: 05
4. Press <b>Spkr</b> .	The telephone returns to the idle mode.	

### ► To set the time

1. Press [DN] + <b>#652</b> , with the handset on-hook.	You hear a confirmation tone.	#652 ENTER TIME
2. Enter the time (HHMMSS) in the 24-hour clock format.	H=hour, M=minute and S=seconds. Use leading zeros: 060530 = 6:05AM and 30 seconds; 143045 = 2:30PM and 45 seconds.	51 ENTER TIME 120500

3. Press **Redial**.

You hear a confirmation tone.

NO. NNN MAY 24 MON 12: 05
------------------------------

4. Press **Spkr**.

The telephone returns to the idle mode.

### ► To set the day of the week

1. Press a [DN] + **#653**, with the handset on-hook.

You hear a confirmation tone.

#653 ENTER DAY
----------------

2. Enter the number which corresponds to the appropriate day of the week:

**1** = Sunday  
**2** = Monday  
**3** = Tuesday  
**4** = Wednesday  
**5** = Thursday  
**6** = Friday  
**7** = Saturday

#653 ENTER DAY 2
------------------

3. Press **Redial**.

You hear a confirmation tone.

NO. NNN MAY 24 MON 12: 05
------------------------------

4. Press **Spkr**.

The telephone returns to the idle mode.

## Soft Keys

- ▶ **To turn Soft Keys on**
  - ▶ Press **Mode + 71**.
  
- ▶ **To turn Soft Keys off**
  - ▶ Press **Mode + 70**.

**Important!** *The LCD examples in this guide are shown with Soft Keys turned OFF. If your telephone has Soft Keys turned ON, the displays may be different, but you can still follow the steps in this guide. Generally, the information shown on line 2 displays on line 1 when Soft Keys are ON.*

## Station Relocation

This feature enables you to relocate an electronic, digital, or standard telephone without requiring reprogramming of the station's features. When relocated, the telephone retains its station number and all programmed features, including personal messages, feature buttons, Toll Restriction Class, and Speed Dial numbers.

One station at a time can be easily relocated. If two stations are unplugged at the same time, the telephone that was unplugged last is relocated when plugged back in. Station Relocation only works with the same type of station. For example, moving electronic telephone to electronic telephone, digital to digital, and standard to standard. The label on the bottom of your telephone indicates "Electronic" or "Digital" key telephone.

If a 10-button telephone is replaced with a 20-button type, the left column of buttons retains the 10-button assignments. With LCD telephones, you use the LCD after relocation, to confirm the desired location of the calling or called [PDNs].

---

**CAUTION!** Always turn this feature off promptly after relocation is finished to avoid accidental relocation.

---



## Automatic Relocation

This function enables you to physically move a telephone from one location to another while maintaining all of the telephone's programmed features. Use the [“Telephone Location Record” on Page 45](#) for telephone location tracking.

### ► To turn on the Auto Station Relocation feature

1. From the Administrator station, press a [DN] + **#6282** to turn on the Auto Station Relocation feature.
2. Press **Spkr**.

You hear a confirmation tone indicating the Station Relocation feature is on. If you hear a busy tone, the Station Relocation feature is already turned on, or you did not dial from the Administrator station.

### ► To physically relocate (swap) Station A and B

**Important!** *Make sure that the location that the phone is moving to is already vacant.*

*If you are moving a telephone (for example, Station A) to a new location that already has a telephone connected to it (for example, Station B), disconnect Station B from its telephone jack **before** you disconnect Station A.*

*You cannot configure the moving station (Station A) to an already occupied station (Station B).*

1. Verify that the telephone jack for the new location does not have a telephone connected.
2. Unplug the telephone that is moving from its wall jack at the old location.

## Setting System Parameters

### Station Relocation

3. Plug the telephone that is moving into the wall jack at its new location.
4. From the Administrator station, press [DN] + **#6281** to turn off Auto Station Relocation, then press **Spkr.**

The station is now moved to its new location while retaining its original [DNs] and features.

You hear confirmation tone. If you hear a busy tone, the Station Relocation feature was already turned off, or you did not dial from the Administrator station.

## Relocation by Special Dial

This option enables two station numbers and their features to be exchanged with or without physically relocating the telephones. The exchange takes place through the use of special dial codes. For the procedure below, we are using Station A/B and Location 1/2 to demonstrate the exchange.

### ► To turn on the Special Dial Station Relocation feature

1. From the Administrator station, press a [DN] + **#6283** to turn on the Special Dial Station Relocation feature
2. Press **Spkr.**

You hear confirmation tone indicating that the Station Relocation feature is on. If you hear a busy tone, the Station Relocation feature was already turned on, or you did not dial from the Administrator station.

► **To relocate (swap) Station A and B**

1. From Station A, press a [DN] + **#627NNN** (**NNN** = [DN] of Station B).
2. From Administrator station, press a [DN] + **#6281** to turn off Special Dial Station Relocation, then press **Spkr.**

You hear confirmation tone. Station A now has the buttons and features of Station B and vice versa.

After Station Relocation is turned off, you hear a confirmation tone. If you hear a busy tone, Station Relocation was already turned off, or you did not dial from the Administrator station.

**Note** After the relocation is completed, exchange the keystrips of the two telephones, if they are different, because a 10-button telephone replaced with a 20-button type telephone, retains the 10-button assignments.

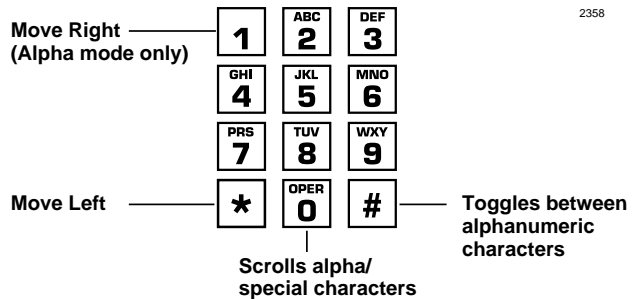
# System Messages, Names and Memos

You can write or edit station LCD messages, names or numbers.

► **To write LCD messages, names, or numbers**

1. Access message/  
memo/name displays.
2. Enter up to 32  
alphanumeric  
characters, (see [Table 3](#) and the figure at the  
right) using the  
station keypad.
3. Blank out any portion  
of a message by  
pressing **1** and  
moving the cursor to  
the right, when in the  
alpha character mode.

When you select a message number, a cursor (–) appears at the first character in the message.



Each character the cursor transverses is deleted.

**Table 3**      **Dial Pad Key Equivalents**

Letter	Key Equivalent	Letter	Key Equivalent	Letter	Key Equivalent	Symbol	Key Equivalent
A	<b>2</b>	J	<b>5</b>	S	<b>700</b>	:	<b>1000</b>
B	<b>20</b>	K	<b>50</b>	T	<b>8</b>	–	<b>10000</b>
C	<b>200</b>	L	<b>500</b>	U	<b>80</b>	+	<b>100000</b>
D	<b>3</b>	M	<b>6</b>	V	<b>800</b>	/	<b>1000000</b>
E	<b>30</b>	N	<b>60</b>	W	<b>9</b>	<b>Note</b> Use the dial pad in alphanumeric mode to create the symbols above.	
F	<b>300</b>	O	<b>600</b>	X	<b>90</b>		
G	<b>4</b>	P	<b>7</b>	Y	<b>900</b>		
H	<b>40</b>	Q	<b>10</b>	Z	<b>100</b>		
I	<b>400</b>	R	<b>70</b>				

## User LCD Name/Number Display

Once you store names and numbers in the system memory for each station or device, they can display on the station's LCD while idle and at other stations' LCDs when they are called. The name also appears on the LCD during direct internal, forwarded, and hunted calls. The LCD name does not display on Override or Off-hook Call Announce (OCA) calls.

Name display information for non-LCD telephones or voice mail/auto attendant devices can be stored from the Administrator's digital station. When Name/Number is recorded for non-LCD telephones or other devices, their Name/Number is displayed on LCD telephones when called. The name of a called telephone displays on the calling telephone's LCD when the calling telephone has the Soft Key feature ON.

**Note** Before entering names for other users, turn the Soft Key feature OFF by pressing **Mode + 70** when your telephone is idle. After the names have been entered, turn the feature back on by pressing **Mode + 71** when your telephone is idle.

## Setting System Parameters

System Messages, Names and Memos

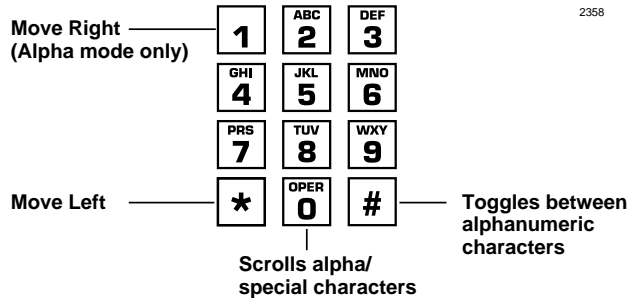
### ► To enter name/number information for your telephone

1. Press [DN] + **#621**.

Current information displays on the lower line of the LCD.

USER NAME?

2. Enter up to 16 alphanumeric characters, (see the figure at the right) using the station keypad.



3. Press **Spkr**.

The information is stored and appears on the top line.

TOSHIBA EXT. 200  
DATE DAY TIME

### ► To clear name/number display.

1. Press a [DN] + **#620**.
2. Press **Spkr**.

You hear confirmation tone, then busy tone.

During the clear, the LCD displays the message shown on the right.

NO. NNN  
USER NAME RESET

After the clear, a name is displaced by a message and call forward settings if they are set.

NO. 200  
DATE DAY TIME

**Note** This procedure does not erase the name/number. To restore the display, press [DN] + **#621**.

➤ **To erase name/number display**

1. Press a [DN] + <b>#621</b> .	Current information displays on the lower line of the LCD.	USER NAME?
2. Press <b>1</b> in the alpha mode to enter blanks.	Blank characters replace the information. If all blanks are entered, the telephone [PDN] displays on the LCD.	
3. Press <b>Spkr</b> .	The information is erased.	

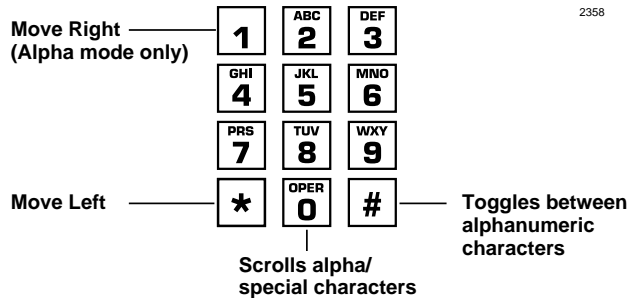
➤ **To enter name/number information for other stations/devices**

1. Turn Soft Keys OFF by pressing <b>Mode</b> + <b>70</b> .	The Administrator station must be idle.	
2. Press a [DN] + <b>#621</b> .	Current information for the Administrator station appears on the bottom line.	USER NAME?
3. Press <b>Page</b> .	In this particular display, <b>EKT</b> stands for the [PDN] of a digital, electronic or standard telephone.	DESK EKT NO.?
4. Dial the [PDN] of the station for which the name/number information is to be recorded.	Current information for station <b>NNN</b> appears on the bottom line.	DESK EKT NO. NNN
5. Press <b>Page</b> .	You are prompted for the user name.	USER NAME?

## Setting System Parameters

System Messages, Names and Memos

6. Enter up to 16 alphanumeric characters, (see the figure at the right) using the station keypad.



We suggest that you enter the station number and the user name.

7. Press **Spkr**.
8. Repeat Steps 2~7 to enter more names/numbers.
9. Press **Mode + 71** when your telephone is idle.

The new information displays on the top line of station **NNN**'s LCD. The Administrator station LCD returns to the normal idle display.

Your Soft Keys are turned ON.

### ► To erase other station name/number displays

- From the Administrator station, repeat Steps 1~6 of the previous procedure and press **1**, in the alpha mode in [Step 6](#).



# System Speed Dial Numbers

System Speed Dial telephone numbers can be stored in the system memory by the Administrator station only.

## ► To store a feature or System Speed number in a System Speed Dial Code

- |   |  |
|---|--|
| 1. Press <b>Redial</b> , with the headset on-hook.  |  |
| 2. Press <b>SD</b> button<br>...or <b>Speed Dial</b> + System Speed Dial Code.                          | See <a href="#">Table 8 on Page 42</a> . |
| 3. Input the telephone number to be stored (up to 20 digits).<br>...or enter the feature code sequence. | See <a href="#">Table 4 on Page 26</a> . |
| 4. Press <b>Redial</b> .  | The information is stored in memory.     |
| 5. Repeat Steps 1~5 for each telephone number to be stored.   |  |

## Clearing a Speed Dial Entry

- Repeat the preceding procedure, skipping Step 4.

## Accessing the Stored Number

- Press **Speed Dial** + its associated Speed Dial access code  
...or press the **SD** button associated with the code.

**Note** Write down the Speed Dial codes and telephone numbers for future reference.

## Speed Dial—Advanced Features

### Feature Access Codes

You can program **SD** (Speed Dial) buttons with feature access codes for a single feature or a sequence of features as long as the keyed dial pad characters do not exceed 20 digits. To determine how many digits you have, count 2 digits for **Cnf/Trn**, [PDN] and **Hold** feature buttons and 1 digit for all other dial pad characters.

See [Table 4](#) for a list of feature access codes.

#### ➤ To store a feature onto a **SD** button

- **Redial** + **SD** + Feature Access Code + **Redial**.

- ♦ See [Table 4](#) on the following page for Feature Access code sequences.
- ♦ **SD** = the speed dial button the feature is stored on.

#### ➤ To store a feature onto a speed dial code

- **Redial** + **Speed Dial** + Speed Dial Access Code + Feature Access Code + **Redial**.

**Important!**

- *Do not lift the handset.*
- *If you do not enter the entire sequence within a specified time (set in system programming for either one or three minutes), the operation times out and your telephone returns to idle mode.*
- *If your telephone does not have a Speed Dial, press “\*” instead of Speed Dial and enter 44 instead of # in all feature sequences.*
- *[PDNs] can be stored in speed dial sequences but [PhDNs] and [SDNs] cannot.*

## Setting System Parameters

### Speed Dial—Advanced Features

**Table 4 Feature Access Codes**

Features	Feature Access Code Sequence
Account Code <sup>1</sup> (Frequently used codes)	<b>Cnf/Trn + #46</b> + Account code digits
Automatic Callback	<b>4</b>
Background Music <sup>2</sup> (Telephone Speakers ON)	[PDN]] + <b>#491</b>
Background Music <sup>2</sup> (Telephone Speakers OFF)	[PDN] + <b>#490</b>
Call Forward—All Calls (To Station or VM)	[PDN] + <b>#601</b> + Directory Number
Call Forward—Busy (To Station or VM)	[PDN] + <b>#602</b> + Directory Number
Call Forward Cancel	[PDN] + <b>#601</b>
Call Forward—No Answer	[PDN] + <b>#603</b>
Call Forward External	[PDN] + <b>#670</b>
Call Forward External Cancel	[PDN] + <b>#670</b>
Door Phone Calling	[PDN] + door phone Directory Number
Hookflash Signal <sup>1</sup>	<b>Cnf/Trn + #45</b>
Off-hook Call Announce (Manual Mode)	Voice First <b>2</b> ; Tone First <b>1, 2 1</b> , or <b>1 2</b>
One-touch Voice Mail Access	[PDN] + Voice Mail Directory Number
Outgoing Calls	[PDN] + CO line access code (See <a href="#">Table 5 on Page 40.</a> )
Overrides (Busy, DND)	<b>2</b>
Overrides (Executive)	<b>3</b>
Page Access <sup>4</sup>	<b>Hold</b> + [PDN] + <b>[#XXX]</b> where: <b>[#XXX]</b> =Page access code (See <a href="#">Tables 6 and 7 on Page 41.</a> )
Park Call/Access Page The existing call is parked and you are automatically connected to the page.	<b>Cnf/Trn + #331</b> + <b>[X X X]</b> + <b>[Y Y Y]</b> where: <b>[X X X]</b> <sup>3</sup> = 9 0 0~9 1 9 or 999 park zone number; <b>[Y Y Y]</b> = page group/zone (See <a href="#">Tables 6 and 7 on Page 41.</a> )
Pickup <sup>4</sup> (Directed to station, new, or transferred call)	<b>Hold</b> + [PDN] + <b>#5</b> + station number [PDN]

**Table 4**      **Feature Access Codes** *(continued)*

Features	Feature Access Code Sequence
Pickup a held or ringing [PDN] or [PhDN] (not available on all systems)	[PDN] + <b>#5#2</b> + [X X X X] where: [X X X X] = [PDN] or [PhDN] to be picked up
Pickup <sup>4</sup> any ringing CO line (new call only)	<b>Hold</b> + [PDN] + <b>#59</b>
Pickup Station Page or Ringing Door Phone <sup>4</sup>	<b>Hold</b> + [PDN] + <b>#5#30</b>
Pickup <sup>4</sup> External Page	<b>Hold</b> + [PDN] + <b>#5#35</b>
Pickup Line on Hold (lines 1~99) <sup>5</sup>	[PDN] + <b>#5</b> + <b>#70 (01~99)</b>
Pickup Line on Hold (lines 100~200) <sup>6</sup>	[PDN] + <b>#5</b> + <b>#7 (100~200)</b>

1. These codes can be used during a CO line call.
2. Background music speakers can only be turned ON/OFF from the Administrator's telephone.
3. XXX = Auto Park Orbit 9 9 9 (access the next available park orbit), or General Park Zones 900~919, or [PDN] on which the call should be parked. Only use 999 with LCD telephones.
4. This feature will hold an existing call when the button is pressed. If the button is pressed when not on a call, pickup or page will still be accessed. These codes can be used during a CO line call.
5. After pressing the feature button, the user dials the line number (01~99) to pickup the line.
6. After pressing the feature number, the user dials the line number (100~200) to pickup the line.

## Speed Dial Pause and Flash Storage

Some Speed Dial numbers may require a pause (long or regular) or hookflash be included (e.g., tone delay requires a pause at the beginning of a Speed Dial number).

Hookflash	Regular Pause	Long Pause
<p>The <b>Flash</b> button stores a flash signal only if <b>Spd Dial Pause</b> is programmed as a flexible button on the telephone. The flash signal is 0.5 or 2 seconds long (set in system programming) and is displayed on the LCD as “<b>F-</b>”.</p> <p>Press <b>Flash</b></p> <p>...or enter the hookflash dial code (<b>Cnf/Trn + #45</b>).</p>	<p>The pause is either 1.5 or 3 seconds (set in system programming). The LCD displays “<b>P-</b>”.</p> <p>Press <b>Spd Dial Pause</b></p> <p>...or if <b>Spd Dial Pause</b> is not on the telephone, press <b>Flash</b> to store a pause.</p>	<p>Ten-second pause, which can be entered anywhere in the Speed Dial number. The LCD displays “<b>L-</b>”.</p> <p>Press <b>Spd Dial Lng Pause</b>.</p>

## Speed Dial Number Linking

You can link any of the Station Speed Dial numbers to System Speed Dial codes or to any of the optional buttons associated with these codes. The Administrator station can be used to link System Speed Dial Codes. This enables lengthy digit strings to be stored under one Station Speed Dial button or code.

The number directly stored in the System Speed Dial number dials out first, then the number linked to it. Typically, a company’s special carrier access telephone numbers are stored as part of the digit string.

### ► To link system/system speed dial numbers

1. Press **Redial**.
2. Press **SD**  
...or **Speed Dial** + a  
System Speed Dial  
Access Code.
3. Press **Speed Dial**.

See [Table 8 on Page 42](#) for Station Speed Dial Access Codes.

4. Enter the System Speed Dial Access Code to which the number will be linked.
5. Enter the telephone number to be stored (max. 17 digits).
6. Press **Redial**.

See [Table 8 on Page 42](#) for System Speed Dial Access Codes.

The number is stored and is automatically dialed when the optional linked station **SD** button is pressed or the linked Station Speed Dial access code is dialed.

### Linked Speed Dial Example

**Note** Your system must be programmed for “Toll Restriction Override by System Speed Dial” to allow this example.

► **To store a CO line access code plus a long distance carrier access code (10288) and link to \*690**

In the following example, you are going to link \*690 to a telephone number and store it in System Speed Dial location \*600.

1. Press **Redial** +  
**Speed Dial** + **690**  
+ [PDN] + **910288**  
+ **Redial**

2. Store the System Speed Dial information on Speed Dial Code **600** from the Administrator station.

3. Press **Redial** +  
**Speed Dial** + **600**  
+ **Speed Dial** +  
**6901714553700**  
+ **Redial**.

The CO line access code and the long distance carrier code (910288) in the System Speed Dial location \*690 is stored.

**Note** “I” displays when the [PDN] is stored.

- ♦ [PDN] is used to automatically access internal dial tone before dialing **910288**.
- ♦ **910288** = **9** is the CO line access code and **10288** is the long distance carrier access code.

- ♦ **600** is the System Speed Dial Code.
- ♦ **690** is the System Speed Dial Code that is being linked to code **600**.
- ♦ **1714553700** is the telephone number with area code.



➤ **To use the new link**

- From any station, press **Speed Dial +\*600** or press **SD (600)** button if available on the calling station. The telephone automatically dials **9** to access a CO line, then the carrier access code (**10288**) plus the telephone number (**17145553700**).

## Speed Dial Memo

This feature enables the Administrator station to program an 11- or 12-character name for each of the system Speed Dial numbers. You can scroll through the memo pad of names to select the appropriate party.

### Notes

- Before entering names for Speed Dial Numbers, turn off the Soft Key feature by pressing **Mode + 70** when the telephone is idle. After entering the names, turn the feature back on by pressing the **Mode + 71** when the telephone is idle.
- For your convenience, use the [“Telephone Location Record” on Page 45](#) for recording speed dial numbers with memos from the Administrator station.

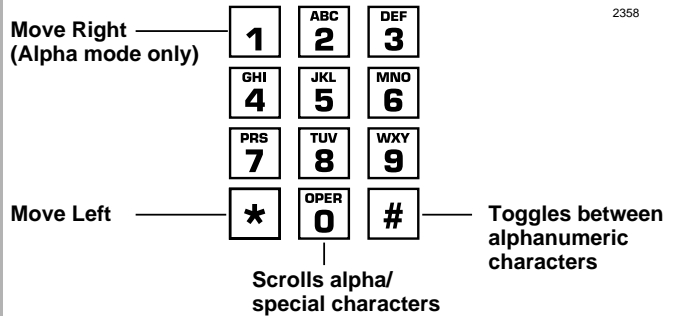
➤ **To program names and numbers**

1. Press <b>Redial</b> , then <b>Speed Dial</b> .	The LCD displays:	#* NNN SPEED DIAL
2. Enter the Speed Dial number.	The current name/memo and its code displays (see <a href="#">Table 8 on Page 42</a> ).	
3. Press <b>Mode</b> .	The name/memo appears as you enter it.	

## Setting System Parameters

### Speed Dial—Advanced Features

4. Enter up to 12 alphanumeric characters, (see the figure at the right) using the station keypad.



5. Press **Mode**.
6. Press [PDN], then enter the desired CO line access code, plus the telephone number (20 digits maximum).
7. Press **Redial**.
8. Repeat Steps 1~7 to enter more names/ memos.

The number appears as you entered it. Speed Dial numbers and memos and their corresponding two- or three-digit codes can be recorded on the Speed Dial Memo Directory at the back of this guide.

**Note** If telephones use direct appearing CO line buttons to place outgoing calls—do not press [PDN] in Step 6.

The data is recorded into memory.

► To view and/or dial a Speed Dial number

1. Press **Mode** + **8XXX**.

The Speed Dial number appears with a name or memo.

MODE NO.8XXX

**XXX** = Personal or System Speed Dial Codes.

See [Table 8 on Page 42](#).

**Note** It is recommended that you record Speed Dial numbers and memos and their corresponding three-digit codes on the Speed Dial Memo Directory at the back of this guide.

2. Press **Page** to scan the directory for the appropriate number/memo.
3. Press any available **Line** or [DN] + a CO Line Access Code.

The number is dialed.

See [“CO Line Access Codes” on Page 39](#).

► To check a Speed Dial number

1. Press **Mode** + **8**.

See [Table 8 on Page 42](#). The LCD displays a “+” sign if there are more than 16 digits.

2. Enter a speed dial code.

**Note** If the number is longer than 16 digits, press **Scroll** to display the remaining digits.

3. To see the next number, press **Page**.

## Toll Restriction Override/Traveling Class Codes

As a System Administrator, you can add or change Toll Restriction Override codes. When a station dials these override codes, after accessing an outside line or LCR, the station Toll Restriction Class is changed to that assigned to the override code dialed (Traveling Class). To add, change or delete Toll Restriction Override or a Traveling Class code, the following steps must be performed from the Administrator's telephone.

► **To add/delete/change toll restriction override or traveling class codes**

1. Press [DN].
2. Enter the Traveling Class access code  
**#691~#698**

...or enter  
**#691~#698** to  
change the assigned  
TR Class 01~08  
Travel Class Codes  
respectively.

...or enter the Toll  
Restriction Override  
access code  
**#654~#655**

3. Enter the desired  
four-digit override  
code.

You hear a confirmation tone.

The code appears on the LCD  
as you enter it and you hear a  
dial tone.

NO.NNN ENTER OVR. CODE
---------------------------

**#654~#655** represent override Codes 1 and 2  
respectively.

4. Press **Redial**.

You hear a confirmation tone.  
The code is stored in memory.

<b>NO. NNN</b> <b>DATA PROGRAMMED</b>
--

**Notes**

- When making outgoing calls, dialing the Traveling Class code puts the telephone in the Toll Restriction class of the code that was dialed.
- When making outgoing calls, dialing the Override code, overrides all toll restrictions that may be normally applied to the telephone.
- The Toll Restriction Travel Class/Override codes do not print on SMDR reports.

5. Repeat Steps 1~3 to enter up to eight Traveling Class codes and two Toll Restriction Override codes.

6. Press **Spkr**.

The telephone returns to the idle mode.

► **To delete toll restriction override or traveling class code** **Verified Account Codes**

1. Press a [DN] and dial the assigned toll restriction override change access code:  
**#691~#698** or  
**#654~#655**.

You hear a confirmation tone.

2. Press **Redial**.

You hear confirmation tone.

3. Press **Spkr**.

The telephone returns to the idle mode.

## Verified Account Codes

Adding, deleting, or changing Verified Account Codes can be done at designated stations only. The privileged stations are assigned by the system programmer.

► **To add or change verified account codes**

1. Press [DN] + <b>#659</b> .	You hear a confirmation tone.	<div style="border: 1px solid black; padding: 5px; text-align: center;">NO.NNN VERIFY ACC SET</div>
2. Enter the desired three-digit verified account code reference number ( <b>000~299</b> ) or ( <b>000~499</b> ) for some systems.	Account codes appear on the LCD as you enter them. All systems have 300 account code numbers ( <b>000~299</b> ), except the RCTUE/F processor, which has 500 ( <b>000~499</b> ).	<div style="border: 1px solid black; padding: 5px; text-align: center;">NO.NNN ERIFY ACC SET XXX</div>
3. Enter the verified account code. The system is programmed for ___ digits.	Account codes can be 4~15 digits long; the number of digits is set system wide for all account codes in system programming. The code appears on the LCD as you enter it.	<div style="border: 1px solid black; padding: 5px; text-align: center;">NO.NNN XXX XXXXXXXXXXXXXXX</div>
4. Press <b>Redial</b> .	You hear a confirmation tone. The code is stored.	<div style="border: 1px solid black; padding: 5px; text-align: center;">NO.NNN DATA PROGRAMMED</div>
5. Press <b>Spkr</b> .		
6. Repeat Steps 1~4 to enter more verified account codes.	The telephone returns to the idle mode.	

► **To delete verified account codes**

- 
- |   |   |
|---|---|
| 1. Press [DN] + <b>#659</b> .   | You hear a confirmation tone.           |
| 2. Enter the three-digit verified account code reference number ( <b>000~299</b> ) or ( <b>000~499</b> ) to be deleted. | You hear a confirmation tone.           |
| 3. Press <b>Redial</b> .  | The telephone returns to the idle mode. |
| 4. Press <b>Spkr</b> .  |   |

## Setting System Parameters

*Verified Account Codes*



This appendix contains access codes for outside Speed Dial numbers, CO lines, Paging Group and Paging Zone Codes.

## CO Line Access Codes

CO lines are used when you dial an outside number. If your telephone does not have a **CO** or **Line** button, you can enter the appropriate code listed in [Table 5](#) to access an outside line.

You can also store the code on a Speed Dial (**SD**) button for one-touch access. If you are storing a CO line access code onto a Speed Dial code, enter **44** before the CO access code (e.g., to store code **#7001**, enter **447001**).

In some systems, **9** is used as a general group code or to access Least Cost Routing (LCR). System users are required to dial **9** in order to access an outside line. If you press **9** in a system programmed with LCR, you may not hear internal dial tone, depending on system programming.

See your System Administrator for the code which applies to your telephone.

## Access Codes

### Feature Access Codes

#### ► To access a line

- Press [PDN] + CO Line Access Code ([Table 5](#)).

**Table 5** CO Line Access Codes

System	CO Line Access Codes
DK14	<b>9</b> or <b>801-804</b> or <b>#7001-#7004</b>
DK16e, DK16	<b>9</b> or <b>801-808</b> or <b>#7001-#7008</b>
DK40i, DK40	<b>9</b> or <b>801-808</b> or <b>#7001-#7012</b>
DK424 (RCTUA)	<b>9</b> or <b>801-808</b> or <b>#7001-#7016</b>
DK424 (RCTUBA/BB) and DK424i (B1CU)	<b>9</b> or <b>801-808</b> or <b>#7001-#7048</b>
DK424 (RCTUC/D) and DK424i (B2CAU/B2CBU) (B3CAU/B3CBU)	<b>9</b> or <b>801-816</b> or <b>#7001-#7144</b>
DK424 (RCTUE/F) and DK424i (B5CAU/B5CBU)	<b>9</b> or <b>801-816</b> or <b>#7001-#7200</b>

#### Notes

- **9** accesses LCR or general line group.
- **801~816** accesses line groups 1~16, respectively.
- **#7001~#7200** accesses individual lines 1~200, respectively.

## Feature Access Codes

See [Table 4 on Page 26](#).

# Paging Group Codes

Your telephone can be assigned to page group(s). Telephones can be a member of more than one group and each group can have as many as 120 stations. Station users can access each group separately by dialing an access code (see [Table 6](#) and [Table 7](#) on [Page 41](#) ).

- **To enter a paging group access code**
  - Press [PDN] + Access Code

**Table 6      Paging Groups**

Paging Group	Access Code	Paging Group	Access Code
Station Group A	<b>#311</b>	Station Group E	<b>#315</b>
Station Group B	<b>#312</b>	Station Group F	<b>#316</b>
Station Group C	<b>#313</b>	Station Group G	<b>#317</b>
Station Group D	<b>#314</b>	Station Group H	<b>#318</b>

**Table 7      External Paging Zones**

External Paging Zone	Access Code	External Paging Zone	Access Code
<b>DK14, DK40i, DK40, DK424 (all processors)</b>			
Paging All Call Page Zone	<b>#30</b>	Paging All Call, External Page Zone	<b>#39</b>
<b>DK40i, DK40, DK424 (RCTUA, RCTUBA/BB, RCTUC/D), and DK424i (B1CU, B2CAU/B2CBU, B3CAU/B3CBU)</b>			
Zone A	<b>#35</b>	Zone C	<b>#37</b>
Zone B	<b>#36</b>	Zone D	<b>#38</b>
<b>DK424 (RCTUE/F) and DK424i (B5CAU/B5CBU)</b>			
Zone A	<b>#351</b>	Zone E	<b>#355</b>
Zone B	<b>#352</b>	Zone F	<b>#356</b>
Zone C	<b>#353</b>	Zone G	<b>#357</b>
Zone D	<b>#354</b>	Zone H	<b>#358</b>

# Speed Dial Access Codes

The number of station and system speed dial numbers available to you depends on the size of your company's telephone system. Check with your System Administrator to find out which codes apply to your system.

Once you store a telephone number on any of the codes listed below, you can dial the number by entering the code, such as **\*10** or **Speed Dial + 10**.

**Table 8      Speed Dial Access Codes**

Telephone System Size	Station Speed Dial Codes	System Speed Dial Codes
Small System (DK14, DK16, DK16e, DK40, DK40i, and RCTUA)	<b>10~49</b>	<b>60~99</b>
Medium System (RCTUBA/BB and RCTUC/D, B1CU, B2CAU/B2CBU and B3CAU/B3CBU)	<b>10~49</b>	<b>600~699</b>
Large System (RCTUE/F and B5CAU/B5CBU)	<b>100~139</b>	<b>200~999</b>

**Table 9      System Speed Dial Number Linking**

System	System Speed Dial Codes that can be inked to other Speed Dial Codes
DK14, DK16e, DK40i, RCTUA	<b>90~99</b>
RCTUBA/BB, RCTUC/D, B1CU, B2CAU/B2CBU and B3CAU/B3CBU	<b>690~699</b>
RCTUE/F and B5CAU/B5CBU	<b>990~999</b>

# Directories/Record

# B

## User Name/Number Directory

Name/Numbers are limited to 16 alphanumeric characters and are displayed on the top row or idle LCD stations and the bottom row of called LCD stations.

This directory is provided for the Administrator station for referencing and recording of other station Name/Numbers.

Station #: \_\_\_\_\_

D	A	T	E		D	A	Y		T	I	M	E			

Station #: \_\_\_\_\_

D	A	T	E		D	A	Y		T	I	M	E			

Station #: \_\_\_\_\_

D	A	T	E		D	A	Y		T	I	M	E			

Station #: \_\_\_\_\_

D	A	T	E		D	A	Y		T	I	M	E			

## Speed Dial Memo Directory

Speed Dial memos are limited to 12 characters for the memo (top row of LCD) and 16 digits/pauses for the dial number (bottom row of LCD).

This directory is provided for recording Speed Dial numbers with memos from the Administrator station.

**\*Code: 11-Character Memo Example**

*	6	0	0	-	M	E	M	O		H	E	R	E		
S	P	E	E	D		D	I	A	L	#		H	E	R	E

*				-											

*				-											

*				-											

*				-											

**Note** Speed Dial numbers may be 60~99 or 600~699 depending on the system size.







# Index

---

## A

- about this book
  - conventions, [v](#)
  - important notes, [vi](#)
  - organization, [iv](#)
  - related documents, [vii](#)
- access codes
  - CO line, [39](#)
  - feature, [24](#)
  - speed dial, [42](#)
- access DISA, [4](#)
- account codes
  - revision, [34](#)
  - verified, [35, 36](#)
- auto attendant, [1, 4](#)
  - announcement recording
    - recommendations, [4](#)
  - CO line assignments, [2](#)
  - dialing plan, [3](#)
  - menu, [3](#)
  - system dialing plan, [3](#)
- automatic station relocation
  - physically, [15](#)
  - swap buttons/features, [15](#)

## C

- CAMA trunk calls, [6](#)
- CO lines, [4](#)
  - access codes, [39](#)
  - auto attendant assignments, [2](#)
- codes
  - feature access, [24](#)
  - paging group, [41](#)
  - speed dial access, [42](#)
  - toll restriction override, [34](#)
  - traveling class, [34](#)
  - verified account, [35, 36](#)

## D

- day 2 mode, [9](#)
- day mode, [9](#)
- day/day 2/night modes, [2, 5, 9](#)
- default DNs, [3](#)
- dial pad key equivalents, [19](#)
- directories, [43](#)
  - speed dial memo, [44](#)
  - user name/number, [43](#)
- DISA
  - access, [4](#)
  - outgoing calls, [3](#)

- security code, [1](#), [4](#), [5](#)
  - cancel, [6](#)
  - enter/change, [5](#), [7](#)

## **E**

- emergency 911 calls, [6](#)
- equipment notes, [iv](#)
- external paging zones, [41](#)

## **F**

- feature access codes, [24](#)
- flash button, [28](#)

## **L**

- LCD name/number information
  - clear, [20](#)
  - enter, [20](#)
  - erase, [21](#)
  - other stations/devices
    - enter name/number, [21](#)
    - erase name/number, [22](#)
- linked speed dial example, [30](#)

## **M**

- memos, [18](#)
- messages, [18](#)
- multiple announcement machine, [4](#)

## **N**

- names, [18](#)
- night mode, [9](#)
- night transfer, [1](#), [2](#), [9](#)
  - enable/disable, [9](#)
  - lock mode, [11](#)
  - lock/unlock password, [9](#)

- assign/change, [10](#)
  - routing (ringing) patterns, [9](#)
- non-LCD telephones, [19](#)

## **P**

- page button, [21](#), [33](#)
- paging group codes, [41](#)
- primary announcement, [2](#), [4](#)

## **R**

- records, [43](#)
  - telephone location, [45](#)
- relocation by special dial, [16](#)

## **S**

- secondary announcement, [2](#), [4](#)
- setting date/time/day, [1](#), [12](#), [13](#)
- soft keys, [1](#), [14](#), [21](#), [31](#)
  - to turn off, [14](#)
  - to turn on, [14](#)
- speed dial, [23](#), [31](#)
  - access codes, [42](#)
  - accessing stored number, [24](#)
  - advanced features, [24](#)
  - checking a number, [33](#)
  - clearing an entry, [23](#)
  - dialing, [33](#)
  - flash, [28](#)
  - long pause, [28](#)
  - memo, [31](#)
    - program names and numbers, [31](#)
  - number linking, [28](#)
    - example, [30](#)
    - store CO line access code, [30](#)
    - use new link, [31](#)

- pause and flash storage, 28
- storing a feature, 23
- storing system speed dial number in a
  - system speed dial code, 23
- system numbers, 23
- view, 33

station (directory) number, 3

station relocation, 1, 14

- automatically relocate, 15
- relocation by special dial, 16

system

- auto attendant dialing plan, 3
- messages, names and memos, 1, 18
- setting parameters, 1
- speed dial memo numbers, 1
- speed dial numbers, 23

## T

telephone location record, 31

tenant service, 9

toll restriction override, 1, 34

- add/delete/change, 34
- by system speed dial, 30
- delete, 35

traveling class codes, 1, 34

- add/delete/change, 34
- delete, 35

## U

user LCD name/number display, 19

- clear, 20
- erase, 21
- other stations/devices
  - enter name/number display, 21
  - erase name/number display, 22
- write, 18

## V

verified account codes, 1, 35, 36

- add/change, 36
- delete, 37

## W

write

- LCD memos, 18
- LCD messages, 18
- LCD name/number displays, 18



## Free Manuals Download Website

<http://myh66.com>

<http://usermanuals.us>

<http://www.somanuals.com>

<http://www.4manuals.cc>

<http://www.manual-lib.com>

<http://www.404manual.com>

<http://www.luxmanual.com>

<http://aubethermostatmanual.com>

Golf course search by state

<http://golfingnear.com>

Email search by domain

<http://emailbydomain.com>

Auto manuals search

<http://auto.somanuals.com>

TV manuals search

<http://tv.somanuals.com>