

TOSHIBA

Leading Innovation >>>

Integrated High Definition LED Television Resource Guide

58/65L5400U (United States model)
58/65L5400UC (Canada model)

NOTE Keep this Resource Guide in a convenient place to access important information about your television. To obtain additional information, consult the comprehensive electronic User's Guide at:

- L5400U series: support.toshiba.com
- L5400UC series: www.toshiba.ca/support/ceg

If you need assistance:

- Toshiba's Support Web site: L5400U series: support.toshiba.com L5400UC series: www.toshiba.ca/support/ceg

Owner's Record
The model number and serial number are on the back and side of your television. Record these numbers, and use them whenever you communicate with your Toshiba dealer about this television.
Model name _____ Serial number _____

Register your Toshiba Television at:
L5400U series: register.toshiba.com
L5400UC series: www.toshiba.ca/support/ceg

Note: To display a High Definition picture, the TV must be receiving a High Definition signal (such as an over-the-air High Definition TV broadcast, a High Definition digital cable program, or a High Definition digital satellite program). For details, contact your TV antenna installer, cable provider, or satellite provider.

Dear Customer,
Thank you for purchasing this Toshiba LED TV. This document will help you use the many exciting features of your new LED TV. Before operating your LED TV, carefully read this document completely.

Safety Precautions
WARNING: TO REDUCE THE RISK OF FIRE OR ELECTRIC SHOCK, DO NOT EXPOSE THIS APPLIANCE TO RAIN OR MOISTURE.



WARNING: TO REDUCE THE RISK OF ELECTRIC SHOCK, DO NOT REMOVE COVER (OR BACK). NO USER-SERVICEABLE PARTS INSIDE. REFER SERVICING TO QUALIFIED SERVICE PERSONNEL.

The lightning flash with arrowhead symbol, within an equilateral triangle, is intended to alert the user to the presence of uninsulated "dangerous voltage" within the product's enclosure that may be of sufficient magnitude to constitute a risk of electric shock to persons.

The exclamation point within an equilateral triangle is intended to alert the user to the presence of important operating and maintenance (servicing) instructions in the literature accompanying the appliance.

WARNING Improper location and installation of a television can lead to the death of your child. Never place the television on furniture or in a location where children can climb up on and tip over the television. Please refer to the Child Safety information in item 26) in the Important Safety Instructions/Installation section.

WARNING To prevent injury, this apparatus must be securely attached to the sturdy, level, stable surface/wall in accordance with the installation instructions. See instructions in item 26).

CHILD SAFETY: PROPER TELEVISION PLACEMENT MATTERS

TOSHIBA CARES:

- Manufacturers, retailers and the rest of the consumer electronics industry are committed to making home entertainment safe and enjoyable.
- As you enjoy your television, please note that all televisions – new and old – must be supported on proper stands or installed according to the manufacturer's recommendations. Televisions that are inappropriately situated on dressers, bookcases, shelves, desks, speakers, chests, carts, etc., may fall over, resulting in injury.

TUNE IN TO SAFETY

- ALWAYS** follow the manufacturer's recommendations for the safe installation of your television.
- ALWAYS** read and follow all instructions for proper use of your television.
- NEVER** allow children to climb on or play on the television or the furniture on which the television is placed.
- NEVER** place the television on furniture that can easily be used as steps, such as a chest of drawers.
- ALWAYS** install the television where it cannot be pushed, pulled over or knocked down.
- ALWAYS** route cords and cables connected to the television so that they cannot be tripped over, pulled or grabbed.

WALL OR CEILING MOUNT YOUR TELEVISION
ALWAYS contact your retailer about professional installation if you have any

WARNING If you decide to wall mount this television, always use a mounting bracket that has been Listed by an independent laboratory (such as UL, CSA, ETL) and is appropriate for the size and weight of this television. The use of inappropriate or Non-Listed mounting brackets could result in serious bodily injury and/or property damage. See "To Display your LED TV using a Wall Bracket:" below.

doubts about your ability to safely mount your television.

- ALWAYS** use a mount that has been recommended by the television manufacturer and has a safety certification by an independent laboratory (such as UL, CSA, ETL).
- ALWAYS** follow all instructions supplied by the television and mount manufacturers.
- ALWAYS** make sure that the wall or ceiling where you are mounting the television is appropriate. Some mounts are not designed to be mounted to walls and ceilings with steel studs or cinder block construction. If you are unsure, contact a professional installer.
- Televisions can be heavy. A minimum of two people is required for a wall or ceiling mount installation.

MOVING AN OLDER TELEVISION TO A NEW PLACE IN YOUR HOME

- Many new television buyers move their older CRT televisions into a secondary room after the purchase of a flat-panel television. Special care should be made in the placement of older CRT televisions.
- ALWAYS** place your older CRT television on furniture that is sturdy and appropriate for its size and weight.
- NEVER** place your older CRT television on a dresser where children may be tempted to use the drawers to climb.
- ALWAYS** make sure your older CRT television does not hang over the edge of your furniture.



NOTE TO CATV INSTALLERS

This is a reminder to call the CATV system installer's attention to Article 820-40 of the U.S. NEC, which provides guidelines for proper grounding and, in particular, specifies that the cable ground shall be connected to the grounding system of the building, as close to the point of cable entry as practical. For additional antenna grounding information, see item 33) and item 34).

Important Safety Instructions

- 1) Read these instructions.
- 2) Keep these instructions.
- 3) Heed all warnings.
- 4) Follow all instructions.
- 5) Do not use this apparatus near water.
- 6) Clean only with dry cloth.
- 7) Do not block any ventilation openings.

Install in accordance with the manufacturer's instructions.

8) Do not install near any heat sources such as radiators, heat registers, stoves, or other apparatus (including amplifiers) that produce heat.

9) Do not defeat the safety purpose of the polarized or grounding type plug.

A polarized plug has two blades with one wider than the other. A grounding type plug has two blades and a third grounding prong. The wide blade or the third prong are provided for your safety. If the provided plug does not fit into your outlet, consult an electrician for replacement of the obsolete outlet.

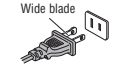
10) Protect the power cord from being walked on or pinched, particularly at plugs, convenience receptacles, and the point where they exit from the apparatus.

11) Only use attachments/accessories specified by the manufacturer.

12) Use only with the cart, stand, tripod, bracket, or table specified by the manufacturer, or sold with the apparatus.

When a cart is used, use caution when moving the cart/product combination to avoid injury from tip-over.

13) Unplug this apparatus during lightning storms or when unused for long periods of time.



14) Refer all servicing to qualified service personnel. Servicing is required when the apparatus has been damaged in any way, such as when power-supply cord or plug is damaged, liquid has been spilled or objects have fallen into the apparatus, the apparatus has been exposed to rain or moisture, does not operate normally, or has been dropped.

Additional Safety Precautions

14a) **CAUTION:** If the TV is dropped and the cabinet or enclosure surface has been damaged or the TV does not operate normally, take the following precautions:

- ALWAYS** turn off the TV and unplug the power cord to avoid possible electric shock or fire.

- NEVER** allow your body to come in contact with any broken glass or liquid from the damaged television. The LCD panel inside the TV contains glass and a toxic liquid. If the liquid comes in contact with your mouth or eyes, or your skin is cut by broken glass, rinse the affected area thoroughly with water and contact your doctor immediately.

- ALWAYS** contact a service technician to inspect the TV any time it has been damaged or dropped.

15) **CAUTION:**

- To reduce the risk of electric shock, do not use the polarized plug with an extension cord, receptacle, or other outlet unless the blades can be inserted completely to prevent blade exposure.

- To prevent electric shock, match wide blade of plug to wide slot; fully insert.

16) **CAUTION:**

- Do not let children swallow any small parts included on or with the product or play with the plastic bag. Keep the small parts and the plastic bag out of the reach of children.

17) **CAUTION:** Do not let water or other liquids come into contact with the product, as it may result in damage.

18) **WARNING:**

- To prevent the spread of fire, keep candles or other open flames away from this product at all times.
- Keep the product away from direct sunlight, fire or a heat source such as a heater. This may reduce the product lifetime or result in fire.

Installation, Care, and Service Installation

Follow these recommendations and precautions and heed all warnings when installing your TV:

19) **WARNING: NEVER expose the batteries to excessive heat such as sunshine, fire, or the like.**

20) ALWAYS plug the product into an outlet that is located in such a manner that it can be easily unplugged in case the product requires service.

21) NEVER route the product's power cord inside a wall or similar enclosed area.

22) Never modify this equipment. Changes or modifications may void: a) the warranty, and b) the user's authority to operate this equipment under the rules of the Federal Communications Commission.

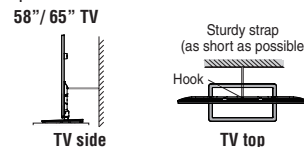
23) **DANGER: RISK OF SERIOUS PERSONAL INJURY, DEATH, OR EQUIPMENT DAMAGE!**

Never place the TV on an unstable cart, stand, or table. The TV may fall, causing serious personal injury, death, or serious damage to the TV.



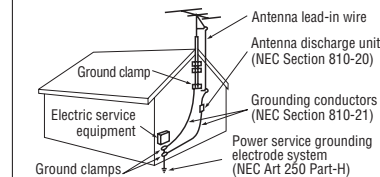
- 24) When selecting a location for the TV,
 - NEVER allow any part of the TV to hang over the edge of the supporting furniture.
 - NEVER place the TV on tall furniture (for example, entertainment centers or bookcases) without anchoring both the furniture and the TV to a suitable support.
 - Never place cloth or other material between the TV and the supporting furniture.
 - NEVER allow children to climb on the TV.
- 25) To avoid damage to this product, never place or store the TV in direct sunlight; hot, humid areas; or areas subject to excessive dust or vibration.

- 26) Always place the TV on a sturdy, level, stable surface that can support the entire bottom surface of the stand and the weight of the unit using the following method: Secure the TV with a sturdy strap to a wall stud, pillar, or other immovable structure. When connecting the strap:
 - attach the strap to the TV using the hooks or clips on the back of the TV.
 - make sure the strap is tight, secure, and parallel to the floor.



- 27) The product shall not be exposed to dripping or splashing, and that no objects filled with liquids, such as vases, shall be placed on the apparatus.
- 28) Never block or cover the slots or openings in the TV cabinet back, bottom, and sides. Never place the TV:
 - on a bed, sofa, rug, or similar surface;
 - too close to drapes, curtains, or walls; or
 - in a confined space such as a bookcase, built-in cabinet, or any other place with poor ventilation.

- 29) Always leave a space of at least 4 (four) inches around the TV. The slots and openings are provided to protect the TV from overheating and to help maintain reliable operation of the TV.
- 30) Never allow anything to rest on or roll over the power cord, and never place the TV where the power cord is subject to wear or abuse.
- 31) Never overload wall outlets and extension cords.
- 32) Always operate this equipment from a 120V AC, 60Hz power source.
- 33) Always make sure the antenna system is properly grounded to provide adequate protection against voltage surges and built-up static charges (see Section 810 of the National Electric Code).



34) **DANGER: RISK OF SERIOUS PERSONAL INJURY OR DEATH!**

- When installing a rooftop antenna, use extreme care to make sure you are never in a position where your body (or any item you are in contact with, such as a ladder or screwdriver) can accidentally touch overhead power lines. Never locate the antenna near overhead power lines or other electrical circuits.
- Never attempt to install any of the following during lightning activity: a) an antenna system; or b) cables, wires, or any home theater component connected to an antenna or phone system.

Care
For better performance and safer operation of your TOSHIBA TV, follow these recommendations and precautions:

35) If you use the TV in a room where the temperature is 32° F (0° C) or below, the picture brightness may vary until the LED warms up. This is not a sign of malfunction.

36) **WARNING: RISK OF SERIOUS PERSONAL INJURY, OR EQUIPMENT DAMAGE!**

- Never use chemicals (such as air fresheners, cleaning agents, etc.) on or near the TV pedestal. Studies indicate that plastics may weaken and crack over time from the combined effects of chemical agents and mechanical stress (such as the weight of the TV). Failure to follow these instructions could result in serious injury and/or permanent damage to TV and TV pedestal.
- Always unplug the TV before cleaning. Gently wipe the display panel surface (the TV screen) using a dry, soft cloth (cotton, flannel, etc.). A hard cloth may damage the surface of the panel. Avoid contact with alcohol, thinner, benzene, acidic or alkaline solvent cleaners, abrasive cleaners, or chemical cloths, which may damage the surface. Never spray volatile compounds such as insecticide on the cabinet. Such products may damage or discolor the cabinet.

37) Never hit, press, or place anything on the back cover. These actions will damage internal parts.

38) **WARNING: RISK OF ELECTRIC SHOCK!**

- Never spill liquids or push objects of any kind into the TV cabinet slots.
- During a lightning storm, do not touch the connecting cables or product.

39) **WARNING: RISK OF ELECTRIC SHOCK!**

- Never attempt to service the TV yourself. Opening and removing the covers may expose you to dangerous voltage or other hazards. Failure to follow this WARNING may result in death or serious injury. Refer all servicing not specified in this

40) For added protection of your TV from lightning and power surges, always unplug the power cord and disconnect the antenna from the TV if you leave the TV unattended or unused for long periods of time.

41) Always unplug the TV to completely disconnect from mains power. When the TV is turned off using the on/off switch, it is not completely disconnected from power and a minute amount of current is still consumed.

42) During normal use, the TV may make occasional snapping or popping sounds. This is normal, especially when the unit is being turned on or off. If these sounds become frequent or continuous, unplug the power cord and contact a Toshiba Authorized Service Provider.

43) **WARNING: RISK OF SERIOUS PERSONAL INJURY, OR EQUIPMENT DAMAGE!**

- Never strike the screen with a sharp or heavy object.

44) • The LCD screen of this product can be damaged by ultraviolet radiation from the sun. When selecting a location for the television, avoid locations where the screen may be exposed to direct sunlight, such as in front of a window.

- Never touch, press, or place anything on the LCD screen. These actions will damage the LCD screen. If you need to clean the screen, follow the instructions in item 36).

Service

45) **WARNING: RISK OF ELECTRIC SHOCK!**

- Never attempt to service the TV yourself. Opening and removing the covers may expose you to dangerous voltage or other hazards. Failure to follow this WARNING may result in death or serious injury. Refer all servicing not specified in this

manual to a Toshiba Authorized Service Provider.

46) If you have the TV serviced:

- Ask the service technician to use only replacement parts specified by the manufacturer.
- Upon completion of service, ask the service technician to perform routine safety checks to determine that the TV is in safe operating condition.

Choosing a location for your LED TV To Display your LED TV on the included Pedestal Stand:

Observe the following safety precautions:

1) Read and follow the pedestal assembly instructions included with the pedestal.

CAUTION: Before beginning pedestal assembly, carefully lay the front of the LCD panel face down on a flat, cushioned surface such as a quilt or blanket. Leave the bottom of the unit protruding over the edge of the surface and assemble the pedestal as described in this instruction document.

Note: Extreme care should always be used when attaching the pedestal stand to avoid damage to the LCD panel.

2) Place the TV on a sturdy, level surface that can support the entire bottom surface of the stand and the weight of the unit.

3) Be sure to secure the TV to a wall stud, pillar, surface, or other immovable structure. See item 26) for additional details.

To Display your LED TV using a Wall Bracket: If you decide to wall mount your LED TV, always use a wall bracket Listed by an independent laboratory (such as UL, CSA, ETL) that is appropriate for the size and weight of the TV:

CAUTION: Two people are required for installation.

1) Unplug and remove any cables and/or other component connectors from the rear of the TV.

2) Always use the screws supplied or recommended by the wall mount manufacturer.

3) Follow the instructions provided with your wall bracket. Before proceeding, make sure the appropriate bracket(s) are attached to the wall and the back of the TV as described in the instructions provided with the wall bracket.

4) After attaching the appropriate bracket(s) to the wall and the back of the TV, remove the pedestal stand from the TV, as described in this instruction document.

5) VESA Mounting Pattern

TV Size	Hole Pattern (HxV)	Screw Size
58"	400x400 mm	M6
65"	400x400 mm	M6

(unit in mm)

Removing the Pedestal Stand

1) Carefully lay the front of the unit face down on a flat, cushioned surface such as a quilt or blanket. Leave the stand protruding over the edge of the surface.

Note: Extreme care should always be used when removing the pedestal stand to avoid damage to the LCD panel.

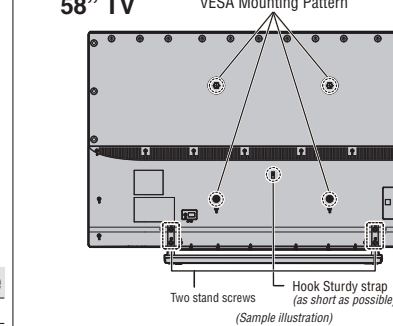
- 2) Remove the stand screws shown in the diagram. This will allow removal of the pedestal stand.
- 3) Once you have removed all screws holding the pedestal stand in place, remove the pedestal stand from the TV.

CAUTION: Always place the TV on a sturdy, level, stable surface that can support the entire bottom surface of the stand and the weight of the unit using the following method: Secure the TV with a sturdy strap to a wall stud, pillar, or other immovable structure.

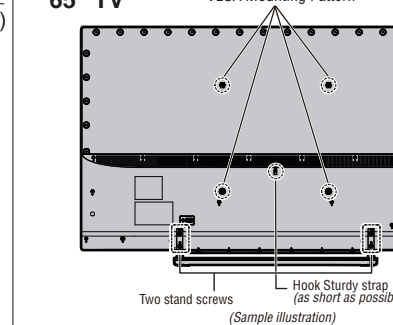
When connecting the strap:
- attach the strap to the TV using the hooks or clips on the back of the TV.
- make sure the strap is tight, secure, and parallel to the floor.

L5400U/UC Series

58" TV VESA Mounting Pattern



65" TV VESA Mounting Pattern



FCC Declaration of Conformity Compliance Statement (Part 15): Toshiba 58L5400U/UC, and 65L5400U/UC Television models comply with Part 15 of the FCC rules.

Operation is subject to the following two conditions:

- (1) This device may not cause harmful interference, and
- (2) This device must accept any interference received, including interference that may cause undesired operation.

The party responsible for compliance to these rules is:

Toshiba America Information Systems, Inc. 9740 Irvine Blvd., Irvine, CA 92618. Phone: 800-631-3811

Note: This equipment has been tested and found to comply with the limits for a Class B digital device, pursuant to Part 15 of the FCC Rules. These limits are designed to provide reasonable protection against harmful interference in a residential installation. This equipment generates, uses, and can radiate radio frequency energy and, if not installed and used in accordance with the instructions, may cause harmful interference to radio or television reception, which can be determined by removing and applying power to the equipment, the user is encouraged to try to correct the interference by one of the following measures:

- Reorient or relocate the receiving antenna.
- Increase the separation between the equipment and receiver.
- Connect the equipment to an outlet on a circuit different from that to which the receiver is connected.

• Consult the dealer or an experienced radio/TV technician for help.

Caution: Changes or modifications to this equipment not expressly approved by Toshiba could void the user's authority to operate this equipment.

Canada - Industry Canada Statement

This device complies with RSS-210. Operation is subject to the following two conditions:

- (1) This device may not cause harmful interference received, and
- (2) This device must accept any interference received, including interference that may cause undesired operation of the device. This device and its antenna(s) must not be co-located or operating in conjunction with any other antenna or transmitter.

ENERGY STAR® User Information

ENERGY STAR User Information Statement: The factory default settings of this television meet ENERGY STAR® requirements.

Changing Picture Settings may increase energy consumption, possibly beyond the limits required for ENERGY STAR qualification. To ensure your television is operating at optimal energy efficiency, select [Home] mode during initial activation. To return to [Home] mode settings, select [Standard] picture mode. [Standard] mode is recommended for normal home use.



ENERGY STAR® qualified TV. Products that earn the ENERGY STAR prevent green house gas emissions by meeting strict guidelines set by the U.S. Environmental Protection Agency. ENERGY STAR and the ENERGY STAR mark are registered U.S. marks.

Important notes about your TV

The following symptoms are technical limitations of LCD Display technology and are not an indication of malfunction; therefore, Toshiba is not responsible for perceived issues resulting from these symptoms.

- 1) An afterimage (ghost) may appear on the screen if a fixed, non-moving image appears for a long period of time. The afterimage is not permanent and will disappear in a short period of time.
- 2) The LCD panel contained in this TV is manufactured using an extremely high level of precision technology; however, there may be an occasional pixel (dot of light) that does not operate properly (does not light, remains constantly lit, etc.). This is a structural property of LCD technology, is not a sign of malfunction, and is not covered under your warranty. Such pixels are not visible when the picture is viewed from a normal viewing distance.

Note: Interactive video games that involve shooting a "gun" type of joystick at an on-screen target may not work with this TV.

Trademark Information

- ColorStream is a trademark of Toshiba America Information Systems, Inc.
- Blu-ray Disc™, Blu-ray™, and the logos are trademarks of the Blu-ray Disc Association.
- The terms HDMI and HDMI High-Definition Multimedia Interface, and the HDMI Logo are trademarks or registered trademarks of HDMI Licensing LLC in the United States and other countries.
- Netflix is a registered trademark of Netflix, Inc.
- All other brand and product names are trademarks or registered trademarks of their respective companies.

Copyright

© 2014 by Toshiba America Information Systems, Inc. All rights reserved. Under the copyright laws, this guide cannot be reproduced in any form without the prior written permission of Toshiba. No patent liability is assumed, however, with respect to the use of the information contained herein.

Notice

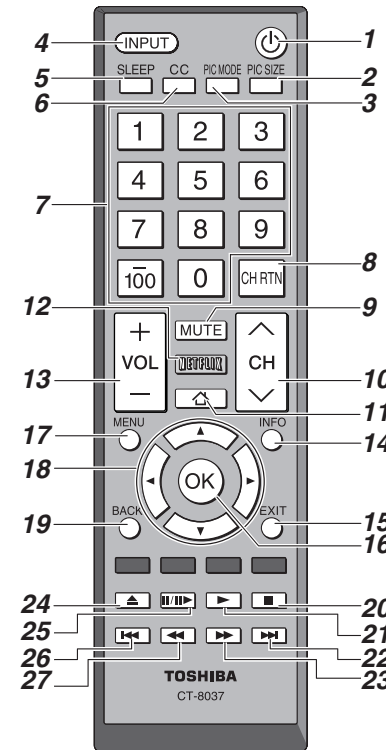
The information contained in this manual, including but not limited to any product specifications, is subject to change without notice.

TOSHIBA AMERICA INFORMATION SYSTEMS, INC. AND TOSHIBA OF CANADA LIMITED (COLLECTIVELY TOSHIBA), PROVIDES NO WARRANTY WITH REGARD TO THIS MANUAL OR ANY OTHER INFORMATION CONTAINED HEREIN AND HEREBY EXPRESSLY DISCLAIMS ANY IMPLIED WARRANTIES OF MERCHANTABILITY OR FITNESS FOR ANY PARTICULAR PURPOSE WITH REGARD TO ANY OF THE FOREGOING. TOSHIBA ASSUMES NO LIABILITY FOR ANY DAMAGES INCURRED DIRECTLY OR INDIRECTLY FROM ANY TECHNICAL OR TYPOGRAPHICAL ERRORS OR OMISSIONS CONTAINED HEREIN OR FOR DISCREPANCIES BETWEEN THE PRODUCT AND THE MANUAL. IN NO EVENT SHALL TOSHIBA BE LIABLE FOR ANY INCIDENTAL, CONSEQUENTIAL, SPECIAL, OR EXEMPLARY DAMAGES, WHETHER BASED ON TORT, CONTRACT OR OTHERWISE, ARISING OUT OF OR IN CONNECTION WITH THIS MANUAL OR ANY OTHER INFORMATION CONTAINED HEREIN OR THE USE THEREOF.

Using the Remote

The buttons used for operating the TV are described here. For the HDMI® CEC remote control functions, see the "HDMI® CEC playback device (DVD player, etc.) control" section in the User's Guide.

NOTE The error message "NOT AVAILABLE" may appear if you press a button for a function that is not available.



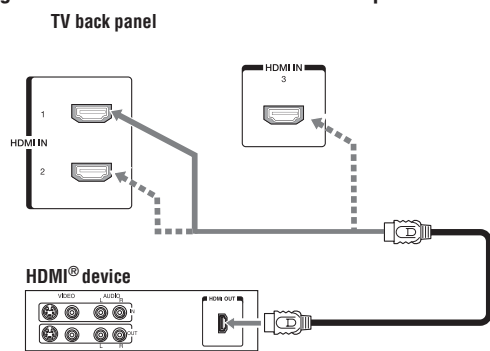
(Sample Illustration) Remote control overview

Item:	Description:	Function:
1	POWER button	Turns the TV On and Off. When the TV is off, the power LED indicator on the front of the TV glows red.
2	PIC SIZE button	Cycles through the picture sizes, see the "Selecting the picture size" section in the User's Guide.
3	PIC MODE button	Selects the picture mode, see the "Selecting the picture mode" section in the User's Guide.
4	INPUT button	Selects the video input source, see the "Selecting the video input source" section in the User's Guide.
5	SLEEP button	Accesses the sleep timer, see the "Setting the sleep timer" section in the User's Guide.
6	CC button	Accesses closed captions, see the "Using closed captions" section in the User's Guide.
7	Channel Number buttons (0-9)	Directly tunes channels. The Dash 100 allows you to enter two part channel numbers, see the "Storing channels in memory (optional)" section, or to edit the Favorites List, see the "Favorites browser" section in the User's Guide.
8	CH RTN button	Returns to the last viewed channel or source, see the "Switching between two channels using Channel Return" section in the User's Guide.
9	MUTE button	Reduces or turns off the sound, see the "Muting the sound" section in the User's Guide.
10	CH (▲/▼) buttons	Cycles through programmed channels.
11	HOME button	Launches the applications bar.
12	NETFLIX button	Launches the Netflix® application onscreen.
13	VOL (+/-) buttons	Adjusts the volume level.
14	INFO button	Displays TV status information as well as program details, when available, see the "Displaying TV information" section in the User's Guide.
15	EXIT button	Closes on-screen menus.
16	OK button	Selects the highlighted items on the screen.
17	MENU button	Accesses the main TV menu system. See the "Navigating the menu system" section in the User's Guide.
18	(▲/▼/◀/▶) buttons	Selects or adjusts programming menus when a menu is on-screen.
19	BACK button	Returns to the previous screen.
20-27	Playback buttons	Controls the HDMI® CEC compatible devices. See "Learning about the remote control" section in the User's Guide.

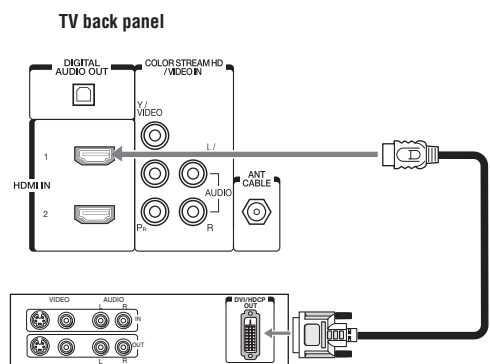
Connecting your TV

For detailed information, see the "Connecting your TV" section in the User's Guide.

Connecting an HDMI® or DVI device to the HDMI® input



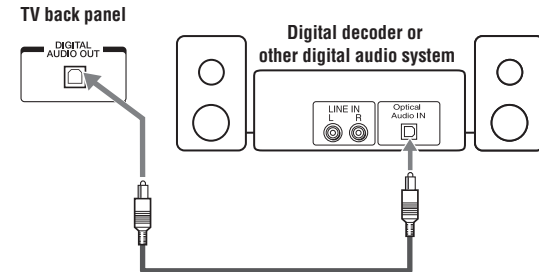
(Sample Illustration) Connecting an HDMI® device



(Sample Illustration) DVI connections

For more information, see the "Connecting an HDMI® or DVI device to the HDMI® input" section in the User's Guide.

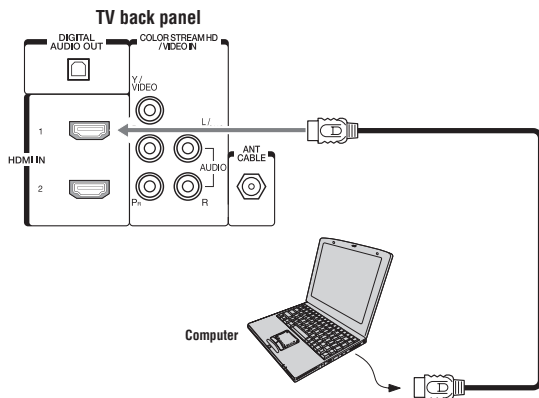
Connecting a digital audio system



(Sample Illustration) Connecting a digital audio system

For more information, see the "Connecting a digital audio system" in the User's Guide.

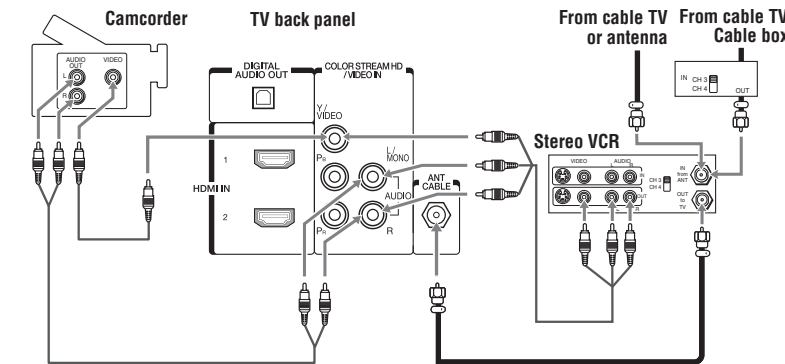
Connecting to a computer using HDMI®



(Sample Illustration) Computer connections

For more information, see the "Connecting a computer" section in the User's Guide.

Connecting a VCR, antenna, cable TV, or camcorder



(Sample Illustration) Connecting to a VCR, antenna, or cable TV or camcorder

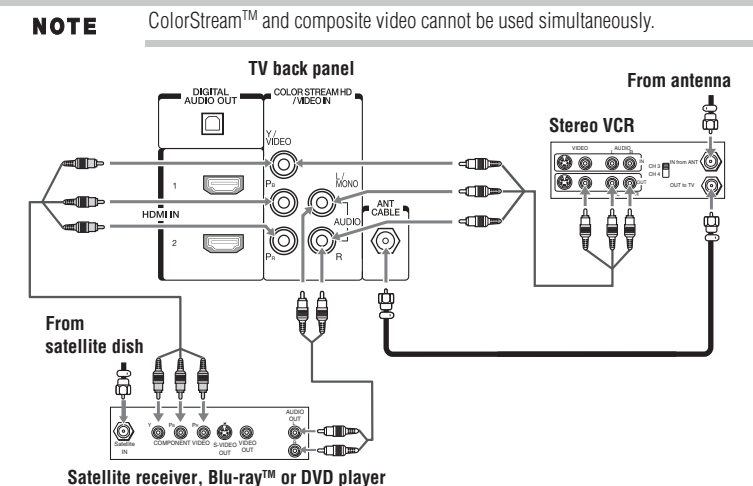
For more information, see the "Connecting a VCR, antenna, cable TV, or camcorder" section in the User's Guide.

NOTE The menu setting may need to be changed in order to watch the shared input between composite and component video. Composite and component video cannot be used simultaneously. Services and features available through your TV may be changed or removed at any time. Services and features depicted or listed here may not be available to you in your region. Not all services may be available in all languages.

Troubleshooting

Refer to the "Troubleshooting" chapter in the online User's Guide. If you are still having trouble you may need to contact Toshiba for additional assistance.

Connecting a Blu-ray™/DVD player, satellite receiver with ColorStream™ or VCR



(Sample Illustration) Connecting a Blu-ray™/DVD player, satellite receiver with ColorStream™ or VCR.

For more information, see the "Connecting a Blu-ray™ / DVD player, satellite receiver with ColorStream™ or VCR" section in the User's Guide.

Toshiba Support

If you require help or are having problems operating your product, visit the Toshiba Support Web site at: L5400U series: support.toshiba.com L5400UC series: www.toshiba.ca/support/ceg

OR For technical support, call the Toshiba Customer Support: For L5400U series (United States model): (800) 631-3811 From Inside the United States; (949) 583-3050 From Outside the United States For L5400UC series (Canada model): 1-800-268-3404 From within Canada

Free Manuals Download Website

<http://myh66.com>

<http://usermanuals.us>

<http://www.somanuals.com>

<http://www.4manuals.cc>

<http://www.manual-lib.com>

<http://www.404manual.com>

<http://www.luxmanual.com>

<http://aubethermostatmanual.com>

Golf course search by state

<http://golfingnear.com>

Email search by domain

<http://emailbydomain.com>

Auto manuals search

<http://auto.somanuals.com>

TV manuals search

<http://tv.somanuals.com>