

Uniden®

UBW2101

**3.5" LCD Portable Wireless
Baby Monitoring System**

If any items are missing or damaged, contact our Customer Care Line immediately. Never use damaged products!
Need Help? Get answers 24/7 at our website: www.uniden.com.

OWNER'S MANUAL

Important Safety Precautions

This manual contains important information about this product's operation. If you are installing this product for others, you must leave this manual or a copy with the end user.

When using your equipment, always follow basic safety precautions to reduce the risk of fire, electric shock and injury to persons, including the following:

- This equipment is NOT waterproof. DO NOT expose it to rain or moisture.
- DO NOT immerse any part of the product in water. Do not use this product near water, e.g., near a bath tub, wash bowl, kitchen sink or laundry tub, in a wet basement or near a swimming pool.
- To avoid any risk of electric shock from lightning, avoid handling any electronic devices (except battery-powered ones) during an electrical storm.
- Use only the power cord and/or batteries indicated in this manual. Never dispose of any batteries in a fire, as they may explode. Check with local codes for possible special disposal instructions.
- Never tug or pull on any power cord; be sure to leave some slack in the cord when placing your equipment, and always use the plug to unplug cord from the wall outlet.
- Never leave power cords where they can become crushed, cut, or frayed; when running power cords, avoid letting them rub against any sharp edges or lie across any high traffic areas where people might trip over them.
- Do not use the device if the adapter cords or plugs have been damaged, the unit has been exposed to liquids, or the unit has been dropped, or is damaged.



Important Safety Precautions (cont'd)

Warnings to Parents and Other Users

Failure to follow these warnings and the assembly instructions could result in serious injury or death. This product is not designed or intended for use as a medical monitor, nor should this product be used as a substitution for medical or parental supervision. Always be sure that both the transmitter and receiver are working properly, and are within range of each other.

- **STRANGULATION HAZARD.** Keep the adapter cords out of the reach of children.
- **WARNING: KEEP OUT OF THE REACH OF CHILDREN.** This product is not a toy and is not intended for use by any children under the age of 13. If you are between the ages of 13 and 18, review these terms, conditions and safety warnings with your parents or guardian to make sure that you and your parent or guardian understand these terms, conditions, and safety warnings.
- Allow for proper ventilation when units are in use. Do not cover the camera or receiver with any object such as a blanket. Do not place it in a drawer or in any location which would muffle the sound or interfere with the normal flow of air.

SAVE THESE INSTRUCTIONS!

For best results:

To avoid damage to your equipment, follow these simple precautions:

- Do not drop, puncture or disassemble any part of the equipment. There are no user-serviceable parts inside.
- Do not expose the equipment to high temperatures, and avoid leaving the equipment in direct sunlight for more than a few minutes. Heat can damage the case or electrical parts.
- Do not place heavy items on top of the equipment or expose the equipment to heavy pressure.
- Remove the power adapter during long periods between usages.
- Clean only with a dry cloth.

Failure to follow the instructions in this operating manual will void the warranty. Uniden assumes no liability for damages to property or injury to persons caused by improper handling or failure to comply with these safety instructions.

Contents

Important Safety Precautions	2
What's in the Box	4
Parts of the Baby Monitoring System	5
Getting Started	6
Step 1. Set-up and Installation	6
Step 2. Basic Operation	7
I. Get to Know the Camera	7
II. Get to Know the LCD Monitor	8
Step 3. Advanced Operation	9
I. Get to Know the Display Icons	9
II. Get to Know the Main Menu	10
System Setup - Time Setting/Factory Defaults	10
Camera Setup - Turn Camera(s) ON/OFF/Camera Scan Period..	11
Pairing a Camera/Power Save Mode/SD Card Format.....	12
VOX Setting - VOX Sensitivity/Enable VOX Recording	13
Brightness.....	13
Alarm Setup/Event List.....	14
About Digital Wireless Technology	15
Troubleshooting Guide	16
Product Specifications	17
Storage Media Management.....	17
Lithium-Polymer Battery Warning	17
Recycling and Disposal Information.....	17
FCC Compliance Information	18
Part 15 Compliance Statement	18
RF Exposure Information	18
IC Compliance Information	18
Radio Equipment Notice	18
CE Compliance Information	18
One Year Limited Warranty	19

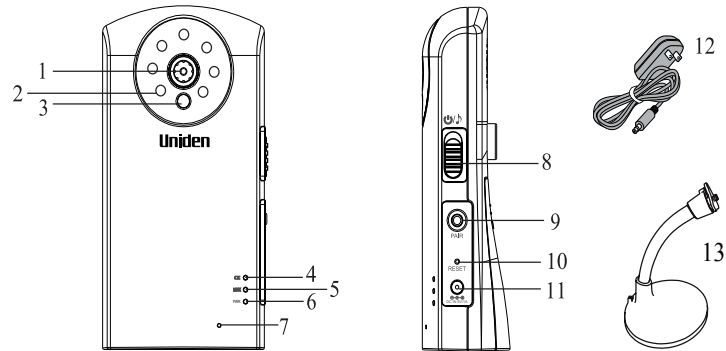
What's in the Box?

- 1 x Digital Wireless Camera
- 1 x 3.5" LCD Digital Wireless Monitor
- 1 x AC Adapter for Camera
- 1 x AC Adapter for Monitor
- 1 x Goose Neck Camera Stand with mount screws
- 1 x Owner's Manual

B If any items are missing or damaged, contact our Customer Care Line immediately!

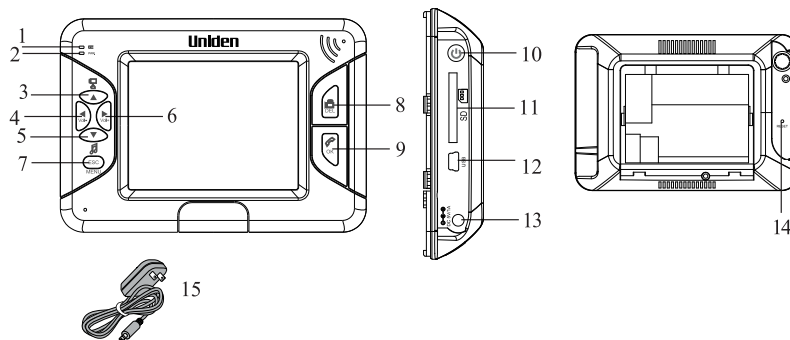
Parts of the Baby Monitoring System

Camera



- | | |
|-----------------------|------------------------------|
| 1. Lens | 7. Power/Lullaby play switch |
| 2. IR (Infrared) LEDs | 8. Pairing Key |
| 3. Light Sensor | 9. Reset |
| 4. Battery Indicator | 10. DC IN Jack |
| 5. Link Indicator | 11. Power Adapter |
| 6. Power Indicator | 12. Goose Neck Mount Stand |

LCD Monitor (Receiver)

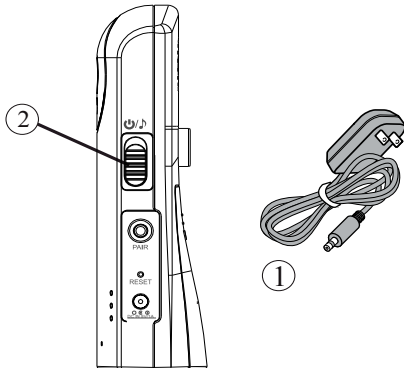


- | | |
|------------------------------------|-----------------------------|
| 1. Battery Indicator | 9. PTT (Push to Talk)/OK |
| 2. Power Indicator | 10. Power button |
| 3. Cursor up/Channel switch | 11. SD card slot |
| 4. Cursor left/Volume down | 12. USB port (reserved use) |
| 5. Cursor down/Lullaby play button | 13. DC IN jack |
| 6. Cursor right/Volume up | 14. Reset |
| 7. Enter/Exit Menu button | 15. Power Adapter |
| 8. Record/Delete | |

Getting Started

Step 1. Connection & Installation

Camera Connection

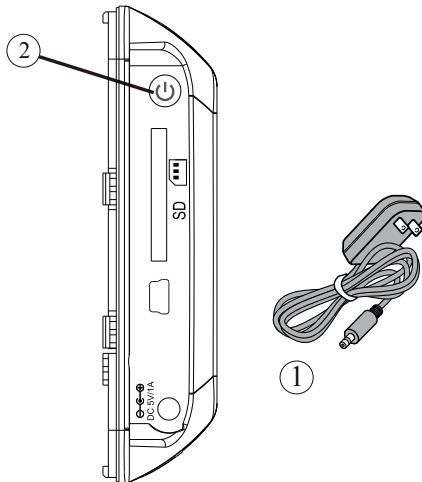


1. Connect the power cable to the camera's DC IN jack, and then plug the power adapter to a standard 120V AC wall outlet.
2. Slide the power switch down once to turn ON the camera.

B The built-in Lithium-Polymer battery charges automatically when the power adapter is connected. Charge the battery to full capacity before using the monitor in portable mode. The battery is at full capacity when the green battery indicator turns off.

B Only use the 5V/1A power adapter provided in the package.

LCD Monitor Connection



1. Connect the power cable to the monitor's DC IN jack and then plug the power adapter to a standard 120V AC wall outlet.
2. Press the power button to turn ON the monitor.

B The built-in Lithium-Polymer battery charges automatically when the power adapter is connected. Charge the battery to full capacity before using the monitor in portable mode.

B In portable mode, charge the battery when the battery indicator lights up red.

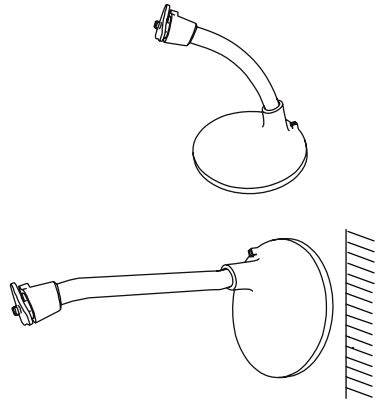
B Only use the 5V/1A power adapter provided in the package.

Getting Started (cont'd)

Installing the Camera on the Goose Neck Mount Stand

Use the goose neck mount stand to install the camera at an appropriate angle in a semi-permanent (desktop mount option) or permanent (wall mount option) location.

B Ensure the install location is within range of a standard 120 V AC wall outlet.

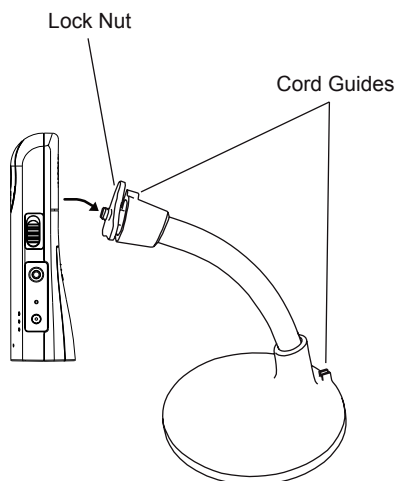


Desktop mount option

1. Select the position for the camera and secure the camera stand.

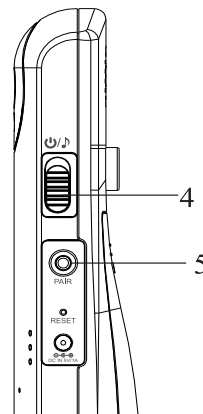
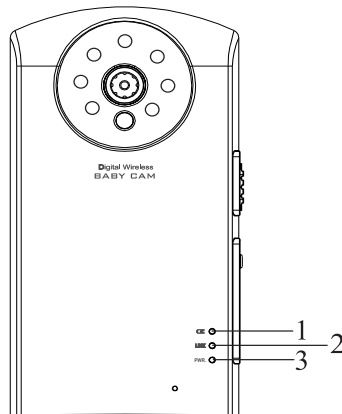
Wall mount option

1. Select the position for the mount stand and mark out the mount holes. The two wall screws should be spaced 1-5/8 in. (40mm) apart. Screws and anchors are supplied, but if necessary, use an appropriate screw type for the mounting surface.
2. Mount the camera onto the bracket, but do not tighten.
3. Adjust the camera to the proper view angle. Make sure the lens is upright relative to your subject, then tighten the lock nut to secure the camera.
4. Connect the AC adapter, and route the cord along the guides in the stand.
5. At the LCD monitor, adjust the antenna to an upright position.



Step 2: Basic Operation

I. Get to Know The Camera



Step 2: Basic Operation (cont'd)

1) Battery Indicator

Green LED: Battery charging; charge battery until green LED turns off.

Red LED: Battery low (portable mode); camera will turn off within 3 minutes. Connect the power adapter for charging or continuous use.

LED off: Battery fully charged.

2) Link Indicator

Flashing LED: Pairing sequence is in process. See Advanced Operation - Pairing Camera section as a guide.

Blue LED: Camera is picked up by the LCD monitor.

LED OFF: Camera is in stand-by mode.

3) Power Indicator

LED turns ON when camera is powered ON.

4) Power / Lullaby Play Switch

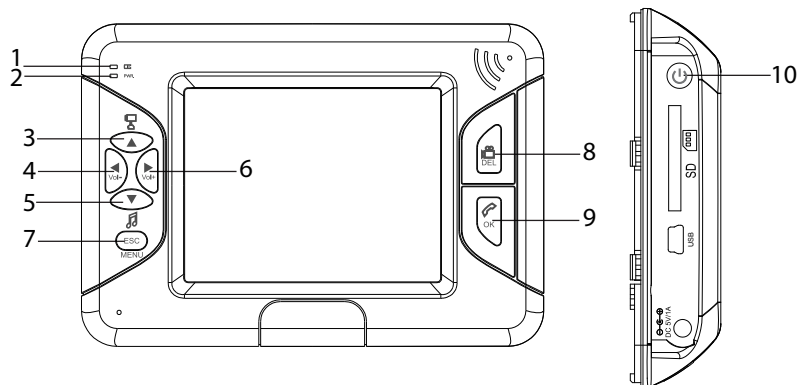
Slide down once to power ON the camera. To power OFF, slide down and hold the switch for 2 seconds, until the power indicator turns off. After power on; slide down to turn on the lullaby play of the camera, slide & hold ~2-3 seconds to turn off.

5) Link Button

Press to pair the camera with the LCD monitor.

See Advanced Operation - Pairing Camera.

II. Get to Know the LCD Monitor



1) Battery Indicator

Green LED: Battery charging; charge the battery until the green LED turns off.

Red LED: Battery low (portable mode); monitor will turn off within 3 minutes. Connect the power adapter for charging or continuous use.

LED off: Battery fully charged.

2) Power Indicator

LED turns ON when monitor is powered ON.

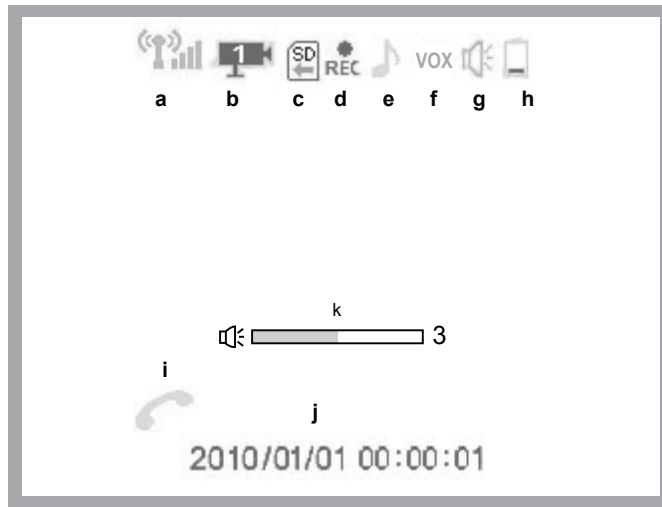
B LED remains ON while LCD display is OFF in Power Save mode.

	Standard View Mode	Menu Mode	Quad View Mode
3)	View Next Camera (CH1-4)	Cursor Up	Hot Key CH 1
4)	Volume Down	Cursor Left	Hot Key CH 2
5)	Lullaby Play Switch	Cursor Down	Hot Key CH 3
6)	Volume Up	Cursor Right	Hot Key CH 4
7)	Enter Menu Mode	ESC (back)	
8)	Manual Record	Delete Record File	
9)	Push to Talk	OK (confirm)	
10)	Power Button		

Press to turn power ON, press and hold for 2 seconds to turn power OFF.

Step 3: Advanced Operation

I. Get to Know the Display Icons



- | | | | | | |
|----|--|-----------------------------|----|--|--|
| a. | | Signal Indicator | f. | | VOX ON |
| b. | | Current Channel Indicator | g. | | VOX Alarm ON |
| c. | | SD Card | h. | | Battery Low Indicator (Cam) |
| | | - available | i. | | Push to talk Indicator |
| | | - locked | j. | | System Time |
| | | - full (flashing) | k. | | Volume Bar |
| | | - error (flashing) | | | |
| d. | | Record indicator (flashing) | | | B Volume bar is green when camera lullaby volume is adjusted. |
| e. | | Lullaby Play Indicator | | | B Volume bar is blue when monitor volume is adjusted. |
| | | Lullaby Mute Indicator | | | |

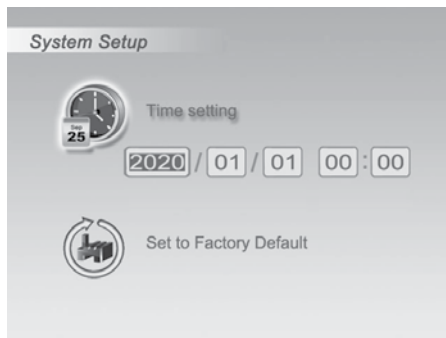
Advanced Operation (cont'd)

II. Get to Know the Main Menu



1. Press **MENU** in standard view mode to display the main menu (the example shows the menu with the Brightness option highlighted).
2. Use **▲ / ▼ / ◀ / ▶** to highlight a menu option. ◀ Press **OK** to enter the setting menu.
3. Use **▲ / ▼** to select a setting if necessary.
4. Press **ESC** to go back or exit the menu.

System Setup - Time Setting



Set the date and time used for Event List recording.

1. Use **▲ / ▼ / ◀ / ▶** to highlight a menu option.
2. Press **OK** to save.

System Setup - Set to Factory Default

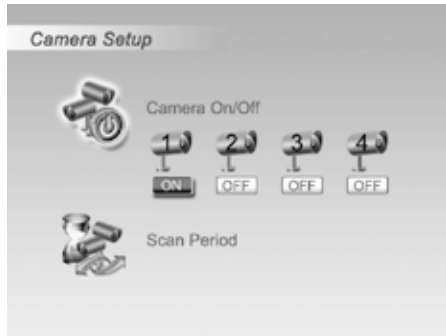


1. Use **▲ / ▼ / ◀ / ▶** to highlight a menu option.
2. Press **OK** to save.

Advanced Operation (cont'd)

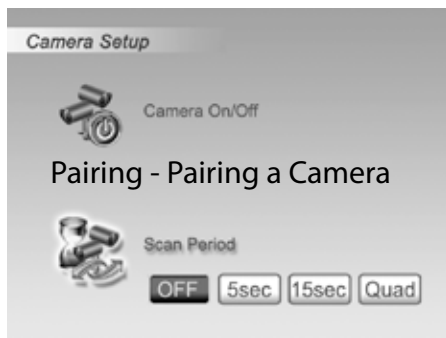
II. Get to Know the Main Menu

Camera Setup - Turn Camera(s) On/Off



1. Use ◀ / ▶ to select the camera you want to turn off.
 2. Press **OK** to change ON/OFF status.
- B** Make sure available cameras are set to **ON** for **SCAN** or **Quad** mode.

Camera Setup - Camera Scan Period



1. Use ◀ / ▶ to change Scan Time interval from OFF/5 sec/15 sec/Quad.
 2. Press **OK** to confirm the settings.
- B** To leave **Quad display**, simply press **directional keys** to enter **single channel view**.

▲ = CAM1; ▼ = CAM2;

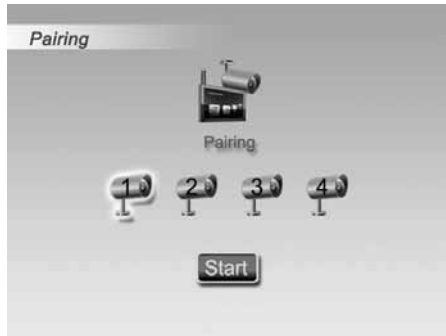
◀ = CAM3; ▶ = CAM4;

- B** When the system enters into power save mode from Quad, press any key to resume monitor view.

Advanced Operation (cont'd)

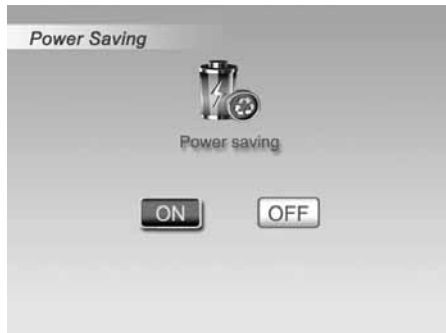
II. Get to Know the Main Menu (cont'd)

Pairing - Pairing a Camera



1. Use ◀ / ▶ to select a channel.
2. Press **OK** to start system countdown from 60 seconds.
3. Within the 60 second countdown, press **PAIR** at the camera side. The camera signal will display when pairing is complete.

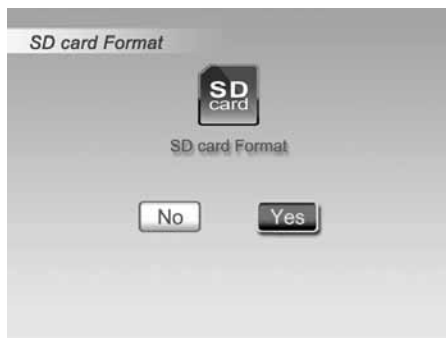
Power Saving - Power Saving



Use ◀ / ▶ to turn Power Saving mode ON/OFF. If VOX is turned on, the receiver and camera will come out of Power Save mode when sound is detected according to the set sensitivity level. This means at night, the monitor LCD will be off, but will automatically turn on when a noise is detected.

- B** By setting Power Saving mode ON, both receiver and camera will enter standby mode after 2-minute idle time, and speaker volume will be muted. Press the power key of the receiver to resume monitoring, and camera key to enter single channel view.

SD Card Format - SD Card Format



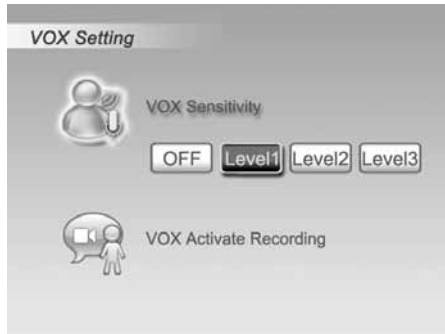
Use ◀ / ▶ to select No or Yes.

- B** For first time use, it is strongly recommended to format the SD card.

Advanced Operation (cont'd)

II. Get to Know the Main Menu (cont'd)

VOX Setting - VOX Sensitivity (VOX is voice activation)



Use ◀ / ▶ to adjust the VOX sensitivity level.

Level 1 - low sensitivity.

Level 3 - high sensitivity.

B At OFF setting, the VOX function is disabled.

VOX Setting - Enable VOX Recording



When set to ON, the system will auto record for 30 seconds when the camera is triggered by voice.

B Please set VOX sensitivity to level 1~3 to enable use of this function.

Brightness - Brightness

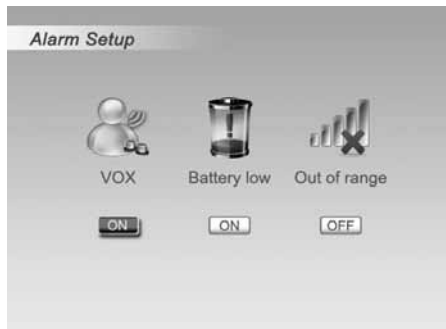


Press **OK** to enter the camera brightness adjustment bar; press ◀ / ▶ to adjust the brightness of the current channel.

Advanced Operation (cont'd)

II. Get to Know the Main Menu (cont'd)

Alarm Setup - Alarm Setup



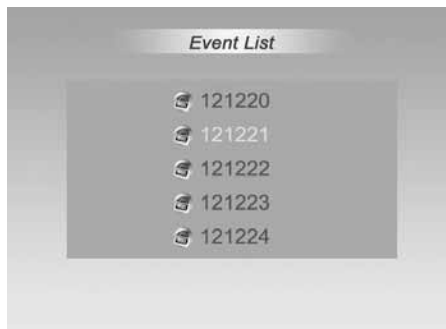
1. Use ◀ / ▶ to move between the items.
2. Press **OK** to shift to ON/OFF.

VOX alarm ON: The monitor will give an alarm for 15 seconds when the camera is triggered by voice.

Battery low alarm ON: The monitor will give an alarm for 15 seconds when the camera battery is low.

Out of range alarm ON: The monitor will give an alarm for 15 seconds when the monitor and camera(s) are out of wireless transmitting range.

Event List - Event List



Playback Mode

1. Press **OK** to enter the Record folder.
2. Press **OK** again to Play/Pause a file.
3. Press ◀ to fast forward the video clip.
4. Press ▶ to rewind the videoclip.
5. Press **ESC** to Stop/Exit.

Managing the Event List

1. Use ◀ / ▶ to select the record file you want to delete.
 2. Press **DEL** to enter delete mode.
 3. Use ◀ / ▶ to select Yes or No.
 4. Press **OK** to delete.
- B Recording files will be saved every 30 seconds if recording time exceeds 30 seconds.**

Recording folder format is year, month, day. Example: 120123 = 2012 Jan 23.
Individually recorded file format is in a 24 hour format, hour, minutes, seconds.
Example: 161308_1 = 4:13:08 pm, camera #1.

About Digital Wireless Technology

This section offers some helpful information to overcome most problems you may encounter.

Problem Diagnosis

About 2.4GHz Digital Wireless Signal

This innovative digital wireless solution integrates advanced Frequency Hopping Spread Spectrum (FHSS) technology. This technology greatly reduces the interference that comes from other devices using the same radio frequency (2.4GHz), e.g. WIFI, Bluetooth, cordless phone...etc. You can now experience improved wireless surveillance quality without flicker and noisy images.

However, weaker signals (lag or still image) may be observed from time to time, depending on the environment where the system is installed. Complies with FCC part 15.247, ETSI (EN) 300 328; audio/video signals transmitted out up to about 500 foot (150 meters) line of sight can be supported. Line of sight installation though, is usually not a common practice. Factors affecting the transmission include microwave ovens or other high frequency electromagnetic waves. Reinforced concrete walls, large scale metal products, and metal furniture should not be located near the camera or the monitor unit. Do not place near water. Person walking by may cause unstable signal quality.

How to improve the wireless signal quality

If possible, remove obstacles in between the camera or the monitor that might reflect the signal. These could include furniture, cabinets, etc. If you feel the wireless signal is not good enough, place the monitor at a new angle, readjust its position to make an improvement, or simply move the camera closer to the monitor.

Why Image Compression?

In order to provide a private and interference free wireless service, this digital wireless solution works on a 2MB narrow hopping band. Different from traditional 2.4GHz analog signal, this digital wireless signal is compressed and presented as Motion JPEG (MJPEG) format. By digitizing and compressing the raw analog data, the bandwidth is used more efficiently and securely. Consequently, you might observe an indent image line if the signal is viewed on a larger display monitor or plasma TV.

Troubleshooting Guide

If you have any trouble with your baby monitor, check this section first. If you need help, visit the customer support page of our website listed on the front cover.

Problems	Possible Causes	Remedies
System message shows "NO Signal"	No power supply to camera (Battery low)	Check power adapter and power cable connection, or battery has run out.
	Camera is not paired with receiver	See pairing operation for detail.
	Service out of range	Move the camera closer to the monitor.
	Signal being blocked	If possible, remove major obstacles in between the camera and monitor, or relocate the camera to a different location.
Low signal or unstable signal	Antenna directional limitation	Adjust camera and monitor position.
	Signal being blocked	If possible, remove major obstacles in between the camera and monitor, or relocate the camera to a different location.
	Strong radio signal nearby	Keep WiFi router away from the camera and/or monitor.
	Strong electromagnetic interference nearby	Keep working motors (hair dryer/ electric heater/air conditioner/water pump) or microwave oven away from the camera and/or monitor.
Recording does not work	No SD card	Insert SD card into SD card slot.
	SD card locked	Unlock the SD card.
Black screen & buttons are not functioning	Power save mode on	Press the power key to resume receiving the image. Please refer to Power Saving section on page 12 for details.
Audio feedback	Camera and receiver are too close	The camera has a high sensitivity microphone. Keep the camera at least 10 feet away from the receiver. If the camera must be within 10 feet of the receiver, keep the volume down.
VOX Record & Alarm do not work	VOX Menu set to "OFF"	Set VOX Sensitivity/VOX Alarm/VOX Record to ON.

Product Specification

	Camera Unit	Monitor Unit
Maximum Channels	4	
Communication Range	500 feet (300 m) in open space	
Resolution	320 x 240 (QVGA)	
Operating Temperature	-10°C (+14°F) ~ +40°C (+104°F)	
Operation Voltage	DC 5V / 1A	DC 5V / 1A
Current Consumption	680 mA (max)	680 mA (max)
Night Vision	10 feet (3 m)	
Dimensions	2.4 in (60mm) (W) 4.6 in. (116mm) (H) 1.3 in (32mm) (D)	5.1 in (130mm) (W) 3.5 in (90mm) (H) 1.1 in (27mm) (D)

Storage Media Management

SD Card Capacity	Recording Time
1 GB	130 minutes
2 GB	170 minutes
8 GB	1050 minutes
16 GB	2100 minutes

Lithium-Polymer Battery Warning

- The receiver contains a non-removeable rechargeable Lithium-Polymer battery.
- Do not try to charge the battery in temperatures below 0° C (32° F) or higher than 45° C (113° F).
- Dispose of this equipment according to the instructions.
- Do not open the receiver or mutilate the battery.
- The rechargeable battery contained in this receiver may explode if disposed of in a fire.
- Do not short-circuit the battery.
- Do not charge the rechargeable battery with any AC adapter other than the one provided. Using another adapter may damage the battery or cause the battery to explode.

B Rechargeable batteries must be recycled or disposed of properly.

Recycling and Disposal Information

- Do not dispose of electronic devices or any of their components (especially batteries and LCD displays) in your municipal trash collection.
- Consult your local waste management authority or a recycling organization like Earth911.com to find an electronics recycling facility in your area.
- If you are unable to locate proper recycling facilities in your area, please return this product to Uniden for recycling.

FCC Compliance Information

Part 15 Compliance Statement

This device complies with Part 15 of the FCC Rules. Operation is subjected to the following two conditions: (1) this device may not cause harmful interference, and (2) this device must accept any interference received, including interference that may cause undesired operation.

This equipment has been tested and found to comply with limits for a Class B digital device, pursuant to Part 15 of the FCC rules and ETSI (EN) 300328. These limits are designed to provide reasonable protection against harmful interference in residential installations. This equipment generates, uses, and can radiate radio frequency energy, and if not installed and used in accordance with the instructions, may cause harmful interference to radio communications.

However, there is no guarantee that interference will not occur in a particular installation. If this equipment does cause interference to radio or television equipment reception, which can be determined by turning the equipment off and on, the user is encouraged to try to correct the interference by one or more of the following measures:

- Reorient or relocate the receiving antenna.
- Move the equipment away from the receiver.
- Plug the equipment into an outlet on a circuit different from that to which the receiver is connected.
- Consult the dealer or an experienced radio/television technician for additional suggestions.

CAUTION! Any changes or modifications to this equipment not expressly approved by the party responsible for compliance could void your authority to operate the equipment.

RF Exposure Information

The antenna used for this transmitter must be installed to provide a separation distance of at least 20 cm (7.9") from all persons and must not be collocated or operating in conjunction with any other antenna or transmitter.

IC Compliance Information

Radio Equipment Notice

The term "IC:" before the radio certification number only signifies that Industry Canada technical specifications were met. Operation is subject to the following two conditions: (1) this device may not cause interference, and (2) this device must accept any interference, including interference that may cause undesired operation of the device. "Privacy of communications may not be ensured when using this device".

CE Compliance Information

Products with CE Marking comply with EMC Directive (2004/108/EC); low voltage Directive (73/23/EEC); R&TTE(1999/5/EC) issued by the Commission of the European Community. Compliance with these directives implies conformity to the following European Norms:

- EMC: EN 301 489
- LVD: EN 60950
- Radio: EN 300 328

One Year Limited Warranty

Important: Evidence of original purchase is required for warranty service.

WARRANTOR: UNIDEN AMERICA CORPORATION ("Uniden").

ELEMENTS OF WARRANTY: Uniden warrants, for one year, to the original retail owner, this Uniden Product to be free from defects in materials & craftsmanship with only the limitations or exclusions set out below.

WARRANTY DURATION: This warranty to the original user shall terminate & be of no further effect 12 months after the date of original retail sale. The warranty is invalid if the Product is (A) damaged or not maintained as reasonable or necessary, (B) modified, altered, or used as part of any conversion kits, subassemblies, or any configurations not sold by Uniden, (C) improperly installed, (D) serviced or repaired by someone other than an authorized Uniden service center for a defect or malfunction covered by this warranty, (E) used in any conjunction with equipment or parts or as part of any system not manufactured by Uniden, or (F) installed or programmed by anyone other than as detailed by the owner's manual for this product.

STATEMENT OF REMEDY: In the event that the product does not conform to this warranty at any time while this warranty is in effect, warrantor will either, at its option, repair or replace the defective unit & return it to you without charge for parts, service, or any other cost (except shipping & handling) incurred by warrantor or its representatives in connection with the performance of this warranty. Warrantor, at its option, may replace the unit with a new or refurbished unit.

THE LIMITED WARRANTY SET FORTH ABOVE IS THE SOLE & ENTIRE WARRANTY PERTAINING TO THE PRODUCT & IS IN LIEU OF & EXCLUDES ALL OTHER WARRANTIES OF ANY NATURE WHATSOEVER, WHETHER EXPRESS, IMPLIED OR ARISING BY OPERATION OF LAW, INCLUDING, BUT NOT LIMITED TO ANY IMPLIED WARRANTIES OF MERCHANTABILITY OR FITNESS FOR A PARTICULAR PURPOSE. THIS WARRANTY DOES NOT COVER OR PROVIDE FOR THE REIMBURSEMENT OR PAYMENT OF INCIDENTAL OR CONSEQUENTIAL DAMAGES. Some states do not allow this exclusion or limitation of incidental or consequential damages so the above limitation or exclusion may not apply to you.

LEGAL REMEDIES: This warranty gives you specific legal rights, & you may also have other rights which vary from state to state. This warranty is void outside the United States of America & Canada.

PROCEDURE FOR OBTAINING PERFORMANCE OF WARRANTY: If, after following the instructions in the owner's manual you are certain that the Product is defective, pack the Product carefully (preferably in its original packaging). The Product should include all parts & accessories originally packaged with the Product. Include evidence of original purchase & a note describing the defect that has caused you to return it. The Product should be shipped freight prepaid, by traceable means, to warrantor at:

Uniden America Service
4700 Amon Carter Blvd.
Fort Worth, TX 76155
1-800-658-8068
1-817-858-2900

Uniden[®]

© 2012 Uniden America Corporation
Printed in China.

Free Manuals Download Website

<http://myh66.com>

<http://usermanuals.us>

<http://www.somanuals.com>

<http://www.4manuals.cc>

<http://www.manual-lib.com>

<http://www.404manual.com>

<http://www.luxmanual.com>

<http://aubethermostatmanual.com>

Golf course search by state

<http://golfingnear.com>

Email search by domain

<http://emailbydomain.com>

Auto manuals search

<http://auto.somanuals.com>

TV manuals search

<http://tv.somanuals.com>