

AUDIOVOX®
ELECTRONICS CORP.





**USER MANUAL / MANUAL DEL USUARIO /
GUIDE D'UTILISATEUR**

CE208BT

Portable Bluetooth Speaker System / Sistema de Altavoz Bluetooth

Portátil / Système de haut parleur Bluetooth portatif

Important Safety Instructions

 <p>THE LIGHTNING FLASH AND ARROWHEAD WITHIN THE TRIANGLE IS A WARNING SIGN ALERTING YOU OF "DANGEROUS VOLTAGE" INSIDE THE PRODUCT.</p>	CAUTION RISK OF ELECTRIC SHOCK DO NOT OPEN CAUTION: TO REDUCE THE RISK OF ELECTRIC SHOCK, DO NOT REMOVE COVER (OR BACK). NO USER-SERVICEABLE PARTS INSIDE. REFER SERVICING TO QUALIFIED SERVICE PERSONNEL.	 <p>THE EXCLAMATION POINT WITHIN THE TRIANGLE IS A WARNING SIGN ALERTING YOU OF IMPORTANT INSTRUCTIONS ACCOMPANYING THE PRODUCT.</p>
SEE MARKING ON BOTTOM / BACK OF PRODUCT		

WARNING: TO PREVENT FIRE OR ELECTRICAL SHOCK HAZARD, DO NOT EXPOSE THIS PRODUCT TO RAIN OR MOISTURE.

1. Read these instructions.
2. Keep these instructions.
3. Heed all warnings.
4. Follow all instructions.
5. Do not use this apparatus near water.
6. Clean only with a damp cloth.
7. Do not block any of the ventilation openings. Install in accordance with the manufacturer's instructions.
8. Do not install near any heat sources such as radiators, heat registers, stoves, or other apparatus including amplifiers that produce heat.
9. Do not defeat the safety purpose of the polarized-type plug. A polarized plug has two blades with one wider than the other. The wide blade is provided for your safety. When the provided plug does not fit into your outlet, consult an electrician for replacement of the obsolete outlet.
10. Protect the power cord from being walked on or pinched particularly at plug, convenience receptacles, and the point where they exit from the apparatus.
11. Only use attachments/accessories specified by the manufacturer.
12. Unplug this apparatus during lightning storms or when unused for long periods of time.
13. Refer all servicing to qualified service personal. Servicing is required when the apparatus has been damaged in any way, such as when the power-supply cord or plug is damaged, liquid has been spilled or objects have fallen into the apparatus, the apparatus has been exposed to rain or moisture, does not operate normally, or has been dropped.
14. Use only with a cart, stand, tripod, bracket, or table specified by the manufacturer or sold with the apparatus. When a cart is used, use caution when moving the cart/apparatus combination to avoid injury from tip-over.
15. The apparatus shall not be exposed to dripping or splashing and that no



objects filled with liquids, such as vases, shall be placed on the apparatus.

16. The MAINS plug is used as the disconnect device and shall remain readily operable.

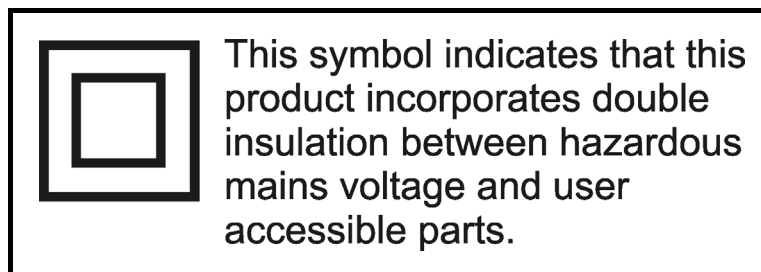
17. Always leave sufficient space around the product for ventilation. Do not place product in or on a bed, rug, in a bookcase or cabinet that may prevent air flow through vent openings.

18. Do not place lighted candles, cigarettes, cigars, etc. on the product.

19. Care should be taken so that objects do not fall into the product.

20. The MAINS plug is used as the disconnect device and shall remain readily operable.

21. Where there is more than one connection supplying HAZARDOUS VOLTAGES or HAZARDOUS ENERGY LEVELS to equipment, a prominent marking, located close to the entry point provided for a SERVICE PERSON to gain access to the hazardous parts, shall be provided to indicate which disconnect device or devices isolate the equipment completely and which disconnect devices can be used to isolate each section of the equipment.



WARNING:

THE MANUFACTURER IS NOT RESPONSIBLE FOR ANY RADIO OR TV INTERFERENCE CAUSED BY UNAUTHORIZED MODIFICATIONS TO THIS EQUIPMENT. SUCH MODIFICATIONS COULD VOID THE USER'S AUTHORITY TO OPERATE THIS EQUIPMENT.

NOTE: The speaker incorporates a magnetically shielded design that can be used in close proximity to most monitors. However, when placed within 6-8 inches of some CRT monitors, the speaker may cause color distortion. To correct the problem, turn off and unplug the monitor and relocate the speaker farther away from the monitor. Wait for 15 minutes and then turn the monitor back on. Most computer monitors have a degauss option in their setup menu. When available, you can use the degaussing function to restore normal color display.

COMPLIANCE WITH FCC REGULATIONS: This device complies with Part 15 of the FCC Rules. Operation is subject to the following two conditions:

(1) this device may not cause harmful interference, and (2) this device must accept any interference received, including interference that may cause undesired operation.

NOTE: This equipment has been tested and found to comply with the limits for a Class B digital device, pursuant to Part 15 of the FCC Rules. These limits are designed to provide

reasonable protection against harmful interference in a residential installation. This equipment generates, uses and can radiate radio frequency energy and, if not installed and used in accordance with the instructions, may cause harmful interference to radio communications. However, there is no guarantee that interference will not occur in a particular installation. If this equipment does cause harmful interference to radio or television reception, which can be determined by turning the equipment off and on, the user is encouraged to try to correct the interference by one or more of the following measures:

- Reorient or relocate the receiving antenna.
- Increase the separation between the equipment and receiver.
- Connect the equipment into an outlet on a circuit different from that to which the receiver is connected.
- Consult the dealer or an experienced radio/TV technician for help.

IMPORTANT BATTERY PRECAUTIONS:

- Any battery may present a risk of fire, explosion, or chemical burn if abused. Do not try to charge a battery that is not intended to be recharged, do not incinerate, and do not puncture.
- Non-rechargeable batteries, such as alkaline batteries, may leak if left in your product for a long period of time. Remove the batteries from the product if you are not going to use it for a month or more.
- If your product uses more than one battery, do not mix types and make sure they are inserted correctly. Mixing types or inserting incorrectly may cause them to leak.
- Discard any leaky or deformed battery immediately. They may cause skin burns or other personal injury.
- Please help to protect the environment by recycling or disposing of batteries according to federal, state, and local regulations.

Package Contents

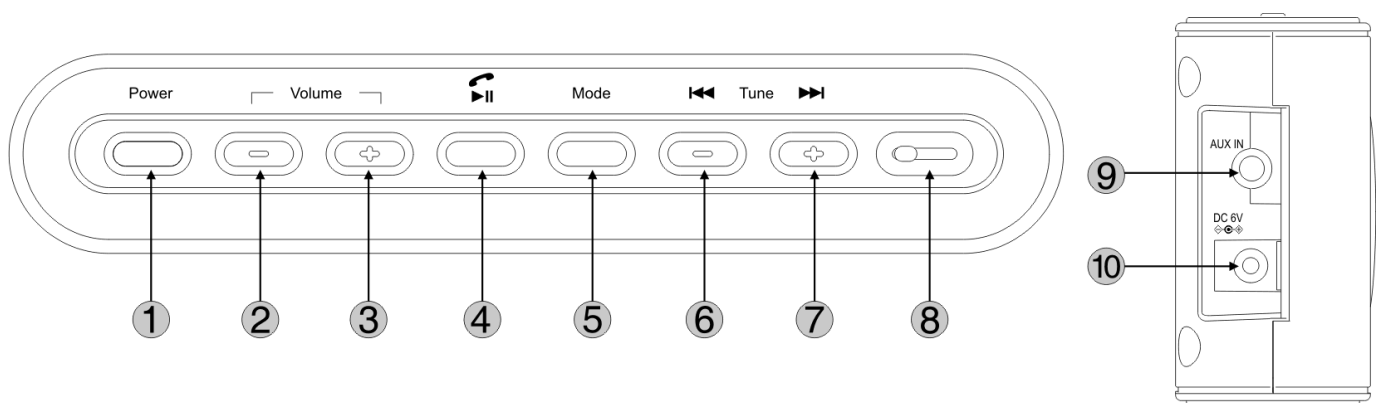
- Bluetooth Speaker System x 1
- AAA-size Alkaline Battery x 4
- Power Adaptor (6V 1A) x 1
- Leather Case x 1
- User Manual x 1
- Product Registration Card x 1
- 90 days Limited Warranty Card x 1
- Music Download Card x 1

Product Features

1. CE208BT is a portable Bluetooth stereo audio system, with a high quality FM tuner and Auxiliary input for other music sources.
2. CE208BT uses Bluetooth version 2.0 and RF power class 2 and supports the following Bluetooth profiles:
 - A2DP profile for stereo sound playback
 - AVRCP profile for easy music control including play/pause/track backward/track forward
 - HSP/HFP profile for one touch answer speaker phone
3. Under any mode (FM/Bluetooth/Aux In), when the Bluetooth is connected with your phone, CE208BT serves as one-touch-answer speaker phone with high performance microphone and echo cancellation software built in. When you finish the call, it will resume the last operation.
4. CE208BT retains the memory and key of the last connected phone and reconnects to the last phone automatically under the following cases:
 - When powered on, this unit searches for 30 seconds to find the last phone it was connected to. If it does not find the last phone, it will go into a "Sleep" mode.
 - When the CE208BT is connected to a phone and the phone goes out of range, the CE208BT will search for and attempt to re-pair with the phone for 30 seconds.
 - If the CE208BT becomes disconnected from the phone, press the “⏪ ▶ ||” button to initiate an automatic connection with the last phone. If the CE208BT cannot find the phone, it will go into a "Sleep" mode.

The auto reconnection process can be cancelled by pressing and holding the “⏪ ▶ ||” button for 5 seconds to enter “Pairing” mode. The CE208BT will erase the last phone memory and key and will be “discoverable” by a new phone. After the 5-minute Pairing period, the Bluetooth connection goes into “Sleep” mode.
5. CE208BT has different LED light indicators for Bluetooth connection status, FM and Aux In Mode.

Operation

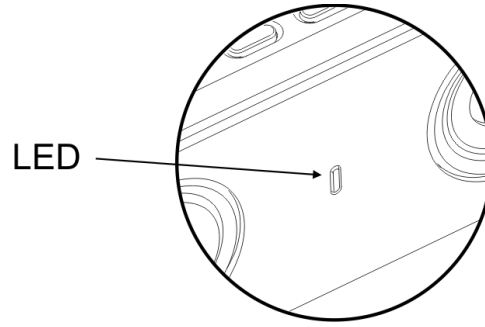


Product Overview

1. **Power:** To turn on/off the power.
2. **Volume +:** To increase the volume level.
3. **Volume -:** To decrease the volume level.
4. **⏸ | ⏪ :**
 - a) Under Bluetooth connection mode, this button provides the following functions:
 - Pause and play the music;
 - Answer and hang up when a phone call comes in.
 - b) Under Bluetooth disconnected mode, this button provides the following function:
 - Enter “Auto Connection” mode, causing the unit to automatically search for the last connected phone for 30 seconds.
 - c) At any time during Bluetooth mode, press and hold this button for 5 seconds to:
 - Enter “Pairing” mode for 5 minutes, allowing the unit to pair to a different device.
5. **Mode:** Change the audio source (FM/Bluetooth/Aux In).
6. **⏪:** Under Bluetooth mode, skip to previous track; under Radio mode, press once for incremental tuning or press and hold to seek FM station backward.
7. **⏩:** Under Bluetooth connection mode, skip to next track; under Radio mode, press once for incremental tuning or press and hold to automatically seek next FM station.
8. Microphone
9. **Aux in:** Connect with a 3.5mm audio cable.
10. **DC 6V:** Connect with the power supply.

LED Light Indicators

1. Green: FM Mode
2. Blue: Bluetooth Mode
3. Amber: AUX IN Mode

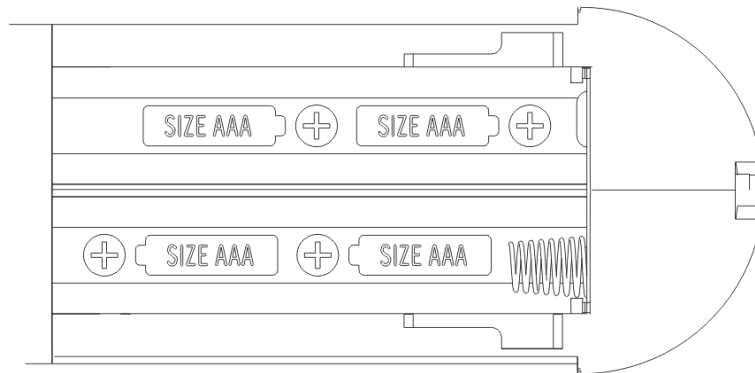


Below is the LED Light Condition Chart:

MODE	Bluetooth Mode				FM Mode	AUX In
CONDITION	Sleeping	Pairing	Connected	Auto Connect		
Blue Light	Slow Flash	Quick Flash	ON	Short Flash	Based on BT Connection Status	
Green Light	X	X	X	X	ON	X
Amber Light	X	X	X	X	X	ON
Light Flashing Condition	Slow Flash one time every 4 seconds	Quick Flash 4 times every 1 second		Short Flash 1 time every 1 second	Quick Flash power-on bootup process	

General Setup

1. Insert 4 AAA-size batteries into the battery compartment and re-install the battery cover; or, plug power adaptor into jack marked 6VDC in and plug adaptor into a wall outlet.



2. Press the **Power** button. The LED indicator will blink a green light for 5-10 seconds during the bootup process. The LED indicator will turn solid green for default FM Radio mode when initialization is complete. Each press of the Mode button switches to another source: FM > Bluetooth > Aux In.

FM Radio Mode

1. Press the **Mode** button on the unit to select FM mode (green light on).
2. To tune to a station, press the **TUNE +/-** buttons on the unit. The unit will automatically scan for stations and the LED green light will flash. The green flashing light will stop once a station is received.
3. To adjust the volume, press **VOL+/-** buttons on the unit.
4. When your phone receives a call and is connected to the CE208BT, press the “**⏏ ▶ ||**” button to answer the call. When the call ends, the unit will resume FM mode.
5. To power the unit off, press **Power** button.

Bluetooth Mode

1. Press the Mode button on the unit to Bluetooth mode with blue light on and Press and hold for 5 seconds “**⏏ ▶ ||**” button to enter the “Pairing” mode.
2. Activate your device’s Bluetooth search mode. The device may be one of the following: (1) a mobile phone, PDA, Notebook or other device that supports the standard Bluetooth A2DP profile; or (2) a PC, MP3 player, iPod or other device with an external Bluetooth adapter (Bluetooth Dongle or Bluetooth Transmitter).

Note: Please refer to the Bluetooth user manual for how to pair and search the Bluetooth device of the music source.

3. After pairing or searching succeeds, you will hear a confirmation sound from the unit and the paired Bluetooth device will display successful connection to the "CE208BT-XXXXXX" speaker, showing the serial numbers.
4. When asked to enter a password during Bluetooth pairing, enter "0000", the default password for the CE208BT. The device name is CE208BT-XXXXXX.
5. If pairing or searching fails, turn the unit off and then on again and repeat Steps 1 - 4.
6. To pause and play music, press the “**⏏ ▶ ||**” button on the unit.
7. To go to the Next or Previous track, press the **▶▶** or **◀◀** button on the unit.

Note: Your Bluetooth device must have a Bluetooth transmitter, supporting AVRCP profile for the features in steps 6-7 to function. Not all devices support these functions. Please refer to the manual that came with your Bluetooth device for more details.

8. To adjust the volume, press the **VOL+** and **VOL-** buttons on the unit.
9. When the mobile phone receives an incoming call during Bluetooth connected status and the unit is playing music, the music will stop automatically. Press the “**⏏ ▶ ||**” button to answer the call. The unit will resume music playback when the call is finished.
10. To power off the unit, press the **Power** button.

AUX In Mode

1. Connect a 3.5mm audio cable (not included) with your audio device, such as CD or MP3 player.
2. Press the **Mode** button to choose AUX mode on the unit (amber light on).
3. To adjust the volume, press the **VOL+/-** buttons on the unit. You may also need to adjust the volume on the connected audio device.
4. When the mobile phone receives an incoming call during Bluetooth connected status and the unit is playing music from your AUX device, the music will stop automatically. Press the “**⏏** ▶ **⏏**” button to answer the call. The unit will resume AUX mode when the call is finished.
5. To power off the unit, press the **Power** button.

Specifications

1. Average Output Power (R.M.S): 4W (2W x 2)
2. Speakers: 35 mm Full Range Drivers
3. Frequency Response: 120Hz ~ 20kHz (-10dB)
4. Power Input: DC 6V/1A Power Adaptor or AAA-size Alkaline Battery x 4
5. Magnetically Shielded: YES
6. Dimensions (W x H x D): 7.5” x 2.8” x 1.5” (190 x 72 x 36 mm)
7. Operating Range: Up to 10m without interference
8. Bluetooth Specification: Bluetooth SIG 2.0 A2DP, AVRCP and HSP/HFP

Instrucciones Importantes de Seguridad



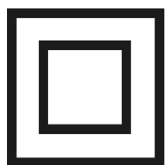
ADVERTENCIA: PARA PREVENIR FUEGO O SHOCK ELÉCTRICO, NO EXPONGA EL PRODUCTO A LLUVIA O HUMEDAD.

1. Lea estas instrucciones.
2. Guarde estas instrucciones.
3. Haga caso a todas las advertencias.
4. Siga todas las instrucciones.
5. No utilice este aparato cerca del agua.
6. Límpielo solo con una tela seca.
7. No bloquee ninguna abertura de ventilación. Instale de acuerdo a las instrucciones del fabricante.
8. No realice la instalación cerca de ninguna fuente de calor tal como radiadores, calefactores, estufas u otros aparatos incluyendo amplificadores que produzcan calor.
9. No elimine el propósito de seguridad de los enchufes de tipo polarizado. Un enchufe polarizado tiene dos hojas, una más ancha que la otra. La hoja ancha se provee para su seguridad. Cuando el enchufe provisto no encaja en la toma, consulte con un electricista para reemplazar esa toma obsoleta.
10. Proteja el cable de energía eléctrica de pisotones o pinchaduras, particularmente en la zona del enchufe, de los receptáculos y en el punto donde sale del aparato.
11. Solamente utilice accesorios u objetos especificados por el fabricante.
12. Desenchufe este aparato durante tormentas eléctricas o cuando no se lo utilice por períodos prolongados.
13. Llame por cualquier arreglo al personal capacitado del servicio. El servicio es necesario cuando el aparato ha sido dañado en cualquier forma, por ejemplo cuando el cable de energía o el enchufe está dañado, cuando han derramado líquido o han tirado objetos sobre el aparato, cuando el mismo ha sido expuesto a lluvia o humedad, cuando no opera normalmente o cuando se ha caído.

14. Use solamente con un carro, pie, trípode, soporte o mesa especificada por el fabricante, o vendida con el aparato. Cuando use un carro, tenga cuidado al mover la combinación del carro y el aparato para evitar daños por la inclinación.



15. El aparato no debe estar expuesto a goteos o salpicaduras, y objetos llenos de líquidos tal como vasos, no deben ser colocados sobre el aparato.
16. El enchufe MAINS se usa como el dispositivo de desconexión y deberá permanecer listo para operar.
17. Siempre deje suficiente espacio para ventilación alrededor del producto. No ponga el producto en la cama, alfombra, librero o gabinete que pueda obstruir la corriente de aire a través de aberturas de ventilación.
18. No pongan velas, cigarrillos o cigarrillos encendidos encima de producto.
19. Tome precauciones para evitar que caigan objetos dentro del producto.
20. El enchufe MAINS es usado para desconectar el dispositivo y debe permanecer fácilmente operable.
21. Donde hay más de una conexión que suministra VOLTAJES PELIGROSOS o NIVELES de ENERGÍA PELIGROSOS al equipo, proporcionarán una marca prominente, situada cerca del punto de entrada proporcionado para que una PERSONA del SERVICIO acceda a las piezas peligrosas, para indicar cuál aísla el dispositivo o los dispositivos de la desconexión el equipo totalmente y qué dispositivos de la desconexión se pueden utilizar para aislar cada sección del equipo.



Este símbolo indica que este producto incorpora el aislamiento doble entre las peligrosas voltaje y las piezas accesibles del usuario.

ADVERTENCIA:

EL FABRICANTE NO ES RESPONSABLE DE NINGUNA INTERFERENCIA DE RADIO O TV CAUSADA POR MODIFICACIONES NO AUTORIZADAS A ESTE EQUIPO. TALES MODIFICACIONES PUEDEN VACIAR LA AUTORIDAD DEL USUARIO PARA OPERAR ESTE EQUIPO.

NOTA: El altavoz incorpora un diseño protegido magnéticamente que se puede usar en proximidad con la mayoría de los monitores. Sin embargo, cuando se colocan dentro de 6 a 8 pulgadas de algunos monitores CRT, el altavoz puede causar distorsión de color. Para corregir el problema, apague y desenchufe el monitor y reubique el altavoz más lejos del monitor. Espere 15 minutos y luego encienda nuevamente el monitor. La mayoría de los monitores de computadora tienen una opción de desmagnetización en su menú de configuración. Cuando está disponible, usted puede usar la función de desmagnetización para restablecer un color normal en la pantalla.

DE ACUERDO A LAS REGULACIONES DE LA FCC (COMISIÓN FEDERAL DE COMUNICACIONES)
Este dispositivo cumple con la Parte 15 de las Reglas de la FCC. La operación está sujeta a las siguientes dos condiciones:

(1) este dispositivo puede no causar interferencia dañina, y (2) este dispositivo debe aceptar cualquier interferencia recibida, incluyendo las que causen operación indeseable.

NOTA: Este equipo ha sido verificado y cumple con los límites de un dispositivo digital Clase B, conforme a la Parte 15 de las Reglas de la Comisión Federal de Comunicaciones de los Estados Unidos (FCC, por sus siglas en inglés). Estos límites están diseñados para proveer protección razonable contra la interferencia dañina en instalaciones residenciales. Este equipo genera, usa y puede irradiar energía de frecuencia de radio, por ello si no se instala y utiliza de acuerdo con las instrucciones, puede causar interferencia dañina a las comunicaciones de radio. Sin embargo, no hay garantía que no ocurrirán interferencias en una instalación en particular. Si este equipo causa interferencias dañinas a la recepción de radio o de televisión, la cual se puede determinar apagando y prendiendo el equipo, el usuario puede intentar corregir la interferencia con una o más de las siguientes medidas:

- Reoriente o reubique la antena receptora.
- Incremente la separación entre el equipo y el receptor.
- Conecte el equipo en una toma de un circuito diferente al cual esté conectado el receptor.
- Consulte al distribuidor o a un técnico de radio o TV por ayuda.

PRECAUCIONES IMPORTANTES PARA LA BATERÍA:

- Cualquier batería puede presentar un riesgo de fuego, explosión o quemadura química si es mal tratada. No trate de cargar una batería que no esté diseñada para ser recargada, no incinere y no perforo.
- Baterías no recargables, tales como las baterías alcalinas, pueden tener fugas si son dejadas en su producto por un largo periodo de tiempo. Retire las baterías del producto si usted no lo va a usar por un mes o más.
- Si su producto usa más de una batería, no mezcle tipos y asegúrese de que estén insertadas correctamente. Mezclar tipos de baterías o insertarlas incorrectamente puede causar que tengan fugas.
- Deseche inmediatamente cualquier batería con fugas o deformada. Ellas pueden causar quemaduras de la piel u otra lesión personal.
- Por favor ayude a proteger el ambiente reciclando o eliminando las baterías de conformidad con las regulaciones federales, estatales y locales.

Contenido del Paquete

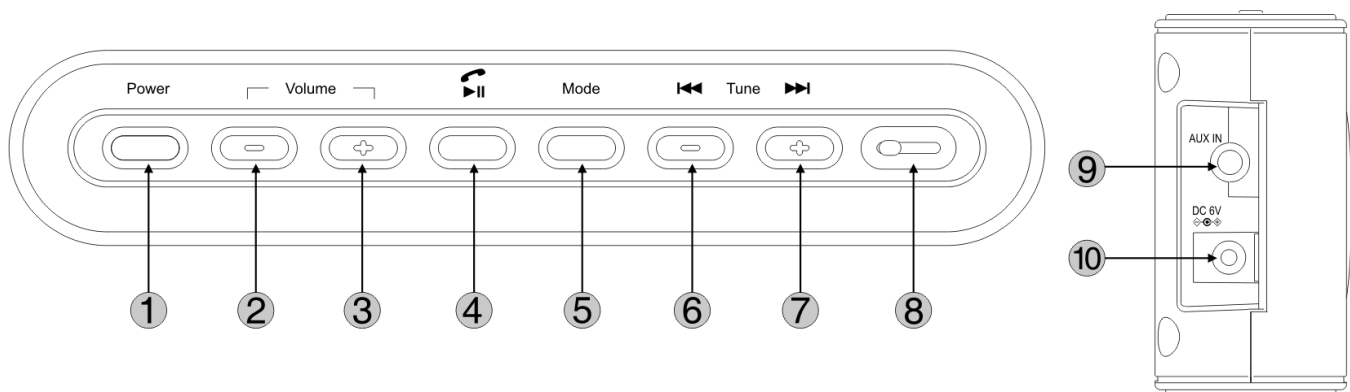
- 1 Sistema de Altavoz de Bluetooth
- 4 Baterías Alcalinas AAA
- 1 Adaptador de Potencia (6V 1A)
- 1 Estuche de Cuero
- 1 Manual del Usuario
- 1 Tarjeta de Registro del Producto
- 1 Tarjeta de Garantía Limitada de 90 días
- 1 Tarjeta para Descargar Música

Características del Producto

1. CE208BT es un sistema de audio estéreo Bluetooth portátil, con radio FM de alta calidad y una entrada Auxiliar para otras fuentes de música.
2. CE208BT usa Bluetooth versión 2.0 y energía RF clase 2 y soporta los siguientes perfiles de Bluetooth:
 - Perfil A2DP para reproducción de sonido estéreo
 - Perfil AVRCP para un control fácil de música incluyendo reproducción/pausa/pista atrás/pista adelante
 - Perfil HSP/HFP para teléfono en altavoz con respuesta de un toque
3. Bajo cualquier modo (FM/Bluetooth/Aux In), cuando el Bluetooth está conectado con su teléfono, el CE208BT sirve como teléfono en altavoz con respuesta de un toque, con micrófono de alto desempeño y programa incorporado de cancelación de eco. Cuando termine el llamado, el mismo reanudará la última operación.
4. CE208BT retiene la memoria y clave del último teléfono conectado y reconecta al último teléfono automáticamente bajo los siguientes casos:
 - Cuando está encendido, esta unidad busca por 30 segundos para encontrar el último teléfono al cual estuvo conectado. Si no encuentra el teléfono pasado, entrará un modo "Sleep".
 - Cuando el CE208BT está conectado a un teléfono y el teléfono sale de rango, el CE208BT buscará e intentará emparejar nuevamente el teléfono por 30 segundos. Si no encuentra el teléfono, entrará un modo "Sleep".
 - Si el CE208BT se desconecta del teléfono, presione el botón "⏏ ▶ ||" para iniciar una conexión automática con el último teléfono.

El proceso de reconexión automático se puede cancelar manteniendo presionado el botón "⏏ ▶ ||" por 5 segundos para entrar al modo "Emparejamiento". El CE208BT borrará la última memoria y clave de teléfono y estará "descubrible" para un nuevo teléfono. Luego de un periodo de Emparejamiento de 5 minutos, la conexión Bluetooth pasa a modo dormido ("Sleep").
5. El CE208BT tiene indicadores de luz LED diferentes para el estado de conexión de modos Bluetooth, FM y Aux In.

Operación

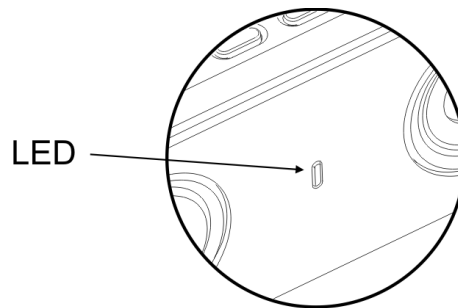


Revisión del Producto

1. **Power:** Para encender/apagar.
2. **Volume +:** Para subir el nivel de volumen.
3. **Volume -:** Para bajar el nivel de volumen.
4. **[Call Icon] :**
 - a) Bajo modo de conexión Bluetooth, este botón provee las siguientes funciones:
 - Pausa y reproducción de música;
 - Responde y cuelga cuando una llamada telefónica entra.
 - d) Bajo modo de desconexión Bluetooth, este botón provee la siguiente función:
 - Entra a modo “Conexión Automática”, causando que la unidad automáticamente busque 30 segundos el último teléfono conectado.
 - e) En cualquier momento durante el modo Bluetooth, mantenga presionado este botón por 5 segundos para:
 - Entrara al modo “Emparejamiento” por 5 minutos, permitiendo emparejar la unidad a un dispositivo diferente.
5. **Mode:** Cambia la fuente de audio (FM/Bluetooth/Aux In).
6. **◀◀:** Bajo modo Bluetooth, salta a la pista anterior; bajo modo Radio, presione para busca estación incremental o la presione y mantenga para busca automáticamente la anterior estación FM.
7. **▶▶:** Bajo modo de conexión Bluetooth, salta a la pista siguiente; bajo modo Radio, presione para busca estación incremental o la presione y mantenga para busca automáticamente la estación FM próxima.
8. **Micrófono**
9. **Aux in:** Conecta con cable de audio de 3.5mm.
10. **DC 6V:** Conecta con cable de energía.

Indicadores de Luz LED

1. Verde: Modo FM
2. Azul: Modo de Bluetooth
3. Ámbar: Modo AUX IN

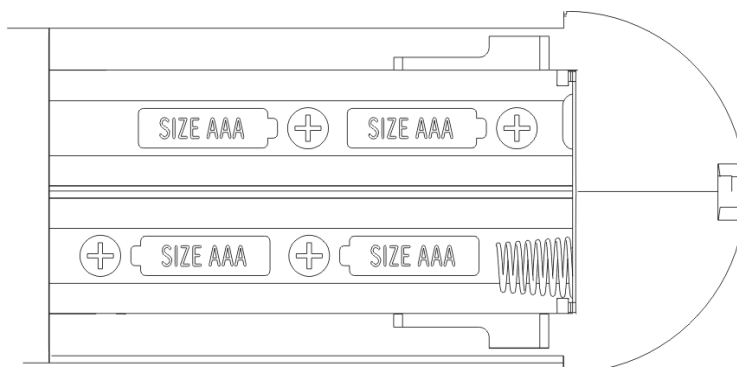


Abajo está la Tabla de Condición de Luz LED:

MODO	Modo de Bluetooth				Modo FM	AUX In
	Durmiendo	Emparejando	Conectado	Conexión Automática		
ESTADO	Durmiendo	Emparejando	Conectado	Conexión Automática		
Luz Azul	Destello Lento	Destello Rápido	ON	Destello Corto	Basado en BT Estado de Conexión	
Luz Verde	X	X	X	X	ON	X
Luz Ámbar	X	X	X	X	X	ON
Condición de Luz Destellante	Destello Lento una vez cada 4 segundos	Destello Rápido 4 veces cada 1 segundo		Destello Corto 1 vez cada 1 segundo	Energía de destello rápida en proceso de inicialización	

Configuración General

1. Inserte 4 baterías AAA en el compartimento de batería y coloque nuevamente la ; o enchufe un adaptador de corriente en la toma marcada con 6VDC y en enchúfelo a la pared.



2. Presione el botón **Power** (Encendido). El indicador del LED centeará una luz verde por 5-10 segundos durante la inicialización. El indicador del LED seguirá siendo verde durante el modo de radio de FM cuando la inicialización es completa. Cada presión en el botón de Modo cambia a otra fuente: FM > Bluetooth > Aux In.

Modo de Radio FM

1. Presione el botón **Mode** en la unidad para seleccionar el modo FM (luz verde encendida).
2. Para sintonizar una estación manual, presione los botones **TUNE +/-** en la unidad. presione y mantenga para automáticamente buscará estaciones. La luz verde del LED destellará durante la exploración y la parada una vez que se recibe una estación.
3. Para ajustar el volumen, presione los botones **VOL+/-** en la unidad.
4. Cuando un teléfono recibe una llamada y está conectado al CE208BT, presione el botón “**⏏**” para responder la llamada. Cuando una llamada termina, la unidad reasumirá el modo FM.
5. Para apagar la unidad, presione el botón **Power**.

Modo de Bluetooth

1. Presione el botón de modo (Mode) en la unidad hasta el modo Bluetooth con la luz azul encendida, y mantenga presionado por 5 segundos el botón “**⏏**” para ingresar a modo de “Emparejamiento”.
2. Active el modo de búsqueda de Bluetooth de su dispositivo. El dispositivo puede ser uno de los siguientes: (1) un teléfono móvil, PDA, Notebook u otro dispositivo que soporta el perfil Bluetooth A2DP estándar; o (2) una PC, reproductor de MP3, iPod u otro dispositivo con un adaptador Bluetooth externo (Llave Bluetooth o Transmisor Bluetooth).

Nota: Por favor, lea el manual de usuario Bluetooth para ver cómo emparejar y buscar el dispositivo Bluetooth de la fuente de música.

3. Luego que el emparejamiento o búsqueda concluye, escuchará un sonido de confirmación de la unidad y el dispositivo Bluetooth emparejado mostrará una conexión exitosa al altavoz "CE208BT-XXXXXX", mostrando el número de serie.
4. Cuando se le pida ingresar una contraseña durante el emparejamiento del Bluetooth, ingrese “0000”, la contraseña por defecto del CE208BT. El nombre del dispositivo es CE208BT-XXXXXX.
5. Si el emparejamiento u búsqueda fallan, apague la unidad y luego enciéndala nuevamente y repita los Pasos 1 al 4.
6. Para detener y reproducir música, presione el botón “**⏏**” en la unidad.
7. Para ir a la pista Próxima o Previa, presione el botón **▶▶** o **◀◀** en la unidad.

Nota: Su dispositivo Bluetooth debe tener un transmisor Bluetooth que soporte un perfil AVRCP para que funcionen las características en los pasos 6 y 7. No todos los dispositivos soportan estas funciones. Por favor, lea el manual que vino con su dispositivo Bluetooth por más detalles.

8. Para ajustar el volumen, presione los botones **VOL+** y **VOL-** en la unidad.
9. Cuando un teléfono móvil recibe una llamada mientras está conectado con Bluetooth y la unidad está reproduciendo música, la música se detendrá automáticamente. Presione el botón “**⏏**” para responder el llamado. La unidad reasumirá la

reproducción de música cuando la llamada finalice.

10. Para apagar la unidad, presione el botón **Power**.


Modo Aux In

1. Conecte un cable de audio de 3.5 mm (no incluido) a su dispositivo de audio, tal como reproductor de CD o MP3.
2. Presione el botón **Mode** para elegir el modo AUX en la unidad (luz ámbar encendida).
3. Para ajustar el volumen, presione los botones **VOL+/-** en la unidad. Usted también puede necesitar ajustar el volumen en el dispositivo de audio conectado.
4. Cuando un teléfono móvil recibe una llamada mientras está conectado con Bluetooth y la unidad está reproduciendo música desde su dispositivo auxiliar, la música se detendrá automáticamente. Presione el botón “⏏ ▶ ||” para responder el llamado. La unidad reanudará el modo auxiliar cuando la llamada finalice.
5. Para apagar la unidad, presione el botón **Power**.

Especificaciones

1. Potencia de Salida Promedio (R.M.S.): 4W (2W x 2)
2. Altavoces: Controlador de Rango Completo de 35 mm
3. Frecuencia de Respuesta: 120 Hz ~ 20K Hz (-10dB)
4. Entrada de Energía: Adaptador de Potencia de 6V DC/1A o 4 Baterías Alcalinas AAA
5. Sellado Magnéticamente: SI
6. Dimensiones (Ancho x Alto x Profundo): 7,5" x 2,8" x 1,5" (190 mm x 72 mm x 36 mm)
7. Rango Operativo: Hasta 10 metros sin interferencia
8. Especificación de Bluetooth: Bluetooth SIG 2.0 A2DP, AVRCP y HSP/HFP

Instructions de sécurité importante

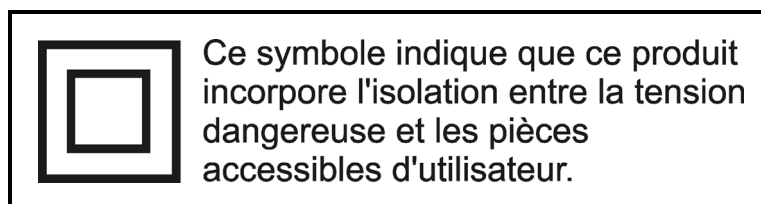
 <p>L'éclair et flèche à l'intérieur d'un triangle est un avertissement contre un "voltage dangereux" à l'intérieur de l'appareil.</p>	AVERTISSEMENT Risque de choc électrique Ne pas ouvrir <p>Avertissement: Pour diminuer le risque de choc électrique n'enlevez pas le couvercle (ou panneau arrière). Il n'y a aucune pièce que vous pouvez réviser à l'intérieur. Pour révision de l'appareil, veuillez vous référer à un agent de service qualifié.</p>	 <p>Le point d'exclamation à l'intérieur du triangle est un avertissement portant votre attention à des instructions importantes qui accompagnent le produit.</p>
VOIR INDICATIONS SUR LE REVERS/PANNEAU ARRIÈRE DU PRODUIT		

AVERTISSEMENT: AFIN DE PRÉVENIR INCENDI OU DANGER DE CHOC ÉLECTRIQUE, N'EXPOSEZ PAS CE PRODUIT À LA PLUIE OU À L'HUMIDITÉ.

1. Lisez ces instructions.
2. Gardez ces instructions.
3. Faites attention à tous les avertissements.
4. Suivez toutes les instructions.
5. N'utilisez pas cet appareil près de l'eau.
6. Nettoyez qu'avec un tissu moite.
7. Ne bloquez pas des ouvertures de ventilation. Installez en conformité avec les instructions de fabricant.
8. N'installez pas près des sources de chaleur telles que des radiateurs, des registres de chaleur, des réchauds ou tout autre appareil qui comprend des amplificateurs qui produisent de la chaleur.
9. Ne défaites pas le but de sécurité de la prise du type polarize. Une prise polarisée a deux rasoirs, l'un plus large que l'autre. Le rasoir le plus large est fourni pour votre sécurité. Lorsque la prise fournie ne va pas avec votre sortie, consultez un électricien pour remplacement de votre sortie démodée.
10. Protégez la corde d'alimentation à ce que les gens ne marchent pas dessus ou ne soit pas pincée particulièrement à la prise, récepteurs de commodité et le point où elle quitte l'appareil.
11. N'utilisez que des attachements/accessories spécifiés par le fabricant.
12. Débranchez cet appareil pendant des orages avec éclairs ou lorsqu'il n'est pas utilisé pendant de périodes longues.
13. Référez tout l'entretien à un personnel de service qualifié.
14. L'entretien est nécessaire lorsque l'appareil est endommagé de quelque façon que ce

soit, telle que lorsque la corde d'alimentation ou la prise est endommagée, de la liquide a été versée ou des objets sont tombés dans l'appareil, l'appareil a été exposé à la pluie ou à l'humidité, ne fonctionne pas normalement, ou est tombé.

15. N'utilisez qu'avec un chariot, pied, trépieds, équerre ou table spécifiés par le fabricant ou vendu avec l'appareil. Lorsqu'une carte est utilisée soyez prudent lorsque vous déplacez le chariot/combo d'appareil pour éviter une blessure résultant d'un accident.
16. L'appareil ne sera pas exposé aux objets dégoulinants ou éclaboussants et qu'aucun objet rempli de liquides, telles que des vases ne sera posé sur l'appareil.
17. Toujours laisser suffisamment d'espace autour de l'appareil pour assurer la ventilation. Ne pas placer l'appareil sur un lit, un tapis ou sur un étagère ou dans un meuble qui pourrait bloquer les ouvertures de ventilation.
18. Ne pas placer de chandelles, de cigarettes, de cigares, etc, sur l'appareil.
19. Prendre garde que des objets ne tombent pas dans l'appareil.
20. La prise PRINCIPALE est utilisée comme un engin de débranchement et sera opérable à tout moment.
21. Là où il y a plus d'un raccordement fournissant des TENSIONS DANGEREUSES ou des FORCES DANGEREUSES à l'équipement, une inscription en avant, située près du point d'entrée donné pour une PERSONNE de SERVICE pour accéder aux pièces dangereuses, sera fournie pour indiquer ce que le dispositif ou les dispositifs de débranchement isolent l'équipement complètement et quels dispositifs de débranchement peuvent être utilisés pour isoler chaque section de l'équipement.



AVERTISSEMENT :

LE FABRICANT N'EST PAS RESPONSABLE POUR DES INTERFERENCES RADIO OU TV CAUSEES PAR DES MODIFICATIONS NON-AUTORISEES A CET EQUIPEMENT. DE TELLES MODIFICATIONS PEUVENT ANNULER L'AUTORITE DE L'UTILISATEUR D'OPERER CET EQUIPEMENT.

A NOTER : Le haut parleur incorpore une conception protégée à aimants qui peut être utilisée près de la plupart des moniteurs. Cependant, lorsqu'il est placé dans 6 à 8 pouces de certains moniteurs CRT, le haut parleur peut causer des distorsions des couleurs. Pour corriger ce problème, mettez l'appareil en arrêt et débranchez le moniteur et resituez le haut parleur plus loin du moniteur. Attendez pour 15 minutes et puis mettez le moniteur en marche. La plupart des moniteurs d'ordinateur ont une option degauss dans leur menu de configuration. Lorsqu'il est disponible, vous pouvez utiliser la fonction de dégaussage pour rétablir l'affichage des couleurs normal.

CONFORMITE AVEC DES REGLEMENTS FCC :

Cet engine est en conformité avec la partie 15 des règlements FCC. L'opération est soumise

aux deux conditions suivantes :

(1) cet engine ne cause pas des interférences nuisibles et (2) cet engine doit accepter toute interférence reçue, y compris de l'interférence qui peut causer une opération non-désirée.

A NOTER : Cet équipement a été éprouvé et trouvé en conformité avec les limites pour un engine digital de Classe B, suivant la partie 15 des règlements FCC. Ces limites sont conçues pour fournir une protection raisonnable contre de l'interférence nuisible dans une installation résidentielle. Cet équipement engendre, utilise et peut irradier de l'énergie de la fréquence radio et, s'il n'est pas utilisé en conformité avec les instructions, peut causer des interférences nuisibles aux communications radio. Cependant, il n'y a aucune garantie que l'interférence n'aura pas lieu dans une installation particulière. Si l'équipement cause des interférences nuisibles à la réception radio ou télévision, ce qui peut être déterminé en mettant l'équipement en marche et en arrêt, l'utilisateur est encouragé à corriger ces interférences par l'un des moyens suivants :

- Réorientez ou repositionnez l'antenne de réception.
- Augmenter la séparation entre l'équipement et le récepteur.
- Branchez l'équipement à une sortie sur un circuit différent de celui auquel le récepteur est branché.
- Consultez le concessionnaire ou un technicien de radio/TV expérimenté pour aide.

PRÉCAUTIONS IMPORTANTES CONCERNANT LA PILE :

- Toute pile peut présenter un risque d'incendie, d'explosion ou de brûlure chimique si elle n'est pas manipulée avec soin. N'essayez pas de recharger une pile qui n'est pas conçue pour être rechargée; n'essayez pas de l'incinérer ou de la percer.
- Les piles non rechargeables, comme les piles alcalines, peuvent couler si elles sont laissées dans votre appareil pendant une longue période. Retirez les piles de l'appareil si vous ne l'utilisez pas pendant plus d'un mois.
- Si votre appareil utilise plus d'une pile, ne mélangez pas les types de pile et assurez-vous qu'elles sont installées correctement. Si différents types de piles sont mélangés ou si elles sont installées incorrectement, elles pourraient couler.
- Jetez immédiatement les piles déformées ou qui coulent. Les piles qui coulent peuvent causer des brûlures et d'autres blessures.
- Aidez à protéger l'environnement en recyclant ou en disposant des piles selon les réglementations fédérales, provinciales et locales.

Contenu du Paquet

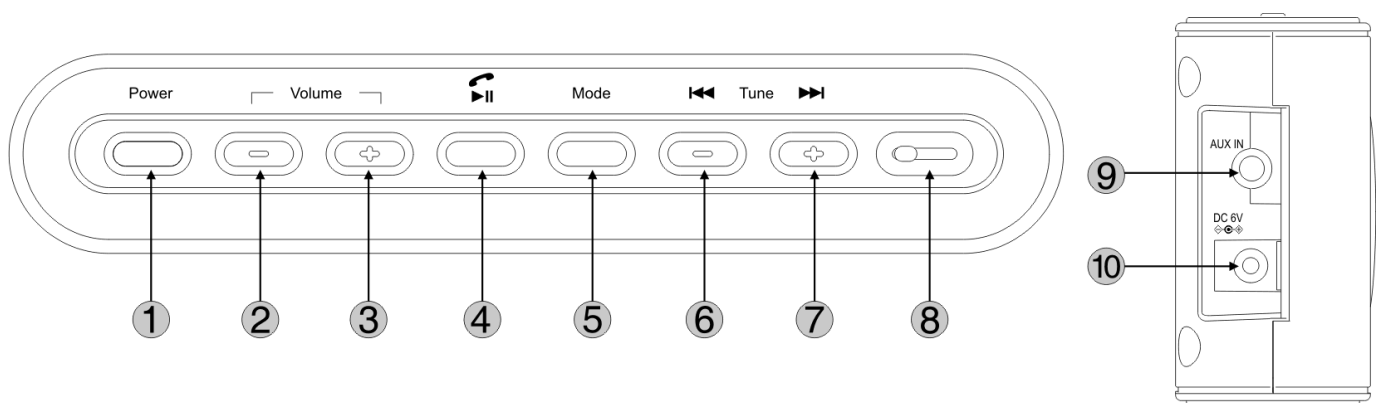
- Système de hauts parleurs Bluetooth x 1
- AAA Pile Alcaline x 4
- Adaptateur de puissance (6V 1A) x 1
- Etui en cuir x 1
- Guide d'utilisateur x 1
- Carte d'enregistrement du produit x 1
- Carte de garantie limitée pour 90 jours x 1
- Carte de téléchargement de la musique x 1

Fonctions du produit

1. CE208BT est un système audio stéréo Bluetooth portable, avec un tuner FM de haute qualité et une Entrée Auxiliaire pour d'autres sources de musique.
2. CE208BT se sert d'une version Bluetooth 2.0 et d'une puissance radioélectrique classe 2 et soutient les profils Bluetooth suivants:
 - Profil A2DP pour reproduction stéréo.
 - Profil AVRCP pour un contrôle de musique facile y compris reproduction/pause/piste à l'arrière/piste à l'avant.
 - Profil HSP/HFP pour une réponse poste téléphonique à haut parleur à touche unique.
3. Sous n'importe quelle mode (FM/Bluetooth/Aux In) lorsque le Bluetooth est branché à votre téléphone, le CE208BT sert d'une poste téléphonique à haut parleur à touché unique avec une microphone à haute performance et un logiciel d'annulation d'écho encastré. Lorsque vous terminez l'appel il reprendra la dernière opération.
4. CE208BT retient la mémoire et la clé du téléphone dernièrement branchée et rebranche automatiquement au dernier téléphone dans les cas suivants:
 - Lorsqu'il est mis en marche, cet appareil cherche pendant 30 secondes le dernier téléphone à laquelle il était branché. S'il ne trouve pas le dernier téléphone, il entrera dans la mode « Sleep ».
 - Lorsque le CE208BT est branché à un téléphone et le téléphone se trouve hors de portée, le CE208BT cherchera et tentera de réappairier avec le téléphone pendant 30 secondes. S'il ne trouve pas le téléphone, il entrera dans la mode « Sleep ».
 - Si le CE208BT deviant débranché du téléphone, appuyez sur le bouton « **⏏** » pour initier un branchement automatique avec le dernier téléphone.

Le processus de rebranchement automatique peut être annulé en appuyant et maintenant l'appui sur le bouton « **⏏** » pendant 5 secondes pour entrer dans la mode « Pairing ». Le CE208BT effacera la dernière mémoire et la clé téléphoniques et sera découvrable par un nouveau téléphone. Après la période d'appariement à 5 minutes, le branchement Bluetooth entre dans la mode « Sleep ».
5. Le CE208BT a des indicateurs DEL différents pour le statut de branchement Bluetooth, FM, et la mode Aux In.

Operation

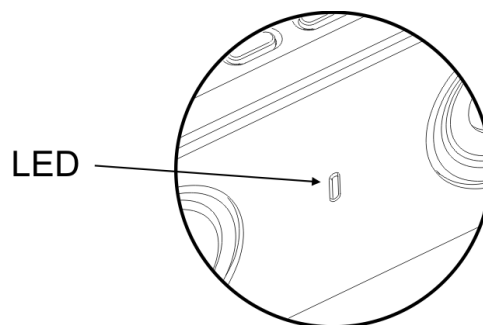


Vue d'ensemble du Produit

1. **Power:** Pour mettre la puissance en marche/en arrêt.
2. **Volume +:** Pour augmenter le niveau de volume.
3. **Volume -:** Pour diminuer le niveau de volume.
4. **[Play/Pause] :**
 - a. Sous la mode de branchement Bluetooth, ce bouton fournit les fonctions suivantes:
 - Faire pause dans et jouer la musique;
 - Répondre à et terminer l'appel entrant.
 - b. Sous la mode de débranchement Bluetooth, ce bouton fournit les fonctions suivantes :
 - Entrez la mode « Auto Connection » qui fait que l'appareil cherche automatiquement le dernier téléphone branché pendant 30 secondes.
 - c. A n 'importe quel moment sous la mode Bluetooth, appuyez et maintenez l'appui sur ce bouton pendant 5 secondes pour:
 - Entrer dans la mode « Pairing » pendant 5 minutes, permettant à l'appareil d'apparier à un engine different.
5. **Mode:** Changez de source audio (FM/Bluetooth/Aux In).
6. **⏮:** Sous la mode Bluetooth, sautez à une piste précédente; sous la mode Radio appuyez pour chercher la prochaine incremental o appuyez et maintenez l'appui pour cherchez automatiquement la prochaine station FM à l'arrière.
7. **⏭:** Sous la mode de branchement Bluetooth, sauter à la piste prochaine; sous la mode Radio appuyez pour chercher la prochaine incremental o appuyez et maintenez l'appui pour cherchez automatiquement une station FM.
8. Microphone
9. **Aux in:** Branchez avec un câble 3. 5mm.
10. **DC 6V:** Branchez à l'alimentation.

Indicateurs lumière DEL

1. Vert: Mode FM
2. Bleu: Mode Bluetooth
3. Ambre: Mode AUX IN

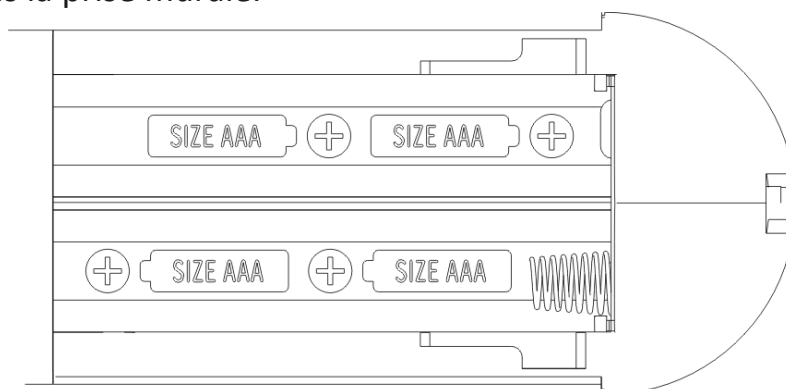


Ci-dessous est la carte de la condition de lumière DEL:

MODE	Mode Bluetooth				FM Mode	AUX In
	Sommeil	Appariment	Branché	Branchement automatique		
CONDITION	Sommeil	Appariment	Branché	Branchement automatique		
Lumière bleue	Clignotement lent	Clignotement rapide	EN MARCHE	Clignotement bref	Fondé sur le statut à Branchement BT	
Lumière Verte	X	X	X	X	EN MARCHE	X
Lumière Ambre	X	X	X	X	X	EN MARCHE
Conditions de lumière clignotante	Clignotement lent une fois toutes les 4 secondes	Clignotement rapide 4 fois chaque seconde		Clignotement bref Une fois par seconde	Puissance instantanée rapide sur le processus d'initialisation	

Configuration Générale

1. Insérez 4 piles AAA dans le compartiment à piles et réinstallez le couvercle de piles; ou bien, branchez l'adaptateur de puissance dans le jack marqué 6 VDC in et branchez l'adaptateur dans la prise murale.



2. Appuyez sur le bouton **Power**. L'indicateur de LED clignotera un feu vert pendant 5-10 secondes pendant l'initialisation. L'indicateur de LED restera vert pendant le mode par radio de FM quand l'initialisation est complète. Chaque fois que vous appuyez sur le bouton mode l'appareil changera de source : FM > Bluetooth > Aux In.

Mode FM Radio

1. Appuyez sur le bouton **Mode** sur l'appareil pour sélectionner la mode FM (lumière verte en marche).
2. Pour syntoniser manuel à une station appuyez sur les boutons **TUNE +/-** sur l'appareil. appuyez et maintenez l'appui pour automatiquement balayer pour des stations. Le feu vert de LED clignotera pendant le balayage et l'arrêt une fois qu'une station est reçue.
3. Pour ajuster le volume, appuyez sur les boutons **VOL+/-** sur l'appareil.
4. Lorsque votre téléphone reçoit un appel et il est branché au CE208BT, appuyez sur le bouton « **⏸** » pour répondre à l'appel. Lorsque l'appel est terminé, l'appareil va retourner à la mode FM.
5. Pour mettre l'appareil en arrêt, appuyez sur le bouton **Power**.

Mode Bluetooth

1. Appuyez sur le bouton Mode sur l'appareil à la mode Bluetooth avec la lumière bleue en marche et appuyez et maintenez l'appui pendant 5 secondes sur le bouton « **⏸** » pour entrer dans la mode « Pairing ».
2. Activez la mode recherche Bluetooth de votre engin. L'engin peut être l'un des suivants
1) un téléphone mobile, PDA, agenda électronique ou tout autre engin qui soutient le profil A2DP standardisé Bluetooth ; 2) un PC, un lecteur MP3, iPod ou tout autre engin avec un adaptateur Bluetooth externe (Bluetooth Dongle ou Bluetooth Transmitter).

A noter: Veuillez vous référer au guide d'utilisateur Bluetooth pour apprendre comment appairier et chercher l'engin Bluetooth de la source musique.

3. Après l'appairiment et la recherche réussis, vous entendrez un son de confirmation de la part de l'appareil et l'engin apparié Bluetooth va afficher branchement réussi au haut parleur « CE208BT-XXXXXX » montrant les numéros de série.
4. Lorsqu'on vous demande d'entrer un mot de passé pendant l'appairiment Bluetooth, entrer 0000, le mot de passé par défaut pour le CE208BT. Le nom de l'engin est CE208BT-XXXXXX.
5. Si l'appairiment ou la recherche ne réussit pas, mettez l'appareil en arrêt et puis en marche et répéter les étapes 1 à 4.
6. Pour faire pause et jouer de la musique, appuyez sur le bouton « **⏸** » sur l'appareil.
7. Pour aller à la piste prochaine ou précédente, appuyez sur les boutons **▶** et **◀** sur l'appareil.

A noter: Votre engine Bluetooth doit avoir un transmetteur Bluetooth soutenant un profil AVRCP pour que les fonctions dans les étapes 6-7 fonctionnent. Veuillez vous référer au guide qui vient avec votre engin Bluetooth pour des détails supplémentaires.

8. Pour ajuster le volume, appuyez sur les boutons **VOL+** et **VOL-** sur l'appareil.
9. Lorsque le téléphone mobile reçoit un appel entrant pendant le statut branché Bluetooth et l'appareil est en train de jouer de la musique, la musique arrêtera automatiquement. Appuyez sur le bouton « **⏸** » pour répondre à l'appel. L'appareil va reprendre la reproduction de la musique lorsque l'appel est terminé.

10. Pour mettre l'appareil en arrêt, appuyez sur le bouton **Power**.

Mode AUX In

1. Branchez un câble audio 3.5mm (non fourni) à votre engine audio tel qu'un lecteur CD ou MP3.
2. Appuyez sur le bouton **Mode** pour choisir la mode AUX sur l'appareil (lumière amber en marche).
3. Pour ajuster le volume, appuyez sur les boutons **VOL+/-** sur l'appareil. Vous pouvez aussi avoir besoin d'ajuster le volume sur l'engin audio branché.
4. Lorsque le téléphone mobile reçoit un appel entrant pendant le statut Bluetooth branché et l'appareil est en train de jouer de la musique depuis votre engine AUX, la musique s'arrêtera automatiquement. Appuyez sur le bouton « **⏸** » pour répondre à l'appel. L'appareil va retourner à la mode AUX lorsque l'appel est terminé.
5. Pour mettre l'appareil en arrêt, appuyez sur le bouton **Power**.

Spécifications

1. Sortie puissance moyenne (R.M.S): 4W (2W x 2)
2. Hauts parleurs : 35 mm pilotes de gamme pleine
3. Réponse en fréquence: 120 Hz ~ 20 kHz (-10dB)
4. Entrée puissance : DC 6V/1A Adaptateur puissance ou pile alcaline AAA X 4.
5. Protégé magnétiquement: OUI
6. Dimensions (W x H x D): 7.5" x 2.8" x 1.5" (190 x 72 x 36 mm)
7. Gamme d'opération: Jusqu'à 10m sans interference
8. Spécification Bluetooth: Bluetooth SIG 2.0 A2DP, AVRCP et HSP/HFP

90 DAY LIMITED WARRANTY

AUDIOVOX ELECTRONICS CORPORATION (the Company) warrants to the original retail purchaser of this product that should this product or any part thereof, under normal use and conditions, be proven defective in material or workmanship within 90 days from the date of original purchase, such defect(s) will be repaired or replaced with new or reconditioned product (at the Company's option) without charge for parts and repair labor. To obtain repair or replacement within the terms of this Warranty, the product is to be delivered with proof of warranty coverage (e.g. dated bill of sale), specification of defect(s), transportation prepaid, to an approved warranty station. For the location of the nearest warranty station to you, call toll-free to our control office: 1-800-645-4994

This Warranty does not extend to the elimination of externally generated static or noise, to correction of antenna problems, to costs incurred for installation, removal, or reinstallation of the product, or damage to tapes, compact discs, speakers, accessories, or electrical systems.

This Warranty does not apply to any product or part thereof which, in the opinion of the Company, has suffered or been damaged through alteration, improper installation, mishandling, misuse, neglect, accident, or by removal or defacement of the factory serial number/bar code label(s).

THE EXTENT OF THE COMPANY'S LIABILITY UNDER THIS WARRANTY IS LIMITED TO THE REPAIR OR REPLACEMENT PROVIDED ABOVE AND, IN NO EVENT, SHALL THE COMPANY'S LIABILITY EXCEED THE PURCHASE PRICE PAID BY PURCHASER FOR THE PRODUCT.

This Warranty is in lieu of all other express warranties or liabilities. ANY IMPLIED WARRANTIES, INCLUDING ANY IMPLIED WARRANTY OF MERCHANTABILITY, SHALL BE LIMITED TO THE DURATION OF THIS WRITTEN WARRANTY. ANY ACTION FOR BREACH OF ANY WARRANTY HEREUNDER INCLUDING ANY IMPLIED WARRANTY OF MERCHANTABILITY MUST BE BROUGHT WITHIN A PERIOD OF 12 MONTHS FROM DATE OF ORIGINAL PURCHASE. IN NO CASE SHALL THE COMPANY BE LIABLE FOR ANY CONSEQUENTIAL OR INCIDENTAL DAMAGES FOR BREACH OF THIS OR ANY OTHER WARRANTY. No person or representative is authorized to assume for the Company any liability other than expressed herein in connection with the sale of this product.

Some states do not allow limitations on how long an implied warranty lasts or the exclusion or limitation of incidental or consequential damage so the above limitations or exclusions may not apply to you. This Warranty gives you specific legal rights and you may also have other rights which vary from state to state.

GARANTÍA LIMITADA DE 90 DÍAS

AUDIOVOX ELECTRONICS CORPORATION (la Compañía) garantiza al comprador original minorista de este producto que si este producto o cualquier parte del mismo (excepto como se detalla abajo) bajo usos y condiciones normales se pruebe defectuoso en material o mano de obra dentro de 1 año de la fecha original de compra, tales defectos serán reemplazados o reparados (a opción de la Compañía) sin cargo por las partes y por la labor de reparación. Para obtener la reparación o reemplazo dentro de los términos de esta garantía, el producto se debe entregar con la prueba de la cobertura de garantía (Ej. factura de compra con fecha), especificación del o de los defectos, transporte prepago a la una sucursal de garantía oficial. Por la ubicación de la estación de garantía más cercana a usted, llame gratis a nuestra oficina de control: 1-800-645-4994

Esta Garantía no se extiende a la eliminación de estática o ruido generado externamente, a la corrección de problemas de antena, a los costos incurridos por instalación, remoción o reinstalación del producto, o al daño a cintas, discos compactos, altavoces, accesorios o sistemas eléctricos.

Esta Garantía no aplica a ningún producto o parte del mismo el cual, en opinión de la Compañía, haya sufrido o sido dañado por alteración, instalación indebida, mal manejo, mal uso, negligencia, accidente o remoción o desfiguración de la etiqueta o etiquetas con el código de barra / el número de serie de fabrica

LA EXTENSIÓN DE LA RESPONSABILIDAD DE LA COMPAÑÍA BAJO ESTA GARANTÍA SE LIMITA A LA REPARACIÓN O REEMPLAZO PROVISTO ARRIBA Y, EN NINGÚN CASO, EXCEDERÁ LA RESPONSABILIDAD DE LA COMPAÑÍA EL PRECIO DE COMPRA PAGADO POR EL COMPRADOR DEL PRODUCTO.

Esta Garantía está en lugar de todas las otras garantías o responsabilidades. CUALQUIER GARANTÍAS IMPLICADAS, INCLUYENDO CUALQUIER GARANTÍA IMPLICADA DE MERCANTIBILIDAD, SERÁ LIMITADA A LA DURACIÓN DE ESTA GARANTÍA ESCRITA. CUALQUIER ACCIÓN POR INCLUMPLIMIENTO DE CUALQUIER GARANTÍA AQUÍ ESPECIFICADA INCLUIDA CUALQUIER GARANTÍA IMPLÍCITA DE MERCANTIBILIDAD DEBE SER LLEVADA A CABO DENTRO DE UN PERIDO DE 12 MESES DESDE LA FECHA DE COMPRA ORIGINAL. IN NINGÚN CASO LA COMPAÑÍA SERÁ RESPONSABLE POR NINGÚN DAÑO CONSECUENTE O FORTUITOS POR INCLUMPLIMIENTO DE ESTA O CUALQUIER OTRA GARANTÍA. No se autoriza a ninguna persona o representante a asumir por parte de la Compañía ninguna responsabilidad diferente a la aquí expresada en conexión con la venta de este producto.

Algunos estados no permiten limitaciones sobre el tiempo de duración de una garantía implícita o de la exclusión o limitación de daños fortuitos o consecuentes, entonces las limitaciones y exclusiones antes mencionadas pueden no aplicarle a usted. Esta Garantía le da derechos legales específicos y usted también puede tener otros derechos que pueden variar de estado en estado.

GARANTIE LIMITEE A 90 JOURS

AUDIOVOX ELECTRONICS CORPORATION (la Société) garantit à l'acheteur en détail d'origine de ce produit qui a été acheté d'un détaillant AR autorisé, que si ce produit ou une partie quelconque de ce produit (aux exceptions faites ici) sous l'utilisation et conditions normales, s'avère défectueux en matériel ou en artisanat dans un an depuis la date d'achat d'origine, de tels défauts seront remplacés ou réparés (à la seule discrétion de la Société) sans charges pour les pièces ou le travail de réparation. Pour obtenir la réparation ou le remplacement dans les termes de cette garantie, le produit doit être livré avec preuve de garantie (facture datée), caractéristiques des défauts, transportation prépayée à une station de garantie approuvée. Pour le site de la station de garantie la plus proche appelez sans frais à notre bureau de contrôle : 1-800-645-4994. Cette garantie ne s'étend pas à l'élimination du bruit et des parasites engendrés à l'extérieur, à la correction des problèmes d'antenne, aux coûts encourus pour l'installation, l'enlèvement ou la réinstallation du produit, ou des endommagements aux cassettes, des disques compacts, des haut parleurs, des accessoires ou des systèmes électriques.

Cette garantie ne s'applique pas à un produit quelconque ou une partie qui dans l'opinion de la Société, a souffert ou a été endommagée par la modification, mauvaise installation, mauvaise manipulation, mauvaise utilisation, négligence, accident, ou par l'enlèvement ou le défigurement du numéro de série/code à barres d'usine.

LA MESURE DE LA RESPONSABILITE DE LA SOCIETE EST LIMITEE A LA REPARATION OU REMPLACEMENT CITES CI-DESSUS ET EN AUCUN CAS LA RESPONSABILITE DE LA SOCIETE N'EXCEDERA LE PRIX D'ACHAT PAYE PAR L'ACHETEUR POUR LE PRODUIT.

Cette garantie tient lieu de toutes les autres garanties et responsabilités. TOUTE GARANTIE IMPLIQUEE, Y COMPRIS TOUTE GARANTIE IMPLIQUEE DE MARCHANDABILITE SERA LIMITEE A LA DUREE DE CETTE GARANTIE ECRITE. TOUT ACTION POUR LA RUPTURE DE LA GARANTIE CI-JOINTE Y COMPRIS TOUTE GARANTIE IMPLIQUEE DE MARCHANDABILITE DOIT ETRE PORTE DANS UNE PERIODE DE 12 MOIS DEPUIS LA DATE D'ACHAT. EN AUCUN CAS LA SOCIETE NE SERA RESPONSABLE POUR DES DOMMAGES ACCESSOIRES ET INDIRECTS POUR LA RUPTURE DE CETTE OU TOUT AUTRE GARANTIE. Personne ou un représentant quelconque n'est autorisé à assumer de la part de la société aucune responsabilité autre que celle exprimée ci-dessus par rapport à la vente de ce produit.

Certains états ne permettent pas de limitations sur la durée d'une garantie impliquée ou l'exclusion de la limitation des dommages accessoires et indirects, de sorte que des limitations et exclusions ci-dessus puissent ne s'appliquer à vous. Cette garantie vous donne des droits légaux spécifiques et vous pouvez avoir d'autres droits qui varient de l'état en état.



AUDIOVOX®
ELECTRONICS CORP.

www.audiovox.com

Free Manuals Download Website

<http://myh66.com>

<http://usermanuals.us>

<http://www.somanuals.com>

<http://www.4manuals.cc>

<http://www.manual-lib.com>

<http://www.404manual.com>

<http://www.luxmanual.com>

<http://aubethermostatmanual.com>

Golf course search by state

<http://golfingnear.com>

Email search by domain

<http://emailbydomain.com>

Auto manuals search

<http://auto.somanuals.com>

TV manuals search

<http://tv.somanuals.com>