

---

# Table of Contents

---

|  |           |
|--|-----------|
| <b>About Your EXP 9100</b> .....                     | <b>4</b>  |
| Unpacking .....                                      | 4         |
| FCC Requirements .....                               | 4         |
| <b>EXP 9100 Features</b> .....                       | <b>5</b>  |
| Automatic Digital Code Security .....                | 5         |
| Auto Channel Scan and Auto Channel Change .....      | 6         |
| Spread Spectrum Technology .....                     | 6         |
| Auto Power Control .....                             | 6         |
| <b>Installing Your EXP 9100</b> .....                | <b>7</b>  |
| Selecting the Installation Location .....            | 7         |
| Connecting the Telephone Line .....                  | 7         |
| Installing the Base Unit on a Desk or Tabletop ..... | 8         |
| Mounting the Base Unit on a Wall .....               | 9         |
| Installing the Battery Pack (BT-9100) .....          | 11        |
| Preparing the Base Unit and Handset .....            | 14        |
| Special Features .....                               | 16        |
| Using Your EXP 9100 Memory .....                     | 17        |
| Using your EXP 9100 Intercom .....                   | 18        |
| Using the EXP 9100 as a Room Monitor .....           | 19        |
| <b>Troubleshooting</b> .....                         | <b>20</b> |
| Important Electrical Considerations .....            | 21        |
| Range .....  | 21        |
| Telephone Line Problems .....                        | 21        |
| Radio Interference .....                             | 21        |
| More Than One Cordless Telephone .....               | 21        |
| <b>Specifications</b> .....                          | <b>22</b> |
| <b>Base Unit Controls &amp; Functions</b> .....      | <b>23</b> |
| <b>Handset Controls &amp; Functions</b> .....        | <b>24</b> |

---

## Important Safety Instructions

---

When using your telephone equipment, basic safety precautions should always be followed to reduce the risk of fire, electrical shock, and injury to persons, including the following:

1. Read and understand all instructions.
2. Follow all warnings and instructions marked on the product.
3. Unplug this product from the wall outlet before cleaning. **Do not** use liquid cleaners or aerosol cleaners. Use a dry cloth for cleaning.
4. **Do not** use this product near water; for example, near a bath tub, wash bowl, kitchen sink or laundry tub, in a wet basement, or near a swimming pool.
5. **Do not** place this product on an unstable cart, stand, or table. The telephone may fall, causing serious damage to the unit.
6. Slots and openings in the cabinet and the back or bottom are provided for ventilation. To protect the product from overheating, these openings must not be blocked or covered. These openings should never be blocked by placing the product on the bed, sofa, rug, or other similar surface. This product should never be placed near or over a radiator or heat register. This product should not be placed in a built-in installation unless proper ventilation is provided.
7. This product should be operated only from the type of power source indicated on the marking label. If you are not sure of the type of power supply to your home, consult your dealer or local power company.
8. **Do not** allow anything to rest on the power cord. Do not locate this product where the cord will be damaged by persons walking on it.
9. **Do not** overload wall outlets and extension cords, as this can result in the risk of fire or electrical shock.
10. Never push objects of any kind into this product through cabinet slots, as they may touch dangerous voltage points or short out parts that could result in a risk of fire or electric shock. Never spill liquid of any kind on the product.
11. To reduce the risk of electric shock, do not assemble this product. Take it to qualified service personnel when some service or repair work is required. Opening or removing covers may expose you to dangerous voltages or other risks. Incorrect reassembly can cause electric shock when the appliance is subsequently used.

12. Unplug this product from the wall outlet and refer servicing to qualified service personnel under the following conditions:
  - A. When the power supply cord is damaged or frayed.
  - B. If liquid has been spilled into the product.
  - C. If the product has been exposed to rain or water.
  - D. If the product does not operate normally when following the operating instructions. Adjust only those controls that are covered by the operating instructions. Improper adjustment of other controls may result in damage, and will often require extensive work by a qualified technician to restore the product to normal operation.
  - E. If the product has been dropped, or the cabinet has been damaged.
  - F. If the product exhibits a distinct change in performance.
13. **Do not** use the telephone to report a gas leak in the vicinity of the leak.

***CAUTION: TO REDUCE THE RISK OF FIRE OR INJURY TO PERSONS BY THE BATTERY, READ AND FOLLOW THESE INSTRUCTIONS:***

1. Use only the appropriate type and size Battery Pack specified in this Operating Guide.
2. **Do not** dispose of the Battery Pack in a fire. The cell may explode. Check the Nickel-Cadmium Battery Disposal package insert for disposal instructions.
3. **Do not** open or mutilate the Battery Pack. Released electrolyte is corrosive and may cause damage to the eyes or skin. It may be toxic if swallowed.
4. Exercise care in handling the battery in order not to short the battery with conducting materials such as rings, bracelets, and keys. The battery or conductor may overheat and cause burns.
5. Charge the Battery Pack provided with or identified for use with this product only in accordance with the instructions and limitations specified in the instruction manual provided for this product.
6. Observe proper polarity orientation between the Battery Pack and battery charger.

**SAVE THESE INSTRUCTIONS**

---

# About Your EXP 9100

---

Congratulations on your purchase of the Uniden **EXP 9100** Cordless Telephone. The **EXP 9100** is designed and engineered to exacting standards for reliability, long life, and outstanding performance. To get the most from your **EXP 9100**, *please read this Operating Guide thoroughly*. Refer to the foldout located in the back of this Operating Guide to help familiarize you with the features of your cordless phone. Also, be sure to fill out the Product Registration card at the back of this Guide, then detach and mail in.

## Unpacking

Your **EXP 9100** box should contain the following items:

- Base Unit
- Handset
- Telephone Line Cord
- AC Adapter ( AD-9100)
- Wall Mount Adapter
- Rechargeable Battery Pack (BT-9100)
- This Operating Guide (read thoroughly)
- Nickel-Cadmium Battery Disposal Notice
- Memory Storage Stickers

If any of these items are missing or damaged, do not contact the place of purchase. Instead, contact Uniden Customer Service at: (800) 297-1023 8 a.m. to 5 p.m., Central, Monday through Friday.

## FCC Requirements

You are no longer required by the FCC to notify your local telephone company of your intent to connect a new telephone. Your local telephone company may call you and request information about your phone such as the brand name, model number, registration number, and ringer equivalence number. This information is provided on a label located on the bottom of the Base Unit.

If your **EXP 9100** Cordless Telephone is not performing up to your expectations, please try the simple steps listed in the Troubleshooting, Range, and Radio Interference sections of this manual. If you are still unable to resolve the problems, please contact Uniden Customer Service.

If the unit must be returned for service, ship or deliver the product, freight prepaid to:

**Uniden America Corporation  
Parts and Service Division  
4700 Amon Carter Blvd.  
Ft. Worth TX 76155**

---

## EXP 9100 Features

---

- Spread Spectrum Technology
- *UltraClear Plus* noise reduction provides the quality sound of a corded telephone.
- Auto Power Control
- Tone/Pulse Dialing
- 20-Number Memory
- Maximum Operating Range
- 3 One-Touch Memory Dialing Buttons
- Room Monitoring
- 2-Way Paging/Intercom
- Redial/Pause and Flash
- Spare Battery Charger/Battery Back-Up
- *AutoStandby*
- *AutoTalk*
- *Auto Channel Scan*
- Auto Channel Change
- Automatic Digital Code Security
- Handset Volume Control/Ringer Volume Control
- Base Unit Ringer Volume Control
- Battery Saving Feature
- 2-Way Handset Mounting
- Reversible Handset Retainer
- Mute
- Hold
- Lighted Keypad

### Automatic Digital Code Security

Many cordless telephones operate similarly and on the same frequency. Without digital code security, another Handset could make calls using your Base Unit and telephone line. Therefore, to avoid any unauthorized calls through your Base Unit, a Digital Code feature was added to your **EXP 9100**. This Digital Code is shared only between the Handset and Base Unit. The Code is set *automatically* when you first use the phone.

To reset the Digital Code:

1. Be sure the Handset is on the Base Unit.
2. Press **INT'COM** on the Base Unit. The Base Unit and Handset will begin beeping.
3. Remove the Handset from the Base Unit and set it down again. The Base Unit and Handset will stop beeping.

The Digital Code is now reset randomly to one of more than 65,000 codes.

If the Base Unit loses power while the Handset is off the Base, the Digital Code may be erased. When this happens, the Handset will not function. To restore the Digital Code:

1. Remove the Handset from the Base Unit (if it is on the Base Unit).
2. Restore power to the Base Unit.
3. Place the Handset back on the Base Unit.

The **CHARGE** LED will blink twice to indicate that the Digital Security Code is set.

***NOTE:** It may take up to 5 seconds to establish contact between the Handset and Base Unit and reset the Digital Security Code.*

## **Auto Channel Scan and Auto Channel Change**

During a call, your **EXP 9100** constantly monitors the noise level of the channel. If the channel becomes too noisy, the unit automatically switches to a clearer channel to maintain the best transmission quality.

## **Spread Spectrum Technology**

Your **EXP 9100** uses Spread Spectrum Technology which provides a digital link between the Base Unit and Handset. This advancement results in unparalleled security, virtually eliminating any chance of outside monitoring, and greatly improves noise reduction for top-quality sound in your cordless phone.

## **Auto Power Control**

The **EXP 9100** automatically sets the Handset RF power level, depending on the distance from the Base Unit. When the Handset is near the Base Unit, the RF power level is low. When the Handset is at a greater distance from the Base Unit, the RF power level is set automatically to high. This provides the clearest possible communications while making the most efficient use of the battery power.

---

# Installing Your EXP 9100

---

## Selecting the Installation Location

Select a location for the **EXP 9100** to avoid excessive heat or humidity (as in a kitchen or bathroom). The Base Unit of your **EXP 9100** can be placed on a desk or tabletop near a standard 120V AC outlet and telephone line jack, or mounted on a standard AT&T or GTE wall plate. Keep the Base Unit and Handset away from sources of electrical noise (motors, fluorescent lighting).

## Connecting the Telephone Line

There are three types of phone outlets: 1) Modular, 2) 4-prong jack, or 3) hard-wired type.

### 1) Modular Jack

Plug the telephone line cord from the Base Unit into a standard modular telephone jack. (**Note:** *If you do not have a modular jack, contact your local telephone company for information on the installation of these jacks.*)

### 2) 4-Prong Jack

An adapter (not included) is required. The adapter plugs into the 4-prong jack and the telephone line cord plugs into the adapter.

### 3) Hard-wired Jack

A modular jack converter (not included) is required. You may need to rewire when connecting the converter (making color-coded connections). (**Note:** *Your Uniden Cordless Telephone Dealer or a telephone supply store can advise you on the proper adapter or converter.*)

There are two telephone line jacks in the **EXP 9100**: "LINE IN" and "LINE OUT".

**NOTE:** *You can connect the Telephone Line Cord to either jack.*

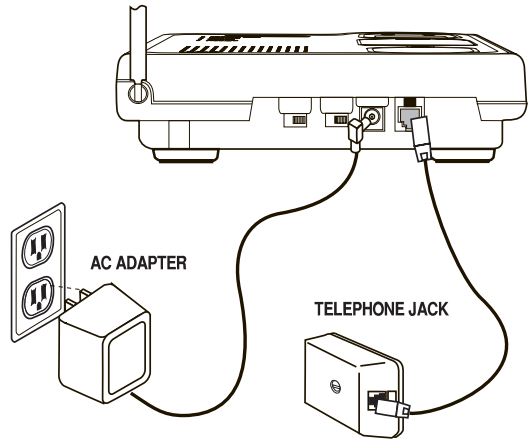
### CAUTION:

- Never install telephone wiring during a lightning storm.
- Never install telephone jacks in wet locations unless the jack is specifically designed for wet locations.
- Never touch uninsulated telephone wires or terminals unless the telephone line has been disconnected at the network interface.
- Use caution when installing or modifying telephone lines.

## Installing the Base Unit on a Desk or Tabletop

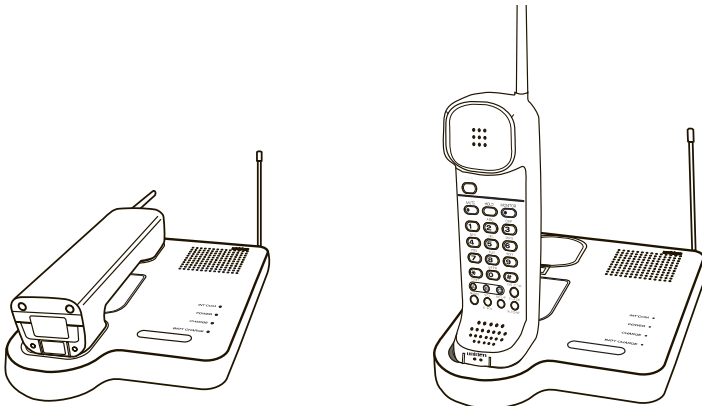
**NOTE:** Refer to the foldout located in the back of this Operating Guide to help familiarize you with the controls of your cordless phone.

1. Place the Base Unit on a desk or tabletop, and plug one end of the Telephone Line Cord (supplied) into the "LINE IN" jack on the Base.
2. Plug the other end of the Telephone Line Cord into the telephone wall jack.
3. Plug the AC Adapter cord into the AC Adapter input jack on the Base Unit.



4. Plug the AC Adapter into a standard 120V AC wall outlet.
5. Route the power cord where it will not create a trip hazard, or where it could become chafed and create a fire or other electrical hazards.

The unique design of your **EXP 9100** allows you to place the Handset on the Base Unit either face down or in an upright position. Also, you may extend the legs on the bottom of the Base Unit, placing it at an angle for better visibility of the LEDs (See the Base Unit Fold-out illustration). Remove the Handset Support in the charging cradle so the handset remains in a stable, upright position. The Battery Pack in the Handset automatically recharges in either position.

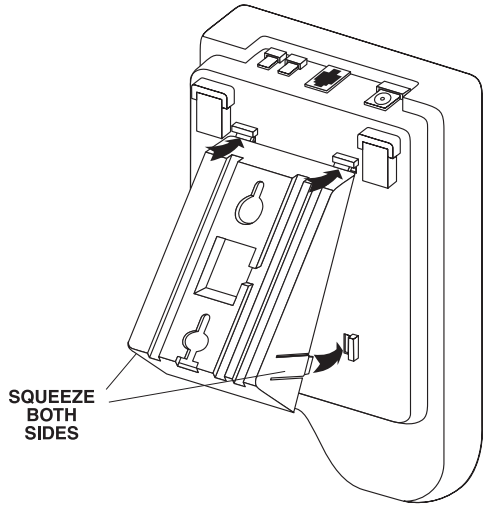




# Mounting the Base Unit on a Wall

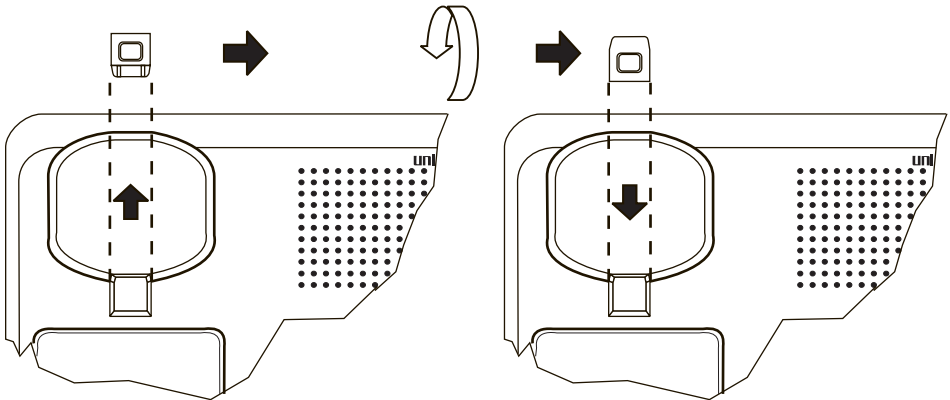
## Installing the Wall-Mount Adapter on the Base Unit

1. Remove the Handset from the Base Unit.
2. Lay the Base Unit face down on a flat, smooth surface.
3. Insert the two front tabs of the Wall Mount Adapter into the two receptacles next to the legs of the Base Unit.
4. Squeeze the two side tabs of the Wall Mount Adapter and snap them into the receptacles near the bottom edge of the Base Unit.



## Setting the Handset Retainer

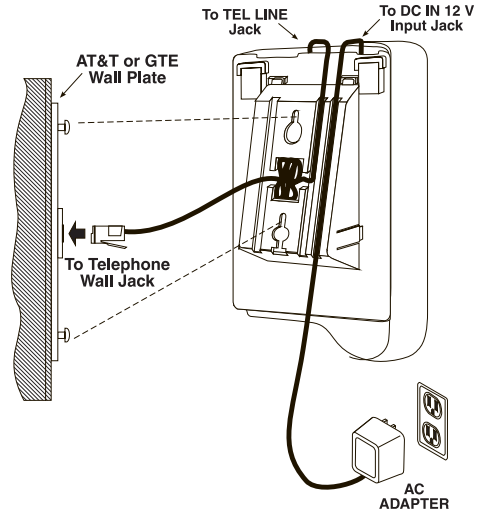
1. Remove the Handset Retainer on the Base Unit by sliding it upward.
2. Flip the Retainer over so the tab is facing up.
3. Slide the Retainer back into the Base Unit.



The Base unit of your **EXP 9100** is now ready to be mounted on a standard wall plate or mounted directly to a wall.

## Mounting on a Standard Wall Plate

1. Plug one end of the Telephone Line Cord (supplied) into the "LINE IN" jack on the top of the Base Unit. Lay the cord inside the molded channel on the bottom of the Wall Mount Adapter connected to the Base Unit. (Put any excess line cord inside the Wall Mount Adapter.)
2. Plug the other end of the Telephone Line Cord into the telephone wall jack.
3. Plug the AC Adapter cord into the AC Adapter input jack on the Base Unit.



4. (**Note: Use only the AC Adapter supplied with the EXP 9100.**) Place the cord inside the molded channel on the Wall Mount Adapter connected to the Base Unit.
4. Place the Base Unit on the two posts of the wall plate and slide downward to secure. Then hang the Handset on the Base Unit.
5. Plug the AC Adapter into a standard 120V AC wall outlet.
6. Route the power cord where it will not create a trip hazard, or where it will not become chafed and create a fire or other electrical hazards.

If you do not have a standard wall plate, you can mount the Base Unit directly on a wall.

## Mounting Directly on a Wall

1. Carefully select a location away from electrical cables, pipes, or other items behind the mounting location that could cause a hazard when inserting screws into the wall.
2. Insert the two mounting screws  $3\frac{5}{16}$  inches apart vertically, allowing about  $\frac{1}{5}$  of an inch between the wall and screw heads for mounting the phone. Make sure the screws are securely fastened, and that the wall material is capable of supporting the weight of the Base Unit; otherwise, damage to the Base Unit could result.
3. Plug one end of the Telephone Line Cord (supplied) into the "LINE IN" jack on the Base Unit. Lay the cord inside the molding on the Wall Mount Adapter connected to the Base Unit.

4. Plug the AC Adapter cord into the AC Adapter input jack on the Base Unit.

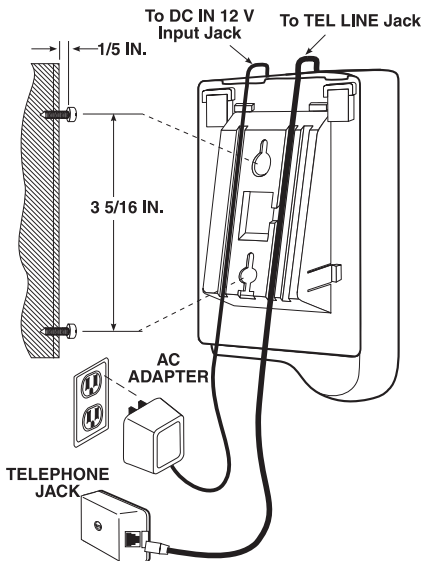
**(Note: Use only the AC Adapter supplied with the EXP 9100.)** Place the cord inside the molded channel on the Wall Mount Adapter connected to the Base Unit.

5. Place the Base Unit onto the mounting screws and slide downward to secure. Then hang the Handset on the Base Unit.

5. Plug the other end of the Telephone Line Cord into the telephone wall jack.

7. Plug the AC Adapter into a standard 120V AC wall outlet.

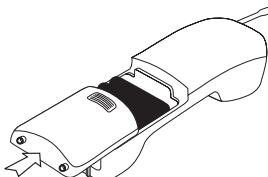
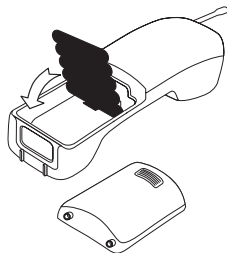
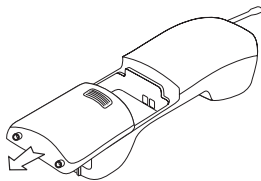
8. Route the power cord where it will not create a trip hazard, or where it will not become chafed and create a fire or other electrical hazards.



## Installing the Battery Pack (BT-9100)

1. Remove the battery compartment cover on the Handset by sliding it down.
2. Slide in the Nickel-Cadmium Battery Pack **(Note: The Battery Pack is keyed to fit so the electrical contacts touch the Handset's electrical contacts.)**
3. Slide the battery compartment cover back on.

After removing the Battery Pack, the built-in Memory Backup feature allows up to 3 minutes to install a charged Battery Pack. This feature prevents losing any phone numbers that may be stored in the telephone's memory.



## Charging the Handset's Battery Pack

The rechargeable Nickel-Cadmium Battery Pack must be fully charged before using your **EXP 9100** for the first time. (**Note:** Allow the unit to charge without interruption for 5-7 hours.)

1. Place the Handset on the Base Unit.
2. Make sure the **CHARGE LED** lights.

If the **CHARGE LED** does not light, check to see that the AC Adapter is plugged in.

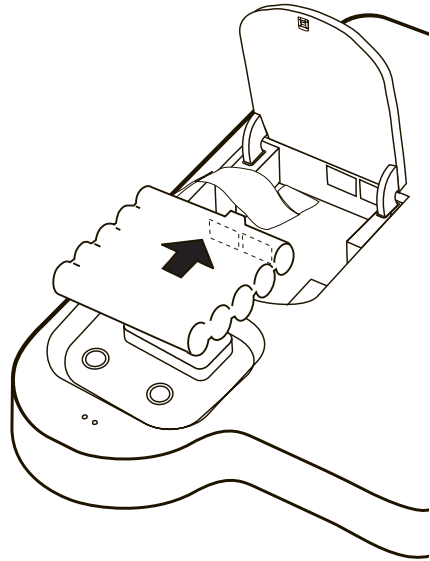
## Charging Extra Battery Packs

The Base Unit of your **EXP 9100** is equipped with a Spare Battery Charger for charging an extra Battery Pack.

1. Press the door to open the Spare Battery Charger.
2. Slide in the Nickel-Cadmium Battery Pack so it rests on top of the ribbon. (**Note:** The Battery Pack is keyed to fit so the electrical contacts touch the Spare Battery Charger's electrical contacts.)

The **BATTERY CHARGE LED** should light. If the **BATTERY CHARGE LED** does not light, check to see that the AC Adapter is plugged in.

3. Press the door to close the compartment.



**Note:** Allow the Battery Pack to charge without interruption for 5-7 hours. When charging is complete, use the ribbon to remove the Battery Pack from the Spare Battery Charger.

## Base Unit Battery Back-Up Feature

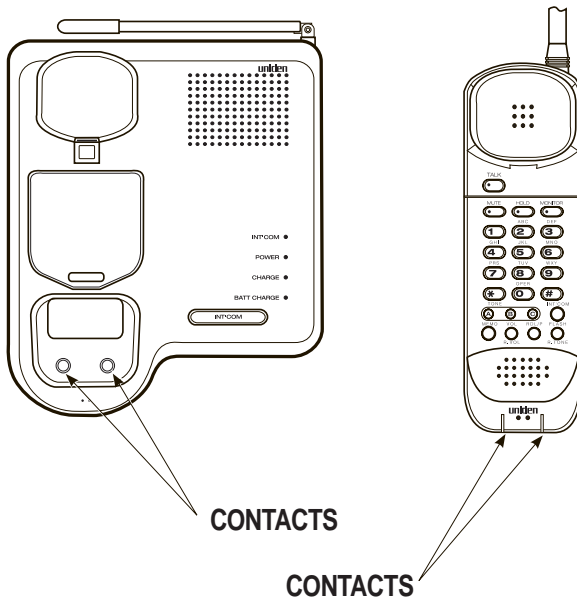
If AC power to the Base Unit fails, and the Spare Battery Charger contains a battery, the Base Unit will keep operating from the spare battery. This feature prevents the system from going dead during a power outage.

## Low Battery Indicator

When the Battery Pack in the Handset is very low and needs to be charged, the **TALK** LED flashes every 3 seconds. If this occurs while you are on the phone, a short alert beep will also sound. When this happens:

1. Complete your call as quickly as possible. Once the battery is low, you will only be able to press the **TALK** button, returning the phone to Standby.
2. Return the Handset to the Base Unit for charging. Allow 5 to 7 hours without interruption for the Battery Pack to fully recharge. Or, replace the Handset's Battery Pack with a charged Battery Pack.

## Cleaning the Battery Contacts



To maintain a good charge, it is important to clean all charge contacts on the Handset and Base Unit about once a month. Use a pencil eraser or other contact cleaner. **Do not** use any liquids or solvents

---

# Using Your EXP 9100

---

**NOTE:** Refer to the foldout located in the back of this Operating Guide to help familiarize you with the features of your cordless phone.

## Preparing the Base Unit and Handset

1. On the Base Unit, select either Pulse Dialing or Tone Dialing, depending on your local service.
2. Set the Base Unit **RINGER/VOLUME** switch to either “LO” or “HI” enabling the Base Unit to ring when a call or page is received.
3. Set the Handset **RING/BATT SAVE** switch so the Handset will ring when receiving a call.

**NOTE:** The **TALK LED** and keypad lights flash when the Handset receives a call regardless of the **RING/BATT SAVE** switch position.

4. Press the **FLASH /R. TONE** button on the Handset to select either of two ringer sounds. (**Note:** This sets the ringer tone only when the phone is not in use.)
5. Press the **VOL/R. VOL** button on the Handset to select either high, medium, or low ringer volume. (**Note:** This sets the ringer volume only when the phone is not in use.)

## During a Call

### Handset Earpiece Volume:

Press **VOL/R. VOL** on the Handset to select a loud or soft volume level in the Handset earpiece.

### Mute Mode:

Press **MUTE** to turn off the Handset’s microphone. The **MUTE LED** lights to show Mute Mode is active. Use this feature to consult another person in the room without the caller hearing you.

### Out of Range Indicator:

When the Handset is reaching the end of the **EXP 9100**’s range limit, a beep sounds in the earphone every four seconds. If the Handset goes farther out of range, the warning beeps every 1.5 seconds. You must go back into range within 20 seconds or the call will be dropped.

### Keypad Lights:

The Handset’s Keypad Lights flash when a call is received and remain lit for 10 seconds. Also, pressing any button on the Handset turns on the Keypad Lights for 10 seconds.

## Answering a Call

1. The Handset rings and the green **TALK** LED and Keypad Lights flash.
2. If the Handset is not in the Base Unit, press **TALK** to answer the call.
3. If the Handset is in the Base Unit, the *AutoTalk* feature allows you to answer the call by simply picking up the Handset and beginning your conversation.
4. When you finish the call, place the Handset back on the Base Unit. *AutoStandby* automatically hangs up the phone. There is no need to press **TALK** to hang up.

—OR—

If the Handset is away from the Base Unit, press **TALK** to hang up the phone.

## Making a Call

1. Remove the Handset from the Base Unit
2. Press **TALK**.

**NOTE:** *The **TALK** LED flashes and there is a slight delay while the Spread Spectrum Technology in your **EXP 9100** sets up a digital link between the Handset and the Base Unit.*

3. When the **TALK** LED glows steadily and you hear a dial tone, dial the number you are calling by pressing the numbers on the keypad or using one of the memory features (See “Using Your **EXP 9100** Memory.”)
4. When you finish the call, place the Handset back on the Base Unit.

*AutoStandby* automatically hangs up the phone. There is no need to press **TALK** to hang up.

—OR—

If the Handset is away from the Base Unit, press **TALK** to hang up the phone.

## Dialing a Stored Number

1. Remove the Handset from the Base Unit
2. Press **TALK**.
3. Press **MEMO** and the memory number (**01-20**) for that number.

-OR-

Press the **ONE-TOUCH DIALING** button for that number.

4. Your **EXP 9100** will then dial the previously stored number. (To store a number, refer to “Using Your **EXP 9100** Memory.”)

**NOTE:** *If you select a memory location that does not have a stored number, the Handset will beep rapidly and the phone will not dial.*

## Chain Dialing

On certain occasions, after dialing a number, you may be requested by the party or service you are calling to enter a special access code, such as when performing a banking transaction.

1. Remove the Handset from the Base Unit.
2. Store the access code into one of the memory numbers. (See “Using Your **EXP 9100** Memory.”)
3. After dialing the main number, press **MEMO** and the memory number of the access code at the appropriate time.

### **Example:**

- a. Dial the number for your bank.
  - When the bank requests your account number:
- b. Press **MEMO**
- c. Press the memory location number for your account number.

Your Handset dials the number and you may proceed with your transaction.

## Special Features

### Placing a Call On Hold

1. Press **HOLD** on the Handset during the call, and the **TALK** LED flashes.

**NOTE:** *If you wish to page the Base Unit while the call is holding, refer to the section “Using your **EXP 9100** Intercom.”*

2. To pick up the call holding, press **TALK** on the Handset.

### Monitoring a Call

Press **MONITOR** on the Handset during a call. This feature amplifies the earpiece audio through the Monitor Speaker on the Handset so you can monitor a call without having the phone next to the ear. The Handset microphone is turned off during monitoring.

### Using the FLASH/R. TONE Button

Press the **FLASH/R. TONE** button while operating the Handset. This feature sends a timed “hook-flash” on the telephone line for accessing services such as Call Waiting, etc.

### Last Number Redial

Press **RDL/P** to dial the last number that you called. This feature is extremely useful when the number you called is busy.

**NOTE:** *If any other key is pressed before **RDL/P**, the phone will not redial the last number.*



# Using Your EXP 9100 Memory

## Storing a Number

1. Remove the Handset from the Base Unit
2. Press **MEMO** (The **TALK LED** lights and you hear a beep.)
3. Enter the number (up to 16 digits) you want to store.

You may enter a delay between numbers (for accessing a switchboard, or long distance service) by pressing **RDL/P** at the point in the number sequence you wish to pause. (**Note:** *The RDL/P button counts as one digit.*) Pressing **RDL/P** more than once will increase the length of the pause between numbers.

4. Press **MEMO** and a number (**01-20**) for the memory location.

*After pressing MEMO the second time, you have 20 seconds to enter the number you wish to store. Otherwise, an error tone will sound and the unit returns to stand-by.*

You will hear a confirmation beep and the **TALK LED** goes out.

5. Write the stored number and its memory location number on one of the enclosed stickers.

**Example: Store 555-1234 in memory location 12:**

- a. Press **MEMO**
- b. Press **5551234**
- c. Press **MEMO**
- d. Press **12**

The Handset beeps confirmation and the **TALK LED** goes out.

## Storing a One-Touch Dialing Number:

1. Follow steps 1 - 3 above in "Storing a Number," then:
2. Press **MEMO** and the **ONE-TOUCH DIALING** button (**A**, **B**, or **C**) you wish to program. The Handset beeps confirmation and the **TALK LED** goes out.

**Example: Store 555-1234 in One-Touch button B:**

- a. Press **MEMO**
- b. Press **5551234**
- c. Press **MEMO**
- d. Press **B**

Handset beeps confirmation and the **TALK LED** goes out.

## Storing Mixed Tone/Pulse numbers:

If your Base Unit is set up for Pulse Dialing, you can store a mixed mode number (up to 16 digits) to easily access long distance services or other services requiring Tone inputs.

1. Follow steps 1 and 2 in "Storing a Number," then:
2. Enter the number to be dialed in Pulse Mode.
3. Press the **TONE** button on the Handset  
(**NOTE:** *The TONE button counts as one digit.*)
4. Enter the number to be dialed in Tone Mode. If desired, press **RDL/P** to enter delays between numbers.
5. Follow steps 4 and 5 in "Storing a Number."  
**Example:** *Store 555-1234, plus tone number 765-4321 in memory location 18:*
  - a. Press **MEMO**
  - b. Press **5551234**
  - c. Press **RDL/P** (To enter delay between numbers)
  - d. Press **TONE** (Switches Handset to Tone Mode; counts as one digit)
  - e. Press **7654321** (Number entered in Tone Mode)
  - f. Press **MEMO**
  - g. Press **18**

Handset beeps confirmation and the **TALK LED** goes out.

## Erasing a Stored Number

1. Remove the Handset from the Base Unit.
2. Press **MEMO** *twice*.
3. Press the memory location number or the **ONE-TOUCH DIALING** button you want to clear. You will hear a long beep confirming that you have erased the number.

## Using your EXP 9100 Intercom

**NOTE:** *The RING ON/BATT SAVE switch on the Handset must be in the "RING ON" position.  
The Base Unit RINGER/VOLUME switch must be set to either "LO" or "HI".*

## Paging from the Base Unit

1. Press **INT'COM**. (If no answer, press **INT'COM** again to disconnect.)
2. Press **TALK** or **INT'COM** on the Handset to answer the page.  
Speak into the mouthpiece.
3. To turn off the Intercom, press **INT'COM** on the Base Unit  
— OR —  
Press **TALK** or **INT'COM** on the Handset.

## Paging the Base Unit While a Call is Holding

1. Press **INT'COM** on the Handset. If no answer, press **TALK** or **INT'COM** to disconnect and return to the call ON HOLD.
2. At the Base Unit, press **INT'COM** to answer the page. Speak into the microphone.
3. To turn off the Intercom press **INT'COM** at the Base Unit  
— OR —  
Press **TALK** on the Handset. The Handset returns to the call ON HOLD.

## Paging from the Handset to the Base Unit

1. Press **INT'COM** on the Handset (If no answer, press **INT'COM** again to disconnect.)
2. At the Base Unit, press **INT'COM** to answer the page. Speak into the microphone.
3. To turn off the Intercom, press **INT'COM** at the Base Unit  
— OR —  
Press **TALK** or **INT'COM** on the Handset.

## Using the EXP 9100 as a Room Monitor

You may use the **EXP 9100** Handset to monitor activity near the Base Unit without anyone present at the Base Unit.

### To turn Room Monitoring on:

1. Remove the Handset from the Base Unit.
2. Press **INT'COM** on the Handset.
3. Press **TALK** on the Handset. Two-way communications are now set up between the Base Unit and the Handset.

**NOTE:** Press **VOL/RVOL** on the Handset to adjust the earpiece volume to loud or soft.

4. To change to one-way communication (Handset to Base only) for private listening, press **MONITOR** on the Handset.

**NOTE:** Press **VOL/RVOL** on the Handset to adjust the Monitor Speaker volume to loud or soft.

**To turn monitoring off,** press **TALK** at the Handset.

# Troubleshooting

If your **EXP 9100** Cordless Telephone is not performing to your expectations, please try these simple steps. If you are still unable to resolve the problems, contact Uniden Customer Service at: (800) 297-1023, 8 AM to 5 PM Central, Monday through Friday. **Note: Do not attempt to service this unit yourself. All service must be done by qualified service personnel.**

| Problem   | Suggestion   |
|---|--|
| Charge light won't come on when Handset is placed in Base Unit. | <ul style="list-style-type: none"> <li>• Make sure the AC Adapter is plugged into the Base Unit and wall outlet.</li> <li>• Make sure Handset is properly seated in Base Unit.</li> <li>• Make sure the Nickel-Cadmium Battery Pack is properly placed inside the Handset.</li> <li>• Make sure that the charging contacts on the Handset and Base Unit are clean.</li> </ul>  |
| Audio sounds weak and/or scratchy.                              | <ul style="list-style-type: none"> <li>• Make sure that the Base Unit antenna is fully vertical.</li> <li>• Make sure that there are no obstacles (walls, doors, etc.) in line-of-sight between the Base Unit and the Handset.</li> <li>• Move the Handset and/or Base Unit to different locations and try again.</li> </ul>   |
| Can't make or receive calls.                                    | <ul style="list-style-type: none"> <li>• Check both ends of the Base Unit telephone line cord.</li> <li>• Make sure the AC Adapter is plugged into the Base Unit and wall outlet.</li> <li>• Disconnect the AC Adapter for a few minutes, and then reconnect it.</li> </ul>  |
| Handset doesn't ring or receive a page.                         | <ul style="list-style-type: none"> <li>• Nickel-Cadmium Battery Pack may be weak. Charge the battery on the Base Unit for more than 5 to 7 hours.</li> <li>• Set the <b>RING ON/BATT SAVE</b> switch on the Handset to "RING ON".</li> <li>• Make sure the Base Unit antenna is fully vertical.</li> <li>• Make sure that there are no obstacles (walls, doors, etc.) in line-of-sight between the Base Unit and the Handset.</li> <li>• The Handset may be too far away from the Base Unit.</li> <li>• Place the Base Unit away from noise sources.</li> <li>• The Digital Security Code may be erased. Set the Digital Code. (See page 5 for instructions.)</li> </ul> |
| Base Unit doesn't ring or receive a page.                       | <ul style="list-style-type: none"> <li>• Set the Base Unit <b>RINGER/VOLUME</b> switch to "LO" or "HI".</li> </ul>   |

## Important Electrical Considerations

Unplug all electrical appliances when you know an electrical storm is approaching. Lightning can pass through your household wiring and damage any device connected to it. The **EXP 9100** is no exception.

**Note:** Please **do not** attempt to unplug any appliance during an electrical storm.

## Range

The **EXP 9100** is designed to achieve the maximum possible range by transmitting and receiving according to the highest specifications set forth by the FCC. We have rated this phone to operate at a maximum distance with the qualification that the range depends upon the environment in which the telephone is used. Many factors limit range, and it would be impossible to include all the variables in our rating. The Maximum Range rating of the **EXP 9100** is meant to be used as a means of comparison against other range claims.

## Telephone Line Problems

The FCC has granted the telephone company the right to disconnect service in the event that your **EXP 9100** causes problems on the telephone line. Also, the telephone company may make changes in facilities and services which may effect the operation of your unit. However, your telephone company must give adequate notice in writing prior to such actions to allow you time for making necessary arrangements to continue uninterrupted service.

If you are having trouble with your telephone service, you must first disconnect the **EXP 9100** to determine if it is the cause of your problem. If you determine that it is the cause, you must leave it disconnected until the trouble has been corrected.

## Radio Interference

Radio interference may occasionally cause buzzing and humming in your cordless Handset, or clicking noises in the Base Unit. This interference is caused by external sources such as TV, refrigerator, vacuum cleaner, fluorescent lighting, or electrical storm. Your unit is NOT DEFECTIVE. If these noises continue and are too distracting, please check around your home to see what appliances may be causing the problem. In addition, we recommend that the base not be plugged into a circuit that also powers a major appliance because of the potential for interference.

## More Than One Cordless Telephone

Other cordless phones will not interfere with your **EXP 9100**. Spread Spectrum Technology and Auto Channel Scan allow your **EXP 9100** to operate on a clear frequency at all times.

---

# Specifications

---

## GENERAL

The **EXP 9100** complies with FCC Part 15 and 68.

Frequency Control : Crystal controlled transmission

Modulation : MSK

Operating Temperature : -10° to 50° C

## Base Unit

Receive/Transmit Frequency : 903.087 to 925.615 MHz (23 Channels)

Power Requirements : 120V AC, 60 Hz

Size :  $6\frac{3}{4}$  in. W X  $7\frac{7}{8}$  in. D X  $3\frac{5}{32}$  in. H  
170mm W X 22mm D X 80mm H

Weight : Approx. 1 lb., 5 oz. (590g)

## Handset

Receive/Transmit Frequency : 903.087 to 925.615 MHz (23 Channels)

Power Requirements : Rechargeable Ni-Cd Battery Pack

Size :  $2\frac{3}{8}$  in. W x  $2\frac{3}{16}$  in. D x  $9\frac{5}{8}$  in. H with antenna  
60mm W X 55mm D X 245mm H with antenna

Weight : Approx. 12 oz. (345g) with battery

Battery : BT-9100

Capacity 600 mA, 6V

Talk Mode 3 hours (typical)

Standby Mode 1 week

*Specifications shown are typical and subject to change without notice.*

# uniden®

## EXP 9100

Cordless Telephone

## Operating Guide



# PRECAUTIONS

Before you read anything else,  
please observe the following:

---

## WARNING!

Uniden America Corporation **DOES NOT** represent this unit to be waterproof. To reduce the risk of fire, electrical shock, or damage to the unit, **DO NOT** expose this unit to rain or moisture.

## NICKEL-CADMIUM BATTERY WARNING

- This equipment contains a Nickel-Cadmium Battery.
- Cadmium is a chemical known to the State of California to cause cancer.
- The Nickel-Cadmium Battery contained in this equipment may explode if disposed of in a fire.
- **Do not** short circuit the battery.
- **Do not** charge the Nickel-Cadmium Battery used in this equipment in any other charger other than the one designed to charge this battery. Using another charger may damage the battery, or cause the battery to explode.

## Nickel-Cadmium Battery Disposal

Nickel-Cadmium Batteries must be disposed of properly. Read the Nickel-Cadmium Battery Disposal package insert for important information.

Uniden® is a registered trademark of Uniden America Corporation. *AutoStandby*™ and *AutoTalk*™ are trademarks of Uniden America Corporation. *AutoStandby* is a patented invention of Uniden America Corporation.



---

# One Year Limited Warranty

---

**WARRANTOR:** UNIDEN AMERICA CORPORATION (“Uniden”)

**ELEMENTS OF WARRANTY:** Uniden warrants, for one year, to the original retail owner, this Uniden Product to be free from defects in materials and craftsmanship with only the limitations or exclusions set out below.

**WARRANTY DURATION:** This warranty to the original user shall terminate and be of no further effect 12 months after the date of original retail sale. The warranty is invalid if the Product is (A) damaged or not maintained as reasonable or necessary, (B) modified, altered, or used as part of any conversion kits, subassemblies, or any configurations not sold by Uniden, (C) improperly installed, (D) repaired by someone other than an authorized service center for a defect or malfunction covered by this warranty, (E) used in any conjunction with equipment or parts or as part of any system not manufactured by Uniden, or (F) installed, programmed, or serviced by anyone other than an authorized Uniden service center.

**STATEMENT OF REMEDY:** In the event that the product does not conform to this warranty at any time while this warranty is in effect, warrantor will repair the defect and return it to you without charge for parts, service, or any other cost (except shipping and handling) incurred by warrantor or its representatives in connection with the performance of this warranty. THE LIMITED WARRANTY SET FORTH ABOVE IS THE SOLE AND ENTIRE WARRANTY PERTAINING TO THE PRODUCT AND IS IN LIEU OF AND EXCLUDES ALL OTHER WARRANTIES OF ANY NATURE WHATSOEVER, WHETHER EXPRESS, IMPLIED OR ARISING BY OPERATION OF LAW, INCLUDING, BUT NOT LIMITED TO ANY IMPLIED WARRANTIES OF MERCHANTABILITY OR FITNESS FOR A PARTICULAR PURPOSE. THIS WARRANTY DOES NOT COVER OR PROVIDE FOR THE REIMBURSEMENT OR PAYMENT OF INCIDENTAL OR CONSEQUENTIAL DAMAGES. Some states do not allow this exclusion or limitation of incidental or consequential damages so the above limitation or exclusion may not apply to you.

**LEGAL REMEDIES:** This warranty gives you specific legal rights, and you may also have other rights which vary from state to state. This warranty is void outside the United States of America.

**PROCEDURE FOR OBTAINING PERFORMANCE OF WARRANTY:** If, after following the instructions in this Operating Guide you are certain that the Product is defective, pack the Product carefully (preferably in its original packaging). Include evidence of original purchase and a note describing the defect that has caused you to return it. The Product should be shipped or delivered (by UPS or insured parcel post), freight prepaid to warrantor at:

**Uniden America Corporation  
Parts and Service Division  
4700 Amon Carter Blvd.  
Ft. Worth TX 76155  
(800) 297-1023, 8 AM to 5 PM Central, Monday through Friday**

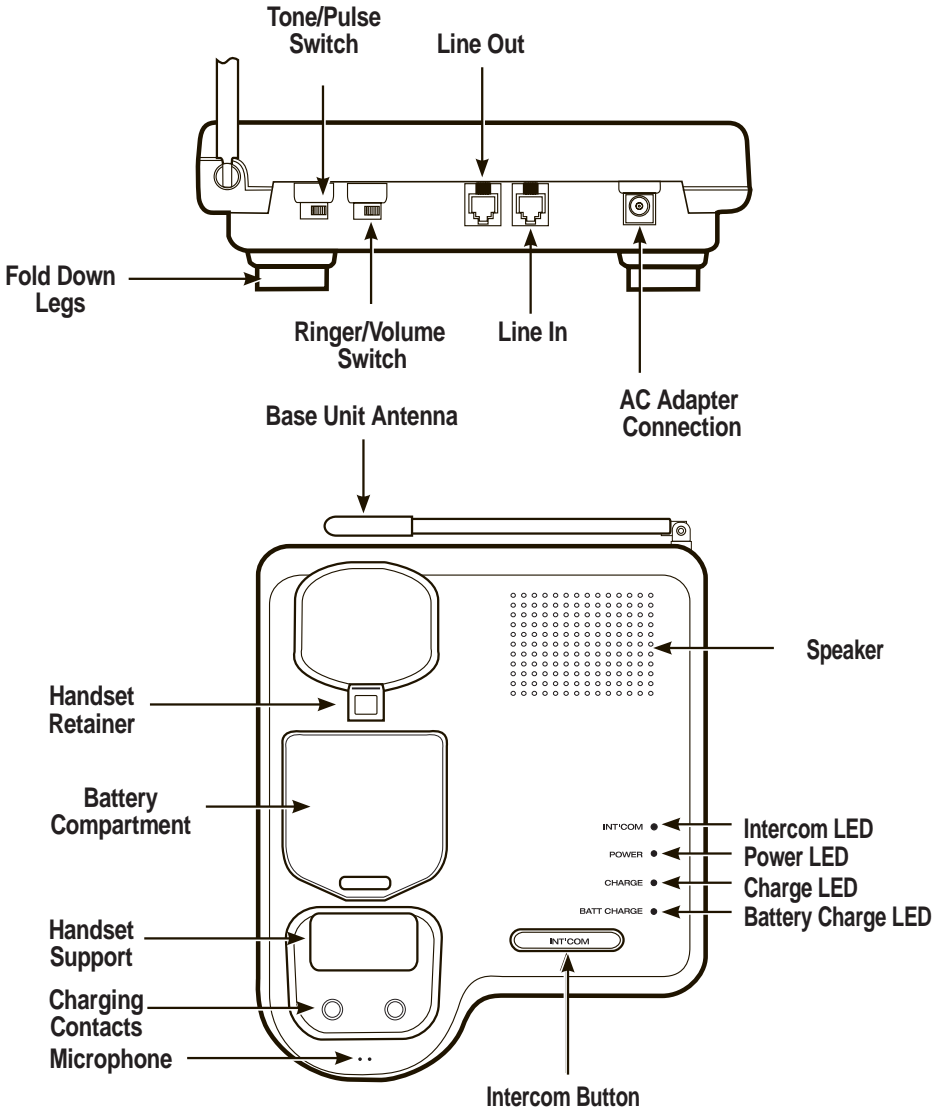
**uniden®**

© 1993 Uniden America Corporation. All rights reserved.

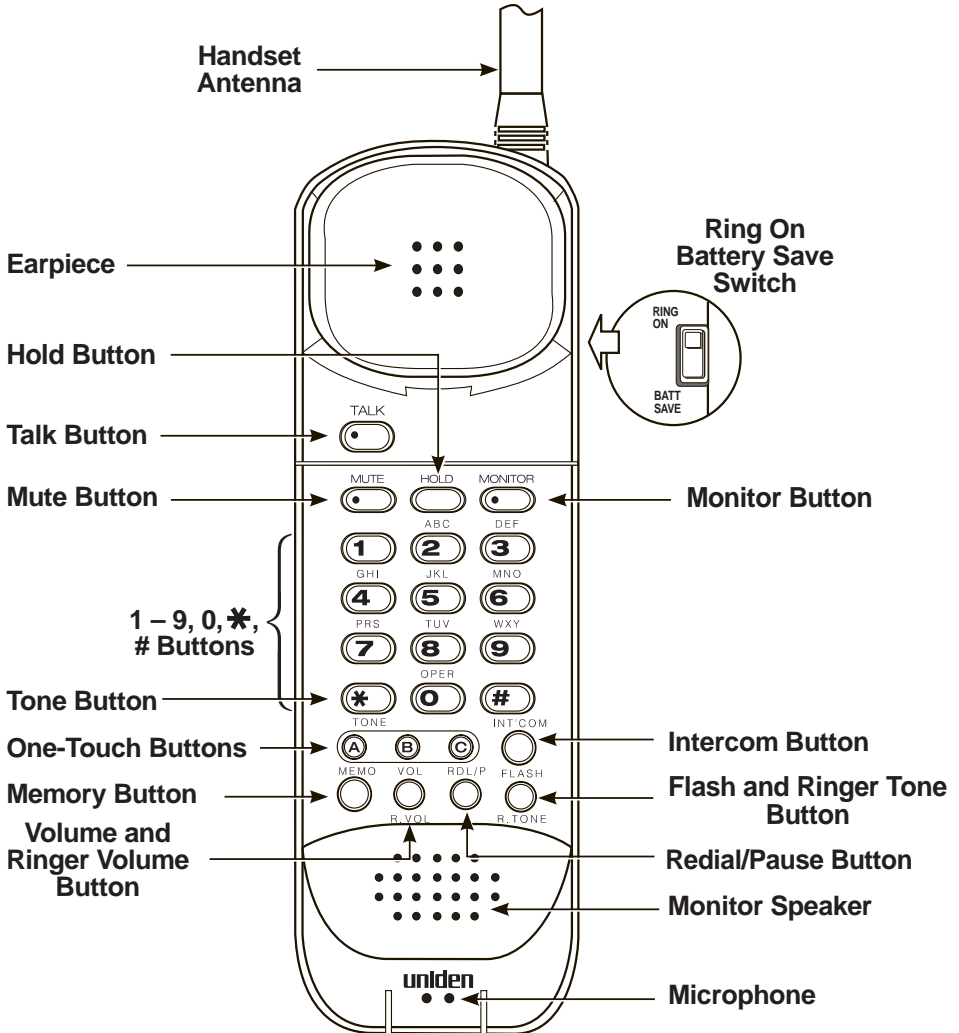
ZUDUD01304AZ

Printed in Hong Kong

# Base Unit Controls & Functions



# Handset Controls & Functions



## Free Manuals Download Website

<http://myh66.com>

<http://usermanuals.us>

<http://www.somanuals.com>

<http://www.4manuals.cc>

<http://www.manual-lib.com>

<http://www.404manual.com>

<http://www.luxmanual.com>

<http://aubethermostatmanual.com>

Golf course search by state

<http://golfingnear.com>

Email search by domain

<http://emailbydomain.com>

Auto manuals search

<http://auto.somanuals.com>

TV manuals search

<http://tv.somanuals.com>