

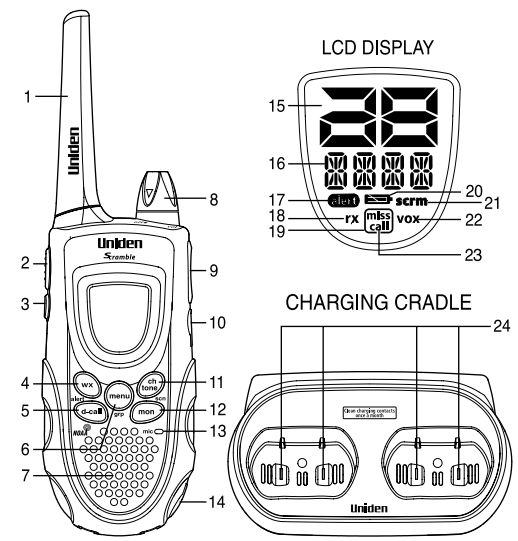
GMR2089-2CK/GMR2099-2CK

- 15 GMRS / 7 FRS Channels
- 142 Privacy Codes (CTCSS Tone and DCS Code)
- Up to 20 Mile Range*
- Direct Call
- Scramble
- 143 Group Codes
- Silent Mode
- Internal VOX Circuitry
- 10 Selectable Call/Ring Tone Alerts
- Backlit LCD Display
- Optional Headset Accessories
- Headset Jack
- Roger Beep
- Vibrate Reminder (GMR2099 Only)
- Power Boost Button for Maximum Range
- All Call
- Auto Channel Change Call
- Battery Charger
- Battery Level Meter
- Channel Monitor
- Channel Scan
- Group Scan
- Keypad Lock
- NOAA Emergency / Weather Channels
- Emergency Weather Alert
- DC IN 9V Jack



*Range may vary depending on environmental and/or topographical conditions.

GMR2089-2CK/GMR2099-2CK RADIO



- | | |
|-----------------------------|----------------------------|
| 1 Antenna | 13 Microphone |
| 2 PTT (Push-To-Talk) Button | 14 DC IN 9V |
| 3 Power Boost Button | 15 Channel Indicator |
| 4 Weather/Alert Key | 16 Sub Code Indicator |
| 5 D-call Key | 17 Alert Indicator |
| 6 Menu/Group Key | 18 Receive Indicator |
| 7 Speaker | 19 Miss Indicator |
| 8 Volume Setting Nob | 20 Battery Level Indicator |
| 9 Up/Down Button | 21 Scramble Indicator |
| 10 Headset Jack | 22 VOX Indicator |
| 11 Channel Tone/Scan Key | 23 Call Indicator |
| 12 Monitor Key | 24 Charging Contacts |

Congratulations on your purchase of the Uniden GMR2089-2CK/GMR2099-2CK (General Mobile Radio Service) radio. This lightweight, palm-sized, radio is a state-of-the-art device, equipped with many valuable features. Use it at sporting events, to stay in contact with family and friends, hiking, skiing, outdoors, or in a neighborhood watch for vital communication.

PACKAGE CONTENTS

Your package contains two GMR2089-2CK / GMR2099-2CK radios, two rechargeable NiMH battery packs (#BP38), one AC adapter (#AD-314), one charging cradle (#RC1201), two belt clips and this reference guide. You can operate the unit using the rechargeable NiMH battery pack or 4 AAA alkaline batteries (not included).

To order the following optional accessories, visit our web site @www.uniden.com or call 1-800-554-3988 during business hours.

- Use only Uniden accessories.**
- NiMH Battery Pack - #BP38
 - Charging Cradle - #RC1201
 - VOX Headset - #HS910/HS915ZA-133
 - AC Adapter - #AD-314 (AC adapter AD-800 [discontinued] can also be used.)
 - DC Adapter - #DC-1002

GMRS LICENSE

The GMR2089-2CK/GMR2099-2CK radio operates on the General Mobile Radio Service (GMRS) frequencies when using Channels 1-7 and channels 15-22. You must have a GMRS license issued by the Federal Communications Commission to legally use these channels. For licensing information and application forms, visit the FCC online at: www.fcc.gov/wtb/uls or call the FCC hotline at 1-800-418-3676. If you have any questions, you can contact the FCC direct at 1-888-225-5322. No license is required for operation on channels 8-14 or operation on any channel in Canada.

INSTALL THE BATTERY

Your GMR2089-2CK/GMR2099-2CK radio uses a supplied NiMH battery pack or 4 AAA alkaline batteries (not included).

To install the NiMH battery pack:

- Make sure the radio is off.
- Release the battery cover clip, then remove the battery cover.

- Put the NiMH battery pack in the battery compartment applying the battery contacts to the lower charge contacts. Be sure to follow the instructions written on the battery pack's label. Installing the battery pack incorrectly will prevent the unit from operating.
- Align the battery cover tabs with the tab holes on the radio, then replace the cover clip.

USING THE RADIO BATTERY LEVEL AND LOW BATTERY ALERT

This radio has a battery level meter that indicates the status of the batteries. When the battery level is low, **BATT** appears and the battery level meter icon flashes. Recharge the NiMH battery pack immediately or, if you are using the alkaline batteries, replace the alkaline batteries in order to continue using the radio.

Warning! To avoid the risk of personal injury or property damage from fire or electrical shock, only use the Uniden accessories specifically designated for this product.

CHARGING THE RADIO

If you use the rechargeable NiMH battery pack, two GMR2089-2CK/GMR2099-2CK radios can be charged directly or by using the supplied charging cradle.

Charge by Using the Radio

- Connect the DC adapter's plug to the radios DC IN 9V jack and plug other end into your vehicle's accessory power outlet.
- Charge the battery pack for 16 hours until the battery indicator stops flashing.

Using the Charging Cradle

- Connect the adapter's plug to DC IN 9V jack of the charging cradle and plug the other end into an AC outlet.
- Set the charging cradle on the desk or tabletop, and place the radio in the charging cradle with the keypad facing forward.
- Charge the battery pack for 16 hours until the battery indicator stops flashing. Then remove the radio from the charging cradle after completing charging.

Note:

- For charging batteries directly without the cradle, use only the #DC-1002 Cigarette Lighter Adapter code, available from WWW.Uniden.com. Other power cords could damage your radio.
- Use only the supplied battery and AC adapter or approved DC adapter from Uniden.

- Charge time may vary depending on the battery life remaining.
- Do not recharge alkaline batteries. Doing so can create a safety hazard or damage the radio.
- For fastest charging, turn off the radio before charging.
- Batteries must be installed for operation, even from external power.
- If battery power is low, you cannot operate the radio even using external power. Let the batteries charge before using. If you try to transmit while power is low, the radio automatically turns off.

USING THE RADIO

In order to get the most out of your new radio, read this reference guide completely before attempting to operate the unit.

Turning the Radio On and Adjusting the Volume

- Rotate **vol/off** clockwise until it clicks, and set volume to a comfortable listening level.
- To turn off the radio, rotate **vol/off** counterclockwise until it clicks.

Adjusting the Sound (Key Beeps)

Your radio sounds a beep each time you press a key (except for **PTT** and **Power boost**). To turn this sound off, press and hold **d-call** while turning on the radio. Repeat this step to turn the sound on.

Choosing a Channel

Your radio has 22 channels and 142 Privacy codes you can use to talk to others. In order to speak to someone, both your radios must be set to the same channel and Privacy code.

To choose a channel: Press **ch tone/scn**, then press **▲** or **▼** to increase or decrease the channel number displayed.

Note: Channels 1-7 and 15-22 have a typical range of up to 20 miles by pressing the **Power Boost** button. **HI** is displayed when you select a GMRS channel, and **LO** is displayed when you select a FRS channels.

Warning! The range of channels 1-7 and 15-22 can be boosted only when you use NiMH batteries. When you press **Power boost** while using alkaline batteries, the range is not boosted.

SETTING UP GROUP MODE

In order to use Group Mode you need to initialize a couple of settings in your radio:

- Set the radio to Group Mode
- Set a Group Code
- Set a Ring Tone
- Set a Unit Number
- Set a "Nickname"

Setting the Radio to Group Mode

To set the radio to Group Mode, which enables Direct Call, Auto Channel Change and All Call, press and hold **menu/grp** for 2 seconds. The radio displays **oF GRUP**. Press **▲** to display **on GRUP**, then press **menu/grp** to advance to setting the Group Code.

Note: In group mode, you cannot receive transmissions from other radios unless they are also set to the same channel and group code.

Setting the Group Code

Set the group code for your radio group from 0-142. Everyone in your group must select the same group code in order to communicate with each other.

- Press and hold **menu/grp** for 2 seconds. The radio displays **on GRUP**.
- Tap **menu/grp**. The radio displays **Gnnn** (n is a number). Press **▲** or **▼** to select the group number.
- Press **PTT** or **Power boost** to return to normal operation, or press **menu/grp** to continue to the next section.

Setting the Ring Tone

This setting selects the tone you hear when someone places a direct call to you.

- Press and hold **menu/grp** for 2 seconds, then tap **menu/grp** two times until the radio displays **n RING**.
- Press **▲** or **▼** to select the desired ring sound. With each press, you hear a sample of the selected tone.
- Press **PTT** or **Power boost** to return to normal operation, or press **menu/grp** to continue to the next section.

Setting the Unit Number

Each radio in your group needs to be set to a unique unit number, from 1-16.

- Press and hold **menu/grp** for 2 seconds, then tap **menu/grp** three times until the radio displays **n** (or your current nickname).
- Press **▲** or **▼** to select the desired unit number.
- Press **menu/grp** to continue to the next section.

Setting Your Nickname

Your nickname appears on other units' displays when you make a All Call or direct call. This is also the name that appears on other radio displays

when someone wants to make a direct call to you. When no nickname is set, the unit number appears.

- Press and hold **menu/grp** for 2 seconds, then tap **menu/grp** four times until the radio displays **n** (or your current nickname) with the first part of the nickname flashing.
- Press **▲** or **▼** to select the letter, then **ch tone/scn** to advance to the next letter until you have entered your nickname.
- Press **menu/grp** to confirm the setting and exit the group settings menu.

Using Group Mode

Group mode lets you make direct calls to other people in your group without alerting the entire group and also lets you quickly change everyone in your group to another channel from a single radio. Before using group mode, follow the instructions in "Setting Up Group Mode", on every radio in your group. Then, to record the unit ID and everyone's nickname in every radio, send a call to "All" from each radio one time (see "Sending a Direct Call").

Sending a Direct Call

Direct Call lets you call everyone in your group at once, or call a single person in your group without anyone else in the group knowing. It is like a "speed dial" directly to the person(s) you want to talk to.

To call everyone in your group, press **d-call** in group mode. The radio flashes **ALL**. Then, press **d-call** again. Everyone in your group receives a call "chirp" for about 3 seconds. When the chirp ends, begin your conversation.

Note: When you make a direct call to "all," your radio also sends out your nickname or ID so that it will show up in the call list for everyone in your group.

To call one person in your group, without having other people know, press **d-call** in group mode. Then, use **▲** or **▼** to select the person you want to call and press **d-call** again. Your radio sounds tones for 3 seconds as it sends the call. When the selected person answers, you can begin your conversation. You can silence the call tones at any time by pressing **PTT** or **Power boost**.

Your conversation remains private between you and the person you called until 15 seconds after your last conversation. Then, your radio automatically exits private mode.

Automatically Changing Channels

Auto Channel Change lets you easily coordinate a channel change for everyone in your group. You might want to do this when you find you are getting a lot of interference on your current channel. Or, you can use this feature to change from a low-

power channel (8-14) to one of the high-powered channels (1-7, 15-22) if you need more range (or to a low-power channel if you need longer battery life).

To start an auto channel change, on any radio in the group tap **ch tone/scn** twice. The current channel and **CHCX** appears. Use **▲** or **▼** to select the target channel. You can check whether the selected channel is clear. Then press **d-call**. Your radio chirps for about 10 seconds while it sends out the channel change signal. As each radio receives the channel change signal, it chirps once, then changes to the new channel.

To ensure all radios make it to the new channel, we recommend you:

- Make sure you are in an open environment, where the radio will get the best range.
- Optimize range during the channel change signal by raising the radio over your head to give the best possible height.
- Do a "roll call" on the new channel after the move to be sure no one was left behind. If you missed someone, return to the previous channel and issue the signal again.

USING THE RADIO IN STANDARD MODE

Use the radio in standard (not group) mode when you need to be able to communicate with radios that do not have the group feature.

Choosing a Privacy Code

You can select a Privacy Code from 1-142 for each channel. **oFF** (OFF) indicates no Privacy code selected and your radio can receive a signal regardless of the code settings of the transmitting radio.

- Press **ch tone/scn** twice. The Privacy code indicator flashes.
- Press **▲** or **▼** to increase or decrease the code. You can also select **oFF**.
- Press **ch tone/scn** again.

Note: Only tones 1-38 are standard across radio brands. Other settings might differ from brand to brand. See the specifications for the specific tones used for each setting.

Channel Scan Feature

Your GMR2089-2CK/GMR2099-2CK radio has a channel scan feature that lets you easily scan all 22 channels. When an active channel is detected, the radio pauses on that channel until the channel is clear. Then after a 2-second delay, the radio resumes scanning. Pressing **PTT** or **Power boost**

while the scan is paused on a channel lets you transmit on that channel.

To turn on channel scan: Press and hold **ch tone/scn** until **SCAN** appears. The channel number changes as the radio rapidly cycles through the channels.

To turn off channel scan:

Press **d-call**, **PTT**, **Power boost**, **wx/alert** or **menu/grp**, or press and hold **ch tone/scn** for 2 seconds.

Talking on Your Radio

To talk to others using the radio:

- Press and hold **PTT** or **Power boost** and speak in a clear, normal voice about 2-3 inches away from the microphone. While you transmit, **TXHI** or **TXLO** appears on the display according to the type of channel. To avoid cutting off the first part of your transmission, pause slightly after pressing **PTT** or **Power boost** before you start talking.
- When you finish speaking, release **PTT** or **Power boost**. You can now receive incoming calls. While receiving, **rx** appears on the display.

Note: When you press **Power boost**, **BOOS** appear on the display. The radio transmits at maximum power when a GMRS channel is selected. If **Power boost** is continuously pressed, 1 minute after you start pressing **Power boost** the transmission stops and you hear a boost timeout error tone.

Monitor Mode Feature

Your GMR2089-2CK/GMR2099-2CK radio lets you listen for weak signals on the current channel at the press of a key.

To turn on the Monitor Mode:

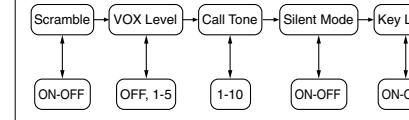
- For brief listening, press **mon**. **MON** appears and **rx** flashes.
- Press and hold **mon** for 2 seconds until two beeps sound for continuous listening. The receiver circuit stays open, so you hear both the noise and weak signals.

To turn off Monitor Mode:

Press **mon** to return to the previous mode. **MON** and **rx** disappear.

Navigating through the Normal Menu

To access the advanced features of the GMR2089-2CK/GMR2099-2CK, your radio has a Menu function.



- To enter the menu, press **menu/grp**.
- Additional presses of **menu/grp** advances you through the menu. After the last menu item, the radio exits to the previous mode.
- Other ways to exit the Menu function are:
 - Press **PTT**, **Power boost**, **mon**, **d-call**, **wx/alert**, or **ch tone/scn**.
 - Wait 10 seconds until the radio automatically returns to the previous mode.

Setting Scramble

Scramble allows you to make a private conversation. No one listening to your conversation can understand what you are talking about. Be sure that the person you are calling also sets their radio to the scramble feature.

To set Scramble:

- Enter the menu. **SCRM** appears and the current setting flashes.
- Press **▲** to display **on SCRM**. **scrm** appears.

Note:

- Scramble only operates on FRS channels 8-14.
- You can only communicate using scramble between two compatible Uniden radios.

Voice Operated Transmission

Your GMR2089-2CK/GMR2099-2CK radio has a user selectable Voice Operated Transmitter (VOX) that can be used for automatic voice transmissions. The VOX feature is designed to be used with a headset with a microphone. Transmission is starts when you speak into the microphone instead of pushing the **PTT** and **Power boost** button.

To select the VOX level:

- Enter the menu. Advance through the menu until **VOX** appears. The current level (OFF, 1-5) flashes. Level **oF** (OFF) disables VOX, while levels 1-5 set the sensitivity of the VOX circuit.
- Press either **▲** or **▼** to set the desired VOX sensitivity level. Use level 1 for increased sensitivity to voice in normally quiet environments, and use a higher level to reduce undesired activation in very noisy environments.

Transmitting a Call Tone

Your GMR2089-2CK/GMR2099-2CK radio is equipped with 10 selectable call tones that are

Please do not send products or other correspondence to this address.

039 Q

Uniden®
PRODUCT REGISTRATION DEPARTMENT
PO BOX 44486
DENVER CO 80201-4486
USA

Uniden®
PRODUCT REGISTRATION CARD

Complete the attached registration card and return today to receive these 3 important benefits:

- ▶ **CONFIRM YOUR WARRANTY:** Your prompt product registration confirms your right to the protection available under the terms and conditions of your Uniden warranty.
- ▶ **PROTECT YOUR PRODUCT:** We will keep the model number and date of purchase of your new Uniden product on file to help you refer to this information when necessary.
- ▶ **HELP US DEVELOP NEW PRODUCTS:** We value your input! Your responses will help us bring you new products specifically designed to meet your needs.

PLACE
FIRST-CLASS
STAMP
HERE

Please fill-out and return this card within 10 days!



039 Q

1 First name: _____ Initial: _____ Last name: _____
 Address: (number and street) _____ Apt number: _____
 City: _____ State: _____ Zip code: _____

2 E-mail address: (EXAMPLE: yourname@yourhost.com) _____

- Yes! I want to receive offers or communications from Uniden via e-mail.
- Yes! I want to receive offers or communications that may interest me from other companies via e-mail. I understand this e-mail address may be shared with and/or combined with information from other sources.

3 Date of purchase: _____
 Month _____ Day _____ Year _____

4 Purchase Price: \$ _____ .00 (excluding tax)

5 Serial Number: (Located on the back of each unit)
 _____ (Applies to FRS/GMRS only)

6 Model Number: (Example: GMRS540-2, WX500)

7 Which Uniden product did you purchase?
 1. FRS/GMRS Radio 2. Weather Radio

8 Store Name: _____

9 Check the two (2) most important reasons influencing your purchase of this Uniden Product:

1. <input type="checkbox"/> Uniden reputation	6. <input type="checkbox"/> Style/appearance
2. <input type="checkbox"/> Previous experience	7. <input type="checkbox"/> Warranty
3. <input type="checkbox"/> Features	8. <input type="checkbox"/> Received as a gift
4. <input type="checkbox"/> Value for price	9. <input type="checkbox"/> Other _____
5. <input type="checkbox"/> Quality/durability	

10 Check the two (2) most important features to you on this Uniden product:

1. <input type="checkbox"/> Range	6. <input type="checkbox"/> Color
2. <input type="checkbox"/> Low battery alert	7. <input type="checkbox"/> Design
3. <input type="checkbox"/> Clarity	8. <input type="checkbox"/> Channel scan
4. <input type="checkbox"/> Number of channels	9. <input type="checkbox"/> LCD backlight
5. <input type="checkbox"/> Auto squelch	

11 How did you first become aware of this product?

1. <input type="checkbox"/> Previous Use	7. <input type="checkbox"/> Recommendation of Salesperson
2. <input type="checkbox"/> Comparison Shopping	8. <input type="checkbox"/> Recommendation of Friend/Family
3. <input type="checkbox"/> In-Store Display	9. <input type="checkbox"/> Direct Mail
4. <input type="checkbox"/> Newspaper Ad	
5. <input type="checkbox"/> Magazine Ad	
6. <input type="checkbox"/> TV Ad	

12 Your gender: 1. Male 2. Female

13 Your marital status: 1. Married 2. Single

14 Date of your birth: _____
 Month _____ Day _____ Year _____

15 Including yourself, how many people live in your household?
 (Examples: 01, 02, etc.) Children (18 and younger) _____ Adults _____

transmitted when you press **d-call** in standard mode.

To select a call tone:

- Enter the menu. Advance through the menu until **CALL** appears. The current call tone number (1-10) flashes.
- Press **▲** or **▼** to increase or decrease the number to the desired call tone. Each tone will be heard through the speaker.

To transmit the selected call tone, press **d-call**. The selected tone is transmitted for a fixed length of time. Call Tone is cancelled if you press **PTT** or **Power boost**.

Setting Silent Mode

When you turn on the silent mode, all incoming calls are muted: the radio blinks the display backlight, the channel indicator, **SLNT** and call to alert you to an incoming call. If you do not respond to the call within 15 seconds, the backlight turns off, and the call will blink until there is no signal. The GMR2099 will also vibrate to remind you that you missed a call. Silent mode is disabled for 15 seconds when you transmit, receive, or press any other button.

To set the silent mode:

- Enter the menu. Advance through the menu until the **SLNT** appears. The current setting flashes.
- Press **▲** to display **on SLNT**.

Note: To prevent unwanted silent alerts, be sure to use a Privacy code or group code whenever you use the Silent mode feature. You can hear the received voice when you turn on channel scan and an active channel is detected even during silent mode.

Missed Call Alerts

If you receive an incoming call while silent mode is on and do not respond, the radio will turn on the Missed Call icon. If you are using the Group Mode, the radio will also indicate the person who made the call.

The GMR2099 will additionally remind you of a missed call by vibrating every minute after the call for 3 minutes.

Key Lock

To lock the keypad:

- Enter the menu. Advance through the menu until **LOCK** appears. The radio displays **of LOCK**.
- To switch Key Lock from **of (OFF)** to **on (ON)**, press **▲**.
- To confirm the setting, press **menu/grp**. The radio returns to the current mode.

Note: If you exit the setting mode before confirming your selection by pressing **menu/grp**, Key Lock is set to **of (OFF)**.

To unlock the keypad:

- Turn off the radio by rotating **vol/off** counterclockwise until it clicks.
- Turn on the radio again by rotating **vol/off** clockwise until it clicks. The keypad is unlocked.

Automatic Power Save Feature

Your GMR2089-2CK/GMR2099-2CK radio has a unique circuit designed to dramatically extend the life of the batteries. If there is no transmission nor an incoming call within 3 seconds, your radio switches to the Power Save mode. The radio is still able to receive transmissions in this mode.

LCD Backlight

The LCD Backlight automatically turns on when any key (except the **PTT** and **Power boost** button) is pressed. The LCD remains lit for 10 seconds before turning off.

Roger Beep

Roger beep is a beep that is sent to notify the end of transmission (both PTT and VOX transmission). You can hear the roger beep can be heard through the speaker when both roger beep and key beep are on. When roger beep is on and key beep is off, you do not hear the roger beep, but it is transmitted to your party.

To turn the roger beep OFF, press and hold **▲** while turning ON the radio. Repeat this step to turn the beep ON.

USING THE WEATHER RADIO

Your GMR2089-2CK/GMR2099-2CK radio can receive weather broadcasts from the NOAA National Weather Service. When in the Weather Radio Alert mode, the system functions as it does in standard mode but also monitors the selected weather channel for alerts when not communicating. While using the Weather Radio, you are not able to receive GMRS communications.

- To turn on the Weather Radio Broadcast mode, press **wx/alert**. **WX** appears.
- Press **ch tone/scn**, then press **▲** or **▼** to increase or decrease the number to the desired Weather Channel.
- To exit the Weather Radio Broadcast mode, press **wx/alert**. **WX** disappears.

- To change the channel continuously, press and hold **▲** or **▼** for more than 1 second.

- When in the Weather Radio Broadcast mode, you can only set the Key Lock from the Menu mode.

Choosing an Emergency/Weather Channel

There are 7 NOAA channel frequencies available and these frequencies are common between the US and Canada. You need to know what frequency is being transmitted in your location.

- Press and hold **wx/alert**. **alert** appears.
- When the unit receives a warning signal, it beeps for 5 seconds. **alert**, **WX** and channel indicator blink.
- To turn off Weather Alert, press and hold **wx/alert**. **alert** disappears.

- When Weather Alert is activated, the highest priority is given to this function. It checks the weather alert signals every 7 seconds. When the unit finds a warning signal, it switches to the warning receive mode automatically.
- Weather Alert is activated even if key beep is turned off.

NOAA Weather Radio Frequency List
 Channel 1 162.550 MHz Channel 5 162.450 MHz
 Channel 2 162.400 MHz Channel 6 162.500 MHz
 Channel 3 162.475 MHz Channel 7 162.525 MHz
 Channel 4 162.425 MHz

SPECIFICATIONS

Channels	15 GMRS/7 FRS/7 Weather
Sub Codes	38 Sub-Audible Tones 104 DCS Codes

Operating Frequency	GMRS/FRS: 462.5500 - 467.7125 MHz WX: 162.4000 - 162.5500 MHz
Power Source	NiMH Battery Pack (BP38) or 4 AAA Alkaline Batteries

Range Channel	1-7 up to 14 miles (20 miles with Power boost button) Channel 8-14 up to 5 miles Channel 15-22 up to 14 miles (20 miles with Power boost button)
Battery Life	12 Hours typ. - NiMH Battery Pack (5/5/90 duty cycle)

Frequency Chart

Ch.	Freq. [MHz]	Cross Ref.	Ch.	Freq. [MHz]	Cross Ref.
1	462.5625	FRS & GMRS 1	12	467.6625	FRS 12
2	462.5875	FRS & GMRS 2	13	467.6875	FRS 13
3	462.6125	FRS & GMRS 3	14	467.7125	FRS 14
4	462.6375	FRS & GMRS 4	15	462.5500	GMRS 11
5	462.6625	FRS & GMRS 5	16	462.5750	GMRS 8
6	462.6875	FRS & GMRS 6	17	462.6000	GMRS 12
7	462.7125	FRS & GMRS 7	18	462.6250	GMRS 9
8	467.5625	FRS 8	19	462.6500	GMRS 13
9	467.5875	FRS 9	20	462.6750	GMRS 10
10	467.6125	FRS 10	21	462.7000	GMRS 14
11	467.6375	FRS 11	22	462.7250	GMRS 15

CTCSS Chart (Hz)

Code	Freq.	Code	Freq.
oFF	OFF	20	131.8
1	67.0	21	136.5
2	71.9	22	141.3
3	74.4	23	146.2
4	77.0	24	151.4
5	79.7	25	156.7
6	82.5	26	162.2
7	85.4	27	167.9
8	88.5	28	173.8
9	91.5	29	179.9
10	94.8	30	186.2
11	97.4	31	192.8
12	100.0	32	203.5
13	103.5	33	210.7
14	107.2	34	218.1
15	110.9	35	225.7

16	114.8	36	233.6
17	118.8	37	241.8
18	123.0	38	250.3
19	127.3		

DCS Code List

Tone No.	Octal Code	Tone No.	Octal Code	Tone No.	Octal Code
39	023	74	251	109	631
40	025	75	261	110	632
41	026	76	263	111	654
42	031	77	265	112	662
43	032	78	271	113	664
44	043	79	306	114	703
45	047	80	311	115	712
46	051	81	315	116	723
47	054	82	331	117	731
48	065	83	343	118	732
49	071	84	346	119	734
50	072	85	351	120	743
51	073	86	364	121	754
52	074	87	365	122	036
53	114	88	371	123	053
54	115	89	411	124	122
55	116	90	412	125	145
56	125	91	413	126	212
57	131	92	423	127	225
58	132	93	431	128	246
59	134	94	432	129	252
60	143	95	445	130	255
61	152	96	464	131	266
62	155	97	465	132	274
63	156	98	466	133	325
64	162	99	503	134	332
65	165	100	506	135	356
66	172	101	516	136	446
67	174	102	532	137	452
68	205	103	546	138	454
69	223	104	565	139	455
70	226	105	606	140	462
71	243	106	612	141	523
72	244	107	624	142	526
73	245	108	627		

REGULATORY INFORMATION

This device complies with Part 15 of the FCC Rules. Operation is subject to the following two conditions:
 (1) This device may not cause harmful interference.
 (2) This device must accept any interference received, including interference that may cause undesired operation.

Important: Changes or modifications to this unit not expressly approved by Uniden could void your authority to operate this unit. Your radio is set up to transmit a regulated signal on an assigned frequency. It is against the law to alter or adjust the settings inside the radio to exceed those limitations. Any adjustments to your radio must be made by qualified technicians.
To be safe and sure:
 • Never open your radio's case.
 • Never change or replace anything in your radio except the batteries.

Your radio might cause TV or radio interference even when it is operating properly. To determine whether your radio is causing the interference, turn it off. If the interference goes away, your radio is causing it. Try to eliminate the interference by moving your radio away from the receiver. If you cannot eliminate the interference, the FCC requires that you stop using the radio.

Hazardous Environments: Do not operate the radio in hazardous environments. Explosion or fire may result. Do not operate the radio near unshielded electrical blasting caps. Under certain conditions, radios can interfere with blasting operations and may cause an explosion. Turn your radio OFF to prevent accidental transmission when in a blasting area or in areas posted: "Turn off two-way radio." Construction crews often use remote control RF devices to set off explosives.

Care and Safety: To clean the radio, use a soft cloth dampened with water. Do not use cleaners or solvents because they can harm the body of the unit and leak inside, causing permanent damage. Use a dry, lint-free cloth to clean the battery contacts. Do not submerge the unit in water. If the unit gets wet, turn it off and remove the batteries immediately. Dry the battery compartment with a soft cloth to minimize potential water damage. Leave the battery compartment cover off overnight to ensure complete drying. Do not use the radio until the unit is completely dry.

RF EXPOSURE INFORMATION

WARNING! Read this information before using the radio. In August 1996 the Federal Communications Commission (FCC) of the United States with its action in Report and Order FCC 96-326 adopted an updated safety standard for human exposure to radio frequency electromagnetic energy emitted by FCC regulated transmitters.

Those guidelines are consistent with the safety standard previously set by both U.S. and international standards bodies. The design of the radio complies with the FCC guidelines and these international standards. Never allow children to operate the radio without adult supervision and the knowledge of the following guidelines.
WARNING! It is up to the user to properly operate this radio transmitter to insure safe operation. Please adhere to the following:
 Use only the supplied or an approved antenna. Unauthorized antennas, modifications, or attachments could impair call quality, damage the radio, or result in violation of FCC regulations. Do not use the radio with a damaged antenna. If a damaged antenna comes into contact with the skin, a minor burn may result. Please contact your local dealer for a replacement antenna.

Body-worn Operation
 This device was tested for typical body-worn operations using the supplied belt-clip. To maintain compliance with FCC RF exposure requirements, Body-worn operations are restricted to the supplied belt-clip. For hand-held operation, the radio should be held 1 inch from the user's face. The use of accessories that do not satisfy these requirements may not comply with FCC RF exposure requirements and should be avoided. For more information about RF exposure, please visit the FCC web site at www.fcc.gov.

ONE YEAR LIMITED WARRANTY

Important: Evidence of original purchase is required for warranty service. WARRANTY: UNIDEN AMERICA CORPORATION ("Uniden") ELEMENTS OF WARRANTY: Uniden warrants, for one year, to the original retail owner, this Uniden Product to be free from defects in materials and craftsmanship with only the limitations or exclusions set out below. WARRANTY DURATION: This warranty to the original user shall terminate and be of no further effect 12 months after the date of original retail sale. The warranty is invalid if the Product is: (A) damaged or not maintained as reasonable or necessary, (B) modified, altered, or used as part of any conversion kits, sub-assemblies, or any configurations not sold by Uniden, (C) improperly installed, (D) serviced or repaired by someone other than an authorized Uniden service center for a defect or malfunction covered by this warranty, (E) used in any conjunction with equipment or parts or as part of any system not manufactured by Uniden, or (F) installed or programmed by anyone other than as detailed by the owner's manual for this product. STATEMENT OF REMEDY: In the event that the product does not conform to this warranty at any time while this warranty is in effect, warrantor will either, at its option, repair or replace the defective unit and return it to you without charge for parts, service, or any other cost (except shipping and handling) incurred by warrantor or its representatives in connection with the performance of this warranty. Warrantor, at its option, may replace the unit with a new or refurbished unit. THE LIMITED WARRANTY SET FORTH ABOVE IS THE SOLE AND ENTIRE WARRANTY PERTAINING TO THE PRODUCT AND IS IN LIEU OF AND EXCLUDES ALL OTHER WARRANTIES OF ANY NATURE WHATSOEVER, WHETHER EXPRESS, IMPLIED OR ARISING BY OPERATION OF LAW, INCLUDING, BUT NOT LIMITED TO ANY IMPLIED WARRANTIES OF MERCHANTABILITY OR FITNESS FOR A PARTICULAR PURPOSE. THIS WARRANTY DOES NOT COVER OR PROVIDE FOR THE REIMBURSEMENT OVERPAYMENT OF INCIDENTAL OR CONSEQUENTIAL DAMAGES. Some states do not allow this exclusion or limitation of incidental or consequential damages so the above limitation or exclusion may not apply to you. LEGAL REMEDIES: This warranty gives you specific legal rights, and you may also have other rights which vary from state to state. This warranty

is void outside the United States of America and Canada. PROCEDURE FOR OBTAINING PERFORMANCE OF WARRANTY: If, after following the instructions in the owner's manual you are certain that the Product is defective, pack the Product carefully (preferably in its original packaging). Disconnect the battery from the Product and separately secure the battery in its own separate packaging within the shipping carton. The Product should include all parts and accessories originally packaged with the Product. Include evidence of original purchase and a note describing the defect that has caused you to return it. The Product should be shipped freight prepaid, by traceable means, to warrantor at:

Uniden America Service
 4700 Amon Carter Blvd. Fort Worth, TX 76155
 (800) 297-1023, 7:00 a.m. to 7:00 p.m. CST,
 Monday through Friday: 9:00 a.m. to 5:00 p.m. CST,
 Saturday, Sunday and Holidays (except Thanksgiving and Christmas).
 Covered under one or more of the following U.S. patents:
 4,684,870 4,734,049 5,203,015 5,214,789
 5,491,745 5,497,508 5,517,677 5,557,606
 5,574,994 5,610,946 5,613,201 5,625,870
 5,627,876 5,628,059 5,634,196 5,634,205
 5,678,176 5,697,096 5,717,312 5,722,070
 5,787,345 5,901,341 6,021,326 6,084,861
 6,163,691 6,195,415 6,353,730 6,839,550
 6,980,770



© 2007 Uniden America Corporation
 All rights reserved Printed in China
 UTZZ01028ZA(0)



Thank you for completing this questionnaire. Your answers will help us and other companies reach you with offers that may interest you. If you prefer not to receive these offers, please check here [].

PLEASE FOLD AND SEAL WITH TAPE BEFORE MAILING. DO NOT STAPLE.

Free Manuals Download Website

<http://myh66.com>

<http://usermanuals.us>

<http://www.somanuals.com>

<http://www.4manuals.cc>

<http://www.manual-lib.com>

<http://www.404manual.com>

<http://www.luxmanual.com>

<http://aubethermostatmanual.com>

Golf course search by state

<http://golfingnear.com>

Email search by domain

<http://emailbydomain.com>

Auto manuals search

<http://auto.somanuals.com>

TV manuals search

<http://tv.somanuals.com>