

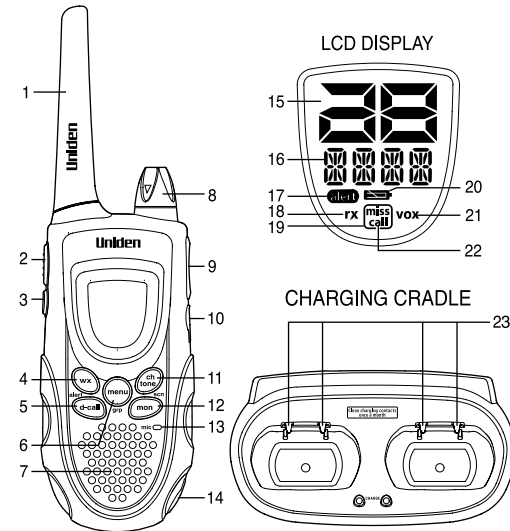
GMR2889-2CK

- 15 GMRS / 7 FRS Channels
- 142 Privacy Codes (CTCSS Tone and DCS Code)
- Up to 28 Mile Range*
- Direct Call
- 143 Group Codes
- Silent Mode
- Internal VOX Circuitry
- 10 Selectable Call/Ring Tone Alerts
- Backlit LCD Display
- Optional Headset Accessories
- Headset Jack
- Roger Beep
- Power Boost Button for Maximum Range
- All Call
- Auto Channel Change Call
- Battery Charger
- Battery Level Meter
- Channel Monitor
- Channel Scan
- Group Scan
- Keypad Lock
- NOAA Emergency / Weather Channels
- Emergency Weather Alert
- DC IN 9V Jack



*Range may vary depending on environmental and/or topographical conditions.

GMR2889-2CK RADIO



- | | |
|-----------------------------|----------------------------|
| 1 Antenna | 13 Microphone |
| 2 PTT (Push-To-Talk) Button | 14 DC IN 9V |
| 3 Power Boost Button | 15 Channel Indicator |
| 4 Weather/Alert Key | 16 Sub Code Indicator |
| 5 D-call Key | 17 Alert Indicator |
| 6 Menu/Group Key | 18 Receive Indicator |
| 7 Speaker | 19 Miss Indicator |
| 8 Volume Setting Knob | 20 Battery Level Indicator |
| 9 Up/Down Button | 21 VOX Indicator |
| 10 Headset Jack | 22 Call Indicator |
| 11 Channel Tone/Scan Key | 23 Charging Contacts |
| 12 Monitor Key | |

Congratulations on your purchase of the Uniden GMR2889-2CK (General Mobile Radio Service) radio. This lightweight, palm-sized, radio is a state-of-the-art device, equipped with many valuable features. Use it at sporting events, to stay in contact with family and friends, hiking, skiing, outdoors, or in a neighborhood watch for vital communication.

PACKAGE CONTENTS

Your package contains two radios, two rechargeable NiMH battery packs (#BT-1013), one AC adapter (#AD-314), one charging cradle (#RC1281), two belt clips and this reference guide. You can operate the unit using the rechargeable NiMH battery pack or 4 AAA alkaline batteries (not included).

To order the following optional accessories, visit our web site @www.uniden.com or call 1-800-554-3988 during business hours.

Use only Uniden accessories.

- NiMH Battery Pack - #BT-1013
- Charging Cradle - #RC1281
- VOX Headset - #HS910/HS915/ZA-133
- AC Adapter - #AD-314
- DC Adapter - #DC-1002

GMRS LICENSE

The radio operates on the General Mobile Radio Service (GMRS) frequencies when using Channels 1-7 and channels 15-22. You must have a GMRS license issued by the Federal Communications Commission to legally use these channels. For licensing information and application forms, visit the FCC online at: www.fcc.gov/wtb/uls or call the FCC hotline at 1-800-418-3676. If you have any questions, you can contact the FCC direct at 1-888-225-5322. No license is required for operation on channels 8-14 or operation on any channel in Canada.

INSTALL THE BATTERY

Your radio uses a supplied NiMH battery pack or 4 AAA alkaline batteries (not included).

To install the NiMH battery pack:

- 1) Make sure the radio is off.
- 2) Remove the battery compartment door by pressing the tab at the bottom of the compartment door, and remove the cover.

- 3) Put the NiMH battery pack in the battery compartment applying the battery contacts to the lower charge contacts. Be sure to follow the instructions written on the battery pack's label. Installing the battery pack incorrectly will prevent the unit from operating.
- 4) Replace the battery compartment door.

USING THE RADIO BATTERY LEVEL AND LOW BATTERY ALERT

This radio has a battery level meter that indicates the status of the batteries. When the battery level is low, **BATT** appears and the battery level meter icon flashes. Recharge the NiMH battery pack immediately or, if you are using the alkaline batteries, replace the alkaline batteries in order to continue using the radio.

Warning! To avoid the risk of personal injury or property damage from fire or electrical shock, only use the Uniden accessories specifically designated for this product.

USING THE RADIO

In order to get the most out of your new radio, read this reference guide completely before attempting to operate the unit.

Turning the Radio On and Adjusting the Volume

- 1) Rotate **vol/off** clockwise until it clicks, and set volume to a comfortable listening level.
- 2) To turn off the radio, rotate **vol/off** counterclockwise until it clicks.

Adjusting the Sound (Key Beeps)

Your radio sounds a beep each time you press a key (except for **PTT** and **Power boost**). To turn this sound off, press and hold **d-call** while turning on the radio. Repeat this step to turn the sound on.

Charge by Using the Radio

- 1) Connect the DC adapter's plug to the radios DC IN 9V jack and plug other end into your vehicle's accessory power outlet.
- 2) Charge the battery pack for 16 hours until the battery indicator stops flashing.

Using the Charging Cradle

- 1) Connect the adapter's plug to DC IN 9V jack of the charging cradle and plug the other end into an AC outlet.
- 2) Set the charging cradle on the desk or tabletop, and place the radio in the charging cradle with the keypad facing forward.
- 3) Make sure that the LED illuminates. Charge the battery pack for 16 hours and remove the radio from the charging cradle after charging.

Note:

- For charging batteries directly without the cradle, use only the #DC-1002 Cigarette Lighter Adapter code, available from WWW.Uniden.com. Other power cords could damage your radio.
- Use only the supplied battery and AC adapter or approved DC adapter from Uniden.
- Charge time may vary depending on the battery life remaining.

Warning! The range of channels 1-7 and 15-22 can be boosted only when you use NiMH batteries. When you press **Power boost** while using alkaline batteries, the range is not boosted.

SETTING UP GROUP MODE

In order to use Group Mode you need to initialize a couple of settings in your radio:

- Set the radio to Group Mode
- Set a Group Code
- Set a Ring Tone
- Set a Unit Number
- Set a "Nickname"

Setting the Radio to Group Mode

To set the radio to Group Mode, which enables Direct Call, Auto Channel Change and All Call, press and hold **menu/grp** for 2 seconds. The radio displays **oF GRUP**. Press **▲** to display **on GRUP**, then press **menu/grp** to advance to setting the Group Code.

Note: In group mode, you cannot receive transmissions from other radios unless they are also set to the same channel and group code.

Setting the Group Code

Set the group code for your radio group from 0-142. Everyone in your group must select the same group code in order to communicate with each other.

- 1) Press and hold **menu/grp** for 2 seconds. The radio displays **on GRUP**.
- 2) Tap **menu/grp**. The radio displays **Gnnn** (n is a number). Press **▲** or **▼** to select the group number.
- 3) Press **PTT** or **Power boost** to return to normal operation, or press **menu/grp** to continue to the next section.

Setting the Ring Tone

This setting selects the tone you hear when someone places a direct call to you.

- 1) Press and hold **menu/grp** for 2 seconds, then tap **menu/grp** two times until the radio displays **n RING**.
- 2) Press **▲** or **▼** to select the desired ring sound. With each press, you hear a sample of the selected tone.
- 3) Press **PTT** or **Power boost** to return to normal operation, or press **menu/grp** to continue to the next section.

Setting the Unit Number

Each radio in your group needs to be set to a unique unit number, from 1-16.

- 1) Press and hold **menu/grp** for 2 seconds, then tap **menu/grp** three times until the radio displays **n - - - -** (or your current nickname).
- 2) Press **▲** or **▼** to select the desired unit number.
- 3) Press **menu/grp** to continue to the next section.

Setting Your Nickname

Your nickname appears on other units' displays when you make a All Call or direct call. This is also the name that appears on other radio displays when someone wants to make a direct call to you. When no nickname is set, the unit number appears.

- 1) Press and hold **menu/grp** for 2 seconds, then tap **menu/grp** four times until the radio displays **n - - - -** (or your current nickname) with the first place in the nickname flashing.
- 2) Press **▲** or **▼** to select the letter, then **ch tone/scn** to advance to the next letter until you have entered your nickname.
- 3) Press **menu/grp** to confirm the setting and exit the group settings menu.

Using Group Mode

Group mode lets you make direct calls to other people in your group without alerting the entire group and also lets you quickly change everyone in your group to another channel from a single radio. Before using group mode, follow the instructions in "Setting Up Group Mode" on every radio in your group. Then, to record the unit ID and everyone's nickname in every radio, send a call to "All" from each radio one time (see "Sending a Direct Call").

Sending a Direct Call

Direct Call lets you call everyone in your group at once, or call a single person in your group without anyone else in the group knowing. It is like a "speed dial" directly to the person(s) you want to talk to.

To call everyone in your group, press **d-call** in group mode. The radio flashes **ALL**. Then, press **d-call** again. Everyone in your group receives a call "chirp" for about 3 seconds. When the chirp ends, begin your conversation.

Note: When you make a direct call to "all," your radio also sends out your nickname or ID so that it will show up in the call list for everyone in your group.

To call one person in your group, without having other people know, press **d-call** in group mode. Then, use **▲** or **▼** to select the person you want to call and press **d-call** again. Your radio sounds tones for 3 seconds as it sends the call. When the selected person answers, you can begin your conversation. You can silence the call tones at any time by pressing **PTT** or **Power boost**.

Your conversation remains private between you and the person you called until 15 seconds after your last conversation. Then, your radio automatically exits private mode.

Automatically Changing Channels

Auto Channel Change lets you easily coordinate a channel change for everyone in your group. You might want to do this when you find you are getting a lot of interference on your current channel. Or, you can use this feature to change from a low-power channel (8-14) to one of the high-powered channels (1-7, 15-22) if you need more range (or to a low-power channel if you need longer battery life).

To start an auto channel change, on any radio in the group tap **ch tone/scn** twice. The current channel and **CHCX** appears. Use **▲** or **▼** to select the target channel. You can check whether the selected channel is clear. Then press **d-call**. Your radio chirps for about 10 seconds while it sends out the channel change signal. As each radio receives the channel change signal, it chirps once, then changes to the new channel.

To ensure all radios make it to the new channel, we recommend you:

- Make sure you are in an open environment, where the radio will get the best range.
- Optimize range during the channel change signal by raising the radio over your head to give the best possible height.
- Do a "roll call" on the new channel after the move to be sure no one was left behind. If you missed someone, return to the previous channel and issue the signal again.

USING THE RADIO IN STANDARD MODE

Use the radio in standard (not group) mode when you need to be able to communicate with radios that do not have the group feature.

Choosing a Privacy Code

You can select a Privacy Code from 1-142 for each channel. **oFF** (OFF) indicates no Privacy code selected and your radio can receive a signal regardless of the code settings of the transmitting radio.

- 1) Press **ch tone/scn** twice. The Privacy code indicator flashes.
- 2) Press **▲** or **▼** to increase or decrease the code. You can also select **oFF**.
- 3) Press **ch tone/scn** again.

Note: Only tones 1-38 are standard across radio brands. Other settings might differ from brand to brand. See the specifications for the specific tones used for each setting.

Channel Scan Feature

Your radio has a channel scan feature that lets you easily scan all 22 channels. When an active channel is detected, the radio pauses on that channel until the channel is clear. Then after a 2-second delay, the radio resumes scanning. Pressing **PTT** or **Power boost** while the scan is paused on a channel lets you transmit on that channel.

To turn on channel scan:

Press and hold **ch tone/scn** until **SCAN** appears. The channel number changes as the radio rapidly cycles through the channels.

To turn off channel scan:

Press **d-call**, **PTT**, **Power boost**, **wx/alert** or **menu/grp**, or press and hold **ch tone/scn** for 2 seconds.

Talking on Your Radio

To talk to others using the radio:

- 1) Press and hold **PTT** or **Power boost** and speak in a clear, normal voice about 2-3 inches away from the microphone. While you transmit, **TXHI** or **TXLO** appears on the display according to the type of channel. To avoid cutting off the first part of your transmission, pause slightly after pressing **PTT** or **Power boost** before you start talking.
- 2) When you finish speaking, release **PTT** or **Power boost**. You can now receive incoming calls. While receiving, **rx** appears on the display.

Note: When you press **Power boost**, **BOOS** appear on the display. The radio transmits at maximum power when a GMRS channel is selected. If **Power boost** is continuously pressed, 1 minute after you start pressing **Power boost** the transmission stops and you hear a boost timeout error tone.

Monitor Mode Feature

Your radio lets you listen for weak signals on the current channel at the press of a key.

To turn on the Monitor Mode:

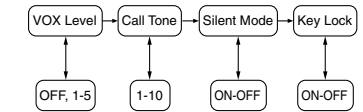
- For brief listening, press **mon**. **MON** appears and **rx** flashes.
- Press and hold **mon** for 2 seconds until two beeps sound for continuous listening. The receiver circuit stays open, so you hear both the noise and weak signals.

To turn off Monitor Mode:

Press **mon** to return to the previous mode. **MON** and **rx** disappear.

Navigating through the Normal Menu

To access the advanced features of your radio has a Menu function.



- 1) To enter the menu, press **menu/grp**.
- 2) Additional presses of **menu/grp** advances you through the menu. After the last menu item, the radio exits to the previous mode.
- 3) Other ways to exit the Menu function are:
 - a. Press **PTT**, **Power boost**, **mon**, **d-call**, **wx/alert**, or **ch tone/scn**.
 - b. Wait 10 seconds until the radio automatically returns to the previous mode.

Voice Operated Transmission

Your radio has a user selectable Voice Operated Transmitter (VOX) that can be used for automatic voice transmissions. The VOX feature is designed to be used with a headset with a microphone. Transmission is starts when you speak into the microphone instead of pushing the **PTT** and **Power boost** button.

To select the VOX level:

- 1) Enter the menu. **VOX** appears and the current setting flashes. The current level (OFF, 1-5) flashes. Level **oF** (OFF) disables VOX, while levels 1-5 set the sensitivity of the VOX circuit.
- 2) Press either **▲** or **▼** to set the desired VOX sensitivity level. Use level 1 for increased sensitivity to voice in normally quiet environments, and use a higher level to reduce undesired activation in very noisy environments.

Transmitting a Call Tone

Your radio is equipped with 10 selectable call tones that are transmitted when you press **d-call** in standard mode.

To select a call tone:

- 1) Enter the menu. Advance through the menu until **CALL** appears. The current call tone number (1-10) flashes.
- 2) Press **▲** or **▼** to increase or decrease the number to the desired call tone. Each tone will be heard through the speaker.

To transmit the selected call tone, press **d-call**. The selected tone is transmitted for a fixed length of time. Call Tone is cancelled if you press **PTT** or **Power boost**.

Setting Silent Mode

When you turn on the silent mode, all incoming calls are muted: the radio blinks the display backlight, the channel indicator, **SLNT** and **call** to alert you to an incoming call. If you do not respond to the call within 15 seconds, the backlight turns off, and the **call** will blink until there is no signal. Silent mode is disabled for 15 seconds when you transmit, receive, or press any other button.

To set the silent mode:

- 1) Enter the menu. Advance through the menu until the **SLNT** appears. The current setting flashes.
- 2) Press **▲** to display **on SLNT**.

Note: To prevent unwanted silent alerts, be sure to use a Privacy code or group code whenever you use the Silent mode feature. You can hear the received voice when you turn on channel scan and an active channel is detected even during silent mode.

Missed Call Alerts

If you receive an incoming call while silent mode is on and do not respond, the radio will turn on the Missed Call icon. If you are using the Group Mode, the radio will also indicate the person who made the call.

Key Lock

To lock the keypad:

- 1) Enter the menu. Advance through the menu until **LOCK** appears. The radio displays **oF LOCK**.
- 2) To switch Key Lock from **oF** (OFF) to **on** (ON), press **▲**.
- 3) To confirm the setting, press **menu/grp**. The radio returns to the current mode.

Note: If you exit the setting mode before confirming your selection by pressing **menu/grp**, Key Lock is set to **oF** (OFF).

To unlock the keypad:

- 1) Turn off the radio by rotating **vol/off** counterclockwise until it clicks.
- 2) Turn on the radio again by rotating **vol/off** clockwise until it clicks. The keypad is unlocked.

Automatic Power Save Feature

Your radio has a unique circuit designed to dramatically extend the life of the batteries. If there is no transmission nor an incoming call within 3 seconds, your radio switches to the Power Save mode. The radio is still able to receive transmissions in this mode.

LCD Backlight

The LCD Backlight automatically turns on when any key (except the **PTT** and **Power boost** button) is pressed. The LCD remains lit for 10 seconds before turning off.

Roger Beep

Roger beep is a beep that is sent to notify the end of transmission (both PTT and VOX transmission). You can hear the roger beep can be heard through the speaker when both roger beep and key beep are on. When roger beep is on and key beep is off, you do not hear the roger beep, but it is transmitted to your party.

To turn the roger beep OFF, press and hold ▲ while turning ON the radio. Repeat this step to turn the beep ON.

USING THE WEATHER RADIO

Your radio can receive weather broadcasts from the NOAA National Weather Service. When in the Weather Radio Alert mode, the system functions as it does in standard mode but also monitors the selected weather channel for alerts when not communicating. While using the Weather Radio, you are not able to receive GMRS communications.

- 1) To turn on the Weather Radio Broadcast mode, press **wx/alert**. **WX** appears.
- 2) Press **ch tone/scn**, then press ▲ or ▼ to increase or decrease the number to the desired Weather Channel.
- 3) To exit the Weather Radio Broadcast mode, press **wx/alert**. **WX** disappears.

- To change the channel continuously, press and hold ▲ or ▼ for more than 1 second.
- When in the Weather Radio Broadcast mode, you can only set the Key Lock from the Menu mode.

Choosing an Emergency/Weather Channel

There are 7 NOAA channel frequencies available and these frequencies are common between the US and Canada. You need to know what frequency is being transmitted in your location.

- 1) Press and hold **wx/alert**. **alert** appears.
- 2) When the unit receives a warning signal, it beeps for 5 seconds. **alert** and channel indicator blink.
- 3) To turn off Weather Alert, press and hold **wx/alert**. **alert** disappears.

- When Weather Alert is activated, the highest priority is given to this function. It checks the weather alert signals every 7 seconds. When the unit finds a warning signal, it switches to the warning receive mode automatically.
- Weather Alert is activated even if key beep is turned off.

NOAA Weather Radio Frequency List
 Channel 1 162.550 MHz Channel 5 162.450 MHz
 Channel 2 162.400 MHz Channel 6 162.500 MHz
 Channel 3 162.475 MHz Channel 7 162.525 MHz
 Channel 4 162.425 MHz

SPECIFICATIONS

| | |
|---------------------|--|
| Channels | 15 GMRS/7 FRS/7 Weather |
| Sub Codes | 38 Sub-Audible Tones 104 DCS Codes |
| Operating Frequency | |
| GMRS/FRS: | 462.5500 - 467.7125 MHz |
| WX: | 162.4000 - 162.5500 MHz |
| Power Source | NiMH Battery Pack (BT-1013) or 4 AAA Alkaline Batteries |
| Range Channel | 1-7 up to 18 miles (28 miles with Power boost button) Channel 8-14 up to 5 miles Channel 15-22 up to 18 miles (28 miles with Power boost button) |
| Battery Life | 15 Hours typ. - NiMH Battery Pack (5/5/90 duty cycle) |

Frequency Chart

| Ch. | Freq. [MHz] | Cross Ref. | Ch. | Freq. [MHz] | Cross Ref. |
|-----|-------------|--------------|-----|-------------|------------|
| 1 | 462.5625 | FRS & GMRS 1 | 12 | 467.6625 | FRS 12 |
| 2 | 462.5875 | FRS & GMRS 2 | 13 | 467.6875 | FRS 13 |
| 3 | 462.6125 | FRS & GMRS 3 | 14 | 467.7125 | FRS 14 |
| 4 | 462.6375 | FRS & GMRS 4 | 15 | 462.5500 | GMRS 11 |
| 5 | 462.6625 | FRS & GMRS 5 | 16 | 462.5750 | GMRS 8 |
| 6 | 462.6875 | FRS & GMRS 6 | 17 | 462.6000 | GMRS 12 |
| 7 | 462.7125 | FRS & GMRS 7 | 18 | 462.6250 | GMRS 9 |
| 8 | 467.5625 | FRS 8 | 19 | 462.6500 | GMRS 13 |
| 9 | 467.5875 | FRS 9 | 20 | 462.6750 | GMRS 10 |
| 10 | 467.6125 | FRS 10 | 21 | 462.7000 | GMRS 14 |
| 11 | 467.6375 | FRS 11 | 22 | 462.7250 | GMRS 15 |

CTCSS Chart (Hz)

| Code | Freq. | Code | Freq. |
|------|-------|------|-------|
| oFF | oFF | 20 | 131.8 |
| 1 | 67.0 | 21 | 136.5 |
| 2 | 71.9 | 22 | 141.3 |
| 3 | 74.4 | 23 | 146.2 |
| 4 | 77.0 | 24 | 151.4 |
| 5 | 79.7 | 25 | 156.7 |
| 6 | 82.5 | 26 | 162.2 |
| 7 | 85.4 | 27 | 167.9 |
| 8 | 88.5 | 28 | 173.8 |
| 9 | 91.5 | 29 | 179.9 |
| 10 | 94.8 | 30 | 186.2 |
| 11 | 97.4 | 31 | 192.8 |
| 12 | 100.0 | 32 | 203.5 |
| 13 | 103.5 | 33 | 210.7 |
| 14 | 107.2 | 34 | 218.1 |
| 15 | 110.9 | 35 | 225.7 |

REGULATORY INFORMATION

This device complies with Part 15 of the FCC Rules. Operation is subject to the following two conditions:

- (1) This device may not cause harmful interference.
- (2) This device must accept any interference received, including interference that may cause undesired operation.

Important: Changes or modifications to this unit not expressly approved by Uniden could void your authority to operate this unit. Your radio is set up to transmit a regulated signal on an assigned frequency. It is against the law to alter or adjust the settings inside the radio to exceed those limitations. Any adjustments to your radio must be made by qualified technicians.

To be safe and sure:

- Never open your radio's case.
- Never change or replace anything in your radio except the batteries.

Your radio might cause TV or radio interference even when it is operating properly. To determine whether your radio is causing the interference, turn it off. If the interference goes away, your radio is causing it. Try to eliminate the interference by moving your radio away from the receiver. If you cannot eliminate the interference, the FCC requires that you stop using the radio.

Hazardous Environments: Do not operate the radio in hazardous environments. Explosion or fire may result. Do not operate the radio near unshielded electrical blasting caps.

Under certain conditions, radios can interfere with blasting operations and may cause an explosion.

Turn your radio OFF to prevent accidental transmission when in a blasting area or in areas posted: "Turn off two-way radio." Construction crews often use remote control RF devices to set off explosives.

Care and Safety: To clean the radio, use a soft cloth dampened with water. Do not use cleaners or solvents because they can harm the body of the unit and leak inside, causing permanent damage. Use a dry, lint-free cloth to clean the battery contacts. Do not submerge the unit in water. If the unit gets wet, turn it off and remove the batteries immediately.

Dry the battery compartment with a soft cloth to minimize potential water damage. Leave the battery compartment cover off overnight to ensure complete drying. Do not use the radio until the unit is completely dry.

| | | | |
|----|-------|----|-------|
| 16 | 114.8 | 36 | 233.6 |
| 17 | 118.8 | 37 | 241.8 |
| 18 | 123.0 | 38 | 250.3 |
| 19 | 127.3 | | |

DCS Code List

| Tone No. | Octal Code | Tone No. | Octal Code | Tone No. | Octal Code |
|----------|------------|----------|------------|----------|------------|
| 39 | 023 | 74 | 251 | 109 | 631 |
| 40 | 025 | 75 | 261 | 110 | 632 |
| 41 | 026 | 76 | 263 | 111 | 654 |
| 42 | 031 | 77 | 265 | 112 | 662 |
| 43 | 032 | 78 | 271 | 113 | 664 |
| 44 | 043 | 79 | 306 | 114 | 703 |
| 45 | 047 | 80 | 311 | 115 | 712 |
| 46 | 051 | 81 | 315 | 116 | 723 |
| 47 | 054 | 82 | 331 | 117 | 731 |
| 48 | 065 | 83 | 343 | 118 | 732 |
| 49 | 071 | 84 | 346 | 119 | 734 |
| 50 | 072 | 85 | 351 | 120 | 743 |
| 51 | 073 | 86 | 364 | 121 | 754 |
| 52 | 074 | 87 | 365 | 122 | 036 |
| 53 | 114 | 88 | 371 | 123 | 053 |
| 54 | 115 | 89 | 411 | 124 | 122 |
| 55 | 116 | 90 | 412 | 125 | 145 |
| 56 | 125 | 91 | 413 | 126 | 212 |
| 57 | 131 | 92 | 423 | 127 | 225 |
| 58 | 132 | 93 | 431 | 128 | 246 |
| 59 | 134 | 94 | 432 | 129 | 252 |
| 60 | 143 | 95 | 445 | 130 | 255 |
| 61 | 152 | 96 | 464 | 131 | 266 |
| 62 | 155 | 97 | 465 | 132 | 274 |
| 63 | 156 | 98 | 466 | 133 | 325 |
| 64 | 162 | 99 | 503 | 134 | 332 |
| 65 | 165 | 100 | 506 | 135 | 356 |
| 66 | 172 | 101 | 516 | 136 | 446 |
| 67 | 174 | 102 | 532 | 137 | 452 |
| 68 | 205 | 103 | 546 | 138 | 454 |
| 69 | 223 | 104 | 565 | 139 | 455 |
| 70 | 226 | 105 | 606 | 140 | 462 |
| 71 | 243 | 106 | 612 | 141 | 523 |
| 72 | 244 | 107 | 624 | 142 | 526 |
| 73 | 245 | 108 | 627 | | |

RF EXPOSURE INFORMATION

WARNING! Read this information before using the radio. In August 1996 the Federal Communications Commission (FCC) of the United States with its action in Report and Order FCC 96-326 adopted an updated safety standard for human exposure to radio frequency electromagnetic energy emitted by FCC regulated transmitters.

Those guidelines are consistent with the safety standard previously set by both U.S. and international standards bodies. The design of the radio complies with the FCC guidelines and these international standards.

Never allow children to operate the radio without adult supervision and the knowledge of the following guidelines.

WARNING! It is up to the user to properly operate this radio transmitter to insure safe operation. Please adhere to the following:

Use only the supplied or an approved antenna. Unauthorized antennas, modifications, or attachments could impair call quality, damage the radio, or result in violation of FCC regulations. Do not use the radio with a damaged antenna. If a damaged antenna comes into contact with the skin, a minor burn may result. Please contact your local dealer for a replacement antenna.

Body-worn Operation

This device was tested for typical body-worn operations using the supplied belt-clip. To maintain compliance with FCC RF exposure requirements, Body-worn operations are restricted to the supplied belt-clip.

For hand-held operation, the radio should be held 1 inch from the user's face. The use of accessories that do not satisfy these requirements may not comply with FCC RF exposure requirements and should be avoided.

For more information about RF exposure, please visit the FCC web site at www.fcc.gov.

ONE YEAR LIMITED WARRANTY

Important: Evidence of original purchase is required for warranty service. WARRANTOR: UNIDEN AMERICA CORPORATION ("Uniden") ELEMENTS OF WARRANTY: Uniden warrants, for one year, to the original retail owner, this Uniden Product to be free from defects in materials and craftsmanship with only the limitations or exclusions set out below.

WARRANTY DURATION: This warranty to the original user shall terminate and be of no further effect 12 months after the date of original retail sale. The warranty is invalid if the Product is: (A) damaged or not maintained as reasonable or necessary, (B) modified, altered, or used as part of any conversion kits, sub-assemblies, or any configurations not sold by Uniden, (C) improperly installed, (D) serviced or repaired by someone other than an authorized Uniden service center for a defect or malfunction covered by this warranty, (E) used in any conjunction with equipment or parts or as part of any system not manufactured by Uniden, or (F) installed or programmed by anyone other than as detailed by the owner's manual for this product.

STATEMENT OF REMEDY: In the event that the product does not conform to this warranty at any time while this warranty is in effect, warrantor will either, at its option, repair or replace the defective unit and return it to you without charge for parts, service, or any other cost (except shipping and handling) incurred by warrantor or its representatives in connection with the performance of this warranty. Warrantor, at its option, may replace the unit with a new or refurbished unit. THE LIMITED WARRANTY SET FORTH ABOVE IS THE SOLE AND ENTIRE WARRANTY PERTAINING TO THE PRODUCT AND IS IN LIEU OF AND EXCLUDES ALL OTHER WARRANTIES OF ANY NATURE WHATSOEVER, WHETHER EXPRESS, IMPLIED OR ARISING BY OPERATION OF LAW, INCLUDING, BUT NOT LIMITED TO ANY IMPLIED WARRANTIES OF MERCHANTABILITY OR FITNESS FOR A PARTICULAR PURPOSE. THIS WARRANTY DOES NOT COVER OR PROVIDE FOR THE REIMBURSEMENT OVERPAYMENT OF INCIDENTAL OR CONSEQUENTIAL DAMAGES.

Some states do not allow this exclusion or limitation of incidental or consequential damages so the above limitation or exclusion may not apply to you. LEGAL REMEDIES: This warranty gives you specific legal rights, and you may also have other rights which vary from state to state. This warranty is void outside the United States of America and Canada. PROCEDURE FOR OBTAINING PERFORMANCE OF WARRANTY: If, after following the instructions in the owner's manual you are certain that the Product is defective, pack the Product carefully (preferably in its original packaging). Disconnect the battery from the Product and separately secure the battery in its own separate packaging within the shipping carton. The Product should include all parts and accessories originally packaged with the Product. Include evidence of original purchase and a note describing the defect that has caused you to return it. The Product should be shipped freight prepaid, by traceable means, to warrantor at:

Uniden America Service
4700 Amon Carter Blvd. Fort Worth, TX 76155
(800) 297-1023 during regular business hours
(CST)

(See www.uniden.com for current hours of operation.)

Covered under one or more of the following U.S. patents:

5,203,015 5,214,789 5,491,745 5,497,508
5,517,677 5,557,606 5,574,994 5,610,946
5,613,201 5,625,870 5,627,876 5,628,059
5,634,196 5,634,205 5,678,176 5,697,096
5,717,312 5,722,070 5,787,345 5,901,341
6,021,326 6,084,861 6,163,691 6,195,415
6,353,730 6,618,015 6,839,550 6,980,770
7,102,568 7,138,945 7,200,358 7,251,453

Uniden®

Free Manuals Download Website

<http://myh66.com>

<http://usermanuals.us>

<http://www.somanuals.com>

<http://www.4manuals.cc>

<http://www.manual-lib.com>

<http://www.404manual.com>

<http://www.luxmanual.com>

<http://aubethermostatmanual.com>

Golf course search by state

<http://golfingnear.com>

Email search by domain

<http://emailbydomain.com>

Auto manuals search

<http://auto.somanuals.com>

TV manuals search

<http://tv.somanuals.com>