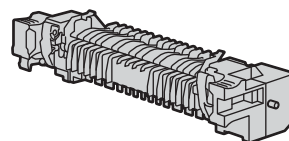
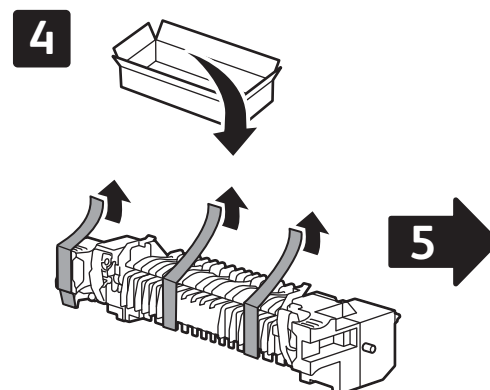
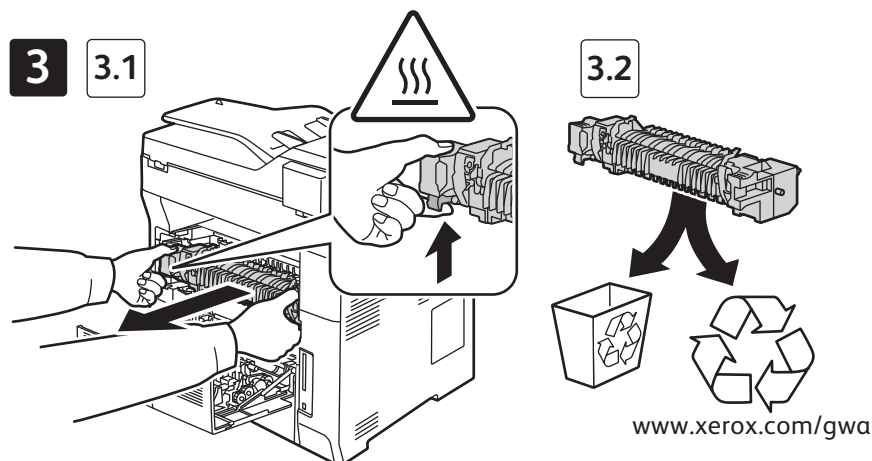
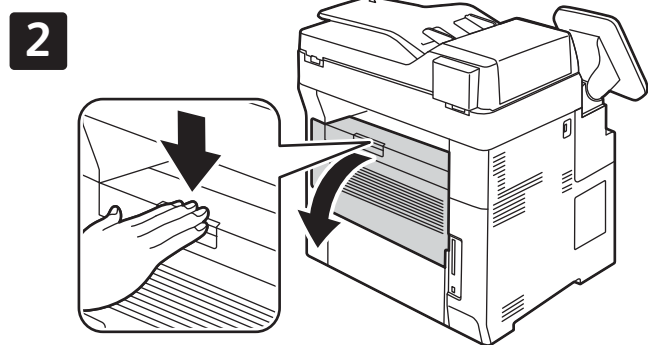
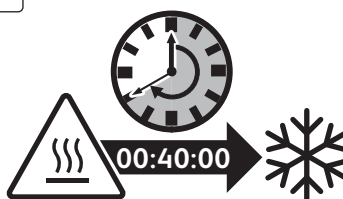
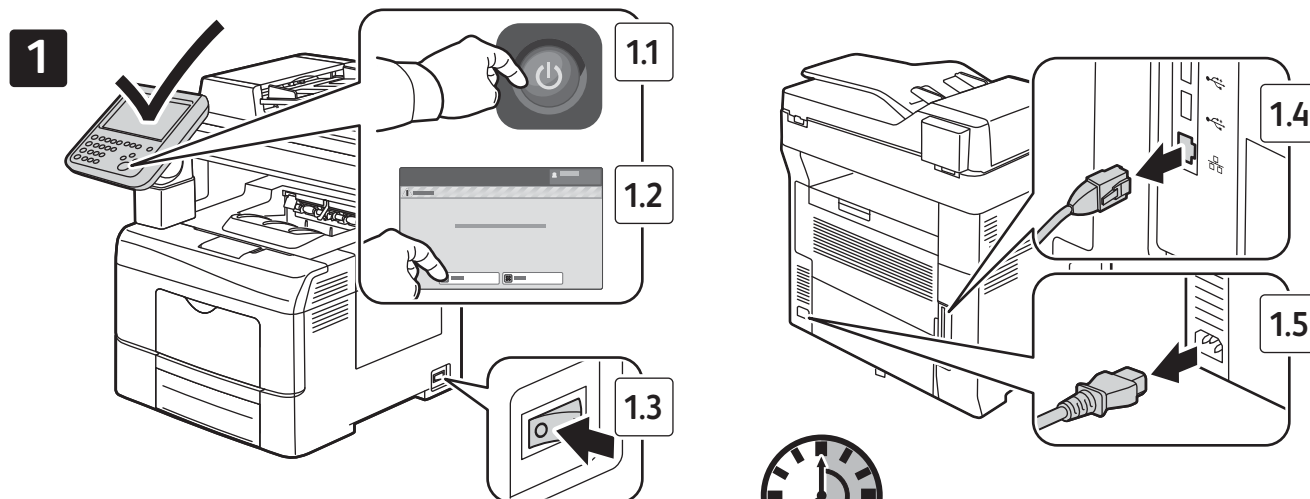


Xerox® WorkCentre® 6655

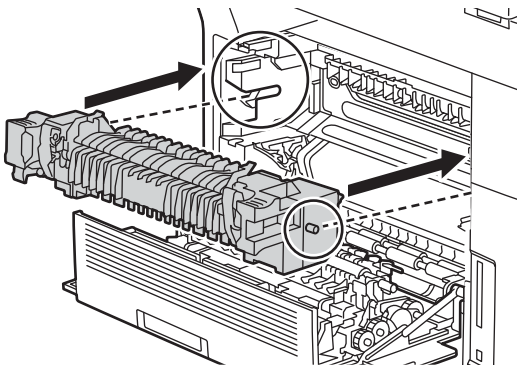
Fuser • Module four • Fusore • Fixiereinheit • Fusor • Fusor • Fuser
 Fixeringsenhet • Fikseringsmodul • Fuser • Kiinnityslaite
 Блок термического закрепления • Fixační jednotka
 Urządzenie utrwalające • Βεβέγητῶ • Isitici • Φούρνος



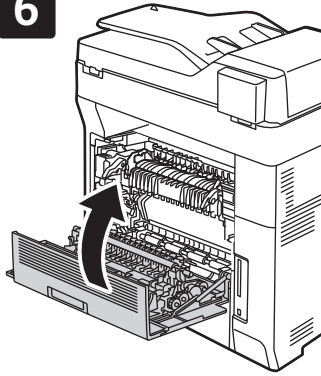
 See the instructional video at
www.xerox.com/office/WC6655support



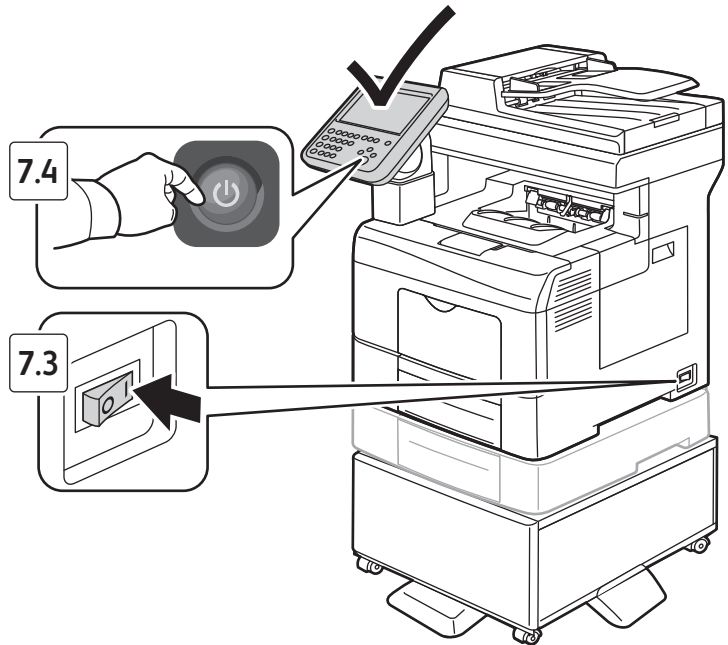
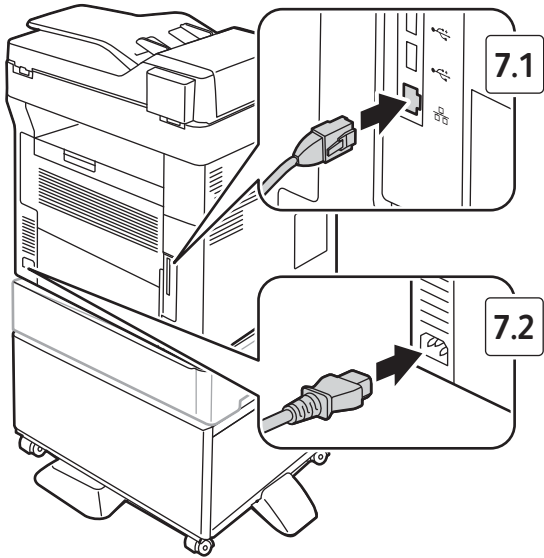
5



6



7



Free Manuals Download Website

<http://myh66.com>

<http://usermanuals.us>

<http://www.somanuals.com>

<http://www.4manuals.cc>

<http://www.manual-lib.com>

<http://www.404manual.com>

<http://www.luxmanual.com>

<http://aubethermostatmanual.com>

Golf course search by state

<http://golfingnear.com>

Email search by domain

<http://emailbydomain.com>

Auto manuals search

<http://auto.somanuals.com>

TV manuals search

<http://tv.somanuals.com>