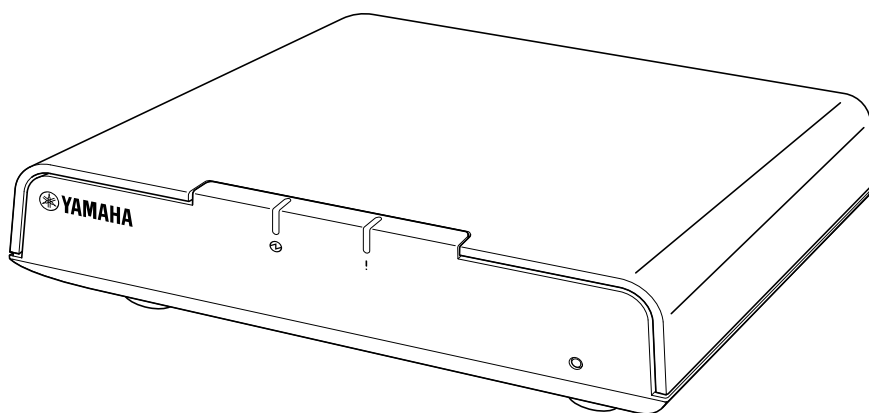




MICROPHONE ACCESS POINT
POINT D'ACCÈS POUR MICROPHONE

RM-WAP-8



- EN** Owner's Manual
- DE** Benutzerhandbuch
- FR** Mode d'emploi
- ES** Manual de instrucciones
- PT** Manual do Proprietário
- IT** Manuale di istruzioni
- JA** 取扱説明書（保証書付き）

English

Deutsch

Français

Español

Português

Italiano

日本語

CONTENTS

PRECAUTIONS	3
NOTICE	5
INFORMATION	6
INTRODUCTION	8
Included items	8
Reference manuals	8
CONTROLS AND FUNCTIONS	9
Front panel	9
Rear panel	9
Bottom panel	10
INSTALLING ON A WALL OR CEILING	11
MAIN SPECIFICATIONS	14
Dimensional diagram	16

The model number, serial number, power requirements, etc., may be found on or near the name plate, which is at the bottom of the unit. You should note this serial number in the space provided below and retain this manual as a permanent record of your purchase to aid identification in the event of theft.

Model No.

Serial No.

PRECAUTIONS

PLEASE READ CAREFULLY BEFORE PROCEEDING

Please keep this manual in a safe place for future reference.

Yamaha cannot be held responsible for damage caused by improper use or modifications to the product, or data that is lost or destroyed.



WARNING

Always follow the basic precautions listed below to avoid the possibility of serious injury or even death from electrical shock, short-circuiting, damages, fire or other hazards. These precautions include, but are not limited to, the following:

Fire warning

- Do not place any burning items or open flames near the product, since they may cause a fire.

Wireless unit

- Do not use this product near medical devices or inside medical facilities. Radio waves from this product may affect electro-medical devices.
- Do not use this product within 15 cm (6 in) of persons with a heart pacemaker implant or a defibrillator implant. Radio waves from this product may affect electro-medical devices, such as a heart pacemaker implant or defibrillator implant.

Location

- Install in the manner instructed in the manual. Falling may result in injury or damage.
- Confirm that the finished installation is safe and secure. Also, carry out safety inspections periodically. Failure to observe this may cause devices to fall and result in injury.



CAUTION

Always follow the basic precautions listed below to avoid the possibility of physical injury to you or others. These precautions include, but are not limited to, the following:

If you notice any abnormality

- If any of the following problems occur, immediately disconnect the LAN cable from the product.
 - The LAN cable becomes frayed or damaged.
 - Unusual smells or smoke are emitted.
 - Some object, or water has been dropped into the product.
 - Cracks or other visible damage appear on the product.
- Then have the product inspected or repaired by qualified Yamaha service personnel.

Do not open

- This product contains no user-serviceable parts. Do not attempt to disassemble the internal parts or modify them in any way.

Water caution

- Do not expose the product to rain, use it near water or in damp or wet conditions, or place on it any containers (such as vases, bottles or glasses) containing liquids which might spill into any openings.

Location and connection

- When connecting this product with a PoE injector or a PoE network switch, use a LAN cable which supports PoE. If you connect a cable that does not comply with specifications, or connect a flat type or slim type cable, fire or malfunctions might occur.
- Do not damage the LAN cable. Failure to observe this precaution could result in fire, electric shock, or damage to the product.
 - Do not place heavy objects on the cable.
 - Do not process the cable in any way.
 - Do not use staples to fix the cable in place.
 - Do not apply excessive force to the cable.
 - Be sure to keep the cable away from anything hot.
- Do not place the product in an unstable position or a location with excessive vibration, where it might accidentally fall and cause injury.
- Keep this product out of reach of children. This product is not suitable for use in locations where children are likely to be present.
- Do not place the product in a location where it may come into contact with corrosive gases or salt air. Doing so may result in malfunction.
- Do not route a LAN cable where someone might trip over them, such as in a location where people pass. Tripping on a cable may cause a person or this product to fall down, resulting in personal injury or damage to the product.
- Before moving the product, remove the connected LAN cable.

Handling caution

- Do not rest your weight on the product or place heavy objects on it.

NOTICE

To avoid the possibility of malfunction/damage to the product, damage to data, or damage to other property, follow the notices below.

Handling and maintenance

- Use the product at a distance of at least 20 cm away from the human body. This product complies with international electromagnetic exposure limits set forth for a normal environment.
- Do not use the product in the vicinity of a TV, radio, or other electric products. Otherwise, the product, TV, or radio may generate noise.
- Do not use the product in the vicinity of a microwave oven. Otherwise, there is a risk of electromagnetic interference with wireless communication.
- Install the product in a location away from other electronic devices. Installing this product near other electronic devices may cause the quality of received radio waves to suffer and communication to become unstable.
- Do not install the product in a location where magnetic fields are strong. Otherwise, it might cause the product to malfunction.
- Do not expose the product to excessive dust or vibration, or extreme cold or heat, in order to prevent the possibility of disfiguration, unstable operation, or damage to the internal components.
- Do not install in locations where temperature changes are severe. Otherwise, condensation may form on the inside or the surface of the product, causing it to break.
- If there is reason to believe that condensation might have occurred, leave the product for several hours without turning on the power until the condensation has completely dried out, in order to prevent possible damage.
- Do not use a LAN cable that comes into contact with the product case or applies excessive force to the connector.
- Do not touch the interior of a port with your fingers or any metallic object.
- Do not place vinyl, plastic or rubber objects on the product, since this might cause alteration or discoloration.
- When cleaning the product, use a dry and soft cloth. Do not use paint thinners, solvents, cleaning fluids, or chemical-impregnated wiping cloths, since this might cause alteration or discoloration.
- Since the heatsinks (bottom) collect heat, do not directly touch them with your hands. In addition, do not allow heat-sensitive objects to come into direct contact with them.



INFORMATION

About functions/data bundled with the product

- Warning: This is a class A product. Operation of this product in a residential environment could cause radio interference.
- This product is compatible with the 1.9 GHz DECT standard. If the product is used in an environment where CS digital broadcasting is being received or PHS is used, radio waves may interfere with each other, affecting broadcasting and communication.
- This product uses Dante Broadway. Refer to the Audinate website (English) for details on the open-source licenses for the particular software.
<https://www.audinate.com/software-licensing>
- Refer to the website below for the licensing terms of the open source software used in this product.
U.S.A. and Canada
<https://uc.yamaha.com/support/>
Other countries
<https://download.yamaha.com/>

About this manual

- This Manual uses the following signal words for the important information:

 WARNING	This content indicates “risk of serious injury or death.”
 CAUTION	This content indicates “risk of injury.”
NOTICE	Indicates content that you must observe in order to prevent the product from malfunctioning, being damaged, or operating incorrectly, and to avoid data loss.
IMPORTANT	Indicates content that you must know in order to operate and use the product correctly.
NOTE	Indicates information that is related to operation and use. Read this for your reference.

- The illustrations as shown in this manual are for instructional purposes only.
- The company names and product names in this manual are the trademarks or registered trademarks of their respective companies.
- Yamaha continuously makes improvements and updates to the software included in this product. You can download the latest software from the Yamaha website.
- Warning: Unauthorized copying of this document in part or in its entirety is prohibited.

About transfer/disposal

- If you transfer the product to a third party, pass this manual and accessories along with it.
- Before you transfer ownership or dispose of this product, initialize the product settings to default. If you transfer ownership or dispose of this product without initializing the settings, your personal data may be stolen by a third party.
- This product contains recyclable components. When disposing of this product, please contact the appropriate local authorities.

INTRODUCTION

Thank you for purchasing the Yamaha RM-WAP-8 microphone access point. This unit is a PoE-powered access point. It is compatible with the 1.9 GHz DECT standard and Dante, and can be used in combination with a dedicated wireless microphone. Be sure to read this manual before using the unit.

Included items

- Mounting bracket : 1
- Owner's Manual (this document) : 1

Reference manuals

In order to use this unit, initial settings, such as pairing with a wireless microphone, are required. For details on the initial setting procedure, functions, and specifications, read the Reference Manual for the RM Series Wireless Microphone System. This publication is available on the Yamaha website.

U.S.A. and Canada

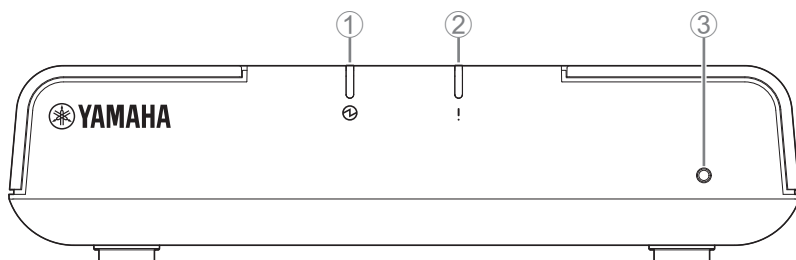
<https://uc.yamaha.com/support/>

Other countries

<https://download.yamaha.com/>

CONTROLS AND FUNCTIONS

Front panel



①  **Power indicator**

②  **Status indicator**

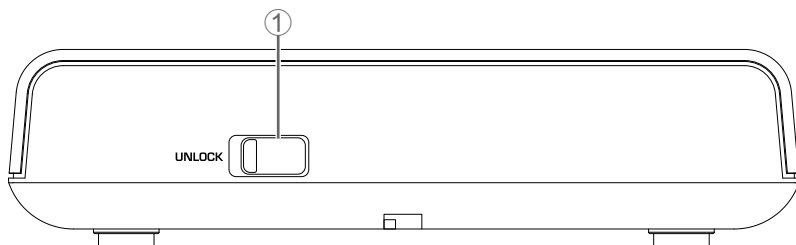
Indicates the status of this unit using a color and flashing pattern. For details, refer to the Reference Manual.

③ **Reset button**

Use to reset the settings by long-pressing with a fine-tipped object, then releasing it.

Long press	Status indicator	Reset target
4 seconds to less than 8 seconds	Flashes blue twice per second (during long-pressing/resetting)	Network-related settings (Automatically restarts after reset)
8 seconds to less than 12 seconds	Flashes blue three times per second (during long-pressing/resetting)	All settings (Automatically restarts after reset)

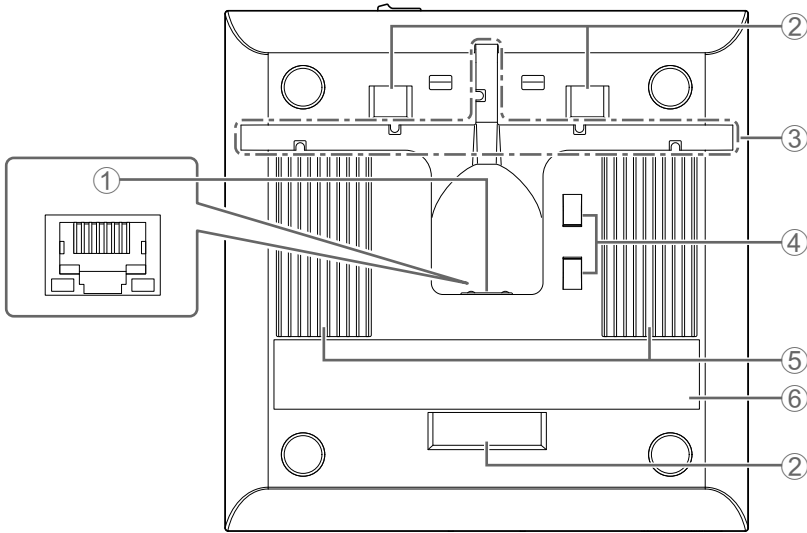
Rear panel



① **UNLOCK switch**

Use to remove this unit from the mounting bracket. For details, refer to page 13.

Bottom panel



① Dante/PoE port

This is an RJ-45 port to which you can connect an LAN cable (CAT5e or higher) via an IEEE802.3af compliant a PoE injector or the PoE network switch to a Dante unit. For details on injectors, refer to the Reference Manual.

NOTICE : Do not connect this product to a public Wi-Fi and/or Internet service directly. Only connect this product to the Internet through a router with strong password protections. Consult your router manufacturer for information on optimum security practices.

: Do not connect any device here other than a Dante-compatible device or a device (including a computer) that supports gigabit Ethernet.

② Mounting cutouts

Use to hook onto the mounting bracket.

③ Cable slots

Use for routing the LAN cable if necessary.

④ Safety wire mounting holes

Use to attach a commercially available safety wire.

⑤ Heatsinks

Allow internal heat to escape.

NOTICE : Since the heatsinks collect heat, do not directly touch them with your hands. In addition, avoid direct contact with heat-sensitive objects.

⑥ Product label

Provides information about this unit and marks of conformity with various standards.

INSTALLING ON A WALL OR CEILING

This unit can be mounted on a wall or ceiling by using the mounting bracket.

Prepare the following.

- This unit
- Mounting bracket (included)
- Commercially available screws × 4
- Commercially available safety wire



CAUTION : Be sure to use screws and safety wires that are appropriate for the material of the wall or ceiling.

Using inappropriate hardware may cause the unit or mounting bracket to fall, resulting in injuries or malfunctions.

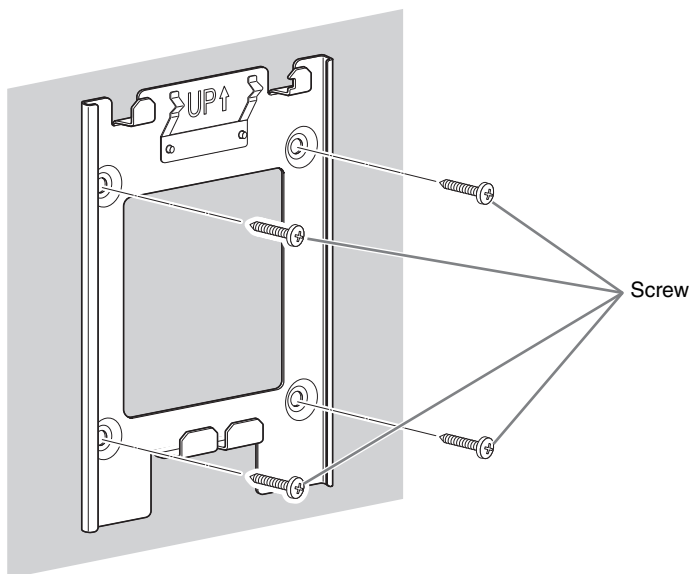
1. Attach the mounting bracket to the wall or ceiling with four commercially available screws.

The diameter of the screw holes is five mm.



CAUTION : When attaching to a wall, make sure that the side marked “UP” is at the top.

If it is at the bottom, the unit may fall, causing injuries or malfunctions.

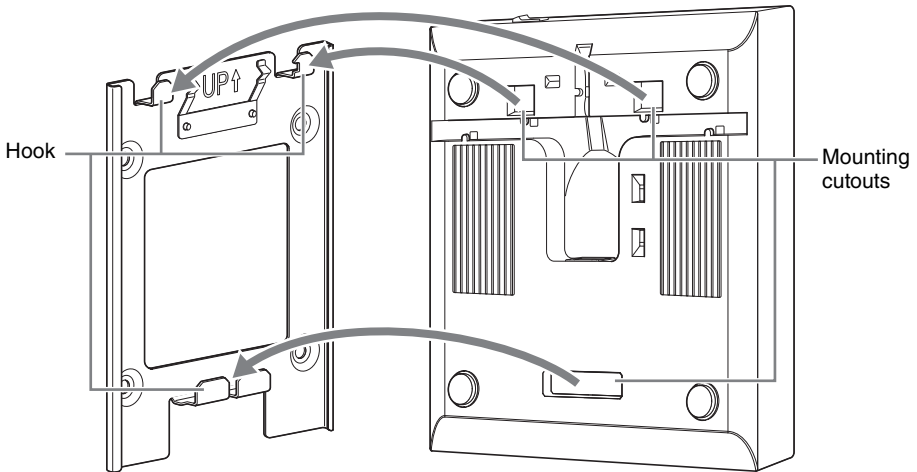


2. Plug the LAN cable into the Dante/PoE port.

- NOTICE** : Use STP (Shielded Twisted Pair) cable to prevent electromagnetic interference.
- : When disconnecting the LAN cable from the Dante/PoE port, wait at least five seconds before reconnecting the cable. Otherwise, damage or malfunctions may result.
- NOTE** : We recommend using single-pair Ethernet cables in order to stabilize power supply via PoE.
- : If necessary, route the LAN cable through the cable slots.

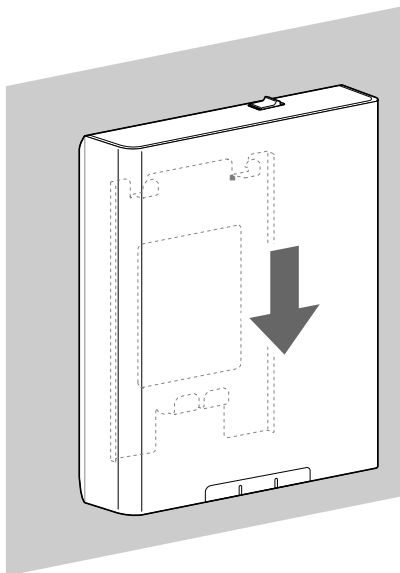
3. Attach a commercially available safety wire.

4. Align the hooks on the mounting bracket with the mounting cutouts (holes) in this unit.

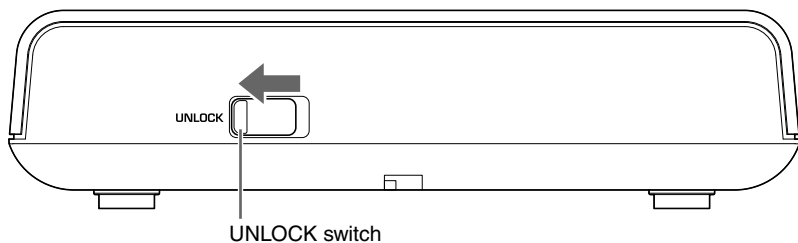


5. Slide this unit to engage the hooks.

This completes the installation. For safety, make sure that the unit does not come off the mounting bracket, even when a force is applied to the unit.



NOTE : To remove this unit from the mounting bracket, slide the unit in the opposite direction of installation while moving the UNLOCK switch on the rear panel (top edge in the illustration above) in the direction shown below.



NOTE : This unit can also be placed on a flat surface. Install it on an open area such as a desk or shelf. Do not install it inside a shelf or where airflow is blocked by obstructions and do not place it on heat-sensitive objects.

MAIN SPECIFICATIONS

General specifications

Dimensions		W 171.2 mm × D 172.5 mm × H 42.8 mm
Weight		650 g (including mounting bracket)
Power requirements		PoE (IEEE802.3af), 48 V DC
Maximum power consumption		48 V, 0.2 A
In operation	Temperature	0 °C – 40 °C
	Humidity	20% – 85% (no condensation)
Storage	Temperature	–20 °C – 60 °C
	Humidity	10% – 90% (no condensation)
Indicators		<ul style="list-style-type: none">• Power• Status• Network port
Accessories		<ul style="list-style-type: none">• Mounting bracket : 1• Owner's Manual (this document) : 1

Network specifications

Dante/PoE port	<ul style="list-style-type: none">• Dante audio/Dante control• External control• PoE• Cable requirements: CAT5e or higher, STP
----------------	---

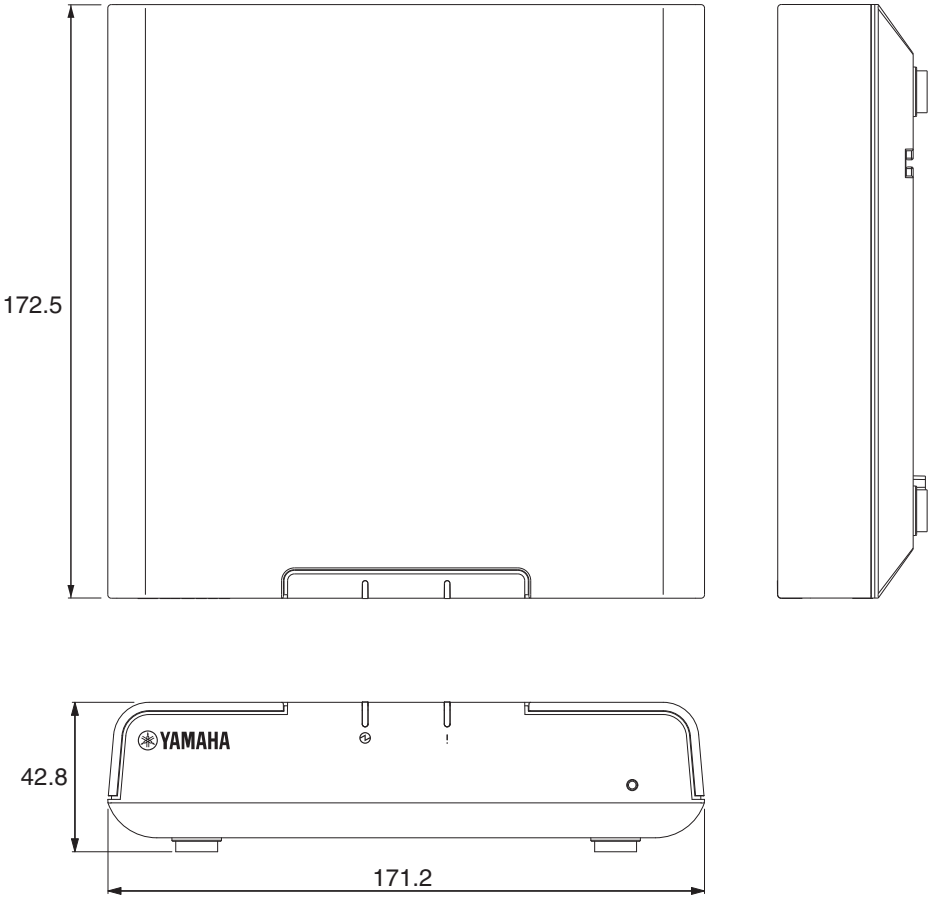
Wireless specifications

Supported standard	1.9 GHz DECT standard
Radio frequency	<ul style="list-style-type: none"> • USA/Canada: 1920.0 MHz – 1930.0 MHz • Europe/Northern Europe/UK/Australia/New Zealand: 1880.0 MHz – 1900.0 MHz • Japan: 1893.5 MHz – 1906.1 MHz
Maximum output power (EIRP)	<ul style="list-style-type: none"> • USA/Canada: 23.5 dBm • Europe/Northern Europe/UK/Australia/New Zealand/Japan: 26.5 dBm
Antenna (built-in)	Supports space diversity
Use	<ul style="list-style-type: none"> • Audio communication and control between access point and microphone • Control between access point and charger
Maximum coverage distance	50 m (depends on the usage environment)
Encryption method	AES (256-bit)

The contents of this manual apply to the latest specifications as of the publishing date. To obtain the latest manual, access the Yamaha website then download the manual file.

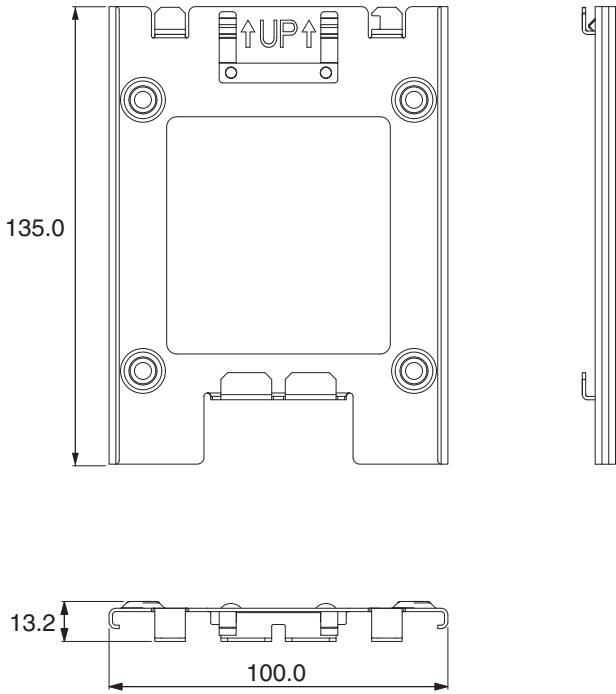
Dimensional diagram

This unit



Units: mm

Mounting bracket



Units: mm

Information for users on collection and disposal of old equipment:



This symbol on the products, packaging, and/or accompanying documents means that used electrical and electronic products should not be mixed with general household waste.

For proper treatment, recovery and recycling of old products, please take them to applicable collection points, in accordance with your national legislation.

By disposing of these products correctly, you will help to save valuable resources and prevent any potential negative effects on human health and the environment which could otherwise arise from inappropriate waste handling.

For more information about collection and recycling of old products, please contact your local municipality, your waste disposal service or the point of sale where you purchased the items.

For business users in the European Union:

If you wish to discard electrical and electronic equipment, please contact your dealer or supplier for further information.

Information on Disposal in other Countries outside the European Union:

This symbol is only valid in the European Union. If you wish to discard these items, please contact your local authorities or dealer and ask for the correct method of disposal.

This transmitter must not be co-located or operated in conjunction with any other antenna or transmitter.

This equipment complies with FCC radiation exposure limits set forth for an uncontrolled environment and meets the FCC radio frequency (RF) Exposure Guidelines. This equipment should be installed and operated keeping the radiator at least 20cm or more away from person's body.

This equipment complies with ISED radiation exposure limits set forth for an uncontrolled environment and meets RSS-102 of the ISED radio frequency (RF) Exposure rules. This equipment should be installed and operated keeping the radiator at least 20 cm or more away from person's body.

This device contains licence-exempt transmitter(s)/receiver(s) that comply with Innovation, Science and Economic Development Canada's licence-exempt RSS(s). Operation is subject to the following two conditions:

1. This device may not cause interference.
2. This device must accept any interference, including interference that may cause undesired operation of the device.

COMPLIANCE INFORMATION STATEMENT (Supplier's declaration of conformity procedure)

Responsible Party: Yamaha Unified Communications, Inc.
Address: 144 North Rd, Suite 3250 Sudbury, MA 01776
Telephone: 800-326-1088
Type of Equipment: Microphone Access Point
Model Name: RM-WAP-8

This device complies with Part 15 of the FCC Rules.

Operation is subject to the following conditions:

- 1) this device may not cause harmful interference, and
- 2) this device must accept any interference received including interference that may cause undesired operation.

FCC INFORMATION (U.S.A.)

1. IMPORTANT NOTICE:

DO NOT MODIFY THIS UNIT!

This product, when installed as indicated in the instructions contained in this manual, meets FCC requirements.

Modifications not expressly approved by Yamaha may void your authority, granted by the FCC, to use the product.

- 2. IMPORTANT:** When connecting this product to accessories and/or another product use only high quality shielded cables. Cable/s supplied with this product **MUST** be used. Follow all installation instructions. Failure to follow instructions could void your FCC authorization to use this product in the USA.

- 3. NOTE:** This equipment has been tested and found to comply with the limits for a Class A digital device, pursuant to Part 15 of the FCC rules. These limits are designed to provide reasonable protection against harmful interference when the equipment is operated in a commercial environment. This equipment generates, uses and can radiate radio frequency energy and, if not installed and used in accordance with the instruction manual, may cause harmful interference to radio communications. Operation of this equipment in a residential area is likely to cause harmful interference in which case the user will be required to correct the interference at his own expense.

INHALTSVERZEICHNIS

VORSICHTSMAßNAHMEN	21
ACHTUNG	23
INFORMATION	24
EINLEITUNG.....	26
Lieferumfang.....	26
Referenzhandbücher	26
BEDIENUNGSELEMENTE UND DEREN FUNKTION.....	27
Frontblende.....	27
Rückseite	27
Unterseite.....	28
MONTAGE AN EINER WAND ODER DECKE	29
TECHNISCHE DATEN	32
Maßbild.....	34

Die Nummer des Modells, die Seriennummer, der Leistungsbedarf usw. sind auf dem Typenschild, das sich auf der Unterseite des Geräts befindet, oder in der Nähe davon angegeben. Sie sollten diese Seriennummer an der unten vorgesehenen Stelle eintragen und dieses Handbuch als dauerhaften Beleg für Ihren Kauf aufbewahren, um im Fall eines Diebstahls die Identifikation zu erleichtern.

Modell Nr.

Seriennr.

VORSICHTSMAßNAHMEN

EMPFOHLENE LEKTÜRE VOR DEM WEITERFAHREN

Vorliegendes Handbuch für spätere Nachschlagzwecke sorgfältig aufbewahren.

Yamaha haftet weder für Schäden, die auf unsachgemäße Benutzung oder Veränderungen des Geräts zurückzuführen sind, noch für den Verlust oder die Zerstörung von Daten.



WARNUNG

Beachten Sie stets die nachfolgend aufgeführten Vorsichtsmaßnahmen, um schwere Verletzungen oder tödliche Unfälle durch elektrischen Schlag, Kurzschluss, Brand oder andere Gefahren zu vermeiden. Folgende Vorsichtsmaßregeln stellen keine vollständige Aufzählung dar.

Brandschutz

- Halten Sie brennende Gegenstände und offene Flammen vom Gerät fern, um einen Brand zu vermeiden.

Kabellose Komponenten

- Verwenden Sie dieses Gerät nicht in der Nähe von medizinischen Geräten oder in medizinischen Einrichtungen. Funkwellen von diesem Gerät können medizinische Geräte stören.
- Personen mit Herzschrittmacher- oder Defibrillator-Implantat müssen mindestens 15 cm von diesem Gerät entfernt bleiben. Funkwellen von diesem Gerät können medizinische Geräte wie Herzschrittmacher- oder Defibrillator-Implantate stören.

Einsatzort

- Das Gerät wie in der Anleitung beschrieben aufstellen. Anderenfalls können Verletzungen oder Schäden verursachen.
- Bestätigen Sie, dass die abgeschlossene Aufstellung sicher ist. Führen Sie außerdem regelmäßige Sicherheitskontrollen durch. Andernfalls könnten Geräte abstürzen und Verletzungen verursachen.



VORSICHT

Befolgen Sie stets die unten aufgeführten Grundvorsichtsmaßnahmen, um mögliche Verletzungen der eigenen oder anderer Personen zu vermeiden. Folgende Vorsichtsmaßregeln stellen keine vollständige Aufzählung dar.

Ungewöhnliche Vorkommnisse

- Tritt eines der folgenden Probleme auf, trennen Sie sofort das LAN-Kabel vom Gerät.
 - Das LAN-Kabel ist ausgefranst oder beschädigt.
 - Das Gerät erzeugt einen ungewöhnlichen Geruch oder Rauch.
 - Ein Gegenstand oder Wasser ist in das Gerät eingedrungen.
 - Das Gerät weist Risse oder andere sichtbare Schäden auf.Das Gerät anschließend von qualifiziertem Yamaha Kundendienstpersonal prüfen oder reparieren lassen.

Nicht öffnen

- Dieses Gerät enthält keine vom Benutzer zu wartenden Teile. Die inneren Bauteile weder zerlegen noch in irgendeiner Weise modifizieren.

Gefahr durch Wasser

- Schützen Sie das Gerät vor Regen, Wasser und Feuchtigkeit, und stellen Sie keine mit Flüssigkeiten befüllten Behälter (wie Vasen, Flaschen oder Gläser) darauf ab, deren Inhalt in die Öffnungen auslaufen könnte.

Einsatzort und Verbindungen

- Zum Verbinden dieses Geräts mit einem PoE-Injektor oder -Netzwerk-Switch ein PoE-fähiges LAN-Kabel einsetzen. Wird ein Kabel, das dieser Spezifikationen nicht entspricht, oder ein flaches bzw. dünnes Kabel eingesetzt, könnte ein Brand oder eine Störung erfolgen.
- Das LAN-Kabel nicht beschädigen. Andernfalls könnte ein Brand, elektrischer Schlag oder Beschädigung des Geräts erfolgen.
 - Keine schweren Gegenstände auf das Kabel setzen.
 - Das Kabel in keiner Weise umrüsten.
 - Das Kabel nicht anheften.
 - Das Kabel nicht strapazieren.
 - Das Kabel von Hitzequellen fernhalten.
- Stellen Sie das Gerät nicht in eine un stabile Lage oder an einem Ort mit übermäßigen Vibrationen, an dem es versehentlich abstürzen und Verletzungen verursachen könnte.
- Halten Sie dieses Gerät außer Reichweite von Kindern. Dieses Gerät eignet sich nicht für den Einsatz an Orten, wo sich Kinder aufhalten könnten.
- Setzen Sie das Gerät nicht an einem Ort ein, wo es korrosiven Gasen oder salzhaltiger Luft ausgesetzt sein könnte. Dadurch kann es zu Fehlfunktionen kommen.
- Verlegen Sie keine LAN-Kabel in Durchgangsbereichen, wo Personen stolpern könnten. Beim Stolpern über ein Kabel könnte eine Person fallen und sich verletzen oder das Gerät stürzen und beschädigt werden.
- Ziehen Sie das LAN-Kabel ab, bevor Sie das Gerät versetzen.

Vorsichtsmaßnahmen während der Benutzung

- Sie sollten sich weder auf das Gerät abstützen noch schwere Gegenstände darauf abstellen.

ACHTUNG

Beachten Sie folgende Hinweise, um eine Störung bzw. Beschädigung des Geräts, den Verlust von Daten oder andere Sachschäden zu vermeiden.

Umgang und Wartung

- Personen sollten beim Einsatz des Geräts einem Mindestabstand von 20 cm zum Gerät wahren. Dieses Gerät hält die internationalen Grenzwerten für elektromagnetische Belastung ein, die für eine normale Umgebung festgelegt wurden.
- Setzen Sie dieses Gerät nicht in der Nähe eines Fernsehgeräts, Radios oder anderen elektrischen Geräts ein. Andernfalls könnte das Gerät, Fernsehgerät oder Radio Störungen verursachen.
- Setzen Sie dieses Gerät nicht in der Nähe eines Mikrowellenherds ein. Anderenfalls könnte die drahtlose Kommunikation von elektromagnetischen Störungen beeinflusst werden.
- Stellen Sie das Gerät von anderen elektronischen Geräten entfernt auf. Wird dieses Gerät in der Nähe anderer elektronischer Geräte aufgestellt, kann der Empfang von Funkwellen beeinträchtigt und die Kommunikation gestört werden.
- Stellen Sie das Gerät von starken Magnetfeldern entfernt auf. Anderenfalls könnte die Funktion des Geräts beeinträchtigt werden.
- Setzen Sie das Gerät weder übermäßigem Staub, Vibrationen noch extremer Kälte oder Hitze aus, um eine äußere Schädigung, Betriebsstörungen oder eine Beschädigung innerer Bauteile zu vermeiden.
- Das Gerät nicht an Orten mit starken Temperaturänderungen anbringen. Andernfalls kann sich Kondensation auf der Innenseite oder Oberfläche des Geräts bilden und Beschädigung verursachen.
- Wenn es Grund zur Annahme gibt, dass Kondensation aufgetreten sein könnte, lassen Sie das Gerät zum Schutz vor möglichen Schäden mehrere Stunden lang ausgeschaltet, bis die Kondensation vollständig ausgetrocknet ist.
- Verwenden Sie kein LAN-Kabel, welches das Gehäuse des Geräts berührt oder die Anschlussbuchse strapaziert.
- Fingern und metallische Gegenstände aus dem Inneren der Anschlussbuchsen fernhalten.
- Halten Sie Gegenstände aus Vinyl, Kunststoff oder Gummi fern, andernfalls könnte das Gerät verformt oder verfärbt werden.
- Reinigen Sie das Gerät mit einem trockenen, weichen Tuch. Verwenden Sie keine mit Verdünner, Lösungsmittel, Reiniger oder anderen Chemikalien befeuchtete Wischtücher, um Verformung oder Verfärbung zu vermeiden.
- Die Wärmeableiter (unten) nicht direkt mit Ihren Händen berühren, da sie heiß werden. Außerdem vermeiden, dass hitzeempfindliche Gegenstände direkt damit in Berührung kommen.



INFORMATION

Über mit dem Gerät gebündelte Funktionen/Daten

- Warnung: Dies ist ein Gerät der Klasse A. Der Betrieb dieses Geräts in Wohngebieten kann Funkstörungen verursachen.
- Dieses Gerät unterstützt den 1,9-GHz-DECT-Standard. Wird das Gerät in einer Umgebung eingesetzt, wo CS-Digitalrundfunk empfangen oder PHS verwendet wird, können sich die Funkwellen gegenseitig stören und der Rundfunk oder die Kommunikation beeinträchtigt werden.
- Dieses Gerät setzt Dante Broadway ein. Weitere Informationen zu den OpenSource-Lizenzen für die jeweilige Software finden sich auf der (englischsprachigen) Website von Audinate: <https://www.audinate.com/software-licensing>
- Die Lizenzbedingungen für die in diesem Produkt verwendete Open-Source-Software findet sich auf der folgenden Website.
Für USA und Kanada
<https://uc.yamaha.com/support/>
Für andere Länder
<https://download.yamaha.com/>

Über dieses Handbuch

- Folgende Signalwörter weisen auf wichtige Informationen in vorliegendem Handbuch hin.

 WARNUNG	Dieser Inhalt weist auf „unmittelbares Risiko schwerer Verletzungen oder Todesgefahr“ hin.
 VORSICHT	Der zugehörige Inhalt weist auf „ein Risiko schwerer Verletzungen“ hin.
ACHTUNG	Verweist auf Informationen, die zu beachten sind, um Gerätepannen, -schäden oder -störungen sowie Datenverluste zu verhindern.
WICHTIG	Verweist auf Informationen, die für eine ordnungsgemäße Bedienung und Benutzung des Geräts erforderlich sind.
HINWEIS	Verweist auf Informationen zur Bedienung und Benutzung. Lesen Sie diese nach Bedarf.

- Die Abbildungen in diesem Handbuch dienen lediglich zur Veranschaulichung.
- Die in dieser Anleitung erwähnten Firmen- und Produktnamen sind Warenzeichen bzw. eingetragene Warenzeichen der entsprechenden Firmen.
- Yamaha verbessert und aktualisiert die in diesem Gerät enthaltene Software kontinuierlich. Sie können die neueste Software von der Yamaha-Website herunterladen.
- Warnung: Das unbefugte Kopieren dieses Dokuments, ob ganz oder teilweise, ist untersagt.

Bei Übergabe/Entsorgung

- Falls Sie dieses Gerät an eine andere Person weitergeben, legen Sie vorliegendes Handbuch und das Zubehör bei.
- Bevor Sie dieses Gerät weitergeben oder entsorgen, initialisieren sie es, um die Vorgabeeinstellungen wiederherzustellen. Wird das Gerät ohne Initialisierung weitergegeben oder entsorgt, könnten Ihre personenbezogenen Daten in fremde Hände geraten.
- Dieses Gerät enthält recycelbare Komponenten. Wenden Sie sich für die Entsorgung dieses Geräts bitte an die zuständigen örtlichen Behörden.

EINLEITUNG

Vielen Dank für den Kauf eines Mikrofon-Access-Points RM-WAP-8 von Yamaha. Dieser Access Point ist PoE-betrieben. Er unterstützt den 1,9-GHz-DECT-Standard sowie Dante und kann mit einem zugehörigen Drahtlosmikrofon eingesetzt werden. Lesen Sie das vorliegende Handbuch sorgfältig durch, bevor Sie das Gerät einsetzen.

Lieferumfang

- Montagehalterung : 1
- Vorliegende Bedienungsanleitung : 1

Referenzhandbücher

Vor dem Einsatz dieses Geräts sind Ersteinstellungen wie das Pairen mit einem drahtlosen Mikrofon erforderlich. Ausführliche Informationen zu den Ersteinstellungen, Funktionen und technischen Daten finden sich im Referenzhandbuch für das Drahtlosmikrofonsystem der RM-Serie. Das Dokument ist auf der Yamaha-Website verfügbar.

Für USA und Kanada

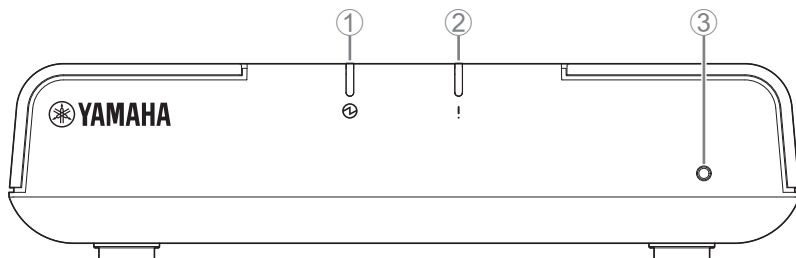
<https://uc.yamaha.com/support/>

Für andere Länder

<https://download.yamaha.com/>

BEDIENUNGSELEMENTE UND DEREN FUNKTION

Frontblende



① Betriebsanzeige

② Statusanzeige

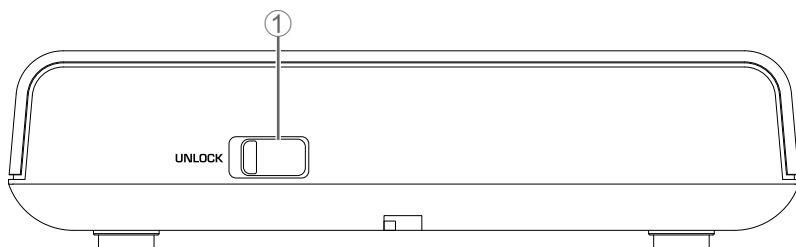
Zeigt den Status dieses Geräts durch Farben und Blinkmuster an. Einzelheiten finden sich im Referenzhandbuch.

③ Rückstellknopf

Mit einem feinspitzigen Gegenstand gedrückt halten und dann loslassen, um die Geräteeinstellungen zurückzustellen.

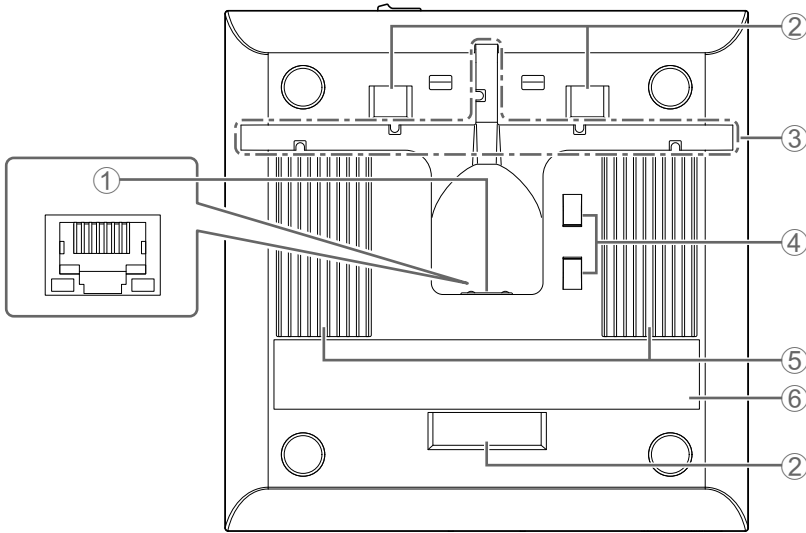
Gedrückt halten	Statusanzeige	Rückstellung
4 bis unter 8 Sekunden	Blinkt zweimal pro Sekunde blau (beim Gedrückthalten/Rückstellen)	Netzwerkeinstellungen (automatischer Neustart nach Rückstellung)
8 bis unter 12 Sekunden	Blinkt dreimal pro Sekunde blau (beim Gedrückthalten/Rückstellen)	Sämtliche Einstellungen (automatischer Neustart nach Rückstellung)

Rückseite



① Entriegelungsschalter UNLOCK

Zum Lösen dieses Geräts von der Montagehalterung. Einzelheiten finden sich auf Seite 31.



① Buchse Dante/PoE

An dieser RJ-45-Buchse können Sie ein LAN-Kabel (CAT5e oder höher) über einen IEEE802.3af-kompatiblen PoE-Injektor oder PoE-Netzwerk-Switch mit einem Dante-Gerät verbinden.

Einzelheiten finden sich im Referenzhandbuch.

ACHTUNG : Verbinden Sie dieses Gerät nicht direkt mit einem öffentlichen WLAN oder Internetdienst. Verbinden Sie dieses Gerät nur über einen Router mit starkem Kennwortschutz mit dem Internet. Wenden Sie sich an Ihren Routerhersteller, um Informationen zu bewährten Sicherheitsverfahren zu erhalten.

: Schließen Sie hier kein anderes als ein Dante-fähiges oder Gigabit-Ethernet-fähiges Gerät (einschließlich Computer) an.

② Montageöffnungen

Zum Einhängen in die Montagehalterung.

③ Kabelführungsaussparungen

Zum Verlegen des LAN-Kabels nach Bedarf.

④ Befestigungsöffnungen für Sicherheitsseil

Zum Anbringen eines handelsüblichen Sicherheitsseils.

⑤ Wärmeableiter

Zum Ableiten angestauter Hitze.

ACHTUNG : Die Wärmeableiter nicht direkt mit Ihren Händen berühren, da sie heiß werden. Halten Sie außerdem hitzeempfindliche Gegenstände davon fern.

⑥ Typschild

Informiert über das Gerät und Prüfzeichen für verschiedene Standards.

MONTAGE AN EINER WAND ODER DECKE

Dieses Gerät kann mit der Montagehalterung an einer Wand oder Decke montiert werden.

Bereiten Sie Folgendes vor:

- vorliegendes Gerät
- Montagehalterung (im Lieferumfang enthalten)
- handelsübliche Schrauben × 4
- handelsübliches Sicherheitsseil



VORSICHT : Schrauben und Sicherheitsseil müssen sich für den Wand- oder Deckenbaustoff eignen.

Durch den Einsatz von ungeeignetem Montagezubehör könnte das Gerät oder der Montagehalterung abstürzen und Verletzungen oder Störungen verursacht werden.

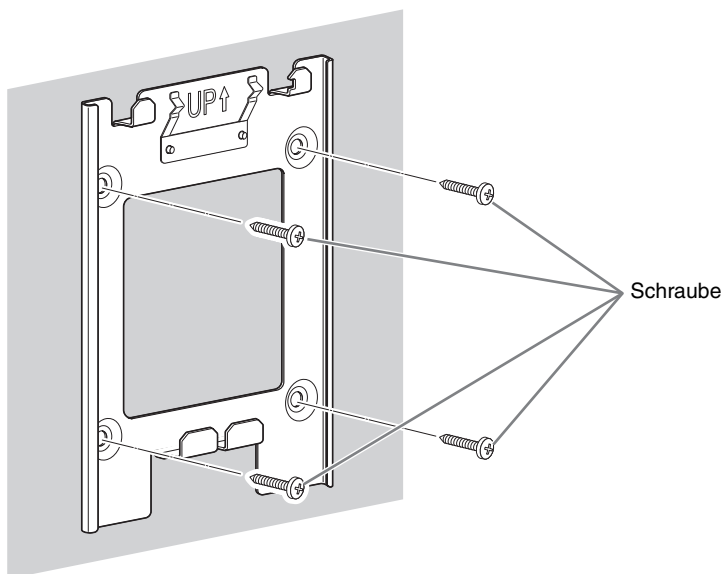
1. Befestigen Sie die Montagehalterung mit vier handelsüblichen Schrauben an der Wand oder Decke.

Der Durchmesser der Bohrungen beträgt fünf mm.



VORSICHT : Bei Wandmontage muss sich die mit „UP“ gekennzeichnete Seite oben befinden.

Anderenfalls könnte das Gerät abstürzen und Verletzungen oder Störungen verursacht werden.



2. Verbinden Sie das LAN-Kabel mit der Buchse Dante/PoE.

ACHTUNG : Verwenden Sie ein STP (Shielded Twisted Pair)-Kabel, um elektromagnetische Störungen zu verhindern.

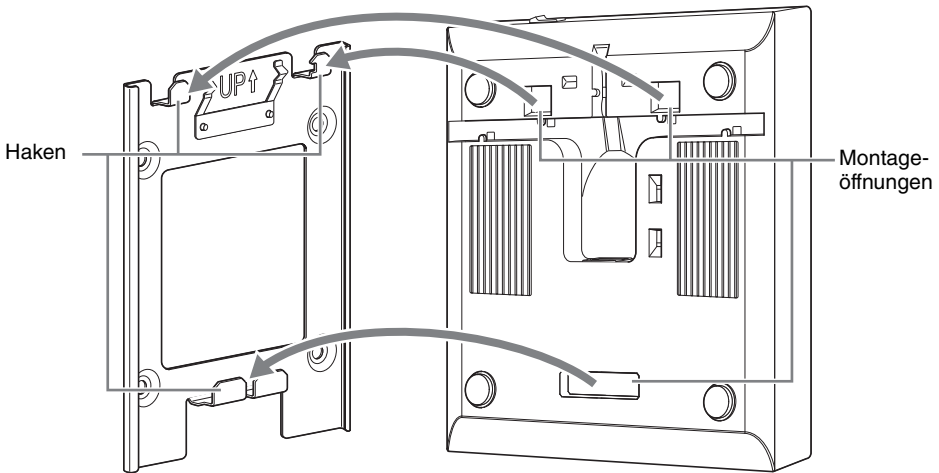
: Wurde das LAN-Kabel von der Buchse Dante/PoE abgezogen, mindestens fünf Sekunden warten, bevor es wieder eingesteckt wird. Anderenfalls könnte Beschädigung oder Störung verursacht werden.

HINWEIS : Zum Stabilisieren der Stromversorgung über PoE wird der Einsatz von Single-Pair-Ethernet-Kabeln empfohlen.

: Verlegen Sie das LAN-Kabel bei Bedarf durch die Kabelführungsaussparungen.

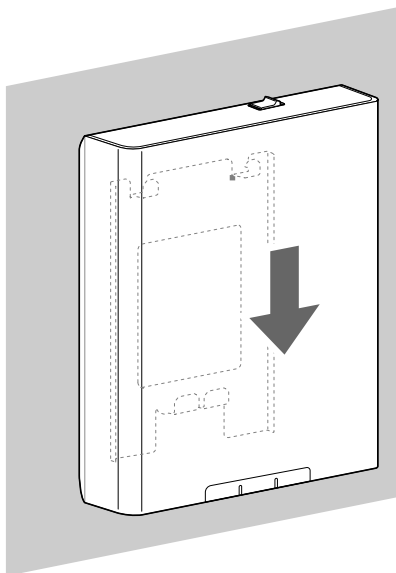
3. Ein handelsüblichen Sicherheitsseil anbringen.

4. Richten Sie die Montageöffnungen im Gerät auf die Haken an der Montagehalterung aus.

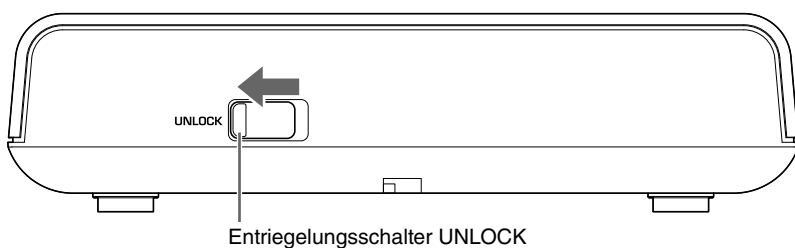


5. Verschieben Sie das Gerät, sodass die Haken eingreifen.

Die Montage ist nun abgeschlossen. Vergewissern Sie sich, dass sich das Gerät auch unter Anwendung von Kraft nicht von der Halterung löst.



HINWEIS : Um das Gerät von der Montagehalterung zu lösen, schieben Sie das Gerät in die entgegengesetzte Richtung der Montage; schieben Sie dabei den Entriegelungsschalter UNLOCK an der Rückseite (Oberkante in der obigen Abbildung) in die unten gezeigte Richtung.



HINWEIS : Das Gerät kann ebenfalls auf einer ebenen Oberfläche aufgestellt werden. Stellen Sie es in einem offenen Bereich wie einem Schreibtisch oder einem Regal auf. Stellen Sie es weder an einer Stelle im Regal, wo der Luftstrom gehindert würde, noch auf wärmeempfindliche Gegenstände ab.

TECHNISCHE DATEN

Technische Daten – Allgemein

Abmessungen	B 171,2 mm × T 172,5 mm × H 42,8 mm	
Gewicht	650 g (einschließlich Montagehalterung)	
Leistungsanforderungen	PoE (IEEE802.3af), 48 VDC	
Maximale Leistungsaufnahme	48 V, 0,2 A	
Im Betrieb	Temperatur	0 °C – 40 °C
	Luftfeuchtigkeit	20% – 85% (nichtkondensierend)
Lagerung	Temperatur	–20 °C – 60 °C
	Luftfeuchtigkeit	10% – 90% (nichtkondensierend)
Anzeigen	<ul style="list-style-type: none">• Betrieb• Status• Netzwerkbuchse	
Zubehör	<ul style="list-style-type: none">• Montagehalterung : 1• Vorliegende Bedienungsanleitung : 1	

Technische Daten – Netzwerk

Buchse Dante/PoE	<ul style="list-style-type: none">• Dante-Audio/Dante-Steuerung• Externe Steuerung• PoE• Kabelanforderungen: CAT5e oder höher, STP
------------------	---

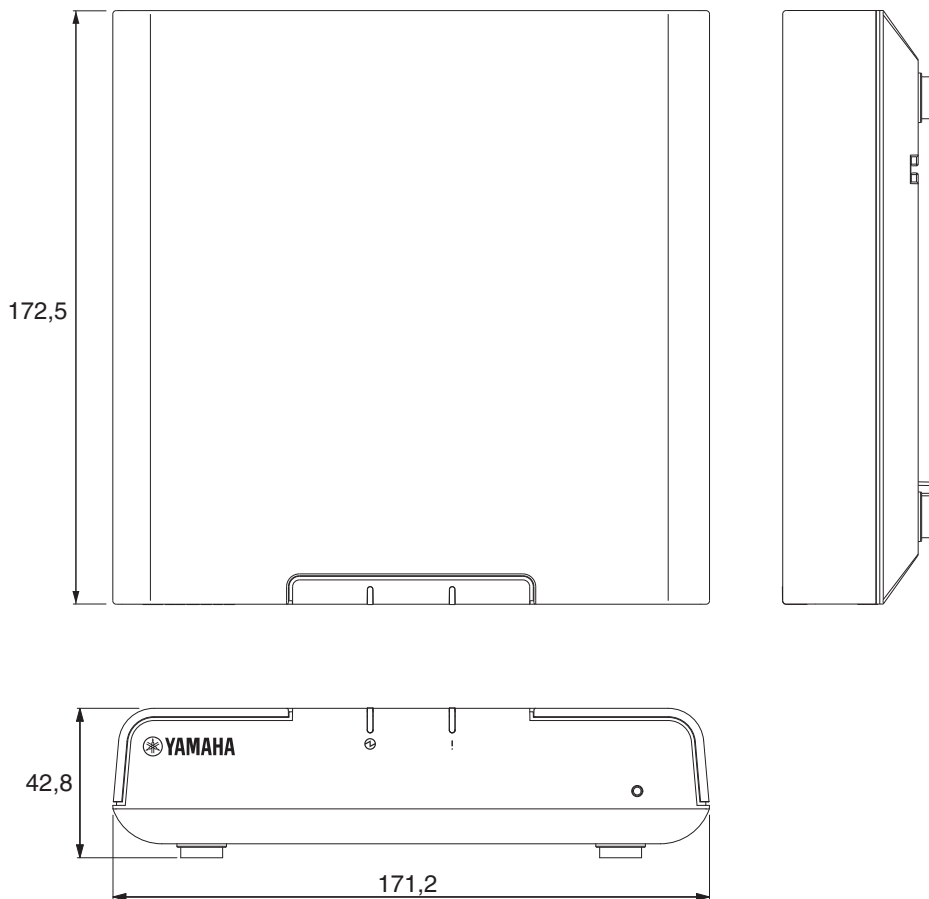
Technische Daten – Drahtloskommunikation

Unterstützter Standard	1.9 GHz DECT
Funkfrequenz	<ul style="list-style-type: none">• USA/Kanada: 1920,0 MHz – 1930,0 MHz• Europa/Nordeuropa/Großbritannien/Australien/Neuseeland: 1880,0 MHz – 1900,0 MHz• Japan: 1893,5 MHz – 1906,1 MHz
Maximale Ausgangsleistung (EIRP)	<ul style="list-style-type: none">• USA/Kanada: 23,5 dBm• Europa/Nordeuropa/Großbritannien/Australien/Neuseeland/Japan: 26,5 dBm
Antenne (integriert)	Unterstützt Raumdiversität
Einsatz	<ul style="list-style-type: none">• Audiokommunikation und -steuerung zwischen Access Point und Mikrofon• Steuerung zwischen Access Point und Ladegerät
Maximale Reichweite	50 m (je nach Einsatzumgebung)
Verschlüsselungsmethode	AES (256 Bits)

Der Inhalt dieser Bedienungsanleitung gilt für die neuesten technischen Daten zum Zeitpunkt der Veröffentlichung. Um die neueste Version der Anleitung zu erhalten, rufen Sie die Website von Yamaha auf und laden Sie dann die Datei mit der Bedienungsanleitung herunter.

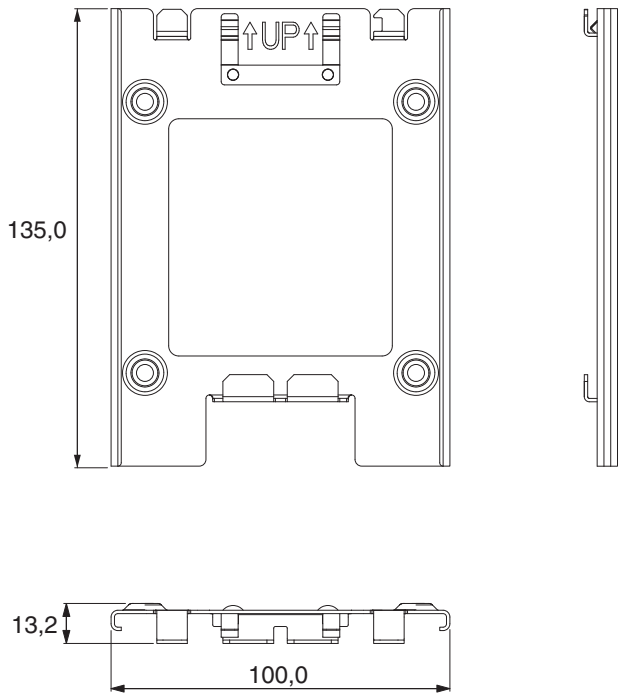
Maßbild

Vorliegendes Gerät



Einheit: mm

Montagehalterung



Deutsch

Einheit: mm

Verbraucherinformation zur Sammlung und Entsorgung alter Elektrogeräte



Befindet sich dieses Symbol auf den Produkten, der Verpackung und/oder beiliegenden Unterlagen, so sollten benutzte elektrische Geräte nicht mit dem normalen Haushaltsabfall entsorgt werden.

In Übereinstimmung mit Ihren nationalen Bestimmungen bringen Sie alte Geräte bitte zur fachgerechten Entsorgung, Wiederaufbereitung und Wiederverwendung zu den entsprechenden Sammelstellen.

Durch die fachgerechte Entsorgung der Elektrogeräte helfen Sie, wertvolle Ressourcen zu schützen, und verhindern mögliche negative Auswirkungen auf die menschliche Gesundheit und die Umwelt, die andernfalls durch unsachgerechte Müllentsorgung auftreten könnten.

Für weitere Informationen zum Sammeln und Wiederaufbereiten alter Elektrogeräte kontaktieren Sie bitte Ihre örtliche Stadt- oder Gemeindeverwaltung, Ihren Abfallentsorgungsdienst oder die Verkaufsstelle der Artikel.

Information für geschäftliche Anwender in der Europäischen Union:

Wenn Sie Elektrogeräte ausrangieren möchten, kontaktieren Sie bitte Ihren Händler oder Zulieferer für weitere Informationen.

Entsorgungsinformation für Länder außerhalb der Europäischen Union:

Dieses Symbol gilt nur innerhalb der Europäischen Union. Wenn Sie solche Artikel ausrangieren möchten, kontaktieren Sie bitte Ihre örtlichen Behörden oder Ihren Händler und fragen Sie nach der sachgerechten Entsorgungsmethode.

TABLE DES MATIÈRES

PRÉCAUTIONS D'USAGE	39
AVIS	41
INFORMATIONS	42
INTRODUCTION	44
Éléments inclus dans l'emballage	44
Manuels de référence	44
COMMANDES ET FONCTIONS	45
Panneau avant	45
Panneau arrière	45
Panneau inférieur	46
MONTAGE SUR UN PLAFOND OU UN MUR	47
SPÉCIFICATIONS PRINCIPALES	50
Schéma dimensionnel	52

Le numéro de modèle, le numéro de série, l'alimentation requise, etc., se trouvent sur ou près de la plaque signalétique du produit, située dans la partie inférieure de l'unité. Notez le numéro de série dans l'espace fourni ci-dessous et conservez ce manuel en tant que preuve permanente de votre achat afin de faciliter l'identification du produit en cas de vol.

N° de modèle

N° de série

PRÉCAUTIONS D'USAGE

LISEZ ATTENTIVEMENT CES INFORMATIONS AVANT L'INSTALLATION

Conservez ce manuel en lieu sûr pour toute référence ultérieure.

Yamaha ne peut être tenu responsable des dommages matériels causés par une mauvaise manipulation ou des modifications du produit, ou de la perte ou destruction de données.



AVERTISSEMENT

Respectez toujours les précautions élémentaires énumérées ci-dessous afin d'éviter les risques de blessures graves ou même mortelles causées par une électrocution, un court-circuit, des dommages, un incendie ou d'autres risques. Ces précautions incluent mais sans s'y limiter les risques suivants:

Prévention contre les incendies

- Ne placez pas d'objets brûlants ou de flammes nues à proximité du produit, au risque de provoquer un incendie.

Appareil sans fil

- N'utilisez pas ce produit à proximité d'appareils médicaux ou au sein d'installations médicales. Les ondes radio transmises par ce produit peuvent affecter les appareils électromédicaux.
- N'utilisez pas ce produit à moins de 15 cm des personnes disposant d'un stimulateur cardiaque ou d'un défibrillateur. Les ondes radio émanant de ce produit peuvent affecter le fonctionnement des équipements électromédicaux tels que les stimulateurs cardiaques ou les défibrillateurs cardiaques.

Emplacement

- Installez l'appareil en suivant les consignes de ce manuel. Une chute de l'appareil pourrait causer des blessures ou des dommages.
- Assurez-vous que l'appareil est installé de manière stable et sûre. Veillez en outre à effectuer régulièrement des contrôles de sécurité. Le non-respect de cette consigne risque d'entraîner la chute des appareils et de causer des blessures.



ATTENTION

Respectez toujours les précautions élémentaires énumérées ci-dessous afin d'éviter les risques de blessures corporelles pour l'utilisateur ou d'autres personnes. Ces précautions incluent mais sans s'y limiter les risques suivants:

En cas d'anomalie

- Si un des problèmes suivants survient, débranchez immédiatement le câble réseau du produit.
 - Le câble réseau est effiloché ou endommagé.
 - Le produit émet une odeur bizarre ou de la fumée.
 - Un objet ou de l'eau a pénétré à l'intérieur du produit.
 - Des fissures ou d'autres dommages sont visibles sur le produit.

Faites immédiatement inspecter ou réparer le produit par un technicien Yamaha qualifié.

N'ouvrez pas le boîtier du produit.

- Ce produit ne contient aucun composant réparable par l'utilisateur. N'essayez jamais de démonter ni de modifier de quelque manière les composants internes.

Avertissement relatif à la présence d'eau

- N'exposez pas le produit à la pluie, ne l'utilisez pas près d'une source d'eau ou dans un milieu humide et ne déposez pas dessus des récipients (tels que des vases, des bouteilles ou des verres) contenant des liquides qui risqueraient de s'infiltrer par les ouvertures.

Emplacement et connexions

- Quand vous reliez ce produit à un injecteur PoE ou un commutateur de réseau PoE, utilisez un câble réseau compatible PoE. La connexion d'un câble non conforme à ces spécifications ou d'un câble de type plat pourrait causer un dysfonctionnement ou un incendie.
- N'endommagez pas le câble réseau. Le non-respect de cette consigne peut causer un incendie, une électrocution ou un endommagement du produit.
 - Ne posez pas d'objets lourds sur le câble.
 - Ne modifiez pas le câble de quelque manière que ce soit.
 - Ne fixez pas le câble à l'aide d'agrafes.
 - N'exercez pas une force excessive sur le câble.
 - Veillez à garder le câble à l'écart de toute source de chaleur.
- Ne posez pas le produit sur une surface instable ou soumise à de fortes vibrations, car il risquerait de tomber et de causer des blessures.
- Conservez ce produit hors de portée des enfants. N'utilisez pas ce produit dans des endroits où il serait à la portée des enfants.
- Ne placez pas le produit dans un endroit où il pourrait entrer en contact avec des gaz corrosifs ou de l'air à haute teneur en sel. Cela pourrait provoquer des dysfonctionnements.
- N'acheminez pas un câble réseau dans des endroits où quelqu'un risquerait de trébucher dessus. Si une personne se prend le pied dans un câble, elle risquerait de tomber et/ou de faire tomber le produit, causant d'éventuelles blessures corporelles ou un endommagement du produit.
- Avant de déplacer le produit, débranchez le câble réseau connecté.

Précautions d'utilisation

- Ne posez pas d'objets lourds et ne reposez jamais le poids de votre corps sur le produit.

AVIS

Pour éviter les risques de dysfonctionnement/d'endommagement du produit, la perte de données ou des dommages matériels, suivez les consignes ci-dessous.

Manipulation et entretien

- Gardez une distance d'au moins 20 cm entre le produit et l'utilisateur. Ce produit est conforme aux limites internationales d'exposition électromagnétique définies pour un environnement typique.
- N'utilisez pas le produit à proximité d'un téléviseur, d'une radio ou d'autres appareils électriques. La proximité du téléviseur, de la radio ou d'autres appareils risquerait de générer du bruit.
- N'utilisez pas le produit à proximité d'un four à micro-ondes. Sinon, cela pourrait causer des interférences électromagnétiques avec la communication sans fil.
- Installez le produit à l'écart d'autres appareils électroniques. L'installation de ce produit à proximité d'autres appareils électroniques pourrait affecter la qualité de réception des ondes radio et rendre la communication instable.
- N'installez pas le produit dans un endroit exposé à des champs magnétiques puissants. Sinon, cela pourrait causer un dysfonctionnement du produit.
- N'exposez pas le produit à une poussière ou des vibrations excessives, ni à des températures très élevées ou très basses pour éviter un endommagement de la finition, un fonctionnement instable ou un endommagement des composants internes.
- N'utilisez pas le produit dans des endroits soumis à des changements extrêmes de température. Sinon, la formation de condensation à l'intérieur ou à la surface extérieure du produit pourrait l'endommager.
- Si vous suspectez la présence de condensation, laissez le produit hors tension pendant plusieurs heures jusqu'à ce que la condensation ait complètement disparu, afin d'éviter les risques de dommages.
- N'utilisez pas de câble réseau qui entre en contact avec le boîtier du produit ou exerce une force excessive sur le connecteur.
- Ne touchez jamais l'intérieur d'un connecteur et n'y insérez jamais aucun objet métallique.
- Ne posez pas d'objets en vinyle, plastique ou caoutchouc sur le produit, car cela pourrait altérer ou décolorer sa finition.
- Utilisez un chiffon doux et sec pour le nettoyage du produit. N'utilisez jamais de diluant à peinture, de solvant, de liquide de nettoyage ni de chiffon de lavage chimique, car cela pourrait altérer ou décolorer la finition du boîtier.
- Les dissipateurs thermiques (sur le dessous) absorbent la chaleur interne; ne les touchez jamais directement de vos mains. En outre, veillez à ce qu'aucun objet sensible à la chaleur n'entre jamais en contact avec les dissipateurs thermiques.



INFORMATIONS

À propos des fonctions/données fournies avec le produit

- Avertissement: Ce produit est un appareil de classe A. Le fonctionnement de ce produit dans une zone résidentielle pourrait causer des interférences radio.
- Ce produit est conforme à la norme DECT de 1,9 GHz. Si ce produit est utilisé dans un environnement où des signaux de radiodiffusion numérique CS sont reçus ou des dispositifs PHS utilisés, les ondes radio pourraient interférer entre elles et affecter la radiodiffusion et la communication.
- Ce produit exploite le logiciel Dante Broadway. Pour des détails sur les licences Open Source de ce logiciel, consultez le site Internet d'Audinate (en anglais).
<https://www.audinate.com/software-licensing>
- Consultez le site Internet suivant pour des informations sur les conditions de licence du logiciel libre utilisé avec ce produit.
États-Unis et Canada
<https://uc.yamaha.com/support/>
Autres pays
<https://download.yamaha.com/>

À propos de ce manuel

- Dans ce manuel, les informations importantes sont repérées par les intitulés suivants:

 AVERTISSEMENT	Ce contenu indique « un risque de blessures graves ou de mort ».
 ATTENTION	Ce contenu indique « un risque de blessures ».
AVIS	Indique des consignes que vous devez respecter afin d'éviter toute défaillance, dommage ou dysfonctionnement du produit et toute perte de données.
IMPORTANT	Indique des informations cruciales pour une utilisation et un fonctionnement corrects du produit.
NOTE	Indique des informations complémentaires liées à l'utilisation et au fonctionnement du produit. Ces informations sont fournies pour votre référence.

- Les illustrations figurant dans ce manuel servent uniquement à expliciter les instructions.
- Les noms de société et les noms de produit mentionnés dans ce manuel sont des marques commerciales ou des marques déposées de leurs sociétés respectives.
- Yamaha apporte régulièrement des améliorations et offre des mises à jour du logiciel inclus dans ce produit. Vous pouvez télécharger la version la plus récente du logiciel sur le site internet de Yamaha.
- Avertissement: Toute copie non autorisée de ce document, partielle ou intégrale, est interdite.

À propos du transfert de propriété/de la mise au rebut

- Si vous transférez le produit à un tiers, veillez à lui fournir également ce manuel et les accessoires du produit.
- Avant de transférer la propriété de ce produit ou de le mettre au rebut, initialisez ses réglages. Si vous transférez le produit ou le mettez au rebut sans initialiser ses réglages, vos données personnelles risquent d'être récupérées par des tiers.
- Ce produit contient des composants recyclables. Au moment de la mise au rebut de ce produit, veuillez contacter les autorités compétentes de votre région.

INTRODUCTION

Nous vous remercions d'avoir choisi le point d'accès pour microphone Yamaha RM-WAP-8. Cet appareil est un point d'accès alimenté via PoE. Il prend en charge la norme DECT de 1,9 GHz et Dante, et peut être utilisé avec un microphone sans fil dédié. Veuillez à lire entièrement ce manuel avant d'utiliser le produit.

Éléments inclus dans l'emballage

- Support de montage : 1
- Mode d'emploi (ce document) : 1

Manuels de référence

Avant de pouvoir utiliser ce produit, il est impératif d'effectuer les réglages initiaux, tels que l'appariement à un microphone sans fil. Pour des détails sur la procédure des réglages initiaux, sur les fonctions et les caractéristiques, lisez le Manuel de référence du système de micro sans fil de la série RM. Ce document est aussi disponible sur le site internet de Yamaha.

États-Unis et Canada

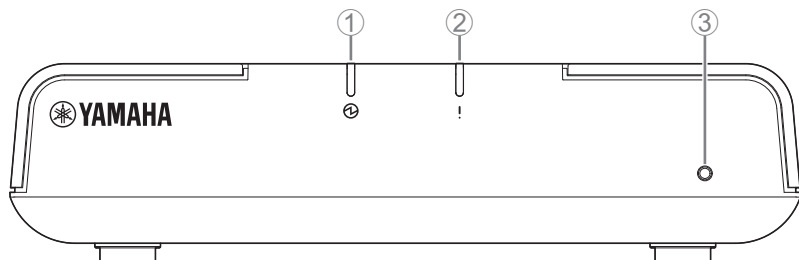
<https://uc.yamaha.com/support/>

Autres pays

<https://download.yamaha.com/>

COMMANDES ET FONCTIONS

Panneau avant



① **Témoin d'alimentation**

② **Témoin de statut**

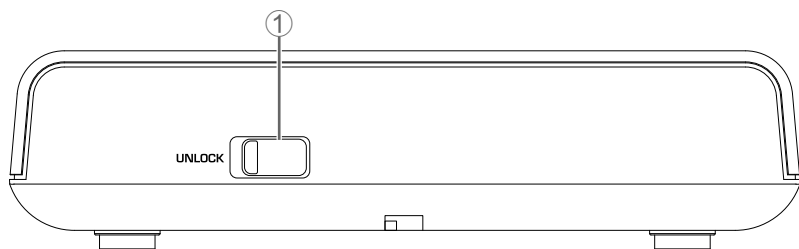
Indique le statut de cette unité via une couleur et un motif de clignotement. Pour plus d'informations, reportez-vous au Manuel de référence.

③ **Bouton de réinitialisation**

Sert à initialiser les paramètres via une longue pression appliquée avec un objet à extrémité pointue.

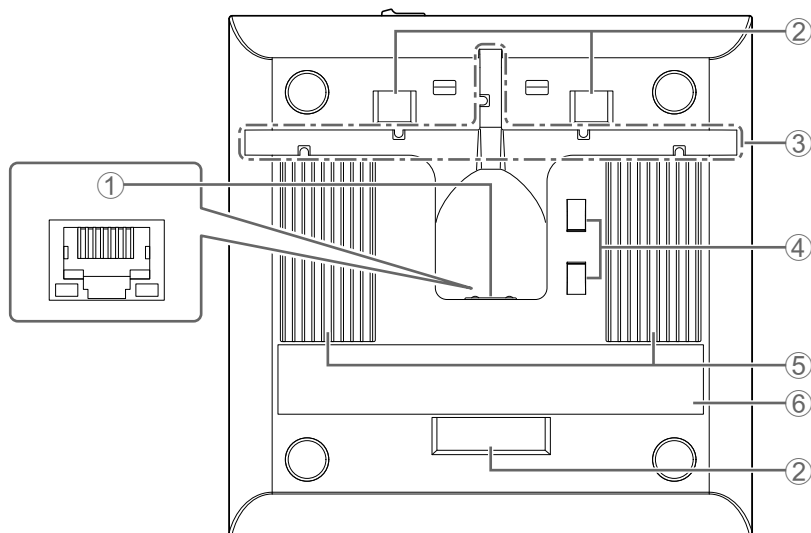
Longue pression	Témoin de statut	Paramètres initialisés
Entre 4 et 8 secondes	Clignote en bleu deux fois par seconde (durant une longue pression/ l'initialisation)	Paramètres réseau (le système redémarre automatiquement après l'initialisation)
Entre 8 et 12 secondes	Clignote en bleu trois fois par seconde (durant une longue pression/ l'initialisation)	Tous les paramètres (le système redémarre automatiquement après l'initialisation)

Panneau arrière



① **Levier UNLOCK**

Sert à libérer cette unité de son support de montage. Pour plus d'informations, reportez-vous à la page 49.



① Port Dante/PoE

Ce port RJ-45 permet de relier un câble réseau (CAT5e ou supérieur) via un injecteur PoE conforme IEEE802.3af ou le commutateur de réseau PoE à un dispositif Dante. Pour plus d'informations sur les injecteurs, reportez-vous au Manuel de référence.

AVIS : Ne connectez pas ce produit directement à un réseau WiFi public ni à un service internet. Connectez uniquement ce produit à l'internet via un routeur doté d'une protection via un mot de passe fort. Consultez le fabricant de votre routeur pour des informations sur la méthode offrant une sécurité optimale.

: Connectez exclusivement un dispositif compatible Dante ou prenant en charge gigabit Ethernet (y compris un ordinateur).

② Encoches de montage

Servent à accrocher le support de montage.

③ Passe-câble

Il permet d'acheminer le câble réseau si nécessaire.

④ Orifices de fixation pour câble de sécurité

Servent à fixer un câble de sécurité disponible dans le commerce.

⑤ Dissipateurs thermiques

Permettent d'évacuer la chaleur interne.

AVIS : Les dissipateurs thermiques absorbent la chaleur interne; ne les touchez jamais directement de vos mains. Évitez en outre tout contact direct avec des objets sensibles à la chaleur.

⑥ Étiquette de modèle

Fournit des informations sur cette unité et des symboles de conformité à diverses normes.

MONTAGE SUR UN PLAFOND OU UN MUR

Vous pouvez monter cette unité sur un plafond ou un mur en utilisant son support de montage.

Préparez les éléments suivants.

- Cette unité
- Support de montage (fourni)
- Vis disponibles dans le commerce × 4
- Câble de sécurité disponible dans le commerce



ATTENTION : Veillez à utiliser des vis et câbles de sécurité adaptés aux matériaux du mur ou plafond.

L'utilisation de fixations inadaptées pourrait causer la chute de l'unité ou du support de montage, entraînant des blessures ou des dysfonctionnements.

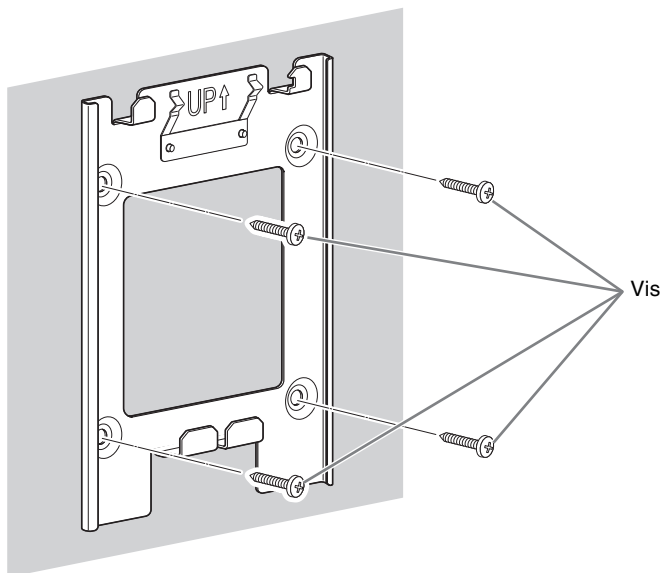
1. Fixez le support de montage au mur ou au plafond à l'aide de quatre vis disponibles dans le commerce.

Ces orifices de montage des vis ont un diamètre de cinq mm.



ATTENTION : Quand vous fixez l'unité sur un mur, assurez-vous que le côté repéré par l'indication « UP » se trouve en haut.

S'il se trouve en bas, l'unité risque de tomber et de causer des blessures ou des dysfonctionnements.



2. Branchez le câble réseau au port Dante/PoE.

AVIS : Utilisez un câble blindé à paires torsadées (STP) pour éviter les interférences électromagnétiques.

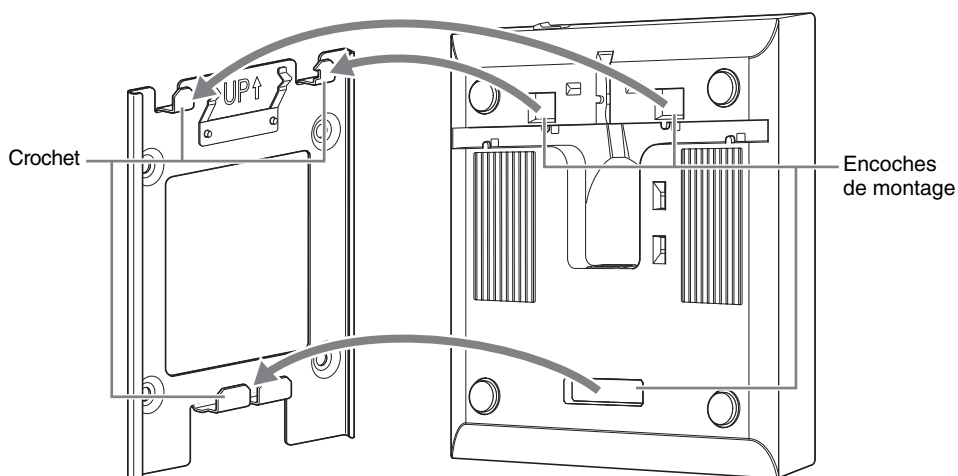
: Après avoir débranché le câble réseau du port Dante/PoE, attendez au moins cinq secondes avant de le rebrancher. Sinon, cela pourrait causer un endommagement ou un dysfonctionnement du produit.

NOTE : Nous recommandons l'utilisation de câbles Single Pair Ethernet (SPE) pour assurer une alimentation stable via PoE.

: Si nécessaire, acheminez le câble réseau à travers les passe-câbles.

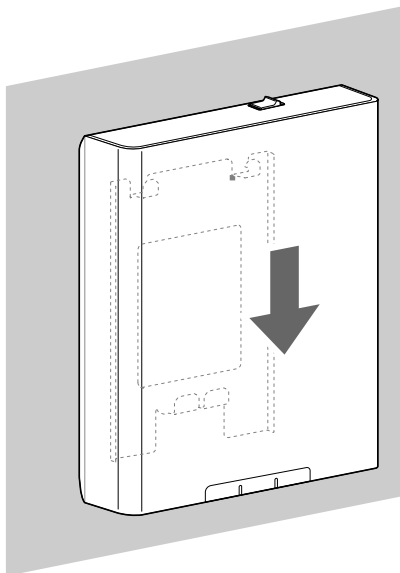
3. Fixez un câble de sécurité disponible dans le commerce.

4. Alignez les crochets du support de montage avec les encoches (orifices) de montage sur cette unité.

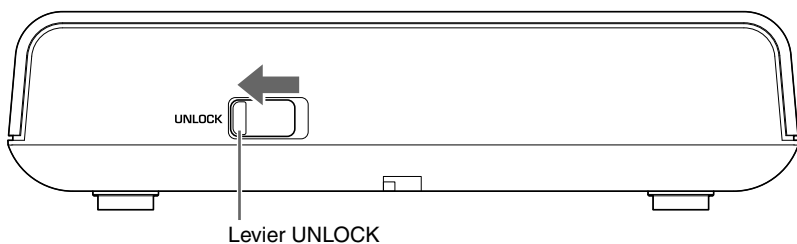


5. Glissez cette unité pour loger les crochets en place.

Le montage est terminé. Par mesure de sécurité, vérifiez que l'unité ne se détache pas du support de montage quand vous appliquez une pression sur l'unité.



NOTE : Pour libérer cette unité du support de montage, glissez l'unité dans la direction contraire de la procédure de montage tout en déplaçant le levier UNLOCK du panneau arrière (présent sur le bord supérieur illustré ci-dessus) dans la direction indiquée ci-dessous.



NOTE : Vous pouvez aussi monter cette unité sur une surface plane. Placez-la sur une surface sans encombre comme un bureau ou une étagère. Ne l'installez pas sur une étagère où des obstacles bloquent le flux d'air et ne la posez pas sur des objets sensibles à la chaleur.

SPÉCIFICATIONS PRINCIPALES

Spécifications générales

Dimensions	L 171,2 mm × P 172,5 mm × H 42,8 mm	
Poids	650 g (y compris le support de montage)	
Puissance requise	PoE (IEEE802.3af), 48 V CC	
Consommation maximale	48 V, 0,2 A	
Durant le fonctionnement	Température	0 °C – 40 °C
	Humidité	20% – 85% (sans condensation)
Remisage	Température	–20 °C – 60 °C
	Humidité	10% – 90% (sans condensation)
Témoins	<ul style="list-style-type: none">• Alimentation• Statut• Port réseau	
Accessoires	<ul style="list-style-type: none">• Support de montage : 1• Mode d'emploi (ce document) : 1	

Spécifications réseau

Port Dante/PoE	<ul style="list-style-type: none">• Transmission du son et des commandes via Dante• Commande externe• PoE• Type de câble: CAT5e ou supérieur, STP
----------------	--

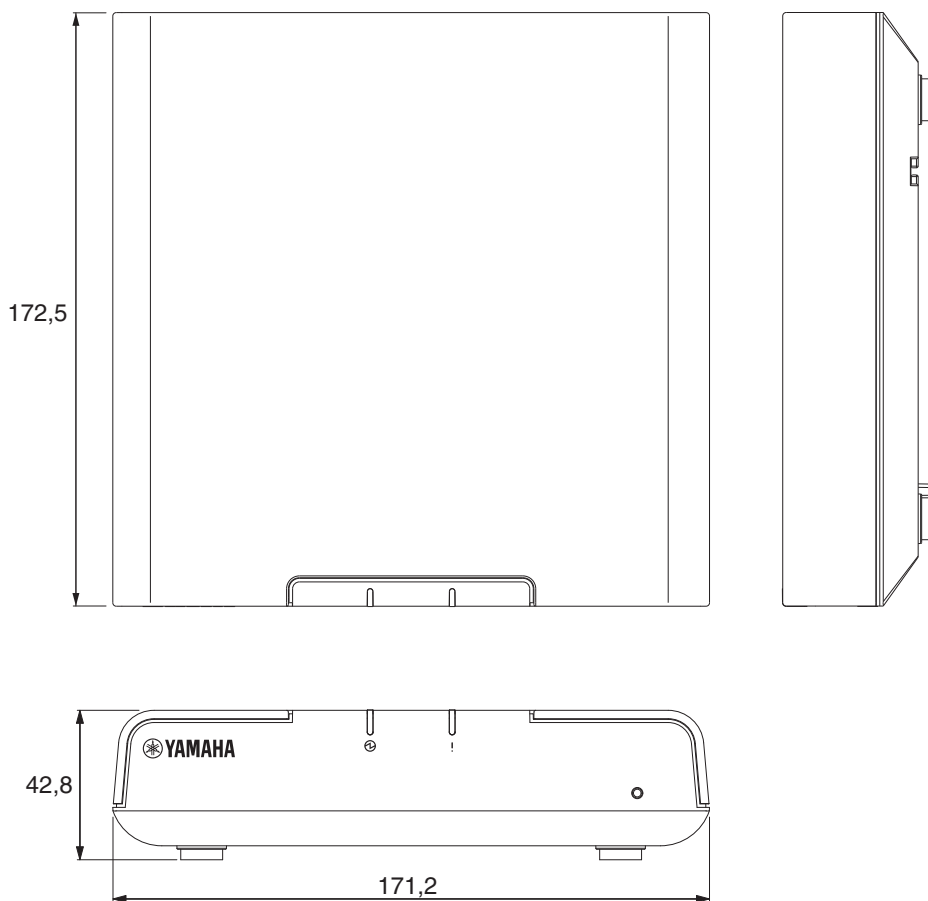
Caractéristiques sans fil

Norme prise en charge	1,9 GHz DECT
Fréquence radio	<ul style="list-style-type: none">• États-Unis/Canada: 1920.0 – 1930.0 MHz• Europe/Europe du Nord/R.-U./Australie/Nouvelle-Zélande: 1880.0 – 1900.0 MHz• Japon: 1893.5 – 1906.1 MHz
Puissance de transmission maximum (EIRP)	<ul style="list-style-type: none">• États-Unis/Canada: 23,5 dBm• Europe/Europe du Nord/R.-U./Australie/Nouvelle-Zélande/Japon: 26,5 dBm
Antenne (intégrée)	Diversité d'antenne prise en charge
Applications	<ul style="list-style-type: none">• Communication audio et commande entre le point d'accès et le microphone• Commande entre le point d'accès et le chargeur
Portée maximum	50 m (selon l'environnement d'utilisation)
Méthode de cryptage	AES (256 bits)

Le contenu de ce mode d'emploi s'applique aux dernières caractéristiques techniques connues à la date de publication du manuel. Pour obtenir la version la plus récente du manuel, accédez au site Web de Yamaha puis téléchargez le fichier du manuel concerné.

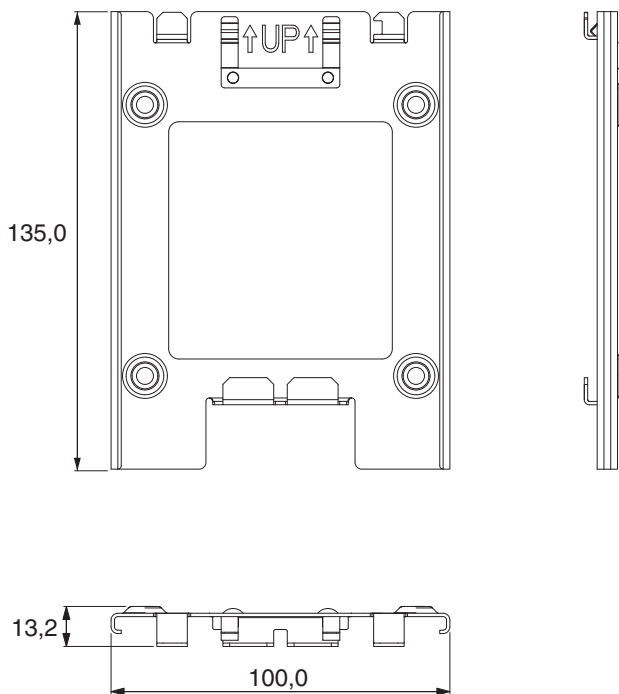
Schéma dimensionnel

Cette unité



Unité : mm

Support de montage



Unité : mm

Informations concernant la collecte et le traitement des déchets d'équipements électriques et électroniques



Le symbole sur les produits, l'emballage et/ou les documents joints signifie que les produits électriques ou électroniques usagés ne doivent pas être mélangés avec les déchets domestiques habituels.

Pour un traitement, une récupération et un recyclage appropriés des déchets d'équipements électriques et électroniques, veuillez les déposer aux points de collecte prévus à cet effet, conformément à la réglementation nationale.

En vous débarrassant correctement des déchets d'équipements électriques et électroniques, vous contribuerez à la sauvegarde de précieuses ressources et à la prévention de potentiels effets négatifs sur la santé humaine qui pourraient advenir lors d'un traitement inapproprié des déchets.

Pour plus d'informations à propos de la collecte et du recyclage des déchets d'équipements électriques et électroniques, veuillez contacter votre municipalité, votre service de traitement des déchets ou le point de vente où vous avez acheté les produits.

Pour les professionnels dans l'Union européenne:

Si vous souhaitez vous débarrasser des déchets d'équipements électriques et électroniques, veuillez contacter votre vendeur ou fournisseur pour plus d'informations.

Informations sur la mise au rebut dans d'autres pays en dehors de l'Union européenne:

Ce symbole est seulement valable dans l'Union européenne. Si vous souhaitez vous débarrasser de déchets d'équipements électriques et électroniques, veuillez contacter les autorités locales ou votre fournisseur et demander la méthode de traitement appropriée.

Cet équipement est conforme aux limites d'exposition aux rayonnements énoncées pour un environnement non contrôlé et respecte les règles d'exposition aux fréquences radioélectriques (RF) CNR-102 de l'ISDE. Cet équipement doit être installé et utilisé en gardant une distance de 20 cm ou plus entre le radiateur et le corps humain.

L'émetteur/récepteur exempt de licence contenu dans le présent appareil est conforme aux CNR d'Innovation, Sciences et Développement économique Canada applicables aux appareils radio exempts de licence. L'exploitation est autorisée aux deux conditions suivantes:

1. L'appareil ne doit pas produire de brouillage;
2. L'appareil doit accepter tout brouillage radioélectrique subi, même si le brouillage est susceptible d'en compromettre le fonctionnement.

CONTENIDO

PRECAUCIONES	57
AVISO	59
INFORMACIÓN	60
INTRODUCCIÓN	62
Elementos incluidos.....	62
Manuales de referencia	62
CONTROLES Y FUNCIONES	63
Panel delantero.....	63
Panel trasero.....	63
Panel inferior.....	64
INSTALACIÓN EN UNA PARED O TECHO	65
ESPECIFICACIONES PRINCIPALES	68
Diagrama de dimensiones	70

El número de modelo, el número de serie, los requisitos de alimentación, etc. pueden encontrarse en la placa de identificación o cerca de ella. Esta placa se encuentra en la parte inferior de la unidad. Debe anotar dicho número en el espacio proporcionado a continuación y conservar este manual como comprobante permanente de su compra para facilitar la identificación en caso de robo.

Nº de modelo

Nº de serie

PRECAUCIONES

LEA ATENTAMENTE LA SIGUIENTE INFORMACIÓN ANTES DE CONTINUAR.

Conserve este manual en un lugar seguro como referencia futura.

Yamaha no se hace responsable de los daños causados por un uso inapropiado o modificaciones del producto, ni de los datos perdidos o destruidos.



ADVERTENCIA

Siga siempre las precauciones básicas descritas a continuación para evitar la posibilidad de lesiones graves o mortales por descarga eléctrica, cortocircuito, daños, incendio u otros peligros. Entre estas precauciones se incluyen, entre otras, las siguientes:

Advertencia sobre el contacto con fuego

- No coloque objetos ardientes ni llamas abiertas cerca del producto, ya que existe riesgo de incendio.

Unidad inalámbrica

- No utilice este producto cerca de dispositivos médicos ni dentro de instalaciones sanitarias. Las ondas de radiofrecuencia de este producto pueden afectar a los dispositivos de electromedicina.
- No utilice este producto a menos de 15 cm de personas que tengan implantado un marcapasos o un desfibrilador. Las ondas de radiofrecuencia que emite este producto pueden afectar a los dispositivos de electromedicina implantados, como marcapasos o desfibriladores.

Ubicación

- Instale esta unidad siguiendo las instrucciones del manual. Si se cae puede causar lesiones o daños.
- Una vez terminada la instalación, confirme que es segura y fiable. Realice también inspecciones de seguridad periódicamente. De lo contrario, los dispositivos podrían caerse y provocar lesiones.



ATENCIÓN

Siga siempre las precauciones básicas descritas a continuación para evitar la posibilidad de que usted u otras personas sufran lesiones físicas. Entre estas precauciones se incluyen, entre otras, las siguientes:

Si observa cualquier anomalía

- Si se produce cualquiera de los siguientes problemas, desconecte de inmediato el cable LAN del producto.
 - El cable LAN se deshilacha o se estropea.
 - Se emiten humo u olores inusuales.
 - Un objeto o agua han caído al interior del producto.
 - Aparecen grietas u otros daños visibles en el producto.
- Pida al Servicio técnico cualificado de Yamaha que inspeccione o repare el producto.

No abrir

- Este producto no contiene piezas que pueda reparar el usuario. No intente desmontar las piezas internas ni modificarlas de manera alguna.

Atención sobre agua

- No exponga el producto a la lluvia, ni lo use cerca del agua o en lugares donde haya mucha humedad o donde pueda gotear agua, ni le ponga encima recipientes (como jarrones, botellas o vasos) que contengan líquido, ya que podrían derramarse y penetrar por las aberturas.

Ubicación y conexión

- Al conectar este producto con un inyector PoE o un conmutador de red con PoE, utilice un cable LAN que admita PoE. Si conecta un cable que no cumpla las especificaciones, o si conecta un cable de tipo plano o delgado, puede producirse un incendio o fallos de funcionamiento.
- Evite dañar el cable LAN. Si no se cumple esta precaución, puede producirse un incendio, una descarga eléctrica o daños en el producto.
 - No coloque objetos pesados sobre el cable.
 - No modifique el cable de ninguna manera.
 - No utilice grapas para fijar el cable en su lugar.
 - No aplique una fuerza excesiva sobre el cable.
 - Asegúrese de mantener el cable alejado de cualquier objeto caliente.
- No coloque el producto en una posición inestable o en una ubicación con vibraciones excesivas, donde pueda caerse accidentalmente y provocar lesiones.
- Mantenga este producto fuera alcance de los niños. Este producto no es adecuado para su uso en lugares donde es probable que haya niños.
- No coloque el producto en un lugar donde pueda entrar en contacto con gases corrosivos o aire salobre. Si ocurriera, podría dar lugar a un funcionamiento defectuoso.
- No coloque un cable LAN donde alguien pueda tropezar con él, como en un lugar por donde pase gente. Al tropezar con un cable, la persona o el producto se pueden caer, lo que provocará lesiones personales o daños en el producto.
- Antes de trasladar el producto, retire el cable LAN conectado.

Precauciones de uso

- No se apoye en el producto ni coloque objetos pesados encima.

AVISO

Para evitar la posibilidad de un fallo de funcionamiento o de que se produzcan daños en el producto, en los datos o en otros objetos, siga los avisos que se indican a continuación.

Manipulación y mantenimiento

- Utilice el producto a una distancia mínima de 20 cm del cuerpo humano. Este producto cumple los límites internacionales de exposición electromagnética establecidos para un entorno normal.
- No utilice el producto cerca de televisores, radios u otros aparatos eléctricos. De lo contrario, el aparato, el televisor o la radio podrían generar ruido.
- No utilice el producto cerca de un horno microondas. De lo contrario, existe el riesgo de que se produzcan interferencias electromagnéticas con la comunicación inalámbrica.
- Instale el producto en una ubicación alejada de otros dispositivos electrónicos. Si instala este producto cerca de otros dispositivos electrónicos, puede provocar que la calidad de las ondas de radio recibidas se vea afectada y que la comunicación se vuelva inestable.
- No instale el producto en una ubicación en la que los campos magnéticos sean intensos. De lo contrario, podría provocar un fallo de funcionamiento del producto.
- No exponga el producto a un exceso de polvo o vibraciones, ni a calor o frío intensos, para evitar la posibilidad de que se deforme, de que se dañen los componentes internos o de un funcionamiento inestable.
- No lo coloque en lugares con cambios de temperatura acusados. De lo contrario, puede formarse condensación en el interior o en la superficie del producto, lo que provocará su rotura.
- Si hay motivos para creer que se ha producido condensación, deje el producto apagado durante varias horas hasta que la condensación se haya secado por completo, para evitar posibles daños.
- No utilice un cable LAN que entre en contacto con la caja del producto ni aplique fuerza excesiva al conector.
- No toque el interior de un puerto con los dedos o con objetos metálicos.
- No coloque objetos de vinilo, plástico o goma sobre el producto, ya que podrían alterarlo o decolorarlo.
- Cuando limpie el producto, utilice un paño seco y suave. No use diluyentes de pintura, disolventes, líquidos limpiadores ni paños impregnados con productos químicos, ya que podrían provocar alteraciones o decoloración.
- Dado que los disipadores de calor (parte inferior) recogen el calor, no los toque directamente con las manos. Además, no permita que los objetos sensibles al calor entren en contacto directo con ellos.



INFORMACIÓN

Acerca de las funciones/datos incluidos con el producto

- Advertencia: Este es un producto de clase A. El uso de este producto en un entorno residencial podría provocar interferencias de radio.
- Este producto es compatible con el estándar DECT de 1,9 GHz. Si el producto se utiliza en un entorno en el que se reciben emisiones digitales CS o se utiliza PHS, las ondas de radio pueden interferir entre sí y afectar a las emisiones y la comunicación.
- Este producto utiliza el chip Dante Broadway. Consulte el sitio web de Audinate (en inglés) para ver información detallada sobre las licencias de código abierto del software concreto.
<https://www.audinate.com/software-licensing>
- Consulte en el sitio web que figura a continuación para ver las condiciones de licencia del software de código abierto utilizado en este producto.
EE. UU. y Canadá
<https://uc.yamaha.com/support/>
Otros países
<https://download.yamaha.com/>

Acerca de este manual

- Este manual utiliza las siguientes palabras indicadoras para la información importante:

 ADVERTENCIA	Este contenido está relacionado con “riesgo de lesiones graves o muerte.”
 ATENCIÓN	Este contenido está relacionado con “riesgo de lesiones.”
AVISO	Indica contenido que debe cumplir para evitar fallos de funcionamiento, daños o un funcionamiento incorrecto del producto, así como para evitar la pérdidas de datos.
IMPORTANTE	Indica contenido que debe conocer para operar y utilizar el producto correctamente.
NOTA	Indica información relacionada con el funcionamiento y el uso. Lea este contenido como referencia.

- Las ilustraciones que se muestran en este manual son únicamente orientativas.
- Los nombres de empresas y productos utilizados en este manual son marcas comerciales o marcas comerciales registradas de sus respectivos titulares.
- Yamaha realiza constantemente mejoras y actualizaciones del software incluido en este producto. Puede descargar el software más reciente en el sitio web de Yamaha.
- Advertencia: Se prohíbe la copia parcial o total no autorizada de este documento.

Acerca de la transferencia/eliminación

- Si transfiere el producto a un tercero, incluya este manual y los accesorios.
- Antes de transferir la propiedad o eliminar este producto, inicialice los ajustes a sus valores predeterminados. Si transfiere la propiedad o elimina este producto sin inicializar los ajustes, un tercero podría robar sus datos personales.
- Este producto contiene componentes reciclables. Para desechar este producto, póngase en contacto con las autoridades locales correspondientes.

INTRODUCCIÓN

Gracias por adquirir el punto de acceso de micrófono RM-WAP-8 de Yamaha. Esta unidad es un punto de acceso alimentado con PoE. Es compatible con el estándar DECT de 1,9 GHz y Dante, y de puede utilizar en combinación con un micrófono inalámbrico dedicado. Asegúrese de leer este manual antes de utilizar la unidad.

Elementos incluidos

- Soporte de montaje : 1
- Manual de instrucciones (este documento) : 1

Manuales de referencia

Para poder utilizar esta unidad, es necesario realizar algunos ajustes iniciales, como el emparejamiento con un micrófono inalámbrico. Para conocer más detalles sobre el procedimiento de ajuste inicial, las funciones y las especificaciones, lea el Manual de referencia del sistema de micrófono inalámbrico de la serie RM. Esta publicación está disponible en el sitio web de Yamaha.

EE. UU. y Canadá

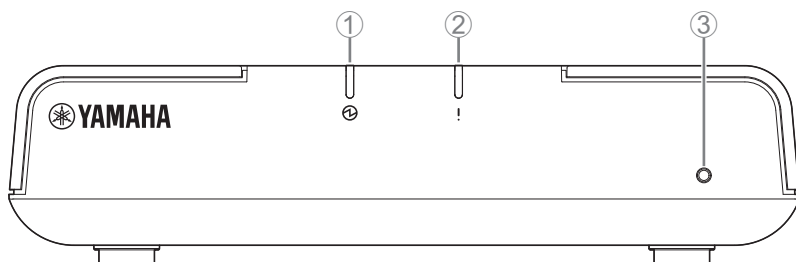
<https://uc.yamaha.com/support/>

Otros países

<https://download.yamaha.com/>

CONTROLES Y FUNCIONES

Panel delantero



① Indicador de alimentación

② Indicador de estado

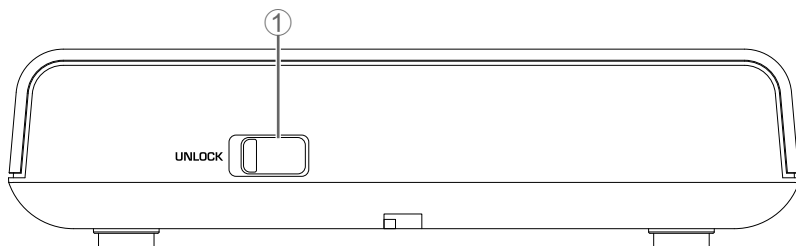
Indica el estado de esta unidad con un patrón de parpadeo y colores. Para conocer más detalles, consulte el Manual de referencia.

③ **Botón de restablecimiento**

Se utiliza para restablecer los ajustes realizando una pulsación larga con un objeto acabado en una punta fina y luego soltándolo.

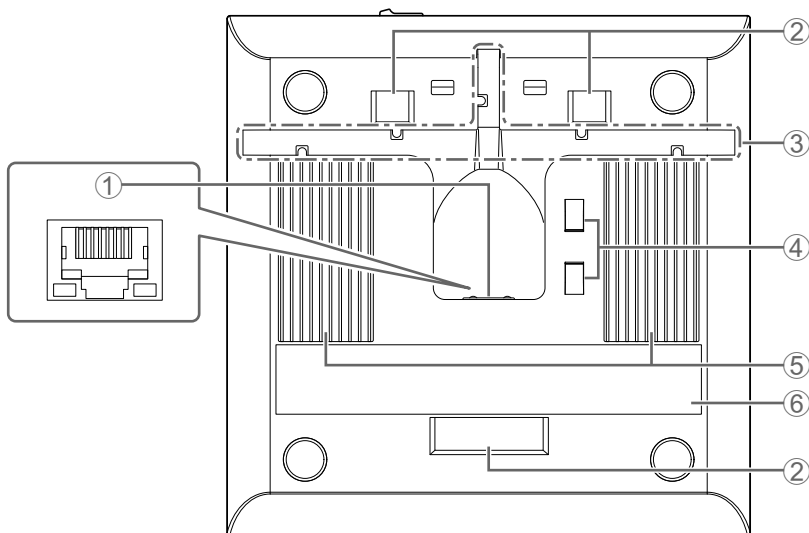
Pulsación larga	Indicador de estado	Objetivo de restablecimiento
Entre 4 segundos y menos de 8 segundos	Parpadea en azul dos veces por segundo (durante la pulsación larga/ restablecimiento)	Ajustes relacionados con la red (se reinicia automáticamente tras el restablecimiento)
Entre 8 segundos y menos de 12 segundos	Parpadea en azul tres veces por segundo (durante la pulsación larga/ restablecimiento)	Todos los ajustes (se reinicia automáticamente tras el restablecimiento)

Panel trasero



① **Conmutador UNLOCK**

Se utiliza para retirar esta unidad del soporte de montaje. Para conocer más detalles, consulte la página 67.



① Puerto Dante/PoE

Se trata de un puerto RJ-45 al que puede conectar un cable LAN (CAT5e o superior) a través de un inyector PoE conforme a la norma IEEE802.3af o el conmutador de red con PoE a una unidad Dante.

Para conocer más detalles sobre los inyectores, consulte el Manual de referencia.

AVISO : No conecte este producto directamente a una Wi-Fi pública o a un servicio de Internet. Conecte este producto a Internet solo a través de un enrutador que tenga una contraseña de alta seguridad. Consulte al fabricante del enrutador para obtener más información sobre las prácticas de seguridad óptimas.

: Conecte exclusivamente un dispositivo compatible con Dante o un dispositivo (incluido un ordenador) que admita Gigabit Ethernet.

② Cortes de montaje

Utilícelos para enganchar el producto al soporte de montaje.

③ Ranuras para cables

Utilícelas para dirigir el cable LAN si es necesario.

④ Orificios de montaje del cable de seguridad

Utilícelos para fijar un cable de seguridad disponible comercialmente.

⑤ Disipadores de calor

Permiten la expulsión del calor interno.

AVISO : Dado que los disipadores de calor recogen el calor, no los toque directamente con las manos. Además, evite el contacto directo con objetos sensibles al calor.

⑥ Etiqueta del producto

Proporciona información sobre esta unidad y marcas de conformidad con diversas normas.

INSTALACIÓN EN UNA PARED O TECHO

Esta unidad se puede montar en una pared o techo usando el soporte de montaje.

Prepare lo siguiente.

- Esta unidad
- Soporte de montaje (incluido)
- Tornillos disponibles comercialmente x 4
- Cable de seguridad disponible comercialmente



ATENCIÓN : Asegúrese de usar tornillos y cables de seguridad adecuados para el material de la pared o el techo.

Si utiliza materiales no adecuados puede provocar que la unidad o el soporte de montaje se caigan, lo que puede causar lesiones o fallos de funcionamiento.

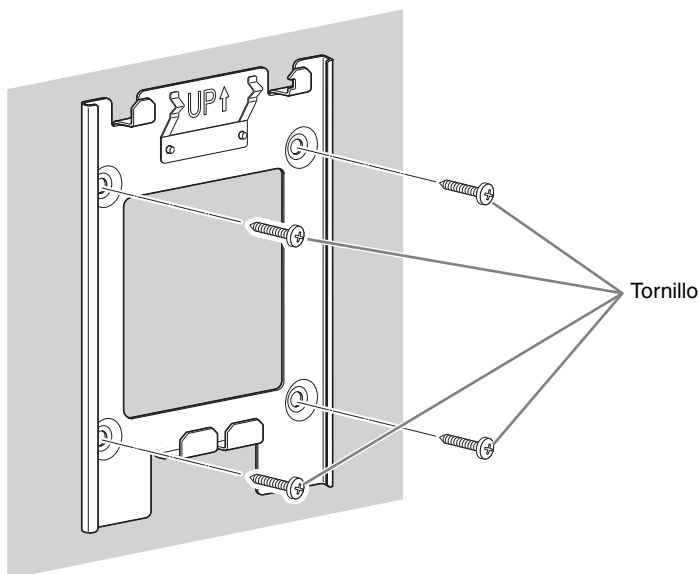
1. Fije el soporte de montaje a la pared o al techo con cuatro tornillos disponibles comercialmente.

El diámetro de los orificios de los tornillos es de cinco mm.



ATENCIÓN : Si lo va a fijar a una pared, asegúrese de que el lado marcado con "UP" está en la parte superior.

Si está en la parte inferior, la unidad puede caerse y provocar lesiones o fallos de funcionamiento.



2. Conecte el cable LAN al puerto Dante/PoE.

AVISO : Utilice el cable STP (par trenzado blindado) para evitar interferencias electromagnéticas.

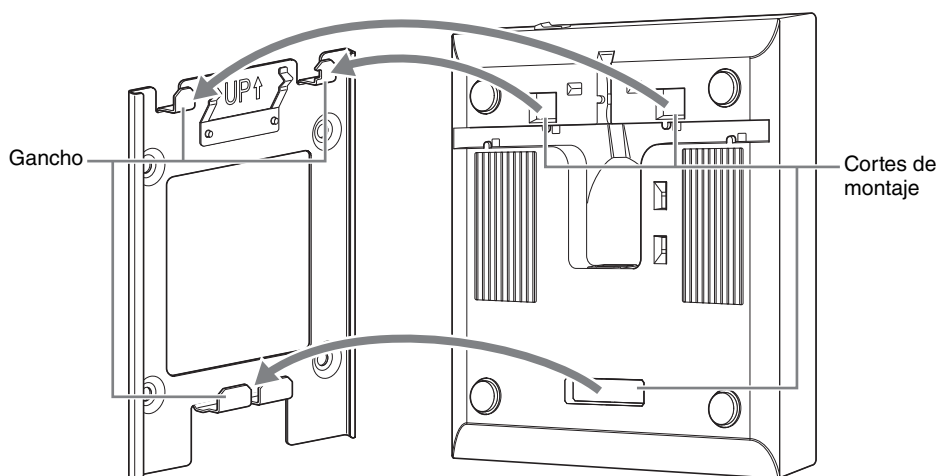
: Al desconectar el cable LAN del puerto Dante/PoE, espere al menos cinco segundos antes de volver a conectar el cable. De lo contrario, se pueden producir daños o fallos de funcionamiento.

NOTA : Se recomienda utilizar cables Ethernet de un solo par para estabilizar la alimentación a través de PoE.

: En caso necesario, pase el cable LAN por las ranuras para cables.

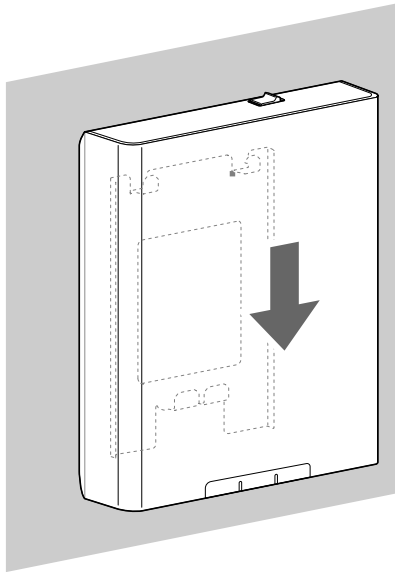
3. Fije un cable de seguridad disponible comercialmente.

4. Alinee los ganchos del soporte de montaje con los cortes (orificios) de montaje de esta unidad.

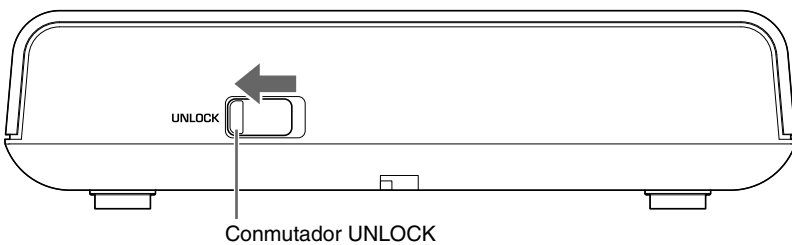


5. Deslice esta unidad para acoplar los ganchos.

Con esto finaliza la instalación. Por motivos de seguridad, asegúrese de que la unidad no se salga del soporte de montaje, aunque se ejerza fuerza sobre ella.



NOTA : Para retirar esta unidad del soporte de montaje, deslice la unidad en dirección opuesta a la de instalación mientras mueve el conmutador UNLOCK del panel trasero (borde superior en la ilustración anterior) en la dirección que se muestra a continuación.



NOTA : Esta unidad también se puede colocar sobre una superficie plana. Instálela en una zona despejada como un escritorio o una estantería. No la instale dentro de una estantería o donde el flujo de aire quede bloqueado por obstrucciones, y no la coloque sobre objetos sensibles al calor.

ESPECIFICACIONES PRINCIPALES

Especificaciones generales

Dimensiones	An. 171,2 mm × Prof. 172,5 mm × Al. 42,8 mm	
Peso	650 g (soporte de montaje incluido)	
Requisitos de alimentación	PoE (IEEE802.3af), 48 V CC	
Consumo de potencia máximo	48 V, 0,2 A	
En funcionamiento	Temperatura	0 °C – 40 °C
	Humedad	20% – 85% (sin condensación)
Almacenamiento	Temperatura	–20 °C – 60 °C
	Humedad	10% – 90% (sin condensación)
Indicadores	<ul style="list-style-type: none">• Alimentación• Estado• Puerto de red	
Accesorios	<ul style="list-style-type: none">• Soporte de montaje : 1• Manual de instrucciones (este documento) : 1	

Especificaciones de red

Puerto Dante/PoE	<ul style="list-style-type: none">• Audio Dante/Control Dante• Control externo• PoE• Requisitos de cable: CAT5e o superior, STP
------------------	--

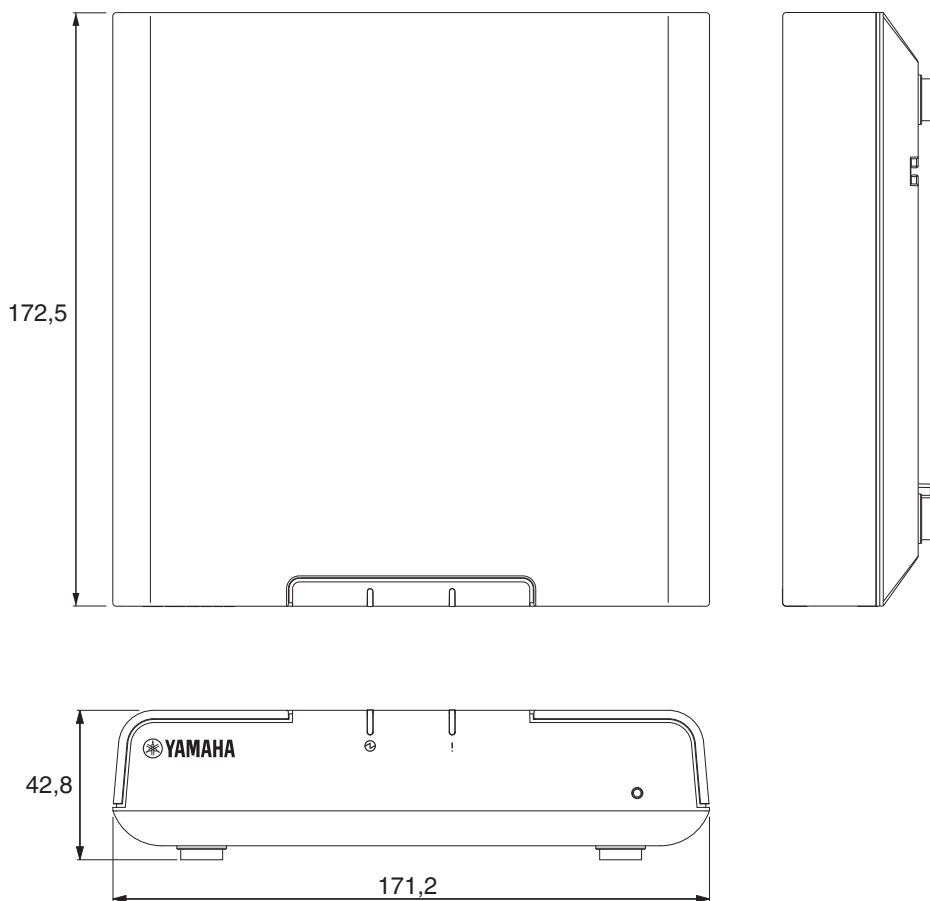
Especificaciones inalámbricas

Estándar admitido	Estándar DECT de 1,9 GHz
Radiofrecuencia	<ul style="list-style-type: none">• EE. UU./Canadá: 1920,0 MHz – 1930,0 MHz• Europa/Norte de Europa/Reino Unido/Australia/Nueva Zelanda: 1880,0 MHz – 1900,0 MHz• Japón: 1893,5 MHz – 1906,1 MHz
Potencia de salida máxima (EIRP)	<ul style="list-style-type: none">• EE. UU./Canadá: 23,5 dBm• Europa/Norte de Europa/Reino Unido/Australia/Nueva Zelanda/Japón: 26,5 dBm
Antena (integrada)	Compatible con diversos espacios
Uso	<ul style="list-style-type: none">• Comunicación y control de audio entre el punto de acceso y el micrófono• Control entre el punto de acceso y el cargador
Distancia máxima de cobertura	50 m (depende del entorno de uso)
Método de cifrado	AES (256 bits)

El contenido de este manual se aplica a las últimas especificaciones según la fecha de publicación. Para obtener el último manual, acceda al sitio web de Yamaha y descargue el archivo del manual.

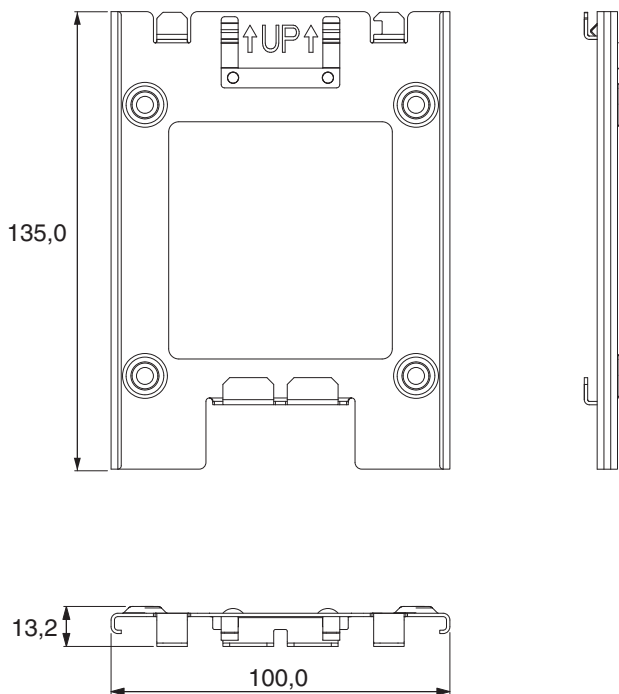
Diagrama de dimensiones

Esta unidad



Unidades: mm

Soporte de montaje



Unidades: mm

Información para usuarios sobre la recogida y eliminación de los equipos antiguos



Este símbolo en los productos, embalajes y documentos anexos significa que los productos eléctricos y electrónicos no deben mezclarse con los desperdicios domésticos normales.

Para el tratamiento, recuperación y reciclaje apropiados de los productos antiguos, llévelos a puntos de reciclaje correspondientes, de acuerdo con la legislación nacional.

Al deshacerse de estos productos de forma correcta, ayudará a ahorrar recursos valiosos y a impedir los posibles efectos desfavorables en la salud humana y en el entorno que de otro modo se producirían si se trataran los desperdicios de modo inapropiado.

Para obtener más información acerca de la recogida y el reciclaje de los productos antiguos, póngase en contacto con las autoridades locales, con el servicio de eliminación de basuras o con el punto de venta donde adquirió los artículos.

Para los usuarios empresariales de la Unión Europea:

Si desea desechar equipos eléctricos y electrónicos, póngase en contacto con su vendedor o proveedor para obtener más información.

Información sobre la eliminación en otros países fuera de la Unión Europea:

Este símbolo solo es válido en la Unión Europea. Si desea desechar estos artículos, póngase en contacto con las autoridades locales o con el vendedor y pregúnteles el método correcto.

CONTEÚDO

PRECAUÇÕES	75
AVISO	77
INFORMAÇÃO	78
INTRODUÇÃO	80
Itens inclusos	80
Manuais de referência	80
CONTROLES E FUNÇÕES.....	81
Painel frontal.....	81
Painel traseiro.....	81
Painel inferior.....	82
INSTALANDO EM UMA PAREDE OU TETO.....	83
PRINCIPAIS ESPECIFICAÇÕES.....	86
Diagrama dimensional	88

O número de modelo, número de série, requisitos de energia, etc. podem ser encontrados na placa de nome, que está na parte inferior da unidade. Anote-o no espaço reservado abaixo e guarde este manual como registro de compra permanente para auxiliar na identificação do produto em caso de roubo.

Nº de modelo

Nº de série

PRECAUÇÕES

LEIA ATENTAMENTE ANTES DE PROSSEGUIR

Por favor guarde este manual em um lugar seguro para futuras consultas.

A Yamaha não se responsabiliza por danos causados pelo uso inadequado ou por modificações no produto ou por dados perdidos ou destruídos.



ADVERTÊNCIA

Sempre siga as precauções básicas listadas abaixo para evitar a possibilidade de ferimentos graves ou até a morte por choque elétrico, curto-circuito, danos, incêndio ou outros perigos. Essas precauções incluem, entre outras, o seguinte:

Advertência relativa a fogo

- Não coloque itens em chamas ou chamas próximas ao produto, pois podem causar incêndio.

Unidade sem fio

- Não use este produto perto de dispositivos médicos ou dentro de instalações médicas. As ondas de rádio deste produto podem afetar dispositivos eletromédicos.
- Não use este produto a até 15 cm de pessoas com implante de marcapasso cardíaco ou desfibrilador. As ondas de rádio deste produto podem afetar dispositivos eletromédicos, como implantes de marcapasso cardíaco ou desfibrilador.

Localização

- Instale do modo indicado no manual. A queda pode resultar em ferimentos ou danos.
- Confirme que a instalação finalizada está segura. Além disso, realize inspeções de segurança periodicamente. O não cumprimento deste pode fazer com que os dispositivos caiam, resultando em lesões.



CUIDADO

Sempre siga as precauções básicas listadas abaixo para evitar a possibilidade de lesões físicas a você ou a outras pessoas. Essas precauções incluem, entre outras, o seguinte:

Se você perceber alguma anormalidade

- Se ocorrer algum dos problemas a seguir, desconecte imediatamente o cabo LAN do produto.
 - O cabo LAN está gasto ou danificado.
 - Cheiros incomuns ou fumaça são emitidos.
 - Algum objeto ou água foi jogada no produto.
 - Rachaduras ou outros danos visíveis aparecem no produto.
- Depois, inspecione ou conserte o produto por pessoal qualificado da Yamaha.

Não abra

- Este produto não contém peças que possam ser reparadas pelo usuário. Não tente desmontar as peças internas ou modificá-las de qualquer forma.

Cuidado com a água

- Não exponha o produto à chuva, use-o próximo à água ou em condições úmidas ou molhadas, nem coloque sobre ele recipientes (como vasos, garrafas ou copos) que contenham líquidos que possam derramar em qualquer abertura.

Localização e conexão

- Ao conectar este produto com um injetor PoE ou comutador de rede PoE, use um cabo LAN que suporte PoE. Se você conectar um cabo que não esteja em conformidade com as especificações ou conectar um cabo plano ou fino, poderá ocorrer incêndio ou mau funcionamento.
- Não danifique o cabo LAN. A inobservância desta precaução pode resultar em incêndio, choque elétrico ou danos ao produto.
 - Não coloque objetos pesados sobre o cabo.
 - Não processe o cabo de forma alguma.
 - Não use grampos para fixar o cabo no lugar.
 - Não aplique uma força excessiva no cabo.
 - Mantenha o cabo longe de qualquer coisa quente.
- Não coloque o produto em uma posição instável ou em um local com vibração excessiva, onde possa cair acidentalmente e causar ferimentos.
- Mantenha este produto fora do alcance das crianças. Este produto não é adequado para uso em locais onde é provável que crianças estejam presentes.
- Não coloque o produto em um local em que possa entrar em contato com gases corrosivos ou ar salgado. Fazer isso pode causar maus funcionamentos.
- Não direcione um cabo LAN onde alguém possa tropeçar neles, como em um local onde as pessoas passam. Tropeçar em um cabo pode fazer com que uma pessoa ou este produto caia, resultando em ferimentos pessoais ou danos ao produto.
- Antes de mover o produto, remova o cabo LAN conectado.

Cuidado relativo ao manuseio

- Não descanse seu peso sobre o produto nem coloque objetos pesados sobre ele.

AVISO

Para evitar a possibilidade de mau funcionamento / danos ao produto, danos aos dados ou danos a outras propriedades, siga os avisos abaixo.

Manuseio e manutenção

- Use o produto a uma distância de pelo menos 20 cm do corpo humano. Este produto está em conformidade com os limites internacionais de exposição eletromagnética estabelecidos para um ambiente normal.
- Não use o produto próximo a uma TV, rádio ou outros produtos elétricos. Caso contrário, o produto, a TV ou o rádio podem gerar ruído.
- Não use o produto próximo a um forno de micro-ondas. Caso contrário, existe o risco de interferência eletromagnética na comunicação sem fio.
- Instale o produto em um local longe de outros dispositivos eletrônicos. Instalar este produto próximo a outros dispositivos eletrônicos pode prejudicar a qualidade das ondas de rádio recebidas e tornar a comunicação instável.
- Não instale o produto em um local onde os campos magnéticos sejam fortes. Caso contrário, isso pode causar o mau funcionamento do produto.
- Não exponha o produto a poeira ou vibração excessiva, ou frio ou calor extremos, para evitar a possibilidade de desfiguração, operação instável ou danos aos componentes internos.
- Não instale em locais onde as mudanças de temperatura são severas. Caso contrário, poderá ocorrer condensação no interior ou na superfície do produto, causando a sua ruptura.
- Se houver motivos para acreditar que possa ter ocorrido condensação, deixe o produto por várias horas sem ligar a energia até que a condensação seque completamente, a fim de evitar possíveis danos.
- Não use um cabo LAN que entre em contato com a caixa do produto ou aplique força excessiva ao conector.
- Não toque no interior de uma porta com os dedos ou qualquer objeto metálico.
- Não coloque objetos de vinil, plástico ou borracha sobre o produto, pois isso pode causar alteração ou descoloração.
- Ao limpar o produto, use um pano seco e macio. Não use diluentes, solventes, líquidos de limpeza ou panos impregnados com produtos químicos, pois isso pode causar alterações ou descoloração.
- Como os dissipadores de calor (parte inferior) coletam calor, não os toque diretamente com as mãos. Além disso, não permita que objetos sensíveis ao calor entrem em contato direto com eles.



INFORMAÇÃO

Sobre funções / dados fornecidos com o produto

- Advertência: Este é um produto de classe A. A operação deste produto em um ambiente residencial pode causar interferência de rádio.
- Este produto é compatível com o padrão DECT de 1,9 GHz. Se o produto for usado em um ambiente onde a transmissão digital CS está sendo recebida ou onde o PHS é usado, as ondas de rádio podem interferir umas nas outras, afetando a transmissão e a comunicação.
- Este produto usa Dante Broadway. Consulte o site da Audinate (em inglês) para obter detalhes sobre as licenças de código aberto para o software específico.
<https://www.audinate.com/software-licensing>
- Consulte o site abaixo para obter os termos de licença do software de código aberto usado neste produto.
EUA e Canadá
<https://uc.yamaha.com/support/>
Outros Países
<https://download.yamaha.com/>

Sobre este manual

- Este manual usa as seguintes palavras de sinalização para as informações importantes:

 ADVERTÊNCIAS	Este conteúdo indica “risco de ferimentos graves ou morte.”
 CUIDADO	Este conteúdo indica “risco de ferimentos.”
AVISO	Indica o conteúdo que você deve observar para impedir que o produto funcione incorretamente, seja danificado ou funcione incorretamente e para evitar a perda de dados.
IMPORTANTE	Indica o conteúdo que você deve conhecer para operar e usar o produto corretamente.
OBSERVAÇÃO	Indica informações relacionadas à operação e uso. Leia isto para sua referência.

- As ilustrações mostradas neste manual são apenas para fins instrucionais.
- Os nomes das empresas e dos produtos deste manual são as marcas comerciais ou as marcas comerciais registradas de suas respectivas empresas.
- A Yamaha efetua melhorias e atualizações de maneira constante no software incluído neste produto. Você pode baixar o software mais recente no site da Yamaha.
- Advertência: É proibida a cópia não autorizada deste documento, seja parcial ou total.

Sobre transferência / descarte

- Se você transferir o produto para terceiros, entregue este manual e os acessórios junto com ele.
- Antes de transferir a propriedade ou de eliminar este produto, restaure as definições do produto para as definições de fábrica. Se você transferir a propriedade ou eliminar este produto sem inicializar as definições, seus dados pessoais podem ser roubados por terceiros.
- Este produto contém componentes recicláveis. Ao descartar este produto, entre em contato com as autoridades locais apropriadas.

INTRODUÇÃO

Obrigado por adquirir o ponto de acesso do microfone Yamaha RM-WAP-8. Esta unidade é um ponto de acesso alimentado por PoE. É compatível com o padrão DECT de 1,9 GHz e Dante e pode ser usado em combinação com um microfone sem fio dedicado. Certifique-se de ler este manual antes de usar a unidade.

Itens inclusos

- Suporte de montagem : 1
- Manual do proprietário (este documento) : 1

Manuais de referência

Para usar esta unidade, são necessárias configurações iniciais, como emparelhamento com um microfone sem fio. Para obter detalhes sobre o procedimento de configuração inicial, funções e especificações, leia o Manual de Referência do Sistema de Microfone Sem Fio Série RM. Esta publicação está disponível no site da Yamaha.

EUA e Canadá

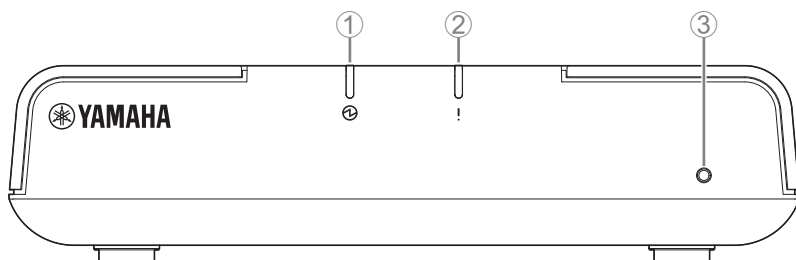
<https://uc.yamaha.com/support/>

Outros Países

<https://download.yamaha.com/>

CONTROLES E FUNÇÕES

Painel frontal



① **Indicador de energia**

② **Indicador de status**

Indica o status desta unidade usando uma cor e um padrão intermitente. Para obter detalhes, consulte o Manual de Referência.

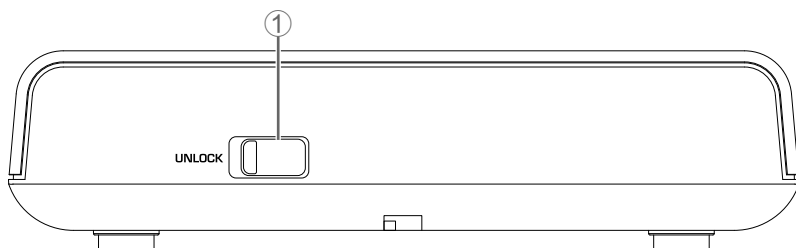
③ **Botão de reset**

Use para redefinir as configurações pressionando longamente com um objeto de ponta fina e, em seguida, soltando-o.

Português

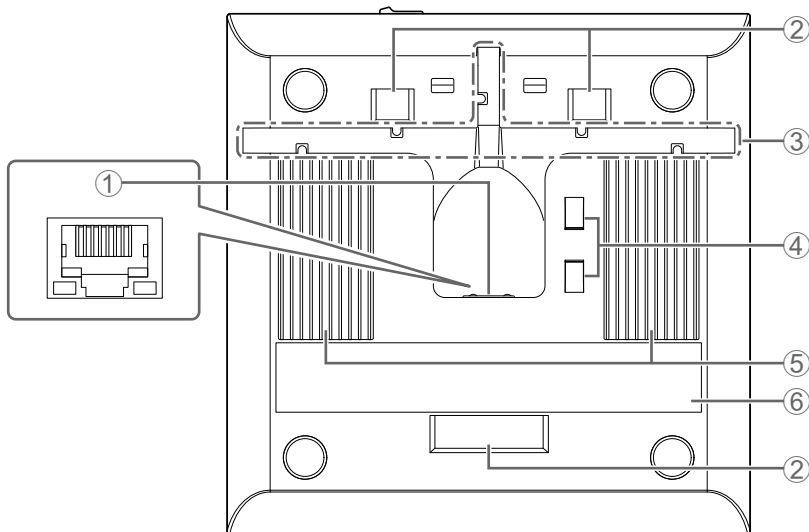
Pressão longa	Indicador de status	Redefinir destino
4 segundos a menos de 8 segundos	Pisca em azul duas vezes por segundo (durante pressionamento longo / reinicialização)	Configurações relacionadas à rede (reinicia automaticamente após a redefinição)
8 segundos a menos de 12 segundos	Pisca em azul três vezes por segundo (durante pressionamento longo / reinicialização)	Todas as configurações (reinicia automaticamente após a redefinição)

Painel traseiro



① **Chave UNLOCK**

Use para remover esta unidade do suporte de montagem. Para obter detalhes, consulte a página 85.



① Porta Dante / PoE

Esta é uma porta RJ-45 à qual você pode conectar um cabo LAN (CAT5e ou superior) por meio de um injetor PoE compatível com IEEE802.3af ou do switch de rede PoE a uma unidade Dante.

Para obter detalhes sobre injetores, consulte o Manual de Referência.

AVISO : Não conecte este produto diretamente a uma rede Wi-Fi e/ou de Internet pública. Somente conecte este produto à Internet usando um roteador com proteção por senha forte. Consulte o fabricante do roteador para obter mais informações sobre as melhores práticas de segurança.

: Não conecte nenhum dispositivo aqui que não seja um dispositivo compatível com Dante ou um dispositivo (incluindo um computador) que suporte Ethernet gigabit.

② Recortes de montagem

Use para enganchar no suporte de montagem.

③ Slots de cabo

Use para rotear o cabo LAN, se necessário.

④ Furos de montagem do fio de segurança

Use para conectar um fio de segurança disponível no mercado.

⑤ Dissipadores de calor

Permita que o calor interno escape.

AVISO : Como os dissipadores de calor coletam calor, não os toque diretamente com as mãos. Além disso, evite o contato direto com objetos sensíveis ao calor.

⑥ Rótulo do produto

Fornece informações sobre esta unidade e marcas de conformidade com vários padrões.

INSTALANDO EM UMA PAREDE OU TETO

Esta unidade pode ser montada em uma parede ou teto usando o suporte de montagem.

Prepare o seguinte.

- Esta unidade
- Suporte de montagem (incluído)
- Parafusos disponíveis comercialmente × 4
- Fio de segurança disponível comercialmente



CUIDADO : Certifique-se de usar parafusos e fios de segurança apropriados para o material da parede ou teto.

O uso de hardware inadequado pode causar a queda da unidade ou do suporte de montagem, resultando em ferimentos ou mau funcionamento.

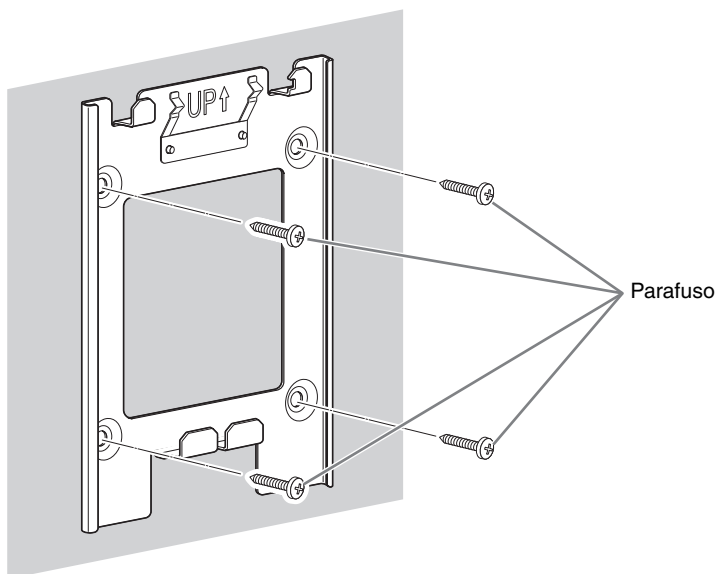
1. Prenda o suporte de montagem na parede ou teto com quatro parafusos disponíveis no mercado.

O diâmetro dos orifícios dos parafusos é de cinco mm.



CUIDADO : Ao fixar em uma parede, certifique-se de que o lado marcado com “UP” esteja na parte superior.

Se estiver na parte inferior, a unidade pode cair, causando ferimentos ou mau funcionamento.



2. Conecte o cabo LAN na porta Dante / PoE.

AVISO

: Use um cabo STP (par trançado blindado) para evitar interferência eletromagnética.

: Ao desconectar o cabo LAN da porta Dante / PoE, espere pelo menos cinco segundos antes de reconectar o cabo. Caso contrário, podem ocorrer danos ou mau funcionamento.

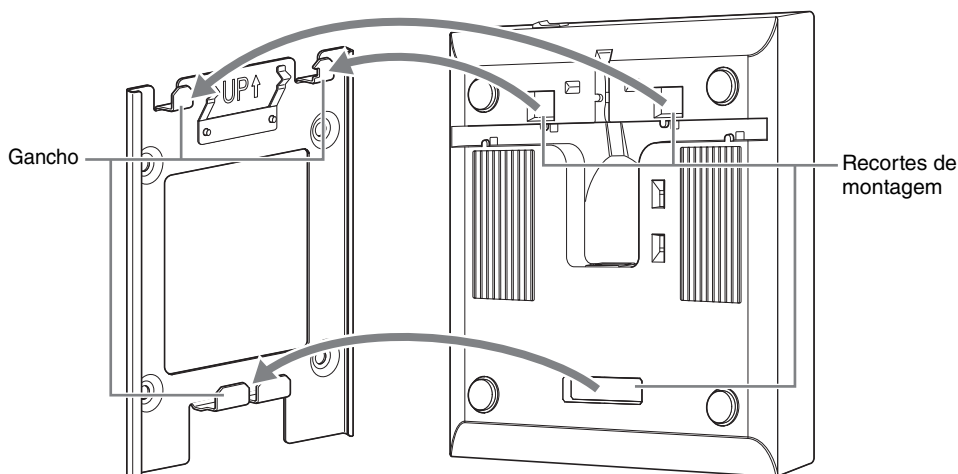
OBSERVAÇÃO

: Recomendamos o uso de cabos Ethernet de par único para estabilizar o fornecimento de energia via PoE.

: Se necessário, passe o cabo LAN pelos slots de cabo.

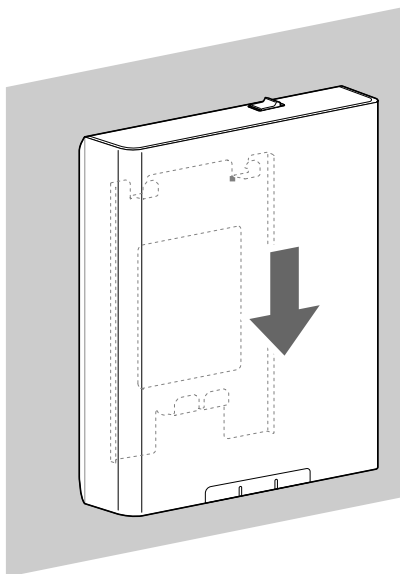
3. Conecte um fio de segurança disponível comercialmente.

4. Alinhe os ganchos do suporte de montagem com os recortes (orifícios) de montagem nesta unidade.

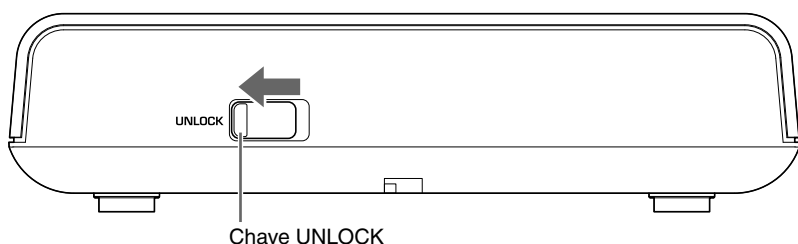


5. Deslize esta unidade para engatar os ganchos.

Isso conclui o guia de instalação. Por segurança, certifique-se de que a unidade não saia do suporte de montagem, mesmo quando for aplicada uma força à unidade.



OBSERVAÇÃO : Para remover esta unidade do suporte de montagem, deslize a unidade na direção oposta da instalação enquanto move a chave UNLOCK no painel traseiro (borda superior na ilustração acima) na direção mostrada abaixo.



OBSERVAÇÃO : Esta unidade também pode ser colocada em uma superfície plana. Instale-o em uma área aberta, como uma mesa ou prateleira. Não instale dentro de uma prateleira ou onde o fluxo de ar esteja bloqueado por obstruções e não coloque sobre objetos sensíveis ao calor.

PRINCIPAIS ESPECIFICAÇÕES

Especificações Gerais

Dimensões	L 171,2 mm × P 172,5 mm × A 42,8 mm	
Peso	650 g (incluindo suporte de montagem)	
Requerimentos de força	PoE (IEEE802.3af), 48 V DC	
Consumo máximo de energia	48 V, 0,2 A	
Em operação	Temperatura	0 ° C – 40 ° C
	Umidade	20% – 85% (sem condensação)
Armazenamento	Temperatura	-20 ° C – 60 ° C
	Umidade	10% – 90% (sem condensação)
Indicadores	<ul style="list-style-type: none">• Energia• Status• Porta de rede	
Acessórios	<ul style="list-style-type: none">• Suporte de montagem : 1• Manual do Proprietário (este documento) : 1	

Especificações de rede

Porta Dante / PoE	<ul style="list-style-type: none">• Áudio Dante / Controle Dante• Controle externo• PoE• Requisitos de cabo: CAT5e ou superior, STP
-------------------	--

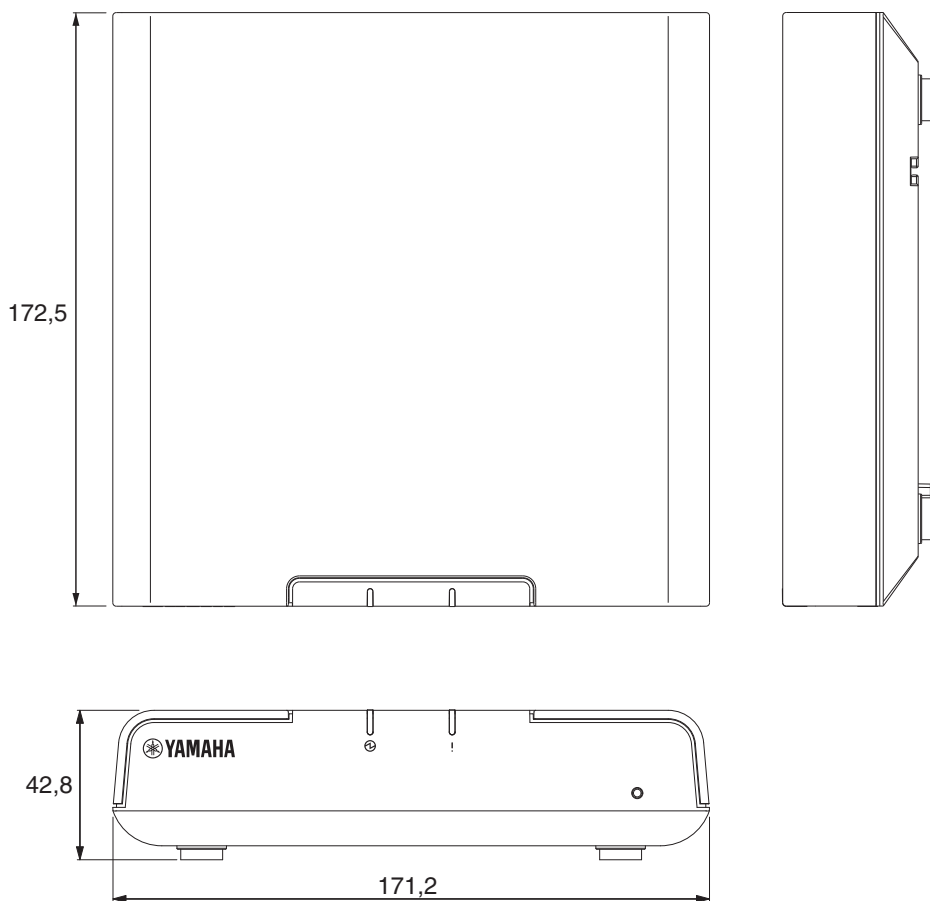
Especificações sem fio

Padrão suportado	Padrão DECT de 1,9 GHz
Frequência de rádio	<ul style="list-style-type: none">• EUA / Canadá: 1920,0 MHz – 1930,0 MHz• Europa / Norte da Europa / Reino Unido / Austrália / Nova Zelândia: 1880,0 MHz – 1900,0 MHz• Japão: 1893,5 MHz – 1906,1 MHz
Potência máxima de saída (EIRP)	<ul style="list-style-type: none">• EUA / Canadá: 23,5 dBm• Europa / Norte da Europa / Reino Unido / Austrália / Nova Zelândia / Japão: 26,5 dBm
Antena (embutida)	Suporta diversidade de espaço
Uso	<ul style="list-style-type: none">• Comunicação de áudio e controle entre o ponto de acesso e microfone• Controle entre ponto de acesso e carregador
Distância máxima de cobertura	50 m (depende do ambiente de uso)
Método de criptografia	AES (256 bits)

O conteúdo deste manual se aplica às especificações mais recentes a partir da data de publicação. Para obter o manual mais recente, acesse o site da Yamaha e faça o download do arquivo do manual.

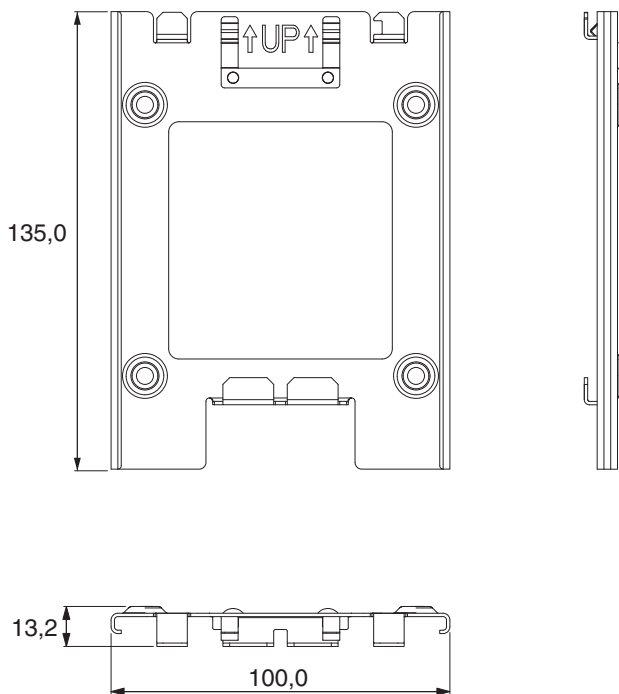
Diagrama dimensional

Esta unidade



Unidades: mm

Suporte de montagem



Unidades: mm

Informações para os utilizadores relativas à recolha e eliminação de equipamentos usados



Este símbolo, presente em produtos, embalagens e/ou incluído na documentação associada, indica que os produtos elétricos e eletrônicos usados não devem ser eliminados juntamente com os resíduos domésticos em geral.

O procedimento correto consiste no tratamento, recuperação e reciclagem de produtos usados, pelo que deve proceder à respetiva entrega nos pontos de recolha adequados, em conformidade com a legislação nacional em vigor.

A eliminação destes produtos de forma adequada permite poupar recursos valiosos e evitar potenciais efeitos prejudiciais para a saúde pública e para o ambiente, associados ao processamento incorreto dos resíduos.

Para mais informações relativas à recolha e reciclagem de produtos usados, contacte as autoridades locais, o serviço de eliminação de resíduos ou o ponto de venda onde foram adquiridos os itens relevantes.

Informações para utilizadores empresariais na União Europeia:

Para proceder à eliminação de equipamento elétrico e eletrónico, contacte o seu revendedor ou fornecedor para obter informações adicionais.

Informações relativas à eliminação em países não pertencentes à União Europeia:

Este símbolo é válido exclusivamente na União Europeia. Caso pretenda eliminar este tipo de itens, contacte as autoridades locais ou o seu revendedor e informe-se acerca do procedimento correto para proceder à respetiva eliminação.

INDICE

PRECAUZIONI	93
AVVISO	95
INFORMAZIONI	96
INTRODUZIONE	98
Elementi inclusi	98
Manuali di riferimento	98
CONTROLLI E FUNZIONI	99
Pannello anteriore	99
Pannello posteriore	99
Pannello inferiore	100
INSTALLAZIONE SU PARETE O SOFFITTO	101
SPECIFICHE PRINCIPALI	104
Diagramma dimensioni	106

Il numero di modello e quello di serie, i requisiti di alimentazione e altre informazioni del prodotto si trovano sulla piastrina o vicino alla stessa. La piastrina del prodotto si trova nella parte inferiore dell'unità. Annotare il numero di serie nello spazio indicato di seguito e conservare il manuale come documento di comprovazione dell'acquisto; in tal modo, in caso di furto, l'identificazione sarà più semplice.

Numero del modello

Numero di serie

PRECAUZIONI

LEGGERE ATTENTAMENTE PRIMA DI PROCEDERE

Conservare il presente manuale in un luogo sicuro per consultazioni future.

Yamaha declina qualsiasi responsabilità per lesioni personali o danni derivanti da un utilizzo non corretto o dalle modifiche apportate al prodotto, o dati persi o distrutti.



AVVERTENZA

Osservare sempre le seguenti precauzioni di base per evitare la possibilità di lesioni gravi o perfino morte per scossa elettrica, cortocircuito, danni, incendio o per altri pericoli. Queste precauzioni includono, a titolo esemplificativo ma non esaustivo:

Esposizione al fuoco

- Non posizionare oggetti accesi o fiamme vive in prossimità del prodotto per evitare il rischio di incendio.

Unità wireless

- Non usare nelle vicinanze di dispositivi medicali o all'interno di strutture mediche. Le onde radio emesse dal prodotto possono interferire con i dispositivi elettromedicali.
- Non usare questo prodotto a meno di 15 cm da persone dotate di pacemaker cardiaco o defibrillatore. Le onde radio emesse dal prodotto possono interferire con dispositivi elettromedicali quali pacemaker o defibrillatore.

Posizione

- Installare attenendosi alle istruzioni presenti nel manuale. La caduta potrebbe causare lesioni personali o danni.
- Assicurarsi di aver terminato l'installazione in modo sicuro. Condurre inoltre ispezioni di sicurezza periodiche. La mancata osservanza di questa precauzione può provocare la caduta di dispositivi e conseguenti lesioni personali.



ATTENZIONE

Osservare sempre le seguenti precauzioni di base per evitare la possibilità di lesioni. Queste precauzioni includono, a titolo esemplificativo ma non esaustivo:

Anomalie

- Se si verifica uno dei seguenti problemi, scollegare immediatamente il cavo LAN dal prodotto.
 - Il cavo LAN è diventato logoro o danneggiato.
 - Fumo od odori insoliti.
 - Nel prodotto è penetrata acqua o qualche oggetto.
 - Appaiono crepe o altri danni visibili appaiono sul prodotto.
- Fare quindi ispezionare o riparare il prodotto da personale di assistenza Yamaha qualificato.

Non aprire

- Questo prodotto non contiene parti manutenibili dall'utente. Non tentare di smontare o modificare le parti interne in alcun modo.

Attenzione all'acqua

- Non esporre il prodotto alla pioggia, non usarlo vicino all'acqua o in ambienti umidi o bagnati, non poggiarvi sopra contenitori (ad esempio, tazze, bicchieri o bottiglie) di liquidi che possano riversarsi in una delle aperture, né posizionarlo in luoghi soggetti a infiltrazioni.

Posizione e connessione

- In caso di collegamento del prodotto a un iniettore PoE o a uno switch di rete PoE, usare un cavo LAN che supporti PoE. Collegando un cavo non conforme alle specifiche o un cavo di tipo piatto o sottile, si possono verificare incendi o malfunzionamenti.
- Non danneggiare il cavo LAN. La mancata osservanza di tale precauzione può causare incendi, scosse elettriche o danni al prodotto.
 - Non appoggiare oggetti pesanti sul cavo.
 - Non modificare il cavo in alcun modo.
 - Non utilizzare graffette per fissare il cavo in posizione.
 - Non esercitare forza eccessiva sul cavo.
 - Assicurarsi di tenere il cavo lontano da fonti di calore.
- Non collocare l'unità in posizione instabile o in un luogo soggetto a vibrazioni eccessive, per evitare che cada accidentalmente e che possa causare lesioni.
- Tenere il prodotto lontano dalla portata dei bambini. Questo prodotto non è adatto all'uso in luoghi con presenza di bambini.
- Non posizionare il prodotto in posizioni in cui potrebbe venire a contatto con gas corrosivi o salsedine. La mancata osservanza di tale precauzione potrebbe causare un malfunzionamento.
- Non poggiare il cavo LAN in luoghi in cui vi si possa inciampare, come ad esempio luoghi di passaggio. L'inciampo potrebbe causare la caduta della persona o del prodotto con conseguenti lesioni personali o danni al prodotto.
- Prima di spostare il prodotto, scollegare il cavo LAN.

Precauzioni di utilizzo

- Non appoggiare il proprio peso sul prodotto o poggiarvi sopra oggetti pesanti.

AVVISO

Osservare i seguenti avvisi per evitare la possibilità di malfunzionamenti/danni al prodotto, ai dati o ad altri oggetti.

Manipolazione e manutenzione

- Utilizzare il prodotto a una distanza di almeno 20 cm dal corpo. Il prodotto è conforme ai limiti internazionali di esposizione alle onde elettromagnetiche imposti per un normale ambiente.
- Non utilizzare il prodotto in prossimità di TV, radio o altri prodotti elettrici per evitare che questi possano produrre rumore.
- Non installare il prodotto in prossimità di forni a micro-onde poiché sussiste il rischio di interferenze elettromagnetiche con la comunicazione wireless.
- Installare il prodotto in luoghi lontani da dispositivi elettronici. In caso contrario, la qualità delle onde radio ricevute potrebbe soffrirne e la comunicazione potrebbe divenire instabile.
- Non installare il prodotto in luoghi soggetti a forti campi magnetici, per evitare malfunzionamenti del prodotto.
- Non esporre il prodotto a livelli eccessivi di polvere o vibrazioni, o a caldo o freddo eccessivi, onde prevenire la possibilità di danni estetici, rendere instabile il funzionamento o danneggiare i componenti interni.
- Non installare in luoghi soggetti a notevoli sbalzi di temperatura per evitare che si formi condensa all'interno della superficie del prodotto danneggiandolo.
- Se si ritiene vi sia condensa, lasciare il prodotto spento per diverse ore fino a che la condensa non si sia completamente asciugata, in modo da prevenire possibili danni.
- Non utilizzare cavi LAN che entrino in contatto con l'involucro del prodotto o che applichino forza eccessiva al connettore.
- Non toccare l'interno di una porta con le dita od oggetti metallici.
- Non collocare sul prodotto oggetti in vinile, plastica o gomma per evitare alterazioni o scolorimenti.
- Pulire il prodotto con un panno morbido e asciutto. Non utilizzare diluenti, solventi, detergenti liquidi o panni impregnati di sostanze chimiche poiché potrebbero causare alterazioni o scolorimenti.
- Poiché i dissipatori (pannello inferiore) accumulano calore, non toccarli direttamente con le mani. Non consentire inoltre, che oggetti altamente sensibili al calore entrino in contatto con i dissipatori.



INFORMAZIONI

Funzioni e dati inclusi nel prodotto

- Avvertenza: Questo è un prodotto di Classe A. L'utilizzo del prodotto in ambienti domestici potrebbe causare interferenze radio.
- Il prodotto è compatibile con lo standard DECT 1,9 GHz. Se si usa il prodotto in ambienti di ricezione di segnali digitali satellitari o telefonia cellulare, le onde radio potrebbero interferire a vicenda con conseguenze sulla trasmissione e la comunicazione.
- Questo prodotto usa Dante Broadway. Per dettagli sulle licenze open source per i vari software, consultare il sito web Audinate (in inglese).
<https://www.audinate.com/software-licensing>
- Consultare il seguente sito web per i termini di licenza del software open source utilizzato nel prodotto.
U.S.A e Canada
<https://uc.yamaha.com/support/>
Altri Paesi
<https://download.yamaha.com/>

Informazioni sul manuale

- Il presente manuale utilizza i seguenti termini per le informazioni importanti:

 AVVERTENZA	Questo contenuto indica “rischio di lesioni gravi o di morte.”
 ATTENZIONE	Questo contenuto indica “rischio di lesioni”.
AVVISO	Indica contenuto da osservare per evitare il guasto del prodotto, danni o malfunzionamento e perdita di dati.
IMPORTANTE	Indica contenuto da conoscere per poter utilizzare il prodotto correttamente.
NOTA	Indica informazioni relative al funzionamento e all'uso. Leggere per consultazione.

- Le illustrazioni in questo manuale vengono fornite esclusivamente a scopo descrittivo.
- Le denominazioni sociali e i nomi dei prodotti riportati nel manuale sono marchi o marchi registrati delle rispettive società.
- Yamaha apporta continui miglioramenti e aggiornamenti al software incluso con il prodotto. È possibile scaricare la versione più recente del software dal sito web Yamaha.
- Avvertenza: è vietata la copia non autorizzata anche parziale del presente documento.

Trasferimento/smaltimento

- In caso di trasferimento del prodotto a terzi, trasferire anche il presente manuale e gli accessori.
- Prima di trasferire la proprietà o smaltire il prodotto, riportare le impostazioni ai valori predefiniti di fabbrica. In caso di trasferimento della proprietà o di smaltimento del prodotto senza reinizializzare le impostazioni, i dati personali potrebbero essere trafugati da terzi.
- Questo prodotto contiene componenti riciclabili. Per lo smaltimento del prodotto, rivolgersi alle autorità locali competenti.

INTRODUZIONE

Grazie per aver acquistato il punto d'accesso per microfoni Yamaha RM-WAP-8. L'unità è un punto d'accesso alimentato PoE compatibile con gli standard DECT 1,9 GHz e Dante e può essere usato in combinazione con un microfono wireless dedicato. Assicurarsi di leggere il manuale prima di utilizzare l'unità.

Elementi inclusi

- Staffa di montaggio : 1
- Manuale di istruzioni (questo documento): 1

Manuali di riferimento

Per utilizzare l'unità, è necessario regolare le impostazioni iniziali, come per esempio l'accoppiamento con un microfono wireless. Per dettagli sulla procedura di impostazione iniziale, le funzioni e le specifiche, leggere il manuale di riferimento per il sistema di microfoni wireless della serie SM. Questa pubblicazione è disponibile sul sito web Yamaha.

U.S.A e Canada

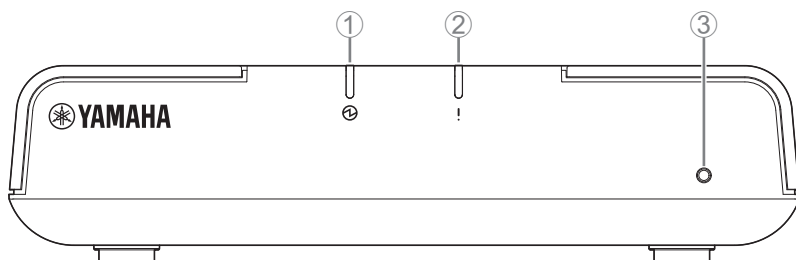
<https://uc.yamaha.com/support/>

Altri Paesi

<https://download.yamaha.com/>

CONTROLLI E FUNZIONI

Pannello anteriore



① **Indicatore di alimentazione**

② **Indicatore di stato**

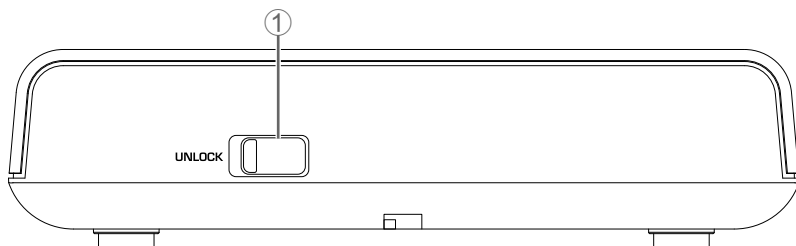
indica lo stato dell'unità tramite un sistema di colori e lampeggiamenti. Per dettagli, consultare il Manuale di riferimento.

③ **Pulsante di reset**

Usare per ripristinare le impostazioni tenendo premuto con un oggetto a punta sottile e quindi rilasciando.

Pressione lunga	Indicatore di stato	Oggetto del ripristino
Da 4 secondi a meno di 8 secondi	Lampeggia in blu due volte al secondo (durante la pressione lunga/il ripristino)	Impostazioni di rete (riavvio automatico dopo il ripristino)
Da 8 secondi a meno di 12 secondi	Lampeggia in blu tre volte al secondo (durante la pressione lunga/il ripristino)	Tutte le impostazioni (riavvio automatico dopo il ripristino)

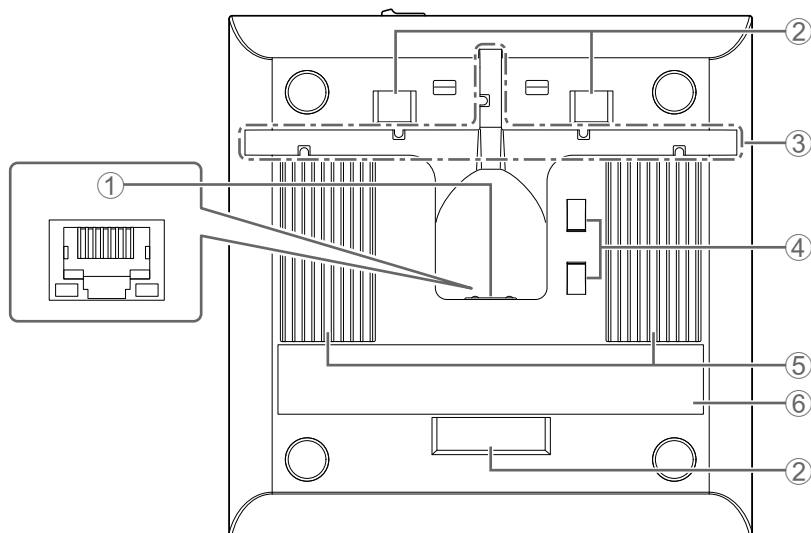
Pannello posteriore



① **Interruttore UNLOCK**

Serve a rimuovere l'unità dalla staffa di montaggio. Per dettagli, consultare pagina 103.

Pannello inferiore



① Porta Dante/PoE

Si tratta di una porta RJ-45 a cui connettere un cavo LAN (CAT5e o superiore) tramite un iniettore PoE conforme IEEE802.3af o uno switch di rete PoE a un'unità Dante. Per dettagli sugli iniettori, consultare il Manuale di riferimento.

AVVISO : Non collegare il prodotto a una rete Wi-Fi pubblica e/o direttamente a Internet. Collegare il prodotto a Internet solamente tramite un router protetto da robusta password. Per informazioni sulle migliori prassi di sicurezza, rivolgersi al produttore del router.

: Non connettere qui dispositivi non compatibili Dante o un dispositivo che non supporti gigabit Ethernet (incluso un computer).

② Fori per il montaggio

Usare per agganciare alla staffa di montaggio

③ Fessure per i cavi

Per eventualmente far passare il cavo LAN.

④ Fori di montaggio per il cavo di sicurezza

Usare per fissa un cavo di sicurezza disponibile in commercio.

⑤ Dissipatori del calore

Consentono la dissipazione del calore interno.

AVVISO : Poiché i dissipatori accumulano calore, non toccarli direttamente con le mani. Evitare inoltre il contatto diretto con oggetti sensibili al calore.

⑥ Etichetta prodotto

Fornisce informazioni sull'unità e i marchi di conformità ai vari standard.

INSTALLAZIONE SU PARETE O SOFFITTO

L'unità può essere montata su parete o soffitto tramite la staffa di montaggio.

Preparare i seguenti elementi.

- L'unità
- Staffa di montaggio (inclusa)
- Viti disponibili in commercio × 4
- Cavo di sicurezza disponibile in commercio



ATTENZIONE : Assicurarsi di usare viti e cavi di sicurezza adatti al materiale della parete o del soffitto.

In caso contrario, l'unità o la staffa di montaggio potrebbero cadere con conseguenti lesioni o malfunzionamenti.

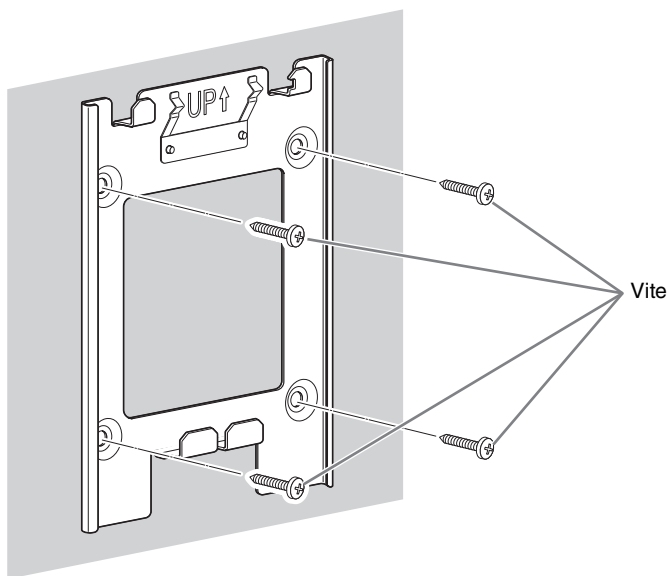
1. Fissare la staffa di montaggio alla parete o al soffitto tramite quattro viti disponibili in commercio.

Il diametro dei fori per le viti è di cinque mm.



ATTENZIONE : In caso di montaggio a parete, assicurarsi che il lato contrassegnato come "UP" sia in alto.

In caso contrario, l'unità potrebbe cadere e causare lesioni o malfunzionamenti.



2. Inserire il cavo LAN nella porta Dante/PoE.

AVVISO : Usare un cavo STP (Shielded Twisted Pair, doppino ritorto schermato) per prevenire interferenze elettromagnetiche.

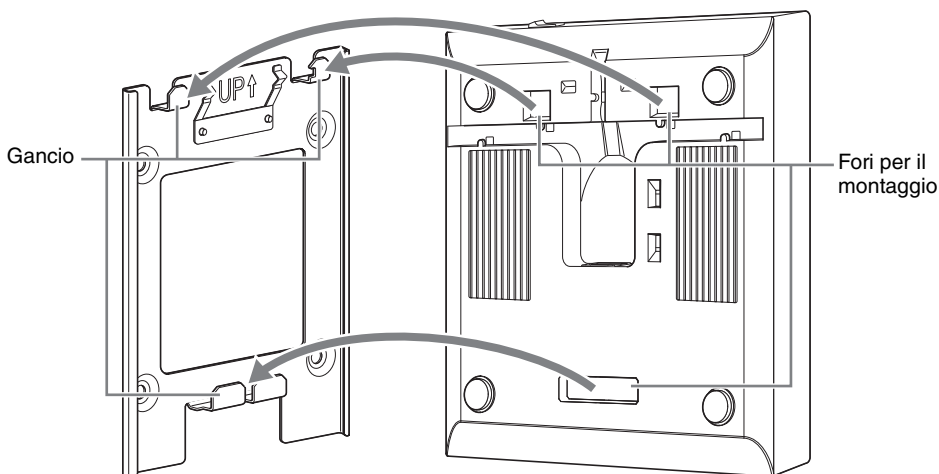
: Nel scollegare il cavo LAN dalla porta Dante/PoE, attendere almeno cinque secondi prima di ricollegare il cavo. Altrimenti, si potrebbero verificare danni o malfunzionamenti.

NOTA : Consigliamo di utilizzare cavi Ethernet a doppino singolo per stabilizzare l'alimentazione via PoE.

: Se necessario, far passare il cavo LAN attraverso le apposite fessure.

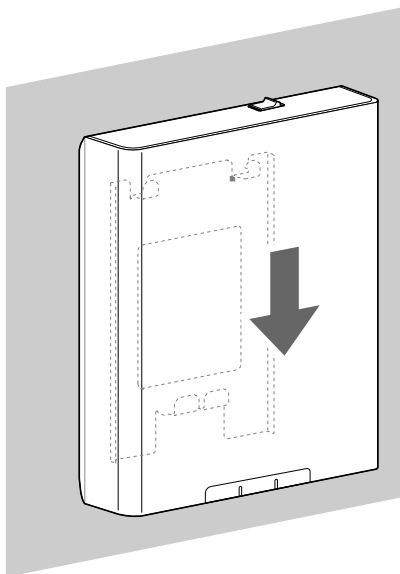
3. Fissare un cavo di sicurezza disponibile in commercio.

4. Allineare i ganci sulla staffa di montaggio con i fori di montaggio sull'unità.

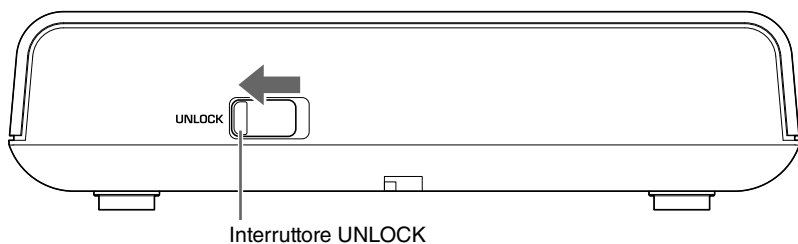


5. Far scorrere l'unità fino a fissare i ganci.

L'installazione è completata. Per sicurezza, accertarsi che l'unità non scivoli dalla staffa di montaggio nemmeno quando vi si applica forza.



NOTA : Per rimuovere l'unità dalla staffa di montaggio, farla scorrere in senso opposto alla direzione di installazione spostando contemporaneamente l'interruttore UNLOCK sul pannello posteriore (sul lato superiore della figura sopra) nella direzione indicata sotto.



NOTA : È possibile posizionare l'unità anche su una superficie piana. Installarla su uno spazio aperto come una scrivania o uno scaffale. Non installare in uno scaffale chiuso o laddove il flusso dell'aria sia ostruito né su oggetti sensibili al calore.

SPECIFICHE PRINCIPALI

Specifiche generali

Dimensioni	L 171,2 mm × P 172,5 mm × A 42,8 mm	
Peso	650 g (incluse le staffe di montaggio)	
Requisiti energetici	PoE (IEEE802.3af), 48 V CC	
Consumo massimo	48 V, 0,2 A	
In uso	Temperatura	0 °C – 40 °C
	Umidità	20% – 85% (senza condensa)
Conservazione	Temperatura	-20 °C – 60 °C
	Umidità	10% – 90% (senza condensa)
Indicatori	<ul style="list-style-type: none">• Alimentazione• Stato• Porta di rete	
Accessori	<ul style="list-style-type: none">• Staffa di montaggio : 1• Manuale di istruzioni (questo documento) : 1	

Specifiche di rete

Porta Dante/PoE	<ul style="list-style-type: none">• Audio Dante/Controllo Dante• Controllo esterno• PoE• Requisiti per i cavi: CAT5e o categoria superiore, STP
-----------------	--

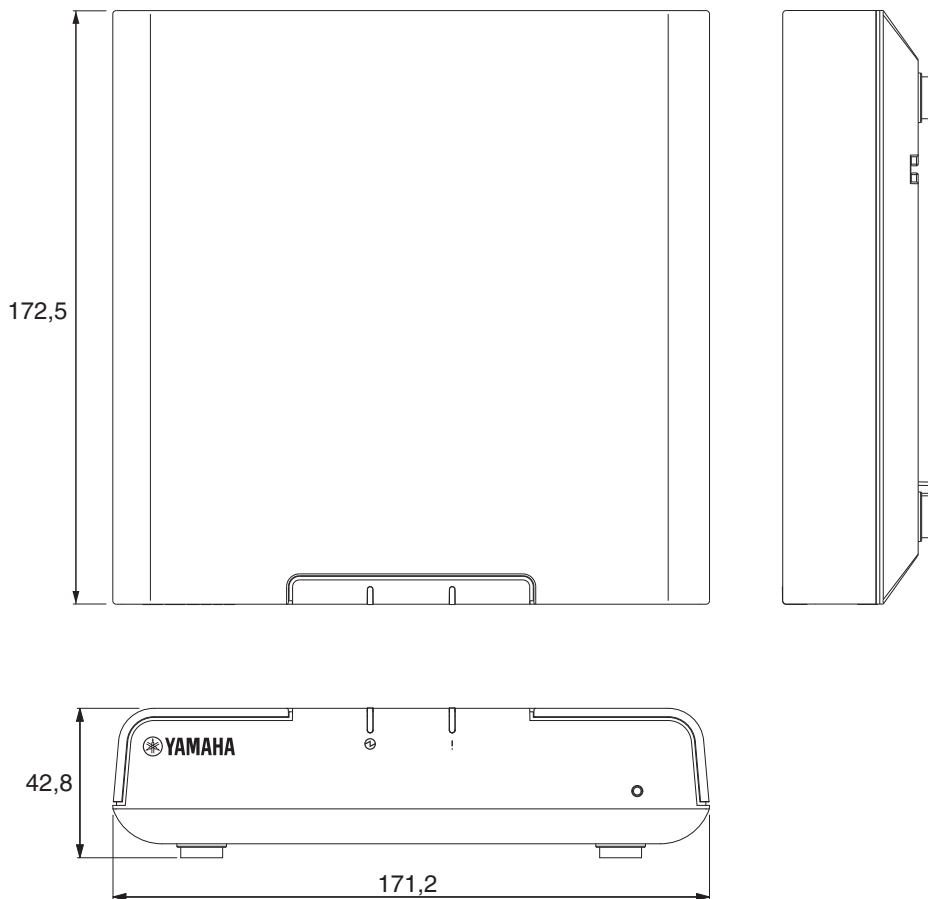
Specifiche wireless

Standard supportato	DECT 1,9 GHz
Frequenza radio	<ul style="list-style-type: none">• USA/Canada: 1920,0 MHz – 1930,0 MHz• Europa/Europa settentrionale/Regno Unito/Australia/Nuova Zelanda: 1880,0 MHz – 1900,0 MHz• Giappone: 1893,5 MHz – 1906,1 MHz
Potenza di uscita massima (EIRP)	<ul style="list-style-type: none">• USA/Canada: 23,5 dBm• Europa/Europa settentrionale/Regno Unito/Australia/Nuova Zelanda/Giappone: 26,5 dBm
Antenna (incorporata)	Supporta la diversità spaziale
Uso	<ul style="list-style-type: none">• Comunicazione audio e controllo tra il punto di accesso e il microfono• Controllo tra il punto di accesso e il caricabatteria
Massima distanza di copertura	50 m (a seconda dell'ambiente d'uso)
Metodo di cifratura	AES (256 bit)

Il contenuto del presente manuale si applica alle ultime specifiche tecniche a partire dalla data di pubblicazione. Per ottenere la versione più recente del manuale, accedere al sito Web Yamaha e scaricare il file corrispondente.

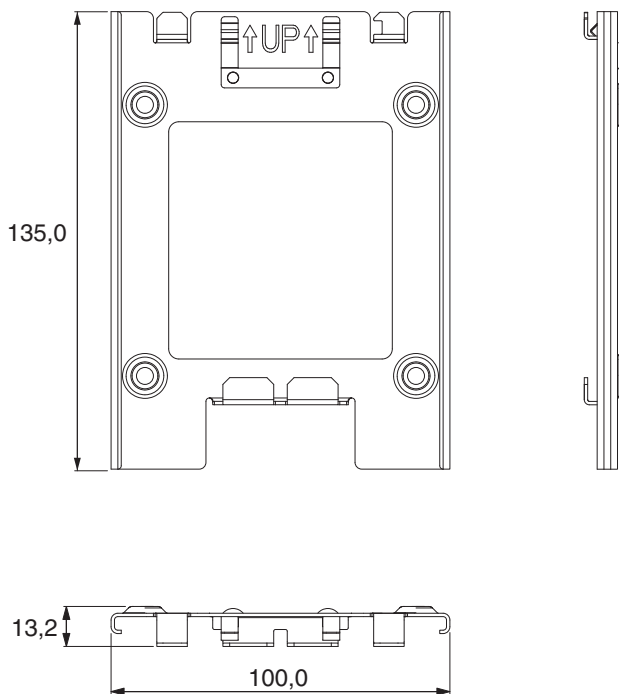
Diagramma dimensioni

L'unità



Unità: mm

Staffa di montaggio



Unità: mm

Italiano

Informazioni per gli utenti sulla raccolta e lo smaltimento di vecchia attrezzatura



Questi simboli sui prodotti, sull'imballaggio e/o sui documenti che li accompagnano, indicano che i prodotti elettrici ed elettronici non devono essere mischiati con i rifiuti generici.

Per il trattamento, il recupero e il riciclaggio appropriato di vecchi prodotti, si prega di portarli ai punti di raccolta designati, in accordo con la legislazione locale.

Smaltendo correttamente questi prodotti si potranno recuperare risorse preziose, oltre a prevenire potenziali effetti negativi sulla salute e l'ambiente che potrebbero sorgere a causa del trattamento improprio dei rifiuti.

Per ulteriori informazioni sulla raccolta e il riciclaggio di vecchi prodotti, si prega di contattare l'amministrazione comunale locale, il servizio di smaltimento dei rifiuti o il punto vendita dove sono stati acquistati gli articoli.

Per utenti imprenditori dell'Unione europea:

Se si desidera scartare attrezzatura elettrica ed elettronica, si prega di contattare il proprio rivenditore o il proprio fornitore per ulteriori informazioni.

Informazioni sullo smaltimento negli altri Paesi al di fuori dell'Unione europea:

Questi simboli sono validi solamente nell'Unione Europea; se si desidera scartare questi articoli, si prega di contattare le autorità locali o il rivenditore e richiedere informazioni sulla corretta modalità di smaltimento.

目次

安全上のご注意.....	111
使用上のご注意.....	115
お知らせ.....	116
はじめに.....	118
付属品.....	118
リファレンスマニュアルのご案内.....	118
各部の名称と機能.....	119
前面.....	119
背面.....	119
底面.....	120
壁や天井への取り付け.....	121
主な仕様.....	124
寸法図.....	126
アフターサービス.....	128
保証書.....	131

機種名（品番）、製造番号（シリアルナンバー）、電源条件などの情報は、製品の底面にある銘板または銘板付近に表示されています。製品を紛失した場合などでもご自身のものを特定していただけるよう、機種名と製造番号については以下の欄にご記入の上、大切に保管していただくことをおすすめします。

機種名

製造番号

安全上のご注意

ご使用前に、必ずよくお読みください。

必ずお守りください


ここに示した注意事項は、製品を安全に正しくご使用いただき、お客様や他の方々への危害や財産への損害を未然に防止するためのものです。

お読みになったあとは、本製品を使用される方がいつでも見られるところに必ず保管してください。

データが破損したり失われた場合の補償や、不適切な使用や改造により故障した場合の補償はいたしかねますので、ご了承ください。

記号表示について

本製品や取扱説明書に表示されている記号には、次のような意味があります。

注意喚起を示す記号	禁止を示す記号	行為を指示する記号
		



警告

「死亡する可能性または重傷を負う可能性が想定される」内容です。

火に注意



禁止

本製品の近くで、火気を使用しない。

火災の原因になります。

ワイヤレス機器



禁止

・医療機器の近くなど、電波の使用が制限された区域で使用しない。

・心臓ペースメーカーや除細動器の装着部分から15 cm以内で使用しない。

本製品が発生する電波が動作に影響を与えるおそれがあります。

設置



必ず実行

本製品を壁や天井に取り付ける場合は、必ず本書記載の方法で設置する。

落下によるけがや故障の原因になります。



必ず実行

設置後は必ず安全性を確認する。定期的に安全点検を実施する。

落下して、けがをする可能性があります。



注意 「傷害を負う可能性が想定される」内容です。

異常に気づいたら



必ず実行

下記のような異常が発生した場合、すぐにLANケーブルを本製品から抜く。

- LANケーブルが破損した場合
- 製品から異常なおいや煙が出た場合
- 製品の内部に水や異物が入った場合
- 製品に亀裂、破損がある場合

そのまま使用を続けると、感電や火災、または故障のおそれがあります。至急、お買い上げの販売店またはヤマハ修理ご相談センターに点検や修理をご依頼ください。

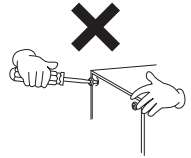
分解禁止



禁止

本製品を分解したり改造したりしない。

感電や火災、けが、または、故障の原因になります。本製品の内部には、お客様が修理／交換できる部品はありません。



水に注意



禁止

- 本製品の上に花瓶や薬品など液体の入ったものを置かない。
- 浴室や雨天時の屋外など湿気の多いところで使用しない。

内部に水などの液体が入ると、感電や火災、または故障の原因になります。

設置と接続



必ず実行

本製品とPoEインジェクターまたはPoEネットワークスイッチとの接続には、PoE対応のLANケーブルを使用する。

規格に適合していないケーブルやフラットタイプやスリムタイプのケーブルを接続すると、火災や故障の原因になります。



禁止

LANケーブルが破損するようなことをしない。

- ストープなどの熱器具に近づけない
- 無理に曲げない
- ステープルで止めない
- 傷つけない
- LANケーブルに重いものをのせない

感電や火災の原因になります。



不安定な場所や振動の多い場所に置かない。

本製品が落下して故障したり、けがをしたりする原因になります。

禁止



本製品を子供の手の届くところに置かない。

本製品は子供がいる可能性のある場所での使用には適していません。

禁止



塩害や腐食性ガスが発生する場所に設置しない。

故障の原因になります。

禁止



LANケーブルは人が通るところなど引っかかりやすい場所に這わせない。

つまづいて転倒したり、本製品が落下して破損したり、けがをしたりする原因になります。

禁止



本製品を移動するときは、必ずLANケーブルを外した上で行う。

LANケーブルをいためたり、お客様や他の方々が転倒したりするおそれがあります。

必ず実行

取り扱い



本製品の上にとったり重いものをのせたりしない。

本製品が破損したり、けがをしたりする原因になります。

禁止

使用上のご注意

製品の故障、損傷や誤動作、データの損失を防ぐため、以下の内容をお守りください。

製品の取り扱い／お手入れに関するご注意

- 本製品は人体から 20 cm 以上離して使用する。
本製品は通常的环境に対して規定される国際的な電磁波曝露限度に準拠しています。
- テレビやラジオなど、他の電気製品の近くで使用しない。
本製品、または他の電子機器に雑音が生じる原因になります。
- 電子レンジの近くで本製品を使用しない。
無線通信への電磁妨害が発生するおそれがあります。
- 本製品は、他の電子機器などから離れた場所に設置する。
他の電子機器の近くに設置した場合、受信電波品質が低下し、通信が不安定になる可能性があります。
- 本製品を磁力の強い場所に設置しない。
動作不良の原因になります。
- 極端に温度の高いところや低いところ、ほこりや振動の多いところで使用しない。
本製品が変形したり、内部の部品が故障したり、動作が不安定になったりする原因になります。
- 温度変化が激しい場所に設置しない。
製品内部や表面に結露が発生し、故障したりする原因になります。
- 結露が発生しているおそれがあるときは、しばらく放置してから電源を入れる。
結露した状態で電源が入ると、故障の原因になります。
- 本体ケースと接触して、コネクタ部分に無理な力が加わる形状の LAN ケーブルは使用しない。
- 端子内部を指や金属などで触れない。
- 本製品上にビニール製品やプラスチック製品、ゴム製品などを置かない。
変色／変質の原因になります。
- お手入れのときは、乾いた柔らかい布を使用する。ベンジン、シンナー、洗剤、化学ぞうきんなどで製品の表面を拭かない。
変色／変質の原因になります。
- ヒートシンク（底面）は熱を持つため、手で直接触らない。また、熱に弱いものが直接触れないようにする。



お知らせ

製品の機能／データに関するお知らせ

- ・ 本製品は、クラス A 機器です。本製品を住宅環境で使用すると電波妨害を引き起こすことがあります。この場合には、使用者が適切な対策を講ずるよう要求されることがあります。(VCCI-A)
- ・ 本製品は、1.9GHz 帯 DECT 準拠方式に対応しています。CS デジタル放送を受信している環境や PHS を使用している環境で使用すると、互いに電波が干渉し、放送や通信に影響が出るおそれがあります。
- ・ 本製品は Dante Broadway を使用しています。使用しているオープンソースソフトライセンスについては、Audinate 社のウェブサイト（英語）をご覧ください。
<https://www.audinate.com/software-licensing>
- ・ 本製品で使用しているオープンソースソフトウェアのライセンス条文は下記のウェブサイトにて公開されています。
<https://download.yamaha.com/>

取扱説明書の記載内容に関するお知らせ

- ・ 本書に表示されている記号とその内容は以下のとおりです。

 警告	「死亡する可能性または重傷を負う可能性が想定される」内容です。
 注意	「傷害を負う可能性が想定される」内容です。
ご注意	製品の故障、損傷や誤動作、データの損失を防ぐため、お守りいただく内容です。
重要	製品を正しく操作、運用するために、必ず知っておいていただきたい内容です。
メモ	操作や運用に関連した情報です。参考にお読みください。

- ・ この取扱説明書に掲載されているイラストは、すべて説明のためのものです。
- ・ 本書に記載されている会社名および商品名などは各社の登録商標または商標です。
- ・ 弊社では製品のソフトウェアを継続的に改善しています。最新版はヤマハウェブサイトからダウンロードできます。
- ・ 本書の記載内容の一部または全部を無断で転載することを禁じます。

製品の譲渡／廃棄に関するお知らせ

- 本製品を譲渡する際は、本書と付属品もあわせて譲渡してください。
- 本製品を譲渡／廃棄する際は、本製品の設定内容を初期化してください。設定内容を初期化せずに譲渡／廃棄すると、第三者に個人情報が漏洩する原因になります。
- 本製品は、リサイクル可能な部品を含んでいます。廃棄される際には、廃棄する地方自治体にお問い合わせください。

はじめに

このたびはヤマハ マイクロフォンアクセスポイント RM-WAP-8 をお買い求めいただき、まことにありがとうございます。本製品は PoE 受電駆動のアクセスポイントです。1.9 GHz 帯 DECT 準拠方式および Dante に対応しており、専用のワイヤレスマイクロフォンと組み合わせてご使用いただけます。ご使用前に本書を必ずお読みください。

付属品

- 取り付け金具 : 1 個
- 取扱説明書（本書） : 1 冊

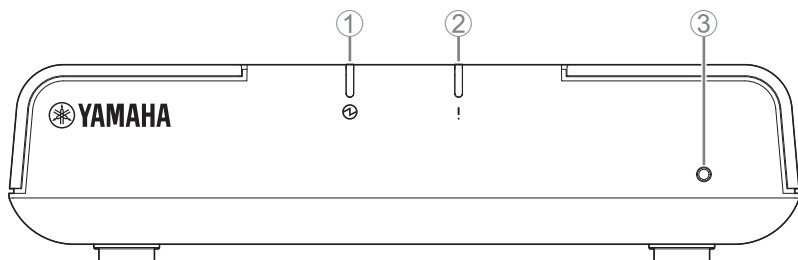
リファレンスマニュアルのご案内

本製品を使用するにはワイヤレスマイクロフォンとのペアリングなど初期設定が必要です。初期設定の方法および機能や仕様の詳細は RM シリーズワイヤレスマイクロフォンシステム リファレンスマニュアルをお読みください。下記のウェブサイトにて公開されています。

<https://download.yamaha.com/>

各部の名称と機能

前面



① Power インジケーター

② Status インジケーター

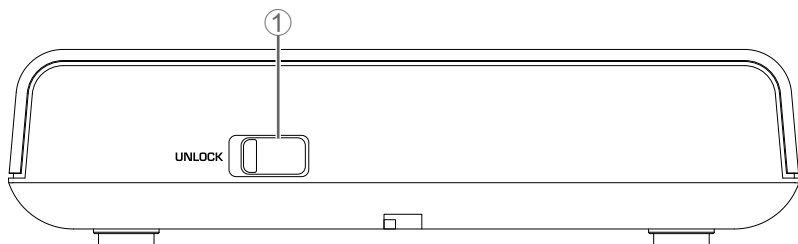
光の色や明滅のパターンから本製品の状態を確認できます。詳細はリファレンスマニュアルをお読みください。

③ Reset ボタン

先が細いもので長押ししてから離すと設定をリセットできます。

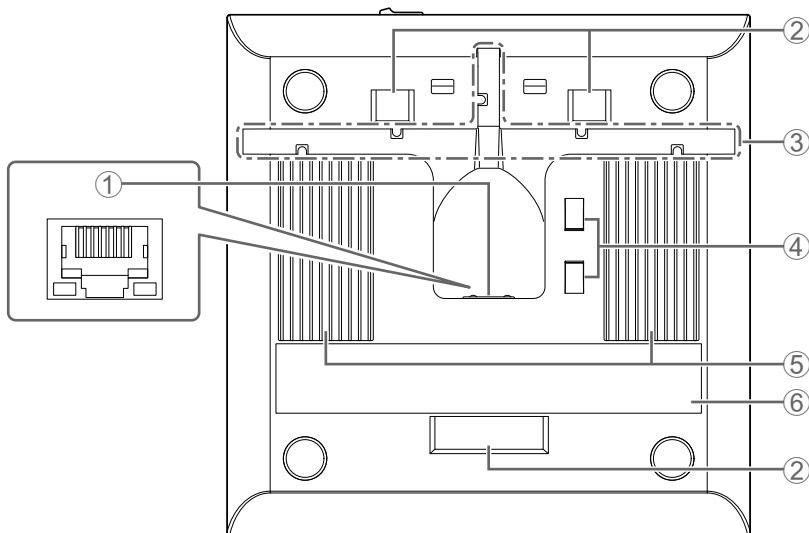
長押し	Status インジケーター	リセットの対象
4 秒以上～8 秒未満	(長押し中／リセット中に)青色で 1 秒間に 2 回点滅	ネットワーク関連の設定 (リセット後、自動的に再起動)
8 秒以上～12 秒未満	(長押し中／リセット中に)青色で 1 秒間に 3 回点滅	すべての設定 (リセット後、自動的に再起動)

背面



① UNLOCK ノブ

本製品を取り付け金具から取り外すために使用します。詳細は 123 ページをお読みください。



① Dante/PoE 端子

LAN ケーブル (CAT5e 以上) を使用して、IEEE802.3af 対応の PoE インジェクターまたは PoE ネットワークスイッチを介し、Dante 機器と接続する RJ-45 端子です。インジェクターの詳細はリファレンスマニュアルをお読みください。

ご注意：本製品をインターネットに接続する場合は、セキュリティを保つため必ずルーターなどを経由して接続してください。経由するルーターなどには適切なパスワードを設定してください。電気通信事業者（移动通信会社、固定通信会社、インターネットプロバイダーなど）の通信回線（公衆回線 LAN を含む）には直接接続しないでください。

：Dante 対応機器またはギガビットイーサネット対応機器（コンピューターを含む）以外は接続しないでください。

② フック受け

取り付け金具のフックを差し込むために使用します。

③ 配線用ピット

必要に応じて LAN ケーブルを通すことができます。

④ 安全ワイヤー取り付け穴

市販の安全ワイヤーを取り付けるために使用します。

⑤ ヒートシンク

内部の熱を逃がします。

ご注意：ヒートシンクは熱を持つため、手で直接触らないでください。また、熱に弱いものが直接触れないようにしてください。

⑥ 製品ラベル

本製品の情報や各種基準への適合マークなどを記載しています。

壁や天井への取り付け

取り付け金具を使用して本製品を壁や天井に取り付けることができます。

次のものを用意してください。

- 本製品
- 取り付け金具（付属品）
- 市販のネジ × 4本
- 市販の安全ワイヤー



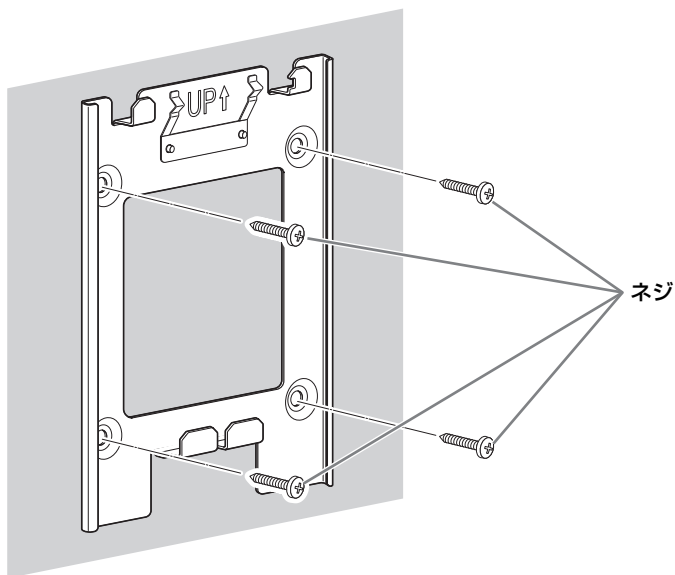
注意：ネジと安全ワイヤーは必ず壁や天井の材質に適合したものを使用してください。
不適合のものを使用すると本製品や取り付け金具が落下し、けがや故障の原因になります。

1. 市販のネジ 4本で取り付け金具を壁や天井に固定する

ネジを通す穴の直径は 5 mm です。



注意：壁に固定するときは必ず「UP↑」と書いてある方を上にしてください。
下にすると本製品が落下し、けがや故障の原因になります。



2. Dante/PoE 端子に LAN ケーブルを差し込む

ご注意 : 電磁干渉防止のためには、STP (Shielded Twisted Pair) ケーブル (シールド付きツイストペアケーブル) をご使用ください。

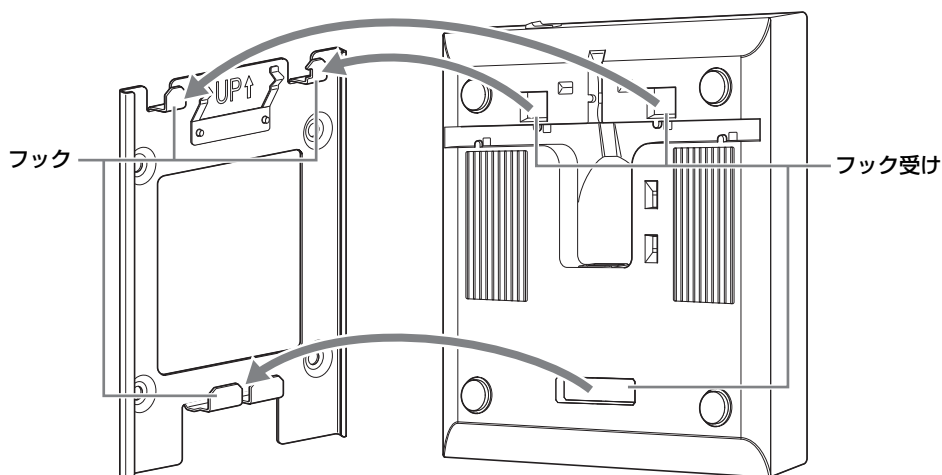
: Dante/PoE 端子から LAN ケーブルを抜いて再度 LAN ケーブルを差す場合は、5 秒以上間隔をあけて実施してください。故障や誤動作の原因になります。

メモ : PoE による電力供給を安定させるため、単線の LAN ケーブルの使用をおすすめします。

: 必要に応じて配線用ピットに LAN ケーブルを通すことができます。

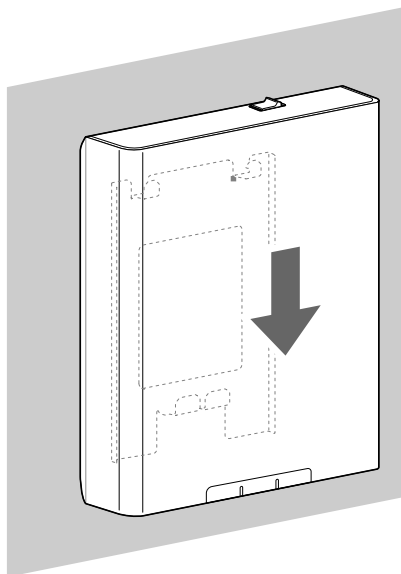
3. 市販の安全ワイヤーを取り付ける

4. 取り付け金具のフックと本製品のフック受け (のくぼみ) をあわせる

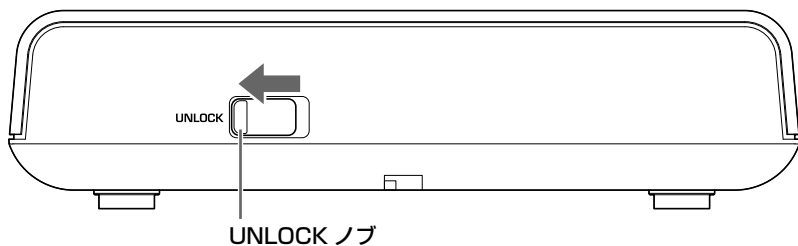


5. 本製品をスライドさせてフックを差し込む

以上で取り付けは完了です。念のため、本製品に力をかけても取り付け金具から外れないことを確認してください。



メモ：本製品を取り付け金具から取り外すには、背面（上図では天井側）の UNLOCK ノブを下図の方向に動かしたまま、本製品を取り付け時と逆方向にスライドさせてください。



メモ：本製品は平置きして使用することもできます。机や棚の上など、開けたところに設置してください。周りに障害物があるところや棚の中などに設置すること、および熱に弱いものの上にのせることは避けてください。

主な仕様

一般仕様

寸法	W 171.2 mm × D 172.5 mm × H 42.8 mm	
質量	650 g (取り付け金具を含む)	
電源	PoE (IEEE802.3af)、DC48 V	
最大消費電力	48 V、0.2 A	
動作環境	温度	0 °C ~ 40 °C
	湿度	20% ~ 85% (結露がないこと)
保管環境	温度	-20 °C ~ 60 °C
	湿度	10% ~ 90% (結露がないこと)
インジケータ	<ul style="list-style-type: none">• Power• Status• Network port	
付属品	<ul style="list-style-type: none">• 取り付け金具 : 1 個• 取扱説明書 (本書) : 1 冊	

ネットワーク仕様

Dante/PoE 端子	<ul style="list-style-type: none">• Dante オーディオ / Dante コントロール• リモートコントロール• PoE• CAT5e 以上の STP ケーブルを使用すること
--------------	---

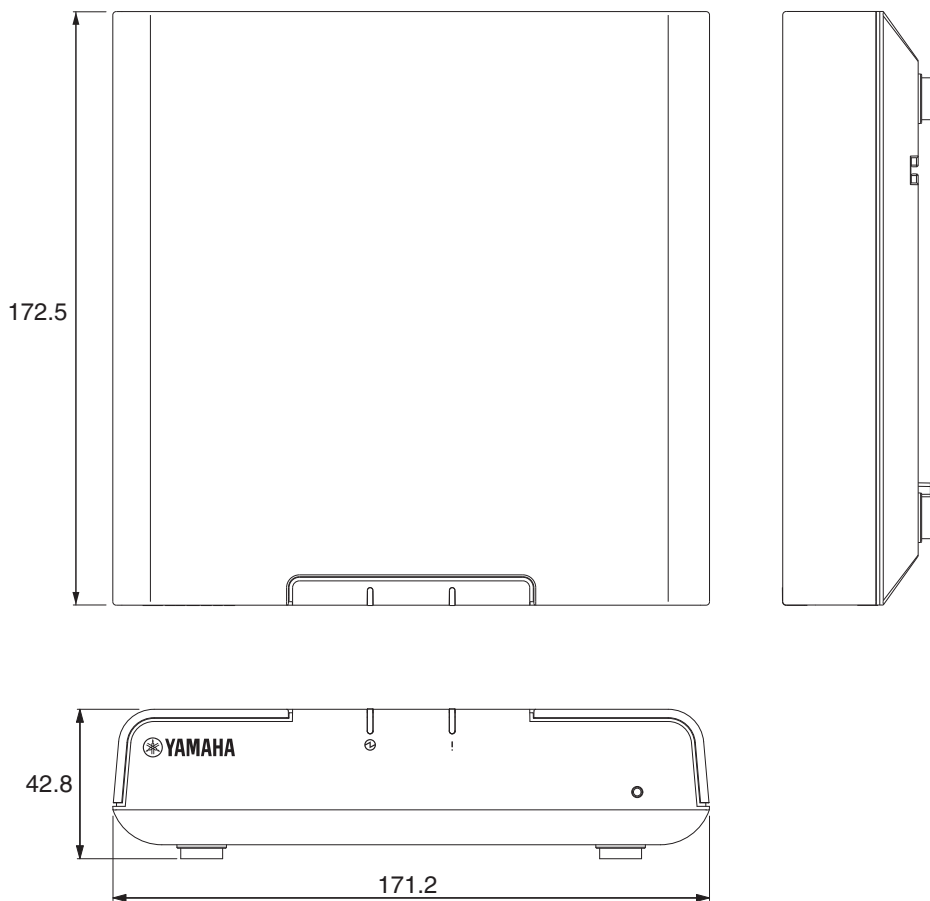
ワイヤレス仕様

対応方式	1.9 GHz 帯 DECT 準拠方式
無線周波数	<ul style="list-style-type: none">• アメリカ、カナダ：1920.0 MHz ~ 1930.0 MHz• 欧州、北欧、イギリス、オーストラリア、ニュージーランド：1880.0 MHz ~ 1900.0 MHz• 日本：1893.5 MHz ~ 1906.1 MHz
最大出力電力 (EIRP)	<ul style="list-style-type: none">• アメリカ、カナダ：23.5 dBm• 欧州、北欧、イギリス、オーストラリア、ニュージーランド、日本：26.5 dBm
内蔵アンテナ	空間ダイバーシティに対応
用途	<ul style="list-style-type: none">• アクセスポイントとマイク間のオーディオ通信および制御• アクセスポイントとチャージャー間の制御
最大到達距離	50 m (使用環境による)
暗号化方式	AES (256-bit)

本書は発行時点での最新仕様で説明しています。最新版はヤマハウェブサイトからダウンロードできます。

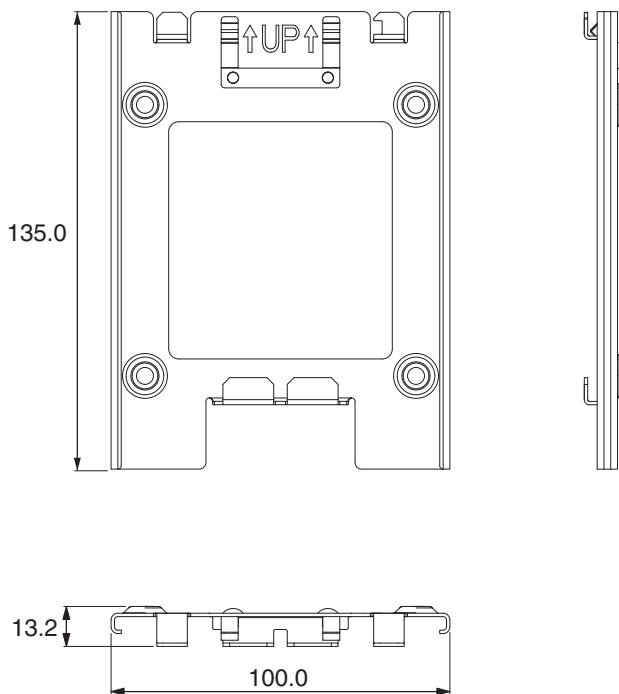
寸法図

本製品



単位：mm

取り付け金具



単位：mm

アフターサービス

お問い合わせ窓口

お問い合わせや修理のご依頼は、お買い上げ店、または次のお問い合わせ窓口までご連絡ください。

●機能や取り扱いに関するお問い合わせ

ヤマハ・プロオーディオ・インフォメーションセンター



0570-050-808

※固定電話は全国市内通話料金でご利用いただけます。通話料金は音声案内で確認できます。

上記番号でつながらない場合は **03-5488-5447**

受付時間 月曜日～金曜日 11:00～17:00 (土曜、日曜、祝日およびセンター指定休日を除く)
オンラインサポート <https://jp.yamaha.com/support/>

●修理に関するお問い合わせ

ヤマハ修理ご相談センター



0570-012-808

※固定電話は全国市内通話料金でご利用いただけます。通話料金は音声案内で確認できます。

上記番号でつながらない場合は **053-460-4830**

FAX 03-5762-2125 東日本 (北海道 / 東北 / 関東 / 甲信越 / 東海)
06-6649-9340 西日本 (北陸 / 近畿 / 四国 / 中国 / 九州 / 沖縄)

修理品お持込み窓口

東日本サービスセンター

〒143-0006 東京都大田区平和島 2丁目 1-1 JMT 京浜 E棟 A-5F

FAX 03-5762-2125

西日本サービスセンター

〒556-0011 大阪府大阪市浪速区難波中 1丁目 13-17 ナンバ辻本ビル 7F

FAX 06-6649-9340

受付時間

月曜日～金曜日 10:00～17:00 (土曜、日曜、祝日およびセンター指定休日を除く)

●販売元

(株)ヤマハミュージックジャパン PA 営業部

〒103-0015 東京都中央区日本橋箱崎町 41-12 KDX 箱崎ビル

* 名称、住所、電話番号、営業時間、URL などに変更になる場合があります。

保証と修理について

保証と修理についての詳細は下記のとおりです。

●保証書

本書に保証書が掲載されています。購入を証明する書類(レシート、売買契約書、納品書など)とあわせて、大切に保管してください。

●保証期間と期間中の修理

保証書をご覧ください。保証書記載内容に基づいて修理させていただきます。お客様に製品を持ち込んでいただくか、サービスマンが出張修理にお伺いするのかは、製品ごとに定められています。

●保証期間経過後の修理

ご希望により有料にて修理させていただきます。

●補修用性能部品の最低保有期間

製品の機能を維持するために必要な部品の最低保有期間は、製造終了後 5 年です。

●修理のご依頼

本書をもう一度お読みいただき、接続や設定などをご確認のうえ、お買い上げの販売店またはヤマハ修理ご相談センターまでご連絡ください。修理をご依頼いただくときは、製品名、モデル名などとあわせて、製品の状態をできるだけ詳しくお知らせください。

●損害に対する責任

本製品（搭載プログラムを含む）のご使用により、お客様に生じた損害（事業利益の損失、事業の中断、事業情報の損失、そのほかの特別損失や逸失利益）については、当社は一切その責任を負わないものとします。また、いかなる場合でも、当社が負担する損害賠償額は、お客様がお支払いになったこの商品の代価相当額をもって、その上限とします。

このページはメモとしてご使用ください。

保証書

持込修理

※品名		
※品番		
※シリアル番号		
保証期間	本体	お買上げの日から1ケ年間
※お買上げ日	年	月 日
お客様	<input type="checkbox"/> <input type="checkbox"/> <input type="checkbox"/> <input type="checkbox"/> - <input type="checkbox"/> <input type="checkbox"/> <input type="checkbox"/> <input type="checkbox"/>	
	ご住所	
	お名前	様
	電話	()

ご販売店様へ ※印欄は必ずご記入ください。

本書は、本書記載内容で無償修理を行う事をお約束するものです。
お買上げの日から左記期間中に故障が発生した場合は、本書をご提示の上お買上げの販売店に修理をご依頼ください。
ご依頼の際は、購入を証明する書類（レシート、売買契約書、納品書など）をあわせてご提示ください。

（詳細は下項をご覧ください）

※販売店	店名		印
	所在地		
	電話	()	

株式会社ヤマハミュージックジャパン PA営業部
〒103-0015
東京都中央区日本橋箱崎町41番12号 KDX箱崎ビル
TEL. 03-5652-3850

保証規定

1. 保証期間中、正常な使用状態（取扱説明書、本体貼付ラベルなどの注意書に従った使用状態）で故障した場合には、無償修理を致します。
 2. 保証期間内に故障して無償修理をお受けになる場合は、商品と本書をご持参ご提示のうえ、お買上げ販売店にご依頼ください。
 3. ご贈答品、ご購入後の修理についてお買上げの販売店にご依頼できない場合には、※ヤマハ修理ご相談センターにお問合わせください。
 4. 保証期間内でも次の場合は有料となります。
 - (1) 本書のご提示がない場合。
 - (2) 本書にお買上げの年月日、お客様、お買上げの販売店の記入がない場合、及び本書の字句を書き替えられた場合。
 - (3) 使用上の誤り、他の機器から受けた障害または不当な修理や改造による故障及び損傷。
 - (4) お買上げ後の移動、輸送、落下などによる故障及び損傷。
 - (5) 火災、地震、風水害、落雷、その他の天災地変、公害、塩害、異常電圧などによる故障及び損傷。
 - (6) お客様のご要望により出張修理を行なう場合の出張料金。
 5. この保証書は日本国内においてのみ有効です。
This warranty is valid only in Japan.
 6. この保証書は再発行致しかねますので大切に保管してください。
- * この保証書は本書に示した期間、条件のもとにおいて無償修理をお約束するものです。したがってこの保証書によってお客様の法律上の権利を制限するものではありませんので、保証期間経過後の修理などについてご不明の場合は、お買上げの販売店、※ヤマハ修理ご相談センターにお問合わせください。
- * ご記入いただきましたお客様のお名前、ご住所などの個人情報は、本保証規定に基づく無料修理に関する場合のみ使用致します。取得した個人情報は適切に管理し、法令に定める場合を除き、お客様の同意なく第三者に提供することはありません。
- ※ その他の連絡窓口につきましては、取扱説明書をご参照ください。

For details of products, please contact your nearest Yamaha representative or the authorized distributor listed below.

Pour plus de détails sur les produits, veuillez-vous adresser à Yamaha ou au distributeur le plus proche de vous figurant dans la liste suivante.

Die Einzelheiten zu Produkten sind bei Ihrer unten aufgeführten Niederlassung und bei Yamaha Vertragshändlern in den jeweiligen Bestimmungsländern erhältlich.

Para detalles sobre productos, contacte su tienda Yamaha más cercana o el distribuidor autorizado que se lista debajo.

NORTH AMERICA

Yamaha Unified Communications, Inc. (U.S.A)
144 North Rd, Suite 3250, Sudbury, MA 01776
United States of America
Tel: +1-800-326-1088

OTHER COUNTRIES

<https://www.yamaha.com/products/en/communication/>

EUROPE

Yamaha Music Europe GmbH
Siemensstrasse 22-34, 25462 Rellingen, Germany
Tel: +49-4101-303-0

RUSSIA

Yamaha Music (Russia) LLC.
Room 37, entrance 7, bld. 7, Kievskaya street,
Moscow, 121059, Russia
Tel: +7-495-626-5005

Head Office/Manufacturer: Yamaha Corporation
10-1, Nakazawa-cho, Naka-ku, Hamamatsu, 430-8650, Japan

Importer (European Union): Yamaha Music Europe GmbH
Siemensstrasse 22-34, 25462 Rellingen, Germany

Importer (United Kingdom): Yamaha Music Europe GmbH (UK)
Sherbourne Drive, Tilbrook, Milton Keynes, MK7 8BL, United Kingdom

EN	SIMPLIFIED EU DECLARATION OF CONFORMITY / SIMPLIFIED UK DECLARATION OF CONFORMITY
<p>Hereby, Yamaha Music Europe GmbH declares that the radio equipment type [RM-WAP-8] is in compliance with Directive 2014/53/EU and the radio equipment regulations of UK. The full texts of the EU declaration of conformity and the UK declaration of conformity are available at the following internet address: https://europe.yamaha.com/en/support/compliance/doc.html</p>	
FR	DECLARATION UE DE CONFORMITE SIMPLIFIEE
<p>Le soussigné, Yamaha Music Europe GmbH, déclare que l'équipement radioélectrique du type [RM-WAP-8] est conforme à la directive 2014/53/UE. Le texte complet de la déclaration UE de conformité est disponible à l'adresse internet suivante: https://europe.yamaha.com/en/support/compliance/doc.html</p>	
DE	VEREINFACHTE EU-KONFORMITÄTSERKLÄRUNG
<p>Hiermit erklärt Yamaha Music Europe GmbH, dass der Funkanlagentyp [RM-WAP-8] der Richtlinie 2014/53/EU entspricht. Der vollständige Text der EU-Konformitätserklärung ist unter der folgenden Internetadresse verfügbar: https://europe.yamaha.com/en/support/compliance/doc.html</p>	
SV	FÖRENKLAD EU-FÖRSÄKRAN OM ÖVERENSSTÄMMELSE
<p>Härmed försäkrar Yamaha Music Europe GmbH att denna typ av radioutrustning [RM-WAP-8] överensstämmer med direktiv 2014/53/EU. Den fullständiga texten till EU-försäkran om överensstämmelse finns på följande webbadress: https://europe.yamaha.com/en/support/compliance/doc.html</p>	
IT	DICHIARAZIONE DI CONFORMITÀ UE SEMPLIFICATA
<p>Il fabbricante, Yamaha Music Europe GmbH, dichiara che il tipo di apparecchiatura radio [RM-WAP-8] è conforme alla direttiva 2014/53/UE. Il testo completo della dichiarazione di conformità UE è disponibile al seguente indirizzo Internet: https://europe.yamaha.com/en/support/compliance/doc.html</p>	
ES	DECLARACIÓN UE DE CONFORMIDAD SIMPLIFICADA
<p>Por la presente, Yamaha Music Europe GmbH declara que el tipo de equipo radioeléctrico [RM-WAP-8] es conforme con la Directiva 2014/53/UE. El texto completo de la declaración UE de conformidad está disponible en la dirección Internet siguiente: https://europe.yamaha.com/en/support/compliance/doc.html</p>	
PT	DECLARAÇÃO UE DE CONFORMIDADE SIMPLIFICADA
<p>O(a) abaixo assinado(a) Yamaha Music Europe GmbH declara que o presente tipo de equipamento de rádio [RM-WAP-8] está em conformidade com a Diretiva 2014/53/UE. O texto integral da declaração de conformidade está disponível no seguinte endereço de Internet: https://europe.yamaha.com/en/support/compliance/doc.html</p>	
NL	VEREENVOUDIGDE EU-CONFORMITEITSVERKLARING
<p>Hierbij verklaar ik, Yamaha Music Europe GmbH, dat het type radioapparaat [RM-WAP-8] conform is met Richtlijn 2014/53/EU. De volledige tekst van de EU-conformiteitsverklaring kan worden geraadpleegd op het volgende internetadres: https://europe.yamaha.com/en/support/compliance/doc.html</p>	
BG	ОПРОСТЕНА ЕС ДЕКЛАРАЦИЯ ЗА СЪОТВЕТСТВИЕ
<p>С настоящото Yamaha Music Europe GmbH декларира, че този тип радиосъоръжение [RM-WAP-8] е в съответствие с Директива 2014/53/ЕС. Цялостният текст на ЕС декларацията за съответствие може да се намери на следния интернет адрес: https://europe.yamaha.com/en/support/compliance/doc.html</p>	
CS	ZJEDNODUŠENÉ EU PROHLÁŠENÍ O SHODĚ
<p>Tímto Yamaha Music Europe GmbH prohlašuje, že typ rádiového zařízení [RM-WAP-8] je v souladu se směrnicí 2014/53/EU. Úplné znění EU prohlášení o shodě je k dispozici na této internetové adrese: https://europe.yamaha.com/en/support/compliance/doc.html</p>	
DA	FORENKLET EU-OVERENSSTEMMELSESERKLÆRING
<p>Hermed erklærer Yamaha Music Europe GmbH, at radioudstyrstypen [RM-WAP-8] er i overensstemmelse med direktiv 2014/53/EU. EU-overensstemmelseerklæringens fulde tekst kan findes på følgende internetadresse: https://europe.yamaha.com/en/support/compliance/doc.html</p>	

ET	LIHTSUSTATUD ELI VASTAVUSDEKLARATSIOON
Käesolevaga deklareerib Yamaha Music Europe GmbH, et käesolev raadioseadme tüüp [RM-WAP-8] vastab direktiivi 2014/53/EL nõuetele. ELi vastavusdeklaratsiooni täielik tekst on kättesaadav järgmisel internetiaadressil: https://europe.yamaha.com/en/support/compliance/doc.html	
EL	ΑΠΛΟΥΣΤΕΥΜΕΝΗ ΔΗΛΩΣΗ ΣΥΜΜΟΡΦΩΣΗΣ ΕΕ
Με την παρούσα ο/η Yamaha Music Europe GmbH, δηλώνει ότι ο ραδιοεξοπλισμός [RM-WAP-8] πληροί την οδηγία 2014/53/ΕΕ. Το πλήρες κείμενο της δήλωσης συμμόρφωσης ΕΕ διατίθεται στην ακόλουθη ιστοσελίδα στο διαδίκτυο: https://europe.yamaha.com/en/support/compliance/doc.html	
HR	POJEDNOSTAVLJENA EU IZJAVA O SUKLADNOSTI
Yamaha Music Europe GmbH ovime izjavljuje da je radijska oprema tipa [RM-WAP-8] u skladu s Direktivom 2014/53/EU. Cjeloviti tekst EU izjave o sukladnosti dostupan je na sljedećoj internetskoj adresi: https://europe.yamaha.com/en/support/compliance/doc.html	
LV	VIENKĀRŠOTA ES ATBILSTĪBAS DEKLARĀCIJA
Ar šo Yamaha Music Europe GmbH deklarē, ka radioiekārta [RM-WAP-8] atbilst Direktīvai 2014/53/ES. Pilns ES atbilstības deklarācijas teksts ir pieejams šādā interneta vietnē: https://europe.yamaha.com/en/support/compliance/doc.html	
LT	SUPAPRASTINTA ES ATITIKTIES DEKLARACIJA
Aš, Yamaha Music Europe GmbH, patvirtinu, kad radijo įrenginių tipas [RM-WAP-8] atitinka Direktyvą 2014/53/ES. Visas ES atitikties deklaracijos tekstas prieinamas šiuo interneto adresu: https://europe.yamaha.com/en/support/compliance/doc.html	
HU	EGYSZERŰSÍTETT EU-MEGFELELŐSÉGI NYILATKOZAT
Yamaha Music Europe GmbH igazolja, hogy a [RM-WAP-8] típusú rádióberendezés megfelel a 2014/53/EU irányelvnek. Az EU-megfelelőségi nyilatkozat teljes szövege elérhető a következő internetes címen: https://europe.yamaha.com/en/support/compliance/doc.html	
PL	UPROSZCZONA DEKLARACJA ZGODNOŚCI UE
Yamaha Music Europe GmbH niniejszym oświadcza, że typ urządzenia radiowego [RM-WAP-8] jest zgodny z dyrektywą 2014/53/UE. Pełny tekst deklaracji zgodności UE jest dostępny pod następującym adresem internetowym: https://europe.yamaha.com/en/support/compliance/doc.html	
RO	DECLARAȚIA UE DE CONFORMITATE SIMPLIFICATĂ
Prin prezenta, Yamaha Music Europe GmbH declară că tipul de echipamente radio [RM-WAP-8] este în conformitate cu Directiva 2014/53/UE. Textul integral al declarației UE de conformitate este disponibil la următoarea adresă internet: https://europe.yamaha.com/en/support/compliance/doc.html	
SK	ZJEDNODUŠENÉ EÚ VYHLÁSENIE O ZHODE
Yamaha Music Europe GmbH týmto vyhlasuje, že rádiové zariadenie typu [RM-WAP-8] je v súlade so smernicou 2014/53/EÚ. Úplné EÚ vyhlásenie o zhode je k dispozícii na tejto internetovej adrese: https://europe.yamaha.com/en/support/compliance/doc.html	
SL	POENOSTAVLJENA IZJAVA EU O SKLADNOSTI
Yamaha Music Europe GmbH potrjuje, da je tip radijske opreme [RM-WAP-8] skladen z Direktivo 2014/53/EU. Celotno besedilo izjave EU o skladnosti je na voljo na naslednjem spletnem naslovu: https://europe.yamaha.com/en/support/compliance/doc.html	
FI	YKSINKERTAISTETTU EU-VAATIMUSTENMUKAISUUSVAKUUTUS
Yamaha Music Europe GmbH vakuuttaa, että radiolaitetyyppi [RM-WAP-8] on direktiivin 2014/53/EU mukainen. EU-vaatimustenmukaisuusvakuutuksen täysimittainen teksti on saatavilla seuraavassa internetosoitteessa: https://europe.yamaha.com/en/support/compliance/doc.html	
TR	BASİTLEŞTİRİLMİŞ AVRUPA BİRLİĞİ UYGUNLUK BİLDİRİMİ
Hışbu belge ile, Yamaha Music Europe GmbH, radyo cihaz tipinin [RM-WAP-8], Direktif 2014/53/ AB'ye uygunluğunu beyan eder. AB uyumu beyanının tam metni aşağıdaki internet adresinden edinilebilir: https://europe.yamaha.com/en/support/compliance/doc.html	

Importer: Yamaha Music Europe GmbH

Siemensstrasse 22-34, 25462 Rellingen, Germany

Yamaha Global Site
U.S.A. and Canada
<https://uc.yamaha.com/>
Other countries
<https://www.yamaha.com/>

Yamaha Downloads
U.S.A. and Canada
<https://uc.yamaha.com/support/>
Other countries
<https://download.yamaha.com/>

Free Manuals Download Website

<http://myh66.com>

<http://usermanuals.us>

<http://www.somanuals.com>

<http://www.4manuals.cc>

<http://www.manual-lib.com>

<http://www.404manual.com>

<http://www.luxmanual.com>

<http://aubethermostatmanual.com>

Golf course search by state

<http://golfingnear.com>

Email search by domain

<http://emailbydomain.com>

Auto manuals search

<http://auto.somanuals.com>

TV manuals search

<http://tv.somanuals.com>