

YAMAHA

Recoding Mixer

Table de Mixage d'Enregistrement

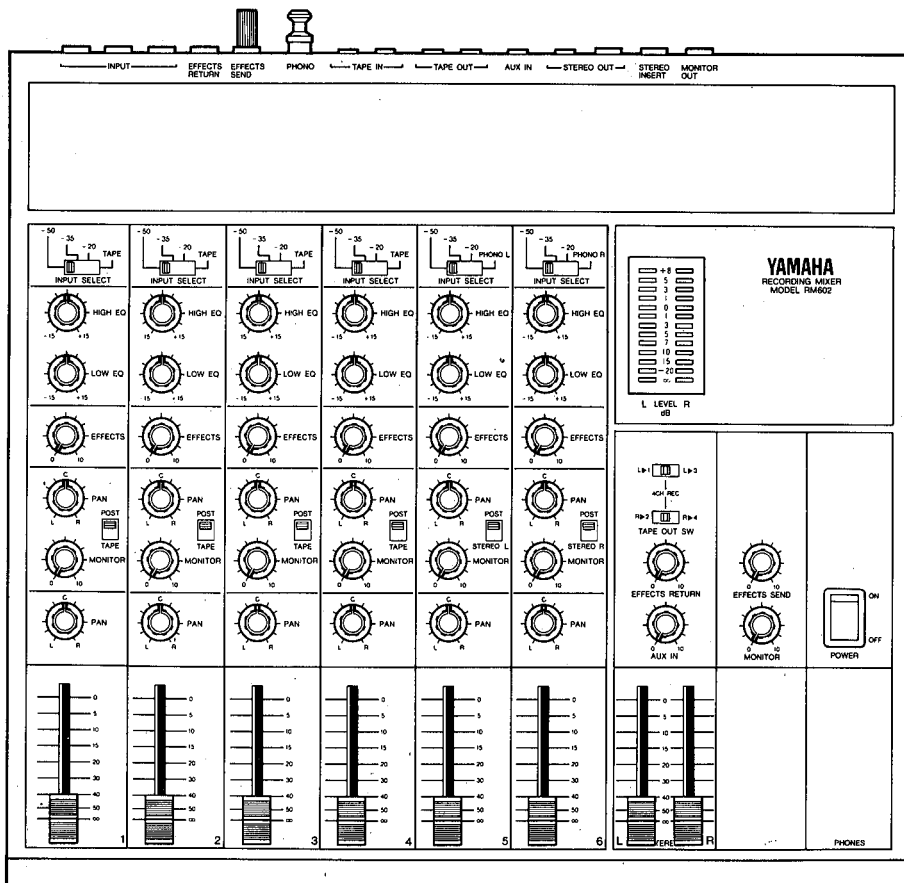
Aufnahmemischpult

RM602

Operating Manual

Mode d'Emploi

Bedienungsanleitung



CONTENTS

CAUTION (PREPARED IN ACCORDANCE WITH UL STANDARD 1270)	2
THE CONTROLS AND THEIR FUNCTIONS.....	3
PRECAUTIONS	3
REAR-PANEL CONNECTIONS.....	7
APPLICATION EXAMPLES	9
SPECIFICATIONS	11
BLOCK DIAGRAM.....	13
LEVEL DIAGRAM	14

TABLE DES MATIERES

PRECAUTIONS A PRENDRE	16
LES COMMANDES ET LEURS FONCTIONS	17
CONNEXIONS DU PANNEAU ARRIERE	21
EXEMPLES D'UTILISATION	23
CARACTERISTIQUES	25
SCHEMA SIMPLIFIE	27
DIAGRAMME DE NIVEAU	28

INHALTSVERZEICHNIS

VORSICHTSMASSNAHMEN	30
BEDIENUNGSELEMENTE UND FUNKTIONEN	31
RÜCKSEITIGE ANSCHLÜSSE	35
ANWENDUNGSBEISPIELE	37
TECHNISCHE DATEN	39
BLOCKSCHALTBILD	41
PEGELDIAGRAMM	42

Thank you for choosing the Yamaha RM602 Recording Mixer. The RM602 is a compact 6-in/2-out mixing console offering top-quality sound and a comprehensive range of control features. The RM602 has been specifically designed to provide optimum performance in a small sound recording system. To take full advantage of the outstanding performance and flexibility provided by this mixer, we urge you to read this operation manual thoroughly.



• Explanation of Graphical Symbols



The lightning flash with arrowhead symbol, within an equilateral triangle, is intended to alert you to the presence of uninsulated "dangerous voltage" within the product's enclosure that may be of sufficient magnitude to constitute a risk of electric shock to persons.



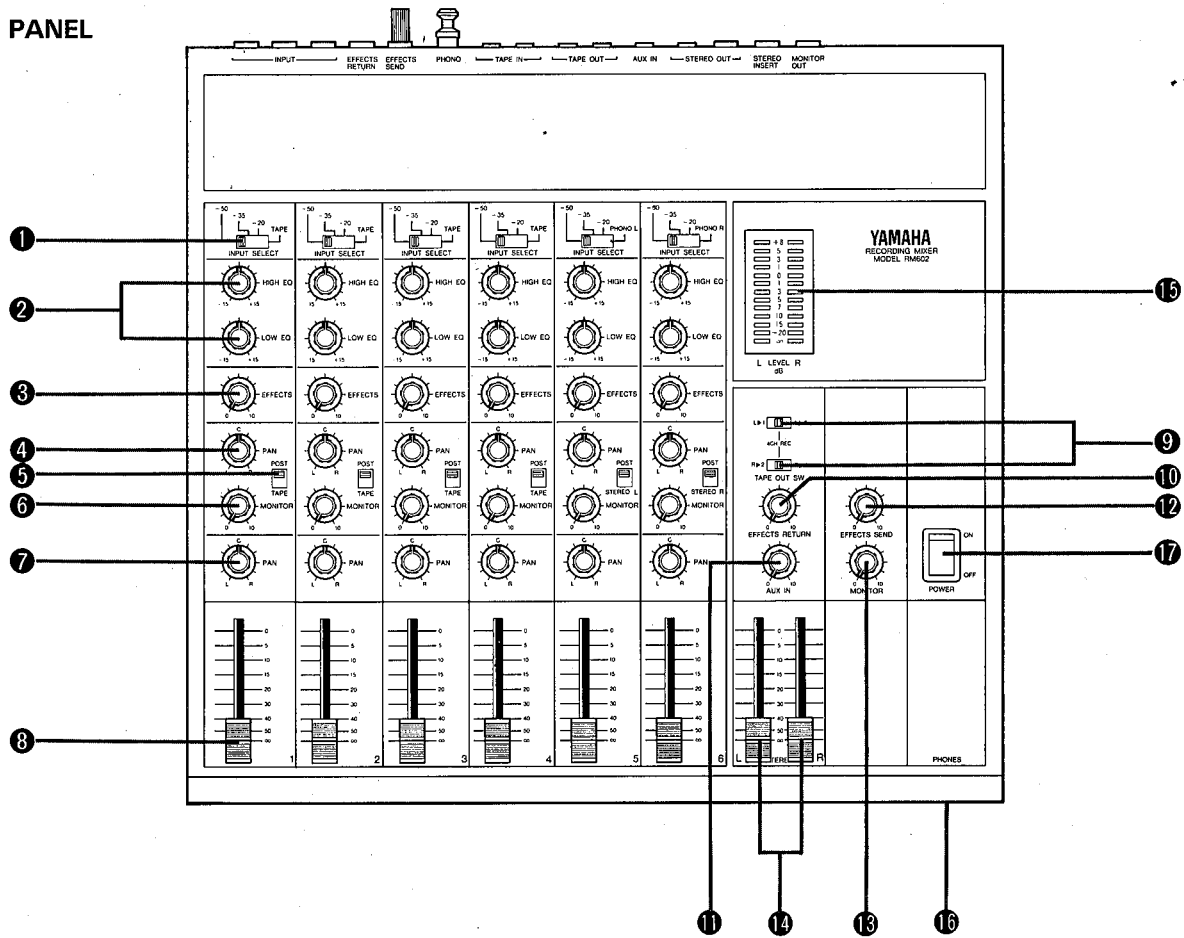
The exclamation point within an equilateral triangle is intended to alert you to the presence of important operating and maintenance (servicing) instructions in the literature accompanying the appliance.

CAUTION (PREPARED IN ACCORDANCE WITH UL STANDARD 1270)

1. Read Instructions—All the safety and operating instructions should be read before the appliance is operated.
2. Retain Instructions—The safety and operating instructions should be retained for future reference.
3. Heed Warnings—All warnings on the appliance and in the operating instructions should be adhered to.
4. Follow Instructions—All operating and use instructions should be followed.
5. Water and Moisture—The appliance should not be used near water—for example, near a bathtub, washbowl, kitchen sink, laundry tub, in a wet basement, or near a swimming pool, etc.
6. Carts and Stands—The appliance should be used only with a cart or stand that is recommended by the manufacturer.
7. Wall or Ceiling Mounting—The appliance should be mounted to a wall or ceiling only as recommended by the manufacturer.
8. Ventilation—The appliance should be situated so that its location or position does not interfere with its proper ventilation. For example, the appliance should not be situated on a bed, sofa, rug, or similar surface that may block the ventilation openings; or, placed in a built-in installation, such as a bookcase or cabinet that may impede the flow of air through the ventilation openings.
9. Heat—The appliance should be situated away from heat sources such as radiators, heat registers, stoves, or other appliances (including amplifiers) that produce heat.
10. Power Sources—The appliance should be connected to a power supply only of the type described in the operating instructions or as marked on the appliance.
11. Power-Cord Protection—Power-supply cords should be routed so that they are not likely to be walked on or pinched by items placed upon or against them, paying particular attention to cords at plugs, convenience receptacles, and the point where they exit from the appliance.
12. Cleaning—The appliance should be cleaned only as recommended by the manufacturer.
13. Nonuse Periods—The power cord of the appliance should be unplugged from the outlet when left unused for a long period of time.
14. Object and Liquid Entry—Care should be taken so that objects do not fall into and liquids are not spilled into the inside of the appliance.
15. Damage Requiring Service—The appliance should be serviced by qualified service personnel when:
 - A. The power-supply cord or the plug has been damaged; or
 - B. Objects have fallen, or liquid has been spilled into the appliance; or
 - C. The appliance has been exposed to rain; or
 - D. The appliance does not appear to operate normally or exhibits a marked change in performance; or
 - E. The appliance has been dropped, or the enclosure damaged.
16. Servicing—The user should not attempt to service the appliance beyond that described in the operating instructions. All other servicing should be referred to qualified service personnel.

THE CONTROLS AND THEIR FUNCTIONS

FRONT PANEL



INPUT SECTION

1. INPUT SELECTOR

This four-position input selector sets the input sensitivity of the six channel inputs to -50 , -35 or -20 dB. Note also that the fourth position on channels 1–4 is labelled "TAPE", while the same position on channels 5 and 6 are labelled "PHONO L" and "PHONO R". When the TAPE position on inputs 1–4 is selected, the corresponding TAPE IN input (see rear panel) is selected as input rather than the channel INPUT. When the PHONO position on inputs 5 and/or 6 is selected, the correspon-

ding phono input channel (PHONO L or PHONO R) is selected.

The -50 / -35 / -20 dB sensitivity positions on the input selector allow you to match the input sensitivity of each input channel to match the source—e.g. microphone, electronic music instruments or line level sources. This allows you to use just about any source on any input channel without overloading the mixer's electronics. Most microphones—especially dynamic types—will work best with the -50 dB input setting. Some high-output condenser and electret mics may require the -35 dB setting.

PRECAUTIONS

- Be sure to turn down all faders when making input/output connections.
- Do not expose the RM602 to direct sunlight or other sources of heat such as radiators, etc.
- Irreparable damage may result from opening the RM602 cabinet or attempting to alter the internal circuitry.
- Avoid dropping your RM602 or subjecting it to any type of shock, as impaired performance may result.
- Do not attempt to clean the RM602 with benzine or other solvents, as these may cause discoloration or deformation of the cabinet. Clean the unit with a soft, dry cloth.

The -35 dB setting is most ideal for direct input from electric guitars and basses. The -20 dB setting is the "line level" setting, accepting output from most line-level sources: some synthesizers and electronic keyboards, and most standard audio sources (tape players, etc.).

The TAPE position on the first four input channels lets you switch from the INPUT sources to the outputs from a 4-channel multitrack recorder without having to repatch cables. This is particularly handy when you want to remix the recorded material on 4-track tape down to standard stereo format.

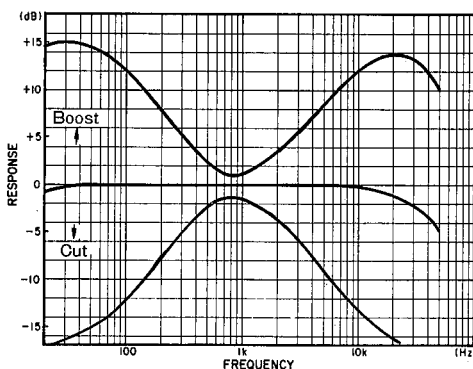
The PHONO L and PHONO R positions on the channel 5 and 6 selectors direct the output from the RM602's built-in phono equalizer amplifier (see rear panel) to channels 5 and 6, subject to all the controls available on those channels.

2. HIGH AND LOW EQ

The HIGH EQ and LOW EQ controls provide some tonal control over the sound of each input channel. The HIGH control provides plus or minus 15 dB of boost or cut in the frequency range above 10 kHz ("shelving" EQ), while the LOW control permits boosting or cutting frequencies below 100 Hz by the same amount.

HIGH EQ is valuable for emphasizing the high frequencies of certain instruments—cymbals, for example—and for reducing hiss and noise on channels in which the source has no essential frequencies in the range above 10 kHz.

LOW EQ can be boosted to make a bass sound bassier, or cut to minimize rumble or microphone proximity effects.



3. EFFECTS SEND LEVEL

This control determines the amount of that channel's signal which is sent to the internal effects mixing buss. This effects buss feeds the rear-panel EFFECTS SEND jack—via the master effects send level control (see MASTER SECTION)—which normally feeds an external echo or reverb device. Having independent effects send controls on each input channel means that the amount of effect applied to the signal from each channel can be set independently.

The signal sent to the effects buss is "post EQ/fader", meaning that it is taken from a point after the equalizer and channel fader circuitry.

4. MONITOR PAN CONTROL

One of the more attractive features of the RM602 is its independent stereo monitor buss which makes it possible to monitor a completely independent stereo mix of the input channel or tape signals. The monitor PAN control determines the placement of that channel's signal in the stereo monitor sound field. Turning the pan control fully to the left sends the signal only to the left monitor buss—meaning that you hear the signal only from the left monitor speaker. Conversely, turning the control all the way to the right sends the signal to the right monitor buss only. Pan control positions in between extreme left and right send a corresponding amount of the signal to both busses, causing the signal to appear in the corresponding position in the stereo sound field.

5. MONITOR POST/TAPE SELECTOR (CHANNELS 1–4)

MONITOR POST/STEREO L OR STEREO R SELECTOR (CHANNELS 5 & 6)

On channels 1 through 4 this selector determines whether the channel input source (POST) or the corresponding tape input signal is sent to the monitor buss. On channels 5 and 6 the choice is between the channel input source or the left (CH 5) or right (CH 6) stereo mixing buss signals. The fact that the channel signal position is marked "POST" indicates that the channel signal is derived from a point after the equalization and fader stages.

6. MONITOR LEVEL

This control determines the amount of that channel's signal (or the selected tape or stereo buss signal) which is fed to the stereo monitor mixing buss via the monitor PAN control discussed above. Independent monitor level controls on each channels permit a monitor mix to be set up independently from the input channel faders.

7. PAN

This control has the same effect as the monitor PAN control, discussed above, except that the channel signal is panned across the main program buss which feeds the mixer's main stereo outputs.

Panning is one of the more "conventional" functions that a stereo mixer performs, permitting acoustic placement of each instrument or group of instruments at any desired location in the stereo sound field. I.e., the sound of a particular instrument can appear to come from the left speaker, right speaker, or anywhere in between. This positioning of the signal from each input channel is performed using "pan pots". The position of the pan pots relates directly to the acoustic position of the respective channel's signal: pan pot fully clockwise means that the sound comes from the right channel speaker, fully counterclockwise means that the sound comes from the left channel speaker, and at intermediate pan pot settings the sound appears to be located at the appropriate point between the left and right speakers.

The pan pots can also be used to create the effect of "floating" an instrument from one side of the stereo sound stage to the other.

Generally, you'll use the pan pots to create the desired acoustic image.

8. INPUT FADER

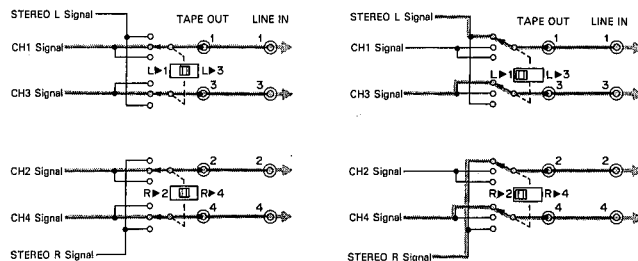
The input faders are what provide the actual "mixing" function in a mixer. They permit individual adjustment of the levels of the six input sources so you can achieve just the right overall balance between instruments, vocals, or whatever you are mixing.

These are the controls that you'll be using the most, and how they are used can make the difference between excellent and mediocre sound. Maximum signal-to-noise ratio and minimum distortion, and therefore the best sound, is generally obtained with fader settings between about 1/3 and 3/4 of the fader scale. Fader settings that are too high or too low should be avoided by increasing or decreasing the level of the source whenever possible. Most electronic keyboards and electric guitars have an output level control, and microphone output level can be adjusted by changing the distance of the microphone from the sound source.

MASTER SECTION

9. TAPE OUT SWITCHES

Rather than always having input channels 1 through 4 feed the corresponding TAPE OUT jacks, these switches make it possible to send the left stereo buss signal to either the TAPE OUT 1 or 3 jacks, and the right stereo buss signal to either the TAPE OUT 2 or 4 jacks. This makes it possible to reconfigure the system to mix the input channels down to stereo on the recorder connected to the TAPE OUT jacks.



10. EFFECTS RETURN

The output from the effects device you use (normally echo or reverberation, fed by the EFFECTS SEND jack) is returned to the EFFECTS RETURN jack and fed to the stereo mixing buss via the EFFECTS RETURN control. In other words, this control determines how much of the externally processed signal is mixed back into the main stereo program.

11. AUX IN

The RM602 has a pair of AUX IN terminals that make it possible to mix an extra stereo signal in with the sources present at the six input channels. The AUX IN control adjusts the level of the AUX IN signal in relation to the rest of the program. What you connect to the AUX IN terminals depends entirely on your specific application, but here are just a few examples:

1. You could connect the outputs from a stereo cassette deck to the AUX IN terminals and play back a tape of your favorite band. Then you can mix in your own instrument and play along—a great way to practice.
2. With the same setup as in number 1, above, the cassette tape can be supplying background music while you mix in a narration and/or sound effects for your audio/visual show and record the mixed program on a second tape recorder.
3. Another possible use for this feature is as extra inputs if the six main input channels are all in use. An electronic keyboard or other line-level source could be connected to the AUX IN terminals with a phone-to-RCA pin plug adaptor and mixed in with the rest of the program using the AUX control. Of course you don't get any tone control or panning capability, but if you need the extra inputs, they're available.

12. EFFECTS SEND MASTER LEVEL

This control sets the overall level of the effects mix—set up by the EFFECTS control on each input channel—fed to the EFFECTS SEND jack. Normally, this control will be set to provide the optimum input level for the effects device you are using.

13. MONITOR MASTER LEVEL

This control determines the overall level of the monitor mix—set up by the MONITOR level and PAN controls on each input channel—fed to the stereo MONITOR OUT jacks and the PHONES jack. Use the master MONITOR control to set a comfortable headphone listening level.

14. MASTER FADERS

These controls independently set the overall output level from the left and right stereo busses. These signals appear at the STEREO L OUT and STEREO R OUT jacks.

15. STEREO PEAK LEVEL METER

In the input fader section we discussed the importance of proper fader setting in order to achieve the best possible sound quality. The RM602's LED peak meters are a tremendous aid in setting optimum fader levels. Two meters are provided—one each for the left and right stereo output channels. Each meter consists of 13 LED segments that light in sequence to show the peak signal level for the respective channel. Meter display range is from -20 dB to $+8$ dB. Levels below 0 dB are displayed in green, 0 , $+1$ and $+3$ dB levels are displayed in orange, while $+5$ and $+8$ dB levels are displayed in red. Watching the meters you can easily see when signal levels are high enough to present a danger of overload distortion—signals that light the red LEDs are likely to cause distortion. On the other hand, if the meters almost never reach the 0 dB level, then the overall program level is too low. Once the optimum program level has been set, peaks in the program will cause the orange LEDs to flicker occasionally, and most of the green LEDs will stay lit most of the time. This applies mainly to the average music program. Some types of program will have a completely different effect on the meters, requiring appropriate level adjustment. In general, though, it is a good idea to avoid a lot of peaks in the red region. Also remember that when only one instrument is playing the level might look quite low on the meters, but when instruments connected to all six inputs start to play their individual levels can add up to overload distortion. So check the meters when the entire program is playing.

16. HEADPHONE JACK

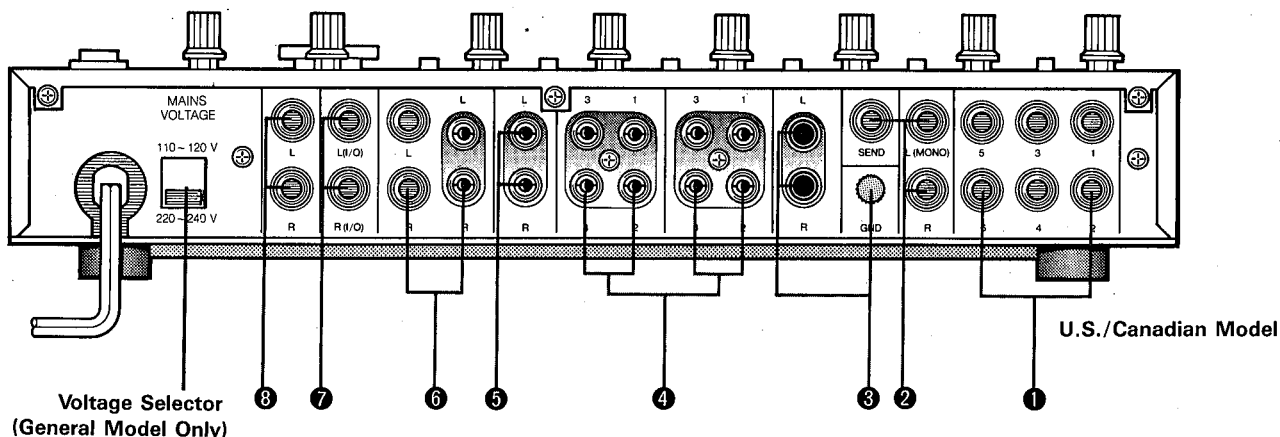
This is a convenient feature in that it lets you directly plug in any standard pair of stereo headphones for monitoring without the need for an external amplifier.

17. POWER SWITCH

This is the power switch. When the power is turned ON, the lowest position on the level meter (" ∞ ") will light up.

REAR-PANEL CONNECTIONS

REAR PANEL



1. CHANNEL INPUTS

These jacks are the main inputs to the RM602's six input channels. They accept both line-level and microphone input depending on the setting of the respective input selector switch. Standard 1/4" phone jacks insure compatibility with just about any electronic instrument or microphone.

2. EFFECTS SEND AND RETURN

The output from the EFFECTS SEND jack is fed to the input of an external signal processing device such as delay or reverb (The Yamaha D1500 is a superb digital delay unit, while the R1000 offers high-quality reverb effects).

The output from the external signal processing device is then fed back to the EFFECTS RETURN jack from which it is mixed with the main stereo program via the EFFECTS RETURN level control. When the EFFECTS RETURN signal is received in stereo, input to both the EFFECTS RETURN L and R terminals; when received in mono, input to the L terminal.

3. PHONE EQ AMP INPUTS AND GND TERMINAL

The RM602 has a built-in phono equalizer amplifier which makes it possible to directly connect the stereo outputs from a conventional turntable (record player) to these inputs, permitting the phono signal to be used alone or mixed with other inputs. The left and right phono channels feed input channels 5 and 6 when the channel 5 and 6 input selectors are set to PHONO L and PHONO R, respectively.

Be sure to connect the ground wire from the phone player to the GND terminal. When the turntable is not connected, insert a short plug into the PHONO terminal.

4. TAPE INPUTS AND OUTPUTS

Four inputs and outputs are provided for direct connection to a 4-channel multitrack tape deck—such as the Yamaha MT44D or MT44. The outputs from the tape deck connect to the RM602 TAPE IN jacks, and the tape deck inputs connect to the RM602 TAPE OUT jacks. The tape inputs are selected for mixdown or monitoring by setting the appropriate channel input selectors (channels 1–4) to TAPE. Input channels 1 through 4 feed the respective TAPE OUT jacks.

These specialized inputs and outputs mean that the tape deck can stay connected all the time—unlike many more expensive mixers with which you have to keep patching and repatching cables whenever you need to change from line to tape input.

5. AUXILIARY INPUTS

Any line-level stereo (or mono if necessary) signal can be added to the main program by these terminals. This is a great place to connect the outputs from a stereo cassette deck, for example.

6. STEREO OUTPUTS

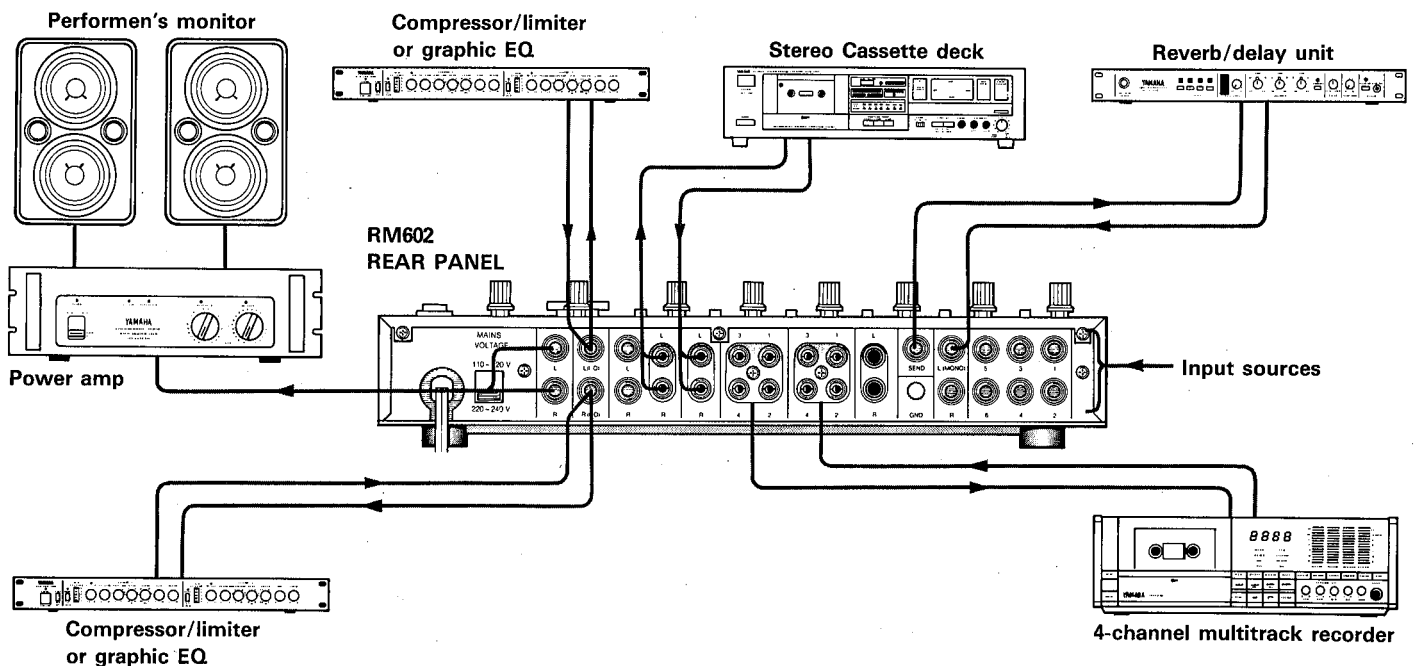
These are the main outputs from the RM602. They carry the stereo program set up at the input channels and AUX inputs. Both standard 1/4" phone jack and RCA pin jack output terminals are provided.

APPLICATION EXAMPLES

1. Check out your original arrangements or make top-quality demo tapes with an RM602 and a 4-channel multitrack recorder (and you can play all the instruments yourself!).
The ideal companion 4-track multitrack cassette recorder for the RM602 is the Yamaha MT44D. Both the RM602 and MT44D can be conveniently housed in the RB35B rack, which also features a handy built-in patch bay.
2. The RM602 makes a great on-stage keyboard mixer. You can control the balance and sound of your keyboard setup before sending your signal to the sound reinforcement mixer.

3. The RM602 provides extensive mixing flexibility for superb sound at band practice or mini-concerts.
4. If you're a "videophile," you need a good multi-function mixing system for post-production work like adding background music, narration or sound effects. The RM602 is ideal.

SYSTEM EXAMPLES: RECORDING SYSTEM



■ A MULTITRACK RECORDING SYSTEM

WHAT YOU NEED

Basically, all you need for a simple multitrack recording setup are your instruments, a couple of good mics (if you're going to be recording voice or acoustic instruments), a 4-channel multitrack recorder such as the Yamaha MT44D, an RM602 and a pair of headphones. With this simple system you can create surprisingly complex recordings with your band, or by yourself. And although the term "4-track recorder" seems to imply that you can only record 4 individual parts, you can actually record up to ten individual parts using a technique known as "ping-ponging" (for details on this and many other recording techniques, refer to the Yamaha Multitrack Guidebook). There's no better way to brush up your compositions, arrangements and playing technique, and then show it all off in the form of a high-quality demo tape. To make a demo tape you'll need a regular stereo cassette deck to "mix down" to from the original 4-track master tape.

MORE INSTRUMENTS FOR MORE CREATIVE VERSATILITY

Once you get set up and rolling with your multitrack system, you'll discover that the more instruments you have available the better. This allows you to create more diverse tonal textures and interesting combinations of sounds (can you imagine 10 tracks of guitar? Interesting at first but it would soon get pretty tiresome). One instrument that is not so limited in terms of the sounds it produces is the synthesizer. With carefully planned synthesizer "patches" that produce a diverse, but carefully matched, range of voices, you could create a complete composition that would not be in the least bit tiresome.

Yamaha offers an extensive line of synthesizers that are ideal for the purpose—all the way from the tiny CS01-II monophonic synthesizer right up to the professionally acclaimed DX-series Digital Programmable Algorithm synthesizers.

Rhythm is another problem that most multitrack recordists encounter sooner or later. Unless you're a drummer, it's probably impractical to buy or borrow a complete set of drums for your "studio." Once again, Yamaha comes to the rescue with the exciting new RX-series digital rhythm programmers. These are drum machines that not only sound like the real thing (the drum sounds are digitally recorded), but offer extensive programming versatility as well as MIDI (Music Instrument Digital Interface) compatibility.

EXTRA MONITORING CAPABILITY

With a little experience your recordings should start to sound quite professional, and you'll probably find you need a bit more monitoring versatility than a pair of headphones provides. At this point you should check out the Yamaha Producer Series MS10 Monitor Speaker. This compact speaker features a high-quality built-in 20 watt power amplifier, and has volume, bass and treble controls on the front panel.

Of course, if you want to go all the way you can use a high-quality stereo power amplifier and monitor speakers—Yamaha offers an outstanding selection.

MORE TO COME

The Yamaha lineup of products specifically designed for the small recording studio is expanding. More and more products that will help you make professional-quality recordings will become available in the near future.

SPECIFICATIONS

Frequency Response (@10 k-ohms, Rated Level)	20 Hz ~ 20 kHz (+1, -2 dB)
Total Harmonic Distortion (20 Hz ~ 10 kHz, 10 k-ohms, +10 dB)	Less than 0.05%
Noise Level* (20 Hz ~ 20 kHz, Input Shorted, INPUT SELECT "-50")	
Equivalent Input Noise	-122 dB
Residual Noise (STEREO OUT EFFECTS SEND)	-101 dB
STEREO OUT (MASTER Fader: nominal All CH Faders: minimum)	-89 dB
MONITOR OUT (MONITOR Volume: nominal, All CH MONITOR Volumes: minimum)	-79 dB
EFFECTS SEND (EFFECTS SEND Volume: nominal, All CH EFFECTS Volume: minimum)	-89 dB
Maximum Output Level (10k-ohms, THD 0.2%, 20 Hz ~ 20 kHz)	+17.5 dB
Maximum Voltage Gain	
CH INPUT to STEREO OUT	52 dB
CH INPUT to MONITOR OUT	68 dB
CH INPUT to EFFECTS SEND	58 dB
CH INPUT to TAPE OUT	46 dB
CH INPUT to ST INSERT OUT	46 dB
TAPE IN to STEREO OUT	12 dB
TAPE IN to MONITOR OUT	22 dB
AUX IN to STEREO OUT	16 dB
EFFECTS RETURN to STEREO OUT	16 dB
ST INSERT IN to STEREO OUT	6 dB
Crosstalk (1 kHz)	
Input CH to Input CH	-60 dB
Input CH to Output CH	-60 dB
Equalizer Characteristics	
HIGH-EQ (10 kHz Shelving)	± 15 dB
LOW-EQ (100 Hz Shelving)	± 15 dB
Power Requirements	
(UL, U.S.A.)	AC120 V, 60 Hz
(General)	AC110, 120, 220, 240 V 50/60 Hz
Power Consumption	15 W
Dimensions (W×H×D)	340×73×325 mm (13-3/8"×2-7/8"×12-3/4")
Weight	3.2 kg (7 lbs. 1 oz.)

Specifications subject to change without notice.

**Measured with a -6 dB/octave LPF 12.7 kHz.*

0 dB = 0.775 V r.m.s.

■ INPUTS

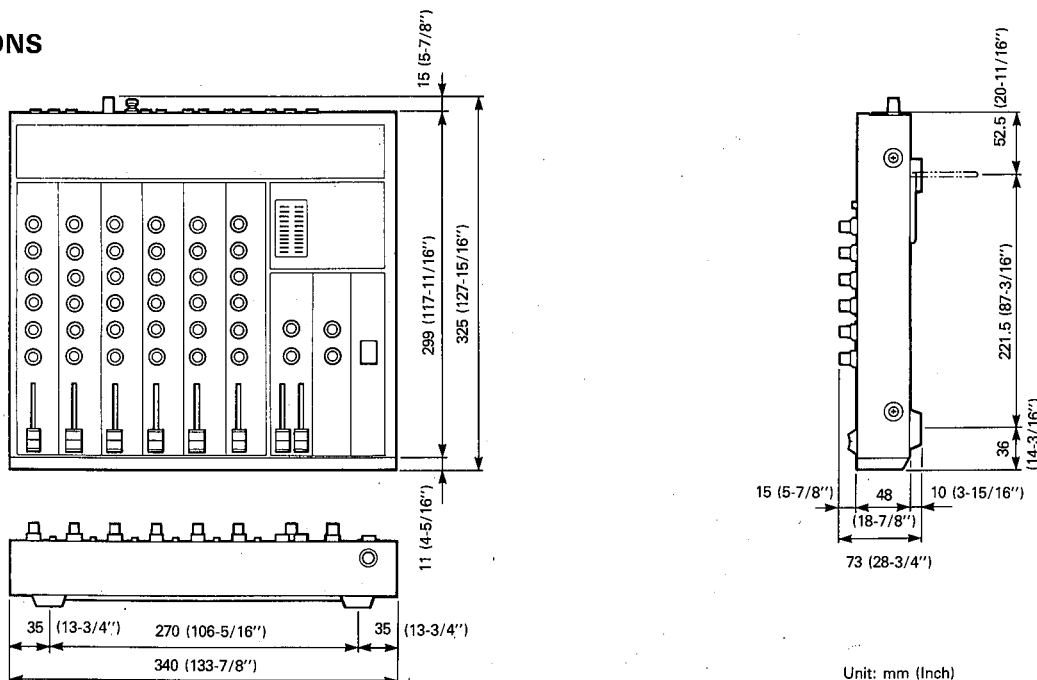
INPUT TERMINALS	INPUT SELECT	INPUT IMPEDANCE	SOURCE IMPEDANCE*	SENSITIVITY* (MAXIMUM GAIN)	INPUT LEVEL		CONNECTOR
					NOMINAL LEVEL	MAX. NON-CLIPPING LEVEL	
CH INPUT CH1 ~ CH6	-50 dB	20 k-ohms	50 ~ 250 ohms MIC or 600 ohms LINES	-62 dB (0.62 mV)	-50 dB (2.5 mV)	-22.5 dB (58.1 mV)	PHONE JACK
	-35 dB			-47 dB (3.5 mV)	-35 dB (13.8 mV)	-7.5 dB (327 mV)	
	-20 dB			-32 dB (19.5 mV)	-20 dB (77.5 mV)	+7.5 dB (1.84 V)	
TAPE IN CH1 ~ CH4		10 k-ohms	TAPE DECK	-22 dB (61.5 mV)	-10 dB (245 mV)	+17.5 dB (5.81 V)	PIN JACK
PHONO IN CH5, CH6		47 k-ohms	TURNTABLE	-62 dB (0.62 mV)	-50 dB (2.5 mV)	-22.5 dB (58.1 mV)	PIN JACK
AUX IN (L, R)		10 k-ohms	600 ohms LINES	-26 dB (38.8 mV)	-20 dB (77.5 mV)	+20.0 dB (7.75 V)	PIN JACK
EFFECTS RETURN (L, R)		10 k-ohms	600 ohms LINES	-26 dB (38.8 mV)	-20 dB (77.5 mV)	+20.0 dB (7.75 V)	PHONE JACK
ST INSERT IN (L, R)		10 k-ohms	600 ohms LINES	-16 dB (123 mV)	-10 dB (245 mV)	+20.0 dB (7.75 V)	PHONE JACK (TRS)

■ OUTPUTS

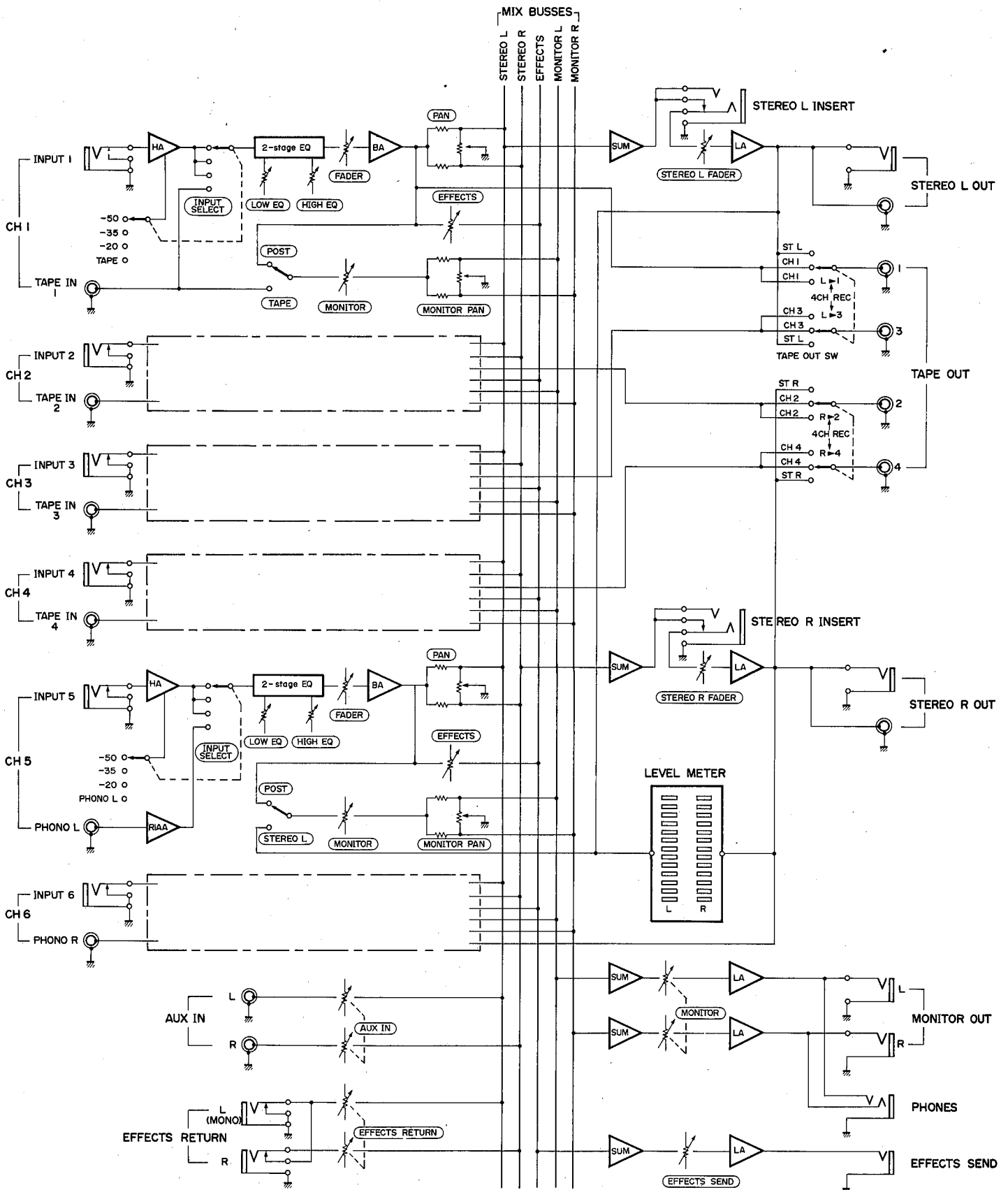
OUTPUT TERMINALS	OUTPUT IMPEDANCE	LOAD IMPEDANCE	OUTPUT LEVEL		CONNECTOR
			RATED LEVEL	MAX. NON-CLIPPING LEVEL	
STEREO OUT (L, R)	330 ohms	10 k-ohms LINES	-10 dB (245 mV)	+17.5 dB (5.81 V)	PHONE JACK & PIN JACK
MONITOR OUT (L, R)	330 ohms	10 k-ohms LINES	0 dB (775 mV)	+17.5 dB (5.81 V)	PHONE JACK
EFFECTS SEND	330 ohms	10 k-ohms LINES	-10 dB (245 mV)	+17.5 dB (5.81 V)	PHONE JACK
TAPE OUT (1 ~ 4)	330 ohms	10 k-ohms LINES	-10 dB (245 mV)	+17.5 dB (5.81 V)	PIN JACK
ST INSERT OUT (L, R)	330 ohms	10 k-ohms LINES	-10 dB (245 mV)	+17.5 dB (5.81 V)	PHONE JACK (TRS)
PHONES	100 ohms	8 ohms PHONES	-22 dB (61.6 mV)	-4.5 dB (462 mV)	STEREO PHONE JACK

*Sensitivity is the lowest level that will produce an output of -10 dB.
0 dB = 0.775 V r.m.s.
All inputs and outputs are unbalanced.

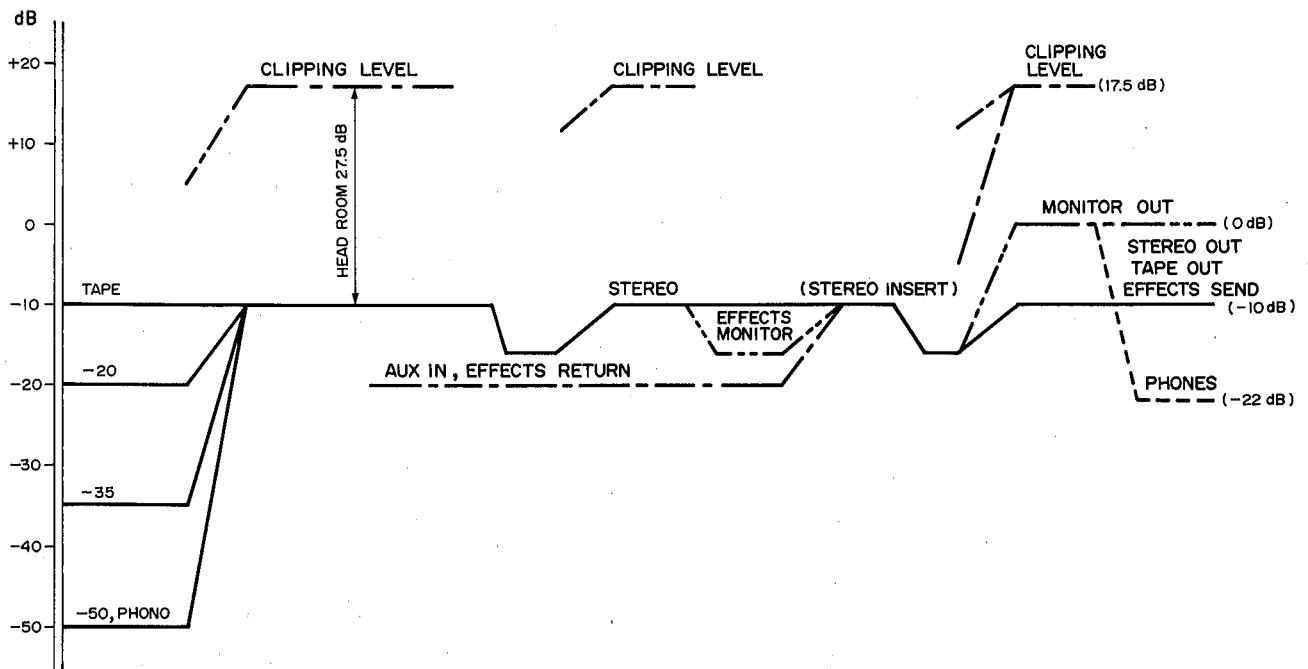
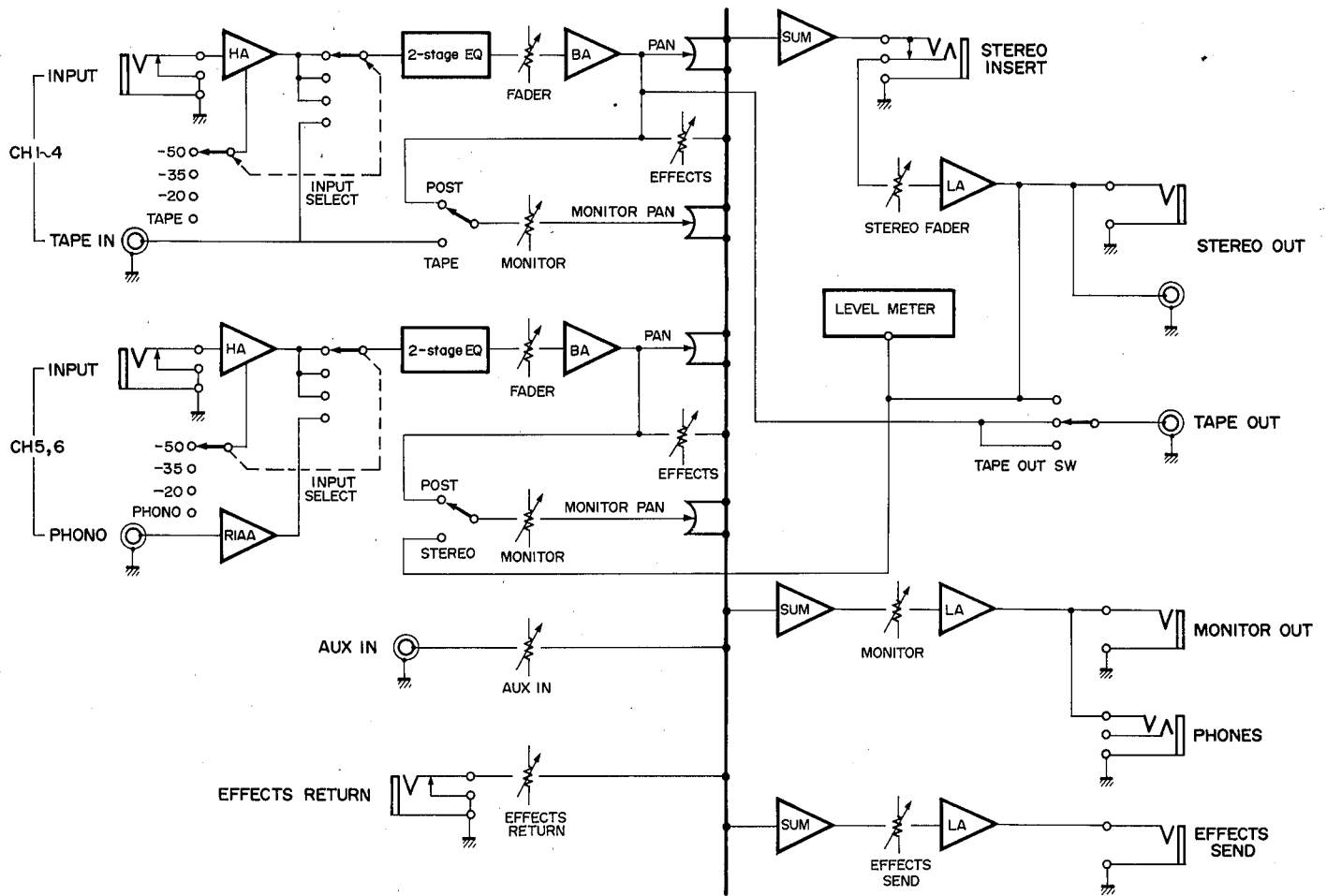
■ DIMENSIONS



BLOCK DIAGRAM



LEVEL DIAGRAM



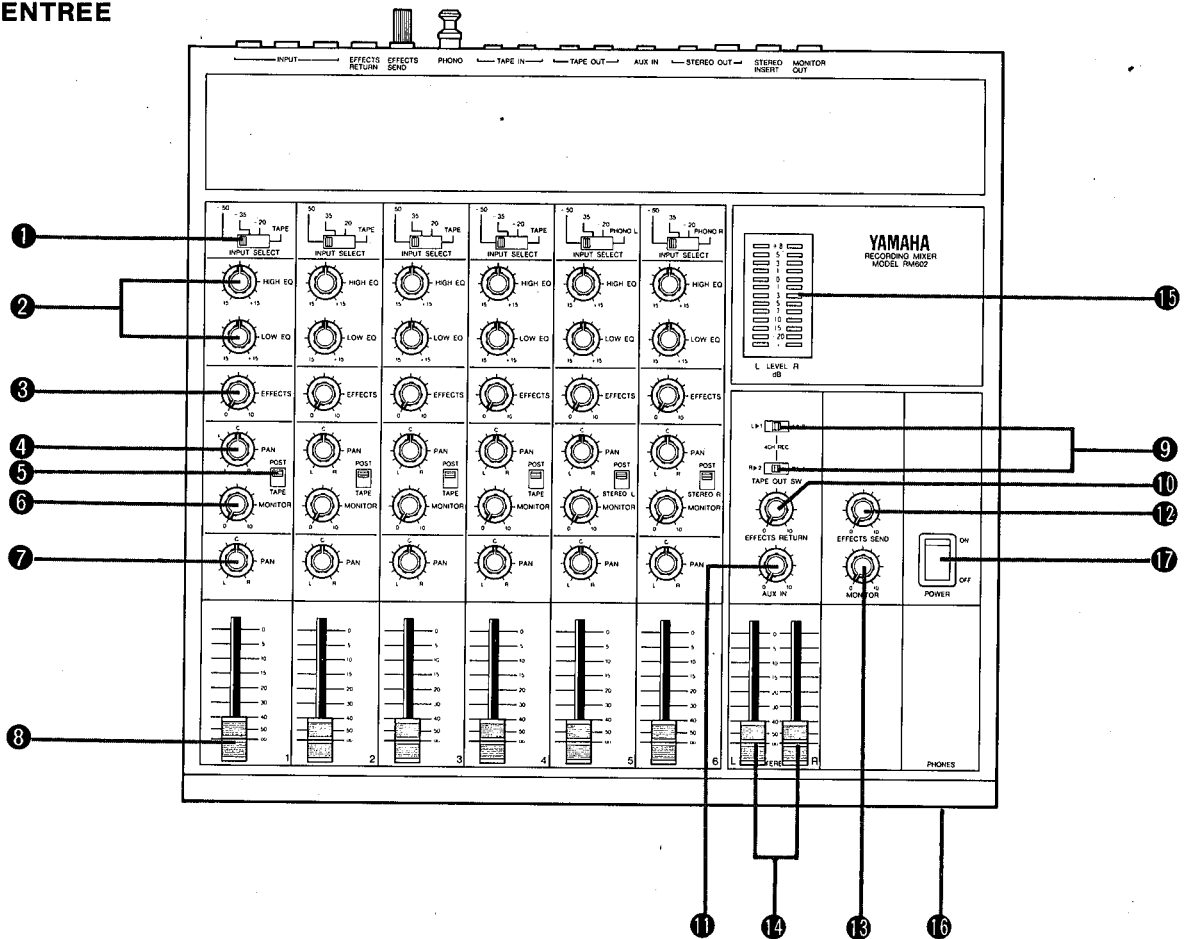
Nous vous remercions d'avoir choisi la table de mixage RM602 YAMAHA. Le RM602 est une table de mixage compacte à 6 entrées/2 sorties offrant un son de première qualité et une vaste gamme de commandes. Le RM602 a été spécialement conçu afin de fournir des performances optimales dans un petit système d'enregistrement. Pour profiter au maximum des performances exceptionnelles et de la souplesse opérationnelle de cette table de mixage nous vous demandons de lire attentivement ce mode d'emploi.

PRECAUTIONS A PRENDRE

- Assurez-vous de ramener à zéro tous les atténuateurs quand vous faites les connexions des entrées et des sorties.
- Assurez-vous que le RM602 est hors d'atteinte des rayons directs du soleil ou à l'écart de sources de chaleur (radiateurs, etc.).
- Des dommages irréparables pourraient résulter de l'ouverture du coffret ou d'une altération des circuits internes.
- Evitez de faire tomber ou de faire subir tout genre de choc au RM602 car des performances altérées pourraient en résulter.
- N'utilisez pas de benzine ou autres diluants pour nettoyer le RM602 car cela pourrait entraîner la décoloration ou la déformation du coffret. Nettoyez cet appareil avec un chiffon doux et sec.

LES COMMANDES ET LEURS FONCTIONS

SECTION ENTREE



1. SELECTEUR D'ENTREE

Ce sélecteur d'entrée à quatre positions règle la sensibilité d'entrée des six canaux d'entrée à -50 , -35 ou -20 dB. Notez aussi que la quatrième position des canaux 1 - 4 est marquée "TAPE" (bande), alors que la même position sur les canaux 5 à 6 est marquée "PHONO L" (GAUCHE) et "PHONO R" (DROIT). Quand la position TAPE des canaux 1 - 4 est sélectionnée, l'entrée TAPE IN correspondante (voir panneau arrière) est sélectionnée en tant qu'entrée plutôt que le canal INPUT (entrée). Quand la position PHONO des entrées 5 et/ou 6 est sélectionnée, le canal d'entrée PHONO correspondant (PHONO GAUCHE "L" ou PHONO DROIT "R") est sélectionné.

Les positions de sensibilité $-50/-35/-20$ dB sur le sélecteur d'entrée vous permettent d'adapter la sensibilité d'entrée des canaux à la source, comme par exemple avec un microphone, avec des instruments de musique électronique ou avec des sources à niveau ligne. Cela vous permet d'utiliser à peu près n'importe quelle source avec n'importe quel canal d'entrée sans surcharger la table de mixage électronique. La plupart des microphones, et spécialement ceux de type

électrodynamique, donnent de meilleures performances quand le sélecteur d'entrée est réglé sur -50 dB.

Certains microphones à condensateur de niveau élevé et certains microphones à électret peuvent demander un réglage de -35 dB. Le réglage de -35 dB est idéal pour des entrées directes de guitares électriques et de basses. Le réglage -20 dB est le réglage de "niveau ligne", acceptant des sorties de la plupart des sources de niveau lignes: certains synthétiseurs et claviers électroniques, ainsi que la plupart des sources audio normalisées (magnétophones, etc.).

La position TAPE des quatre premiers canaux d'entrée vous permet de passer des sources d'entrée aux sorties d'un enregistreur multipiste à 4 canaux sans avoir à reconnecter les câbles. Cela est particulièrement utile quand vous désirez remixer l'enregistrement d'une bande 4 pistes sur une bande stéréo standard.

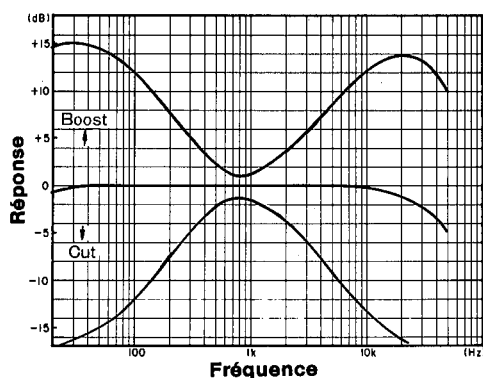
Les positions PHONO L et PHONO R des sélecteurs des canaux 5 et 6 dirigent la sortie de l'amplificateur égaliseur phono incorporé RM602 (voir panneau arrière) vers les canaux 5 et 6; toutes les commandes de ces canaux seront alors utilisables.

2. EGALISEURS AIGU ET GRAVE (HIGH & LOW EQ)

Les commandes HIGH EQ et LOW EQ fournissent un contrôle de tonalité sur chaque canal d'entrée. La commande HIGH (AIGU) fournit une accentuation ou une réduction de plus ou moins 15 dB dans la bande de fréquence au dessus de 10 kHz (en pente), tandis que la commande LOW (GRAVE) permet une accentuation ou une réduction de même amplitude des fréquences en dessous de 100 kHz.

L'égaliseur aigu (HIGH EQ) est précieux lorsque vous désirez accentuer les hautes fréquences de certains instruments (comme par exemple des cymbales), ou lorsque vous désirez réduire le souffle et le bruit de canaux qui n'ont pas de fréquences essentielles dans la bande au dessus de 10 kHz.

L'égalisation grave (LOW EQ) peut être accentuée pour rendre les basses plus graves, ou réduite pour minimiser les ronflements à basse fréquence ou les effets de proximité d'un microphone.



3. NIVEAU DE DEPART D'EFFETS (EFFECTS SEND LEVEL)

Cette commande détermine la quantité de signal de ce canal envoyée au circuit commun interne d'effets de mixage. Ce circuit commun d'effets alimente le jack de départ d'effets (EFFECTS SEND)—par la commande principale de départ d'effets (voir la section principale)—qui alimente normalement un dispositif d'écho ou de réverbération. Disposer de commandes de départ d'effets indépendantes sur chaque canal d'entrée signifie que le niveau d'effets appliqué au signal de chaque canal peut être réglable indépendamment.

Le signal envoyé au circuit commun d'effets est "après égaliseur/atténuateur", cela signifie que le signal est pris à partir d'un point qui se situe après l'égaliseur et le circuit de l'atténuateur.

4. COMMANDE PANORAMIQUE DE CONTRÔLE (MONITOR PAN CONTROL)

Une des caractéristiques les plus intéressantes du RM602 est son circuit commun de contrôle stéréo indépendant qui permet d'écouter un mélange stéréo des signaux du canal d'entrée ou de bande complètement

indépendants. La commande panoramique de contrôle détermine la position du signal de ce canal dans le champ sonore du circuit de contrôle stéréo. En tournant la commande panoramique complètement vers la gauche, on envoie le signal seulement au circuit commun de contrôle de gauche—cela signifie que vous entendrez le signal provenant seulement du haut-parleur de contrôle de gauche. Réciproquement, en tournant la commande complètement vers la droite, on envoie le signal au circuit commun de contrôle de droite seulement. En positionnant cette commande entre l'extrême gauche et l'extrême droite, on envoie une quantité de signal correspondante à chacun des circuits communs, permettant ainsi au signal d'apparaître à l'emplacement correspondant du champ sonore stéréo.

5. SELECTEUR DE CONTRÔLE POST/BANDE (CANAUX 1—4) SELECTEUR DE CONTRÔLE POST/STEREO GAUCHE (L) OU STEREO DROITE (R) (CANAUX 5 & 6)

Sur les canaux 1 à 4, ce sélecteur détermine si la source d'entrée du canal (POST) ou si le signal d'entrée de bande correspondant est envoyé au circuit commun de contrôle.

Sur les canaux 5 et 6, le choix est entre la source d'entrée du canal ou les signaux du circuit commun de mélange stéréo gauche (canal 5) ou droit (canal 6). Le fait que la position du signal du canal est identifiée par "POST" signifie que le signal du canal est dérivé à partir d'un point qui se situe après les étages de l'égaliseur et de l'atténuateur.

6. NIVEAU DE CONTRÔLE

Cette commande détermine la quantité de signal de ce canal (ou du signal de bande ou du circuit commun stéréo sélectionné) qui alimente le circuit commun de mélange de contrôle stéréo par la commande panoramique de contrôle dont nous avons parlé plus haut. Des commandes de niveau de contrôle indépendantes sur chaque canal permettent au mélange de contrôle d'être composé indépendamment des atténuateurs de canal d'entrée.

7. COMMANDE PANORAMIQUE (PAN)

Cette commande a le même effet que la commande panoramique de contrôle dont nous avons parlé plus haut, sauf que le signal du canal est affecté au circuit commun de programme principal qui alimente les sorties principales stéréo du mélangeur.

La fonction panoramique est une des fonctions les plus "banales" qu'une table de mixage stéréo peut exécuter, permettant la localisation acoustique de chaque instrument ou groupe d'instruments à n'importe quel emplacement désiré dans le champ sonore stéréo. Le son d'un instrument donné peut sembler provenir du haut-parleur de gauche, du haut-parleur de droite ou de n'importe quel endroit situé entre ces deux haut-parleurs. Ce réglage du signal de chaque canal d'entrée s'effectue en utilisant des "potentiomètres panoramiques". La position de ces potentiomètres panoramiques se rapporte directement à la position acoustique du signal du canal respectif: le potentiomètre panoramique tourné complètement dans le sens des aiguilles d'une montre produira un son provenant du haut-parleur du canal droit, le bouton tourné complètement dans le sens contraire des aiguilles d'une montre produira un son provenant du haut-parleur du canal gauche, le bouton réglé sur une position intermédiaire produira un son localisé en conséquence, c'est à dire en un point situé entre les haut-parleurs de gauche et de droite.

Les potentiomètres panoramique peuvent aussi être utilisés pour créer un effet de "glissement" d'un instrument de musique d'un côté de la "scène" sonore stéréo à l'autre.

Généralement, vous utiliserez les boutons panoramiques pour créer l'image acoustique désirée.

8. ATTENUATEUR D'ENTREE (INPUT FADER)

Les atténuateurs d'entrée sont les éléments qui fournissent la fonction effective de mixage sur une table de mixage. Ils permettent des réglages individuels de niveaux des six sources d'entrée afin de vous donner la possibilité d'obtenir le juste équilibre général entre les instruments, les voix ou tout autre source sonore que vous mixez.

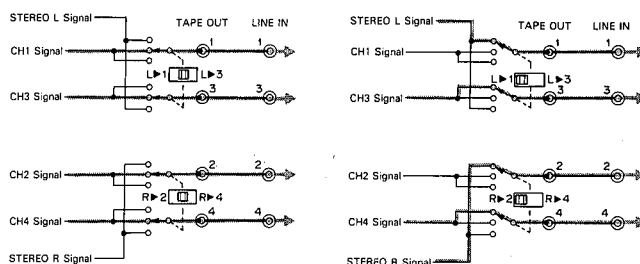
Ce sont les commandes que vous utiliserez le plus, et la façon dont vous les utiliserez pourra faire la différence entre un excellent son et un son médiocre. Le meilleur rapport signal sur bruit, le minimum de distorsion et la meilleure qualité sonore sont généralement obtenus en réglant approximativement les atténuateurs entre 1/3 et 3/4 de l'échelle d'atténuation. Les réglages d'atténuation trop haut ou trop bas doivent être évités en accroissant ou en réduisant le niveau de la source à chaque fois que cela est possible.

La plupart des claviers électroniques et des guitares électriques ont une commande de niveau de sortie, et le niveau de sortie du microphone peut être réglé en jouant sur la distance qui le sépare de la source sonore.

SECTION PRINCIPALE

9. COMMUTATEURS DE SORTIE DE BANDE (TAPE OUT)

Plutôt que de toujours avoir les canaux d'entrée 1 à 4 alimentant les prises de sortie de bande (TAPE OUT), ces commutateurs vous permettent d'envoyer le signal du circuit commun stéréo de gauche aux prises TAPE OUT 1 ou 3, et le signal du circuit commun stéréo de droite aux prises TAPE OUT 2 ou 4. Cela vous permet de recomposer le système pour mixer les canaux d'entrée en stéréo sur le magnétophone connecté aux prises TAPE OUT.



10. RETOUR D'EFFETS

La sortie du dispositif d'effets que vous utilisez (normalement écho ou réverbération, alimenté par le jack de départ d'effets (EFFECTS SEND)) est renvoyée au jack de retour d'effets (EFFECTS RETURN) et alimente le circuit commun de mixage stéréo par la commande de retour d'effets. En d'autres mots, cette commande détermine la quantité du signal traité extérieurement qui est remixé dans le programme stéréo principal.

11. ENTREE AUXILLIAIRE (AUX IN)

Le RM602 a une paire de bornes d'entrée auxiliaire (AUX IN) qui permettent de mixer un signal stéréo supplémentaire avec les sources présentes aux six canaux d'entrée. La commande AUX IN règle le niveau du signal AUX IN en relation avec le reste du programme. Ce que vous connectez aux bornes AUX IN dépend entièrement de votre utilisation spécifique, mais voici tout de même quelques exemples:

1. Vous pourriez connecter les sorties d'un magnétocassette aux bornes AUX IN et reproduire une bande de votre groupe préféré. Ensuite vous pouvez mixer votre propre instrument avec et jouez en suivant la musique; c'est une manière formidable de s'entraîner.
2. En utilisant la même connexion que dans l'exemple ci-dessus, le magnétocassette peut fournir une musique de fond pendant que vous mixez avec cette musique de fond des commentaires et/ou des effets spéciaux pour votre spectacle audio-visuel et enregistrer le programme mixé sur un second magnétophone.

3. Une autre possibilité d'utilisation de ce dispositif est de se servir de ces entrées auxiliaires en tant qu'entrées supplémentaires si les six canaux d'entrée principaux sont utilisés. Un clavier électronique ou une autre source de niveau ligne peuvent être connectés aux bornes AUX IN avec un adaptateur intermédiaire jack-broches RCA et mixés avec le reste du programme en utilisant la commande AUX. Vous n'avez, bien sûr, aucune commande de tonalité ou de possibilité panoramique, mais si vous le désirez les entrées supplémentaires sont disponibles.

12. NIVEAU PRINCIPAL DE DEPART D'EFFETS (EFFECTS SEND MASTER LEVEL)

Ces commandes règlent le niveau général du mélange d'effets—déterminé par la commande d'effets de chaque canal d'entrée—alimentant le jack de départ d'effets. Normalement, cette commande sera réglée de manière à fournir le niveau optimum d'entrée au dispositif d'effets que vous utilisez.

13. NIVEAU PRINCIPAL DE CONTRÔLE (MONITOR MASTER LEVEL)

Cette commande détermine le niveau général du mélange de contrôle—réglé par le niveau de contrôle et par les commandes panoramique de chaque canal d'entrée—alimentant les jacks de sortie de contrôle (MONITOR OUT) et le jack casque (PHONES). Utilisez la commande de contrôle principale pour obtenir un niveau d'écoute au casque agréable.

14. ATTENUATEURS PRINCIPAUX (MASTER FADERS)

Ces commandes règlent indépendamment le niveau de sortie général des circuits communs gauche et droit. Ces signaux arrivent aux prises de sortie stéréo gauche et droite (STEREO L OUT et STEREO R OUT).

15. INDICATEURS DE NIVEAU DE CRETE STEREO (STEREO PEAK LEVEL METER)

Dans la partie atténuateur d'entrée de ce manuel, nous avons parlé de l'importance d'un réglage correct des atténuateurs en vue d'obtenir la meilleure qualité sonore possible. Les indicateurs de niveau de crêtes à diodes du RM602 sont d'une aide très précieuse pour un réglage optimum des niveaux des atténuateurs.

Deux indicateurs sont fournis—un pour le canal de sortie de gauche et un pour le canal de sortie de droite. Chaque indicateur est constitué de 13 segments qui s'allument en séquence pour donner le niveau du signal de crête du canal correspondant. La plage d'affichage des indicateurs est de -20 dB à +8 dB. Les niveaux inférieurs 0 dB sont affichés en vert, les niveaux 0, +1 et +3 dB en orange, et les niveaux +5 et +8 dB en rouge. En regardant ces indicateurs vous pouvez facilement vous rendre compte quand les niveaux du signal sont trop élevés pour présenter un danger de distorsion—les signaux qui allument les diodes rouges ont beaucoup de chance de créer une distorsion. D'un autre côté, si les indicateurs n'indiquent presque jamais un niveau

atteignant 0 dB, cela signifie que votre niveau de programme général est trop bas. Une fois le niveau optimal de programme réglé, les crêtes de ce programme doivent faire clignoter occasionnellement des diodes oranges, et maintenir la majorité des diodes vertes allumés la plupart du temps. Cela s'applique surtout aux programmes musicaux ordinaires.

Certains types de programmes auront un effet complètement différent sur les indicateurs, nécessitant des réglages appropriés. En général il est recommandé d'éviter un nombre trop important de crêtes dans la partie rouge de ces indicateurs. Rappelez-vous aussi que quand il n'y a qu'un seul instrument qui joue le niveau peut paraître bas sur les indicateurs, mais quand les instruments connectés aux six entrées commencent à jouer ensemble, les niveaux de chaque instrument peuvent s'additionner et créer une distorsion. Il vous faut donc vérifier les indicateurs quand l'ensemble du programme est joué.

16. JACK CASQUE (HEADPHONE)

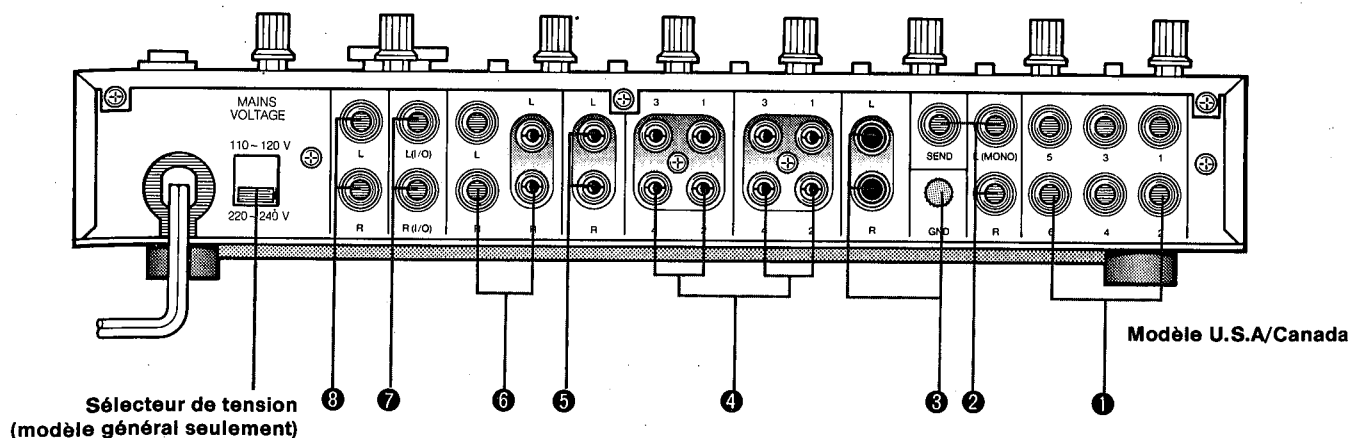
Ceci est un dispositif pratique qui vous permet de connecter un casque stéréo normalisé pour contrôler le son sans avoir besoin d'un amplificateur externe.

17. COMMUTATEUR D'ALIMENTATION (POWER)

Ceci est le commutateur d'alimentation. Quand l'alimentation est en circuit (ON), la position la plus basse de l'indicateur de niveau ("∞") s'allumera.

CONNEXIONS DU PANNEAU ARRIERE

PANNEAU ARRIERE



1. ENTREES DE CANAUX

Ces jacks sont les entrées principales des six canaux d'entrée du RM602. Ils acceptent à la fois les entrées à niveau ligne et les entrées microphone, selon le réglage du commutateur d'entrée respectif. Les jacks téléphoniques 1/4 pouce normalisés assurent une compatibilité avec pratiquement tous les genres d'instruments électroniques et de microphones.

2. DEPART ET RETOUR D'EFFETS (EFFECTS SEND AND RETURN)

La sortie du jack de départ d'effets (EFFECTS SEND) est connectée à l'entrée d'un dispositif de traitement du signal extérieur comme par exemple une unité de retard ou de réverbération (Le D1500 Yamaha est une splendide unité de retard numérique, tandis que le R1000 offre des effets de réverbération de haute qualité).

La sortie du dispositif de traitement du signal extérieur est alors renvoyée au jack de retour d'effets (EFFECTS RETURN) à partir duquel le mélange se fait avec le programme stéréo principal par la commande de niveau de retour d'effets (EFFECTS RETURN). Quand le signal de retour d'effets (EFFECTS RETURN) est reçu en stéréo, il est reçu par les bornes d'entrée gauche (L) et droite (R) du retour d'effets (EFFECTS RETURN); quand le signal est reçu en mono, il est reçu par la borne d'entrée L (gauche).

3. ENTREES DE L'AMPLIFICATEUR EGALISEUR PHONO ET BORNE DE PRISE DE TERRE (PHONO EQ AMP INPUTS AND GND TERMINAL)

Le RM602 comporte un amplificateur égaliseur phono incorporé qui donne la possibilité de connecter directement les sorties stéréo d'une table de lecture

conventionnelle à ces entrées; cela permet d'utiliser le signal de la table de lecture tout seul ou mixé avec les autres entrées. Les canaux gauche et droit de la table de lecture sont connectés aux canaux d'entrée 5 et 6 quand les sélecteurs d'entrée des canaux 5 et 6 sont réglés respectivement sur PHONO L (GAUCHE) et PHONO R (DROIT).

Assurez-vous de connecter le câble de prise de terre de la table de lecture à la borne de prise de terre. Quand la table de lecture n'est pas connectée à la borne de prise de terre, insérez une prise de court-circuit dans la borne PHONO.

4. ENTREES ET SORTIES BANDE (TAPE INPUTS AND OUTPUTS)

Quatre entrées et sorties sont prévues pour une connexion directe avec un magnétophone multipiste à 4 canaux—comme par exemple le MT44D ou MT44 Yamaha. Connectez les sorties du magnétophone aux prises TAPE IN du RM602 et les entrées du magnétophone aux prises TAPE OUT du RM602. Les entrées du magnétophone sont sélectionnées en vue du mixage ou du contrôle en réglant les sélecteurs d'entrée des canaux correspondants (canaux 1—4) sur TAPE. Les canaux d'entrée de 1 à 4 alimentent les prises TAPE OUT respectives.

Ces entrées et sorties spécifiques permettent au magnétophone de rester branché en permanence—à la différence de beaucoup d'autres tables de mixage coûteuses avec lesquelles vous avez besoin de connecter et reconnecter les câbles à chaque fois que vous effectuez un changement d'une entrée ligne à une magnétophone.

5. ENTREES AUXILLIAIRES (AUX INPUTS)

N'importe quel signal de niveau ligne stéréo (ou mono si nécessaire) peut être ajouté au programme principal grâce à ces bornes. Ces bornes sont parfaites pour connecter, par d'exemple, les sorties d'un magnétophone stéréo.

6. SORTIES STEREO (STEREO OUTPUTS)

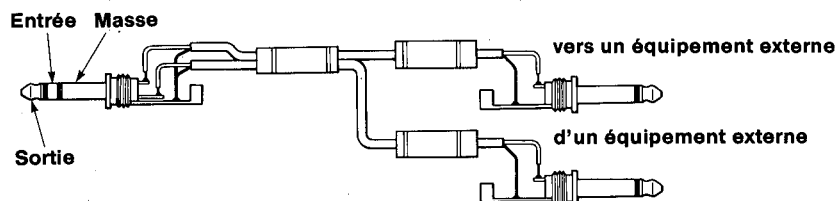
Ces sorties sont les sorties principales du RM602. Elles délivrent l'ensemble du programme stéréo déterminé sur les canaux d'entrée et les entrées AUX. Les bornes de sortie sont équipées de jacks téléphoniques 1/4 pouce normalisé et de prises à broche RCA.

7. INSERTION STEREO (STEREO INSERT)

Ceci est un jack téléphonique de type TRS, incorporant les lignes de départ et de retour d'insertion. Les points d'insertion (INSERT) STEREO L (GAUCHE) et STEREO R (DROIT) permettent d'insérer le signal externe d'un équipement de traitement indépendamment dans les circuits communs stéréo gauche et droit, avant les atténuateurs stéréo principaux. C'est l'endroit idéal pour insérer un égaliseur graphique, par exemple le GQ1031 Yamaha, pour une réponse très précise de l'ensemble du programme stéréo. Les jacks TRS sont câblés comme indiqué ci-dessous.

8. SORTIES DE CONTRÔLE (MONITOR OUTPUTS)

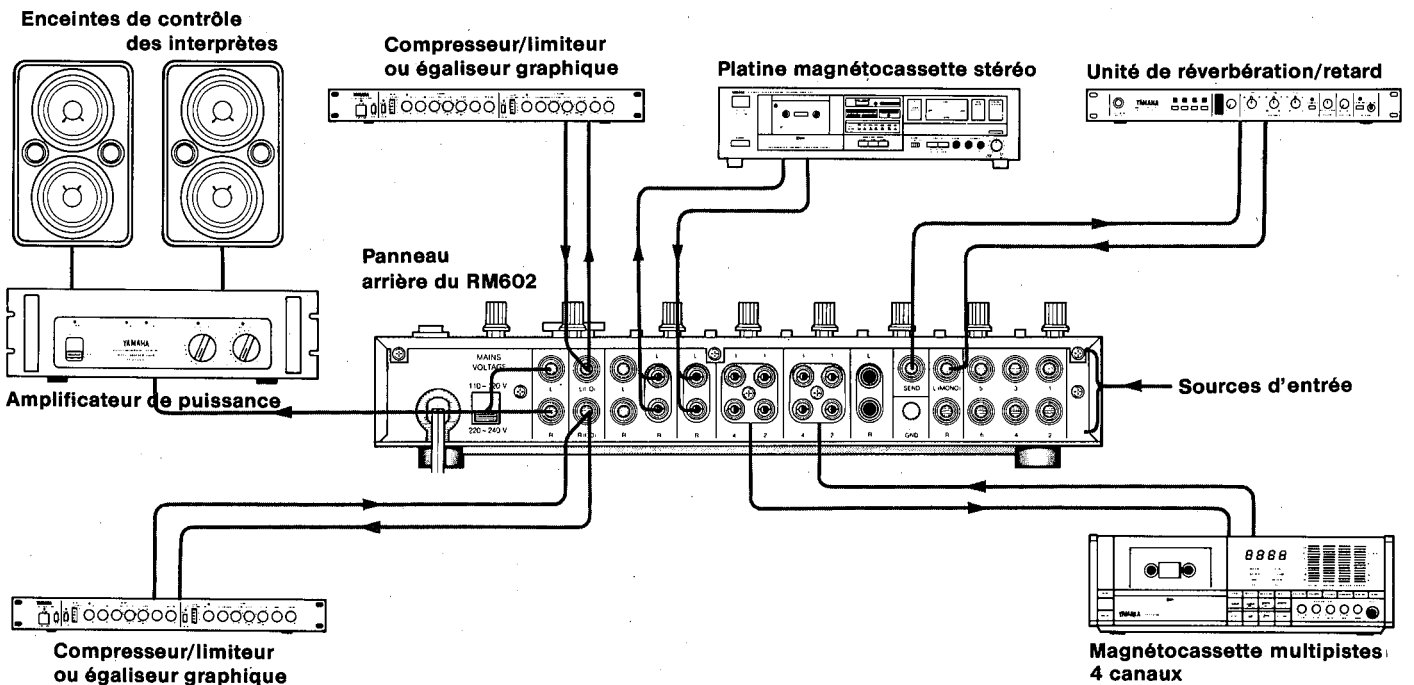
Ce sont les sortie de lignes d'un circuit commun moniteur stéréo. Ces sorties peuvent être connectées à un amplificateur stéréo et à un système de haut-parleurs de contrôle, ou directement à une paire de haut-parleurs de contrôle, comme par exemple les MS10 Yamaha.



EXEMPLES D'UTILISATION

1. Vérifiez un arrangement musical original ou faites des bandes de démonstration de première qualité avec le RM602 et un enregistreur multipiste à 4 canaux (et vous pouvez jouer tous les instruments vous-même).
Le magnétocassette multipiste à 4 pistes compagnon idéal du RM602 est le MT44D Yamaha. Le RM602 et le MT44D peuvent tout deux être avantageusement placés dans le chassis RB35B, qui comporte une baie de répartition incorporée.
2. Le RM602 constitue une table de mixage pour claviers électroniques de première qualité pour les concerts.
Vous pouvez contrôler l'équilibre et le son de votre clavier avant d'envoyer le signal au mélangeur de sonorisation.
3. Le RM602 offre une grande flexibilité de mixage pour des répétitions ou de petits concerts.
4. Si vous êtes un "vidéophile" vous avez besoin d'un bon système de mixage à fonctions multiples pour le travail de post-production, comme, par exemple, l'addition d'un fond sonore, de commentaires ou d'effets spéciaux.
Là encore, le RM602 est idéal.

■ EXEMPLES: SYSTEME D'ENREGISTREMENT



■ SYSTEME D'ENREGISTREMENT MULTIPISTE

DE QUOI AVEZ VOUS BESOIN?

A la base, tout ce dont vous avez besoin pour un enregistrement multipistes se résume à: vos instruments de musique, une paire de bons microphones (si vous enregistrez des parties vocales ou des instruments acoustiques), un enregistreur multipiste à 4 canaux comme le MT44D Yamaha, un RM602 et un casque. Avec ce système très simple vous pouvez créer des enregistrements d'une complexité surprenante avec votre groupe ou tout seul. Le terme "magnétophone 4 pistes" semble impliquer que vous ne pouvez enregistrer que 4 parties distinctes, alors qu'en fait vous pouvez en enregistrer jusqu'à 10 parties en vous servant de la technique connue sous le nom de "ping-ponging" (enregistrement combiné en changeant de piste). (Pour des détails à ce sujet et à propos d'autres techniques d'enregistrement, référez vous au guide multipiste Yamaha). Il n'y a pas de meilleur moyen de "polir" vos compositions, vos arrangements musicaux, votre technique instrumentale, et d'obtenir des bandes de démonstration de haute qualité. Pour faire des bandes de démonstration vous aurez besoin d'une platine magnétocassette stéréo normale pour "réduire" en stéréo les 4 pistes de la bande "mère".

PLUS D'INSTRUMENTS POUR UNE PLUS GRANDE SOUPLESSE DE CREATION

Une fois que vous aurez pris l'habitude de votre système multipistes, vous vous rendrez compte que plus vous avez d'instruments disponibles, et plus vous aurez de possibilités de création. Cela vous permet de créer plus de diversité dans la texture musicale et aussi d'intéressantes combinaisons sonore (pouvez-vous imaginer 10 pistes de guitare? Intéressant en premier lieu mais cela risquerait de devenir un peu fatigant à la longue). Un instrument sans limites dans ce sens est le synthétiseur. Avec une partie musicale soigneusement préparée, le synthétiseur pouvant produire des timbres très variés et très riches, vous pourrez créer ainsi une complète composition musicale qui sera loin d'être ennuyeuse.

Yamaha offre une gamme très diversifiée de synthétiseurs idéaux pour ce genre de besoin—cette gamme va du petit synthétiseur monophonique CS01-II jusqu'au synthétiseur professionnel numérique à programmation algorithmique de la gamme DX.

La section rythmique est un autre problème que la plupart des personnes enregistrant en multipistes rencontrent tôt ou tard. A moins que vous ne soyez un batteur, il est pratiquement impossible d'acheter ou d'emprunter une batterie pour votre "studio d'enregistrement". Une fois de plus, Yamaha est là pour vous offrir la solution: les programmeurs de rythme numériques de la nouvelle gamme RX.

Ce sont des machines à rythmes qui ne se contentent pas d'avoir la même sonorité que les vrais instruments (le son est enregistré numériquement), mais offrent une programmation très diversifiée ainsi que la compatibilité MIDI (Music Instrument Digital Interface).

DES POSSIBILITES SUPPLEMENTAIRES DE CONTROLE

Avec un peu d'expérience vos enregistrements prendront un aspect professionnel, et vous vous rendrez certainement compte que vous avez besoin d'autres moyens de contrôle que le casque fourni. A ce moment-là, vous devriez essayer les haut-parleurs de contrôle de la gamme producteur Yamaha MS10 pour sentir la différence. Ces haut-parleurs compacts ont pour caractéristiques un amplificateur incorporé de 20 W et des commandes pour le volume, grave et l'aigu en façade.

Bien sûr, si vous voulez aller jusqu'au bout vous pouvez utiliser un amplificateur stéréo de haute qualité et des haut-parleurs de contrôle.

Yamaha vous offre un choix exceptionnel.

ENCORE PLUS A VENIR

La gamme des produits Yamaha spécialement conçue pour les petits studios d'enregistrement est en pleine expansion. De plus en plus de produits, qui vous aideront à faire des enregistrements de qualité professionnelle, seront disponibles dans un futur proche.

CARACTERISTIQUES

Réponse en fréquence (a 10 k-ohms, niveau nominal)	20 Hz—20 kHz (+1, -2 dB)
Distortion harmonique totale (20 Hz—10 kHz, 10 k-ohms, +10 dB)	moins de 0,05%
Niveau de bruit* (20 Hz—20 kHz, entrée en court circuit, sélecteur d'entrée (INPUT SELECT) "-50")	
Bruit d'entrée équivalent	-122 dB
Bruit résiduel (départ d'effets spéciaux/sortie stéréo) (STEREO OUT EFFECTS SEND)	-101 dB
Sortie stéréo (STEREO OUT) (Atténuateur principal: nominal. Tous les atténuateurs de canaux: minimum)	- 89 dB
Sortie de contrôle (MONITOR OUT) (Volume de contrôle: nominal. Volumes de tous les contrôles de canaux: minimum)	- 79 dB
Départ d'effets (EFFECTS SEND) (Volume départ d'effets: nominal. Volume des effets de tous les canaux: minimum)	- 89 dB
Niveau de sortie maximum (10 k-ohms, DHT 0,2%, 20 Hz—20 kHz)	+ 17,5 dB
Gain de tension maximum	
Entrée canal à sortie stéréo	52 dB
Entrée canal à sortie de contrôle	68 dB
Entrée canal à départ d'effets	58 dB
Entrée canal à sortie bande	46 dB
Entrée canal à sortie insertion stéréo	46 dB
Entrée bande à sortie stéréo	12 dB
Entrée bande à sortie de contrôle	22 dB
Entrée AUX à sortie stéréo	16 dB
Retour d'effets à sortie stéréo	16 dB
Entrée insertion stéréo à sortie stéréo	6 dB
Diaphonie (1 kHz)	
Canal d'entrée à canal d'entrée	- 60 dB
Canal d'entrée à canal de sortie	- 60 dB
Caractéristiques de l'égaliseur	
Egaliseur aigu (10 kHz en pente)	± 15 dB
Egaliseur grave (100 Hz en pente)	± 15 dB
Alimentation	
(UL, U.S.A)	CA 120 V, 60 Hz
(Général)	CA 110 V, 120, 220, 240 V 50/60 Hz
Consommation	15 W
Dimensions (L × H × P)	340 × 73 × 325 mm
Poids	3,2 kg

*Caractéristiques modifiables sans préavis.
*Mesuré avec un filtre passe-bas - 6 dB/octave 12,7 kHz.
0 dB = 0,775 V efficace*

■ ENTREES

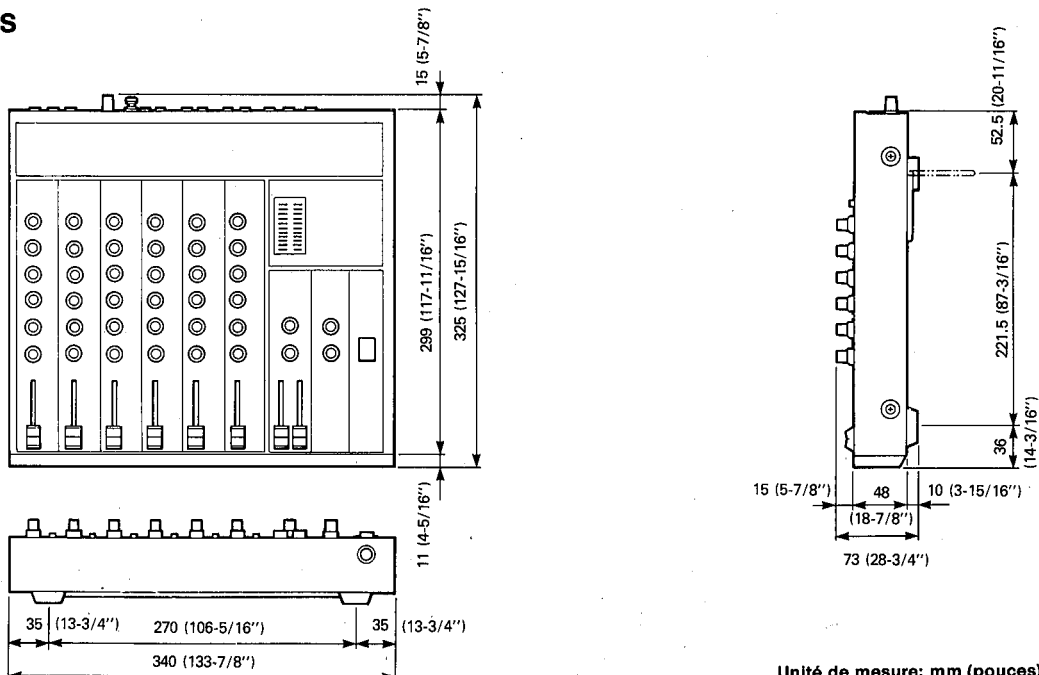
Prises d'entrée	Sélecteur d'entrée	Impédance d'entrée	Impédance de la source	Sensibilité (Gain maximum)	Niveau d'entrée		Connecteur
					Niveau nominal	Niveau max. sans écrêtage	
CH INPUT CH1 - CH6	- 50 dB	20 k-ohms	Microphone 50 - 250 ohms ou lignes 600 ohms	- 62 dB (0,62 mV)	- 50 dB (2,5 mV)	- 22,5 dB (58,1 mV)	Jack téléphonique
	- 35 dB			- 47 dB (3,5 mV)	- 35 dB (13,8 mV)	- 7,5 dB (327 mV)	
	- 20 dB			- 32 dB (19,5 mV)	- 20 dB (77,5 mV)	+ 7,5 dB (1,84 V)	
TAPE IN CH1 - CH4		10 k-ohms	Platine magnétophone	- 22 dB (61,5 mV)	- 10 dB (245 mV)	+ 17,5 dB (5,81 V)	Prise à broches
PHONO IN CH5, CH6		47 k-ohms	Table de lecture	- 62 dB (0,62 mV)	- 50 dB (2,5 mV)	- 22,5 dB (58,1 mV)	Prise à broches
AUX IN (L, R)		10 k-ohms	Lignes 600 ohms	- 26 dB (38,8 mV)	- 20 dB (77,5 mV)	+ 20,0 dB (7,75 V)	Prise à broches
EFFECTS RETURN (L, R)		10 k-ohms	Lignes 600 ohms	- 26 dB (38,8 mV)	- 20 dB (77,5 mV)	+ 20,0 dB (7,75 V)	Jack téléphonique
ST INSERT IN (L, R)		10 k-ohms	Lignes 600 ohms	- 16 dB (123 mV)	- 10 dB (245 mV)	+ 20,0 dB (7,75 V)	Jack téléphonique (TRS)

■ SORTIES

Bornes de sortie	Impédance de sortie	Impédance de charge	Niveau de sortie		Connecteur
			Niveau nominal	Niveau max sans écrêtage	
Sortie stéréo (G, D)	330 ohms	Lignes 10 k-ohms	- 10 dB (245 mV)	+ 17,5 dB (5,8 V)	Jack téléphonique et prise à broches
Sortie de contrôle (G, D)	330 ohms	Lignes 10 k-ohms	0 dB (775 mV)	+ 17,5 dB (5,8 V)	Jack téléphonique
Départ d'effets	330 ohms	Lignes 10 k-ohms	- 10 dB (245 mV)	+ 17,5 dB (5,8 V)	Jack téléphonique
Sortie magnétocassette (1 - 4)	330 ohms	Lignes 10 k-ohms	- 10 dB (245 mV)	+ 17,5 dB (5,8 V)	Prise à broches
Sortie insertion stéréo (G, D)	330 ohms	Lignes 10 k-ohms	- 10 dB (245 mV)	+ 17,5 dB (5,8 V)	Jack téléphonique (TRS)
Casque	100 ohms	Casque 8 ohms	- 22 dB (61,6 mV)	- 4,5 dB (462 mV)	Jack téléphonique stéréo

*La sensibilité est le niveau le plus bas produisant une sortie de - 10 dB.
0 dB = 0,775 V efficace
Toutes les entrées et les sorties sont asymétriques.

■ DIMENSIONS



Unité de mesure: mm (pouces)

SCHEMA SIMPLIFIE

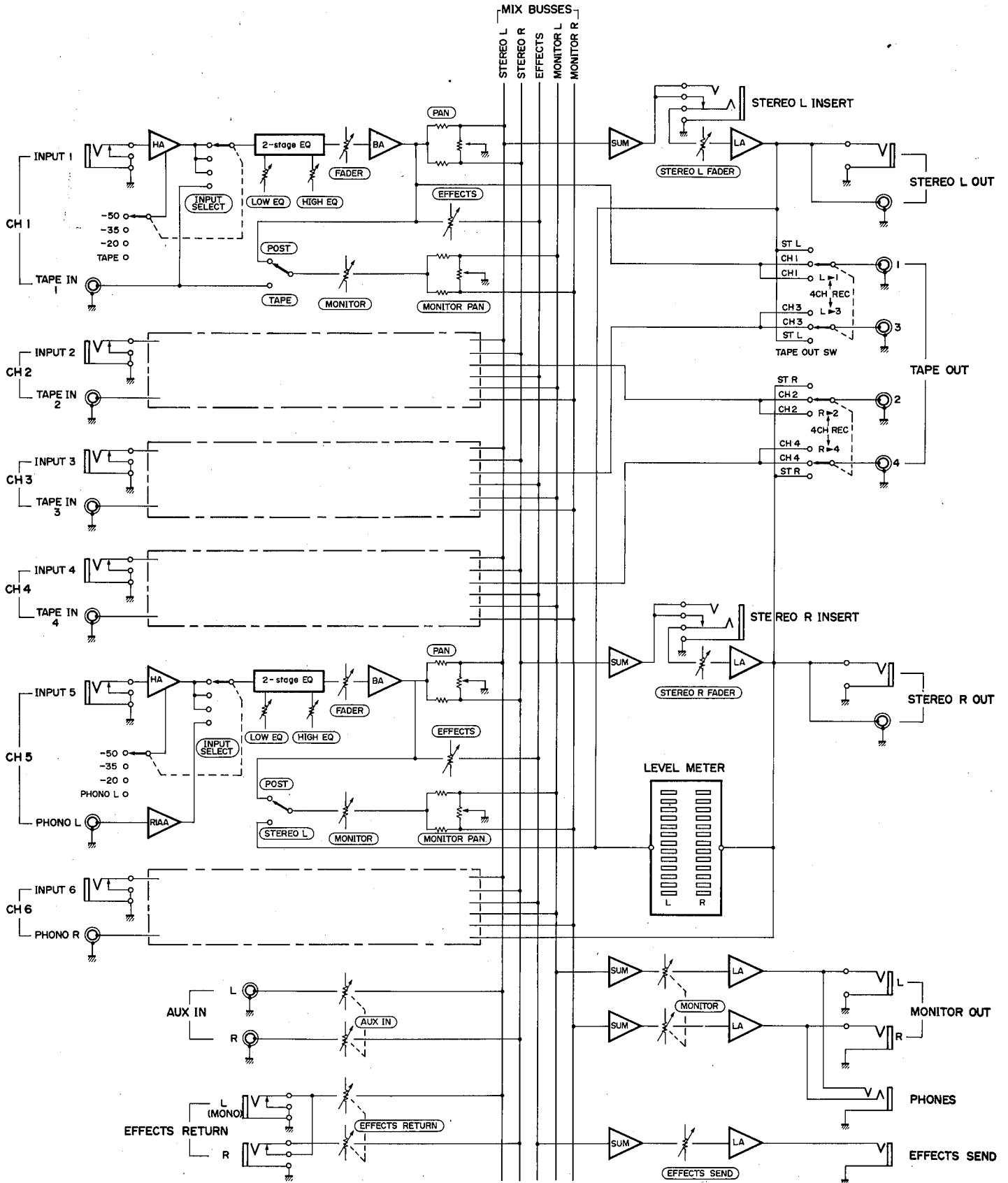
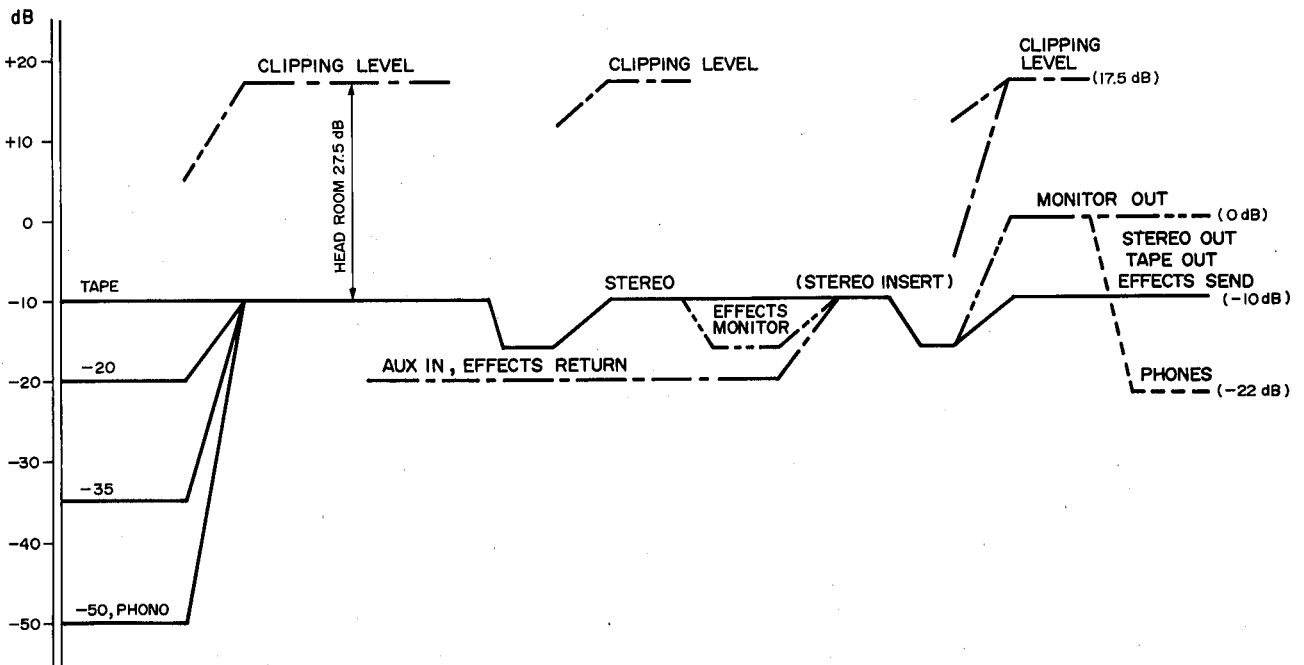
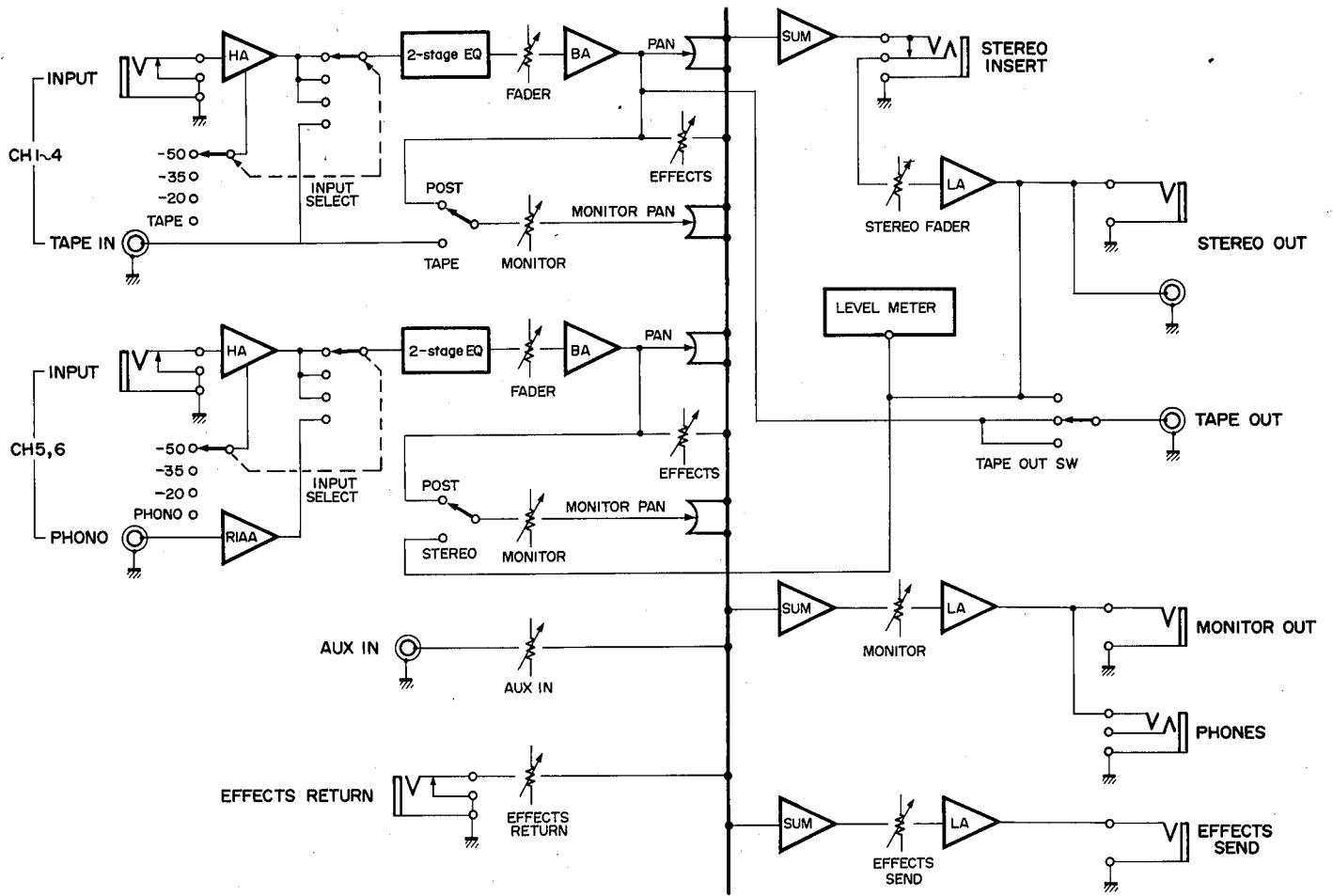


DIAGRAMME DE NIVEAU



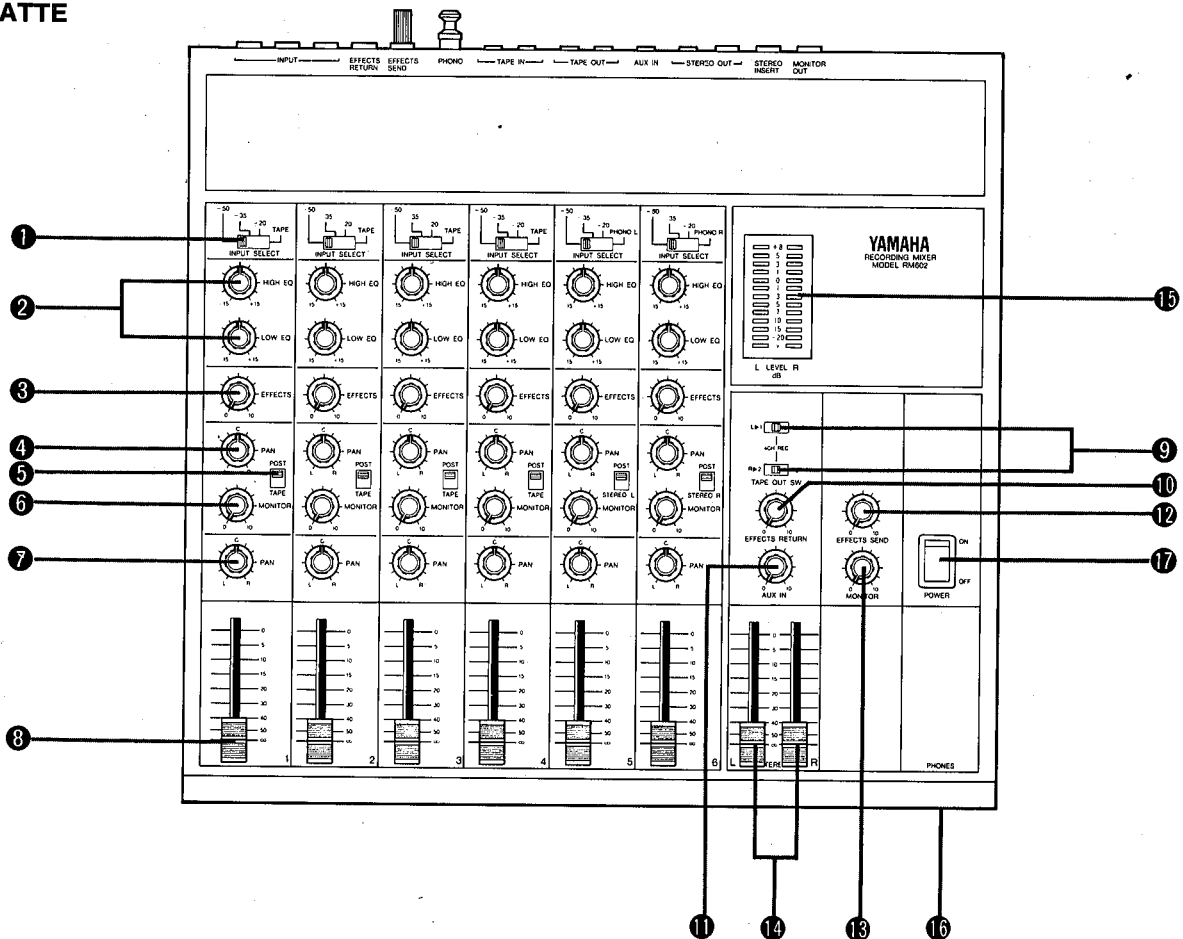
Vielen Dank, daß Sie sich für den Kauf des Yamaha RM602 Aufnahme-Mischpults entschlossen haben. Das RM602 ist eine kompakte Mischkonsole mit 6 Eingängen und 2 Ausgängen und bietet ausgezeichnete Klangqualität zusammen mit einer Vielzahl an Funktionen. Das RM602 ist speziell für den Einsatz in Mini-Studios vorgesehen. Damit Sie die volle Leistungsfähigkeit des Geräts durch Einsatz aller möglichen Funktionen auch voll ausschöpfen können, sollten Sie sich diese Bedienungsanleitung gut durchlesen, um mit dem Gerät vertraut zu werden.

VORSICHTSMASSNAHMEN

- Beim Vornehmen von Ein- bzw. Ausgangsanschlüssen müssen alle Überblendregler auf kleinste Einstellung gestellt sein.
- Das RM602 darf weder direkter Sonneneinstrahlung ausgesetzt, noch in der Nähe von Wärmequellen wie z.B. Heizkörpern aufgestellt werden.
- Durch Entfernen von Gehäuseabdeckungen oder Eingriffe in die Schaltwege im Geräteinnern kann das RM602 irreparabel beschädigt werden.
- Es muß darauf geachtet werden, daß das Gerät, weder stürzen kann, noch anderen Arten starker Schläge ausgesetzt wird, da dies zu einer Beschädigung des Geräts führen kann.
- Das RM602 darf unter keinen Umständen mit Benzin oder anderen Lösungsmitteln gereinigt werden, da dies zu Entfärbung oder Beschädigung des Gehäuses führt.

BEDIENUNGSELEMENTE UND FUNKTIONEN

FRONTPLATTE



EINGANGSTEIL

1. EINGANGSWÄHLER (INPUT SELECT)

Dieser Eingangswähler mit vier Positionen dient der Einstellung der Eingangsempfindlichkeit auf -50 , -35 oder -20 dB. Die vierte Position ist bei den Kanälen 1 bis 4 mit "TAPE" (Tonband) gekennzeichnet, während die Kanäle 5 und 6 mit der Einstellung "PHONO L" bzw. "PHONO R" versehen sind. Wenn bei den Eingängen 1 bis 4 auf TAPE gestellt ist, wird der entsprechende Tonband-Eingang (TAPE IN, siehe Geräterückwand) angewählt und nicht der eigentliche Kanaleingang. Mit der Einstellung PHONO bei den Eingängen 5 und 6 wird der entsprechende PHONO-Eingangskanal (L bzw. R) angewählt.

Über die Empfindlichkeits-Einstellungen $-50/-35/-20$ dB läßt sich die Eingangsempfindlichkeit der einzelnen Eingangskanäle auf die Tonquelle abstimmen—z.B. Mikrophon, elektronische Musikinstrumente oder Line-Eingangsquellen. Hierdurch wird der Anschluß fast jeder erdenklichen Eingangsquelle an jeden Eingangskanal ermöglicht, ohne daß die Gefahr besteht, die Elektronik des Mischpults zu überlasten. Die meisten Mikrophone—insbesondere dynamische—lassen sich am besten in der Einstellung -50 dB einsetzen. Für

einige hochpegelige Kondensator- und Elektret-Mikrophone mag die Einstellung auf -35 dB erforderlich sein. -35 dB ist ideal für direkte Eingänge von elektrischen Gitarren und Baßgitarren. Die Position -20 dB ist die Normalpegel-Einstellung und eignet sich für die meisten Line-Eingangsquellen: einige Synthesizer und elektronische Keyboards, sowie die meisten normalen Audio-Quellen (Tonband/Cassettengeräte usw.).

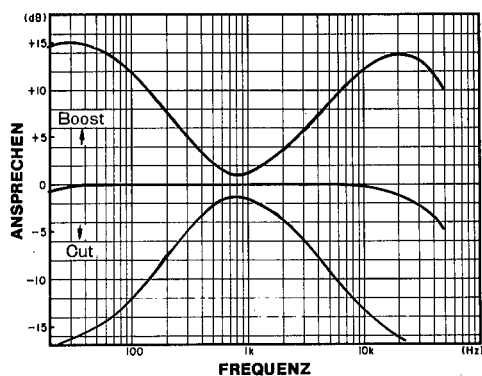
Die Position TAPE (Tonband) der ersten vier Kanäle ermöglicht die sofortige Umschaltung von den Eingängen (INPUT 1 bis 4) zu den Ausgängen eines 4-Spur-Mehrkanalrekorders ohne umständliches Umstöpseln von Anschlußkabeln. Dies ist besonders dann hilfreich, wenn 4-spurig aufgezeichnetes Material zu normalem Stereoformat heruntergemischt werden soll. Die Positionen PHONO L und PHONO R der Eingangswähler 5 und 6 leiten die Ausgänge vom eingebauten Phono-Entzerrerverstärker (siehe Geräterückseite) zu Kanälen 5 und 6, wobei volle Steuerung der Signale mit den Reglern des jeweiligen Kanals gewährleistet ist.

2. Entzerrer-Regler (HIGH EQ und LOW EQ)

Die Entzerrer-Regler (HIGH EQ und LOW EQ) ermöglichen eine gewisse Klangregelung des Tons für die einzelnen Eingangskanäle. Der Regler HIGH EQ sorgt hierbei für eine Verstärkung bzw. Verminderung um 15 dB im Frequenzbereich oberhalb 10 kHz, während der Regler LOW EQ eine Verstärkung bzw. Verminderung um denselben Wert unterhalb 100 Hz ermöglicht.

Mit dem Regler HIGH EQ lassen sich die höheren Frequenzlagen bestimmter Musikinstrumente—z.B. Becken—hervorheben, während man bei Eingangsquellen ohne Frequenzgehalt oberhalb von 10 kHz Bandrauschen vermindern kann.

Mit dem Regler LOW EQ lassen sich Bässe betonen, bzw. Rumpeln oder Mikrofoneinflüsse auf ein Mindestmaß herabsetzen.



3. EFFEKTE-PEGELREGLER (EFFECTS)

Mit diesem Regler wird die Signalmenge bestimmt, die vom jeweiligen Kanal zum internen Misch-Effektebus geschickt wird. Dieser Effektebus wiederum gibt sein Signal über den Effekte-Ausgangspegelregler (siehe HAUPTTEIL) an die rückseitige Effekte-Ausgangsbuchse (EFFECTS SEND) ab, wo normalerweise ein externes Echo- bzw. Nachhallgerät angeschlossen ist. Da jeder Kanal mit einem eigenen Effekte-Regler ausgerüstet ist, kann unabhängig bestimmt werden, wie stark die einzelnen Signale von den Effekten beeinflusst werden sollen.

Das zum Effektebus geschickte Signal ist "post EQ/FADER", d.h. es wird von einem Punkt des Signalwegs abgenommen, der hinter der Entzerrer- bzw. Überblendschaltung liegt.

4. KONTROLL-PANORAMAREGLER (PAN)

Eines der attraktiveren Merkmale des RM602 sind die separaten Stereo-Kontrollbusse, mit denen es möglich ist, die jeweiligen Stereo-Zuweisungen der einzelnen Eingangskanäle oder Tonbandsignale individuell abzuhören. Der Panoramaregler bestimmt hierbei die Zuweisung der Signale im Stereo-Schallfeld. Durch Drehen des Reglers ganz nach links wird das Signal nur zum linken Kontrollbus geschickt, also nur vom linken Kontrolllautsprecher zu hören sein. Wird der Regler ganz nach rechts gedreht, gelangt das Signal nur zum rechten Kontrollbus. Einstellungen des Panoramareglers

zwischen diesen beiden Extremen haben also zur Folge, daß eine der jeweiligen Einstellung entsprechende Signalmenge zu beiden Kontrollbussen geschickt wird, wodurch der Ton in der betreffenden Position innerhalb des Stereo-Schallfelds erscheint.

5. SIGNAL-ABHÖRWÄHLER (POST/TAPE für Kanäle 1 bis 4; POST/STEREO L bzw. STEREO R für Kanäle 5 und 6)

Bei Kanälen 1 bis 4 bestimmt dieser Wahlschalter, ob die Kanal-Eingangsquelle (POST) oder das dazugehörige Tonband-Signal (TAPE) zum Kontrollbus geschickt wird. Bei Kanälen 5 und 6 wird zwischen der Eingangsquelle und dem linken (Kanal 5) bzw. rechten (Kanal 6) Stereo-Mischbussignal gewählt. Die Einstellung auf Kanal-Eingangssignal ist mit POST (nach) gekennzeichnet, was bedeutet, daß das Signal von einem Punkt hinter den Entzerrer- und Überblendstufen abgenommen wird.

6. KONTROLLPEGELREGLER (MONITOR)

Mit diesem Regler wird die Menge des Signals (bzw. des gewählten Tonband- oder Stereobus-Signals) bestimmt, die über den oben bereits behandelten Kontroll-Panoramaregler zum Stereo-Kontroll-Mischbus geschickt wird. Da es für jeden Kanal einen Kontrollpegelregler gibt, lassen sich unabhängig von den Eingangskanal-Überblendreglern Kontrollzusammenschaltungen erstellen.

7. PANORAMAREGLER (PAN)

Dieser Regler funktioniert wie der Kontroll-Panoramaregler, nur wird hier das Signal des Kanals über den Hauptbus panoramiert, der wiederum die Haupt-Stereoausgänge des Mischpults mit Signalen versorgt.

Die Panoramierung ist eine der "herkömmlichen" Funktionen einer Stereo-Mischvorrichtung und ermöglicht die akustische Platzierung der einzelnen Instrumente bzw. Instrumentgruppen an einer beliebigen Position des Stereo-Schallfelds. Das heißt, der Ton eines bestimmten Instruments kann innerhalb des Schallfelds so verlagert werden, daß er vom linken Lautsprecher, rechten Lautsprecher, oder einer beliebigen Stelle dazwischen zu kommen scheint. Die Positionierung der von den einzelnen Eingangskanälen kommenden Signale wird mit sogenannten "Pan Pots" (Panoramareglern) durchgeführt. Die Position der Pan Pots bezieht sich hierbei direkt auf die akustische Platzierung des dazugehörigen Kanals: Pan Pot ganz nach rechts bedeutet, daß der Ton vom rechten Lautsprecher kommt; ganz nach links bedeutet, daß er vom linken Lautsprecher kommt, und bei Pan Pot Einstellungen dazwischen scheint der Ton von einem Punkt zwischen den Lautsprechern zu kommen, der in etwa mit der Einstellung übereinstimmt.

Die Pan Pots können auch verwendet werden, um Instrumente von einer Seite des Schallfelds zur anderen "gleiten" zu lassen.

Die Pan Pots werden also hauptsächlich gebraucht, um das gewünschte Klangbild zusammenzustellen.

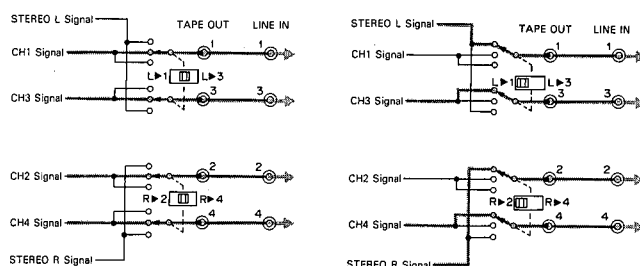
8. EINGANGS-ÜBERBLENDREGLER

Mit den Eingangs-Überblendreglern wird der eigentliche "Mischvorgang" durchgeführt. Die Regler ermöglichen die individuelle Einstellung der Pegel aller sechs Eingangsquellen und erlauben die exakte Einmischung der Gesamtbalance zwischen Instrumentstimmen, Singstimmen und beliebigen anderen Tonquellen. Es sind diese Regler, die wohl am meisten gebraucht werden, deren Einsatz die meiste Erfahrung verlangt und deren Einstellung meist erst den Unterschied zwischen gutem Sound und Tonsalat macht. Optimale Werte für Rauschabstand und Verzerrung werden meist bei Einstellungen zwischen 1/3 und 3/4 der Überblendskala erhalten. Zu hohe oder zu geringe Einstellungen sollten durch Anheben bzw. Absenken des Quellenpegels nach Möglichkeit vermieden werden. Die meisten elektronischen Keyboards und elektrischen Gitarren sind hierfür mit einem Ausgangspegelregler versehen. Der Mikrofonpegel kann durch Verkürzen bzw. Verlängern des Abstands zum Mikrofon verändert werden.

HAUPTTEIL

9. TONBANDAUSGANG-SCHALTER (TAPE OUT SW)

Anstatt immer Kanäle 1 bis 4 ihren dazugehörigen Tonbandausgang (TAPE OUT) mit Signalen versorgen zu lassen, kann man mit Hilfe dieser Schalter das linke Stereobus-Signal zum Tonbandausgang 1 oder 3 (TAPE OUT 1 oder 3) bzw. das rechte Stereobus-Signal zum Tonbandausgang 2 oder 4 (TAPE OUT 2 oder 4) leiten. Hierdurch wird das Zusammenmischen aller Systemsignale zu Stereo und die Aufzeichnung des Stereosignals auf einen an TAPE OUT angeschlossenen Rekorder ermöglicht.



10. EFFEKTE-EINGANGSREGLER (EFFECTS RETURN)

Der Ausgang des verwendeten Effektgeräts (normalerweise Echo- oder Nachhallgerät mit Signalversorgung über den Effekte-Ausgang) wird in die Effekte-Eingangsbuchse (EFFECTS RETURN) geleitet und von dort über den Effekte-Eingangsregler (EFFECTS RETURN) zum Stereo-Mischbus geschickt. Mit diesem Regler wird also bestimmt, wieviel des extern verarbeiteten Signals wieder in das Stereo-Hauptsignal eingemischt wird.

11. REGLER FÜR ZUSATZGERÄTEEINGANG (AUX IN)

Das RM602 ist mit einem Paar Eingangsbuchsen für Zusatzgeräte (AUX IN) versehen, die es ermöglichen, zusätzlich zu den 6 vorhandenen Eingangskanälen eine weitere Eingangsquelle zuzumischen. Der AUX IN Regler bestimmt hierbei den Pegel der Quelle im Verhältnis zum Rest des Programms. Was Sie an die AUX IN Buchsen anschließen, ist beliebig und hängt völlig von individuellen Gesichtspunkten ab. Hier einige Beispiele:

1. Sie können zum Beispiel die Ausgänge eines Stereo-Cassettendecks anschließen und eine Cassette Ihrer Lieblingsgruppe wiedergeben. Sie können danach Ihr eigenes Instrument dazumischen und mitspielen. Eine großartige Möglichkeit zu üben.
2. Mit dem in 1. gegebenen Anschluß kann die Cassette für Hintergrundmusik sorgen, während Sie kommentieren, erzählen oder Klangeffekte für Audio/Video-Vorführungen dazumischen. Das Ganze läßt sich dann auf ein zweites Cassettendeck aufzeichnen.

3. Eine andere Möglichkeit ergibt sich, wenn alle sechs Eingänge belegt sind und ein weiterer Anschluß erforderlich ist. In diesem Fall läßt sich z.B. ein Keyboard oder eine normale Eingangsquelle über ein Klinkenstecker-zu-Cinchstecker-Adapterkabel an die AUX IN Buchsen anschließen, und über den AUX IN Regler mit dem Rest der Eingangsquellen mischen. Natürlich ist hierbei keine Klang- oder Panoramaregelung möglich, der Anschluß wäre ja auch nur eine Notlösung.

12. EFFEKTEAUSGANG-HAUPTREGLER (EFFECTS SEND)

Mit diesem Regler wird der Gesamtpegel des Effekte-Mischsignals—zusammengestellt über die Effekteregler der einzelnen Kanäle—bestimmt, und zu den Effekte-Ausgangsbuchsen geschickt. Normalerweise wird dieser Regler verwendet, um den Ausgangspegel optimal auf das verwendete Effektgerät einzustellen.

13. KONTROLL-HAUPTPEGELREGLER (MONITOR)

Mit diesem Regler läßt sich der Gesamtpegel des Kontroll-Mischsignals—zusammengestellt über die Kontroll- (MONITOR) und Panoramaregler (PAN) der einzelnen Kanäle—für die Abgabe an den Kontroll-Ausgang (MONITOR) bzw. Kopfhörerausgang (PHONES) einregeln. Verwenden Sie den Kontroll-Hauptpegelregler für die Einstellung der optimalen Kopfhörer-Mithörlautstärke.

14. HAUPT-ÜBERBLENDREGLER

Mit diesen Reglern wird der Gesamtausgangspegel des vom linken bzw. rechten Stereobus kommenden Signals eingestellt. Die Signale werden an den Stereo-Ausgangsbuchsen (STEREO L OUT und STEREO R OUT) abgegeben.

15. STEREO-SPITZENZÄHLER

Im Abschnitt über die Eingangs-Überblendregler wurde bereits erwähnt, wie wichtig die richtige Einstellung der Überblendregler für guten Ton ist. Die LED-Spitzenzähler des RM602 sind eine große Hilfe bei der Einstellung der optimalen Überblendpegel.

Es gibt jeweils einen Zähler für den linken und rechten Kanal. Jeder Zähler besteht aus 13 LED-Abstufungen, deren Aufleuchten den Spitzenpegel des jeweiligen Kanals angibt. Die Zähleranzeigen decken jeweils den Bereich von -20 dB bis $+8$ dB ab. Pegel unterhalb 0 dB werden durch grüne LEDs bezeichnet, Pegel 0 , $+1$ und $+3$ dB durch orangefarbene, und Pegel $+5$ und $+8$ dB durch rote. Wenn man die Spitzenzähler bei den Einstellungen im Auge behält, läßt sich leicht feststellen, welche Signalpegel hoch genug sind, um Verzerrungen zu verursachen. Signale, bei denen die roten LEDs aufleuchten, führen in den meisten Fällen zu Verzerrungen. Wenn die Signalpegel jedoch andererseits nie die 0 dB Grenze überschreiten, so ist der Gesamtsignalpegel zu gering. Normalerweise sind die Pegel dann optimal eingestellt, wenn die orangefarbenen LEDs von Zeit zu Zeit aufflackern und fast alle grünen LEDs fortlaufend leuchten. Diese Faustregel ist jedoch nur bei durchschnittlichen Musikprogrammen anwendbar. Bei einigen Arten von Musik werden die Spitzenzähler ein völlig anderes Bild zeigen, wobei wiederum andere Einstellungen erforderlich werden. Es ist auf jeden Fall zu empfehlen, zu viele Spitzen im roten Bereich zu vermeiden. Außerdem gilt, daß die einzelnen Instrumente jeweils gute Spitzen aufweisen mögen, ihr zusammengemischter Gesamtpegel jedoch so hoch sein kann, daß Verzerrungen vorliegen. Es empfiehlt sich also immer, den Gesamtpegel auf den Spitzenzählern zu überwachen.

16. KOPFHÖRERBUCHSE (PHONES)

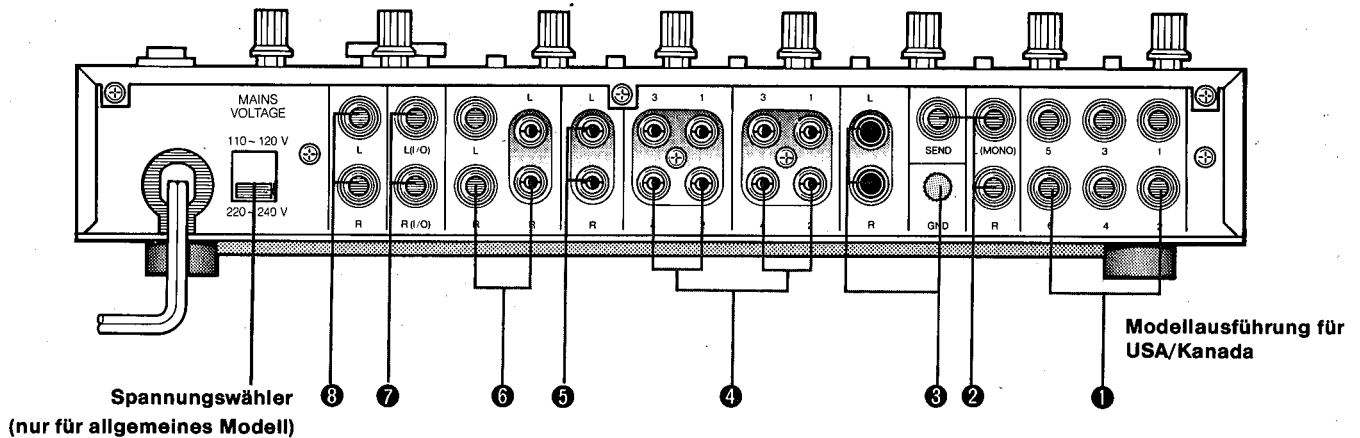
An diese Buchse läßt sich ein normaler Stereo-Kopfhörer anschließen, wodurch die Notwendigkeit eines zusätzlichen Verstärkers zur Tonüberwachung entfällt.

17. NETZSCHALTER (POWER)

Zum Ein- und Ausschalten des RM-602. Bei Einschalten des Geräts leuchtet die niedrigste LED (" ∞ ") des Spitzenzählers auf.

RÜCKSEITIGE ANSCHLÜSSE

RÜCKSEITE



1. KANALEINGÄNGE (INPUT)

Diese Buchsen sind die Haupteingänge zu den 6 Eingangskanälen des RM602. Hier können, abhängig von der Einstellung der Eingangswähler, sowohl Line-Eingangsquellen als auch Mikrofone angeschlossen werden. An die 1/4 Zoll Klinkenbuchsen lassen sich praktisch alle elektronischen Musikinstrumente bzw. Mikrofone anschließen.

2. EFFEKTE-AUS- UND EINGANGSBUCHSEN (EFFECTS SEND AND RETURN)

Der Signalausgang wird von der Effekte-Ausgangsbuchse (EFFECTS SEND) zum Eingang eines externen Signalprozessors wie Verzögerer (z.B. Yamaha Digital-Verzögerer D1500) oder Nachhallgerät (z.B. Yamaha Nachhallgerät R1000) geschickt. Der Ausgang des externen Signalprozessors wird danach über die Effekte-Eingangsbuchse (EFFECTS RETURN) wieder in den RM602 geführt, von wo aus das Signal über den Effekte-Eingangsspegelregler (EFFECTS RETURN) in das Haupt-Stereosignal gemischt wird. Wenn das Effekte-Eingangssignal Stereo ist, müssen beide Buchsen (EFFECTS RETURN L und R) belegt werden, wenn es Mono ist, erfolgt der Anschluß über die Buchse L.

3. PHONO-EINGÄNGE MIT ERDUNGSKLEMME (GND)

Der RM602 ist mit einem eingebauten Phono-Entzerrerverstärker versehen, der direkten Anschluß eines herkömmlichen Plattenspielers ermöglicht.

Hierbei kann das Phono-Signal allein verarbeitet oder mit anderen Eingängen gemischt werden.

Bei Einstellung der Eingangswähler (Kanal 5 und 6) auf PHONO L bzw. PHONO R, wird das linke (L) und rechte (R) Phono-Signal zum entsprechenden Eingangskanal (5 bzw. 6) gesendet.

Es darf nicht vergessen werden, das Erdungskabel des Plattenspielers an die ERDUNGSKLEMME (GND) anzuschließen. Wenn kein Plattenspieler angeschlossen ist, sollte man die PHONO-Buchsen mit einem Blindstecker verschließen.

4. TONBAND-EIN- UND AUSGÄNGE (TAPE IN und TAPE OUT)

Für direkten Anschluß an ein 4-Kanal-Mehrspur-Tonbandgerät (z.B. Yamaha MT44D oder MT44) sind vier Ein- und Ausgänge vorgesehen. Hierbei müssen die Ausgänge des Tonbandgeräts an die Tonband-Eingänge (TAPE IN) des RM602 und die Eingänge an die Tonband-Ausgänge (TAPE OUT) des RM602 angeschlossen werden. Die Tonbandeingänge werden zum Mischen oder Überwachen durch Einstellung des entsprechenden Eingangswählers der einzelnen Kanäle (1 bis 4) auf TAPE angewählt. Die Eingangskanäle 1 bis 4 versorgen die zugehörigen Tonband-Ausgangsbuchsen (TAPE OUT).

Diese speziellen Ein- und Ausgänge ermöglichen, daß das Tonbandgerät die ganze Zeit über angeschlossen bleiben kann, und kein umständliches Umstöpseln für Ein- und Ausgänge erforderlich ist—wie es bei manchen teureren Geräten immer noch gang und gäbe ist.

5. ZUSÄTZLICHE EINGANGSBUCHSEN (AUX IN)

Über Anschluß an diese Buchsen lassen sich beliebige zusätzliche Eingangsquellen zum zusammengemischten Signal hinzufügen. Für Anschluß an diese Buchsen eignet sich zum Beispiel sehr gut ein Cassettendeck.

6. STEREO-AUSGÄNGE (STEREO OUT)

Dies sind die Haupt-Ausgangsbuchsen des RM602 und liefern das über sämtliche Eingänge und die Zusatzbuchsen zusammengemischte Stereo-Signal. Als Buchsen stehen sowohl Cinch-Steckerbuchse als auch Klinkenbuchsen zur Verfügung.

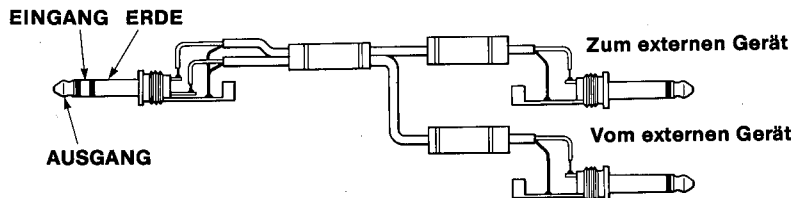
7. STEREO-EINSCHUBBUCHSEN (STEREO INSERT)

Dies sind TRS-Klinkenbuchsen, bei denen sowohl Ein- als auch Ausgang über eine Buchsenverbindung

geschickt wird. Über diese Buchsen (STEREO L und STEREO R INSERT) wird ermöglicht, externe Signalprozessoren vor den Haupt-Überblendstufen separat in den linken oder rechten Stereobus hineinzuschalten. Dies ist der ideale Ort für die Zwischenschaltung von grafischen Entzerrern, z.B. Yamaha GQ1031, für präzisen Frequenzgangzuschnitt des gesamten Stereosignals. Die TRS-Klinkenbuchsen sind wie in der folgenden Abbildung gezeigt verdrahtet.

8. KONTROLLAUSGÄNGE (MONITOR OUT)

Dies sind die Line-Ausgänge vom Stereo-Kontrollbus. Das von diesen Buchsen kommende Signal kann über einen Verstärker mit angeschlossenen Kontrollautsprechern, oder direkt über die Aktiv-Kontrollautsprecher Yamaha MS10 abgehört werden.

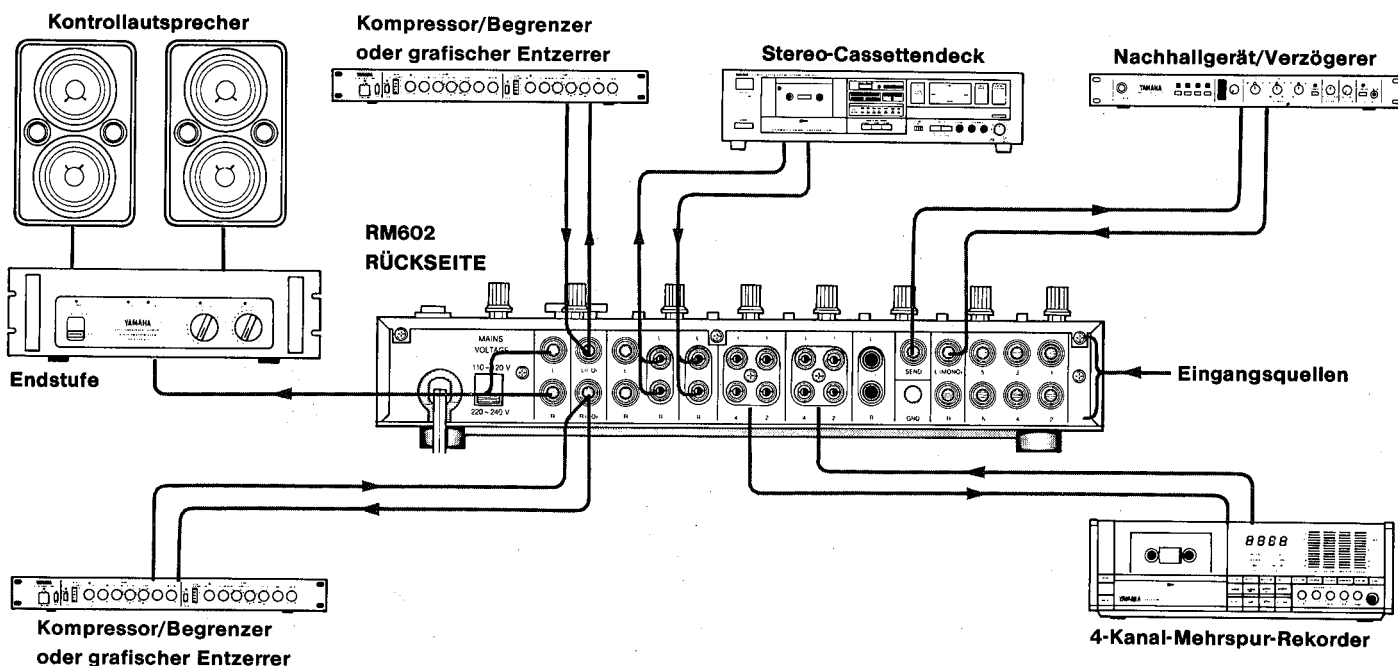


ANWENDUNGSBEISPIELE

1. Stellen Sie Ihre eigene Anlage zusammen und machen Sie erstklassige Demo-Cassetten mit dem RM602 und einem 4-Kanal-Mehrspur-Rekorder (Sie können alle Instrumente selbst spielen!). Der ideale 4-Kanal-Mehrspur-Cassettenrekorder für das RM602 ist der Yamaha MT44D. Beide Geräte können am besten zusammen in der Studio-Konsole RB35B untergebracht werden, das ebenfalls mit einem leicht zugänglichen Anschlußfeld versehen ist.

2. Das RM602 eignet sich hervorragend als On-Stage Keyboard-Mischgerät. Hierbei können Balance und Ton der Keyboard-Zusammenstellung geregelt werden, bevor das Signal zum Tonverstärkungs-Mischpult geschickt wird.
3. Das RM602 liefert alle notwendigen Mischfunktionen und mehr, für Proben und Mini-Auftritte.
4. Für "Videonarren" ist ein gutes Mischsystem unerlässlich, z.B. für Hintergrundmusik, Kommentare, Erzählung und Klangeffekte. Auch hier läßt sich das RM602 ideal einsetzen.

■ ANLAGENBEISPIEL: AUFNAHME-SYSTEM



■ MEHRSPUR-AUFNAHMESYSTEM

WAS MAN BRAUCHT

Was man grundsätzlich für eine einfache Anlage für Mehrspur-Aufnahmen braucht, sind Instrumente, ein gutes Mikrofon (für die Aufnahme von Gesang bzw. akustischen Instrumenten), einen 4-Kanal-Mehrspur-Rekorder wie z.B. den Yamaha MT44D, einen RM602 und Kopfhörer. Mit dieser einfachen Anlage lassen sich bereits erstaunlich komplexe Aufnahmen mit Ihrer Band, oder auch alleine, machen. Und obwohl die Bezeichnung "4-Spur-Rekorder" eigentlich andeutet, daß man nur 4 individuelle Parts aufzeichnen kann, lassen sich bei Anwendung einer besonderen Technik, bekannt als "Ping-Pong-Aufzeichnung" (Einzelheiten hierzu und Tips für viele andere Aufnahmemethoden finden Sie im Yamaha Multitrack-Leitfaden) bis zu 10 einzelne Parts aufzeichnen. Es gibt keinen besseren Weg, Kompositionen, Arrangements und Spieltechnik zu verbessern, und das Ganze dann zum Vorweisen auf eine Demo-Cassette aufzuzeichnen. Zur Erstellung einer Demo-Cassette wird noch ein normales Stereo-Cassettendeck gebraucht, auf das die 4 Originalspuren des Rekorders zusammengemischt werden.

JE GRÖßER DIE ZAHL DER INSTRUMENTE, DESTO VIELSEITIGER IST DIE ANLAGE

Wenn Sie Ihr Mehrspursystem einmal aufgebaut und sich mit der Anlage vertraut gemacht haben, werden Sie bemerken, daß der Einsatz vieler Instrumente von Vorteil ist. Hierdurch wird die Erzeugung wesentlich charakteristischerer Tonstrukturen und interessanter Klangkombinationen ermöglicht (können Sie sich 10 Spuren nur mit Gitarre vorstellen? Das mag ja am Anfang recht interessant sein, würde nach einer Weile jedoch recht langweilig wirken). Ein Instrument, dessen Ton- und Klangerzeugung nicht so begrenzt ist, ist der Synthesizer. Mit sorgfältig arrangierten "Synthesizerschnitten", die zusammen einen vielfältigen, jedoch sauber aufeinander abgestimmten

Stimmenbereich erzeugen, könnte man ohne weiteres eine vollständige, interessante Komposition gestalten. Yamaha bietet ein umfassendes Programm von Synthesizern an, die für solche Zwecke ideal sind—vom winzigen Monophon-Synthesizer CS01-II bis zu den meist professionell eingesetzten digital programmierbaren Algorithmus-Synthesizern der DX-Serie. Rhythmus ist ein anderes Problem, das sich bei den meisten Mehrspur-Aufnahmefans früher oder später bemerkbar macht. Nur wenn Sie Schlagzeuger sind, wird es sich wohl lohnen, fürs "Studio" ein komplettes Schlagzeug zu kaufen oder zu leihen. Auch hier gibt es eine Yamaha-Lösung: die neuen digitalen Rhythmus-Programmierer. Dies sind Rhythmusmaschinen, die nicht nur wie ein echtes Schlagzeug klingen (die Schlagzeug-Töne werden digital aufgezeichnet), sondern auch programmierbar und MIDI-kompatibel sind (MIDI = Music Instrument Digital Interface).

SYSTEMAUSBAU FÜR BESSERE TONÜBERWACHUNG

Wenn Sie ein wenig Erfahrung gesammelt haben, werden sich Ihre Aufnahmen schon recht professionell anhören, weshalb Sie wohl bald aus den Kopfhörern "herauswachsen" werden. Echte Kontrolllautsprecher bieten sich hier als Lösung an, z.B. der Yamaha MS10 der Producer-Serie. Diese kompakte Lautsprecherbox besitzt eine eingebaute 20 Watt Endstufe, und auf der Frontplatte Lautstärke- Tiefen- und Höhenregler. Und wenn das immer noch nicht ausreicht, können Sie sich auch eine qualitativ hochwertige Stereo-Endstufe und Kontrolllautsprecher zulegen—Yamaha bietet auch hier große Auswahl.

UND NOCH VIELES IN VORBEREITUNG

Das spezielle Yamaha-Angebot für kleine Aufnahmestudios wächst laufend. Eine Vielzahl an neuen Produkten und Neuentwicklungen für Super-Sound aus Ihrem "Studio" werden bald auf dem Markt erhältlich sein.

TECHNISCHE DATEN

Frequenzgang (bei 10 kOhm, Nennpegel)	20 Hz bis 20 kHz (+1, -2 dB)
Klirrgrad (20 Hz bis 20 kHz, 10 kOhm, +10 dB)	geringer als 0,05%
Rauschpegel* (20 Hz bis 20 kHz, Eingang kurzgeschl., INPUT SELECT "-50")	
Äquivalentes Eingangsrauschen	-122 dB
Eigenrauschen (STEREO OUT EFFECTS SEND)	-101 dB
STEREO OUT (MASTER-Überblendregler: nominell, alle Kanal- Überbl.-Regler: min.)	- 89 dB
MONITOR OUT (MONITOR-Lautstärke: nominell, alle Kanal- MONITOR-Lautst.: min.)	- 79 dB
EFFECTS SEND EFFECTS SEND-Lautst.: nominell, alle Kanal- EFFECTS-Lautst.: min.)	- 89 dB
Max. Ausgangspegel (10 kOhm, 0,2% Klirrgr., 20 Hz bis 20 kHz)	+ 17,5 dB
Max. Spannungsverstärkung	
Kanal INPUT zu STEREO OUT	52 dB
Kanal INPUT zu MONITOR OUT	68 dB
Kanal INPUT zu EFFECTS SEND	58 dB
Kanal INPUT zu TAPE OUT	46 dB
Kanal INPUT zu ST INSERT OUT	46 dB
TAPE IN zu STEREO OUT	12 dB
TAPE IN zu MONITOR OUT	22 dB
AUX IN zu STEREO OUT	16 dB
EFFECTS RETURN zu STEREO OUT	16 dB
ST INSERT IN zu STEREO OUT	6 dB
Übersprechen (1 kHz)	
Eingangskanal zu Eingangskanal	- 60 dB
Eingangskanal zu Ausgangskanal	- 60 dB
Entzerrereigenschaften	
HIGH EQ (oberhalb 10 kHz)	± 15 dB
LOW EQ (unterhalb 100 Hz)	± 15 dB
Stromversorgung	
(UL, USA)	120 V Netzstrom, 60 Hz
(Allgemein)	110, 120, 220, 240 V Netzstrom, 50/60 Hz
Leistungsaufnahme	15 W
Maße (B×H×T)	340 × 73 × 325 mm
Gewicht	3,2 Kg

Änderungen der technischen Daten vorbehalten.

*Gemessen mit -6 dB/Oktave LPF 12,7 kHz.

0 dB = 0.775 V Effektivwert.

■ EINGÄNGE

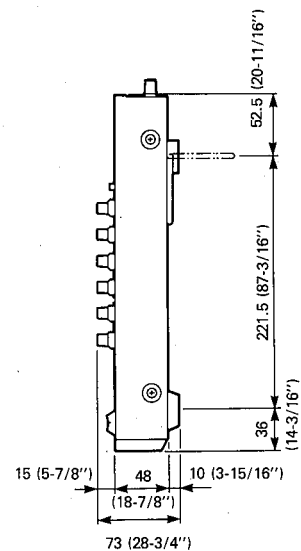
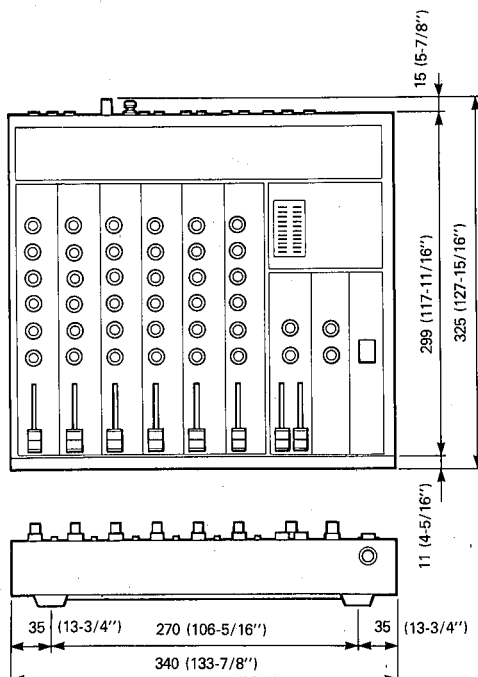
EINGÄNGE	EINGANGSWÄHLER	EINGANGSIMPEDANZ	QUELLENIMPEDANZ	EMPFINDLICHKEIT* (MAX. VERSTÄRKUNG)	EINGANGSPEGEL		ANSCHLUSS
					NENNPEGEL	MAX. PEGEL OHNE SIGNALBESCHNEIDUNG	
CH INPUT CH1 - CH6	- 50 dB	20 kOhm	50 - 250 Ohm Mikrofon oder 600 Ohm LINE-Eingänge	- 62 dB (0,62 mV)	- 50 dB (2,5 mV)	- 22,5 dB (58,1 mV)	KLINKENSTECKER- BUCHSE
	- 35 dB			- 47 dB (3,5 mV)	- 35 dB (13,8 mV)	- 7,5 dB (327 mV)	
	- 20 dB			- 32 dB (19,5 mV)	- 20 dB (77,5 mV)	+ 7,5 dB (1,84 V)	
TAPE IN CH1 - CH4		10 kOhm	Cassettendeck	- 22 dB (61,5 mV)	- 10 dB (245 mV)	+ 17,5 dB (5,81 V)	CINCH-BUCHSE
PHONO IN CH5,CH6		47 kOhm	Plattenspieler	- 62 dB (0,62 mV)	- 50 dB (2,5 mV)	- 22,5 dB (58,1 mV)	CINCH-BUCHSE
AUX IN (L, R)		10 kOhm	600 Ohm LINE-Eingänge	- 26 dB (38,8 mV)	- 20 dB (77,5 mV)	+ 20,0 dB (7,75 V)	CINCH-BUCHSE
EFFECTS RETURN (L, R)		10 kOhm	600 Ohm LINE-Eingänge	- 26 dB (38,8 mV)	- 20 dB (77,5 mV)	+ 20,0 dB (7,75 V)	KLINKENSTECKER- BUCHSE
ST INSERT IN (L, R)		10 kOhm	600 Ohm LINE-Eingänge	- 16 dB (123 mV)	- 10 dB (245 mV)	+ 20,0 dB (7,75 V)	KLINKENSTECKER- BUCHSE (TRS)

■ AUSGÄNGE

AUSGÄNGE	AUSGANGSIMPEDANZ	LASTIMPEDANZ	AUSGANGSPEGEL		ANSCHLUSS
			NENNPEGEL	MAX. PEGEL OHNE SIGNALBESCHNEIDUNG	
STEREO OUT (L, R)	330 Ohm	10 kOhm LINE-Ausgänge	- 10 dB (245 mV)	+ 17,5 dB (5,8 V)	KLINKENSTECKER-BUCHSE & CINCH-BUCHSE
MONITOR OUT (L, R)	330 Ohm	10 kOhm LINE-Ausgänge	0 dB (775 mV)	+ 17,5 dB (5,8 V)	KLINKENSTECKER-BUCHSE
EFFECTS SEND	330 Ohm	10 kOhm LINE-Ausgänge	- 10 dB (245 mV)	+ 17,5 dB (5,8 V)	KLINKENSTECKER-BUCHSE
TAPE OUT (1 - 4)	330 Ohm	10 kOhm LINE-Ausgänge	- 10 dB (245 mV)	+ 17,5 dB (5,8 V)	CINCH-BUCHSE
ST INSERT OUT (L, R)	330 Ohm	10 kOhm LINE-Ausgänge	- 10 dB (245 mV)	+ 17,5 dB (5,8 V)	KLINKENSTECKER-BUCHSE (TRS)
PHONES	100 Ohm	8 Ohm Kopfhörer	- 22 dB (61,6 mV)	- 4,5 dB (462 mV)	STEREO-KLINKENSTECKER-BUCHSE

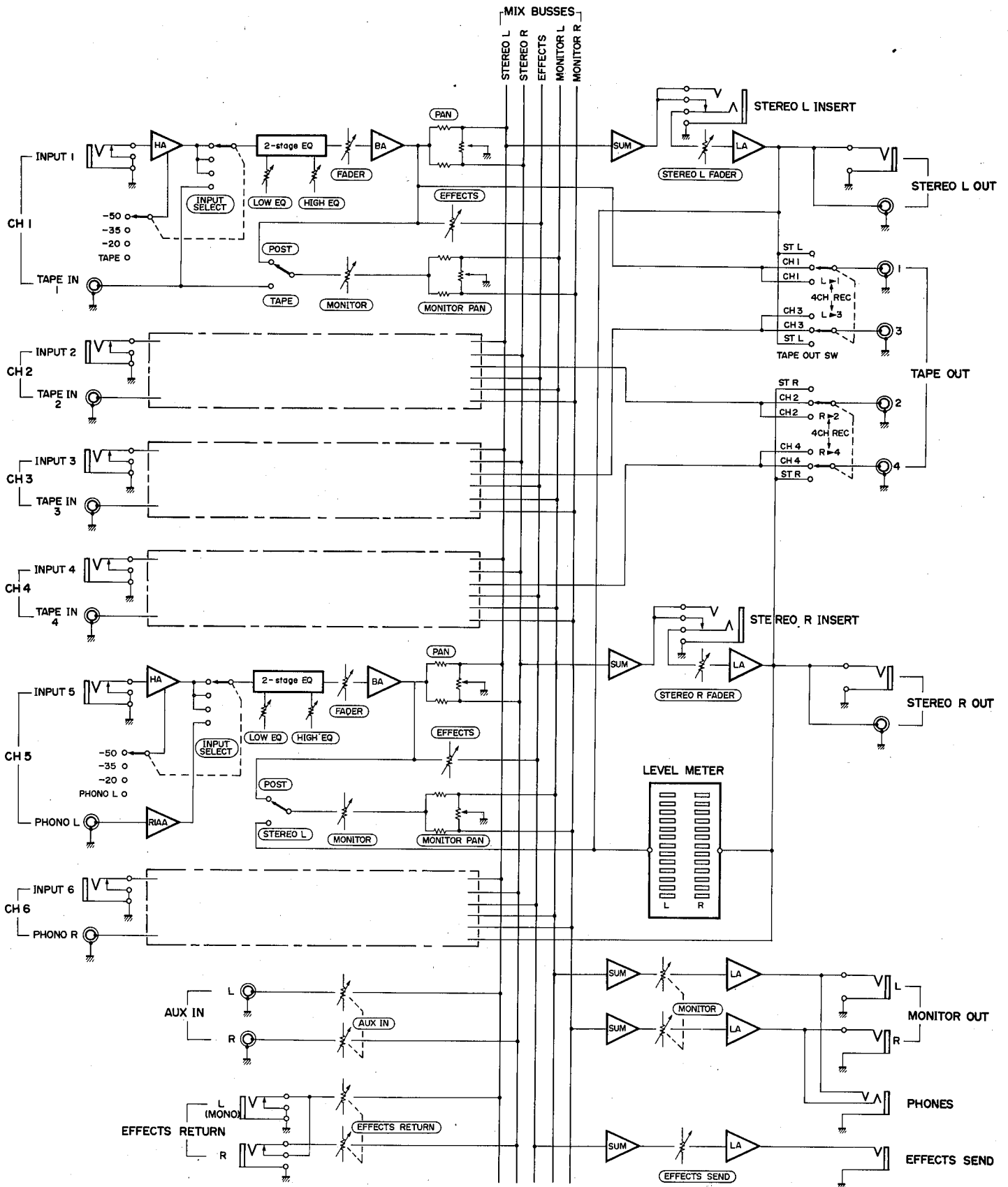
*Empfindlichkeit ist der niedrigste Pegel, der eine Abgabe von - 10 dB erbringt.
0 dB = 0,775 V Effektivwert.
Alle Ein- und Ausgänge sind unsymmetrisch.

■ MASSE

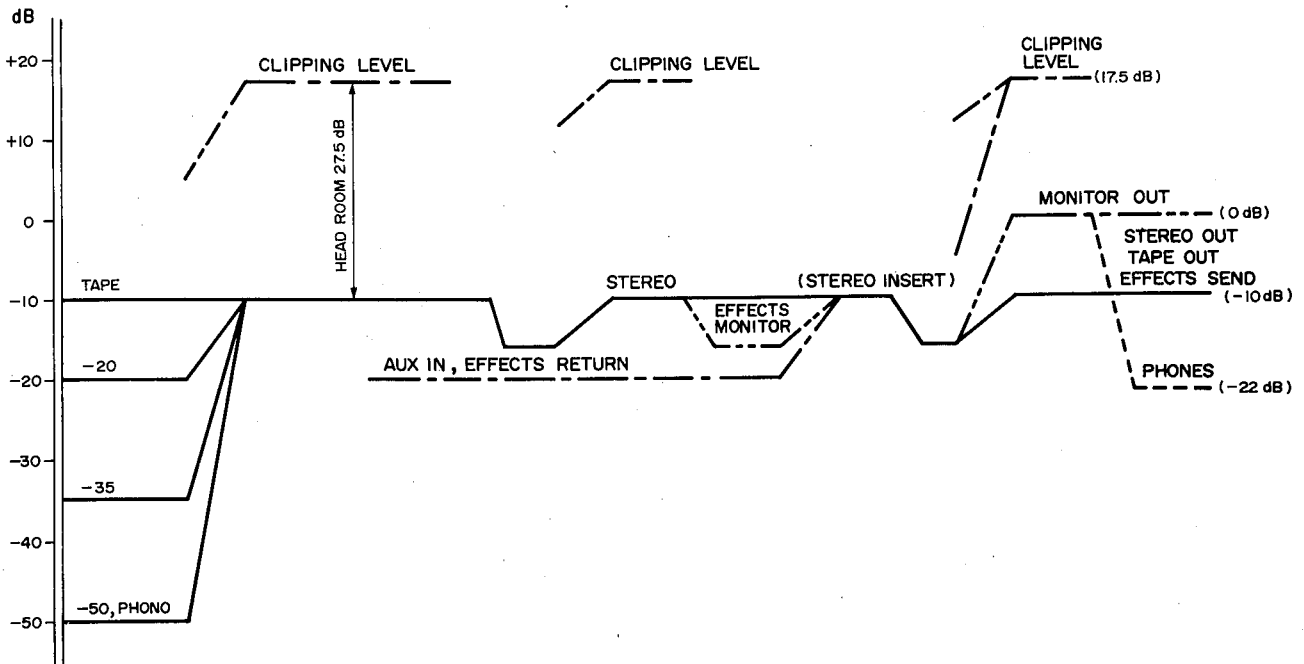
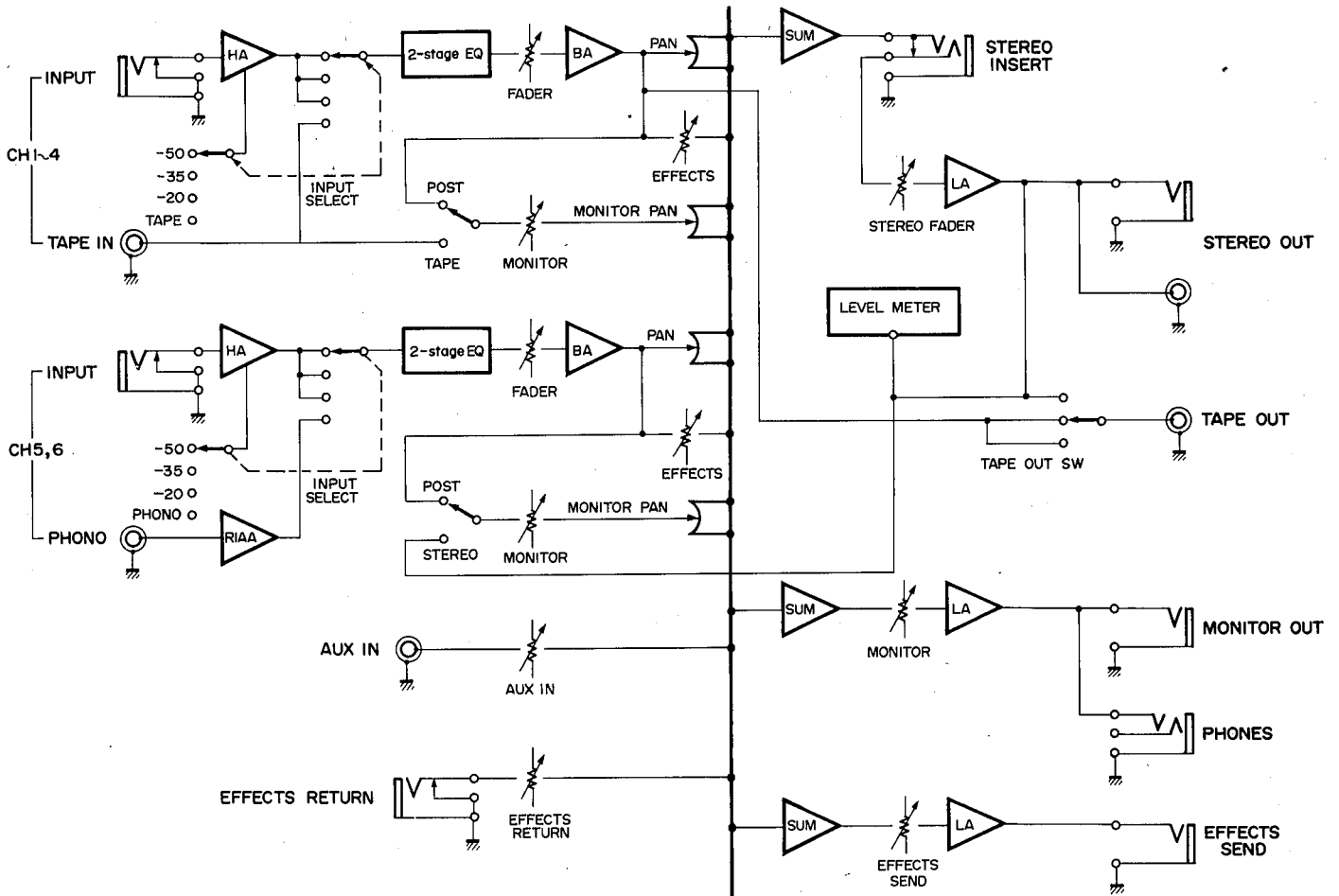


Maßeinheit: mm (Zoll)

BLOCKSCHALTBIKD



PEGELDIAGRAMM



SINCE 1887



YAMAHA

NIPPON GAKKI CO., LTD. HAMAMATSU, JAPAN

SERVICE

The RM602 are supported by Yamaha's worldwide network of factory trained and qualified dealer service personnel. In the event of a problem, contact your nearest Yamaha dealer.

SERVICE

Le RM602 bénéficie du réseau mondial Yamaha de techniciens d'entretien spécialisés et formés en usine des revendeurs. Dans l'éventualité d'un problème, adressez-vous au revendeur Yamaha le plus proche.

KUNDENDIENST

Yamaha's weltweit verbreitete fabrikgeschulte und qualifizierte Verkaufs-Kundendienstpersonal ist mit dem RM602 bestens vertraut. Im Falle eines Problems treten Sie mit Ihrer nächsten Yamaha-Zweigstelle in Verbindung.

Free Manuals Download Website

<http://myh66.com>

<http://usermanuals.us>

<http://www.somanuals.com>

<http://www.4manuals.cc>

<http://www.manual-lib.com>

<http://www.404manual.com>

<http://www.luxmanual.com>

<http://aubethermostatmanual.com>

Golf course search by state

<http://golfingnear.com>

Email search by domain

<http://emailbydomain.com>

Auto manuals search

<http://auto.somanuals.com>

TV manuals search

<http://tv.somanuals.com>