



SPEAKER SYSTEMS

S10e/S12e/S15e S12Me

Owner's Manual

Mode d'emploi

Bedienungsanleitung

Manual de instrucciones

Thank you for purchasing a YAMAHA product. To obtain maximum performance from your YAMAHA speaker system and ensure many years of trouble-free operation, we recommend that you read this Owner's Manual thoroughly before use.

Contents

<i>Precautions</i>	2
<i>Connecting the Speakers</i>	3
<i>Specifications</i>	4

Precautions

AVOID EXCESSIVE HEAT, HUMIDITY, DUST AND VIBRATION

When choosing a location for your speakers, avoid the following:

- Direct sunlight, high temperatures (such as near heaters), or excessively low temperatures.
- High humidity.
- Areas subject to excessive dust accumulation and vibration.
- Non-level or unstable surfaces.

HOW TO POWER UP YOUR SOUND SYSTEM

To avoid damage to your speakers and other parts of your system, when you turn on your system, ALWAYS turn the power amp on last! This will avoid loud, damaging pops that will annoy your audience, and blow your speakers. When you power down, the amplifier should ALWAYS be turned off first to avoid the same problems.

MAKE SURE THE POWER IS OFF BEFORE MAKING OR REMOVING CONNECTIONS

Always turn the power switches of system components OFF prior to connecting or disconnecting cables. Failure to do so may result in damage to speakers as well as to connected equipment.

DISCONNECT CABLES BEFORE MOVING THE SYSTEM

To prevent short circuits or breakage of cables, always disconnect cables prior to moving system equipment.

MATCH CONNECTOR POLARITY

When using two or more speaker systems, be sure match the polarity (+/-) of the speaker system connectors to those at the amplifier. If the polarities do not match, the sounds produced by the speakers will interfere with each other, making it impossible to achieve a well-balanced sound field.

KEEP THIS OWNER'S MANUAL IN A SAFE PLACE FOR FUTURE REFERENCE

To protect your speakers

When choosing a power amplifier to use with your speakers, make sure that its power output matches the speakers' power capacity (refer to the Specifications on page 4). Even if the amplifier's power output is lower than the speakers' PGM (program) power capacity, the speakers may be damaged when clipping of a high input signal occurs.

The following may cause damage to speakers:

- Feedback caused when using a microphone.
- Continuous high sound pressure level produced by electronic instruments.
- Continuous high-power output distorted signals.
- Popping noises caused by turning on equipment, or by connecting or disconnecting system components while the amplifier is turned on.

Poly Switch

All models are fitted with a self-resetting poly switch that protects the high-frequency driver from damage caused by excessive power.

If a loudspeaker cabinet loses high-frequency output, immediately remove power from the unit and wait for two to three minutes. This should allow the poly switch to reset. Re-apply power and check the performance of the high-frequency driver before continuing with the power reduced to a level that does not cause the poly switch to interrupt the signal.



This product, when used in combination with amplification and/or additional loudspeakers, may be capable of producing sound levels that could cause permanent hearing loss.

DO NOT operate at high volume levels or at a level that is uncomfortable. If you experience any discomfort or ringing in the ears, or suspect an hearing loss, you should consult an audiologist.

CAUTION!

For the four models, S10e, S12e, S15e and S12Me, use the TS-30, TS-40, TS-80, or TS-90 speaker stand by Ultimate Support System, Inc. sold separately.

When using speaker stands, observe the following precautions to prevent the speaker stands from falling over or the speaker system being dropped.

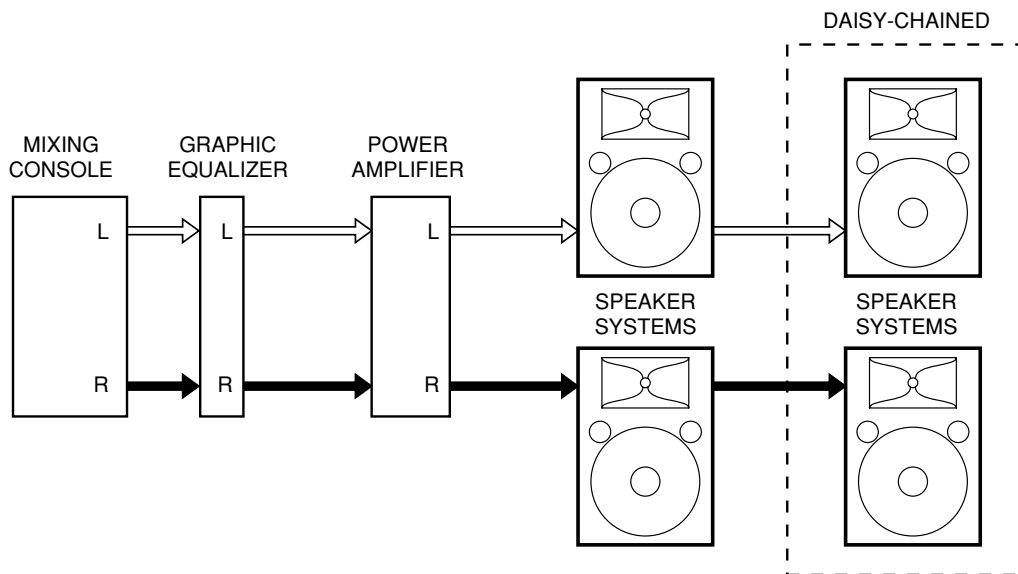
- Use the speaker stands with their legs fully opened.
- Do not place more than one speaker on the same speaker stand.
- Tighten fastening screws securely.

- Remove the speakers from the stands before moving the stands or adjusting their height.
- Implement measures to prevent the speaker stands from falling over.
- Use the stand at no higher than 150 cm for all speaker models.
- The top tube of the TS-30 and TS-40 speaker stands has a diameter of 1-1/2", but is tapered to 1-3/8" at the top to fit in the mounting holes on the four models named. If you should remove the top tube from a stand, be sure to insert it with the narrow end up when reassembling.

Connecting the Speakers

CONNECTION EXAMPLE

The illustration below shows audio connections for a standard setup using two speaker systems.



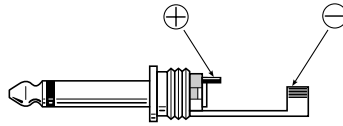
DAISY-CHAINING SPEAKERS

Since the speaker systems in this series are equipped with two input terminals that are internally connected in parallel, it is possible “daisy-chain” speakers by connecting the output from the power amplifier to one phone jack, and a second speaker system to the other.

All speaker models in this series have a nominal impedance of 8Ω. Since most power amplifiers are designed to provide stable performance at a load impedance of 4 or 8Ω, Yamaha recommends that no more than two 8Ω speaker systems be daisy-chained together. This will allow the amplifier to operate properly and avoid overheating.

PHONE PLUG WIRING

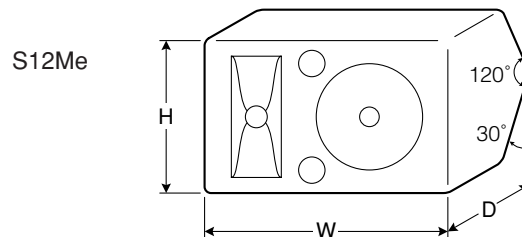
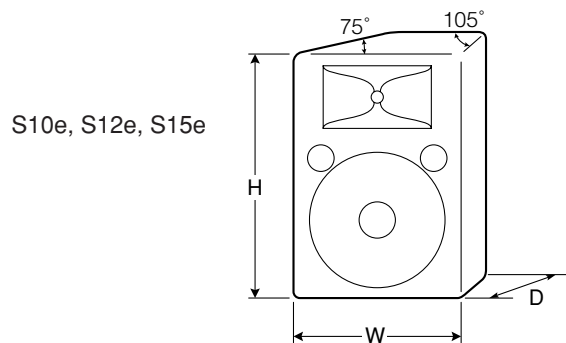
The standard input terminals for this unit are 1/4" phone jacks. Connect the speaker leads as shown in this diagram.



Caution: Use only unshielded speaker cable with stranded conductors to connect speakers to the speaker terminals on a power amplifier. The use of audio cable not rated as sufficient for the amplifier's maximum output level can create a potential fire hazard.

Specifications

Model		S10e	S12e/S12Me	S15e
Enclosure		Bass reflex type		
Speaker Unit	LF	10" cone	12" cone	15" cone
	HF	90°(H) x 40°(V) CD Horn Tweeter		
Frequency Response		65 Hz to 14 kHz	65 Hz to 14 kHz	60 Hz to 14 kHz
Power Capacity	NOISE*	100 W	125 W	
	PGM	200 W	250 W	
	MAX	400 W	500 W	
Nominal Impedance		8Ω		
Sensitivity		96 dB SPL (1W, 1m)	97 dB SPL (1W, 1m)	98 dB SPL (1W, 1m)
Input Connectors		1/4" phone jack x 2 (parallel input)		
Dimensions (W x H x D)		397 x 550 x 326 mm	S12e: 405 x 580 x 337 mm S12Me: 570 x 410 x 318 mm	486 x 667 x 367 mm
Weight		13.8 kg	S12e: 15 kg S12Me: 13.8 kg	20.3 kg



Unit: mm

*: EIA RS-426

Specifications subject to change without notice

Free Manuals Download Website

<http://myh66.com>

<http://usermanuals.us>

<http://www.somanuals.com>

<http://www.4manuals.cc>

<http://www.manual-lib.com>

<http://www.404manual.com>

<http://www.luxmanual.com>

<http://aubethermostatmanual.com>

Golf course search by state

<http://golfingnear.com>

Email search by domain

<http://emailbydomain.com>

Auto manuals search

<http://auto.somanuals.com>

TV manuals search

<http://tv.somanuals.com>