



**TF5 / TF3 / TF1**

**DIGITAL MIXING CONSOLE**

# **TF Editor Installation Guide**

# SOFTWARE LICENCING AGREEMENT

PLEASE READ THIS SOFTWARE LICENSE AGREEMENT ("AGREEMENT") CAREFULLY BEFORE USING THIS SOFTWARE. YOU ARE ONLY PERMITTED TO USE THIS SOFTWARE PURSUANT TO THE TERMS AND CONDITIONS OF THIS AGREEMENT. THIS AGREEMENT IS BETWEEN YOU (AS AN INDIVIDUAL OR LEGAL ENTITY) AND YAMAHA CORPORATION ("YAMAHA").

BY DOWNLOADING, INSTALLING, COPYING, OR OTHERWISE USING THIS SOFTWARE YOU ARE AGREEING TO BE BOUND BY THE TERMS OF THIS LICENSE. IF YOU DO NOT AGREE WITH THE TERMS, DO NOT DOWNLOAD, INSTALL, COPY, OR OTHERWISE USE THIS SOFTWARE. IF YOU HAVE DOWNLOADED OR INSTALLED THE SOFTWARE AND DO NOT AGREE TO THE TERMS, PROMPTLY DELETE THE SOFTWARE.

## 1. GRANT OF LICENSE AND COPYRIGHT

Yamaha hereby grants you the right to use the software program(s) and data ("SOFTWARE") accompanying this Agreement. The term SOFTWARE shall encompass any updates to the accompanying software and data. The SOFTWARE is owned by Yamaha and/or Yamaha's licensor(s), and is protected by relevant copyright laws and all applicable treaty provisions. While you are entitled to claim ownership of the data created with the use of SOFTWARE, the SOFTWARE will continue to be protected under relevant copyrights.

- **You may** use the SOFTWARE on **your computer(s.)**
- **You may** make one or reasonable copies of the SOFTWARE in machine-readable form for backup purposes only, if the SOFTWARE is on media where such backup copy is permitted. On the backup copy, you must reproduce Yamaha's copyright notice and any other proprietary legends that were on the original copy of the SOFTWARE.
- **You may** permanently transfer to a third party all your rights in the SOFTWARE, provided that you do not retain any copies and the recipient reads and agrees to the terms of this Agreement.

## 2. RESTRICTIONS

- **You may not** engage in reverse engineering, disassembly, decompilation or otherwise deriving a source code form of the SOFTWARE by any method whatsoever.
- **You may not** reproduce, modify, change, rent, lease, or distribute the SOFTWARE in whole or in part, or create derivative works of the SOFTWARE.
- **You may not** electronically transmit the SOFTWARE from one computer to another or share the SOFTWARE in a network with other computers.
- **You may not** use the SOFTWARE to distribute illegal data or data that violates public policy.
- **You may not** initiate services based on the use of the SOFTWARE without permission by Yamaha Corporation.

Copyrighted data, including but not limited to MIDI data for songs, obtained by means of the SOFTWARE, are subject to the following restrictions which you must observe.

- Data received by means of the SOFTWARE may not be used for any commercial purposes without permission of the copyright owner.
- Data received by means of the SOFTWARE may not be duplicated, transferred, or distributed, or played back or performed for listeners in public without permission of the copyright owner.
- The encryption of data received by means of the SOFTWARE may not be removed nor may the electronic watermark be modified without permission of the copyright owner.

## 3. TERMINATION

This Agreement becomes effective on the day that you receive the SOFTWARE and remains effective until terminated. If any copyright law or provisions of this Agreement is violated, the Agreement shall terminate automatically and immediately without notice from Yamaha. Upon such termination, you must immediately destroy the licensed SOFTWARE, any accompanying written documents and all copies thereof.

## 4. DISCLAIMER OF WARRANTY ON SOFTWARE

You expressly acknowledge and agree that use of the SOFTWARE is at your sole risk. The SOFTWARE and related documentation are provided "AS IS" and without warranty of any kind. NOTWITHSTANDING ANY OTHER PROVISION OF THIS AGREEMENT, YAMAHA EXPRESSLY DISCLAIMS ALL WARRANTIES AS TO THE SOFTWARE, EXPRESS, AND IMPLIED, INCLUDING BUT NOT LIMITED TO THE IMPLIED WARRANTIES OF MERCHANTABILITY, FITNESS FOR A PARTICULAR PURPOSE AND NON-INFRINGEMENT OF THIRD PARTY RIGHTS.

SPECIFICALLY, BUT WITHOUT LIMITING THE FOREGOING, YAMAHA DOES NOT WARRANT THAT THE SOFTWARE WILL MEET YOUR REQUIREMENTS, THAT THE OPERATION OF THE SOFTWARE WILL BE UNINTERRUPTED OR ERROR-FREE, OR THAT DEFECTS IN THE SOFTWARE WILL BE CORRECTED.

## 5. LIMITATION OF LIABILITY

YAMAHA'S ENTIRE OBLIGATION HEREUNDER SHALL BE TO PERMIT USE OF THE SOFTWARE UNDER THE TERMS HEREOF. IN NO EVENT SHALL YAMAHA BE LIABLE TO YOU OR ANY OTHER PERSON FOR ANY DAMAGES, INCLUDING, WITHOUT LIMITATION, ANY DIRECT, INDIRECT, INCIDENTAL OR CONSEQUENTIAL DAMAGES, EXPENSES, LOST PROFITS, LOST DATA OR OTHER DAMAGES ARISING OUT OF THE USE, MISUSE OR INABILITY TO USE THE SOFTWARE, EVEN IF YAMAHA OR AN AUTHORIZED DEALER HAS BEEN ADVISED OF THE POSSIBILITY OF SUCH DAMAGES. In no event shall Yamaha's total liability to you for all damages, losses and causes of action (whether in contract, tort or otherwise) exceed the amount paid for the SOFTWARE.

## 6. THIRD PARTY SOFTWARE

Third party software and data ("THIRD PARTY SOFTWARE") may be attached to the SOFTWARE. If, in the written materials or the electronic data accompanying the Software, Yamaha identifies any software and data as THIRD PARTY SOFTWARE, you acknowledge and agree that you must abide by the provisions of any Agreement provided with the THIRD PARTY SOFTWARE and that the party providing the THIRD PARTY SOFTWARE is responsible for any warranty or liability related to or arising from the THIRD PARTY SOFTWARE. Yamaha is not responsible in any way for the THIRD PARTY SOFTWARE or your use thereof.

- Yamaha provides no express warranties as to the THIRD PARTY SOFTWARE. IN ADDITION, YAMAHA EXPRESSLY DISCLAIMS ALL IMPLIED WARRANTIES, INCLUDING BUT NOT LIMITED TO THE IMPLIED WARRANTIES OF MERCHANTABILITY AND FITNESS FOR A PARTICULAR PURPOSE, as to the THIRD PARTY SOFTWARE.
- Yamaha shall not provide you with any service or maintenance as to the THIRD PARTY SOFTWARE.
- Yamaha is not liable to you or any other person for any damages, including, without limitation, any direct, indirect, incidental or consequential damages, expenses, lost profits, lost data or other damages arising out of the use, misuse or inability to use the THIRD PARTY SOFTWARE.

## 7. GENERAL

This Agreement shall be interpreted according to and governed by Japanese law without reference to principles of conflict of laws. Any dispute or procedure shall be heard before the Tokyo District Court in Japan. If for any reason a court of competent jurisdiction finds any portion of this Agreement to be unenforceable, the remainder of this Agreement shall continue in full force and effect.

## 8. COMPLETE AGREEMENT

This Agreement constitutes the entire agreement between the parties with respect to use of the SOFTWARE and any accompanying written materials and supersedes all prior or contemporaneous understandings or agreements, written or oral, regarding the subject matter of this Agreement. No amendment or revision of this Agreement will be binding unless in writing and signed by a fully authorized representative of Yamaha.

## Note

- The software and this document are the exclusive copyrights of Yamaha Corporation.
- Please read carefully the Software License Agreement found in this document before installing the software.
- Copying or modifying the software or reproduction of this document, by any means, whether in whole or in part, is expressly forbidden without the written consent of Yamaha Corporation.
- Yamaha Corporation makes no representations or warranties with regard to the use of the software and documentation and cannot be held responsible for the results of the use of the software and this document.
- Information about system software and changes to certain product functions or specification due to updates to the software is available at the Yamaha Pro Audio web site.  
<http://www.yamahaproaudio.com/>
- Illustrations of product screens that appear in this document are for instructional purposes, and may appear somewhat different from the screens that are displayed on your computer.
- Copying of commercially available music sequence data and/or digital audio files is strictly prohibited except for your personal use.
- Windows is a registered trademark of Microsoft Corporation in the United States of America and other countries.
- Mac and Macintosh are trademarks of Apple Inc., registered in the U.S. and other countries.
- The company names and product names in this document are the trademarks or registered trademarks of their respective companies.

# What is TF Editor?

TF Editor is a computer program that allows you to use your computer to edit TF series console settings while away from the console (offline mode), and operate the console using the computer while it is connected to the console (online mode).

## Initial setup overview

1. Confirm that your computer is compatible with TF Editor. ([→page 4](#))
2. Install TF Editor on your computer. ([→page 4](#))
3. Configure TF Editor's network settings. ([→page 6](#))

For information about using TF Editor, refer to the TF Editor Operating Instructions. You can download the TF Editor Operating Instructions from the Yamaha Pro Audio web site.

<http://www.yamahaproaudio.com/>

## System compatibility

OS	Windows 7, Windows 8, Windows 8.1
CPU	Intel Core processor (including 64-bit processors) running at 2 GHz or faster
RAM	1 GB or more (2 GB or more if using a 64-bit processor)
Available storage	100 MB or more
Display	1280×768 or higher resolution, 16-bit or higher color depth
Other	Pointing device (mouse, trackpad, etc.), Ethernet connection (1000BASE-T/100BASE-TX)

### NOTE

The compatibility information listed here applies to TF Editor version 1.0.0. Information about updates and system compatibility is available at the Yamaha Pro Audio web site.

<http://www.yamahaproaudio.com/>

Depending on the computer, there may be additional system requirements not listed here.

## Installing TF Editor

TF Editor can be run independently on your computer. No additional software is needed to run TF Editor. Use the following procedure to install TF Editor.

1. Extract the downloaded file and double-click "setup.exe".

The TF Editor setup dialog is displayed.

### NOTE

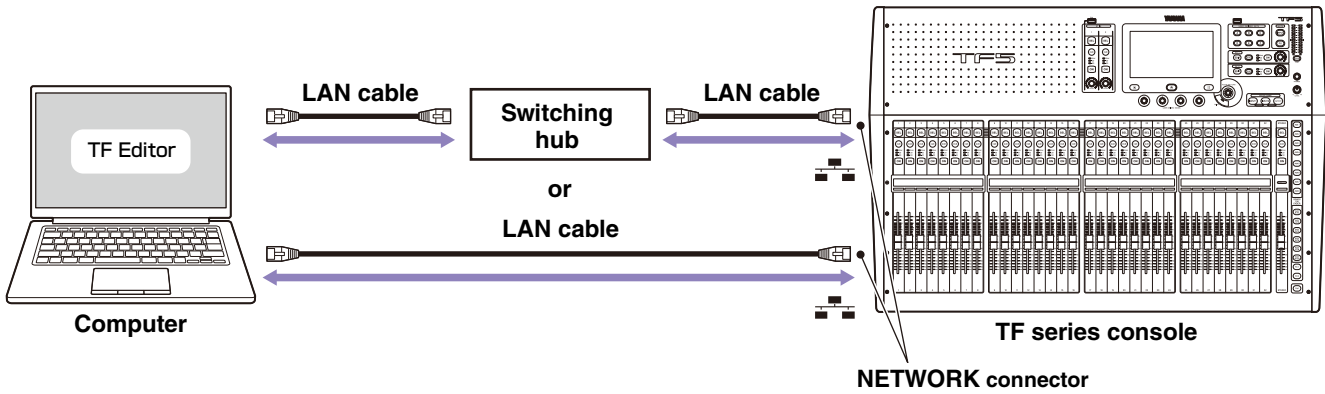
If the User Account Control screen is displayed, click [Continue] and then click [Yes].

2. Follow the on-screen instructions and install the software.

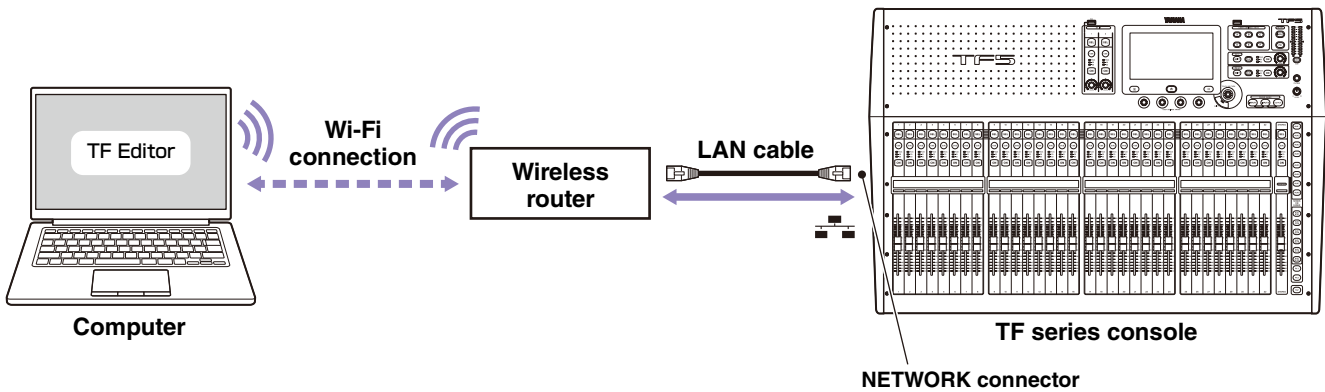
# Connecting the console to your computer

The following illustrations show how to connect the TF series console to your computer.

## Wired connection



## Wireless connection



### NOTE

When computers (running TF Editor) and iPads (running TF StageMix) are connected to the console, the console supports up to three simultaneous connections.

Only one computer running TF Editor can connect to the console at a time.

# Network settings

When configuring the computer and console's network settings manually, or when connecting the computer and console to an existing network, configure the settings according to the configuration of the network. Consult your network administrator for details. Additional information and details about network connections are available at the Yamaha Pro Audio web site.

<http://www.yamahaproaudio.com/>

## Console settings

<b>IP address</b>	Assign an IP address to the console. Make sure this IP address has not been assigned to another device on the network.
<b>Subnet mask</b>	Set this value according to the subnet mask of the subnet.
<b>Gateway</b>	If the network has a gateway, set this value to match the IP address of the gateway. If the network has no gateway, set this value to an unused IP address. If the network has a subnet, the IP address of the gateway must fall within the subnet.

## Computer settings

When configuring the computer and console's network settings manually, or when connecting the computer and console to an existing network, configure the computer's TCP/IP settings.

- 1. Navigate as follows: [Control Panel] → [Network and Sharing Center] or [View network status and tasks].**  
The "Network and Sharing Center" is displayed.
- 2. In the list on the left side of the screen, click [Manage Network Connections] or [Change adaptor settings], and then double-click [Local Area Connection].**  
The "Local Area Connection Status" dialog box is displayed.  
If the "Local Area Connection Properties" dialog box is displayed, continue from step **4**.
- 3. Click the [Properties] button.**  
The "Local Area Connection Properties" dialog box is displayed.
- 4. Select [Internet Protocol Version 4 (TCP/IP)] and then click the [Properties] button.**  
The "Internet Protocol Version 4 (TCP/IP) Properties" dialog box is displayed.
- 5. Click [Use the following IP address:].**
- 6. Set each item. [IP address]: Enter the address you want to assign to the computer; [Subnet mask]: enter the subnet mask of the subnet; [Default gateway]: enter IP address of the gateway.**  
If you are connecting the computer to an existing network, consult your network administrator.
- 7. Click [OK].**
- 8. Restart the computer.**

### NOTE

If the User Account Control screen is displayed, click [Continue] and then click [Yes].

# Uninstalling TF Editor

You can use the Control Panel to uninstall TF Editor.

Navigate as follows: [Control Panel] → [Programs and Features] or [Uninstall a program], and then double-click the item you want to uninstall.

Follow the on-screen instructions to uninstall the item.

If the User Account Control screen is displayed, click [Continue] and then click [Yes].

# Troubleshooting

## I cannot use TF Editor to operate the console.

- **If you are using a wired connection to connect the computer and console, is the LAN cable connected properly?**  
Connect the computer and console via a switching hub.  
You can also connect the console to the computer directly using a LAN cable. ([→page 5](#))
- **If you are using a wireless connection to connect the computer and console, is the computer's wireless network adaptor configured correctly?**  
Make sure the computer is configured to connect wirelessly to the wireless router, and that the console is connected to the wireless router (or to the same network as the wireless router) using a LAN cable.  
Make sure the computer's wireless network adaptor is turned on. ([→page 5](#))
- **Is there any security software running on the computer?**  
The "firewall" feature of the antivirus or security software installed on the computer may be interfering with the communication between the computer and the console.



Yamaha Pro Audio Global Web Site  
<http://www.yamahaproaudio.com/>  
Yamaha Manual Library  
<http://www.yamaha.co.jp/manual/>

Manual Development Department  
© 2015 Yamaha Corporation

Published 04/2015 CR-A0



## Free Manuals Download Website

<http://myh66.com>

<http://usermanuals.us>

<http://www.somanuals.com>

<http://www.4manuals.cc>

<http://www.manual-lib.com>

<http://www.404manual.com>

<http://www.luxmanual.com>

<http://aubethermostatmanual.com>

Golf course search by state

<http://golfingnear.com>

Email search by domain

<http://emailbydomain.com>

Auto manuals search

<http://auto.somanuals.com>

TV manuals search

<http://tv.somanuals.com>