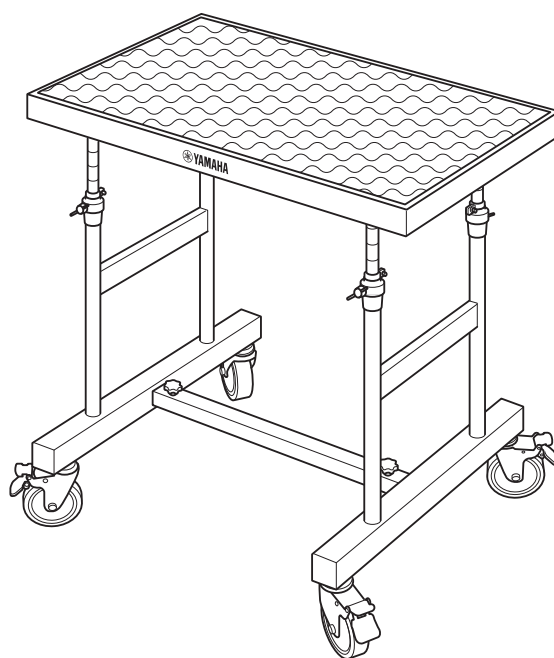


PERCUSSION STAND**YPS200****取扱説明書****Owner's Manual****Benutzerhandbuch****Mode d'emploi****Manual de instrucciones****Manual do Proprietário****Руководство пользователя****使用说明书****使用説明書****사용설명서**

『安全上のご注意』(2 ページ) を必ずお読みください。

Make sure to read the "PRECAUTIONS" on page 2.

Lesen Sie unbedingt die "VORSICHTSMASSNAHMEN" auf Seite 2.

Assurez-vous de lire "PRÉCAUTIONS D'USAGE" à la page 2.

Asegúrese de leer "PRECAUCIONES" en la página 2.

Certifique-se de ler "PRECAUÇÕES" na página 2.

Обязательно прочтите разделы «ПРАВИЛА ТЕХНИКИ БЕЗОПАСНОСТИ» на стр. 2.

务请阅读第 2 页“注意事项”。

請務必詳閱第 2 頁的「注意事項」。

2 페이지의 "안전 주의사항" 을 반드시 읽어 주십시오.

PRECAUTIONS

PLEASE READ CAREFULLY BEFORE PROCEEDING





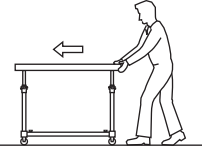






Please keep this manual in a safe and handy place for future reference.

WARNING

Disregarding the warnings with this mark may result in death or serious injury.



Please read the following instructions and explanations on handling before using the percussion stand.

Location		Transporting	
 <p>Do not place the instrument/stand on an unstable surface such as a slope or uneven floor. The instrument/stand may fall or overturn resulting in injury.</p>	<p>When moving the stand on its casters, take care to follow the precautions below.</p>		
Handling	 <p>Move the stand on its casters only along smooth, flat surfaces. The instrument/stand may fall or overturn resulting in injury.</p>		
 <p>Do not lean or climb on the stand. The instrument/stand may fall causing serious injury.</p>	 <p>Hold the stand by its frame end and push forward slowly. The instrument/stand may fall or overturn resulting in injury.</p> 		
 <p>Be sure to make stand height adjustments with the instrument removed from the stand. Changing the height with the instrument on the stand might result in the instrument/stand falling off or overturning, possibly causing injury.</p>	 <p>Do not move the stand on surfaces that are sloped, uneven, or gravelly. The instrument/stand may fall over or get out of control resulting in injury.</p>		
 <p>Do not play around the instrument/stand. Doing so may cause you to bump into the instrument, possibly resulting in injury. It also may cause the instrument to overturn. Do not allow children to play around the instrument/stand.</p>	 <p>Do not run while pushing the stand. The stand may become impossible to stop, crash into a wall, and cause serious injury.</p>		
 <p>Never stand close to the stand during earthquakes. Strong tremors can cause the stand to fall over resulting in injury.</p>			
 <p>Be careful not to injure yourself on the inner and end surfaces of the pipe. Rough surfaces on the end and inside of the pipe can cause injury.</p>			

CAUTION

Disregarding the cautions with this mark may result in personal injury or the loss of personal property.



Lock all casters except when moving or transporting the stand.

Failure to do so might result in the instrument/stand moving or overturning, possibly causing injury.



After moving the stand, check and make sure all screws, bolts, etc., are firmly fastened. Firmly tighten all loose items.

If the stand is often moved, screws, bolts, etc., may become loose.



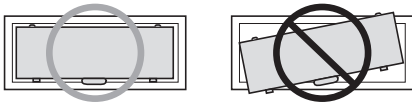
Move the instrument and stand separately when carrying them up or down the stairs.

Otherwise, the instrument and/or parts may fall off the stand, or you may lose balance resulting in serious injury.



When placing the Glockenspiel on the table, do so as shown in the illustrations below.

The instrument/stand may fall or overturn resulting in injury.

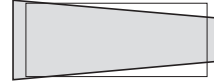


Place the instrument within the frame of the table.



Be careful when placing the instruments (a tabletop xylophone, etc.) other than the Glockenspiel on the table.

The instrument/stand may fall or overturn resulting in injury.



Center the instrument on the table.



Do not place your hand between moving parts.

Otherwise, your hand could be pinched between the parts, possibly resulting in injury.



Do not use any screws other than those in the included accessories.

Otherwise, the instrument/stand may fall or overturn resulting in injury and damage to the instrument itself.



Never use the stand for placing anything other than the Percussion instruments.

Otherwise, the instrument/stand may fall or overturn resulting in injury and damage to the instrument itself.

NOTICE

In order to enjoy long-term use of this product, please read the following notices.

■ Screws

- After final adjustment of the legs all bolts and screws must be tightened securely to prevent loosening. Looseness may cause the stand to shift during performance and can also cause noise and other problems. Retighten the bolts and screws from time to time.

■ Locations

- Use or storage in the following locations may cause damage, even when packaged.
 - In direct sunlight, such as near a window, or in a closed vehicle in daytime.
 - Near heating devices or in other locations subject to excessive heat.
 - In excessively cold environment.
 - In places with excessive humidity or dust.
 - Locations subject to vibrations.
 - Locations where the stand can be exposed to rain or moisture.

■ Transporting

- Handle the stand carefully when moving. Never drop or throw.
- When moving the stand, make sure all casters are unlocked. Lift the stand slightly whenever moving it over surfaces that are not smooth or flat.

■ Casters

- After the performance position is fixed, lock the casters. Moreover, when not using, lock the casters.
- When locking and unlocking the casters, be careful not to pinch your fingers.

* We recommend that you lock or unlock the casters by using your forefoot or toes.

■ Maintenance

- Never use thinner or benzene to clean. Doing so may discolor the finish. Wipe the stand with a soft, dry cloth.

INFORMATION

- The illustrations as shown in this manual are for instructional purposes only and may appear somewhat different from those on your instrument.
- The company and product names in this manual are trademarks or registered trademarks of their respective companies.

Introduction

Thank you for purchasing the Yamaha Percussion Stand YPS200. YPS200 is a stand for percussion instruments with casters. It can be used as the stand of a box type glockenspiel or a tabletop xylophone, or a table for placing small percussion instruments, mallets, etc.

To get full use of this product and enjoy optimal performance, please read this owner's manual carefully before using the units.

After you have read the manual, keep it in a safe and handy place for future reference.

Confirmation of Packing Contents

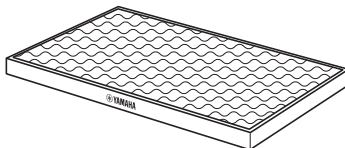
The shipping package of the YPS200 should contain the parts shown below. Before assembling the instrument, confirm that all parts are included as listed.

* If a part is missing, please contact your dealer or qualified Yamaha service personnel.

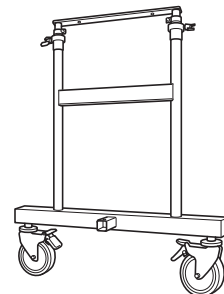
① Owner's Manual (this document) × 1



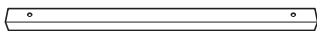
② Table × 1



③ Legs × 2



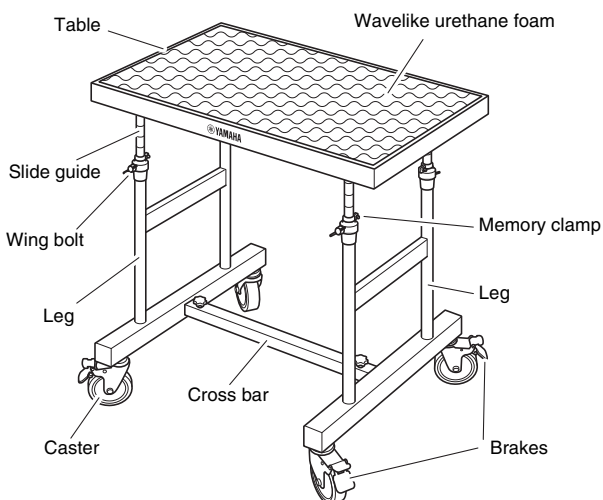
④ Cross bar × 1



⑤ Knob bolts × 6

⑥ Tuning key × 1

Part Names



● SPECIFICATIONS

Table size (W × D × H):

836 × 546 × 38 mm

Table inside dimensions (W × D):

810 × 520 mm

Height (from floor to upper surface of table):

735 – 1095 mm

Weight:

15.4 kg

* The contents of this manual apply to the latest specifications as of the publishing date. To obtain the latest manual, access the Yamaha website and download the manual file.

Assembly



CAUTION

When assembling the instrument, always use two or more people.

- Assemble the instrument in a place where there is sufficient room.

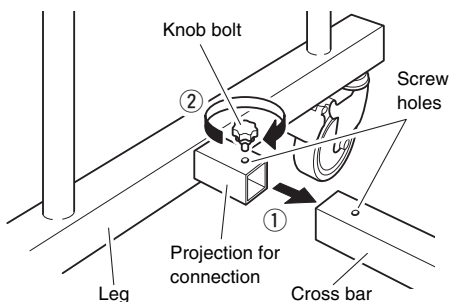


CAUTION

For safety reasons, do not unlock the casters until the assembly is completed.

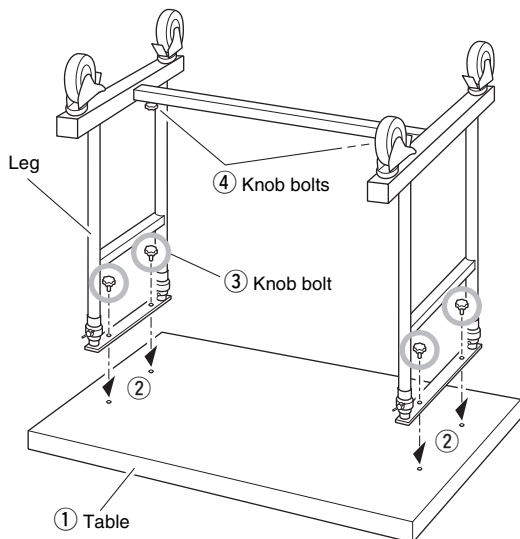
1. Connect the two legs with the cross bar.

- ① Insert the projections for connection of the legs into both ends of the cross bar. At this time, also align the position of each screw hole on the legs and the cross bar.
- ② Using the two knob bolts, temporarily secure the legs and the cross bar.



2. Connect the legs to the table.

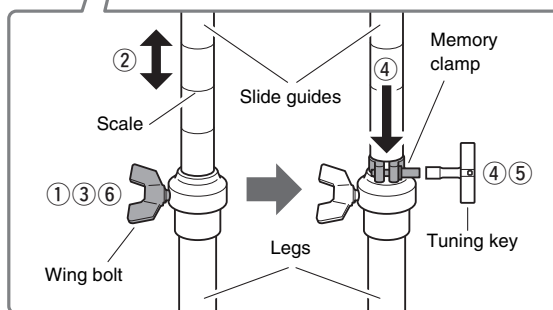
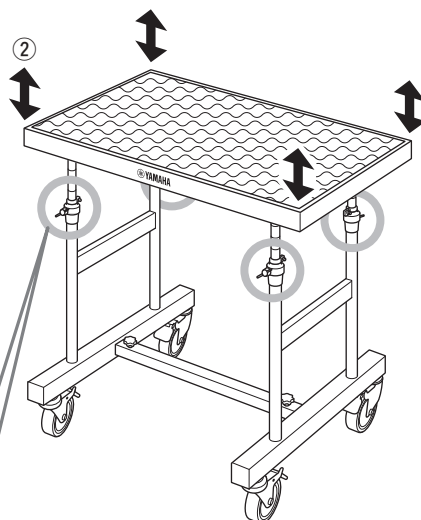
- ① Place the table of the stand upside down on a piece of cardboard or a cloth spread out on the floor to protect the floor from scratches.
- ② Align the position of each screw hole on the bottom of the table and the legs.
- ③ Using the four knob bolts, secure the table and the legs.
- ④ Tighten the two knob bolts secured in step 1-②.



3. Position the stand upright while being careful to avoid overturning or falling.

4. Adjust the height of the table.

- ① Loosen the four wing bolts of the legs.
- ② Adjust the height of the slide guides. At this time, align all four scales of the slide guides.
- ③ Using the four wing bolts, secure the slide guides.
- ④ Loosen each screw of the four memory clamps by using a tuning key, and then move the memory clamps to the boundary line of the leg and the slide guide.
- ⑤ Tighten each screw of the four memory clamps by using a tuning key.
- ⑥ Tighten the four wing bolts of the legs firmly.



5. Make sure all bolts and screws are tightened securely.

The assembly is now complete.



To disassemble, follow the assembly steps in reverse order.

MEMO

MEMO

YAMAHA CORPORATION

10-1 Nakazawa-cho, Naka-ku,
Hamamatsu, 430-8650 Japan

ヤマハ株式会社

〒430-8650 静岡県浜松市中区中沢町10-1

Manual Development Group

© 2022 Yamaha Corporation

Published 01/2022

2022年1月发行

POOE-A0

保护环境

如果需要废弃设备时，请与本地相关机构联系，
获取正确的废弃方法。

请勿将设备随意丢弃或作为生活垃圾处理。

VFK5440

Free Manuals Download Website

<http://myh66.com>

<http://usermanuals.us>

<http://www.somanuals.com>

<http://www.4manuals.cc>

<http://www.manual-lib.com>

<http://www.404manual.com>

<http://www.luxmanual.com>

<http://aubethermostatmanual.com>

Golf course search by state

<http://golfingnear.com>

Email search by domain

<http://emailbydomain.com>

Auto manuals search

<http://auto.somanuals.com>

TV manuals search

<http://tv.somanuals.com>