

EN

User Manual

2

USER MANUAL

Cooler

ZRG11600WA

ZANUSSI

Contents

Safety information.....	2	Cautions	8
Safety instructions	3	Changing the bulb	8
Product description.....	5	Maintenance	8
Correctly positioning.....	5	Troubleshooting.....	9
Using your refrigerator.....	6	Electrical connection.....	10
Door reversibility.....	7	Environmental concerns.....	11

Subject to change without notice.



Safety information

Before the installation and use of the appliance, carefully read the supplied instructions. The manufacturer is not responsible if an incorrect installation and use causes injuries and damages. Always keep the instructions with the appliance for future reference.

Children and vulnerable people safety

- This appliance can be used by children aged from 8 years and above and persons with reduced physical, sensory or mental capabilities or lack of experience and knowledge if they have been given supervision or instruction concerning use of the appliance in a safe way and understand the hazards involved.
- Do not let children play with the appliance.
- Keep all packaging away from children.
- Cleaning and user maintenance shall not be made by children without supervision.

General Safety

- This appliance is intended to be used in household and similar applications such as:
 - Farm houses; staff kitchen areas in shops, offices and other working environments
 - By clients in hotels, motels, bed and breakfast and other residential type environments
- Keep ventilation openings, in the appliance enclosure or in the built-in structure, clear of obstruction.

- Do not use mechanical devices or other means to accelerate the defrosting process, other than those recommended by the manufacturer.
- Do not damage the refrigerant circuit.
- Do not use electrical appliances inside the food storage compartments of the appliance, unless they are of the type recommended by the manufacturer.
- Do not use water spray and steam to clean the appliance.
- Clean the appliance with a moist soft cloth. Only use neutral detergents. Do not use abrasive products, abrasive cleaning pads, solvents or metal objects.
- Do not store explosive substances such as aerosol cans with a flammable propellant in this appliance.
- If the supply cord is damaged, it must be replaced by the manufacturer, its service agent or similarly qualified persons in order to avoid a hazard.
- If the appliance is equipped with an Ice maker or a water dispenser, fill them with potable water only.
- If the appliance requires a water connection, connect it to potable water supply only.
- The inlet water pressure (minimum and maximum) must be between 1 bar (0,1 MPa) and 10 bar (1 MPa).

Safety Instructions

Installation



WARNING!

Only a qualified person must install this appliance.

- Remove all the packaging.
- Do not install or use a damaged appliance.
- Obey the installation instruction supplied with the appliance.
- Always be careful when you move the appliance because it is heavy. Always wear safety gloves.
- Make sure the air can circulate around the appliance.
- Wait at least 4 hours before connecting the appliance to the power supply. This is to allow the oil to flow back in the compressor.
- Do not install the appliance close to radiators or cookers, oven or hobs.
- The rear of the appliance must stand against the wall.
- Do not install the appliance where there is direct sunlight.
- Do not install this appliance in areas that are too humid or too cold, such as the construction appendices, garages or wine cellars.
- When you move the appliance, lift it by the front edge to avoid scratching the floor.

Electrical connection



WARNING!

Risk of fire and electrical shock.

- The appliance must be earthed.
- All electrical connections should be made by a qualified electrician.
- Make sure that the electrical information on the rating plate agrees with the power supply. If not, contact an electrician.
- Always use a correctly installed shockproof socket.
- Do not use multi-plug adapters and extension cables.
- Make sure not to cause damage to the electrical components (e.g. mains plug, mains cable, compressor). Contact the Service or an electrician to change the electrical components.
- The mains cable must stay below the level of the mains plug.
- Connect the mains plug to the mains socket only at the end of the installation. Make sure that there is access to the mains plug after the installation.
- Do not pull the mains cable to disconnect the appliance. Always pull the mains plug.

Use



WARNING!

Risk of injury, burns, electrical shock or fire.

- Do not change the specification of this appliance.
- Do not put electrical appliances (e.g. ice cream makers) in the appliance unless they are stated applicable by the manufacturer.
- Be careful not to cause damage to the refrigerant circuit. It contains isobutane (R600a), a natural gas with a high level of environmental compatibility. This gas is flammable.
- If damage occurs to the refrigerant circuit, make sure that there are no flames and sources of ignition in the room. Ventilate the room.
- Do not let hot items to touch the plastic parts of the appliance.
- Do not put soft drinks in the freezer compartment. This will create pressure on the drink container.
- Do not put flammable products or items that are wet with flammable products in, near or on the appliance.
- Do not touch the compressor or the condenser. They are hot.

- Do not remove or touch items from the freezer compartment if your hands are wet or damp.
- Do not freeze again food that has been thawed.
- Obey the storage instructions on the packaging of frozen food.

Internal light

- The type of light bulb or halogen lamp used for this appliance, is only for household appliances. Do not use it for house lighting.

Care and cleaning



WARNING!

Risk of injury or damage to the appliance.

- Before maintenance, deactivate the appliance and disconnect the mains plug from the mains socket.
- This appliance contains hydrocarbons in the cooling unit. Only a qualified person must do the maintenance and the recharging of the unit.
- Regularly examine the drain of the appliance and if necessary, clean it. If the drain is blocked, defrosted water collects in the bottom of the appliance.

Disposal

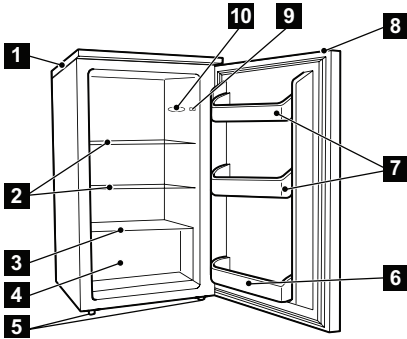


WARNING!

Risk of injury or suffocation.

- Disconnect the appliance from the mains supply.
- Cut off the mains cable and discard it.
- Remove the door to prevent children and pets to be closed inside of the appliance.
- The refrigerant circuit and the insulation materials of this appliance are ozone-friendly.
- The insulation foam contains flammable gas. Contact your municipal authority for information on how to discard the appliance correctly.
- Do not cause damage to the part of the cooling unit that is near the heat exchanger.

Product description



Parts and features

- 1** Top cover
- 2** Removable glass shelves
- 3** Glass panel
- 4** Crisper
- 5** Levelling legs
- 6** Lower rack
- 7** Bottle blind rack
- 8** Recessed handle
- 9** Light switch
- 10** Light



NOTE: This figure is only a sketch of the refrigerator, the actual product may differ from it.



WARNING!

Keep ventilation openings, in the appliance enclosure or in the built-in structure, clear of obstruction.

Do not use mechanical devices or other means to accelerate the defrosting process.

Do not use electrical appliances inside the food storage compartments of the appliance.

Correctly positioning

Well ventilating

There is need of good ventilation around the refrigerator for easy dissipation of heat, high efficiency of refrigeration and low power consumption.

For this purpose, sufficient clear space should be needed around the refrigerator, its back is at least 100mm away from the wall, its sides at least have a space of 200mm separately and the height from over its top is not less than 300mm. A clear space should be left to open its doors to 160°.

Power supply

The refrigerator is only applied with power supply of single phase alternating current (See the rating label).

If fluctuation of voltage in the district user is of so large that the voltage exceeds the scope, for safety sake, be sure to apply A.C. automatic voltage regulator to the refrigerator. The refrigerator must employ a special power socket instead of common one other electric appliances. Its plug must match the socket with ground wire.

Power line cord

The cord should be neither lengthened nor folded into coil during operation. Moreover, it is forbidden that cord is kept close onto the compressor at the back of the refrigerator, the surface temperature of which is quite high when operating. Touching with it would deactivate the insulation or cause leakage for electricity. Extension cord is not recommended to use. The appliance must be positioned so that the plug is accessible.



WARNING!

If the power cord is damaged, it must be replaced by the manufacturer or its service agent or a similarly qualified person in order to avoid a hazard.

Protection from moisture

Avoiding placing the refrigerator in a place where heavy moisture is present so as to minimize possibility of rusty for its metal parts. Still more, the refrigerator is forbidden to be directly sprayed by water, otherwise, poor insulation and current leakage would occur.

Protection from heat

The refrigerator should be far away from any heat source or direct sunshine.

Fixing stable

Floor on which refrigerator will be placed must be flat and solid. It should not be laid on any soft material such as foam plastic, etc. If the refrigerator is not on the same level, adjust the screws suitably. The refrigerator should not be placed near anything which may echo.

Keep a way from danger

It is inadvisable that the refrigerator is placed near any volatilizable or combustibles such as gas, petrol, alcohol, lacquer and banana oil, etc. The above-mentioned objects can not be stored in the refrigerator.

Moving

When fixed or moved, the refrigerator can not be set horizontally or declined to more than 45° or upside-down.

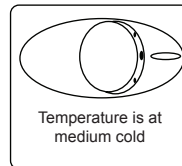
Using your refrigerator

Temperature control

- The first time you turn the unit on, set the temperature control to "7" position.
- The settings of the temperature control are "0,1,2,3,4,5,6,7". After 20 minutes, adjust the temperature control setting to "4". The setting of "4" should be correct for home or office use
- To turn the refrigerator off, turn the temperature control to "0".



NOTE: Turning the temperature control to "0" position stops the cooling cycle, but does not shut off the power to the refrigerator.



- If the unit is unplugged, power lost, or turned off, you must wait 3 to 5 minutes before restarting the unit. If you attempt to restart before this time delay, the refrigerator will not start.
- You should put your appliance in the coolest place in your room, which can save energy consumption of your appliance. If the environment temperature is too high, the temperature in the refrigerator may not get the target temperature.

Door reversibility

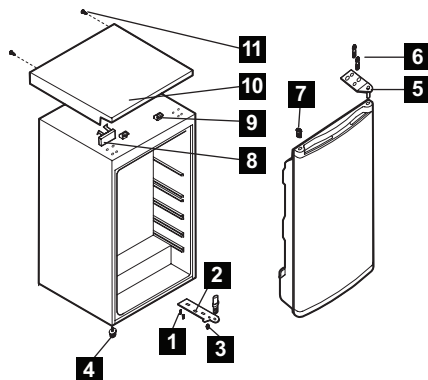
This refrigerator has the capability of either opening the door from the left or right side. This unit is delivered to you with the door opening from the left side. Should you desire to reverse the opening direction, please follow these instructions.

i NOTE: All parts removed must be saved to do the reinstallation of the door.

Reversal Refrigerator Door

1. Remove the screw nails (11).
2. Keep the door open, raise the end of the top cover, push it (10) forward and take it off from the block (9) of the top cover, then move the bottom block (8).
3. Remove the two screws (6) that connect the upper hinge (5) on the right side of the cabinet top.
4. Carefully lift the door and place it on a padded surface to prevent scratching.
5. Remove the plug (7) and transfer it to the uncovered hole on the right side of the unit. Be sure to press the button firmly into the hole.
6. Remove the two screws (6) that hold the lower hinge (2) on the right side of the unit.
7. Remove the screw-type leveling front leg (4) and transfer it to the right side as shown in the adjacent figure.
8. Set the door into its new place making sure the pin enters the bushing at the lower frame section (hole).
9. Secure the upper hinge (5) previously removed in step 3 on the left side of the unit. Make sure the pin enters the bushing on the upper frame section (hole).
10. Loosely secure the lower left hinge (2) and do not tighten the bolts until the door is in the closed position and leveled.
11. Insert the plug (7) on the uncovered holes (right side).
12. Fix the decoration block (8) in the right of the top cover plate (10).

13. Keep the door open, raise the end of the top cover, pull it (10) backwards to hitch the block (9).
14. After the assembly of the top cover, close the door, fix the top cover (10) with the screw (11).



- 1 Screw
- 2 Low hinge
- 3 Upper hinge
- 4 Adjustable low foot
- 5 Adjustable high foot
- 6 Screw bolt
- 7 Plug
- 8 Decoration block
- 9 The block of the top cover
- 10 Top cover plate
- 11 Screw nail

Cautions

Defrosting

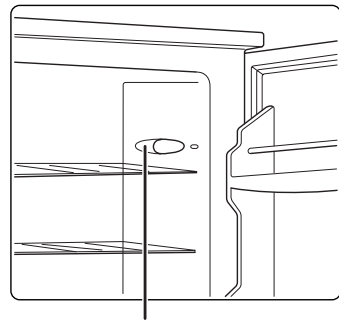
The fridge defrosts automatically

The rear wall of the fridge covers with frost when the compressor is running, and defrosts when the compressor is off. The water from the thawing frost evaporates by itself. If the supply cord of this appliance is damaged, it must only

be replaced by professional person or the repair shop appointed by the manufacturer. Before you throw away your old refrigerator: take off the door, leave the shelves in place, so that children may not easily climb inside it. Never allow children to operate, play with, or crawl inside the appliance.

Changing the bulb

- UNPLUG FROM THE MAINS.
- The electric light bulb is inside, at the top of the refrigerator.
- Remove the shelves and any food/drink.
- Take plastic cover off and unscrew the light bulb anticlockwise to remove.
- Replace with a new **1,5 watt 220/240volt bulb**.



Electric light bulb just behind the temperature control.

Maintenance

- The refrigerator should be cleaned and maintained once a month.
- When performing maintenance, make absolutely sure that the power plug is first disconnected from the power outlet.
- Wipe the inner and outer surface of the refrigerator and its accessories with wet cloth. If they are too dirty, scrub them with neutral detergent, and then clean them with water and dry them with clean cloth. After this, a small quantity of glass wax is recommended to polish the refrigerator surface with a flannelette.
- For cleaning, don't use hot water, diluent, petrol, alcohol, kerosene, washing powder, cleanser, alkaline detergent, acid, Chemical cloth, etc. So as not to damage the lacquer coat and plastics. It is forbidden that the refrigerator is directly sprayed with water. Otherwise, it would cause rusty or weaken the insulation.
- Be careful to upkeep the sealing rubber bars of the doors. They should always be cleaned.
- If the plastic parts in refrigerator remain contaminated for a long time by oil (animal or vegetable), they will be easy aged and possibly cracked. The drain pan gets dirty very easily if it is not cleaned regularly, bad odours will be produced, get into the habit of cleaning this pan regularly.

Troubleshooting

- 1. When the refrigerator does not work.**
Check if there is a power failure. Check if the power plug is plugged into the power outlet. Check that the fuse has not blown.
- 2. When the refrigerator is cooling excessively.** The temperature control dial may be set too high.
- 3. When the refrigerator is not cooling sufficiently.** The food may be packed too tightly together which will block the flow of cool air. You may have put something hot or a lot of food stuffs into the refrigerator. The door may not have been closed properly. The door gaskets may be damaged. The refrigerator may not be ventilated. There may be insufficient clearance between the refrigerator and the surfaces immediately both sides and above. The temperature control dial may not be set properly.
- 4. When the defrosting water overflows inside the refrigerator and onto the floor.**
Check that the drain pipe and the drain hose are not clogged. Check that the drain pan is housed properly.
- 5. When the refrigerator's cabinet front heats up.** In order to safeguard against condensation, there is an anticondensation pipe which heats up the cabinet front when running actuated. A warm cabinet front does not indicate a malfunction.
- 6. When condensation form on the outside of the refrigerator.** Condensation may form on the outside when the humidity is high such as during a wet season. This is the same result as the condensation formed when chilled water is poured into a glass. It does not, therefore, indicate a failure, wipe dry with a dry cloth.
- 7. When you hear a sound like water flowing.** A sound like water flowing is the refrigerant flowing. It does not indicate a malfunction.
- 8. When the cabinet's side panel heats up.** The side panel of the cabinet will heat up when the door is opened or closed frequently, when starting the unit and when the unit operates in summer with high ambient outside temperature. In such case, do not touch the panel, it results from the dissipation of the heat from inside the cabinet, and it does not mean that something is wrong with the refrigerator.

Electrical connection



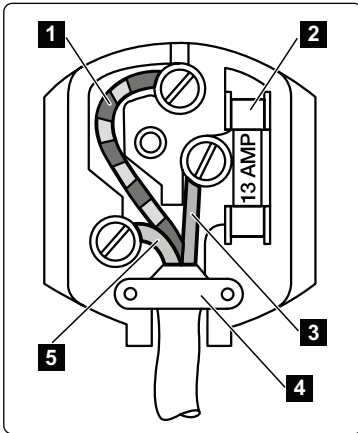
CAUTION!

Any electrical work required to install this appliance should be carried out by a qualified electrician or competent person.



WARNING!

This appliance must be earthed. The manufacture declines any liability should these safety measures not be observed.



IMPORTANT!

The wires in the mains lead are colored in accordance with the following code:

- 1** Green and Yellow: Earth
- 3** Brown: Live
- 5** Blue: Neutral

As the colours of the wires in the mains lead of this appliance may not correspond with the coloured markings identifying the terminals in your plug, proceed as follows:

1. Connect the wire coloured green and yellow to the terminal marked either with the letter "E" or by the earth symbol \oplus or coloured green and yellow.
2. Connect the wire coloured blue to the terminal either marked with the letter "N" or coloured black.
3. Connect the wire coloured brown to the terminal either marked with the letter "L" or coloured red.
4. Check that no cut, or stray strands of wire is present and the cord clamp **4** is secure over the outer sheath.
5. Make sure the electricity supply voltage is the same as that indicated on the appliance rating plate.
6. Switch on the appliance.

The appliance is supplied with a 13 amp plug fitted **2**. In the event of having to change the fuse in the plug supplied, a 13 amp ASTA approved (BS 1362) fuse must be used.




WARNING!

A cut off plug inserted into a 13 amp socket is a serious safety (shock) hazard. Ensure that it is disposed of safely.

Environmental concerns




The symbol  on the product or on its packaging indicates that this product may not be treated as household waste. Instead it should be taken to the appropriate collection point for the recycling of electrical and electronic equipment.

By ensuring this product is disposed of correctly, you will help prevent potential negative consequences for the environment and human health, which could otherwise be caused by inappropriate waste handling of this product.

For more detailed information about recycling of this product, please contact your local council, your household waste disposal service or the shop where you purchased the product.

Packaging materials

The materials with the symbol  are recyclable. Dispose of the packaging in suitable collection containers to recycle it.

Disposal of the appliance

1. Disconnect the mains plug from the mains socket.
2. Cut off the mains cable and discard it.



www.zanussi.com/shop



CE

Free Manuals Download Website

<http://myh66.com>

<http://usermanuals.us>

<http://www.somanuals.com>

<http://www.4manuals.cc>

<http://www.manual-lib.com>

<http://www.404manual.com>

<http://www.luxmanual.com>

<http://aubethermostatmanual.com>

Golf course search by state

<http://golfingnear.com>

Email search by domain

<http://emailbydomain.com>

Auto manuals search

<http://auto.somanuals.com>

TV manuals search

<http://tv.somanuals.com>