

BELKIN®

— PURE|AV —

Home Theater Battery Backup with AVR Technology
Batterie de secours avec technologie AVR pour cinéma maison

User Manual Guide d'utilisation



AP30800fc10-BLK

Table of Contents

	Page
Introduction	2
Package Contents	2
Belkin PureAV Battery Backup Features and Functions	3
Alarms	4
Product Features	5
Installation.....	6-7
Troubleshooting.....	8
Technical Specifications	9
Storage	9
Belkin Connected Equipment Warranty	10-12
Information	13

Introduction

Congratulations and thank you for purchasing the Belkin PureAV Home Theater Battery Backup with AVR Technology (the Belkin PureAV Battery Backup). Frequent electrical disturbances, both natural and man-made, degrade the quality of power supplied to your home theater system. Brownouts or blackouts can cause you to lose your complex settings, and ultimately damage your valuable equipment along with the overall quality of your home theater experience. In addition to providing battery power in case of a blackout, our Belkin PureAV Battery Backup provides outstanding surge protection and power conditioning while ensuring that you experience the clearest picture and cleanest sound directly from the source.

Please save this manual.

It contains important operating instructions and warranty information pertaining to your Belkin PureAV Battery Backup.

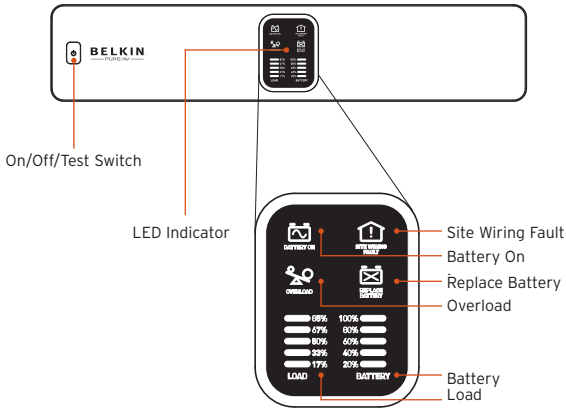
Please save or recycle the packaging materials

The Belkin PureAV Battery Backup packaging is designed with great care to provide protection during shipment and delivery. Please keep the packaging materials in the unlikely event that you must return this product for service. Damage sustained during transit is not covered under the warranty.

Package Contents

- 1 Belkin PureAV Battery Backup unit
- 2 Rack-Mount Brackets
- User manual

Belkin PureAV Battery Backup Features and Functions



Indicator	Condition	Meaning
BATTERY ON (Green LED)	○ Solid Green	The Belkin PureAV Battery Backup is on battery-backup mode and an intermittent audible alarm is on. The Battery Backup will begin shutdown procedure.
	☀ Flashing Green	Battery is low. The Belkin PureAV Battery Backup will start shutdown. The buzzer sounds an audible alarm.
OVERLOAD (Yellow LED)	○ Solid Yellow	The Belkin PureAV Battery Backup shut down due to an overload or short-circuit condition.
	☀ Flashing Yellow	Battery output is drawing more power than the Battery Backup can provide.
REPLACE BATTERY (Red LED)	○ Solid Red	Battery is weak or bad; the battery needs to be replaced.
SITE WIRING FAULT (Red LED)	○ Solid Red	There is either no ground circuit or a reversed polarity in the building wiring.
LOAD (Yellow LED)	○ Solid Yellow	This display shows the Belkin PureAV Battery Backup output load percentage level of 17%, 33%, 50%, 67%, and 85%.
BATTERY (Green LED)	○ Solid Green	This display shows the battery capacity percentage level of 20%, 40%, 60%, 80%, and 100%.

Alarms

Battery Backup (Slow Alarm)

When the Belkin PureAV Battery Backup is in battery-backup mode, the "Battery On" LED (green) illuminates and the Belkin PureAV Battery Backup sounds an audible alarm. The alarm stops when the Belkin PureAV Battery Backup returns to normal online operation.

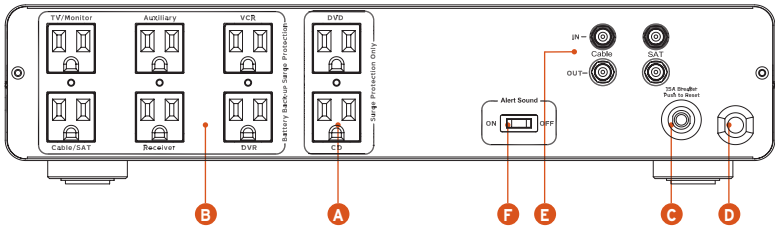
Low Battery (Rapid Alarm)

When the Belkin PureAV Battery Backup is in battery-backup mode and the battery's energy begins to run low, the Belkin PureAV Battery Backup will beep rapidly until it shuts down from a depleted battery or returns to online normal operation.

Overload (Continuous alarm)

When the Belkin PureAV Battery Backup is overloaded (the connected loads exceed the maximum rated capacity), the Belkin PureAV Battery Backup emits a continuous alarm to warn of an overload condition. Disconnect nonessential equipment from the Belkin PureAV Battery Backup to eliminate the overload.

Product Features



Rear Panel

A. Surge-Protection-Only Outlets

Equipment such as printers, fax machines, scanners, or desk lamps can be plugged into these outlets. These outlets do not provide power during a power outage. These outlets are always on (when AC power is available) and are not controlled by the front-panel switch.

B. Battery-Backup Surge-Protection Outlets

Only critical equipment such as TVs, DVRs, cable/satellite receivers, VCRs, and other hardware that could potentially lose settings should be plugged into these outlets. Battery power is automatically provided in case of a power outage. Power (AC or battery) is not supplied to these outlets when the Belkin PureAV Battery Backup is switched off. (Do not plug surge protectors or power strips into the battery backup outlets.)

Note: During the AVR Mode, the total load that you will be placing on the battery-backup outlets should not exceed 85% of the unit's capacity.

C. AC Input Breaker (Circuit Breaker)

The circuit breaker button will be triggered if an overload condition forces the Belkin PureAV Battery Backup to disconnect itself from utility power. If the button sticks out, disconnect nonessential equipment and depress breaker to reset.

D. AC Input Power Cord

E. Audio Video Surge Protection Ports

F. Alert Sound ON/OFF Switch

This switch turns the audible alarm ON or OFF.

Installation

Note:

Before installation, please inspect the Belkin PureAV Battery Backup upon receipt to make sure it is not damaged.

Connect To AC Utility Power

Connect the AC inlet to utility power via the power cord. Check whether the "Site Wiring Fault" indicator is lit or not. If so, please check the utility wiring.

Charging The Battery

For best results, charge the battery for eight hours prior to initial use. The Belkin PureAV Battery Backup charges its battery whenever it is connected to the utility power.

Plug In Power Devices

Plug your devices into the AC outlets on the rear of the Belkin PureAV Battery Backup. To use the Belkin PureAV Battery Backup as a master on/off switch, make sure all of the loads are switched on.

Caution: never connect a laser printer or scanner to the battery-backup outlets of the Belkin PureAV Battery Backup. A laser printer or scanner draws significantly more power when in use than when idle. This may overload the Belkin PureAV Battery Backup.

Turning On the Belkin PureAV Battery Backup

Turn on your Belkin PureAV Battery Backup by pressing and holding the "On/Off/Test" button for approximately two seconds until the green "ON LINE" light comes on.

Turning Off the Belkin PureAV Battery Backup

Turn off the Belkin PureAV Battery Backup by pressing and holding the "On/Off/Test" button for more than two seconds until the "ON LINE" or "ON BATTERY" light goes off.

To Conduct a Self-test

Use the self-test to verify both the operation of the Belkin PureAV Battery Backup and the condition of the battery. In normal utility power, push the "On/Off/Test" button less than 1.5 seconds and the Belkin PureAV Battery Backup performs a self-test function. During the self-test, the Belkin PureAV Battery Backup operates in backup mode.

Note: During the self-test, the Belkin PureAV Battery Backup briefly operates on battery-backup power (the "ON BATTERY" LED comes on). If the Belkin PureAV Battery Backup passes the self-test, it returns to online operation. If the Belkin PureAV Battery Backup fails the self-test, it immediately returns to online operation and lights the "REPLACE BATTERY" LED. The loads are not affected. Recharge the battery overnight and perform the self-test again. If the "REPLACE BATTERY" LED is still on, the battery will need to be replaced. Please contact Belkin Customer Service for assistance.

Installation

To Silence Audible Alarm

There are two ways to disable the audible alarm:

1. Set the Alert Sound ON/OFF Switch to the OFF position. When in the OFF position, the audible alarm will not sound when the Belkin PureAV Battery Backup is in the backup mode.
2. While the Battery Backup is in battery-backup mode, push the "ON/OFF/TEST" button less than 1.5 seconds to silence the audible alarm. (This does not work if the Belkin PureAV Battery Backup is under low-battery or overload condition.)

All equipment must be turned off prior to hardware installation.

Connect Audio Video Coaxial Cable

Connect a modular coaxial cable between the cable wall outlet and the surge protector jack marked "IN". Connect another coaxial cable between the surge protector jack marked "OUT" and the cable equipment or cable modem being protected.

*All equipment must be turned off prior to hardware installation.

Troubleshooting

Problem	Possible Cause	Solution
Belkin PureAV Battery Backup not on, LED not lit	On/Off/Test button not pushed or pushed less than 2 seconds	Press the On/Off/Test button for more than 2 seconds
	Battery voltage is too low	Recharge the Battery Backup at least 8 hours
	Battery Backup fault	Contact Belkin Customer Service
Belkin PureAV Battery Backup always on battery mode	Power cord loose	Re-plug the power cord
	AC breaker is burned out or tripped	Replace or reset the breaker
	AC utility voltage is too high or too low, or there is a blackout	Normal condition
Backup time too short	Battery not fully charged	Recharge the Battery Backup at least 8 hours
	Battery Backup is overloaded	Remove some unnecessary loads
	Charger fault or other reason	Replace battery. Contact Belkin Customer Service or go to belkin.com .
The Belkin PureAV Battery Backup continuously beeps	Overload	Remove the non-critical loads
Red LED lit	Battery failure	Replace battery. Contact Belkin Customer Service or go to belkin.com .

Technical Specifications

Model		AP30800fc10-BLK
INPUT	Capacity	1200VA/640W
	Voltage Range	90-136VAC
	Frequency	60Hz (±3Hz)
OUTPUT	Voltage	Simulated sine wave, 120VAC ±8%
	Frequency (On Battery)	60Hz (±1Hz)
BATTERY	Backup time 15%-100% load	1.5~40 min.
	Typical Recharge Time	≤ 12 hours recover 85% capacity
ENVIRONMENT	Ambient Operation	0~85% humidity non-condensing, 0~35°C
CONFORMANCE	Surge	IEEE C62.41 Category A standard
PHYSICAL	Dimensions (W x H x D)	435mm x 88mm x 330mm
	Net Weight	14.5kg.

All specifications are subject to change without prior notice.

Storage

Storage Conditions

Store the Belkin PureAV Battery Backup covered and upright in a cool, dry location with its battery fully charged. Before storing, charge the Belkin PureAV Battery Backup for at least four hours.

Extended Storage

During extended storage in environments where the ambient temperature is +5 degrees to +86 degrees F, charge the Belkin PureAV Battery Backup's battery every six months. During extended storage in environments where the ambient temperature is +86 degrees F to +113 degrees F, charge the Belkin PureAV Battery Backup's battery every three months.

Belkin Connected Equipment Warranty

Belkin International, Inc. ("Belkin") warrants to the original purchaser of any Belkin PureAV Battery Backup for three years from the date of purchase, that the Belkin PureAV Battery Backup shall be free of defects in design, assembly, material, or workmanship, and will repair or replace, at its option, any defective product free of charge.

Belkin will repair or replace, at its option, any equipment which is damaged by a transient voltage surge/spike or lightning strike, (an "Occurrence"), while properly connected through a Belkin PureAV Battery Backup to a properly wired AC power line with protective ground. If you are using an AC Belkin PureAV Battery Backup that has phone, network, or coaxial protection, the telephone line, network line, and coaxial-cable line must be properly connected and installed, as determined by Belkin at its sole discretion.

This Connected Equipment Warranty is a Limited Warranty, subject to the limitations and exclusions set forth herein.

Belkin will spend, to repair or replace the damaged connected equipment, at Belkin's option, an amount equal to the fair market value of the damaged equipment or the original purchase price of the equipment, whichever is less, up to the maximum amount set forth below:

Model AP30800fc10-BLK Up to a maximum of \$500,000.00

The fair market value of the equipment shall be the current value of the equipment specified in the most recent edition of the Orion Blue Book by Orion Research Corporation, Roger Rohrs Publisher.

Belkin reserves the right to review the damaged Belkin PureAV Battery Backup, the damaged equipment, and the site where the damage occurred. All costs of shipping the Belkin PureAV Battery Backup and the damaged equipment to Belkin for inspection shall be borne solely by the purchaser. Belkin reserves the right to negotiate the cost of repairs. If Belkin determines, in its sole discretion, that it is impractical to ship the damaged equipment to Belkin, Belkin may designate, in its sole discretion, an equipment repair facility to inspect and estimate the cost to repair such equipment. The cost, if any, of shipping the equipment to and from such repair facility and of such estimate shall be borne solely by the purchaser. Damaged equipment must remain available for inspection until the claim is finalized. Whenever claims are settled, Belkin reserves the right to be subrogated under any existing insurance policies the claimant may have.

Belkin Connected Equipment Warranty

All above warranties are null and void if: the Belkin PureAV Battery Backup in use during the occurrence is not provided to Belkin for inspection upon Belkin's request at the sole expense of the purchaser, Belkin determines that the Belkin PureAV Battery Backup has been improperly installed, altered in any way or tampered with, Belkin determines that the damage did not result from the Occurrence or that no Occurrence in fact took place, the repair or replacement of the damaged equipment is covered under a manufacturer's warranty, or Belkin determines that the connected equipment was not used under normal operating conditions or in accordance with any labels or instructions. All Belkin PureAV Battery Backups must be plugged directly into the power source and must not be "daisy-chained" together in serial fashion with other power strips, UPSes, other surge protectors or extension cords. A 3-2-prong adapter may not be used. Any such installation voids the warranty. The Belkin Connected Equipment Warranty only protects against damage to properly connected equipment where Belkin has determined, in its sole discretion, that the damage resulted from an Occurrence, and does not protect against acts of God (other than lightning) such as flood, earthquake, war, vandalism, theft, normal-use wear and tear, erosion, depletion, obsolescence, abuse, damage due to low voltage disturbances (i.e. brownouts or sags), non-authorized program, or system equipment modification or alteration. *Please note: This product is not for use with aquariums and all other water-related products. Use only indoors and in dry locations.

This warranty contains the sole warranty of Belkin, there are no other warranties, expressed or, except as required by law, implied, including the implied warranty or condition of quality, merchantability or fitness for a particular purpose, and such implied warranties, if any, are limited in duration to the term of this warranty. Some states do not allow limitations on how long an implied warranty lasts, so the above limitations may not apply to you.

In no event shall Belkin be liable for incidental, special, direct, indirect, consequential or multiple damages such as, but not limited to, lost business or profits arising out of the sale or use of any Belkin PureAV Battery Backup, even if advised of the possibility of such damages. This warranty gives you specific legal rights, and you may also have other rights, which may vary from state to state. Some states do not allow the exclusion or limitation of incidental or consequential damage, so the above limitations may not apply to you.

Belkin Connected Equipment Warranty

This warranty is valid only for the original purchaser of the product. All damage claims against the product must be made within 15 days from the date of the Occurrence and must be accompanied by a receipt for the damaged equipment or the warranty is void. Warranty is valid in USA, Canada, Puerto Rico, and Bermuda. To file a claim against the Belkin Connected Equipment Warranty, you must take the following steps: Contact Belkin online at www.belkin.com and print our claim form or write to us at:

Belkin International, Inc., 501 W. Walnut St., Compton CA 90220

Attn: Technical Support, or call (310) 898-1100, extension 2263, within 15 days of the Occurrence. Be prepared to provide the following information:

- a. The part number of the Belkin PureAV Battery Backup.
- b. The equipment that was connected to the Belkin PureAV Battery Backup at the time of the Occurrence.
- c. The equipment that was damaged during the Occurrence and the extent of the damage.
- d. The date of the Occurrence.
- e. Where you purchased the Belkin PureAV Battery Backup.
- f. When you purchased the Belkin PureAV Battery Backup.
- g. Copy of original receipt.
- h. Your Belkin Customer Service Representative will then instruct you on how to forward your equipment, receipt, Belkin PureAV Battery Backup in use during the "Occurrence" and how to proceed with your claim.

Please conveniently register your Belkin PureAV Battery Backup online on our website at www.belkin.com.

Belkin International, Inc. • 501 West Walnut Street • Compton • CA • 90220
Tel: 310.898.1100 • Fax: 310.898.1111

Information

Federal Communications Commission Interference Statement

This equipment has been tested and found to comply with the limits for a Class B digital device, pursuant to Part 15 of the FCC Rules. These limits are designed to provide reasonable protection against harmful interference in a residential installation. This equipment generates, uses and can radiate radio frequency energy and, if not installed and used in accordance with the instructions, may cause harmful interference to radio communications. To assure continued compliance, use only shielded interface cables when connecting to computer or peripheral devices. Any changes or modifications not expressly approved by the party responsible for compliance could void the user's authority to operate this equipment.

SAFETY INFORMATION

CAUTION:

- Internal battery voltage is 12VDC.
- The unit is intended for installation in a controlled environment (temperature controlled, indoor area free of conductive contaminants).
- All batteries used are sealed lead batteries. Batteries must be recycled.

Recycling Information

Your Belkin PureAV Battery Backup contains a non-spillable sealed lead battery. On the battery, you will find the battery name. Please reference the chart below for recycling information.

Battery Name	Recycling Inside the USA	Recycling Outside the USA
BB Battery	(800) 278-8599	N/A
CSB Battery	(800) 738-7372	1 (817) 244-4415
VISION Battery	(973) 726-5323	N/A
RITAR Battery	(888) 841-5179	N/A

Please visit belkin.com for battery replacement information

BELKIN®

— PURE|AV —

Batterie de secours avec technologie AVR pour cinéma maison

Guide d'utilisation



AP30800fc10-BLK

Table des matières

	Page
Introduction	2
Contenu de l'emballage	2
Caractéristiques et fonctions - batterie de secours Belkin PureAV	3
Alarmes	4
Caractéristiques du produit	5
Installation	6-7
Dépannage	8
Spécifications techniques	9
Entreposage	9
Garantie de protection de l'équipement connecté Belkin	10-12
Information	13

Introduction

Félicitations et merci d'avoir acheté la batterie de secours avec technologie AVR pour cinéma maison Belkin PureAV (la batterie de secours Belkin PureAV). Les fréquentes perturbations électriques, tant naturelles que causées par l'homme, dégradent la qualité du courant fourni à votre système de cinéma maison. Les baisses de tension ou les pannes de courant peuvent entraîner la perte de vos paramètres complexes, voire endommager votre équipement précieux, et affecter ainsi la qualité générale de votre expérience de cinéma maison. En plus d'assurer l'alimentation batterie en cas de panne de courant, notre batterie de secours Belkin PureAV assure une protection incomparable contre les surtensions et un conditionnement de ligne qui vous permettront d'obtenir un son et une image d'une qualité exceptionnelle directement de la source.

Veillez conserver ce guide.

Il contient des instructions d'utilisation et des renseignements importants sur la garantie de la batterie de secours Belkin PureAV.

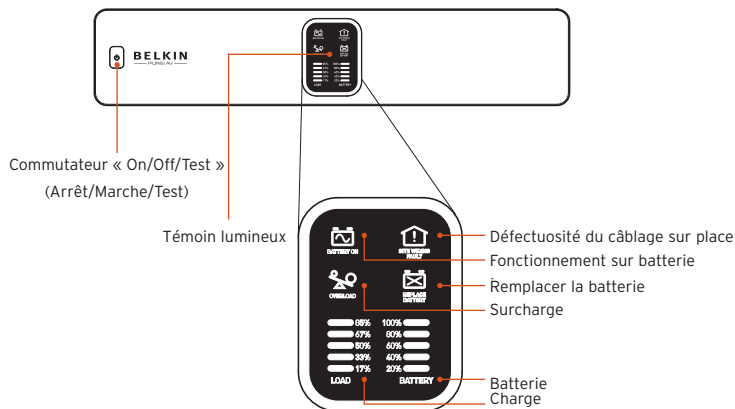
Veillez conserver ou recycler les matériaux d'emballage !

Les matériaux d'emballage de la batterie de secours Belkin PureAV ont été soigneusement choisis pour assurer une protection adéquate durant le transport. Veuillez conserver l'emballage pour le cas peu probable où vous auriez à retourner ce produit pour le service. En effet, les dommages subis en cours de transport ne sont pas couverts par la garantie.

Contenu de l'emballage

- 1 batterie de secours Belkin PureAV
- 2 supports de montage sur bâti
- Manuel d'utilisation

Caractéristiques et fonctions - batterie de secours



Voyant	État	Signification
FONCTIONNEMENT SUR BATTERIE (Voyant vert)	○ Vert fixe	Le module Belkin PureAV fonctionne sur secours batterie et une alarme sonore intermittente se fait entendre. Il est sur le point d'amorcer la procédure de fermeture.
	☀ Vert clignotant	La batterie est faible. Le module Belkin PureAV amorcera la procédure de fermeture. Une alarme sonore se fait entendre.
SURCHARGE (Voyant jaune)	○ Jaune fixe	L'arrêt de la batterie de secours Belkin PureAV est attribuable à une surcharge ou à un court-circuit.
	☀ Jaune clignotant	La batterie tire plus de courant qu'elle est capable d'en fournir.
REPLACER LA BATTERIE (voyant rouge)	○ Rouge fixe	La batterie est faible ou défectueuse et il faut la remplacer.
CÂBLAGE DÉFECTUEUX (voyant rouge)	○ Rouge fixe	Il n'y a pas de circuit de mise à la terre ou la polarité est inversée dans le câblage de l'immeuble.
CHARGE (Voyant jaune)	○ Jaune fixe	Indique le pourcentage de charge de sortie du module Belkin PureAV (17%, 33%, 50%, 67% et 85%).
BATTERIE (Voyant vert)	○ Vert fixe	Indique le pourcentage de capacité de la batterie (20%, 40%, 60%, 80% et 100%).

Alarmes

Fonctionnement sur secours (alarme lente)

Lorsque le module Belkin PureAV fonctionne en mode secours sur batterie, le voyant « Sur batterie » (vert) s'allume et une alarme sonore se fait entendre. L'alarme s'arrête lorsque la batterie de secours Belkin PureAV revient en mode de fonctionnement normal sur courant secteur.

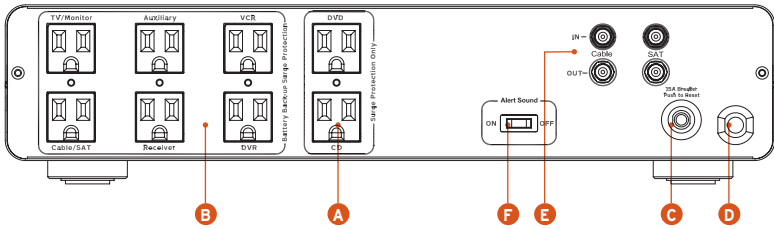
Batterie faible (alarme rapide)

Lorsqu'il fonctionne en mode secours sur batterie et qu'il commence à faiblir, le module Belkin PureAV émet des bips rapides jusqu'à ce qu'il soit complètement déchargé ou qu'il revienne en mode normal sur courant secteur.

Surcharge (alarme continue)

Lorsque la batterie de secours Belkin PureAV est surchargée (c.-à-d. lorsqu'elle dépasse sa capacité nominale maximale), elle émet un signal d'alarme continu pour vous en aviser. Débranchez tout équipement non nécessaire de la batterie pour éliminer la surcharge.

Caractéristiques du produit



Face arrière

A. Prises à protection contre les surtensions seulement

Les équipements tels que scanner, ordinateur, imprimante, fax ou lampe de bureau peuvent être branchés sur ces prises. Ces prises ne fournissent pas de courant lors d'une panne d'électricité. Elles sont toujours sous tension (lorsque l'alimentation c.a. est disponible) et elles ne sont pas commandées à partir de l'interrupteur sur la face avant.

B. Prises avec secours sur batterie et protection contre les surtensions

Seuls les équipements importants tels que téléviseur, magnétoscope traditionnel ou numérique, récepteur câble/satellite et autre matériel dont la configuration risquerait de se perdre doivent être branchés sur ces prises. L'alimentation par batterie est automatiquement fournie en cas de panne de courant. Ces prises ne sont pas alimentées en courant (secteur ou batterie) lorsque le module Belkin PureAV est éteint. (Ne branchez pas de parasurtenseur ou de bloc multiprise sur les prises avec secours sur batterie.)

Remarque : En mode AVR, la charge totale que vous branchez sur les prises avec secours sur batterie ne doivent pas dépasser 85% de la capacité du module.

C. Disjoncteur c.a.

Le bouton du disjoncteur surgira si une surcharge force la batterie de secours Belkin PureAV à se déconnecter de la source de courant secteur. Si cette situation se produit, débranchez tout équipement non essentiel et appuyez sur le disjoncteur pour le réinitialiser.

D. Cordon d'alimentation c.a.

E. Ports audio/ vidéo avec protection contre les surtensions

F. Interrupteur d'alarme sonore

Cet interrupteur active ou désactive l'alarme sonore.

Installation

Remarque :

Veillez inspecter la batterie de secours Belkin PureAV pour vous assurer qu'elle n'est pas endommagée avant de procéder à son installation.

Branchement sur une prise secteur

Branchez le cordon sur une prise de courant secteur. Vérifiez si le voyant « Site Wiring Fault » (Câblage défectueux) est allumé ou éteint. S'il est allumé, vérifiez le câblage du courant secteur.

Chargement de la batterie

Pour des résultats optimaux, chargez la batterie pendant huit heures avant la première utilisation. La batterie de secours Belkin PureAV se recharge chaque fois qu'elle est branchée sur une prise de courant secteur.

Branchement de vos appareils

Branchez vos appareils sur les prises c.a. à l'arrière de la batterie de secours Belkin PureAV. Pour utiliser votre module Belkin PureAV comme interrupteur, assurez-vous que tous les équipements sont sous tension.

Attention : Ne branchez jamais une imprimante laser ou un scanner sur les prises avec secours batterie du module Belkin PureAV. En effet, une imprimante laser ou un scanner tire beaucoup plus de courant lorsqu'il est en fonction que lorsqu'il est inactif. Vous risqueriez ainsi de surcharger votre batterie de secours Belkin PureAV.

Mise sous tension de la batterie de secours Belkin PureAV

Pour allumer votre module Belkin PureAV, appuyez sur le bouton « On/Off/Test » (Arrêt/Marche/Test) et maintenez-le enfoncé pendant 2 secondes environ jusqu'à ce que le voyant vert « ON LINE » (Courant secteur) s'allume.

Mise hors tension de la batterie de secours Belkin PureAV

Pour éteindre votre module Belkin PureAV, appuyez sur le bouton « On/Off/Test » (Arrêt/Marche/Test) et maintenez-le enfoncé pendant plus de deux secondes jusqu'à ce que le voyant « ON LINE » (Courant secteur) ou « ON BATTERY » (Sur batterie) s'éteigne.

Pour faire un autotest

Utilisez cette fonction pour vérifier à la fois l'état et le fonctionnement de la batterie de secours Belkin PureAV. En fonctionnement normal sur courant secteur, appuyez sur le bouton « On/Off/Test » (Arrêt/Marche/Test) moins de 1,5 seconde pour activer la fonction d'autotest. Durant ce test, la batterie de secours Belkin PureAV fonctionne en mode « secours ».

Remarque : Durant l'autotest, le module Belkin PureAV fonctionne brièvement sur secours batterie (le voyant « ON BATTERY » s'allume). Si le test est concluant, il revient en mode de fonctionnement sur courant secteur. Si le test est négatif, il revient immédiatement en mode de fonctionnement sur courant secteur et le voyant « REPLACE BATTERY » (Remplacer batterie) s'allume. La charge reste la même. Rechargez la batterie au cours de la nuit et refaites l'autotest le lendemain. Si le voyant « REPLACE BATTERY » (Remplacer batterie) reste toujours allumé, vous devrez remplacer la batterie. Veuillez contacter le Service à la clientèle Belkin pour toute demande d'assistance.

Installation

Désactivation de l'alarme sonore

Il y a deux façons de désactiver l'alarme sonore :

1. Mettez l'interrupteur à la position OFF. À cette position, l'alarme sonore ne se déclenchera pas lorsque le module Belkin PureAV fonctionnera sur secours batterie.
2. En mode de fonctionnement secours sur batterie, appuyez sur le bouton « ON/OFF/TEST » (Arrêt/Marche/Test) moins de 1,5 seconde pour désactiver l'alarme sonore. (Cette manœuvre ne donnera aucun résultat si la batterie de secours Belkin PureAV est faible ou si elle est surchargée.)

Branchement de la ligne réseau

Branchez la ligne réseau partant du mur sur le connecteur marqué « IN » (Entrée), puis le dispositif (carte Ethernet) que vous voulez protéger sur celui marqué « OUT » (Sortie).

Branchement de câble coaxial audio/vidéo

À l'aide d'un premier câble coaxial modulaire, reliez la prise de câble murale à la sortie à protection contre les surtensions marquée « IN » (Entrée). Ensuite, à l'aide d'un deuxième câble coaxial, reliez la prise à protection contre les surtensions marquée « OUT » (Sortie) à l'équipement de câble ou au modem câble que vous voulez protéger.

*Éteignez tout équipement avant d'installer un composant matériel.

Dépannage

Problème	Cause possible	Solution
La batterie de secours Belkin PureAV n'est pas sous tension, le voyant est éteint	Le bouton « On/Off/Test » (Arrêt/Marche/Test) n'est pas enfoncé ou il a été enfoncé moins de 2 secondes	Appuyez sur le bouton « On/Off/Test » (Arrêt/Marche/Test) plus de 2 secondes
	La tension de la batterie est trop faible	Rechargez la batterie de secours pendant au moins 8 heures
	Batterie de secours défectueuse	Communiquez avec le Service à la clientèle Belkin
Le module Belkin PureAV fonctionne toujours en mode secours sur batterie	Le cordon d'alimentation est lâche	Rebranchez le cordon d'alimentation
	Le disjoncteur c.a. est grillé ou il s'est déclenché	Remplacez ou réinitialisez le disjoncteur
	La tension du courant secteur est trop forte, trop faible ou il y a une panne de courant	Condition normale
La durée de fonctionnement sur secours est trop courte	La batterie n'est pas complètement chargée	Rechargez la batterie de secours pendant au moins 8 heures
	Le module Belkin PureAV est surchargé	Retirez les charges non nécessaires
	Chargeur défectueux ou autre cause	Remplacez la batterie. Communiquez avec le Service à la clientèle Belkin ou visitez le site Web belkin.com .
Le module Belkin PureAV émet continuellement des bips	Surcharge	Retirez les charges non essentielles
Le voyant rouge est allumé	Batterie défectueuse	Remplacez la batterie. Communiquez avec le Service à la clientèle Belkin ou visitez le site Web belkin.com .

Spécifications techniques

Mo-BLKdèle		AP30800fc10-BLK
ENTRÉE	Capacité	1 200 VA / 640 W
	Gamme de tensions	90-136 V c.a.
	Fréquence	60 Hz (\pm 3 Hz)
SORTIE	Tension	Onde sinusoïdale simulée, 120 V c.a. \pm 8%
	Fréquence (sur batterie)	60 Hz (\pm 1Hz)
BATTERIE	Fonctionnement sur secours 15%-100% de la charge	1,5~40 min.
	Temps habituel de recharge	\leq 12 heures 85% de la capacité
ENVIRONNEMENT	Fonctionnement ambiant	0~85% d'humidité sans condensation, 0~35 °C
CONFORMITÉ	Surtension	IEEE C62.41 Catégorie A standard
DESCRIPTION DE L'APPAREIL	Dimensions (L x H x P)	435 mm x 88 mm x 330 mm
	Poids net	14,5 kg

Toutes les spécifications peuvent être modifiées sans préavis.

Entreposage

Conditions d'entreposage

Couvrez la batterie de secours Belkin PureAV et rangez-la dans un endroit frais et sec, en vous assurant que la batterie est complètement chargée. Avant de la ranger, chargez-la pendant au moins quatre heures.

Entreposage prolongé

Lorsque vous entreposez la batterie de secours Belkin PureAV pour une longue période dans un endroit où la température ambiante se situe entre +5 °F et +86 °F, chargez-la tous les six mois. Lorsque vous entreposez la batterie de secours Belkin PureAV pour une longue période dans un endroit où la température ambiante se situe entre +86 °F et +113 °F, chargez-la tous les trois mois.

Garantie de protection de l'équipement connecté Belkin

Belkin International, Inc. ("Belkin") garantit à l'acheteur initial de toute batterie de secours Belkin PureAV, pendant trois ans à compter de la date d'achat, que le produit sera exempt de tout défaut de conception, d'assemblage, de matériel ou de fabrication, et réparera ou remplacera, à son gré et sans frais, tout produit défectueux.

Belkin réparera ou remplacera, à son gré, tout équipement endommagé par des tensions transitoires, des pointes de courant ou la foudre (appelés « Événement ») alors qu'il était correctement branché, à travers une batterie de secours Belkin PureAV, sur une ligne c.a. correctement câblée avec mise à la terre. Si vous utilisez une batterie de secours Belkin PureAV c.a. avec protection pour ligne téléphonique, coaxiale ou réseau, la ligne téléphonique, le câble coaxial et la ligne réseau doivent être correctement branchés et installés, tel qu'établi par Belkin à son entière discrétion.

Cette garantie de protection de l'équipement connecté est une garantie limitée, sous réserve des limitations et des exclusions énoncées dans les présentes.

Belkin dépensera, pour réparer ou remplacer l'équipement connecté endommagé, à son gré, soit un montant égal à la juste valeur marchande de l'équipement endommagé, soit le prix d'achat initial de cet équipement, selon ce qui est le moins élevé, jusqu'au montant maximum indiqué ci-dessous :

Modèle AP30800fc10-BLK

Jusqu'à un maximum de 500 000 \$

La juste valeur marchande de l'équipement sera la valeur en cours indiquée dans l'édition la plus récente du « Orion Blue Book », publié par Orion Research Corporation de la maison d'édition Roger Rohrs.

Belkin se réserve le droit d'examiner la batterie de secours Belkin PureAV endommagée, l'équipement endommagé de même que l'endroit où les dommages ont eu lieu. Tous les coûts d'expédition de la batterie de secours Belkin PureAV et de l'équipement endommagé à Belkin pour inspection seront entièrement assumés par l'acheteur. Belkin se réserve le droit de négocier le coût des réparations. Si Belkin détermine, à son entière discrétion, qu'il est peu pratique d'expédier l'équipement endommagé à Belkin peut désigner, à son entière discrétion, un atelier de réparation pour inspecter l'équipement et évaluer le coût des réparations. Les coûts, s'il en est, pour l'expédition de l'équipement jusqu'à l'atelier de réparation et le retour, et pour l'estimation, seront entièrement assumés par l'acheteur. L'équipement endommagé doit être disponible pour inspection jusqu'à ce que la demande de réclamation soit réglée.

Garantie de protection de l'équipement connecté Belkin

Lorsqu'un règlement intervient, Belkin se réserve le droit d'être subrogé en vertu de quelque police d'assurance que le réclamant pourrait avoir.

Toutes les garanties précédentes sont nulles et non avenues si la batterie de secours Belkin PureAV utilisée au moment de l'événement n'est pas expédiée à Belkin pour inspection, à sa demande mais aux frais de l'acheteur, si Belkin s'aperçoit que la batterie de secours Belkin PureAV avait été mal installée, modifiée ou altérée de quelque façon, que les dommages ne sont pas attribuables à l'événement ou qu'aucun événement n'a eu lieu, que la réparation ou le remplacement de l'équipement endommagé est couvert par une garantie du fabricant ou encore, si Belkin constate que l'équipement connecté n'était pas utilisé dans des conditions normales ou selon les instructions fournies. Toutes les batteries de secours Belkin PureAV doivent être branchées directement dans la source d'alimentation et non raccordées « en cascade » et en série avec d'autres blocs à prises multiples, blocs UPS, parasurtenseurs ou cordons de rallonge. Un adaptateur « trois-à-deux prises » ne peut pas être utilisé. Toute installation de ce genre annule la garantie. La garantie de protection de l'équipement connecté Belkin ne s'applique qu'à l'équipement correctement branché pour lequel Belkin a établi, à son entière discrétion, que les dommages étaient attribuables à un événement. Elle ne s'applique pas aux cas de force majeure (autres que la foudre) tels que tremblement de terre, inondation, guerre, vandalisme, vol, usure normale, érosion, épuisement, obsolescence, abus, dommages causés par des perturbations de tension, programme non autorisé ou modification de système ou d'équipement. *Remarque : Ce produit ne doit pas être utilisé avec des aquariums ou tout autre produit en relation avec l'eau. Pour usage intérieur et dans les endroits secs seulement.

Cette garantie contient la garantie exclusive de Belkin. Il n'y a pas d'autre garantie expresse ou, sauf dans les cas exigés par la loi, implicite, y compris de garantie implicite ou condition de qualité ou de conformité à un usage particulier. De telles garanties implicites, s'il en est, sont limitées à la durée de la présente garantie. Certains états n'autorisent pas de limite quant à la durée d'une garantie implicite; il se pourrait donc que les limites indiquées ci-dessus ne s'appliquent pas dans votre cas.

En aucun cas Belkin ne sera responsable de quelques dommages-intérêts pour cause directe, indirecte, spéciale, fortuite ou multiple, notamment mais non exclusivement, perte d'occasions d'affaires ou de profits découlant de la vente ou de l'utilisation de toute batterie de secours Belkin PureAV, même si elle était informée de la possibilité de tels dommages. Cette garantie vous confère des droits légaux spécifiques, et vous pouvez aussi avoir d'autres droits pouvant varier d'un état à l'autre. Certains états ne permettent pas l'exclusion ou la limitation des dommages-intérêts pour une cause indirecte ou fortuite; il se pourrait donc que les limites indiquées ci-dessus ne s'appliquent pas dans votre cas.

Garantie de protection de l'équipement connecté Belkin

Cette garantie n'est valide que pour l'acheteur initial du produit. Toutes les réclamations en dommages-intérêts à l'égard du produit doivent être faites dans un délai de 15 jours suivant la date de l'événement et être accompagnées d'un reçu pour l'équipement endommagé, sans quoi la garantie sera nulle. La garantie est valide au Canada, aux États-Unis, à Puerto Rico et aux Bermudes. Pour présenter une réclamation en vertu de la garantie de protection de l'équipement connecté Belkin, vous pouvez soit contacter Belkin à l'adresse Web www.belkin.com et imprimer notre formulaire de réclamation, soit nous écrire à

Belkin International, Inc., 501 W. Walnut St., Compton CA 90220

À l'attention de : Soutien technique, ou appelez au (310) 898-1100, poste 2263, dans les 15 jours suivant l'événement. Soyez prêt à fournir les renseignements suivants :

- a. Numéro d'article de la batterie de secours Belkin PureAV.
- b. Type d'équipement raccordé à la batterie de secours Belkin PureAV au moment de l'événement.
- c. Type d'équipement endommagé durant l'événement et étendue des dommages.
- d. Date de l'événement.
- e. Endroit où vous avez acheté la batterie de secours Belkin PureAV.
- f. Date d'achat de la batterie de secours Belkin PureAV.
- g. Copie du reçu d'origine.
- h. Le représentant du Service à la clientèle Belkin vous indiquera ensuite la marche à suivre pour expédier votre équipement (avec reçu) et votre batterie de secours Belkin PureAV qui était en utilisation au moment de l'événement et comment faire votre réclamation.

Vous pouvez facilement enregistrer votre batterie de secours Belkin PureAV en ligne sur notre site Web à l'adresse www.belkin.com.

Belkin International, Inc. • 501 West Walnut Street • Compton • CA • 90220
Tél.: 310.898.1100 • Fax : 310.898.1111

Information

Attestation de la Federal Communications Commission (FCC) relative aux interférences

Cet appareil a été testé et jugé conforme aux limites imposées pour les unités numériques de classe B, en vertu de l'alinéa 15 de la réglementation FCC. Ces limites visent à assurer une protection raisonnable contre les interférences en milieu résidentiel. Cet appareil génère, utilise et peut émettre de l'énergie radioélectrique et, s'il n'est pas installé et utilisé tel qu'indiqué dans le guide d'utilisation, il peut causer des interférences dans les communications radio. Pour garantir la conformité aux normes énoncées, n'utilisez que des câbles blindés lorsque vous le raccordez à un ordinateur ou à d'autres périphériques. Toute modification qui n'a pas été expressément approuvée par la partie responsable des questions de conformité pourrait annuler le droit de l'utilisateur de se servir de cet équipement.

CONSIGNES DE SÉCURITÉ

ATTENTION :

- La tension interne de la batterie est de 12 V c.c.
- Ce module doit être installé dans un milieu à atmosphère contrôlée (endroit intérieur, avec température contrôlée et sans contaminant conducteur).
- Toutes les batteries sont des batteries au plomb sans entretien. Elles doivent être recyclées.

Renseignements concernant le recyclage

Votre module Belkin PureAV contient une batterie étanche au plomb, sans entretien. Le nom de la batterie est indiqué sur la batterie elle-même. Veuillez vous reporter au tableau ci-dessous pour connaître les consignes de recyclage.

Nom de la batterie	Ailleurs aux États-Unis	Ailleurs qu'aux États-Unis
Batterie BB	(800) 278-8599	S/O
Batterie CSB	(800) 738-7372	1 (817) 244-4415
Batterie VISION	(973) 726-5323	S/O
Batterie RITAR	(888) 841-5179	S/O

Pour de plus amples renseignements sur le remplacement de batterie, rendez-vous à l'adresse www.belkin.com.

BELKIN®

www.belkin.com

Belkin Tech Support
US: 800-223-5546, ext. 2263
310-898-1100, ext. 2263
UK: 0845 607 77 87
Australia: 1800 235 546
New Zealand: 0800 235 546
Singapore: 65 64857620
Europe: www.belkin.com/support

Belkin International, Inc.
501 West Walnut Street
Los Angeles, CA 90220, USA
310-898-1100
310-898-1111 fax

Belkin Ltd.
Express Business Park, Shipton Way
Rushden, NN10 6GL, United Kingdom
+44 (0) 1933 35 2000
+44 (0) 1933 31 2000 fax

Belkin B.V.
Boeing Avenue 333
1119 PH Schiphol-Rijk, The Netherlands
+31 (0) 20 654 7300
+31 (0) 20 654 7349 fax

Belkin Ltd.
4 Pioneer Avenue
Tuggerah Business Park
Tuggerah, NSW 2259, Australia
+61 (0) 2 4350 4600
+61 (0) 2 4350 4700 fax

© 2007 Belkin International, Inc. All rights reserved. All trade names are registered trademarks of respective manufacturers listed.

© 2007 Belkin International, Inc. Tous droits réservés. Tous les noms de marque sont des marques déposées des fabricants respectifs mentionnés.

P74699fc-A

Free Manuals Download Website

<http://myh66.com>

<http://usermanuals.us>

<http://www.somanuals.com>

<http://www.4manuals.cc>

<http://www.manual-lib.com>

<http://www.404manual.com>

<http://www.luxmanual.com>

<http://aubethermostatmanual.com>

Golf course search by state

<http://golfingnear.com>

Email search by domain

<http://emailbydomain.com>

Auto manuals search

<http://auto.somanuals.com>

TV manuals search

<http://tv.somanuals.com>