

- Select your connection type (this information is provided by your ISP) and click "Select". Depending on your selection, you will see the "Static IP Address" page or the "PPPoE" page. Enter the required values provided by your ISP and click "Enter".
- The "MAC Cloning/Entry" screen will appear. If your ISP binds your connection to the MAC address of your network adapter, click "Clone MAC Address" or enter the MAC address here. Press "Enter".



Your Router has been set up to communicate with your ISP. You should have Internet access at this point. If you are having trouble, see the "Troubleshooting" section in the user's manual.



Wireless Cable/DSL Gateway Router

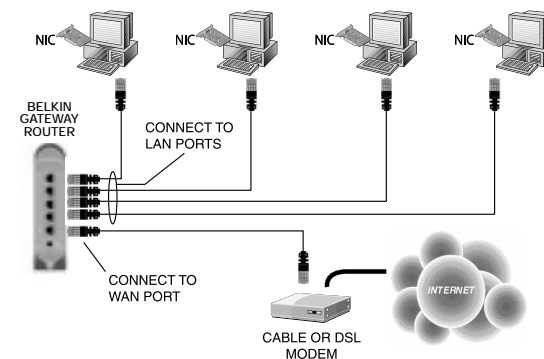
Quick Setup Guide for Mac[®] F5D6230-3

Setting up the Router is accomplished in three easy steps:

1. Connect the Router to your network.
2. Configure your computer's TCP/IP settings.
3. Configure the Router to your ISP's settings.

Step 1: Connect the Router to your network

1. Power down your equipment.
2. Connect a network cable between each of your computers and the Router. Connect each Mac to one of the ports on the rear of the Router labeled 1-3. Do not connect a computer to the port labeled "WAN".
3. Connect a network cable between the Router and your cable or DSL modem. Be sure this cable is plugged into the port labeled "WAN" on the Router.



4. Power on the cable or DSL modem.



Belkin Components
501 West Walnut Street
Compton • CA • 90220 • USA
310.898.1100

Belkin Components, Ltd.
Unit 13 • Gatelodge Close • Round Spinney
Northampton • Northants • NN3 8RX • United Kingdom
+44 (0) 1604678300

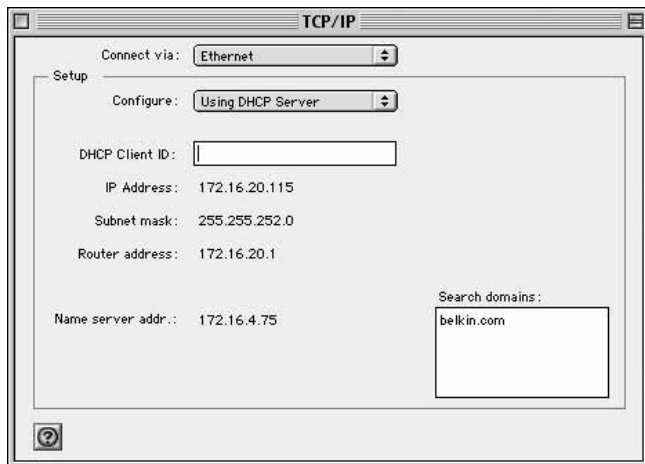
Belkin Components, Ltd.
7 Bowen Crescent • West Gosford
NSW 2250 • Australia
+61 (2) 4372 8600

5. **Connect the power adapter to the Router.**
6. After the cable or DSL modem and the Router are turned on, the Router's WAN link light should be on. This indicates that the modem and the Router are connected to each other.
7. **Turn on the rest of your computers.**
After your computers boot up, a LAN link light (on the front of the Router) will be on for each port to which a computer is connected. These lights are your means to verify that your computers are connected to the Router.

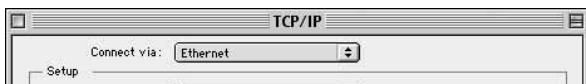
Step 2: Configuring TCP/IP for dynamic IP configuration

Your computer will communicate with the Router through TCP/IP. To configure your Mac computer's TCP/IP settings to communicate with the Router, follow the steps below.

1. Pull down the "Apple" menu. Select "Control Panels" and select "TCP/IP".



2. At "Connect Via:", choose either "Ethernet Built In" or "Ethernet" based on your Mac computer's interface.



3. At "Configure:" choose "Using DHCP Server". This will tell the computer to obtain an IP address from the Router.



4. Close the window. The following window will appear. Click "Save".



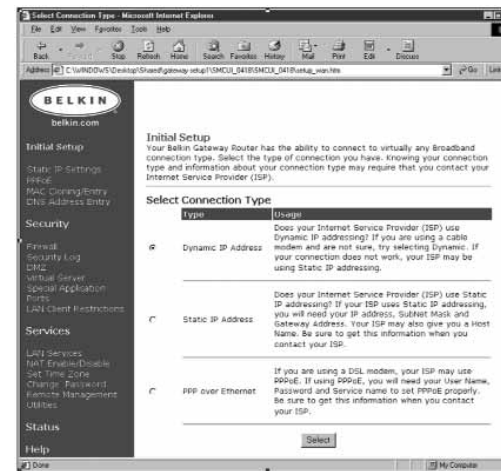
5. Restart the computer.

You are now finished with dynamic IP configuration. Perform this operation for each computer that you will be connecting to the Router.

When finished configuring your TCP/IP settings, you need to start File Sharing to enable.

Step 3: Configure the Router to your ISP's settings

1. Using the computer that was originally connected directly to the cable or DSL modem, launch your browser. Note: You can access the setup utility from any computer on the network, however, use the original computer for this procedure at this time.
2. In the address bar, type the following address: 192.168.2.1. The Router login screen will appear. Enter "Admin" in the User Name field, and do not enter anything in the "Password" field. Click "OK".
3. The Router's status page will appear.
4. Click on "Initial Setup" in the top left-hand corner. The following page will appear.



Free Manuals Download Website

<http://myh66.com>

<http://usermanuals.us>

<http://www.somanuals.com>

<http://www.4manuals.cc>

<http://www.manual-lib.com>

<http://www.404manual.com>

<http://www.luxmanual.com>

<http://aubethermostatmanual.com>

Golf course search by state

<http://golfingnear.com>

Email search by domain

<http://emailbydomain.com>

Auto manuals search

<http://auto.somanuals.com>

TV manuals search

<http://tv.somanuals.com>