

MEMORY INSTALLATION GUIDE:

#1005004D

COMPAQ LTE Elite 4/40C, /50E, /40CX, /50CX, /75CX

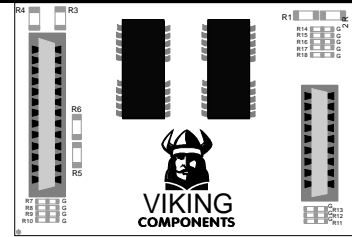
The Compaq LTE Elite notebook comes standard with four or eight megabytes of random access memory (RAM), depending on the model. You can expand memory up to 20Mb or 24Mb, respectively, by adding a Viking memory module.

Description

4Mb Memory Module (3.3 Volt)
8Mb Memory Module (3.3 Volt)
16Mb Memory Module (3.3 Volt)
24Mb Memory Module (3.3 Volt)

Viking P/N

C9013, RC9013
C9014, RC9014
C47903, RC47903
C7830, RC7830



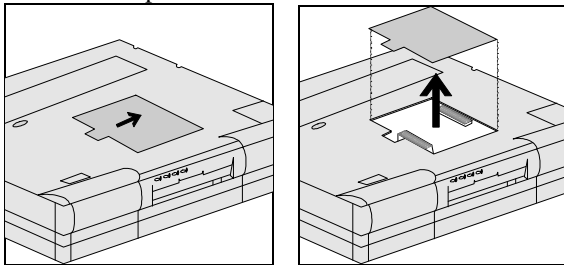
Caution:

Electrostatic discharge can damage electronic components. Before touching the memory module, ensure that you are discharged of static electricity by touching a grounded metal object.

INSTALLATION INSTRUCTIONS:

To install a memory module, follow these steps:

1. Turn off the computer and remove all external equipment, the battery pack, and power cord. (Refer to the on-line User's Guide for information on removing the battery pack.)
2. Turn the computer upside down.
3. Slide the memory access cover in the direction indicated by the arrow on the cover, and lift and remove the cover from the computer as shown.



Removing the Memory Access Cover

4. Align the two connectors on the memory module with the corresponding connectors on the system board.

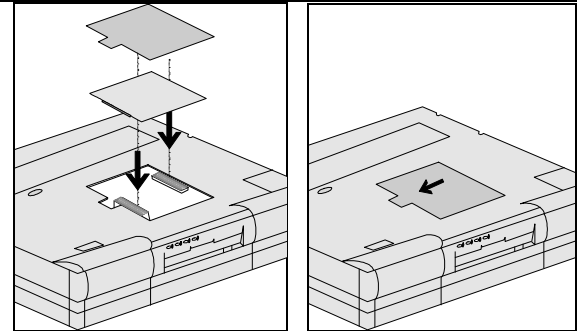
! Caution:

The two connectors on the memory module are similar in appearance but do not have the same number of connector pins. Be sure that you match each connector to its corresponding system board connector. Incorrect insertion could result in damage to the memory module or system board.

5. Insert the memory module by pressing it downward, applying pressure directly over each connector. Ensure that both connectors snap into place.

! Caution:

Do not apply pressure to the middle of the memory module or you may damage it. Press only in the area directly over each connector.



6. Replace the memory access cover.
7. Insert the battery pack, connect the power cord if desired, and turn on the computer to complete the installation. The computer automatically recognizes the new memory and reconfigures the system.



Free Manuals Download Website

<http://myh66.com>

<http://usermanuals.us>

<http://www.somanuals.com>

<http://www.4manuals.cc>

<http://www.manual-lib.com>

<http://www.404manual.com>

<http://www.luxmanual.com>

<http://aubethermostatmanual.com>

Golf course search by state

<http://golfingnear.com>

Email search by domain

<http://emailbydomain.com>

Auto manuals search

<http://auto.somanuals.com>

TV manuals search

<http://tv.somanuals.com>