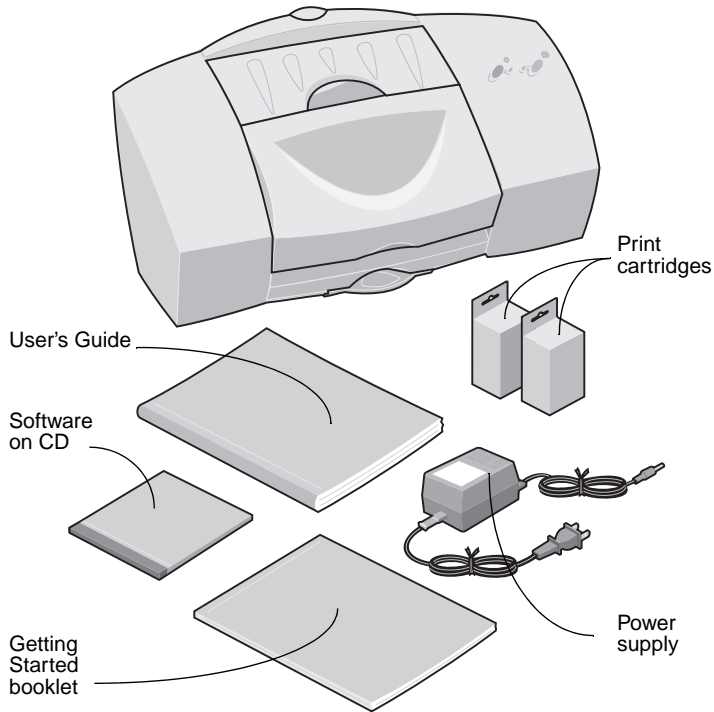


COMPAQ **IJ750**
Color Inkjet Printer

Getting Started

1

Prepare for setup

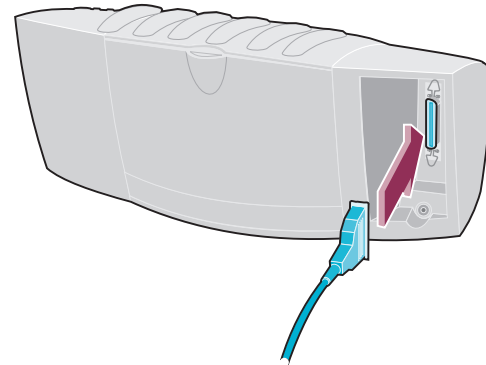


- 1 Unpack your printer.
- 2 Remove all packing material from the printer.

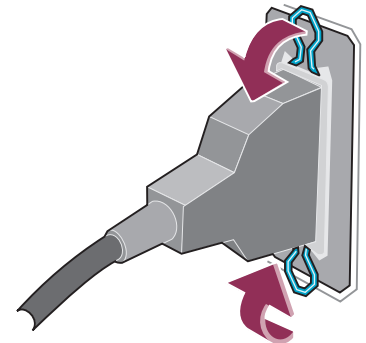
2

Connect the parallel cable

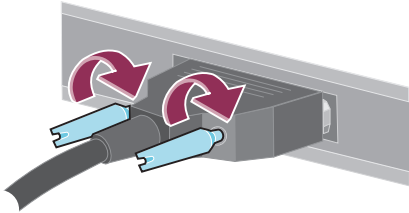
2a... to the printer



- 1 Use a parallel cable that supports bidirectional communication (IEEE 1284-compatible).
- 2 Fasten the metal clips on the printer to the parallel cable.



2b... to the computer

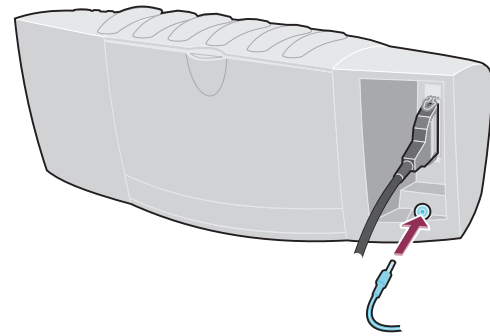


- 1 Make sure your computer is turned off.
- 2 Connect the parallel cable to the computer. Make sure you tighten the screws.

3

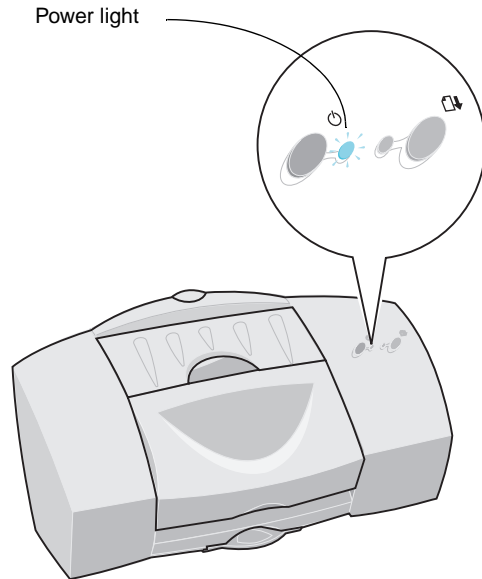
Plug in your printer

3a. Connect both ends of the power supply



- 1 Connect the power supply to the printer.
- 2 If your power supply has a power cord attached to it, **skip to step 3.**
If your power supply has a separate power cord, connect the power cord to the power supply.
- 3 Plug the power supply into an electrical outlet.

3b. Is the Power light on?

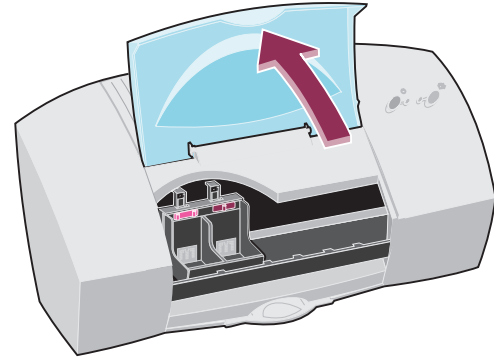


If the Power light is on, **continue with step 4.**
If not, check your connections.

4

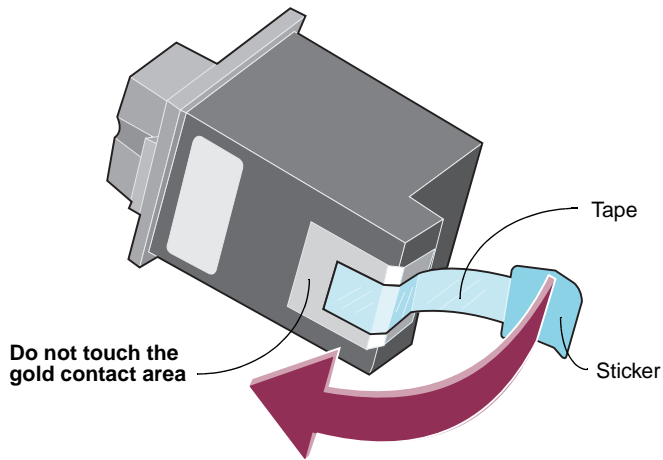
Install the print cartridges

4a. Raise the front cover



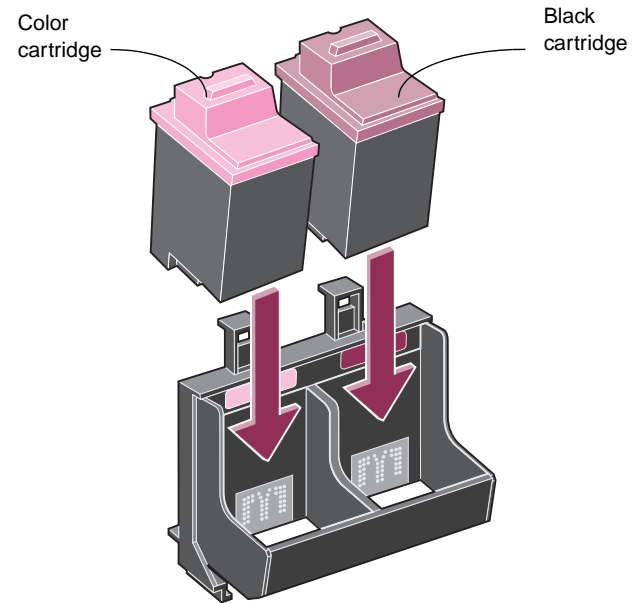
When you raise the front cover, the print cartridge carrier moves to the loading position.

4b. Unpack the cartridges



- 1 Remove each new print cartridge from its packaging.
- 2 Remove the sticker and the transparent tape covering the gold area on the cartridges.

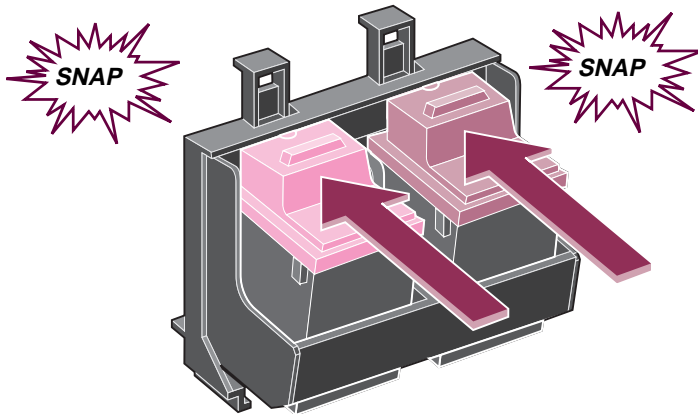
4c. Insert the cartridges



5

Load Paper

4d. Snap the cartridges into place

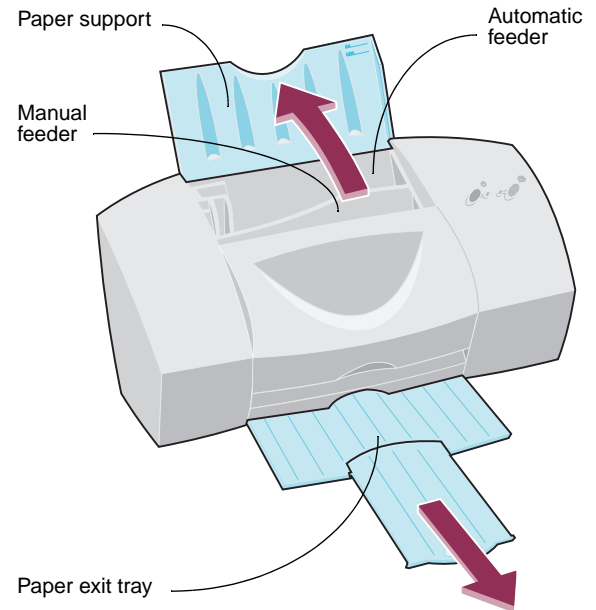


- 1 Push **back** on the cartridges until they *snap* securely into place.

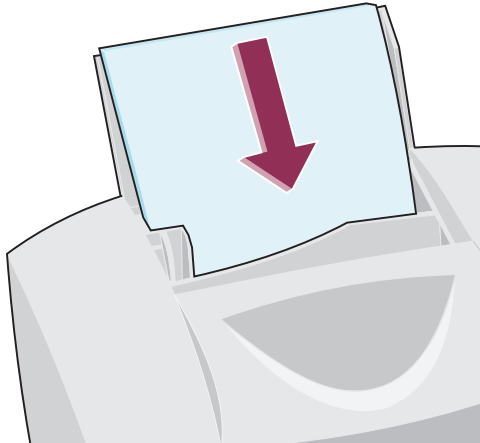
If the print cartridges move loosely in the carrier, they are not locked into place. Make sure the cartridges snap into place.

- 2 Close the front cover.

5a. Prepare for loading

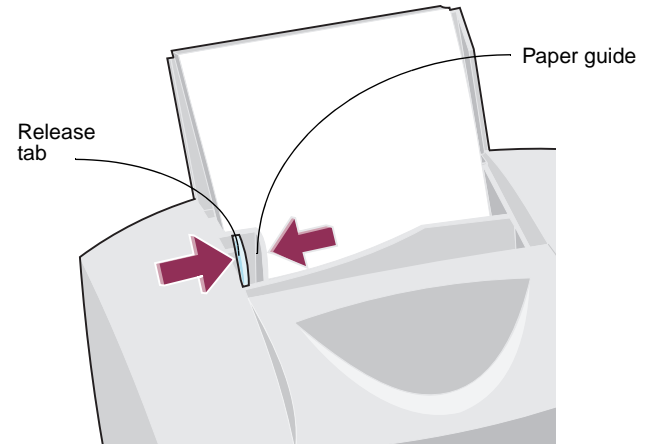


5b. Place up to 100 sheets of paper in the automatic feeder



Insert the paper against the right side of the automatic feeder.

5c. Adjust the paper guide



Squeeze the release tab and paper guide together and slide the paper guide to the edge of the paper.

6

Install the printer software

If you are using Windows 3.1 or 3.11, or you need to obtain driver diskettes, see the appendix of the User's Guide for installation information.

If you are using Windows 95, 98, or NT 4.0 follow these steps:

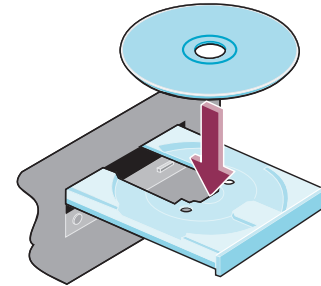
- 1 Make sure your computer is on, and Windows is running.

IMPORTANT! READ THIS:

- Select **Cancel** if a message appears indicating new hardware has been found.
- Select **Cancel** if the *Update Device Driver Wizard* appears.

Note: If you are prompted to align the print cartridges then the printer software is already installed on your PC. Skip the remaining steps.

Please see **Drivers for the Compaq IJ750 Color Inkjet Printer** CD for instructions on how to install the free software that came with your printer.



- 2 Insert the **Compaq IJ750 Color Inkjet Printer** CD into your CD-ROM drive. The Compaq IJ750 screen appears. (It may take a few seconds to appear.)

Click this to install the printer software.



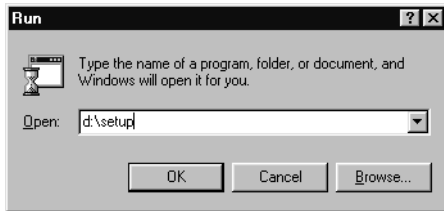
- 3 Click the Install Printer Software button.
- 4 Follow the instructions on your screen to complete the installation of your software and printer.

Follow these instructions **only if** the Compaq IJ750 screen shown on the previous page **does not appear** after a few moments:

1 From the Start menu, choose **Run**.



2 In the Open: text box, type the letter of your CD-ROM drive, followed by **:\\setup** (for example, **d:\\setup**), then click **OK**.



3 Follow the instructions on your screen to complete installation of your software and printer.

Congratulations!

You have successfully set up your printer. Refer to the **Compaq IJ750 Color Inkjet Printer User's Guide** for details about:

- How to use the buttons and lights
- How to use the printer software
- How to print on all types of media
- Quick Fixes for printer problems
- Replacing and changing print cartridges
- Printing from Windows 3.1, 3.11, NT 4.0, or DOS

Compaq Customer Support Center

1-281-927-5272 (USA and Canada)

Hours of Operations:

During the warranty period, free technical support is available 24 hours a day, 7 days a week.

Or you may contact Compaq through our website:
<http://www.compaq/athome>

Please have the following information available so we may serve you faster. **The machine type and serial number are located on the back of the printer.**

Machine Type number _____

Serial number _____

Date purchased _____

Store where purchased _____

Free Manuals Download Website

<http://myh66.com>

<http://usermanuals.us>

<http://www.somanuals.com>

<http://www.4manuals.cc>

<http://www.manual-lib.com>

<http://www.404manual.com>

<http://www.luxmanual.com>

<http://aubethermostatmanual.com>

Golf course search by state

<http://golfingnear.com>

Email search by domain

<http://emailbydomain.com>

Auto manuals search

<http://auto.somanuals.com>

TV manuals search

<http://tv.somanuals.com>