

DocuPrint C3055/C3055 DX

User Guide

Adobe, the Adobe logo, Acrobat, Acrobat Reader, PostScript, Adobe PostScript 3, and the PostScript logo are either registered trademarks or trademarks of Adobe Systems Incorporated in the United States and/or other countries.

Microsoft, Windows, and Windows NT are either registered trademarks or trademarks of Microsoft Corporation in the United States and/or other countries.

Permission have been obtained from Microsoft Corporation for use of software screen shots.

NetWare is a registered trademark of Novell, Inc.


Macintosh, Mac OS, AppleTalk, EtherTalk, and TrueType are trademarks of Apple Computer, Inc., registered in the U.S. and other countries.

UNIX is a registered trademark licensed by X/OPEN Company Ltd. in the United States and/or other countries.

Solaris, SunOS, and NIS (Network Information Services) are either registered trademarks or trademarks of Sun Microsystems, Inc.

All product/brand names are trademarks or registered trademarks of the respective holders.

For license information, refer to "About License" (P. 17).

In this manual, safety instructions are preceded by the symbol . Always read and follow the instructions before performing the required procedures.

It may be a legal offence to print currency notes, certificates of stocks and securities, or any other documents of similar nature, regardless of whether they will be used.

The data saved in the hard disk of the machine may be lost if there is any problem in the hard disk. Fuji Xerox is not responsible for any direct and indirect damages arising from or caused by such data loss.

Fuji Xerox is not responsible for any breakdown of machines due to infection of computer virus or computer hacking.

Important

1. This manual is copyrighted with all rights reserved. Under the copyright laws, this manual may not be copied or modified in whole or part, without the written consent of the publisher.
2. Parts of this manual are subject to change without prior notice.
3. We welcome any comments on ambiguities, errors, omissions, or missing pages.
4. Never attempt any procedure on the machine that is not specifically described in this manual. Unauthorized operation can cause faults or accidents. Fuji Xerox is not liable for any problems resulting from unauthorized operation of the equipment.

XEROX, The Document Company, and the digital X are registered trademarks of Xerox Corporation.

All Xerox and Fuji Xerox product names are either registered trademarks or trademarks of Xerox Corporation or Fuji Xerox Co., Ltd.

Preface

Thank you for purchasing the DocuPrint C3055/C3055 DX.

This guide explains how to operate this printer and the precautions that must be followed during operation.

To get the most out of this printer and to use it effectively, be sure to read this guide before use.

This guide assumes you are familiar with computers and the basics of network operation and configuration.

After reading this guide, keep it safe and handy for future reference.

The illustrations used in this guide are those of the DocuPrint C3055.

To lessen the effect on the environment, this manual is manufactured with recycling in mind. After the product has been used, please send this manual for recycling.

This equipment has been tested and found to comply with the limits for a Class B digital device, pursuant to the International Standard for Electromagnetic Interference (CISPR Publ. 22) and Radiocommunication Act 1992 in Australia/New Zealand. These limits are designed to provide reasonable protection against harmful interference in a residential installation. This equipment generates, uses and can radiate radio frequency energy and, if not installed and used in accordance with the instructions, may cause harmful interference to radio communications. However, there is no guarantee that interference will not occur in a particular installation. If this equipment does cause harmful interference to radio or television reception, which can be determined by turning the equipment off and on, the user is encouraged to try to connect the interference by one or more of the following measures:

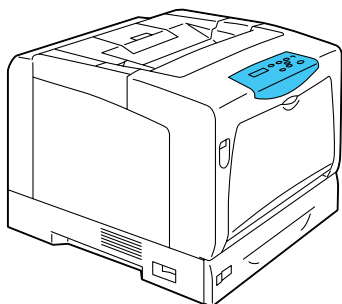
- Reorient or relocate the receiving antenna.
- Increase the separation between the equipment and receiver.
- Connect the equipment into an outlet on a circuit different from that to which the receiver is connected.
- Consult the dealer or an experienced radio/TV technician for help.

Changes and modifications to this equipment not specifically approved by Fuji Xerox may void the user's authority to operate this equipment.

DocuPrint C3055/C3055 DX Features

■ High Speed, High Image Quality

- Print speed A4 black : 35 ppm
A4 color : 8 ppm
(when a single document is printed continuously one-sided)



- The oil-free fusing technology produces prints you can easily write and place sticky-notes on.
- Prints all types of documents in the optimal print quality.

■ Handles a Variety of Paper Sizes and Types

- Accepts non-standard size paper, transparencies, and other special media in the paper trays as well as in the bypass tray.
- Accepts more variety of media in the bypass tray.

■ Easy Installation and Set Up

- Easy installation of a print driver using an installation tool (included in the supplied CD-ROM).
- Monitoring and remote configuration of the printer using a web browser (CentreWare Internet Services).

■ Wide Range of Print Features

• Multiple-Up

Prints multiple pages onto one sheet of paper.

• 2 Sided Print*¹

• Booklet Creation*¹

• Poster

Used when creating posters.

• Watermarks

Adds a watermark such as "Confidential" underneath an original image.

• Favorites

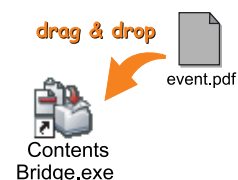
Allows you to program frequently-used print settings.

• Sample Print*²

Allows you to print a proof copy and print the entire sets after verifying the print result.

• PDF Bridge Feature

ContentsBridge Utility enables fast and direct printing of PDF files by simply dragging and dropping files onto its icon.



■ Security Features

• Communication Encryption*³

Prevents information leakage caused by unauthorized access.

• Control Panel Lock

Controls access to the control panel by password entry.

• Print User Control

Controls access to the printer by the Authentication feature.

• Data Reception Control

Controls access to the printer by IP address (when a LPD or Port9100 port is used).

• Secure Print*²

Stores a password-protected document in the printer until you enter its password on the control panel. This feature is ideal for printing confidential documents.

*1: On the DocuPrint C3055, the duplex unit (optional) must be installed.

*2: The hard disk (optional) must be installed.

*3: The network expansion card (optional) must be installed.

The data encryption feature is not supported on the model available in China.

Contents

Preface.....	3
DocuPrint C3055/C3055 DX Features.....	4
Contents.....	5
Types of Manuals.....	8
Using This Guide	9
Safety Notes	11
About License	17
Illegal Copies and Printouts	18
1 Printer Environment Settings.....	19
1.1 Supported Operating Environments	19
1.2 Connecting a Cable	22
1.3 Setting the Network Environment	24
Setting the IP Address	24
1.4 Enabling Ports	27
1.5 Configuring the Printer Using CentreWare Internet Services	28
Overview of CentreWare Internet Services	28
Using CentreWare Internet Services	31
Using the Online Help	31
1.6 Installing a Print Driver	32
Uninstalling a Print Driver and Other Software	32
2 Basic Operation.....	33
2.1 Main Components and Functions	33
Main Unit	33
Control Panel	36
Control Panel Display	37
2.2 Switching On/Off the Power	38
Switching On the Power	38
Switching Off the Power	38
2.3 About the Earth Fault Interrupter	39
2.4 Setting/Exiting the Power Saver Modes	40
2.5 Cancelling/Checking a Print Job.....	41
Cancelling a Print Job	41
Checking the Status of a Print Job	41
2.6 Importing Printer Information to a Print Driver	42
3 Print.....	43
3.1 Printing from a Computer	43
3.2 Printing on Envelopes.....	45
Loading Envelopes	45
Printing on Envelopes	46
3.3 Printing on Transparencies.....	48
Loading Transparencies	48
Printing on Transparencies	49
3.4 Printing on Non-standard Size Paper	51
Loading Non-standard Size Paper	51
Registering Non-standard Size Paper	51
Printing on Non-standard Size Paper	53
3.5 Printing by Changing the Paper Types of the Trays 1 - 4.....	55

3.6	Printing Confidential Documents - Secure Print -	59
	Secure Print Feature	59
	Printing Using the Secure Print Feature	59
3.7	Printing After Checking the Print Result - Sample Print -	63
	Sample Print Feature	63
	Printing Using the Sample Print Feature	63
3.8	Printing PDF Files Directly	67
	Printing PDF Files without Using ContentsBridge Utility	68
3.9	Printing Using E-mail - E-mail Print -	70
	Setting the E-mail Print Feature	70
	Sending E-mails	72
	Precautions When Using the E-mail Print Feature	75
4	Paper	76
4.1	About Paper	76
	Supported Paper	76
	Unsupported Paper	79
	Storing and Handling Paper	80
4.2	Loading Paper	81
	Loading Paper in the Bypass Tray	81
	Loading Paper in the Trays 1 - 4	83
	Extending the Extension Output Tray	85
	Changing the Paper Types of the Trays 1 - 4	86
	Setting the Paper Sizes of the Trays 1 - 4	87
	Auto Tray Selection Feature	89
5	Control Panel Menus	90
5.1	Overview of the Common Menus	90
	Menu Structure	90
	Changing the Settings	92
5.2	Setting the Common Menus	95
	[Print Language]	95
	[Report/List]	99
	[Meter Reading]	99
	[Admin Menu]	99
	[Replace Toner]	131
6	Troubleshooting	132
6.1	Clearing Paper Jams	132
	Paper Jams in the Bypass Tray	134
	Paper Jams in the Trays 1 - 4	135
	Paper Jams in the Fuser Unit	137
	Paper Jams Behind the Fuser Unit	138
	Paper Jams in the Duplex Unit	138
6.2	Hardware Problems (Power Failure, Abnormal Noise, etc.)	140
6.3	Printing Problems	141
6.4	Print Quality Problems	143
6.5	Paper Feeding Problems	147
6.6	Error Messages and Error Codes	148
	Error Messages (in Alphabetical Order)	148
	Error Codes	154
6.7	Network-related Problems	156
	CentreWare Internet Services Problems	156
	E-Mail Print/StatusMessenger Problems	158

6.8	Non-condensing Mode	159
6.9	Non-genuine Mode	160
7	Maintenance	161
7.1	Replacing Consumables.....	161
	Types of Consumables	161
	Replacing the Toner Cartridges	164
	Replacing the Drum Cartridge	168
7.2	Printing the Reports/Lists	171
	Types of the Reports/Lists	171
	Printing a Report/List	173
7.3	Monitoring/Managing the Printer on a Web Browser.....	174
7.4	Checking the Printer Status via SimpleMonitor	175
7.5	Checking the Printer Status via E-mail	176
	Setting the StatusMessenger Feature	177
	Checking the Printer Status via E-mail	178
7.6	Security Features	179
	SSL Data Encryption for HTTP Communication	179
	Controlling Data Reception by IP Address	184
7.7	Checking the Meter Reading	186
	Checking the Meter Reading by Output Color (Meter)	186
	Checking the Meter Reading by Computer (Meter Report)	187
7.8	Authentication and Auditor Administration Features	188
	Overview of the Authentication and Auditor Administration Features	188
	Configuring the Authentication and Auditor Administration Features	189
	Registering Login Information on the Printer	190
7.9	Adjusting Color Density	194
	Calibration Procedure	194
	Performing Calibration	195
7.10	Adjusting the Image Transfer Voltage	200
7.11	Cleaning the Printer.....	202
	Cleaning the Exterior	202
	Cleaning the Interior	202
	Cleaning the Feed Rolls	205
7.12	Moving the Printer	211
A	Appendix	213
A.1	Main Specifications.....	213
	Product Specifications	213
	Printable Area	216
A.2	Optional Accessories.....	217
A.3	Life of Consumables and Regular Replacement Parts.....	218
A.4	Obtaining the Product Information.....	219
	Obtaining the Latest Print Driver	219
	Updating the Printer's Firmware	219
A.5	Connecting the Printer to a Scanner (Associated Product).....	220
A.6	Installing Additional Memory.....	223
A.7	Notes and Restrictions	226
	Notes and Restrictions on Using the Printer	226
A.8	Glossary	227
	Index	232
	Control Panel Menu Tree	235

Types of Manuals

Setup Guide	Provides step-by-step instructions on how to set up your printer.
Quick Reference Guide	Provides information such as how to get ready to print, basic operating instructions, and troubleshooting tips. Refer to the 'User Guide' for more details and information not covered in this guide.
User Guide (PDF) (this guide)	Describes how to get ready to print and set various print features. It also covers the control panel menus, troubleshooting tips, and maintenance information. <ul style="list-style-type: none">• This guide is on the CD-ROM of the Driver CD Kit under [Model-specific Manual (PDF Document)].
CD-ROM Documentation (HTML)	Describes how to set up the printer's operating environment and to install a print driver and various Fuji Xerox software. <ul style="list-style-type: none">• This guide is on the CD-ROM of the Driver CD Kit.
Emulation Setting Guide (PDF)	Contains information about the ESC/P and PCL emulation modes. <ul style="list-style-type: none">• This guide is on the CD-ROM of the Driver CD Kit under [Model-specific Manual (PDF Document)].
PostScript User Guide	Describes how to set up your printer as a PostScript® printer and the features that can be configured on your print driver. <ul style="list-style-type: none">• This guide is on the PostScript Driver Library CD-ROM.
Installation guides for the optional accessories	Most optional accessories (sold separately) come with installation guides.

Note

- To view PDF files, you must have Adobe® Acrobat® Reader® or Adobe® Reader® installed on your computer. If you do not have it installed, install it from the CD-ROM of the Driver CD Kit.

Using This Guide

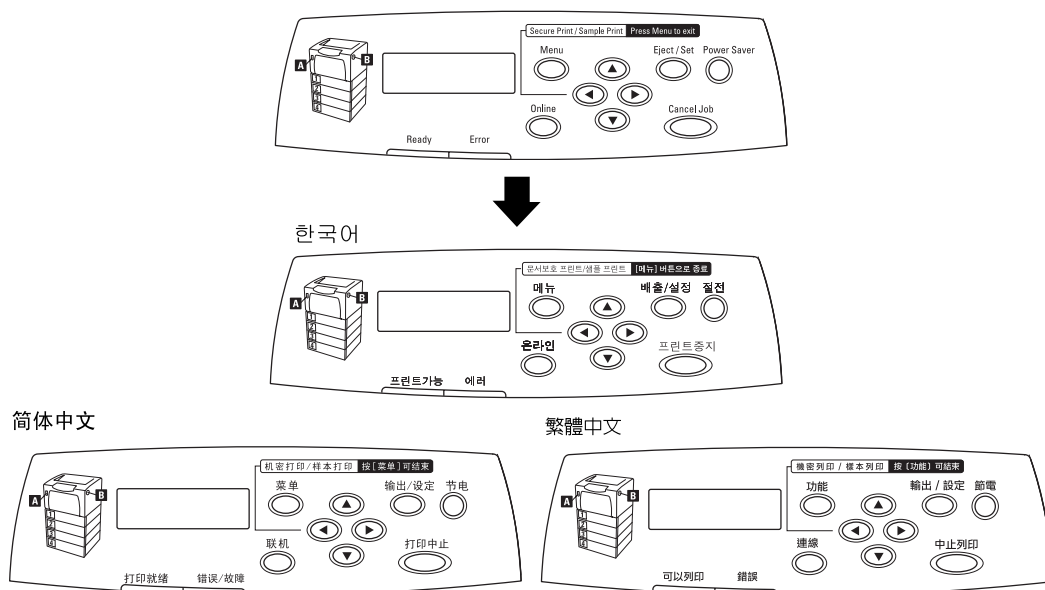
Organization

This guide is organized into the following chapters. The summary of each chapter is as follows:

1 Printer Environment Setting	Describes how to set up the printer's operating environment.
2 Basic Operation	Provides the names and functions of the printer's components and the basic operating procedures (such as switching the power on/off and cancelling print jobs).
3 Print	Describes various printing methods using the PCL print driver.
4 Paper	Describes the supported paper types and how to load paper in the printer.
5 Control Panel Menus	Describes the control panel menus and how to configure them.
6 Troubleshooting	Contains problem solving procedures that help quickly resolve problems (such as paper jams and errors).
7 Maintenance	Provides maintenance information, such as replacing consumables and printing various reports/lists. It also contains information intended for the administrators, such as CentreWare Internet Services (a tool that enables monitoring and remote configuration of the printer), various security features, and the Authentication and Auditron Administration features.
A Appendix	Describes the printer specifications, optional accessories, life of consumables, and how to obtain the product information.

Conventions


- In this guide, personal computers and workstations are collectively called "computers".
- The following terms are used throughout this guide:
 - Important : Important information that must be read and followed.
 - Note : Additional information that merits emphasis.
 - Refer to " " : References within this guide.
 - Refer to ' ' : References to other publications.
- The following symbols are used throughout this guide:
 - [] : The names of the menu items on your computer or the printer's control panel display, or the names of the reports/lists that can be printed from the printer.
 - < > : The names of the keys on your computer keyboard or the hardware buttons or lamps on the printer's control panel.
 - > : The hierarchies of the menus on the control panel display, print driver, or CentreWare Internet Services.
- In this guide, the control panel buttons/lamps are presented in English. If you placed the control panel labels (included with the printer) on your control panel, use the following figure to identify the names of the buttons/lamps in your language.





Safety Notes

For your own safety, please read this page carefully before using the machine.

Graphic symbols used throughout this guide

 **WARNING** Used for items that if not followed strictly, can lead to severe or fatal injuries.

 **CAUTION** Used for items that if not followed strictly, can cause injuries to user or damages to the machine.

 A symbol for items to pay attention to when handling the machine. Follow instructions carefully to use machine safely.



Heated surface




Flammable



Electric shock



Pinched fingers

 A symbol for prohibited items. Follow instructions carefully to avoid any dangerous acts.



Prohibited




No fire



Do not tear down



Do not touch

 A symbol for items that must be performed. Follow instructions carefully to carry out these essential tasks.



Instructions




Unplug





Ground/Earth


For Installation and Relocation


CAUTION

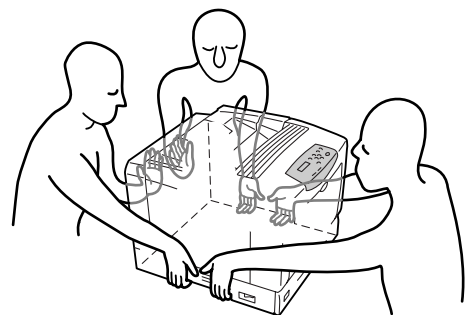
 Do not place the machine in a hot, humid, dusty, or poorly ventilated environment. Prolonged exposure to these adverse conditions can cause fire or electric shocks.


 Do not place the machine near heaters or volatile, flammable, or combustible materials such as curtains that may catch fire.

 Place the machine on a level and sturdy surface that can withstand the machine weight. If tilted, the machine may fall over and cause injuries.

 The machine (including the consumables) weighs 41.6 kg/42.6 kg (DocuPrint C3055/ DocuPrint C3055 DX). When moving the equipment, make sure that there are three or more persons carrying it.

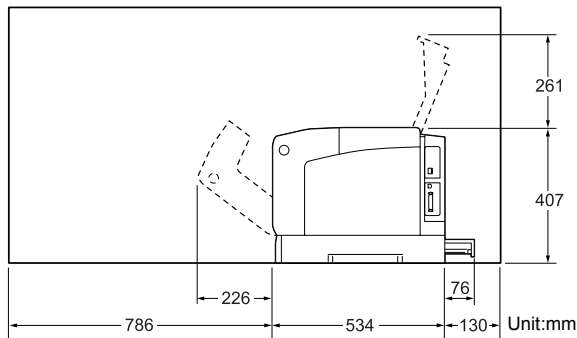
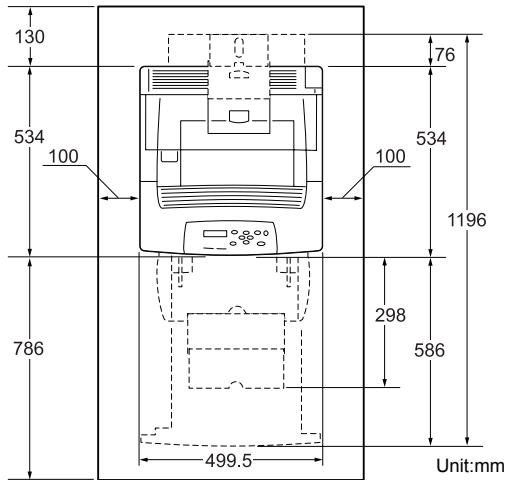
 When lifting the machine, firmly grip the recessed areas on both sides of the machine with three or more persons. Lifting the machine by gripping any other areas can cause the machine to fall and result in injuries.



 When lifting the machine, get a firm footing and bend your knees to avoid possible injuries to your back.



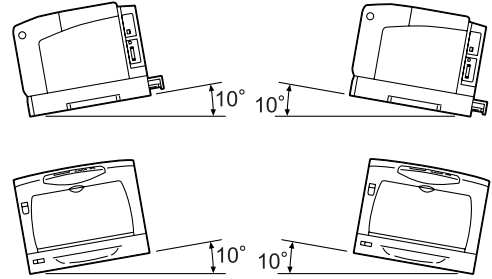
The machine has ventilation holes on the side, rear, and top panels. Ensure that the machine is installed with the minimum wall clearances of 130 mm from the rear vent and 100 mm from the side vent. A poorly ventilated machine can cause excessive internal heat and fire. The accompanying diagram shows the minimum clearances required for normal operation, consumables replacement, and maintenance to ensure your machine operates at peak performance.



When moving the machine, be sure to unplug the power cord from the outlet unless specifically instructed in the related manuals. If the machine is moved with the power cord connected, it can cause damage to the cord which could result in fire or electric shocks.



When moving the machine, do not tilt it more than 10 degrees. If tilted excessively, the machine may fall over and cause injuries.



When the optional cabinet or castor base is installed, be sure to lock the castor stoppers. An unlocked machine may fall over or slide and cause injuries.

For Power & Earth Connection

WARNING



The power specifications are listed below. The specifications that apply to your machine depend on your machine configuration. Connect the power plug only to a properly rated power outlet. Otherwise, it can cause fire or electric shocks. If in doubt, contact our Customer Support Center or dealers.

- Rated voltage 110-120 V
Rated frequency 50/60 Hz
- Rated voltage 220-240 V
Rated frequency 50/60 Hz




Ensure that the plug connection is free of dust. In a damp environment, a contaminated connector can draw a non-negligible amount of current that can generate heat and eventually cause fire over an extended period of time.





Always use the power cord provided with your machine. When an extension power cord is required, always use a properly rated cord.


- In Japan: 125 V/15 A
- In other countries: Contact our Customer Support Center or dealers.


If you use a cord with an unspecified current rating, the machine or plug may emit smoke or become hot to the touch externally.

 Only use the power cord supplied with the equipment. Using a different power cord may cause fire or electric shock. Do not use the power cord supplied with the equipment on any other equipment.

 Do not attempt to rework, pull, bend, chafe, or otherwise damage the power cord. Do not place a heavy object on the cord. A damaged cord can cause fire or electric shocks.

 Never touch a power cord with wet hands. Danger of electric shock exists.

 Stop operation immediately if your machine produces smoke, excessive heat, unusual noise, or smell, or if water is split onto the machine. These conditions can cause fire. Immediately switch off and unplug the machine, and contact our Customer Support Center or dealers.

 To prevent fire or electric shocks, follow the instruction below based on your machine configuration. If in doubt, contact our Customer Support Center or dealers.

- If your machine is a 220-240 V model, there is no need to attach a separate earth line since the earth connection is incorporated in the power line. Plug it into a properly rated outlet.
- If your machine is a 100 or 110 V model, use the green earth wire that extends from the power plug.


The earth wire must be connected to one of the following conductors:

- Earth terminal of the specified power outlet
- A piece of copper buried in the earth 750 mm or deeper
- Earth terminal with Class D* earthing.
*Class D is the regulation for Japan only.


Never connect the earth wire to any of the following:


- Gas pipe, which can be ignited and explode
- Telephone line earth wire or lightning rod, which can draw an excessive electric current if hit by lightning


- Water faucet or pipe whose electrical conductivity is broken by a non-metal part


 If the power cord is broken or insulated wires are exposed, ask our Customer Support Center or dealers for a replacement. Using a damaged cord can cause fire or electric shocks.

CAUTION

 Do not unplug or replug the machine while it is on. Unplugging a live connector can deform the plug and cause fire.


 When unplugging the machine, grasp the plug instead of the cord. Forcibly pulling on a cord can damage it and cause fire or electric shocks.

 Be sure to switch off and unplug the machine before accessing the interior of the machine for cleaning, maintenance, or fault clearance. Access to a live machine's interior can cause electric shocks.

 Once a month, unplug the machine and check the power cord for the following:

- The power cord is plugged firmly into a receptacle.
- The plug is not excessively heated, rusted, or bent.
- The plug and receptacle are free of dust.
- The cord is not cracked or frayed.

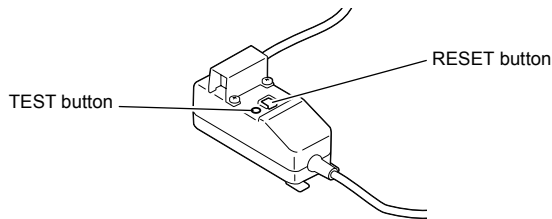
If you notice any unusual conditions, contact our Customer Support Center or dealers.


 The power cord set of our company has an earth fault interrupter. In the event of a current leakage, the interrupter will automatically cut off the power circuit to prevent any leakages or fire from occurring. Once a month, check the protection circuit for correct operation using the following procedure:


1. Press the TEST button on the power cord set with a thin stick or similar object.
2. Verify that the RESET button is popped up.

- If the interrupter functions properly, press the RESET button to exit the test mode.

If the circuit does not operate, an electric shock can occur on a poorly earthed component. If you notice any unusual condition, contact our Customer Support Center your dealers.





 When the machine is not used over an extended period of time, switch it off and unplug it. If an unused machine is left connected to a power source for a long period, degraded insulation can cause electric shocks, current leakages, or fire.


 Switch off the machine before connecting the interface cable or optional accessories. Connecting the cable or optional accessories with a live machine can cause electric shocks.


For Machine Operation


WARNING


 Do not place any liquid container such as a vase or coffee cup on the machine. Spilt water can cause a fire or shock hazard.

 Do not place any metal parts such as staples or clips on the machine. If metal and flammable parts get into the machine, they can short-circuit internal components, and cause fire or electric shocks.


 If debris (metal or liquid) gets into the machine, switch off and unplug the machine. Contact our Customer Support Center or dealers. Operating a debris-contaminated machine can cause fire or electric shocks.


 Never open or remove machine covers that are secured with screws unless specifically instructed in the related manuals. A high voltage component can cause electric shocks.


 Do not try to alter the machine configuration, or modify any parts. An unauthorized modification can cause smoke or fire.

 This equipment is certified as a Class 1 laser product under [IEC60825-1]. This means that the machine does not emit hazardous laser radiation. Since radiation emitted inside the machine is completely confined within the protective housings and external covers, the laser beam cannot escape from the machine during any phase of user operation. Do not perform any operation apart from the instructions given in the manual. There may be a danger of laser beam leakage.

CAUTION


 Do not use a highly flammable spray or solvent near the machine. It can cause fire.

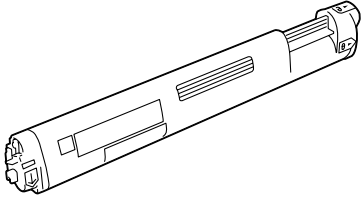
 Never touch a labelled area found on or near the fuser unit. You can get burnt. If a sheet of paper is wrapped around the heat roller, do not try to remove it by yourself to avoid injuries or burns. Switch off the machine immediately, and contact our Customer Support Center or dealers.


 When removing jammed paper, make sure that no pieces of torn paper are left in the machine. A piece of paper remaining in the machine can cause fire. If a sheet of paper is wrapped around the heat roller, or when clearing a jammed paper that is difficult or impossible to see, do not try to remove it by yourself. Doing so can cause injuries or burns. Switch off the machine immediately, and contact our Customer Support Center or dealers.

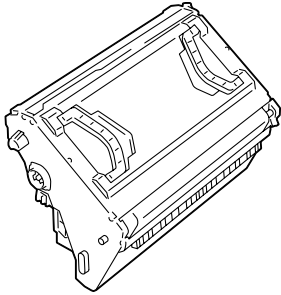
For Consumables


WARNING

-  Never throw a toner cartridge into an open flame. It can cause an explosion and you can get burnt.



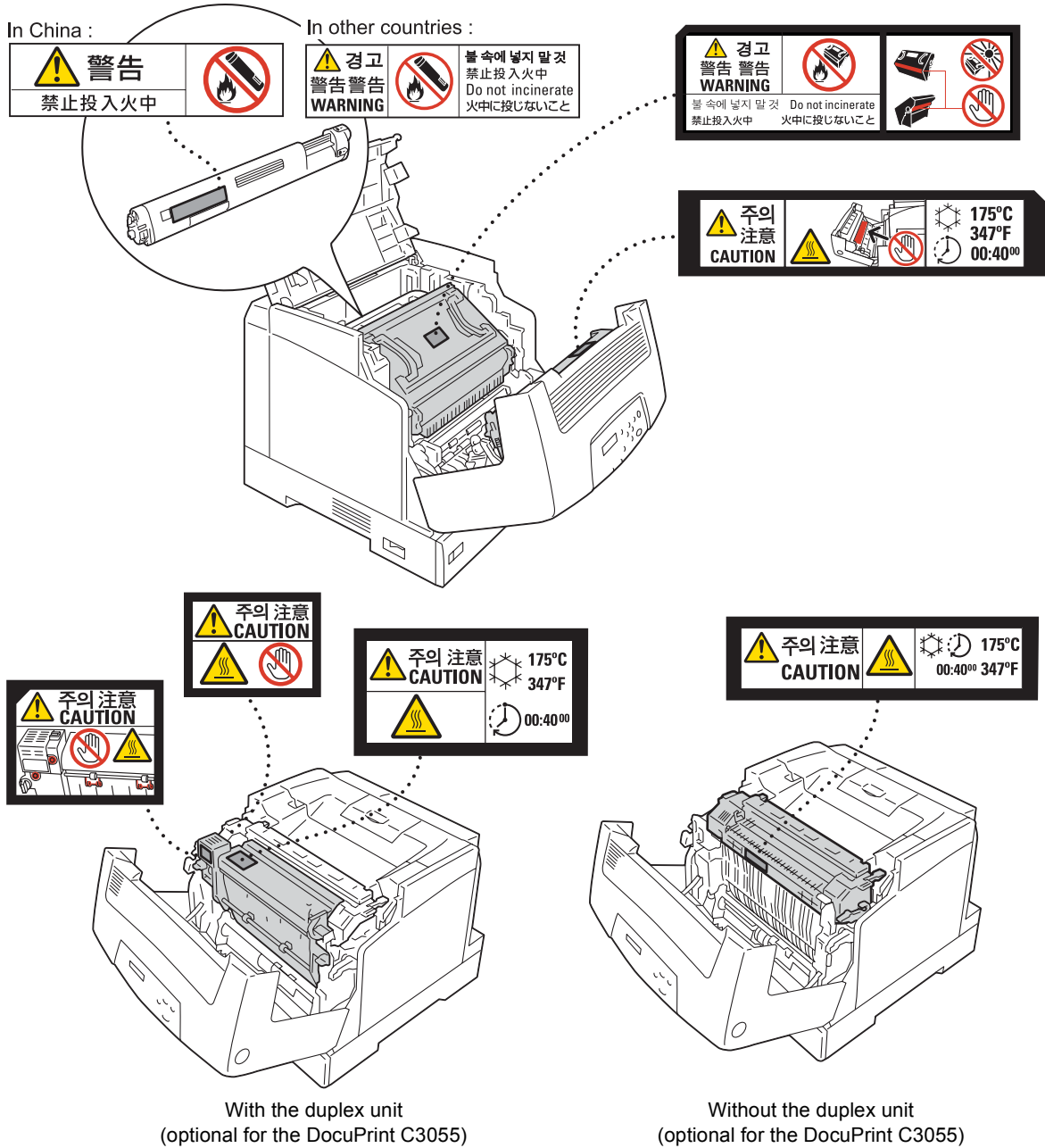
-  Never throw a drum cartridge into an open flame. Toner remaining in the cartridge can cause an explosion and you can get burnt.



-  Never use a vacuum cleaner when you clean spilled toner. It can cause explosion as the toner fills the vacuum cleaner and gets sparks. Use a broom or a wet cloth.

Warning and Caution Labels

Be sure to follow the warning and caution labels placed on the machine. Do not touch areas with labels indicating high voltage or temperature. This can cause an electric shock or burn.



About License

RSA BSAFE (For the Models Other than those Available in China)



This product (network expansion card (optional)) includes RSA BSAFE encryption software from RSA Security Inc.

JPEG Code

Our printer software uses some of the codes defined by the Independent JPEG Group.

Illegal Copies and Printouts

Copying or printing certain documents may be illegal in your country. Penalties of fines or imprisonment may be imposed on those found guilty. The following are examples of items that may be illegal to copy or print in your country.

- Currency
- Banknotes and checks
- Bank and government bonds and securities
- Passports and identification cards
- Copyright material or trademarks without the consent of the owner
- Postage stamps and other negotiable instruments

This list is not inclusive and no liability is assumed for either its completeness or accuracy. In case of doubt, contact your legal counsel.

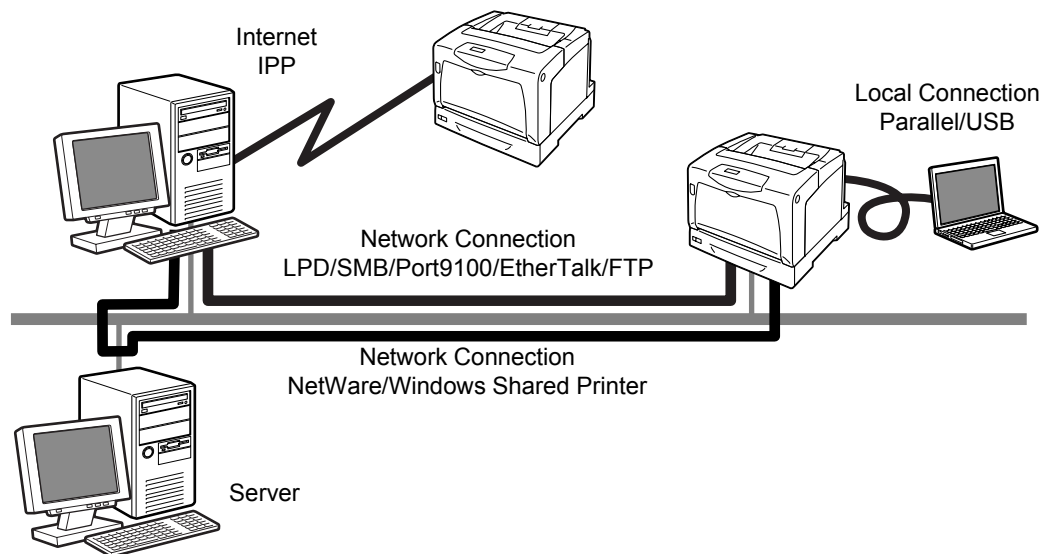
1 Printer Environment Settings

When you are finished installing your printer using the 'Setup Guide', go on to set up its operating environment.

1.1 Supported Operating Environments

The printer can be used both as a local and a network printer. When used as a local printer, the printer is connected directly to a computer. When used as a network printer, the printer is connected to a computer over a network.

Set all ports you want to use to [Enable] on the control panel.



■ Using the Printer as a Local Printer

When using the printer as a local printer, the printer and a computer can be connected using the following methods:

- Parallel connection :Connecting the printer and a computer using a parallel cable (default: [Enable])
- USB connection :Connecting the printer and a computer using a USB cable. (default: [Enable])

■ Using the Printer as a Network Printer

When using the printer as a network printer, the printer can be set up in the following environments:

- LPD : Used when using TCP/IP protocol to enable direct communication between the printer and a computer. (default: [Enable])
- Port9100 : Used when using a Port9100 port. (default: [Enable])
- FTP : Used when printing using an FTP service. (default: [Enable])

When the network expansion card (optional) is installed, the printer can be set up also in the following environments:

- NetWare® : Used when sharing and managing the printer using a NetWare server.
(default: [Enable])
- SMB : Used when printing using a Windows® network.
(default: [Enable])
- IPP : Used when printing via the Internet.
(default: [Enable])
- EtherTalk® : Used when printing from Macintosh®.
(default: [Enable])

■ Supported Operating Systems and Operating Environments

Note

- The supported operating systems are subject to change without prior notice. Visit our web site for the latest information.

Connection Method	Local		Network								
	Parallel	USB ^{*2}	LPD	NetWare ^{*1}			SMB ^{*1}		IPP ^{*1}	Port 9100	Ether Talk ^{*1}
Protocol	-	-	TCP/IP	TCP/IP	IPX/SPX	Net BEUI	TCP/IP	TCP/IP	TCP/IP	Apple Talk	TCP/IP
Windows [®] 95	○		○ ^{*4}	○	○	○	○		○ ^{*4}		○
Windows [®] 98	○	○ ^{*3}	○ ^{*4}	○	○	○	○		○ ^{*4}		○
Windows [®] Me	○	○	○ ^{*4}	○	○	○	○	○	○ ^{*4}		○
Windows NT [®] 4.0	○		○	○	○	○	○				○
Windows [®] 2000	○	○	○	○	○	○	○	○	○		○
Windows [®] XP	○	○	○	○	○		○	○	○		○
Windows Server [™] 2003	○	○	○	○	○		○	○	○		○
UNIX			○ ^{*5}								○
Mac OS [®] ^{*6} 7.6.1 - 9.2.2		○ ^{*7}								○	
Mac OS X ^{*6} 10.1.5/10.2.8/ 10.3.9/10.4		○	○					○ ^{*8}		○	

*1: The network expansion card (optional) must be installed.

*2: USB port must be set on the computer connected to the printer. On Windows 98/Me, USB Print Utility (software by Fuji Xerox Co., Ltd.) must be used. USB Print Utility can be installed from the CD-ROM of the Driver CD Kit included with the printer.

*3: Supported on Windows 98 Second Edition or later.

*4: On Windows 95/98/Me, TCP/IP Direct Print Utility (software by Fuji Xerox Co., Ltd.) must be used. TCP/IP Direct Print Utility can be installed from CD-ROM of the Driver CD Kit included with the printer.

*5: To print PostScript[®] data on the DocuPrint C3055, the PostScript software kit (optional) must be installed.

*6: To print PostScript data on the DocuPrint C3055 from Macintosh computers, the PostScript software kit (optional) must be installed. On Mac OS X 10.3.9 or later, you can print using a Macintosh print driver. Visit our web site for details.

*7: Supported on Mac OS 8.6 or later.

*8: Supported on Mac OS X 10.3.9 or later.

Note

- For information on how to print PostScript data, refer to the manual on the PS Driver Library CD.
- When installing the PostScript software kit on the DocuPrint C3055, additional memory of 256 MB or above is recommended.

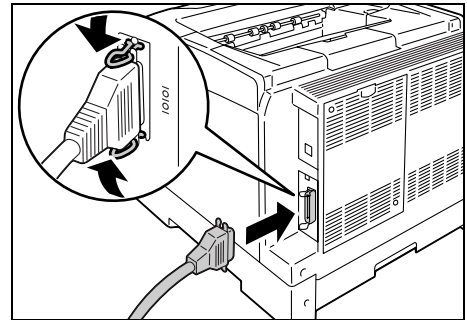
1.2 Connecting a Cable

Connect the printer to your computer using an interface cable appropriate for your connection method.

An interface cable is not included with the printer. You must purchase it separately.

Parallel Connection

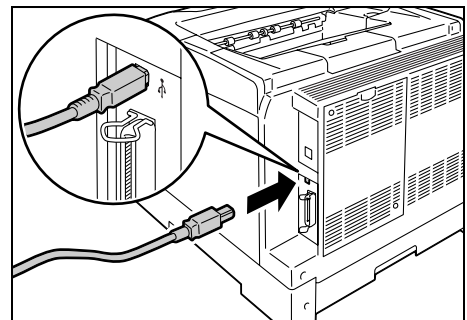
1. Switch the printer off.
2. Plug the parallel cable into the interface connector on the printer.
Secure the parallel cable into the connector using the metal pieces on both sides of the connector.
3. Plug the other end of the parallel cable into your computer.
4. Switch the printer on.



USB Connection

When using USB connection, install a print driver on your computer before connecting the cable. For installation instructions, refer to the "1.6 Installing a Print Driver" (P. 32) or the 'CD-ROM Documentation (HTML)' on the CD-ROM of the Driver CD Kit.

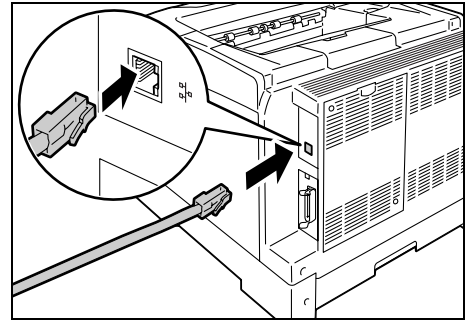
1. Switch the printer off.
2. Plug the USB cable into the interface connector on the printer.
3. Plug the other end of the USB cable into your computer.
4. Switch the printer on.



Network Connection

Use a straight-type network cable that supports 100BASE-TX or 10BASE-T.

1. Switch the printer off.
2. Plug the network cable into the interface connector on the rear side of the printer.
3. Plug the other end of the network cable into a network device such as a hub.
4. Switch the printer on.



1.3 Setting the Network Environment

This section explains how to install your printer in a TCP/IP environment.

When installing the printer in a different environment, refer to the 'CD-ROM Documentation (HTML)' on the CD-ROM of the Driver CD Kit.

Setting the IP Address

To use TCP/IP protocol, you must configure an IP address for the printer.

By default, the printer is set to obtain its IP address (via the [Get IP Address] setting on the control panel) using [DHCP/Autonet]. Thus, when the printer is connected to a network that has a DHCP server, the printer automatically obtains its IP address from the server.

Print the [Printer Settings] list to see if the printer already has an IP address.

If the printer does not have an IP address, set [Get IP Address] to [Panel] and configure the address.

Network	
Firmware Version	94.06
MAC Address	08:00:37:50:08:29
Ethernet Settings	Auto
TCP/IP	
Get IP Address	DHCP/Autonet
IP Address	192.168.1.100
Subnet Mask Address	255.255.255.0
Gateway Address	192.168.1.254
Status	Ready

If an IP address is listed, skip the following procedure.

If an IP address is not listed, or if you want to change the current IP address, configure the setting using the following procedure.

Note

- For information on how to print the [Printer Settings] list, refer to "7.2 Printing the Reports/Lists" (P. 171).
- The printer can obtain its IP address also by using a BOOTP or RARP server. If using a BOOTP or RARP server, set [Get IP Address] to [BOOTP] or [RARP].
- If using a DHCP server, the printer's IP address may change without notice. Make sure to check the address periodically.
- To use DHCP in a WINS (Windows Internet Name Service) environment, the network expansion card (optional) must be installed.

Use the following procedure to configure the printer's IP address on the control panel.

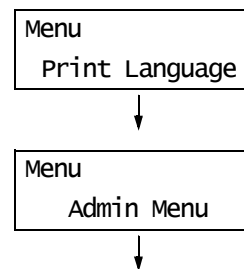
Depending on your network environment, your printer also needs a subnet mask and gateway address. Consult your network administrator for the settings required for your printer.

■ To Set the IP Address

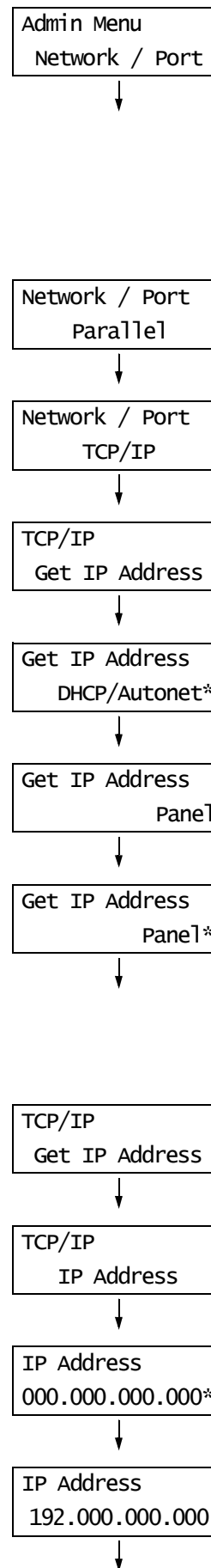
1. Press the <Menu> button on the control panel to display the menu screen.
2. Press the <▼> button until [Admin Menu] is displayed.

Note

- If you went past the desired item, return to the item by pressing the <▲> button.



3. Press the <▶> button to accept the selection.
[Network/Port] is displayed.
- Note**
- If you pressed the <▶> button on the wrong item, return to the previous screen by pressing the <◀> button.
 - To start over from the beginning, press the <Menu> button.
4. Press the <▶> button to accept the selection.
[Parallel] is displayed.
 5. Press the <▼> button until [TCP/IP] is displayed.
 6. Press the <▶> button to accept the selection.
[Get IP Address] is displayed.
 7. Press the <▶> button to accept the selection.
The current setting is displayed.
 8. Press the <▼> button until [Panel] is displayed.
 9. Confirm your selection by pressing the <Eject/Set> button.
The display shows [Reboot to apply settings] for 3 seconds and returns to the setting screen.
You will reboot the printer after setting the gateway address. Go on to the next step.
 10. Press the <◀> button to return to [Get IP Address].
 11. Press the <▼> button to display [IP Address].
 12. Press the <▶> button to accept the selection.
The current IP address is displayed.
 13. Enter the value in the first field using the <▲> or <▼> button, and press the <▶> button.



Note

- If you do not need to change the setting, press the <▶> button to advance to the next field.
- Pressing the <▲> and <▼> buttons simultaneously increments the value by 10.
- To return to the previous field, press the <◀> button.

14. Enter the rest of the fields in the same manner. After entering the last (4th) field, press the <Eject/Set> button to confirm your entry.

IP Address
192.168.001.100*

15. If you want to set a subnet mask and gateway address, press the <◀> button and proceed to Step 16.
If you want to finish the setting, proceed to Step 23.

■ To Set the Subnet Mask/Gateway Address

16. Press the <▼> button until [Subnet Mask] is displayed.

TCP/IP
Subnet Mask

17. Press the <▶> button to accept the selection.
The current subnet mask is displayed.

Subnet Mask
000.000.000.000*

18. Enter the subnet mask in the same way you entered the IP address, and press the <Eject/Set> button to confirm your entry.

Subnet Mask
255.255.255.000*

19. Press the <◀> button to return to [Subnet Mask].

TCP/IP
Subnet Mask

20. Press the <▼> button to display [Gateway Address].

TCP/IP
Gateway Address

21. Press the <▶> button to accept the selection.
The current gateway address is displayed.

Gateway Address
000.000.000.000*

22. Enter the gateway address in the same way you entered the IP address, and press the <Eject/Set> button to confirm your entry.

Gateway Address
192.168.001.254*

23. The setting is now complete.
Reboot the printer by switching the power off and then on again.

24. Print the [Printer Settings] list to verify your settings.

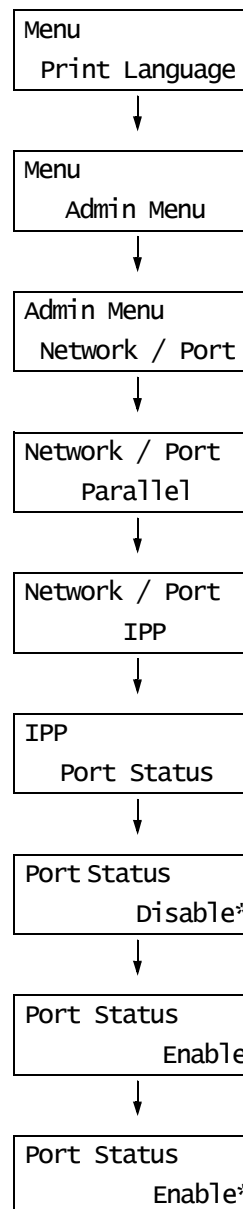
1.4 Enabling Ports

Set all ports you want to use to [Enable] on the control panel.

Use the following procedure to enable each port.

The following procedure uses IPP as an example.

1. Press the <Menu> button on the control panel to display the menu screen.
2. Press the <▼> button until [Admin Menu] is displayed.
3. Press the <▶> button to accept the selection.
[Network/Port] is displayed.
4. Press the <▶> button to accept the selection.
[Parallel] is displayed.
5. Press the <▼> button until the desired protocol is displayed. (Example: IPP).
6. Press the <▶> button to select the protocol.
[Port Status] is displayed.
7. Press the <▶> button to accept the selection.
The current setting is displayed.
8. Press the <▼> button to display [Enable].
9. Press the <Eject/Set> button to confirm the selection.
The display shows [Reboot to apply settings] for 3 seconds and returns to the setting screen.
10. The setting is now complete.
Reboot the printer by switching the power off and then on again.



1.5 Configuring the Printer Using CentreWare Internet Services

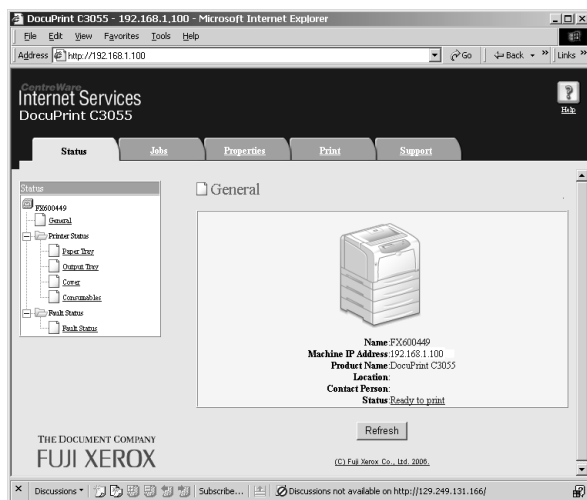
Overview of CentreWare Internet Services

CentreWare Internet Services is a service that allows you to monitor or remotely configure the printer using a web browser when the printer is on a TCP/IP network.

Some of the control panel settings can be set also on the service's [Properties] tab.

Note

- CentreWare Internet Services cannot be used when your printer is a local printer.



Supported Operating Environments

■ Supported Web Browsers

CentreWare Internet Services has been tested to work on the following web browsers.

On Windows 2000 or Windows XP

- Netscape® Communicator 7.1
- Microsoft® Internet Explorer 6.0
- Mozilla Firefox 1.5

On Mac OS X 10.4

- Mozilla Firefox 1.5
- Safari 2.x

■ Setting Up a Web Browser

When accessing CentreWare Internet Services, we recommend you to set your web browser:

- not to use a proxy server when specifying the printer's IP address.
- to enable JavaScript.

Note

- If you access CentreWare Internet Services using a proxy server, the response from the service may be slow or the window of the service may not display.
- Some buttons on the service do not appear when JavaScript is not running or disabled. In such case, the buttons are displayed as URL links.
- For information on how to set up your web browser, refer to the online help for the web browser.

If you want to change the display language of CentreWare Internet Services, change the display language of your web browser.

Note

- For information on how to change the display language of your web browser, refer the online help for the web browser.

■ Setting Up the Printer

To use CentreWare Internet Services, you must configure the printer's IP address and enable [InternetServices] (default: [Enable]). When [InternetServices] is set to [Disable], change it to [Enable] on the control panel.

Refer to

- "[Internet Services]" (P. 109)
- "1.4 Enabling Ports" (P. 27)

CentreWare Internet Services Setting Items

The followings are the main features on each tab of CentreWare Internet Services.

Tab Name	Feature
Status	<ul style="list-style-type: none"> • General Displays the printer's product name, IP address, and status. • Printer Status Displays the sizes and remaining volumes of the paper loaded in the paper trays, the status of the output tray, and the remaining life of the toner cartridges and drum cartridge. • Fault Status Displays the status of the control panel and error information (error location and details).
Jobs	<ul style="list-style-type: none"> • Displays the job status list and job history list.
Properties	<ul style="list-style-type: none"> • Description Displays the printer's product name and serial number. It also sets the printer's name*, installation location*, contact person*, and administrator's e-mail address*. • Configuration Displays the specifications of the print features, page description languages, and memory information. • Usage Counters Displays the total number of color and monochrome pages printed to date. • Initialization Initializes the NV memory or reboots the printer. • Security* Creates/manages/deletes self-signed certificates and enables SSL/TLS communication. This item appears only when the network expansion card (optional) is installed. • StatusMessenger* The printer can notify its status via e-mail to users who have been registered through this feature. You can set the e-mail addresses of the users and the items or events that the users will be notified of. • Internet Services Settings* Sets whether or not to automatically update the window of CentreWare Internet Services and the interval at which the window is updated (in seconds). This also enables or disables the Administrator Mode and sets the administrator's ID and password, if the Administrator Mode is enabled. The default system administrator ID and password are "11111" and "x-admin", respectively. Make sure to change the password before using the Administrator Mode. • Port Status Enables or disables each port. • Port Settings Sets the settings for Ethernet. • Protocol Settings* Sets the details of each protocol.
Print	<ul style="list-style-type: none"> • Print Auditor* This feature allows you to control user access to the printer. If enabling this feature, register users who are granted access to the printer. • Logical Printer Settings* Sets PostScript and ESC/P logical printers. On the DocuPrint C3055, [PostScript] appears only when the PostScript software kit (optional) is installed.
Support	<ul style="list-style-type: none"> • Displays a link to customer support.

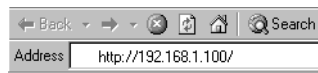
* These items can be configured only on CentreWare Internet Services and not on the control panel.
The security features are not supported on the model available in China.

Using CentreWare Internet Services

Follow these steps when accessing CentreWare Internet Services.

1. Start your computer and launch a web browser.
2. In the URL field, enter the IP address or URL of the printer, and press the <Enter> key. The top page of CentreWare Internet Services is displayed.

• Example - IP address



• Example - URL



Note

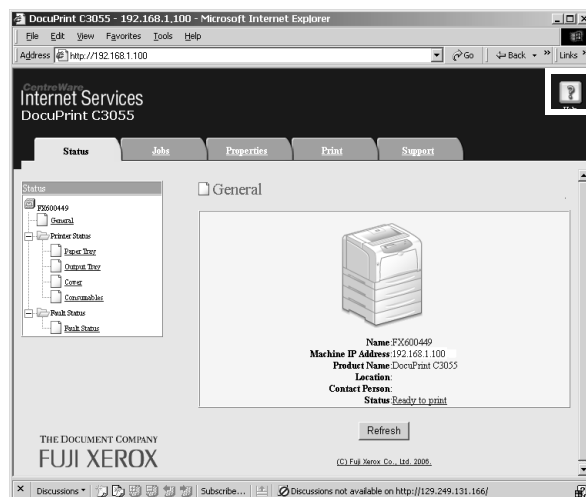
- When specifying a port number, enter a ":" (colon) and then "80" (the factory default port number) after the address. To find out the printer's port number, print the [Printer Settings] list from the printer.
- The port number can be changed under the [Properties] tab > [Protocol Settings] > [HTTP]. If you change the port number, you must enter a ":" (colon) and then the port number after the address.



- When SSL/TLS server communication is enabled, enter "https" before the address instead of "http". This feature is not supported on the model available in China.
- For information about the Authentication/Auditron Administration and data encryption features, refer to "7.6 Security Features" (P. 179) and "7.8 Authentication and Auditron Administration Features" (P. 188).

Using the Online Help

For details on each setting item, refer to the online help for CentreWare Internet Services. You can browse the online help by clicking the [Help] button on the service.



1.6 Installing a Print Driver

To print from your computer, install a PCL print driver using the CD-ROM of the Driver CD Kit.

The installation procedure varies depending on how your computer is connected to the printer.

For installation instructions, refer to the 'CD-ROM Documentation (HTML)' on the CD-ROM.

Note

- Refer to the 'CD-ROM Documentation (HTML)' also when installing USB Print Utility or other software.
- For information about PostScript print drivers, refer to the manual included in the PS Driver Library CD. For the DocuPrint C3055, PostScript print drivers are included in the PostScript software kit (optional).

Uninstalling a Print Driver and Other Software

■ To Uninstall a Print Driver

Your print driver can be uninstalled using the uninstallation tool contained on the CD-ROM of the Driver CD Kit. For more information, refer to the 'CD-ROM Documentation (HTML)' on the CD-ROM.

■ To Uninstall Other Software

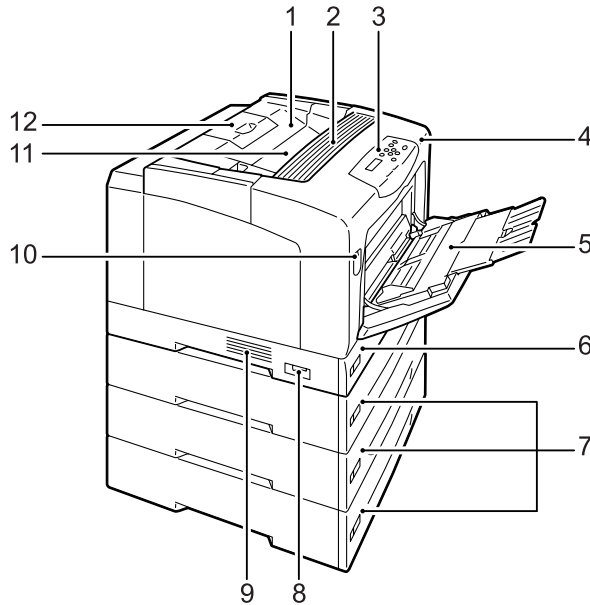
When uninstalling other software installed from the Driver CD Kit, refer to the "Readme" file provided for each software. The "Readme" files can be viewed under the 'Product Information (HTML)' in the Driver CD Kit.

2 Basic Operation

2.1 Main Components and Functions

Main Unit

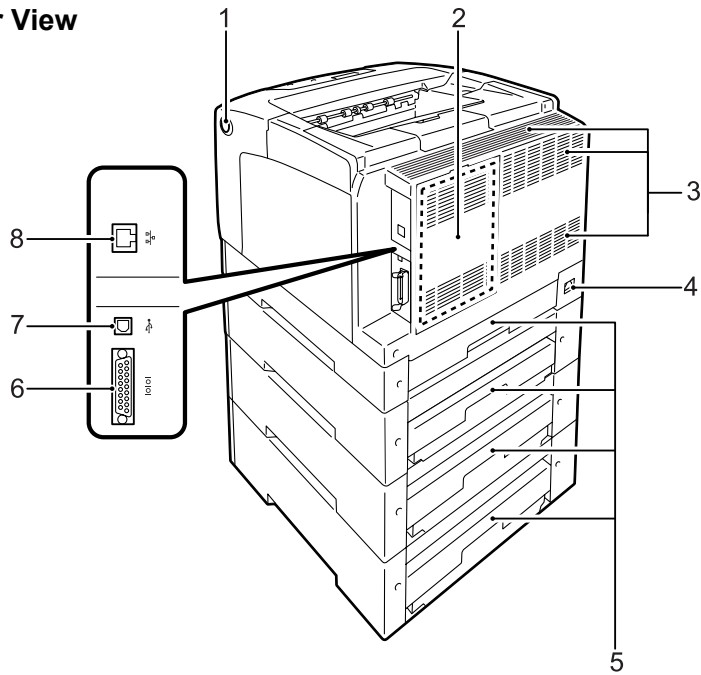
Front/Left View

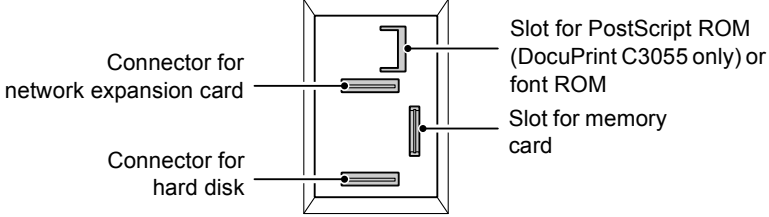


No.	Name	Description
1	Top cover	Opened when replacing the toner cartridges.
2	Ventilation hole	Releases heat to prevent the interior of the printer from overheating. Important <ul style="list-style-type: none">Do not place any objects on the ventilation hole. Locking the ventilation hole causes heat build-up in the printer, which causes the printer to malfunction.
3	Control panel	Consists of the control buttons, indicator lamps, and a display. For details, refer to "Control Panel Display" (P. 37).
4	Front cover	Opened when replacing the drum cartridge or clearing paper jams. This can be opened using the lever A or button B. This is sometimes called the cover A when opened using the lever A, and the cover B when opened using the button B.
5	Bypass tray	Load paper here when printing using the bypass tray. The bypass tray can accommodate plain paper and special media such as postcards and envelopes. It can be extended in two stages as necessary.
6	Tray 1	Load paper here. This is the standard paper tray.
7	Trays 2, 3, & 4 (500 sheet feeders (optional))	Load paper here when the optional 500 sheet feeders (hereinafter referred to as "sheet feeders") are installed. The above illustration shows the printer with three sheet feeders.
8	Power switch	Switches the printer on/off. Pressing this to the < > position switches the power on, and pressing it to the <O> position switches the power off.
9	Ventilation hole	Releases heat to prevent the interior of the printer from overheating.
10	Lever A	Pushed up to open the front cover when replacing the drum cartridge or clearing paper jams.

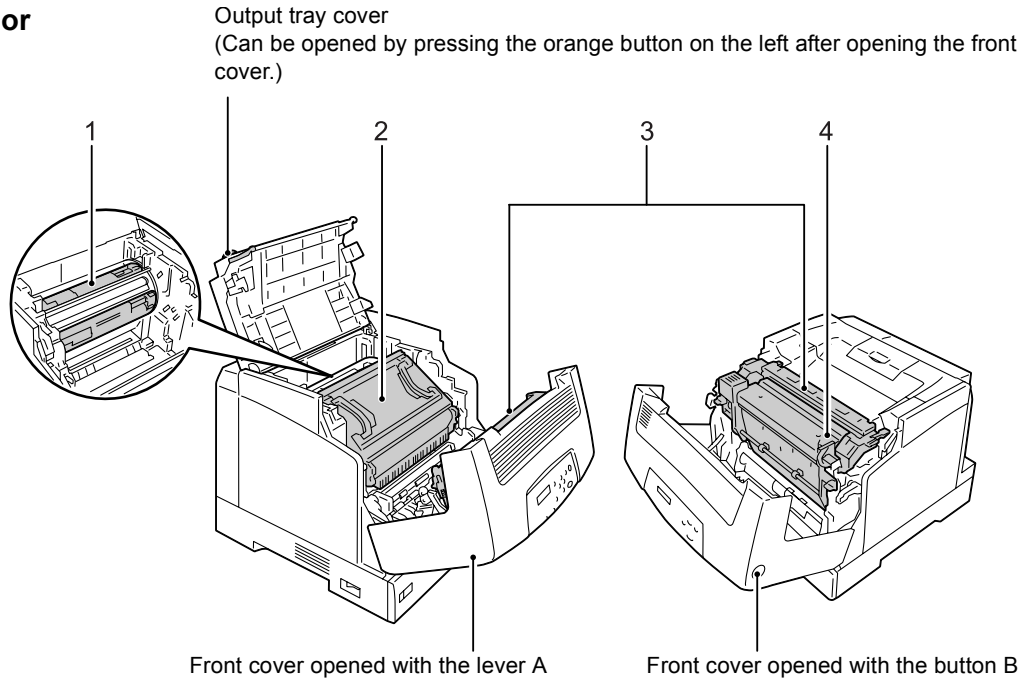
No.	Name	Description
11	Output tray	Delivers printed output face down.
12	Extension output tray	Extended to prevent output from falling off the output tray. This can be extended in two stages.

Right/Rear View



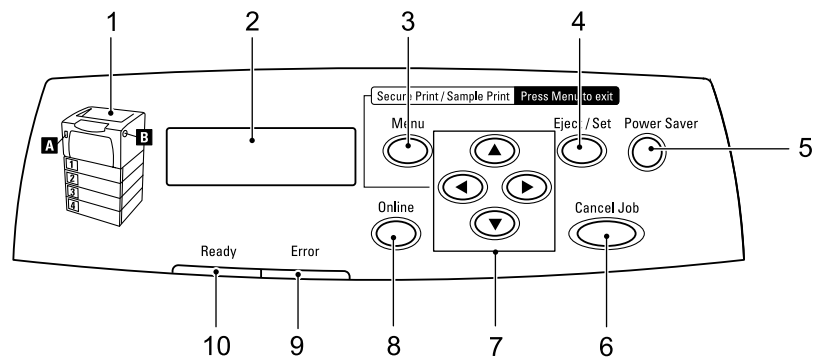
No.	Name	Description
1	Button B	Pressed to open the front cover when installing the duplex unit (if your printer is the DocuPrint C3055) or clearing paper jams.
2	Rear cover	Removed when installing the optional hard disk, a memory card, or a ROM. Controller board with the rear cover open 
3	Ventilation hole	Releases heat to prevent the interior of the printer from overheating. Important <ul style="list-style-type: none"> Locking the ventilation hole causes heat build-up in the printer, which causes the printer to malfunction.
4	Power cord connector	Connects a power cord to the printer.
5	Tray covers	The rear covers for the paper trays.
6	Parallel connector	Connects a parallel cable to the printer.
7	USB connector	Connects a USB cable to the printer.
8	Network connector	Connects a network cable to the printer. A network cable is used when connecting the printer to a network.

Interior



No.	Name	Description
1	Toner cartridges	Each contains toner of one of four colors: black, yellow, magenta, and cyan. During printing, the part of the printer that holds the cartridges rotates, and the cartridges deposit toner on paper.
2	Drum cartridge	Consists of a photosensitive drum, an intermediate transfer belt, and a waste toner box. An electric charge is first projected on the drum and develops a print image on the drum's surface.
3	Fuser Unit	Fuses toner onto paper by means of heat and pressure. Important <ul style="list-style-type: none"> Do not touch the fuser unit while the printer is in operation. The fuser unit becomes very hot during printing.
4	Duplex unit	Enables 2-sided printing. This is optional for the DocuPrint C3055.

Control Panel



No.	Name	Description
1	Indicator	In the event of an error, use this to verify the location of the button indicated in an error message displayed on the LCD display.
2	LCD display	Displays the status of the printer, menu options, and messages. Refer to • "Control Panel Display" (P. 37)
3	<Menu> button	Pressed to display the menu screen.
4	<Eject/Set> button	Pressed to confirm the menu option selected on the menu screen. This button is used also when printing reports/lists.
5	<Power Saver> button/lamp	Pressed to exit the Power Saver mode. This button/lamp lights when the printer is the Power saver mode and blinks when the hard disk (optional) is being accessed.
6	<Cancel Job> button	Pressed to stop printing.
7	<▲>, <▼>, <◀>, <▶> button	Pressed to advance to the next menu, item, or option. The <◀> button is used also when using the Security/Sample Print feature. Note • Holding down the <▲> or <▼> button scrolls through menus, items, and options in a circular fashion. Pressing the <▲> and <▼> buttons simultaneously displays the default values. • To use the Security/Sample Print feature, the hard disk (optional) must be installed.
8	<Online> button	Pressed to switch the printer to offline status. When the printer is offline, the <Ready> lamp goes off and the printer becomes unable to print. Pressing this button again switches the printer from offline to online (ready-to-print status).
9	<Error> lamp	Blinks or lights when an error occurs.
10	<Ready> lamp	Lights when the printer is ready to print.

Control Panel Display

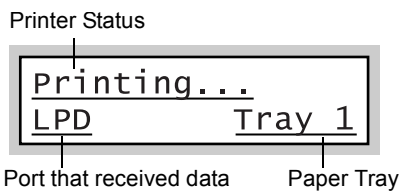
The display shows two types of screens: the print screen and menu screen. The print screen displays messages that show the status of the printer. The menu screen displays menus that allow you to set various settings for the printer.

Note

- The messages on the display vary depending on the printer status and the options installed.

Print Screen

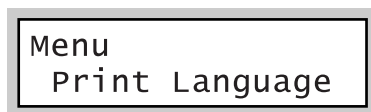
When the printer is printing or waiting for data, the print screen is displayed on the display. The following is an example of the print screen of when the printer is printing.



Menu Screen

The menu screen displays menus that allow you to set various settings for the printer.

To display the menu screen, press the <Menu> button. The following is the first page of the menu screen.



Refer to

- For information about the menu items in the menu screen, refer to "5 Control Panel Menus" (P. 90).

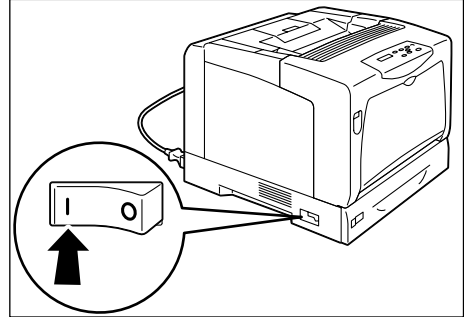
2.2 Switching On/Off the Power

Switching On the Power

1. Press the power switch to the <I> position.
2. When the power is switched on, the display reads [Please wait...]. Wait until the message changes to [Ready to print].

Note

- When the display reads [Please wait...], the printer is warming up and is not ready to print yet.
- If an error message is displayed, refer to "Error Messages (in Alphabetical Order)" (P. 148) to remedy the error.

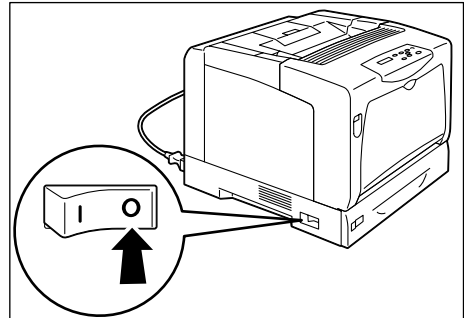


Switching Off the Power

Important

- The <Power Saver> lamp blinks when the hard disk is being accessed when the printer is in the Power Saver mode. Do not switch the power off when the <Power Saver> lamp is blinking.
- Do not switch the power off when the display reads [Please wait...].
- Do not switch the power off during printing. Doing so can cause paper jams.
- Switching the power off erases the print data remained in the printer and the information stored in the printer's memory.

1. Make sure that printer is not in operation by checking the display or indicator lamps.
2. Press the power switch to the <O> position.

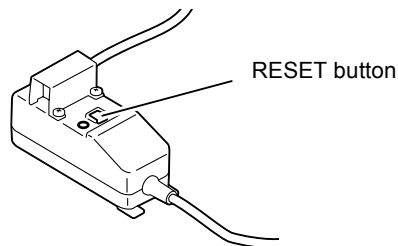


2.3 About the Earth Fault Interrupter

The power cord set of the printer has an earth fault interrupter.

In the event of current leakage, the interrupter automatically shuts off the flow of electric current to prevent any current leakage or fire from occurring.

If the interrupter trips (if the <RESET> button is popped up), press the <RESET> button. If the interrupter trips again immediately, contact our Customer Support Center or your dealers.



Once a month, switch the printer off and test if the interrupter is functioning normally. Using a failed interrupter puts your printer at risk of electric shock.

If your interrupter is not functioning normally, contact our Customer Support Center or your dealers.

Refer to

- For information on how to test the interrupter, refer to "For Power & Earth Connection" (P. 12).

2.4 Setting/Exiting the Power Saver Modes

The printer has a power saving feature which reduces power consumption during periods of inactivity. This feature operates in two modes: the Low Power mode and Sleep mode.

As delivered, the printer switches to the Low Power mode 3 minutes after the receipt of the last print request. The printer then switches to the Sleep mode after another 5 minutes of inactivity.

When the printer is in the Low Power mode, the display shows [Ready/Standby]. In the Sleep mode, all lamps on the control panel except for the <Power Saver> button go out. The display also goes blank and displays nothing.

The factory default settings of 3 minutes (Low Power mode) and 5 minutes (Sleep mode) are changeable within the range of 1 - 60 minutes (Low Power mode) and 1 - 120 minutes (Sleep mode). The printer consumes less than 4 W in the Sleep mode, and returns to the ready-to-print state in about 30 seconds when re-activated.

Note

- You can program your printer to disable the Sleep mode unless your printer is the model available in China. The Sleep mode cannot be disabled on the Chinese model.
- For more information about the Low Power and Sleep modes and how to change their settings, refer to "Setting Example: Changing the Power Saver Mode Setting" (P. 93).

Exiting the Power Saver Modes

The printer automatically exits the Power Saver modes when it receives a print job from a computer.

To manually exit the Low Power mode, press any button on the control panel. To exit the Sleep mode, press the <Power Saver> button.

Note


- When the printer is in the Low Power mode, opening and closing a cover will cause the printer to exit the Low Power mode.
- When the printer is in the Sleep mode, all buttons on the control panel except for the <Power Saver> button do not function.
To use the buttons on the control panel, press the <Power Saver> button to exit the Sleep mode.

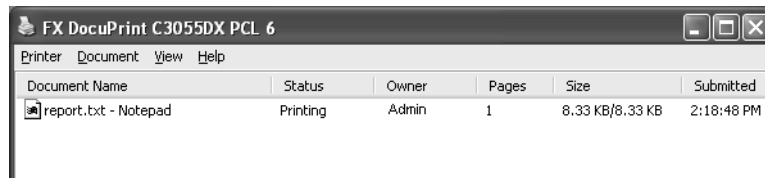
2.5 Cancellng/Checking a Print Job

Cancellng a Print Job

Print jobs can be cancelled either from your computer or on the control panel.

Cancellng a Print Job being Processed on a Computer

1. Double-click the printer icon  on the task bar at the lower right corner of your monitor.
2. On the displayed window, click the name of the document you want to cancel and press the <Delete> key. If you cannot find the document in the window, cancel the document on the control panel.




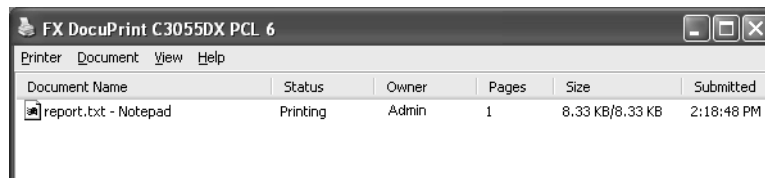
Cancellng a Print Job being Printed/Received on the Printer

Press the <Cancel Job> button on the control panel. This operation, however, does cancel the page that was being printed when you pressed the button.

Checking the Status of a Print Job

Checking the Job Status on Windows

1. Double-click the printer icon  on the task bar at the lower right corner of your monitor.
2. On the displayed window, check [Status].



Checking the Job Status on CentreWare Internet Services

You can check the status of print jobs also under the [Jobs] tab on CentreWare Internet Services.

Refer to

- CentreWare Internet Services online help

2.6 Importing Printer Information to a Print Driver

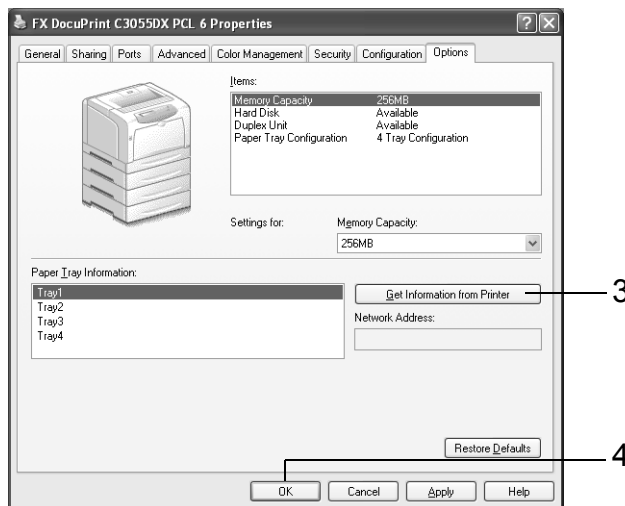
If your printer is networked, you can import printer information (such as accessory configuration, sizes and types of paper in the paper trays) into your print driver using SNMP protocol. This can be done on the [Options] tab on your print driver.

The following procedure is described based on Windows XP using the PCL print driver.

Note

- This feature is not available when your printer is a local printer, and you must manually set the information on your print driver. Also, the sizes and types of paper loaded in each tray will not be displayed on the print driver.
- To use this feature, enable the printer's SNMP port (default: [Enable]) on the control panel.
- On Windows NT 4.0, Windows 2000, or Windows XP, only users with administrator level access can change the settings. Users without administrator level access can only view the settings.

1. From the Windows [Start] menu, select [Printers and Faxes].
Select to highlight the printer, and then select [Properties] from the [File] menu.
2. Click the [Options] tab in the Properties dialog box.
3. Click [Get Information from Printer].



The printer information is imported to the print driver.

4. Click [OK] to update the [Options] tab.

Note

- The paper sizes and orientations displayed in [Paper Tray Information] are those automatically detected by the printer.
- The paper types displayed in [Paper Tray Information] are those you configured on the control panel.

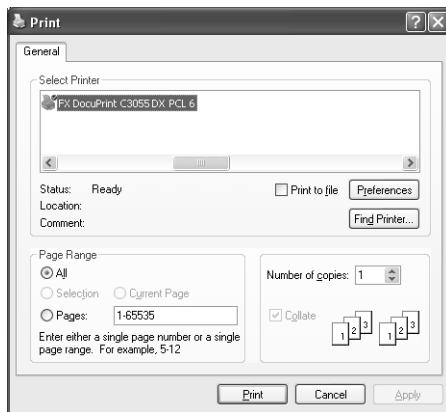
3 Print

This chapter describes various printing methods using a PCL print driver.

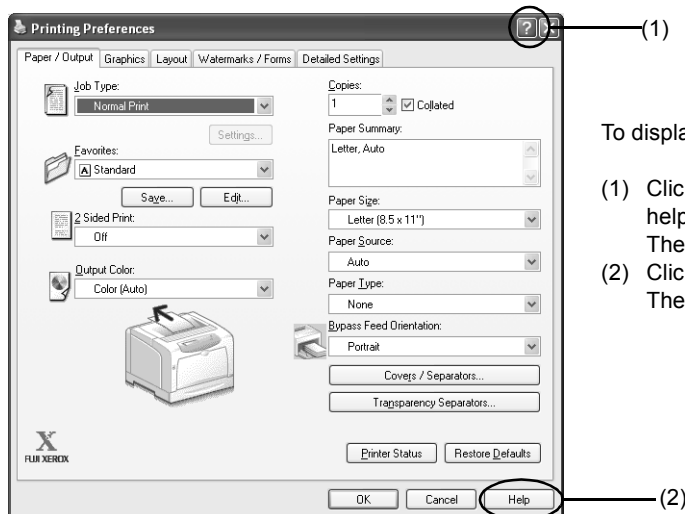
3.1 Printing from a Computer

This section outlines the basic procedure for sending print jobs from Windows applications. The following procedure uses Windows XP WordPad as an example. (The procedure may vary depending on the application being used.)

1. On the [File] menu of your application, click [Print].
2. Select the printer from the [Select Printer] list box, and then display the Properties dialog box.
On Windows XP WordPad, clicking [Preferences] displays the dialog box.



3. Click the desired tab and set the print features as necessary. When you are finished with the settings, click [OK] to close the dialog box. For details on the print features, refer to the online help for the print driver.



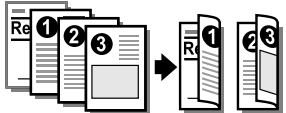

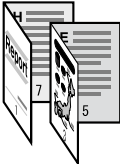
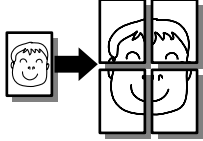
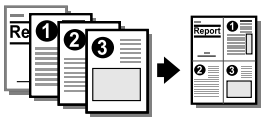
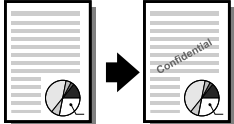
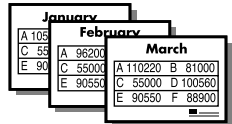
To display the online help:

- (1) Click [?] and then an item you need help with. The help for the item pops up.
- (2) Click [Help]. The [Help] window appears.

4. Click [Print] in the [Print] dialog box to start printing.

Print Features in the Properties Dialog Box

The following introduces some of the print features available on each tab of the print driver. For details on each feature, refer to the online help provided for the print driver.

Tab	Feature		
Paper/Output	<ul style="list-style-type: none"> • 2 Sided Print Prints documents on both sides of paper. 	<ul style="list-style-type: none"> • Secure Print Allows you to store a document temporarily in the printer and manually print it from the control panel. 	<ul style="list-style-type: none"> • Sample Print Allows you to print a proof copy of a document and print the entire copies after verifying the print result.
	<ul style="list-style-type: none"> • Transparency Separators Automatically places separators between documents when printing on transparencies. 		<ul style="list-style-type: none"> • Favorites Allows you to program frequently-used print settings.
Graphics	<ul style="list-style-type: none"> • Image Types Allows you to define the type of the original and print it in the optimal print quality. 		
Layout	<ul style="list-style-type: none"> • Booklet Creation Creates a booklet from a set of 2 sided documents. It correctly positions each page to produce output, that when folded, will be ordered to read like a booklet. 		<ul style="list-style-type: none"> • Poster Allows you to divide and enlarge an original document to copy the image onto multiple sheets of paper. You can then paste them together to make one large poster. 
	<ul style="list-style-type: none"> • Multiple-Up Prints multiple pages onto one sheet of paper. 		
Watermarks/Forms	<ul style="list-style-type: none"> • Watermarks Adds a watermark such as "Confidential" underneath an original image. 	<ul style="list-style-type: none"> • Forms Stores frequently-used forms in the printer. This saves you the time of sending them to the printer each time you need to use them. 	

Note

- The Properties dialog box can be displayed also by clicking the printer icon in the [Printers and Faxes] window (or the [Printers] window depending on the OS you are using). The settings configured here will be the defaults of the features when the dialog box is accessed from your application.

3.2 Printing on Envelopes

This section describes how to print on envelopes.

Loading Envelopes

Envelopes can be printed only from the bypass tray.

The printer can print on envelopes only on the address side, and not on the reverse side.

The following types of envelopes can be loaded into the bypass tray.

- Youkei 2 (162 x 114 mm)
- Youkei 3 (148 x 98 mm)
- Youkei 4 (235 x 105 mm)
- Youchoukei 3 (235 x 120 mm)
- Choukei 3 (120 x 235 mm)
- COM-10 (241.3 x 104.8 mm)
- Monarch (190.5 x 98.4 mm)
- DL (220 x 110 mm)
- C5 (162 x 229 mm)

Important

- For best print quality, do not use envelopes that:
 - are curled or twisted.
 - are stuck together or damaged.
 - have windows, holes, perforations, cutouts, or embossments.
 - use tie strings, metal claps, or metal folding bars.
 - have postage stamps attached.
 - have any exposed adhesive when the flaps are in the sealed position.
 - have deckle edges or creased corners.
 - have rough, cockled, or laid finishes.

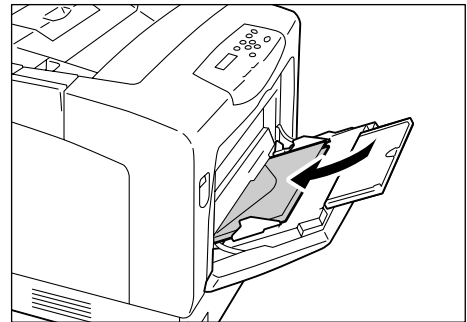
The method of loading envelopes in the bypass tray varies depending on whether envelopes have adhesive or non-adhesive flaps.

Note

- For more information on how to load paper in the bypass tray, refer to "Loading Paper in the Bypass Tray" (P. 81).

■ Envelopes with Adhesive Flaps

1. Load the envelopes with the address side facing down with the flaps against the printer.
2. Adjust the paper guides to the size of the envelopes.

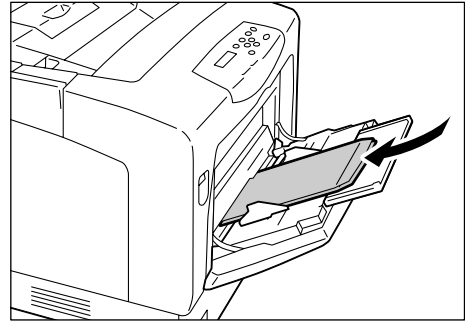


■ Envelopes with Non-adhesive Flaps

1. Load the envelope with the address side facing down and the edge with the flaps against you. Make sure that the flaps are open.
2. Adjust the paper guides to the size of the envelopes.

Note

- When loading the envelopes in the tray, make sure that the flaps are completely open.



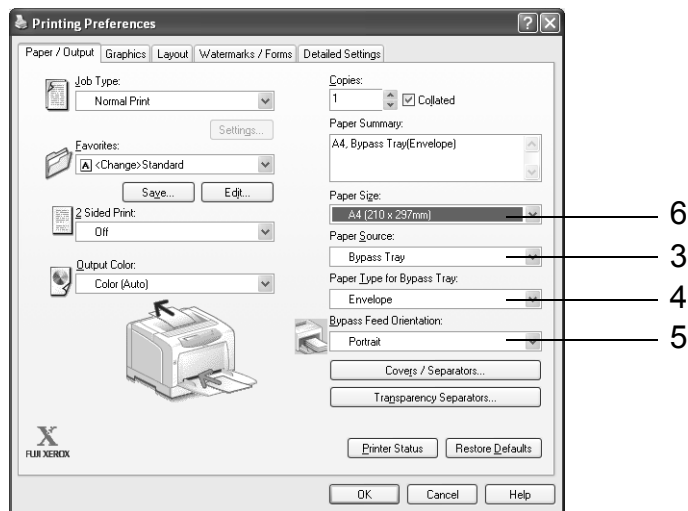
Printing on Envelopes

The following procedure uses Windows XP WordPad as an example.

Note

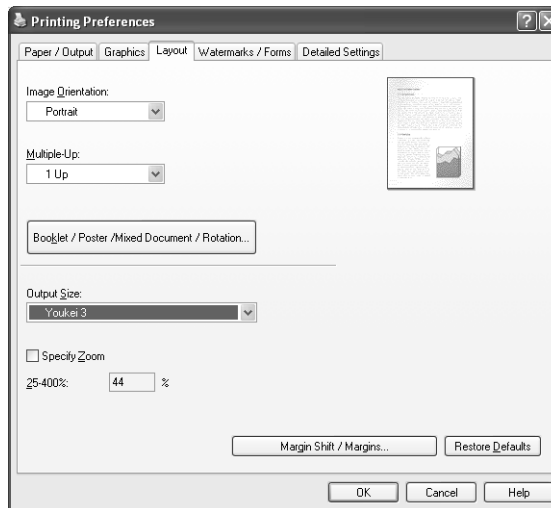
- The method of displaying the Properties dialog box varies depending on the application being used. Consult the documentation for your application.

1. On the [File] menu, click [Print].
2. Select the printer from the [Select Printer] list box, and click [Preferences].
3. The [Paper/Output] tab appears.
From [Paper Source], select [Bypass Tray].

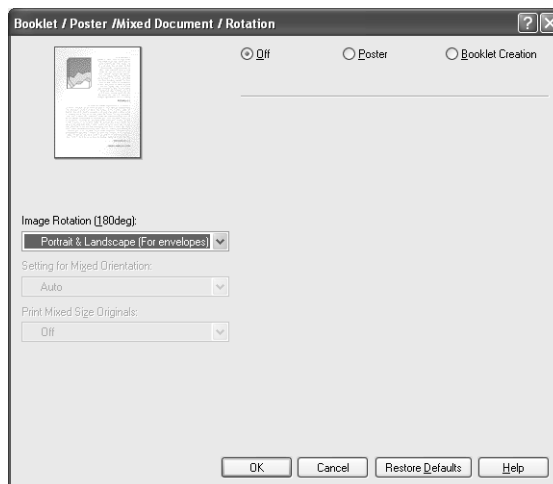


4. From [Paper Type for Bypass Tray], select [Envelope].
5. From [Bypass Feed Orientation], select the orientation of the envelopes.
6. From [Paper Size], select the size of the document to be printed.

7. Click the [Layout] tab, and then select the output paper size from [Output Size].



8. As necessary, click [Booklet/Poster/Mixed Document/Rotation], and in the displayed dialog box, set [Image Rotation (180deg)].



9. Click [OK] to close the dialog box.
10. Click [OK] to close the [Printing Preferences] dialog box.
11. Click [Print] in the [Print] dialog box to start printing.

3.3 Printing on Transparencies

This section describes how to print on transparencies.

Loading Transparencies

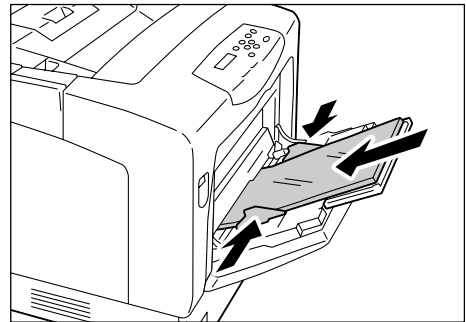
Transparencies can be loaded in all paper trays.

■ To Load Transparencies in the Bypass Tray

Important

- Transparencies with white borders or those for full-color printing cannot be used.

1. Fan the transparencies, and load them in the bypass tray with the print side facing down. Load only a few sheets at a time.
2. Adjust the paper guides to the size of the transparencies.

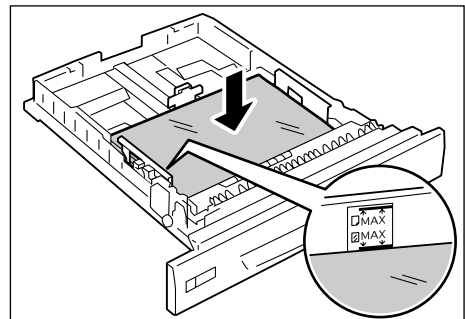


■ To Load Transparencies in the Trays 1 - 4

Note

- For information on how to load paper in the paper trays, refer to "4.2 Loading Paper" (P. 81).

1. Remove the paper tray out of the printer, and adjust the paper guides to the size of the transparencies.
2. Load the transparencies in the tray with the print side facing up. Make sure that the transparencies do not exceed the maximum fill-line for transparencies.
3. Slide the tray back into the printer.



Important

- When inserting the tray, be careful not to get your fingers caught between the tray and the printer or another tray (if the optional sheet feeders are installed).

4. On the control panel, change the paper type setting of the paper tray to [Transparency].

Note

- For information on how to change the paper type setting on the control panel, refer to "Changing the Paper Types of the Trays 1 - 4" (P. 86).
- You can also change the paper type setting on your print driver when requesting a print job. For more information, refer to "3.5 Printing by Changing the Paper Types of the Trays 1 - 4" (P. 55).

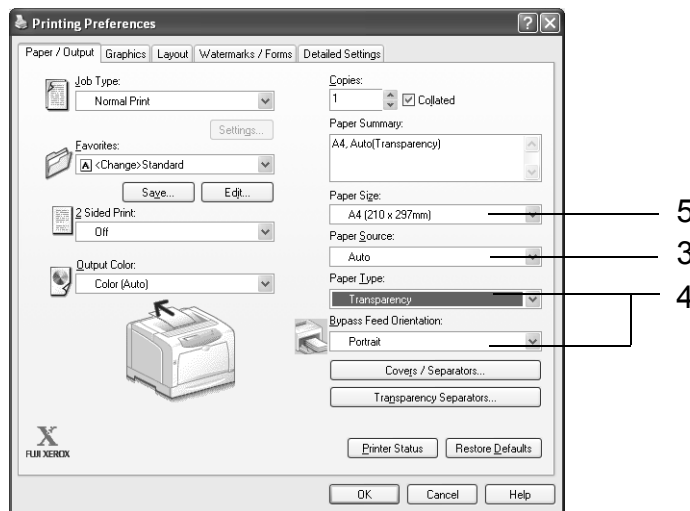
Printing on Transparencies

The following procedure uses Windows XP WordPad as an example.

Note

- The method of displaying the Properties dialog box varies depending on the application being used. Consult the documentation for your application.
- Leaving printed transparencies in the output tray can cause them to stick together. Remove them from the tray every 20 prints or so and fan them to cool them off.

1. On the [File] menu, click [Print].
2. Select the printer from the [Select Printer] list box, and then click [Preferences].
3. The [Paper/Output] tab appears.
From [Paper Source], select the tray where you loaded the transparencies.

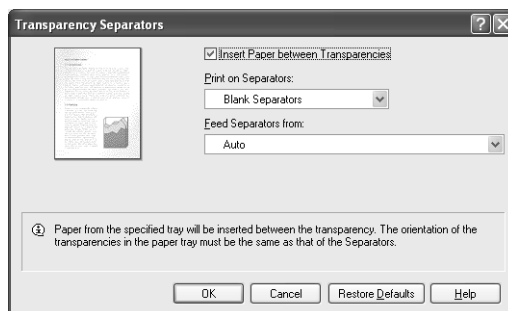


4. When [Auto] is selected, select [Transparency] from [Paper Type].
When [Bypass Tray] is selected, select [Transparency] from [Paper Type for Bypass Tray] and the orientation on the transparencies from [Bypass Feed Orientation].

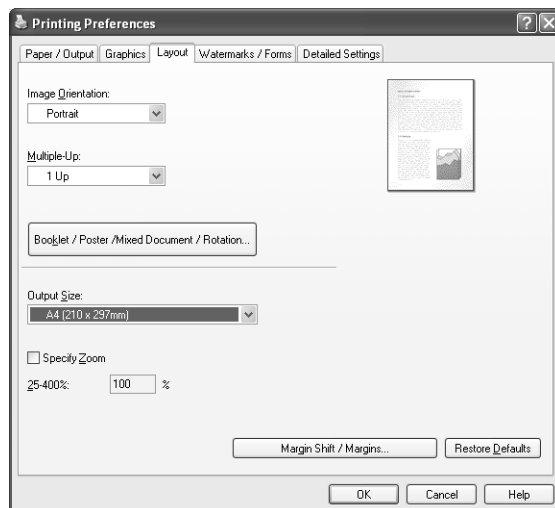
Note

- When [Paper Source] is set to [Bypass Tray], [Paper Type for Bypass Tray] appears instead of [Paper Type].

5. From [Paper Size], select the size of the document to be printed.
6. If you want to use the Transparency Separators feature, click [Transp. Separators...].
In the displayed dialog box, select [Insert Paper between Transparencies] and set the rest of the items as necessary. Click [OK] to close the dialog box.



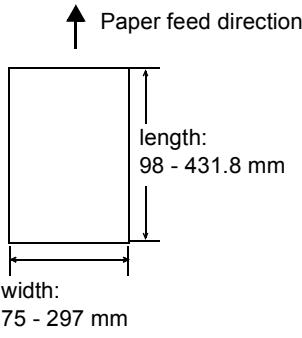
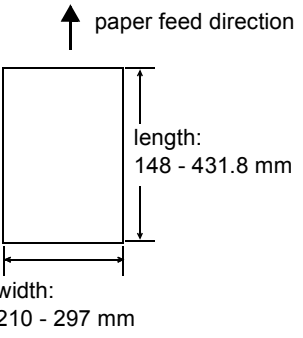
7. On the [Layout] tab, select the output paper size from [Output Size].



8. Click [OK] to close the [Printing Preferences] dialog box.
9. Click [Print] in the [Print] dialog box to start printing.

3.4 Printing on Non-standard Size Paper

This section describes how to load non-standard size paper in the paper trays. The paper trays can accommodate paper of the following sizes:

■ Bypass Tray	■ Trays 1 - 4
 <p>↑ Paper feed direction</p> <p>length: 98 - 431.8 mm</p> <p>width: 75 - 297 mm</p>	 <p>↑ paper feed direction</p> <p>length: 148 - 431.8 mm</p> <p>width: 210 - 297 mm</p>

Loading Non-standard Size Paper

The procedure for loading non-standard size paper is the same as for standard-size paper. Refer to "4.2 Loading Paper" (P. 81).

Registering Non-standard Size Paper

Before using non-standard size paper, set its paper size on your print driver.

The following procedure uses Windows XP as an example.

When loading non-standard-size paper in the tray 1, 2, 3, or 4, set its paper size also on the control panel. For information on how to set a paper size on the control panel, refer to "Setting the Paper Sizes of the Trays 1 - 4" (P. 87).

Important

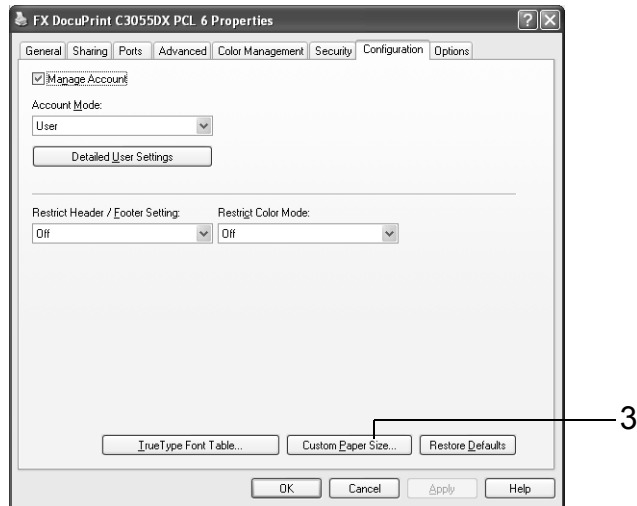
- Make sure to set the paper size correctly on the print driver or on the control panel. Setting the wrong paper size can cause printer failure.

Note

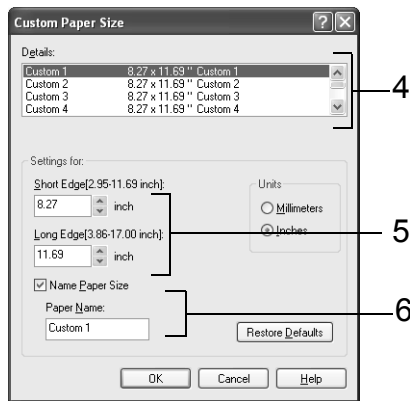
- On Windows 2000, Windows XP, or Windows Server 2003, only users with administrator level access can change the settings. Users without administrator level access can only view the settings.
- Changing the settings in the [Custom Paper Size] dialog box on Windows 2000, Windows XP, or Windows Server 2003 when the printer is a local printer can affect the settings for other printers on your computer. Whereas, changing those settings when the printer is a network printer can affect other network-shared printers on other computers over the network. This is because the printer uses its own form database when it is local, and uses the form database of a server that has a print queue when it is networked.

1. On the Windows [Start] menu, click [Printers and Faxes].
Select to highlight the printer, and select [Properties] from the [File] menu.
2. The Properties dialog box appears. In the dialog box, click the [Configuration] tab.

3. Click [Custom Paper Size...].



4. Select an item from the [Details] list box.



5. Under [Settings For:], specify the lengths for [Short Edge] and [Long Edge] by using the [▲] and [▼] keys or by directly entering the values. Note that the long edge cannot be shorter than the short edge.
6. If giving a name to the paper size, select [Name Paper Size] and enter the name in [Paper Name] within 14 bytes.
7. As necessary, repeat Steps 4 to 6 to define other custom paper sizes.
8. Click [OK] to close the [Custom Paper Size] dialog box.
9. Click [OK] to close the Properties dialog box.

Printing on Non-standard Size Paper

The following procedure uses Windows XP WordPad as an example.

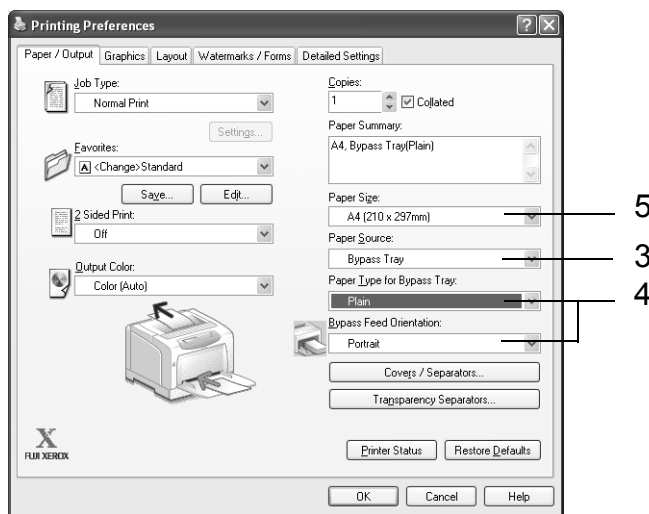
Important

- Make sure to set paper sizes correctly. Setting wrong paper sizes can cause printer failure.

Note

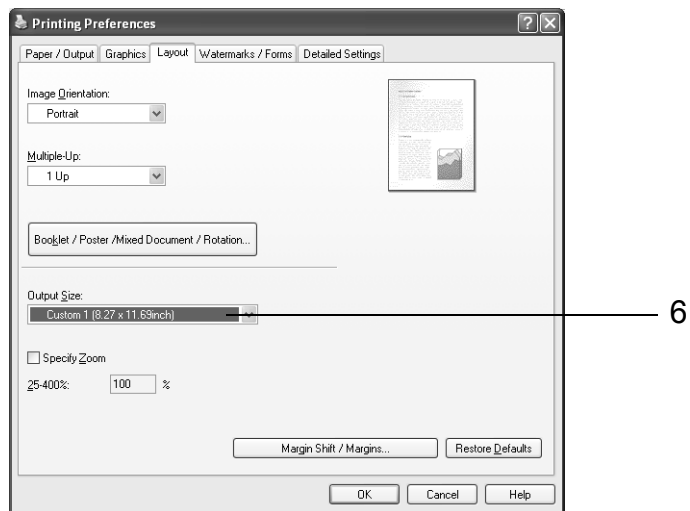
- The method of displaying the Properties dialog box varies depending on the application being used. Consult the documentation for your application.

1. On the [File] menu, click [Print].
2. Select the printer from the [Select Printer] list box, and click [Preferences].
3. The [Paper/Output] tab appears.
From [Paper Source], select the tray where you loaded the non-standard size paper.



4. When [Bypass Tray] is selected, select the paper type and orientation of the non-standard size paper from [Paper Type for Bypass Tray] and [Bypass Feed Orientation], respectively.
5. From [Paper Size], select the size of the document to be printed.

6. Click the [Layout] tab, and from [Output Size], select the custom output size you registered.



7. Click [OK] to close the [Printing Preferences] dialog box.
8. Click [Print] in the [Print] dialog box to start printing.

3.5 Printing by Changing the Paper Types of the Trays 1 - 4

The trays 1 - 4 accept plain paper and special media such as heavyweight paper, labels, and transparencies.

This section describes how to print by changing the paper type setting of the tray 1, 2, 3, or 4.

The following procedures use Windows XP WordPad as an example.

Note

- The method of displaying the Properties dialog box varies depending on the application being used. Consult the documentation for your application.

Printing by Changing the Paper Type Setting

There are two methods of printing by changing the paper type setting of the tray 1, 2, 3, or 4.

- Printing by setting the paper type on the control panel
- Printing by setting the paper type on the print driver

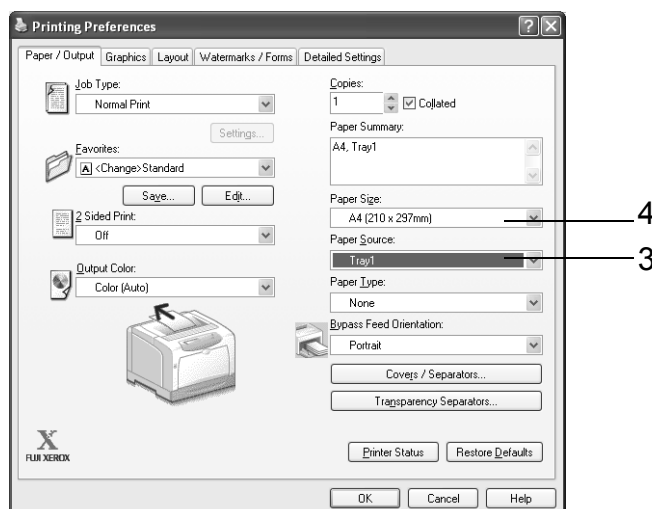
■ Printing by Setting the Paper Type on the Control Panel

The following example shows how to print using the A4 size bond paper loaded in the tray 1. Before requesting a job from your print driver, set the paper type of the tray on the control panel.

Refer to

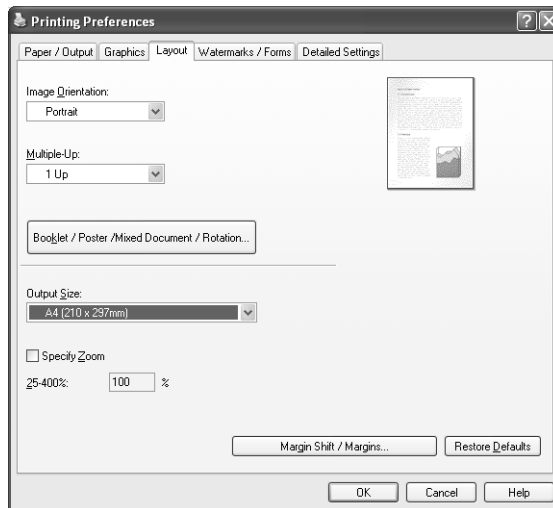
- For information on how to set the paper type setting on the control panel, refer to " Paper Sizes/ Paper Types of the Trays 1 - 4" (P. 85).

1. On the [File] menu, click [Print].
2. Select the printer from the [Select Printer] list, and click [Preferences].
3. The [Paper/Output] tab appears. From [Paper Source], select [Tray1].



4. From [Paper Size], select the size of the document to be printed.

- Click the [Layout] tab, and select the size of the output paper from [Output Size].



- Click [OK] to close the [Printing Preferences] dialog box.
- Click [Print] in the [Print] dialog box to start printing.

■ Printing by Setting the Paper Type on the Print Driver

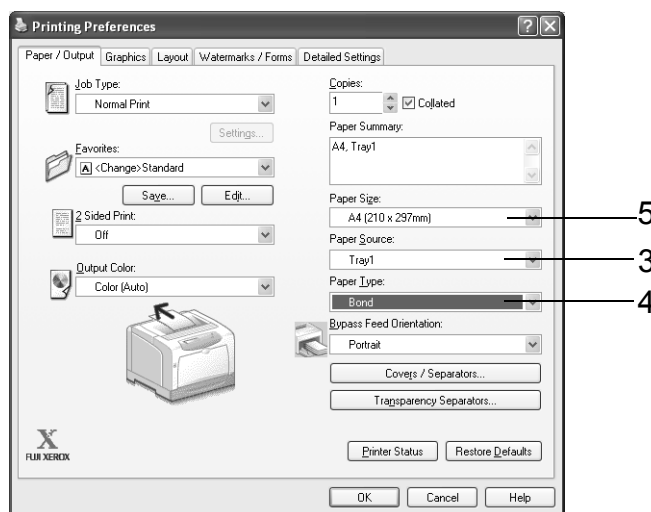
The following example shows how to print when the paper type of the tray 1 is set to “Plain Paper”, but the actual type of the paper loaded is “Bond Paper”.

This method allows you to print using the paper type specified on the print driver regardless of the paper type set on the printer.

Important

- When the paper type on the print driver does not match the actual type of the paper loaded in the paper tray, images will not be processed properly. The toner may not fuse properly onto the paper, resulting in smearing and other print quality problems.

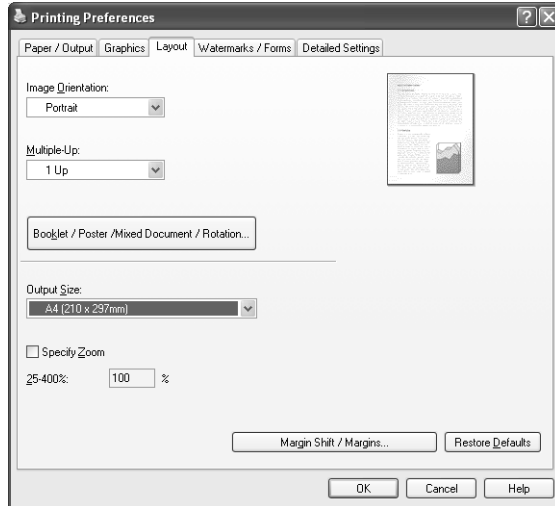
- On the [File] menu, click [Print].
- Select the printer from the [Select Printer] list and click [Preferences].
- Click the [Paper/Output] tab, and select [Tray 1] from [Paper Source].



- From [Paper Type], select [Bond].

Note

- The paper type selected here is only valid for this job. This setting does not change the paper type setting on the control panel.
5. From [Paper Size], select the size of the document to be printed.
 6. Click the [Layout] tab, and select the size of the output paper from [Output Size].



7. Click [OK] to close the [Printing Preferences] dialog box.
8. Click [Print] in the [Print] dialog box to start printing.

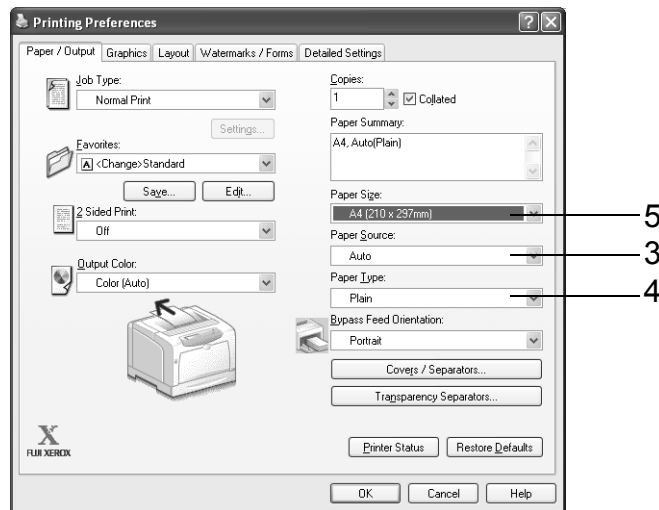
Automatically Printing by Changing the Paper Type Setting

When the paper types of the trays 1 - 4 are set correctly on the control panel, you can request a job without specifying a paper tray on the print driver. The printer can automatically select a paper tray based on the paper type you selected on the print driver. This method allows you to request a print job without being conscious about the type of paper loaded in each paper tray.

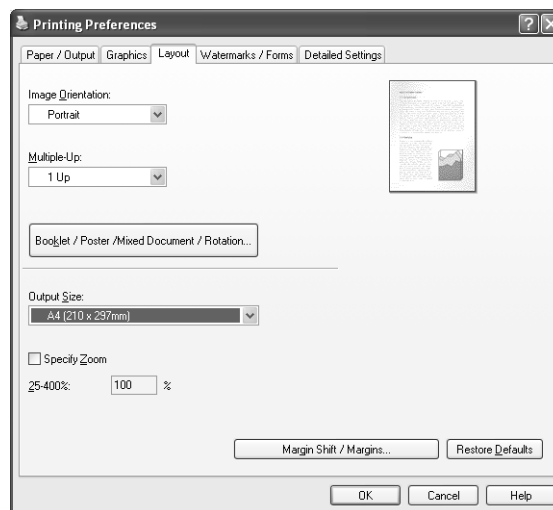
Refer to

- For information on how to set the paper type setting on the control panel, refer to " Paper Sizes/ Paper Types of the Trays 1 - 4" (P. 85).
1. On the [File] menu, click [Print].
 2. Select the printer from the [Select Printer] list, and click [Preferences].

3. The [Paper/Output] tab appears. From [Paper Source], select [Auto].



4. From [Paper Type], select the desired paper type to be used.
5. From [Paper Size], select the size of the document to be printed.
6. Click the [Layout] tab, and select the size of the output paper from [Output Size].



7. Click [OK] to close the [Printing Preferences] dialog box.
8. Click [Print] in the [Print] dialog box to start printing.

3.6 Printing Confidential Documents - Secure Print -

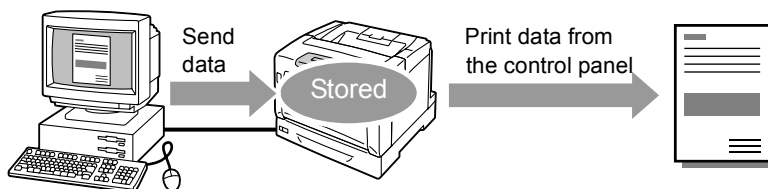
If your printer has the optional hard disk installed, you can use the Secure Print feature.

Important

- In case the hard disk fails, we recommend you to back up the hard disk data on your computer.

Secure Print Feature

Secure Print is a feature that allows you to send a password-protected document to the printer. The printer then stores the document temporarily, rather than printing it immediately, until you manually start the printing from the control panel. The feature can also store documents that are not password protected. By storing frequently-used documents in the printer, you can print them whenever you want, without having to send them each time from your computer.



Note

- Whether or not to delete a Secure Print job after printing it can be specified when you print it from the control panel. For more information, refer to "Operations on the Control Panel" (P. 61).
- Secure Print jobs cannot be printed when [Secure Print] > [Activate Feature] is set to [Disable] on the control panel.

Printing Using the Secure Print Feature

The following explains how to secure print a job.

To secure print a job, configure the following settings on your computer and send the job to the printer. Then, operate the control panel to manually start printing.

Operations on Your Computer

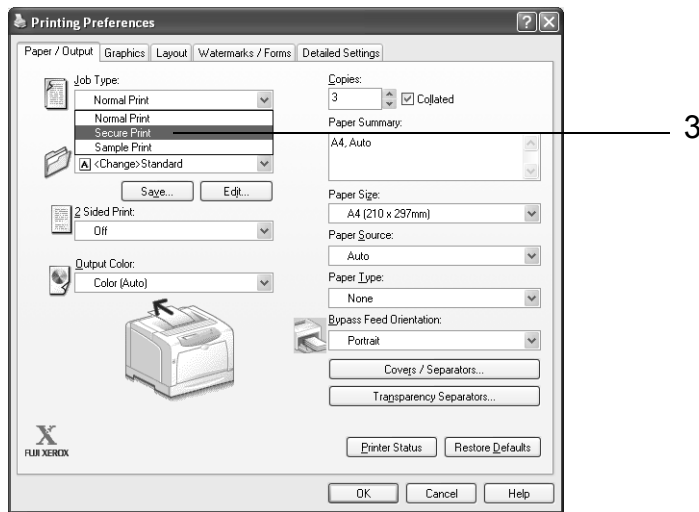
The following procedure uses Windows XP WordPad as an example.

Note

- The method of displaying the Properties dialog box varies depending on the application being used. Consult the documentation for your application.

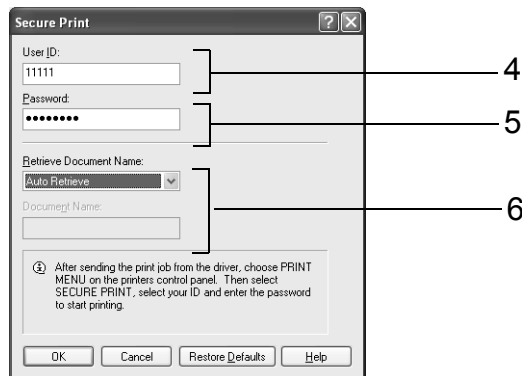
1. From the [File] menu, select [Print].
2. Select the printer from the [Select Printer] list box, and then click [Preferences].

- The [Paper/Output] tab appears.
From [Job Type], select [Secure Print].



The [Secure Print] dialog box appears.

- Enter your user ID into [User ID].
The user ID can be up to 8 bytes of alphanumeric characters.



- As necessary, enter a password into [Password].
The password can be up to 12 bytes of numeric characters.
- From [Retrieve Document Name], select [Enter Document Name] or [Auto Retrieve].
When [Enter Document Name] is selected, enter the desired document name in [Document Name] within 12 bytes.
When [Auto Retrieve] is selected, the document name will be the name of the document to be printed. If the printer cannot identify the name of the document, the date and time that the document will be printed will be its name.
- Click [OK] to close the [Secure Print] dialog box.
- Click [OK] to close the [Printing Preferences] dialog box.
- Click [Print] in the [Print] dialog box to start printing.

Operations on the Control Panel


The following explains how to print a Secure Print job stored in the printer.

Note

- When deleting a Secure Print job without printing, select [Delete] after Step 8 in the following procedure.
- If the menu screen is left idle for 3 minutes, the display returns to the print screen. Any incomplete setting on the menu screen made 3 minutes before becomes invalid.


1. Press the <◀> button on the control panel.

Print Menu
Secure Print



2. Press the <▶> button to accept the selection.
A user ID is displayed.

Select User ID
User1




3. Press the <▼> button until the desired user ID is displayed.

Note

- The user ID is the ID set under [User ID] in the [Secure Print] dialog box on your print driver.


4. Press the <▶> button to accept the selection.
A screen that allows you to enter a password is displayed.

Password+SET key
[_]



5. Enter your password using the <▲> and <▼> buttons. Use the <▶> button to move the cursor.

Password+SET key
[****]




Note

- Enter the password set under [Password] in the [Secure Print] dialog box on your print driver. When a password is not set, you will not be asked to enter it on the control panel.

6. Press the <Eject/Set> button to confirm your setting.
The name of a document stored in the printer is displayed.

Select Document
Report

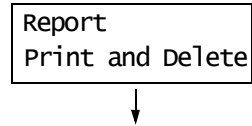


7. Press the <▼> button until the desired document name is displayed.

Note

- The document name is the name (of up to 12 bytes) set under [Document Name] in the [Secure Print] dialog box on your print driver.
- When more than one document is stored in the printer, you can also select [All documents].

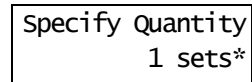
8. Press the <▶> button to accept the selection.
A screen that allows you to set whether to delete or save the document after printing it is displayed.



Note

- If you want to delete the document without printing, press the <▼> button, display [Delete], press the <▶> button, and then press the <Eject/Set> button.
- If you want to save the document in the hard disk after printing, press the <▼> button, display [Print and Save], and proceed to Step 9.

9. Press the <▶> button to accept the selection.
A screen that allows you to enter the print quantity is displayed.
10. Enter the quantity using the <▼> button, and press the <Eject/Set> button to print the document.
The printing starts.



3.7 Printing After Checking the Print Result - Sample Print -

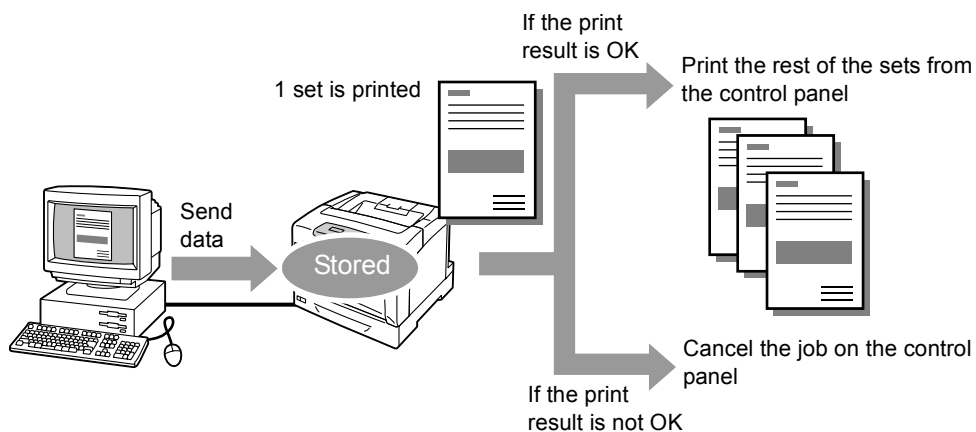
If your printer has the optional hard disk installed, you can use the Sample Print feature.

Important

- In case the hard disk fails, we recommend you to back up the hard disk data on your computer.

Sample Print Feature

Sample Print is a feature that allows you to print a proof copy of a multi-set job and print the entire sets once the print result has been verified. The job is stored on the printer's hard disk until the whole sets are printed from the control panel.



Note

- To delete a Sample Print job without printing, refer to "Operations on the Control Panel" (P. 61).
- Sample print jobs cannot be printed when [Secure Print] > [Activate Feature] is set to [Disable] on the control panel.

Printing Using the Sample Print Feature

The following explains how to sample print a job.

To sample print a job, configure the following settings on your computer and send the job to the printer. Then, operate the control panel to manually start printing.

Operations on Your Computer

The following procedure uses Windows XP WordPad as an example.

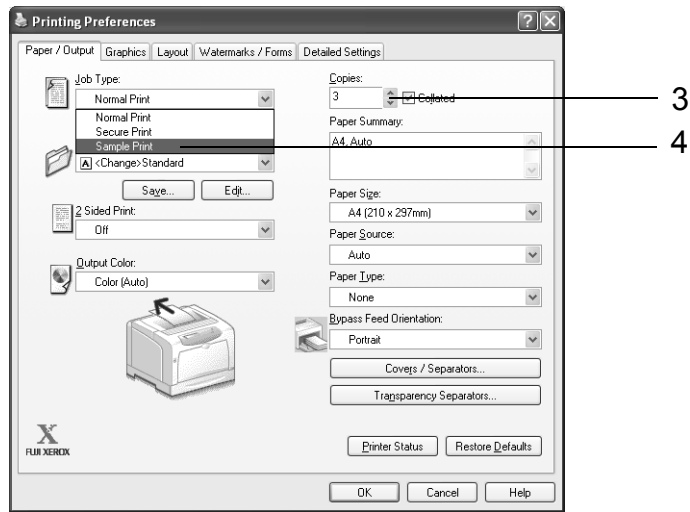
Note

- The method of displaying the Properties dialog box varies depending on the application being used. Consult the documentation for your application.

1. On the [File] menu, click [Print].
2. Select the printer from the [Select Printer] list box, and then click [Preferences].
3. The [Paper/Output] tab appears. Under [Copies], set the print quantity to "2" or more.
4. From [Job Type], select [Sample Print].

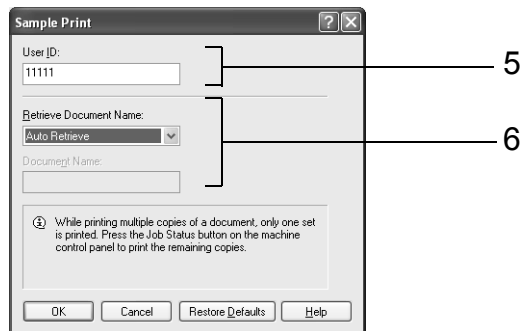
Note

- [Sample Print] becomes active if you specify "2" or a larger quantity for [Copies].



The [Sample Print] dialog box appears.

5. Enter your user ID into [User ID].
The user ID can be up to 8 bytes of alphanumeric characters.



6. From [Retrieve Document Name], select [Enter Document Name] or [Auto Retrieve].
When [Enter Document Name] is selected, enter the desired document name in [Document Name] within 12 bytes.
When [Auto Retrieve] is selected, the document name will be the name of the document to be printed. If the printer cannot identify the name of the document, the date and time that the document will be printed will be its name.
7. Click [OK] to close the [Sample Print] dialog box.
8. Click [OK] to close the [Printing Preferences] dialog box.
9. Click [Print] in the [Print] dialog box to start printing.

Operations on the Control Panel


The following explains how to print or delete a Sample Print job depending on its print result.

Note

- If the menu screen is left idle for 3 minutes, the display returns to the print screen. Any incomplete setting on the menu screen made 3 minutes before becomes invalid.


1. Press the <◀> button on the control panel.

Print Menu
Secure Print




2. Press the <▼> button until [Sample Print] is displayed.

Print Menu
Sample Print



3. Press the <▶> button to accept the selection.
A user ID is displayed.

Select User ID
User1



4. Press the <▼> button until the desired user ID is displayed.

Note

- The user ID is the ID set under [User ID] in the [Sample Print] dialog box on your print driver.

5. Press the <▶> button to accept the selection.
A document stored in the printer is displayed.

Select Document
Report




6. Press the <▼> button until the desired document name is displayed.

Note

- The document name is the name (of up to 12 bytes) set under [Document Name] in the [Sample Print] dialog box on your print driver.
- When more than one document is stored in the printer, you can also select [All documents].

7. Press the <▶> button to accept the selection.
A screen that allows you to set whether to delete or save the document after printing it is displayed.

1. Report
Print and Delete



Note

- If you want to delete the document without printing, press the <▼> button, display [Delete], press the <▶>, and then press the <Eject/Set> button.
- If you want to save the document in the hard disk after printing, press the <▼> button, display [Print and Save], and proceed to Step 8.

8. If printing the document, select the desired option by pressing the <▶> button.
9. Enter the print quantity using the <▼> button, and press the <Eject/Set> button to print the document.
The printing starts.

Specify Quantity 1 sets*

3.8 Printing PDF Files Directly

Some PDF files can be sent directly to the printer without using a print driver. Printing PDF files directly is much easier and faster when compared to printing them using a print driver.

Important

- If you print a PDF file directly without using a print driver, the date/time, host/user name, document name on the [Job History Report] will be blank. If you print the file with a banner sheet, the date/time, user name and document name will not be printed on the banner sheet.

■ PDF Bridge Feature

PDF Bridge is a feature that comes standard with the printer. There are two methods of printing PDF files using the PDF Bridge feature:

- Using ContentsBridge Utility (software by Fuji Xerox Co., Ltd.)
- Using commands such as lpr and ftp

Note

- When using ContentsBridge Utility, refer to the manual included on the CD-ROM of the Driver CD Kit. When using commands such as lpr and ftp, refer to "Printing PDF Files without Using ContentsBridge Utility" (P. 68).
- To print using the PDF Bridge feature, additional memory (optional) may be required.

Supported PDF Files

PDF files created on Adobe Acrobat 4, Adobe Acrobat 5 (excluding some of the features added to PDF1.4), or Adobe Acrobat 6 (excluding some of the features added to PDF1.5) can be printed on the printer.

Note

- Some PDF files cannot be printed directly depending on how they are created. In such case, open the files and print them using a print driver.

Printing PDF Files without Using ContentsBridge Utility

PDF files can be sent directly to the printer using commands such as `lpr` and `ftp` instead of ContentsBridge Utility. When printing using commands, the following [PDF] settings on the control panel become effective.

- Quantity
- 2 Sided Print
- Print Mode
- Password
- Collated
- Output Size
- Layout
- Output Color

Refer to

- "[PDF]" (P. 95)

Note

- On the DocuPrint C3055, [2 Sided Print] appears only when the duplex unit (optional) is installed.
- When printing using `lpr` command, the print quantity must be set also using `lpr` command. In such case, the [Quantity] setting on the control panel becomes invalid. If you do not specify the quantity using `lpr` command, the printer recognizes the quantity as "1 set".

To print PDF files using `lpr` or `ftp` command, you must enable the printer's LPD or FTP port on the control panel or CentreWare Internet Services (default: [Enable]).

Refer to

- "[LPD]" (P. 101)
- "[FTP]" (P. 109)

Supported Operating Systems

Windows NT 4.0/Windows 2000/Windows XP/Windows Server 2003

To Print PDF Files

The following explains how to print PDF files using `lpr` and `ftp` commands.

Note

- In the following examples, the characters entered are indicated in bold typeface.
- Spaces are indicated with Δ .

■ Using `lpr` Command

Supported OS

Windows NT 4.0/Windows 2000/Windows XP/Windows Server 2003

Example

In a command prompt, enter a command as follows.

Example: A command for printing "event.pdf" when the printer's IP address is 192.168.1.100.

```
C:\>lpr $\Delta$ -S $\Delta$ 192.168.1.100 $\Delta$ -P $\Delta$ lp $\Delta$ event.pdf <Enter> key
```

■ Using ftp Command

Supported Operating Systems

Windows 95/Windows 98/Windows Me/Windows NT 4.0/Windows 2000/
Windows XP/Windows Server 2003

Example

In a command prompt, enter a command as follows.

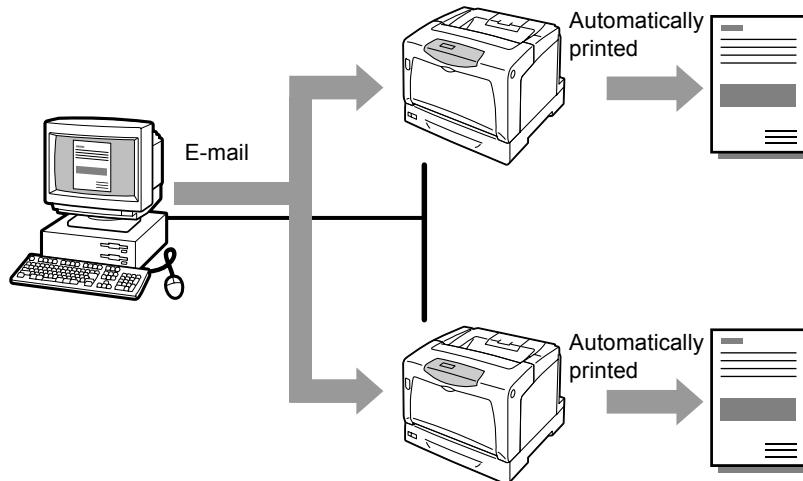
Example: A command for printing “event.pdf” when the printer’s IP address is 192.168.1.100.

```
C:\>ftp 192.168.1.100 <Enter> key
Connected to 192.168.1.100.
220 FUJI XEROX DocuPrint C3055
User (192.168.1.100:(none)): <Enter> key
331 Password required
Password: <Enter> key
230 Logged in
ftp>bin <Enter> key
200 Command successful
ftp>put event.pdf <Enter> key
200 Command successful
150 Opening data connection
226 Transfer complete
ftp: xxxxx bytes sent in xxxSeconds xxxxxkbytes/sec.
ftp>
```

3.9 Printing Using E-mail - E-mail Print -

If the printer is networked and set up for e-mail and TCP/IP communication, you can send e-mails to the printer.

The printer can automatically print e-mails and PDF files attached to e-mails. This feature is called "E-mail Print".



Setting the E-mail Print Feature

To use the E-mail Print feature, you must configure the servers on your network (such as SMTP and POP3 servers).

Note

- Please have your network administrator configure the e-mail settings. Defining wrong e-mail settings can cause problems in the network.

Network Environment

- Create an e-mail account.

E-mail Environment (Printer)

Set the following items under the [Properties] tab on CentreWare Internet Services.

Note

- After changing the settings on CentreWare Internet Services, make sure to click [Apply] and reboot the printer.
- For information about each item, refer to the online help for CentreWare Internet Services.

Item	Setting Item	Description
Port Status	E-mail Print	Select [Enabled].
Protocol Settings > E-mail	Machine's E-mail Address	Set the printer's e-mail address. This address will appear as "From:" on e-mails sent from the printer.
	SMTP Server Address	Set the IP address of the outgoing e-mail server to be connected via SMTP protocol or the FQDN (Fully Qualified Domain Name).
	SMTP Server Port Number	Set the port number used on the SMTP server.
	E-mail Send Authentication	Set the authentication method to be used on the SMTP server.
	Login Name	Set the login user name for the SMTP server.
	Password	Set the login password for the SMTP server.
	POP3 Server Address	Set the IP address of the incoming e-mail server to be connected via POP3 protocol or the FQDN (Fully Qualified Domain Name).
	POP3 Server Port Number	Set the port number used on the POP3 server.
	Login Name	Set the login user name for the POP3 server.
	Password	Set the login password for the POP3 server.
	POP3 Server Check Interval	Set the intervals to check for new e-mails on the POP3 server.
	APOP Settings	Select [Enabled] if the POP3 server supports APOP.
	Permitted E-mail Address	If controlling e-mail reception, set the e-mail addresses of users who are permitted to send e-mails to the printer. If you do not specify addresses, the printer will accept e-mails from all users.
	Password	When using a password to restrict printing of e-mails sent to the printer, select the [Use Password] check box for [Password for Print Job] and set the password.

Sending E-mails

Supported E-mail Attachments

Files of the following format can be attached to e-mails:

- PDF files

To Send E-mails

To perform E-mail Print, enter the printer's address in the "To:" field on your e-mail application.

Then, enter the following commands in the subject field or in the body message and write the text or attach the PDF file you want to print.

Note

- The method of sending e-mails varies depending on the application being used. Consult the documentation for your e-mail application.
- Set the e-mail format to "Text" instead of "HTML". This feature does not support "HTML" format.

■ To Specify Commands in the Body Message

The following commands can be specified in the body message.

The subject can be whatever you like.

Command	Parameter	Description
#Password	Password	When [Password for Print Job] is set, make sure to start your e-mail with this command. When the password is not set, you do not need to enter this command.
#Print	(None)	This command prints the text entered after the "#Print". When a PDF file is attached to your e-mail, this command also prints the PDF file.

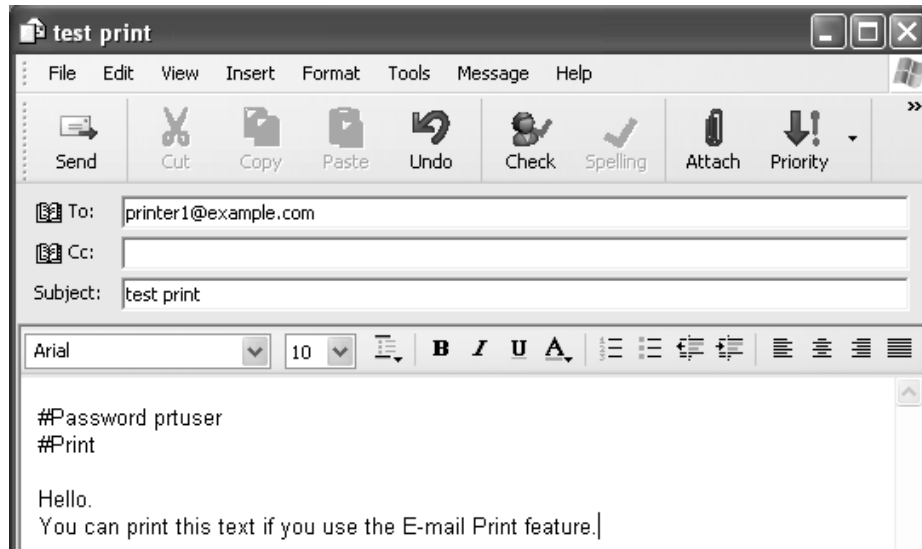
Example

Follow these guidelines when entering commands on e-mails.

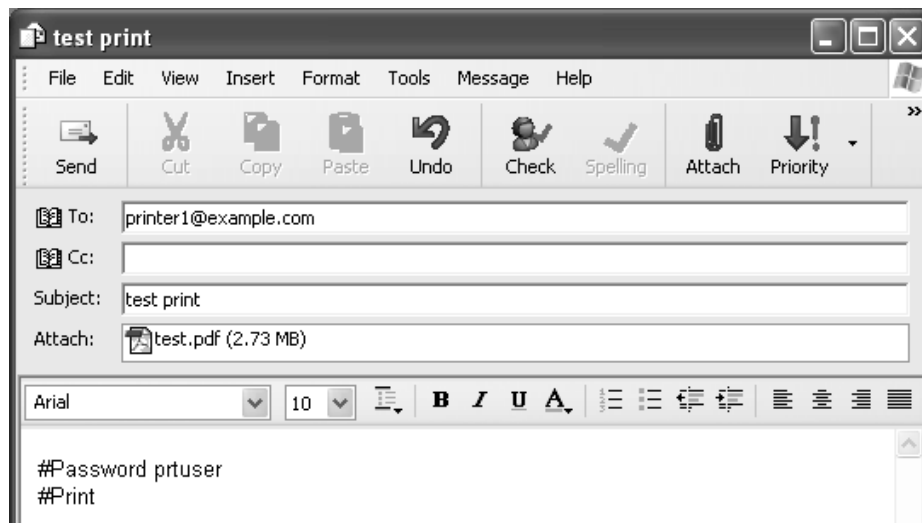
- Commands are not case sensitive.
- If [Password for Print Job] is set, start your e-mail with "#Password".
- Prefix each command with "#". Command that does not start with "#" will be ignored.
- Place only one command per line and separate each command or parameter with a space or a tab.
- When the same command is entered more than one time in one e-mail, only the first one will be valid and the rest will be ignored.

The following explains how to write commands in e-mails, using Outlook Express as an example. Here, we suppose that the printer's e-mail address is "printer1@example.com" and [Password for Print Job] is "prtuser".

1. To print the text in the body message:



2. To print the document attached to the e-mail:



Note

- When there is no text entered after the "#Print", the body message will not be printed.
- You can attach multiple documents (PDF files) to one e-mail.

■ To Specify Commands in the Subject Field

The following commands can be specified in the subject field.

Command	Description
#Print xxx (xxx: password)	When [Password for Print Job] is set, make sure to enter a space and then the password after the "#Print". When the password is not set, enter "#Print" only. Example) #Print #Print prtuser
#Print[xxx] (xxx: password)	When [Password for Print Job] is set, enter a space and then the password enclosed with brackets ([]) after the "#Print". Do not enter a space between the "#Print" and "[". Example) #Print[prtuser]

When the "#Print" command is specified in the subject field, both the body message and the attached PDF file will be printed.

However, when no text is entered in the first line of the body message (including a line that only contains a line-feed or a space), the message will not be printed.

■ Confirmation E-mail from the Printer

The printer returns the following e-mail when it receives an e-mail containing the "#Print" command. This e-mail informs the recipient whether his or her request has been accepted.

Important

- This feature becomes effective only when the [Properties] tab > [E-mail] > [E-mail Send Authentication] is set to [Invalid] (default) on CentreWare Internet Services. When [E-mail Send Authentication] is valid, the printer will not send confirmation e-mails. For information about [E-mail Send Authentication], refer to the online help for CentreWare Internet Services.

Note

- When the "#Print" command is specified in the subject field, the subject of the return e-mail will be "Re:#Print" and does not show the password specified after it.

Subject : Re: test print Date : Wed, 22 Feb 2006 16:11:39 +0900 (JST) From : printer1@example.com To : user1@example.com [E-Mail Printing] - Command received.

Precautions When Using the E-mail Print Feature

Security Precautions

E-mail uses the Internet, a network connecting computers around the world, as its transmission medium. So, exchanging e-mails involves security risks, such as information leakage and tampering.

When exchanging important or confidential information, we recommend you to use a method other than e-mail that guarantees security. And to prevent unwanted e-mails, we encourage you not to give out your e-mail address unless necessary.

Setting the Access-Permitted Domains

The printer can be programmed to receive e-mails only from particular domains. For more information, refer to the online help provided for CentreWare Internet Services.

Precautions When Connecting the Printer with an Internet Provider

- If your Internet provider does not bill you a flat rate, or if you do not have full-time access to the Internet, you will be charged every time the printer retrieves data from the e-mail server.
- Make sure to connect the printer in an IP masqueraded environment. This feature may not function properly when the printer is connected to the Internet with a global IP address assigned.
- When enabling POP access, make sure to create an e-mail account specific for the printer. Using a shared e-mail account can cause problems.
- When the circuit speed of the Internet is slow, it may take time to receive large data such as graphics.
- When connecting the printer to an Internet environment where MTA is running in a private segment, configure the settings according to your operating needs.

Job History for E-mail Print Jobs

- If you view the history of E-mail Print jobs on CentreWare Internet Services, [Job Name], [Owner], [Host Name], [Host I/F], and [Job Submission Time] will be blank. The above items will also be blank in the [Job History Report]. [Port] in the [Job History Report] will be printed as [POP3].

4 Paper

4.1 About Paper

Using paper that is not appropriate for the printer can cause paper jams, image quality problems, or printer failure. To use the printer at its best performance, we recommend you to use only the paper described in this section.

When using paper other than that recommended, contact our Customer Support Center or your dealers.

Supported Paper

Supported Paper Sizes and Types

The following table lists the supported paper sizes, paper types, and the capacity of each paper tray.

Note

- G.S.M (gram per square meter) refers to a weight in grams of one square meter of paper.







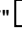
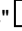

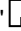
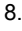

Paper Tray	Paper Size	Paper Type (G.S.M.)	Maximum Capacity
Bypass tray	A3, B4, A4, A4, B5, A5, 11 x 17", 8.5 x 14", 8.5 x 13", 8.5 x 11", 8.5 x 11", 7.25 x 10.5", Japanese Postcard (148 x 100 mm), Pre-paid Postcard (148 x 200 mm), envelope (Youkei 2, Youkei 3, Youkei 4, Youchoukei 3, Choukei 3, COM-10, Monarch, DL, C5), custom size paper (width: 75 - 297 mm; length: 98 - 431.8 mm)	Plain (60 - 80 g/m ²), Recycled (60 - 80 g/m ²), Bond (81 - 105 g/m ²), Heavyweight 1 (106 - 163 g/m ²), Heavyweight 2 (164 - 216 g/m ²), Label, Coated 1 (105 g/m ²), Coated 2 (106 - 163 g/m ²), Coated 3 (164 - 216 g/m ²), Transparency, Envelope, Postcard	155 sheets (Fuji Xerox paper) or up to 17.5 mm high Important • Load coated paper one sheet at a time. Loading multiple sheets together damps the paper, resulting in multi-feeds and printer failure.
Tray 1 (standard)	A3, B4, A4, A4, B5, A5, 11 x 17", 8.5 x 14", 8.5 x 11", 8.5 x 11", custom size paper (width: 210 - 297 mm; length: 148 - 431.8 mm)	Plain (60 - 80 g/m ²), Recycled (60 - 80 g/m ²), Bond (81 - 105 g/m ²), Heavyweight 1 (106 - 163 g/m ²), Heavyweight 2 (164 - 216 g/m ²), Label, Transparency	250 sheets (Fuji Xerox paper) or up to 27.6 mm high
Trays 2 - 4 (optional)	A3, B4, A4, A4, B5, A5, 11 x 17", 8.5 x 14", 8.5 x 11", 8.5 x 11", custom size paper (width: 210 - 297 mm; length: 148 - 431.8 mm)	Plain (60 - 80 g/m ²), Recycled (60 - 80 g/m ²), Bond (81 - 105 g/m ²), Heavyweight 1 (106 - 163 g/m ²), Label, Transparency	550 sheets (Fuji Xerox paper) or up to 59.4 mm high/tray

Important

- Be sure to load paper that meets the above requirements in each paper tray. Be sure also to set the correct paper sizes, paper types, and paper trays when sending print requests from your print driver. Loading paper that is not supported or defining wrong settings can cause paper jams.
- Moisture, such as water, rain, and humidity can cause print images to come off from paper. For more information, contact our Customer Support Center or your dealers.

■ Paper for 2-Sided Printing

The following sizes and types of paper can be used for 2-sided printing when using the duplex unit (optional for DocuPrint C3055).

Paper Size	Paper Type
A3  , B4  , A4  , A4  , B5  , A5  , 11 x 17"  , 8.5 x 14"  , 8.5 x 13"  *1, 8.5 x 11"  , 8.5 x 11"  , 7.25 x 10.5"  *1	Plain (60 - 80 g/m ²), Recycled (60 - 80 g/m ²), Bond (81 - 105 g/m ²), Coated 1 (105 g/m ²)*1

*1: Can be loaded only in the bypass tray.

Note

- When you want to print on both sides of paper that does not support 2-sided printing, print the reverse side of the paper by manually feeding it into the bypass tray. In this case, set [Paper Type] of your print driver to [xxx-Side 2].

Supported Paper Specifications

If using general paper (commercially available paper), make sure that it meets the following specifications. To achieve the best print quality, however, we recommend you to use the standard paper (introduced in the next page) instead.

Paper Tray	Specifications (G.S.M.)
Bypass tray	60 - 216 g/m ²
Tray1	60 - 216 g/m ²
Tray 2 - 4 (optional)	60 - 175 g/m ²

Recommended/Tested Paper

The following paper or media are recommended or have been tested with the printer.

For information about other paper or media, contact our Customer Support Center or your dealers.

Product Name	G.S.M.	Paper Type Menu Name	Description
Colortech+90	90 g/m ²	Bond	The standard paper for this printer, for both monochrome and color printing.
C2 paper	70 g/m ²	Plain	Paper for general business use, suitable for both monochrome and color printing with minimum see-through.
WR100 paper	67 g/m ²	Recycled	100% recycled pulp paper with the whiteness of bond paper.
Green 100 paper	67 g/m ²	Recycled	100% recycled pulp paper with minimum whiteness.
C2r paper	70 g/m ²	Recycled	70% recycled pulp paper suitable for both monochrome and color printing.
J paper	82 g/m ²	Bond	Bond paper suitable for a variety of use, including office documents and color samples.
JD paper	98 g/m ²	Bond	Double-sided paper suitable for a variety of use, including brochures and booklets.
JD Coated paper	105 g/m ²	Coated 1	Double-sided coated paper ideal for brochures and leaflets. This paper can be loaded in the bypass tray one sheet at a time.
OK Top Coated N	128 g/m ²	Coated 2	Can be loaded in the bypass tray one sheet at a time.
Mirror Coated Platinum	209 g/m ²	Coated 3	
OK Prince 157	157 g/m ²	Heavyweight 1	Bond paper with adequate whiteness and opacity. OK Prince 210 can be loaded only in the bypass tray and tray 1.
OK Prince 210	210 g/m ²	Heavyweight 2	
Transparency (Clear) Product code: GAAA5224	-	Transparency	Transparencies without frames. These can be loaded in the bypass tray. Leaving printed transparencies on the output tray can cause them to stick together. Remove them every 20 prints or so to fan them to cool them off.
Label (non-cut) Product code: V862	-	Label	Non-cut self-adhesive label sheets. These can be loaded in the bypass tray. These label sheets have tendency to curl due to the characteristic of the paper. When printing consecutively on multiple label sheets, remove them from the output tray as soon as they are delivered. Make sure to read and follow the documentation supplied with the label sheets upon use.
Postcard (100 x 148 mm)	190 g/m ²	Postcard	Can be loaded in the bypass tray.
Pre-paid postcard (200 x 148 mm)			
Envelope	-	Envelope	Commercially available envelopes. These can be loaded in the bypass tray. Refer to "Supported Paper Sizes and Types" (P. 76) for the supported envelope sizes.

Unsupported Paper

Do not use the following types of paper or media. They can cause paper jams or printer failure.

- Transparencies other than those recommended
- Ink jet paper, ink jet transparencies, or ink jet postcards
- Paper that is too heavyweight or too lightweight
- Paper pre-printed with other printer or copier
- Wrinkled, creased, or ripped paper
- Damp or wet paper
- Lumpy or curled paper
- Static-cling paper
- Pasted-up or glued paper
- Postcards with pre-printed pictures
- Specially coated paper
- Color paper with surface treatments
- Paper that uses ink that deteriorates with heat
- Photosensitive paper
- Carbon paper
- Paper with staples, clips, ribbons, or tape
- Paper with rough surface, such as pulp paper or fibrous paper
- Acid paper (Texts printed on acid paper may blur. In such case, use alkaline paper instead.)
- Envelopes that are not flat, or that have clasps
- Label paper with some labels already peeled off, or that are partially cut off
- Tack film
- Water transfer paper
- Textile transfer paper

Important

- If you load postcards with pre-printed pictures, the anti set-off powder sticks to the feed rolls, preventing the postcards from being fed properly.

Storing and Handling Paper

Paper stored in poor conditions can get deteriorated, resulting in paper jams, image quality problems, or printer failure. Use the following guidelines when storing paper.

Paper Storage Environment

- Temperature: 10 - 30°C
- Relative humidity: 30 - 65%

Paper Storage Guidelines

- Re-wrap partly used packages of paper, and store them away from humidity such as in a cabinet.
- Store paper flat. Do not store it upright.
- Avoid paper from getting wrinkled, curled, or creased.
- Do not expose paper in direct sunlight.

4.2 Loading Paper

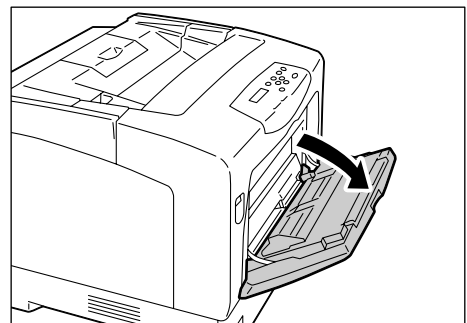
This section explains how to load paper in the bypass tray or trays 1 - 4.

Loading Paper in the Bypass Tray

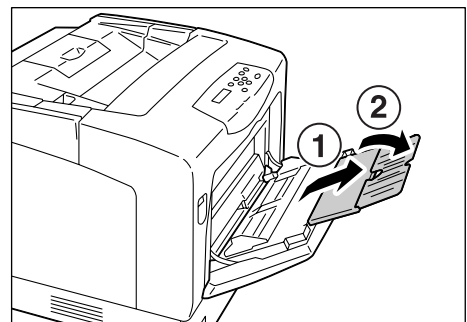
Important

- Make sure to load paper when the power is on.
- Do not load paper of different types simultaneously.
- Do not remove or add paper to the bypass tray while printing from the bypass tray. Doing so can cause paper jams.
- Do not place any objects other than paper on the bypass tray. Do not push down the tray or apply an excessive force to the tray.

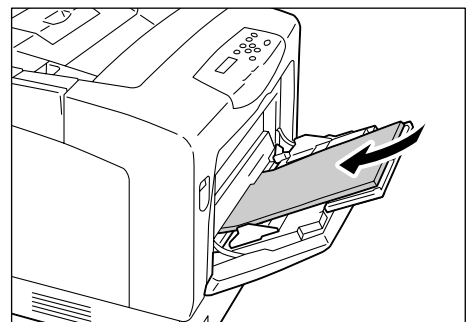
1. Pull the bypass tray open.



2. When loading long paper, extend the extension tray until it clicks into place. If the tray is not long enough, extend it all the way.



3. Load the paper with the print side facing down.



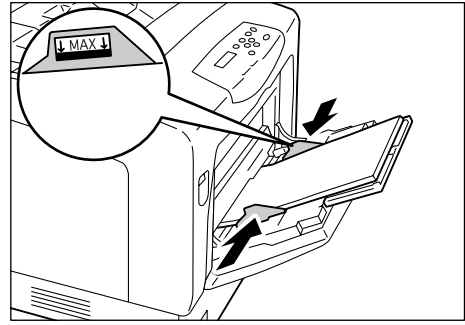
4. Adjust the paper guides to the size of the paper.

Important

- Make sure that the guides are positioned just lightly against the paper. The guides that are too tight or too loose can cause paper jams.

Note

- Do not fill paper above the maximum fill-line. Doing so can cause paper jams.



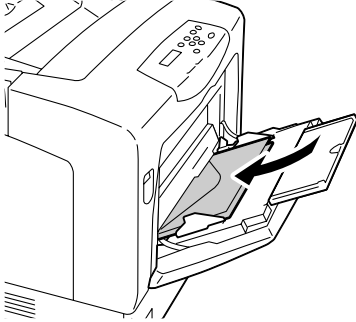
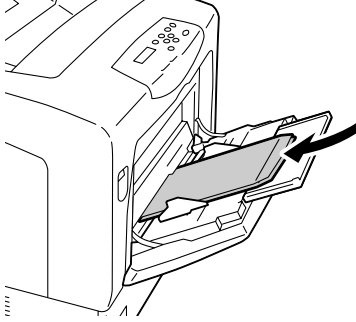
Note

- When printing from the bypass tray, set the size and type of the paper on your print driver. For more information, refer to the online help provided for the print driver.
- When [Bypass Mode] is set to [Panel Specified] (default: [DriverSpecified]) on the control panel, or when [Paper Size] is set to an option other than [Driver] (default), set the size and type of the paper loaded in the bypass tray before requesting a print job.

The printer prints your job only when the settings on your print driver match the settings on the control panel. For more information, refer to "[Bypass Mode]" (P. 121).

Feed Orientations for Envelopes

Envelopes can be loaded only in the bypass tray. Be sure to load them in the correct orientations.

Envelopes with Adhesive Flaps	Envelopes with Non-adhesive Flaps
<p>Example) Youchoukei 3</p> 	<p>Example) Choukei 3</p> 
<p>Load envelopes with the address side facing down and the edge with the flaps against the printer. Make sure that the flaps are closed.</p>	<p>Load envelopes with the address side facing down and the edge with the flaps against you. Make sure that the flaps are opened.</p>

Important

- For best print quality, do not use envelopes that:
 - are curled or twisted.
 - are stuck together or damaged.
 - have windows, holes, perforations, cutouts, or embossments.
 - use tie strings, metal claps, or metal folding bars.
 - have postage stamps attached.
 - have any exposed adhesive when the flaps are in the sealed position.
 - have deckle edges or creased corners.
 - have rough, cockled, or laid finishes.

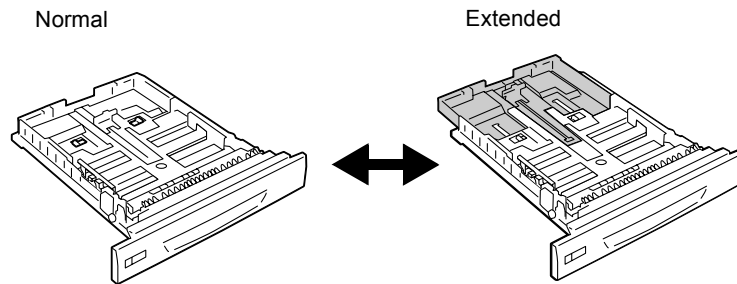
Loading Paper in the Trays 1 - 4

When loading paper longer than 14" (279.4 mm) such as B4, A3, and 11 x 17" in the tray 1, 2, 3 or 4, you must extend the tray. When the tray is extended, the extended portion sticks out from the back of the printer.

A5, B5, A4, and 8.5 x 11" size paper cannot be loaded in landscape orientation when a tray is extended. When loading A5, B5, A4, or 8.5 x 11" size paper in landscape orientation, unextend the tray by pushing the extended portion back into the tray.

For instructions on how to extend or unextend a tray, refer to Steps 2 and 3 in the following procedure.

If you do not need to extend or unextend a tray, skip Steps 2 and 3.

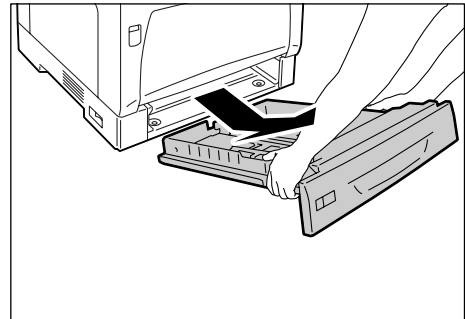


The following explains how to load paper in the tray 1. The procedure is the same also for the trays 2, 3, and 4.

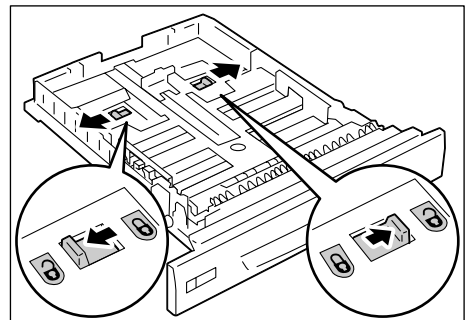
Important

- Do not remove or add paper to the paper trays during printing. Doing so can cause paper jams.
- Make sure that the power is on when load paper.

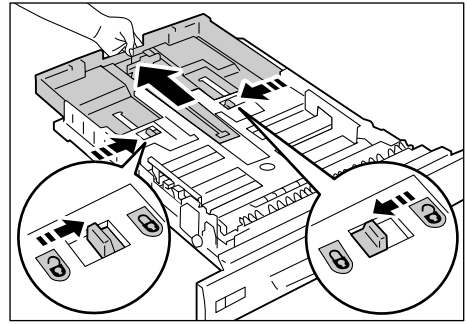
1. Pull out the tray until it stops. Hold the tray with both hands, lift it up slightly, and then pull it out completely.



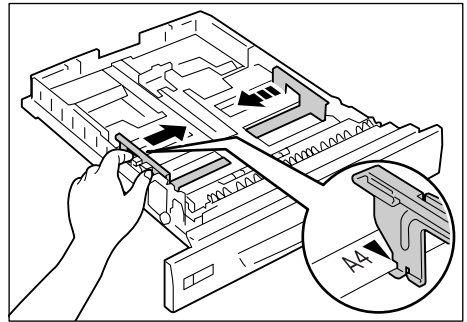
2. If you do not need to extend the tray, proceed to Step 4.
If you need to extend the tray, release the extension lock by sliding the left and right tabs in the tray outward.





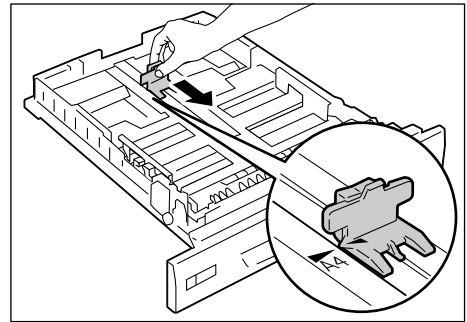
3. Extend (or unextend) the tray until the lock released in Step 2 is locked automatically. (Example: The tray is extended.)



4. Pinch the guide clip on the left side of the tray and slide it to the size of the paper. (Example: A4 landscape)



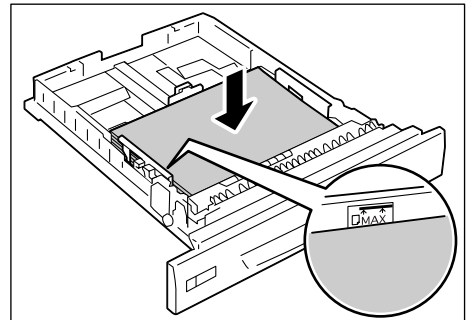
5. Pinch the rear guide clip and slide it to the size of the paper. Align the  mark of the paper size with the  mark on the guide.



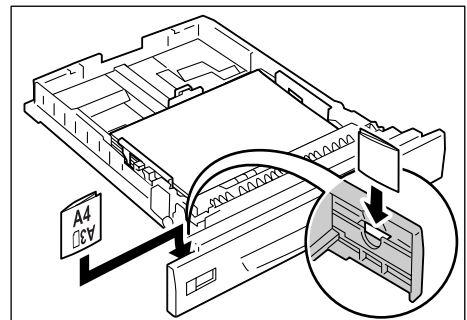
6. Load the paper with the print side facing up.

Note

- Do not fill paper above the maximum fill-line. Doing so can cause paper jams.



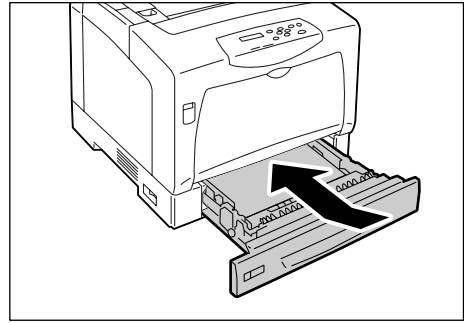
7. Place the appropriate paper size label on the tray.



8. Push the tray all the way into the printer.
If the tray is extended, the extended portion sticks out from the back of the printer.

Important

- When inserting the tray, be careful not to get your fingers caught between the tray and the printer or other tray (if the optional sheet feeders are installed).



Paper Sizes/ Paper Types of the Trays 1 - 4

If you load standard-size paper in the trays 1 - 4, the printer automatically senses the size and orientation of the paper in each paper tray. If you loaded non-standard-size paper into the tray 1, 2, 3, or 4, manually set its paper size on the control panel.

The printer does not have ability to sense the type of the paper loaded in each paper tray. The default paper types for the trays 1 - 4 are [Plain Paper]. If you loaded paper other than plain paper into the tray 1, 2, 3, or 4, manually change its paper type on the control panel.

Make sure to set the paper type correctly on the control panel. If the paper type setting does not match the actual type of the paper, toner may not fuse properly onto the paper, resulting in poor print quality.

Note

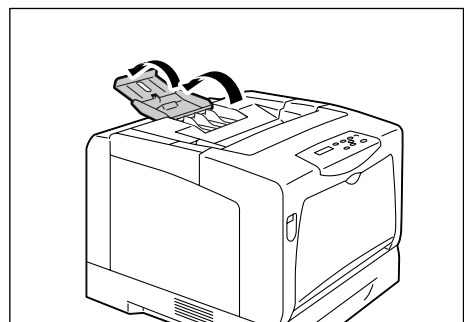
- The paper type setting can be changed under [Paper Type] on the control panel. You can also change the paper type from your print driver when requesting a print job.
- You can program your printer to display a message asking you to change the paper type each time you load paper into the paper trays. You can program this under [Display Screen] on the control panel.

Refer to

- For information on how to set a paper size on the control panel, refer to "[Paper Size]" (P. 123).
- For information on how to change the paper type on the control panel, refer to "Changing the Paper Types of the Trays 1 - 4" (P. 86).
- For information about [Display Screen], refer to "[Display Screen]" (P. 120).
- For information on how to set a paper type on your print driver, refer to "Printing by Changing the Paper Type Setting" (P. 55).

Extending the Extension Output Tray

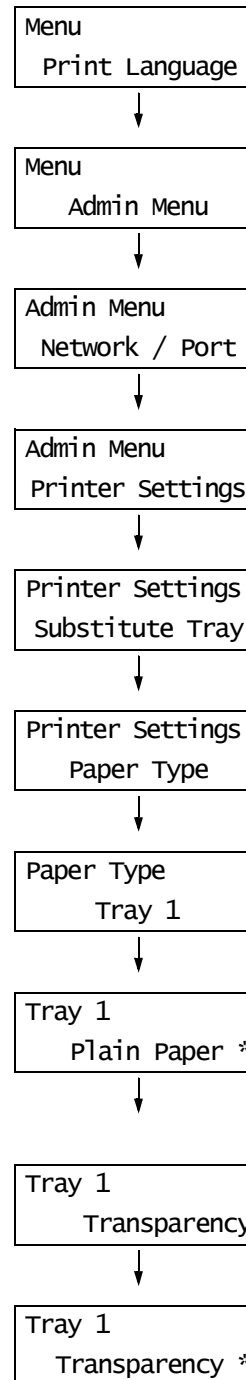
The extension output tray prevents printed output from falling off the printer.
When printing documents, extend the extension output tray.
If the tray is not long enough, extend it all the way (the tray extends in two stages).



Changing the Paper Types of the Trays 1 - 4

Use the following procedure when changing the paper types of the trays 1 - 4.

1. Press the <Menu> button on the control panel to display the menu screen.
2. Press the <▼> button until [Admin Menu] is displayed.
3. Press the <▶> button to accept the selection. [Network/ Port] is displayed.
4. Press the <▼> until [Printer Settings] is displayed.
5. Press the <▶> button to accept the selection. [Substitute Tray] is displayed.
6. Press the <▼> button until [Paper Type] is displayed.
7. Press the <▶> button to accept the selection. [Tray 1] is displayed.
8. Press the <▼> button until the desired paper tray is displayed, and press the <▶> button to accept the selection. The current setting is displayed.
9. Press the <▼> button until the desired paper type is displayed. (Example: Transparency)
10. Press the <Eject/Set> button to confirm your selection.
11. Press the <Menu> button to return to the print screen.



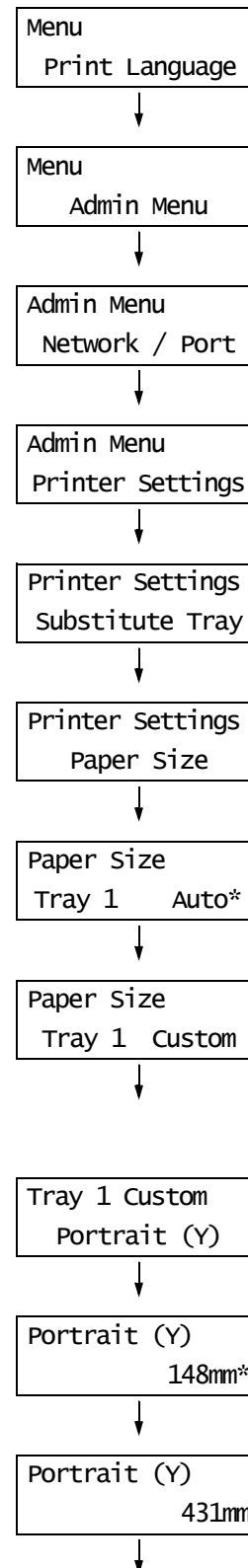
Setting the Paper Sizes of the Trays 1 - 4

Use the following procedure when setting non-standard paper sizes for the trays 1 - 4.

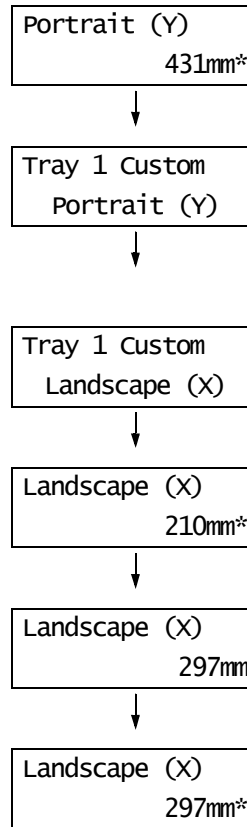
Note

- If you changed the paper loaded in a tray from standard-size paper to non-standard-size paper, select [Auto] in Step 8. The printer will automatically detect the orientation of the paper.
- To print on non-standard size paper, set the paper size also on your print driver. For more information, refer to "Loading Non-standard Size Paper" (P. 51).

1. Press the <Menu> button on the control panel to display the menu screen.
2. Press the <▼> button until [Admin Menu] is displayed.
3. Press the <▶> button to accept the selection. [Network/Port] is displayed.
4. Press the <▼> button until [Printer Settings] is displayed.
5. Press the <▶> button to accept the selection. [Substitute Tray] is displayed.
6. Press the <▼> button until [Paper Size] is displayed.
7. Press the <▶> button to accept the selection. [Tray 1] is displayed.
8. Press the <▼> button until the desired tray is displayed. Press the <▶> button to move to the right field and then press the <▼> button. [Tray 1 Custom] is displayed.
9. Press the <Eject/Set> button to confirm your selection. [Portrait (Y)] is displayed.
10. Press the <▶> button to select [Portrait (Y)]. The current setting is displayed.
11. Enter the length using the <▲> or <▼> button. (Example: 431 mm)



12. Press the <Eject/Set> button to confirm your entry.
13. After entering the length, proceed to enter the width.
Return to [Portrait (Y)] by pressing the <◀> button.
14. Press the <▼> button.
[Landscape (X)] is displayed.
15. Press the <▶> button to accept the selection.
The current setting is displayed.
16. Enter the width using the <▲> or <▼> button. (Example: 297 mm).
17. Press the <Eject/Set> button to confirm your entry.
18. If setting other trays, press the <◀> button until the screen in Step 8 is displayed, and repeat the preceding steps.
If you are finished with the setting, press the <Menu> button and return to the print screen.

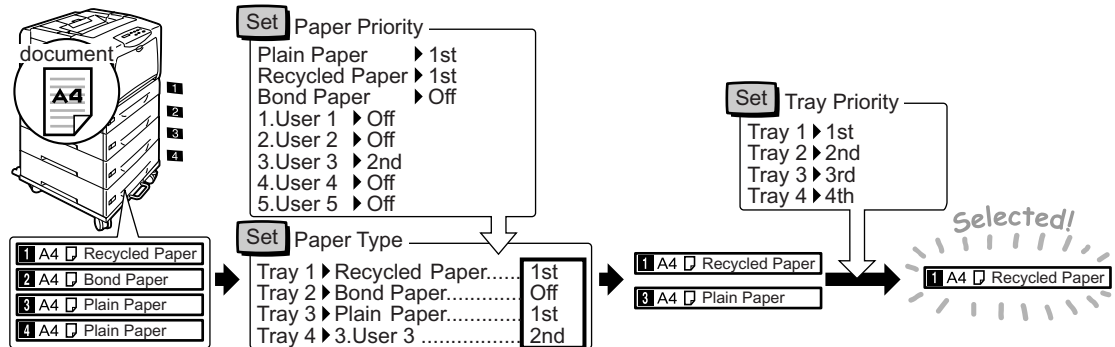


Auto Tray Selection Feature

If you request a print job with [Paper/Output] > [Paper Source] set to [Auto] on your print driver, the printer automatically selects a paper tray based on the size and orientation of the document to be printed. This feature is called “Auto Tray Selection”.

If there is more than one tray that is appropriate for the document, the printer checks the [Paper Priority] setting and selects a paper tray that contains the paper of the highest priority. If the [Paper Priority] setting is the same or [Off] for all paper types, the printer then selects a paper tray based on the [Tray Priority] setting.

For example...



Note

- The bypass tray is not subject for Auto Tray Selection.
- If no tray was found through Auto Tray Selection, the printer displays a message asking you to load the paper requested by the job. You can program your printer not to display this message and have the printer print the job on paper almost identical or larger than the paper requested (Substitute Tray feature).
- If a tray runs out of paper during printing, the printer automatically switches to another tray that contains the paper of the same size and orientation (Auto Tray Switch feature). The printer does not switch trays if [Paper Priority] is set to [Off].
- You can set paper types by giving them user-defined names. For example, if blue plain paper is loaded in one tray, you can name it “Plain blue” to differentiate it from other plain paper.

Refer to

- “[Printer Settings]” (P. 120)

5 Control Panel Menus

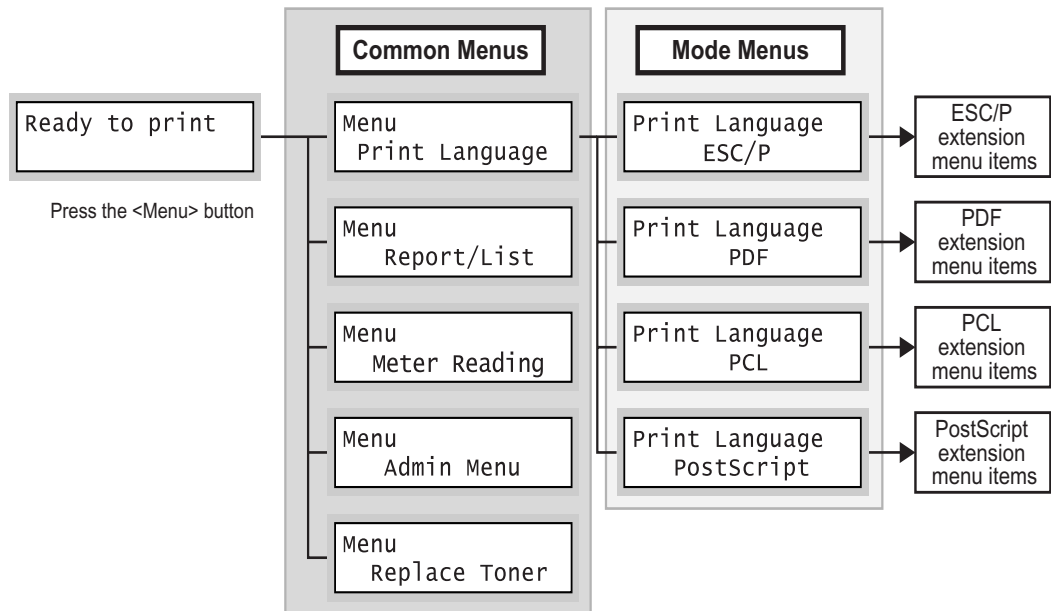
5.1 Overview of the Common Menus

Menu Structure

The control panel menus consist of five common menus and four mode menus. The mode menus can be accessed from [Print Language] (one of the common menus) and provide menu items specific for print language settings.

Note

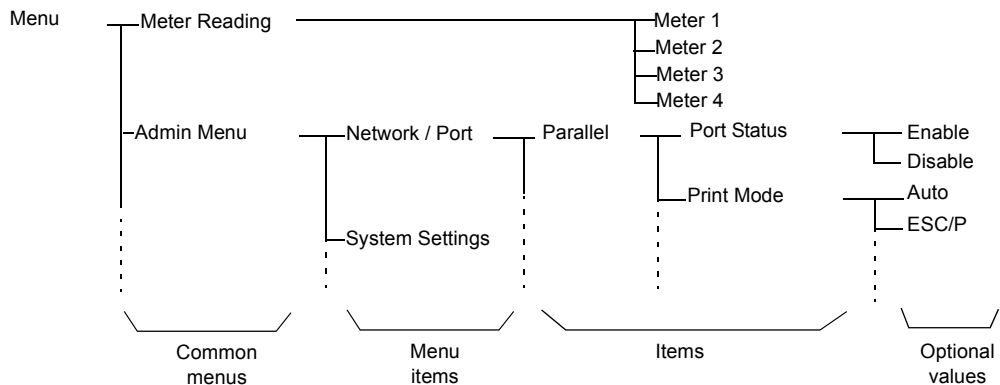
- On the DocuPrint C3055, [PostScript] appears only when the PostScript software kit (optional) is installed.



Each common menu is organized into the following structure:

- common menu > menu items > items > optional values

The following is a portion of the hierarchical structure of the common menus.



The following table describes the overview of the common menus.

Common menu	Description	Reference
Print Language	[ESC/P] Sets the ESC/P emulation mode.	ESC/P Emulation Setting Guide and PCL Emulation Setting Guide on the Driver CD Kit included with the printer.
	[PCL] Sets the PCL emulation mode.	
	[PDF] Sets the settings for printing PDF files directly.	"[PDF]" (P. 95)
	[PostScript] Sets the PostScript-related settings.	"[PostScript]" (P. 98)
Report/List	Prints a variety of reports/lists.	"7.2 Printing the Reports/Lists" (P. 171)
Meter Reading	Displays the number of printed pages to date.	"Checking the Meter Reading by Output Color (Meter)" (P. 186)
Admin Menu	[Network/Port] Sets host interfaces and the settings required to enable their communication.	"[Network/Port]" (P. 99)
	[System Settings] Sets the printer's basic functions, such as alert tones and the Power Saver feature. It also sets a password to the control panel to prevent setting from being changed unintentionally.	"[System Settings]" (P. 113)
	[Printer Settings] Sets the paper trays and the Auto Tray Selection feature.	"[Printer Settings]" (P. 120)
	[Maintenance Mode] Sets the settings for various maintenance tasks.	"[Maintenance Mode]" (P. 127)
	[Init/Del Data] Initializes the hard disk and settings and deletes data (such as forms) stored in the printer.	"[Init/Del Data]" (P. 130)
Replace Toner	Moves a toner cartridge to the replacement position.	"[Replace Toner]" (P. 131)

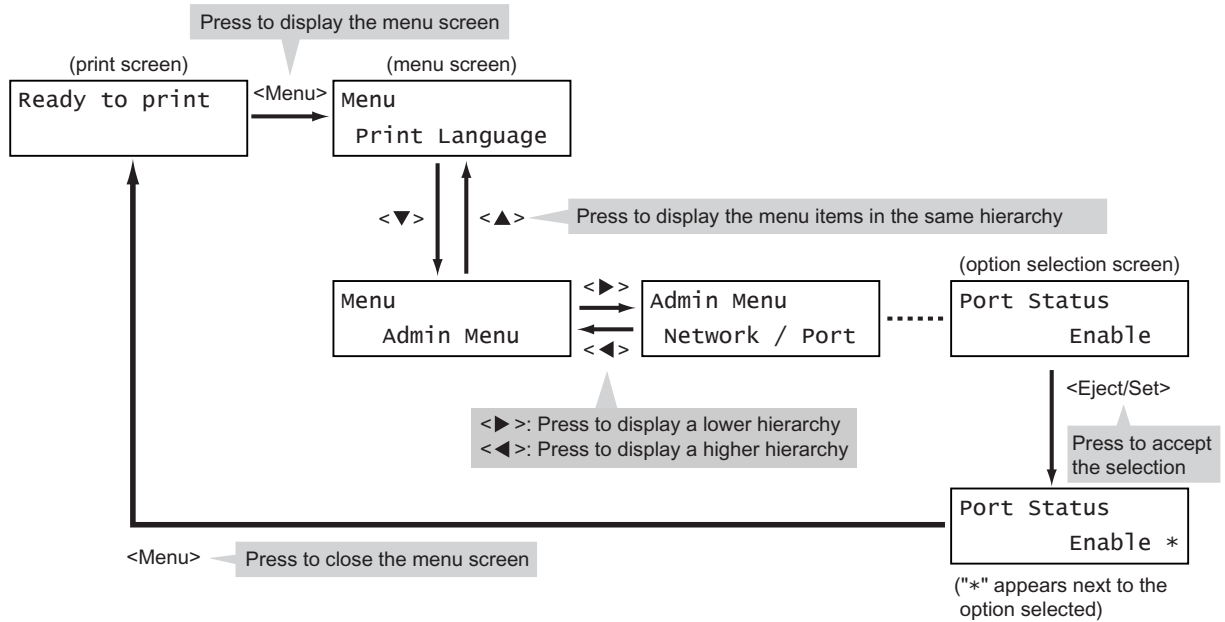
Refer to

- For information on how to set each menu item, refer to " Basic Procedure" (P. 92).

Changing the Settings

Basic Procedure

To display a menu screen or to move up and down the menus, use the following buttons on the control panel.



Note

- Once you save a value by pressing the <Eject/Set> button, an asterisk "*" appears next to the value. To change the value, return to the initial screen and repeat the preceding steps.
- If the menu screen is left idle for 3 minutes, the display returns to the print screen. Any incomplete setting on the menu screen made 3 minutes before becomes invalid.

Resetting a Value to Its Default

To reset a value to its default, display the value and press the <▲> and <▼> buttons simultaneously. The value changes to its factory setting. To accept the value, press the <Eject/Set> button.

Setting Example: Changing the Power Saver Mode Setting

Use the following procedure to set a value on the control panel.

In this example, we will set [Low Power Timer] (an interval at which the printer switches to the Low Power mode) to [60 Minutes].

1. Press the <Menu> button to display the menu screen.

Menu
Print Language

2. Press the <▼> button until [Admin Menu] is displayed.

Menu
Admin Menu

Note

- If you went past the desired item, return to the item by pressing the <▲> button.

3. Press the <▶> button to accept the selection.
Move on to the lower hierarchy.

Admin Menu
Network / Port

Note

- If you pressed the <▶> button on the wrong item, return to the previous screen by pressing the <◀> button.
- To start over from the beginning, press the <Menu> button.

4. Press the <▼> button until [System Settings] is displayed.

Admin Menu
System Settings

5. Press the <▶> button to accept the selection.
Move on to the lower hierarchy.

System Settings
Audio Tone

6. Press the <▼> button until [Low Power Timer] is displayed.

System Settings
Low Power Timer

7. Press the <▶> button to accept the selection.
The current set value appears.

Low Power Timer
5 Minutes*

8. Press the <▲> or <▼> button to display [60 Minutes].

Low Power Timer
60 Minutes

Note

- Holding down the <▲> or <▼> button scrolls through the options in a circular fashion.

9. Press the <Eject/Set> button to accept the value.

Low Power Timer
60 Minutes*

10. The setting is now complete.
Press the <Menu> button to return to the
[Ready to print] screen.

Ready to print

5.2 Setting the Common Menus

This section describes the setting items in the common menus.

Note

- For information on how to set the menu items, refer to " Changing the Settings" (P. 92).
- Some of the menu items can be configured also on CentreWare Internet Services. For details, refer to the online help provided for CentreWare Internet Services.
- For the entire tree list of the common menus, refer to the "Control Panel Menu Tree" at the end of this guide.

[Print Language]

The [Print Language] menu consists of four submenus: [ESC/P], [PDF], [PCL], and [PostScript].

[ESC/P]

For information about the items under [ESC/P], refer to the 'ESC/P Emulation Setting Guide' on the CD-ROM included with the printer.

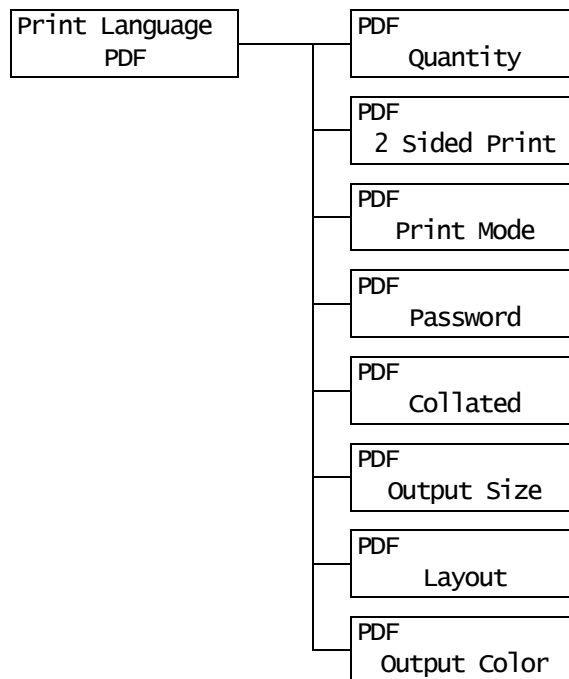
[PDF]

Allows you to send PDF files directly to the printer using PDF Bridge that comes standard with the printer.

The [PDF] settings will be used when printing PDF files without using ContentsBridge Utility (software by Fuji Xerox Co., Ltd.).

Refer to

- "3.8 Printing PDF Files Directly" (P. 67)



Setting Item	Description
Quantity	Sets the print quantity. <ul style="list-style-type: none"> • [1 Set (s)] to [999 Set (s)] (default: [1 Set (s)]) Note <ul style="list-style-type: none"> • Depending on the protocol used for file transmission, the value specified on the protocol may override the [Quantity] setting.
2 Sided Print	Sets whether to enable 2-sided printing. <ul style="list-style-type: none"> • [1 Sided] (default) Disables 2-sided printing. • [Long Edge Flip] Prints on both sides of paper so that the finished document opens like a book. • [Short Edge Flip] Prints on both sides of paper so that the finished document opens like a calender. Note <ul style="list-style-type: none"> • On the DocuPrint C3055, [2 Sided Print] appears only when the duplex unit (optional) is installed.
Print Mode	Sets the print mode to one of the followings: <ul style="list-style-type: none"> • [Normal] (default) Prints documents at standard speed with standard image quality. • [High Quality] Produces higher image quality than [Normal], but at a lower print speed. • [High Speed] Prints documents at a higher speed than [Normal].
Password	Before printing a password-locked PDF, set the password here. The file will be printed only if its password matches the password you set here. The password can be up to 32 alphanumeric characters. (See *4 No.1, 2, 3, 4 on P. 131.)
Collated	Sets whether to collate multiple-set documents. (1, 2, 3..., 1, 2, 3...) <ul style="list-style-type: none"> • [Off] (default) • [On]
Output Size	Sets the output paper size. <ul style="list-style-type: none"> • [Auto] Automatically determines the output size based on the size and settings of your PDF file. • [A4] or [8.5 x 11] (default) Displays either [A4] or [8.5 x 11] depending on the option selected under [Admin Menu] > [Printer Settings] > [Default Paper Size].

Setting Item	Description
Layout	<p>Sets the output layout.</p> <ul style="list-style-type: none"> • [Auto %] (default) Automatically selects the output size (A4 or Letter depending on the size of your PDF file) and calculates the zoom ratio to print the file as large as possible on the output paper. • [100% (No Zoom)] Prints your PDF file in its original size regardless of the output size. • [Booklet] Creates a booklet from a set of 2-sided documents. It correctly positions each page to produce output, that when folded, will be ordered read like a book. Depending on the page structure, [Booklet] cannot be used and [Auto %] is used instead. When [Output Size] is [A4], the output size will be A4. When [Output Size] is [Auto], the output size will be A3 or A4. • [2 Pages Up] Prints two pages onto one sheet of paper. When this is selected, the output size will be A4. • [4 Pages Up] Prints four pages onto one sheet of paper. When this is selected, the output size will be A4. <p>Note</p> <ul style="list-style-type: none"> • To use [Booklet] on the DocuPrint C3055, the duplex unit (optional) must be installed. If the duplex unit is not installed, the printer only performs 1-sided printing.
Output Color	<p>Sets the output color.</p> <ul style="list-style-type: none"> • [Color (Auto)] (default) Automatically determines the output color of each page. Pages that contain colors other than black and white will be printed in color, and those that contain only black and white will be printed in monochrome. • [Black] Prints documents in monochrome.

[PCL]

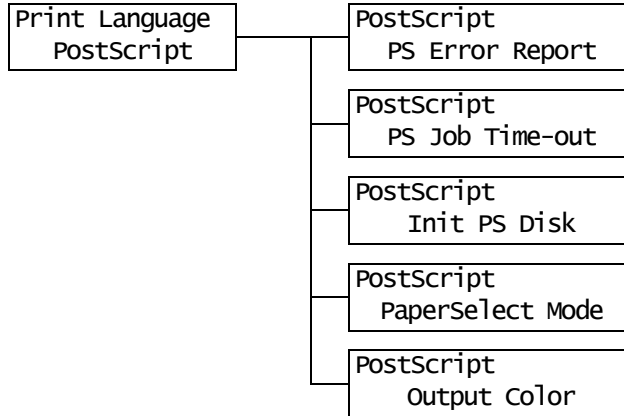
For information about the items under [PCL], refer to the 'PCL Emulation Setting Guide' on the CD-ROM included with the printer.

[PostScript]

Sets the settings related to PostScript.

Note

- On the DocuPrint C3055, [PostScript] appears only when the PostScript software kit (optional) is installed.



Setting Item	Description
PS Error Report	<p>Sets whether to print an error report in case of a PostScript error.</p> <ul style="list-style-type: none"> • [On] (default) • [Off] <p>Note</p> <ul style="list-style-type: none"> • After changing this setting, reboot the printer.
PS Job Time-out	<p>Sets the amount of time the printer waits for a print job. If a time-out occurs during data reception, the printer stops the reception and prints the data that has been received.</p> <p>Specify the time-out value in 1 minute increments.</p> <ul style="list-style-type: none"> • [Off] (default) Disables the job time-out. • [1 Minutes] to [900 Minutes] <p>Note</p> <ul style="list-style-type: none"> • After changing this setting, reboot the printer.
Init PS Disk	<p>Initializes the PostScript information stored in the hard disk (optional).</p> <p>Note</p> <ul style="list-style-type: none"> • [Init PS Disk] appears only when the hard disk (optional) is installed.
Paper Select Mode	<p>Sets whether to enable the PostScript DMS (Deferred Media Selection) feature.</p> <ul style="list-style-type: none"> • [Auto] (default) Enables the DMS feature. • [Select From Tray] Disables the DMS feature and selects a paper tray. <p>Note</p> <ul style="list-style-type: none"> • After changing this setting, reboot the printer.
Output Color	<p>Sets the output color for PostScript.</p> <ul style="list-style-type: none"> • [Color] (default) • [Black] <p>Note</p> <ul style="list-style-type: none"> • After changing this setting, reboot the printer.

[Report/List]

Allows you to print a variety of reports/lists. For details on the reports/lists and how to print them, refer to "7.2 Printing the Reports/Lists" (P. 171).

Note

- The reports/lists that can be printed vary depending on the options installed on your printer. For details, refer to "Types of the Reports/Lists" (P. 171).

[Meter Reading]

Displays the number of printed pages on the control panel. Meter information can be checked for each output color. For details on the meter information and how to display it, refer to "Checking the Meter Reading by Output Color (Meter)" (P. 186).

[Admin Menu]

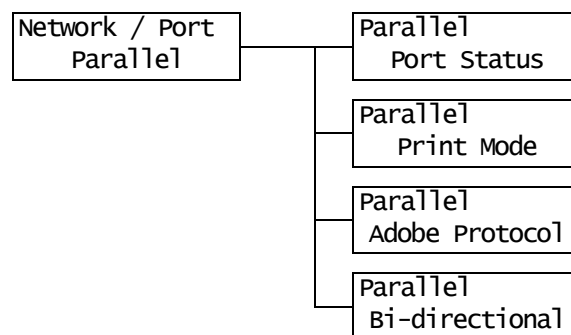
The [Admin Menu] menu consists of the five submenus: [Network/Port], [System Settings], [Printer Settings], [Maintenance Mode], and [Init/Del Data].

[Network/Port]

Allows you to set host interfaces and the setting required to enable their communication.

[Parallel]

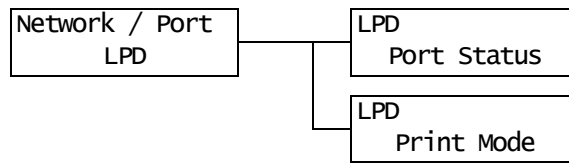
Set this when using the Parallel port.



Setting Item	Description
Port Status	<p>Sets whether to enable or disable the parallel port at printer start-up.</p> <ul style="list-style-type: none"> • [Enable] (default) • [Disable] <p>Note</p> <ul style="list-style-type: none"> • After changing this setting, reboot the printer.
Print Mode	<p>Sets the method of processing data (print language).</p> <ul style="list-style-type: none"> • [Auto] (default) After receiving data from a computer, the printer automatically detects its print language and processes the data accordingly. (See *1 on P. 131.) • [ESC/P], [PDF], [PS], [PCL] After receiving data from a computer, the printer processes the data with the selected print language. • [HexDump] Allows you to view data received from a computer by printing it in ASCII codes (hexadecimal format). (See *3 on P. 131.) <p>Note</p> <ul style="list-style-type: none"> • On the DocuPrint C3055, [PS] appears only when the PostScript software kit (optional) is installed.
Adobe Protocol	<p>Sets the PostScript communication protocol.</p> <ul style="list-style-type: none"> • [Auto] Automatically detects the PostScript communication protocol. • [Standard] Select this when the communication protocol is in ASCII format. • [BCP] Select this when the communication protocol is in binary format. • [Binary] Select this when no special processing is required for data. • [TBCP] (default) Select this when the communication protocol are both in ASCII and binary formats and switches between the two using control codes. <p>Note</p> <ul style="list-style-type: none"> • On the DocuPrint C3055, [Adobe Protocol] appears only when the PostScript software kit (optional) is installed. • Select an appropriate option according to the data format specified on your print driver. • [Adobe Protocol] is valid only when printing in PostScript. • After changing this setting, reboot the printer.
Bi-directional	<p>Sets whether to enable bi-directional parallel communication (IEEE1284).</p> <ul style="list-style-type: none"> • [Enable] (default) • [Disable] <p>Note</p> <ul style="list-style-type: none"> • After changing this setting, reboot the computer.

[LPD]

Set this when using the LPD port.



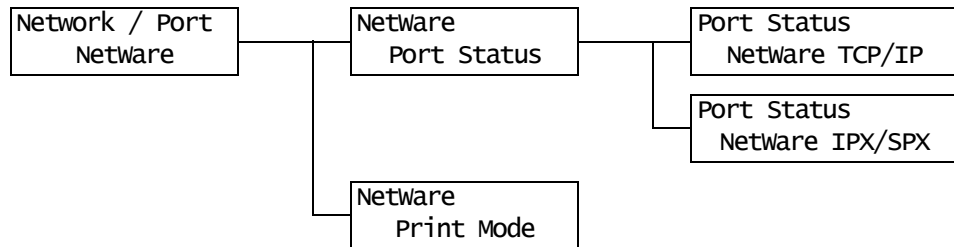
Setting Item	Description
Port Status	<p>Sets whether to enable or disable the LPD port at printer start-up.</p> <ul style="list-style-type: none">• [Enable] (default)• [Disable] <p>Note</p> <ul style="list-style-type: none">• After changing this setting, reboot the computer.
Print Mode	<p>Sets the method of processing data (print language).</p> <ul style="list-style-type: none">• [Auto] (default) After receiving data from a computer, the printer automatically detects its print language and processes the data accordingly. (See *1 on P. 131.)• [ESC/P], [PDF], [PS], [PCL] After receiving data from a computer, the printer processes the data with the selected print language.• [HexDump] Allows you to view data received from a computer by printing it in ASCII codes (hexadecimal format). (See *3 on P. 131.) <p>Note</p> <ul style="list-style-type: none">• On the DocuPrint C3055, [PS] appears only when the PostScript software kit (optional) is installed.

[NetWare]

Set this when using the NetWare port.

Note

- [NetWare] appears only when the network expansion card (optional) is installed.



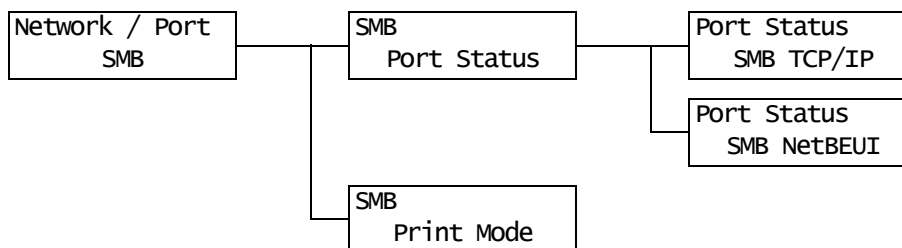
Setting Item	Description
Port Status	<p>Sets whether to enable or disable the NetWare port at printer start-up. When [Enable] is selected, select TCP/IP or IPX/SPX.</p> <ul style="list-style-type: none"> • [Enable] (default) • [Disable] <p>Note</p> <ul style="list-style-type: none"> • After changing this setting, reboot the printer.
Print Mode	<p>Sets the method of processing data (print language).</p> <ul style="list-style-type: none"> • [Auto] (default) After receiving data from a computer, the printer automatically detects its print language and processes the data accordingly. (See *1 on P. 131.) • [ESC/P], [PDF], [PS], [PCL] After receiving data from a computer, the printer processes the data with the selected print language. • [HexDump] Allows you to view data received from a computer by printing it in ASCII codes (hexadecimal format). (See *3 on P. 131.) <p>Note</p> <ul style="list-style-type: none"> • On the DocuPrint C3055, [PS] appears only when the PostScript software kit (optional) is installed.

[SMB]

Set this when using the SMB port.

Note

- [SMB] appears only when the network expansion card (optional) is installed.



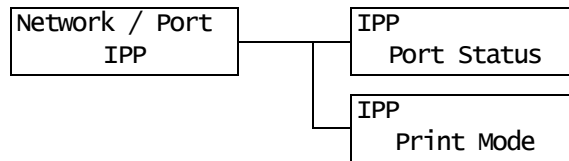
Setting Item	Description
Port Status	<p>Sets whether to enable or disable the SMB port at printer start-up. If you selected [Enable], select also TCP/IP or NetBEUI.</p> <ul style="list-style-type: none">• [Enable] (default)• [Disable] <p>Note</p> <ul style="list-style-type: none">• After changing this setting, reboot the printer.
Print Mode	<p>Sets the method of processing data (print language).</p> <ul style="list-style-type: none">• [Auto] (default) After receiving data from a computer, the printer automatically detects its print language and processes the data accordingly. (See *1 on P. 131.)• [ESC/P], [PDF], [PS], [PCL] After receiving data from a computer, the printer processes the data with the selected print language.• [HexDump] Allows you to view data received from a computer by printing it in ASCII codes (hexadecimal format). (See *3 on P. 131.) <p>Note</p> <ul style="list-style-type: none">• On the DocuPrint C3055, [PS] appears only when the PostScript software kit (optional) is installed.

[IPP]

Set this when using the IPP port.

Note

- [IPP] appears only when the network expansion card (optional) is installed.



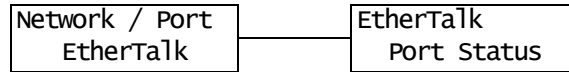
Setting Item	Description
Port Status	Sets whether to enable or disable the IPP port at printer start-up. <ul style="list-style-type: none">• [Enable] (default)• [Disable] Note <ul style="list-style-type: none">• After changing this setting, reboot the printer.
Print Mode	Sets the method of processing data (print language). <ul style="list-style-type: none">• [Auto] (default) After receiving data from a computer, the printer automatically detects its print language and processes the data accordingly. (See *1 on P. 131.)• [ESC/P], [PDF], [PS], [PCL] After receiving data from a computer, the printer processes the data with the selected print language.• [HexDump] Allows you to view data received from a computer by printing it in ASCII codes (hexadecimal format). (See *3 on P. 131.) Note <ul style="list-style-type: none">• On the DocuPrint C3055, [PS] appears only when the PostScript software kit (optional) is installed.

[EtherTalk]

Set this when using the EtherTalk port.

Note

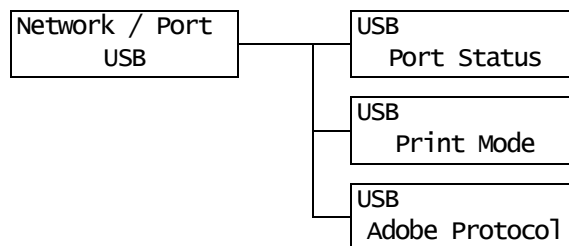
- [EtherTalk] appears only when the network expansion card (optional), and the PostScript software kit (optional for the DocuPrint C3055 only) are installed.



Setting Item	Description
Port Status	Sets whether to enable or disable the EtherTalk port at printer start-up. <ul style="list-style-type: none">• [Enable] (default)• [Disable] Note <ul style="list-style-type: none">• After changing this setting, reboot the printer.

[USB]

Set this when using the USB port.

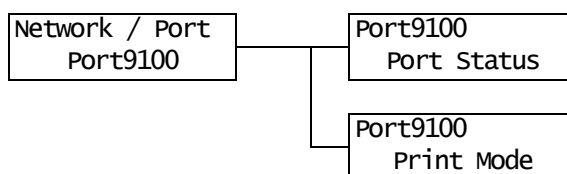


Setting Item	Description
Port Status	Sets whether to enable or disable the USB port at printer start-up. <ul style="list-style-type: none">• [Enable] (default)• [Disable] Note <ul style="list-style-type: none">• After changing this setting, reboot the printer.
Print Mode	Sets the method of processing data (print language). <ul style="list-style-type: none">• [Auto] (default) After receiving data from a computer, the printer automatically detects its print language and processes the data accordingly. (See *1 on P. 131.)• [ESC/P], [PDF], [PS], [PCL] After receiving data from a computer, the printer processes the data with the selected print language.• [HexDump] Allows you to view data received from a computer by printing it in ASCII codes (hexadecimal format). (See *3 on P. 131.) Note <ul style="list-style-type: none">• On the DocuPrint C3055, [PS] appears only when the PostScript software kit (optional) is installed.

Setting Item	Description
Adobe Protocol	<p>Sets the PostScript communication protocol.</p> <ul style="list-style-type: none"> • [Auto] Automatically detects the PostScript communication protocol. • [Standard] Select this when the communication protocol is in ASCII format. • [BCP] Select this when the communication protocol is in binary format. • [Binary] Select this when no special processing is required for data. • [TBCP] (default) Select this when the communication protocol are both in ASCII and binary formats and switches between the two using control codes. <p>Note</p> <ul style="list-style-type: none"> • On the DocuPrint C3055, [Adobe Protocol] appears only when the PostScript software kit (optional) is installed. • Select an appropriate option according to the data format specified on your print driver. • [Adobe Protocol] is valid only when printing in PostScript. • After changing this setting, reboot the printer.

[Port9100]

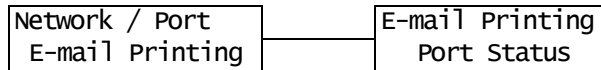
Set this when using the Port9100 port.



Setting Item	Description
Port Status	<p>Sets whether to enable or disable the Port9100 port at printer start-up.</p> <ul style="list-style-type: none"> • [Enable] (default) • [Disable] <p>Note</p> <ul style="list-style-type: none"> • After changing this setting, reboot the printer.
Print Mode	<p>Sets the method of processing data (print language).</p> <ul style="list-style-type: none"> • [Auto] (default) After receiving data from a computer, the printer automatically detects its print language and processes the data accordingly. (See *1 on P. 131.) • [ESC/P], [PDF], [PS], [PCL] After receiving data from a computer, the printer processes the data with the selected print language. • [HexDump] Allows you to view data received from a computer by printing it in ASCII codes (hexadecimal format). (See *3 on P. 131.) <p>Note</p> <ul style="list-style-type: none"> • On the DocuPrint C3055, [PS] appears only when the PostScript software kit (optional) is installed.

[E-mail Printing]

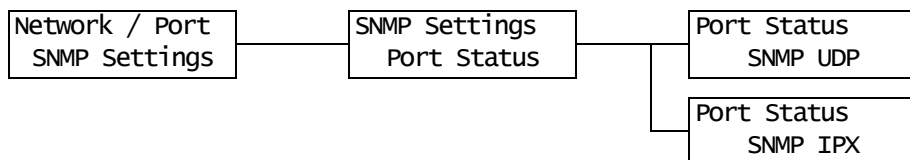
Set whether to use the E-mail Printing feature.



Setting Item	Description
E-mail Printing	Sets whether to enable or disable the E-mail port at printer start-up. <ul style="list-style-type: none">• [Enable] (default)• [Disable] Note <ul style="list-style-type: none">• After changing this setting, reboot the printer.

[SNMP Settings]

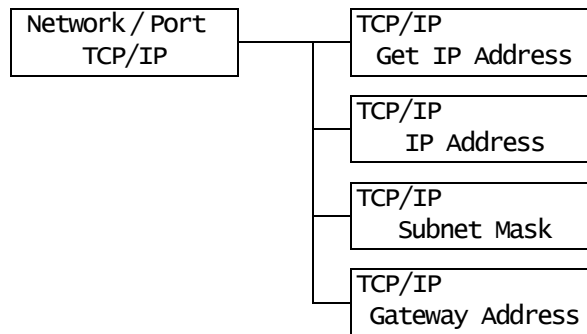
Set this when using the SNMP port. SNMP must be used when managing multiple printers remotely with an application. SNMP manages printer information and provides it to the application.



Setting Item	Description
Port Status	Sets whether to enable or disable the SNMP port at printer start-up. If you selected [Enable], select also UDP or IPX. <ul style="list-style-type: none">• [Enable] (default)• [Disable] Note <ul style="list-style-type: none">• When using UDP protocol, both the printer and client computers must have IP addresses.• [SNMP IPX] appears only when the network expansion card (optional) is installed.• To determine which protocol (UDP or IPX) to use, refer to the manual supplied for the application.• After changing this setting, reboot the printer.

[TCP/IP]

Set this when using the TCP/IP port.



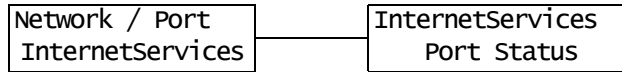
Setting Item	Description
Get IP Address	<p>Sets the method of obtaining the information (the IP address, subnet mask, or gateway address) required to use the TCP/IP protocol.</p> <ul style="list-style-type: none"> • [DHCP/Autonet] (default) Automatically obtains the information from the DHCP (Dynamic Host Configuration Protocol) server that has the AutoIP feature. • [DHCP] Automatically obtains the information from the DHCP server. • [BOOTP] Automatically obtains the information from the BOOTP. • [RARP] Automatically obtains the information from the RARP. • [Panel] Sets the information manually on the control panel. Consult your network administrator for the IP address number. <p>Note</p> <ul style="list-style-type: none"> • After changing this setting, reboot the printer.
IP Address, Subnet Mask, Gateway Address	<p>Allows you to verify or manually enter the IP address. Enter the IP address in the format of: xxx.xxx.xxx.xxx For IP or gateway addresses, xxx can be any number between 0 and 255. However, the first xxx cannot be 127 or a number between 224 and 255. For subnet masks, each xxx must be one of the following numbers: 0, 128, 192, 224, 240, 248, 252, 254, and 255. (See *2 on P. 131.)</p> <p>Important</p> <ul style="list-style-type: none"> • Make sure you set the IP address correctly. Setting the wrong address can cause problems on the network. <p>Note</p> <ul style="list-style-type: none"> • After changing this setting, reboot the printer.

[Internet Services]

Set whether to use the Internet Services port.

Selecting [Enable] allows you to use CentreWare Internet Services.

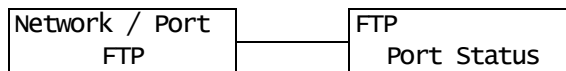
CentreWare Internet Services allows you to monitor or remotely configure the printer using a web browser on your computer.



Setting Item	Description
Port Status	Sets whether to enable or disable the Internet Services port at printer start-up. <ul style="list-style-type: none">• [Enable] (default)• [Disable] Note <ul style="list-style-type: none">• After changing this setting, reboot the printer.

[FTP]

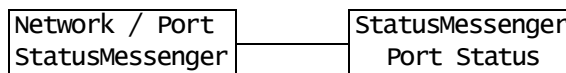
Set this when using the FTP port.



Setting Item	Description
Port Status	Sets whether to enable or disable the FTP port at printer start-up. <ul style="list-style-type: none">• [Enable] (default)• [Disable] Note <ul style="list-style-type: none">• After changing this setting, reboot the printer.

[StatusMessenger]

Set whether to use the StatusMessenger feature.



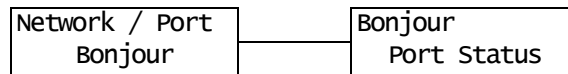
Setting Item	Description
Port Status	Sets whether to enable or disable the StatusMessenger port at printer start-up. <ul style="list-style-type: none">• [Enable] (default)• [Disable] Note <ul style="list-style-type: none">• After changing this setting, reboot the printer.

[Bonjour]

Set whether to use the Multicast DNS feature.

Note

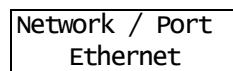
- [Bonjour] appears only when the network expansion card (optional) is installed.



Setting Item	Description
Port Status	Sets whether to enable or disable the Bonjour port at printer start-up. <ul style="list-style-type: none">• [Enable] (default)• [Disable] Note <ul style="list-style-type: none">• After changing this setting, reboot the printer.

[Ethernet]

Set the settings related to the Ethernet interface.



Setting Item	Description
Ethernet	Sets the communication speed and connector type for the Ethernet interface. <ul style="list-style-type: none">• [Auto] (default) Automatically detects 100 M (full duplex), 100 M (half duplex), 10 M (full duplex), or 10 M (half duplex).• [100M Full Duplex] Uses 100 M (full duplex).• [100M Half Duplex] Uses 100 M (half duplex).• [10M Full Duplex] Uses 10 M (full duplex).• [10M Half Duplex] Uses 10 M (half duplex). Note <ul style="list-style-type: none">• After changing this setting, reboot the printer.

[IPX/SPX Frame Type]

Set the IPX/SPX frame type.

Note

- [IPX/SPX Frame Type] appears only when the network expansion card (optional) is installed.

Network / Port IPX/SPXFrameType

Setting Item	Description
IPX/SPX Frame Type	<p>Sets the IPX/SPX frame type.</p> <ul style="list-style-type: none">• [Auto] (default) Automatically selects the frame type.• [Ethernet II] Uses the Ethernet frame type.• [Ethernet 802.3] Uses the IEEE802.3 frame type.• [Ethernet 802.2] Uses the IEEE802.2 frame type.• [Ethernet SNAP] Uses the SNAP frame type. <p>Note</p> <ul style="list-style-type: none">• After changing this setting, reboot the printer.

[Network Settings]

Note

- On the DocuPrint C3055, [Network Settings] appears only when the PostScript software kit (optional) is installed.

Network / Port Network Settings	Network Settings Adobe Protocol
------------------------------------	------------------------------------

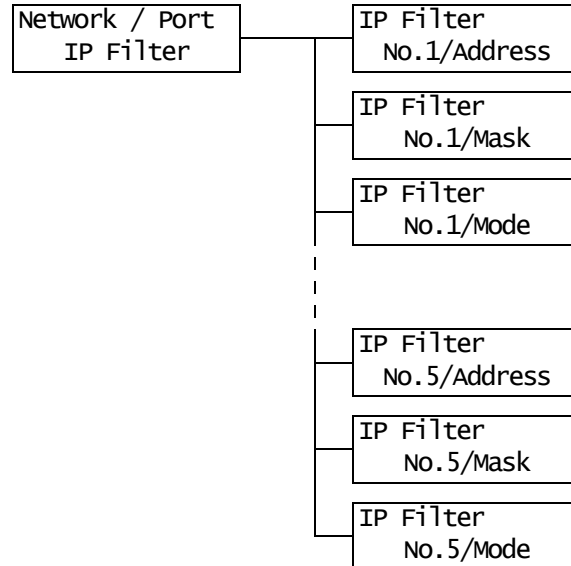
Setting Item	Description
Adobe Protocol	<p>Sets the Adobe communication protocol.</p> <ul style="list-style-type: none">• [Auto] (default) Automatically detects the communication protocol.• [Standard] Select this when the communication protocol is in ASCII format.• [BCP] Select this when the communication protocol is in binary format.• [Binary] Select this when no special processing is required for data.• [TBCP] Select this when the communication protocol are both in ASCII and binary formats and switches between the two using control codes. <p>Note</p> <ul style="list-style-type: none">• Select an appropriate option according to the data format specified on your print driver.• [Adobe Protocol] is valid only when printing in PostScript.• After changing this setting, reboot the printer.

[IP Filter]

Set this when controlling data reception by IP addresses.

Note

- [IP Filter] can be set also on CentreWare Internet Services. For details, refer to "Controlling Data Reception by IP Address" (P. 184).



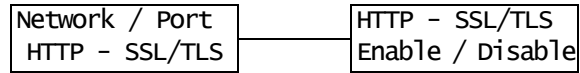
Setting Item	Description
[No.1/Address] to [No. 5/Address]	Enter the IP addresses using numbers between 1 and 255. The first xxx, however, cannot be 127 or a number between 224 and 255. (See *2 on P. 131.) Note • After changing this setting, reboot the printer.
[No.1/Mask] to [No. 5/Mask]	Enter the subnet masks using the following numbers: 0, 128, 192, 224, 240, 248, 252, 254, and 255. (See *2 on P. 131.) Note • After changing this setting, reboot the printer.
[No.1/Mode] to [No. 5/Mode]	Sets the restriction conditions for the addresses. • [Off] (default) Disables this feature. • [Permit] Accepts print jobs from the addresses. • [Reject] Rejects print jobs from the addresses. Note • After changing this setting, reboot the printer.

[HTTP-SSL/TLS]

Set this when encrypting HTTP communication using SSL/TLS protocol. [HTTP-SSL/TLS] appears only when a certificate is registered on the printer.

Note

- For details on encrypting HTTP communication and a certificate required for the printer, refer to "SSL Data Encryption for HTTP Communication" (P. 179).
- The SSL/TLS communication feature is available only when the network expansion card (optional) is installed.
- The SSL/TLS communication feature is not supported on the model available in China.



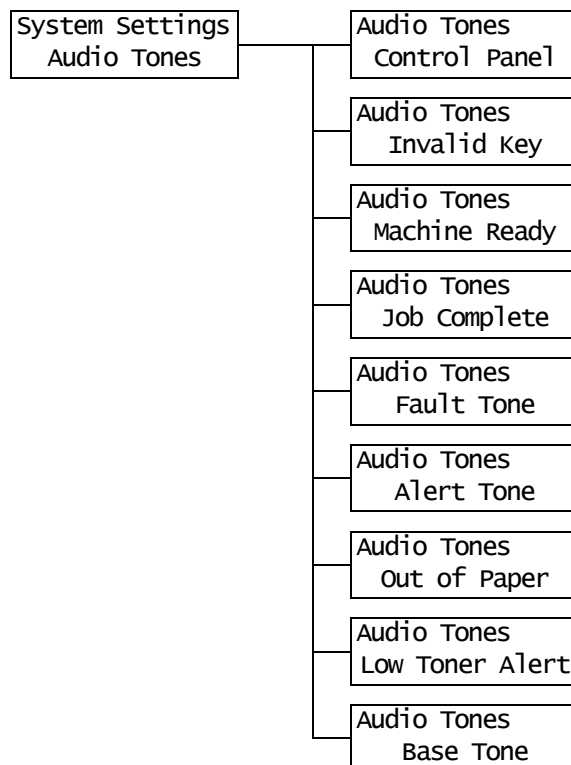
Setting Item	Description
Enable / Disable	Sets whether to encrypt HTTP communication data using the SSL/TLS protocol. <ul style="list-style-type: none">• [Disable] (default) Disables SSL/TLS communication.• [Enable] Enables SSL/TLS communication. Note <ul style="list-style-type: none">• After changing this setting, reboot the printer.

[System Settings]

The [System Settings] menu allows you to set basic printer behaviors.

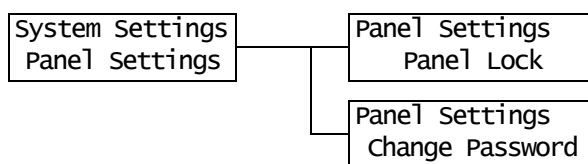
[Audio Tones]

Sets the audio tones that indicate various printer conditions such as errors.



Setting Item	Description
Control Panel	Sets whether or not to generate an audio tone when the correct button is pressed on the control panel. <ul style="list-style-type: none"> • [On] (default) • [Off]
Invalid Key	Sets whether or not to generate an audio tone when the wrong button is pressed on the control panel, or when an operation is attempted during an error. <ul style="list-style-type: none"> • [On] (default) • [Off]
Machine Ready	Sets whether or not to generate an audio tone to inform you that the printer is ready to print (such as right after powering on). <ul style="list-style-type: none"> • [On] (default) • [Off]
Job Complete	Sets whether or not to generate an audio tone when a job finishes successfully. <ul style="list-style-type: none"> • [On] (default) • [Off]
Fault Tone	Sets whether or not to generate an audio tone when a job finishes abnormally. <ul style="list-style-type: none"> • [On] (default) • [Off]
Alert Tone	Sets whether or not to generate an audio tone when a fault (such as a paper jam) occurs and a job is held in a fault state. <ul style="list-style-type: none"> • [On] (default) • [Off]
Out of Paper	Sets whether or not to generate an audio tone when the printer runs out of paper and a job is held in a fault state. <ul style="list-style-type: none"> • [On] (default) • [Off]
Low Toner Alert	Sets whether or not to generate an audio tone when the drum cartridge or a toner cartridge needs to be replaced. <ul style="list-style-type: none"> • [On] (default) • [Off]
Base Tone	Sets whether or not to generate an audio tone when a button, which toggles between different options when pressed repeatedly, is pressed. <ul style="list-style-type: none"> • [On] • [Off] (default)

[Panel Settings]

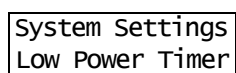


Setting Item	Description
Panel Lock	Sets a password to control access to the menus. <ul style="list-style-type: none"> • [Off] (default) • [On]
Change Password	Allows you to change the password. Enter a new password (4-digit number). The password takes effect when the first and second entries match. (default: [0000]) <p>Note</p> <ul style="list-style-type: none"> • [Change Password] is valid only if [Panel Lock] is set to [On]. • If the first and second entries do not match, your new password will not be accepted.

Note

- If you have forgotten the password, switch the printer off and restore the password to the default.
 - 1) Switch the printer on while holding down the <Menu> button. Keep holding down the button until "Reset Password. Reset?" appears on the control panel.
 - 2) Release the <Menu> button and press the <Eject/Set> button.
 - 3) Press the <◀> button to select [Yes], and then press the <Eject/Set> button. The password is restored to the default.

[Low Power Timer]



Setting Item	Description
Low Power Timer	Sets the amount of time before the printer enters the Low Power mode. Specify the value in 1 minute increments. (See *2 on P. 131.) <ul style="list-style-type: none"> • [1 Minutes] to [60 Minutes] (default: [3 Minutes]) <p>Refer to</p> <ul style="list-style-type: none"> • "2.4 Setting/Exiting the Power Saver Modes" (P. 40) • "Setting Example: Changing the Power Saver Mode Setting" (P. 93)

[Sleep Mode]

Note

- This item does not appear on the model available in China. The Sleep mode cannot be disabled on the Chinese model.

System Settings Sleep Mode

Setting Item	Description
Sleep Mode	Consumes less electricity than the Low Power mode. Set whether or not to enable this feature. <ul style="list-style-type: none">• [Enable] (default)• [Disable] Refer to <ul style="list-style-type: none">• "2.4 Setting/Exiting the Power Saver Modes" (P. 40)• "Setting Example: Changing the Power Saver Mode Setting" (P. 93)

[Sleep Mode Timer]

System Settings Sleep Mode Timer

Setting Item	Description
Sleep Mode Timer	Sets the amount of time before the printer enters the Sleep mode from the Low Power mode. Specify the value in 1 minute increments. (See *2 on P. 131.) <ul style="list-style-type: none">• [1 Minutes] to [120 Minutes] (default: [5 Minutes]) Note <ul style="list-style-type: none">• This setting is valid only if [Sleep Mode] is set to [Enable]. Refer to <ul style="list-style-type: none">• "2.4 Setting/Exiting the Power Saver Modes" (P. 40)• "Setting Example: Changing the Power Saver Mode Setting" (P. 93)

[Time-out]

System Settings Time-out

Setting Item	Description
Time-out	Sets the amount of time the printer waits for a print job. If a time-out occurs during data reception, the printer stops the reception and prints the data that has been received. Specify the time-out value in 1 second increments. <ul style="list-style-type: none">• [Off] Disables the time-out function.• [5 Seconds] to [300 Seconds] (default: [30 Seconds])

[Auto Job History]

System Settings
AutoJob History

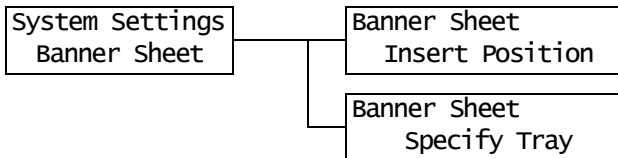
Setting Item	Description
Auto Job History	Sets whether to automatically print a report on the completed print jobs. ([Job History Report]). <ul style="list-style-type: none">• [Off] (default) Does not automatically print the [Job History Report].• [On] Automatically prints the [Job History Report] when the number of jobs processed reaches 22.

[2 Sided Report]

System Settings
2 Sided Report

Setting Item	Description
2 Sided Report	Sets whether to print the reports/lists 1-sided or 2-sided. <ul style="list-style-type: none">• [1 Sided] (default)• [2 Sided] <p>Note</p> <ul style="list-style-type: none">• On the DocuPrint C3055, [2 Sided Report] appears only when the duplex unit (optional) is installed.

[Banner Sheet]



Setting Item	Description
Insert Position	Sets whether to insert banner sheets. <ul style="list-style-type: none">• [Off] (default) Does not insert banner sheets.• [Start Sheet] Inserts a banner sheet at the beginning of a document.• [End Sheet] Inserts a banner sheet at the end of a document.• [Start & End] Inserts banner sheets at the beginning and end of a document.
Specify Tray	Sets the paper tray to be used for printing banner sheets. <ul style="list-style-type: none">• [Tray 1] to [Bypass Tray] (default: [Tray 1]) <p>Note</p> <ul style="list-style-type: none">• [Specify Tray] displays only the names of the trays installed on the printer.

[mm/inch]

System Settings
mm/inch

Setting Item	Description
mm/inch	Sets the unit of measure for length that will be displayed or entered on the control panel. <ul style="list-style-type: none">• [Millimeters (mm)] (default) Indicates length in millimeters (mm).• [Inch (")] Indicates length in inches (").

[Print Auditron]

System Settings
Print Auditron

Setting Item	Description
Print Auditron	Sets whether or not to enable the Print Auditron feature. <ul style="list-style-type: none">• [Off] (default)• [On] <p>Note</p> <ul style="list-style-type: none">• After changing this setting, reboot the printer. <p>Refer to</p> <ul style="list-style-type: none">• "7.8 Authentication and Auditron Administration Features" (P. 188)

[Scanner]

Note

- The scanner is not available in some countries. Contact your dealers for details.

System Settings
Scanner

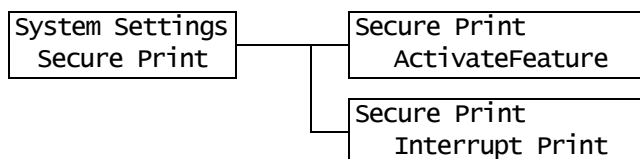
Scanner
Interrupt Print

Setting Item	Description
Interrupt Print	Sets whether to give priority to a job received from the scanner over other jobs. <ul style="list-style-type: none">• [Off]• [On] (default)

[Secure Print]

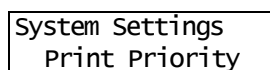
Note

- [Secure Print] appears only when the hard disk (optional) is installed.



Setting Item	Description
Activate Feature	<p>Sets whether to permit printing of Secure/Sample Print jobs from the control panel.</p> <ul style="list-style-type: none"> • [Enable] (default) Permits users to print Secure/Sample Print jobs from the control panel. • [Disable] Does not permit users to print Secure/Sample Print jobs from the control panel.
Interrupt Print	<p>Sets whether to give priority to a Secure/Sample Print job over other jobs.</p> <ul style="list-style-type: none"> • [On] (default) Suspends the print job that is currently being printed and prints a Secure/Sample Print job. • [Off] Prints a Secure/Sample Print job after the print job being printed. <p>Note</p> <ul style="list-style-type: none"> • [Interrupt Print] appears only when [Activate Feature] is set to [Enable].

[Print Priority]



Setting Item	Description
Print Priority	<p>Sets the print priority condition for Secure/Sample Print jobs. This setting is valid only if [Interrupt Print] is set to [On].</p> <ul style="list-style-type: none"> • [Disable] (default) Does not limit the number of pages of Secure/Sample Print jobs that can be stored in the memory and gives them priority over other jobs. Interrupt printing will not be performed unless the printer has sufficient memory to store interrupt print jobs. • [Enable] Limits the number pages of Secure/Sample Print jobs that can be stored in the memory to 3 pages to minimize the time used for interrupt printing.

[Printer Settings]

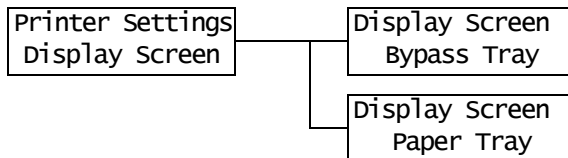
The [Printer Settings] menu allows you to set paper trays and the Auto Tray Selection feature.

[Substitute Tray]

Printer Settings
Substitute Tray

Setting Item	Description
Substitute Tray	<p>Sets whether to switch to another paper tray if the paper tray selected by Auto Tray Selection runs out of paper. If using this feature, set the paper size for the substitute tray.</p> <ul style="list-style-type: none"> • [Off] (default) Does not substitute the tray, and displays a message asking to load paper into the paper tray. • [Larger Size] Switches to another paper tray that contains the paper that is one size larger than the size requested, and prints documents at 100% zoom ratio. • [Closest Size] Switches to another paper tray that contains the paper of the size closest to the size requested, and prints documents at a reduced zoom ratio if necessary. • [Bypass Feed] Switches to the bypass tray and prints documents on the paper loaded in the bypass tray. <p>Note</p> <ul style="list-style-type: none"> • These settings will be overridden by requests sent from computers.

[Display Screen]



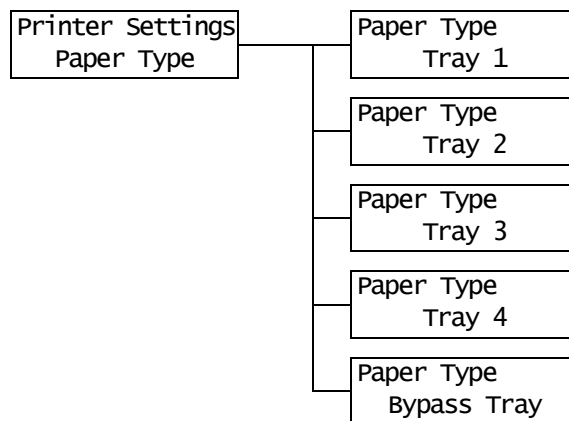
Setting Item	Description
Bypass Tray	<p>Sets whether to display a screen to prompt for a paper type every time paper is loaded in the bypass tray.</p> <ul style="list-style-type: none"> • [No] • [Yes] (default)
Paper Tray	<p>Sets whether to display a screen to prompt for a paper type every time paper is loaded in the paper trays.</p> <ul style="list-style-type: none"> • [No] (default) • [Yes]

[Bypass Mode]

Printer Settings Bypass Mode

Setting Item	Description
Bypass Mode	<p>Sets how to specify a paper size and type for the bypass tray.</p> <ul style="list-style-type: none"> [Panel Specified] Allows users to specify a paper size and type on the control panel. Documents will be printed only when the values specified on your print driver and those on the control panel match. [Driver Specified] (default) Does not allow users to specify a paper size or type on the control panel. A document is printed based on the paper size and type specified on your print driver.

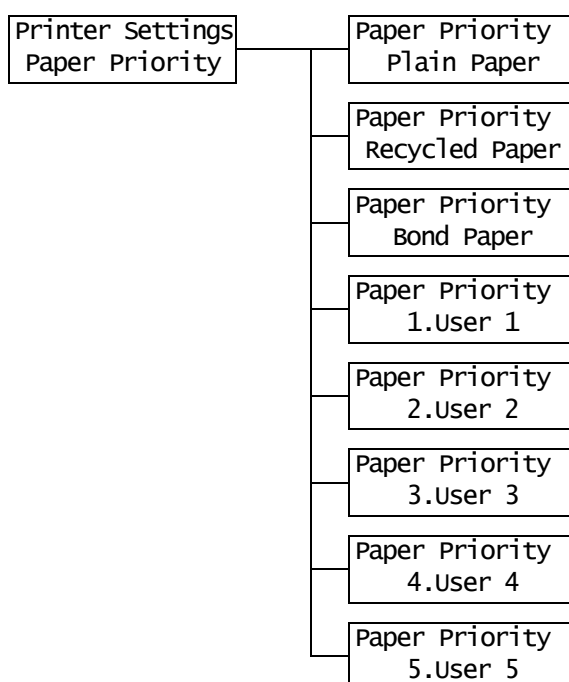
[Paper Type]



Setting Item	Description
Tray 1	<p>Sets the type of the paper loaded in the tray 1.</p> <ul style="list-style-type: none"> [Plain Paper] (default), [Recycled Paper], [Bond Paper], [Transparency], [Heavyweight 1], [Heavyweight 2], [Labels], [1. User 1] - [5. User 5] <p>Note</p> <ul style="list-style-type: none"> The display only shows the trays that are actually installed on the printer. [1. User 1] to [5. User 5] display the names you specified under [Paper Name].
Tray 2 to Tray 4	<p>Sets the types of the paper loaded in the trays 2 to 4.</p> <ul style="list-style-type: none"> [Plain Paper] (default), [Recycled Paper], [Bond Paper], [Transparency], [Heavyweight 1], [Labels], [1. User 1] - [5. User 5] <p>Note</p> <ul style="list-style-type: none"> The display only shows the trays that are actually installed on the printer. [1. User 1] to [5. User 5] display the names you specified under [Paper Name].

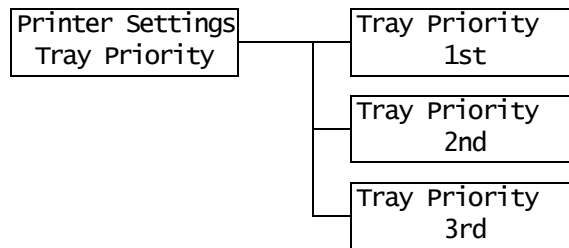
Setting Item	Description
Bypass Tray	<p>Sets the type of the paper loaded in the bypass tray.</p> <ul style="list-style-type: none"> [Plain Paper] (default), [Recycled Paper], [Bond Paper], [Transparency], [Heavyweight 1], [Heavyweight 2], [Labels], [Coated 1] to [Coated 3], [Envelope], [Postcard], [Plain S2], [Recycled S2], [Bond S2], [Heavyweight 1 S2], [Heavyweight 2 S2], [Coated 1 S2] - [Coated 3 S2], [Postcard S2], [1. User 1] - [5. User 5] <p>Note</p> <ul style="list-style-type: none"> [Bypass Tray] appears only when [Bypass Mode] is set to [Panel Specified]. [1. User 1] to [5. User 5] display the names specified under [Paper Name].

[Paper Priority]



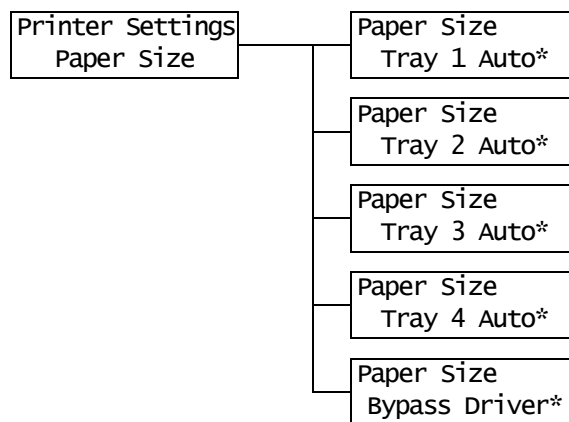
Setting Item	Description
Plain Paper, Recycled Paper, Bond Paper, User 1 to User 5	<p>Sets the priority order of paper types. This setting will be used by the Auto Tray Selection feature. By default, [Plain Paper] is set to [1], [Recycled Paper] is set to [2], [Bond Paper] is set to [3], and the other paper types are set to [Off].</p> <ul style="list-style-type: none"> [1] to [8] Sets the priority order of paper types. [Off] Does not set the priority order of paper types. <p>Note</p> <ul style="list-style-type: none"> [1. User 1] to [5. User 5] display the names specified under [Paper Name]. You can assign the same priority order to different paper types. In such case, the printer selects a tray based on the [Tray Priority] setting. <p>Refer to</p> <ul style="list-style-type: none"> " Auto Tray Selection Feature" (P. 89)

[Tray Priority]



Setting Item	Description
1st to 3rd	<p>Sets the priority order of the paper trays. This setting will be used by the Auto Tray Selection feature. You cannot assign a priority order to the bypass tray.</p> <ul style="list-style-type: none"> [Tray 1] to [Tray 4] <p>Sets the priority order of the paper trays. By default, the priority order of the trays are: tray 1, tray 2, tray 3, and tray 4.</p> <p>Note</p> <ul style="list-style-type: none"> You cannot assign the same priority to more than one tray. The [2nd] tray must be a tray other than the [1st] tray, and the [3rd] tray must be a tray other than the [1st] and [2nd] trays. The remaining tray will be the [4th] tray. [Tray Priority] appears only when the optional sheet feeders are installed.

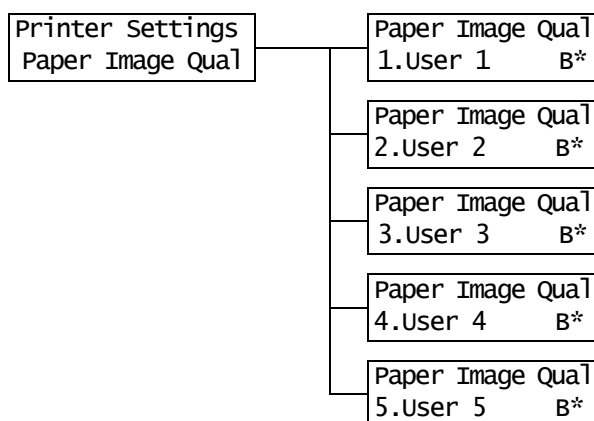
[Paper Size]



Setting Item	Description
[Tray 1] to [Tray 4]	<p>Sets the paper size of the paper loaded in each paper tray.</p> <ul style="list-style-type: none"> [Auto] (default) Automatically senses the paper size. [Custom] Sets the length and width of the paper. When [Custom] is selected, set the orientation of the paper to [Portrait (Y)] or [Landscape (X)]. <p>Note</p> <ul style="list-style-type: none"> The display only shows the trays that are actually installed on the printer. For details on how to set custom sizes, refer to "Setting the Paper Sizes of the Trays 1 - 4" (P. 87).

Setting Item	Description
Bypass	<p>Sets the paper size for the bypass tray.</p> <ul style="list-style-type: none"> [A3], [B4], [A4-P], [A4-L], [Driver] (default), [B5], [A5], [11x17], [8.5x13], [8.5x14], [7.2x10.5], [8.5x11-P], [8.5x11-L], [4.1x9.5], [3.9x7.5], [110x220mm], [162x229mm], [100x148mm], [148x200mm], [120x235mm], [Younaga3], [114x162mm], [98x148mm], [105x235mm] [Custom] Sets the length and width of the paper loaded in the bypass tray. When [Custom] is selected, set the print orientation to [Portrait (Y)] or [Landscape (X)]. <p>Note</p> <ul style="list-style-type: none"> For details on how to set custom paper sizes, refer to "Setting the Paper Sizes of the Trays 1 - 4" (P. 87).

[Paper Image Qual]

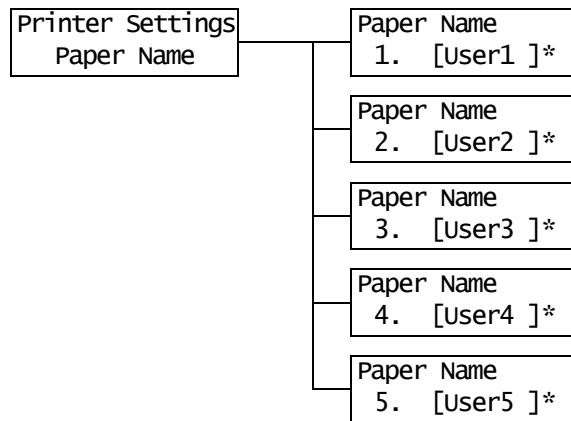


Setting Item	Description
[1. User 1] to [5. User 5]	<p>Sets the paper image quality (paper type) for [1. User 1] to [5. User 5].</p> <ul style="list-style-type: none"> [B] Sets the paper type to plain paper. [C] Sets the paper type to recycled paper. [S] Not in use [T] Not in use [A] Sets the paper type to bond paper. <p>Note</p> <ul style="list-style-type: none"> [1. User 1] to [5. User 5] display the names specified under [Paper Name].

Note

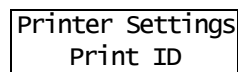
- For example, if using blue plain paper, set [Paper Name] > [1. User 1] to [Plain Blue], and [Paper Image Qual] > [Plain Blue] to [B]. With the above settings, the priority of blue plain paper is not the priority set under [Paper Priority] > [Plain Paper], but [Paper Priority] > [Plain Blue].

[Paper Name]



Setting Item	Description
[1. User 1] to [5. User 5]	Sets the names for [1. User 1] to [5. User 5] that are displayed under [Paper Priority], [Paper Type], and [Paper Image Qual]. Up to 8 alphanumeric characters can be used for a name. (See *2 and *4 No 1, 2, 3 on P. 131.)

[Print ID]



Setting Item	Description
Print ID	Prints a user ID on the specified location. <ul style="list-style-type: none"> • [Off] (default) Does not print a user ID. • [Top Left] Prints a user ID on the top left corner of paper. • [Top Right] Prints a user ID on the top right corner of paper. • [Bottom Left] Prints a user ID on the bottom left corner of paper. • [Bottom Right] Prints a user ID on the bottom right corner of paper.

[Default Paper Size]

Printer Settings
DefaultPaperSize

Setting Item	Description
Default Paper Size	Sets the default of [Paper Size] for the PDF print mode. <ul style="list-style-type: none">• [A4] (default)• [8.5 x 11]

[Size Conflict]

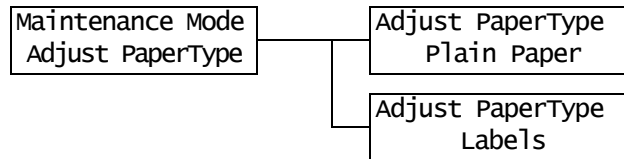
Printer Settings
Size Conflict

Setting Item	Description
Size Conflict	Sets the action to be taken if the specified output size does not match the size of the paper loaded in the requested paper tray. <ul style="list-style-type: none">• [Force Print] (default) Force-prints a job using the requested paper tray.• [Check Paper Size] Prompts you to load paper of the size you specified.

[Maintenance Mode]

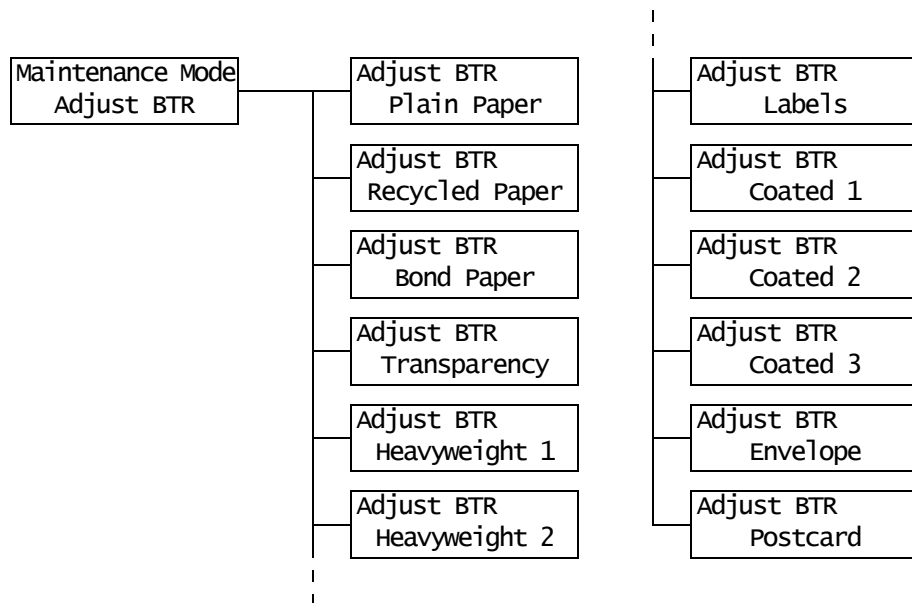
The [Maintenance Mode] menu allows you to perform maintenance tasks.

[Adjust Paper Type]



Setting Item	Description
Plain Paper	Sets the type of plain paper. <ul style="list-style-type: none"> • [Light] • [Heavy] (default)
Labels	Sets the type of labels. <ul style="list-style-type: none"> • [Labels 1] • [Labels 2] (default)

[Adjust BTR]

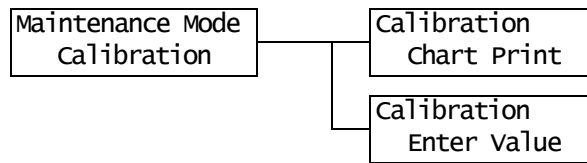


Setting Item	Description
Plain Paper, Recycled Paper, Bond Paper, Transparency, Heavyweight 1, Heavyweight 2, Labels, Coated 1, Coated 2, Coated 3, Envelope, Postcard	If you often experience the following problems, adjust the image transfer voltage: <ul style="list-style-type: none"> - White patches appear on images - Toner scatters around images - Overall images are bluish • [-30] to [30] (default: [0])

[Calibration]

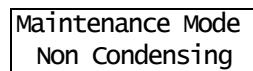
If colors look off after relocating the printer, or after replacing the drum cartridge, print the Calibration Chart to perform color calibration.

For details on color calibration, refer to "7.9 Adjusting Color Density" (P. 194).



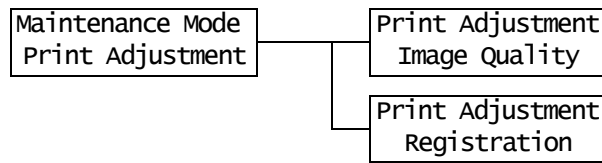
Setting Item	Description
Chart Print	Prints the Calibration Chart when the <Eject/Set> button is pressed.
Enter Value	Adjusts the density of cyan (C), magenta (M), yellow (Y), and black (K). <ul style="list-style-type: none">• [-6] to [6] (default: [0])

[Non Condensing]



Setting Item	Description
Non Condensing	Sets whether to enable the Non-condensing mode to avoid dew condensation. <ul style="list-style-type: none">• [Disable] (default)• [Enable] Refer to <ul style="list-style-type: none">• "6.8 Non-condensing Mode" (P. 159)

[Print Adjustment]



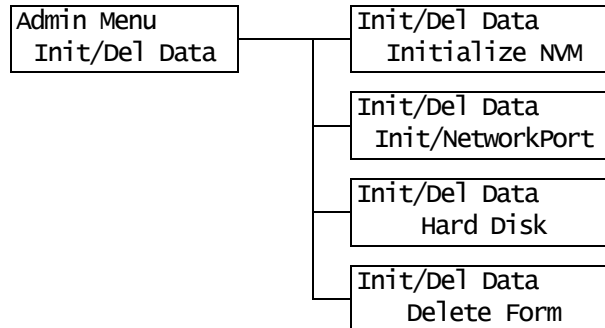
Setting Item	Description
Image Quality	If you print a monochrome page after a color page, the image on the color page can get printed on the monochrome page. Setting this feature to [On] prevents such problem, but prints at a slower print speed. <ul style="list-style-type: none">• [Off] (default)• [On]
Registration	Sets the printing method of documents that contain both color and monochrome pages. <ul style="list-style-type: none">• [On] (default) Prevents misregistration of colors but prints at a slower print speed.• [Off] Prioritizes print speed over the prevention of color misregistration.

[Init/Del Data]

The [Init/Del Data] menu allows you to initialize the settings stored in the NV memory, network ports, and hard disk, and delete data such as forms registered on the printer.

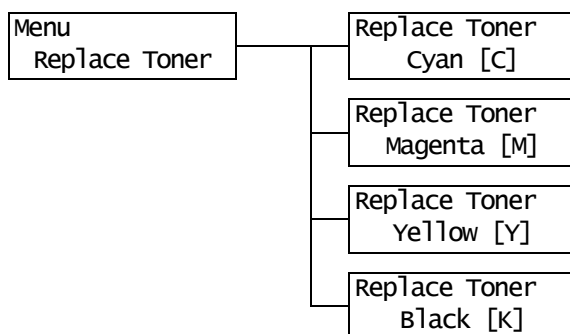
Note

- Executing initialization returns the settings to their default values.



Setting Item	Description
Initialize NVM	Initializes the NV memory. All settings return to the defaults. Note <ul style="list-style-type: none">• The NV memory is nonvolatile memory that retains the settings of the printer even when its power is switched off.• After changing this setting, reboot the printer.
Init/Network Port	Initializes the network/port settings (P. 99). Note <ul style="list-style-type: none">• After changing this setting, reboot the printer.
Hard Disk	Initializes the hard disk. Note <ul style="list-style-type: none">• After changing this setting, reboot the printer.• [Hard Disk] appears only when the hard disk (optional) is installed.
Delete Form	Deletes the ESC/P forms registered on the printer. <ul style="list-style-type: none">• [Delete ESCP Form] Note <ul style="list-style-type: none">• [Not registered] is displayed if no form is registered.

[Replace Toner]



Setting Item	Description
Cyan [C], Magenta [M], Yellow [Y] Black [K]	Moves a toner cartridge to the replacement position. Refer to • "Replacing the Toner Cartridges" (P. 164)

*1 When [Auto] is selected, data will be deleted if the print language automatically selected is not present or is unavailable on the printer.

*2 Holding down the <▲> or <▼> button scrolls through the options in a circular fashion. Pressing the <▲> and <▼> buttons simultaneously displays the default values.

*3 The following information is printed in each line during dump printing:

Count	Prints the total number of bytes counted from the beginning of data.
Hexadecimal code	Prints data every 4 bytes in hexadecimal format
ASCII code	Prints data using JIS X 0201 8-bit coded characters. Characters that are not defined in JIS X 0201 are printed as "UD".

*4 Character List

No.	Type	Characters
1	Blank	Space
2	Alphabets	ABCDEFGHIJKLMNOPQRSTUVWXYZabcdefghijklmnopqrstuvwxyz
3	Numerals	0123456789
4	Symbols	!"#\$%&'()*+,-./:;<=>?@[\\]^_`

6 Troubleshooting

If you encounter a problem while using this printer and have trouble solving the problem, see if any of the symptoms in the following pages matches your problem.

If your problem is described in the following pages, apply the suggested solution provided for the problem.

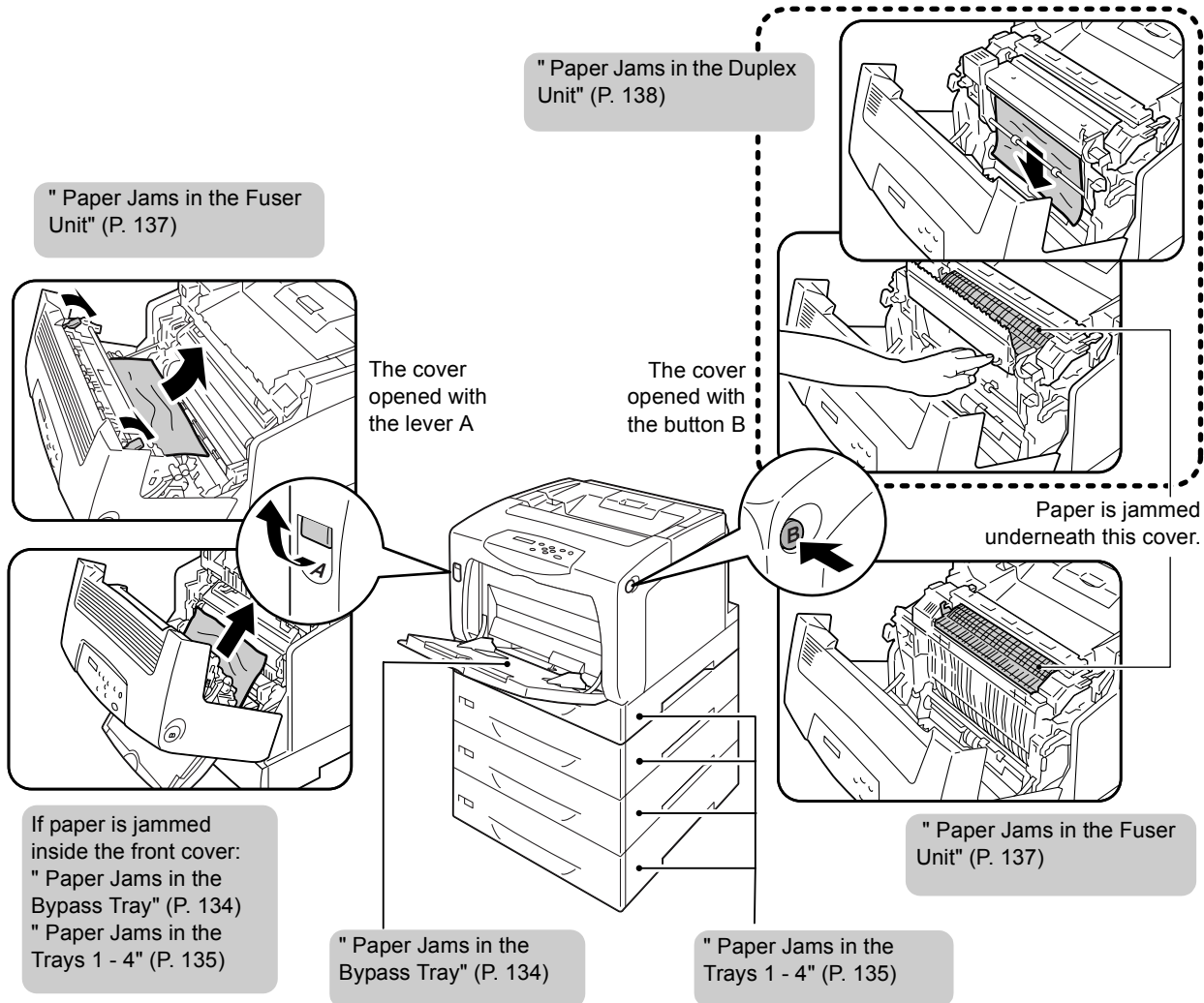
If your problem is not described, or could not be solved with the suggested solution, contact our Customer Support Center or your dealers.

6.1 Clearing Paper Jams

When a sheet of paper jams inside the printer, the control panel displays an error message. Follow the instructions in the message to open the appropriate cover and identify the jammed area.

Before opening the front cover, make sure to remove paper from the bypass tray (if any paper is loaded) and close the bypass tray cover. Then, remove the jammed paper according to the procedure provided for each jammed area.

See the following diagram for the reference pages to the jam clearance procedures.



⚠ CAUTION

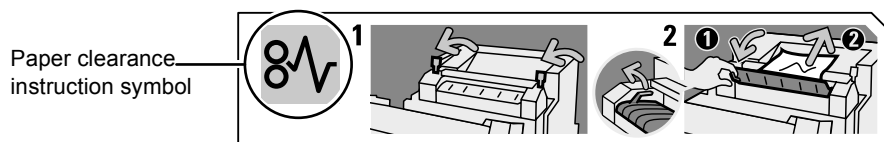
- When removing jammed paper, make sure that no pieces of torn paper are left in the machine. A piece of paper remaining in the machine can cause fire. If a sheet of paper is wrapped around the heat roller, or when clearing a jammed paper that is difficult or impossible to see, do not try to remove it by yourself. Doing so can cause injuries or burns. Switch off the machine immediately, and contact our Customer Support Center or your dealers.
 - Never touch a labelled area found on or near the fuser unit. You can get burnt. If a sheet of paper is wrapped around the heat roller, do not try to remove it by yourself to avoid injuries or burns. Switch off the machine immediately, and contact our Customer Support Center or your dealers.
-

Important

- Before opening the front cover or pulling out the paper trays, remove paper from the bypass tray (if any paper is loaded) and close the bypass tray cover.
- Be careful not to pinch your fingers when closing a cover after removing jammed paper.
- If the printer is connected to a scanner (associated product) and installed using a scanner stand (associated product), move the printer at least 200 mm away from the scanner stand to clear paper jams. For more information, refer to "A.5 Connecting the Printer to a Scanner (Associated Product)" (P. 220).

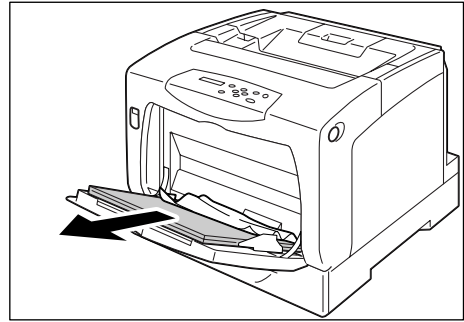
Note

- The labels with the following symbol provide jam clearance procedure. Use the labels also as guides when clearing paper jams.



Paper Jams in the Bypass Tray

1. Leave the jammed paper where it is and remove the rest of the paper from the bypass tray.

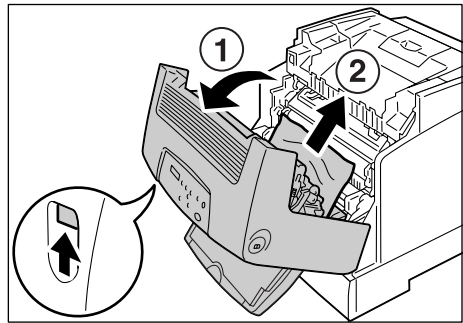


2. Push up the lever A and open the front cover.

Important

- When opening the front cover with the bypass tray cover opened, be careful not to get your fingers caught between (the left or right edge of) the bypass tray cover and the front cover.

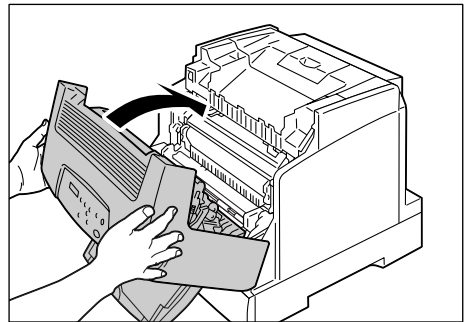
3. Remove the jammed paper.



4. Close the front cover.

Important

- When closing the front cover, be careful not to get your fingers caught between (the left, right, top, or bottom edge of) the cover and the printer.



Paper Jams in the Trays 1 - 4

1. If paper is loaded in the bypass tray, remove the paper and close the bypass tray cover.

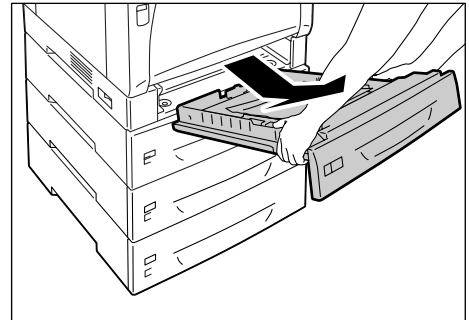
Important

- When closing the bypass tray cover, be careful not to get your fingers caught between (the left or right edge of) the cover and the printer.

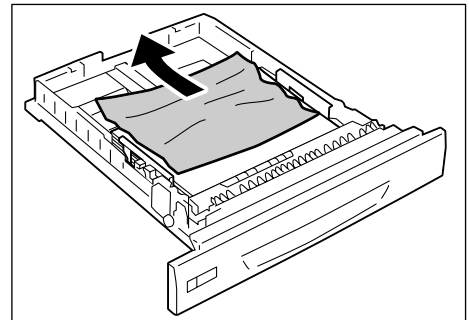
2. Gently pull the tray out of the printer.
If sheet feeders are installed, check each tray, starting from the bottom one to the top one.

Important

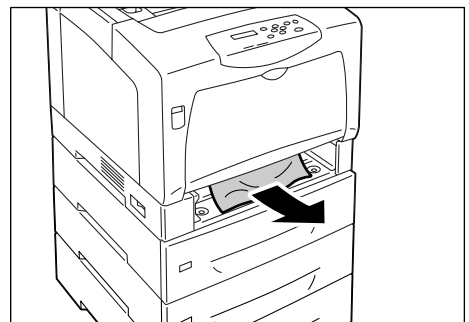
- Paper is fed into the printer via the front side of the tray. If paper is jammed in this area, you may not be able to pull out the tray unless you remove the trays below it.
- Do not pull out more than one tray at a time.



3. Remove the jammed paper and any paper that is wrinkled.



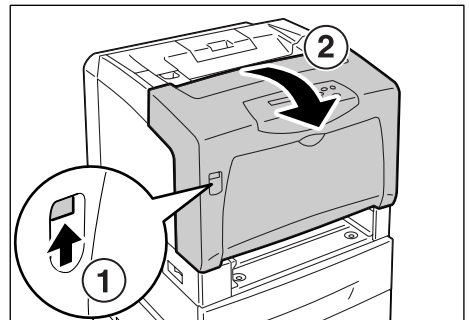
4. If paper is jammed in the printer, gently remove the paper carefully without tearing.



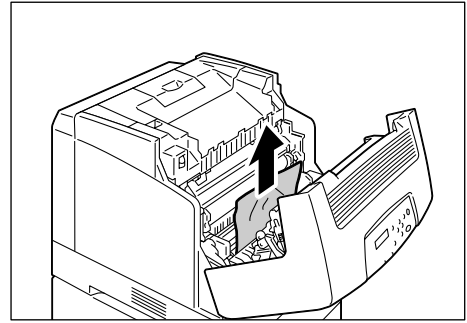
5. Push up the lever A and open the front cover.

Important

- Open the front cover even when there is no jammed paper in the printer. The error will not clear unless you open and close the front cover.



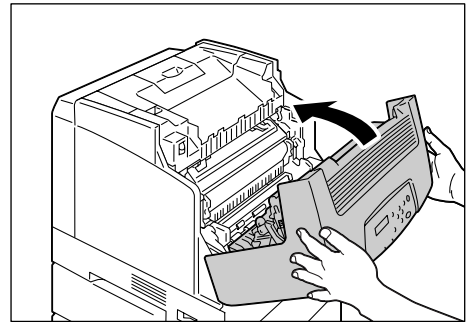
6. Remove any jammed paper. Make sure no torn pieces remain inside.



7. Close the front cover.

Important

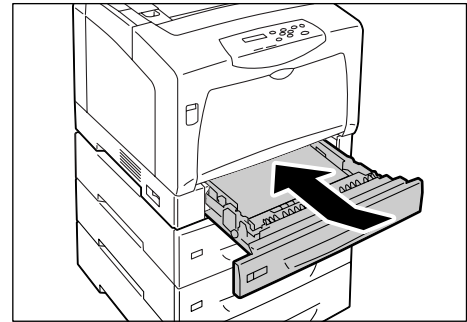
- When closing the front cover, be careful not to get your fingers caught between (the left, right, top, or bottom edge of) the cover and the printer.



8. Push the tray all the way into the printer.

Important

- When inserting the tray, be careful not to get your fingers caught between the tray and the printer or another tray (if the optional sheet feeders are installed).

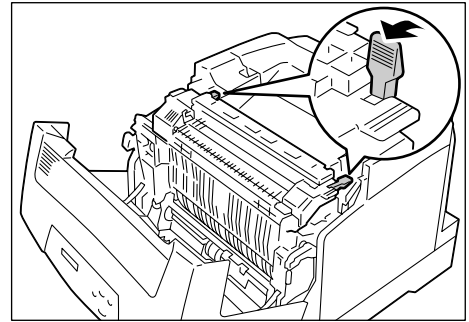


Paper Jams in the Fuser Unit

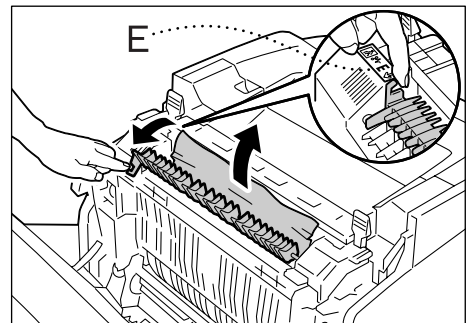
1. Lift up the levers on both sides of the fuser unit.

Important

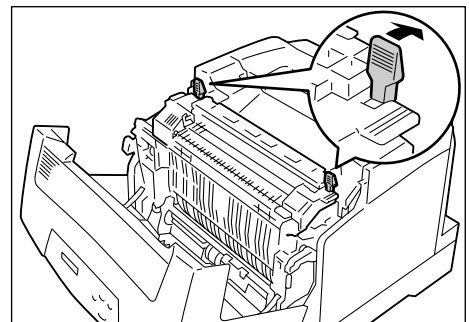
- The fuser is hot. Do not touch any parts other than the levers. Otherwise, you can get burnt.



2. Hold the lever E on the left side of the fuser cover and open the fuser cover. While holding the cover open, use your other hand to remove the jammed paper.



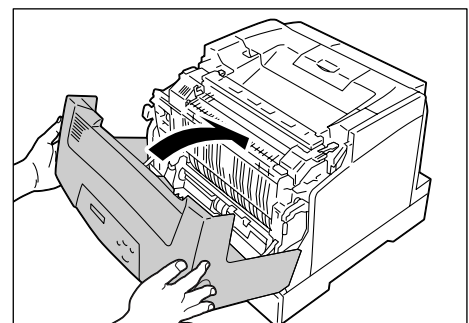
3. Place the levers on both sides of the fuser unit to their original positions.



4. Close the front cover.

Important

- When closing the front cover, be careful not to get your fingers caught between (the left, right, top, or bottom edge of) the cover and the printer.

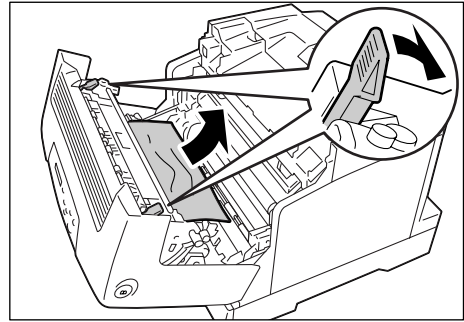


Paper Jams Behind the Fuser Unit

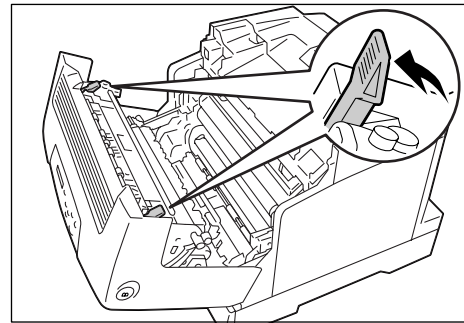
1. Push down the levers on both sides of the fuser unit toward the back of the printer, and remove the jammed paper.

Important

- The fuser is hot. Do not touch any parts other than the levers. Otherwise, you can get burnt.
- When removing the jammed paper, do not touch the intermediate transfer belt. Scratches, dirt, or oil from your hands can reduce print quality.



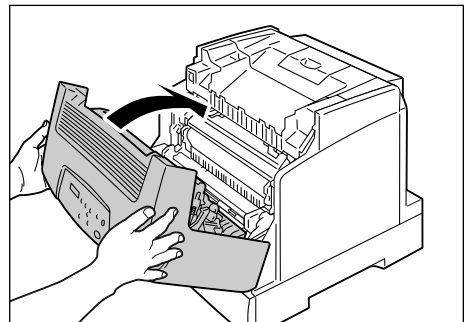
2. Place the levers on both sides of the fuser unit to their original positions.



3. Close the front cover.

Important

- When closing the front cover, be careful not to get your fingers caught between (the left, right, top, or bottom edge of) the cover and the printer.

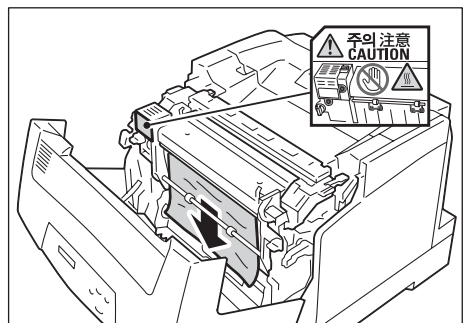


Paper Jams in the Duplex Unit

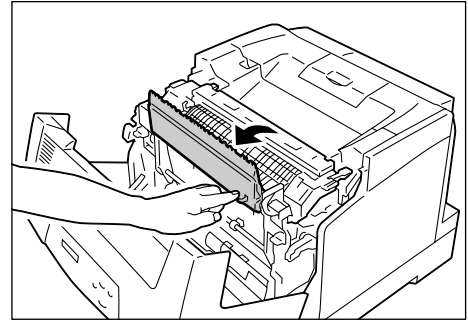
1. Remove the jammed paper.

Important

- Some areas on the duplex unit is hot. Do not touch the area with the "CAUTION" label on the top left. Otherwise, you can get burnt.



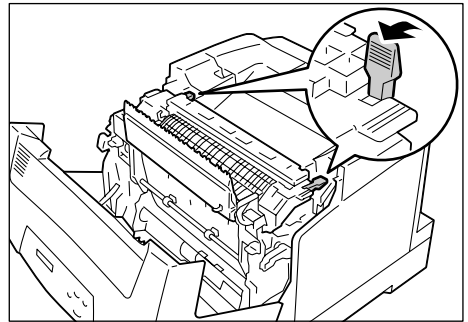
2. If paper is jammed inside the fuser unit, hold the projection on its right side and open the duplex unit cover.



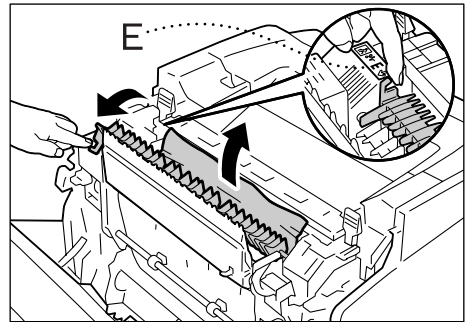
3. Lift up the levers on both sides of the fuser unit.

Important

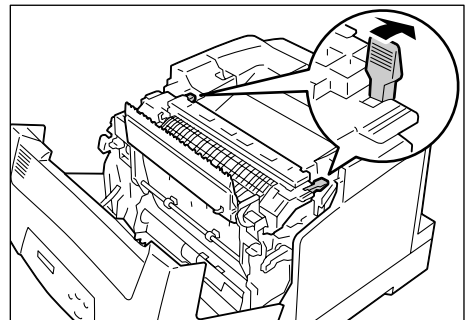
- The fuser unit is hot. Do not touch it or you will get burnt.



4. Hold the lever E on the left side of the fuser cover and open the fuser cover. While holding the cover open, use your other hand to remove the jammed paper.



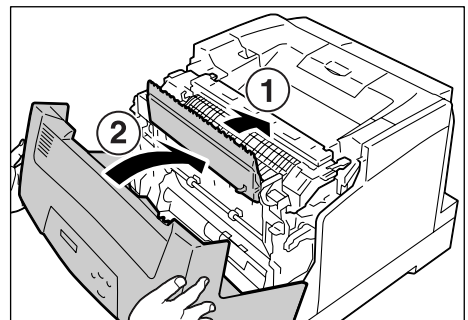
5. Place the levers on both sides of the duplex unit to their original positions.



6. Close the duplex unit and then the front cover.

Important

- When closing the front cover, be careful not to get your fingers caught between (the left, right, top, or bottom edge of) the cover and the printer.



6.2 Hardware Problems (Power Failure, Abnormal Noise, etc.)

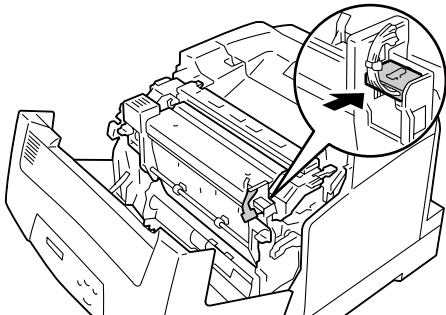
WARNING

- Never open or remove machine covers that are secured with screws unless specifically instructed in the related manuals. A high voltage component can cause electric shocks.
- Do not try to alter the machine configuration, or modify any parts. An unauthorized modification can cause smoke or fire.


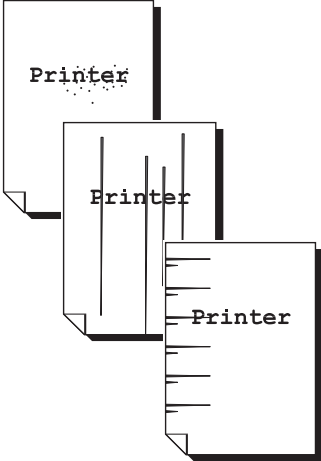
Symptom	Cause/Remedy
The printer will not switch on.	Is the power switched on? Switch the power on by pressing the power switch to the < > position.
	Is the power cord firmly plugged into the power outlet? Switch the power off, plug the power cord firmly into the power connector or power outlet, and switch the power back on.
	Is the printer plugged into a power outlet that supplies proper voltage? Connect the printer to a power outlet that supplies the proper rated voltage or current. And do not share the power outlet with other devices.
The display is blank.	The printer may be in the Power Saver mode. Press the <Power Saver> button on the control panel to exit the Power Saver mode. If this does not remedy the problem, check if the power cord is firmly plugged into the power outlet, and reboot the printer. If the problem still persists, the printer may be at fault. Contact our Customer Support Center or your dealers.
The printer makes odd noise.	Is the printer installed on a level surface? Move the printer on a level and sturdy surface.
	Are the paper trays pushed in completely? Push the trays firmly into the printer.
	A foreign object may be in the printer. Switch the power off and remove the object. If the object cannot be removed without dismantling the printer, contact our Customer Support Center or your dealers.
Dew condensation formed in the printer.	On the control panel, set the interval that the printer switches to the Sleep mode to more than one hour, and let the printer stand with its power on. After about an hour, the condensation disappears due to the heat inside the printer. If dew condensation forms frequently, set [Non Condensing] to [Enable] on the control panel. Refer to • Sleep mode: [System Settings] (P. 113). • [Non Condensing]: "6.8 Non-condensing Mode" (P. 159).
The printer does not switch to the Sleep mode.	Isn't the Sleet mode disabled or the Non-condensing mode enabled? On the control panel, set [Non Condensing] to [Disable], and then set [Sleep Mode] to [Enable]. The [Sleep Mode] setting is not supported on the model available in China. Check the [Non Condensing] setting and make sure it is set to [Disable].

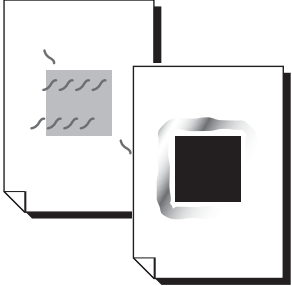


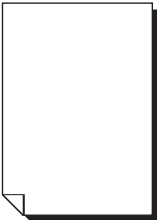
6.3 Printing Problems

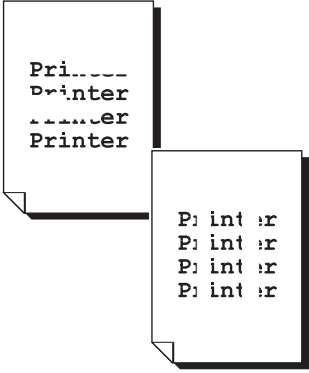
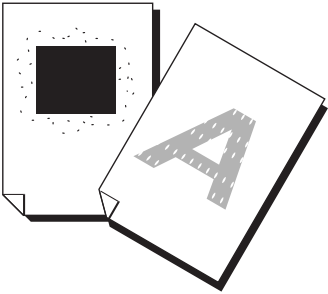

Symptom	Cause/Remedy
The <Error> lamp is blinking.	An error that cannot be resolved by users occurred. Copy down the error message or error code displayed on the control panel, switch the power off, unplug the power cord from the power outlet, and contact our Customer Support Center or your dealers.
The <Error> lamp is lit.	Is an error message displayed on the control panel? Follow the instructions in the message and clear the error.
Requested a print job, but the <Ready> lamp does not light or blink.	Is the interface cable firmly plugged in? Switch the power off, and check if the interface cable is firmly plugged in.
	Is the printer in the offline or menu state? If the printer is offline, press the <Online> button to switch it to online. If the menu screen is displayed, press the <Menu> button to exit the menu screen.
	Are the protocols set correctly? Check if the ports to be used are enabled and the protocols are set correctly on CentreWare Internet Services. Refer to <ul style="list-style-type: none"> • "[Network/Port]" (P. 99) • Online help for CentreWare Internet Services
	Is the operating environment of your computer set correctly? Check the operating environment of your computer including the print driver.
The <Ready> lamp is lit or blinking, but the printer does not print.	The data is in the print buffer. Cancel or force-eject the job. If cancelling the job, press the <Cancel Job> button. If force-ejecting the job, press the <Eject/Set> button.
The printer will not print.	If your computer is connected to the printer via a parallel cable, does your computer support bi-directional communication? By default, the printer's bi-directional communication is set to [Enable]. If bi-directional communication is not supported by your computer, the printer will not print your job. If this is the case, disable the bi-directional communication on the control panel and try printing again. Refer to <ul style="list-style-type: none"> • "[Parallel]" (P. 99)
	If your printer is connected to a network, is the IP address of the printer set correctly? Or, is the data-reception control setting set correctly? Check the above settings and re-configure them if necessary. Refer to <ul style="list-style-type: none"> • "Setting the IP Address" (P. 24) • "Controlling Data Reception by IP Address" (P. 184)

Symptom	Cause/Remedy
Printing takes too much time.	Is the [Graphics] tab > [Print Mode] on your print driver set to [High Quality]? Changing the [Print Mode] setting to [Standard] may improve print speed. Refer to <ul style="list-style-type: none"> • Online help for the print driver
	Printing may take time depending on the printing method for TrueType fonts. Change the printing method under the [Detailed Settings] tab > [Font Settings] on your print driver. Refer to <ul style="list-style-type: none"> • Online help for the print driver
	When printing large data, or when it is taking too much time to print, enabling [Print Page Mode] on your print driver may improve print speed. To use [Print Page Mode], install additional memory to the printer. Refer to <ul style="list-style-type: none"> • Print Page Mode: Online help for the print driver
Image loss occurs in the upper portion of the page. Printing does not start from the desired position on the page.	Are the paper guides adjusted properly? Slide the paper guides to the correct positions. Refer to <ul style="list-style-type: none"> • "4.2 Loading Paper" (P. 81)
	Check whether the margins are set correctly on your print driver. Refer to <ul style="list-style-type: none"> • Online help for the print driver
Requested 2-sided printing, but the printer prints 1-sided.	The duplex unit may not be installed properly. Check if the connector cable of the duplex unit is plugged correctly into the printer. 

6.4 Print Quality Problems

Symptom	Cause/Remedy
<p>Output is too light. (faded or unclear)</p> 	<p>The paper is damp. Load fresh paper.</p> <p>The paper is not appropriate for the printer. Load appropriate paper.</p> <p>Refer to</p> <ul style="list-style-type: none"> • "Supported Paper" (P. 76) <p>The drum cartridge or the fuser unit is damaged or deteriorated. The drum cartridge or fuser unit may need replacement depending on its condition. Contact our Customer Support Center or your dealers.</p> <p>Is the toner save feature enabled? On the [Detailed Settings] tab on your print driver, clear the [Draft Mode] check box.</p> <p>Refer to</p> <ul style="list-style-type: none"> • Online help for the print driver. <p>Change the print density settings under the [Graphics] tab > [Image Settings] or [Color Balance] on your print driver and try printing again.</p> <p>Refer to</p> <ul style="list-style-type: none"> • Online help for the print driver. <p>Change the [Paper Type] setting and try printing again. For example, if [Paper Type] is set to [Plain Paper], try changing it to [Bond Paper] or [Recycled Paper]. If it is set to [Heavyweight 1], try changing it to [Heavyweight 2].</p>
<p>Color spots or color lines appear on output. Equally spaced smears appear on output.</p> 	<p>The paper path may not be clean. Print a couple of sheets or so to remove dirt from the paper path.</p> <p>The interior of the printer may not be clean. Clean the interior of the printer.</p> <p>Refer to</p> <ul style="list-style-type: none"> • "Cleaning the Interior" (P. 202). <p>The drum cartridge or fuser unit is damaged or deteriorated. The drum cartridge or fuser unit may need replacement depending on its condition. Contact our Customer Support Center or your dealers.</p>
<p>When a monochrome page is printed after a color page, the image on the color page gets printed on the monochrome page.</p>	<p>This problem may be improved if you set [Maintenance Mode] > [Print Adjustment] > [Image Quality] to [On] on the control panel.</p> <p>Refer to</p> <ul style="list-style-type: none"> • "[Print Adjustment]" (P. 129)

Symptom	Cause/Remedy
<p>Streaks appear inside or outside of halftone images. Shadow is printed around solid-filled images.</p> 	<p>The paper that had been stored unwrapped for an extended period of time (especially in low humidity condition) may be used. Load fresh paper.</p> <p>The paper is not appropriate for the printer. Load appropriate paper.</p> <p>Refer to</p> <ul style="list-style-type: none"> • "Supported Paper" (P. 76)
<p>Ink smudges off when rubbed with a finger. Toner is not fused to the paper. Output is smudged with toner.</p> 	<p>The paper type of the selected paper tray is not appropriate. Change the [Paper Type] setting and try printing again. For example, if [Paper Type] is set to [Plain Paper], try changing it to [Bond Paper] or [Recycled Paper]. If it is set to [Heavyweight 1], try changing it to [Heavyweight 2].</p> <p>The paper is damp. Load fresh paper.</p> <p>The paper is not appropriate for the printer. Load appropriate paper.</p> <p>Refer to</p> <ul style="list-style-type: none"> • "Supported Paper" (P. 76) <p>The fuser unit is damaged or deteriorated. The fuser unit may need replacement depending on its condition. Contact our Customer Support Center or your dealers.</p>
<p>The whole page is printed black.</p> 	<p>The drum cartridge is damaged or deteriorated. The drum cartridge may need replacement depending on its condition. Contact our Customer Support Center or your dealers.</p> <p>The high-voltage power supply may be at fault. Contact our Customer Support Center or your dealers.</p>
<p>Output is blank.</p> 	<p>Multiple sheets were fed at once. Fan the paper and reload it in the tray.</p> <p>The drum cartridge is damaged or deteriorated. The drum cartridge may need replacement depending on its condition. Contact our Customer Support Center or your dealers.</p> <p>The high-voltage power supply may be at fault. Contact our Customer Support Center or your dealers.</p>

Symptom	Cause/Remedy
<p>Output is partially blanked-out. Vertical white streaks appear on output.</p> 	<p>The paper is not appropriate for the printer. Load appropriate paper.</p> <p>Refer to</p> <ul style="list-style-type: none"> • "Supported Paper" (P. 76) <p>The paper is damp. Load fresh paper.</p> <p>The drum cartridge or transfer roll cartridge is not installed correctly. Correctly install the drum cartridge or transfer roll cartridge.</p> <p>The printer's interior may not be clean. Clean the interior of the printer.</p> <p>Refer to</p> <ul style="list-style-type: none"> • "Cleaning the Interior" (P. 202) <p>Dew condensation may have formed in the printer. On the control panel, set the interval that the printer switches to the Sleep mode to more than one hour, and let the printer stand with its power on. After about an hour, the condensation disappears due to the heat inside the printer. If dew condensation forms frequently, set [Non Condensing] to [Enable] on the control panel.</p> <p>Refer to</p> <ul style="list-style-type: none"> • Sleep mode: "[System Settings]" (P. 113) • [Non Condensing]: "6.8 Non-condensing Mode" (P. 159) <p>The drum cartridge or fuser unit is damaged or deteriorated. The drum cartridge or fuser unit may need replacement depending on its condition. Contact our Customer Support Center or your dealers.</p>
<p>White patches appear on output. Toner scatters around images. Images are bluish.</p> 	<p>The image transfer voltage (the [Adjust BTR] setting on the control panel) may not be set properly. Adjust the transfer voltage on the control panel.</p> <p>Refer to</p> <ul style="list-style-type: none"> • "7.10 Adjusting the Image Transfer Voltage" (P. 200) <p>Change the [Paper Type] setting and try printing again. For example, if [Paper Type] is set to [Plain Paper], try changing it to [Bond Paper] or [Recycled Paper]. If it is set to [Heavyweight 1], try changing it to [Heavyweight 2].</p>
<p>Texts are smeared.</p> 	<p>The paper is not appropriate for the printer. Load appropriate paper.</p> <p>Refer to</p> <ul style="list-style-type: none"> • "Supported Paper" (P. 76) <p>The paper is damp. Load fresh paper.</p> <p>Dew condensation may have formed in the printer. On the control panel, set the interval that the printer switches to the Sleep mode to more than one hour, and let the printer stand with its power on. After about an hour, the condensation disappears due to the heat inside the printer. If dew condensation forms frequently, set [Non Condensing] to [Enable] on the control panel.</p> <p>Refer to</p> <ul style="list-style-type: none"> • Sleep mode: "[Printer Settings]" (P. 120) • [Non Condensing]: "6.8 Non-condensing Mode" (P. 159)

6.5 Paper Feeding Problems

Symptom	Cause/Remedy
<p>Paper does not feed properly.</p> <p>Paper jams occur.</p> <p>Multiple sheets feed at once.</p> <p>Paper feeds skewed.</p> <p>Output is wrinkled.</p>	<p>Is the paper loaded correctly? Reload the paper correctly. Before loading labels, transparencies, postcards, or envelopes, fan them to make sure that they are separated.</p>
	<p>Isn't the paper damp? Load fresh paper.</p>
	<p>Is the paper appropriate for the printer? Load appropriate paper. Paper may still wrinkle depending on its type or condition.</p> <p>Refer to</p> <ul style="list-style-type: none"> • "Supported Paper" (P. 76)
	<p>Are the paper trays pushed in completely? Push the trays firmly into the printer.</p>
	<p>Is the printer installed on a level surface? Install the printer on a level and sturdy surface.</p>
	<p>Are the paper guides adjusted properly? Adjust the paper guides properly.</p> <p>Refer to</p> <ul style="list-style-type: none"> • "4.2 Loading Paper" (P. 81)
	<p>These problems can happen if you add paper on top of paper that is still in a paper tray. Fan the paper loaded in the tray and reload it into the tray. Add paper to the tray only when the tray is out of paper.</p>
	<p>Are you trying to print on postcards with pre-printed pictures? If you load postcards with printed pictures, the anti set-off powder sticks to the feed rolls preventing the postcards from being fed properly. In such case, clean the feed rolls.</p> <p>Refer to</p> <ul style="list-style-type: none"> • "Cleaning the Feed Rolls" (P. 205)
<p>The printer does not correctly select a paper tray from the trays 1 to 4.</p>	<p>Did you switch on the power when the trays are removed from the printer? If you did, the printer may not correctly sensor the size of the paper loaded in the printer. Push the trays firmly into the printer, and switch the printer off and then on again.</p>
	<p>Are the paper guides adjusted properly? If the paper guides are not positioned correctly, the printer may not correctly sensor the size of the paper loaded. Adjust the paper guides properly.</p>
	<p>Check whether the paper size and paper type settings on the print driver and control panel are set correctly.</p> <p>Refer to</p> <ul style="list-style-type: none"> • "[Printer Settings]" (P. 120) • Online help for the print driver.
<p>The printer does not feed paper from the bypass tray.</p>	<p>Isn't the [Paper/Output] tab > [Paper Source] set to [Auto]? The bypass tray cannot be auto-selected by the printer.</p> <p>Refer to</p> <ul style="list-style-type: none"> • Online help for the print driver.

6.6 Error Messages and Error Codes

Error Messages (in Alphabetical Order)

The following table lists the error messages that appear on the control panel.

Note

- When a message cannot be displayed in one screen, the display switches between two or three screens to display the entire message. The ↑ ↓ in the following table indicates the screen switching motion of the display.

Message	Symptom/Cause/Remedy
Black Toner ID Error ↑ ↓ Press SET Replace Toner	The toner cartridge is not appropriate for the printer. Use an appropriate toner cartridge and install it correctly in the printer. Refer to • "Replacing the Toner Cartridges" (P. 164) • "Types of Consumables" (P. 161)
Cannot print PDF Press SET	The PDF file may be print-prohibited. PDF files that are prohibited to print cannot be printed on the printer. Cancel the job by pressing the <Eject/Set> button on the control panel.
Check Front or Top Cover	The front cover or top cover is open. Close the cover.
Close Front Cover	The front cover is open. Close the front cover.
Close Top Cover	The top cover is open. Close the top cover by firmly pressing its center.
Cyan Toner ID Error ↑ ↓ Press SET Replace Toner	The toner cartridge is not appropriate for the printer. Use an appropriate toner cartridge and install it correctly in the printer. Refer to • "Replacing the Toner Cartridges" (P. 164) • "Types of Consumables" (P. 161)
Disk is full Press SET	The hard disk (optional) is full. Cancel the print job by pressing the <Eject/Set> button on the control panel. Increase the hard disk space by deleting that are unnecessary.
Drum Cartridge ID Error	The drum cartridge is not appropriate for the printer. Use the drum cartridge appropriate for the printer and make sure it is loaded correctly. Refer to • "Replacing the Drum Cartridge" (P. 168) • "Types of Consumables" (P. 161)
Install Drum Cartridge	A drum cartridge is not installed. Install a drum cartridge appropriate for the printer. Refer to • "Replacing the Drum Cartridge" (P. 168) • "Types of Consumables" (P. 161)
Install X Toner Cartridge (X: Black Cyan, Magenta, or Yellow)	The X toner cartridge has run out of toner. Replace the X toner cartridge. Refer to • "Replacing the Toner Cartridges" (P. 164)

Message	Symptom/Cause/Remedy
Install X Toner then ↑ ↓ Close Top Cover (X: Black Cyan, Magenta, or Yellow)	Load the X toner cartridge and close the top cover. If you close the top cover, the cartridge slot rotates allowing you to install the next cartridge. Refer to <ul style="list-style-type: none"> • "Replacing the Toner Cartridges" (P. 164)
Invalid feature Press SET	If the Authentication feature is used, you are not registered as a user who is authorized to print in color. Cancel the job by pressing the <Eject/Set> button on the control panel. For information about the user registration, consult your system administrator.
Invalid job Press SET	The job was not printed since the request is not valid. This message may appear when the accessory configuration settings differ from the actual configuration (for example, you requested 2-sided printing when the duplex unit is not installed, but it is set to [Available] on the print driver). Cancel the job by pressing the <Eject/Set> button on the control panel. Correctly specify the print request and try printing again.
Limit reached Press SET	If the Authentication is used, the number of pages permitted to print has reached the maximum. Cancel the job by pressing the <Eject/Set> button on the control panel. For information about the maximum print pages setting, consult your system administrator.
Load in Bypass xx xx xxxx	The size of the paper loaded in the bypass tray does not match the paper size specified by the job. Load the paper indicated in the message (xx xx xxxx) in the bypass tray. Refer to <ul style="list-style-type: none"> • "Loading Paper in the Bypass Tray" (P. 81)
Load in Tray xx xx xxxx	The printer was requested by the job to automatically select a paper tray, but the paper size settings of all trays do not match the paper size specified by the job. Load paper of the size specified by the job in the appropriate paper tray. Refer to <ul style="list-style-type: none"> • "Loading Paper in the Trays 1 - 4" (P. 83)
Load in Tray N xx xx xxxx (N: tray 1- 4)	The size of the paper loaded in the tray N does not match the paper size requested by the job. Load the paper indicated in the message (xx xx xxxx) in the tray N. Refer to <ul style="list-style-type: none"> • "Loading Paper in the Trays 1 - 4" (P. 83)
Load in Tray N A4 Landscape ↑ ↓ Load in Tray N Plain ↑ ↓ Load in Tray N Check Guides	The paper in the tray N is not A4 Plain Paper and is not loaded in landscape orientation. Or, the paper guides are not adjusted to A4. The paper guide position for A4, especially for the rear guide, can be easily mistaken for that of the Letter size (8.5). Load the correct paper or adjust the paper guides properly.
Login Error Press SET	The Authentication feature is enabled but you are not authorized to print from the printer. Or, when you requested the job, you did not correctly enter your user ID and password on your print driver. Enter the correct user ID and password and try printing again. Consult your system administrator whether you have access to the printer. Refer to <ul style="list-style-type: none"> • "7.8 Authentication and Auditor Administration Features" (P. 188)

Message	Symptom/Cause/Remedy
Magenta Toner ID Error ↑ ↓ Press SET Replace Toner	The toner cartridge is not appropriate for the printer. Use an appropriate toner cartridge and install it correctly in the printer. Refer to <ul style="list-style-type: none"> • "Replacing the Toner Cartridges" (P. 164) • "Types of Consumables" (P. 161)
No paper in Tray N (N: tray 1 - 4)	The job requested the tray N, but the tray is out of paper. Load paper in the paper tray. Refer to <ul style="list-style-type: none"> • "4.2 Loading Paper" (P. 81)
No paper in all trays	The printer was requested by the job to automatically select a paper tray, but all paper trays are out of paper. Load paper in each tray. Refer to <ul style="list-style-type: none"> • "4.2 Loading Paper" (P. 81)
Open A Clear Jam	A paper jam occurred in the printer. Open the front cover by pressing the lever A and find the jammed area. If you see the jammed paper, remove it from the printer. Refer to <ul style="list-style-type: none"> • "6.1 Clearing Paper Jams" (P. 132)
Open B Clear Jam	A paper jam occurred in the printer. Open the front cover by pushing the button B and find the jammed area. If you see the jammed paper, remove it from the printer. If you are trying to print on transparencies, the transparencies used may not be appropriate for the printer. Use only transparencies appropriate for the printer. Refer to <ul style="list-style-type: none"> • "6.1 Clearing Paper Jams" (P. 132)
Open B Clear Jam or ↑ ↓ Open E Clear Jam	A paper jam occurred in the printer. Open the front cover by pushing the button B and find the jammed area. If you see the jammed paper, remove it from the printer. If you do not see the paper, open the fuser cover by holding the lever E and find the jammed paper. If you see the paper, remove it from the printer. Refer to <ul style="list-style-type: none"> • "6.1 Clearing Paper Jams" (P. 132)
Open Tray 1 & A Clear Jam ↑ ↓ Remove paper from jam area	A paper jam occurred in the printer. Identify the jammed area by pulling out the tray 1 or opening the front cover by pushing up the lever A. Remove the jammed paper from either location, whichever is easier. If you are trying to print on transparencies, the transparencies used may not be appropriate for the printer. Use only transparencies appropriate for the printer. Refer to <ul style="list-style-type: none"> • "6.1 Clearing Paper Jams" (P. 132) • "Supported Paper" (P. 76)
Open Tray N1 then Tray N2 ↑ ↓ Clear Jam Open & Close A (N1 - N2: tray 1 - 4)	A paper jam occurred in the printer. Pull out the tray N1 and then the tray N2 to identify the jammed area, and remove the jammed paper. Then, push up the lever A and open and close the front cover. Open the front cover even when there is no jammed paper inside the cover. The error will not clear unless you open and close the front cover. Refer to <ul style="list-style-type: none"> • "6.1 Clearing Paper Jams" (P. 132)

Message	Symptom/Cause/Remedy
Open Tray N Clear Jam ↑ ↓ then Open & Close A (N: tray 1 - 4)	A paper jam occurred in the printer. Pull out the tray N to identify the jammed area, and remove the jammed paper. Then, push up the lever A and open and close the front cover. Open the front cover even when there is no jammed paper inside the cover. The error will not clear unless you open and close the front cover. Refer to <ul style="list-style-type: none"> • "6.1 Clearing Paper Jams" (P. 132)
Out of memory Press SET	The job cannot be printed due to insufficient memory. Cancel the job by pressing the <Eject/Set> button on the control panel. Reduce the number of files to print and try printing again. If the same message keeps appearing, we suggest you to install additional memory.
Out of Toner [X] Replace Toner (X: K, C, M, or Y)	The X toner cartridge has run out of toner. Replace the X toner cartridge. Refer to <ul style="list-style-type: none"> • "Replacing the Toner Cartridges" (P. 164)
Paper different from Setting. ↑ ↓ Open Tray 1 & A Clear Jam	A paper jam occurred since the paper type requested by the job does not match the paper type setting of the tray 1. Pull out the tray 1 or open the front cover by pressing the lever A and find the jammed area. If you see the jammed paper, remove it from either location, whichever is easier. Then, check the paper type settings on the print driver and the printer. Refer to <ul style="list-style-type: none"> • "6.1 Clearing Paper Jams" (P. 132) • "[Paper Type]" (P. 121)
PDL Error Press SET	An error occurred while processing the job. Cancel the job by pressing the <Eject/Set> button on the control panel. Check if there is any problem with the print data.
Print memory full. Press SET	The job was not printed due to insufficient memory. Cancel the job by pressing the <Eject/Set> button on the control panel. Reduce the number of files to be printed. If the message keeps appearing, we suggest you to install additional memory.
Push in Tray N (N: tray 1 - 4)	The tray N is open. Push the tray firmly into the printer.
Push in trays	The printer was requested by the job to automatically select a paper tray, but all paper trays are open. Push the trays firmly into the printer.
Push in all trays	The job requested a paper tray, but one of the trays above it is open. Close the open tray.
Ready to print Drum Cartridge ↑ ↓ Ready to print Replace soon	The drum cartridge needs to be replaced soon. Have a new cartridge ready.
Ready to print Fuser Unit ↑ ↓ Ready to print Replace soon	The fuser unit needs to be replaced soon. Have a new fuser unit ready.
Ready to print Non-Genuine	The printer is set to the [Non Genuine] mode. The Non Genuine mode does not ensure print quality and may not provide the best performance. This mode can also cause printer malfunction. Use only the toner cartridges that are recommended. Refer to <ul style="list-style-type: none"> • "Non-genuine Mode" (P. 160)

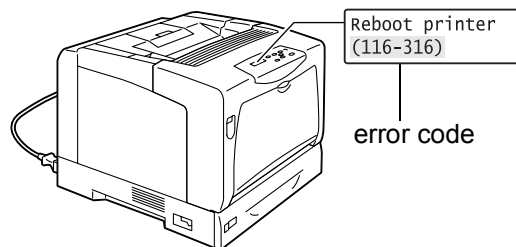
Message	Symptom/Cause/Remedy
Ready to print Replace (***_***)	The part needs to be replaced soon. Copy down the "***_***)" and contact our Customer Support Center or your dealers. Refer to • "Error Codes" (P. 154)
Ready to print X Toner ↑ ↓ Ready to print Replace soon (X: Black Cyan, Magenta, or Yellow)	The toner in the X toner cartridge is low. Have a new cartridge ready.
Reboot printer (***_***)	The printer may be at fault. Switch the power off, wait for the display to go out, and switch the power back on again. If the same error code is displayed, copy down the error code (***_***), and contact our Customer Support Center or your dealers. Refer to • "Error Codes" (P. 154)
Remove Drum Cartridge	When installing the printer, make sure to load the toner cartridges before the drum cartridge. Switch the power off, remove the drum cartridge from the printer, switch the power back on, and follow the message displayed on the display to load the toner cartridges and then the drum cartridge. Refer to • "Replacing the Drum Cartridge" (P. 168)
Replace Drum Cartridge	It is time to replace the drum cartridge. Replace the drum cartridge.
Replace Fuser Unit	It is time to replace the fuser unit. Replace the fuser unit.
Replace X Toner Cartridge (X: Black Cyan, Magenta, or Yellow)	The X toner cartridge has run out of toner. Replace the X toner cartridge. Refer to • "Replacing the Toner Cartridges" (P. 164)
SysError ***_** Press SET	A system error occurred. Copy down the error code (***_***) on the display, and contact our Customer Support Center or your dealers. Pressing the <Eject/Set> button on the control panel clears the error. Refer to • "Error Codes" (P. 154)
SysError ***_** Reboot printer	A system error occurred. Switch the power off, wait for the display to go out, and then switch the power back on. If the same error code is displayed, copy down the error code (***_***), and contact our Customer Support Center or your dealers. Refer to • "Error Codes" (P. 154)
Unknown paper type. Press SET	The printer was requested by the job to automatically select a paper tray when the [Paper Priority] setting for all paper types are set to [Off]. Cancel the print job by pressing the <Eject/Set> button on the control panel. Set the priority order of the paper trays or manually select a paper tray on the control panel. Refer to • "[System Settings]" (P. 113)

Message	Symptom/Cause/Remedy
Wrong paper size Reload Tray N (N: tray 1 - 4)	The job requested the tray N, but the paper size of the tray does not match the paper size specified by the job. Change the paper size setting on the control panel. Refer to <ul style="list-style-type: none"> • "Loading Paper in the Trays 1 - 4" (P. 83)
Wrong paper size Reload Bypass	The job requested the bypass tray, but the paper size of the tray does not match the paper size of the job. Change the paper size setting on the control panel. Refer to <ul style="list-style-type: none"> • "[Printer Settings]" (P. 120)
Wrong password Press SET	The password of the PDF file and that set on the printer do not match. Cancel the job by pressing the <Eject/Set> button on the control panel. Set the correct password on the control panel and try printing again. Refer to <ul style="list-style-type: none"> • "[PDF]" (P. 95)
Yellow Toner ID Error ↑ ↓ Press SET Replace Toner	The toner cartridge is not appropriate for the printer. Use an appropriate toner cartridge and install it correctly in the printer. Refer to <ul style="list-style-type: none"> • "Replacing the Toner Cartridges" (P. 164) • "Types of Consumables" (P. 161)

Error Codes

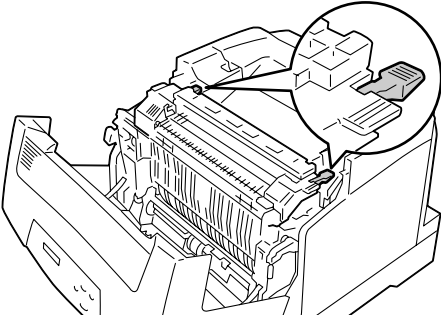
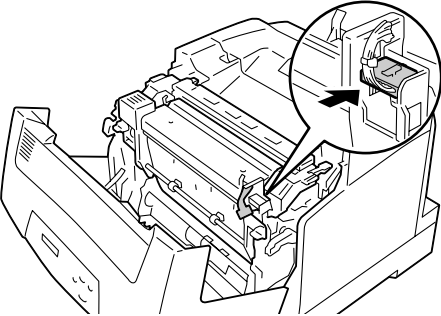
Error codes are six-digit numbers that appear on the control panel when errors occur. Such errors include abnormal print jobs and printer malfunction.

Error codes are important information that identifies the causes of errors. Please have error codes ready when calling our Customer Support Center or your dealers.



The following table lists the error codes that can be resolved by users. When an error code is displayed, see if it is listed in the following table.

The following error codes are listed in ascending order.

Error Code	Cause/Remedy
010-397	<p>The fuser unit may not be installed properly or may be at fault. Open the front cover by pressing the button B, and check if the levers on both sides of the fuser unit is locked firmly.</p>  <p>If the same message is displayed again, contact our Customer Support Center or your dealers.</p>
042-371	<p>An error occurred while rotating the toner cartridge slot. The toner cartridge may not be installed correctly. Remove the toner cartridge, reboot the printer, and install the cartridge again into the printer.</p>
077-215	<p>The sheet feeder (optional) is not plugged into the printer properly. Switch the power off, reinstall the sheet feeder, and then switch the power back on.</p>
077-216	<p>The duplex unit is not plugged into the printer properly. Switch the power off, and check if the connector cable of the duplex unit is properly plugged into the printer.</p> 

Error Code	Cause/Remedy
091-321	The drum cartridge is not installed in the correct location. Remove the drum cartridge, reboot the printer, and then reinstall the drum cartridge.
093-310	The toner cartridges are not installed in the correct position. Remove the toner cartridges, reboot the printer, and then reinstall the toner cartridges.
093-414	<p>The color development unit (Y) (regular replacement part) needs to be replaced soon. Contact our Customer Support Center or your dealers.</p> <p>Refer to</p> <ul style="list-style-type: none"> • Life of color development unit: "A.3 Life of Consumables and Regular Replacement Parts" (P. 218)
093-415	<p>The color development unit (M) (regular replacement part) needs to be replaced soon. Contact our Customer Support Center or your dealers.</p> <p>Refer to</p> <ul style="list-style-type: none"> • Life of color development unit: "A.3 Life of Consumables and Regular Replacement Parts" (P. 218)
093-416	<p>The color development unit (C) (regular replacement part) needs to be replaced soon. Contact our Customer Support Center or your dealers.</p> <p>Refer to</p> <ul style="list-style-type: none"> • Life of color development unit: "A.3 Life of Consumables and Regular Replacement Parts" (P. 218)
093-417	<p>The monochrome development unit (regular replacement part) needs to be replaced soon. Contact our Customer Support Center or your dealers.</p> <p>Refer to</p> <ul style="list-style-type: none"> • Life of monochrome development unit: "A.3 Life of Consumables and Regular Replacement Parts" (P. 218)
094-422	<p>The 2nd transfer unit (regular replacement part) needs to be replaced soon. Contact our Customer Support Center or your dealers.</p> <p>Refer to</p> <ul style="list-style-type: none"> • Life of 2nd transfer unit: "A.3 Life of Consumables and Regular Replacement Parts" (P. 218)
116-316	<p>The memory card (optional) is not installed correctly. Switch the power off, see if the memory card is firmly inserted, and switch the power back on.</p> <p>Refer to</p> <ul style="list-style-type: none"> • "A.6 Installing Additional Memory" (P. 223)
116-320	<p>The memory card installed is not supported by the printer. Install a memory card supported by the printer.</p> <p>Refer to</p> <ul style="list-style-type: none"> • "A.2 Optional Accessories" (P. 217)

6.7 Network-related Problems

For information on how to resolve network-related printing problems, refer to the 'CD-ROM Documentation (HTML)' on the CD-ROM of the Driver CD Kit.

The followings are the problems you may encounter when using CentreWare Internet Services, E-mail Print, or StatusMessenger. When an error message or error code is displayed, refer to "6.6 Error Messages and Error Codes" (P. 148) to remedy the error.

CentreWare Internet Services Problems

Symptom	Cause/Remedy
Entered text in a text box within the number of bytes allowed for the text box (when one non-alphanumeric character is counted as 2 bytes), but the whole text was not saved.	This printer uses Unicode UTF-8 to save characters entered on CentreWare Internet Services. In general UTF-8 requires 2 to 4 bytes to save one non-alphanumeric character. The text you entered may have exceeded the maximum number of bytes allowed for the text box, and thus was not saved.
Cannot access to CentreWare Internet Services.	Is the printer running normally? Check if the printer is switched on.
	Is Internet Services activated? Print out the [Printer Settings] list to see if Internet Services is activated.
	Is the URL entered correctly? Check the URL. If you still cannot access the service, enter the printer's IP address instead of the URL.
	Is the number of HTTP port correct? Check the HTTP port number again. If you changed the port number, you must enter a ":" (colon) and then the port number after the address when accessing CentreWare Internet Services. Example) http://printer1.example.com:80/
	If SSL/TLS server communication is enabled, did you enter the address correctly in the address field? If SSL/TLS server communication is enabled, start the address with "https" instead of "http". Also, if you changed the SSL/TLS port number, enter a ":" (colon) before the port number. Example) https://printer1.example.com:80/
	Note • This feature is not supported on the model available in China.
The "Please wait..." message is displayed on the web browser and does not disappear.	Is your web browser using a proxy server? CentreWare Internet Services cannot be accessed depending on the proxy server being used. Try accessing the service without using a proxy server.
	Refer to • Online help for your web browser.
The latest information is not displayed.	Wait for a while as instructed. If nothing happens, refresh the web browser. If this does not help, check if the printer is running normally.
	Click [Refresh].

Symptom	Cause/Remedy
<p>The [Refresh] button does not work. The contents in the right frame does not change even when a different topic is selected in the left frame. The service is slow.</p>	<p>Is your operating system or web browser supported by CentreWare Internet Services? Refer to "1.5 Configuring the Printer Using CentreWare Internet Services" (P. 28) to see if your operating system or web browser is supported by the service.</p> <p>If your browser is using a proxy server, the window may not refresh properly or may become slow. Access CentreWare Internet Services without using a proxy server.</p> <p>Old information may be cached on your web browser. Clear all the information cached on the web browser.</p>
<p>The contents projected on the screen is distorted.</p>	<p>Change the window or font size setting on the web browser.</p>
<p>Clicking [Apply] does not reflect the new settings.</p>	<p>Did you enter the values correctly? If the values are not valid, an error message will be displayed. Check if the values are entered correctly.</p>
<p>Forgot the system administrator ID or password and unable to change the settings.</p>	<p>The default user ID and password of the administrator of CentreWare Internet Services are:</p> <ul style="list-style-type: none"> • User ID: 11111 • password: x-admin <p>If you cannot recall the ID and password, initialize the setting under [Init/Del Data] > [Init/NetworkPort] on the control panel. This operation, however, initializes the entire network-related settings to the defaults. Before initializing the settings, we suggest you to record the current settings by printing out the [Printer Settings] list.</p>
<p>The service does not accept the user ID or password.</p>	<p>If you fail to log in four times in a row after switching the power on or after the last successful login, you will be locked out of the service. Depending on the web browser you are using, the login window does not close until you cancel the login attempt. In such case, reboot the printer and try logging in again.</p>
<p>The display language is not what you desire.</p>	<p>Change the display language setting on your web browser.</p> <p>Refer to</p> <ul style="list-style-type: none"> • Online help for you web browser. <p>If you access the printer simultaneously from multiple web browsers or StatusMessenger of different languages, the character strings obtained from the printer may be different from the language setting on the web browsers. If this is the case, refresh the web browsers.</p> <p>This problem can happen, also when your web browser is using a proxy server. Trying accessing the service without using a proxy server.</p> <p>Refer to</p> <ul style="list-style-type: none"> • Online help for your web browser
<p>The connection to CentreWare Internet Services was rejected, or a message "The page does not contain data" is displayed.</p>	<p>This may happen if you refresh your web browser too often. Try not to refresh the web browser frequently. Also, do not leave the [Status] or [Jobs] tab displayed on multiple browsers.</p>
<p>Buttons are displayed as URL links.</p>	<p>Some buttons on the service use JavaScript. Such buttons do not appear when JavaScript is not running or disabled. In such case, the buttons are displayed as URL links. We suggest you to enable JavaScript on your web browser.</p>

E-Mail Print/StatusMessenger Problems

Symptom	Cause/Remedy
Cannot check the printer's status via e-mail. (StausMessenger)	Check to see if [Properties] > [Port Status] > [StatusMessenger] or [E-mail Print] on CentreWare Internet Services is set to [Enabled].
Cannot use the E-mail Print feature.	<p>Check the following settings under [Properties] > [E-mail] on CentreWare Internet Services.</p> <ul style="list-style-type: none"> • Is the e-mail address of the printer configured? • Are the rest of the settings such as the SMTP server and POP3 server set correctly? • Is [Permitted E-mail Address] (e-mail addresses from which the printer accepts e-mails) enabled? Is your addresses included in [Permitted E-mail Address]?
	<p>Is [Password for Read-Only Data] or [Password for Print Job] entered correctly in the e-mail (if either password is set)? Make sure to specify the same password as the one set under [Properties] > [E-mail] on CentreWare Internet Services.</p>
	<p>Are the commands written in the e-mail correct? Make sure to write commands correctly.</p> <p>Refer to</p> <ul style="list-style-type: none"> • "3.9 Printing Using E-mail - E-mail Print -" (P. 70) • "7.5 Checking the Printer Status via E-mail" (P. 176)
	<p>Are the SMTP server and POP3 server running normally? Consult your network administrator to see if the servers are running normally.</p>
The printer does not notify errors via e-mail (StausMessenger)	<p>Check to see if [Properties] > [Port Status] > [StatusMessenger] on CentreWare Internet Services is set to [Enabled].</p>
	<p>Check the following settings under [Properties] > [E-mail] on CentreWare Internet Services.</p> <ul style="list-style-type: none"> • Is the e-mail address of the printer configured? • Are the rest of the settings such as the SMTP server and POP3 server set correctly? • Are the items or events to be notified of set correctly? • Are the recipients' e-mail addresses set correctly?
	<p>Are the SMTP server and POP3 server running normally? Consult your network administrator to see if the servers are running normally.</p>
Some items are not displayed on job history	<p>If you view the history of E-mail print jobs on CentreWare Internet Services, [Job Name], [Owner], [Host Name], [Host I/F], and [Job Submission Time] will be blank. The above items will be blank also on [Job History Report]. [Port] on [Job History Report] will be printed as [POP3].</p>

6.8 Non-condensing Mode

The Non-condensing mode allows you to reduce dew condensation in the printer.

Sudden changes in temperature and/or humidity (such as rapid heating of a cold room using a heater, or early morning hours in winter) can cause dew condensation in the printer, resulting in poor print quality or paper jams in the fuser unit. The Non-condensing mode can avoid such problems caused by dew condensation.

To enable this mode, set [Admin Menu] > [Maintenance Mode] > [Non Condensing] to [Enable] (default: Disable) on the control panel.

The Non-condensing mode becomes effective from the morning after you enable it.

Follow the guidelines below when using the Non-condensing mode.

1. Leave the power on.

Important

- When the printer is left idle with the power on when the Non-condensing mode is enabled, the printer switches to the Low Power mode and consumes less than 24 W of electricity.
2. When the condensation is severe, this mode may not resolve the situation. In such case, do not use the printer until the condensation disappears by itself.
 3. Enabling this mode automatically disables the Sleep mode of the Power Saver feature. To enable the Sleep mode, set [Non Condensing] to [Disable], and then set [Sleep Mode]* to [Enable].

■ To Save Electricity:

- Switch the power off when not using the printer for an extended period of time.
- During seasons or in environments where internal condensation does not occur, set [Non Condensing] to [Disable], and then set [Sleep Mode]* to [Enable] .

*: This setting is not supported on the model available in China. You do not need to set this setting on the Chinese model.

6.9 Non-genuine Mode

When the toner within a toner cartridge is empty, the [Replace X Toner Cartridge] (X: Black, Cyan, Magenta, or Yellow) message appears.

When you want to use the printer in Non-genuine mode, use the following procedure to program the mode and replace the toner cartridge.

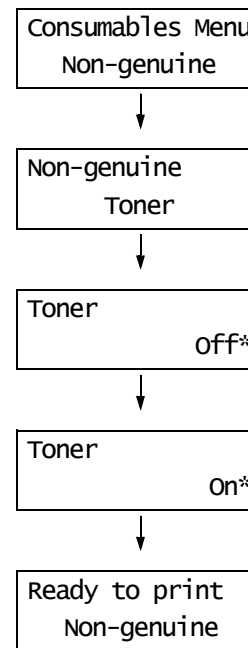
Important

- If you use the printer in the Non-genuine mode, the performance of the printer may not be at its optimum. And any problems that may arise from the use of the Non-genuine mode are not covered by our quality guarantee. The continuous use of the Non-genuine mode can also cause the printer to break down, and any repair charges for such break down will be incurred by users.

Note

- To disable the Non-genuine mode, select [Off] in Step 4.

1. Press the <▼> and <Eject/Set> buttons simultaneously on the control panel. [Consumables Menu] is displayed.
2. Press the <▶> button. [Toner] is displayed.
3. Press the <▶> button again. The current setting is displayed.
4. Press the <▼> button to display [On]. Then, press the <Eject/Set> button to confirm the selection.
5. Press the <Menu> button. The printer switches to the Non-genuine mode.



7 Maintenance

7.1 Replacing Consumables

Types of Consumables

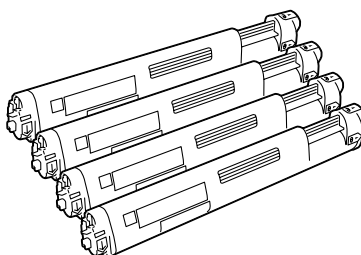
The following consumables are provided for the printer. To order them, contact the dealer where you purchased the printer.

Important

- This printer is designed to provide the most stable performance and print quality when used with the genuine consumables. If you use consumables with specifications different from those of the genuine consumables, the performance of the printer may not be at its optimum. And if the printer breaks due to the use of non-genuine consumables, you may incur the repair charges. To receive full support and to use the printer at its best performance, we recommend you to use only the genuine consumables.
- The page yield of each consumable varies depending on print requests, documents printed, and how often the power is switched on/off. For more information, refer to "Life of Consumables and Regular Replacement Parts" (P. 218).

■ Toner Cartridges

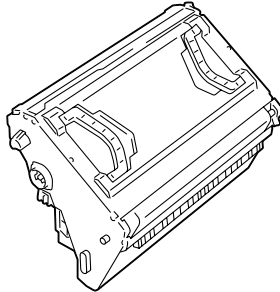
The printer has toner cartridges of four colors; black (K), yellow (Y), magenta (M), and cyan (C). For information on when and how to replace the toner cartridges, refer to "Life of Consumables and Regular Replacement Parts" (P. 218) and "Replacing the Toner Cartridges" (P. 164).



Product Name	Product Code	Page Yield (Reference Value)
Toner cartridge 6.5 K (black)	CT200805	Approx. 6,500 pages
Toner cartridge 6.5 K (cyan)	CT200806	Approx. 6,500 pages
Toner cartridge 6.5 K (magenta)	CT200807	Approx. 6,500 pages
Toner cartridge 6.5 K (yellow)	CT200808	Approx. 6,500 pages
DocuPrint C3055 China Toner (K) 6.5K (for China only)	CT200895	Approx. 6,500 pages
DocuPrint C3055 China Toner (C) 6.5K (for China only)	CT200896	Approx. 6,500 pages
DocuPrint C3055 China Toner (M) 6.5K (for China only)	CT200897	Approx. 6,500 pages
DocuPrint C3055 China Toner (Y) 6.5K (for China only)	CT200898	Approx. 6,500 pages

■ Drum Cartridge

The drum cartridge consists of a photosensitive drum (drum), an intermediate transfer belt, and a waste toner box. An electric charge is first projected to the drum and develops a print image on the drum's surface. For information on when and how to replace the drum cartridge, refer to "Life of Consumables and Regular Replacement Parts" (P. 218) and "Replacing the Drum Cartridge" (P. 168).



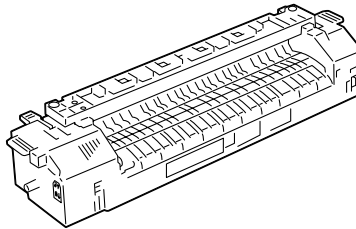
Product Name	Product Code	Page Yield (Reference Value)
Drum cartridge	CT350445	Approx. 24,000 pages

■ Fuser Unit

The fuser unit is a component in the printer that uses heat and pressure to fuse toner onto paper. The fuser unit becomes very hot when the printer is in use, so do not touch it.

When the fuser unit is near the end of its life, the [Replace soon] message appears on the control panel. After approximately 60,000 (A4 landscape) prints, another message, [Replace], appears and the printer shuts down. Make sure to have a new fuser unit ready before the printer shuts down.

For information on how to replace the fuser unit, refer to the installation guide included in the package.



Product Name	Product Code	Page Yield (Reference Value)
Fuser Unit 220V	CWAA0679	Approx. 100,000 pages
Fuser Unit 110V (for Taiwan)	CWAA0680	Approx. 100,000 pages

Handling Consumables

- Do not store consumables upright.
- Do not unpack consumables/maintenance parts until they are ready to be used.
- Avoid storing consumables/maintenance parts in the following locations:
 - in high temperature and humidity
 - near heat sources
 - in direct sun light
 - in dusty places
- When using consumables, make sure to follow the precautions stated on their packaging.
- We recommend you to keep backup supplies of consumables.

Replacing the Toner Cartridges

The printer has toner cartridges of four colors: black (K), yellow (Y), magenta (M), and cyan (C).

When a toner cartridge is near or reaches the end of its life, the following messages appear on the printer's control panel.

Message	Action
Ready to print X ^{*1} Toner Replace soon	The X toner cartridge does not need to be replaced right away, but have a new cartridge ready. Important <ul style="list-style-type: none">When the [Replace soon] message is displayed, the X toner cartridge still has some toner left. If you want to change the cartridge at this point (such as when you want to process a large print job), specify X (the color of the cartridge) on the control panel before opening the cover. This will move the cartridge to the replacement position. To replace the cartridge, start from Step 2 in "Replacement Procedure" (P. 165).
Replace X ^{*1} Toner Cartridge	The printer stops and becomes unable to print. Replace the X toner cartridge. Important <ul style="list-style-type: none">When the [Replace X Toner Cartridge] message is displayed, the X toner cartridge is already at the replacement position and so you can skip Steps 2 to 7 in "Replacement Procedure" (P. 165).

*1: X: Cyan, Magenta, Yellow, or Black

WARNING

- Never throw a toner cartridge into an open flame. It can cause an explosion and you can get burnt.
 - Never use a vacuum cleaner when you clean spilled toner. It can cause explosion as the toner fills the vacuum cleaner and gets sparks. Use a broom or a wet cloth.
-

Important

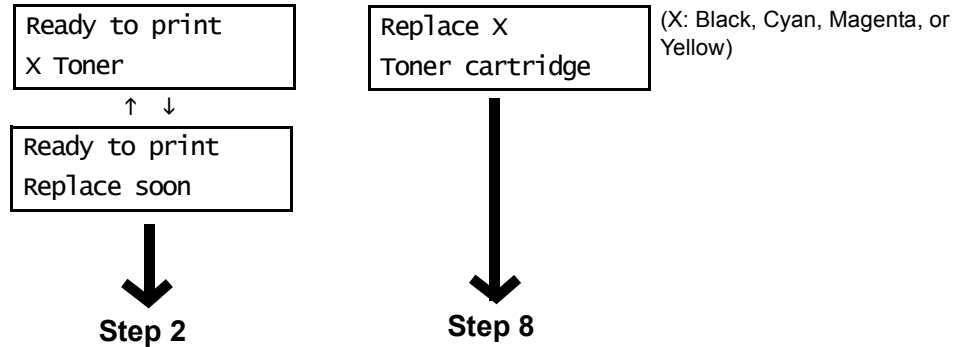
- Make sure that the power is on when replacing the toner cartridges.
- When the printer is connected to a scanner (associated product) and installed using a scanner stand (associated product), pull the printer at least 200 mm away from the scanner stand before replacing the toner cartridges. For more information, refer to "Connecting the Printer to a Scanner (Associated Product)" (P. 220).
- When placing a used toner cartridge on the floor or on a table, place a few sheets of paper under the cartridge to catch any toner that may spill.
- Do not reuse old toner cartridges once you remove them from the printer. Doing so can impair print quality.
- Do not shake or pound used toner cartridges. The remaining toner may spill.
- Toner is not harmful to the human body. But if it gets on your hands or clothes, wash it off immediately.
- We recommend you to use up the toner cartridges within one year after removing them from the packaging.

Replacement Procedure

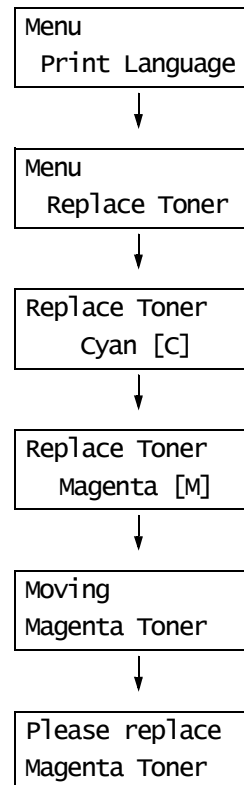
Use the following procedure when replacing the toner cartridges.

The replacement procedure when the [Replace X Toner Cartridge] (X: Black, Cyan, Magenta, or Yellow) message is displayed differs from that when the [Replace soon] message is displayed on the control panel.

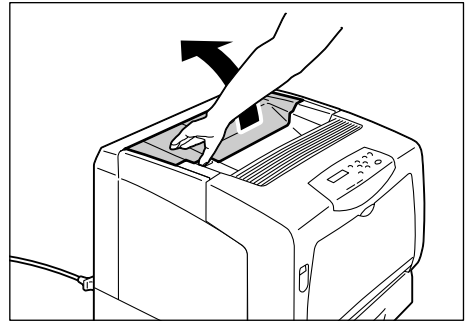
1. Make sure that the printer's power is on and check the message on the control panel.





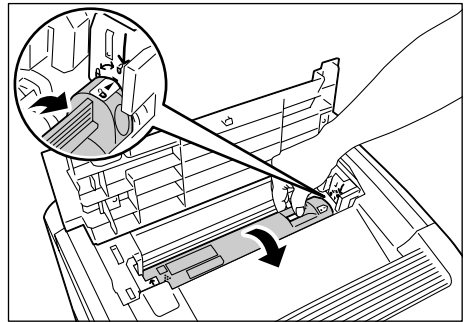
2. Press the <Menu> button on the control panel to display the menu screen.
3. Press the <▼> button until [Replace Toner] is displayed.
4. Press the <▶> button to accept the selection. [Cyan [C]] is displayed.
5. Press the <▼> until the desired color is displayed. (Example: Magenta [M]).
6. Press the <▶> button to accept the selection. The screen on the right appears and the toner cartridge rotates.
7. When the toner cartridge is at the top of the cartridge slot, the screen on the right is displayed. You are now ready to replace the toner cartridge.



8. Place your fingers into the inset grip on the left side of the top cover, and lift the cover open.



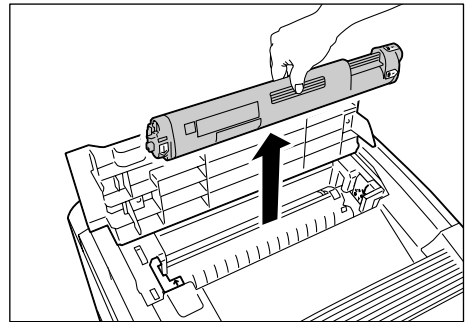
9. Rotate the lever on the right side of the toner cartridge to the front, and align the  mark on the cartridge with the  mark on the printer.



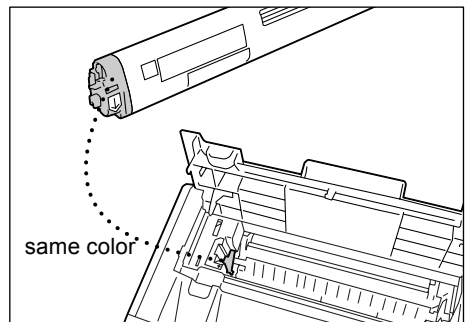
10. Lift the toner cartridge and remove it from the printer.

Important

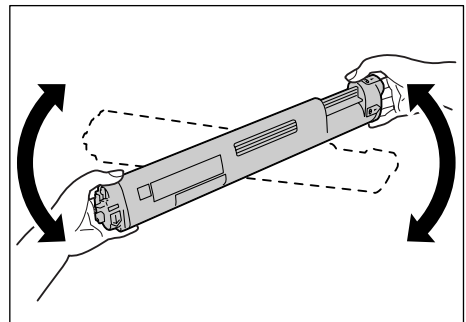
- Do not touch the interior of the printer. Some parts may be hot.



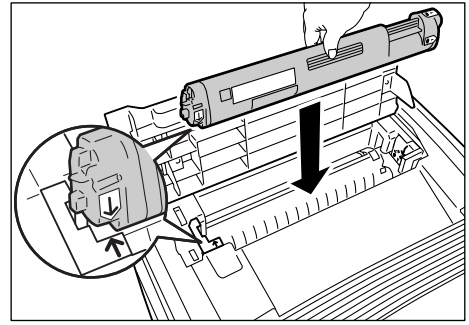
11. Have ready the cartridge of the color indicated in the message. The color of the cartridge is also indicated on the cartridge slot.






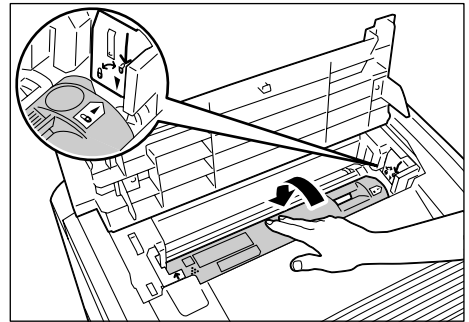
12. Shake the toner cartridge three or four times to even out the toner inside.



13. Hold the toner cartridge horizontally with the label facing front (toward the control panel). The side that indicates the toner color comes to the left. Insert the cartridge into the printer, aligning the arrow on its left side with the arrow on the printer.



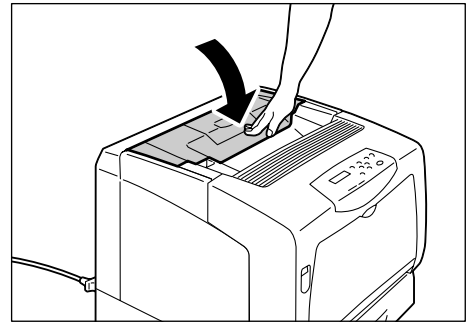
14. Firmly push in the toner cartridge until it stops, and rotate it. The   mark on the toner cartridge and the  mark on the printer align.



15. Close the top cover by firmly pressing its center.

Important

- The top cover will not close unless the toner cartridge is installed correctly. In such case, reinstall the toner cartridge.



16. If [Replace Toner] is displayed on the control panel, you can replace other toner cartridges by performing Steps 5 to 7. To end the replacement procedure, press the <Menu> button and return to the print screen.

Replacing the Drum Cartridge

When the drum cartridge is near or reaches the end of its life, the following messages appear on the printer's control panel.

Message	Action
Ready to print Drum Cartridge Replace soon	The drum cartridge does not need to be replaced right away, but have a new drum cartridge ready.
Replace Drum Cartridge	The printer stops and becomes unable to print. Replace the drum cartridge.

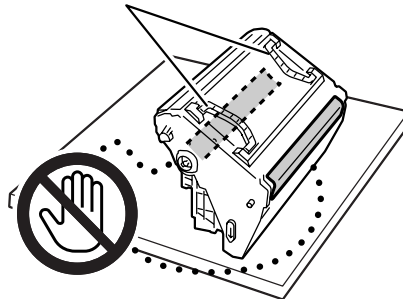
⚠ WARNING

- Never throw a drum cartridge into an open flame. Toner remaining in the cartridge can cause an explosion and you can get burnt.
-

Important

- Make sure that the power is on when replacing the drum cartridge. Switching the power off erases the print data in the printer and information accumulated in the memory.
- Do not expose the drum cartridge to direct sunlight or strong light.
- Avoid exposure to strong light when installing the drum cartridge and complete the installation in less than one minute.
- Do not touch the surface of the intermediate transfer belt (black portion on the bottom) or the photosensitive drum (blue portion on the back side). Do not place the drum cartridge upright or upside down. Doing so can damage the drum.
- Place the drum cartridge only on a flat surface.

Place the side with the handles facing up.



Replacement Procedure

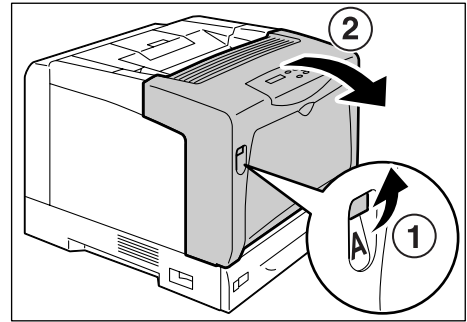
Use the following procedure to replace the drum cartridge and to clean inside the printer.

1. If paper is loaded in the bypass tray, remove the paper and close the bypass tray cover.

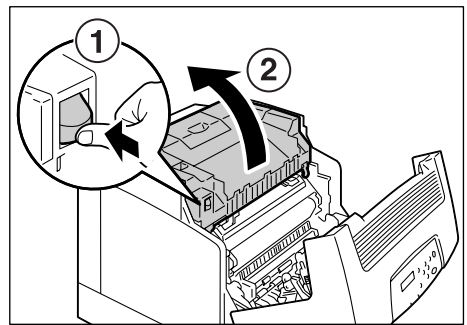
Important

- When closing the bypass tray cover, be careful not to get your fingers caught between (the left or right edge of) the cover and the printer.

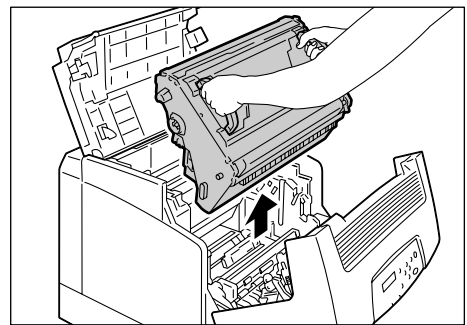
2. Push up the lever A and open the front cover.



3. Press the orange button shown in the figure and open the output tray cover.



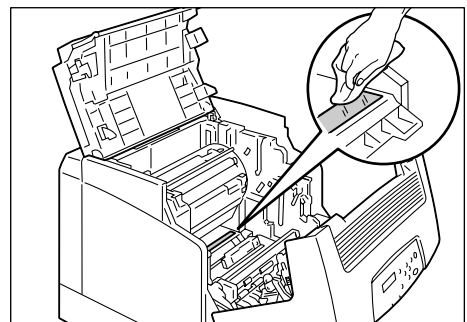
4. Hold the drum cartridge by the handles with both hands, and lift it straight up.



5. Gently wipe the glass window at the back of the cartridge slot with a soft dry cloth.

Important

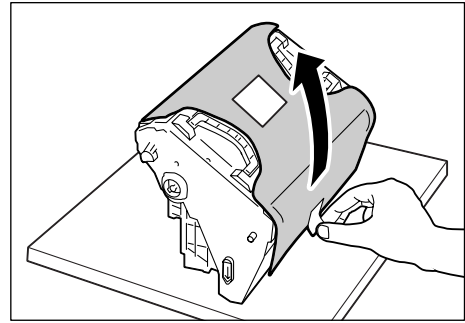
- Do not touch the interior of the printer unless specifically instructed. Some parts may be hot.



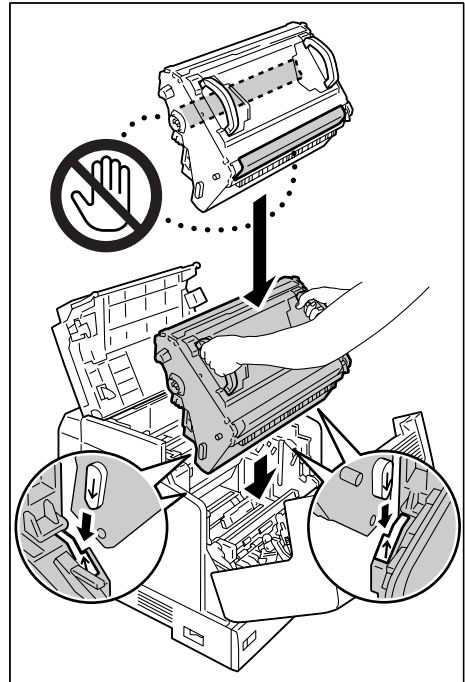
6. Remove the new drum cartridge out of the box and take off the protective sheet.

Important

- Do not touch the surface of the intermediate transfer belt (black portion on the bottom) or the photosensitive drum (blue portion on the back side). Scratches, dirt, or oil from your hands can decrease print quality.



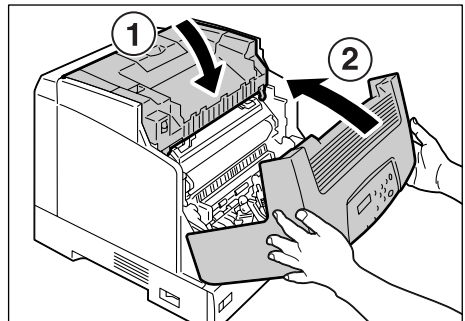
7. Hold the drum cartridge by the handles with both hands. Gently insert the drum cartridge into the printer, aligning the projections marked with arrows on both sides with the arrow labels on the printer.



8. Close the output tray cover and then the front cover.

Important

- When closing the covers, be careful not to get your fingers caught between the covers and the printer.



7.2 Printing the Reports/Lists

This section describes various reports/lists that can be printed from the printer.

Types of the Reports/Lists

The printer can print the following reports/lists in addition to print jobs from its clients.

Report/List Name (Name on the Control Panel)	Required Optional Accessory	Description
Job History Report (Job History)	-	Lists the last 22 print jobs processed on the printer. You can print this report to check the completion status of your job. You can program your printer to automatically print this report after every 22 jobs using the control panel. For more details, refer to "[Auto Job History]" (P. 117).
Error History Report (Error History)	-	Lists the errors occurred in the printer.
Meter Report (Print Meter)	-	Lists the number of printed pages/sheets to date by computer (job owner). This report cannot be printed when the Authentication feature is enabled. The [Auditron Report] can be printed instead. Refer to <ul style="list-style-type: none">• "Checking the Meter Reading" (P. 186)
Auditron Report (Print Meter)	-	When the Authentication feature is enabled, selecting [Print Meter] prints this report. This report lists the number of monochrome/color pages printed by each user and the number of sheets printed for each paper type. Refer to <ul style="list-style-type: none">• "Authentication and Auditron Administration Features" (P. 188).
Printer Settings (Printer Settings)	-	Lists the total number of prints, the printer's hardware configuration, network information, and the status of various settings. Print this list to see if the options are correctly installed on the printer.
Panel Settings (Panel Settings)	-	Lists the values of the settings configured on the control panel.
Font List (Font List)	-	Lists the supported ESC/P and PDF fonts.
PCL Font List (PCL Font List)	-	Lists the supported PCL fonts.
PostScript® Font List (PS Font List)	PostScript software kit (DocuPrint C3055 only)	Lists the supported PostScript fonts.
User Defined List (User Defined)	-	Lists the forms, logos, patterns registered in the ESC/P mode.

Report/List Name (Name on the Control Panel)	Required Optional Accessory	Description
PCL Macro List (PCL Macro List)	-	Lists the information about the PCL macros downloaded to the printer.
ESC/P Logical Printers List (ESC/P Logical)	-	<p>Lists the settings of the logical printers 1 - 5 created in the ESC/P mode.</p> <p>Note</p> <ul style="list-style-type: none"> Logical printers can be created using CentreWare Internet Services. For more information, refer to the online help for CentreWare Internet Services.
PostScript® Logical Printers List (PS Logical)	PostScript software kit (DocuPrint C3055 only)	<p>Lists the settings of the logical printers 1 - 5 created in PostScript.</p> <p>Note</p> <ul style="list-style-type: none"> Logical printers can be created using CentreWare Internet Services. For more information, refer to the online help for CentreWare Internet Services.
Stored Document List (Stored Documents)	hard disk	<p>Lists the documents stored in the printer via the Secure Print/ Sample Print feature.</p> <p>Refer to</p> <ul style="list-style-type: none"> "Printing Confidential Documents - Secure Print -" (P. 59) "Printing After Checking the Print Result - Sample Print -" (P. 63)
- (Demo Print)	-	There are four types of demo prints: OfficeUse Sample, Graphics Sample, A3 Sample, 2-Sided Sample. You can check the printer's performance on these demo prints.

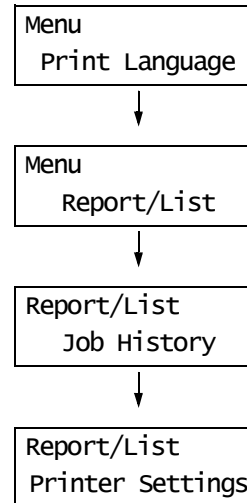
Printing a Report/List

The reports/lists can be printed using the control panel. The following shows how to print the [Printer Settings] list. The procedure is the same also for other reports/lists.

Note

- The reports/lists are printed on A4 size paper.

1. Press the <Menu> button to display the Menu screen
2. Press the <▼> button until [Report/List] is displayed.
3. Press the <▶> button to accept the selection. [Job History] is displayed.
4. Press the <▼> button until [Printer Settings] is displayed.
5. Press the <Eject/Set> button to print the report. The report is printed.

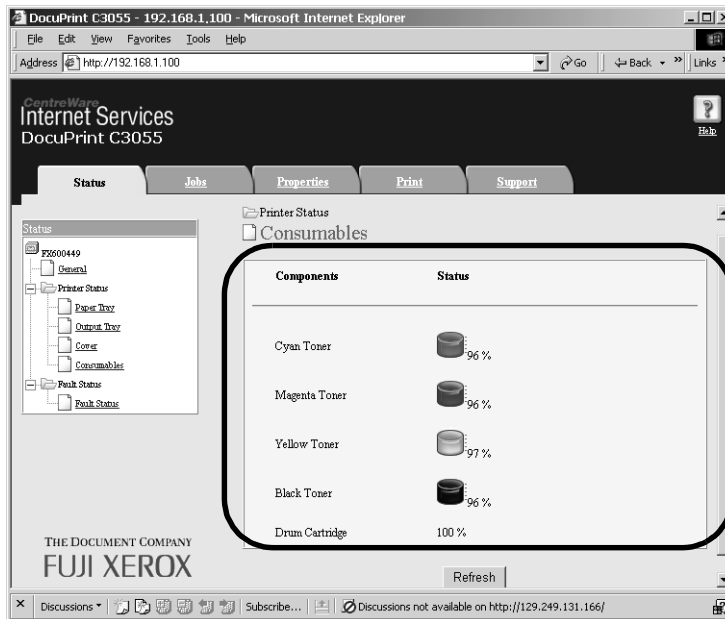


7.3 Monitoring/Managing the Printer on a Web Browser

When your printer is installed in a TCP/IP environment, you can monitor or remotely configure the printer using a web browser on a networked computer.

This feature is called CentreWare Internet Services.

CentreWare Internet Services can be used also to check the status of consumables and the paper levels of the paper trays.



Note

- For information on how to use CentreWare Internet Services, refer to "Configuring the Printer Using CentreWare Internet Services" (P. 28).
- CentreWare Internet Services cannot be used when using the printer as a local printer. For information on how to monitor your printer when it is local, refer to "Checking the Printer Status via SimpleMonitor" (P. 175).

7.4 Checking the Printer Status via SimpleMonitor

SimpleMonitor is a tool that allows you to check the status of print jobs when your printer is local or when it is connected to an LPD port.

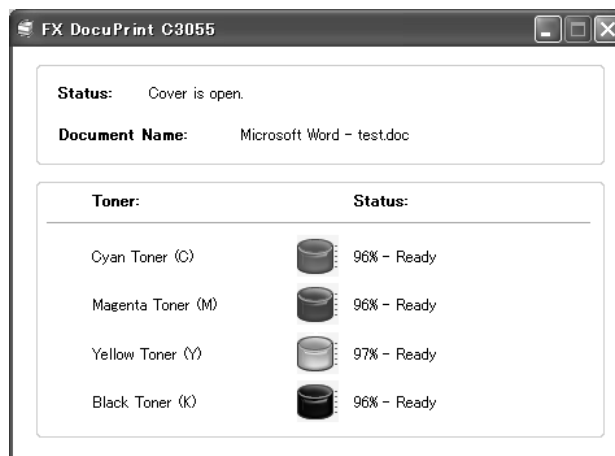
This tool runs on Windows operating systems and can be installed from the CD-ROM of the Driver CD Kit included with the printer.

Note

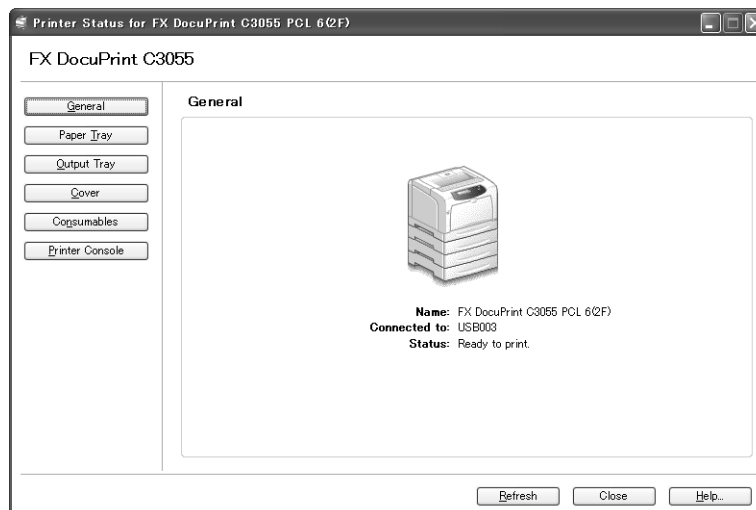
- For information on how to install SimpleMonitor, refer to the 'CD-ROM Documentation (HTML)' on the CD-ROM of the Driver CD Kit.

SimpleMonitor can perform the following:

- If an error occurs while processing a print job, SimpleMonitor displays a window on your computer informing you of the error.



- SimpleMonitor displays the following window that shows the sizes and the amount of paper loaded in the paper trays, the status of the output tray, and the remaining life of the toner cartridges and drum cartridge (only when your printer is a local printer).



Note

- If your printer is networked, you can check its status by accessing CentreWare Internet Services from SimpleMonitor.
- For more information about SimpleMonitor, refer to the online help provided for SimpleMonitor.

7.5 Checking the Printer Status via E-mail

If your printer is networked and set up for e-mail and TCP/IP communication, you can perform the following.

This feature is called "StatusMessenger".

- If you send the printer an e-mail asking for the its status, the printer sends you the information by e-mail.

Example of e-mail from the printer

```
Subject : Re: test1
From : printer1@example.com
To : user1 < user1@example.com >

[Printer status]
- Ready.

[Network Information]
{Network}
F/W Version      : 8.06
Ethernet Address  : 08:00:37:11:22:33
Ethernet Settings : 10Base-T Half(AUTO)
TCP/IP Settings  : Manual
```

- The printer can send e-mail notification of errors (paper jams, consumable status, etc.) to the specified e-mail addresses. The recipients can periodically track the status of the toner cartridges and drum cartridge and can be aware of exactly when to replace them. The recipient of this notification should be your network administrator or an shared e-mail address.

Example of e-mail from the printer

```
Subject : Status Message
From : printer1@example.com
To : user2 <user2@example.com>

[Status Message]
- Drum cartridge needs to be replaced soon.
```


Setting the StatusMessenger Feature

To use the StatusMessenger feature, you must configure the network and e-mail environments of the printer. Ask your network administrator to find out if the following settings have been configured.

Network Environment

- Create an e-mail account

E-mail Environment (Printer)

Use CentreWare Internet Services to configure ports, an e-mail server, and the printer's e-mail address.

Set the following items under [Properties] in accordance with your e-mail environment.

Note

- After changing the settings, make sure to click [Apply] and reboot the printer.
- For details on each menu item, refer to the online help for CentreWare Internet Services.

Page	Setting Item	Description
Port Status	StatusMessenger	Select [Enabled].
Protocol Settings > E-mail	Machine's E-mail Address, SMTP Server Address, SMTP Server Port Number, E-mail Send Authentication, Login Name (SMTP), Password (SMTP), POP3 Server Address, POP3 Server Port Number, Login Name (POP3), Password (POP3), POP3 Server Check Interval, APOP Settings	Configure the settings required for the printer to send/receive e-mails. Refer to "E-mail Environment (Printer)" (P. 177) for more information.
	Permitted E-mail Address	If controlling e-mail reception, set the e-mail addresses of users who are permitted to send e-mails to the printer. If you do not specify addresses, the printer will accept e-mails from all users.
	Password	When requiring users to enter a password when sending e-mails to the printer, select the [Use Password] check box for [Password for Read-Only Data] and enter the password.
Protocol Settings > StatusMessenger	Recipient's E-mail Address 1 - 2	Set the e-mail addresses of users who will be notified of changes in the printer's status (such as errors). You can set up to two e-mail addresses.
	Notification Items	Select the items you want to be notified of. <ul style="list-style-type: none"> • Consumables Status • Paper Jam Status • Printer Booting • Login Error • Items other than the above

Checking the Printer Status via E-mail

Follow these guidelines when sending an e-mail to the printer.

- Use the e-mail application on your computer and enter the printer's e-mail address in the "To:" field.
- The subject can be whatever you like.
- Enter the following commands observing the rules described below.

Note

- The method of sending e-mails varies depending on the application being used. Consult the documentation for your e-mail application.

■ Supported Commands

Command	Parameter	Description
#Password	Password	When [Password for Read-Only Data] is set, make sure to start your e-mail with this command. When the password is not set, you do not need to enter this command.
#NetworkInfo	-	Specify this command when you want to obtain the network setting information.
#Status	-	Specify this command when you want to obtain the printer's status.

■ Command Entry Rules

Follow these guidelines when entering commands on e-mails.

- Commands are not case sensitive.
- If [Password for Read-Only Data] is set, start your e-mail with "#Password".
- Prefix each command with "#". Command that does not start with "#" will be ignored.
- Place only one command per line and separate each command or parameter with a space or a tab.
- When the same command is entered more than one time in one e-mail, only the first one will be valid and the rest will be ignored.

■ Example

1. If you want to obtain the printer's status when [Password for Read-Only Data] is not set, enter:

```
#Status
```

2. If you want to obtain the printer's status and network setting information when [Password for Read-Only Data] is set to "ronly", enter:

```
#Password      ronly
#Status
#NetworkInfo
```

7.6 Security Features

This section explains various security features of the printer and how to configure them. The information in this section is intended for the system administrator of the printer. For details on each feature, refer to the reference pages in the following table.

Feature	Description	Refer to
SSL data encryption for HTTP communication	<p>When sending data to your printer over a network, the transmission can be encrypted using SSL.</p> <p>Note</p> <ul style="list-style-type: none">• To use this feature, the network expansion card (optional) must be installed.• This feature is not supported on the model available in China.	"SSL Data Encryption for HTTP Communication" (P. 179)
Secure Print	<p>When printing a confidential document or document that you do not want third parties to see, you can temporarily store the document in the printer and print it after entering a password on the control panel.</p> <p>Note</p> <ul style="list-style-type: none">• To use this feature, the hard disk (optional) must be installed.	"Printing Confidential Documents - Secure Print -" (P. 59)
Data reception control by IP address	Data reception on the printer can be controlled by registering the IP address of computers that are permitted to send data.	"[IP Filter]" (P. 112) or "Controlling Data Reception by IP Address" (P. 184)
Control panel lock	The user access to the control panel can be controlled using a password.	"[Panel Settings]" (P. 115)
User access control by the Authentication feature	Print requests from computers can be controlled using the printer's Authentication feature.	"Authentication and Auditron Administration Features" (P. 188)

SSL Data Encryption for HTTP Communication

This feature is not supported on the model available in China.

If the network expansion card (optional) is installed, enabling SSL/TLS server communication allows you to encrypt HTTP communication between the printer and clients over a network.

There are two ports that support HTTP communication: internet service port and IPP port.

This feature allows you to encrypt information exchanged between the printer and CentreWare Internet Services and print data sent to the printer using an IPP port.

To encrypt data transmission, you must use SSL/TLS protocol. To encode encrypted data, a certificate for SSL/TLS is required.

A certificate can be created using CentreWare Internet Services.

To Enable Data Encryption

The following explains how to create a certificate on CentreWare Internet Services and set various settings required to enable data encryption. For more information, refer to the online help provided for CentreWare Internet Services.

Note

- If you install the network expansion card (optional) used on this printer to another printer, the certificate created for this printer will be deleted and the settings for SSL/TLS server communication will become invalid. If using the network expansion card on another printer, create a certificate again for the new printer.

1. Launch your web browser and access CentreWare Internet Services.

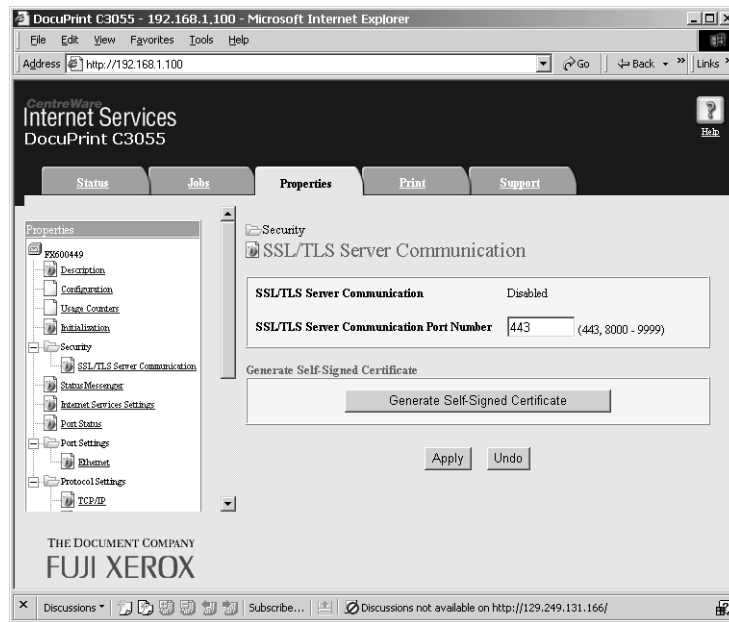
Note

- For information on how to access CentreWare Internet Services, refer to "Configuring the Printer Using CentreWare Internet Services" (P. 28).

2. Click the [Properties] tab.

3. From the menu displayed on the left, click [SSL/TLS Server Communication] under [Security].

The [SSL/TLS Server Communication] page is displayed.



4. Click [Generate Self-Signed Certificate] to create a certificate.

5. A window that prompts you to enter a user ID and password appears. Enter your user ID and password and click [OK].

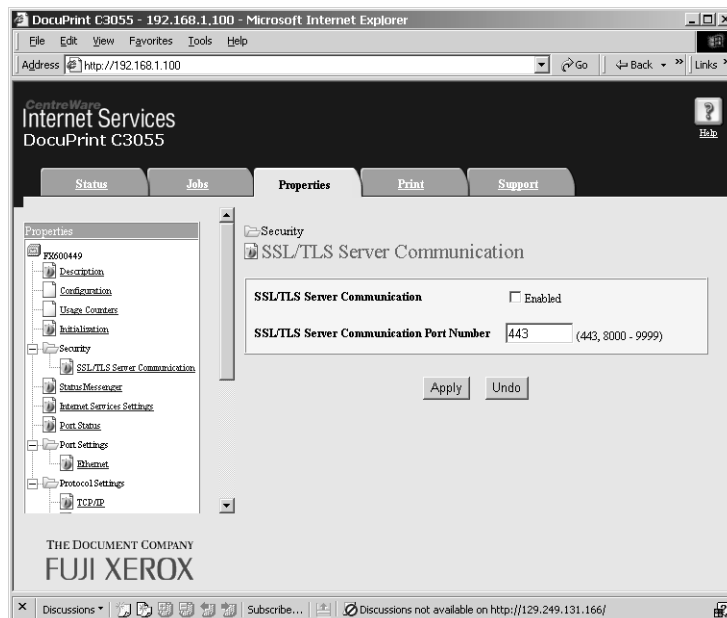
Note

- The default user ID and password are "11111" and "x-admin", respectively.

- On the displayed page, set [Public Key Size] and click the [Generate Certificate] button.



- A page that allows you to reboot the printer is displayed. On the page, click the [Reboot Machine] button.
- After rebooting the printer, refresh your browser window.
- From the menu on the left, click [SSL/TLS Server Communication] again and display the [SSL/TLS Server Communication] page.
- Select the [Enabled] check box for [SSL/TLS Server Communication].



11. Set [SSL/TLS Server Communication Port Number].

Note

- The SSL/TLS port number should not be the same as the HTTP port number.

12. Click the [Apply] button and reboot the printer.

Accessing CentreWare Internet Services when Data Encryption is Enabled

When data encryption is enabled, enter "https" instead of "http" before the address when accessing CentreWare Internet Services.

- Example of IP address

https://192.168.1.100/

- Example of internet address

https://xxx.yyyy.zz.vvv/

Note

- If you reboot CentreWare Internet Services, [Certificate Management] appears on the [Properties] tab. On the [Certificate Management] page, you can verify or delete certificates.
- If you changed the port number, enter a ":" (colon) and then the new port number after the address. Example: https://printer's IP address:port number/

Enabling Data Encryption

To encrypt print data sent to the printer, you must use an IPP port on the printer.

When the printer's IPP port is disabled (the default is [Disable]), refer to "Enabling Ports" (P. 27) and enable the port. Then, install a print driver on your computer and set the output port to IPP.

The following describes how to install a print driver on your computer.

The procedure uses Windows XP as an example.

Note

- For information on how to install a print driver on your computer, refer to the 'CD-ROM Documentation (HTML)' on the CD-ROM of the Driver CD Kit.

1. From the Windows [Start] menu, select [Printers and Faxes].
2. From [Printer Tasks], select [Add a printer].
3. In the [Add a Print Wizard] window, click [Next].
4. Select [A network printer, or a printer attached to another computer], and then click [Next].

5. Select [Connect to a printer on the Internet or on a home or office network], and then enter the following URL into [URL]:
https://IP_Address/ipp/
(where IP_Address is the IP address of the printer).
Click [Next].



6. Click [Have Disk].
7. In the dialog box displayed, enter the following path:
x:\Art_ex\Win2000_XP
(where x is the CD-ROM drive.)
Click [OK].
8. Select the print driver, and then click [OK].
9. Set whether to use this printer as the default printer by selecting [Yes] or [No], and then click [Next].
10. Click [finish] to finish the setting.

Controlling Data Reception by IP Address

When the printer uses an LPD port or Port9100 port, the printer can deny or accept data from certain IP addresses. The following explains how to set this feature using CentreWare Internet Services.

Note

- To set this feature on the control panel, refer to "[IP Filter]" (P. 112).
- This feature can be used only when the printer uses LPD or Port9100.

1. Launch your web browser and access CentreWare Internet Services.

Note

- For information on how to access CentreWare Internet Services, refer to "Configuring the Printer Using CentreWare Internet Services" (P. 28).

2. Click the [Properties] tab.
3. From the menu on the left, click [Protocol Settings] and then [LPD] or [Port9100].
4. Click [IP Filter].
5. Enter the IP addresses/address masks you want to control access from and select the type of access ([Reject], [Permit], or [Off]). The IP addresses/address masks should be series of four numbers between 0 and 255. The current value is indicated with an asterisk (*).
6. When you are finished with the setting, click the [Apply] button located at the bottom of the right frame and reboot the printer.

Note

- If you do not want to apply your new settings and want to reset them to the original values, click [Undo].
- When you are prompted to enter the administrator's ID and password, enter the ID and password and click [OK].

■ Examples of IP Filter Setting

You can set a maximum of five IP addresses/address masks, and the first pair will have a priority. If entering multiple addresses, enter the address that covers the smallest area first.

1. To permit printing from a specific user:
Example:
Permit printing from "192.168.100.10"

Access List	IP Address	Address Mask	Operation Mode						
1	192	168	100	10	255	255	255	255	Permit
2	0	0	0	0	0	0	0	0	*Off
3	0	0	0	0	0	0	0	0	*Off
4	0	0	0	0	0	0	0	0	*Off
5	0	0	0	0	0	0	0	0	*Off

Hosts that are not in the list will be rejected.

- To reject printing from a specific user:
Example:
Reject printing from "192.168.100.50"

Access List	IP Address	Address Mask	Operation Mode						
1	192	168	100	50	255	255	255	255	Reject
2	0	0	0	0	0	0	0	0	Permit
3	0	0	0	0	0	0	0	0	*Off
4	0	0	0	0	0	0	0	0	*Off
5	0	0	0	0	0	0	0	0	*Off

Hosts that are not in the list will be rejected.

- To permit printing from a specific network address, reject printing from a particular address within the network, but permit printing from a particular user within the rejected address:
Example:
(1) Permit printing from "192.168.200.10"
(2) Reject printing from "192.168.200.xxx" excluding (1)
(3) Permit printing from "192.168.xxx.xxx" excluding (2)

Access List	IP Address	Address Mask	Operation Mode						
1	192	168	200	10	255	255	255	255	Permit
2	192	168	200	0	255	255	255	0	Reject
3	192	168	0	0	255	255	0	0	Permit
4	0	0	0	0	0	0	0	0	*Off
5	0	0	0	0	0	0	0	0	*Off

Hosts that are not in the list will be rejected.

7.7 Checking the Meter Reading

The printer can count the number of printed pages/sheets by different categories such as output color and computer.

Checking the Meter Reading by Output Color (Meter)

The meter information can be checked for each output color. The total number of prints for each output color can be viewed on the control panel.

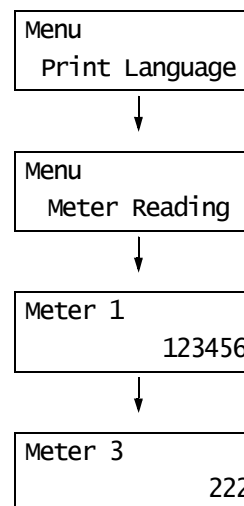
Meter 1	Displays the total number of color prints.
Meter 2	Displays the total number of monochrome prints.
Meter 3	Displays the total number of large-size color prints.
Meter 4	Displays the total of color and monochrome prints (Meter 1 + Meter 2).

Note

- The meter 3 displays the number of color prints on paper 297 mm x 400 mm or larger. The number of prints counted by the meter 3 is included in the counts of the meter 1.
- If you print a job that was color-converted using ICC profile or other tool when [Output Color] is set to [Color (Auto)], the job will be printed in color even if it looks monochrome on your monitor. In this case, the job will be counted by the meter 3 (color prints).
- If you print a job 2 sided, depending on the application being used and the print quantity setting, the application may insert a blank page into the job. In such case, the blank page is counted as "1 page" and will be included in the meter count.

Use the following procedure to check the meter reading on the control panel:

1. Press the <Menu> button on the control panel to display the menu screen.
2. Press the <▼> button until [Meter Reading] is displayed.
3. Press the <▶> button to accept the selection. [Meter 1] is displayed.
4. Press the <▲> or <▼> button to display the meter you want to check.
5. When you are finished checking the meter, press the <Menu> button to return to the print screen.



Checking the Meter Reading by Computer (Meter Report)

The [Meter Report] shows the number of printed page/sheets in both color and monochrome for each computer (job owner).

The [Meter Report] can be printed from the control panel.

Note

- When the Authentication and Auditron Administration features are enabled, you can print the [Auditron Report] instead of the [Meter Report].
- If you enable the Authentication and Auditron Administration features, the meter counts will reset to "0".

Refer to

- For information on how to print the [Meter Report], refer to "Printing the Reports/Lists" (P. 171).

Meter Report

The [Meter Report] lists the following items.

Job Owner Name	Pages							Sheets				
	Color						Black Total	Total	Color		Black Total	Total
	A3	A4	B4	B5	Others	Total			Total	Total		
User1	0	549	0	0	0	0	549	1	550	294	1	295
User2	1	0	0	0	0	0	1	1	2	1	1	2
User3	0	1	0	0	0	0	1	1	2	1	1	2
UnknownUser	0	0	1	0	0	0	1	2	3	1	2	3
Report/List	0	0	0	0	0	0	0	0	0	0	0	0
Total	1	550	1	0	0	0	552	5	557	297	5	302

Job Owner Name	Up to 200 owner names can be printed. The print count of the 201th job owner or a user without a job owner name will be listed under "UnknownUser" (second from the last row). The printing of this report is also counted in "Report /List" (the last row in the report).
Pages - Color A3	Total number of pages printed in color on A3 size paper.
Pages - Color A4	Total number of pages printed in color on A4 size paper.
Pages - Color B4	Total number of pages printed in color in B4 size paper.
Pages - Color B5	Total number of pages printed in color on B5 size paper.
Pages - Color Others	Total number of pages printed in color on paper other than the above.
Pages - Color Total	Total number of page printed in color.
Pages - Black Total	Total number of pages printed in monochrome.
Pages - Total	Total number of pages printed. Printed pages are counted after every print job.
Sheets - Color Total	Total number of sheets printed in color.
Sheets - Black Total	Total number of sheets printed in monochrome.
Sheets - Total	Total number of sheets printed. Printed sheets are counted after every print job.

7.8 Authentication and Auditron Administration Features

The printer provides the Authentication and Auditron Administration features. The Authentication feature controls access to the printer's features. Whereas the Auditron Administration feature manages the use of each printer's feature.

This section briefly explains the overview of the Authentication and Auditron Administration features and the settings required for both features. The information in this section is intended for system administrators.

Overview of the Authentication and Auditron Administration Features

Enabling the Authentication and Auditron Administration features allows you to limit user access to the printer and manage and count the number of sheets printed by each user.

Restricted Features

The Authentication and Auditron Administration features control the use of the following features.

■ Printing from Computers

Depending on the type of your print job, the use of the following features are restricted.

Job Type	Restricted Features
Printing using a print driver	You must set the login information such as your user ID and password on your print driver. Only jobs with login information that matches the information registered on the printer can be printed. When you are prohibited to print in colors, you can only print in monochrome. When you are only permitted to print certain number of pages, you are not allowed to print if the number has reached the maximum.
Printing without using a print driver (when, using emulation, such as ESC/P, the E-mail Print feature, or Contents-Bridge Utility)	You are allowed to print only when the [Non-account Print] setting on CentreWare Internet Services is set to [Enabled]. This setting is disabled by default.

Auditron Administration Feature

When the Authentication and Auditron Administration features are enabled, you can print the [Auditron Report] instead of the [Meter Report].

The [Auditron Report] lists the number of monochrome and color pages /sheets printed to date by each user.

Note

- The meter counts listed on this report is those from the time when the Authentication and Auditron Administration features were enabled.
Disabling the Authentication and Auditron Administration features initializes the meter counts.

Refer to

- For information on how to print the [Auditron Report], refer "Printing the Reports/Lists" (P. 171).

User ID	User Name	Account Limit		Total Impressions		Total Sheets
		Black	Color	Black	Color	
1	User01	9999000	999900	0	0	0
2	User01	1000	Disabled	0	0	0
Report/List				150	0	150
Total				150	0	150

Configuring the Authentication and Auditron Administration Features

Enabling User Authentication

To enable the Authentication feature, set [Admin Menu] > [System Settings] > [Print Auditron] to [On] on the control panel, or set [Print Auditron] to [Enabled] on CentreWare Internet Services.

Then, on CentreWare Internet Services, register the login information of users who are granted access to the printer. The printer accepts or denies access based on the user IDs and passwords registered on CentreWare Internet Services.

Registering Login Information on the Printer

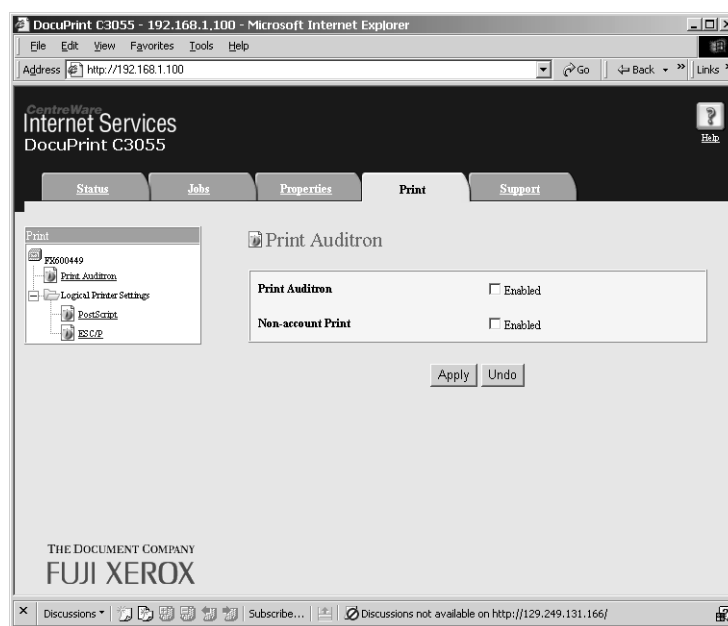
The following briefly explains how to enable the Authentication feature on CentreWare Internet Services and register users who are permitted to use the printer. For details about each setting item, refer to the online help for CentreWare Internet Services.

1. Launch your web browser and access CentreWare Internet Services.

Note

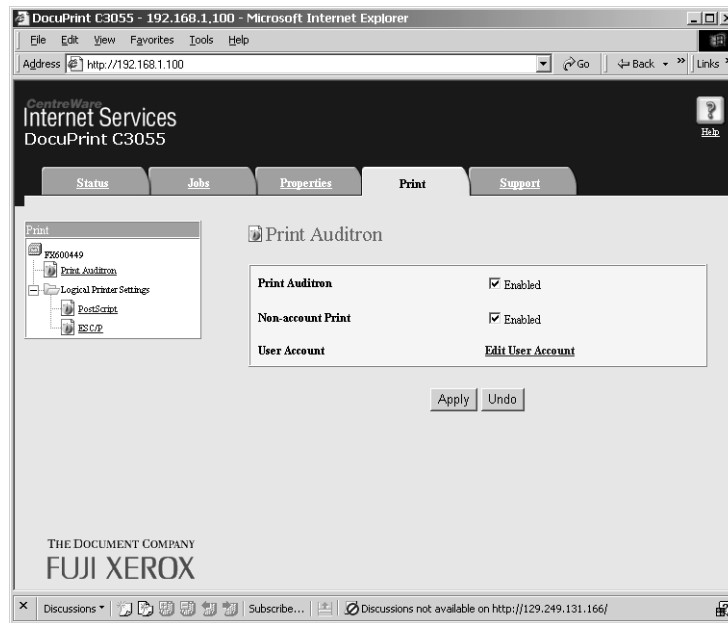
- For information on how to access CentreWare Internet Services, refer to "Configuring the Printer Using CentreWare Internet Services" (P. 28).
- If you are prompted to enter the administrator's ID and password, enter the ID and password and click [OK].

2. Click the [Print] tab.
The [Print Auditron] screen is displayed.

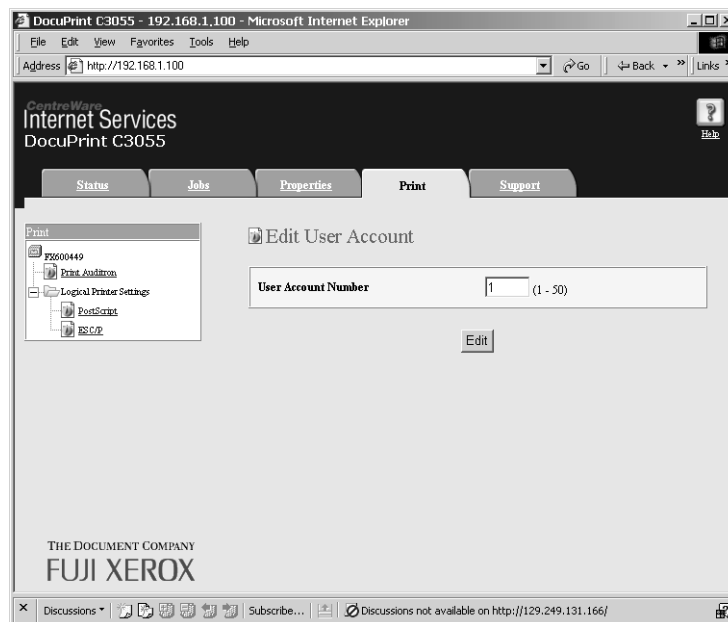


3. Select the [Enabled] check box under [Print Auditron].
4. When you want to permit printing without using a print driver, select the [Enable] check box under [Non-account Print].
5. Click [Apply].
6. A window that prompts you to reboot the printer appears. On the window, click [Reboot Machine].
7. When the printer is rebooted, refresh the web browser.

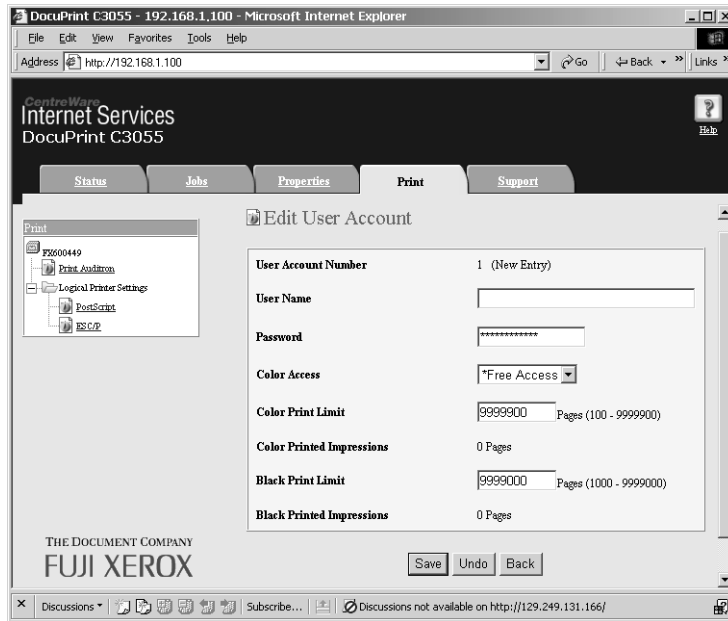
- Verify that [User Account] is displayed on the [Print Auditor] page.



- Click [Edit User Account].
- On the [Edit User Account] page, enter [User Account Number] and click [Edit].



11. On the displayed page, enter each field and click [Save].



Note

- The user ID and password set on this page will be used also on your print driver.

12. If registering more than one user, click the [back] button and repeat Steps 10 and 11.

Registering the Login Information on the Print Driver (Computer)

Configure the following settings under the Properties dialog box on your print driver. The printer will not print unless the user ID and password entered on your print driver match those registered on the printer. The following procedure explains how to set the login information on your print driver.

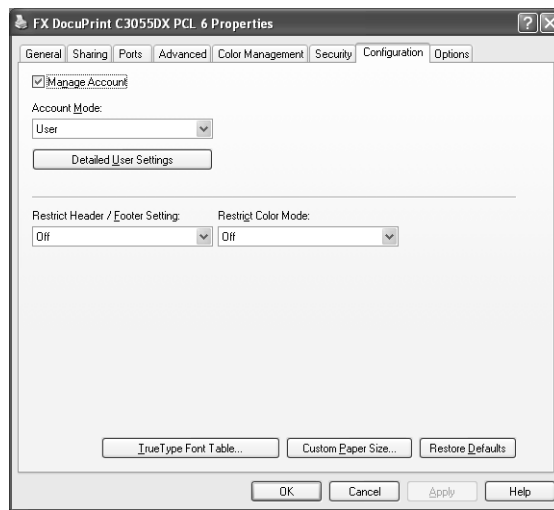
The procedure uses Windows XP as an example.

Note

- For information on each setting item on your print driver, refer to the online help provided for the print driver.

1. From the Windows [Start] menu, select [Printers and Faxes].
2. Select to highlight the printer and then select [Properties] from the [File] menu.

3. On the [Configuration] tab, click [Detailed User Settings] to display the [Detailed User Settings] dialog box.



4. Set each item, and then click [OK] to close the dialog box.



5. Click [OK] to close the Properties dialog box.

7.9 Adjusting Color Density

When colors look off, adjust the color density by performing color calibration.

Color calibration allows you to maintain the consistency of print quality.

To perform color calibration, print the Calibration Chart from the printer, compare the chart with the supplied "Color Sample for gray level correction" (hereinafter referred to as "Color Sample") to determine the correct density, and enter the value on the printer using the control panel.

By performing the calibration, you can adjust the tones of all process colors (cyan, magenta, yellow, and black) in areas of high, middle, and low density.

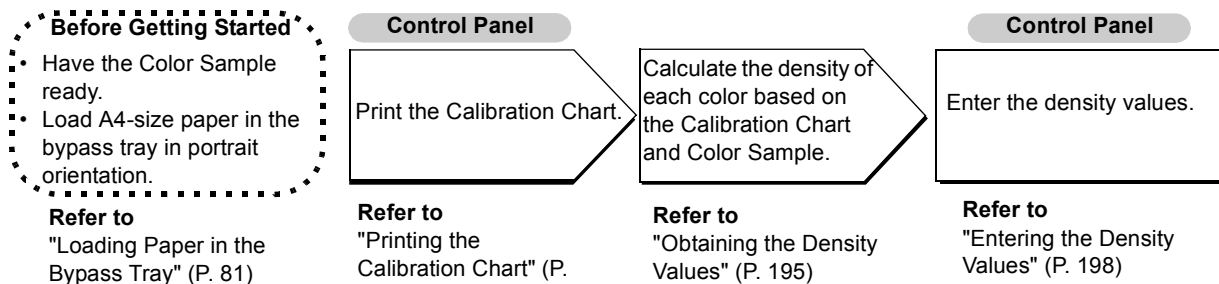
If you want to return the values of all colors to defaults, set all values to "0". Setting the values to "0" disables the color calibration during printing.

Note

- If color calibration does not help to maintain the color consistency, contact our Customer Support Center or your dealers.
- Setting the density values to "0" does not always provide the print quality of the printer right after you purchased it. Using the printer for an extended period of time can cause print quality to change, affected by factors such as the deterioration of the printer, change in the installation environment, and the number of printed sheets to date.

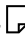
Calibration Procedure

The following is the basic procedure for color calibration.

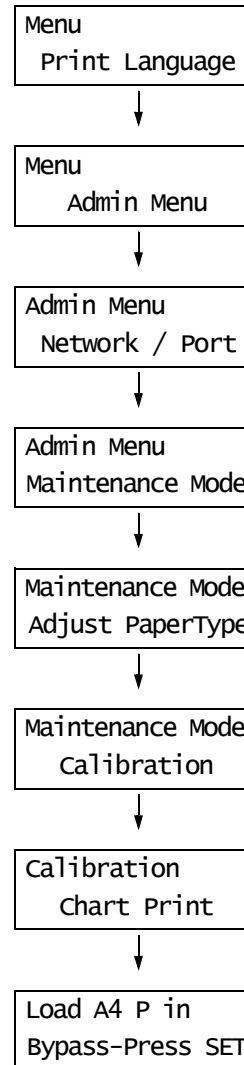


Performing Calibration

Printing the Calibration Chart

The Calibration Chart can be printed from the bypass tray on A4  paper.

1. Press the <Menu> button on the control panel to display the menu screen.
2. Press the <▼> button until [Admin Menu] is displayed.
3. Press the <▶> button to accept the selection. [Network/Port] is displayed.
4. Press the <▼> button until [Maintenance Mode] is displayed.
5. Press the <▶> button to accept the selection. [Adjust Paper Type] is displayed.
6. Press the <▼> button until [Calibration] is displayed.
7. Press the <▶> button to accept the selection. [Chart Print] is displayed.
8. Press the <Eject/Set> button to confirm your selection. The page shown on the right is displayed.
9. Load A4 paper in portrait orientation into the bypass tray and press the <Eject/Set> button to start printing.



Obtaining the Density Values

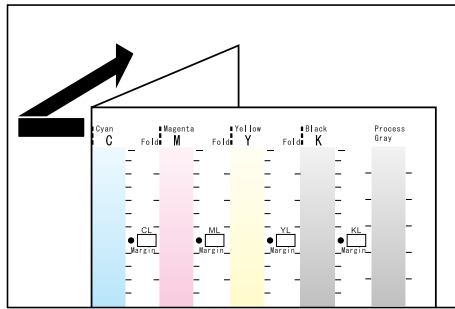
The density values are calculated by comparing the Calibration Chart to the Color Sample. Decide which blocks on the Calibration Chart most closely matches the density of the Color Sample. Make a note of the value (-6 to +6) for each color.

When obtaining the density values, use also the instructions provided on the Color Sample.

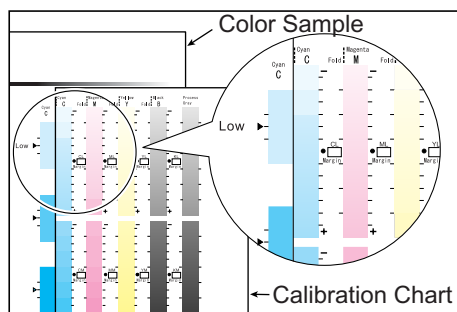
Note

- By default, the density values of all colors are set to "0".

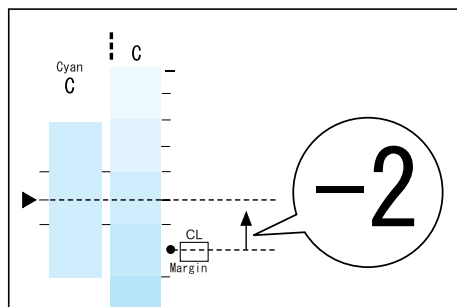
1. Fold the Calibration Chart along the guide (dotted line) of the color to be adjusted.



2. Align the density area to be adjusted on the Calibration Chart with that on the Color Sample.
(Example: low density (L); when adjusting the low density area, align the "Low" on the Calibration Chart with the "Low" on the Color Sample.)

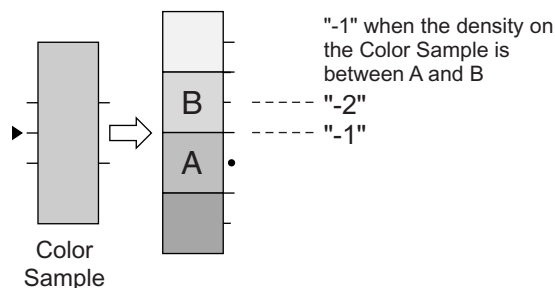


3. Adjust the position of the Calibration Chart so that the [▶] mark on the Color Sample is aligned with the same density area on the chart.
When the Calibration Chart and Color Sample are positioned properly, read the scale to determine the margin between the [•] on the chart and the [▶] on the sample.



Note

- Be careful not to mistake the plus (+) and minus (-) directions when reading the scale.
- When a color on the Color Sample is between two colors on the Calibration Chart, the scale between the two colors (-1 in the following example) will be the value.



4. Enter the margin in the appropriate [Margin] box.
5. Obtain the margin for the other two density areas.
6. Repeat Steps 1 to 5 to obtain the density margins for the rest of the colors.
7. After entering the density margins of all colors, enter the values in the appropriate [Margin] boxes under [Computation Table]. (Example: cyan)

DocuPrint C3055

Calibration Chart

Compare this chart with the Color Sample and perform color correction accordingly.

Computation Table

	Current Value	Margin	Adjustment Value
L	0	+	=
C	0	+	=
M	0	+	=
Y	0	+	=
K	0	+	=

Note:
The range of an adjustment value is +6 to -6.

100%
C M
Y K

8. Determine the values based on the equations and enter the values in [Adjustment Value].

Note

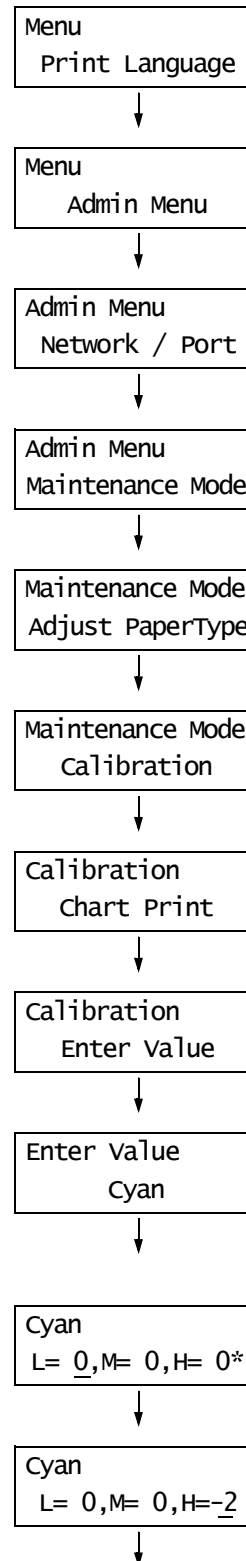
- The values entered at the last calibration are displayed under [Current Value].

Entering the Density Values

Set the values entered in [Adjustment Value] on the Calibration Chart using the control panel.

The following shows how to set the high density cyan to "-2".

1. Press the <Menu> button on the control panel to display the menu screen.
2. Press the <▼> button until [Admin Menu] is displayed.
3. Press the <▶> button to accept the selection. [Network/Port] is displayed.
4. Press the <▼> button until [Maintenance Mode] is displayed.
5. Press the <▶> button to accept the selection. [Adjust Paper Type] is displayed.
6. Press the <▼> button until [Calibration] is displayed.
7. Press the <▶> button to accept the selection. [Chart Print] is displayed.
8. Press the <▼> button to display [Enter Values].
9. Press the <▶> button to accept the selection. [Cyan] is displayed.
10. Press the <Eject/Set> button. A screen that allows you to enter the adjustment value is displayed.
11. Scroll each field (L: low density; M: middle density; H: high density) by pressing the <▶> button and enter the values using the <▲> and <▼> buttons. (Example: H=-2)



Note

- The density values can be entered within the range of -6 to 6.

12. After entering the values, press the <Eject/ Set> button to confirm your entry.
13. When adjusting the density of other colors, return to Step 9 by pressing the <◀> button and repeat the same steps.
14. When you are finished with the settings, press the <Menu> button to return to the print screen.

Cyan
L= 0,M= 0,H=-2*

After changing the density settings for all colors, reprint the Calibration Chart using the procedure in "Printing the Calibration Chart" (P. 195).

If the result is not satisfactory, perform the calibration again.

[Process Gray] is gray made by mixing CMY toners. If the calibration was a success, the process gray should be close to black.

If either one of colors in CMY is stronger than the other two, perform calibration again for that color.

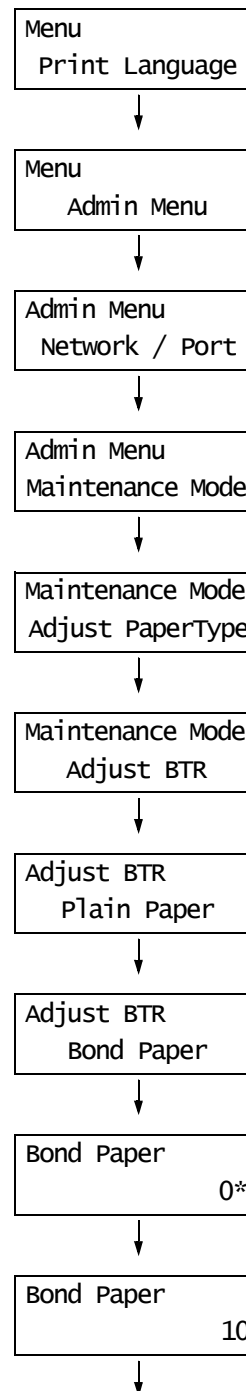
7.10 Adjusting the Image Transfer Voltage

If the following problems occur frequently, the image transfer voltage may not be appropriate. Complete the following steps to adjust the voltage.

- White patches appear on images (reduce the voltage)
- Toner scatters around images (increase the voltage)
- Overall images are bluish (increase the voltage)

The image transfer voltage can be adjusted for each paper type within the range of -30 to 30 in increments of 1. The default is "0".

1. Press the <Menu> button on the control panel to display the menu screen.
2. Press the <▼> button until [Admin Menu] is displayed.
3. Press the <▶> button to accept the selection. [Network/Port] is displayed.
4. Press the <▼> button until [Maintenance Mode] is displayed.
5. Press the <▶> button to accept the selection. [Adjust Paper Type] is displayed.
6. Press the <▼> button until [Adjust BTR] is displayed.
7. Press the <▶> button to accept the selection. A screen that allows you to set the paper type is displayed.
8. Press the <▼> button until the desired paper type is displayed. (Example: Bond Paper)
9. Press the <▶> button to accept the selection. The current setting is displayed.
10. Enter the new value using the <▲> or <▼> button. (Example:10)



11. Press the <Eject/Set> button to confirm your entry.

Bond Paper 10*

12. When adjusting the transfer voltage for other paper types, press the <◀> button to return to Step 8, and repeat the same steps.
13. When the setting is complete, press the <Menu> button to return to the print screen.

7.11 Cleaning the Printer

This section explains how to clean the printer to keep it in good condition and to ensure optimum print quality.

⚠ CAUTION

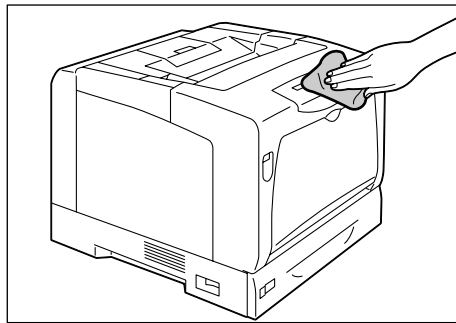
- Be sure to switch off and unplug the machine before accessing the interior of the machine for cleaning, maintenance, or fault clearance. Access to a live machine's interior can cause electric shocks.
-

Cleaning the Exterior

Clean the exterior of the printer monthly or more often if needed. To clean the exterior surfaces, wipe them with a soft, firmly wrung cloth moistened with water. Then, wipe off any excess water with a soft dry cloth. If dirt or smudges do not come off easily, gently wipe them off with a soft, firmly wrung cloth moistened with a small amount of neutral cleaner.

Important

- Do not spray cleaning agents directly on the printer. The fluid may seep through the cracks and cause problems. Do not use cleaning agents other than neutral cleaners.



Cleaning the Interior

After clearing paper jams or replacing the toner cartridges or drum cartridge, check and clean the interior of the printer before closing the cover.

⚠ CAUTION

- Never touch a labelled area found on or near the fuser unit. You can get burnt. If a sheet of paper is wrapped around the heat roller, do not try to remove it by yourself to avoid injuries or burns. Switch off the machine immediately, and contact our Customer Support Center or your dealers.
-
- Check for and remove any scraps of paper stuck in the printer.
 - If you see any dust or dirt, wipe it off with a soft dry cloth.

If you experience the following problems, clean the part of the printer indicated in the table.

Symptom	Cleaning Area	Refer to
White vertical patches appear on output.	Printer interior	"Cleaning Procedure" (P. 203)
Paper does not feed through (this happens when printing postcards with pre-printed pictures)	Feed rolls	"Cleaning the Feed Rolls" (P. 205)

Cleaning Procedure

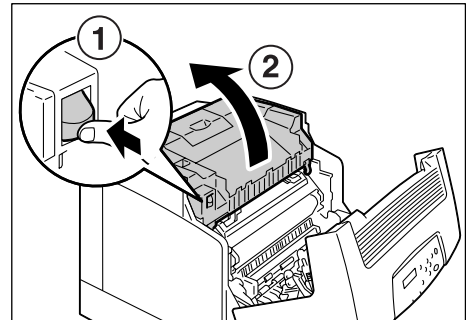
If you experience vertical patches on your output, clean the interior of the printer as instructed below:

1. If paper is loaded in the bypass tray, remove the paper and close the bypass tray cover.

Important

- When closing the bypass tray cover, be careful not to get your fingers caught between (the left or right edge of) the cover and the printer.

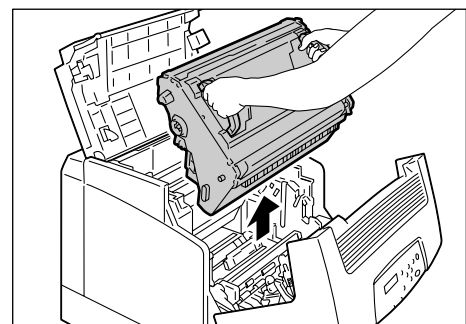
2. Push up the lever A and open the front cover.
3. Press the orange button shown in the figure and open the output tray cover.



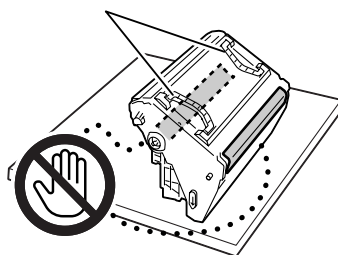
4. Hold the drum cartridge by the handles with both hands, and lift it straight up.

Important

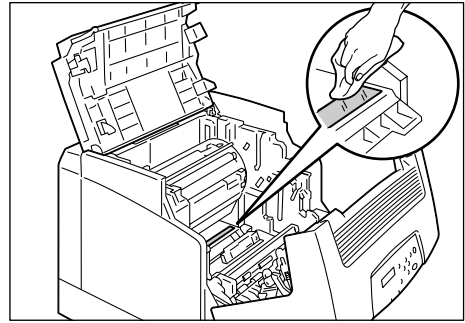
- After removing the drum cartridge, put it in a box or aluminium bag, or wrap it with a thick cloth to avoid strong light.
- When placing the drum cartridge on a table or on the floor, place the side with the handles facing up. Do not place the cartridge upright or upside down.



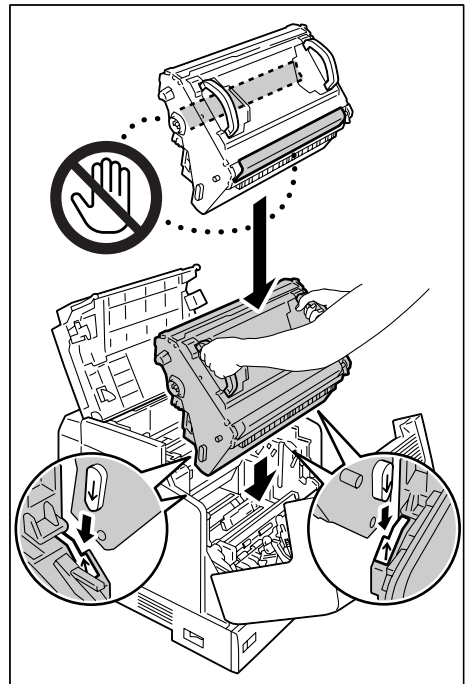
handles



5. Gently wipe the glass window at the back of the cartridge slot with a soft dry cloth.



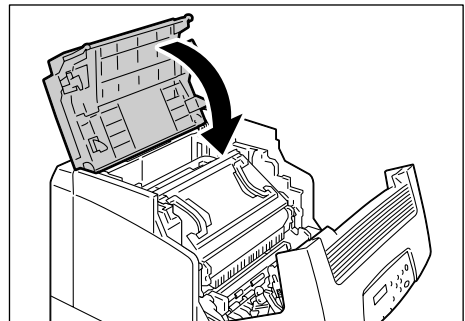
6. Hold the drum cartridge by the handles with both hands. Gently insert the drum cartridge in the printer, aligning the projections marked with arrows on both sides with the arrow labels on the printer.



7. Close the output tray cover.

Important

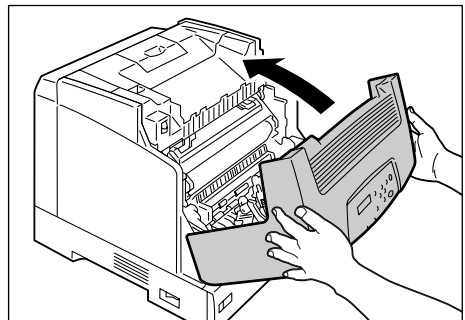
- When closing the output tray cover, be careful not to get your fingers caught between (the left or right edge of) the cover and the printer.



8. Close the front cover.

Important

- When closing the front cover, be careful not to get your fingers caught between (the left, right, top, or bottom edge of) the cover and the printer.

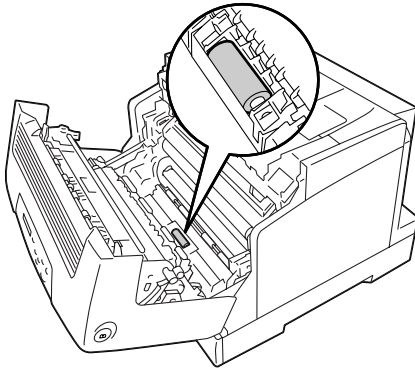


Cleaning the Feed Rolls

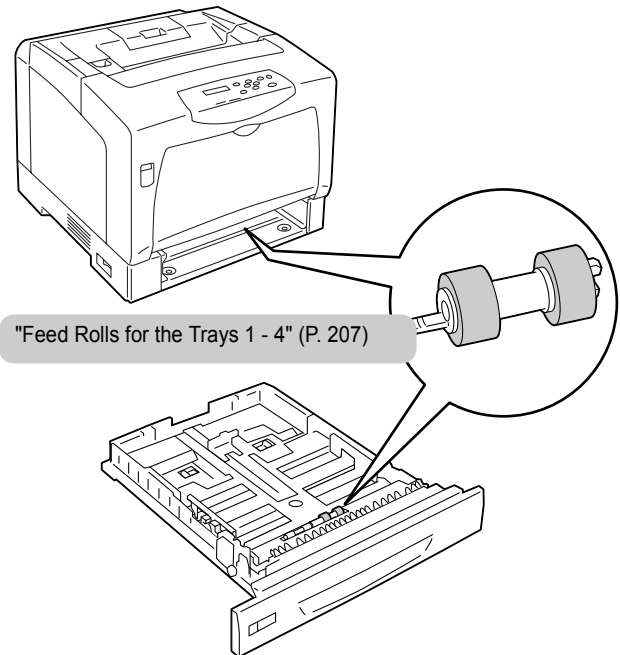
If you load postcards with pre-printed pictures, the anti set-off powder sticks to the feed rolls, preventing the postcards from being fed properly. If this happens, wipe the feed rolls thoroughly with soft, firmly wrung cloth moistened with water.

The feed rolls can be found in the following locations. Clean each feed roll according to the instructions provided for each location.

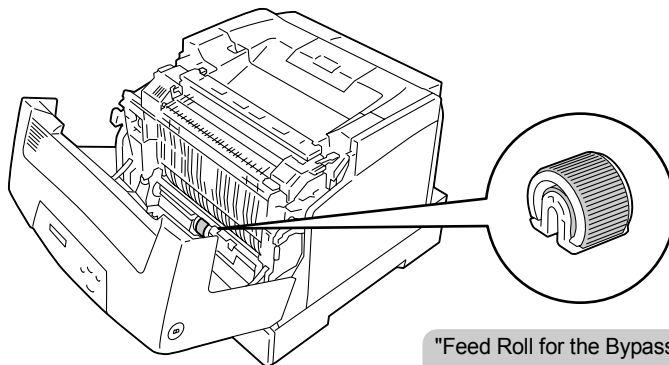
"Feed Roll Inside the Printer" (P. 206)



"Feed Rolls for the Trays 1 - 4" (P. 207)



"Feed Roll for the Bypass Tray" (P. 209)



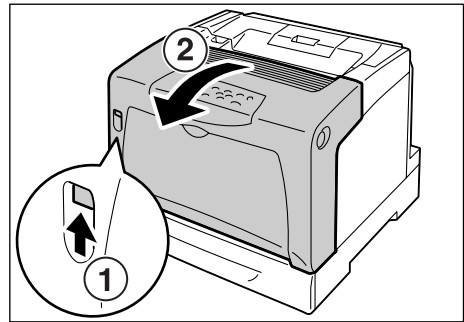
Feed Roll Inside the Printer

1. If paper is loaded in the bypass tray, remove the paper and close the bypass tray cover.

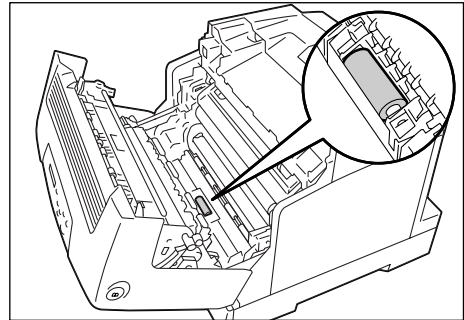
Important

- When closing the bypass tray cover, be careful not to get your fingers caught between (the left and right edge of) the cover and the printer.

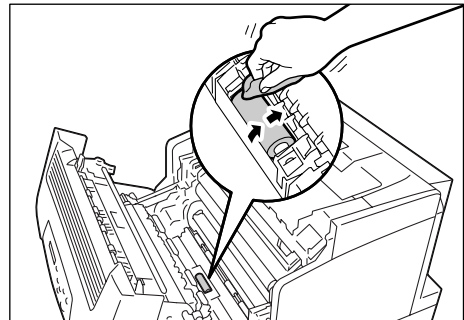
2. Push up the lever A and open the front cover.



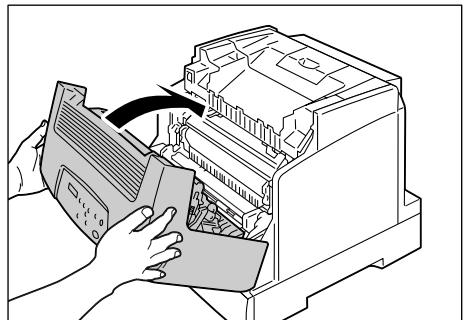
3. Identify the location of the feed roll.



4. While rotating the feed roll, wipe the rubber part with a soft, firmly wrung cloth moistened with water.



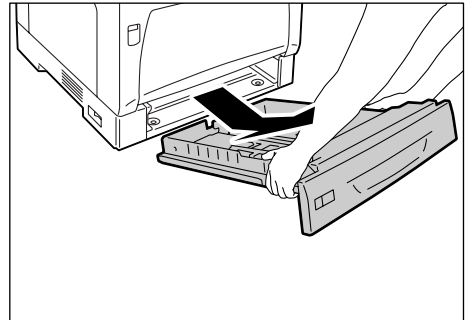
5. Close the front cover.



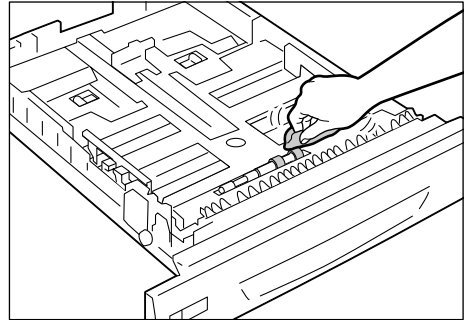
Feed Rolls for the Trays 1 - 4

The following explains how to clean the feed rolls for the tray 1. The procedure is the same for all trays.

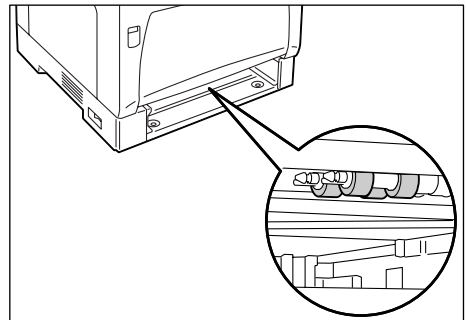
1. Pull out the tray until it stops. Hold the tray with both hands, lift it up slightly, and then pull it out completely.



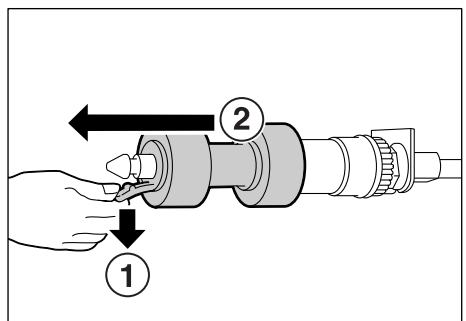
2. While rotating the feed roll, wipe the rubber part with a soft, firmly wrung cloth moistened with water.



3. Clean the feed rolls inside the printer. First, identify the location of the feed rolls. There are two orange feed rolls on the upper side of the tray slot.

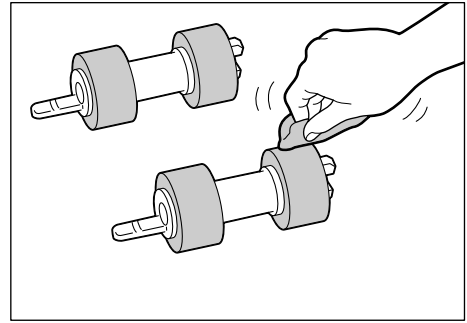


4. Remove the tab of the feed roll on the front shaft to unlock the feed roll, and pull the feed roll out of the shaft.

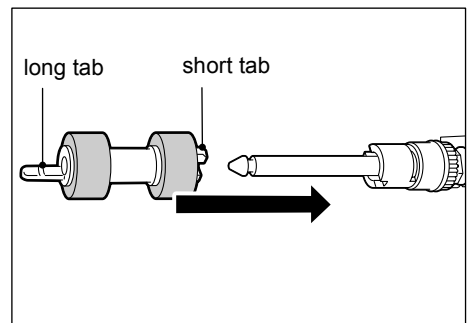


5. Remove the feed roll from the back shaft in the same manner.

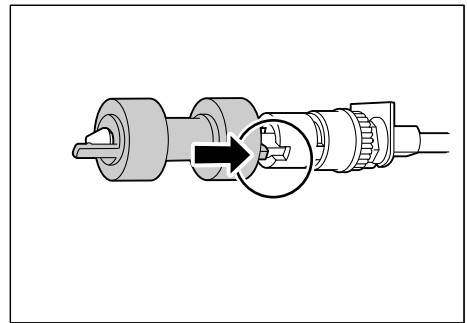
6. Wipe the rubber part of both feed rolls thoroughly with a soft, firmly wrung cloth moistened with water.



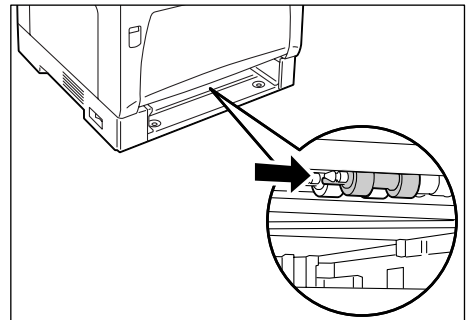
7. After cleaning the feed rolls, place them back on the printer. Place one of the feed rolls on the back shaft from the side with the short tab first.



8. Align the short tab of the feed roll with the indentation on the shaft, and push the feed roll firmly onto the shaft.



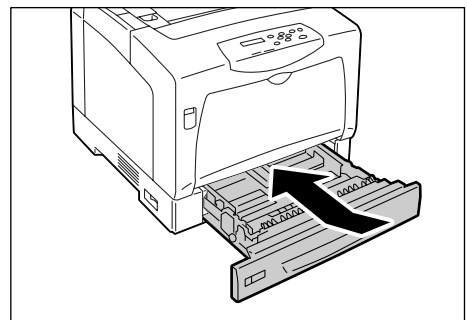
9. Place other feed roll back on the front shaft in the same manner.



10. Push the tray all the way into the printer.

Important

- When inserting the tray, be careful not to get your fingers caught between the tray and the printer or other tray (if the optional sheet feeders are installed).



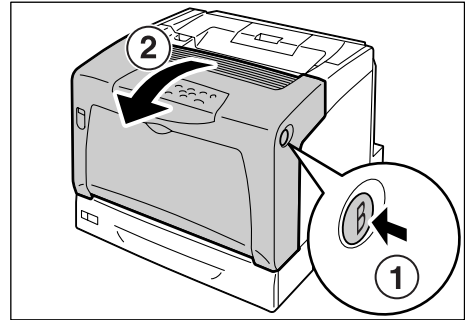
Feed Roll for the Bypass Tray

1. If paper is loaded in the bypass tray, remove the paper and close the bypass tray cover.

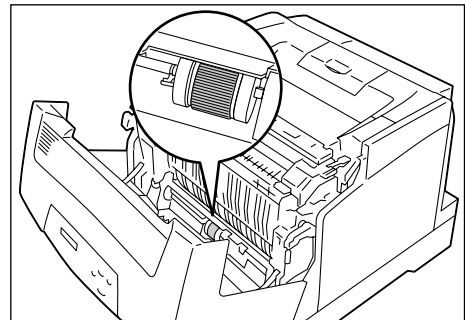
Important

- When closing the bypass tray cover, be careful not to get your fingers caught between (the left or right edge of) the cover and the printer.

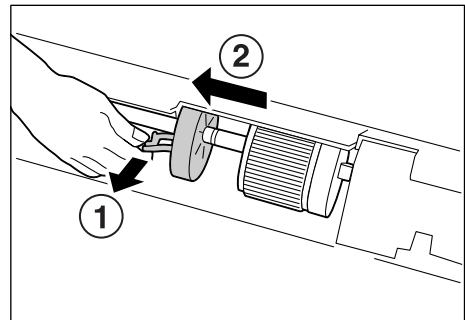
2. Press the button B and open the front cover.



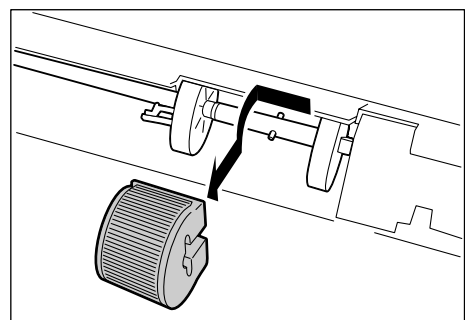
3. Identify the location of the feed roll in the printer.



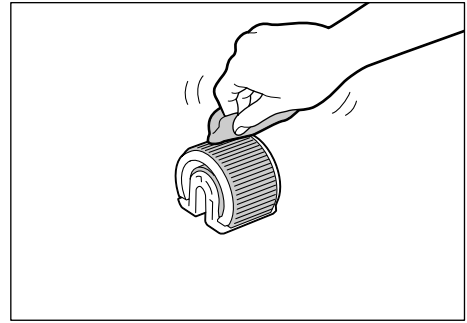
4. Remove the tab on the left side of the feed roll to unlock the feed roll, and slide only the white part to the left until it stops.



5. Slide the feed roll to the left toward the white part, rotate it 90 degrees to the front, and pull it out of the printer.



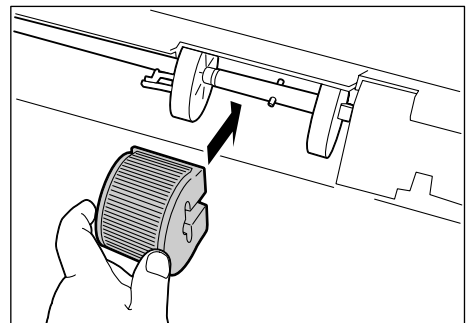
6. Wipe the feed roll with a soft, firmly wrung cloth moistened with water.



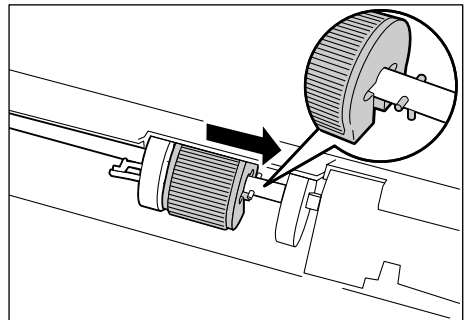
7. After cleaning the feed roll, place it back on the printer.
Hold the feed roll with the flat side to the right and push it horizontally onto the shaft.

Note

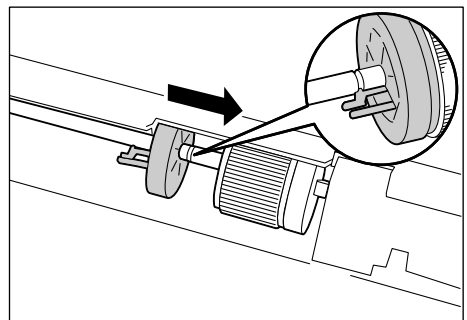
- The surface of the feed roll is flat on one side and jagged on the other side. Make sure to correctly orient the feed roll when placing it on the printer.



8. Rotate the feed roll 90 degrees to the back and slide it to the right so that the pins on the shaft fit into the indentations on the feed roll.



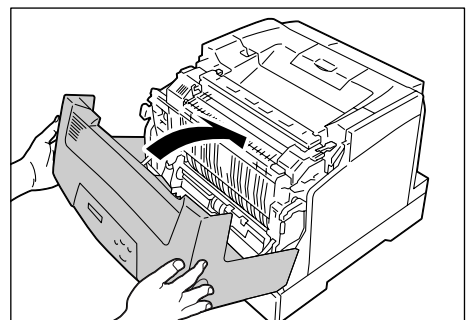
9. Slide the white part to the feed roll.
Slide it to the right until the tab on its left side is inserted into the indentation on the shaft.



10. Close the front cover.

Important

- When closing the front cover, be careful not to get your fingers caught between (the left, right, top, or bottom edge of) the cover and the printer.

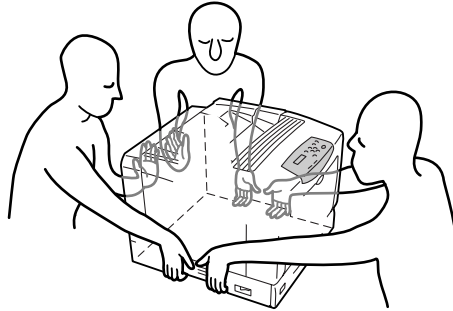


7.12 Moving the Printer

Use the following procedure when moving the printer.

CAUTION

- The machine (including the consumables) weighs 41.6 kg/42.6 kg (DocuPrint C3055/ DocuPrint C3055 DX). When moving the equipment, make sure that there are three or more persons carrying it.
- When lifting the machine, firmly grip the recessed areas on both sides of the machine with three or more persons. Lifting the machine by gripping any other areas can cause the machine to fall and result in injuries.



- When lifting the machine, get a firm footing and bend your knees to avoid possible injuries to your back.
-

Important

- If the optional sheet feeders are installed, remove them before moving the printer. If they are not securely installed, they may fall and cause injuries. For information on how to uninstall the sheet feeders, refer to the installation guide provided with the sheet feeders.

1. Remove the paper from the bypass tray, and close the bypass tray cover. Re-wrap the paper and store it away from dust and humidity.

Important

- When closing the bypass tray cover, be careful not to get your fingers caught between (the left or right edge of) the cover and the printer.

2. Use the [Replace Toner] setting on the control panel to remove all toner cartridges from the printer.

Important

- Do not touch the interior of the printer. Some parts may be hot.
- Make sure to remove the toner cartridges before moving the printer. Otherwise, the toner may spill in the printer.
- Do not shake the toner cartridges after removing them. The toner may spill.

Note

- For information on how to remove the toner cartridges, refer to "Replacing the Toner Cartridges" (P. 164).

3. Switch the power off by pressing the power switch located on the left side of the printer to the <O> position.

4. Unplug the power cord, interface cable, and all the other cables from the printer.
-

WARNING

- Never touch a power cord with wet hands. Danger of electric shock exists.
-

⚠ CAUTION

- When unplugging the machine, grasp the plug instead of the cord. Forcibly pulling on a cord can damage it and cause fire or electric shocks.
-

5. Push up the lever A and open the front cover. Press the orange button on the left to open the output tray cover.
6. Hold the drum cartridge by the handles with both hands, and lift it straight up.

Important

- Do not touch the interior of the printer. Some parts may be hot.
- Make sure to remove the drum cartridge before moving the printer. Otherwise, the toner may spill in the printer.
- After removing the drum cartridge out of the printer, avoid exposure to strong light by putting it in a box or bag or wrapping it with a thick cloth.

7. Close the output tray cover and then the front cover.

Important

- When closing the covers, be careful not to get your fingers caught between the covers and the printer.

8. Remove the tray out of the printer, and remove the paper in the tray. Re-wrap the paper and store it away from dust and humidity.
9. If the tray is extended, slide the right/left lock tabs in the tray outward to release the lock, and push the extended portion back into the tray.
10. Push the tray all the way into the printer.

Important

- When inserting the tray, be careful not to get your fingers caught between the tray and the printer.

11. Lift the printer and move it gently. If moving it over a long distance, pack it in a box.

Important

- When lifting the printer, make sure to follow the precautions stated in **⚠ CAUTION** (P. 211).

A Appendix

A.1 Main Specifications

Product Specifications

Item	Description
Type	Desktop
Printing method	Laser xerography Important * Semi-conductor laser + electrophotographic system
Fusing system	Heat roller (oil-less)
Warm-up Time	Less than 30 seconds (after powering on at 22 °C temperature)
Continuous print speed ^{*1}	Color 1 Sided : 8 sheets/min. ^{*2} 2 Sided : 8 pages/min. ^{*3} Monochrome 1 Sided : 35 sheets/min. ^{*4} 2 Sided : 24.5 pages/min. ^{*3} Important ^{*1} The print speed may decrease due to factors such as paper types, paper sizes, and print requirements of print jobs. The speed may decrease also when the printer is performing image quality adjustments. ^{*2} When continuously printing a single document of A4 size loaded in landscape orientation. ^{*3} When continuously printing multiple documents of A4 size loaded in landscape orientation. ^{*4} 31.5 sheets/min when printed from the tray 4 (optional).
Dot interval	0.0423 x 0.0423 mm (1/600 x 1/600 inches)
Tone/Color	256 tones/color (16.7 million colors)
Paper size	Bypass Tray: A3, B4, A4, B5, A5, 11 x 17" (Ledger), 8.5 x 14" (Legal), 8.5 x 13" (Legal), 8.5 x 11" (Letter), 7.25 x 10.5" (Executive), double postal card, postcard envelope (Youkei 2, Youkei 3, Youkei 4, Youchoukei 3, Choukei 3, COM-10, Monarch, DL, C5), custom size paper (width: 75 - 297 mm; length: 98 - 431.8 mm) Trays 1 - 4 (Trays 2 - 4 are optional): A3, B4, A4, B5, A5, 11 x 17" (Ledger), 8.5 x 14" (Legal), 8.5 x 11" (Letter), custom size paper (width: 210 - 297 mm; length: 148 - 431.8 mm) 2 Sided printing (optional for the DocuPrint C3055): A3, B4, A4, B5, A5, 11 x 17" (Ledger), 8.5 x 14" (Legal), 8.5 x 13" (Legal), 8.5 x 11" (Letter), 7.25 x 10.5" (Executive) Image loss: 4 mm from the top, bottom, left, and right edges

Item	Description
Paper type	<p>Bypass Tray: Plain (60 - 80 g/m², Recycled (60 - 80 g/m²), Bond (81 - 105 g/m²), Heavyweight 1 (106 - 163 g/m²), Heavyweight 2 (164 - 216 g/m²), Coated 1 (105 g/m²), Coated 2 (106 - 163 g/m²), Coated 3 (164 - 216 g/m²), transparency (for monochrome), label, envelope, postcard</p> <p>Tray 1: Plain (60 - 80 g/m², Recycled (60 - 80 g/m²), Bond (81 - 105 g/m²), Heavyweight 1 (106 - 163 g/m²) Heavyweight 2 (164 - 216 g/m²), transparency (for monochrome), label</p> <p>Trays 2 - 4 (optional): Plain (60 - 80 g/m², Recycled (60 - 80 g/m²) Bond (81 - 105 g/m²), Heavyweight 1 (106 - 163 g/m²), transparency (for monochrome), label</p> <p>2 Sided Printing (optional for the DocuPrint C3055): Plain (60 - 80 g/m², Recycled (60 - 80 g/m²), Bond (81 - 105 g/m²), Coated 1 (105 g/m²), Coated 2 (106 - 163 g/m²) G.S.M.: 60 - 105 g/m²</p> <p>Important * Use only the recommended paper. Using paper other than that recommended for the printer can cause printing problems. Do not use ink jet paper or postcards made out of recycled paper. Printing on used paper or on its reverse side may impair print quality. * For information about the recommended paper, contact our Customer Support Center or your dealers.</p>
Paper capacity (Fuji Xerox paper)	<p>Standard: Bypass tray : 155 sheets Tray 1 : 250 sheets</p> <p>Optional: sheet feeder : 550 sheets</p> <p>A maximum of 2,055 sheets can be loaded when the tray 1, bypass tray and three sheet feeders are used.</p>
Output tray capacity (Fuji Xerox P paper smaller than Letter/A4)	<p>Standard: approximately 250 sheets (face down)</p> <p>Important * When performing automatic 2-sided printing in a high temperature/humidity environment, remove outputs as soon as they are delivered in the output tray.</p>
CPU	RM5231A/350 MHz
Memory capacity	<p>Standard DocuPrint C3055 : 128 MB DocuPrint C3055 DX : 256 MB 1 memory slot (1 empty slot)</p> <p>Optional 256/512 MB; additional memory (max: 640 MB)</p> <p>* The above memory capacity does not guarantee print quality depending on the type and content of print data.</p>
Hard disk	Optional: 40 GB
Fonts	<p>PCL fonts : Agfa 81 typefaces MM fonts : 2 typefaces PostScript European : 136 typefaces (optional for the DocuPrint C3055)</p>

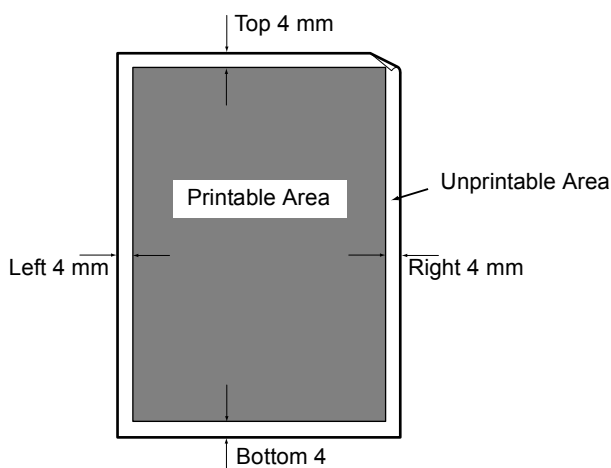
Item	Description
Page Description Language	Standard DocuPrint C3055 : PCL XL DocuPrint C3055 DX : PCL XL, Adobe® PostScript® 3™ Optional DocuPrint C3055 : Adobe® PostScript® 3™ *1 Important *1 Can be used only if the PostScript software kit (optional) is installed.
Emulation	Standard : PCL5, ESC/P, PDF Optional : ESC/P-K*1 Important *1 Can be used only if the Chinese font kit (optional) is installed.
Supported OS *1	Windows® 95/98/Me, Windows NT® 4.0 (SP4.0 or above), Windows® 2000/ XP, Windows Server™ 2003, Mac OS*2 Important *1 For the latest information about the supported operating systems, contact our Customer Support Center or your dealers. *2 Mac OS 7.6.1 - 9.2.2 and Mac OS X 10.1.5/10.2.8/10.3.9/10.4 are supported. On the DocuPrint C3055, the above operating systems can be used only if the PostScript software kit (optional) is installed.
Interface	Standard: dual parallel (IEEE1284 compliant), Ethernet (100BASE-TX/10BASE-T), USB (Hi-Speed)
Supported protocol	TCP/IP (LPD, Port9100, IPP*1, SNMP, HTML/HTTP, DHCP, FTP), SMB*1, NetWare*1, EtherTalk*1 Important *1 Can be used only if the network expansion card (optional) is installed.
Power	AC 110-120V±10%; 15A; both 50/60Hz AC 220-240V±10%; 7A; both 50/60Hz Important * Power outlets that provide the above power level is recommended. The maximum current drain of the printer is 9.5A (110 - 120V model) or 4.5A (220 - 240V model).
Operating noise (main unit only)	During operation : 6.9 B; 54 dB (A) During stand-by : Noise-less (fan-less) Important * Measured according to ISO 9296 Unit B: acoustic power level Unit dB (A): radiated sound pressure (bystander position)

Item	Description
Power consumption	AC 110 - 120 V: Maximum : 1080 W During the Sleep mode: 5 W or less Average : During stand by:110 W When continuously printing in color: 310 W When continuously printing in monochrome: 510 W AC 220-240V: Maximum : 1010 W During the Sleep mode: 5 W or less Average : During stand by:110 W When continuously printing in color: 310 W When continuously printing in monochrome: 510 W Important * In the Low Power Mode: 24 W (110 - 120 V model) or 27 W (220 - 240 V model) (The printer does not use electricity when the power is switched off even when the power cord is plugged in.)
Dimensions (main unit only)	499.5 (W) × 534 (D) ^{*1} × 407 (H) mm Important *1 When the bypass tray is closed and the paper tray is not extended.
Weight	DocuPrint C3055 41.6 kg (only the main unit including consumables) DocuPrint C3055 DX 42.6 kg (only the main unit including consumables)

Printable Area

Note

- The actual printable area may vary depending on the printer control language.



* If the actual print start position is less than 4 mm from the top edge, a paper jam may occur depending on the type of image printed, the type of the output paper, and the operating environment of the printer.

A.2 Optional Accessories

The following table lists the main accessories available for the printer. To purchase them, contact the dealer where you purchased the printer.

Product Name	Product Code	C3055	C3055 DX	Description
Internal hard disk	EL300586	O	O	Must be installed to use the following features: • Secure Print • Sample Print
256MB Memory	E3300061	O	O	Increases the printer's memory capacity. For information about the features and situations that require additional memory, refer to "A.6 Installing Additional Memory" (P. 223).
512MB Memory	EL300452	O	O	
Network expansion card	EL300587	O	O	Must be installed to use the printer in a NetWare, SMB, IPP, or EtherTalk environment.
500 Sheet feeder	EL300588	O	O	A paper tray that can accommodate standard paper of up to 550 sheets. Up to three sheet feeders can be installed to the printer.
Duplex unit	EL300589	O	-	Must be installed to have the printer automatically perform 2-sided printing.
PostScript software kit	EL300599	O	-	Allows you to print in Adobe PostScript 3. When using this kit, installation of additional memory is recommended.
Japanese font Kit (Heisei)	EL300582	-	O	Allows you to use Japanese PostScript fonts (two MORISAWA font typefaces and two HEISEI font typefaces).
Japanese font Kit (Morisawa)	EL300583	-	O	
Chinese font kit	EL300584	O	O	Allows you to use the ESC/P-K emulation feature, which enables printing using four Chinese font typefaces.
Korean font kit	EL300585	O	O	Allows you to use the PCL5 emulation feature, which enables printing using six Korean font typefaces.
Cabinet	EL300590	O	O	Can be mounted underneath the printer.
Castor base	EL300591	O	O	Can be mounted underneath the printer.

- The product names and codes are as of November 2006.
- The product names and codes are subject to change.
- For the latest information about the optional accessories, contact our Customer Support Center or your dealers.

A.3 Life of Consumables and Regular Replacement Parts

Consumables

Consumable	Page Yield
Toner cartridge 3K (included with the printer) (black/cyan/magenta/yellow)	Approx. 3,000 pages
Toner cartridge 6.5K (black/cyan/magenta/yellow)	Approx. 6,500 pages
Drum cartridge (including waste toner box)	Approx. 24,000 pages
Fuser unit	Approx. 100,000 pages

Important

- The page yields of the toner cartridges are based on A4 size paper loaded in landscape orientation, 5% coverage per color, printing 2 pages per job, 22 °C temperature, 55% humidity, and the standard density setting. The actual page yields, however, are dependent on the usage conditions, such as the area coverage, paper size, paper type, usage environment, image quality adjustments, and printer initialization on powering on/off, and may differ substantially from the reference values.
The color toners are consumed also when printing in monochrome for image quality adjustments.
- The page yields of the drum cartridge and fuser unit are based on A4 size paper loaded in landscape orientation, printing 2 pages single-sided per job, 5% coverage per color, 22 °C temperature, 55% humidity, and 1:4 color-monochrome ratio. The actual page yield, however, is dependent on the usage conditions, such as the area coverage, paper size, paper type, usage environment, image quality adjustments, printer initialization on powering on/off, and color-monochrome ratio, and may differ substantially from the reference value.

Regular Replacement Parts

Part Name	Page Yield
Color development unit (Y/M/C)	Approx. 50,000 pages
Monochrome development unit	Approx. 100,000 pages
2nd transfer unit	Approx. 100,000 pages
Feed roll unit (MSI)	Approx. 100,000 pages
Feed roll unit (Tray)	Approx. 100,000 pages

Note

- The page yield of each regular replacement part is based on A4 size paper (P paper) loaded in landscape orientation, printing 2 pages single-sided per job, 5% coverage per color, 22 °C temperature, 55% humidity, and 1:4 color-monochrome ratio. The actual page yield, however, is dependent on the usage conditions, such as resolution, paper size, paper type, usage environment, printer initialization on powering on/off, and color-monochrome ratio, and may differ substantially from the reference value.
- The regular replacement parts must be replaced by our customer engineers.

A.4 Obtaining the Product Information

Obtaining the Latest Print Driver

The latest print driver can be obtained by downloading it from our web site.

Note

- The communication fee shall be borne by users.

1. In your print driver's Properties dialog box, click [Detailed Settings] tab and then [About].
2. Click [Fuji Xerox Web Site].
Your web browser launches and our web site is displayed.
3. Follow the instructions on the web site and download an appropriate print driver.

Note

- You can browse our web site also on the CD-ROM of the Driver CD Kit included with the printer. To access the web site, click [Fuji Xerox Web Site] on the startup window of the CD-ROM.
- The URL of the driver download service page is as follows:
<http://www.fxprinters.com/>
- For the latest information about the print driver features, refer to the online help provided for the print driver.

Updating the Printer's Firmware

Our web site also provides a tool that allows you to update the printer's firmware (software embedded within the printer) from your computer.

The latest firmware and updating tool can be downloaded from the following URL.

Follow the instructions on the web site and download an appropriate firmware.

<http://www.fxprinters.com/>

Note

- The communication fee shall be borne by users.

A.5 Connecting the Printer to a Scanner (Associated Product)

Connecting the printer to a scanner (associated product) allows you to use copy features on the printer. This section describes the guidelines for connecting the printer to a scanner and installing them using a scanner stand (associated product).

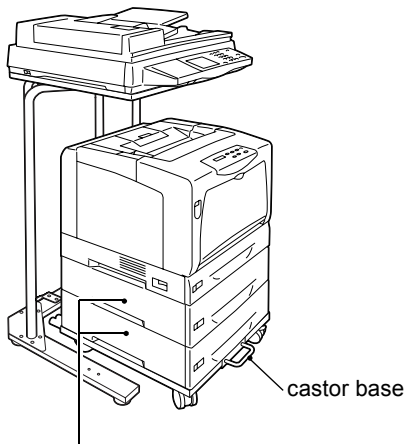
Note

- The scanner and scanner stand are not available in some countries. Contact your dealers for details.

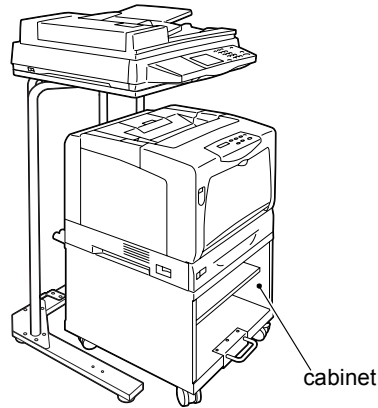
Installation

To use the scanner stand, you must either mount the optional cabinet or castor base to the printer.

The printer and the accessories can be installed in the following combinations.



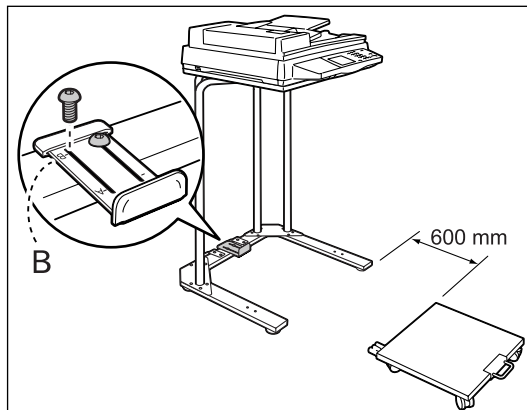
Up to two sheet feeders can be added to the printer if using the castor base.



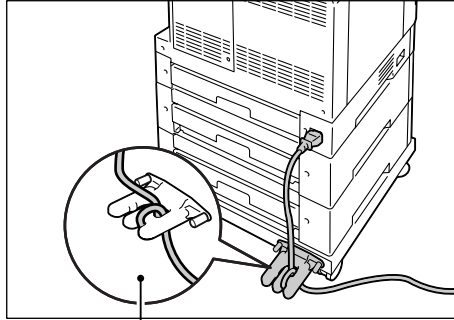
Sheet feeders cannot be added to the printer if using the cabinet.

The following is a brief explanation of how to assemble and mount each accessory to the printer. For more detailed instructions, refer to the "Setup Guide" and the installation guide provided for each accessory.

1. Assemble the scanner stand. Mount the adjuster to B as in the figure. (Refer to the installation guide provided for the scanner stand.)
2. Place the cabinet or castor base on the floor at least 600 mm away from the printer.

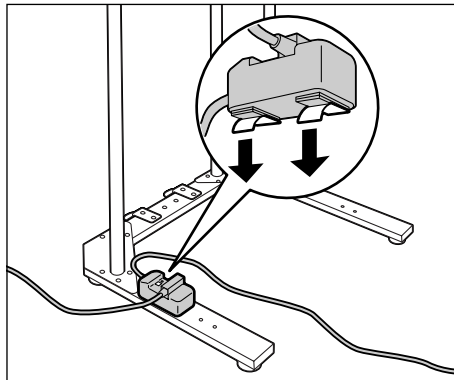


3. Install the printer using the following steps:
 - 1) Mount the printer or a sheet feeder to the cabinet or castor base.
(Refer to the installation guide for each accessory.)
 - 2) Plug the power cord to the printer.
 - 3) Wrap the power cord around the cable hook on the cabinet or castor base.
(Refer to the installation guide for the cabinet or castor base.)



Power cord wrapped around the cable hook

- 4) Remove the two tape strips from the back of the earth fault interrupter on the power cord, and paste them onto the scanner stand as in the figure. Then, plug the other end of the power cord into a power outlet.

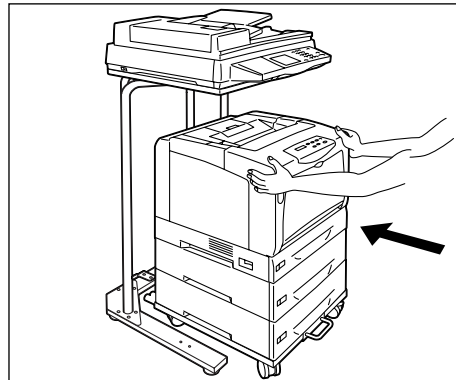


- 5) Switch the power on and load the toner cartridges and drum cartridge.
(Refer to the 'Setup Guide'.)
- 6) Load paper into the printer. (Refer to the 'Setup Guide'.)

4. Unlock the castor stoppers. Hold the printer as in the figure and push it underneath the scanner stand.

Important

- When moving the printer, be careful not to step on its power cord.

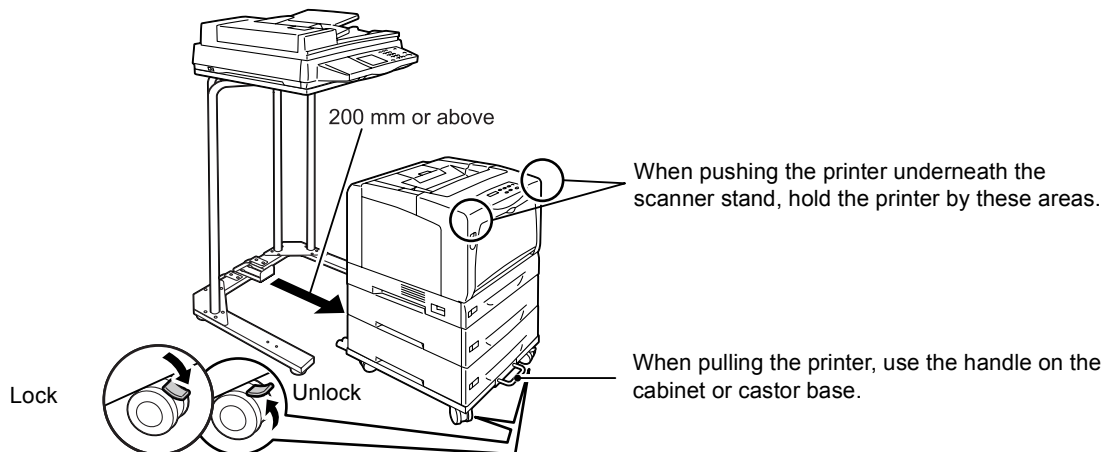


5. After moving the printer, lock the castor stoppers.
6. Plug the other end of the USB cable connected to the scanner into the USB connector located on the rear side of the printer.

When Replacing Consumable or Installing Optional Accessories

Follow these precautions when replacing a consumable or installing an optional accessory.

- When replacing a consumable, release the lock on the castor base or cabinet, and pull the printer at least 200 mm away from the scanner stand.



- When installing an optional accessory to the printer, pull the printer at least 200 away from the scanner stand. Then, rotate the printer 90 degrees, and open the rear cover to install the accessory.
- The front wheels of the cabinet or castor base have stoppers that prevent the cabinet or castor base from moving. Make sure to lock the stoppers after moving the printer to the desired location. If you leave the stoppers unlocked, the printer may move unexpectedly and cause injuries.
- Make sure to leave the power on when removing consumables or clearing paper jams. When moving the printer, be careful not to step on its power cord.

A.6 Installing Additional Memory

In case of the following situations, install additional memory to the printer.

- When [Print Page Mode] is set to [On] on your print driver
Setting [Print Page Mode] to [On] changes the printing method of the printer. When printing large data, or when the printer is taking too much time to print, set [Print Page Mode] to [On] and try printing again.
- When the [Out of memory] message appears frequently on the control panel
- When installing the optional PostScript software kit on the DocuPrint C3055 (recommended)

Additional memory may be required also when printing large data such as complex graphics.

Note

- For more information about additional memory and how to order it, refer to "A.2 Optional Accessories" (P. 217).

The following describes how to install additional memory to the printer.

The printer has one slot for installing a memory card. If you want to add memory when the slot already has a memory card, replace the memory card with the one with larger capacity.

Note

- The DocuPrint C3055 DX comes with 256 MB memory already installed in the memory slot.

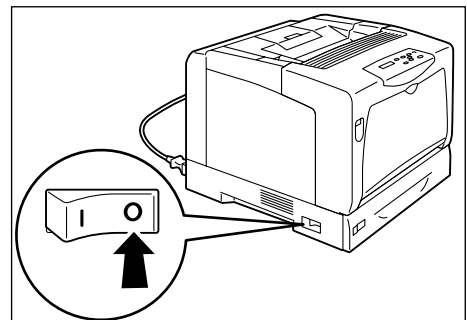
WARNING

- Never open or remove machine covers that are secured with screws unless specifically instructed in the related manuals. A high voltage component can cause electric shocks.
 - Do not try to alter the machine configuration, or modify any parts. An unauthorized modification can cause smoke or fire.
-

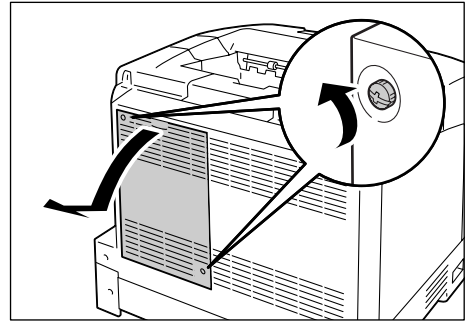
CAUTION

- Switch off the machine before connecting the interface cable or optional accessories. Connecting the cable or optional accessories with a live machine can cause electric shocks.
-

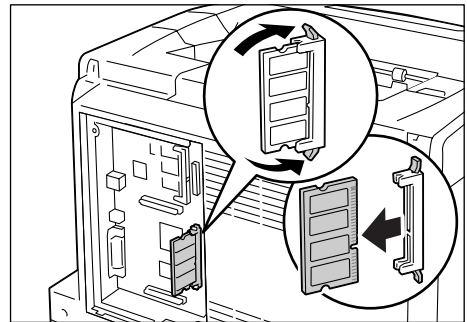
1. Switch the power off by pressing the power switch on the left side of the printer to the <O> position.
Unplug the power cord from the power outlet and the printer.



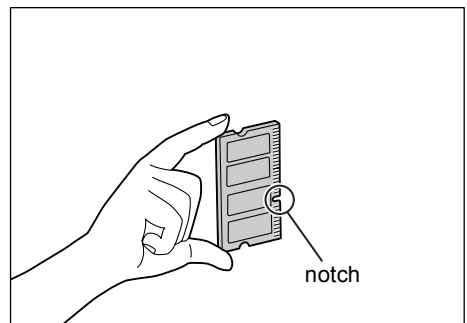
- Loosen the two screws that secure the rear cover to the printer.
Then, pull the rear cover forward and remove it from the printer.



- If another memory card is already installed, push the retaining clips on both ends in the outward direction and pull the memory card straight out.



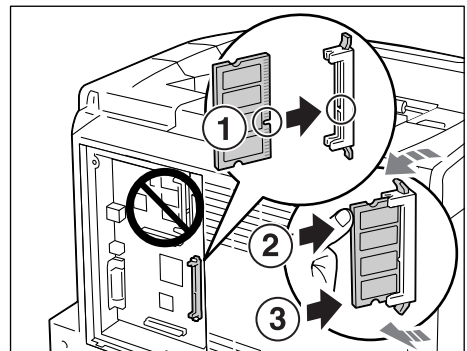
- Hold the new memory card so that the notch on the card comes below the center of the card.



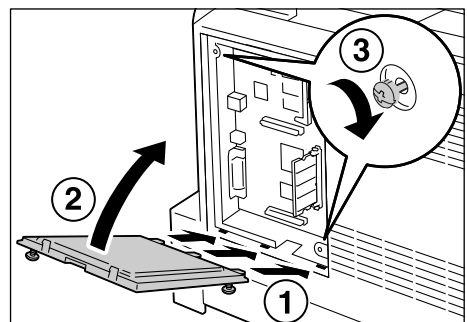
- Align the notch on the new memory card with the projection on the ROM slot, and insert the memory card into the slot. When the memory card is installed correctly, the retaining clips on both ends stand up.

Important

- The memory card should be installed perpendicular to the controller board. The slot at the upper part of the controller board is for an optional ROM, which is installed parallel to the controller board. Make sure to insert the memory card into the correct slot.



- Re-attach the rear cover on the printer by tightening the two screws loosened in Step 2.
- Plug in the power cord and switch on the power by pressing the power switch to the <|> position.



The installation is now complete.

Note

- You can check whether the memory card is installed correctly by printing out the [Printer Settings] list. [Memory Capacity] under [General] shows the total memory capacity of the printer (which is the memory on the controller board (128 MB) plus the memory you just added). For information on how to print the [Printer Settings] list, refer to "Printing a Report/List" (P. 173).
- If you added memory while the printer is in use, change the memory capacity setting on your print driver. For details, refer to the online help provided for the print driver.

A.7 Notes and Restrictions

Notes and Restrictions on Using the Printer

This section lists the notes and restrictions that apply to the printer.

Hard Disk (Optional)

- An abrupt shut down of the printer due to a power failure or other disruption may corrupt data in the hard disk.
- The <Power Saver> lamp blinks when the hard disk is being accessed when the printer is in the Power Saver mode. Do not switch the power off when the <Power Saver> lamp is blinking.

Optional Accessories

- To use the Secure Print/Sample Print feature, install the optional hard disk to the printer.
- To use the DocuPrint C3055 as a PostScript printer, install the PostScript software kit (optional) to the printer. If installing the PostScript software kit, additional memory (optional) of 256 MB or above is recommended.
- To use [Print Page Mode], you must install additional memory to the printer. Setting [Print Page Mode] to [On] changes the printing method of the printer. When printing large data, or when the printer is taking too much time to print, set the [Print Page Mode] to [On] and try printing again.

Meter Counts for 2-Sided Print Pages

If you print a job 2-sided, depending on the application being used and the print quantity setting, the application may automatically insert a blank page into the job. In such case, the blank page is counted as 1 page.

When Printing Monochrome Documents

Due to the mechanical construction of the printer, the printer consumes color toners even when printing in monochrome.

When Images are Not Printed Properly

Images with transparency or those layered on top of each other may not be printed properly due to insufficient memory. In such case, try performing the following:

- If the [Graphics] tab > [Print Mode] is set to [High Quality] on your print driver, change it to [Standard].
- Install additional memory.

When Printing from a Macintosh Computer Using Bonjour (Multicast DNS Feature)

When setting [Printer Name] on CentreWare Internet Services, use only alphanumeric characters, symbols, and spaces. If you use other characters, the printer will not print from Macintosh computers. The default [Print Name] is [FUJI XEROX DocuPrint C3055] or [FUJI XEROX DocuPrint C3055 DX] depending on your printer model.

A.8 Glossary

10BASE-T:

A 10 Mbps Ethernet network that uses a baseband signal and twisted-pair cable. It is one of the IEEE802.3 standards.

100BASE-TX:

An extended version of 10BASE-T known as FastEthernet. Its communication speed is 100 Mbps, which is much faster than 10 Mbps of 10BASE-T.

Address:

Information (identifier) that is assigned to identify each node (computer or terminal) on a network. A number that specifies a location in a computer's memory is also called "address".

Application software:

Computer software designed to perform a specific task. Software for various needs, such as word processing, spreadsheets, graphics, and databases, are available.

ART EX:

A page description language developed by Fuji Xerox.

ART IV:

An acronym for Advanced Rendering Tool and is a printer control language developed by Fuji Xerox. IV indicates a version number.

Bi-directional communication:

A type of communication where two devices exchange information with each other. It enables data transmission (such as print requests) as well as reception (such as job status) to and from the printer.

BOOTP:

An acronym for BOOTstrap Protocol. It is a protocol that allows a client on a TCP/IP network to automatically acquire network configuration information from a server.

Click:

A single action of pressing and releasing a mouse button. In this guide, "click" refers to pressing and releasing the left mouse button, whereas "right-click" refers to pressing and releasing the right mouse button.

"Double-click" refers to a quick double action of pressing and releasing a mouse button.

CD-ROM:

A compact disk (CD) containing a large amount of data, including computer software and images.

CMYK:

A color model that represents all colors as combinations of four process colors, which are cyan (C), magenta (M), yellow (Y) and black (K).

Collate

An output programming where each copy set is delivered in the same order as the originals. If printing two copies of three-page original, the order of the output will be pages 1-2-3, 1-2-3.

Default:

A particular settings or value for a variable that is assigned to the printer before it was shipped from the factory. Any settings or values cancelled or changed by users will return to the defaults when the NV memory is initialized.

DHCP:

An acronym for Dynamic Host Configuration Protocol. It is a protocol that uses a server to automatically assign IP addresses to client computers.

DNS:

An acronym for Domain Name System. It is a name resolution service which converts host names to IP addresses.

dpi:

An acronym for dots per inch. It refers to the number of dots that can be printed in an inch (approximately 25.4 mm) and is a unit of measurement to indicate resolution.

Emulation:

The ability of the printer to imitate the print results of other printers. A print mode where the printer emulates other printer is called the "emulation mode".

EtherTalk:

It is one of the transfer protocols of "AppleTalk" which is network software for Macintosh.

Font

A complete set of characters and symbols that have common characteristics such as style and typeface.

Full color:

A maximum number of colors that can be displayed on your computer screen, which is approximately 16.77 million colors.

Grams per Square Meter (g/m²):

A weight in grams of one square meter of paper.

HTTP:

A protocol used to communicate with a web browser over the Internet.

ICM:

An acronym for Image Color Matching and is color management software that runs on Windows 98, Windows Me, Windows 2000, Windows XP, and Windows Server 2003. It calibrates a device to eliminate any color matching problems caused by the device, and matches the colors of the device with those of the printer.

Image Enhancement

A feature that artificially increases resolution by smoothing out transitions between black and white and reducing jagged appearance.

Install:

To load software or hardware onto a computer or peripheral device to make it ready to use. In this guide "to install" mainly refers to loading software on a computer.

Installer:

Software that installs software on a computer.

Interface:

The surface or point where two things (systems) meet or touch each other. It is commonly used to describe a boundary between a computer and a printer, or that between a user and a device.

The (electronic) specifications of an interface is sometimes just called "interface".

Interface cable:

A cable that is used to connect multiple devices together.

Interface cables include, USB or Parallel cable, which connects a printer with a computer, and Ethernet cable, which connects a printer with a network.

IP address:

An address used by TCP/IP protocols to identify computers on a network. It is expressed in dotted quad format which is a series of four decimal numbers separated by decimal points.

IPP:

A protocol used when printing using HTTP.

Job:

A unit of work processed by computers. A print job is a unit of work run on a printer and consists of printing one file. Cancelling or executing printing is done by this unit.

Local printer

In this guide, a "local printer" refers to a printer that is directly connected to a computer using a parallel cable or USB cable.

Log in/on:

To gain access to a resource on a computer system (such as hard disk or printer on a network). To end a session on a computer system refers to "to log out/off".

Multiple-up

A feature that allows you to print multiple pages onto one sheet of paper.

NetWare:

A network operating system developed by Novell, Inc.

Network printer:

In this guide, "network printer" refers to the printer connected to a network using an Ethernet cable.

Online help:

A manual that can be viewed on your computer screen.

Operating System (OS):

Software that runs on a computer to control or manage the basic operation of its hardware and software. It provides an interface to the hardware for the application software.

Parallel interface:

One of the data transmission methods used between a computer and a peripheral device that transfers several different bits of information simultaneously. One of the most popular parallel interface is a Centronics-type, which is used commonly to connect a computer to a printer.

PDF file:

In this guide, we call an online document created with Acrobat (software developed by Adobe Systems) a "PDF file". To view PDF files on your computer, you must install software called Adobe Acrobat Reader on your computer.

Port:

A connection point that allows exchange of information between a computer and its peripherals.

Port9100:

A network communication method that enables data transmission on Windows 98, Windows Me, Windows 2000, Windows XP, and Windows Server 2003.

To use this on Windows 98 or Windows Me, TCP/IP Direct Print Utility of Fuji Xerox is required. On Windows 2000, Windows XP, or Windows Server 2003, this can be used on the standard TCP/IP port monitor.

ppm:

A measurement that shows how many pages the printer is capable of printing in one minute.

Printable area:

The area on paper which can be printed.

Print driver:

Software that translates data created on an application into a format that the printer can read and print.

Protocol:

A set of rules for exchange of information between hardware or two computers via a network.

Resolution:

The quality of detail of an image represented by dots per square inch (dpi). The higher the dpi, the higher the resolution.

Server:

A computer in a network that stores data files accessed by other computers. "Client" is a computer that demands service from a server.

SMB:

A network protocol used to enable file sharing over Windows Network (Microsoft Network) and that can be used on Windows 98, Windows Me, Windows NT 4.0, Windows 2000, Windows XP, and Windows Server 2003.

SNMP:

A protocol that manages networked devices via a network.

A device that manages the activities of networked devices runs on software called "SNMP manager". Whereas, a device that is being monitored runs on "SMNP agent".

Software

Programs that run computers. Operating systems and application software are also the types of software.

TCP/IP:

A network protocol developed by ARPANET (Defense Advanced Research Project Agency NetWork). It is the standard protocol of the Internet and is supported by a variety of computer platforms, from personal computers to mainframes.

Tone:

A smoothness of colors represented by the number of gradation steps. The higher the number of gradation steps, the smoother the gradation of colors.

Uninstall:

To delete software installed on the computer.

USB:

An acronym for Universal Serial Bus. It is a data communication method used between a computer and its peripherals. It allows hot-plug, which is the capability of connecting or disconnecting peripherals without having to switch off the computer.

Web browser:

Software that is designed to view information from the Internet on computers. Netscape Communicator and Internet Explorer are the two most popular web browsers.

WINS:

An acronym for Windows Internet Name Services. It is a name resolution service that converts a computer name to an IP address in a TCP/IP environment.

WWW:

An acronym for World Wide Web. It is a system that provides web sites on the Internet.

Index

Symbols, Numerics

<▲>, <▼>, <◀>, and <▶> buttons	36
2 Sided Print	44
2 Sided Report	117
500 sheet feeder	217

A

additional memory	217, 223
Adjust BTR	127
Adjust Paper Type	127
Admin Menu	91, 99
Auditron Administration feature	188
Auditron Report	171
Authentication feature	179, 188
Auto Job History	117
Auto Tray Selection feature	89

B

Banner Sheet	117
Bonjour	110
Booklet Creation	44
button	
<▲>, <▼>, <◀>, and <▶> buttons	36
button B	34
Eject/Set button	36
Menu button	36
Online button	36
Power Saver button/lamp	36
bypass tray	33
paper types	46

C

cable	
connecting a cable	22
network cable	23
parallel cable	22
USB cable	22
Calibration	128
canceling a print job	41
CD-ROM Documentation (HTML)	32
CentreWare Internet Services	174
monitoring/managing the	
printer status on a web browser	174
online help	31
overview	28
problems	156
setting items	30
cleaning the printer	202
common menus	90
basic setting procedure	92
description	95
components and their functions	33
confidential documents, printing	59

consumables	
checking toner levels	174
drum cartridge	35, 162
life of consumables	218
purchasing consumables	161
replacing consumables	161
replacing the drum cartridge	168
replacing the toner cartridges	164
toner cartridge	35, 161
types of consumables	161
ContentsBridge Utility	67
control panel	33, 36
locking the control panel	179
setting the control panel menus	90
cover	
front cover	33
rear cover	34
top cover	33
tray cover	34
Custom Paper Size	52

D

data reception control by IP address	179
Default Paper Size	126
Display Screen	120
drum cartridge	35, 162
replacing the drum cartridge	168
duplex unit	35, 217

E

Eject/Set button	36
e-mail	
checking the printer status via e-mail	176
printing using e-mail	70
E-mail Print feature	70
E-Mail Printing	107
envelopes, loading	45
error codes	154
Error History Report	171
Error lamp	36, 141
error messages	148
ESC/P Logical Printers List	172
Ethernet	110
EtherTalk	105
extension output tray	34

F

Favorites	44
features	4
feed rolls	205
firmware, updating	219
Font List	171
Forms	44
front cover	33
FTP	109

fuser unit 35, 162

G

gateway address 26
glossary 227
guides, related information sources 8

H

HTTP
SSL data encryption for
HTTP communication 179
HTTP-SSL/TLS 113

I

Init/Del Data 130
internal hard disk 217
Internet Services 109
IP address
data reception control by IP address 184
setting 24
IP Filter 112
IPP 104
IPX/SPX Frame Type 111

J

Job History Report 171

L

lamp
Error lamp 36, 141
Power Saver button/lamp 36
Ready lamp 36, 141
lever A 33
local printer 19
Low Power Timer 115
LPD 101

M

Maintenance Mode 127
Menu button 36
menu screen 37
messages (in alphabetical order) 148
meter 186
checking the meter 186
Meter Reading 91, 186
checking the meter 186
checking the number of printed sheets 186
Meter Report 171
mm/inch 118
moving the printer 211
Multiple-Up 44

N

NetWare 102
network and port settings 99
network cable 23
network connector 34
network expansion card 217
network printer 19

Network Settings 111
network, setting network environment 24
Network/Port 99
Non Condensing 128
Non Genuine 160
non-standard size paper
printing 51, 53
registering 51
notes and restrictions on use 226

O

Online button 36
operating environment 19
optional accessories 217
printer configuration 42
output tray 34

P

Panel Settings (list) 171
Panel Settings List 115
paper 76
loading paper 81
loading paper in the bypass tray 81
loading paper in the trays 1 - 4 83
storing and handling paper 80
supported paper 76
unsupported paper 79
Paper Image Qual. 124
paper jams, clearing 132
Paper Name 125
Paper Priority 122
Paper Size 123
Paper Tray Information 42
parallel cable 22
parallel connector 34
PCL 97
PCL Font List 171
PCL Macro List 172
PDF 95
printing PDF files directly 67
PDF Bridge Feature 67
port, enabling a port 27
Port9100 106
Poster 44
PostScript 98
PostScript Font List 171
PostScript Logical Printers List 172
PostScript software kit 217
power
power switch 33
problems 140, 141
switching on/off the power 38
power cord connector 34
Power Saver button/lamp 36
power switch 33
Print Adjustment 129
Print Auditron 118

print driver	
downloading	219
installing	32
latest print driver	219
online help	43
uninstalling	32
Print ID	125
print job	
canceling a print job	41
checking the job status	41
Print Language	91, 95
Print Meter Report	187
Print Priority	119
print screen	37
printable area	216
printer	
checking the printer status via e-mail	176
cleaning the printer	202
features	4
moving the printer	211
Printer Settings (list)	171
Printer Settings List	120
printing	43
canceling a print job	41
non-standard size paper	53
printing after checking the print result	63
printing by specifying the paper type	
of the trays 1 - 4	55
printing confidential documents	59
printing PDF files directly	67
printing procedure	43
printing using e-mail	70
product information, obtaining	219
Properties dialog box	44

R

Ready lamp	36, 141
rear cover	34
regular replacement parts	218
Report/List	91, 171
Auditron Report	171
Error History Report	171
ESC/P Logical Printers List	172
Job History Report	171
Meter Report	171
Panel Settings (list)	171
PCL Font List	171
PCL Macro List	172
PostScript Font List	171
PostScript Logical Printers List	172
Print Meter Report	187
Printer Settings (list)	171
printing reports/lists	173
Stored Document List	172
User Defined List	171

S

Sample Print feature	44, 63
scanner	118, 220

Secure Print feature	44, 59, 119, 179
security features	179
sheet feeder	217
SimpleMonitor	175
Size Conflict	126
Sleep Mode	116
Sleep Mode Timer	116
SMB	103
SNMP Settings	107
specifications	213
SSL data encryption for	
HTTP communication	179
SSL/TLS protocol	179
status	
checking the printer status via e-mail	176
checking the printer status via	
SimpleMonitor	175
monitoring/managing the	
printer status on a web browser	174
StatusMessenger feature	109, 176
problems	158
Stored Document List	172
subnet mask	26
supported operating environment	19
System Settings	113

T

TCP/IP	108
TCP/IP Direct Print Utility	21
Time-out	116
toner cartridge	35, 161
replacing the toner cartridges	164
top cover	33
transfer voltage, adjusting	200
Transparency Separators	44
tray cover	34
Tray Priority	123
troubleshooting	132
error codes	154
error messages (in alphabetical order)	148
hardware problems	
(power failure, abnormal noise, etc.)	140
network-related problems	156
paper jams	132
paper tray and paper feeding problems	147
power problems	140, 141
print and image quality problems	143
printing problems	141
Turn Image by 180 deg.	47

U

USB	105
USB cable	22
USB connector	34
USB Print Utility	21
User Defined List	171

W

Watermarks	44
------------	----

Control Panel Menu Tree

Basic Control Panel Functions

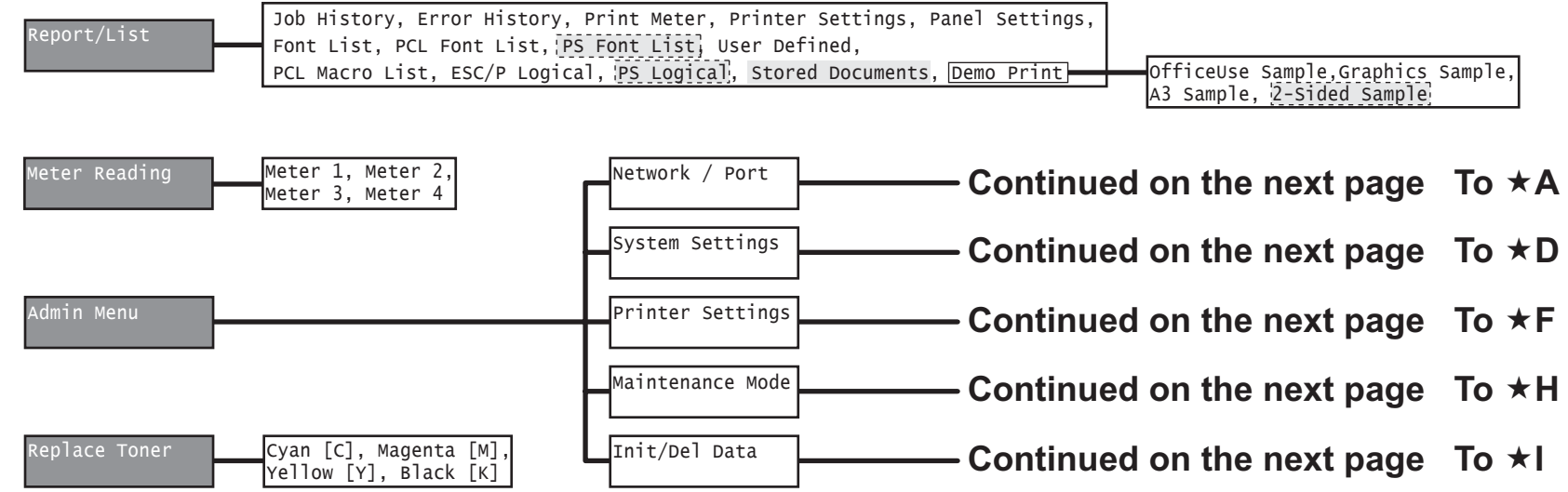
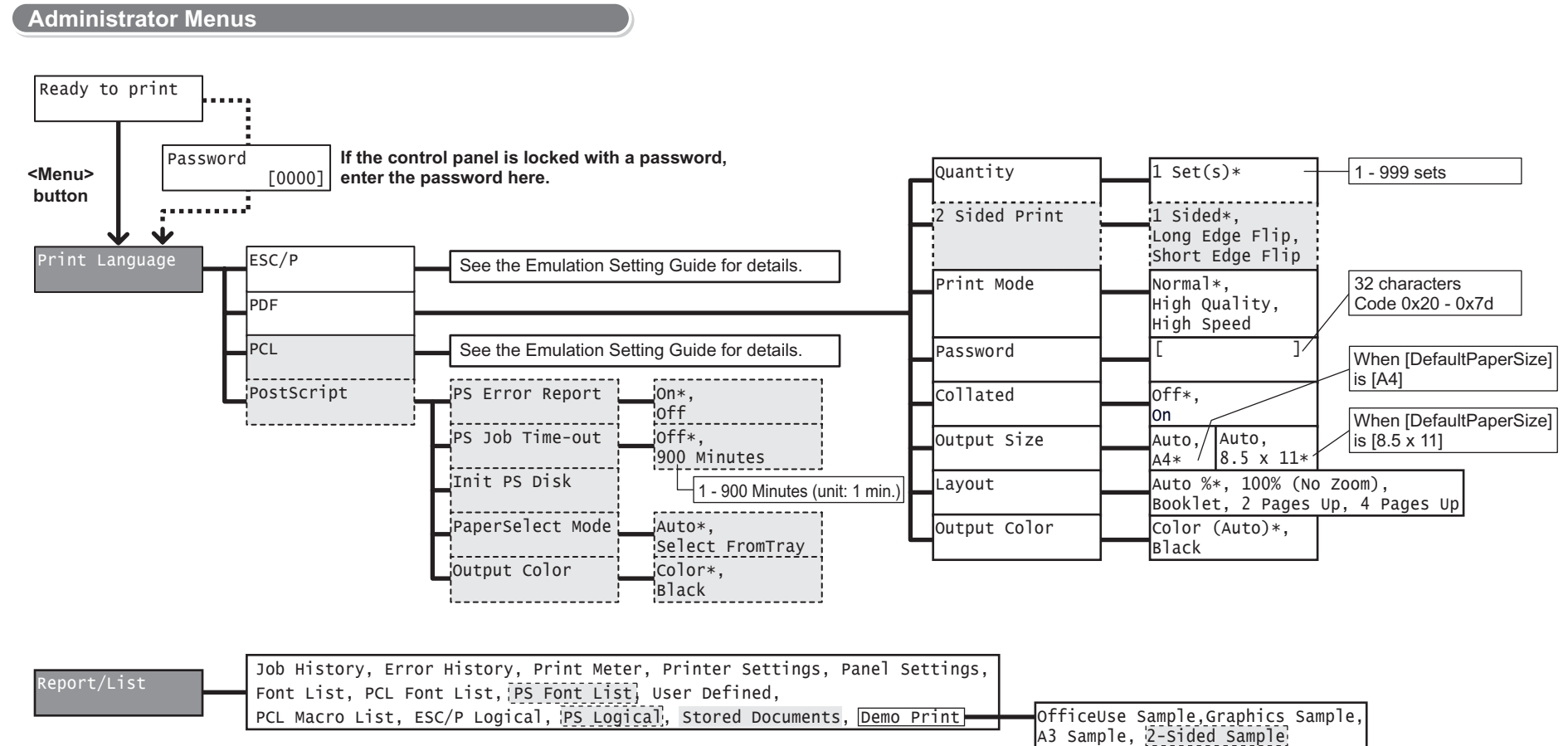
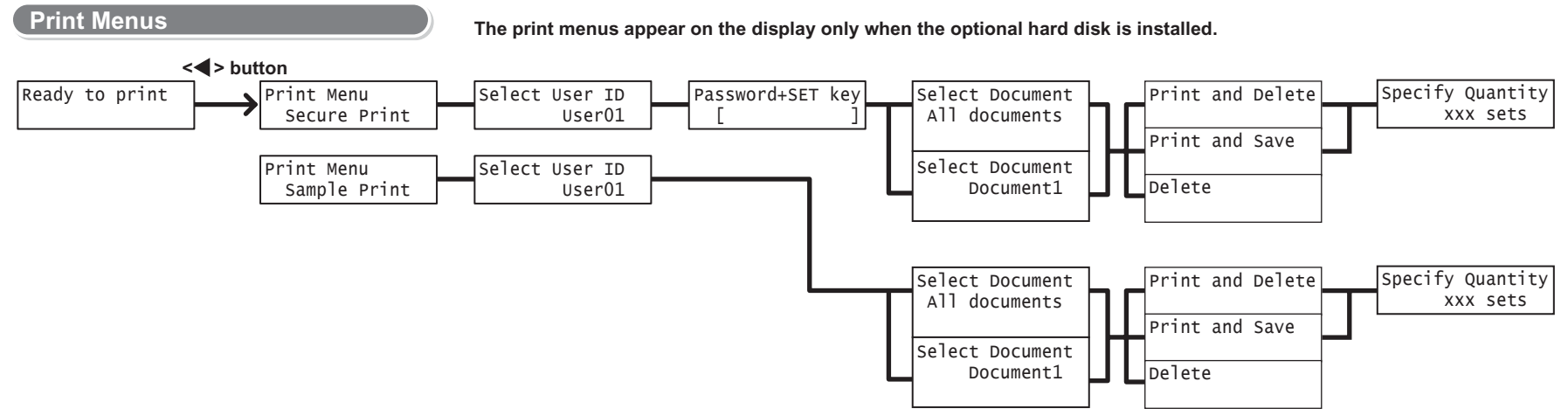
- To move up and down the menus: <▲> or <▼> button
- To select a menu or move to the right: <▶> button
- To cancel a selection or return to the left: <◀> button
- To confirm an entry: <Eject/Set> button
- To exit the menu screen: <Menu> button

Character/Number Entry Functions

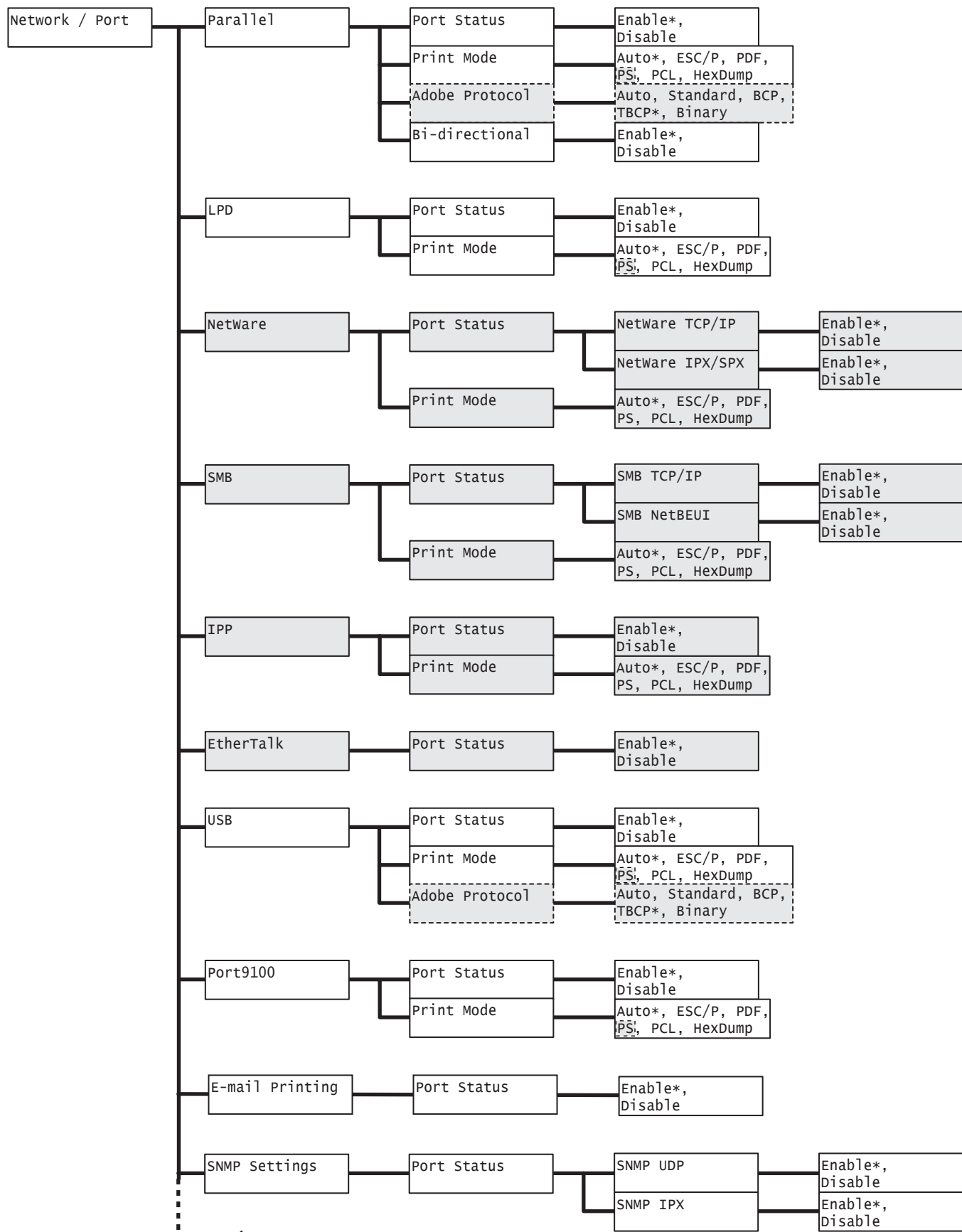
- To increase or decrease a value: <▲> or <▼> button
- To move between digits or fields: <▶> or <◀> button
- To reset a value to the default: <▲> and <▼> buttons

Conventions for the Administrator Menus

- : Main menus
- : Items that appear/do not appear depending on the options installed in the printer.
- : Items that come standard with the printer depending on the model.
- * : Default

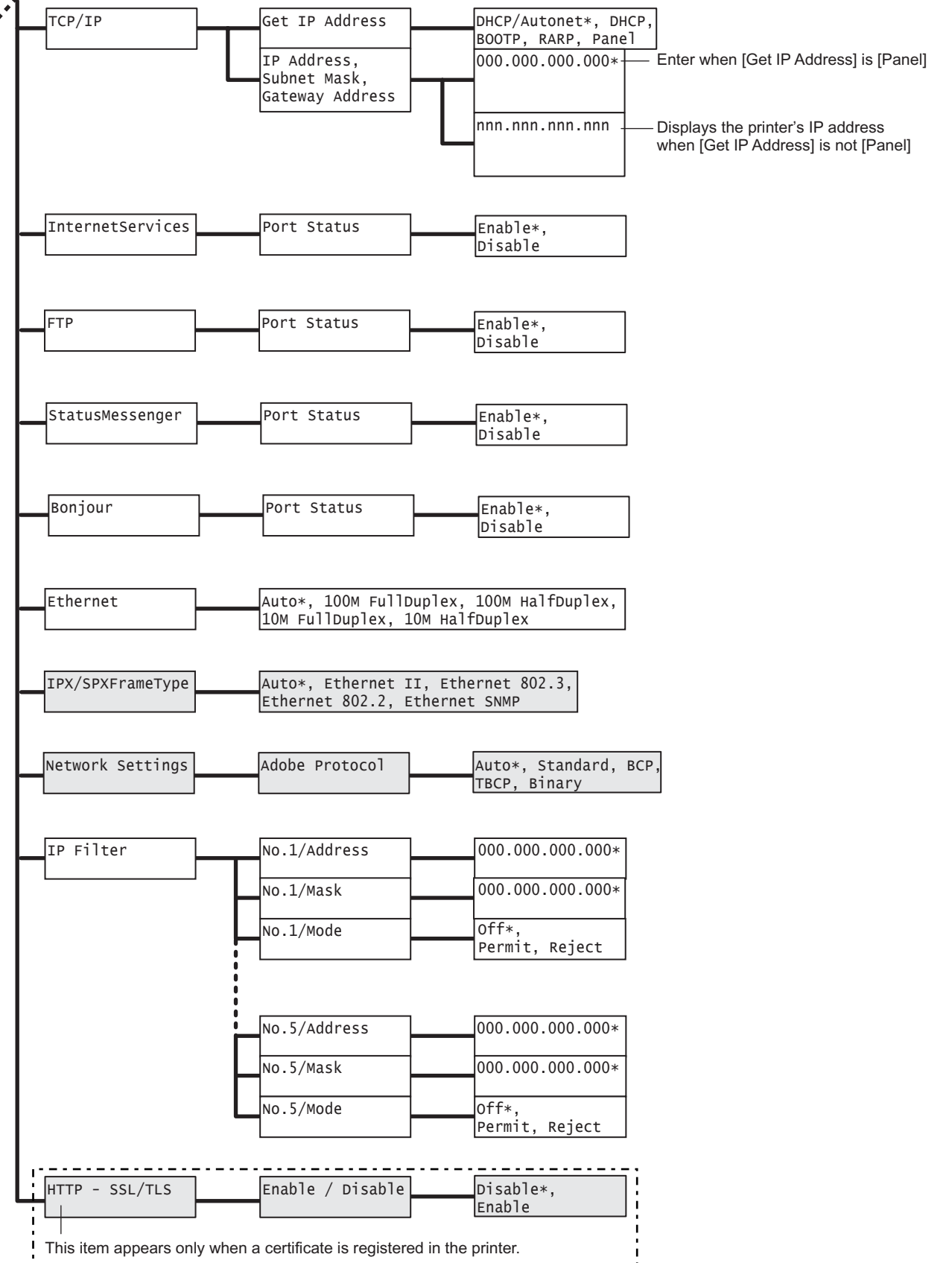


★A



To ★B (top right)

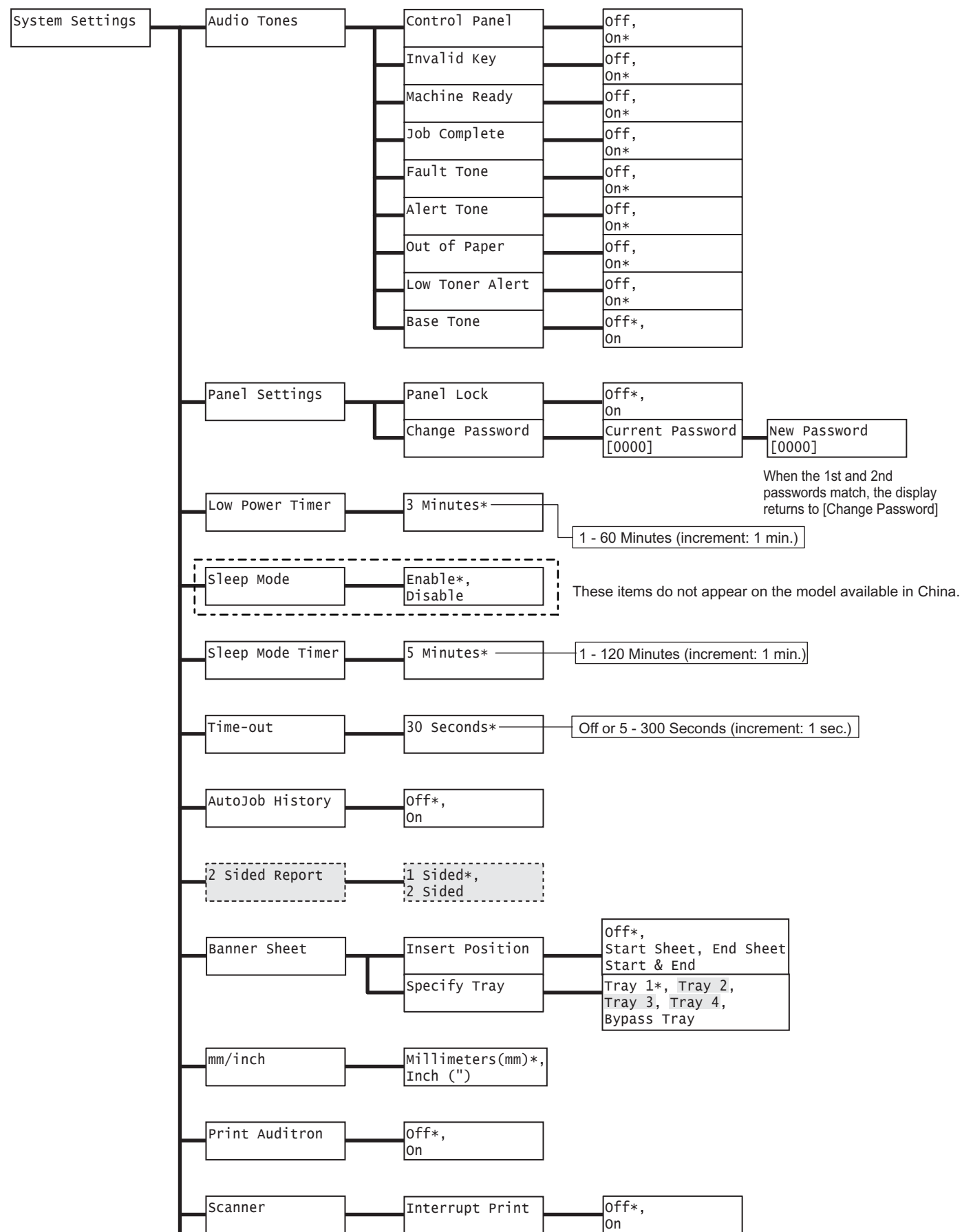
From ★B (bottom left) ([Network / Port] continued)



This item appears only when a certificate is registered in the printer.

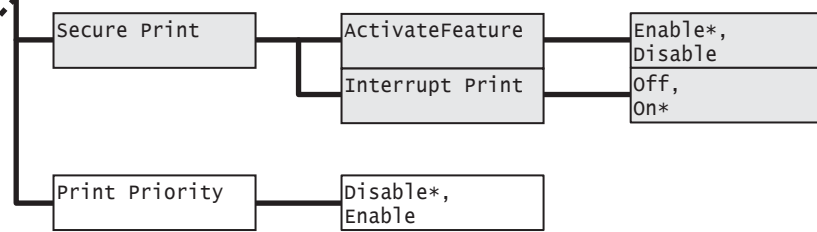
These items do not appear on the model available in China.

★D

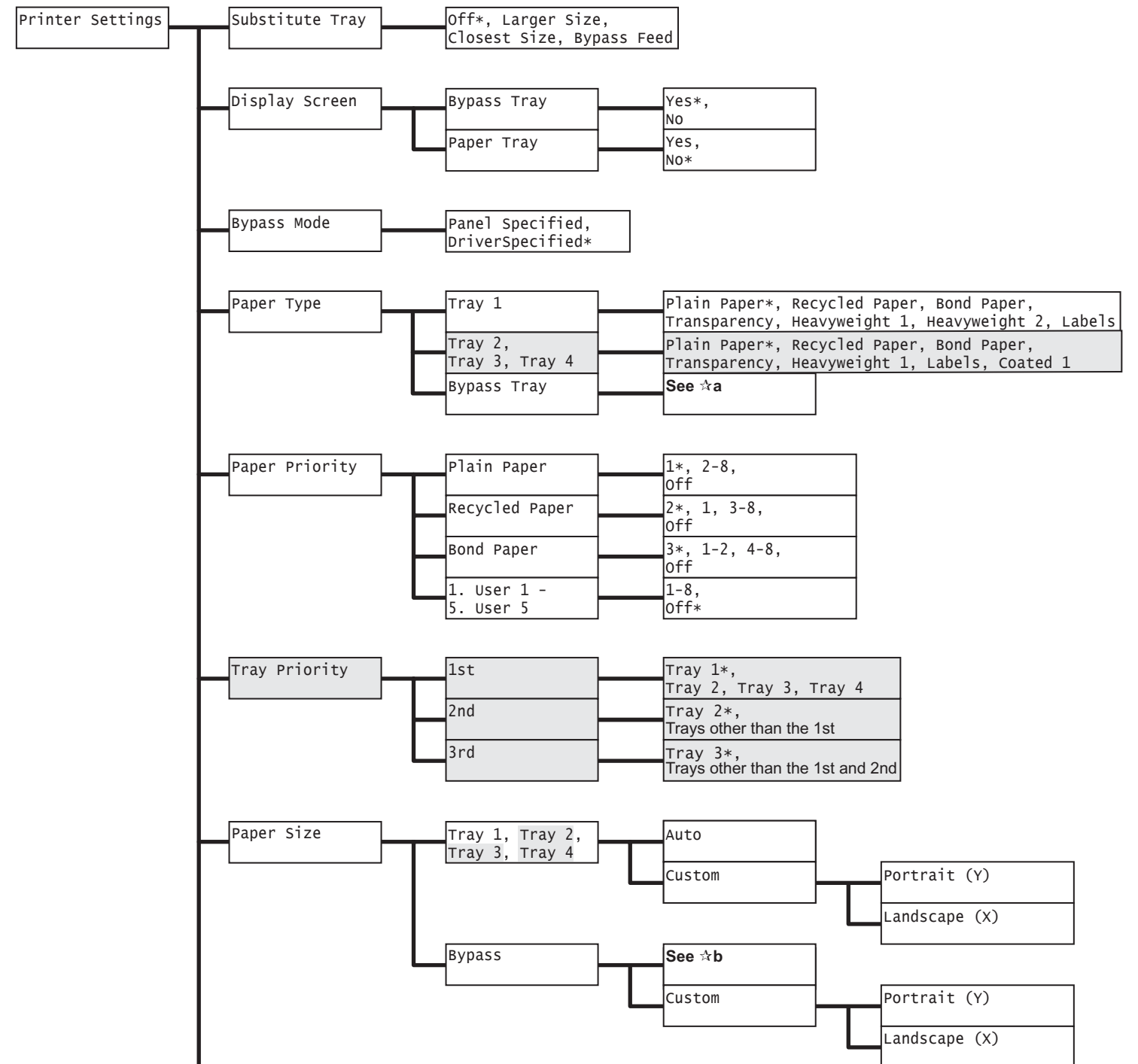


To ★E (top right)

From ★E (bottom left) ([System Settings] continued)



★F

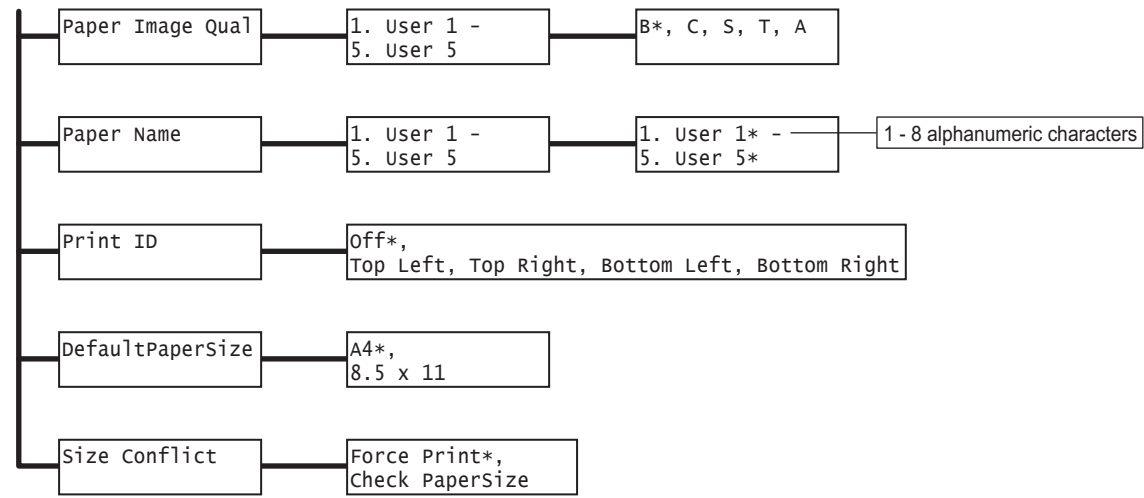


★a
Plain Paper*, Recycled Paper, Bond Paper, Transparency, Heavyweight 1, Heavyweight 2, Labels, Coated 1, Coated 2, Coated 3, Envelope, Postcard, Plain S2, Recycled S2, Bond S2, Heavyweight 1 S2, Heavyweight 2 S2, Coated 1 S2, Coated 2 S2, Coated 3 S2, Postcard S2

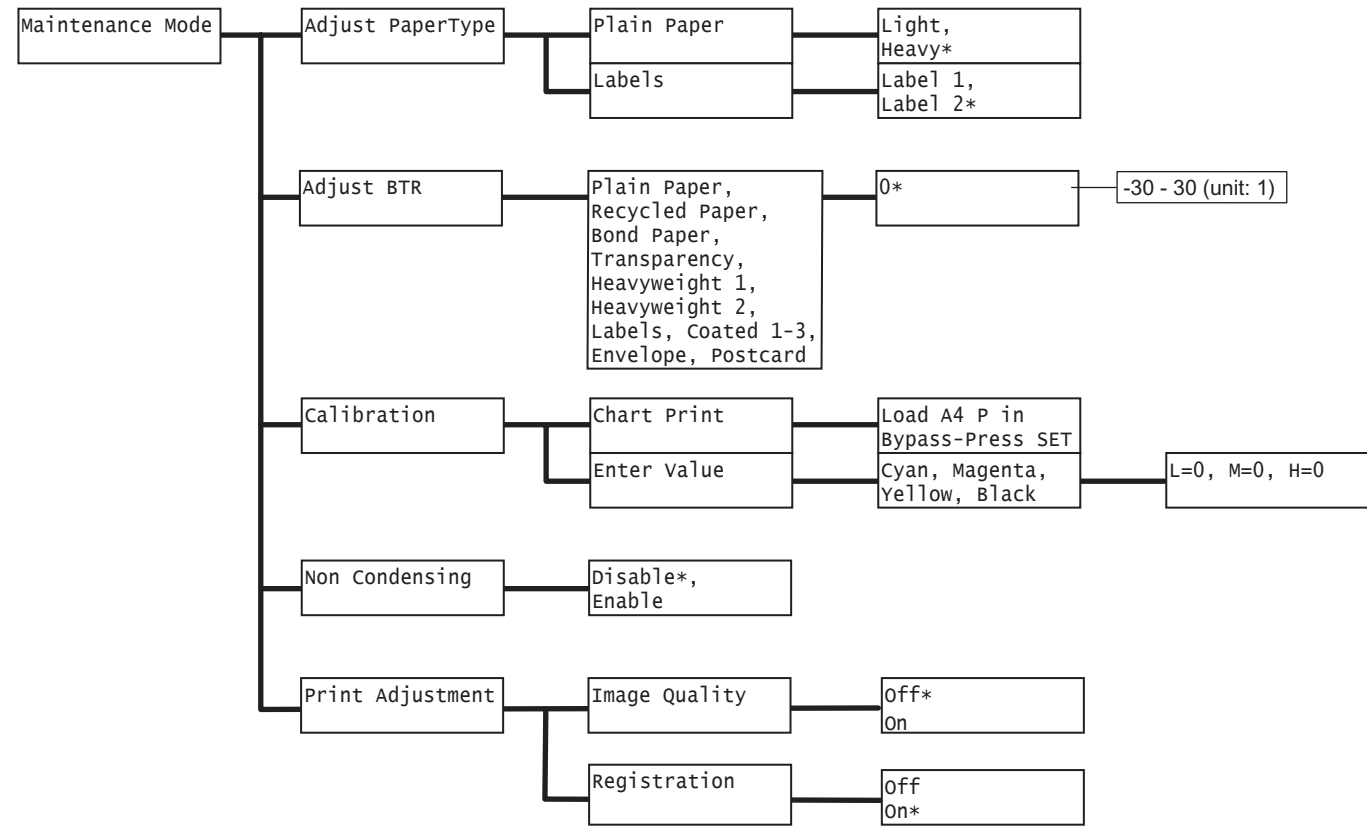
★b
A3, B4, A4-P, A4-L, Driver*, B5, A5, 11x17, 8.5x13, 8.5x14, 7.2x10.5, 8.5x11-P, 8.5x11-L, 4.1x9.5, 3.9x7.5, 110x220mm, 162x229mm, 100x148mm, 148x200mm, 120x235mm, Younaga3, 114x162mm, 98x148mm, 105x235mm

To ★G (next page)

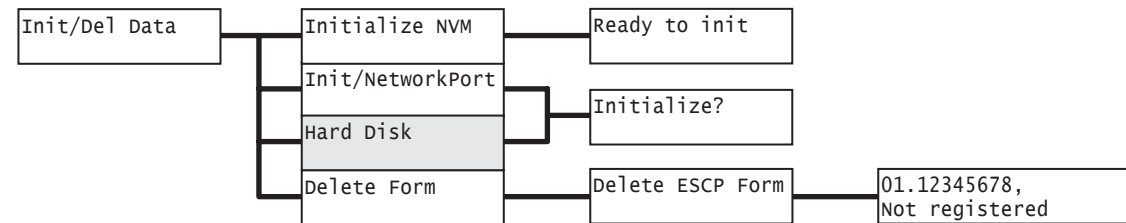
From ★G (previous page) ([Printer Settings] continued)



★H



★I



DocuPrint C3055/C3055 DX User Guide

Fuji Xerox Printing Systems Co., Ltd.

ME3677E2-1
November 2006
Copyright© 2006 Fuji Xerox Co., Ltd.

Free Manuals Download Website

<http://myh66.com>

<http://usermanuals.us>

<http://www.somanuals.com>

<http://www.4manuals.cc>

<http://www.manual-lib.com>

<http://www.404manual.com>

<http://www.luxmanual.com>

<http://aubethermostatmanual.com>

Golf course search by state

<http://golfingnear.com>

Email search by domain

<http://emailbydomain.com>

Auto manuals search

<http://auto.somanuals.com>

TV manuals search

<http://tv.somanuals.com>