

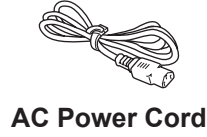
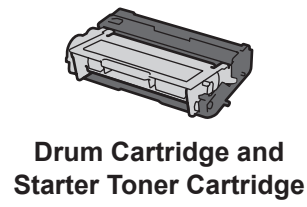
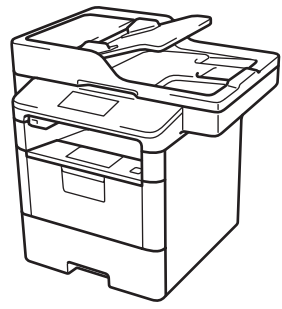


D016H2001-01  
971E 00701 MB3659E2-2 (Edition 1)  
February 2020

# Quick Setup Guide

Read the *Safety Guide* first, then read this *Quick Setup Guide* for the correct installation procedure.  
Not all models are available in all countries.

## Unpack the machine and check the components



**NOTE:**

- The available connection interfaces vary depending on the model.
- You must purchase the correct interface cable for the interface you want to use.
- The components included in the box may differ depending on your country.

**USB cable**

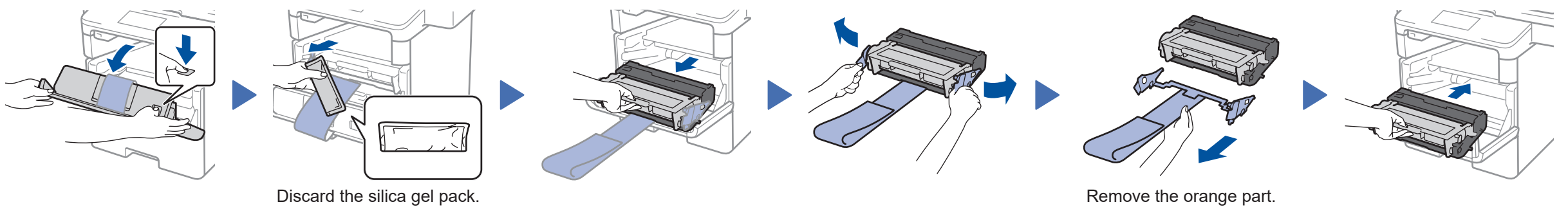
We recommend using a USB 2.0 cable (Type A/B) that is no more than 2 metres long.

**Network cable**

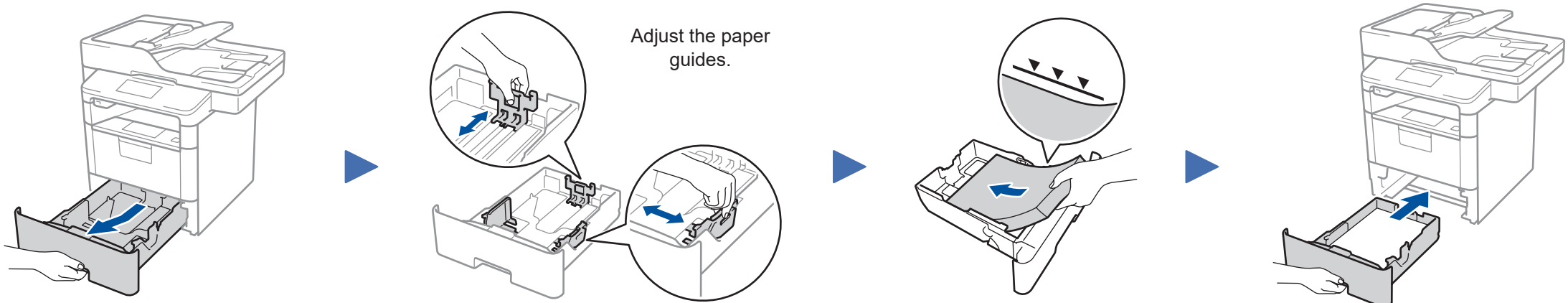
Use a straight-through Category 5 (or greater) twisted-pair cable.

- The illustrations in this Quick Setup Guide show the DocuPrint M375 z.

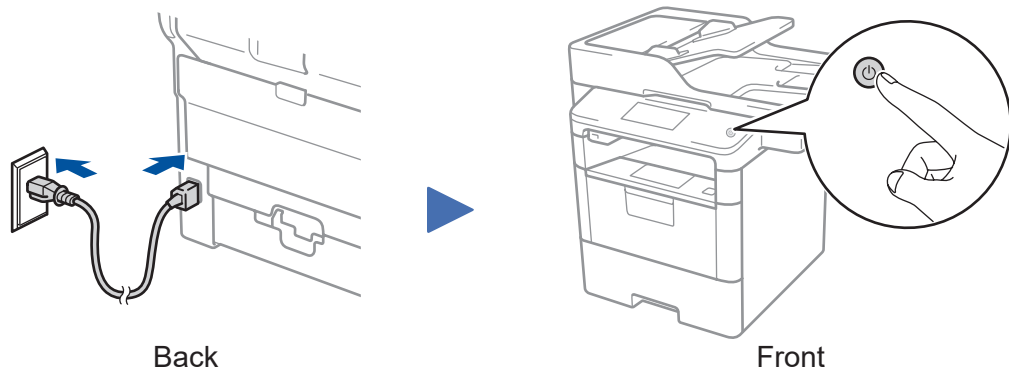
## 1 Remove the packing materials and install the drum cartridge and toner cartridge assembly



## 2 Load paper in the paper tray



## 3 Connect the power cord and turn the machine on

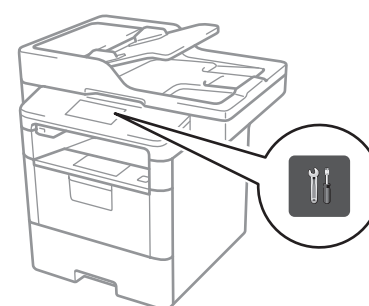


## 4 Select your country/language (Initial setup only)

After turning the machine on, you may be required to set your country or language (depending on your machine).  
If required, follow the on-screen instructions.

## 5 Select your language (if needed) (Only for certain models)

1. On the machine's Touchscreen, press [Settings] > [All Settings] > [Initial Setup] > [Local Language].
2. Press your language.
3. Press .



## 6 Select a device to connect to your machine

### Computer

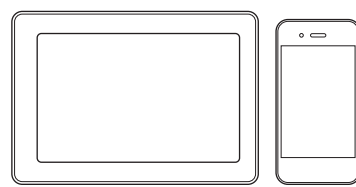


Go to **7** and follow the instructions.

**NOTE:**

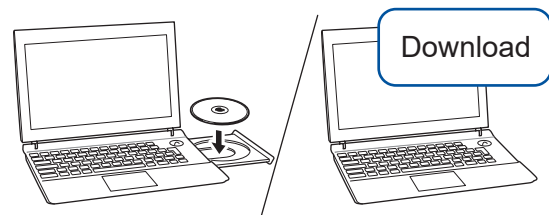
We recommend configuring wireless settings from your computer.

### Mobile Device



Go to **8** and follow the instructions.

## 7 Connect your computer



Put the installation disc into your CD/DVD drive, or download the Full Driver & Software Package by visiting the Fuji Xerox website at <http://www.fujixerox.com>.

If you are using a recently released operating system on your computer, visit the above websites for updated driver and software information.

▶ Follow the on-screen instructions and prompts.

For Windows®:

If the Fuji Xerox screen does not appear automatically, go to **Computer (This PC)**. Double-click the CD/DVD-ROM icon, and then double-click **start.exe**.

**NOTE:**

Installation under Windows® 7 may take longer than under Windows® 10.

For Mac:

For full driver functionality, we recommend choosing the **CUPS driver** when adding a printer.

▶ Finished

### Can't Connect? Check the following:



Wireless network

▶ Restart your wireless access point/router (if possible).



Wired network



USB connection

▶ Disconnect the cable.

▶ Restart your machine and computer, and then go to **7**.

▶ If still not successful, go to **8**.

## 8 Alternative wireless setup (Wireless models only)

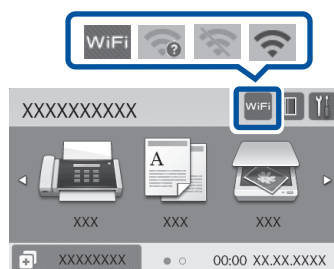
Find your SSID (Network Name) and Network Key (Password) on your wireless access point/router and write them in the table provided below.

SSID (Network Name)	
Network Key (Password)	

SSID: XXXXXXXX  
Network key: XXXX

If you cannot find this information, ask your network administrator or wireless access point/router manufacturer.

Press **WiFi** > [Setup Wizard] > [Yes].



Even if you do not have a wireless access point/router, you can connect your device and your machine directly.

Select the SSID (Network Name) for your access point/router and enter the Network Key (Password).

When the wireless setup is successful, the touchscreen displays [Connected].

If setup is not successful, restart your Fuji Xerox machine and your wireless access point/router, and repeat **8**.

### For Computer

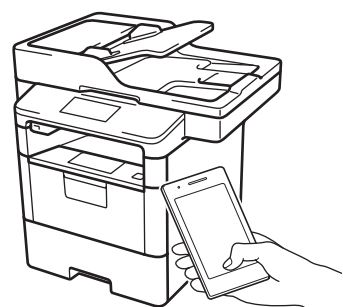
Go to **7** to install software.

### For Mobile Device

Go to **9** to install apps.

## 9 Print or scan using your mobile device

Your mobile device must be connected to the same wireless network as your Fuji Xerox machine.



Download and install the Mopria® Print Service app from Google Play™ using your Android™ device.

Download and install our free application **Fuji Xerox Print Utility** from a mobile application store, such as the App Store or Google Play™ using your mobile device.

### Optional apps

You can print from and scan to your mobile device using various apps. For instructions, see the *User Guide*.

## Free Manuals Download Website

<http://myh66.com>

<http://usermanuals.us>

<http://www.somanuals.com>

<http://www.4manuals.cc>

<http://www.manual-lib.com>

<http://www.404manual.com>

<http://www.luxmanual.com>

<http://aubethermostatmanual.com>

Golf course search by state

<http://golfingnear.com>

Email search by domain

<http://emailbydomain.com>

Auto manuals search

<http://auto.somanuals.com>

TV manuals search

<http://tv.somanuals.com>