

**Pioneer** *sound.vision.soul*

DVD-R/RW CD-R/RW WRITER  
LECTEUR DE DVD-R/RW, CD-R/RW  
DVD-R/RW-CD-R/RW-WRITER  
REGISTRATORE PER DISCHI DVD-R O -RW E CD-R O -RW  
GRABADORA DE DISCOS DVD-R/RW Y CD-R/RW  
DVR-R/RW, CD-R/RW WRITER  
DVD-R/RW CD-R/RWライター

# DVR-A05

Operating instructions  
Mode d'emploi  
Bedienungsanleitung  
Istruzioni per l'uso  
Manual de instrucciones  
Gebruiksaanwijzing  
取扱説明書



# IMPORTANT



The lightning flash with arrowhead symbol, within an equilateral triangle, is intended to alert the user to the presence of unisolated "dangerous voltage" within the product's enclosure that may be of sufficient magnitude to constitute a risk of electric shock to persons.



**CAUTION:**  
TO PREVENT THE RISK OF ELECTRIC SHOCK, DO NOT REMOVE COVER (OR BACK). NO USER-SERVICEABLE PARTS INSIDE. REFER SERVICING TO QUALIFIED SERVICE PERSONNEL.



The exclamation point within an equilateral triangle is intended to alert the user to the presence of important operating and maintenance (servicing) instructions in the literature accompanying the appliance. **H002\_En**

**NOTE:** This equipment has been tested and found to comply with the limits for a Class B digital device, pursuant to Part 15 of the FCC Rules. These limits are designed to provide reasonable protection against harmful interference in a residential installation. This equipment generates, uses, and can radiate radio frequency energy and, if not installed and used in accordance with the instructions, may cause harmful interference to radio communications. However, there is no guarantee that interference will not occur in a particular installation. If this equipment does cause harmful interference to radio or television reception, which can be determined by turning the equipment off and on, the user is encouraged to try to correct the interference by one or more of the following measures:

- Reorient or relocate the receiving antenna.
- Increase the separation between the equipment and receiver.
- Connect the equipment into an outlet on a circuit different from that to which the receiver is connected.
- Consult the dealer or an experienced radio/TV technician for help.

**H010\_En**

## Information to User

Alteration or modifications carried out without appropriate authorization may invalidate the user's right to operate the equipment.

**H011\_En**

## [For Canadian model]

This Class B digital apparatus complies with Canadian ICES-003.

## [Pour le modèle Canadien]

Cet appareil numérique de la classe B est conforme à la norme NMB-003 du Canada.

**H009\_ZL**

# DANGER – VISIBLE AND INVISIBLE LASER RADIATION WHEN OPEN. AVOID DIRECT EXPOSURE TO BEAM.

**CAUTION :** USE OF CONTROLS OR ADJUSTMENTS OR PERFORMANCE OF PROCEDURES OTHER THAN THOSE SPECIFIED HEREIN MAY RESULT IN HAZARDOUS RADIATION EXPOSURE.

**CAUTION :** THE USE OF OPTICAL INSTRUMENTS WITH THIS PRODUCT WILL INCREASE EYE HAZARD.

**H013\_En**

## VARNING!

Om apparaten används på annat sätt än i denna bruksanvisning specificerats, kan användaren utsättas för osynlig laserstrålning, som överskrider gränsen för laserklass 1.

## VAROITUS:

Laitteen käyttäminen muulla kuin tässä käyttöohjeessamainitulla tavalla saattaa altistaa käyttäjän turvallisuusluokan 1 ylittävälle näkymättömälle lasersäteilylle.

## ADVARSEL:

Usynlig laserstråling ved åbning når sikkerhedsafbrydere er ude af funktion. Undgå udsættelse for stråling.

This product complies with the EMC Directives (89/336/EEC, amended by 92/31/EEC and 93/68/EEC). **H016AE**n

Ce produit est conforme aux directives relatives à la compatibilité électromagnétique (89/336/CEE, amendements 92/31/CEE et 93/68/CEE). **H016AF**r

Dieses Produkt entspricht den EMV-Richtlinien (89/336/EEC, geändert durch 92/31/EEC und 93/68/EEC). **H016AG**e

Questo prodotto è conforme alle direttive EMC (89/336/CEE, emendate 92/31/CEE e 93/68/CEE). **H016AI**t

Dit product voldoet aan de EMC-richtlijnen (89/336/EEG, gewijzigd bij 92/31/EEG en 93/68/EEG). **H016AD**u

Denna produkt överensstämmer med föreskrifterna i EMC-direktiven (89/336/EEC, uppdaterat med 92/31/EEC och 93/68/EEC). **H016AS**w

Este producto cumple con las Directivas EMC (89/336/CE, correcto por la 92/31/CE y la 93/68/CE). **H016AP**p

Este produto cumpre com as Directivas EMC (89/336/CE, corrigida por a 92/31/CE e a 93/68/CE). **H016BP**o

Dette produkt er i overensstemmelse med direktivet vedrørende elektromagnetisk kompatibilitet 89/336/EØF, ændret ved direktiverne 92/31/EØF og 93/68/EØF. **H016BD**a

Tämä tuote on EMC -Direktiivin (89/336/EEC, muutettu 92/31/EEC ja 93/68/EEC) mukainen. **H016AF**i

	<b>사용자 안내문</b>
<b>B 급기기</b>	이 기기는 비업무용으로 전자파 장애 검정을 받은 기기로서 주거지역에서는 물론 모든 지역에서 사용할 수 있습니다. <b>H036K</b> o

**FEDERAL COMMUNICATIONS COMMISSION  
DECLARATION OF CONFORMITY**

*This device complies with part 15 of the FCC Rules. Operation is subject to the following two conditions: (1) This device may not cause harmful interference, and (2) this device must accept any interference received, including interference that may cause undesired operation.*

Product Name: DVD-R/RW CD-R/RW WRITER  
 Model Number: DVR-A05  
 Responsible Party Name: PIONEER ELECTRONICS (USA) INC.  
 Customer Support Division  
 Address: 1925 E. DOMINGUEZ ST. LONG BEACH, CA 90810 U.S.A.  
 Phone: (310) 952-2820

Thank you for buying this Pioneer product.

Please read through these operating instructions so you will know how to operate your model properly. After you have finished reading the instructions, put them away in a safe place for future reference.

K015 En

**WARNING:** THE APPARATUS IS NOT WATERPROOFS, TO PREVENT FIRE OR SHOCK HAZARD, DO NOT EXPOSE THIS APPARATUS TO RAIN OR MOISTURE AND DO NOT PUT ANY WATER SOURCE NEAR THIS APPARATUS, SUCH AS VASE, FLOWER POT, COSMETICS CONTAINER AND MEDICINE BOTTLE ETC.

H001BE<sub>n</sub>

*The Generation of Acoustical Noise Is Less Than 70dB.  
(ISO7779/DIN45635)*

#### CAUTION

This product contains a laser diode of higher class than 1. To ensure continued safety, do not remove any covers or attempt to gain access to the inside of the product.  
Refer all servicing to qualified personnel.

The following caution label appears on your unit.

Location: on top of the cover.



**CLASS 1 LASER PRODUCT  
LASER KLASSE 1**

H018A\_En

For pluggable equipment the socket-outlet shall be installed near the equipment and shall be easily accessible.

### IMPORTANT NOTICE

Record the model number and serial numbers of this equipment below. The numbers are on the top panel.

Model No. **DVR-A05** \_\_\_\_\_

Serial No. \_\_\_\_\_

Keep these numbers for future use.

H059 En

# SAFETY INSTRUCTIONS

To ensure your personal safety and to maximize the full operating potential of your Drive, read and follow these safety precautions:

**ENVIRONMENT** - Please do not use the unit at places with much dust, high temperature, or high humidity. Please use the unit at a place where it is not subjected to vibrations or shocks.

**POWER** - Turn off your system and attached hardware devices before installation.

**READ INSTRUCTIONS** - Read all safety and operating instructions before the Drive is operated.

**RETAIN INSTRUCTIONS** - Retain the safety and operating instructions for future reference.

**FOLLOW INSTRUCTIONS** - Follow all operating and use instructions.

**HEED WARNINGS** - All warnings must be adhered to.

**CLEANING - DO NOT** use liquid, aerosol cleaners, or alcohol. Use only a damp cloth to clean the exterior housing.

**WATER AND MOISTURE - DO NOT** use this product near water.

**POWER SOURCES** - Operate this product from the type of power source indicated on the marking label. If you are not sure of the type of power available, consult Authorized Pioneer Dealer.

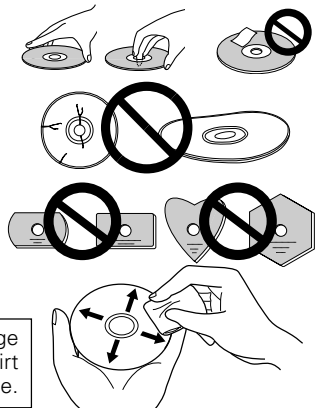
**OVERLOADING - DO NOT** overload wall outlets and extension cords. Doing so can result in fire or electric shock.

**OBJECT AND LIQUID ENTRY** - Never push objects of any kind into this product. Touching dangerous voltage points may cause a short resulting in fire or electric shock. Do not spill liquid of any kind on this product.

**CONDENSATION** - Moisture will form in the operating section of the product causing performance to be impaired if it is brought from cool surroundings into a warmer environment. If you are moving the unit to a location with a warmer temperature, let the product stand for 1-2 hours in the new location before turning it back on.

**SERVICING** - Do not attempt to repair this product yourself. Opening or removing covers may expose you to dangerous voltage or other hazards. Refer all servicing to qualified service personnel. (Refer to the enclosed Service and Support Card.)

- Avoid touching or scratching the signal surface (shiny side) of the disc.
- Hold the disc by the edges or by the center hole and one edge.
- Do not affix paper or labels to the disc.
- Discard warped or cracked discs as they may cause damage to the drive.
- Avoid specially shaped discs such as hearts or polygons.
- Remove dust or lint from the disc with a soft cloth by wiping from the inside to the outside edge rather than in a circular motion.
- Do not use record-cleaning or anti-static agents as the solutions may cause damage to a disc.



Always be sure to store your discs in proper DVD-R storage cases when not in use, and always be sure to check for dirt or dust on discs (especially on the recording side) before use.

# FEATURES

---

- Write Speed
  - CLV 1X and 2X at DVD-R
  - CLV 1X, 2X and 4X at High-Speed DVD-R
  - CLV 1X at DVD-RW
  - CLV 1X and 2X at High-Speed DVD-RW
  - CLV 4X, 8X, 12X and 16X at CD-R
  - CLV 4X at CD-RW
  - CLV 4X and 8X at High-Speed CD-RW
- Maximum Read Speed
  - CAV 12X at DVD-ROM (single)
  - CAV 8X at DVD-ROM (dual)
  - CAV 6X at DVD-R, DVD-RW
  - CAV 32X at CD-ROM, CD-R, CD-RW
- Buffer Memory Size :
  - 2 MBytes (Write/Read)
- IDE Data Transfer Mode :
  - PIO Mode 4/Multi Word DMA Mode 2/Ultra DMA Mode 2
- Supports Video CD
- 5.25inch Half-Height built in type
- Stereo Audio Output
- Head Phone Output & Head Phone Volume
- LCD Tilt Servo Mechanism
- Horizontal/Vertical orientation available
- Low vibration Mechanism by DRA system
- Supports CD text format

## Disc Format (Read/Write)

- DVD single layer/dual layer /120 mm disc/80 mm disc
- DVD-R (In case of write, 650nm disc for General only.)
- High-Speed DVD-R (4X-SPEED DVD-R Revision 1.0)
- DVD-RW
- High-Speed DVD-RW (2X-SPEED DVD-RW Revision 1.0)
- CD-ROM Mode 1
- CD-ROM XA Mode2 (form 1, form2)
- Photo CD (single and multiple session)
- CD-DA
- CD-Extra (CD PLUS)
- CD-R
- CD-RW, High-Speed CD-RW

### Note:

*Specific application program that support above format is needed to write.*

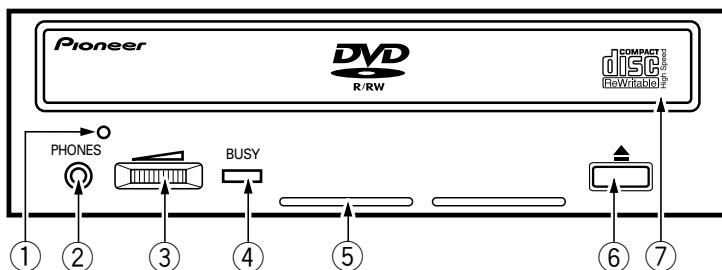
## ABOUT REGION CODES

The region code can be changed **ONLY 5 times**, including the 1st setting. Please be aware the 5th change will be PERMANENT, therefore, please pay attention when changing region codes.

- Region codes are part of the DVD Standard. However, Region codes on DVD discs are optional. DVD discs with no specified Region code can be played on all players.

# INTERFACE

## FRONT VIEW



### ① **Forced Ejection Hole**

Insert a stiff rod into the hole and push to eject the tray when the tray doesn't unload by pressing the Eject button. In the normal operation, the eject button should be used to unload the tray. Make sure the power of the drive is turned off and wait more than one minute till the disc rotation is stopped when access the eject hole.

### ② **Headphone Jack (PHONES)**

Stereo mini jack for head-phone.

Set "Volume Control Knob" minimum position before inserting headphone jack.

The audio output of rear panel is active even when a jack is inserted into the headphone plug.

### ③ **Volume Control Knob**

This is the volume control knob for adjusting sound level on the headphone.

When the knob is turned to the right, the headphone volume goes up, when turned to the left, the volume goes down.

### ④ **BUSY Indicator**

Operation status is indicated as follows.

During reading	Lights
During writing	Lights

### ⑤ **Ventilation Hole**

Do not block this part.

### ⑥ **Eject Button (▲)**

To unload /load the disc, press the button.

### ⑦ **Disc Tray**

Open the loading tray by pressing the eject button, then place a CD or DVD disc into the slit with the label facing up.

Press the eject button or push the front part of tray to load the tray with the disc.

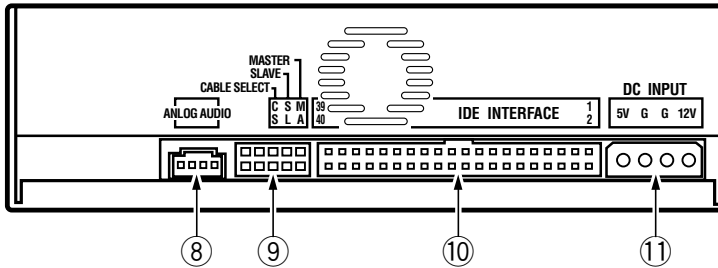
**Do not attempt to pull out the disc tray forcibly.**

## **Precautions on playing 8 cm (3.15") Discs**

An 8 cm (3.15") disc cannot be played even an adapter is attached to the disc when the drive is upright condition.

# INTERFACE

## REAR VIEW



### ⑧ Audio Output

This is a connector for output of analog audio.

This connector is compatible with 'Molex 70553', choose a suitable connection cable.

Pin	Name	Function
1	L	Left channel audio output.
2	G	Ground.
3	G	Ground.
4	R	Right channel audio output.

### ⑨ Device Configuration Jumper

Switch becomes ON when short socket is put.

Make sure the power of the drive is off before changing jumper setting.

Pin # 1 is ON at the time of shipping from the plant.

Pin	Name	Function
1	MA	on   The drive is used in master mode.
2	SL	on   The drive is used in slave mode.
3	CS	on   Using Cable Select function.
4		Reserved.
5		Reserved.

### ⑩ Host IDE Interface

This is a 40 pin I/O connector according to the ATA specifications.

### ⑪ DC Input

Pin	Name	Function
1	+12	Power supply input for DC +12 V.
2	G	Ground.
3	G	Ground.
4	+5	Power supply input for DC +5 V.



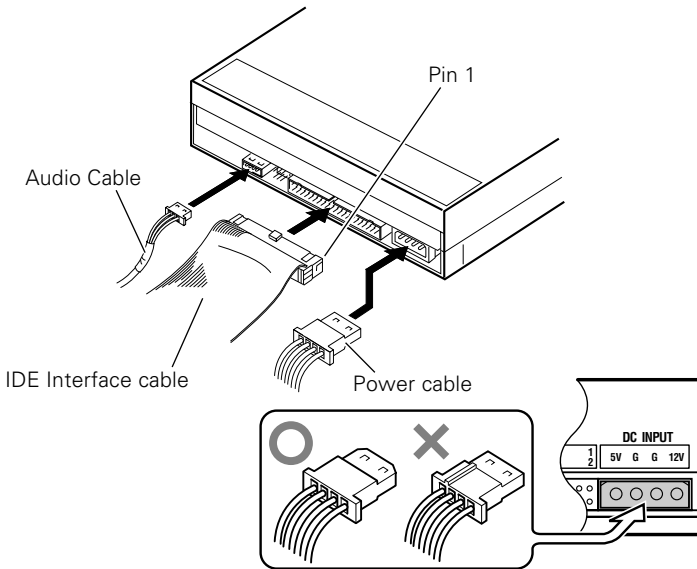
# INSTALLATION

---

- ① Turn off the power of the personal computer and remove the power cord from the AC outlet, then remove the cover or the front panel.
  - ② Remove the blank panel installed on the front of the 5.25 inch slot.
  - ③ Install the fixing slide rails on the drive. (When slide rails are required, please contact your shop or the computer manufacturer.)
  - ④ Insert the drive into the slot.
  - ⑤ When fixing is required, please refer to the instruction manual for the computer.
- 
- Please use screws with a length of 5 mm (3/16 in.) or less for mounting. Using longer screws may cause damage on the drive.
  - When the mounting screws are loose etc., the vibrations from disc rotation may generate ripping noise, to prevent it the screws should be tightened securely.

# CONNECTIONS

---



- Turn off the power supply of the personal computer.
- Connect the power cable from the personal computer. At the time of connection, pay attention to the polarity of the cable.
- Connect the IDE interface cable. At this time, confirm that pin 1 of the IDE connector of the drive is connected correctly to pin 1 of the cable.
- When a sound card is being used, connect the audio output with an audio cable to the sound card.

Be sure to supply electrical power for this product from the personal computer which is connected to it. Do not use any other power supply than the internal one of the personal computer.

# SPECIFICATIONS

## [Setting]

This drive is Horizontal and Vertical Use.

## [Disc Size]

- 12 cm (4.72") / 8 cm (3.15")\*  
\* 8 cm (3.15") discs cannot be used at upright position.

## [Data Transfer Rate]

Data Read (Sustained)

DVD	Max. 16.62 MBytes/sec.
CD	Max. 4.92 MBytes/sec. (13.7 – 32X CAV Mode over 16 block transfer)

Data Write (Sustained)

DVD	Ave. 5.54 MBytes/sec. (4X DVD-R)
CD	Ave. 2.46 MBytes/sec. (16X CD-R)

Host Interface specification

PIO Mode 4, Multi word DMA Mode 2	16.6 MBytes/sec.
Ultra DMA Mode 2	33.3 MBytes/sec.

- The data transfer rate may not be output due to disc conditions (scratches, etc.).

## [Access Time/ Seek Time]

Access time (Random average)

DVD-ROM 140 ms	CD-ROM 130 ms
----------------	---------------

Seek time (Random average)

DVD-ROM 120 ms	CD-ROM 100 ms
----------------	---------------

## [Audio Characteristic]

Line Out 0.7 ± 0.1 Vrms (at 10 kΩ load)

Headphone Out 0.7 ± 0.2 Vrms (at 32 Ω load)

## [Others]

Power Supply DC +12 V, 0.6 A  
DC +5 V, 1.1 A

Dimensions 148 (W) x 42.3 (H) x 198 (D) mm  
(including front panel) 5-27/32 (W) x 1-11/16 (H) x 7-25/32 (D) in.

Weight 1.1 kg (2.43 lb)

Operation temperature +5°C to +45°C (41°F to 113°F)

Operation humidity 5% to 85% (no condensation)

Storage temperature –40°C to +60°C (–40°F to 140°F)

Storage humidity 5% to 90% (no condensation)

## [Accessories]

Short-circuit socket x 1

Audio cable x 1

Mounting screw x 4

Operating instructions x 1

## NOTE:

- Specifications and design subject to possible modifications without notice, due to improvements.

Nous vous remercions pour cet achat d'un produit Pioneer.  
Nous vous demandons de lire soigneusement ce mode d'emploi ; vous serez ainsi à même de faire fonctionner l'appareil correctement. Après avoir bien lu le mode d'emploi, le ranger dans un endroit sûr pour pouvoir s'y référer ultérieurement.

K015 Fr

**ATTENTION:** CET APPAREIL N'EST PAS IMPERMEABLE, AFIN DE PREVENIR TOUT RISQUE DE CHOC ELECTRIQUE OU DE DEBUT D'ENCENDIE, NE PAS EXPOSER CET APPAREIL A L'HUMIDITE OU A LA PLUIE ET NE PLACER AUPRES DE LUI AUCUNE SOURCE D'EAU, TELS QUE VASES, POTS DE FLEUR, COSMETIQUES, FLACONS DE MEDICAMENTS, ETC.

H001Afr

*La production de bruits acoustiques est inférieure à 70 dB.  
(ISO7779/DIN45635)*

## IMPORTANT



Ce symbole de l'éclair, placé dans un triangle équilatéral, a pour but d'attirer l'attention de l'utilisateur sur la présence, à l'intérieur du coffret de l'appareil, de tensions dangereuses non isolées d'une grandeur suffisante pour représenter un risque d'électrocution pour les êtres humains.



**ATTENTION:**  
POUR EVITER TOUT RISQUE D'ELECTROCUTION, NE PAS ENLEVER LE COUVERCLE (NI LE PANNEAU ARRIERE). AUCUNE PIECE REPARABLE PAR L'UTILISATEUR NE SE TROUVE A L'INTERIEUR. CONFIER TOUT ENTRETIEN A UN PERSONNEL QUALIFIE UNIQUEMENT.



Ce point d'exclamation, placé dans un triangle équilatéral, a pour but d'attirer l'attention de l'utilisateur sur la présence, dans les documents qui accompagnent l'appareil, d'explications importantes du point de vue de l'exploitation ou de l'entretien.

H002Afr

## ATTENTION

Ce produit renferme une diode à laser d'une catégorie supérieure à 1. Pour garantir une sécurité constante, ne pas retirer les couvercles ni essayer d'accéder à l'intérieur de l'appareil. Pour toute réparation, s'adresser à un personnel qualifié.

L'étiquette d'avertissement suivante apparaît sur votre appareil.  
Emplacement: sur le dessus du couvercle.

**CLASS 1 LASER PRODUCT  
LASER KLASSE 1**

H018A\_Fr

Dans le cas d'appareils enfichables, la prise doit être facilement accessible et placée le plus près possible de l'appareil.

# INSTRUCTIONS DE SECURITE

Pour garantir votre sécurité personnelle et obtenir le maximum de votre lecteur, lire et suivre ces consignes de sécurité:

**ENVIRONNEMENT** - Ne pas utiliser cet appareil dans des endroits avec beaucoup de poussière, une température ou une humidité élevée. Utiliser l'appareil à un endroit où il n'est pas soumis à des vibrations ou des chocs.

**PUISSANCE** - Couper l'alimentation du système et des dispositifs joints avant l'installation.

**LIRE LES INSTRUCTIONS** - Lire toutes les instructions de sécurité et d'utilisation avant d'actionner le lecteur.

**CONSERVER LES INSTRUCTIONS** - Garder les instructions de sécurité et d'utilisation pour une future référence.

**SUIVRE LES INSTRUCTIONS** - Suivre toutes les instructions de fonctionnement et d'utilisation.

**ATTENTION AUX AVERTISSEMENTS** - Observer tous les avertissements.

**NETTOYAGE - NE PAS** utiliser de liquides, de détachants en aérosol ou de l'alcool. N'utiliser qu'un chiffon humide pour nettoyer les surfaces extérieures du boîtier.

**EAU ET HUMIDITE - NE PAS** utiliser ce produit à proximité d'eau.

**SOURCES D'ALIMENTATION** - Utiliser ce produit avec le type d'alimentation indiqué sur l'étiquette de fabrication. En cas de doute à propos du type d'alimentation disponible, consulter un revendeur Pioneer agréé.

**SURCHARGE - NE PAS** surcharger les prises murales et les rallonges pour ne pas entraîner d'incendie ou de secousse électrique.

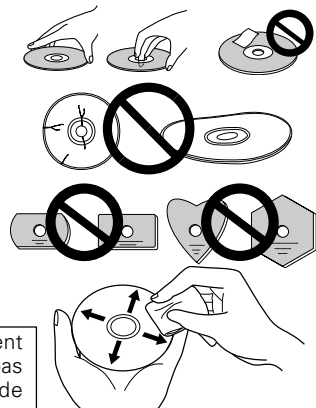
**PENETRATION D'OBJETS ET DE LIQUIDES** - Ne jamais enfoncer d'objet d'aucune sorte dans ce produit. Le contact avec des points de tension dangereux peut provoquer un court-circuit, entraînant un incendie ou une secousse électrique. Ne pas verser de liquide d'aucune sorte sur ce produit.

**CONDENSATION** - De l'humidité se forme sur la section de fonctionnement du produit entraînant une baisse de performances s'il est amené d'un endroit frais vers un environnement plus chaud. En cas de déplacement de l'appareil vers un endroit ayant une température plus chaude, laisser le produit pendant 1 à 2 heures dans le nouvel endroit avant de le remettre sous tension.

**ENTRETIEN** - Ne pas essayer de réparer soi-même ce produit. L'ouverture ou le retrait des capots peut vous exposer à une tension dangereuse ou d'autres dangers. Pour tout entretien, demander à un personnel d'entretien qualifié. (Se reporter à la carte d'entretien et de support jointe.)

- Evitez de toucher ou de griffer la surface du disque sur laquelle sont enregistrés les signaux (surface brillante).
- Saisissez le disque par les bords ou par le centre et un bord.
- Ne collez pas de papier ou d'étiquette sur le disque.
- Jetez les disques fissurés ou voilés, car ils peuvent endommager le lecteur.
- Evitez les disques de forme spéciale, notamment ceux en forme de coeur ou de polygone.
- Eliminez la poussière ou les peluches du disque à l'aide d'un linge doux en frottant de l'intérieur vers l'extérieur et non en effectuant un mouvement circulaire.
- N'utilisez jamais de produit de nettoyage pour disque ou d'agent antistatique, car ces solutions peuvent endommager le disque.

Rangez toujours vos disques dans les boîtes de rangement de DVD-R prévues à cet effet lorsque nous ne les utilisons pas et vérifiez s'ils ne sont pas couverts de saletés ou de poussières (surtout sur la face enregistrée) avant de les utiliser.



# CARACTERISTIQUES

---

- Vitesse d'écriture
  - Vitesse linéaire constante 1X et 2X pour DVD-R
  - Vitesse linéaire constante 1X, 2X et 4X pour DVD-R haute vitesse
  - Vitesse linéaire constante 1X pour DVD-RW
  - Vitesse linéaire constante 1X et 2X pour DVD-RW haute vitesse
  - Vitesse linéaire constante 4X, 8X, 12X et 16X pour CD-R
  - Vitesse linéaire constante 4X pour CD-RW
  - Vitesse linéaire constante 4X et 8X pour CD-RW haute vitesse
- Vitesse de lecture maximale
  - Vitesse angulaire constante 12X pour DVD-ROM (simple)
  - Vitesse angulaire constante 8X pour DVD-ROM (double)
  - Vitesse angulaire constante 6X pour DVD-R, DVD-RW
  - Vitesse angulaire constante 32X pour CD-ROM, CD-R, CD-RW
- Taille de la mémoire tampon :
  - 2 Mo (écriture/lecture)
- Mode de transfert de données IDE :
  - PIO mode 4 / DMA multi-mot mode 2 / Ultra DMA mode 2
- Prise en charge des CD vidéo
- Type intégré 5,25 pouces demi-hauteur
- Sortie audio stéréo
- Sortie casque et volume casque
- Servomécanisme de bascule d'écran à cristaux liquides
- Orientation horizontale / verticale au choix
- Mécanisme à faible vibration par système DRA
- Prise en charge du format CD text

## Format du disque (lecture/écriture)

- DVD simple couche / double couche / disque de 120 mm / disque de 80 mm
- DVD-R (en cas d'écriture, disque de 650 nm pour usage général seul)
- DVD-R haute vitesse (DVD-R VITESSE 4X Révision 1.0)
- DVD-RW
- DVD-RW haute vitesse (DVD-RW VITESSE 2X Révision 1.0)
- CD-ROM Mode 1
- CD-ROM XA Mode 2 (forme 1, forme 2)
- CD Photo (une session ou plusieurs sessions)
- CD-DA
- CD-Extra (CD PLUS)
- CD-R
- CD-RW, CD-RW haute vitesse

### Remarque :

*Un programme d'application prenant en charge le format ci-dessus est nécessaire pour l'écriture.*

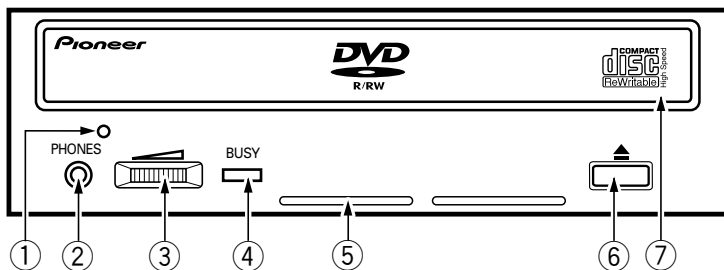
## A PROPOS DES CODES REGIONAUX

Le code régional peut être modifié **5 fois SEULEMENT** (premier réglage compris). Comme la cinquième modification sera DÉFINITIVE, soyez particulièrement prudent lorsque vous décidez de modifier les codes régionaux.

- Les codes régionaux sont couverts par la norme DVD. Toutefois, les codes régionaux des disques DVD sont facultatifs. Les disques DVD qui ne possèdent pas de code régional peuvent être reproduits sur tous les lecteurs.

# INTERFACE

## VUE AVANT



### ① Orifice d'éjection forcée

Insérer une tige rigide dans l'orifice et pousser pour éjecter le tiroir lorsque celui-ci ne s'ouvre pas lors d'un appui sur la touche d'éjection. En fonctionnement, utiliser uniquement la touche d'éjection pour ouvrir le tiroir. Veiller à ce que l'alimentation du lecteur soit coupée et attendre l'arrêt de la rotation du disque pendant plus d'une minute avant de tenter d'éjecter le tiroir au moyen de l'orifice d'éjection.

### ② Prise casque (PHONES)

Prise mini jack pour casque.

Régler le volume au niveau le plus bas à l'aide de la « molette de contrôle de volume » avant d'insérer la fiche jack dans la prise.

La sortie audio de la face arrière est active même lorsque une fiche jack est insérée dans la prise casque.

### ③ Molette de contrôle de volume

Permet de régler le niveau sonore du casque.

Le volume augmente lorsqu'on tourne la molette vers la droite et diminue lorsqu'on la tourne vers la gauche.

### ④ Voyant BUSY (occupé)

L'état de fonctionnement est signalé comme suit:

Pendant la lecture	S'allume
Pendant l'écriture	S'allume

### ⑤ Orifice de ventilation

Ne pas obstruer ces éléments.

### ⑥ Touche d'éjection (▲)

Pour décharger / charger le disque, appuyer sur la touche.

### ⑦ Tiroir du disque

Ouvrir le tiroir de chargement en appuyant sur la touche d'éjection, puis placez un CD ou un DVD dans l'emplacement prévu avec l'étiquette tournée vers le haut. Appuyer sur la touche d'éjection ou sur la partie avant du tiroir pour charger le disque.

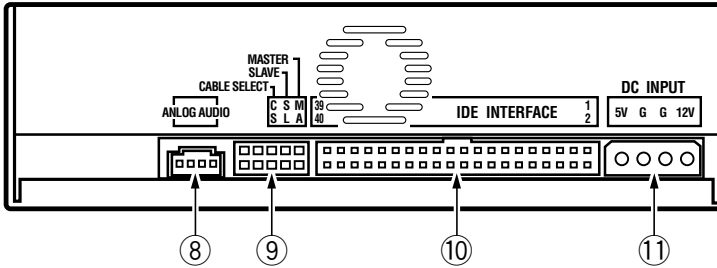
**N'essayez pas de retirer de force le plateau du disque.**

## Précautions à prendre lors de la lecture de disques de 8 cm

Les disques de 8 cm ne peuvent pas être lus par le lecteur même en utilisant un adaptateur intermédiaire au disque lorsque le lecteur est placé en position verticale.

# INTERFACE

## VUE DE LA FACE ARRIERE



### ⑧ Sortie audio

Connecteur pour sortie analogique audio.

Ce connecteur est compatible avec la norme « Molex 70553 ». Choisir un câble de connexion approprié.

Broche	Nom	Fonction
1	L	Sortie audio voie de droite (Left)
2	G	Terre
3	G	Terre
4	R	Sortie audio voie de gauche (Right)

### ⑨ Cavalier de configuration

ON signifie que le cavalier réunit les deux broches de cette position.

Veiller à ce que l'alimentation du lecteur soit coupée avant de changer la configuration du cavalier. La broche n° 1 est configurée sur ON en usine.

Broche	Nom	Fonction
1	MA	on   Le lecteur est utilisé en mode maître (Master).
2	SL	on   Le lecteur est utilisé en mode esclave (Slave).
3	CS	on   Utilisation de la fonction de sélection par câble (Cable Select).
4		Réservé.
5		Réservé.

### ⑩ Interface IDE avec l'hôte

Connecteur d'E/S 40 broches conforme aux spécifications ATA.

### ⑪ Entrée cc (DC)

Broche	Nom	Fonction
1	+12	Entrée cc +12 V
2	G	Terre
3	G	Terre
4	+5	Entrée cc +5 V

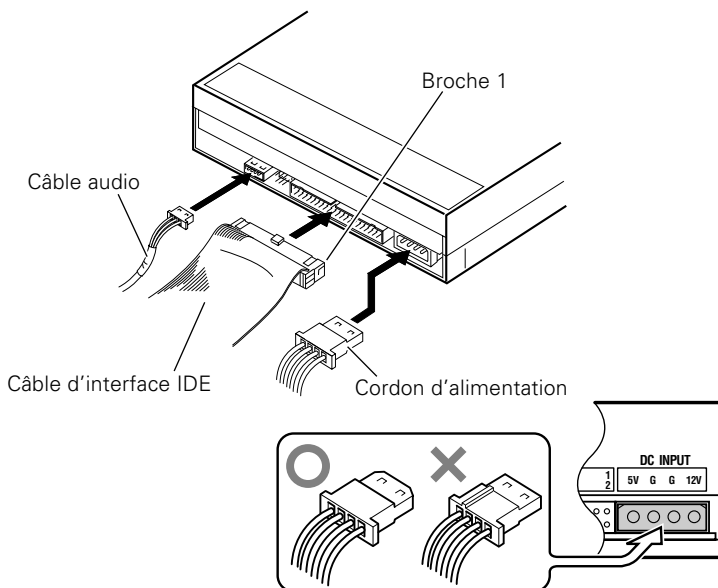


# INSTALLATION

---

- ① Couper l'alimentation de l'ordinateur personnel, débrancher le cordon d'alimentation et déposer le capot ou le panneau avant.
  - ② Retirer la plaque masquant de la fente de 5,25 pouces.
  - ③ Poser les glissières de fixation sur le lecteur. (S'adresser au magasin ou au fabricant de l'ordinateur lorsque des glissières sont nécessaires.)
  - ④ Introduire le lecteur dans la fente.
  - ⑤ Lorsqu'il est nécessaire de fixer le lecteur, se reporter au manuel d'instruction de l'ordinateur.
- Utiliser des vis ayant une longueur inférieure ou égale à 5 mm. L'utilisation de vis plus longues pourrait endommager le lecteur.
  - Lorsque les vis de fixation ne sont pas suffisamment serrées, etc., les vibrations provoquées par la rotation du disque peuvent générer un bruit de déchirure et il faut donc serrer les vis solidement pour éliminer ce bruit.

# RACCORDEMENT



- Mettre l'ordinateur personnel hors tension.
- Connecter le cordon d'alimentation de l'ordinateur personnel. Respecter la polarité du cordon lors du raccordement.
- Connecter le câble d'interface IDE. Confirmer que la broche 1 du connecteur IDE du lecteur est bien connectée à la broche 1 du câble.
- En cas d'utilisation d'une carte de sons, connecter la sortie audio à la carte de son à l'aide d'un câble audio.

N'oubliez pas que l'alimentation de cet appareil doit être fournie par l'ordinateur auquel il est relié. N'utilisez aucune autre alimentation que celle de l'ordinateur personnel.

# FICHE TECHNIQUE

## [Position]

Ce lecteur doit être utilisé en position horizontale et verticale.

## [Taille du disque]

- 12 cm / 8 cm\*

\* Les disques de 8 cm ne peuvent pas être utilisés en position verticale.

## [Vitesse de transfert des données]

Lecture de données (Soutenu)

DVD	Max. 16,62 Mo/s
CD	Max. 4,92 Mo/s (Mode de vitesse angulaire constante 13,7 à 32X sur 16 transferts de blocs)

Écriture de données (Soutenu)

DVD	Moy. 5,54 Mo/s (Écriture 4X sur DVD-R)
CD	Moy. 2,46 Mo/s (Écriture 16X sur CD-R)

Spécification d'interface de l'hôte

PIO Mode 4, DMA Mode 2 multi-mot à 16,6 Mo/s
Ultra DMA Mode 2 à 33,3 Mo/s

- La vitesse de transfert des données peut varier en fonction de l'état du disque (rayures, etc.).

## [Temps d'accès / temps de recherche]

Temps d'accès (Moyenne aléatoire)

DVD-ROM 140 ms	CD-ROM 130 ms
----------------	---------------

Temps de recherche (Moyenne aléatoire)

DVD-ROM 120 ms	CD-ROM 100 ms
----------------	---------------

## [Caractéristiques Audio]

Sortie ligne	0,7 ±0,1 Veff. (Charge de 10 kΩ)
Sortie casque	0,7 ±0,2 Veff. (Charge de 32 Ω)

## [Autres]

Alimentation	+12 VCC, 0,6 A
	+5 VCC, 1,1 A

Dimensions externes (façade comprise)

148 (L) x 42,3 (H) x 198 (P) mm

Poids 1,1 kg

Température de fonctionnement +5 °C à +45 °C

Humidité de fonctionnement 5 % à 85 % (sans condensation)

Température de remisage -40 °C à +60 °C

Humidité de remisage 5 % à 90 % (sans condensation)

## [Accessoires]

Cavalier	x 1
Câble audio	x 1
Vis de fixation	x 4
Mode d'emploi	x 1

## REMARQUE:

- Les caractéristiques techniques et présentation de ce produit sont sujets à des changements sans préavis pour améliorations.

Wir danken Ihnen für den Kauf dieses Pioneer-Produkts.  
Lesen Sie sich bitte diese Bedienungsanleitung durch. Dann wissen Sie, wie Sie Ihr Gerät richtig bedienen. Bewahren Sie sie an einem sicheren Platz auf, um auch zukünftig nachschlagen zu können.

K015 Ge

**WARNUNG:** DIESES GERÄT IST NICHT WASSERUNDURCHLÄSSIG. UM EINEN BRAND ODER STROMSCHLAG ZUVERMEIDEN, DIESES GERÄT NICHT REGEN ODER FEUCHTIGKEIT AUSSETZEN UND KEINEN BEHÄLTER MIT WASSER, WIE VASEN, BLUMENTÖPFE, KOSMETIKBEHÄLTER UND MEDIZINFLASCHEN, IN DER NÄHE DIESES GERÄTS STELLEN.

H001AGe

*Das Geräuschaufkommen beträgt weniger als 70 dB.  
(ISO 7779/DIN 45635)*

## WICHTIG



Das Blitzsymbol in einem Dreieck weist den Nutzer darauf hin, dass eine Berührungsgefahr mit nicht isolierten Teilen im Geräteinneren, die eine gefährliche Spannung führen, besteht. Die Spannung kann so hoch sein, dass sie die Gefahr eines elektrischen Schlags bei Personen birgt.



**ACHTUNG:**  
UM SICH NICHT DER GEFAHR EINES ELEKTRISCHEN SCHLAGS, AUSZUSETZEN, DÜRFEN SIE NICHT DEN DECKEL (ODER DIE RÜCKSEITE) ENTFERNEN. IM GERÄTEINNEREN BEFINDEN SICH KEINE VOM NUTZER REPARIERBARE TEILE. ÜBERLASSEN SIE REPARATUREN DEM QUALIFIZIERTEN KUNDENDIENST.



Ein Ausrufungszeichen in einem Dreieck weist den Nutzer auf wichtige Bedienungs- und Wartungsanweisungen in den Dokumenten hin, die dem Gerät beiliegen.

H002AGe

## VORSICHT

Dieses Gerät enthält eine Laserdiode mit einer höheren Klasse als 1. Um einen stets sicheren Betrieb zu gewährleisten, weder irgendwelche Abdeckungen entfernen, noch versuchen, sich zum Geräteinneren Zugang zu verschaffen. Alle Wartungsarbeiten sollten qualifiziertem Kundendienstpersonal überlassen werden.

Das nachstehende Hinweisschild befindet sich am Gerät.  
Anbringstelle: auf der Deckeloberseite.

**CLASS 1 LASER PRODUCT  
LASER KLASSE 1**

H018A\_Ge

Bei Geräten mit Steckern sollte sich der Ausgangsstecker nahe dem anderen Gerät befinden und einfach zugänglich sein.

# SICHERHEITSANWEISUNGEN

Um Ihre eigene Sicherheit sicherzustellen, und um die volle Funktion Ihres DVD-R/RW-writers zu maximieren, lesen Sie diese Sicherheitsvorschriften bitte sorgfältig durch:

**BETRIEBSBEDINGUNGEN** - Betreiben Sie das Gerät nicht an Orten, wo starkes Staubaufkommen, hohe Temperaturen und hohe Luftfeuchtigkeiten vorherrschen. Wählen Sie einen Ort, wo keine Vibrationen bzw. starke Erschütterungen auf das Gerät einwirken können.

**SPANNUNG** - Vor dem Einbau des DVD-R/RW-writers sind der Computer und sämtliche angeschlossenen Peripheriegeräte auszuschalten.

**LESEN SIE DIE ANLEITUNGSSCHRITTE** - Vor der Inbetriebnahme des DVD-R/RW-writers sind alle Sicherheits- und Betriebsanleitungen durchzulesen.

**AUFBEWAHRUNGSHINWEISE** - Bewahren Sie die Sicherheits- und Betriebsanleitungen für zukünftige Benutzung griffbereit auf.

**BEFOLGUNG DER ANLEITUNGSSCHRITTE** - Befolgen Sie bitte alle Bedienungs- und Handhabungshinweise.

**BEACHTUNG ALLER WARNUNGEN** - Sämtliche Warnhinweise müssen sorgfältig beachtet werden.

**REINIGUNG - KEIN** flüssiges Reinigungsmittel, Reinigungssprühmittel oder Alkohol verwenden. Benutzen Sie zum Reinigen des äußeren Gehäuses ausschließlich einen feuchten Lappen.

**WASSER UND FEUCHTIGKEIT** - Betreiben Sie das Gerät **NIEMALS** in unmittelbarer Nähe von Wasser!

**STROMVERSORGUNG** - Betreiben Sie das Gerät nur mit dem Stromversorgungstyp, der auf dem Aufkleber angegeben ist. Wenn Sie sich über die vorliegende Netzspannung nicht sicher sind, sprechen Sie bitte mit Ihrem autorisierten Pioneer-Händler.

**NETZÜBERLASTUNG - NIEMALS** Wandsteckdosen und Verlängerungskabel überlasten! Ein Brand oder Stromschlag können die Folge sein.

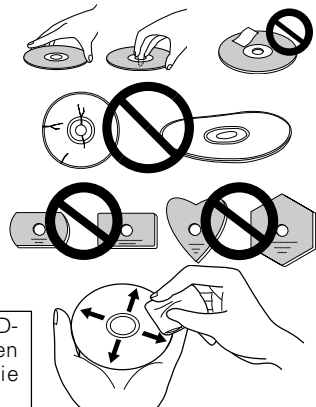
**EINDRINGEN VON FLÜSSIGKEITEN UND FREMDKÖRPERN** - Niemals Fremdkörper in das Geräteinnere eindringen lassen. Das Berühren von unter Spannung stehenden Kontakten kann zu einem Kurzschluß führen, was einen Brand oder Stromschlag auslösen kann. Vorsicht, damit keine Flüssigkeiten auf dem Gerät verschüttet werden.

**KONDENSATION** - Wenn das Gerät von einem kalten in einen warmen Raum gebracht wird, verursacht der Feuchtigkeitsniederschlag in Gerät eine merkliche Leistungsminderung. Betreiben Sie das Gerät deshalb nicht für ca. 1 bis 2 Stunden, bis sich die Bauteile der Umgebungstemperatur angeglichen haben.

**WARTUNG** - Nicht den Versuch unternehmen, das Gerät selbst zu reparieren! Das Öffnen oder Entfernen von Abdeckungen kann einen Stromschlag sowie andere Gefahren auslösen. Überlassen Sie sämtliche Wartungsarbeiten unserem qualifizierten Kundendienstpersonal. (Beziehen Sie sich bitte auf das miteingeschlossene Kundendienstverzeichnis.)

- Zu vermeiden ist das Berühren oder Zerkratzen der Signalfäche (glänzende Seite) der Platte.
- Die Platte entweder an den Rändern oder im Loch in der Mitte und am Rand fassen.
- Auf der Platte dürfen weder Papier noch Etiketten angebracht werden.
- Keine gewölbten oder rissigen Platten verwenden (da diese das Laufwerk beschädigen könnten).
- Keine Platten mit Spezialformen, wie z.B. Herzen oder Vielecke, verwenden.
- Staub oder Flusen mit einem weichen Lappen von der Platte entfernen, indem man diese von innen nach außen (statt in kreisförmigen Bewegungen) abwischt.
- Keine Schallplattenreinigungs- oder antistatischen Mittel verwenden, da diese die Platte beschädigen könnten.

Bewahren Sie nicht benutzte Discs stets in geeigneten DVD-R-Behältern auf, und prüfen Sie die Discs vor dem Einlegen auf Verschmutzungen oder Staub (insbesondere die Aufzeichnungsseite).



# LEISTUNGSMERKMALE

---

- Schreibgeschwindigkeit
  - CLV 1X und 2X bei DVD-R
  - CLV 1X, 2X und 4X bei Hochgeschwindigkeits-DVD-R
  - CLV 1X bei DVD-RW
  - CLV 1X und 2X bei Hochgeschwindigkeits-DVD-RW
  - CLV 4X, 8X, 12X und 16X bei CD-R
  - CLV 4X bei CD-RW
  - CLV 4X und 8X bei Hochgeschwindigkeits-CD-RW
- Maximale Lesegeschwindigkeit
  - CAV 12X bei DVD-ROM (Einzel)
  - CAV 8X bei DVD-ROM (Dual)
  - CAV 6X bei DVD-R, DVD-RW
  - CAV 32X bei CD-ROM, CD-R, CD-RW
- Puffer-Speicherkapazität:
  - 2 MByte (Schreiben/Lesen)
- IDE-Datenübertragungsmodus:
  - PIO Modus 4/Multi Word DMA Modus 2/Ultra DMA-Modus 2
- Unterstützt Video-CDs
- 5,25-Zoll-Einbautyp halber Höhe
- Stereo-Audioausgang
- Kopfhörer-Ausgang & Kopfhörer-Lautstärkeregler
- Servomechanismus für LCD-Neigung
- Wahl zwischen horizontaler und vertikaler Ausrichtung
- Schwingungsarme Mechanik dank DRA-System
- Unterstützt CD-Textformat

## Disc-Format (Lesen/Schreiben)

- DVD-Einzelschicht/Dualschicht/120-mm-Disc/80-mm-Disc
- DVD-R (Schreiben nur auf 650-nm-Disc für allgemeine Anwendungen)
- Hochgeschwindigkeits-DVD-R (4X-Geschwindigkeits-DVD-R Revision 1.0)
- DVD-RW
- Hochgeschwindigkeits-DVD-RW (2X-Geschwindigkeits-DVD-RW Revision 1.0)
- CD-ROM Modus 1
- CD-ROM XA Modus 2 (form 1, form2)
- Photo CD (Einzel- und Mehrfach-Session)
- CD-DA
- CD-Extra (CD PLUS)
- CD-R
- CD-RW, Hochgeschwindigkeits-CD-RW

## Hinweis:

*Zum Schreiben ist ein spezielles Anwendungsprogramm erforderlich, das das obige Format unterstützt.*

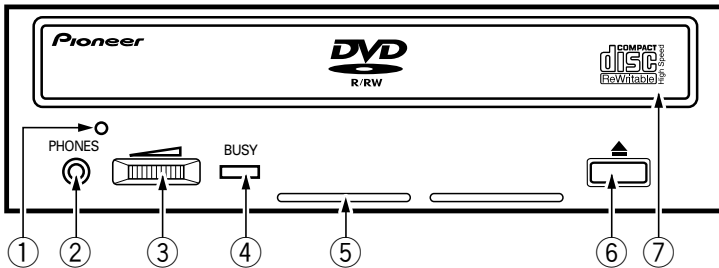
## ÜBER REGIONALCODES

Der Regionalcode kann **NUR 5mal** geändert werden, einschließlich der ersten Einstellung. Beachten Sie, dass die 5. Änderung PERMANENT ist, und lassen Sie bitte daher bei der Änderung von Regionalcodes Vorsicht walten.

- Regionalcodes sind Teil des DVD-Standards. Auf DVD-Platten sind Regionalcodes jedoch nur bedingt vorhanden. DVD-Platten ohne Angabe eines Regionalcodes lassen sich auf allen Geräten abspielen.

# SCHNITTSTELLE

## VORDERANSICHT



### ① Loch für erzwungenen Auswurf

Wenn die Schublade nach dem Drücken der Eject-Taste nicht ausfährt, führen Sie eine unbiegsame Stange in das Loch ein und drücken sie, um die Disc auszuwerfen. Im normalen Betrieb wird eine Disc mittels Eject-Taste ausgeworfen. Achten Sie vor dem Zugriff auf das Auswurfloch darauf, dass die Netzversorgung des Laufwerks ausgeschaltet ist, und warten Sie länger als eine Minute, bis sich die Disc nicht mehr dreht.

### ② Kopfhörer-Buchse (PHONES)

Stereo-Mini-Buchse für Kopfhörer.

Stellen Sie den Lautstärkereglер auf minimale Lautstärke, bevor Sie den Stecker des Kopfhörers einstecken.

Der Audioausgang auf der Rückseite ist auch dann aktiviert, wenn der Kopfhörerstecker eingesteckt ist.

### ③ Lautstärkereglер

Mit diesem Regler können Sie die Lautstärke im Kopfhörer einstellen.

Wenn der Knopf nach rechts gedreht wird, erhöht sich die Kopfhörer-Lautstärke, wenn er nach links gedreht wird, verringert sich die Lautstärke.

### ④ Besetzt-Anzeige (BUSY)

Diese Anzeige kennzeichnet den aktuellen Betriebsstatus wie folgt.

Während des Lesens: Leuchtet.

Während des Schreibens: Leuchtet.

### ⑤ Lüftungsöffnungen

Dieser Teil darf nicht verdeckt werden.

### ⑥ Eject-Taste (▲)

Drücken Sie diese Taste, um die Disc einzulegen bzw. herauszunehmen.

### ⑦ Disc-Schublade

Öffnen Sie die Schublade, indem Sie die Eject-Taste drücken. Legen Sie dann eine CD oder DVD in den Schlitz, wobei die Beschriftung oben liegt. Drücken Sie die Eject-Taste oder drücken Sie vorne an der Schublade, um die Schublade mit der Disc zu laden.

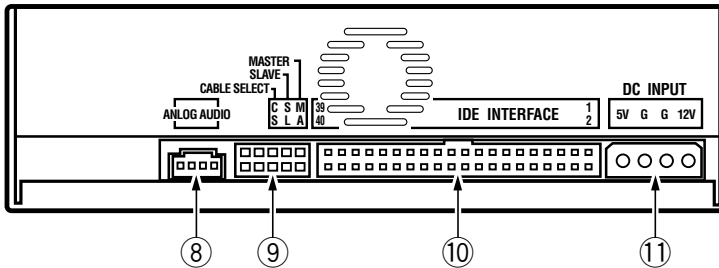
**Versuchen Sie auf keinen Fall, das Disc-Fach gewaltsam herauszuziehen.**

## Vorsichtmassnahmen beim abspielen von 8 cm CDs/DVDs

Bei Betrieb des Laufwerks in senkrechter Lage können 8-cm-Disc gelbst bei Verwendung eines Adapters nicht abgespielt werden.

# SCHNITTSTELLE

## RÜCKANSICHT



### ⑧ Audioausgang

An dieser Buchse liegt das analoge Audiosignal an. Diese Buchse ist zu 'Molex 70553' kompatibel. Wählen Sie ein passendes Verbindungskabel.

Stift	Bezeichnung	Funktion
1	L	Audioausgangssignal, linker Kanal.
2	G	Masse.
3	G	Masse.
4	R	Audioausgangssignal, rechter Kanal.

### ⑨ Gerätekonfigurationsbrücke

Der Schalter ist eingeschaltet, wenn Brücke gesetzt ist. Stellen Sie sicher, dass das Laufwerk ausgeschaltet ist, bevor Sie die Brückeneinstellung ändern. Pin Nr. 1 ist werkseitig auf „Ein“ gesetzt.

Stift	Bezeichnung	Funktion
1	MA	Ein   Das Laufwerk wird im Master-Modus verwendet.
2	SL	Ein   Das Laufwerk wird im Slave-Modus verwendet.
3	CS	Ein   Verwendung der Funktion „Cabel Select“.
4		Reserviert.
5		Reserviert.

### ⑩ Host IDE-Schnittstelle

Dies ist eine 40-Pin-I/O-Buchse gemäß den ATA-Spezifikationen.

### ⑪ Gleichspannungseingang

Stift	Bezeichnung	Funktion
1	+12	Spannungsversorgungseingang für +12 V Gleichspannung
2	G	Masse.
3	G	Masse.
4	+5	Spannungsversorgungseingang für +5 V Gleichspannung

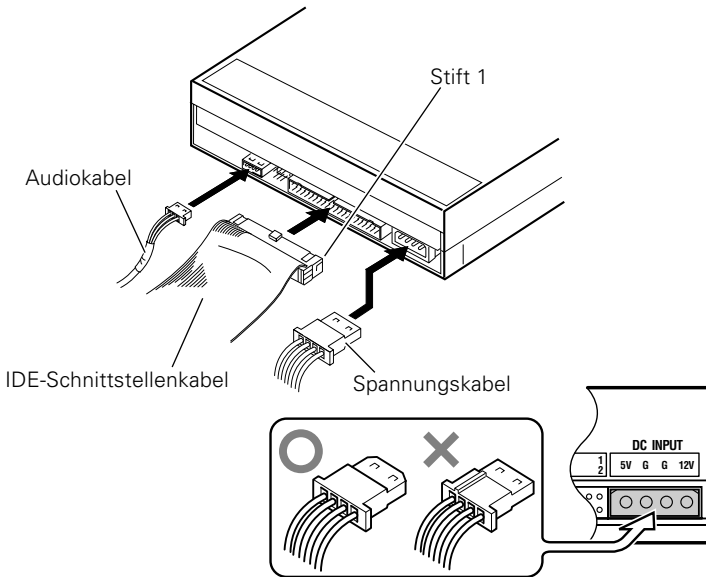


# EINBAU

---

- ① Schalten Sie die Spannungsversorgung des Personal-Computers aus, ziehen Sie den Netzstecker ab und nehmen Sie die Abdeckung oder die Frontplatte ab.
  - ② Entfernen Sie die Blende von einem leeren 5,25-Zoll-Laufwerkschacht.
  - ③ Befestigen Sie die Klemmschiebeschienen an das Laufwerk. (Wenn Schiebeschienen benötigt werden, wenden Sie sich an das Geschäft, wo Sie den Computer erworben haben, oder an den Hersteller des Computers.)
  - ④ Schieben Sie das Laufwerk in den Schacht ein.
  - ⑤ Wenn eine Befestigung erforderlich ist, befestigen Sie das Laufwerk gemäß den Anweisungen im Handbuch des Computers.
- Verwenden Sie Montageschrauben mit einer Länge von höchstens 5 mm. Durch längere Schrauben kann das Laufwerk beschädigt werden.
  - Bei lockeren Befestigungsschrauben erzeugen die Vibrationen durch die rotierende DVD/CD ein störendes Geräusch. Die Schrauben müssen daher gut festgezogen werden.

# ANSCHLÜSSE



- Schalten Sie die Spannungsversorgung des Personal-Computers aus.
- Schließen Sie das Spannungskabel vom Computer an. Achten Sie dabei auf die richtige Ausrichtung des Steckers.
- Schließen Sie das IDE-Schnittstellenkabel an. Vergewissern Sie sich, daß der Stift 1 des IDE-Anschlusses richtig mit dem Stift 1 des Steckers verbunden ist.
- Wenn eine Soundkarte vorhanden ist, verbinden Sie den Audio-Ausgang über ein Audiokabel mit der Soundkarte.

Die Stromversorgung für dieses Gerät muß unbedingt über den damit verbundenen Computer erfolgen. Es darf nur das im Personal-Computer eingebaute Netzteil verwendet werden.

# TECHNISCHE DATEN

## [Lage]

Dieses Laufwerk ist für den horizontalen und vertikalen Betrieb vorgesehen.

## [Disc-Größe]

- 12 cm / 8 cm\*

\* 8 cm-CDs/DVDs können nicht in aufrechter Position benutzt werden.

## [Datenübertragungsrate]

Daten lesen (Dauerübertragungsrate)

DVD	Max. 16,62 MBytes/sec.
CD	Max. 4,92 MBytes/sec. (13,7–32X CAV-Modus über 16-Block-Übertragung)

Daten schreiben (Dauerübertragungsrate)

DVD	Durchschn. 5,54 MBytes/sec. (4X DVD-R Schreiben)
CD	Durchschn. 2,46 MBytes/sec. (16X CD-R Schreiben)

Host-Schnittstellendaten

PIO Modus 4, Multi Word DMA Modus 2	16,6 MBytes/sec.
Ultra DMA Modus 2	33,3 MBytes/sec.

- Die Datenübertragungsrate kann vom Disc-Zustand (Kratzer usw.) beeinflusst werden.

## [Zugriffszeit/Suchzeit]

Zugriffszeit (Random-Durchschnitt)

DVD-ROM 140 ms	CD-ROM 130 ms
----------------	---------------

Suchzeit (Random-Durchschnitt)

DVD-ROM 120 ms	CD-ROM 100 ms
----------------	---------------

## [Audiodaten]

Line Out	0,7 ± 0,1 Vrms (Last 10 kOhm)
Kopfhörer Out	0,7 ± 0,2 Vrms (Last 32 Ohm)

## [Sonstiges]

Spannungsversorgung

Gleichstrom +12 V, 0,6 A
Gleichstrom +5 V, 1,1 A

Außenabmessungen (einschließlich Frontplatte)

148 (B) x 42,3 (H) x 198 (T) mm
---------------------------------

Gewicht

1,1 kg

Betriebstemperatur

+5 °C bis +45 °C

Betriebsluftfeuchtigkeit

5 % bis 85 % (keine Kondensation)

Lagertemperatur

– 40 °C bis +60 °C

Lagerluftfeuchtigkeit

5 % bis 90 % (keine Kondensation)

## [Zubehör]

- 1 Kurzschlußstecker
- 1 Audiokabel
- 4 Montageschraube
- 1 Bedienungsanleitung

## HINWEIS:

Technische Änderungen zum Zweck der Produktverbesserung ohne vorherige Bekanntmachung vorbehalten.

Grazie per aver acquistato questo prodotto Pioneer.  
Leggere attentamente questo manuale di istruzioni per familiarizzarsi con l'uso dell'apparecchio.  
Conservare poi il manuale per ogni eventuale futuro riferimento.

K015 It

**AVVERTENZA:** QUESTO APPARECCHIO NON E' IMPERMEABILE. NON SISTEMARE VICINO AD ESSO NESSUN OGGETTO CONTENENTE ACQUA, COME VASI, CONTENITORI DI PRODOTTI DI BELLEZZA O FLACONI DI MEDICINALI. H001AIt

La generazione di rumore acustico è inferiore a 70 dB (norme ISO 7779 e DIN 45635).

## IMPORTANTE



Il simbolo del lampo con terminale a forma di freccia situato all'interno di un triangolo equilatero serve ad avvisare l'utilizzatore della presenza di un "voltaggio pericoloso" non isolato nella struttura del prodotto che potrebbe essere di un'intensità tale da provocare scosse elettriche all'utilizzatore.



### ATTENZIONE:

PER EVITARE IL RISCHIO DI SCOSSE ELETTRICHE, NON RIMUOVERE IL COPERCHIO (O IL RETRO). NON CI SONO PARTI INTERNE ACCESSIBILI ALL'UTILIZZATORE. IN CASO DI NECESSITÀ, RIVOLGERSI ESCLUSIVAMENTE A PERSONALE DI SERVIZIO QUALIFICATO.



Il punto esclamativo in un triangolo equilatero serve ad avvisare l'utilizzatore della presenza di importanti istruzioni di funzionamento e manutenzione riportate nel libretto allegato al prodotto. H002AIt

## PRECAUZIONE

Questo prodotto contiene un diodo al laser di classe superiore alla classe 1. Per motivi di sicurezza, non smontare i coperchi e non procedere ad interventi sulle parti interne. Per qualsiasi riparazione rivolgersi a personale qualificato.

Sull'apparecchio è presente la seguente etichetta di avvertimento.

Ubicazione dell'etichetta: sul lato superiore dell'apparecchio.

**CLASS 1 LASER PRODUCT  
LASER KLASSE 1**

H016A\_It

Per i dispositivi con collegamento di alimentazione a spina, la presa deve trovarsi nelle vicinanze del dispositivo e deve essere facilmente accessibile.

# ISTRUZIONI DI SICUREZZA

Per garantire la sicurezza personale ed ottimizzare l'intero potenziale operativo di questo registratore, attenersi alle seguenti precauzioni di sicurezza.

**AMBIENTE** - Non utilizzare l'apparecchio in luoghi molto polverosi, o esposti ad alte temperature, o particolarmente umidi. L'apparecchio, inoltre, deve essere posizionato in luoghi non soggetti a vibrazioni o scosse.

**ACCENSIONE** - Prima di procedere all'installazione spegnere il sistema e tutti i dispositivi collegati.

**LETTURA DELLE ISTRUZIONI** - Prima di passare all'uso dell'apparecchio leggere attentamente tutte le istruzioni di sicurezza e di funzionamento.

**CONSERVAZIONE DEL MANUALE** - Conservare il manuale di istruzioni per ogni eventuale futura consultazione.

**ATTENERSI ALLE ISTRUZIONI** - Attenersi strettamente alle istruzioni date per l'uso e il funzionamento dell'apparecchio.

**ATTENZIONE ALLE AVVERTENZE** - Tutte le avvertenze devono essere strettamente osservate.

**PULIZIA - NON** utilizzare liquidi, pulitori a spruzzo, o alcool. Per la pulizia esterna dell'apparecchio utilizzare solamente un panno leggermente inumidito in acqua.

**ACQUA E UMIDITÀ - NON** usare questo apparecchio nelle vicinanze dell'acqua.

**SORGENTI DI ALIMENTAZIONE** - Per l'alimentazione di questo apparecchio utilizzare il tipo di sorgente indicata sull'etichetta di avvertimento. Nel caso in cui non si sia sicuri del tipo di energia elettrica disponibile, rivolgersi ad un rivenditore autorizzato Pioneer.

**SOVRACCARICO - NON** sovraccaricare le prese elettriche alle pareti ed i cavi di prolunga. Un eccesso di attacchi elettrici su una sola presa può provocare incendi o cortocircuiti.

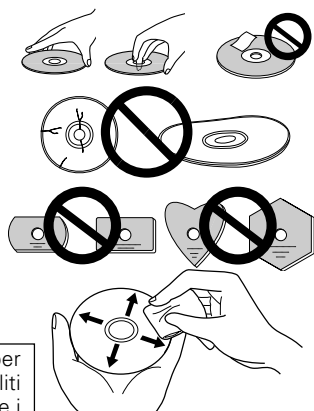
**PENETRAZIONE DI LIQUIDI ED OGGETTI ESTRANEI** - Non inserire alcun oggetto di alcun tipo all'interno di questo apparecchio. Il contatto con punti ad alta tensione può causare cortocircuiti, con conseguenti possibili incendi o folgorazioni. Fare attenzione a non rovesciare alcun tipo di liquido sull'apparecchio.

**CONDENSA** - Trasportando l'apparecchio da un ambiente freddo ad uno caldo, all'interno della sezione operativa dell'apparecchio può formarsi della condensa, che può essere causa di disfunzioni nelle prestazioni. Dopo aver portato l'apparecchio in un luogo a temperatura superiore a quella del precedente, attendere per circa 1 o 2 ore prima di passare all'uso dell'apparecchio stesso.

**MANUTENZIONE** - Non tentare per nessun motivo di riparare l'apparecchio da se stessi. L'apertura o la rimozione dei coperchi dell'apparecchio può risultare in esposizione a tensioni pericolose, o altri pericoli. Qualsiasi tipo di manutenzione deve essere affidato a personale di servizio qualificato. (Vedere in proposito l'allegata Scheda di Manutenzione e Servizio.)

- Evitare di toccare o rigare la superficie del disco contenente i segnali (quella rilucente).
- Tenere il disco per i bordi, o per il foro centrale e il bordo.
- Non applicare fogli di carta o etichette al disco.
- I dischi deformati o rigati possono causare danni all'apparecchio e si consiglia quindi di eliminarli.
- Evitare l'uso di dischi di forme particolari (a cuore, ottagonali, ecc.).
- Per eliminare polvere e sporco strofinare il disco con un panno morbido in direzione dall'interno verso l'esterno del disco, evitando movimenti circolari.
- Non utilizzare agenti appositi per la pulizia di dischi, o altri agenti antistatici, che possono causare danni al disco stesso.

I dischi devono essere conservati negli appositi astucci per dischi DVD-R, e devono essere sempre accuratamente ripuliti da entrambi i lati, ma particolarmente da quello contenente i segnali sonori, prima dell'uso.



# CARATTERISTICHE

---

- Velocità di registrazione
  - Velocità lineare costante normale (1x) e doppia (2x) per dischi DVD-R
  - Velocità lineare costante normale (1x), doppia (2x) e quadrupla (4x) per dischi DVD-R ad alta velocità
  - Velocità lineare costante normale (1x) per dischi DVD-RW
  - Velocità lineare costante normale (1x) e doppia (2x) per dischi DVD-RW ad alta velocità
  - Velocità lineare costante quadrupla (4x), ottupla (8x), di 12 volte (12x) e di 24 volte (24x) per dischi CD-R
  - Velocità lineare costante quadrupla (4x) per dischi CD-RW
  - Velocità lineare costante quadrupla (4x) e ottupla (8x) per dischi CD-RW ad alta velocità
- Massima velocità di lettura
  - Velocità angolare costante di 12 volte (12x) per dischi DVD-ROM (singolo)
  - Velocità angolare costante ottupla (8x) per dischi DVD-ROM (doppio)
  - Velocità angolare costante di 6 volte (6x) per dischi DVD-R, DVD-RW
  - Velocità angolare costante di 32 volte (32x) per dischi CD-ROM, CD-R, CD-RW
- Dimensioni della memoria tampone
  - 2 Mbyte (per registrazione/lettura)
- Modalità di trasferimento dei dati IDE:
  - Modalità PIO 4, Multi Word DMA 2 e Ultra DMA 2
- Può leggere CD Video
- Tipo da 5,25 pollici, integrato, a mezza altezza
- Uscita audio stereo
- Uscita per cuffia e comando del volume della cuffia
- Servo meccanismo per l'inclinazione dello schermo a cristalli liquidi
- Orientabile sia in senso orizzontale sia in senso verticale
- Meccanismo a bassa vibrazione, grazie al sistema DRA
- Utilizzabile per CD in formato testo

## Formato dei dischi utilizzabili (per lettura e registrazione)

Disco DVD a strato singolo, a doppio strato, da 120 mm e da 80 mm

- DVD-R (per la registrazione: per il modello generale solo dischi da 650 nm)
- DVD-R ad alta velocità (DVD-R a quadrupla velocità, Revisione 1.0)
- DVD-RW
- DVD-RW ad alta velocità (DVD-RW a doppia velocità, Revisione 1.0)
- CD-ROM, modalità 1
- CD-ROM XA modalità 2 (forma 1, forma 2)
- Photo CD (a sessione singola o multipla)
- CD-DA
- CD-Extra (CD PLUS)
- CD-R
- CD-RW e CD-RW ad alta velocità

### Nota:

*Per la registrazione è necessario uno specifico programma di applicazione che consenta l'uso dei formati sopracitati.*

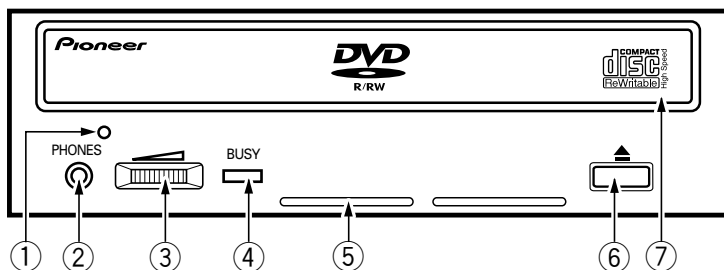
## CODICI REGIONALI

Il codice regionale può essere modificato **SOLO 5** volte, compresa la predisposizione iniziale. Tenere presente che la 5a modifica diviene PERMANENTE e imm modificabile, e regolarsi di conseguenza.

- I codici regionali fanno parte dello standard dei dischi DVD. Tuttavia l'inserimento del codice regionale sui dischi DVD è facoltativo. I dischi DVD senza specifica di codice regionale possono essere utilizzati su tutti i lettori e registratori.

# INTERFACCIA

## LATO ANTERIORE



### ① Foro per l'espulsione forzata

Se il vano portadischi non si apre alla normale pressione del tasto di espulsione, inserire in questo foro uno stilo appuntito e spingere sino ad espulsione avvenuta.

Nel corso del funzionamento normale, per l'apertura del piatto portadischi si deve far uso del tasto di espulsione. Prima di agire sul foro di espulsione controllare che l'apparecchio sia stato spento (alimentazione disattivata) e che il disco abbia completamente smesso di ruotare.

### ② Presa per la cuffia (PHONES)

Minipresa stereo per la cuffia.

Prima di inserire la spina della cuffia portare la "Manopola di comando del volume" sul minimo. L'uscita audio del pannello posteriore rimane attivata anche in caso di inserimento di una spina nella presa per la cuffia.

### ③ Manopola di comando del volume

Questa manopola di comando consente di regolare il volume sonoro della cuffia.

Ruotando la manopola verso destra il volume aumenta, mentre ruotandola verso sinistra diminuisce.

### ④ Indicazione di operazioni in corso (BUSY)

Le condizioni operative vengono visualizzate nel seguente modo:

Nel corso della lettura:	Spia illuminata
Nel corso dell'iscrizione:	Spia illuminata

### ⑤ Fori di ventilazione

Non bloccare i fori di ventilazione.

### ⑥ Tasto di espulsione (▲)

Agire su questo tasto per procedere all'inserimento o all'estrazione del disco.

### ⑦ Piatto portadischi

Aprire la fessura del vano portadischi agendo sul tasto di espulsione ed inserire nella fessura il disco CD o DVD con il lato etichettato rivolto verso l'alto. Per far entrare il disco dentro l'apparecchio premere di nuovo il tasto di espulsione o spingere il lato anteriore del disco stesso.

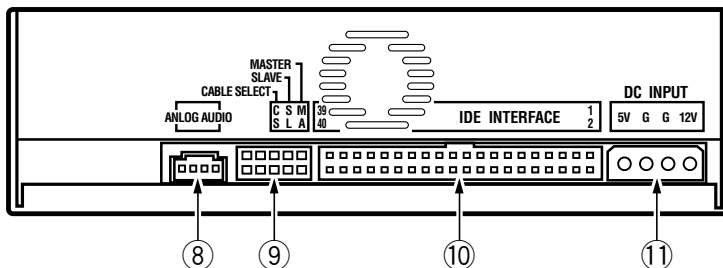
**Nom tentare di estrarre a forza il piatto portadischi.**

## Precauzioni per la riproduzione di dischi da 8 cm

*I dischi da 8 cm non possono venire riprodotti in un drive installato in posizione verticale, anche se si fa uso di un adattatore.*

# INTERFACCIA

## LATO POSTERIORE



### ⑧ Uscita audio

Connettore per uscita audio analogica.

Questo connettore è compatibile con lo standard "Molex 70553". Scegliere un cavo di collegamento adatto allo scopo.

Polo	Nome	Funzione
1	L	Uscita del canale audio sinistro.
2	G	Messa a terra
3	G	Messa a terra
4	R	Uscita del canale audio destro

### ⑨ Ponte di configurazione del dispositivo

L'interruttore passa alla posizione ON (attivato) inserendo la spina a ponte. Prima di modificare le predisposizioni del ponte di configurazione verificare che l'apparecchio sia stato spento.

Il polo 1 si trova in posizione attivata al momento dell'uscita dell'apparecchio dalla fabbrica.

Polo	Nome	Funzione	
1	MA	Attivato.	Il drive viene usato in modalità principale.
2	SL	Attivato.	Il drive viene usato in modalità asservita.
3	CS	Attivato.	Uso della funzione di selezione del cavo.
4		Riservato.	
5		Riservato.	

### ⑩ Interfaccia IDE principale

Si tratta di un connettore I/O a 40 poli, di specifiche ATA.

### ⑪ Ingresso di corrente continua

Polo	Nome	Funzione
1	+12	Ingresso dell'alimentazione a corrente continua a +12 V.
2	G	Messa a terra
3	G	Messa a terra
4	+5	Ingresso dell'alimentazione a corrente continua a +5 V.

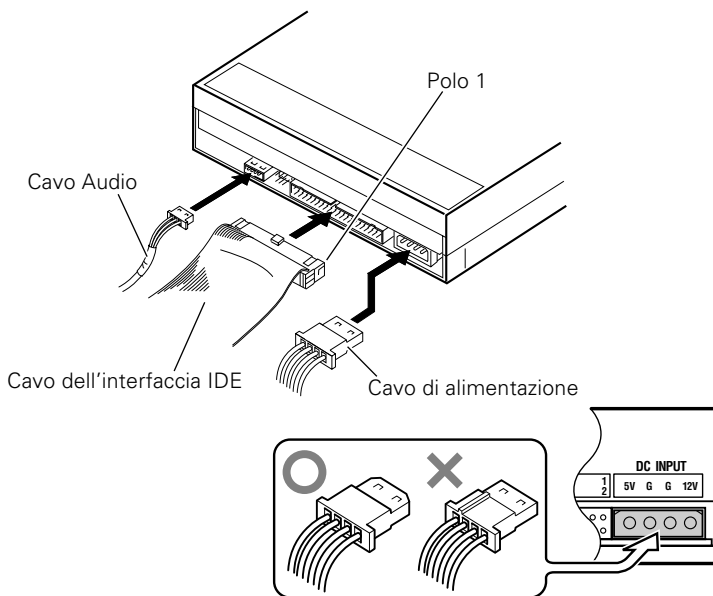


# INSTALLAZIONE

---

- ① Spegnere l'alimentazione del personal computer, scollegare il cavo di alimentazione dalla presa di corrente e togliere il coperchio del pannello anteriore dell'apparecchio.
  - ② Togliere il pannello senza indicazioni, che si trova installato sul lato anteriore della fessura da 5,25 pollici.
  - ③ Installare sul drive le guide fisse. In caso di necessità di guide scorrevoli, rivolgersi ad un rivenditore o al fabbricante del computer.
  - ④ Inserire il drive nella fessura.
  - ⑤ Se si rende necessario il bloccaggio, vedere il manuale di istruzioni del computer.
- 
- Per il montaggio usare viti di lunghezza non superiore a 5 mm. L'uso di viti più lunghe può danneggiare il drive.
  - Se le viti di montaggio sono lente le vibrazioni dovute alla rotazione del disco possono generare dei rumori di ferraglia, per prevenire il quale è necessario serrare molto bene le viti.

# COLLEGAMENTI



- Spegnere l'alimentazione del personal computer.
- Collegare il cavo di alimentazione proveniente dal personal computer. Effettuare il collegamento facendo attenzione alla posizione delle polarità.
- Collegare il cavo di interfaccia IDE. Verificare che il polo 1 del connettore IDE del drive sia collegato correttamente al polo 1 del cavo.
- Se si fa uso di una scheda sonora, collegare l'uscita audio alla scheda audio per mezzo di un cavo audio.

L'energia di alimentazione per questo dispositivo deve provenire dal personal computer al quale il dispositivo si trova collegato. Non utilizzare alcun'altra sorgente di alimentazione diversa da quella interna del personal computer.

# DATI TECNICI

## [Posizionamento]

Il drive può essere usato in posizione sia orizzontale sia verticale.

## [Dimensioni dei dischi]

- dischi da 12 cm e da 8 cm\*

\* I dischi da 8 cm non possono essere usati con il drive in posizione verticale.

## [Tasso di trasferimento dei dati]

Lettura dei dati (sostenuta)

DVD	Max. 16,62 Mbyte/sec.
CD	Max. 4,92 Mbyte/sec. (trasferimento su 16 blocchi, in modalità a velocità angolare costante da 13,7 a 32 volte)

Registrazione dei dati (sostenuta)

DVD	Media 5,54 Mbyte/sec. (velocità 4x per DVD-R)
CD	Media 2,46 Mbyte/sec. (velocità 16x per CD-R)

Specifiche dell'interfaccia dell'elaboratore centrale

Modalità PIO 4 e Modalità Multi Word DMA 2:	16,6 Mbyte/sec.
Modalità Ultra DMA 2:	33,3 Mbyte/sec.

- Il tasso di trasferimento dei dati in uscita può subire variazioni in relazione alle condizioni del disco (rigature, ecc.).

## [Tempo di accesso e tempo di ricerca]

Tempo di accesso (Accesso casuale, media)

DVD-ROM 140 ms	CD-ROM 130 ms
----------------	---------------

Tempo di ricerca (Ricerca casuale, media)

DVD-ROM 120 ms	CD-ROM 100 ms
----------------	---------------

## [Caratteristiche audio]

Uscita di linea 0,7 ± 0,1 Vrms (con carico di 10 kΩ)

Uscita della cuffia 0,7 ± 0,2 Vrms (con carico di 32 Ω)

## [Altro]

Alimentazione Corrente continua a +12 V, 0,6 A  
Corrente continua a +5 V, 1,1 A

Dimensioni (compreso il pannello anteriore)

148 (largh.) x 42,3 (alt.) x 198 (prof.) mm

Peso 1,1 kg

Gamma delle temperature utili per l'uso

da +5°C a +45°C

Gamma dell'umidità utile per l'uso

dal 5% all'85% (senza condensa)

Gamma delle temperature utili per la messa a riposo

da -40°C a +60°C

Gamma dell'umidità utile per la messa a riposo

dal 5% al 90% (senza condensa)

## [Accessori]

- Una presa a ponte per cortocircuitazione
- Un cavo audio
- Quattro viti per montaggio
- Un Istruzioni per l'uso

## NOTA:

- I dati tecnici e l'aspetto esterno possono subire variazioni senza preavviso a seguito di miglioramenti apportati al prodotto.

Publicato da Pioneer Corporation.  
Copyright © 2002 Pioneer Corporation.  
Tutti i diritti riservati.

Enhorabuena por la adquisición de este producto Pioneer.  
Lea completamente este manual de instrucciones para aprender a operar correctamente el aparato.  
Después de haber terminado la lectura de las instrucciones, guarde el manual en un lugar seguro  
para poderlo consultar en el futuro.

K015 Sp

**ADVERTENCIA:** EL APARATO NO ES IMPERMEABLE.  
NO PONER ALGUNA FUENTE DE AGUA CERCA DEL APARATO,  
COMO VASO DE FLORES, RECIPIENTES COSMÉTICOS Y  
MEDICINALES, ETC.

H001ASp

*La generación de ruido acústico es de menos de 70 dB.  
(ISO 7779/DIN 45635)*

## IMPORTANTE



El triángulo equilátero con el símbolo de un relámpago en su interior tiene por objeto alertar al usuario de la presencia de "voltaje peligroso" sin aislar en el interior del producto, el cual podría alcanzar la suficiente magnitud como para constituir un riesgo de descarga eléctrica para las personas.



**PRECAUCIÓN:**  
PARA EVITAR EL RIESGO DE DESCARGA ELÉCTRICA,  
NO RETIRAR LA TAPA (NI LA CUBIERTA POSTERIORI).  
EL INTERIOR NO CONTIENE PIEZAS UTILIZABLES POR  
EL USUARIO. TODA REPARACIÓN DEBERÁ SER  
EFECTUADA POR PERSONAL TÉCNICO CUALIFICADO.



El triángulo equilátero con un signo de admiración en su interior tiene por objeto alertar al usuario de la existencia de importantes instrucciones de funcionamiento y mantenimiento (asistencia) en el manual que acompaña al aparato.

H002BSp

## PRECAUCIÓN

Este aparato contiene un diodo láser de clase superior a 1. Para mantener la seguridad apropiada, no saque ninguna cubierta ni intente acceder al interior del aparato.  
Lleve siempre el aparato a un centro con personal de servicio técnico cualificado.

La siguiente etiqueta de precaución se encuentra en su aparato.  
Situación: En la parte superior de la cubierta.



H018A\_Sp

Para equipos enchufables, la toma de corriente deberá instalarse cerca del equipo y deberá ofrecer un fácil acceso.

# INSTRUCCIONES DE SEGURIDAD

Para garantizar su seguridad personal y aprovechar todo el potencial de su unidad, lea y respete estas precauciones de seguridad:

**AMBIENTE** - No emplee la unidad en lugares con mucho polvo, altas temperaturas, o alta humedad. Emplee la unidad en un lugar en el que no quede sometida a vibraciones ni golpes.

**ALIMENTACIÓN** - Desconecte la alimentación del sistema y la de los dispositivos conectados antes de realizar la instalación.

**LEA LAS INSTRUCCIONES** - Lea todas las instrucciones de seguridad y de operación antes de poner la unidad en funcionamiento.

**GUARDE LAS INSTRUCCIONES** - Guarde las instrucciones de seguridad y de operación para poderlas consultar en el futuro.

**SIGA LAS INSTRUCCIONES** - Siga todas las instrucciones de operación y de utilización.

**RESPECTE LAS ADVERTENCIAS** - Deberán respetarse todas las advertencias.

**LIMPIEZA** - **NO** emplee limpiadores líquidos o de aerosol, ni alcohol. Emplee sólo un paño húmedo para limpiar el exterior.

**AGUA Y HUMEDAD** - **NO** emplee este producto cerca del agua.

**FUENTES DE ALIMENTACIÓN** - Haga funcionar este producto con el tipo de alimentación indicada en la etiqueta de características. Si no está seguro del tipo de alimentación disponible, consulte a un distribuidor Pioneer autorizado.

**SOBRECARGA** - **NO** sobrecargue las tomas de corriente ni los cables de extensión. De lo contrario podría producirse un incendio o descargas eléctricas.

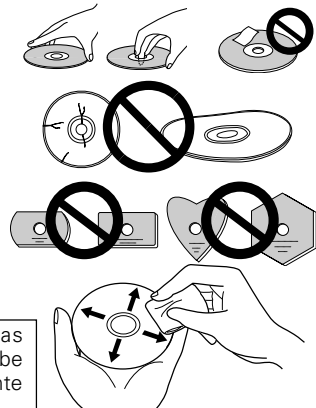
**ENTRADA DE OBJETOS Y LÍQUIDOS** - No introduzca nunca ningún tipo de objeto en este aparato. Si se tocan puntos con tensión peligrosos puede producirse un incendio o descargas eléctricas. No derrame ningún tipo de líquido sobre el aparato.

**CONDENSACIÓN** - Si se lleva el aparato desde un lugar fresco a otro caliente, puede formarse humedad en la sección de funcionamiento del producto, degradando su rendimiento. Si desplaza el aparato a un lugar con temperaturas más altas, déjelo de 1 a 2 horas en el nuevo lugar antes de ponerlo en funcionamiento.

**SERVICIO** - No intente reparar usted mismo el aparato. La abertura o extracción de las cubiertas podrían exponerle a tensiones peligrosas u otros peligros. Solicite todo el servicio técnico a personal de servicio cualificado. (Consulte la tarjeta adjunta de servicio y de soporte.)

- No toque ni raye la superficie de señal (lado brillante) del disco.
- Tome el disco por los bordes o por el centro y un borde.
- No enganche papeles ni etiquetas en el disco.
- Tire los discos que estén deformados o agrietados porque pueden causar daños en la unidad.
- Evite la utilización de discos con formas irregulares, especialmente con formas de corazón o de polígonos.
- Extraiga el polvo y la suciedad del disco con un paño suave, frotando desde el interior al borde exterior en lugar de hacerlo en sentido circular.
- No emplee agentes de limpieza de discos ni antiestáticos porque estas soluciones pueden ocasionar daños en los discos.

Asegúrese de guardar siempre los discos en las cajas apropiadas de DVD-R cuando no los utilice, y compruebe siempre si hay polvo o suciedad en los discos (especialmente en el lado de grabación) antes de utilizarlos.



# CARACTERÍSTICAS

---

- Velocidad de escritura
  - CLV 1X y 2X con DVD-R
  - CLV 1X, 2X y 4X con DVD-R de alta velocidad
  - CLV 1X con DVD-RW
  - CLV 1X y 2X con DVD-RW de alta velocidad
  - CLV 4X, 8X, 12X y 16X con CD-R
  - CLV 4X con CD-RW
  - CLV 4X y 8X con CD-RW de alta velocidad
- Velocidad máxima de lectura
  - CAV 12X con DVD-ROM (un estrato)
  - CAV 8X con DVD-ROM (estrato doble)
  - CAV 6X con DVD-R, DVD-RW
  - CAV 32X con CD-ROM, CD-R, CD-RW
- Tamaño de la memoria intermedia:
  - 2 Mbytes (escritura/lectura)
- Modo de transferencia de datos IDE:
  - PIO modo 4/DMA multipalabras modo 2/Ultra DMA Modo 2
- Soporta Vídeo CD
- Tipo incorporado de altura media de 5,25 pulgadas
- Salida de audio estéreo
- Servomecanismo de inclinación de la pantalla LCD
- Orientación horizontal/vertical ajustable
- Mecanismo de bajas vibraciones mediante el sistema DRA
- Soporta el formato de CD con texto

## Formato de discos (lectura/escritura)

- DVD de un estrato/estrato doble/disco de 120 mm/disco de 80 mm
- DVD-R (en caso de escritura, sólo disco de 650 nm para General.)
- DVD-R de alta velocidad (4X-SPEED DVD-R Revisión 1.0)
- DVD-RW
- DVD-RW de alta velocidad (2X-SPEED DVD-RW Revisión 1.0)
- CD-ROM modo 1
- CD-ROM XA modo 2 (forma 1, forma 2)
- CD con fotos (sesión sencilla y múltiple)
- CD-DA
- CD-Extra (CD PLUS)
- CD-R
- CD-RW, CD-RW de alta velocidad

### **Nota:**

*Para la escritura, se requiere un programa de aplicación específico que soporta el formato de arriba.*

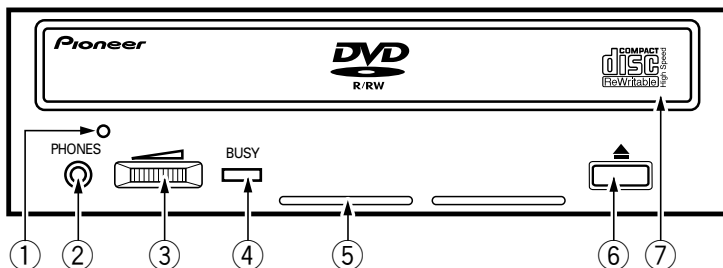
## **OBSERVACIÓN SOBRE LOS CÓDIGOS DE REGIÓN**

Los códigos de región **SÓLO** pueden cambiarse **5** veces, incluyendo el primer ajuste. Tenga presente que el quinto cambio será el que quedará **PERMANENTEMENTE**, por lo que deberá tener cuidado cuando cambie los códigos de región.

- Los códigos de región forman parte de la Norma DVD. Sin embargo, los códigos de región de los discos DVD son opcionales. Los discos DVD que no tienen especificado ningún código de región pueden reproducirse en todos los reproductores.

# INTERFAZ

## VISTA FRONTAL



### ① Orificio de expulsión forzada

Inserte una varilla rígida en el orificio y empújela para abrir la bandeja cuando no se abra la bandeja al presionar el botón de expulsión.

Durante la operación normal, debe utilizarse el botón de expulsión para abrir la bandeja. Antes de introducir la varilla en el orificio de expulsión, asegúrese de que la alimentación de la unidad esté desconectada y espere más de un minuto hasta que el disco haya dejado de girar.

### ② Toma de auriculares (PHONES)

Minitoma para los auriculares.

Ajuste el "Control de volumen" en la posición de volumen mínimo antes de insertar la clavija de los auriculares.

La salida de audio del panel posterior está activa aunque se haya insertado la clavija de los auriculares.

### ③ Control de volumen

Este es el control de volumen para ajustar el nivel del sonido de los auriculares.

Cuando se gira este control hacia la derecha, sube el nivel de volumen de los auriculares, y cuando se gira a la izquierda, se baja el volumen.

### ④ Indicador de ocupado (BUSY)

El estado de operación se indica de la forma siguiente.

Durante la lectura	Se enciende.
Durante la escritura	Se enciende.

### ⑤ Orificios de ventilación

No bloquee estas partes.

### ⑥ Botón de expulsión (▲)

Para extraer/insertar el disco, presione el botón.

### ⑦ Bandeja del disco

Abra la bandeja del disco presionando el botón de expulsión, y ponga un disco CD o DVD en la ranura con la etiqueta arriba. Presione el botón de expulsión o empuje la parte frontal de la bandeja para introducir la bandeja con el disco.

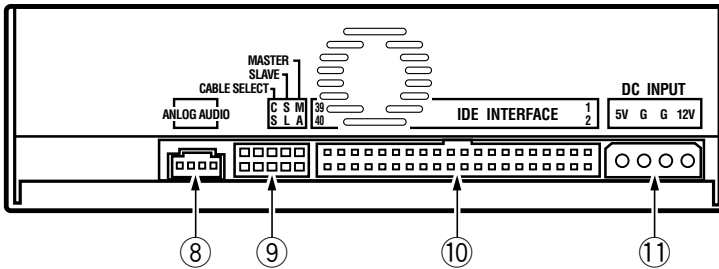
**No intente sacar a la fuerza la bandeja del disco.**

## Precauciones para la reproducción de discos de 8 cm

Los discos de 8 cm no pueden reproducirse cuando la unidad se ha instalado verticalmente, aunque se coloque un adaptador en el disco.

# INTERFAZ

## VISTA POSTERIOR



### ⑧ Salida de audio

Es un conector para salida de audio analógico.

Este conector es compatible con 'Molex 70553'. Seleccione un cable de conexión adecuado.

Contacto	Nombre	Función
1	L	Salida de audio del canal izquierdo.
2	G	Masa.
3	G	Masa.
4	R	Salida de audio del canal derecho.

### ⑨ Puentado de configuración del dispositivo

Cuando se puentean los contactos, el estado del interruptor es ON.

Antes de cambiar la posición del puentado, asegúrese de que la alimentación de la unidad esté desconectada.

El contacto N.º 1 está en ON cuando la unidad sale de fábrica.

Contacto	Nombre	Función	
1	MA	on	Se usa como unidad principal.
2	SL	on	Se usa como unidad secundaria.
3	CS	on	Se usa la función de selección de cable.
4		Réservé.	
5		Réservé.	

### ⑩ Interfaz IDE principal

Es un conector de entrada/salida de 40 contactos que conforma las especificaciones ATA.

### ⑪ Entrada de CC (DC)

Contacto	Nombre	Función
1	+12	Entrada de alimentación para +12 V CC.
2	G	Masa.
3	G	Masa.
4	+5	Entrada de alimentación para +5 V CC.

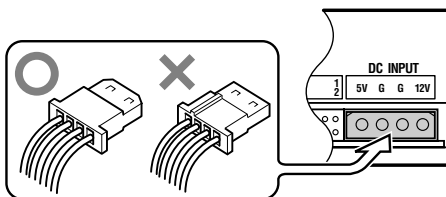
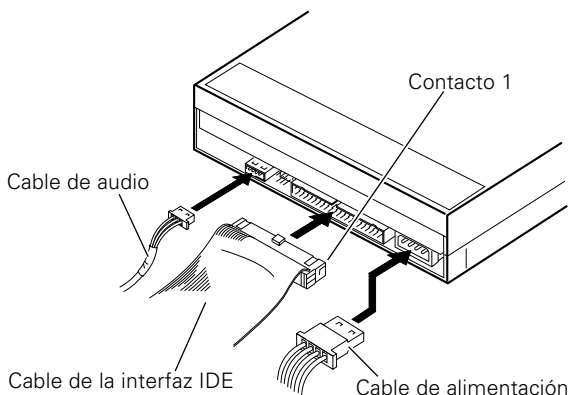


# INSTALACIÓN

---

- ① Desconecte la alimentación del ordenador personal, desenchufe el cable de la alimentación del la toma de CA y extraiga la cubierta o el panel frontal.
  - ② Extraiga el panel de protección instalado delante de la ranura de 5,25 pulgadas.
  - ③ Instale los rieles de deslizamiento de fijación en la unidad. (Cuando sean necesarios los rieles de deslizamiento, póngase en contacto con la tienda o el fabricante del ordenador.)
  - ④ Inserte la unidad en la ranura.
  - ⑤ Cuando se requiera la fijación, consulte el manual de instrucciones del ordenador.
- 
- Emplee unos tornillos con una longitud de 5 mm o menos para efectuar el montaje. El empleo de tornillos más largos podría causar daños en la unidad.
  - Cuando los tornillos de montaje están flojos, etc., las vibraciones de la rotación del disco pueden generar ruido de ondulación, y para evitarlo, los tornillos deberán estar apretados con seguridad.

# CONEXIONES



- Desconecte la alimentación del ordenador personal.
- Conecte el cable de alimentación desde el ordenador personal. Cuando efectúe la conexión, preste atención a la polaridad del cable.
- Conecte el cable de interfaz IDE. Entonces, confirme que el contacto 1 del conector IDE de la unidad esté correctamente conectado al contacto 1 del cable.
- Cuando se emplee una tarjeta de sonido, conecte la salida de audio a la tarjeta de sonido con un cable de audio.

Asegúrese de suministrar la alimentación eléctrica para este producto desde el ordenador personal que se haya conectado. No emplee ninguna otra fuente de alimentación que no sea la interna del ordenador personal.

# ESPECIFICACIONES

## [Ajuste]

Esta unidad es para su utilización horizontal y vertical.

## [Tamaño de los discos]

- 12 cm / 8 cm\*

\* Los discos de 8 cm no pueden utilizarse en la posición vertical.

## [Velocidad de transferencia de datos]

Lectura de datos (sostenida)

DVD	Máx. 16,62 Mbytes/seg.
CD	Máx. 4,92 Mbytes/seg. (13,7 - Modo CAV 32X con transferencia de 16 bloques)

Escritura de datos (sostenida)

DVD	Promedio de 5,54 Mbytes/seg. (DVD-R 4X)
CD	Promedio de 2,46 Mbytes/seg. (CD-R 16X)

Especificación de la interfaz principal

PIO modo 4/DMA multipalabras modo 2	16,6 Mbytes/seg.
Ultra DMA modo 2	33,3 Mbytes/seg.

- Es posible que no salga la transferencia de datos debido al estado del disco (rayadas, etc.).

## [Tiempo de acceso/búsqueda]

Tiempo de acceso (promedio aleatorio)

DVD-ROM 140 ms	CD-ROM 130 ms
----------------	---------------

Tiempo de búsqueda (promedio aleatorio)

DVD-ROM 120 ms	CD-ROM 100 ms
----------------	---------------

## [Características de audio]

Salida de línea 0,7 ±0,1 V rms (a carga de 10 kΩ)

Salida de auriculares 0,7 ±0,2 V rms (a carga de 32 Ω)

## [Otros]

Alimentación	+12 V CC, 0,6 A +5 V CC, 1,1 A
Dimensiones (incluyendo el panel frontal)	148 (An) x 42,3 (Al) x 198 (Prf) mm

Peso	1,1 kg
Temperatura de funcionamiento	+5°C a +45°C
Humedad de funcionamiento	5% al 85% (sin condensación)
Temperatura de almacenaje	-40°C a +60°C
Humedad de almacenaje	5% al 90% (sin condensación)

## [Accesorios]

- Puente cortocircuitador x 1
- Cable de audio x 1
- Tornillo de montaje x 4
- Manual de instrucciones x 1

## NOTA:

- Especificaciones y diseño sujetos a posibles modificaciones sin previo aviso por razones de mejora del producto.

Hartelijk dank voor de aanschaf van dit Pioneer product.

Lees de gebruiksaanwijzing aandachtig door zodat u het apparaat op de juiste wijze kunt bedienen. Bewaar de gebruiksaanwijzing voor het geval u deze in de toekomst nogmaals nodig heeft.

K015 Du

**WAARSCHUWING: HET TOESTEL IS NIET WATERDICHT; HET TOESTEL NIET BLOOTSTELLEN AAN REGEN OF VOCHT OM BRAND OF EEN ELEKTRISCHE SHOCK TE VERMIJDEN. PLAATS OOK GEEN WATERHOUDENDE VOORWERPEN, ZOALS VAZEN, BLOEMPOTTEN, COSMETISCHE CONTAINERS EN FLESSEN MET GENEESMIDDELEN, ENZ. IN DE NABIJHEID VAN DIT TOESTEL.**

H001ADu

*De opwekking van akoestische ruis is minder dan 70 dB.  
(ISO7779/DIN45635)*

## BELANGRIJK



De lichtflash met pijpuntsymbool in een gelijkzijdige driehoek is bedoeld om de aandacht van de gebruikers te trekken op een niet geïsoleerde "gevaarlijke spanning" in het toestel, welke voldoende kan zijn om bij aanraking een elektrische shock te veroorzaken.



**WAARSCHUWING:**

OM HET GEVAAR VOOR EEN ELEKTRISCHE SHOCK TE VOORKOMEN, DEKSEL (OF RUG) NIET VERWIJDEREN. AAN DE BINNENZIJDE BEVINDEN ZICH GEEN ELEMENTEN DIE DOOR DE GEBRUIKER KUNNEN BEDIEND WORDEN. ENKEL DOOR GEKWALIFICEERD PERSONEEL TE BEDIENEN.



Het uitroepteken in een gelijkzijdige driehoek is bedoeld om de aandacht van de gebruiker te trekken op de aanwezigheid van belangrijke bedienings- en onderhoudsinstructies in de handleiding bij dit toestel.

H002ADu

## LET OP

Dit product bevat een laser-diode van een hogere orde als 1. Om veiligheidsredenen mogen geen panelen worden verwijderd of de ombouw van het apparaat op andere wijze worden geopend. Laat alle reparaties over aan bevoegd vakpersoneel.

Op het apparaat is het volgende waarschuwingslabel aangebracht. Plaats: Op de bovenkant van de behuizing.



H018A\_Du

Bij apparaten met stekkers moet de uitgangstekker gemakkelijk bereikbaar zijn en zo dicht mogelijk bij het andere apparaat zijn.

# VEILIGHEIDSMATREGELEN

Om uw persoonlijke veiligheid te waarborgen en een maximale prestatie van het apparaat te verkrijgen, moet u de volgende veiligheidsmaatregelen in acht nemen:

**BEDRIJFSOMSTANDIGHEDEN** - Gebruik het apparaat niet op plaatsen met veel stof of vocht, of bij erg hoge temperaturen. Let er tevens op dat het apparaat niet staat blootgesteld aan trillingen en schokken.

**STROOM** - Schakel de computer en alle randapparatuur uit voordat u begint met de installatie van het apparaat.

**LEES DE HANDLEIDING** - Lees alle veiligheids- en bedieningsinstructies voordat u het apparaat in gebruik neemt.

**BEWAAR DE HANDLEIDING** - Bewaar de handleiding voor eventueel toekomstig gebruik.

**VOLG ALLE INSTRUCTIES OP** - Volg alle gebruiks- en bedieningsinstructies zorgvuldig op.

**NEEM ALLE WAARSCHUWINGEN IN ACHT** - Alle waarschuwingen moeten zorgvuldig in acht worden genomen.

**SCHOONMAKEN** - Geen GEEN vloeibare reinigingsmiddelen, middelen met aërosol, of alcohol. Gebruik voor het schoonmaken van de behuizing uitsluitend een licht bevochtigde doek.

**WATER EN VOCHT** - Gebruik dit apparaat NIET in de buurt van water.

**STROOMVOORZIENING** - Gebruik het apparaat uitsluitend op de stroomvoorziening die op het label is aangegeven. Neem contact op met een officiële Pioneer dealer als u niet zeker weet welke stroomvoorziening u hebt.

**OVERBELASTING** - Zorg dat stopcontacten en verlengsnoeren niet overbelast worden. Dit kan resulteren in brand of een elektrische schok.

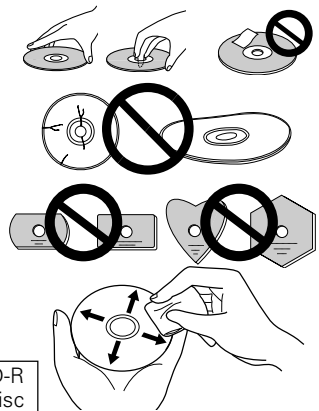
**BINNENDRINGEN VAN VOORWERPEN EN VLOEISTOF** - Steek nooit een voorwerp in het apparaat. Bij aanraking van gevaarlijke spanningspunten kunt u een elektrische schok krijgen of kan brand ontstaan. Let er tevens op dat geen vloeistof in het apparaat terechtkomt.

**CONDENSATIE** - Als het apparaat vanuit een koude omgeving in een warme ruimte wordt gebracht, zal er condensvorming in het apparaat optreden met een aanzienlijke afname van de prestatie tot gevolg. Wanneer u het apparaat naar een warme ruimte verplaatst, moet u het apparaat ongeveer 1 tot 2 uur laten acclimatiseren voordat u het in gebruik neemt.

**ONDERHOUD** - Probeer het apparaat nooit zelf te repareren. Bij openen of verwijderen van deksels stelt u zich bloot aan hoge spanningen en andere gevaren. Laat alle onderhoud en reparaties over aan deskundig onderhoudspersoneel. (Zie de bijgevoegde klantenservicekaart.)

- Vermijd aanraken of bekrassen van het signaaloppervlak (glanzende kant) van de disc.
- Houd de disc bij de rand vast of met een vinger in het middengat en een bij de rand.
- Plak geen papier of etiketten op de disc.
- Gooi kromgetrokken of gebarsten discs weg, want deze kunnen het aandrijfmechanisme van het apparaat beschadigen.
- Gebruik geen discs met een afwijkende vorm, zoals hartvormige of veelhoekige discs.
- Gebruik een zacht doekje om stof en pluisjes van de disc te verwijderen. Veeg hierbij vanaf het midden van de disc naar de buitenrand toe.
- Gebruik geen reinigingsmiddelen voor grammofoonplaten of anti-statische middelen, want deze kunnen de disc beschadigen.

Plaats de discs na gebruik altijd in de bijbehorende DVD-R opbergdoosjes. Controleer of er geen vuil of stof op de disc is (vooral op de opnamekant) voordat u deze gebruikt.



# KENMERKEN

---

- Schrijfsnelheid
  - CLV 1X en 2X voor DVD-R
  - CLV 1X, 2X en 4X bij hoge-snelheid DVD-R
  - CLV 1X voor DVD-RW
  - CLV 1X en 2X bij hoge-snelheid DVD-RW
  - CLV 4X, 8X, 12X en 16X voor CD-R
  - CLV 4X voor CD-RW
  - CLV 4X en 8X bij hoge-snelheid CD-RW
- Maximale leessnelheid
  - CAV 12X voor DVD-ROM (enkellaags)
  - CAV 8X voor DVD-ROM (dubbellaags)
  - CAV 6X voor DVD-R, DVD-RW
  - CAV 32X voor CD-ROM, CD-R, CD-RW
- Buffergeheugen:
  - 2 MB (schrijven/lezen)
- IDE gegevensoverdracht:
  - PIO modus 4/Multi Word DMA modus 2/Ultra DMA modus 2
- Ondersteund video-CD
- 5,25-inch inbouwtype, halve hoogte
- Stereo audio-uitgang
- Hoofdtelefoonuitgang en hoofdtelefoon-volumeregelaar
- LCD kantelservomechanisme
- Horizontale/verticale opstelling mogelijk
- Laag vibratiemechanisme door DRA-systeem
- Ondersteund CD-tekstformaat

## Discformaat (lezen/schrijven)

- DVD enkellaags/dubbellaags/120 mm disc/80 mm disc
- DVR-R (voor schrijven alleen 650 nm disc voor algemene toepassingen)
- Hoge-snelheid DVD-R (4X-SPEED DVD-R revisie 1.0)
- DVD-RW
- Hoge-snelheid DVD-RW (2X-SPEED DVD-RW revisie 1.0)
- CD-ROM modus 1
- CD-ROM XA modus 2 (vorm 1, vorm 2)
- Foto-CD (enkele en meervoudige sessie)
- CD-DA
- CD-Extra (CD PLUS)
- CD-R
- CD-RW, hoge-snelheid CD-RW

### **Opmerking:**

*Voor schrijven is een speciaal toepassingsprogramma nodig dat het betreffende formaat ondersteunt.*

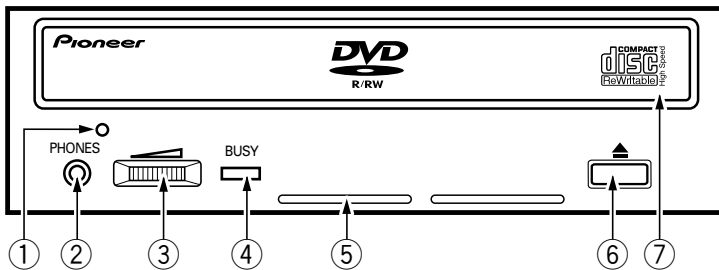
## BETREFFENDE REGIICODES

De regiocode kan **SLECHTS 5** maal worden gewijzigd, inclusief de 1ste instelling. De 5de instelling is PERMANENT en kan niet meer worden veranderd. Let daarom goed op wanneer u de regiocode wijzigt.

- Regiocodes zijn een onderdeel van de DVD-standaard. DVD-discs zijn echter niet altijd van een regiocode voorzien. DVD-discs zonder regiocodes kunnen op alle spelers worden afgespeeld.

# INTERFACE

## VOORAANZICHT



### ① Gat voor geforceerd uitwerpen

Druk met een dun staafje in dit gat om de lade naar buiten te laten komen, indien deze niet naar buiten komt bij indrukken van de uitwerptoets. Bij normale omstandigheden moet altijd de uitwerptoets worden gebruikt. Wanneer u gebruik maakt van dit gat, moet u ervoor zorgen dat de stroomvoorziening van het station is uitgeschakeld en dan minimaal 1 minuut wachten zodat de disc volledig tot stilstand is gekomen.

### ② Hoofdtelefoonaansluiting (PHONES)

Op deze stereo ministekkerbus kan een hoofdtelefoon worden aangesloten. Zet de volumeregelaar in de minimumstand voordat u de hoofdtelefoon aansluit. De audio-uitgang op het achterpaneel is ook actief wanneer er een hoofdtelefoon is aangesloten.

### ③ Volumeregelaar

Gebruik deze regelaar voor het instellen van het volume van de hoofdtelefoon. Draai de regelaar naar rechts om het volume van de hoofdtelefoon te verhogen en naar links om het volume te verlagen.

### ④ Bezig-indicator (BUSY)

Deze indicator geeft de bedrijfsstatus aan.

Tijdens lezen	Licht
Tijdens schrijven	Licht

### ⑤ Ventilatie-openingen

Zorg dat dit gedeelte niet geblokkeerd is.

### ⑥ Uitwerptoets (▲)

Druk op deze toets om een disc te plaatsen of verwijderen.

### ⑦ Disc-lade

Open de disc-lade door op de uitwerptoets te drukken en plaats vervolgens een CD of DVD-disc met het label naar boven in de lade. Druk nogmaals op de uitwerptoets of duw tegen de voorkant van de lade om deze te sluiten.

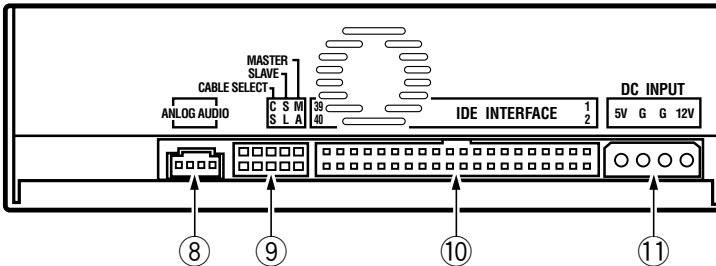
**Probeer de disc-lade niet met geweld naar buiten te trekken.**

## Voorzorgsmaatregelen bij het weergeven van 8-cm discs

*Een 8-cm disc kan niet worden weergegeven, ook wanneer een adapter is aangebracht, wanneer het station in de verticale stand staat.*

# INTERFACE

## ACHTERAANZICHT



### ⑧ Audio-uitgang

Deze uitgang stuurt een analog audio signaal uit.

De connector is compatibel met "Molex 70553". Gebruik een geschikte aansluitkabel.

Pin	Naam	Functie
1	L	Audio-uitgangssignaal, linker kanaal
2	G	Aarde
3	G	Aarde
4	R	Audio-uitgangssignaal, rechter kanaal

### ⑨ Apparaat-configuratiejumper

De schakelaar is ingeschakeld (ON) wanneer de jumper is geplaatst.

Zorg dat het station is uitgeschakeld voordat u de instelling van de jumper wijzigt.

Bij het verlaten van de fabriek is pin # 1 op ON ingesteld.

Pin	Naam	Functie	
1	MA	ON	Het station wordt in de master-modus gebruikt.
2	SL	ON	Het station wordt in de slave-modus gebruikt.
3	CS	ON	Gebruik van de Cable Select functie.
4			Gereserveerd
5			Gereserveerd

### ⑩ Host IDE-interface

Dit is een 40-pins I/O connector volgens de ATA specificaties.

### ⑪ Gelijkstroomingang

Pin	Naam	Functie
1	+12	Spanningsingang voor +12 V gelijkstroom
2	G	Aarde
3	G	Aarde
4	+5	Spanningsingang voor +5 V gelijkstroom

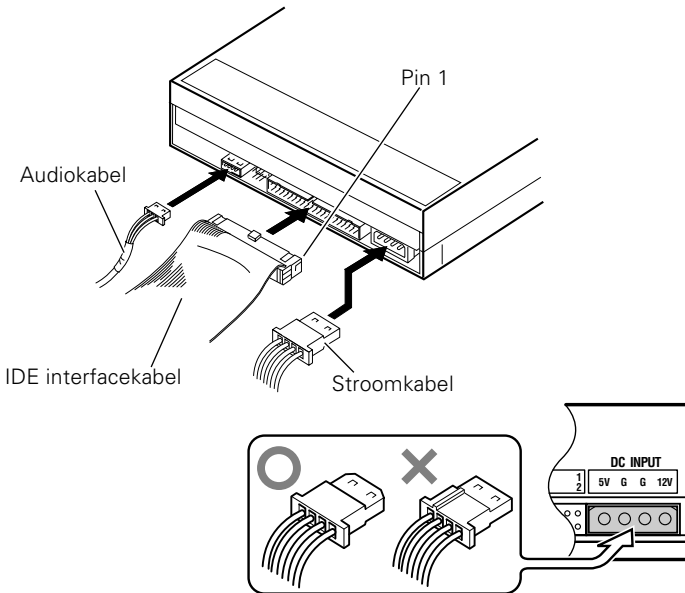


# INSTALLATIE

---

- ① Schakel de personal computer uit, trek de stekker uit het stopcontact en verwijder de afdekkap of het voorpaneel.
  - ② Verwijder het afdekpaneel van een leeg 5,25-inch stationsvak.
  - ③ Bevestig de montage-schuifrails aan de zijkanten van het station. (Neem contact op met de winkel waar u de computer hebt gekocht of met de fabrikant van de computer indien u niet weet of het gebruik van schuifrails nodig is.)
  - ④ Schuif het station in de opening van de computer.
  - ⑤ Raadpleeg voor eventuele verdere montageschappen de handleiding van de computer.
- 
- Gebruik montageschroeven met een lengte van 5 mm of minder. Bij gebruik van langere schroeven kan het station worden beschadigd.
  - Als de montageschroeven niet goed vastzitten e.d., kunnen de trillingen van de ronddraaiende disc stoorgeluiden veroorzaken. Zorg er daarom voor dat de schroeven stevig zijn vastgedraaid.

# AANSLUITINGEN



- Schakel de personal computer uit.
- Sluit de stroomkabel van de computer aan. Let erop dat de stekker correct is uitgelijnd.
- Sluit de IDE interfacekabel aan. Let erop dat pin 1 van de IDE connector van het station juist met pin 1 van de kabel wordt verbonden.
- Wanneer een geluidskaart wordt gebruikt, moet de audio-uitgang met behulp van een audiokabel met de geluidskaart worden verbonden.

Gebruik dit apparaat uitsluitend op de interne stroomvoorziening van de personal computer waarin het apparaat is ingebouwd. Het apparaat mag nooit op een andere stroombron worden aangesloten.

# TECHNISCHE GEGEVENS

## [Positie]

Dit station is geschikt voor gebruik in horizontale en verticale positie.

## [Disc-formaat]

- 12 cm / 8 cm\*

\* 8-cm discs kunnen niet gebruikt worden wanneer het station verticaal staat.

## [Gegevensoverdrachtsnelheid]

Gegevens lezen (blijvende snelheid)

DVD	Max. 16,62 MBytes/sec.
CD	Max. 4,92 MBytes/sec. (13,7 - 32X CAV modus met 16-blokken overdracht)

Gegevens schrijven (blijvende snelheid)

DVD	Ca. 5,54 MBytes/sec. (4X op DVD-R)
CD	Ca. 2,46 MBytes/sec. (16X op CD-R)

Host-interface specificatie

PIO modus 4, Multi Word DMA modus 2	16,6 MB/sec.
Ultra DMA modus 2	33,3 MBytes/sec.

- De gegevensoverdrachtsnelheid kan beïnvloed worden door de toestand van de disc (krassen enz.)

## [Toegangstijd/zoektijd]

Toegangstijd (random gemiddelde)

DVD-ROM 140 ms	CD-ROM 130 ms
----------------	---------------

Zoektijd (random gemiddelde)

DVD-ROM 120 ms	CD-ROM 100 ms
----------------	---------------

## [Audiogegevens]

Lijnuitgang	0,7 ± 0,1 Vrms (bij 10 kΩ belasting)
Hoofdtelefoonuitgang	0,7 ± 0,2 Vrms (bij 32 Ω belasting)

## [Overige]

Stroomvoorziening	+12 V gelijkstroom, 0,6 A +5 V gelijkstroom, 1,1 A
Afmetingen (inclusief voorpaneel)	148(B) x 42,3(H) x 198(D) mm
Gewicht	1,1 kg
Bedrijfstemperatuur	+5°C tot 45°C
Bedrijfsvochtigheid	5% tot 85% (geen condensatie)
Opslagtemperatuur	-40°C tot +60°C
Opslagvochtigheid	5% tot 90% (geen condensatie)

## [Toebehoren]

- Kortsluitjumper x 1
- Audiokabel x 1
- Montageschroef x 4
- Gebruiksaanwijzing x 1

## OPMERKING:

- Wijzigingen in ontwerp en technische gegevens op grond van verbeteringen voorbehouden, zonder voorafgaande kennisgeving.

このたびは、パイオニアの製品をお買い求めいただきましてまことにありがとうございます。本機のパフォーマンスを十分に発揮させて効果的にご利用いただくために、この取扱説明書をよくお読みになり、正しくお使いください。特に「安全上のご注意」は必ずお読みください。なお、「取扱説明書」は、必ず保管してください。

## 安全上のご注意

### 絵表示について

この取扱説明書および製品への表示は、製品を安全に正しくお使いいただき、あなたや他の人々への危害や財産への損害を未然に防止するために、いろいろな絵表示をしています。その表示と意味は次のようになっています。

内容をよく理解してから本文をお読みください。

#### ⚠ 警告

この表示を無視して、誤った取り扱いをすると、人が死亡または重傷を負う可能性が想定される内容を示しています。

#### ⚠ 注意

この表示を無視して、誤った取り扱いをすると、人が損害を負う可能性が想定される内容および物的損害のみの発生が想定される内容を示しています。

### 絵表示の例



△ 記号は注意(警告を含む)しなければなりません内容であることを示しています。

図の中に具体的な注意内容(左図の場合は感電注意)が描かれています。



⊘ 記号は禁止(やってはいけないこと)を示しています。

図の中や近くに具体的な禁止内容(左図の場合は分解禁止)が描かれています。



● 記号は行動を強制したり指示する内容を示しています。

図の中に具体的な指示内容(左図の場合は電源プラグをコンセントから抜く)が描かれています。

#### ⚠ 警告



厳守

- 本機を使用するときは、ご使用のパソコンのメーカーが指示している警告、注意表示を厳守してください。



分解禁止

- 本機を分解したり、改造したりしないでください。金属類や燃えやすいものなどが入ると火災・感電の原因となります。内部の点検・整備・修理は販売店にご依頼ください。

#### ⚠ 警告



プラグを抜く

- 万一煙が出ている、変なにおいや音がするなどの異常状態のまま使用すると火災・感電の原因となります。すぐに機器本体の電源スイッチを切り、必ず電源プラグをコンセントから抜いてください。煙が出なくなるのを確認して販売店に修理をご依頼ください。お客様による修理は危険ですから絶対おやめください。



プラグを抜く

- 万一内部に水や異物等が入った場合は、まず機器本体の電源スイッチを切り、電源プラグをコンセントから抜いて販売店にご連絡ください。そのまま使用すると火災・感電の原因となります。



プラグを抜く

- 万一本機を落としたり、カバーを破損した場合は、機器本体の電源スイッチを切り、電源プラグをコンセントから抜いて販売店にご連絡ください。そのまま使用すると火災・感電の原因となります。



水ぬれ禁止

- この機器に水が入ったり、ぬらさないようにご注意ください。火災・感電の原因となります。



規定電源以外禁止

- 表示された電源電圧以外の電圧で使用しないでください。火災・感電の原因となります。

#### ⚠ 注意



確実固定

- 本機の取り付けはパソコンの電源を切って行ってください。取付ねじにゆるみ等があるとディスクの回転による振動でピリつき音が発生することがあるので確実に取り付けてください。



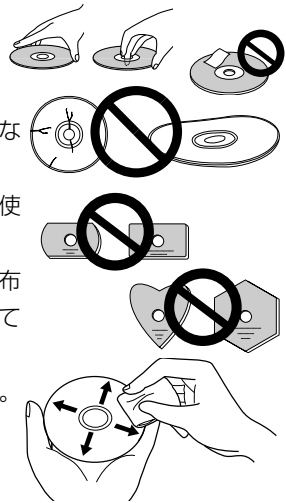
注意

- 本機を使用中にデータなどが消失した場合でも、データなどの保証はいたしかねます。故障に備えてバックアップをください。

## 使用上のご注意

- ホコリの多い場所や、高温・多湿の場所では使用しないでください。
- 振動や衝撃の加わらないようにしてください。
- 本機をシステムに組み込む際は、必ず本機とシステムの電源を切った状態で行ってください。
- 異物や水が入らないよう注意してください。
- 必ず、指定した電源に接続してください。
- 動作中に本機を動かしたり持ち上げたりしないでください。
- 結露に注意してください。結露した場合は、1～2時間程度放置してから使用してください。
- 内部点検や改造はお止めください。
- ご使用中に本機から異常な音やにおいがしたときは、必ず電源を切ってから、点検を受けてください。
- 本機の外観の清掃は柔らかい布で乾拭きしてください。汚れがひどい場合は中性洗剤を水で5～6倍に薄め、柔らかい布を浸してよく絞った後、汚れを拭き取り、その後乾いた布で拭いてください。ベンジン、シンナー、アルコール、殺虫剤等の揮発性の薬品をかけると表面が侵されることがありますので、使用しないでください。

- 信号面（光沢面）に触ったりキズをつけないでください。
- ディスクを持つときは両端か穴と端を持ってください。
- ディスクに紙やラベルを貼らないでください。
- ひびの入ったディスクや大きくそったディスクは使用しないでください。機器が故障する原因となります。
- 特殊な形（ハート形や六角形等）や規格外のディスクを使用しないでください。故障の原因となることがあります。
- ディスクにほこりや指紋がついているときは、柔らかい布で内周から外周へ放射状に拭いてください。円周に沿って拭かないでください。
- レコードスプレーや静電防止剤を使用しないでください。ディスクにダメージを与えることがあります。



ディスクを保管する際は、必ずディスクケースに入れ、使用する前に記録面に汚れやほこりが付いていないことを確認してください。

# 特 長

- 書き込み速度  
CLV 1×、2× (DVD-R)  
CLV 1×、2×、4× (High-Speed DVD-R)  
CLV 1× (DVD-RW)  
CLV 1×、2× (High-Speed DVD-RW)  
CLV 4×、8×、12×、16× (CD-R)  
CLV 4× (CD-RW)  
CLV 4×、8× (High-Speed CD-RW)
- 最大読み出し速度  
CAV 12× (DVD-ROM single)  
CAV 8× (DVD-ROM dual)  
CAV 6× (DVD-R、DVD-RW)  
CAV 32× (CD-ROM、CD-R、CD-RW)
- バッファサイズ  
2MB (書き込み/読み出し)
- IDEデータ転送モード  
PIO Mode 4/Multi Word DMA Mode 2/Ultra DMA Mode 2
- ビデオCD対応
- 5.25インチハーフハイト内蔵型
- ステレオオーディオ出力
- ヘッドホン出力 (ボリューム付き)
- LCDチルトサーボ機構
- 水平/垂直使用可
- DRAシステム低振動機構
- CD TEXT対応

## 対応フォーマット

- DVD single layer/dual layer/12cm ディスク/8cm ディスク
- DVD-R (書き込み時650nm波長記録一般用ディスクのみ)
- High-Speed DVD-R (4倍速DVD-R Revision 1.0)
- DVD-RW
- High-Speed DVD-RW (2倍速DVD-RW Revision 1.0)
- CD-ROM Mode 1
- CD-ROM XA Mode 2 (form 1、form 2)
- フォトCD (シングル、マルチセッション)
- CD-DA
- CD-Extra (CD PLUS)
- CD-R
- CD-RW、High-Speed CD-RW

## ご注意

上記フォーマットに対応したアプリケーションが必要です。

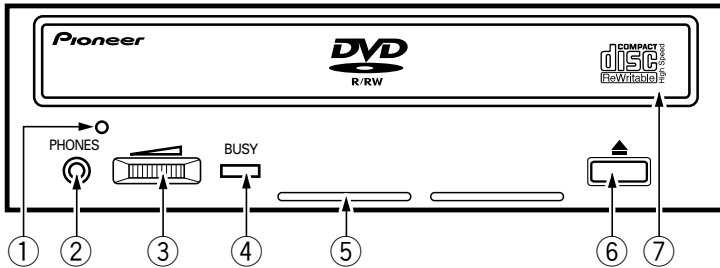
## リージョン (地域) コードについて

このドライブの地域コードの変更は (初回の設定を含め) **5 回しか行えません** ので (5 回目の変更が最終の地域コードとして固定されています)、変更を行う際には十分に注意してください。

- 地域コードは、DVD規格の一部です。しかし、地域コードはDVDディスクの随意科目ですので、地域コードを規定していないDVDディスクはすべてのプレーヤーで再生できます。

# 各部の名称と働き

## 前面部



### ① 強制イジェクト穴

イジェクトボタンを押してもディスクトレイが開かない場合に、細長い棒をこの穴に挿入することによりディスクトレイを開けます。通常は、イジェクトボタンを押してディスクトレイを開けてください。強制イジェクト穴を使用する場合は、必ず電源を切り、ディスクの回転が止まるまで1分以上待ってからにしてください。

### ② ヘッドホン端子(PHONES)

ヘッドホンを接続するステレオミニジャックです。ヘッドホンプラグを差し込む前に、ボリュームコントロールを最小にしてください。ヘッドホンプラグを差し込んで、後面部のオーディオアウトポート端子は使えます。

### ③ ボリュームコントロール

ヘッドホン端子の音量を調整するときに使用します。右に回すとヘッドホンの音量が上がり、左に回すと下がります。

### ④ ビジーインジケータ(BUSY)

動作状態が以下のように表示されます。

読み取り中	点灯
書き込み中	点灯

### ⑤ 通風孔

ここをふさがないでください。

### ⑥ イジェクトボタン (▲)

ディスクトレイを開閉します。

### ⑦ ディスクトレイ

イジェクトボタンを押してディスクトレイを開け、ラベル面を上にしてCDまたはDVDディスクを溝に合わせて置きます。

イジェクトボタンを押すか、トレイの前面を軽く押してトレイを閉じます。

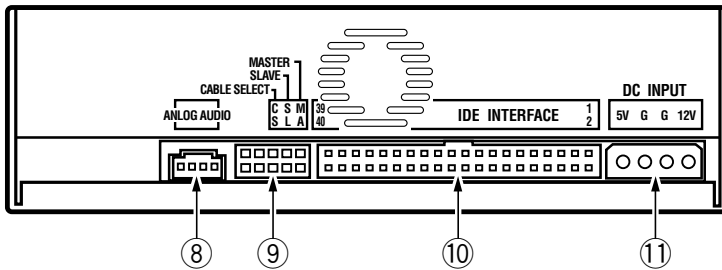
**ディスクトレイを無理やり引き出さないでください。**

## 8cmディスクの使用について

本機を垂直に設置したときは、ディスクに8cmアダプターを装着しても8cmディスクを使用できません。

# 各部の名称と働き

## 後面部



### ⑧ オーディオアウトプット端子

アナログオーディオ送出力用コネクタです。モレックス 70553 を使用していますので接続ケーブルはそれに適合したものを選択してください。

ピン	名称	機能
1	L	オーディオ出力 (Lch)
2	G	接地
3	G	接地
4	R	オーディオ出力 (Rch)

### ⑨ デバイスコンフィギュレーションジャンパー

短絡ソケットを取り付けるとONに設定されます。ジャンパーの設定を変える時は必ず電源を切ってください。ピン1は工場出荷時にはONに設定されています。

ピン	名称	機能
1	MA	ON   ドライブがマスターモードで使用されます。
2	SL	ON   ドライブがスレーブモードで使用されます。
3	CS	ON   ケーブル選択動作に使います。
4		予備 (RESERVED)
5		予備 (RESERVED)

### ⑩ ホストIDEインターフェース

ATA仕様に準拠する40ピン/I/Oコネクタです。

### ⑪ DC INPUT端子

DC+5Vおよび+1.2V電源の入力です。

ピン	名称	機能
1	+12	DC+1.2V電源入力
2	G	接地
3	G	接地
4	+5	DC+5V電源入力

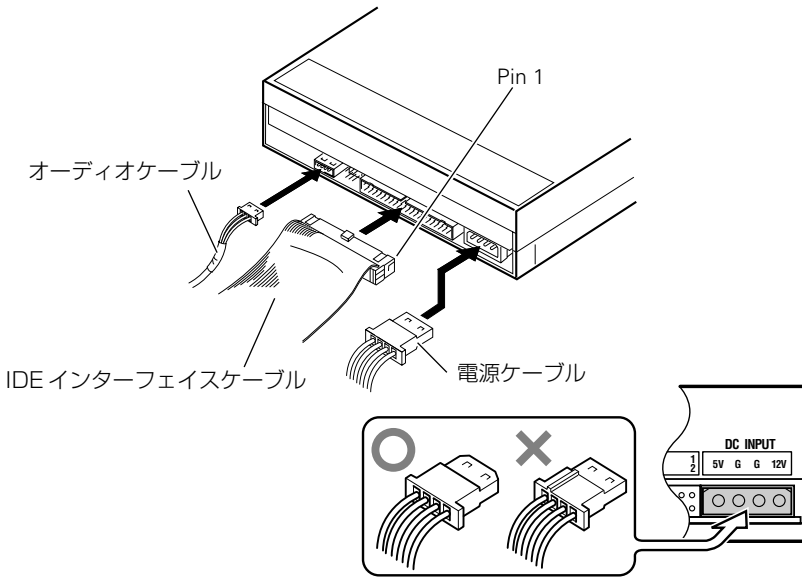


# ドライブの取り付けかた

---

- ① コンピュータの電源を切り、電源コードをACコンセントからはずしてから、カバーまたはフロントパネルを取り外します。
  - ② 5.25インチスロット前面に付けられているブランクパネルを外します。
  - ③ ドライブに固定用スライドレールを取り付けます。（スライドレールが必要な場合は販売店またはコンピュータメーカーにお問い合わせください。）
  - ④ ドライブをスロット内に挿入してください。
  - ⑤ 固定が必要な場合にはコンピュータの取扱いマニュアルに従って固定してください。
- 
- 取付け用ネジは5mm以下のものを使用してください。長いネジを使用した場合はドライブが損傷を受ける場合があります。
  - 取付ネジにゆるみ等があると、ディスクの回転による振動でビリつき音が発生することがあるので、確実に取り付けてください。

# 接続のしかた



- コンピュータの電源を切ります。
- コンピュータからの電源ケーブルを接続します。接続時はケーブルの極性に注意してください。
- IDE インターフェイスケーブルを接続します。この時ドライブのIDEコネクタのpin 1にケーブルのpin 1が正しく接続されていることを確認してください。
- サウンドボードを使用する場合は、オーディオアウト端子とサウンドボードの間をオーディオケーブルで接続します。

ケーブルを接続する時は必ずコンピュータの電源を切ってから行ってください。本機の電源は必ず接続されているコンピュータからとってください。コンピュータの内蔵電源以外は使用しないでください。

# 仕様

## [設置]

本機は水平/垂直設置用です。

## [ディスクサイズ]

12 cm/ 8cm\*

\*垂直設置時は8 cmディスクを使用できません。

## [転送レート]

データ読み取り (サスティンド)

DVD	Max. 16.62 MB/s
CD	Max. 4.92 MB/s (13.7 ~ 32X CAV Mode over 16 block transfer)

データ書き込み (サスティンド)

DVD	Ave. 5.54 MB/s(4X DVD-R)
CD	Ave. 2.46 MB/s(16X CD-R)

ホストインターフェース規格

PIO Mode 4, Multi word	DMA Mode 2	16.6 MB/s
Ultra DMA Mode 2		33.3 MB/s

• 転送レートはディスクの状態により低下します (キズ等)。

## [アクセスタイム/シークタイム]

アクセスタイム (ランダム平均)

DVD-ROM	140 ms	CD-ROM	130 ms
---------	--------	--------	--------

シークタイム (ランダム平均)

DVD-ROM	120 ms	CD-ROM	100 ms
---------	--------	--------	--------

## [オーディオ出力]

ライン出力 0.7 ±0.1 Vrms (10 k $\Omega$ 負荷時)

ヘッドホン出力 0.7 ±0.2 Vrms (32  $\Omega$ 負荷時)

## [その他]

電源	DC +12 V, 0.6 A
	DC +5 V, 1.1 A

外形寸法 (フロントパネルを含む) 148 (幅) x 42.3 (高さ) x 198 (奥行) mm

質量	1.1 kg
動作温度	+5 $^{\circ}$ C ~ +45 $^{\circ}$ C
動作湿度	5% ~ 85% (結露のないこと)
保存温度	-40 $^{\circ}$ C ~ +60 $^{\circ}$ C
保存湿度	5% ~ 90% (結露のないこと)

## [付属品]

短絡ソケット x 1  
オーディオケーブル x 1  
取付ネジ x 4  
取扱説明書 x 1

- 仕様および外観は改良のため予告なく変更する場合があります。

## AFTER-SALES SERVICE FOR PIONEER PRODUCTS

Please contact the dealer or distributor from where you purchased the product for its after-sales service (including warranty conditions) or any other information. In case the necessary information is not available, please contact the Pioneer's subsidiaries (regional service headquarters) listed below:

PLEASE DO NOT SHIP YOUR PRODUCT TO THE COMPANIES at the addresses listed below for repair without advance contact, for these companies are not repair locations.

### AMERICA

PIONEER ELECTRONICS (USA) INC.  
CUSTOMER SUPPORT DIVISION  
P.O. BOX 1760, LONG BEACH, CA 90801-1760, U.S.A.

### EUROPE

PIONEER EUROPE NV  
EUROPEAN SERVICE DIVISION  
HAVEN 1087, KEETBERGLAAN 1, B-9120 MELSELE, BELGIUM

### ASEAN

PIONEER ELECTRONICS ASIACENTRE PTE. LTD.  
SERVICE DEPARTMENT  
253, ALEXANDRA ROAD #04-01 SINGAPORE 159936

### JAPAN AND OTHERS

PIONEER CORPORATION (HEAD OFFICE)  
CUSTOMER SUPPORT CENTER  
4-1, MEGURO 1-CHOME, MEGURO-KU, TOKYO 153-8654 JAPAN

S022D\_En

© 2002 パイオニア株式会社 禁無断転載

Published by Pioneer Corporation.  
Copyright © 2002 Pioneer Corporation.  
All rights reserved.

**パイオニア株式会社** ☎ 153-8654 東京都目黒区目黒1丁目4番1号

**PIONEER CORPORATION** 4-1, Meguro 1-Chome, Meguro-ku, Tokyo 153-8654, Japan  
**PIONEER ELECTRONICS (USA) INC.**

2265 East 220th Street, Long Beach, CA 90810, U.S.A. TEL: 1-310-952-2111

**PIONEER EUROPE NV MULTIMEDIA DIVISION**

PIONEER House, Hollybush Hill, Stoke Poges, Slough SL2 4QP U.K. TEL: 44-1753-789-789

**PIONEER ELECTRONICS OF CANADA, INC. Industrial Products Department:**

300 Allstate Parkway, Markham, Ontario L3R 0P2, Canada TEL: 1-905-479-4411

**PIONEER ELECTRONICS AUSTRALIA PTY. LTD.**

178-184 Boundary Road, Braeside, Victoria 3195, Australia TEL: 61-39-586-6300

**PIONEER ELECTRONICS ASIACENTRE PTE. LTD.**

253 Alexandra Road, #04-01, Singapore 159936 TEL: 65-6472-1111

<TSZZF/02H00000>

Printed in China / Imprimé au Chine <DRC1189-A>

## Free Manuals Download Website

<http://myh66.com>

<http://usermanuals.us>

<http://www.somanuals.com>

<http://www.4manuals.cc>

<http://www.manual-lib.com>

<http://www.404manual.com>

<http://www.luxmanual.com>

<http://aubethermostatmanual.com>

Golf course search by state

<http://golfingnear.com>

Email search by domain

<http://emailbydomain.com>

Auto manuals search

<http://auto.somanuals.com>

TV manuals search

<http://tv.somanuals.com>