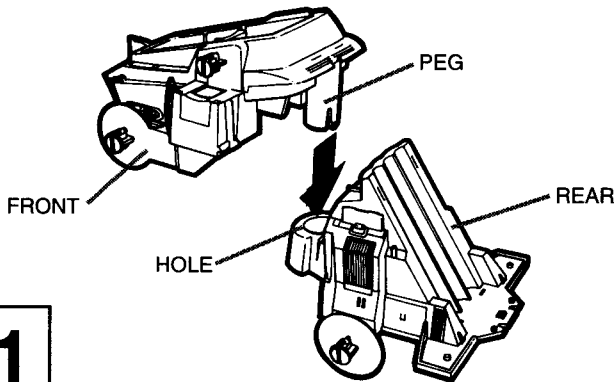


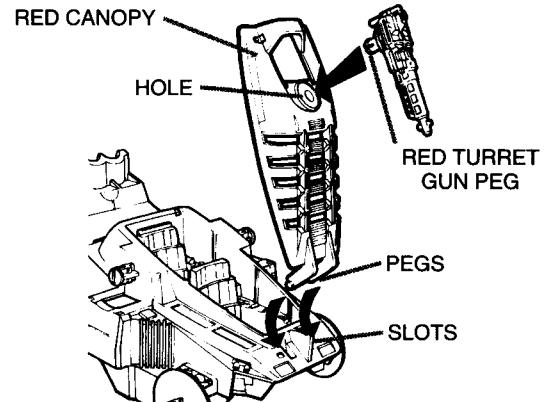
Contains: Front and rear body, mortar tube cover, scoop, right and left scoop arms, canopy, scoop handle, scoop release handle, three mortar triggers, turret gun, two missile rack guns, four wheels, three mortar bomb assemblies, four missiles, label sheet and instructions.

BODY ASSEMBLY



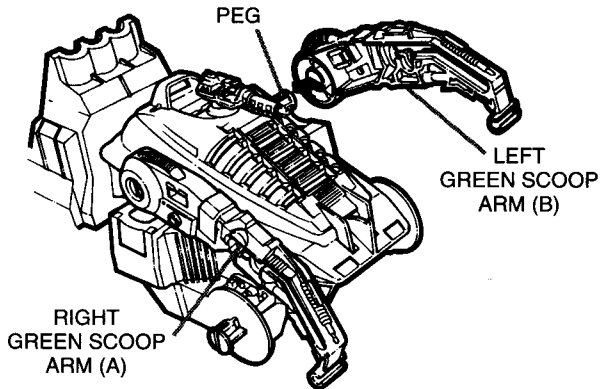
1

CANOPY AND TURRET GUN INSTALLATION



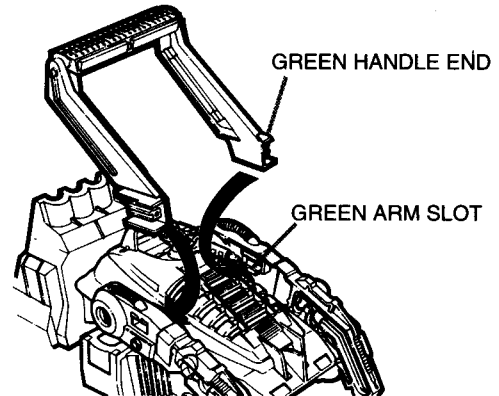
2

SCOOP ARMS ASSEMBLY



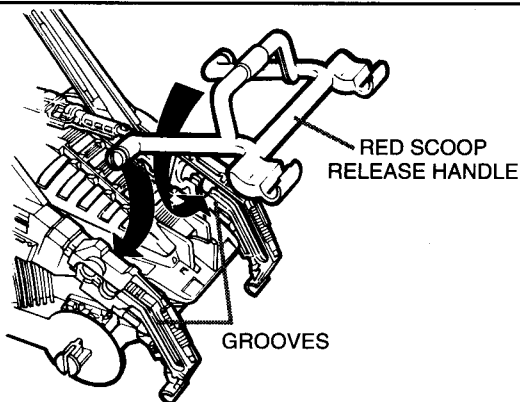
3

SCOOP HANDLE INSERTION



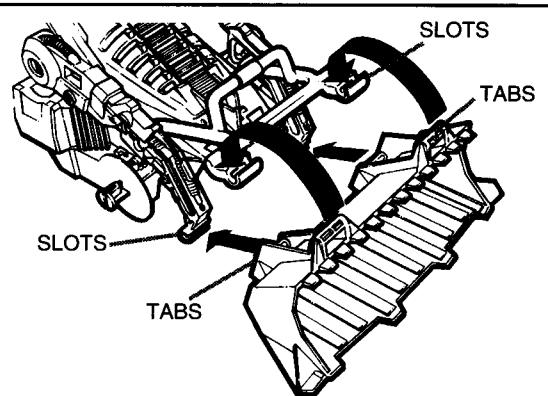
4

SCOOP RELEASE HANDLE INSTALLATION



5

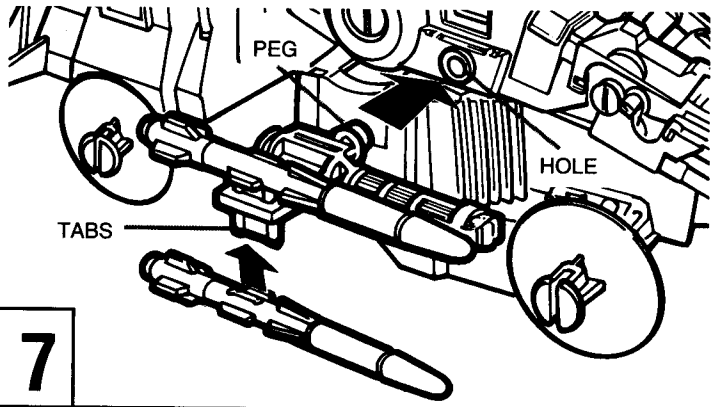
SCOOP INSTALLATION



6

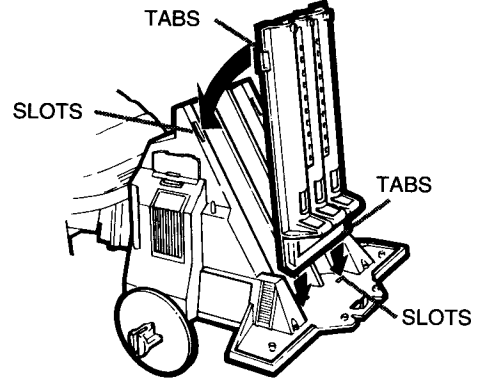
- 1 Snap peg on front purple body section into hole in rear purple body section. (ILL. 1)
- 2 Snap pegs at front of red canopy into slots on front purple body section. Snap peg on bottom of red turret gun into hole on top of canopy. (ILL. 2)
- 3 Snap the left green scoop arm (B) onto peg on the left side of front purple body section. Snap the right green scoop arm (A) onto peg on right side of front purple body section. (ILL. 3)
- 4 Fit the end of one side of green scoop handle into the inside slot on green scoop arm as shown. Repeat process for other side of handle (ILL. 4)
- 5 Gently squeeze together the ends of the red scoop release handle and slide them into the grooves in sides of green scoop arms as shown. (ILL. 5)
- 6 Snap tabs on bottom of purple scoop into slots on green scoop arms. Snap tabs on top of purple scoop into slots on red scoop release handle. (ILL. 6)

MISSILE RACK ASSEMBLY



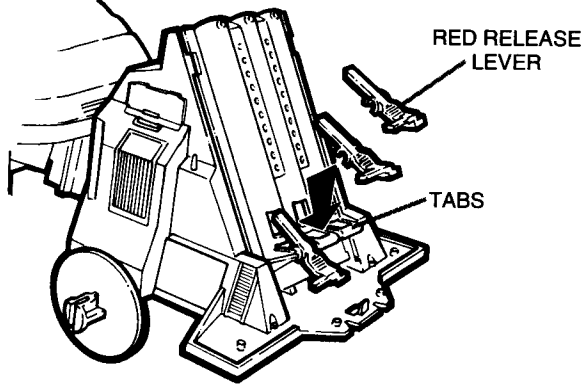
7

MORTAR COVER INSTALLATION



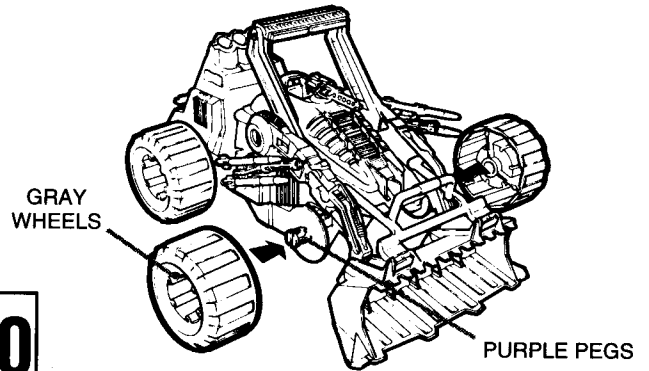
8

RELEASE LEVERS ASSEMBLY



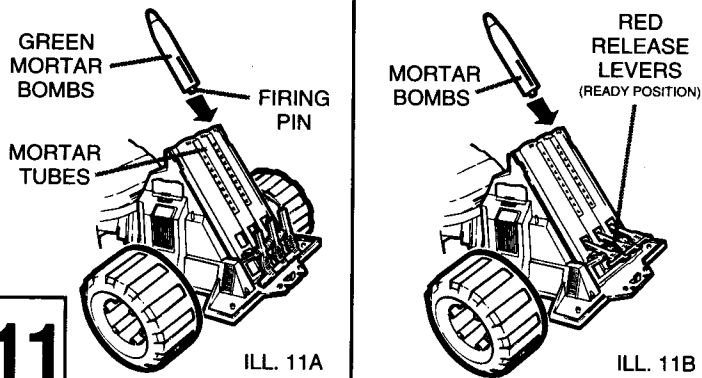
9

WHEEL ASSEMBLY



10

FIRING MORTAR BOMBS



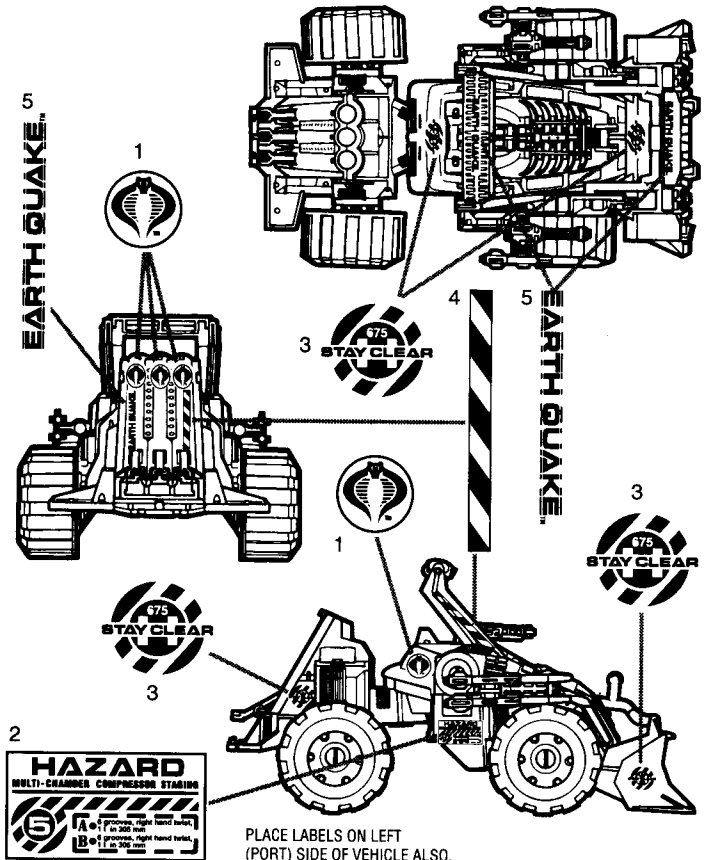
11

- 7 Snap peg on red missile rack gun into hole in side of green scoop arm and repeat process on other side. Push red missiles onto tabs on the top and bottom of missile rack gun. (ILL. 7)
- 8 Slide tabs on bottom of red mortar cover into slots in rear body section. Snap tabs on the upper sides of mortar cover into slots at top of rear body section. (ILL. 8)
- 9 Snap the three red release levers onto tabs at bottom of mortar cover as shown. (ILL. 9)
- 10 Snap gray wheels onto purple pegs on vehicle body as shown. (ILL. 10)
- 11 **To fire green mortar bombs automatically:** Set firing pin in mortar bomb to firing position by pushing pin up into bomb and pressing in on side tab. Drop mortar bomb into mortar tube to automatically fire. (ILL. 11A)
To fire green mortar bombs manually: Set firing pin in mortar bomb to firing position by pushing pin up into bomb and pressing in on side tab. Set red release levers in the "Ready Position." Gently lower bombs into mortar tubes and press levers down to launch mortars. (ILL. 11B)

NOTE: If mortar bombs do not fire, turn vehicle over until mortar bombs slide out of mortar tubes. Repeat the firing process.
Caution: Do not aim weapon at eyes or face.

KEEP FACE AWAY FROM MORTAR TUBES AT ALL TIMES.

Peel and apply labels as shown.



2

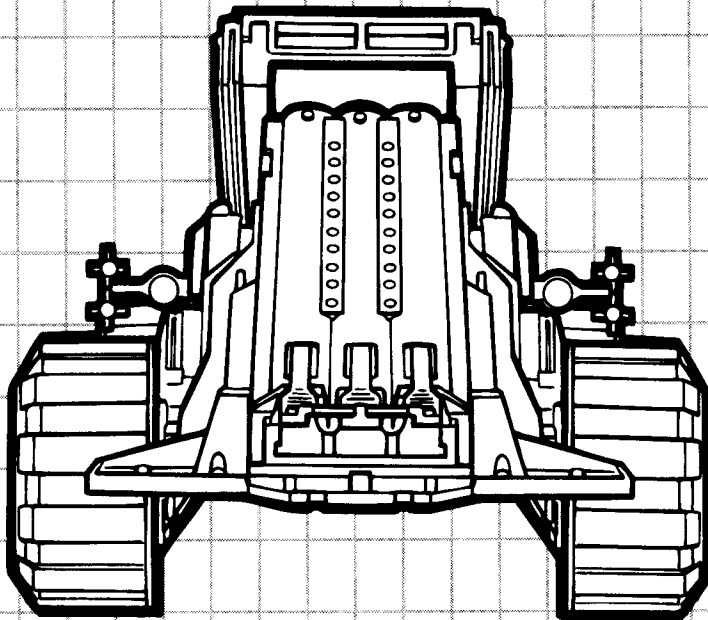


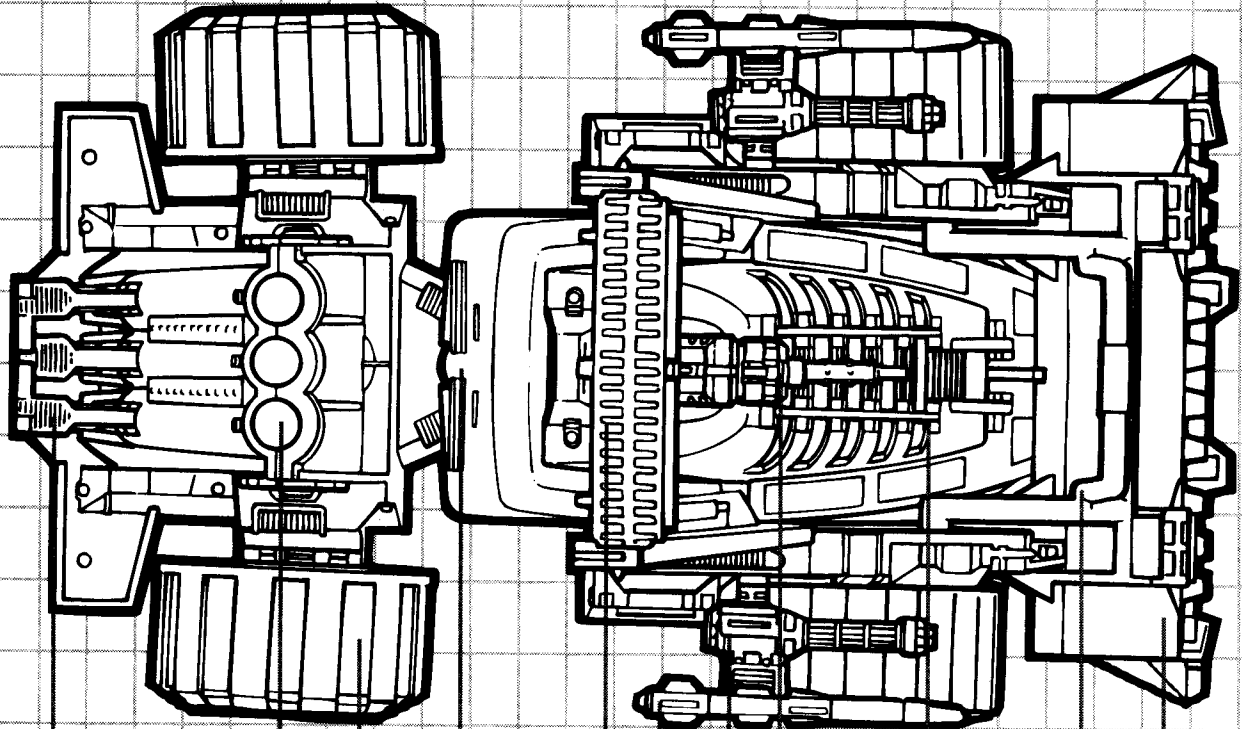
PLACE LABELS ON LEFT (PORT) SIDE OF VEHICLE ALSO.

COBRA™ EARTHQUAKE™

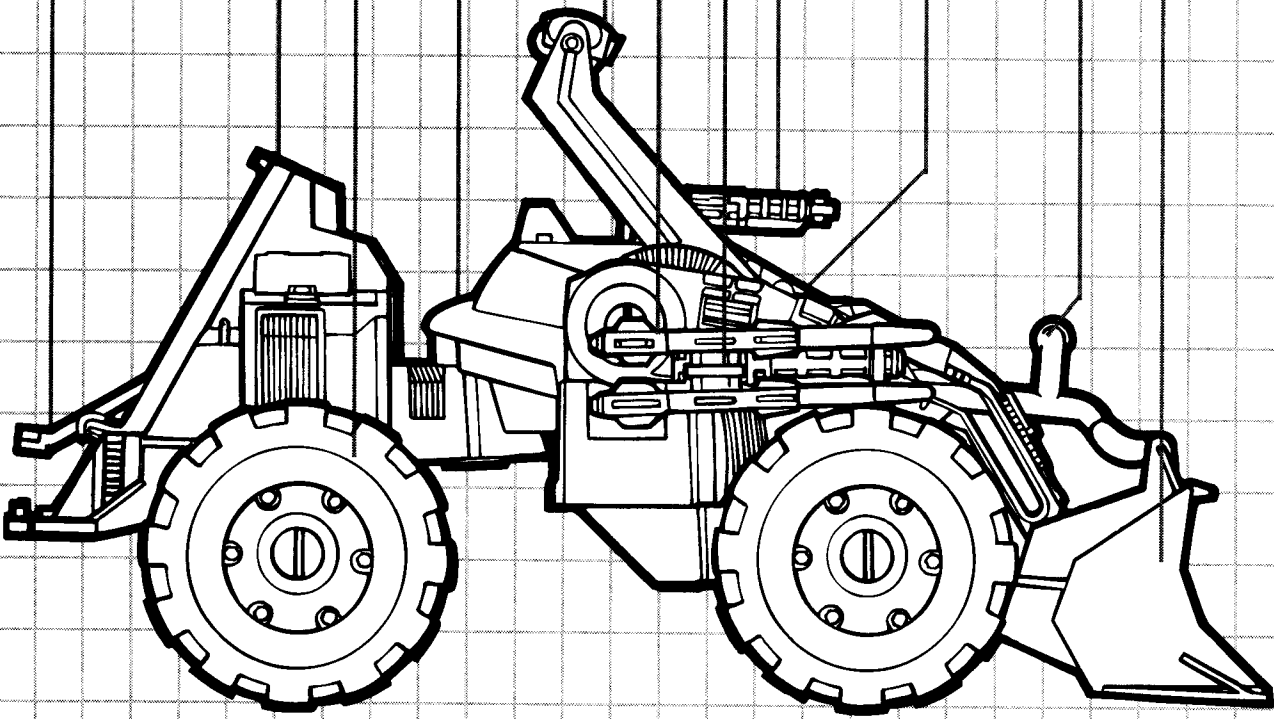
OFFICIAL COBRA™ VEHICLE SPECIFICATIONS

- 1) THREE AUTO-FIRE MORTAR TRIGGERS**
- 2) THREE "DROP 'N SHOOT" EXQ-1 MORTAR BOMBS**
- 3) OVER-SIZED, SELF ADJUSTING ROUGH TERRAIN TIRES**
- 4) DUAL-ACTION STEERING**
- 5) MAIN LIGHTING BAR AND LASER TARGETING SCANNERS**
- 6) FOUR SURFACE-TO-SURFACE "GROUND-POUNDER" MISSILES**
- 7) PIVOTING MISSILE RACK WITH RAPID-FIRE LASER CANNONS**
- 8) 50mm TURRET MACHINE GUN WITH INJECTION COOLING**
- 9) FLIP-DOWN ARMORED CANOPY**
- 10) SCOOP RELEASE HIGH-TENSION BAR**
- 11) FULLY AUTO-HYDRAULIC DIGGER BATTLE SCOOP**





1 2 3 4 5 6 7 8 9 10 11



Free Manuals Download Website

<http://myh66.com>

<http://usermanuals.us>

<http://www.somanuals.com>

<http://www.4manuals.cc>

<http://www.manual-lib.com>

<http://www.404manual.com>

<http://www.luxmanual.com>

<http://aubethermostatmanual.com>

Golf course search by state

<http://golfingnear.com>

Email search by domain

<http://emailbydomain.com>

Auto manuals search

<http://auto.somanuals.com>

TV manuals search

<http://tv.somanuals.com>