



GLOWORM® Instructions

#0866

Ages: Infant & 1

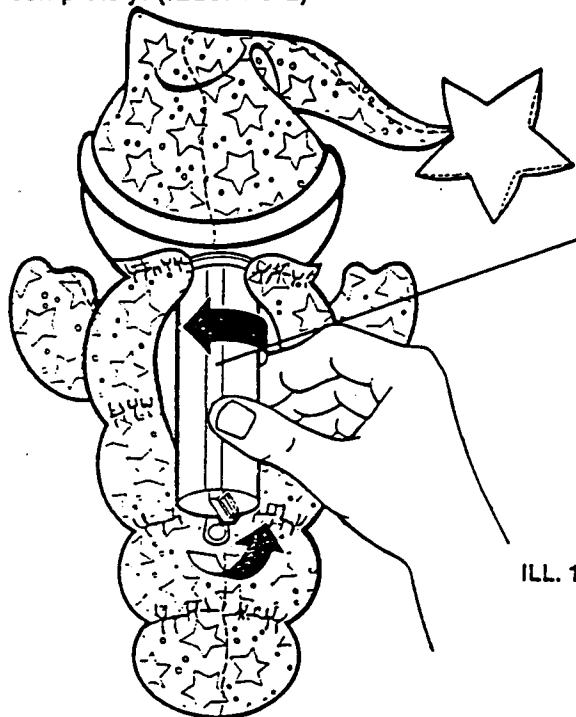
(Includes Washing Instruction)

NOTE: This toy was designed with your child's safety in mind. Gloworm has a child-proof battery pack that must be removed and installed by an adult. Please be aware of this and follow the directions carefully. During shipment or after washing, stuffing may shift and cause Gloworm's light to stay on. If this occurs, simply redistribute stuffing evenly throughout pajamas, until light goes on only when activated.

HOW TO REMOVE BATTERY PACK FOR INSTALLING BATTERIES AND WASHING:

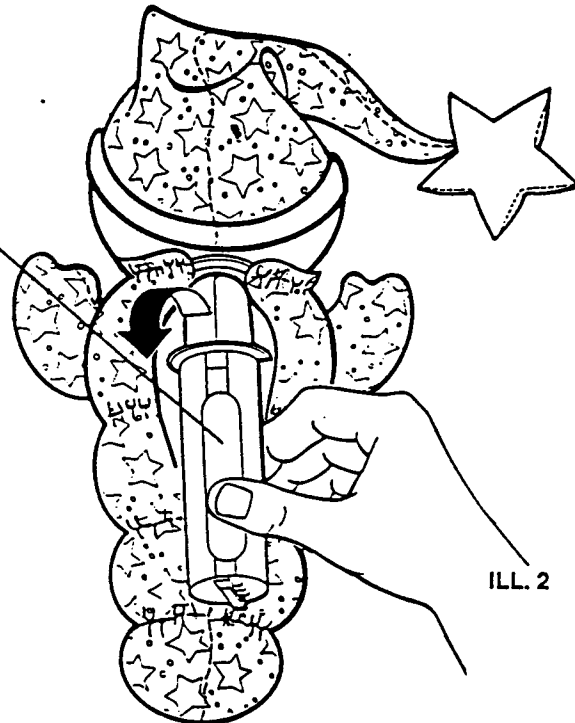
For this you'll need: a Phillips head screwdriver

1. Unzip Gloworm's pajamas.
2. To remove battery pack for Gloworm, twist battery pack 1/4 turn in a counterclockwise direction, and pull out completely. (ILLS. 1 & 2)



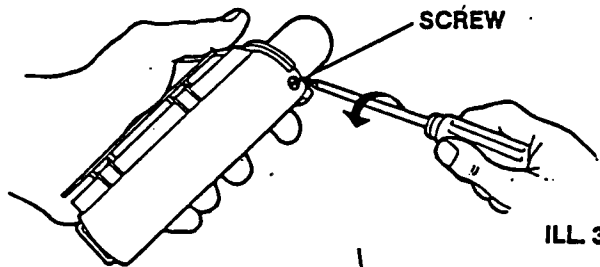
ILL. 1

BATTERY PACK

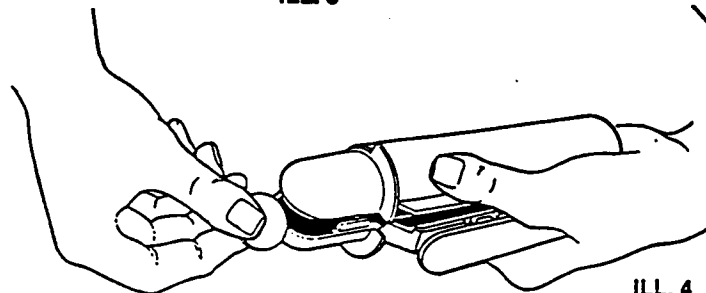


ILL. 2

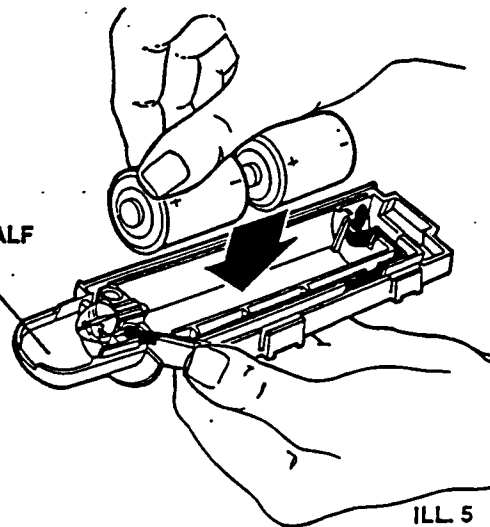
3. Remove the screw located near the tip of the pack with a Phillips head screwdriver. Should you lose the screw, a 4mm screw, which can be purchased in most hardware stores, can be substituted. (ILL. 3)
4. Separate the battery pack into two halves. If necessary, insert a small coin (such as a dime) into the slot on the tip of the battery pack to separate it. (ILL. 4)
5. Place two "C" size alkaline batteries (not included) into the bottom half of the battery pack, making sure batteries are positioned properly. (ILL. 5) A light bulb is included with Gloworm; should it need replacing, use a PR-4 lightbulb or equivalent.



ILL. 3



ILL. 4



ILL. 5

Free Manuals Download Website

<http://myh66.com>

<http://usermanuals.us>

<http://www.somanuals.com>

<http://www.4manuals.cc>

<http://www.manual-lib.com>

<http://www.404manual.com>

<http://www.luxmanual.com>

<http://aubethermostatmanual.com>

Golf course search by state

<http://golfingnear.com>

Email search by domain

<http://emailbydomain.com>

Auto manuals search

<http://auto.somanuals.com>

TV manuals search

<http://tv.somanuals.com>