



**CAUTION:** This product contains small parts which are necessary for assembly. Prior to and during assembly of this product, keep small parts out of children's reach. Small parts pose a choke hazard to children under 3 years.

**AGES 3+**  
22613

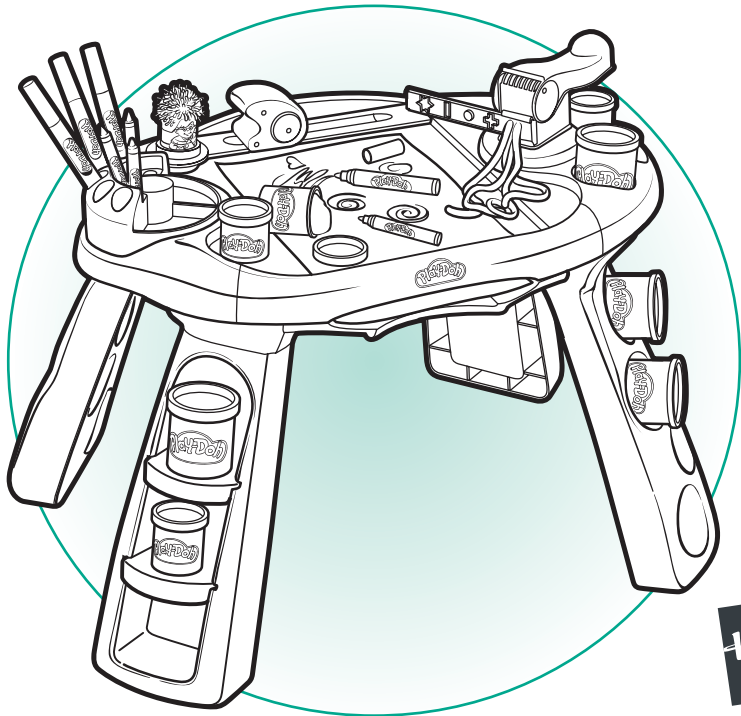


## Creativity Table™

**CONTENTS:** 8 five-ounce cans and 4 two-ounce cans of PLAY-DOH® Brand Modeling Compound (Net Weight 48 oz., 1357 grams), tabletop center, 2 tabletop ends, 4 table legs, carousel, roller, ruler, FUZZY PUMPER® extruder, extruder ring, extruder post, extruder rail, FUN FACTORY® extruder, 20 cutters and rollers, 4 shelves, 4 crayons, 4 markers, 10 sheets of paper, bag of screws, and instructions.

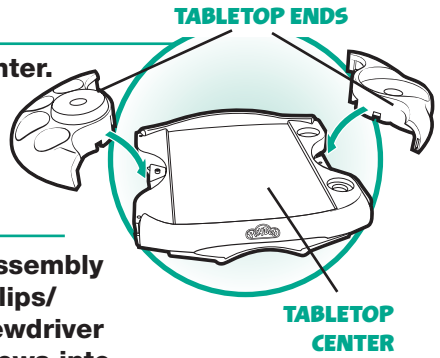
Adult assembly required.

Phillips/cross head screwdriver (not included) required for assembly.

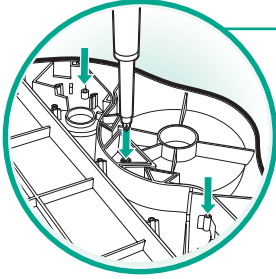


# ASSEMBLY

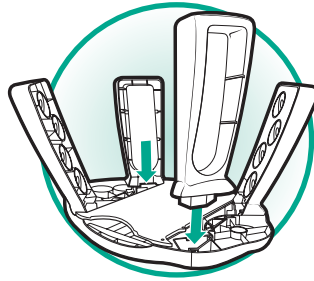
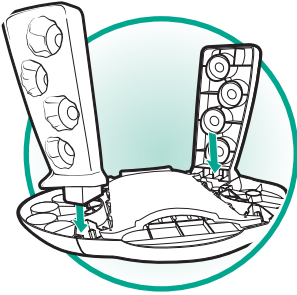
1. Fit 2 tabletop ends onto tabletop center.



2. Turn tabletop assembly over. Use a Phillips/cross head screwdriver to tighten 3 screws into tabletop center/end on one side. Repeat for other side.

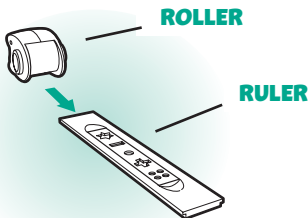
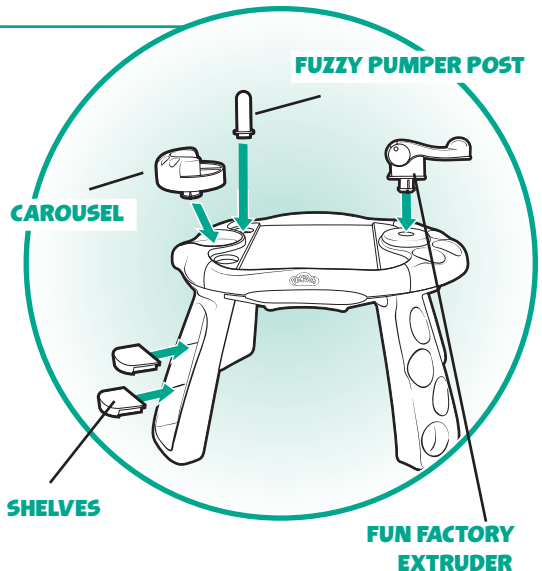


3. Push and snap legs onto table as shown. Be sure to match the letter on the leg with the letter on the table.



**NOTE:** Be sure to insert each table leg at a slight angle (as shown). Gently rock each leg into place until an audible "snap" is heard.

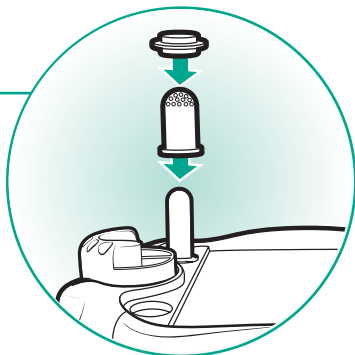
4. Stand table on legs. Snap carousel onto tabletop. Snap FUZZY PUMPER® post onto tabletop. Snap FUN FACTORY® extruder onto tabletop.
5. Fit 4 shelves into either of the legs with shelf slots.
6. Slide roller onto ruler.



## PLAY FEATURES

### FUZZY PUMPER

1. Fill **FUZZY PUMPER** extruder with **PLAY-DOH** compound.
2. Slide extruder ring over extruder.
3. Slide **FUZZY PUMPER** extruder onto post to extrude compound!

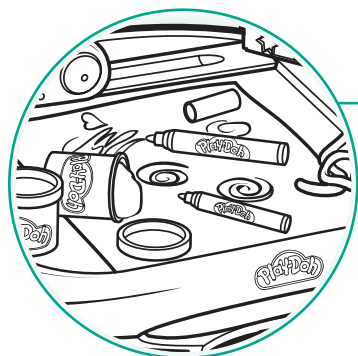
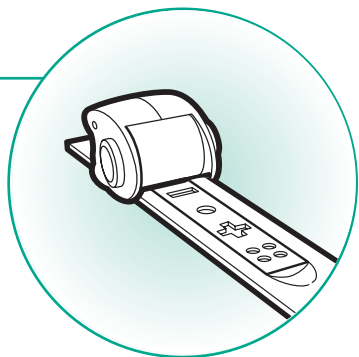


### FUN FACTORY

1. Fill **FUN FACTORY** extruder with **PLAY-DOH** compound.
2. Slide the extruder rail on and choose the shape you want.
3. Press the **FUN FACTORY** handle to extrude compound!

### RULER DESIGNS

1. Press **PLAY-DOH** compound into recess in ruler.
2. Place extruder rail over compound.
3. Slide the roller over the rail for cool creations!



### DRAWING

1. Use the markers and crayons to write, draw pictures on the paper!

## STORAGE

- Store **PLAY-DOH® Brand Modeling Compound** cans in the can holders on the shelves.
- Place crayons and markers in the carousel.
- Store roller on a shelf; store ruler and extruder rail in paper tray.

## EASY 3-STEP CLEANUP!

---

1. Place **PLAY-DOH Brand Modeling Compound** back in cans and seal lid.
2. Remove excess from carpets/fabrics, then allow remaining compound to dry.
3. Loosen dried compound with stiff brush and vacuum clean. If necessary, brush with gentle soap and cold water. (Do not use hot water or cleaning solutions to clean **PLAY-DOH** compound from carpets/fabrics.)

**Note to parents:** Markers and crayons may stain certain surfaces. Use soap and warm water to clean.

I Want My Play-Doh®, Please!  
Fun to play with, but not to eat.  
Molded results vary depending on child's age and level of skill.

Product and colors may vary.  
NOTICE TO PARENTS: CONTAINS WHEAT  
NONTOXIC. CONFORMS TO ASTM D-4236  
PLAY-DOH and the PLAY-DOH logo are trademarks identifying  
quality modeling compound products produced exclusively by  
Hasbro, Inc.  
© 2005 Hasbro. All Rights Reserved.  
TM & ® denote U.S. Trademarks.  
U.S. Patent No. 6,713,624  
22613 P/N 6486210000

**PLAYDOH.COM**   
FOR NEW PRODUCTS AND OFFERS  
Questions? Call: 1-800-327-8264

## Free Manuals Download Website

<http://myh66.com>

<http://usermanuals.us>

<http://www.somanuals.com>

<http://www.4manuals.cc>

<http://www.manual-lib.com>

<http://www.404manual.com>

<http://www.luxmanual.com>

<http://aubethermostatmanual.com>

Golf course search by state

<http://golfingnear.com>

Email search by domain

<http://emailbydomain.com>

Auto manuals search

<http://auto.somanuals.com>

TV manuals search

<http://tv.somanuals.com>