

# TRANSFORMERS



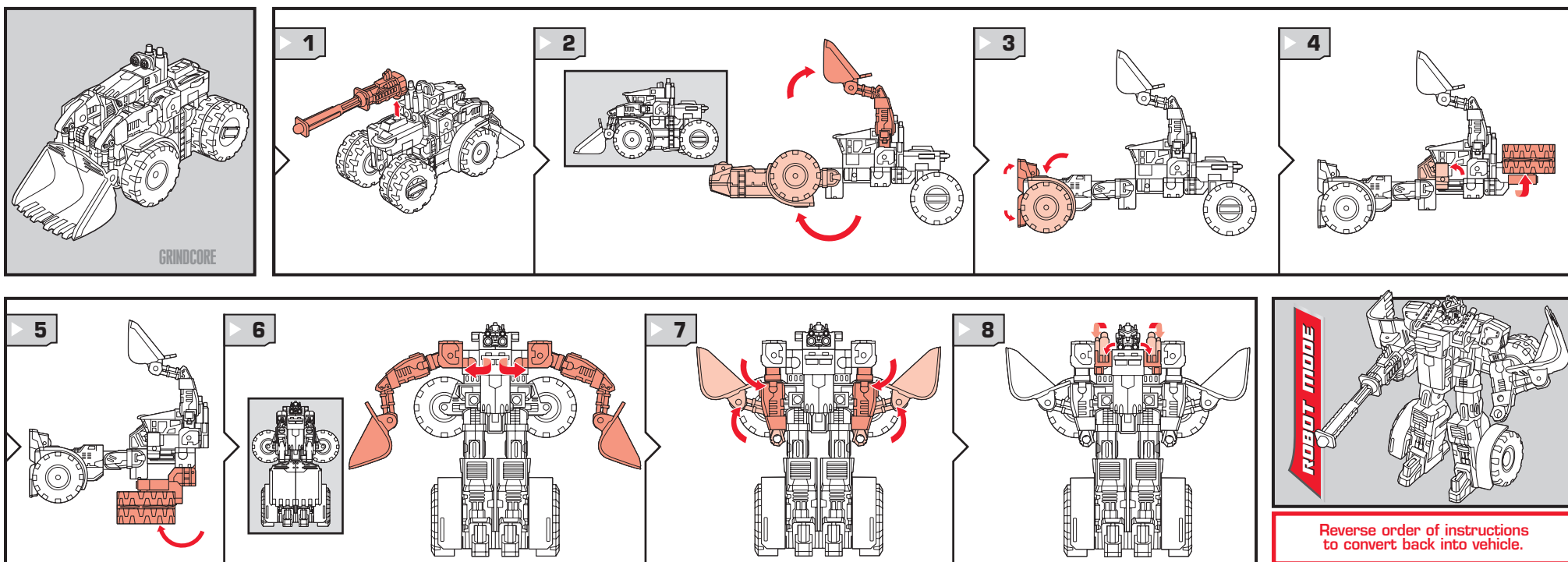
**WARNING:**  
CHOKING HAZARD-Small parts.  
Not for children under 3 years.

**AGES 5+**  
83747/15200 Asst.

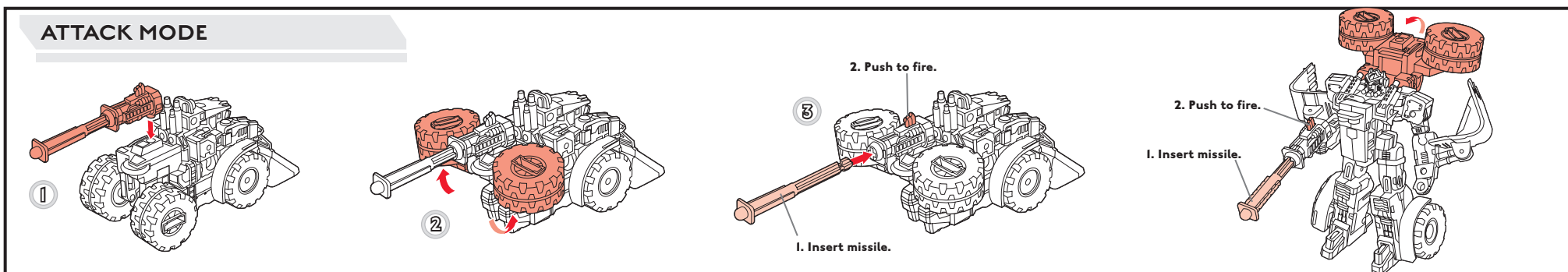
TRANSFORMERS.COM

NOTE: Some parts are made to detach if excessive force is applied and are designed to be reattached if separation occurs. Adult supervision may be necessary for younger children.

## CHANGING TO ROBOT

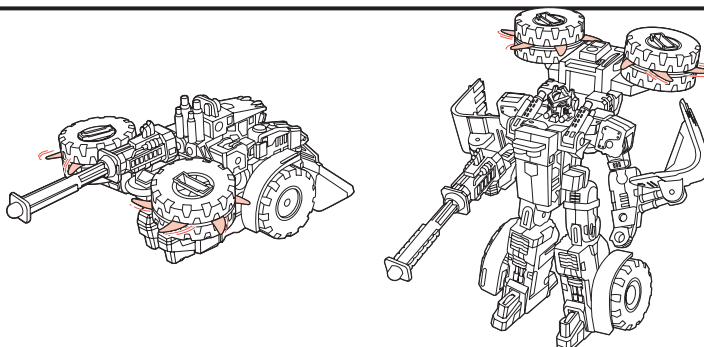
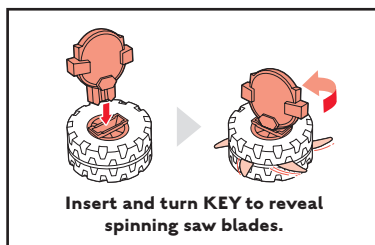


## ATTACK MODE



**KEY  
ACTIVATED**

**INSERT KEY TO  
ACTIVATE FEATURES!**



Not suitable for children under 3 years because of small parts - choking hazard.

**DREAMWORKS  
PICTURES**



Some poses may require hand support.  
© 2007 DreamWorks LLC and Paramount Pictures Corporation  
© 2007 Hasbro. All rights reserved.  
TM & © denote U.S. trademarks.  
Manufactured under license from Tomy Company, Ltd.

P/N 6763390000

## Free Manuals Download Website

<http://myh66.com>

<http://usermanuals.us>

<http://www.somanuals.com>

<http://www.4manuals.cc>

<http://www.manual-lib.com>

<http://www.404manual.com>

<http://www.luxmanual.com>

<http://aubethermostatmanual.com>

Golf course search by state

<http://golfingnear.com>

Email search by domain

<http://emailbydomain.com>

Auto manuals search

<http://auto.somanuals.com>

TV manuals search

<http://tv.somanuals.com>