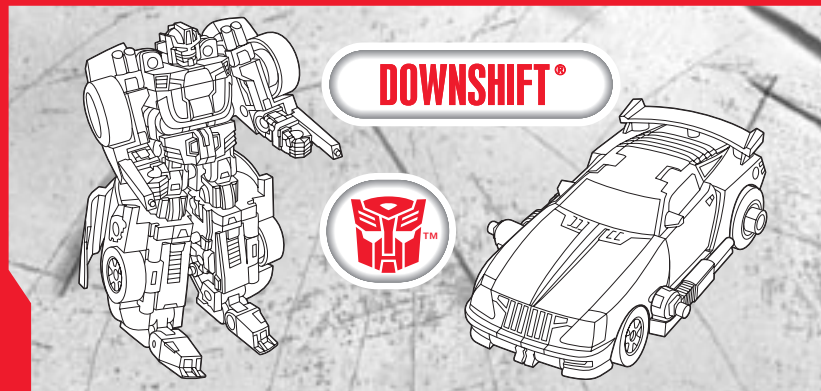


TRANSFORMERS

UNIVERSE

ROBOTS IN DISGUISE

NOTE: Some parts are made to detach if excessive force is applied and are designed to be re-attached if separation occurs. Adult supervision may be necessary for younger children.



WARNING:

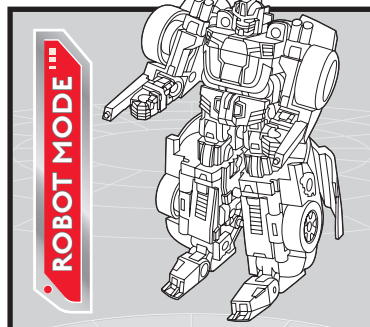
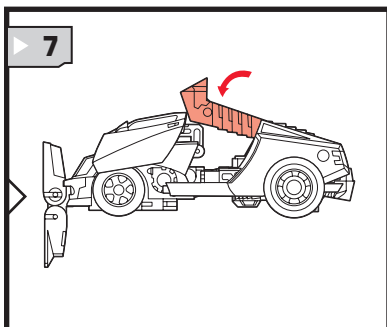
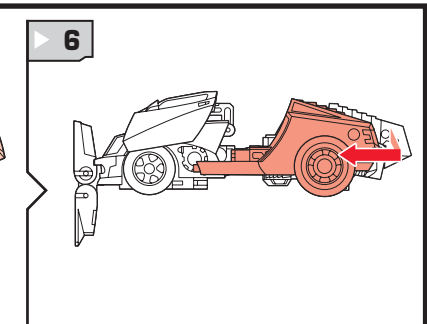
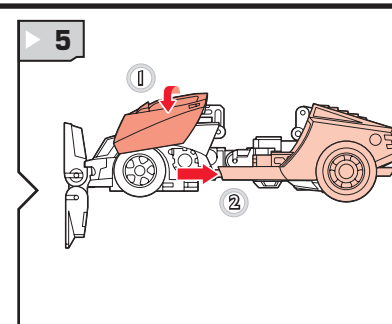
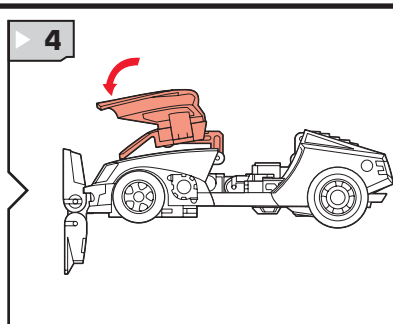
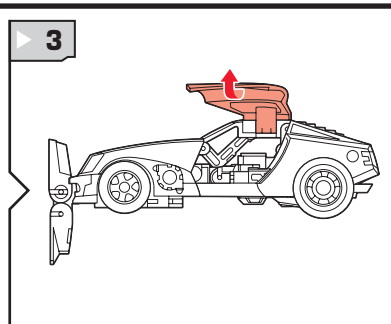
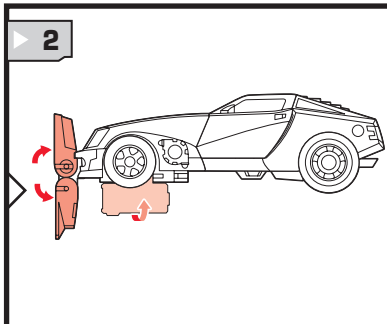
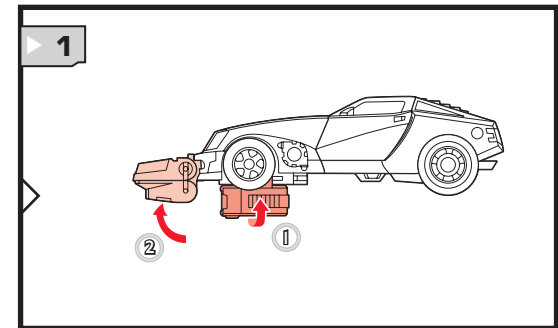
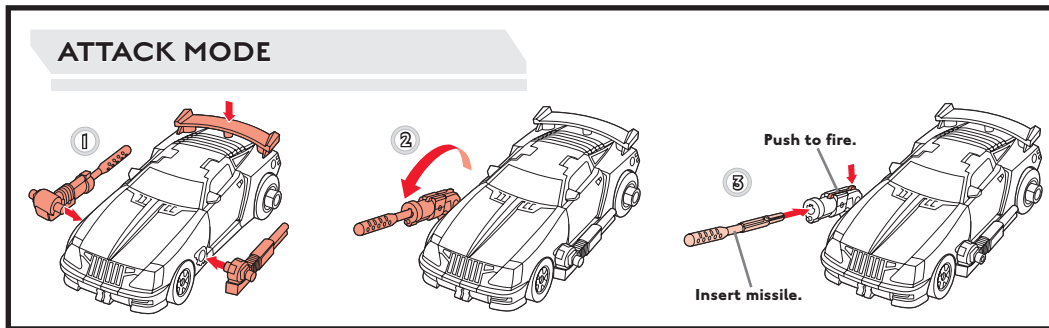
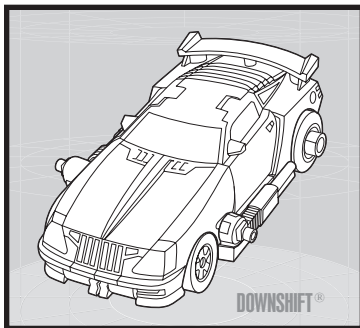
CHOKING HAZARD—Small parts.
Not for children under 3 years.

AGES 5+

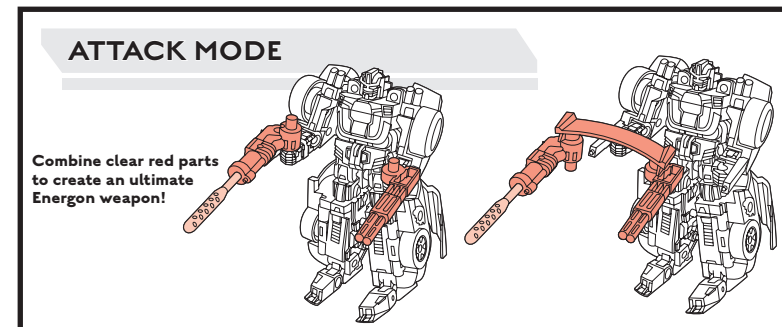
27289/27271 Asst.

TRANSFORMERS.COM

CHANGING TO ROBOT



Reverse order of instructions to convert back into vehicle.



TRANSFORMERS.COM

Some poses may require hand support.
Product and colors may vary.



P/N 6494080000

© 2005 Hasbro. All Rights Reserved.
TM & © denote U.S. Trademarks.
Manufactured under license from Takara Co., Ltd.

Free Manuals Download Website

<http://myh66.com>

<http://usermanuals.us>

<http://www.somanuals.com>

<http://www.4manuals.cc>

<http://www.manual-lib.com>

<http://www.404manual.com>

<http://www.luxmanual.com>

<http://aubethermostatmanual.com>

Golf course search by state

<http://golfingnear.com>

Email search by domain

<http://emailbydomain.com>

Auto manuals search

<http://auto.somanuals.com>

TV manuals search

<http://tv.somanuals.com>