

TRANSFORMERS



AUTOBOT
IRONHIDE

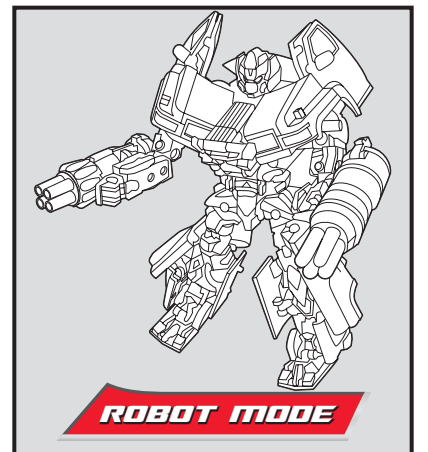
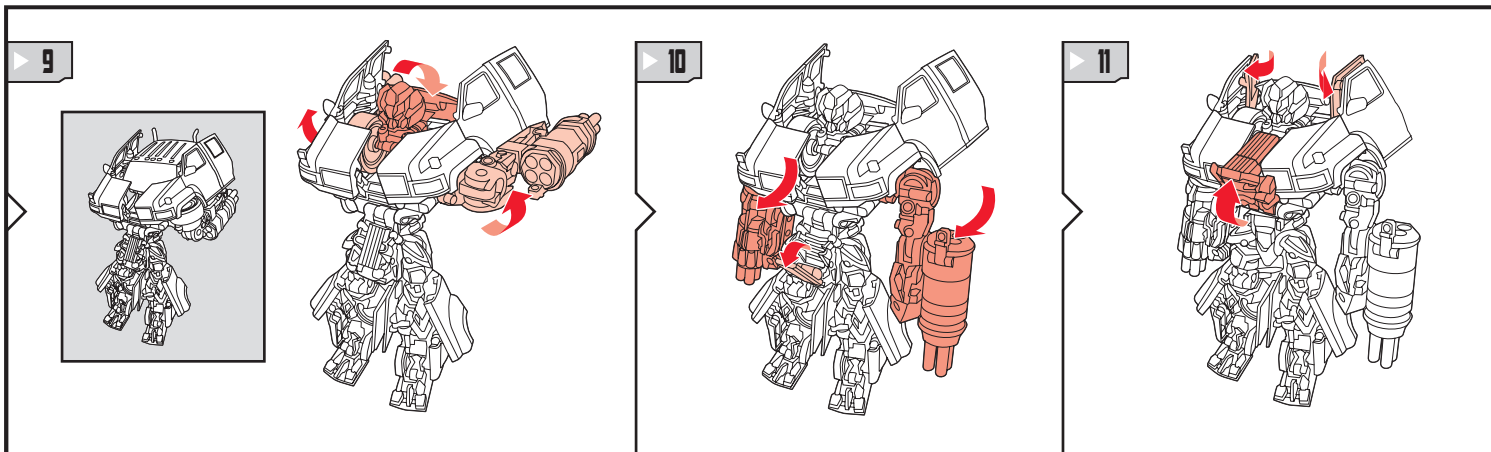
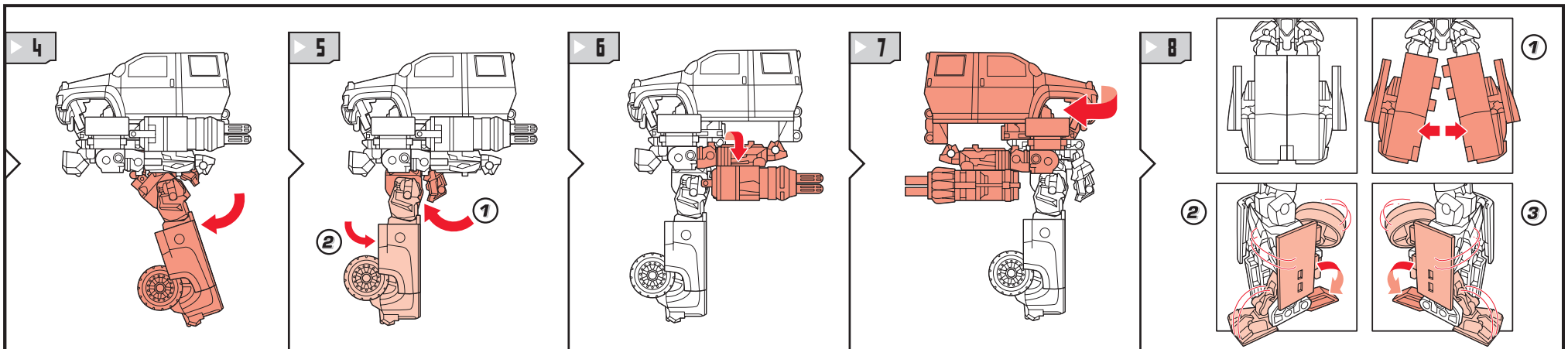
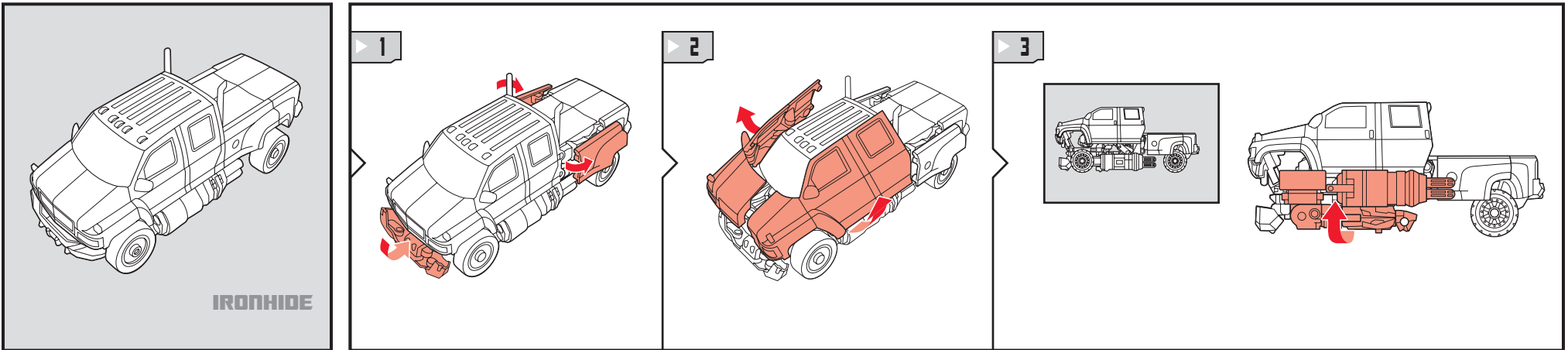
AGES 5+
81120/81060 Asst.



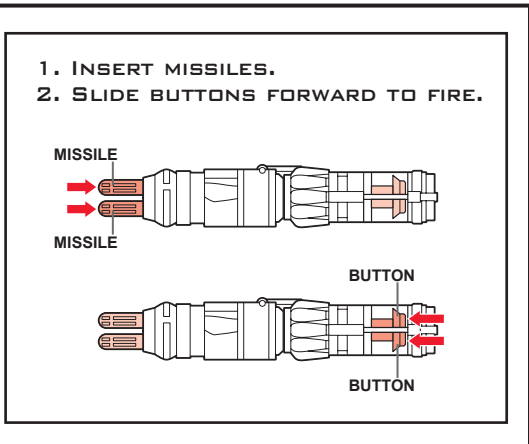
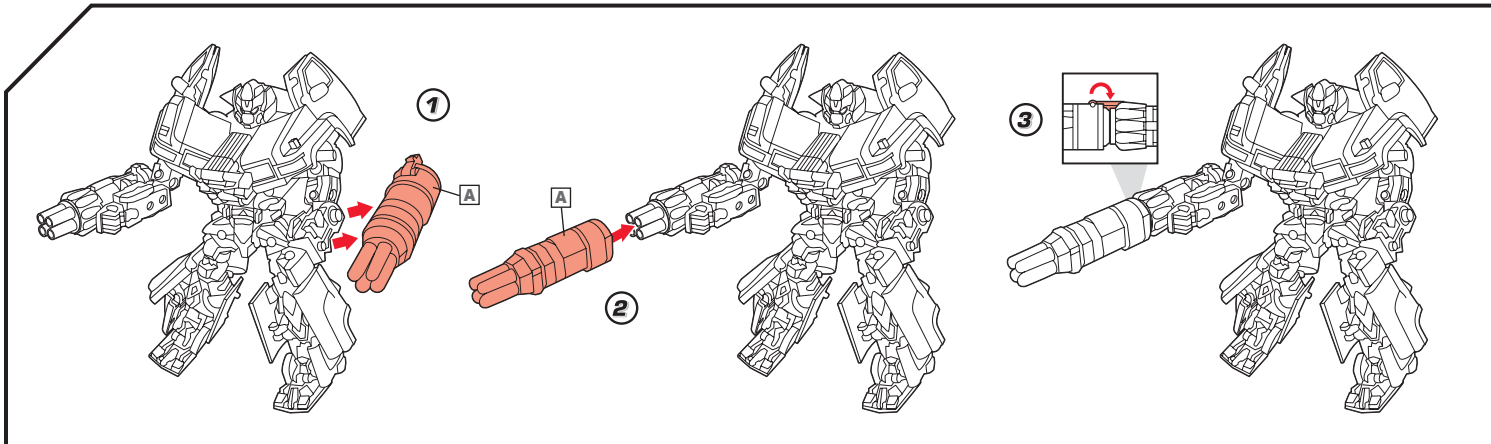
TRANSFORMERS.COM

NOTE: Some parts are made to detach if excessive force is applied and are designed to be reattached if separation occurs. Adult supervision may be necessary for younger children.

CHANGING TO ROBOT



REVERSE ORDER OF INSTRUCTIONS TO CONVERT BACK INTO VEHICLE.



Some poses may require hand support.

Hasbro
© 2006 DreamWorks LLC and Paramount Pictures Corporation
® and/or TM® & © 2006 Hasbro. All Rights Reserved.
TM & © denote U.S. Trademarks.
Manufactured under license from Tomy Company, Ltd.



DREAMWORKS
PICTURES



Not suitable for children under 3 years because of small parts - choking hazard.

P/N 6670140000



Topkick and all related Emblems and vehicle body designs are General Motors Trademarks used under license to Hasbro, Inc.

Free Manuals Download Website

<http://myh66.com>

<http://usermanuals.us>

<http://www.somanuals.com>

<http://www.4manuals.cc>

<http://www.manual-lib.com>

<http://www.404manual.com>

<http://www.luxmanual.com>

<http://aubethermostatmanual.com>

Golf course search by state

<http://golfingnear.com>

Email search by domain

<http://emailbydomain.com>

Auto manuals search

<http://auto.somanuals.com>

TV manuals search

<http://tv.somanuals.com>