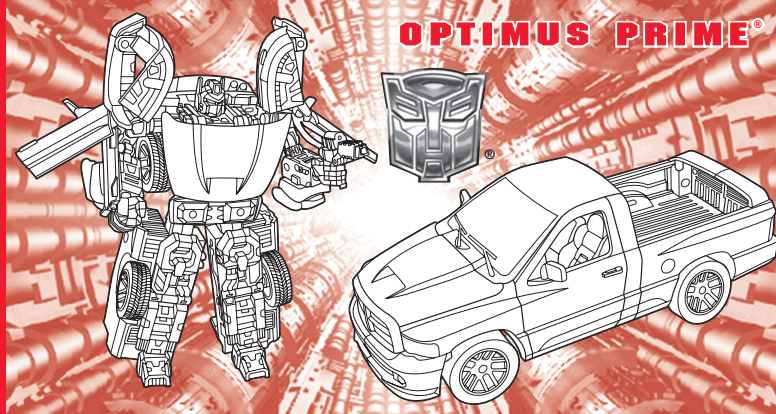


TRANSFORMERS ALTERNATORS

ROBOTS IN DISGUISE®



AGES 5+

81327/81328 Asst.

WARNING:

CHOKING HAZARD-Small parts.
Not for children under 3 years.

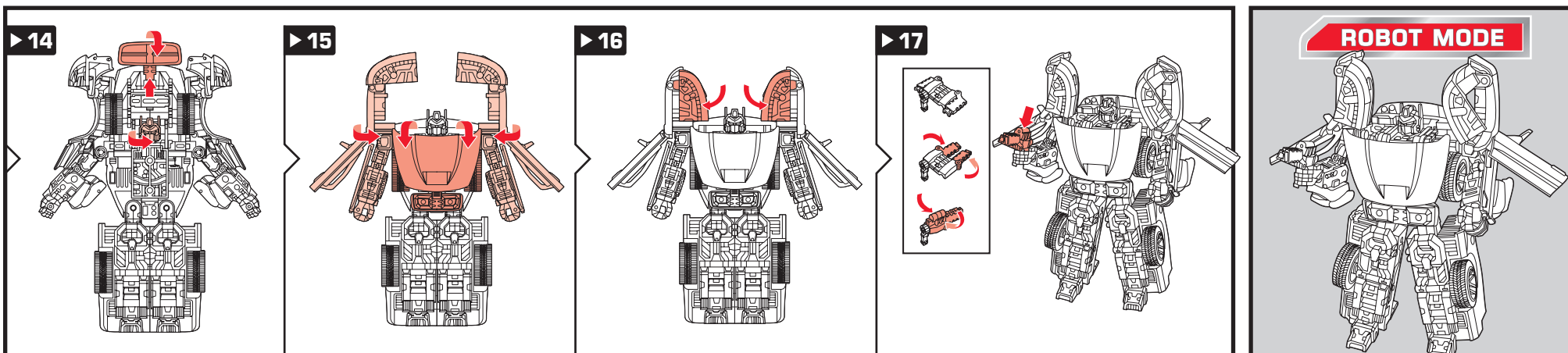
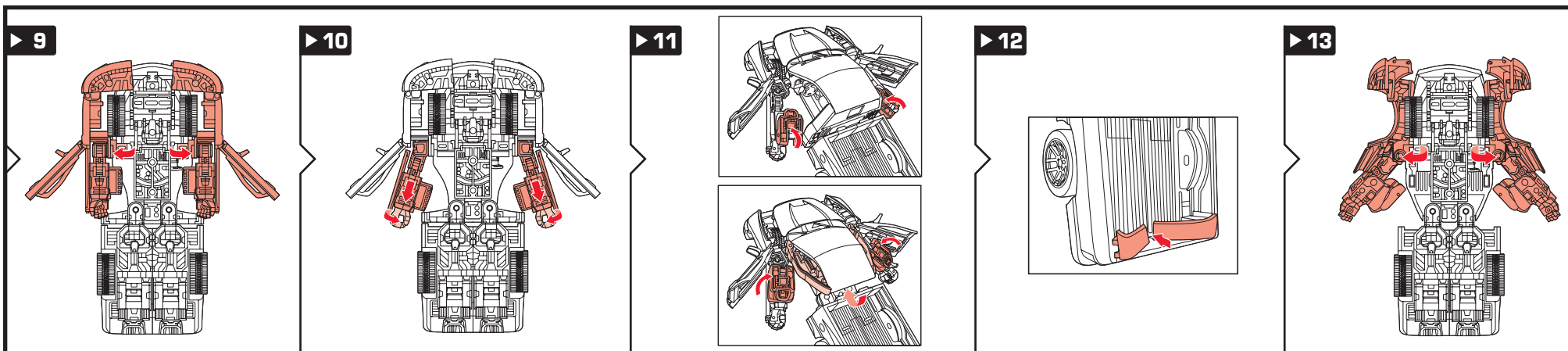
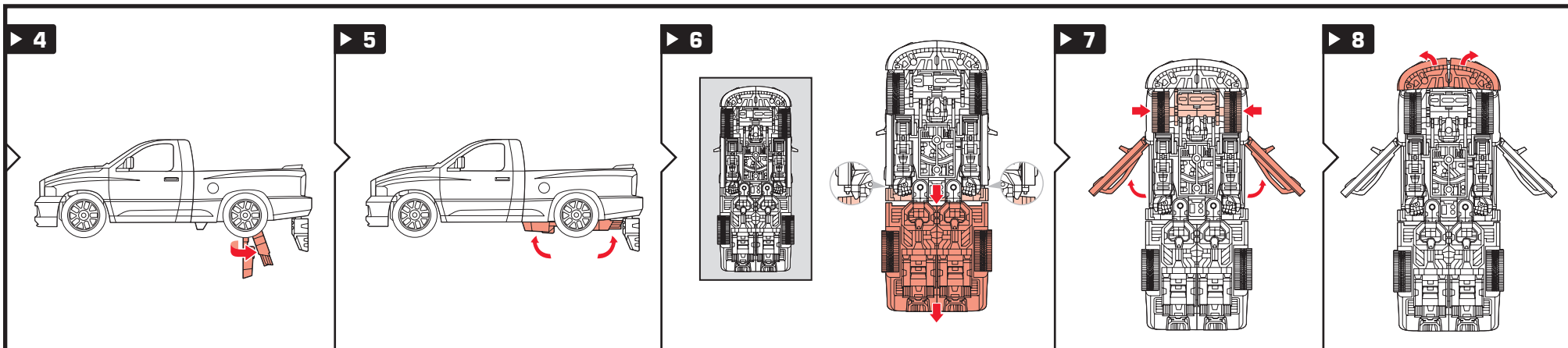
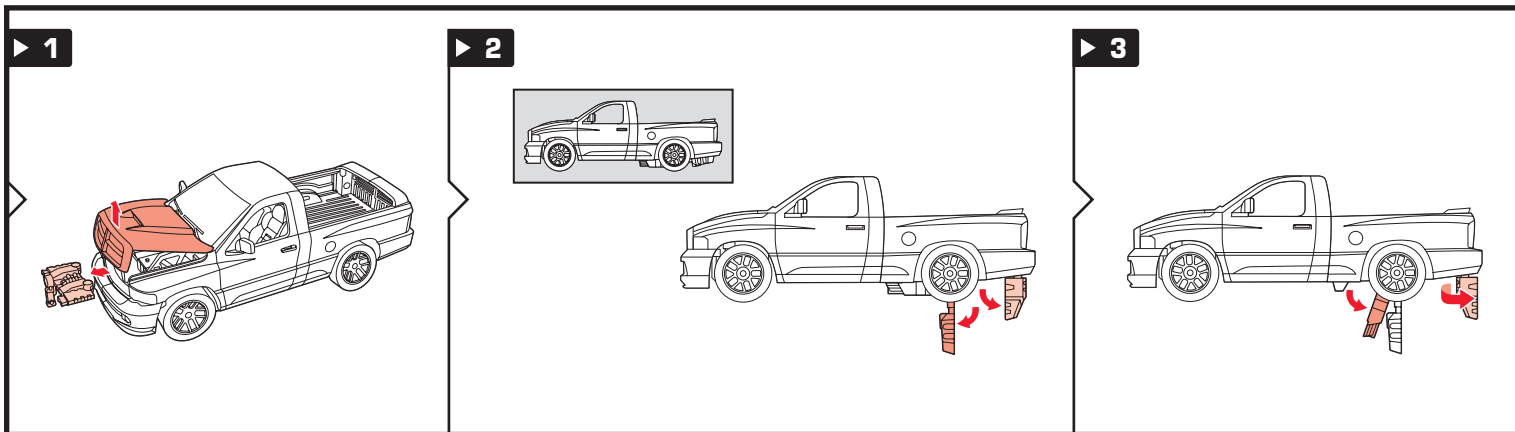
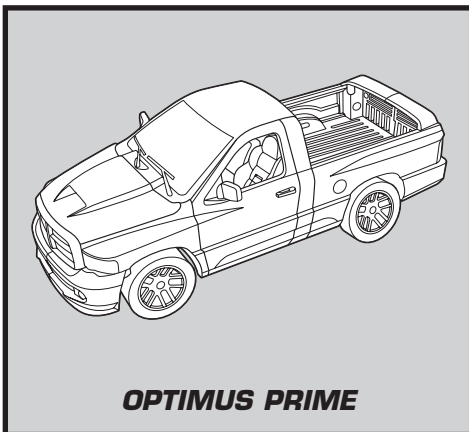
transformers.com

P/N 655220000

INSTRUCTIONS

NOTE: Some parts are made to detach if excessive force is applied and are designed to be reattached if separation occurs. Adult supervision may be necessary for younger children.

CHANGING TO ROBOT



ROBOT MODE

Free Manuals Download Website

<http://myh66.com>

<http://usermanuals.us>

<http://www.somanuals.com>

<http://www.4manuals.cc>

<http://www.manual-lib.com>

<http://www.404manual.com>

<http://www.luxmanual.com>

<http://aubethermostatmanual.com>

Golf course search by state

<http://golfingnear.com>

Email search by domain

<http://emailbydomain.com>

Auto manuals search

<http://auto.somanuals.com>

TV manuals search

<http://tv.somanuals.com>