

# TRANSFORMERS™



**AGES 5+**  
83649/80402 Ass't.



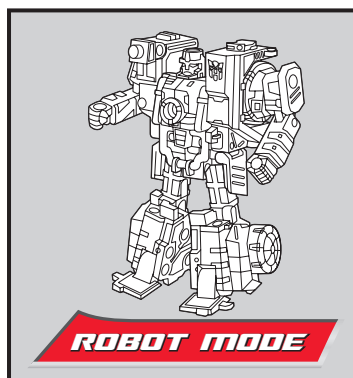
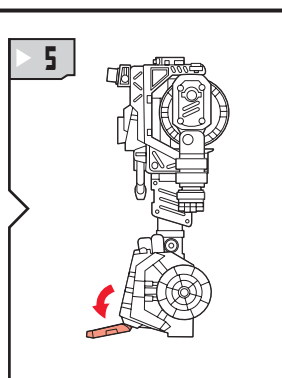
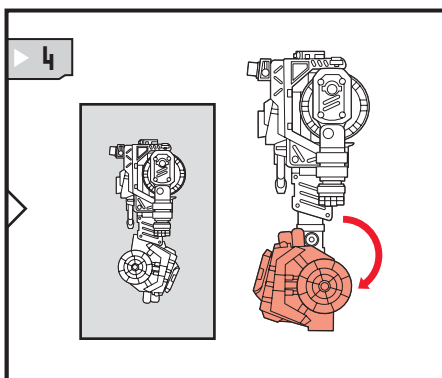
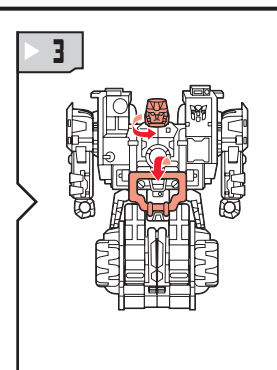
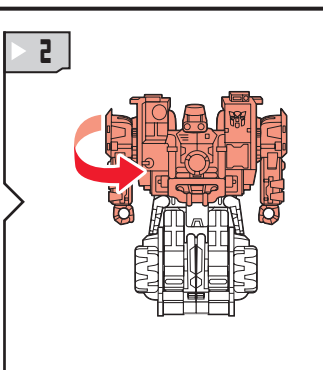
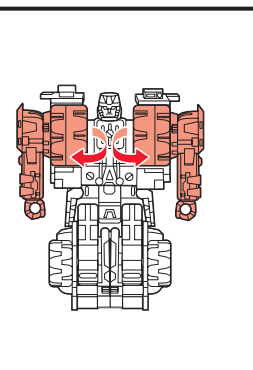
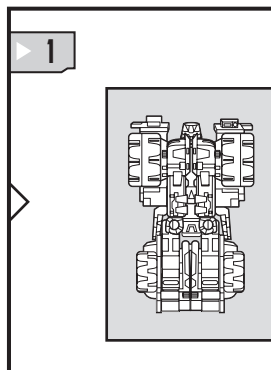
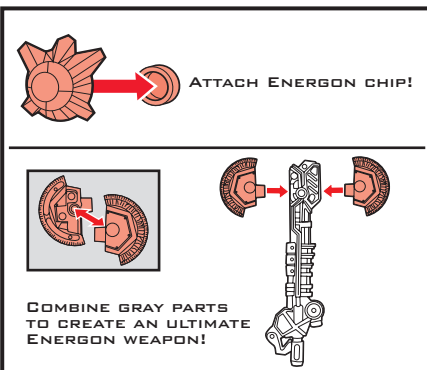
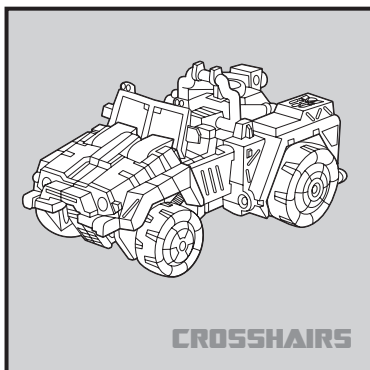
**WARNING:**

CHOKING HAZARD-Small parts.  
Not for children under 3 years.

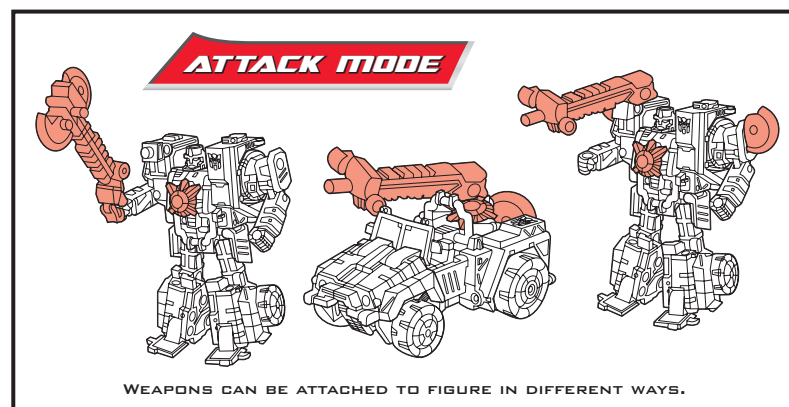
NOTE: Some parts are made to detach if excessive force is applied and are designed to be reattached if separation occurs. Adult supervision may be necessary for younger children.

TRANSFORMERS.COM

## CHANGING TO ROBOT



REVERSE ORDER OF INSTRUCTIONS TO CONVERT BACK INTO VEHICLE.



© 2007 DreamWorks LLC and Paramount Pictures Corporation  
© 2007 Hasbro. All Rights Reserved.  
TM & © denote U.S. Trademarks.  
Manufactured under license from Tomly Company, Ltd.

DREAMWORKS  
PICTURES



Not suitable for children under 3 years because of small parts - choking hazard.

TRANSFORMERS.COM

P/N 6748280000

Some poses may require hand support.

## Free Manuals Download Website

<http://myh66.com>

<http://usermanuals.us>

<http://www.somanuals.com>

<http://www.4manuals.cc>

<http://www.manual-lib.com>

<http://www.404manual.com>

<http://www.luxmanual.com>

<http://aubethermostatmanual.com>

Golf course search by state

<http://golfingnear.com>

Email search by domain

<http://emailbydomain.com>

Auto manuals search

<http://auto.somanuals.com>

TV manuals search

<http://tv.somanuals.com>