

# TRANSFORMERS UNIVERSE



**WARNING:**

CHOKING HAZARD—Small parts.  
Not for children under 3 years.

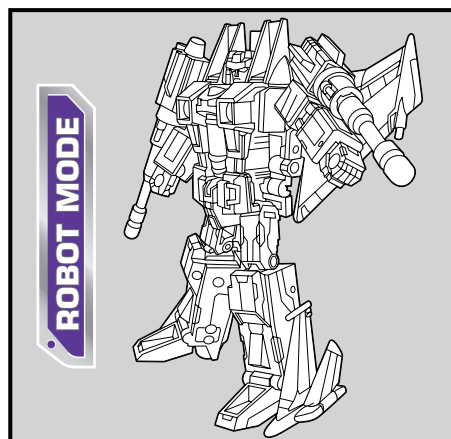
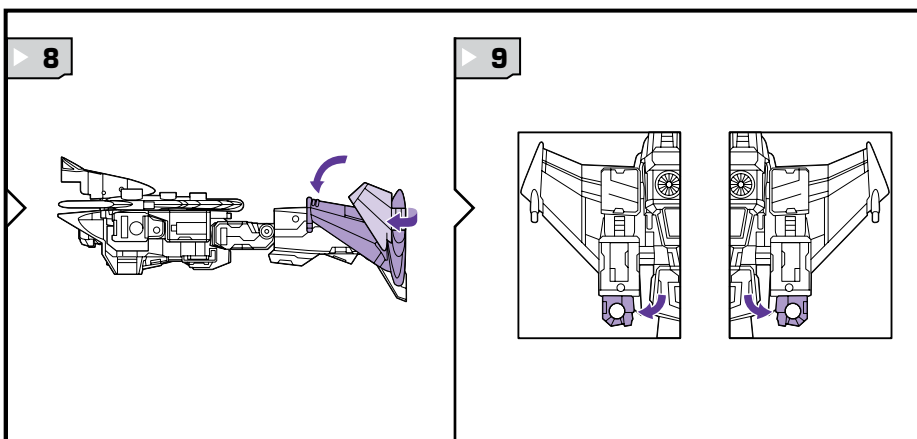
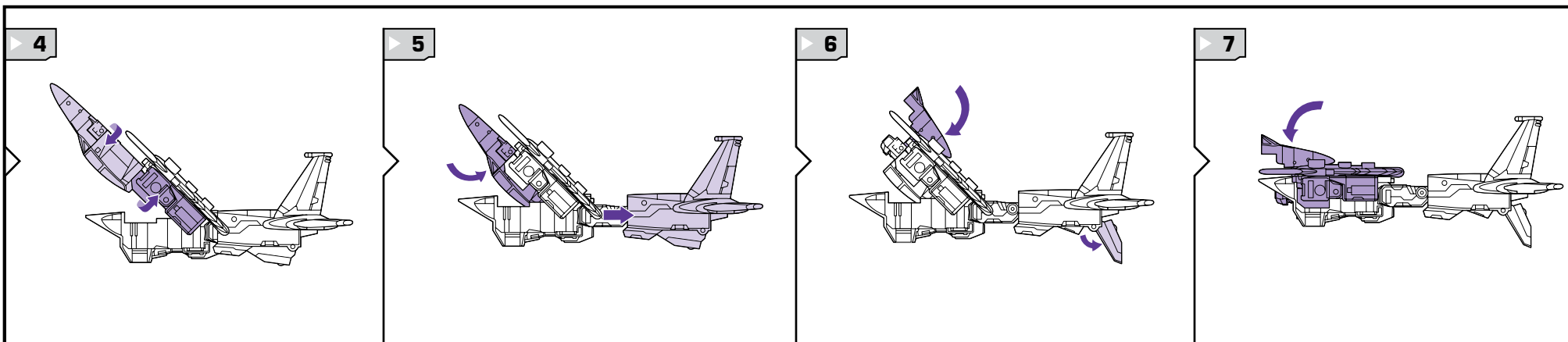
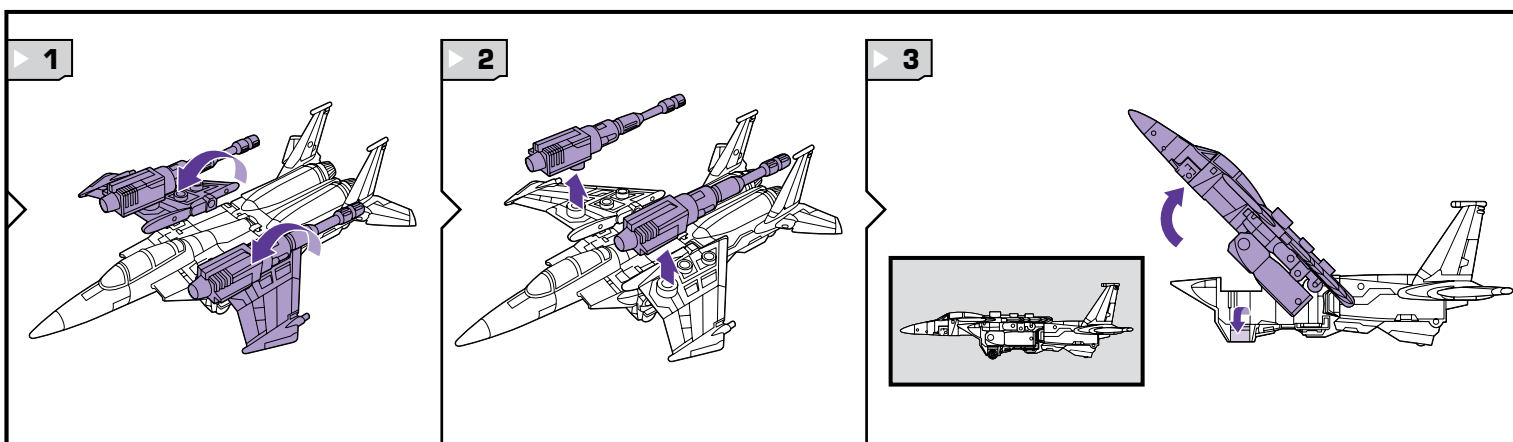
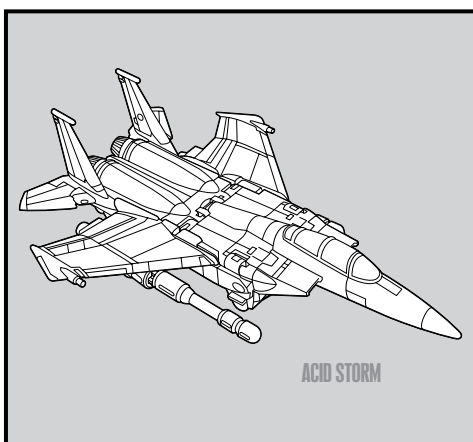
**AGES 5+**

83792/83665 Asst.

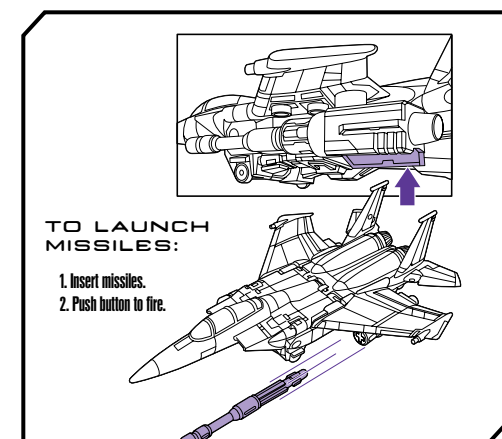
NOTE: Some parts are made to detach if excessive force is applied and are designed to be reattached if separation occurs. Adult supervision may be necessary for younger children.

TRANSFORMERS5.COM

## CHANGING TO ROBOT



Reverse order of instructions  
to convert back into vehicle.



© 2008 Hasbro. All rights reserved.  
TM & © denote U.S. trademarks.  
Manufactured under license from Tomy Company, Ltd.



Not suitable for children  
under 3 years because of  
small parts – choking hazard.

Some poses may require hand support.

P/N 681056000

## Free Manuals Download Website

<http://myh66.com>

<http://usermanuals.us>

<http://www.somanuals.com>

<http://www.4manuals.cc>

<http://www.manual-lib.com>

<http://www.404manual.com>

<http://www.luxmanual.com>

<http://aubethermostatmanual.com>

Golf course search by state

<http://golfingnear.com>

Email search by domain

<http://emailbydomain.com>

Auto manuals search

<http://auto.somanuals.com>

TV manuals search

<http://tv.somanuals.com>