



Hardware Maintenance Manual

Types 2292, 2273, 6043, 6343, 6349,
6350, 6790, 6791, 6792, 6793,
6794, 6795, 6823, 6825



Hardware Maintenance Manual

Types 2292, 2273, 6043, 6343, 6349,
6350, 6790, 6791, 6792, 6793,
6794, 6795, 6823, 6825

Note: Before using this information and the product it supports, be sure to read the general information under “Notices” on page 221.

Second Edition (September 2004)

© Copyright International Business Machines Corporation 2004. All rights reserved.

US Government Users Restricted Rights – Use, duplication or disclosure restricted by GSA ADP Schedule Contract with IBM Corp.

Contents

Chapter 1. About this manual 1

Important Safety Information 1

Chapter 2. General checkout 3

Chapter 3. General information 5

Identifying your computer 5

 Small desktop model computer 6

 Desktop model computer 6

 Microtower model computer 6

Features 7

Specifications 9

 Physical specifications — small desktop model 9

 Physical specifications — desktop model 10

 Physical specifications — microtower model 11

Available options 12

Chapter 4. Diagnostics 13

Setup Utility program 14

Product Recovery Program menu 15

Diagnostics 16

 Diagnostics program download 16

 Navigating through the diagnostics programs 16

 Running diagnostics tests 16

 Test selection 16

 Test results 17

 Fixed disk advanced test (FDAT) 17

 Quick and Full erase - hard drive 19

 Viewing the test log 20

Chapter 5. External connectors 21

Locating the connectors on the front of your computer 21

 Small desktop models 21

 Desktop models 21

 Microtower models 22

Locating the connectors on the rear of your computer 23

 Small desktop 23

 Desktop 24

 Microtower 25

 Connector descriptions 25

Chapter 6. Replacing FRUs 27

small desktop models 27

 Locating components 27

 Identifying parts on the system board 28

 Removing the cover 28

 Replacing the microprocessor 29

 Replacing the power supply 30

 Replacing the system board 30

 Replacing the speaker 32

Desktop models 32

 Locating components 33

 Identifying parts on the system board 33

 Removing the cover 34

 Replacing the microprocessor 35

 Replacing the power supply 35

 Replacing the system board 36

 Replacing the fan 37

Microtower models 37

 Locating components 38

 Identifying parts on the system board 39

 Removing the cover 39

 Replacing the fan 40

 Removing the front bezel 41

 Moving the power supply 41

 Replacing the microprocessor 42

 Replacing the power supply 43

 Replacing the system board 44

 Replacing the hard disk drive 44

 Completing the FRU replacement 45

Chapter 7. Symptom-to-FRU index 47

Hard disk drive boot error 47

Power Supply Errors 47

Diagnostic error codes 49

Beep symptoms 67

No-beep symptoms 69

POST error codes 70

Miscellaneous error messages 85

Undetermined problems 87

Chapter 8. FRU listing 89

Small Desktop Model 89

Desktop Model 112

Microtower Model 142

Chapter 9. Additional service information 179

Security features 179

 Passwords 179

 Vital product data 180

 Management Information Format (MIF) 180

 Alert on LAN 181

BIOS levels 181

Flash update procedures 181

 Flash from Operating System (WinPhlash) 182

 Flash from CD-ROM ISO image 182

Flash recovery boot block jumper 183

Power management 185

 Automatic configuration and power interface

 (ACPI) BIOS 185

 Advanced Power Management 185

 Automatic Hardware Power Management

 features 185

 Setting Automatic Hardware Power

 Management features 185

 Automatic Power-On features 186

Chapter 10. Related service information 187

Safety information. 187

 General safety 187

 Electrical safety. 188

 Safety inspection guide 189

 Handling electrostatic discharge-sensitive devices 190

 Grounding requirements 191

 Safety notices (multi-lingual translations) . . . 191

Send us your comments! 220

Problem determination tips. 221

Notices 221

Trademarks 222

Chapter 1. About this manual

This manual contains service and reference information for IBM[®] computers .

This manual is divided into product service sections and a related service section, as follows:

- The product service sections include procedures for isolating problems to a FRU, a Symptom-to-FRU Index, additional service information and an illustrated parts catalog.
- The related service section includes safety notices and safety information, and problem determination tips.

Note:

This manual is intended for trained servicers who are familiar with IBM Personal Computer products. Use this manual along with advanced diagnostic tests to troubleshoot problems effectively.

Before servicing an IBM product, be sure to review the "Safety information" on page 187.

Important Safety Information

Be sure to read all caution and danger statements in this book before performing any of the instructions.

Prenez connaissance de toutes les consignes de type Attention et Danger avant de procéder aux opérations décrites par les instructions.

Lesen Sie alle Sicherheitshinweise, bevor Sie eine Anweisung ausführen.

주의 및 위험 경고문(한글)

중요:

이 책에 나오는 모든 주의 및 위험 경고문은 번호로 시작됩니다. 이 번호는 *Safety Information* 책에 나오는 영문판 주의 및 위험 경고문과 한글판 주의 및 위험 경고문을 상호 참조하는데 사용됩니다.

예를 들어 주의 경고문이 번호 1로 시작되면 *Safety Information* 책에서 이 주의 경고문은 경고문 1번 아래에 나옵니다.

지시를 따라 수행하기 전에 먼저 모든 주의 및 위험 경고문을 읽도록 하십시오.

Accertarsi di leggere tutti gli avvisi di attenzione e di pericolo prima di effettuare qualsiasi operazione.

Leia todas as instruções de cuidado e perigo antes de executar qualquer operação.

Lea atentamente todas las declaraciones de precaución y peligro ante de llevar a cabo cualquier operación.

注意和危险声明 (简体中文)

重要事项:

本书中的所有注意和危险声明之前都有编号。该编号用于英语的注意或危险声明与 *Safety Information* 一书中可以找到的翻译版本的注意或危险声明进行交叉引用。

例如，如果一个注意声明以编号 1 开始，那么对该注意声明的翻译出现在 *Safety Information* 一书中的声明 1 中。

在按说明执行任何操作前，请务必阅读所有注意和危险声明。

注意及危险声明 (中文)

重要資訊：

本書中所有「注意」及「危險」的聲明均以數字開始。此一數字是用來作為交互參考之用，英文「注意」或「危險」聲明可在「安全資訊」(Safety Information) 一書中找到相同內容的「注意」或「危險」聲明的譯文。

例如，有一「危險」聲明以數字 1 開始，則該「危險」聲明的譯文將出現在「安全資訊」(Safety Information) 一書的「聲明」1 中。

執行任何指示之前，請詳讀所有「注意」及「危險」的聲明。

Chapter 2. General checkout

Use this general checkout procedure is for computers supported by this Hardware Maintenance Manual.

Attention:

The drives in the computer you are servicing might have been rearranged or the drive startup sequence changed. Be extremely careful during write operations such as copying, saving or formatting. Data or programs can be overwritten if you select an incorrect drive.

Diagnostic error messages appear when a test program finds a problem with a hardware option. For the test programs to properly determine if a test *Passed*, *Failed* or *Aborted*, the test programs check the error-return code at test completion. See "Diagnostics" on page 16.

General error messages appear if a problem or conflict is found by an application program, the operating system, or both. For an explanation of these messages, refer to the information supplied with that software package.

Notes:

- The default boot for this computer is to start up quiet (no beep and no memory count and checkpoint code display) when no errors are detected by POST.
- To enable beep and memory count and checkpoint code display when a successful POST occurs, do the following:
 1. Select **Start Options** in the Configuration/Setup Utility program (see "Setup Utility program" on page 14).
 2. Set **Power-On Self-Test** to **Enhanced**.
- Before replacing any FRUs, ensure that the latest level of BIOS is installed on the system. A down-level BIOS might cause false errors and unnecessary replacement of the system board. For more information on how to determine and obtain the latest level BIOS, see "BIOS levels" on page 181.
- If multiple error codes are displayed, diagnose the first error code displayed.
- If the computer hangs with a POST error, go to Chapter 7, "Symptom-to-FRU index," on page 47.
- If the computer hangs and no error is displayed, go to "Undetermined problems" on page 87.
- If an installed device is not recognized by the diagnostics program, that device might be defective.

001

1. Power-off the computer and all external devices.
2. Check all cables and power cords.
3. Make sure the system board is seated properly.
4. Set all display controls to the middle position.
5. Power-on all external devices.
6. Power-on the computer.
7. Check for the following response:
 - Readable instructions or the Main Menu.

DID YOU RECEIVE THE CORRECT RESPONSE?

If NO, continue to **002** .

If YES, proceed to **003** .

002

If the Power Management feature is enabled, do the following:

1. Start the Configuration/Setup Utility program. See "Setup Utility program" on page 14.
2. Select **Power Management** from the Configuration/Setup Utility program menu.
3. Select **APM**.
4. Be sure **APM BIOS Mode** is set to **Disabled**. If it is not, press Left Arrow (←) or Right Arrow (→) to change the setting.
5. Select **Automatic Hardware Power Management**.
6. Set **Automatic Hardware Power Management** to **Disabled**.
7. If the problem persists, continue to **003** .

003

Run the Diagnostic programs. If necessary, refer to "Diagnostics" on page 16.

- If you receive an error, replace the part that the diagnostic program calls out or go to "Symptom-to-FRU Index" on page Chapter 7, "Symptom-to-FRU index," on page 47.
- If the test stops and you cannot continue, replace the last device tested.

Chapter 3. General information

This IBM[®] computer incorporates many of the latest advances in computer technology and can be upgraded as your needs change.

Adding hardware options to your computer is an easy way to increase its capabilities. Instructions for installing external and internal options are included in this publication. When adding an option, use these instructions along with the instructions that come with the option.

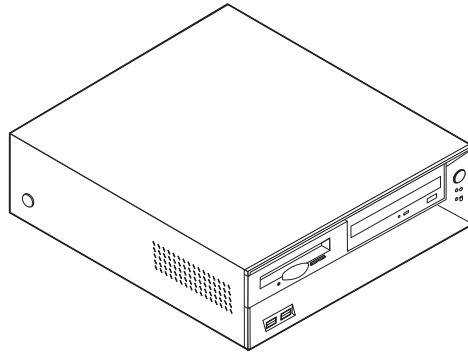
Go to Access IBM for general information about the use, operation, and maintenance of your computer. Access IBM also contains information to help solve problems and get repair service or other technical assistance.

Identifying your computer

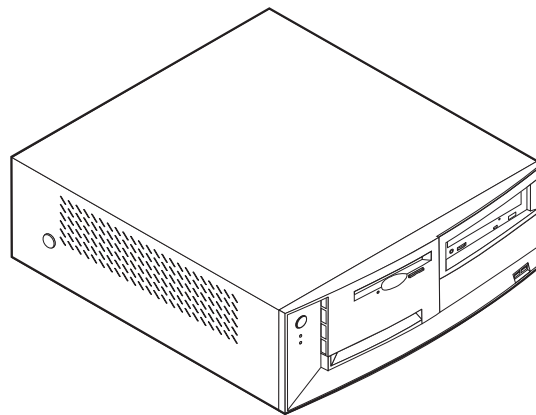
To properly install options, you will need to know the machine type/model of your computer. You can find this number on the small label on the front of your computer. An example of the machine type/model number is 6790xxx.

The information in this publication supports several computer types and models. The following illustrations will help you identify your computer.

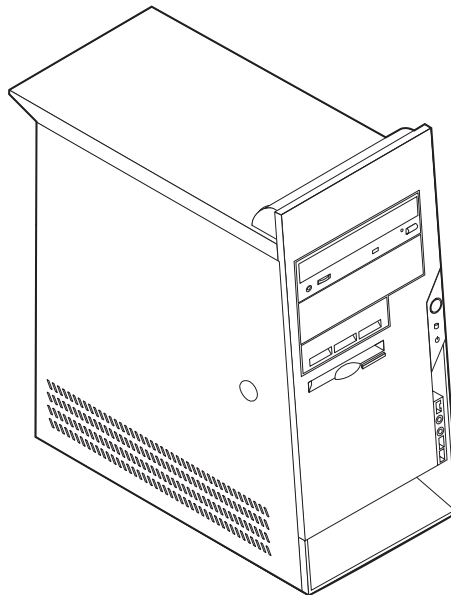
Small desktop model computer



Desktop model computer



Microtower model computer



Features

This section provides an overview of the computer features, preinstalled software, and specifications.

Microprocessor

Intel® Pentium™ 4 with 256 KB of internal L2 cache memory and Intel NetBurst™ micro-architecture

Memory

- Support for three dual in-line memory modules (DIMMs) (some models)
- 512 KB flash memory for system programs

Internal drives

- 3.5-inch, 1.44 MB diskette drive
- Internal hard disk drive
- EIDE CD drive or DVD drive

Video subsystem

AGP video adapter slot on the system board

Audio subsystem

16-bit integrated Sound Blaster Pro compatible audio subsystem

Connectivity

- 10/100 Mbps integrated Intel ethernet controller that supports the Wake on LAN® feature
- 56k V.90 data/fax PCI modem (some models)

System management features

- Remote Program Load (RPL) and Dynamic Host Configuration Protocol (DHCP)
- Wake on LAN
- Wake on Ring (in the IBM Setup Utility program, this feature is called Serial Port Ring Detect for an external modem and Modem Ring Detect for an internal modem)
- Remote Administration
- Automatic power-on startup
- System Management (SM) BIOS and SM software
- Ability to store POST hardware test results

Input/output features

- 25-pin, Extended Capabilities Port (ECP)/Extended Parallel Port (EPP)
- Two 9-pin serial connectors
- Four 4-pin, USB connectors
- PS/2® mouse connector
- PS/2 keyboard connector
- RJ-45 Ethernet connector
- Monitor connector
- Three audio connectors (line in, line out, and microphone)
- IEEE 1394 connector (some models)

- Front connectors for microphone and headphone (some models)

Expansion

- Drive bays
 - Small desktop model: Three
 - Desktop model: Four
 - Microtower model: Five
- 32-bit peripheral component interconnect (PCI) adapter slots
 - Small desktop model: Three (supports low profile adapters only)
 - Desktop model: Three
 - Microtower model: Three
- One accelerated graphics port (AGP) expansion slot (small desktop model supports low profile adapters)

Power

- 160 W or 185 W power supply with manual voltage selection switch
- Automatic 50/60 Hz input frequency switching
- Advanced Power Management support
- Advanced Configuration and Power Interface (ACPI) support

Security features

- User and administrator passwords
- Support for the addition of a Rope Clip and lockable cable (varies by mechanical chassis)
- Startup sequence control
- Startup without diskette drive, keyboard, or mouse
- Unattended start mode
- Diskette and hard disk I/O control
- Serial and parallel port I/O control
- Security profile by device

IBM preinstalled software

Your computer might come with preinstalled software. If it does, an operating system, device drivers to support built-in features, and other support programs are included.

Operating systems (supported)

- Microsoft[®] Windows XP
- Microsoft Windows 2000
- Microsoft Windows NT[®] Workstation Version 4.0
- Microsoft Windows 98 Second Edition
- OS/2[®]

Operating systems (tested for compatibility)¹

- Linux

1. The operating systems listed here are being tested for compatibility at the time this publication goes to press. Additional operating systems might be identified by IBM as compatible with your computer following the publication of this booklet. Corrections and additions to this list are subject to change. To determine if an operating system has been tested for compatibility, check the Web site of the operating system vendor.

- PC DOS

Specifications

This section lists the physical specifications for your computer.

Physical specifications — small desktop model

<p>Dimensions</p> <p>Height: 104 mm (4.1 in.) Width: 360 mm (14.2 in.) Depth: 412 mm (16.2 in.)</p> <p>Weight</p> <p>Minimum configuration as shipped: 8.1 kg (18 lb) Maximum configuration: 9.1 kg (20 lb)</p> <p>Environment</p> <p>Air temperature:</p> <p>System on: 10° to 35° C (50° to 95° F) System off: 10° to 43° C (50° to 110° F) Maximum altitude: 2134 m (7000 ft) Note: The maximum altitude, 2134 m (7000 ft), is the maximum altitude at which the specified air temperatures apply. At higher altitudes, the maximum air temperatures are lower than those specified.</p> <p>Humidity:</p> <p>System on: 8% to 80% System off: 8% to 80%</p> <p>Electrical input</p> <p>Input voltage:</p> <p>Low range:</p> <p>Minimum: 90 V ac Maximum: 137 V ac Input frequency range: 57–63 Hz Voltage switch setting: 115 V ac</p> <p>High range:</p> <p>Minimum: 180 V ac Maximum: 265 V ac Input frequency range: 47–53 Hz Voltage switch setting: 230 V ac</p> <p>Input kilovolt-amperes (kVA) (approximate):</p> <p>Minimum configuration as shipped: 0.08 kVA Maximum configuration: 0.30 kVA</p> <p>Note: Power consumption and heat output vary depending on the number and type of optional features installed and the power-management optional features in use.</p>	<p>Heat output (approximate) in British thermal units (Btu) per hour:</p> <p>Minimum configuration: 257 Btu/hr (75 watts) Maximum configuration: 686 Btu/hr (200 watts)</p> <p>Airflow</p> <p>Approximately 0.45 cubic meters every three minutes (16 cubic feet every three minutes) maximum</p> <p>Acoustical noise-emission values</p> <p>Average sound-pressure levels:</p> <p>At operator position:</p> <p>Idle: 38 dBA Operating: 43 dBA</p> <p>At bystander position - 1 meter (3.3 ft):</p> <p>Idle: 33 dBA Operating: 37 dBA</p> <p>Declared (upper limit) sound-power levels:</p> <p>Idle: 3.75 bels Operating: 4.99 bels</p> <p>Note: These levels were measured in controlled acoustical environments according to the procedures specified by the American National Standards Institute (ANSI) S12.10 and ISO 7779 and are reported in accordance with ISO 9296. Actual sound-pressure levels in a given location might exceed the average values stated because of room reflections and other nearby noise sources. The declared sound-power levels indicate an upper limit, below which a large number of computers will operate. Note: The computer is classified as a Class A or Class B digital device. See the <i>Quick Reference</i> for further information about this classification.</p>
--	---

Physical specifications — desktop model

<p>Dimensions</p> <p>Height: 140 mm (5.5 in.) Width: 425 mm (16.7 in.) Depth: 425 mm (16.7 in.)</p> <p>Weight</p> <p>Minimum configuration as shipped: 10.0 kg (22 lb) Maximum configuration: 11.4 kg (25.0 lb)</p> <p>Environment</p> <p>Air temperature:</p> <p>System on: 10° to 35° C (50° to 95° F) System off: 10° to 43° C (50° to 110° F) Maximum altitude: 2134 m (7000 ft) Note: The maximum altitude, 2134 m (7000 ft), is the maximum altitude at which the specified air temperatures apply. At higher altitudes, the maximum air temperatures are lower than those specified.</p> <p>Humidity:</p> <p>System on: 8% to 80% System off: 8% to 80%</p> <p>Electrical input</p> <p>Input voltage:</p> <p>Low range:</p> <p>Minimum: 90 V ac Maximum: 137 V ac Input frequency range: 57–63 Hz Voltage switch setting: 115 V ac</p> <p>High range:</p> <p>Minimum: 180 V ac Maximum: 265 V ac Input frequency range: 47–53 Hz Voltage switch setting: 230 V ac</p> <p>Input kilovolt-amperes (kVA) (approximate):</p> <p>Minimum configuration as shipped: 0.08 kVA Maximum configuration: 0.3 kVA</p> <p>Note: Power consumption and heat output vary depending on the number and type of optional features installed and the power-management optional features in use.</p>	<p>Heat output (approximate) in British thermal units (Btu) per hour:</p> <p>Minimum configuration: 257 Btu/hr (75 watts) Maximum configuration: 789 Btu/hr (230 watts)</p> <p>Airflow</p> <p>Approximately 0.68 cubic meters every three minutes (24 cubic feet every three minutes) maximum</p> <p>Acoustical noise-emission values</p> <p>Average sound-pressure levels:</p> <p>At operator position:</p> <p>Idle: 38 dBA Operating: 43 dBA</p> <p>At bystander position - 1 meter (3.3 ft):</p> <p>Idle: 33 dBA Operating: 37 dBA</p> <p>Declared (upper limit) sound-power levels:</p> <p>Idle: 4.8 bels Operating: 5.1 bels</p> <p>Note: These levels were measured in controlled acoustical environments according to the procedures specified by the American National Standards Institute (ANSI) S12.10 and ISO 7779 and are reported in accordance with ISO 9296. Actual sound-pressure levels in a given location might exceed the average values stated because of room reflections and other nearby noise sources. The declared sound-power levels indicate an upper limit, below which a large number of computers will operate. Note: The computer is classified as a Class A or Class B digital device. See the <i>Quick Reference</i> for further information about this classification.</p>
---	---

Physical specifications — microtower model

<p>Dimensions</p> <p>Height: 444.5 mm (17.5 in.) Width: 165.1 mm (6.5 in.) Depth: 497.8 mm (19.6 in.)</p> <p>Weight</p> <p>Minimum configuration as shipped: 9.1 kg (20 lb) Maximum configuration: 10.2 kg (22.5 lb)</p> <p>Environment</p> <p>Air temperature: System on: 10° to 35° C (50° to 95° F) System off: 10° to 43° C (50° to 110° F) Maximum altitude: 2134 m (7000 ft) Note: The maximum altitude, 2134 m (7000 ft), is the maximum altitude at which the specified air temperatures apply. At higher altitudes, the maximum air temperatures are lower than those specified.</p> <p>Humidity: System on: 8% to 80% System off: 8% to 80%</p> <p>Electrical input</p> <p>Input voltage: Low range: Minimum: 90 V ac Maximum: 137 V ac Input frequency range: 57–63 Hz Voltage switch setting: 115 V ac High range: Minimum: 180 V ac Maximum: 265 V ac Input frequency range: 47–53 Hz Voltage switch setting: 230 V ac</p> <p>Input kilovolt-amperes (kVA) (approximate): Minimum configuration as shipped: 0.08 kVA Maximum configuration: 0.3 kVA</p> <p>Note: Power consumption and heat output vary depending on the number and type of optional features installed and the power-management optional features in use.</p>	<p>Heat output (approximate) in British thermal units (Btu) per hour: Minimum configuration: 257 Btu/hr (75 watts) Maximum configuration: 789 Btu/hr (230 watts)</p> <p>Airflow</p> <p>Approximately 0.79 cubic meters every three minutes (28 cubic feet every three minutes) maximum</p> <p>Acoustical noise-emission values</p> <p>Average sound-pressure levels: At operator position: Idle: 38 dBA Operating: 43 dBA At bystander position - 1 meter (3.3 ft): Idle: 33 dBA Operating: 37 dBA</p> <p>Declared (upper limit) sound-power levels: Idle: 4.8 bels Operating: 5.1 bels</p> <p>Note: These levels were measured in controlled acoustical environments according to the procedures specified by the American National Standards Institute (ANSI) S12.10 and ISO 7779 and are reported in accordance with ISO 9296. Actual sound-pressure levels in a given location might exceed the average values stated because of room reflections and other nearby noise sources. The declared sound-power levels indicate an upper limit, below which a large number of computers will operate. Note: The computer is classified as a Class A or Class B digital device. See the <i>Quick Reference</i> for further information about this classification.</p>
--	---

Available options

The following are some available options:

- External options
 - Parallel port devices, such as printers and external drives
 - Serial port devices, such as external modems and digital cameras
 - Audio devices, such as external speakers for the sound system
 - USB devices, such as printers, joysticks, and scanners
 - Security device, such as a Rope Clip
 - Monitors
 - IEEE 1394 devices (requires an IEEE 1394 adapter)
 - SCSI devices (requires a SCSI adapter)
- Internal options
 - System memory, called dual in-line memory modules (DIMMs)
 - Adapters
 - Peripheral component interconnect (PCI) adapters
 - Accelerated graphics port (AGP) adapters
 - Small desktop models support low profile adapters only
 - Internal drives, such as:
 - CD drive or DVD drive
 - CD drive and DVD drive
 - Hard disk
 - Diskette drives and other removable media drives

For the latest information about available options, see the following World Wide Web pages:

- <http://www.ibm.com/pc/us/options/>
- <http://www.pc.ibm.com/support/>

You can also obtain information by calling the following telephone numbers:

- Within the United States, call 1-800-IBM-2YOU (1-800-426-2968), your IBM reseller, or IBM marketing representative.
- Within Canada, call 1-800-565-3344 or 1-800-IBM-4YOU.
- Outside the United States and Canada, contact your IBM reseller or IBM marketing representative.

Chapter 4. Diagnostics

The following tools are available to help identify and resolve hardware-related problems.

- Setup Utility program
- Power-On Self-Test (POST)
 - POST Beep Codes
 - Error Code Format
- Diagnostics program
- Recovery utility
 - Factory Contents
 - Partial recovery
- Repair utility

Setup Utility program

Attention:

A customized setup configuration (other than default settings) might exist on the computer you are servicing. Running the Setup Utility program might alter those settings. Note the current configuration settings and verify that the settings are in place when service is complete.

The Setup Utility (configuration) program is stored in the permanent memory of the computer. This program includes settings for the following:

- System Summary
- Product Data
- Devices and I/O Ports
- Start Options
- Date and Time
- System Security
- Advanced Setup
- Power Management

To run the Setup Utility program, use the following procedure.

1. Power-off the computer and wait for a few seconds until all in-use lights go off.
2. Power-on the computer.
3. When the Setup Utility prompt appears on the screen during start-up, press **F1**. The Setup Utility menu will appear.
4. Follow the instructions on the screen.
5. When finished, select **System Summary** to verify that any configuration changes have been accepted.

Product Recovery Program menu

This computer has recovery and diagnostics programs on a separate hard drive partition. The Enhanced Diagnostics diskette is not shipped with the machine. To download the Diagnostics program, see Chapter 4, "Diagnostics," on page 13.

At startup, the machine displays the following prompt:

To start the Product Recovery Program, press F11

Attention: Make sure all data is backed up to avoid loss when the Product Recovery program is used.

After depressing F11, you are given the following options.

- **Factory Contents**

This utility reformats the hard drive and restores all original files.

- **System utilities**

1. **Repair (Windows NT 4.0 and 2000 Only)**

This runs the Windows NT 4.0 emergency repair utility.

2. **Run Diagnostics**

Runs the IBM Enhanced Diagnostic Program.

3. **Create a Diagnostics Diskette**

Creates a bootable diagnostic diskette.

4. **System Information**

Displays information about your computer configuration and allows the user to gather system information that would be needed during a Help Center call.

5. **Create Recovery/Repair Diskette (Disk to Disk Solution Only)**

Creates a startable diskette to restore access to the IBM Product Recovery program on the hard disk.

6. **Recovery CD**

In the event of a Hard Disk Drive failure, a Recovery CD can be used to restore the Hard Disk Drive to the original factory preset. Be sure to use the Recovery CD FRU list to obtain the proper recovery CD for the computer model you are servicing.

Diagnostics

The Diagnostics program uses a full range of diagnostic utilities to determine the operating condition of the computer's hardware components.

For a complete list of error codes and messages, see Chapter 7, "Symptom-to-FRU index," on page 47.

Note: The fans in this system may turn off under normal operation. This is a noise-level reduction feature, and should not be taken to mean there is something wrong with the system.

Diagnostics program download

To download the Diagnostics program, do the following:

- Go to <http://www.ibm.com/>.
- Select **Support**.
- Select **Personal computing** from the "Get product support for" pull-down menu.
- Search for the machine type in the "Quick Path" box on the left.
- Select **Downloadable files** from the options on the left.
- Select **Diagnostics** from the pull down menu.

Navigating through the diagnostics programs

Use the cursor movement keys to navigate within the menus.

- The **Enter** key is used to select a menu item.
- The **Esc** key is used to back up to the previous menu.
- For online help select **F1**.

Running diagnostics tests

There are four ways to run the diagnostic tests.

1. Using the cursor movement keys, highlight **Run Normal Test** or **Run Quick Test** from the Diagnostics menu and then press **Enter**.
This will automatically run a pre-defined group of tests from each test category. **Run Normal Test** runs a more extensive set of tests than does **Run Quick Test** and takes longer to execute.
2. Press **F5** to automatically run all selected tests in all categories. See "Test Selection".
3. From within a test category, press **Ctrl-Enter** to automatically run only the selected tests in that category. See "Test Selection".
4. Using the cursor movement keys, highlight a single test within a test category, then press **Enter**. This will run only that test.

Press **Esc** at any time to stop the testing process.

Test results, (N/A, PASSED, FAILED, ABORTED), are displayed in the field beside the test description and in the test log. See "Viewing the test log" on page 20.

Test selection

To select one or more tests, use the following procedure.

1. Open the corresponding test category.
2. Using the cursor movement keys, highlight the desired test.

3. Press the space bar.
A selected test is marked by >>. Pressing the space bar again de-selects a test and removes the chevron.
4. Repeat steps 2 and 3 above to select all desired tests.

Test results

Diagnostics test results will produce the following error code format:

Function Code	Failure Type	DeviceID	Date	ChkDigits	Text
---------------	--------------	----------	------	-----------	------

- **Function Code:**
Represents the feature or function within the PC.
- **Failure Type:**
Represents the type of error encountered.
- **DeviceID:**
Contains the component's unit-ID which corresponds to either a fixed disk drive, removable media drive, serial or parallel port, processor, specific RIMM, or a device on the PCI bus.
- **Date:**
Contains the date on which the diagnostic test was run. The date is retrieved from CMOS and displayed using the YYYYMMDD format.
- **ChkDigits:**
Contains a 2-digit check-digit value to ensure the following:
 - Diagnostics were run on the specified date.
 - Diagnostics were run on the specified IBM computer.
 - The diagnostic error code is recorded correctly.
- **Text:**
Description of the error.

Note: See "Diagnostic error codes" on page 49 for error code listings.

Fixed disk advanced test (FDAT)

PC-Doctor's (PCDR) Fixed-Disk Advanced Test module (FDAT) is a full-featured highly configurable fixed-disk test suite. The configurable capabilities of FDAT allow users to enable or disable specific tests, enable or disable testing features, control the test log detail, alter testing parameters, etc. FDAT will test for and report most commonly found errors on a fixed-disk drive and is able to test up to 128 SCSI and 4 IDE drives (up to 132 total drives). Drive information is gathered through FDAT's enumeration of available devices and user specific configuration parameters located in the FDAT.INI. FDAT uses information supplied by these features to indicate specifically what devices are available for test, what tests are available for the device, device properties, etc. Modify the FDAT.INI file in PC Doctor for DOS to change testing parameters

FDAT consists of the following subtests and features.

Fixed-Disk Tests:

- *Seek Tests:* - checks the physical operation of the drive head.
 - Linear Seek

- Random Seek
- Min-Max Seek
- Butterfly Seek
- *Verify Tests*: - checks the integrity of the data present on the media.
 - Linear Verify
 - Random Verify
- *Surface Scan Tests*: - checks the drive media for defects.
 - Surface Scan (Linear)
 - Surface Scan (Aggressive) - this is disabled for normal customer use.
 - Surface Scan (Random)
- *SMART*: - checks the SMART functionality for drives that support SMART.
 - Start SMART Self-Test
 - Get SMART test results

Other Test Features:

- *Write-Splice Repair* - detects and corrects Error Correction Code errors during Verify tests.
- *Auto Spin Down* - a gradual spin down of the drive platters to avoid damaging the media.
- *Manufacturer Log* - an in-depth manufacturer supported log of errors on the drive.

Multitasking:

To allow simultaneous testing of multiple hard drives whenever possible, the FDAT module is written as a set of multitasking functions. Each drive under test can run the same test or run a different test at the same time. Each subtest is written to handle a single test pass and all test variables are kept track of in a structure unique for each drive . However, when testing IDE drives, FDAT will not perform simultaneous testing of IDE drives that are attached to the same IDE cable. For example, if FDAT is testing four IDE drives on a PC, it will perform simultaneous testing on drives 1 and 3 first (master drives), then perform tests on 2 and 4 (slave drives). FDAT will also perform simultaneous testing on a master and slave that are on separate IDE cables, but will not perform simultaneous tests on a master and slave on the same IDE cable. This generally increases the amount of time needed to test multiple IDE drives. Another limitation of FDAT'S multitasking capability is the use of Ultra DMA (UDMA). Only one drive at a time can access the UDMA channel and the UDMA channel buffer must be kept high in order to maintain a speed advantage over other data transfer modes. In order to use the UDMA channel during testing, users must disable the multitasking feature.

Destructive vs non-destructive testing:

Most of the tests found in FDAT are non-destructive. This means that PCDR will preserve any data that is present on the tested media prior to beginning any destructive operations (i.e. write operations). However, users can run certain tests in destructive mode (i.e. surface scan tests). Destructive tests will speed up testing because FDAT does not preserve the data on the media prior to the test beginning. Unlike non-destructive tests, any data present on the media prior to the test beginning is lost. FDAT allows for enabling or disabling destructive tests, as well as specifying a range of destructive and non-destructive sectors on the tested drive. This is done through the configuration of the FDAT.INI .If destructive and

non-destructive ranges somehow overlap, then the overlapped area is considered non-destructive. For example, if users specify both destructive and non-destructive ranges as the same, then the entire drive is tested as non-destructive.

Quick and Full erase - hard drive

The Diagnostics program offers two hard drive format utilities:

- Quick Erase Hard Drive
- Full Erase Hard Drive

The Quick Erase Hard Drive provides a DOS utility that performs the following steps.

- Destroys the Master Boot Record (MBR) on the hard drive.
- Destroys all copies of the FAT Table on all partitions (both the master and backup).
- Destroys the partition table.
- Provides messages that warn the user that this is a non-recoverable process.

The Full Erase Hard Drive provides a DOS utility that performs the following steps.

- Performs all the steps in Quick Erase.
- Provides a DOS utility that writes random data to all sectors of the hard drive.
- Provide an estimate of time to completion along with a visual representation of completion status.
- Provides messages that warn the user about non-recoverable process.

Important: Make sure that all data is backed up before using the Quick or Full Erase functions.
--

To select the Quick Erase or Full Erase Hard Drive utility, use the following procedure.

1. Select the UTILITY option on the toolbar and press **Enter**.
2. Select either the QUICK ERASE or FULL ERASE HARD DISK option and follow the instructions.

Viewing the test log

Errors reported by the diagnostic test will be displayed by the program as a failed test.

To view details of a failure or to view a list of test results, use the following procedure from any test category screen.

- Press **F3** to activate the log file.
- Press **F3** again to save the file to diskette or **F2** to print the file.

Chapter 5. External connectors

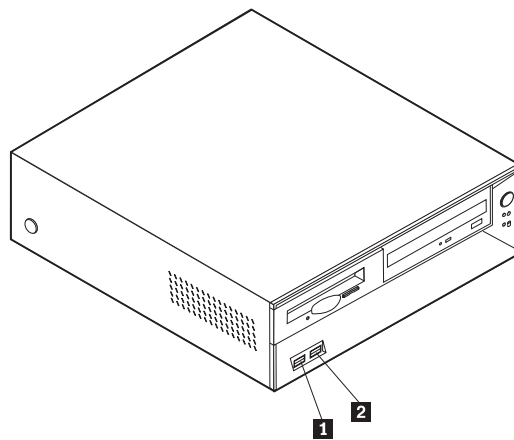
This chapter shows the various external connectors on your computer to which you can attach devices, such as external speakers, a printer, or a scanner. Use the information in this chapter to identify.

Important:

Before you install or remove any option, read “Safety information” on page 187. These precautions and guidelines will help you work safely.

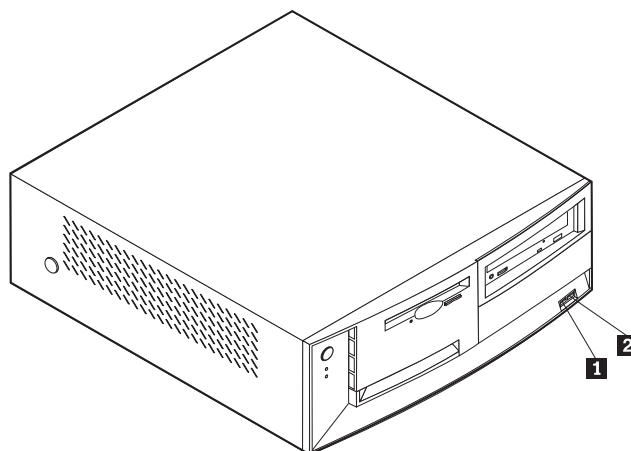
Locating the connectors on the front of your computer

Small desktop models



- 1 USB connector
- 2 USB connector

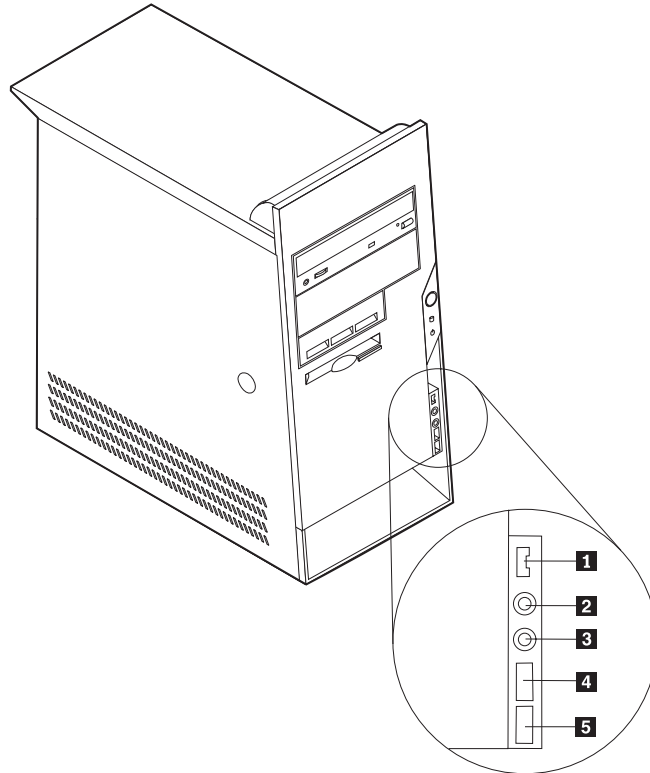
Desktop models



- 1** USB connector
- 2** USB connector

Microtower models

Note: Not all computer models will have the following connectors.

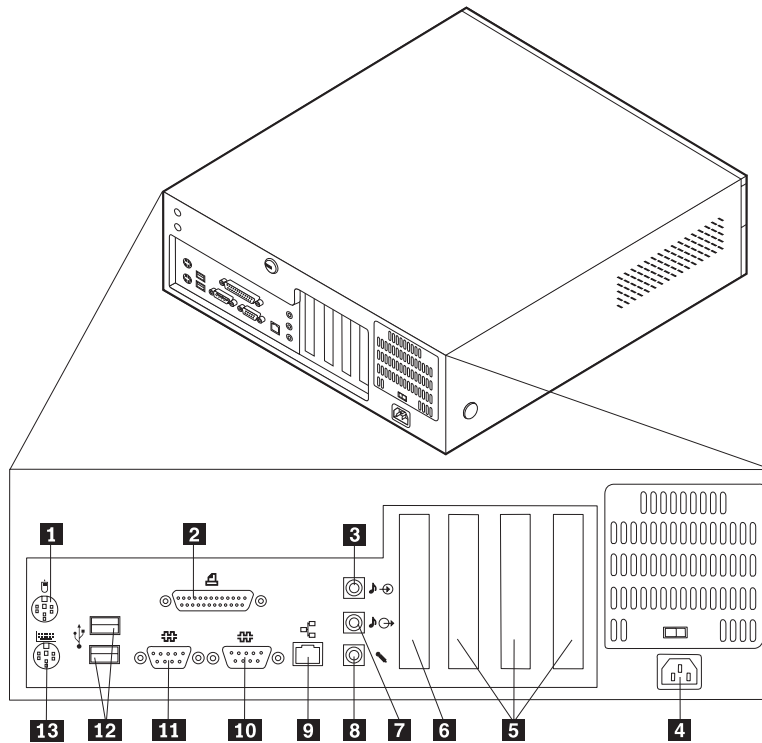


- 1** IEEE 1394 connector
- 2** Microphone connector
- 3** Headphone connector

- 4** USB connector
- 5** USB connector

Locating the connectors on the rear of your computer

Small desktop

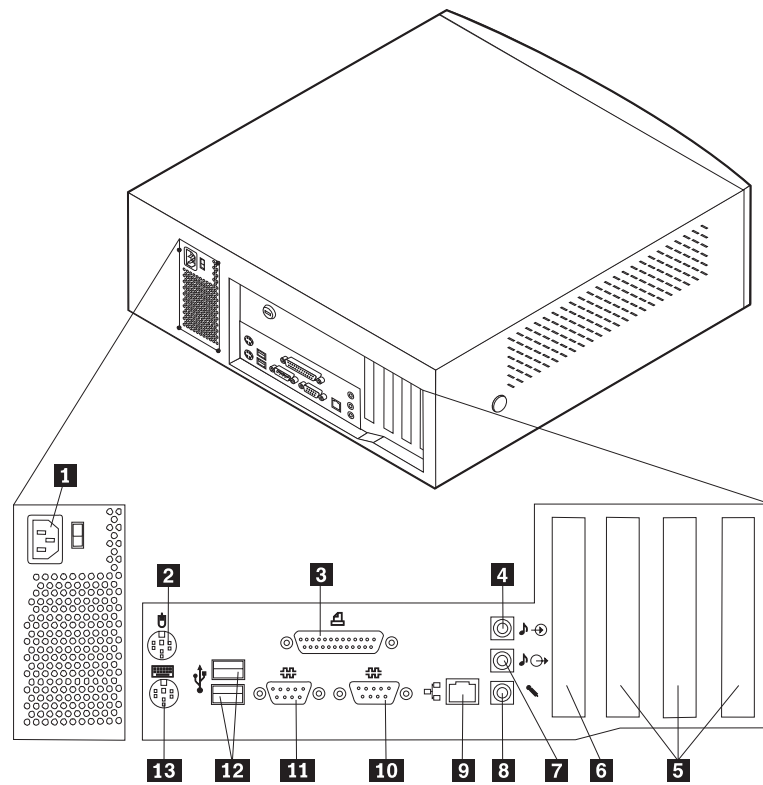


- | | |
|-----------------------------------|-------------------------------|
| 1 Mouse connector | 8 Microphone connector |
| 2 Parallel connector | 9 Ethernet connector |
| 3 Audio line in connector | 10 Serial connector |
| 4 Power connector | 11 Serial connector |
| 5 PCI slots | 12 USB connectors |
| 6 AGP slot | 13 Keyboard connector |
| 7 Audio line out connector | |

See “Connector descriptions” on page 25.

Note: Some connectors on the rear of the computer are color-coded to help you to determine where to connect the cables on your computer.

Desktop

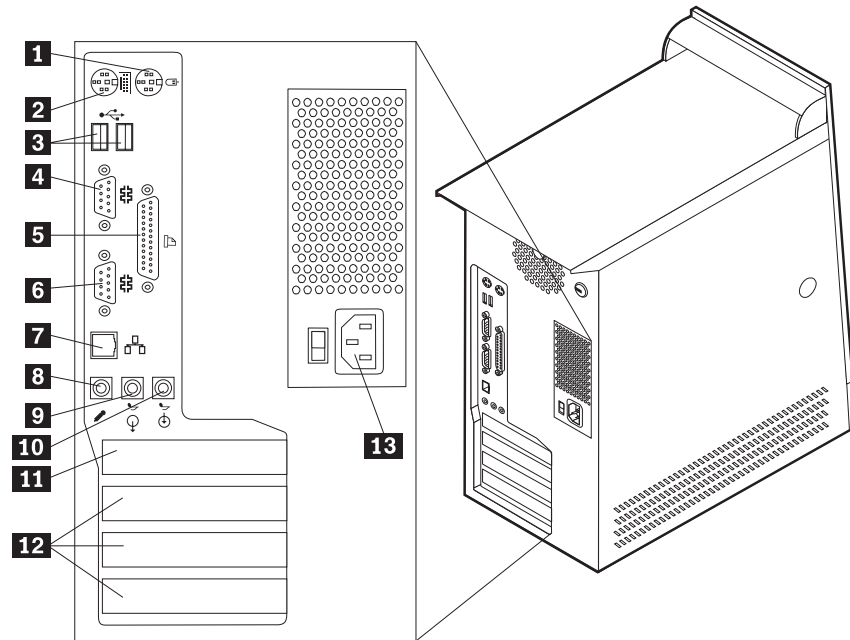


- | | |
|-----------------------------------|-------------------------------|
| 1 Power connector | 8 Microphone connector |
| 2 Mouse connector | 9 Ethernet connector |
| 3 Parallel connector | 10 Serial connector |
| 4 Audio line in connector | 11 Serial connector |
| 5 PCI slots | 12 USB connectors |
| 6 AGP slot | 13 Keyboard connector |
| 7 Audio line out connector | |

See “Connector descriptions” on page 25.

Note: Some connectors on the rear of the computer are color-coded to help you to determine where to connect the cables on your computer.

Microtower



- | | |
|-----------------------------|-----------------------------------|
| 1 Mouse connector | 8 Microphone connector |
| 2 Keyboard connector | 9 Audio line out connector |
| 3 USB connectors | 10 Audio line in connector |
| 4 Serial connector | 11 AGP slot |
| 5 Parallel connector | 12 PCI slots |
| 6 Serial connector | 13 Power connector |
| 7 Ethernet connector | |

See “Connector descriptions.”

Note: Some connectors on the rear of the computer are color-coded to help you to determine where to connect the cables on your computer.

Connector descriptions

Connector	Description
Mouse connector	Used to attach a mouse, trackball, or other pointing device that uses a standard mouse connector.
Keyboard connector	Used to attach a keyboard that uses a standard keyboard connector.
USB connectors	Used to attach a device that requires a Universal Serial Bus (USB) connection, such as a USB scanner or USB printer. If you have more than four USB devices, you can purchase a USB hub, which you can use to connect additional USB devices.

Serial connectors	Used to attach an external modem, serial printer, or other devices that use a 9-pin serial connector.
Parallel connector	Used to attach a parallel printer, parallel scanner, or other devices that use a 25-pin parallel connector.
Ethernet connector	Used to attach an Ethernet cable for a Local Area Network (LAN). Note: To operate the computer within FCC Class B limits, use a category 5 Ethernet cable.
Microphone connector	Used to attach a microphone to your computer when you want to record voice or other sounds on the hard disk if you use speech-recognition software.
Audio line out connector	Used to send audio signals from the computer to external devices, such as powered stereo speakers (speakers with built-in amplifiers), headphones, multimedia keyboards, or the audio line in connector on a stereo system or other external recording device.
Audio line in connector	Used to receive audio signals from an external audio device, such as a stereo system. When you attach an external audio device, a cable is connected between the audio line out connector of the device and the audio line in connector of the computer.

Chapter 6. Replacing FRUs

These procedures are intended for trained service technicians only.

Important

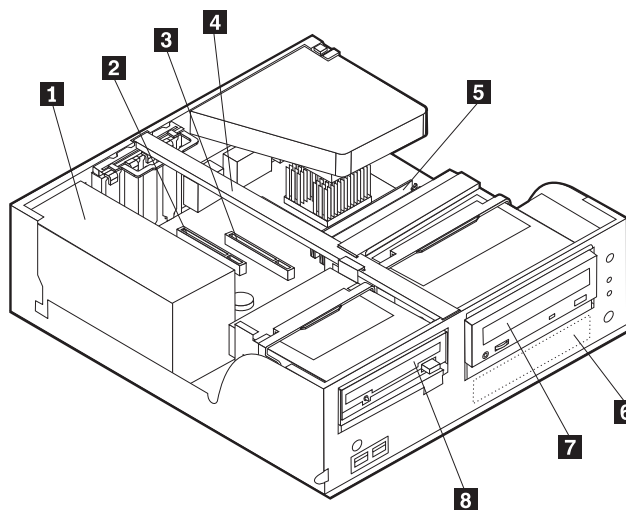
Before you remove or install any FRU, read "Safety information" on page 187. These procedures and guidelines will help you work safely.

small desktop models

These procedures are for machine types 6043, 6343, 6790, and 6791.

Locating components

The following illustration will help you locate the various components in your computer.



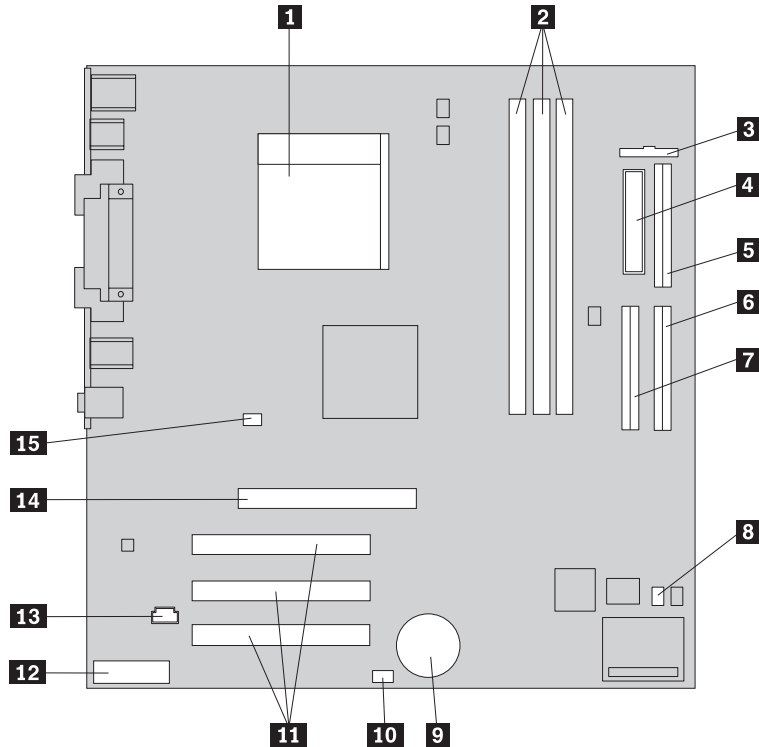
- 1** Power supply
- 2** PCI slot
- 3** AGP slot
- 4** Support bar

- 5** DIMM
- 6** Hard disk drive
- 7** CD drive or DVD drive
- 8** Diskette drive

Identifying parts on the system board

The system board, also called the *planar* or *motherboard*, is the main circuit board in your computer. It provides basic computer functions and supports a variety of devices that are IBM-installed or that you can install later.

See the following illustration for the location of parts on the system board.



- | | |
|--|---------------------------------------|
| 1 Microprocessor | 9 Battery |
| 2 DIMM connectors (1, 2, 3 left to right) | 10 SCSI LED connector |
| 3 Front panel connector | 11 PCI slots |
| 4 Power connector | 12 Front panel audio connector |
| 5 Diskette drive connector | 13 CD-ROM audio connector |
| 6 Primary IDE connector | 14 AGP slot |
| 7 Secondary IDE connector | 15 12V Power connector |
| 8 Clear CMOS/Recovery jumper | |

Removing the cover

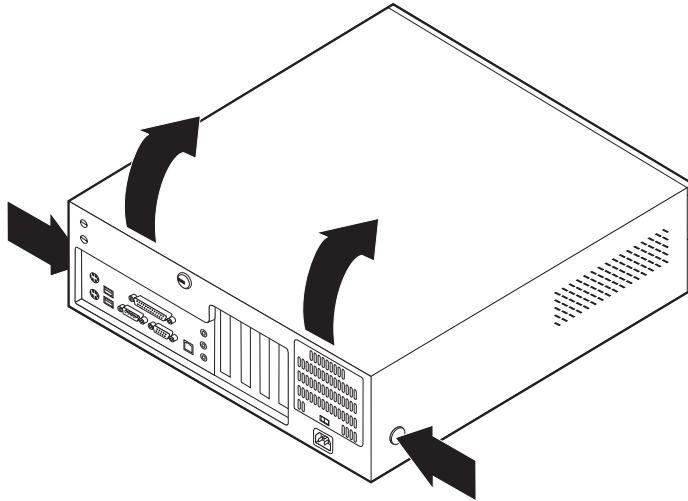
Important

Read before removing the cover read “Safety information” on page 187 and “Handling electrostatic discharge-sensitive devices” on page 190.

To remove the cover:

1. Shut down your operating system, remove any media (diskettes, CDs, or tapes) from the drives, and turn off all attached devices and the computer.
2. Unplug all power cords from electrical outlets.

3. Disconnect all cables attached to the computer. This includes power cords, input/output (I/O) cables, and any other cables that are connected to the computer.
4. Press the buttons on the sides of the computer and pivot the rear end of the cover up toward the front of the computer.



Replacing the microprocessor

1. Shut down your operating system and turn off the computer.
2. Remove the cover. See “Removing the cover” on page 28.
3. Remove the air baffle covering the microprocessor on the system board by squeezing the plastic tabs that secure the air baffle to the chassis.
4. Loosen the two captured screws that hold the fan sink in place and pivot them off the fan sink notches.
5. Gently twist the fan sink to break the thermal grease seal and lift the fan sink off the microprocessor.

Note: If the thermal grease seal cannot be broken, you can turn on the computer for a few minutes to heat the microprocessor and loosen the thermal grease.

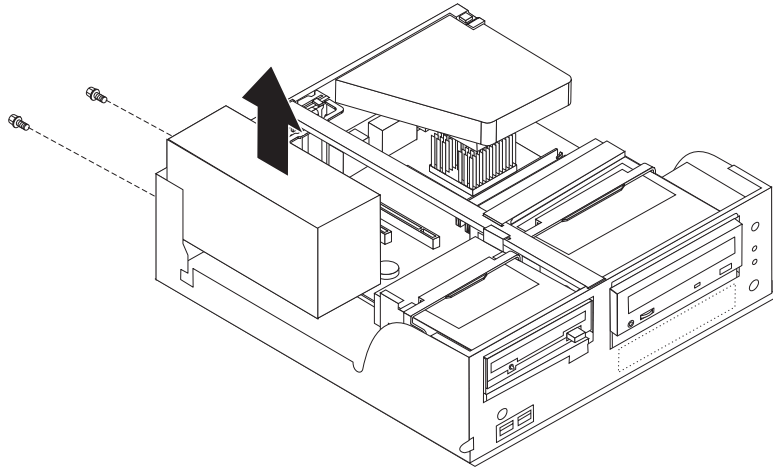
6. Pull out and lift up the processor socket lever to its maximum vertical position to release the microprocessor module.
7. Gently lift the microprocessor off the microprocessor socket.

Notes:

- a. Note the position of the beveled corner on the microprocessor. When installing the new microprocessor, the beveled corner on the microprocessor must be properly oriented with the beveled corner in the socket.
 - b. When installing the new microprocessor, make sure to reinstall the fan sink to insure proper cooling.
8. Reverse this procedure to install the new microprocessor.
 9. Go to “Completing the FRU replacement.” on page 45 when the microprocessor has been installed.

Replacing the power supply

1. Shut down your operating system and turn off the computer.
2. Remove the cover. See “Removing the cover” on page 28.
3. Disconnect all power supply cables from the system board and the drives. See “Identifying parts on the system board” on page 28.
4. Remove the screws that hold the power supply in place.

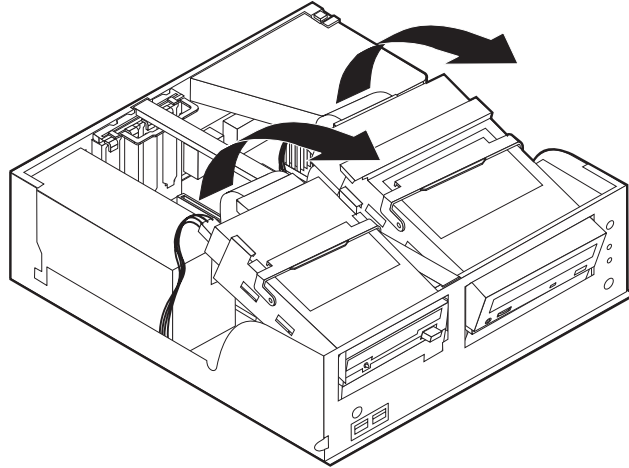


5. Lift the power supply out.
6. Reverse this procedure to install the new power supply.
7. Go to “Completing the FRU replacement.” on page 45 when the power supply has been installed.

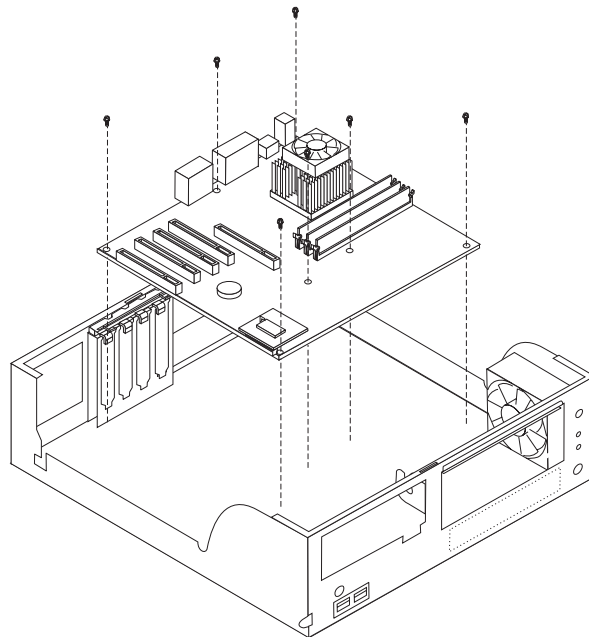
Replacing the system board

1. Shut down your operating system and turn off the computer.
2. Remove the cover. See “Removing the cover” on page 28.

3. Pivot one of the drive bay latch handles toward the front of the computer and then pivot the drive bay cage upward, as shown, until it is latched in the up position. Repeat this procedure for the remaining drive bay.



4. Remove the air baffle covering the microprocessor on the system board by squeezing the plastic tabs that secure the air baffle to the chassis.
5. Remove any adapters connected to the system board.
6. Disconnect all cables connected to the system board. See “Identifying parts on the system board” on page 28.
7. Remove the support bar. See “Locating components” on page 27.
8. Remove the screws that hold the system board to the chassis.

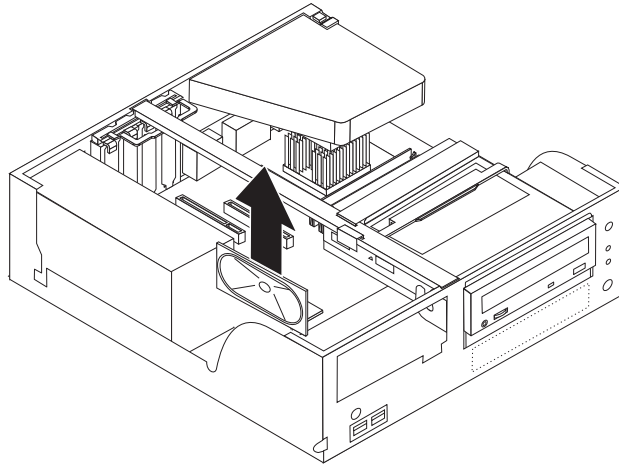


9. Lift the system board out.
10. Remove the microprocessor from the system board and install it on the new system board.
11. Remove the memory modules from the system board and install them on the new system board.
12. Reverse this procedure to install the new system board.

13. Go to “Completing the FRU replacement.” on page 45 when the system board has been installed.

Replacing the speaker

1. Shut down your operating system and turn off the computer.
2. Remove the cover. See “Removing the cover” on page 28.
3. Disconnect the speaker cable from the system board. See “Identifying parts on the system board” on page 28.
4. Slide the speaker up and out of the bracket.



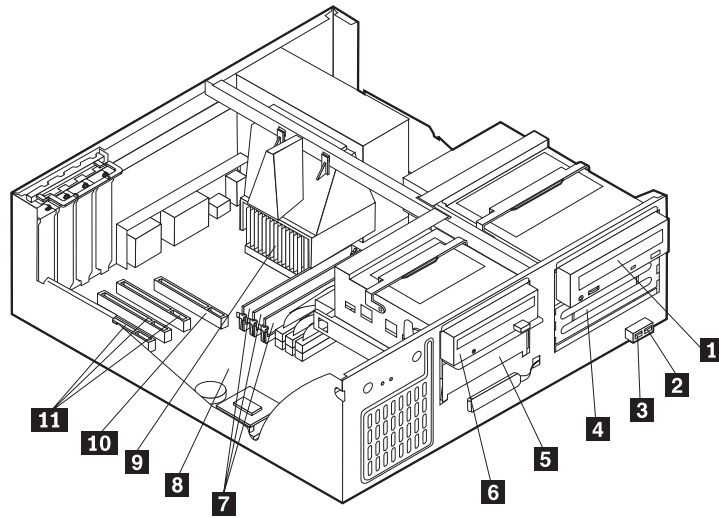
5. Reverse this procedure to install the new speaker.
6. Go to “Completing the FRU replacement.” on page 45 when the speaker has been installed.

Desktop models

These procedures are for machine types 2273, 6349, 6792 and 6793.

Locating components

The following illustration will help you locate the various components in your computer.

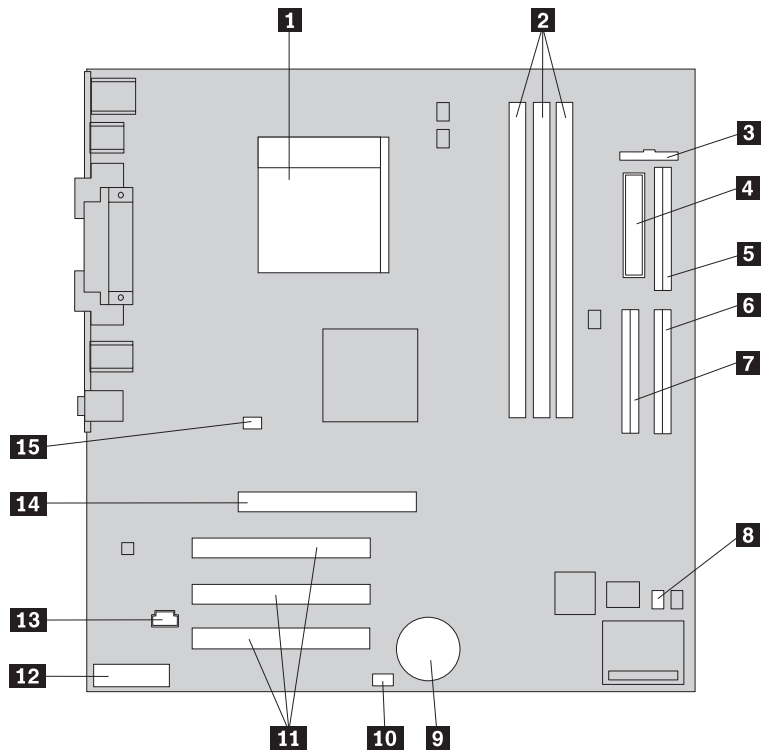


- | | |
|------------------------------|---------------------------------------|
| 1 CD-ROM drive | 7 DIMMs |
| 2 Front USB connector | 8 System board |
| 3 Front USB connector | 9 Microprocessor and heat sink |
| 4 Optional drive bay | 10 AGP slot |
| 5 Hard disk drive | 11 PCI slots |
| 6 Diskette drive | |

Identifying parts on the system board

The system board, also called the *planar* or *motherboard*, is the main circuit board in your computer. It provides basic computer functions and supports a variety of devices that are IBM-installed or that you can install later.

See the following illustration for the location of parts on the system board.



- | | |
|--|---------------------------------------|
| 1 Microprocessor | 9 Battery |
| 2 DIMM connectors (1, 2, 3 left to right) | 10 SCSI LED connector |
| 3 Front panel connector | 11 PCI slots |
| 4 Power connector | 12 Front panel audio connector |
| 5 Diskette drive connector | 13 CD-ROM audio connector |
| 6 Primary IDE connector | 14 AGP slot |
| 7 Secondary IDE connector | 15 12V Power connector |
| 8 Clear CMOS/Recovery jumper | |

Removing the cover

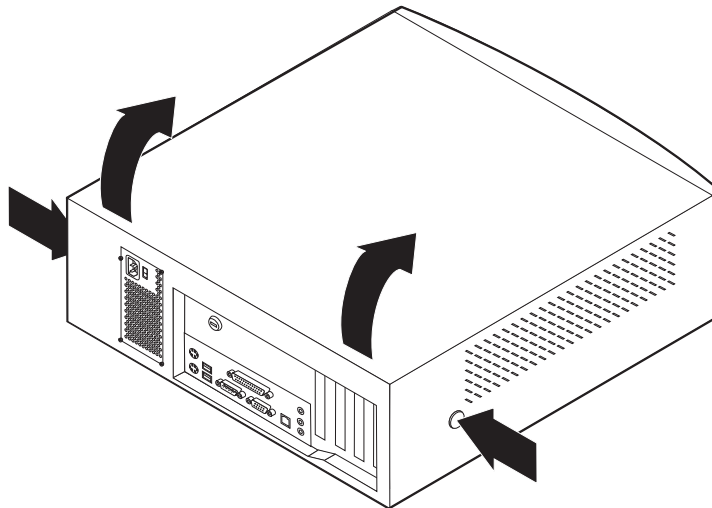
Important

Read before removing the cover read "Safety information" on page 187 and "Handling electrostatic discharge-sensitive devices" on page 190.

To remove the cover:

1. Shut down your operating system, remove any media (diskettes, CDs, or tapes) from the drives, and turn off all attached devices and the computer.
2. Unplug all power cords from electrical outlets.
3. Disconnect all cables attached to the computer. This includes power cords, input/output (I/O) cables, and any other cables that are connected to the computer.

4. Press the buttons on the sides of the computer and pivot the rear end of the cover up toward the front of the computer.



Replacing the microprocessor

1. Shut down your operating system and turn off the computer.
2. Remove the cover. See “Removing the cover” on page 34.
3. Remove the air baffle covering the microprocessor on the system board by squeezing the plastic tabs that secure the air baffle to the chassis.
4. Loosen the two captured screws that hold the fan sink in place and pivot them off the fan sink notches.
5. Gently twist the fan sink to break the thermal grease seal and lift the fan sink off the microprocessor.

Note: If the thermal grease seal cannot be broken, you can turn on the computer for a few minutes to heat the microprocessor and loosen the thermal grease.

6. Pull out and lift up the processor socket lever to its maximum vertical position to release the microprocessor module.
7. Gently lift the microprocessor off the microprocessor socket.

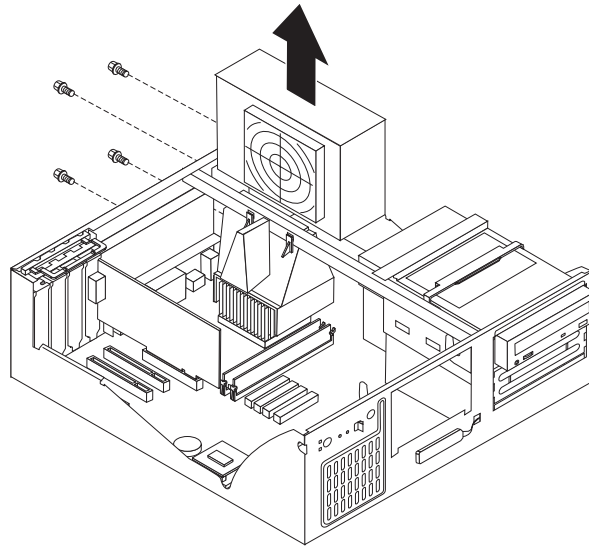
Notes:

- a. Note the position of the beveled corner on the microprocessor. When installing the new microprocessor, the beveled corner on the microprocessor must be properly oriented with the beveled corner in the socket.
 - b. When installing the new microprocessor, make sure to reinstall the fan sink to insure proper cooling.
8. Reverse this procedure to install the new microprocessor.
 9. Go to “Completing the FRU replacement.” on page 45 when the microprocessor has been installed.

Replacing the power supply

1. Shut down your operating system and turn off the computer.
2. Remove the cover. See “Removing the cover” on page 34.
3. Disconnect all power supply cables from the system board and the drives. See “Identifying parts on the system board” on page 33.

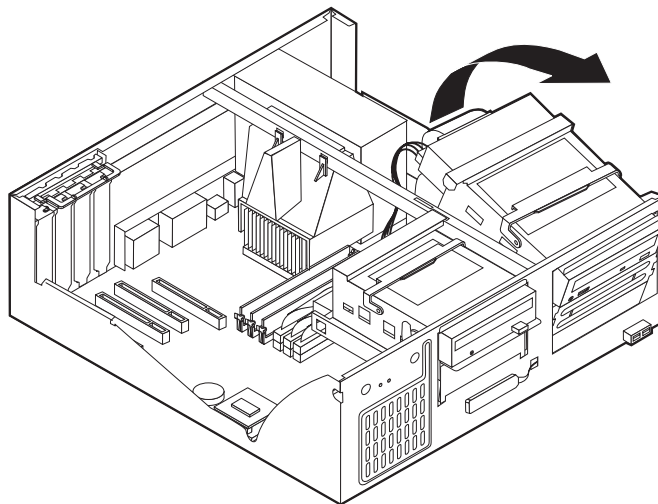
4. Remove the screws that hold the power supply in place.



5. Lift the power supply out.
6. Reverse this procedure to install the new power supply.
7. Go to “Completing the FRU replacement.” on page 45 when the power supply has been installed.

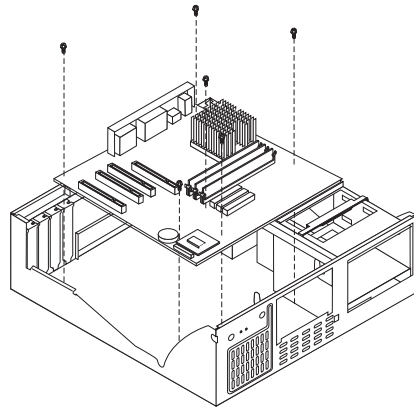
Replacing the system board

1. Shut down your operating system and turn off the computer.
2. Remove the cover. See “Removing the cover” on page 34.
3. Pivot the drive bay latch handle toward the front of the computer and then pivot the drive bay cage upward, as shown, until it is latched in the up right position.



4. Remove any adapters connected to the system board.
5. Disconnect all cables connected to the system board. See “Identifying parts on the system board” on page 33.
6. Remove the support bar. See “Locating components” on page 33.

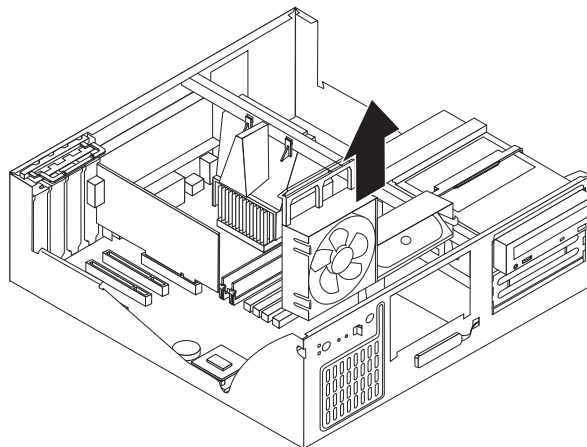
7. Remove the screws that hold the system board to the chassis.



8. Lift the system board out.
9. Remove the microprocessor from the system board and install it on the new system board.
10. Remove the memory modules from the system board and install them on the new system board.
11. Reverse this procedure to install the new system board.
12. Go to “Completing the FRU replacement.” on page 45 when the system board has been installed.

Replacing the fan

1. Shut down your operating system and turn off the computer.
2. Remove the cover. See “Removing the cover” on page 34.
3. Disconnect the fan cable from the system board. See “Identifying parts on the system board” on page 28.
4. Slide the fan up and out of the bracket.



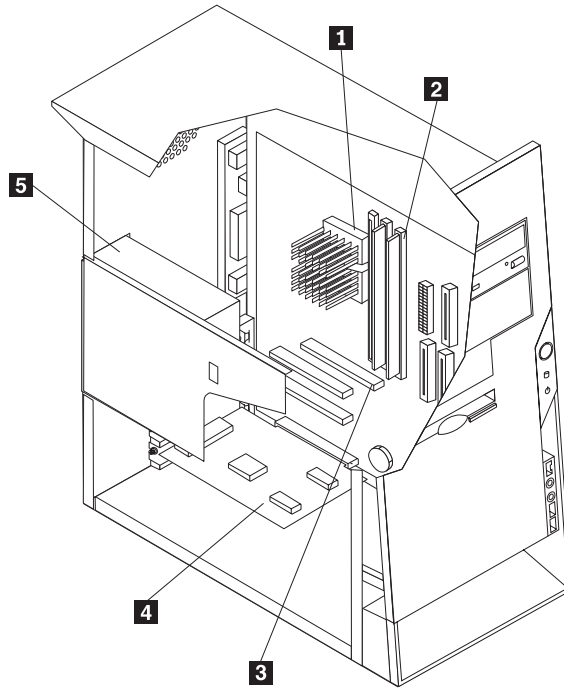
5. Reverse this procedure to install the new fan.
6. Go to “Completing the FRU replacement.” on page 45 when the fan has been installed.

Microtower models

These procedures are for machine types 2292, 6350, 6794, 6795, 6823, and 6825.

Locating components

The following illustration will help you locate the various components in your computer.



1 Microprocessor and heat sink

2 DIMM

3 AGP slot

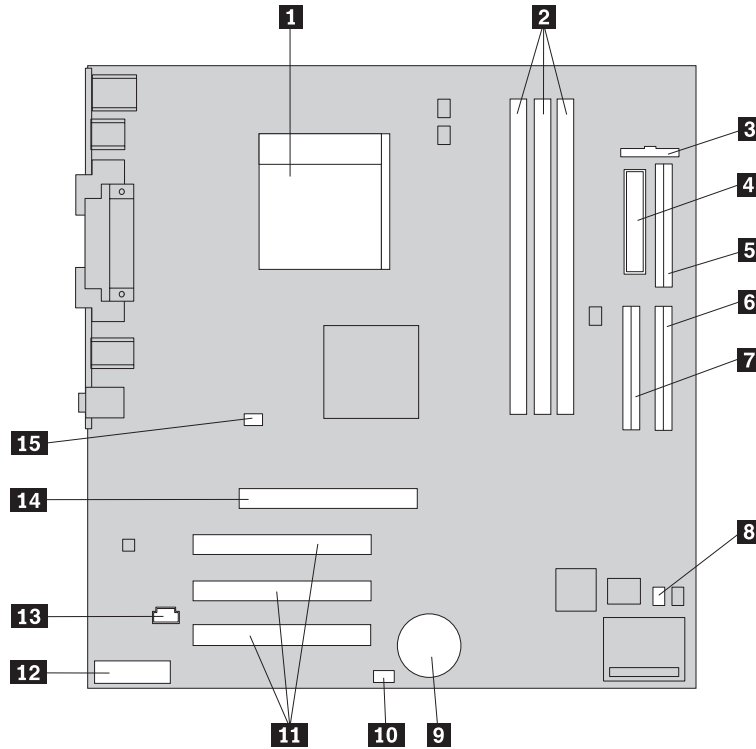
4 PCI adapter

5 Power supply

Identifying parts on the system board

The system board, also called the *planar* or *motherboard*, is the main circuit board in your computer. It provides basic computer functions and supports a variety of devices that are IBM-installed or that you can install later.

See the following illustration for the location of parts on the system board.



- | | |
|--|---------------------------------------|
| 1 Microprocessor | 9 Battery |
| 2 DIMM connectors (1, 2, 3 left to right) | 10 SCSI LED connector |
| 3 Front panel connector | 11 PCI slots |
| 4 Power connector | 12 Front panel audio connector |
| 5 Diskette drive connector | 13 CD-ROM audio connector |
| 6 Primary IDE connector | 14 AGP slot |
| 7 Secondary IDE connector | 15 12V Power connector |
| 8 Clear CMOS/Recovery jumper | |

Removing the cover

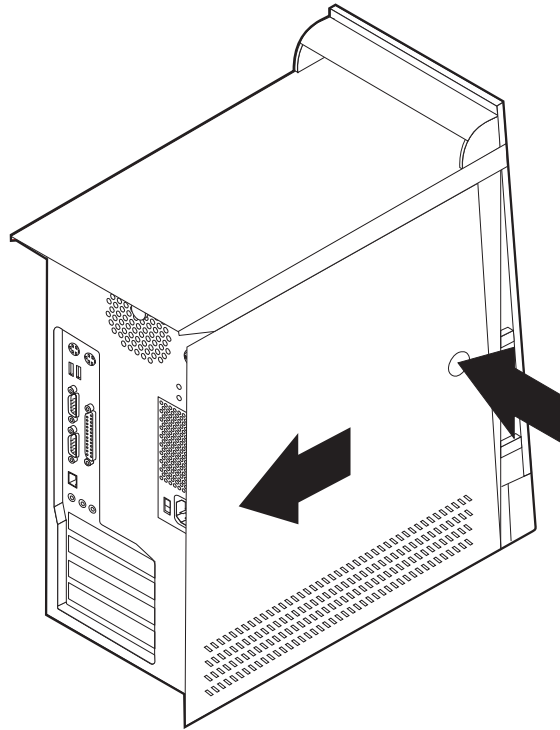
Important

Read before removing the cover read “Safety information” on page 187 and “Handling electrostatic discharge-sensitive devices” on page 190.

To remove the cover:

1. Shut down your operating system, remove any media (diskettes, CDs, or tapes) from the drives, and turn off all attached devices and the computer.
2. Unplug all power cords from electrical outlets.

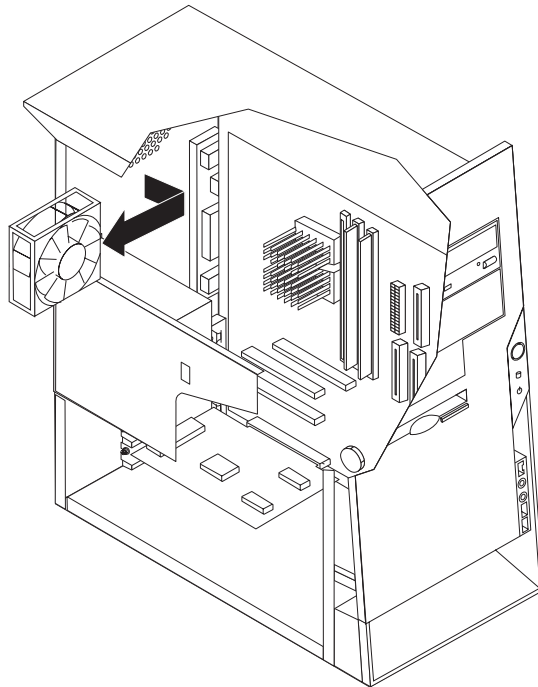
3. Disconnect all cables attached to the computer. This includes power cords, input/output (I/O) cables, and any other cables that are connected to the computer.
4. Press the cover release button on the left side cover and remove the cover.



Replacing the fan

1. Shut down your operating system and turn off the computer.
2. Remove the cover. See "Removing the cover" on page 39.
3. Disconnect the fan cable from the system board. See "Identifying parts on the system board" on page 39.
4. Push in on the tabs holding the fan to the back of the chassis.

5. Lift the fan out of the chassis.



6. Reverse this procedure to install the new fan.
7. Go to “Completing the FRU replacement.” on page 45 when the fan has been installed.

Removing the front bezel

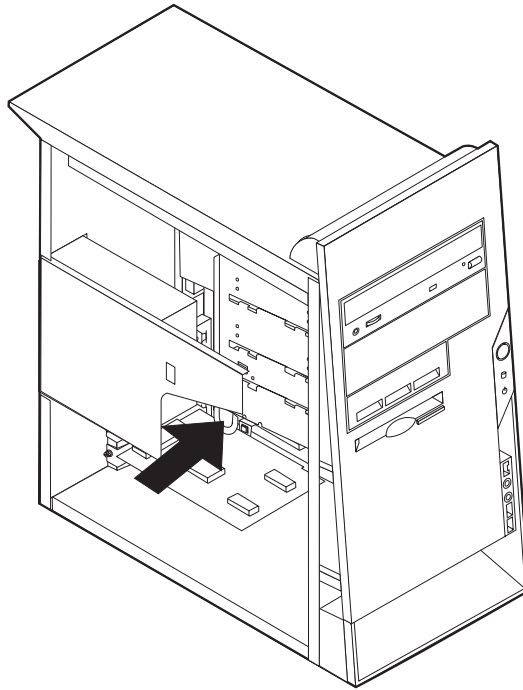
1. Shut down your operating system and turn off the computer.
2. Remove the cover. See “Removing the cover” on page 39.
3. Push in on the blue bezel release arm at the rear of the chassis to disengage the front bezel from the chassis.
4. Lift the bezel off the front of the computer.

Moving the power supply

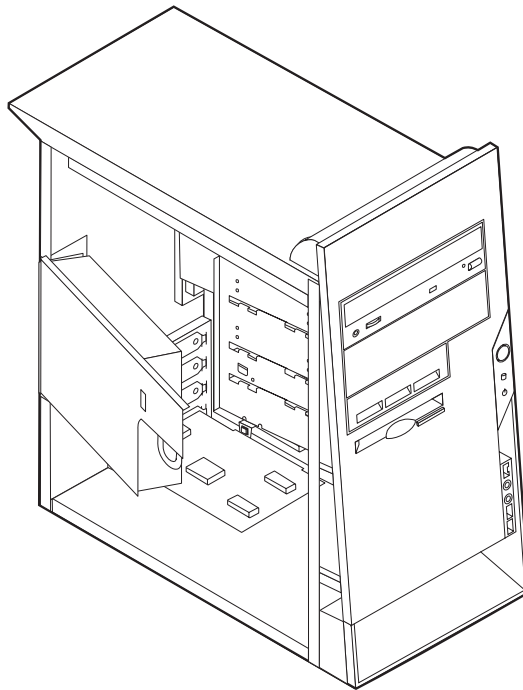
To perform some operations inside the computer, you might need to move the power supply to access parts of the system board that are difficult to see or hard to reach. Use the following procedure to provide easier access to the system board.

1. Locate the power supply. See “Locating components” on page 38.

2. Push the plastic tab to release the power supply.



3. Move the power supply outward from the computer.



4. To replace the power supply, reverse these steps.

Replacing the microprocessor

1. Shut down your operating system and turn off the computer.
2. Remove the cover. See "Removing the cover" on page 39.
3. Remove the air baffle covering the microprocessor on the system board by squeezing the plastic tabs that secure the air baffle to the chassis.

4. Loosen the two captured screws that hold the fan sink in place and pivot them off the fan sink notches.
5. Gently twist the fan sink to break the thermal grease seal and lift the fan sink off the microprocessor.

Note: If the thermal grease seal cannot be broken, you can turn on the computer for a few minutes to heat the microprocessor and loosen the thermal grease.

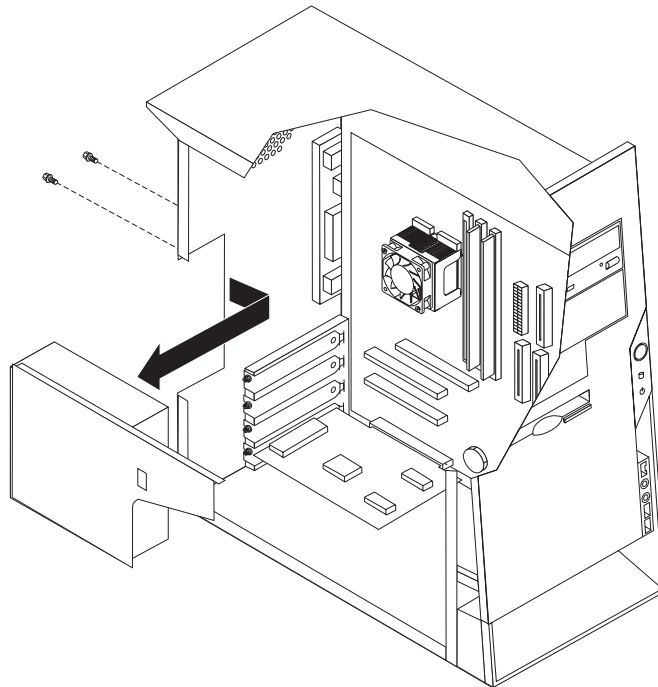
6. Pull out and lift up the processor socket lever to its maximum vertical position to release the microprocessor module.
7. Gently lift the microprocessor off the microprocessor socket.

Notes:

- a. Note the position of the beveled corner on the microprocessor. When installing the new microprocessor, the beveled corner on the microprocessor must be properly oriented with the beveled corner in the socket.
 - b. When installing the new microprocessor, make sure to reinstall the fan sink to insure proper cooling.
8. Reverse this procedure to install the new microprocessor.
 9. Go to “Completing the FRU replacement.” on page 45 when the microprocessor has been installed.

Replacing the power supply

1. Shut down your operating system and turn off the computer.
2. Remove the cover. See “Removing the cover” on page 39.
3. Disconnect all power supply cables from the system board and the drives. See “Identifying parts on the system board” on page 39.
4. Remove the screws that hold the power supply in place.

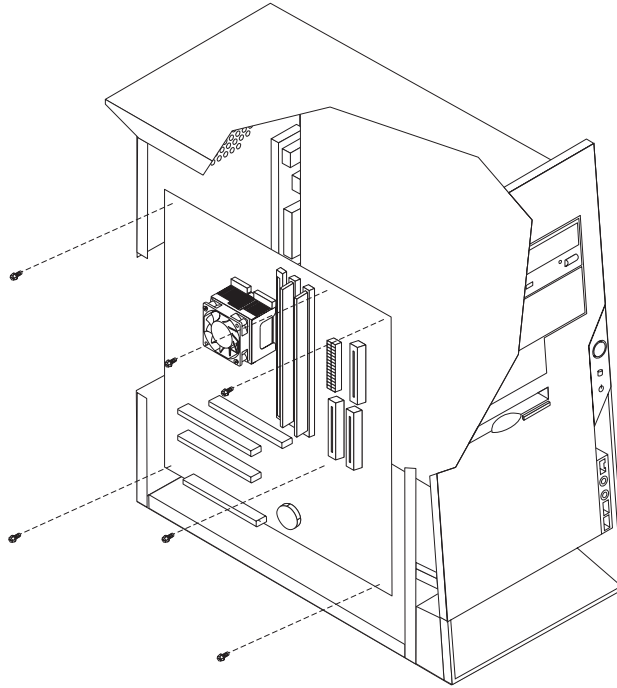


5. Lift the power supply out.
6. Reverse this procedure to install the new power supply.

7. Go to “Completing the FRU replacement.” on page 45 when the power supply has been installed.

Replacing the system board

1. Shut down your operating system and turn off the computer.
2. Remove the cover. See “Removing the cover” on page 39.
3. Remove any adapters connected to the system board.
4. Disconnect all cables connected to the system board. See “Identifying parts on the system board” on page 39.
5. Remove the screws that hold the system board to the chassis.

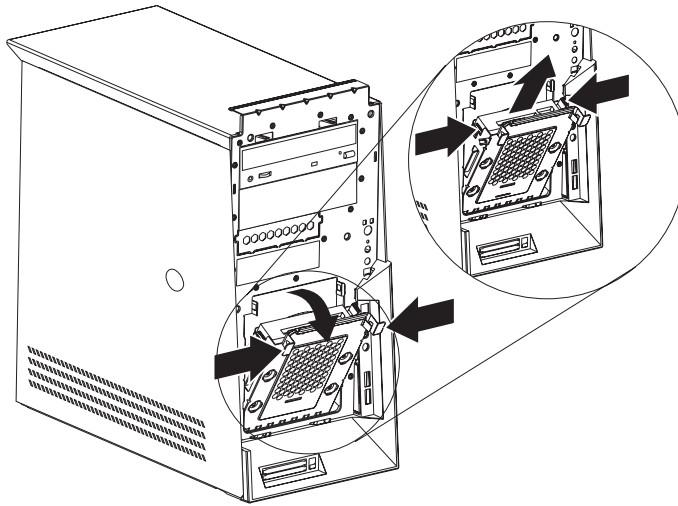


6. Lift the system board out.
7. Remove the microprocessor from the system board and install it on the new system board.
8. Remove the memory modules from the system board and install them on the new system board.
9. Reverse this procedure to install the new system board.
10. Go to “Completing the FRU replacement.” on page 45 when the system board has been installed.

Replacing the hard disk drive

1. Shut down your operating system and turn off the computer.
2. Remove the cover. See “Removing the cover” on page 39.
3. Remove the front bezel. See “Removing the front bezel” on page 41.
4. Disconnect the cables attached to the hard disk drive.

5. Push in on the two tabs to rotate the hard disk drive outward.



6. Push in on the rail guides and slide the hard disk drive out.
7. Reverse this procedure to install the new hard disk drive.

Note: Make sure you obtain the proper Recovery CD to use after installing the hard disk drive.

8. Go to “Completing the FRU replacement.” when the system board has been installed.

Completing the FRU replacement.

After replacing FRUs, you need to install any removed parts, replace the cover, and reconnect any cables, including telephone lines and power cords. Also, depending on the FRU that is replaced, you might need to confirm the updated information in the IBM Setup Utility program.

Note: When the power cord is first plugged in, the computer might appear to turn on for a few seconds and then turn off. This is a normal sequence to enable the computer to initialize.

1. Ensure that all components have been reassembled correctly and that no tools or loose screws are left inside your computer.
2. Make sure the cables are correctly routed and are retained by the cable clips.
3. Close or replace the cover.
4. If your computer is being placed in the vertical position, attach the floor stand.
Attention: To prevent overheating and possible component damage, always attach the floor stand when placing the computer in the vertical position.
5. Reconnect the external cables and power cords to the computer.
6. If you are replacing the system board, you must update (flash) the BIOS. See “Flash update procedures” on page 181.
7. Some FRU replacements require the configuration to be updated. See “Setup Utility program” on page 14.
- 8.

Chapter 7. Symptom-to-FRU index

The Symptom-to-FRU index lists error symptoms and possible causes. The most likely cause is listed first. Always begin with "General Checkout". See Chapter 2, "General checkout," on page 3. This index can also be used to help you decide which FRUs to have available when servicing a computer. If you are unable to correct the problem using this index, go to "Undetermined problems" on page 87.

Notes:

- If you have both an error message and an incorrect audio response, diagnose the error message first.
- If you cannot run the diagnostic tests or you get a diagnostic error code when running a test, but did receive a POST error message, diagnose the POST error message first.
- If you did not receive any error message, look for a description of your error symptoms in the first part of this index.
- Check the hard disk drive jumper settings before you replace a hard disk drive.

Hard disk drive boot error

A hard disk drive boot error (error codes 1962 and I999030X) can have the following causes.

Error	FRU/Action
The start-up drive is not in the boot sequence in configuration.	Check the configuration and ensure the start-up drive is in the boot sequence.
No operating system installed on the boot drive.	Install an operating system on the boot drive.
The boot sector on the start-up drive is corrupted.	The drive must be formatted, do the following: <ol style="list-style-type: none">1. Attempt to access and recover (back-up) the failing hard disk drive.2. Using the operating systems programs, format the hard disk drive.
The drive is defective.	Replace the hard disk drive.

Power Supply Errors

If the power-on indicator is not on, the power supply fan is not running, or the computer will not power-off, use the following procedures.

Check/Verify	FRU/Action
Check the following for proper installation. <ul style="list-style-type: none">• Power Cord• On/Off Switch connector• On/Off Switch Power Supply connector• System Board Power Supply connectors• Microprocessor(s) connection	Reseat
Check the power-on switch for continuity.	Power Cord

Check/Verify	FRU/Action
Check the power-on switch for continuity.	Power-on Switch

Diagnostic error codes

Refer to the following diagnostic error codes when using the diagnostic tests. See Chapter 4, "Diagnostics," on page 13 for the specific type for information about the Diagnostic programs.

In the following index, X can represent any number.

Diagnostic Error Code	FRU/Action
000-000-XXX BIOS Test Passed	1. No action
000-002-XXX BIOS Timeout	1. Flash the system 2. System board
000-024-XXX BIOS Addressing test failure	1. Flash the system 2. System board
000-025-XXX BIOS Checksum Value error	1. Flash the system 2. Boot block 3. System board
000-026-XXX FLASH data error	1. Flash the system 2. Boot block 3. System board
000-027-XXX BIOS Configuration/Setup error	1. Run Setup 2. Flash the system 3. Boot block 4. System board
000-034-XXX BIOS Buffer Allocation failure	1. Reboot the system 2. Flash the system 3. Run memory test 4. System board
000-035-XXX BIOS Reset Condition detected	1. Flash the system 2. System board
000-036-XXX BIOS Register error	1. Flash the system 2. Boot block 3. System board
000-038-XXX BIOS Extension failure	1. Flash the system 2. Adapter card 3. System board
000-039-XXX BIOS DMI data error	1. Flash the system 2. System board
000-195-XXX BIOS Test aborted by user	1. Information 2. Re-start the test, if necessary
000-196-XXX BIOS test halt, error threshold exceeded	1. Press F3 to review the log file 2. Re-start the test to reset the log file

Diagnostic Error Code	FRU/Action
000-197-XXX BIOS test warning	<ol style="list-style-type: none"> 1. Make sure the component that is called out is connected and/or enabled 2. Re-run test 3. Component that is called out in warning statement 4. Component under test
000-198-XXX BIOS test aborted	<ol style="list-style-type: none"> 1. If a component is called out, make sure it is connected and/or enabled 2. Flash the system and re-test 3. Go to the "Undetermined problems" section
000-199-XXX BIOS test failed, cause unknown	<ol style="list-style-type: none"> 1. Go to the "Undetermined problems" section 2. Flash the system and re-test 3. Replace component under function test
000-250-XXX BIOS APM failure	<ol style="list-style-type: none"> 1. Flash the system 2. System board
000-270-XXX BIOS ACPI failure	<ol style="list-style-type: none"> 1. Flash the system 2. System board
001-000-XXX System Test Passed	<ol style="list-style-type: none"> 1. No action
001-00X-XXX System Error	<ol style="list-style-type: none"> 1. System board
001-01X-XXX System Error	<ol style="list-style-type: none"> 1. System board
001-024-XXX System Addressing test failure	<ol style="list-style-type: none"> 1. System board
001-025-XXX System Checksum Value error	<ol style="list-style-type: none"> 1. Flash the system 2. System board
001-026-XXX System FLASH data error	<ol style="list-style-type: none"> 1. Flash the system 2. System board
001-027-XXX System Configuration/Setup error	<ol style="list-style-type: none"> 1. Run Setup 2. Flash the system 3. System board
001-032-XXX System Device Controller failure	<ol style="list-style-type: none"> 1. System board
001-034-XXX System Device Buffer Allocation failure	<ol style="list-style-type: none"> 1. Reboot the system 2. Flash the system 3. Run memory test 4. System board
001-035-XXX System Device Reset condition detected	<ol style="list-style-type: none"> 1. System board
001-036-XXX System Register error	<ol style="list-style-type: none"> 1. System board

Diagnostic Error Code	FRU/Action
001-038-XXX System Extension failure	1. Adapter card 2. System board
001-039-XXX System DMI data structure error	1. Flash the system 2. System board
001-040-XXX System IRQ failure	1. Power-off/on system and re-test 2. System board
001-041-XXX System DMA failure	1. Power-off/on system and re-test 2. System board
001-195-XXX System Test aborted by user	1. Information 2. Re-start the test, if necessary
001-196-XXX System test halt, error threshold exceeded	1. Press F3 to review the log file 2. Re-start the test to reset the log file
001-197-XXX System test warning	1. Make sure the component that is called out is connected and/or enabled 2. Re-run test 3. Component that is called out in warning statement 4. Component under test
001-198-XXX System test aborted	1. If a component is called out, make sure it is connected and/or enabled 2. Flash the system and re-test 3. Go to the "Undetermined problems" section
001-199-XXX System test failed, cause unknown	1. Go to the "Undetermined problems" section 2. Flash the system and re-test 3. Replace component under function test
001-250-XXX System ECC error	1. System board
001-254-XXX 001-255-XXX 001-256-XXX 001-257-XXX System DMA error	1. System board
001-260-XXX 001-264-XXX System IRQ error	1. System board
001-268-XXX System IRQ1 failure	1. Device on IRQ1 2. System board
001-269-XXX System IRQ2 failure	1. Device on IRQ2 2. System board
001-270-XXX System IRQ3 failure	1. Device on IRQ3 2. System board

Diagnostic Error Code	FRU/Action
001-271-XXX System IRQ4 failure	1. Device on IRQ4 2. System board
001-272-XXX System IRQ5 failure	1. Device on IRQ5 2. System board
001-273-XXX System IRQ6 (diskette drive) failure	1. Diskette Cable 2. Diskette drive 3. System board
001-274-XXX System IRQ7 failure	1. Device on IRQ7 2. System board
001-275-XXX System IRQ8 failure	1. Device on IRQ8 2. System board
001-276-XXX System IRQ9 failure	1. Device on IRQ9 2. System board
001-277-XXX System IRQ10 failure	1. Device on IRQ10 2. System board
001-278-XXX System IRQ11 failure	1. Device on IRQ11 2. System board
001-279-XXX System IRQ12 failure	1. Device on IRQ12 2. System board
001-280-XXX System IRQ13 failure	1. Device on IRQ13 2. System board
001-281-XXX System IRQ14 (hard disk drive) failure	1. Hard disk drive cable 2. Hard disk drive 3. System board
001-282-XXX System IRQ15 failure	1. Device on IRQ15 2. System board
001-286-XXX 001-287-XXX 001-288-XXX System Timer failure	1. System board
001-292-XXX System CMOS RAM error	1. Run Setup and re-test 2. System board
001-293-XXX System CMOS Battery	1. Battery 2. System board
001-298-XXX System RTC date/time update failure	1. Flash the system 2. System board
001-299-XXX System RTC periodic interrupt failure	1. System board
001-300-XXX System RTC Alarm failure	1. System board

Diagnostic Error Code	FRU/Action
001-301-XXX System RTC Century byte error	<ol style="list-style-type: none"> 1. Flash the system 2. System board
005-000-XXX Video Test Passed	<ol style="list-style-type: none"> 1. No action
005-00X-XXX Video error	<ol style="list-style-type: none"> 1. Video card, if installed 2. System board
005-010-XXX 005-011-XXX 005-012-XXX 005-013-XXX Video Signal failure	<ol style="list-style-type: none"> 1. Video card, if installed 2. System board
005-016-XXX Video Simple Pattern test failure	<ol style="list-style-type: none"> 1. Video Ram 2. Video card, if installed 3. System board
005-024-XXX Video Addressing test failure	<ol style="list-style-type: none"> 1. Video card, if installed 2. System board
005-025-XXX Video Checksum Value error	<ol style="list-style-type: none"> 1. Video card, if installed 2. System board
005-027-XXX Video Configuration/Setup error	<ol style="list-style-type: none"> 1. Run Setup 2. Video drivers update 3. Video card, if installed 4. System board
005-031-XXX Video Device Cable failure	<ol style="list-style-type: none"> 1. Video cable 2. Monitor 3. Video card, if installed 4. System board
005-032-XXX Video Device Controller failure	<ol style="list-style-type: none"> 1. Video card, if installed 2. System board
005-036-XXX Video Register error	<ol style="list-style-type: none"> 1. Video card, if installed 2. System board
005-038-XXX System BIOS extension failure	<ol style="list-style-type: none"> 1. Video card, if installed 2. System board
005-040-XXX Video IRQ failure	<ol style="list-style-type: none"> 1. Video card, if installed 2. System board
005-195-XXX Video Test aborted by user	<ol style="list-style-type: none"> 1. Information 2. Re-start the test, if necessary
005-196-XXX Video test halt, error threshold exceeded	<ol style="list-style-type: none"> 1. Press F3 to review the log file 2. Re-start the test to reset the log file

Diagnostic Error Code	FRU/Action
005-197-XXX Video test warning	<ol style="list-style-type: none"> 1. Make sure the component that is called out is connected and/or enabled 2. Re-run test 3. Component that is called out in warning statement 4. Component under test
005-198-XXX Video test aborted	<ol style="list-style-type: none"> 1. If a component is called out, make sure it is connected and/or enabled 2. Flash the system and re-test 3. Go to the "Undetermined problems" section
005-199-XXX Video test failed, cause unknown	<ol style="list-style-type: none"> 1. Go to the "Undetermined problems" section 2. Flash the system and re-test 3. Replace component under function test
005-2XX-XXX 005-3XX-XXX Video subsystem error	<ol style="list-style-type: none"> 1. Video card, if installed 2. System board
006-000-XXX Diskette interface Test Passed	<ol style="list-style-type: none"> 1. No action
006-0XX-XXX Diskette interface error	<ol style="list-style-type: none"> 1. Diskette drive Cable 2. Diskette drive 3. System board
006-195-XXX Diskette interface Test aborted by user	<ol style="list-style-type: none"> 1. Information 2. Re-start the test, if necessary
006-196-XXX Diskette interface test halt, error threshold exceeded	<ol style="list-style-type: none"> 1. Press F3 to review the log file 2. Re-start the test to reset the log file
006-197-XXX Diskette interface test warning	<ol style="list-style-type: none"> 1. If a component is called out, make sure it is connected and/or enabled 2. Re-run test 3. Component that is called out in warning statement 4. Component under test
006-198-XXX Diskette interface test aborted	<ol style="list-style-type: none"> 1. If a component is called out, make sure it is connected and/or enabled 2. Flash the system and re-test 3. Go to the "Undetermined problems" section
006-199-XXX Diskette interface test failed, cause unknown	<ol style="list-style-type: none"> 1. Go to the "Undetermined problems" section 2. Flash the system and re-test 3. Replace component under function test
006-25X-XXX Diskette interface Error	<ol style="list-style-type: none"> 1. Diskette drive cable 2. Diskette drive 3. System board

Diagnostic Error Code	FRU/Action
011-000-XXX Serial port Interface Test Passed	1. No action
011-001-XXX Serial port Presence	1. Remove external serial device, if present 2. Run setup, enable port 3. System board
011-002-XXX 011-003-XXX Serial port Timeout/Parity error	1. System board
011-013-XXX 011-014-XXX Serial port Control Signal/Loopback test failure	1. System board
011-015-XXX Serial port External Loopback failure	1. Wrap plug 2. System board
011-027-XXX Serial port Configuration/Setup error	1. Run Setup, enable port 2. Flash the system 3. System board
011-03X-XXX 011-04X-XXX Serial port failure	1. System board
011-195-XXX Serial port Test aborted by user	1. Information 2. Re-start the test, if necessary
011-196-XXX Serial port test halt, error threshold exceeded	1. Press F3 to review the log file 2. Re-start the test to reset the log file
011-197-XXX Serial port test warning	1. Make sure the component that is called out is connected and/or enabled 2. Re-run test 3. Component that is called out in warning statement 4. Component under test
011-198-XXX Serial port test aborted	1. If a component is called out, make sure it is connected and/or enabled 2. Flash the system and re-test 3. Go to the "Undetermined problems" section
011-199-XXX Serial port test failed, cause unknown	1. Go to the "Undetermined problems" section 2. Flash the system and re-test 3. Replace component under function test
011-2XX-XXX Serial port signal failure	1. External serial device 2. System board
014-000-XXX Parallel port Interface Test Passed	1. No action

Diagnostic Error Code	FRU/Action
014-001-XXX Parallel port Presence	<ol style="list-style-type: none"> 1. Remove external parallel device, if present 2. Run setup, enable port 3. System board
014-002-XXX 014-003-XXX Parallel port Timeout/Parity error	<ol style="list-style-type: none"> 1. System board
014-013-XXX 014-014-XXX Parallel port Control Signal/Loopback test failure	<ol style="list-style-type: none"> 1. System board
014-015-XXX Parallel port External Loopback failure	<ol style="list-style-type: none"> 1. Wrap plug 2. System board
014-027-XXX Parallel port Configuration/Setup error	<ol style="list-style-type: none"> 1. Run Setup, enable port 2. Flash the system 3. System board
014-03X-XXX 014-04X-XXX Parallel port failure	<ol style="list-style-type: none"> 1. System board
014-195-XXX Parallel port Test aborted by user	<ol style="list-style-type: none"> 1. Information 2. Re-start the test, if necessary
014-196-XXX Parallel port test halt, error threshold exceeded	<ol style="list-style-type: none"> 1. Press F3 to review the log file 2. Re-start the test to reset the log file
014-197-XXX Parallel port test warning	<ol style="list-style-type: none"> 1. Make sure the component that is called out is connected and/or enabled 2. Re-run test 3. Component that is called out in warning statement 4. Component under test
014-198-XXX Parallel port test aborted	<ol style="list-style-type: none"> 1. If a component is called out, make sure it is connected and/or enabled 2. Flash the system and re-test 3. Go to the "Undetermined problems" section
014-199-XXX Parallel port test failed, cause unknown	<ol style="list-style-type: none"> 1. Go to the "Undetermined problems" section 2. Flash the system and re-test 3. Replace component under function test
014-2XX-XXX 014-3XX-XXX Parallel port failure	<ol style="list-style-type: none"> 1. External parallel device 2. System board
015-000-XXX USB port Interface Test Passed	<ol style="list-style-type: none"> 1. No action
015-001-XXX USB port Presence	<ol style="list-style-type: none"> 1. Remove USB device(s) and re-test 2. System board

Diagnostic Error Code	FRU/Action
015-002-XXX USB port Timeout	<ol style="list-style-type: none"> 1. Remove USB device(s) and re-test 2. System board
015-015-XXX USB port External Loopback failure	<ol style="list-style-type: none"> 1. Remove USB device(s) and re-test 2. System board
015-027-XXX USB port Configuration/Setup error	<ol style="list-style-type: none"> 1. Flash the system 2. System board
015-032-XXX USB port Device Controller failure	<ol style="list-style-type: none"> 1. System board
015-034-XXX USB port buffer allocation failure	<ol style="list-style-type: none"> 1. Reboot the system 2. Flash the system 3. Run memory test 4. System board
015-035-XXX USB port Reset condition detected	<ol style="list-style-type: none"> 1. Remove USB device(s) and re-test 2. System board
015-036-XXX USB port Register error	<ol style="list-style-type: none"> 1. System board
015-040-XXX USB port IRQ failure	<ol style="list-style-type: none"> 1. Run setup and check for conflicts 2. Flash the system 3. System board
015-195-XXX USB port Test aborted by user	<ol style="list-style-type: none"> 1. Information 2. Re-start the test, if necessary
015-196-XXX USB port test halt, error threshold exceeded	<ol style="list-style-type: none"> 1. Press F3 to review the log file 2. Re-start the test to reset the log file
015-197-XXX USB port test warning	<ol style="list-style-type: none"> 1. Make sure the component that is called out is connected and/or enabled 2. Re-run test 3. Component that is called out in warning statement 4. Component under test
015-198-XXX USB port test aborted	<ol style="list-style-type: none"> 1. If a component is called out, make sure it is connected and/or enabled 2. Flash the system and re-test 3. Go to the "Undetermined problems" section
015-199-XXX USB port test failed, cause unknown	<ol style="list-style-type: none"> 1. Go to the "Undetermined problems" section 2. Flash the system and re-test 3. Replace component under function test
018-000-XXX PCI Card Test Passed	<ol style="list-style-type: none"> 1. No action
018-0XX-XXX PCI Card Failure	<ol style="list-style-type: none"> 1. Riser card, if installed 2. System board

Diagnostic Error Code	FRU/Action
018-195-XXX PCI Card Test aborted by user	<ol style="list-style-type: none"> 1. PCI card 2. Information 3. Re-start the test, if necessary
018-196-XXX PCI Card test halt, error threshold exceeded	<ol style="list-style-type: none"> 1. Press F3 to review the log file 2. Re-start the test to reset the log file
018-197-XXX PCI Card test warning	<ol style="list-style-type: none"> 1. Make sure the component that is called out is connected and/or enabled 2. Re-run test 3. Component that is called out in warning statement 4. Component under test
018-198-XXX PCI Card test aborted	<ol style="list-style-type: none"> 1. Make sure the component that is called out is connected and/or enabled 2. Flash the system and re-test 3. Go to the "Undetermined problems" section
018-199-XXX PCI Card test failed, cause unknown	<ol style="list-style-type: none"> 1. Go to the "Undetermined problems" section 2. Flash the system and re-test 3. Replace component under function test
018-250-XXX PCI Card Services error	<ol style="list-style-type: none"> 1. PCI card 2. Riser card, if installed 3. System board
020-000-XXX PCI Interface Test Passed	<ol style="list-style-type: none"> 1. No action
020-0XX-XXX PCI Interface error	<ol style="list-style-type: none"> 1. PCI card 2. Riser card, if installed 3. System board
020-195-XXX PCI Test aborted by user	<ol style="list-style-type: none"> 1. Information 2. Re-start the test, if necessary
020-196-XXX PCI test halt, error threshold exceeded	<ol style="list-style-type: none"> 1. Press F3 to review the log file 2. Re-start the test to reset the log file
020-197-XXX PCI test warning	<ol style="list-style-type: none"> 1. Make sure the component that is called out is connected and/or enabled 2. Re-run test 3. Component that is called out in warning statement 4. Component under test
020-198-XXX PCI test aborted	<ol style="list-style-type: none"> 1. If a component is called out, make sure it is connected and/or enabled 2. Flash the system and re-test 3. Go to the "Undetermined problems" section

Diagnostic Error Code	FRU/Action
020-199-XXX PCI test failed, cause unknown	<ol style="list-style-type: none"> 1. Go to the "Undetermined problems" section 2. Flash the system and re-test 3. Replace component under function test
020-262-XXX PCI system error	<ol style="list-style-type: none"> 1. PCI card 2. Riser card, if installed 3. System board
025-000-XXX IDE interface Test Passed	<ol style="list-style-type: none"> 1. No action
025-00X-XXX 025-01X-XXX IDE interface failure	<ol style="list-style-type: none"> 1. IDE signal cable 2. Check power supply 3. IDE device 4. System board
025-027-XXX IDE interface Configuration/Setup error	<ol style="list-style-type: none"> 1. IDE signal cable 2. Flash the system 3. IDE device 4. System board
025-02X-XXX 025-03X-XXX 025-04X-XXX IDE Interface failure	<ol style="list-style-type: none"> 1. IDE signal cable 2. Check power supply 3. IDE device 4. System board
025-195-XXX IDE interface Test aborted by user	<ol style="list-style-type: none"> 1. Information 2. Re-start the test, if necessary
025-196-XXX IDE interface test halt, error threshold exceeded	<ol style="list-style-type: none"> 1. Press F3 to review the log file 2. Re-start the test to reset the log file
025-197-XXX IDE interface test warning	<ol style="list-style-type: none"> 1. Make sure the component that is called out is connected and/or enabled 2. Re-run test 3. Component that is called out in warning statement 4. Component under test
025-198-XXX IDE interface test aborted	<ol style="list-style-type: none"> 1. If a component is called out, make sure it is connected and/or enabled 2. Flash the system and re-test 3. Go to the "Undetermined problems" section
025-199-XXX IDE interface test failed, cause unknown	<ol style="list-style-type: none"> 1. Go to the "Undetermined problems" section 2. Flash the system and re-test 3. Replace component under function test
030-000-XXX SCSI interface Test Passed	<ol style="list-style-type: none"> 1. No action

Diagnostic Error Code	FRU/Action
030-00X-XXX 030-01X-XXX SCSI interface failure	<ol style="list-style-type: none"> 1. SCSI signal cable 2. Check power supply 3. SCSI device 4. SCSI adapter card, if installed 5. System board
030-027-XXX SCSI interface Configuration/Setup error	<ol style="list-style-type: none"> 1. SCSI signal cable 2. Flash the system 3. SCSI device 4. SCSI adapter card, if installed 5. System board
030-03X-XXX 030-04X-XXX SCSI interface error	<ol style="list-style-type: none"> 1. SCSI signal cable 2. Check power supply 3. SCSI device 4. SCSI adapter card, if installed 5. installed System board
030-195-XXX SCSI interface Test aborted by user	<ol style="list-style-type: none"> 1. Information 2. Re-start the test, if necessary
030-196-XXX SCSI interface test halt, error threshold exceeded	<ol style="list-style-type: none"> 1. Press F3 to review the log file 2. Re-start the test to reset the log file
030-197-XXX SCSI interface test warning	<ol style="list-style-type: none"> 1. Make sure the component that is called out is connected and/or enabled 2. Re-run test 3. Component that is called out in warning statement 4. Component under test
030-198-XXX SCSI interface test aborted	<ol style="list-style-type: none"> 1. If a component is called out, make sure it is connected and/or enabled 2. Flash the system and re-test 3. Go to the "Undetermined problems" section
030-199-XXX SCSI interface test failed, cause unknown	<ol style="list-style-type: none"> 1. Go to the "Undetermined problems" section 2. Flash the system and re-test 3. Replace component under function test
035-000-XXX RAID interface Test Passed	<ol style="list-style-type: none"> 1. No action
035-0XX-XXX RAID interface Failure	<ol style="list-style-type: none"> 1. RAID signal cable 2. RAID device 3. RAID adapter card, if installed 4. System board
035-195-XXX RAID interface Test aborted by user	<ol style="list-style-type: none"> 1. Information 2. Re-start the test, if necessary

Diagnostic Error Code	FRU/Action
035-196-XXX RAID interface test halt, error threshold exceeded	<ol style="list-style-type: none"> 1. Press F3 to review the log file 2. Re-start the test to reset the log file
035-197-XXX RAID interface test warning	<ol style="list-style-type: none"> 1. Make sure the component that is called out is connected and/or enabled 2. Re-run test 3. Component that is called out in warning statement 4. Component under test
035-198-XXX RAID interface test aborted	<ol style="list-style-type: none"> 1. If a component is called out, make sure it is connected and/or enabled 2. Flash the system and re-test 3. Go to the "Undetermined problems" section
035-199-XXX RAID interface test failed, cause unknown	<ol style="list-style-type: none"> 1. Go to the "Undetermined problems" section 2. Flash the system and re-test 3. Replace component under function test
071-000-XXX Audio port Interface Test Passed	<ol style="list-style-type: none"> 1. No action
071-00X-XXX 071-01X-XXX 071-02X-XXX Audio port error	<ol style="list-style-type: none"> 1. Run Setup 2. Flash the system 3. System board
071-03X-XXX Audio port failure	<ol style="list-style-type: none"> 1. Speakers 2. Microphone 3. Audio card, if installed 4. System board
071-04X-XXX Audio port failure	<ol style="list-style-type: none"> 1. Run Setup 2. Audio card, if installed 3. System board
071-195-XXX Audio port Test aborted by user	<ol style="list-style-type: none"> 1. Information 2. Re-start the test, if necessary
071-196-XXX Audio port test halt, error threshold exceeded	<ol style="list-style-type: none"> 1. Press F3 to review the log file 2. Re-start the test to reset the log file
071-197-XXX Audio port test warning	<ol style="list-style-type: none"> 1. Make sure the component that is called out is connected and/or enabled 2. Re-run test 3. Component that is called out in warning statement 4. Component under test
071-198-XXX Audio port test aborted	<ol style="list-style-type: none"> 1. If a component is called out, make sure it is connected and/or enabled 2. Flash the system and re-test 3. Go to the "Undetermined problems" section

Diagnostic Error Code	FRU/Action
071-199-XXX Audio port test failed, cause unknown	<ol style="list-style-type: none"> 1. Go to the "Undetermined problems" section 2. Flash the system and re-test 3. Replace component under function test
071-25X-XXX Audio port failure	<ol style="list-style-type: none"> 1. Speakers 2. Audio card, if installed 3. System board
080-000-XXX Game Port interface Test Passed	<ol style="list-style-type: none"> 1. No action
080-XXX-XXX Game Port interface Error	<ol style="list-style-type: none"> 1. Remove the game port device and re-test the system
080-195-XXX Game Port interface Test aborted by user	<ol style="list-style-type: none"> 1. Information 2. Re-start the test, if necessary
080-196-XXX Game Port interface test halt, error threshold exceeded	<ol style="list-style-type: none"> 1. Press F3 to review the log file 2. Re-start the test to reset the log file
080-197-XXX Game Port interface test warning	<ol style="list-style-type: none"> 1. Make sure the component that is called out is connected and/or enabled 2. Re-run test 3. Component that is called out in warning statement 4. Component under test
080-198-XXX Game Port interface test aborted	<ol style="list-style-type: none"> 1. If a component is called out, make sure it is connected and/or enabled 2. Flash the system and re-test 3. Go to the "Undetermined problems" section
080-199-XXX Game Port interface test failed, cause unknown	<ol style="list-style-type: none"> 1. Go to the "Undetermined problems" section 2. Flash the system and re-test 3. Replace component under function test
086-000-XXX Mouse Port interface Test Passed	<ol style="list-style-type: none"> 1. No action
086-001-XXX Mouse Port interface Presence	<ol style="list-style-type: none"> 1. Mouse 2. System board
086-032-XXX Mouse Port interface Device controller failure	<ol style="list-style-type: none"> 1. Mouse 2. System board
086-035-XXX Mouse Port interface Reset	<ol style="list-style-type: none"> 1. Mouse 2. System board
086-040-XXX Mouse Port interface IRQ failure	<ol style="list-style-type: none"> 1. Run Setup 2. Mouse 3. System board
086-195-XXX Mouse Port interface Test aborted by user	<ol style="list-style-type: none"> 1. Information 2. Re-start the test, if necessary

Diagnostic Error Code	FRU/Action
086-196-XXX Mouse Port interface test halt, error threshold exceeded	<ol style="list-style-type: none"> 1. Press F3 to review the log file 2. Re-start the test to reset the log file
086-197-XXX Mouse Port interface test warning	<ol style="list-style-type: none"> 1. Make sure the component that is called out is connected and/or enabled 2. Re-run test 3. Component that is called out in warning statement 4. Component under test
086-198-XXX Mouse Port interface test aborted	<ol style="list-style-type: none"> 1. If a component is called out, make sure it is connected and/or enabled 2. Flash the system and re-test 3. Go to the "Undetermined problems" section
086-199-XXX Mouse Port interface test failed, cause unknown	<ol style="list-style-type: none"> 1. Go to the "Undetermined problems" section 2. Flash the system and re-test 3. Replace component under function test
089-000-XXX Microprocessor Test Passed	<ol style="list-style-type: none"> 1. No action
089-XXX-XXX Microprocessor failure	<ol style="list-style-type: none"> 1. Microprocessor(s) 2. System board
089-195-XXX Microprocessor Test aborted by user	<ol style="list-style-type: none"> 1. Information 2. Re-start the test, if necessary
089-196-XXX Microprocessor test halt, error threshold exceeded	<ol style="list-style-type: none"> 1. Press F3 to review the log file 2. Re-start the test to reset the log file
089-197-XXX Microprocessor test warning	<ol style="list-style-type: none"> 1. Make sure the component that is called out is connected and/or enabled 2. Re-run test 3. Component that is called out in warning statement 4. Component under test
089-198-XXX Microprocessor test aborted	<ol style="list-style-type: none"> 1. Flash the system and re-test 2. Go to the "Undetermined problems" section
089-199-XXX Microprocessor test failed, cause unknown	<ol style="list-style-type: none"> 1. If a component is called out, make sure it is connected and/or enabled 2. Go to the "Undetermined problems" section 3. Flash the system and re-test 4. Replace component under function test
170-000-XXX Voltage Sensor(s) Test Passed	<ol style="list-style-type: none"> 1. No action
170-0XX-XXX Voltage Sensor(s) failure	<ol style="list-style-type: none"> 1. Flash system 2. System board

Diagnostic Error Code	FRU/Action
170-195-XXX Voltage Sensor(s) Test aborted by user	<ol style="list-style-type: none"> Information Re-start the test, if necessary
170-196-XXX Voltage Sensor(s) test halt, error threshold exceeded	<ol style="list-style-type: none"> Press F3 to review the log file Re-start the test to reset the log file
170-197-XXX Voltage Sensor(s) test warning	<ol style="list-style-type: none"> Make sure the component that is called out is connected and/or enabled Re-run test Component that is called out in warning statement Component under test
170-198-XXX Voltage Sensor(s) test aborted	<ol style="list-style-type: none"> If a component is called out, make sure it is connected and/or enabled Flash the system and re-test Go to the "Undetermined problems" section
170-199-XXX Voltage Sensor(s) test failed, cause unknown	<ol style="list-style-type: none"> Go to the "Undetermined problems" section Flash the system and re-test Replace component under function test
170-250-XXX 170-251-XXX Voltage Sensor(s) Voltage limit error	<ol style="list-style-type: none"> Power supply System board
170-254-XXX Voltage Sensor(s) Voltage Regulator Module error	<ol style="list-style-type: none"> Voltage Regulator Module (VRM) Microprocessor System board
175-000-XXX Thermal Sensor(s) Test Passed	<ol style="list-style-type: none"> No action
175-0XX-XXX Thermal Sensor(s) failure	<ol style="list-style-type: none"> Flash system System board
175-195-XXX Thermal Sensor(s) Test aborted by user	<ol style="list-style-type: none"> Information Re-start the test, if necessary
175-196-XXX Thermal Sensor(s) test halt, error threshold exceeded	<ol style="list-style-type: none"> Press F3 to review the log file Re-start the test to reset the log file
175-197-XXX Thermal Sensor(s) test warning	<ol style="list-style-type: none"> Make sure the component that is called out is connected and/or enabled Re-run test Component that is called out in warning statement Component under test
175-198-XXX Thermal Sensor(s) test aborted	<ol style="list-style-type: none"> If a component is called out, make sure it is connected and/or enabled Flash the system and re-test Go to "Undetermined problems" section

Diagnostic Error Code	FRU/Action
175-199-XXX Thermal Sensor(s) test failed, cause unknown	<ol style="list-style-type: none"> 1. Go to the "Undetermined problems" section 2. Flash the system and re-test 3. Replace component under function test
175-250-XXX 175-251-XXX Thermal Sensor(s) limit error	<ol style="list-style-type: none"> 1. Check fans 2. Check Power supply 3. Microprocessor 4. System board
185-000-XXX Asset Security Test Passed	<ol style="list-style-type: none"> 1. No action
185-XXX-XXX Asset Security failure	<ol style="list-style-type: none"> 1. Flash system 2. System board
185-278-XXX Asset Security Chassis Intrusion	<ol style="list-style-type: none"> 1. Assure Asset Security Enabled 2. C2 Cover Switch 3. System board
201-000-XXX System Memory Test Passed	<ol style="list-style-type: none"> 1. No action
201-XXX-XXX System Memory error	<ol style="list-style-type: none"> 1. Replace the memory module called out by the test 2. System board
202-000-XXX System Cache Test Passed	<ol style="list-style-type: none"> 1. No action
202-XXX-XXX System Cache error	<ol style="list-style-type: none"> 1. Cache, if removable 2. System board 3. Microprocessor
206-000-XXX Diskette Drive Test Passed	<ol style="list-style-type: none"> 1. No action
206-XXX-XXX Diskette Drive error	<ol style="list-style-type: none"> 1. Diskette Drive Cable 2. Check power supply voltages 3. Diskette drive 4. System board
215-000-XXX CD-ROM Drive Test Passed	<ol style="list-style-type: none"> 1. No action
215-XXX-XXX CD-ROM Drive error	<ol style="list-style-type: none"> 1. CD-ROM Drive Cable 2. Check power supply voltages 3. CD-ROM drive 4. System board
217-000-XXX Hard Disk Drive Test Passed	<ol style="list-style-type: none"> 1. No action
217-25X-XXX 217-26X-XXX Hard Disk Drive (IDE) error	<ol style="list-style-type: none"> 1. Hard Disk Drive Cable 2. Check power supply voltages 3. Hard Disk drive (IDE) 4. System board

Diagnostic Error Code	FRU/Action
217-28X-XXX 217-29X-XXX Hard Disk Drive (SCSI) error	<ol style="list-style-type: none"> 1. Hard Disk Drive Cable 2. Check power supply voltages 3. Hard Disk drive (SCSI) 4. SCSI adapter card 5. System board
220-000-XXX Hi-Capacity Cartridge Drive Test Passed	<ol style="list-style-type: none"> 1. No action
220-XXX-XXX Hi-Capacity Cartridge Drive error	<ol style="list-style-type: none"> 1. Remove the Hi-Capacity Cartridge Drive and re-test the system
301-XXX-XXX Keyboard error	<ol style="list-style-type: none"> 1. Keyboard 2. Check and test mouse 3. System board
301-000-XXX Keyboard Test Passed	<ol style="list-style-type: none"> 1. No action
302-000-XXX Mouse Test Passed	<ol style="list-style-type: none"> 1. No action
302-XXX-XXX Mouse error	<ol style="list-style-type: none"> 1. Mouse 2. Check and test Keyboard 3. System board
303-000-XXX Joystick Test Passed	<ol style="list-style-type: none"> 1. No action
303-XXX-XXX Joystick error	<ol style="list-style-type: none"> 1. Remove the Joystick and re-test the system
305-000-XXX Monitor DDC Test Passed	<ol style="list-style-type: none"> 1. No action
305-250-XXX Monitor DDC self test failure	<ol style="list-style-type: none"> 1. Run Setup to enable DDC 2. Cable 3. Monitor 4. Video card 5. System board
415-000-XXX Modem Test Passed	<ol style="list-style-type: none"> 1. No action
415-XXX-XXX Modem error	<ol style="list-style-type: none"> 1. Remove the Modem and re-test the system

Beep symptoms

Beep symptoms are short tones or a series of short tones separated by pauses (intervals without sound). See the following examples.

Beeps	Description
1-2-X	<ul style="list-style-type: none"> • One beep • A pause (or break) • Two beeps • A pause (or break) • Any number of breaks
4	Four continuous beeps

Use the following table to diagnose beep symptoms.

Beep Symptom	FRU/Action
1-1-3 CMOS read-write error	<ol style="list-style-type: none"> 1. Run Setup 2. System Board
1-2-2-3 ROM BIOS check error	1. System Board
1-2-1 Programmable Interval Timer failed	1. System Board
1-2-2 DMA Initialization failed	1. System Board
1-2-3 DMA page register write/read failed	1. System Board
1-2-4 RAM refresh verification failed	<ol style="list-style-type: none"> 1. DIMM 2. System Board
1-3-3-1 1st 64K RAM test failed	<ol style="list-style-type: none"> 1. DIMM 2. System Board
1-3-2 1st 64K RAM parity test failed	<ol style="list-style-type: none"> 1. DIMM 2. Processor 3. System Board
2-2-3-1 Interrupt vector loading test failed	1. System Board
2-1-1 Secondary DMA register failed	1. System Board
2-1-2 Primary DMA register failed	1. System Board
2-1-3 Primary interrupt mask register failed	1. System Board
2-1-4 Secondary interrupt mask register failed	1. System Board
2-2-1 Interrupt vector loading failed	1. System Board
1-3-1-3 Keyboard controller failed	<ol style="list-style-type: none"> 1. System Board 2. Keyboard
2-2-3 CMOS power failure and checksum checks failed	<ol style="list-style-type: none"> 1. Battery 2. System Board

Beep Symptom	FRU/Action
2-2-4 CMOS configuration info validation failed	1. Battery 2. System Board
2-3-1 Screen initialization failed	1. Jumper on J28 2. System Board
2-3-2 Screen memory failed	1. System Board
2-3-3 Screen retrace failed	1. System Board
1-2 Search for video ROM failed	1. System Board
All other beep code sequences	1. System Board
Continuous beep	1. System Board
Repeating short beeps	1. Keyboard stuck key 2. Keyboard Cable 3. System Board

No-beep symptoms

Symptom/Error	FRU/Action
No beep during POST but computer works correctly.	1. System Board
No beep during POST.	1. See “Undetermined problems” on page 87. 2. System Board 3. Memory Module 4. Any Adapter or Device 5. Riser Card 6. Power Cord 7. Power Supply

POST error codes

Each time you power-on the system, it performs a series of tests that check the operation of the system and some options. This series of tests is called the *Power-On Self-Test*, or *POST*. POST does the following operations.

- Checks some basic system-board operations
- Checks the memory operation
- Starts the video operation
- Verifies that the diskette drive is working
- Verifies that the hard disk drive is working

If the POST finishes without detecting any problems, a single beep sounds and the first screen of the operating system or application program appears.

Note:

Type 6029 computers default to come up quiet (no beep and no memory count and checkpoint code display) when no errors are detected by POST.

To enable beep and memory count and checkpoint code display when a successful POST occurs, do the following:

1. Select **Start Options** in the Configuration/Setup Utility program (see "Setup Utility program" on page 14).
2. Set **Power-On Self-Test** to **Enhanced**.

If the POST detects a problem, an error message appears on the screen. A single problem can cause several error messages to appear. When you correct the cause of the first error message, the other error messages probably will not appear on the screen the next time you turn on the system.

In the following index, *X* can represent any number.

POST Error Code	FRU/Action
000 SCSI Adapter not enabled	1. Verify adapter device and Bus Master fields are enabled in PCI configuration program. See documentation shipped with computer.
02X	1. SCSI Adapter
08X Check SCSI terminator installation.	1. SCSI Cable 2. SCSI Terminator 3. SCSI Device 4. SCSI Adapter
101 System board interrupt failure	1. System Board
102 System board timer error	1. System Board
106	1. System Board
110 System board memory parity error	1. Memory Module 2. System Board

POST Error Code	FRU/Action
111 I/O channel parity error	<ol style="list-style-type: none"> Reseat adapters Any adapter Riser card System Board
114 Adapter ROM error	<ol style="list-style-type: none"> Adapter Memory System Board Riser card
129 Internal cache test error	<ol style="list-style-type: none"> Processor L2 Cache Memory System Board
135 Fan failure	<ol style="list-style-type: none"> Fan System board
151 System board failure	<ol style="list-style-type: none"> System Board
161 Bad CMOS battery	<ol style="list-style-type: none"> Run Setup CMOS Backup Battery (see "Safety information" on page 187) System Board
162 Configuration mismatch	<ol style="list-style-type: none"> Run Setup and verify Configuration Had a device been added, removed, changed location? If not, suspect that device. Power-on external devices first, then power-on computer CMOS Backup Battery (see "Safety information" on page 187) System Board System Board
163 Date and Time Incorrect	<ol style="list-style-type: none"> Time and Date Set CMOS Backup Battery (see "Safety information" on page 187) System Board
164 Memory Size Error	<ol style="list-style-type: none"> Run Setup. Check System Summary menu for memory size change. (See "Setup Utility program" on page 14.) Run the Extended Memory Diagnostic tests
166 Boot Block Check Sum Error	<ol style="list-style-type: none"> Run Flash Recovery using Boot Block. See "Flash recovery boot block jumper" on page 183. System Board
167 No Processor BIOS Update Found	<ol style="list-style-type: none"> Run Setup. Check Stepping level for the BIOS level needed, then perform the flash update. Processor

POST Error Code	FRU/Action
168 Alert on LAN error	<ol style="list-style-type: none"> 1. Run Setup. Check to see that Ethernet and Alert on LAN are enabled. 2. System Board
17X, 18X	<ol style="list-style-type: none"> 1. C2 Security
175 Primary Copy of Secure Data is damaged	<ol style="list-style-type: none"> 1. Run Configuration. See "Setup Utility program" on page 14. 2. System Board
176 The System has been tampered with	<ol style="list-style-type: none"> 1. Covers were removed from the computer
177 Corrupted Administrator Password	<ol style="list-style-type: none"> 1. System Board
178	<ol style="list-style-type: none"> 1. System Board
179 Boot Integrity Services Segment Error	<ol style="list-style-type: none"> 1. System Board
183	<ol style="list-style-type: none"> 1. Enter the administrator password
184 Asset Control Antenna not detected	<ol style="list-style-type: none"> 1. Make sure Asset Care and Asset ID are enabled in Configuration/Setup 2. RFID Antenna 3. System Board
185 Corrupted boot sequence	<ol style="list-style-type: none"> 1. Set configuration and reinstall the boot sequence
186 Security Hardware Control Logic Error	<ol style="list-style-type: none"> 1. System Board
187	<ol style="list-style-type: none"> 1. Clear Administration password 2. System Board
189	<ol style="list-style-type: none"> 1. More than three password attempts were made to access the computer
190 System Security: Invalid Remote Change Requested	<ol style="list-style-type: none"> 1. System Board
191 System Security: IBM Embedded Security Hardware Reset	<ol style="list-style-type: none"> 1. System Board
193 System Security: IBM Embedded Security Hardware Removed	<ol style="list-style-type: none"> 1. System Board
194 System Security: Asset ID Antenna has been Removed	<ol style="list-style-type: none"> 1. System Board
195 System Security: Asset ID Antenna has been Installed	<ol style="list-style-type: none"> 1. System Board
196 System Tampered Cleared	<ol style="list-style-type: none"> 1. System Board
1XX Not listed above	<ol style="list-style-type: none"> 1. System Board
201, 20X Memory data error	<ol style="list-style-type: none"> 1. Run Enhanced Diagnostics Memory Test 2. Memory Module 3. System Board

POST Error Code	FRU/Action
225	1. Unsupported Memory
229 External cache test error	1. L2 Cache Memory 2. System Board
262 POST detected a base memory or extended memory type error	1. Run Setup. Check System Summary menu for memory. (See "Setup Utility program" on page 14.) 2. Run the Extended Memory Diagnostic tests.
301 Keyboard Error	1. Keyboard 2. Keyboard Cable 3. System Board
303 With an 8603 error	1. Mouse 2. Keyboard 3. Keyboard Cable 4. System Board
303 With no 8603 error	1. Keyboard 2. Keyboard Cable 3. System Board
3XX Not listed above	1. Keyboard 2. Keyboard Cable 3. System Board
5XX	1. Video Adapter (if installed) 2. System Board
601	1. Diskette Drive A 2. Diskette Drive Cable 3. System Board 4. Riser card
602	1. Bad Diskette? 2. Verify Diskette and retry
604 And able to run diagnostics	1. Run Setup and verify diskette configuration settings 2. Diskette Drive A/B 3. Diskette Drive Cable 4. System Board 5. Riser card
605 POST cannot unlock the diskette drive	1. Diskette Drive 2. Diskette Drive Cable 3. System Board 4. Riser card
662 Configuration Change has occurred	1. Diskette drive configuration error or wrong diskette drive type; run Setup Configuration

POST Error Code	FRU/Action
6XX Not listed above	<ol style="list-style-type: none"> 1. Diskette Drive 2. System Board 3. Riser card 4. External Drive Adapter 5. Diskette Drive Cable 6. Power Supply
762 Math coprocessor configuration error	<ol style="list-style-type: none"> 1. Run Setup 2. Processor 3. System Board
7XX Not listed above	<ol style="list-style-type: none"> 1. Processor 2. System Board
962 Parallel port configuration error	<ol style="list-style-type: none"> 1. Run Configuration 2. Parallel Adapter (if installed) 3. System Board
9XX	<ol style="list-style-type: none"> 1. Printer 2. System Board
1047	<ol style="list-style-type: none"> 1. 16-Bit AT™ Fast SCSI Adapter
107X Check SCSI terminator installation	<ol style="list-style-type: none"> 1. Check SCSI terminator installation 2. SCSI Cable 3. SCSI Terminator 4. SCSI Device 5. SCSI Adapter
1101 Serial connector error, possible system board failure	<ol style="list-style-type: none"> 1. Run Enhanced Diagnostics
1101, 1102, 1106, 1108, 1109	<ol style="list-style-type: none"> 1. System Board 2. Any Serial Device
1107	<ol style="list-style-type: none"> 1. Communications Cable 2. System Board
1102 Card selected feedback error	<ol style="list-style-type: none"> 1. Run Enhanced Diagnostics
1103 Port fails register check	<ol style="list-style-type: none"> 1. Run Enhanced Diagnostics 2. System Board
1106 Serial option cannot be turned off	<ol style="list-style-type: none"> 1. Run Enhanced Diagnostics 2. System Board
1107	<ol style="list-style-type: none"> 1. Serial Device Cable 2. System Board
1110 Register test failed	<ol style="list-style-type: none"> 1. Run Enhanced Diagnostics 2. System Board
1116 Interrupt error	<ol style="list-style-type: none"> 1. Run Enhanced Diagnostics

POST Error Code	FRU/Action
1117 Failed baud rate test	1. Run Enhanced Diagnostics
1162 Serial port configuration error	1. Run Configuration 2. Serial Adapter (if installed) 3. System Board
11XX Not listed above	1. System Board
1201	1. System Board 2. Any Serial Device
1202, 1206, 1208, 1209, 12XX	1. Dual Async Adapter/A 2. System Board 3. Any Serial Device
1207	1. Communications Cable 2. Dual Async Adapter/A
13XX	1. Game Adapter
1402 Printer not ready	Information only
1403 No paper error, or interrupt failure	Information only
1404 System board timeout failure	1. Run Enhanced Diagnostics
1405 Parallel adapter error	1. Run Enhanced Diagnostics
1406 Presence test error	1. Run Enhanced Diagnostics
14XX Not listed above. Check printer before replacing system board	1. Printer 2. System Board
15XX	1. SDLC Adapter
1692 Boot sequence error	1. Run FDISK to ensure at least one active partition is set active
16XX	1. 36/38 Workstation Adapter
1762 Hard disk drive configuration error	1. Run Configuration. (See "Setup Utility program" on page 14.)
1780 (Disk Drive 0) 1781 (Disk Drive 1) 1782 (Disk Drive 2) 1783 (Disk Drive 3)	1. Hard Disk Drive 2. System Board 3. Riser card 4. Hard Disk Cable 5. Power Supply

POST Error Code	FRU/Action
1800 PCI/PnP Error! No Hardware Interrupt Available	<ol style="list-style-type: none"> 1. Run Setup and verify PCI/ISA configuration settings. 2. If necessary, set ISA adapters to <i>Not available</i> to allow PCI adapters to properly configure. 3. Remove any suspect ISA adapters. 4. Rerun diagnostics. 5. PCI Adapter
1801 PCI/PnP Error! No Space Available to Shadow ROM	<ol style="list-style-type: none"> 1. Run Setup and verify PCI/ISA configuration settings. 2. If necessary, set ISA adapters to <i>Not available</i> to allow PCI adapters to properly configure. 3. Remove any suspect ISA adapters. 4. Rerun diagnostics. 5. PCI Adapter
1802 PCI/PnP Error! Not Enough I/O Space Available	<ol style="list-style-type: none"> 1. Run Setup and verify PCI/ISA configuration settings. 2. If necessary, set ISA adapters to <i>Not available</i> to allow PCI adapters to properly configure. 3. Remove any suspect ISA adapters. 4. Rerun diagnostics. 5. PCI Adapter
1803 PCI/PnP Error! Not Enough Memory Space Available	<ol style="list-style-type: none"> 1. Run Setup and verify PCI/ISA configuration settings. 2. If necessary, set ISA adapters to <i>Not available</i> to allow PCI adapters to properly configure. 3. Remove any suspect ISA adapters. 4. Rerun diagnostics. 5. PCI Adapter
1804 PCI/PnP Error! Not Enough Real Memory Space Available	<ol style="list-style-type: none"> 1. Run Setup and verify PCI/ISA configuration settings. 2. If necessary, set ISA adapters to <i>Not available</i> to allow PCI adapters to properly configure. 3. Remove any suspect ISA adapters. 4. Rerun diagnostics. 5. PCI Adapter
1805 PCI/PnP Error! Adapter ROM Checksum Error	<ol style="list-style-type: none"> 1. Run Setup and verify PCI/ISA configuration settings. 2. If necessary, set ISA adapters to <i>Not available</i> to allow PCI adapters to properly configure. 3. Remove any suspect ISA adapters. 4. Rerun diagnostics. 5. PCI Adapter

POST Error Code	FRU/Action
180X, 188X PCI configuration or resource error	<ol style="list-style-type: none"> 1. Run Setup and verify PCI/ISA configuration settings. 2. If necessary, set ISA adapters to <i>Not available</i> to allow PCI adapters to properly configure. 3. Remove any suspect ISA adapters. 4. Rerun diagnostics. 5. PCI Adapter
1962 No operating system found	<ol style="list-style-type: none"> 1. Press F1 to repeat boot sequence.
209X	<ol style="list-style-type: none"> 1. Diskette Drive 2. Diskette Cable
20XX Not listed above	<ol style="list-style-type: none"> 1. BSC Adapter
21XX	<ol style="list-style-type: none"> 1. SCSI Device 2. 16-bit AT Fast SCSIU adapter 3. Alternate BSC adapter
2401, 2402 If screen colors change	<ol style="list-style-type: none"> 1. Display
2401, 2402 If screen colors are OK	<ol style="list-style-type: none"> 1. System Board 2. Display
2409	<ol style="list-style-type: none"> 1. Display
2410	<ol style="list-style-type: none"> 1. System Board 2. Display
2462 Video memory configuration error	<ol style="list-style-type: none"> 1. Check cable connections 2. Run Setup and verify video configuration settings 3. Video Memory Modules 4. Video Adapter (if installed) 5. System Board
4611, 4630	<ol style="list-style-type: none"> 1. Multiport/2 Interface Board 2. Multiport/2 Adapter
4612, 4613, 4640, 4641	<ol style="list-style-type: none"> 1. Memory Module Package 2. Multiport/2 Adapter
4650	<ol style="list-style-type: none"> 1. Multiport/2 Interface Cable
46XX Not listed above	<ol style="list-style-type: none"> 1. Multiport/2 Adapter 2. Multiport/2 Interface Board 3. Memory Module
5600	<ol style="list-style-type: none"> 1. Financial System Controller Adapter

POST Error Code	FRU/Action
5962 An IDE device (other than hard drive) configuration error	<ol style="list-style-type: none"> 1. Run Configuration 2. CD-ROM Drive 3. CD-ROM Adapter 4. Zip or other ATAPI device 5. System Board 6. Riser card
62XX	<ol style="list-style-type: none"> 1. 1st Store Loop Adapter 2. Adapter Cable
63XX	<ol style="list-style-type: none"> 1. 2nd Store Loop Adapter 2. Adapter Cable
64XX	<ol style="list-style-type: none"> 1. Network Adapter
71XX	<ol style="list-style-type: none"> 1. Voice Adapter
74XX	<ol style="list-style-type: none"> 1. Video Adapter (if installed)
76XX	<ol style="list-style-type: none"> 1. Page Printer Adapter
78XX	<ol style="list-style-type: none"> 1. High Speed Adapter
79XX	<ol style="list-style-type: none"> 1. 3117 Adapter
80XX	<ol style="list-style-type: none"> 1. PCMCIA Adapter
84XX	<ol style="list-style-type: none"> 1. Speech Adapter 2. Speech Control Assembly.
8601, 8602	<ol style="list-style-type: none"> 1. Pointing Device (Mouse) 2. System Board
8603, 8604 Pointing Device Error	<ol style="list-style-type: none"> 1. System Board 2. Pointing Device (Mouse)
86XX Not listed above	<ol style="list-style-type: none"> 1. Mouse 2. System Board
89XX	<ol style="list-style-type: none"> 1. PC Music Adapter 2. MIDI Adapter Unit
91XX	<ol style="list-style-type: none"> 1. Optical Drive 2. Adapter
96XX	<ol style="list-style-type: none"> 1. SCSI Adapter 2. Any SCSI Device 3. System Board 4. Riser card
10101, 10102, 10104, 10105, 10106, 10107, 10108, 10109, 10111, 10112, 10113, 10114, 10115, 10116	<ol style="list-style-type: none"> 1. Have customer verify correct operating system device drivers are installed and operational. 2. Modem

POST Error Code	FRU/Action
10103, 10110, 101171	<ol style="list-style-type: none"> 1. System Board 2. Data/Fax Modem 3. Riser card
10117 Not listed above	<ol style="list-style-type: none"> 1. Check system speaker 2. Check PSTN cable 3. External DAA (if installed) 4. Modem
10118	<ol style="list-style-type: none"> 1. Run Diagnostics and verify the correct operation of the modem slot 2. Modem
10119	<ol style="list-style-type: none"> 1. Diagnostics detected a non-IBM modem 2. Modem
10120	<ol style="list-style-type: none"> 1. Check PSTN Cable 2. External DAA (if installed) 3. Modem
10132, 10133, 10134, 10135, 10136, 10137, 10138, 10139, 10140, 10141, 10142, 10143, 10144, 10145, 10146, 10147, 10148, 10149, 10150, 10151, 10152	<ol style="list-style-type: none"> 1. Modem
10153	<ol style="list-style-type: none"> 1. Data/Fax Modem 2. System Board 3. Riser card
101XX Not listed above	<ol style="list-style-type: none"> 1. Modem Adapter/A 2. Data/Fax Modem 3. System Board 4. Riser card
10450, 10451, 10490, 10491, 10492, 10499 Read/write error	<ol style="list-style-type: none"> 1. Run Enhanced Diagnostics 2. Hard Disk Drive 3. System Board 4. Riser card
10452 Seek test error	<ol style="list-style-type: none"> 1. Run Enhanced Diagnostics
10453 Wrong drive type?	Information only
10454 Sector buffer test error	<ol style="list-style-type: none"> 1. Run Enhanced Diagnostics
10455, 10456 Controller error	<ol style="list-style-type: none"> 1. Run Enhanced Diagnostics
10459 Drive diagnostic command error	Information only

POST Error Code	FRU/Action
10461 Drive format error	1. Run Enhanced Diagnostics
10462 Controller seek error	1. Run Enhanced Diagnostics
10464 Hard Drive read error	1. Run Enhanced Diagnostics
10467 Drive non-fatal seek error	1. Run Enhanced Diagnostics
10468 Drive fatal seek error	1. Run Enhanced Diagnostics
10469 Drive soft error count exceeded	1. Run Enhanced Diagnostics
10470, 10471, 10472 Controller wrap error	1. Run Enhanced Diagnostics
10473 Corrupt data. Low level format might be required	Information only
10480	1. Hard Disk Drive (ESDI) 2. Drive Cable 3. System Board
10481 ESDI drive D seek error	1. Run Enhanced Diagnostics
10482 Drive select acknowledgement bad	1. Run Enhanced Diagnostics
106X1	1. Check Configuration 2. Ethernet Adapter
10635	1. Power-off computer, wait ten seconds then power-on the computer 2. Ethernet Adapter
10651, 10660	1. Check Cables 2. Ethernet Adapter
106XX Not listed above	1. Ethernet Adapter
107XX	1. 5.25-inch External Diskette Drive 2. 5.25-inch Diskette Drive Adapter/A
109XX Check the adapter cables	1. ActionMedia Adapter/A 2. System Board 3. Riser card
112XX This adapter does not have cache	1. SCSI Adapter 2. Any SCSI Device 3. System Board 4. Riser card

POST Error Code	FRU/Action
119XX	1. 3119 Adapter
121XX	1. Modem Adapter 2. Any Serial Device 3. System Board 4. Riser card
136XX	1. ISDN Primary Rate Adapter 2. System Board 3. Riser card
137XX	1. System Board
141XX	1. Realtime Interface Coprocessor Portmaster Adapter/A
143XX	1. Japanese Display Adapter 2. System Board 3. Riser card
14710, 14711	1. System Board Video Adapter 2. Adapter Video Memory
148XX	1. Video Adapter
14901, 14902, 1491X, 14922	1. Video Adapter (if installed) 2. System Board 3. Riser card 4. Display (any type)
14932	1. External Display 2. Video Adapter
161XX	1. FaxConcentrator Adapter
164XX	1. 120 MB Internal Tape Drive 2. Diskette Cable 3. System Board 4. Riser card
16500	1. 6157 Tape Attachment 2. Adapter
16520, 16540	1. 6157 Streaming Tape Drive 2. 6157 Tape Attachment Adapter
166XX, 167XX	1. Token Ring Adapter 2. System Board 3. Riser card
18001 to 18029	1. Wizard Adapter 2. Wizard Adapter Memory
18031 to 18039	1. Wizard Adapter Cable

POST Error Code	FRU/Action
185XXXX	<ol style="list-style-type: none"> 1. DBCS Japanese Display Adapter/A 2. System Board 3. Riser card
20001 to 20003	<ol style="list-style-type: none"> 1. Image Adapter/A Image-I Adapter/A 2. Memory Module DRAM, VRAM
20004	<ol style="list-style-type: none"> 1. Memory Module DRAM, VRAM 2. Image Adapter/A Image-I Adapter/A
20005 to 20010	<ol style="list-style-type: none"> 1. Image Adapter/A Image-I Adapter/A 2. Memory Module DRAM, VRAM
200XX Not listed above	<ol style="list-style-type: none"> 1. Image Adapter/A 2. Image-I Adapter/A 3. Memory Module DRAM, VRAM 4. System Board 5. Riser card
20101 to 20103	<ol style="list-style-type: none"> 1. Printer/Scanner Option 2. Image Adapter/A 3. Memory Module DRAM, VRAM
20104	<ol style="list-style-type: none"> 1. Memory Module DRAM, VRAM 2. Printer/Scanner Option 3. Image Adapter/A
20105 to 20110	<ol style="list-style-type: none"> 1. Printer/Scanner Option 2. Image Adapter/A 3. Memory Module DRAM, VRAM
Image Adapter/A Memory Test failure indicated by graphic of adapter	<ol style="list-style-type: none"> 1. Replace memory module (shown in graphic)
206XX	<ol style="list-style-type: none"> 1. SCSI-2 Adapter 2. Any SCSI Device 3. System Board 4. Riser card
208XX Verify there are no duplicate SCSI ID settings on the same bus.	<ol style="list-style-type: none"> 1. Any SCSI Device
210XXXX Internal bus, size unknown 210XXX1 External bus, size unknown	<ol style="list-style-type: none"> 1. SCSI Hard Disk Drive 2. SCSI Adapter or System Board 3. SCSI Cable 4. SCSI ID Switch (on some models)
Tape Drive amber LED remains on	<ol style="list-style-type: none"> 1. Tape Drive 2. SCSI Cable (internal) 3. SCSI Adapter or System Board

POST Error Code	FRU/Action
Tape Drive green "in use" LED fails to come on	<ol style="list-style-type: none"> 1. Tape Drive 2. SCSI Adapter or System Board 3. SCSI Cable (internal) 4. SCSI Cable (external)
Tape automatically ejected from drive	<ol style="list-style-type: none"> 1. Tape Cassette Drive
SCSI ID on rotary switch does not match SCSI ID set in configuration. Verify drive switches inside cover are set to zero	<ol style="list-style-type: none"> 1. Rotary Switch Circuit Board 2. Circuit Board Cable 3. Tape Drive
Tape sticks or breaks in drive. Verify that the tapes used meet ANSI standard X3B5	<ol style="list-style-type: none"> 1. Tape Cassette
212XX	<ol style="list-style-type: none"> 1. SCSI Printer 2. Printer Cable
213XX	<ol style="list-style-type: none"> 1. SCSI Processor
214XX	<ol style="list-style-type: none"> 1. WORM Drive
215XXXC, 215XXXD, 215XXXE, 215XXXU If an external device, and power-on LED is off, check external voltages	<ol style="list-style-type: none"> 1. CD-ROM Drive I 2. CD-ROM Drive II Enhanced CD-ROM Drive II Any CD-ROM Drive 3. SCSI Cable 4. SCSI Adapter or System Board
216XX	<ol style="list-style-type: none"> 1. Scanner
217XX If an external device, and power-on LED is off, check external voltages	<ol style="list-style-type: none"> 1. Rewritable Optical Drive 2. SCSI Adapter or System Board 3. SCSI Cable
218XX Check for multi CD tray or jukebox	<ol style="list-style-type: none"> 1. Changer
219XX	<ol style="list-style-type: none"> 1. SCSI Communications Device
24201Y0, 24210Y0 Be sure wrap plug is attached	<ol style="list-style-type: none"> 1. ISDN/2 Adapter 2. ISDN/2 Wrap Plug 3. ISDN/2 Communications Cable
273XX	<ol style="list-style-type: none"> 1. 1 Mbps Micro Channel 2. Infrared LAN Adapter
27501, 27503, 27506, 27507	<ol style="list-style-type: none"> 1. ServerGuard Adapter 2. System Board 3. Riser card
27502, 27504, 27510, 27511, 27533, 27534, 27536, 27537	<ol style="list-style-type: none"> 1. ServerGuard Adapter
27509	<ol style="list-style-type: none"> 1. Remove redundant adapters, run Auto Configuration program, then retest.

POST Error Code	FRU/Action
27512	<ol style="list-style-type: none"> 1. WMSELF.DGS diagnostics file is missing 2. WMSELF.DGS diagnostics file is incorrect
27535	<ol style="list-style-type: none"> 1. 3V Lithium Backup Battery 2. ServerGuard Adapter
27554	<ol style="list-style-type: none"> 1. Internal Temperature out of range 2. ServerGuard Adapter
27555, 27556	<ol style="list-style-type: none"> 1. ServerGuard Adapter 2. Power Supply
27557	<ol style="list-style-type: none"> 1. 7.2V NiCad Main Battery Pack 2. ServerGuard Adapter
27558, 27559, 27560, 27561	<ol style="list-style-type: none"> 1. PCMCIA Type II Modem 2. ServerGuard Adapter
27562	<ol style="list-style-type: none"> 1. External Power Control not connected 2. External Power Control 3. ServerGuard Adapter
27563, 27564	<ol style="list-style-type: none"> 1. External Power Control 2. ServerGuard Adapter
275XX	<ol style="list-style-type: none"> 1. Update Diagnostic Software
27801 to 27879	<ol style="list-style-type: none"> 1. Personal Dictation System 2. Adapter 3. System Board
27880 to 27889	<ol style="list-style-type: none"> 1. External FRU (Speaker, Microphone)
999030X Hard disk reset failure	<ol style="list-style-type: none"> 1. Possible hard disk drive problem; see "Hard disk drive boot error" on page 47.

Miscellaneous error messages

Message/Symptom	FRU/Action
CMOS Backup Battery inaccurate	<ol style="list-style-type: none"> 1. CMOS Backup Battery (see “Safety information” on page 187) 2. System Board
Changing colors	<ol style="list-style-type: none"> 1. Display
Computer will <i>not</i> power-off. See “Power Supply Errors” on page 47.	<ol style="list-style-type: none"> 1. Power Switch 2. System Board 3. Riser card
Computer will <i>not</i> RPL from server	<ol style="list-style-type: none"> 1. Ensure that network is in startup sequence as first device or first device after diskette 2. Ensure that network adapter is enabled for RPL 3. Network adapter (Advise network administrator of new MAC address)
Computer will <i>not</i> Wake On LAN (if applicable)	<ol style="list-style-type: none"> 1. Check power supply and signal cable connections to network adapter 2. Ensure that the operating system settings are set to enable Wake on LAN 3. Ensure Wake On LAN feature is enabled in Setup/Configuration (see “Setup Utility program” on page 14) 4. Ensure network administrator is using correct MAC address 5. Ensure no interrupt or I/O address conflicts 6. Network adapter (advise network administrator of new MAC address)
Dead computer. See “Power Supply Errors” on page 47.	<ol style="list-style-type: none"> 1. Power Supply 2. System Board 3. Riser card
Diskette drive in-use light remains on or does not light when drive is active.	<ol style="list-style-type: none"> 1. Diskette Drive 2. System Board 3. Diskette Drive Cable 4. Riser card
Flashing cursor with an otherwise blank display.	<ol style="list-style-type: none"> 1. System Board 2. Primary Hard Disk Drive 3. Hard Disk Drive Cable 4. Riser card
Incorrect memory size during POST	<ol style="list-style-type: none"> 1. Run the Memory tests 2. Memory Module 3. System Board

Message/Symptom	FRU/Action
"Insert a Diskette" icon appears with a known-good diagnostics diskette in the first 3.5-inch diskette drive.	<ol style="list-style-type: none"> 1. System Board 2. Diskette Drive Cable 3. Riser card 4. Network Adapter
Intensity or color varies from left to right of characters and color bars	<ol style="list-style-type: none"> 1. Display 2. System Board
No power or fan not running	1. See "Power Supply Errors" on page 47.
Non-system disk or disk error-type message with a known-good diagnostic diskette.	<ol style="list-style-type: none"> 1. Diskette Drive 2. System Board 3. Diskette Drive Cable 4. Riser card
Other display symptoms not listed above (including blank or illegible display)	<ol style="list-style-type: none"> 1. Display 2. System Board
Power-on indicator or hard disk drive in-use light not on, but computer works correctly	<ol style="list-style-type: none"> 1. Power Supply 2. System Board 3. LED Cables
Printer problems	1. Printer
Program loads from the hard disk with a known-good diagnostics diskette in the first 3.5-inch diskette drive	<ol style="list-style-type: none"> 1. Run Setup 2. Diskette Drive 3. Diskette Drive Cable 4. System Board 5. Riser card 6. Power Supply
RPL computer cannot access programs from its own hard disk.	<ol style="list-style-type: none"> 1. If network administrator is using LCCM Hybrid RPL, check startup sequence: <ol style="list-style-type: none"> a. First device - network b. Second device - hard disk 2. Hard disk drive
RPL computer does not RPL from server	<ol style="list-style-type: none"> 1. Check startup sequence 2. Check the network adapter LED status
Serial or parallel port device failure (system board port)	<ol style="list-style-type: none"> 1. External Device Self-Test OK? 2. External Device 3. Cable 4. System Board
Serial or parallel port device failure (adapter port)	<ol style="list-style-type: none"> 1. External Device Self-Test OK? 2. External Device 3. Cable 4. Alternate Adapter 5. System Board

Message/Symptom	FRU/Action
Some or all keys on the keyboard do not work	<ol style="list-style-type: none"> 1. Keyboard 2. Keyboard Cable 3. System Board

Undetermined problems

Check the power supply voltages (see “Power Supply Errors” on page 47. If the voltages are correct, return here and continue with the following steps.

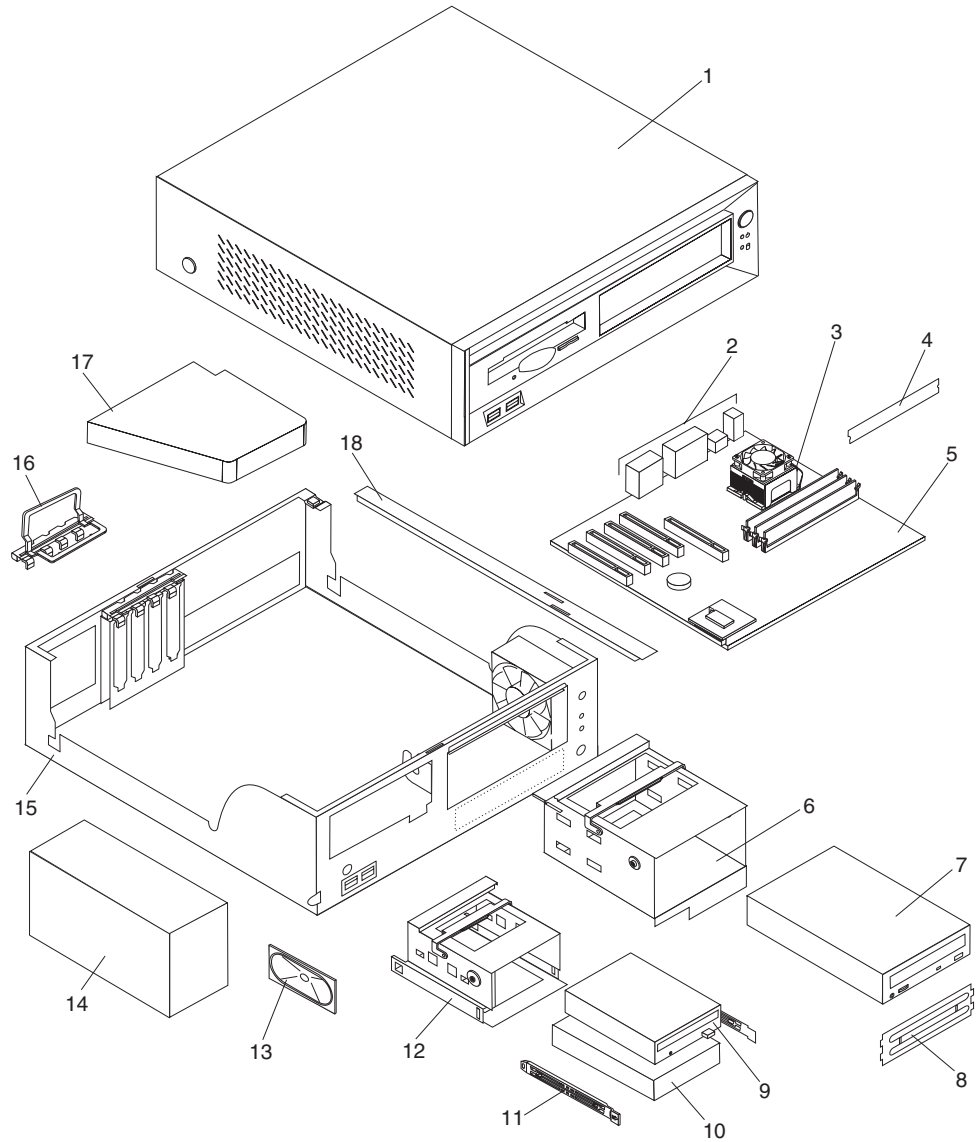
1. Power-off the computer.
2. Remove or disconnect the following components (if installed) one at a time.
 - a. Non-IBM devices
 - b. External devices (modem, printer, or mouse)
 - c. Any adapters
 - d. Riser card
 - e. Memory modules
 - f. Extended video memory
 - g. External Cache
 - h. External Cache RAM
 - i. Hard disk drive
 - j. Diskette drive
3. Power-on the computer to re-test the system.
4. Repeat steps 1 through 3 until you find the failing device or adapter.

If all devices and adapters have been removed, and the problem continues, replace the system board.

Chapter 8. FRU listing

Small Desktop Model

Types 6043, 6343, 6790, and 6791



Machine Type 6043		
1	Top Cover Assembly (Stealth Black) (models KAU KAS KAD KAG KAP KAY)	49P0174
1	Top Cover Assembly (Pearl white) (models KAA KAJ KAW KAN KAR)	49P0173
2	Planar EMC Shield Kit (all models)	25P0078
3	Microprocessor - Intel P4 1.8GHz (models KAU KAS KAA KAJ KAD KAG KAP KAY KAW KAN KAR)	33P0965

	Machine Type 6043	
3	Fan Sink (1.3 - 1.8GHz) (models KAU KAS KAA KAJ KAD KAG KAP KAY KAW KAN KAR)	32P4004
3	Retention module kit (all models)	24P4811
4	256MB Memory (models KAU KAS KAA KAJ KAD KAG KAP KAY KAW KAN KAR)	10K0060
5	System Board W/O POV2 Card (models KAU KAS KAA KAJ KAD KAG KAP KAY KAW KAN KAR)	73P0544
6	5.25-in. DASD Bracket (all models)	24P9875
7	CD-ROM Drive (48X - BLACK) (models KAU KAS KAD KAG KAP KAY)	33P3203
7	CD-ROM Drive (48X - BLACK) (models KAU KAS KAD KAG KAP KAY)	33P3207
7	CD-ROM Drive (48X - BLACK) (models KAU KAS KAD KAG KAP KAY)	33P3215
7	CD-ROM Drive (48X - BLACK) (models KAU KAS KAD KAG KAP KAY)	33P3211
7	CD-ROM Drive (48X - WHITE) (models KAA KAJ KAW KAN KAR)	33P3201
7	CD-ROM Drive (48X - WHITE) (models KAA KAJ KAW KAN KAR)	33P3205
7	CD-ROM Drive (48X - WHITE) (models KAA KAJ KAW KAN KAR)	33P3209
8	5.25-in. EMC Shield (all models)	19K5548
9	3.5-in. 1.44 M 2-mode Floppy Disk Drive (models KAU KAS KAD KAG KAP KAY KAW KAN KAR)	75H9550
9	3.5-in. 1.44 M 2-mode Floppy Disk Drive (models KAA KAJ)	19K1543
10	40GB Hard Drive 7200rpm EIDE ATA-100 (models KAU KAS KAA KAJ KAD KAG KAP KAY KAW KAN KAR)	19K1568
11	DASD Rail Soft Mount Assembly (blue) (all models)	19K5331
11	DASD Rail Soft Mount Assembly (yellow) (all models)	23P1327
12	3.5-in. Floppy Disk Drive Bracket (all models)	24P9874
13	Speaker Assembly (all models)	00N5151
14	Power Supply 160W PFC (models KAU KAS KAA KAJ KAD KAG KAY KAW KAR)	24P6829
14	Power Supply 160W Wide Ranging (models KAP KAN)	49P2131
15	Basic Chassis Assembly (all models)	49P0175
16	I/O Cam Bracket (all models)	24P9869
17	Air Duct (all models)	49P0163
18	Link Bracket (all models)	25P5032
	Air duct w/fan (all models)	24P9880
	Battery 3.0V (all models)	33F8354
	Retention Module Kit (all models)	24P4811
	Dual USB Cable (all models)	22P1188
	Planar Locating Label (all models)	24P9864

Machine Type 6043		
Bezel Kit (Pearl white) (models KAA KAJ KAW KAN KAR)		24P9867
Bezel Kit (Stealth Black) (models KAU KAS KAD KAG KAP KAY)		24P9868
Primary IDE Cable (all models)		24P9870
Floppy Disk Drive Cable (all models)		24P9871
Secondary IDE Cable (all models)		24P9872
Pivot Lock 3.5-in. Floppy Disk Drive (all models)		24P9876
Pivot Lock 5.25-in. DASD (all models)		24P9877
Misc. Hardware Kit (all models)		24P9878
CD-ROM Audio Cable (all models)		75H9219
Power/LED Cable Assembly (all models)		37L5092
Bottom Foot (models KAU KAS KAD KAG KAP KAY)		03K9655
Bottom Foot, white (models KAA KAJ KAW KAN KAR)		25P5035
Stand (Stealth Black) (models KAU KAS KAD KAG KAP KAY)		25P5033
Stand (Pearl White) (models KAA KAJ KAW KAN KAR)		25P5034
Mouse 2-button PS/2 (Black) (all models KAU KAS KAD KAP KAY)		10L6149
Mouse 2-button PS/2 (White) (all models KAA KAJ KAW KAN KAR)		10L6145
16MB nVidia Vanta 4XAGP (all models)		25P4058

Recovery CDs Win 2000 - Machine Type 6043		
US (models KAU KAS KAA KAD KAG KAP KAY KAW KAN KAR)		TBD
Japan (models KAJ)		TBD

Keyboards (PC Next) - Machine Type 6043		
US English (Black) (models KAU KAS KAD KAP KAY)		02K0860
US English (White) (models KAA KAW KAN KAR)		02K0805
Japan (White) (models KAJ)		02K0844

Power Cords - Machine Type 6043		
Line Cord (models KAU KAS KAA KAG KAP KAW)		6952301
Line Cord (models KAA)		13F9939
Line Cord (models KAG KAA KAR)		13F9978
Line Cord (models KAG KAA)		14F0032
Line Cord (models KAG)		13F9996
Line Cord (models KAS KAP KAY KAG)		14F0068
Line Cord (models KAY)		36L8879
Line Cord (models KAJ)		1838576
Line Cord (models KAN)		02K0545

Power Cords - Machine Type 6043		
	Line Cord (models KAG)	14F0086
	Line Cord (models KAG KAA)	14F0014
	Line Cord (models KAG)	14F0050

Machine Type 6343		
1	Top Cover Assembly (Stealth Black) (models 91S 91P 13U 93S 93P 21U 21F 95S 95P 25U 25F 97S 97P 31G CTO 25G)	24P9865
1	Top Cover Assembly (Pearl White) (models 27A 28A)	24P9863
2	Planar EMC Shield Kit (all models)	25P0078
3	Processor - Intel P4 1.5Ghz (models 91S 91P 13U 93S 93P CTO)	25P5040
3	Processor - Intel P4 1.6GHz (models 21U 21F 95S 95P 25U 25F 97S 97P CTO 25G)	25P5114
3	Processor - Intel P4 1.6GHz (models 21U 21F 95S 95P 25U 25F 97S 97P CTO 25G 27A 28A)	33P0963
3	Processor - Intel P4 1.8GHz (models 31G CTO)	25P5115
3	Processor - Intel P4 1.8GHz (models 31G CTO)	33P0965
3	Processor - Intel P4 2.0GHz (model CTO)	25P6177
3	Fan Sink (1.9-2.2GHz) (model CTO 91S 91P 13U 93S 93P 21U 21F 95S 95P 25U 25F 97S 97P 31G 25G 27A 28A)	32P4004
3	Retention Module Kit (all models)	24P4811
4	64MB Memory (models 91S 91P CTO)	10K0056
4	128MB Memory (models 13U 93S 93P 21U 21F 95S 95P 25U 25F 97S 97P 31G CTO 25G 27A 28A)	10K0058
4	256MB Memory (model CTO)	10K0060
5	System Board W/O POV2 Card (models 91S 91P 13U 93S 93P 21U 21F 95S 95P 25U 25F 97S 97P 31G CTO 25G 27A 28A)	73P0546
6	5.25-in. DASD Bracket (all models)	24P9875
7	CD-ROM Drive 48X (Black) (models 13U 21U 21F 25U 25F 31G CTO 25G)	33P3203
7	CD-ROM Drive 48X (Black) (models 13U 21U 21F 25U 25F 31G CTO 25G)	33P3207
7	CD-ROM Drive 48X (Black) (models 13U 21U 21F 25U 25F 31G CTO 25G)	33P3215
7	CD-ROM Drive 48X (Black) (models 13U 21U 21F 25U 25F 31G CTO 25G)	33P3211
7	CD-ROM Drive 48X (White) (models 12G 14G 27A 28A)	33P3201
7	CD-ROM Drive 48X (White) (models 12G 14G 27A 28A)	33P3205
7	CD-ROM Drive 48X (Whitek) (models 12G 14G 27A 28A)	33P3209
7	DVD-ROM 16X/48X Black (model CTO)	33P3259
7	CD/RW 16X/10X/40X Black (model CTO)	24P3627
7	CD/RW 16X/10X/40X Black (model CTO)	24P3631
7	CD/RW 48X/32X/48X Black (model CTO)	26K5376

	Machine Type 6343	
7	DVD-ROM/CD/RW Combo (Black) (model CTO)	33P3227
7	DVD RAM 9.4GB 2X/6X/24X Black (model CTO)	24P3615
8	5.25-in. EMC Shield (all models)	19K5548
9	3.5-in. 1.44 M 2-mode Floppy Disk Drive (all models)	75H9550
10	20GB Hard Drive Value EIDE ATA-100 (model CTO)	19K1560
10	40GB Hard Drive Value EIDE ATA-100 (model CTO)	19K1562
10	60GB Hard Drive Value EIDE ATA-100 (model CTO)	19K1581
10	80GB Hard Drive Value EIDE ATA-100 (models CTO)	06P5237
10	20GB Hard Drive 7200rpm EIDE ATA-100 (models 13U 21U 21F CTO)	19K1565
10	40GB Hard Drive 7200rpm EIDE ATA-100 (models 25U 25F 97S 97P 31G CTO 91S 91P 93S 93P 95S 95P 25G 27A 28A)	19K1568
10	60GB Hard Drive 7200rpm EIDE ATA-100 (model CTO)	19K1570
10	80GB Hard Drive 7200rpm EIDE ATA-100 (model CTO)	24P3665
11	DASD Rail Soft Mount Assembly (blue) (all models)	19K5331
11	DASD Rail Soft Mount Assembly (yellow) (all models)	23P1327
12	3.5-in. Floppy Disk Drive Bracket (all models)	24P9874
13	Speaker Assembly (model CTO)	00N5151
14	Power Supply 160W PFC (models 91S 13U 93S 21U 21F 95S 25U 25F 97S 31G CTO 25G 27A 28A)	24P6829
14	Power Supply 160W Wide Ranging (models 91P 93P 95P 97P)	24P6831
15	Basic Chassis Assembly (all models)	24P9866
16	I/O Cam Bracket (all models)	24P9869
17	Air Duct (all models)	49P0163
18	Link Bracket (all models)	25P5032
	Dual USB Cable (all models)	22P1188
	Planar Locating Label (all models)	24P9864
	Bezel Kit (Pearl White) (models 27A 28A)	24P9867
	Bezel Kit (Stealth Black) (models 91S 91P 13U 93S 93P 21U 21F 95S 95P 25U 25F 97S 97P 31G CTO 25G)	24P9868
	Primary IDE Cable (all models)	24P9870
	Floppy Disk Drive Cable (all models)	24P9871
	Secondary IDE Cable (all models)	24P9872
	Pivot Lock 3.5-in. Floppy Disk Drive (all models)	24P9876
	Pivot Lock 5.25-in. DASD (all models)	24P9877
	Misc. Hardware Kit (all models)	24P9878
	CD-ROM Audio Cable (all models)	75H9219
	Power/LED Cable Assembly (all models)	37L5092
	Bottom Foot (all models)	03K9655
	DASD rail soft mount assembly (blue) (all models)	19K5331
	DASD rail soft mount assembly (yellow) (all models)	23P1328

Machine Type 6343		
	Battery, 3.0V (all models)	33F8354
	Mouse 2-button PS/2 (White) (models 27A 28A)	10L6145
	Mouse 2-button PS/2 (Black) (models 91S 91P 13U 93S 93P 21U 21F 95S 95P 25U 25F 97S 97P 31G CTO 25G)	10L6149
	Mouse USB - ScrollPoint III (Black) (model CTO)	24P0485
	16MB nVidia Vanta 16MB-4XAGP (all models)	25P5157
	nVidia GeForce2 MX-VGA only (model CTO)	25P5848
	nVidia GeForce2 MX-VGA/TVout (model CTO)	22P1069
	64MB nVidia GeForce2 GTS Pro (model CTO)	22P1390
	56k V.90 data/fax PCI Modem (US) (model CTO)	19K2965
	1394 Firewire PCI-LP (model CTO)	22P6849
	PCMCIA/IEEE - 1394 Combo PCI-LP (model CTO)	TBD
	Jazz Infinity 2-piece Tier-1 (Black) (model CTO)	25P4726
	Power brick - US CE CF LA Taiwan (model CTO)	10K2587

Recovery CDs Win 2000 - Machine Type 6343		
	US (models 13U 25U CTO)	59P1181
	UK (models 25G 31G)	59P1187
	FR (models 25G 31G)	59P1190
	GR (models 25G 31G)	59P1193
	LA (models 93S 97S)	59P1205
	IT (models 25G 31G)	59P1202
	CF (models 25F)	59P1199
	BR (models 93P 97P)	59P1235
	SP (models 25G 31G)	59P1208
	DK (models 25G 31G)	59P1220
	NL (models 25G 31G)	59P1211
	AE (models 25G 31G)	59P1196
	SW (models 25G 31G)	59P1229
	HB (models 25G 31G)	59P1232
	FI (models 25G 31G)	59P1223
	NO (models 25G 31G)	59P1226
	PL (models 25G 31G)	59P1238
	PO (models 25G 31G)	59P1217
	RU (models 25G 31G)	59P1244
	HU (models 25G 31G)	59P1247
	CZ (models 25G 31G)	59P1241
	TR (models 25G 31G)	59P1250
	GK (models 25G 31G)	59P1214

Recovery CDs Win 98 - Machine Type 6343		
	US Win 98 Recovery CD (models 21U CTO)	59P1100
	LA Win 98 Recovery CD (models 91S 95S)	59P1124
	CF Win 98 Recovery CD (model 21F)	59P1118
	BR Win 98 Recovery CD (models 91P 95P)	59P1139

Recovery CDs Win XP Pro - Machine Type 6343		
	US (models 27A 28A)	33P1962

Keyboards (Standard PS/2 Black) - Machine Type 6343		
	US English (models 13U 21U 25U CTO)	32P5000
	Arabic (model 25G 31G)	32P5001
	Belgian/French (model 25G 31G)	32P5002
	Belgian/UK (model 25G 31G)	32P5003
	Bulgarian (model 25G 31G)	32P5004
	Czech (model 25G 31G)	32P5006
	Danish (model 25G 31G)	32P5007
	Dutch (model 25G 31G)	32P5008
	French (model 25G 31G)	32P5009
	French Canadian 058 (models 21F 25F)	32P5010
	French Canadian 445 (models 21F 25F)	32P5011
	German (model 25G 31G)	32P5012
	Greek (model 25G 31G)	32P5013
	Hebrew (model 25G 31G)	32P5014
	Hungarian (model 25G 31G)	32P5015
	Iceland (model 25G 31G)	32P5016
	Italian (model 25G 31G)	32P5017
	LA Spanish (models 91S 93S 95S 97S)	32P5020
	Norwegian (model 25G 31G)	32P5021
	Polish (model 25G 31G)	32P5022
	Portugese (model 25G 31G)	32P5023
	Romanian (model 25G 31G)	32P5024
	Russian (model 25G 31G)	32P5025
	Russian/Cy (model 25G 31G)	32P5026
	Serbian/Cyrillic (model 25G 31G)	32P5027
	Slovak (model 25G 31G)	32P5028
	Spanish (model 25G 31G)	32P5029
	Swedish/Finn (model 25G 31G)	32P5030
	Swiss F/G (model 25G 31G)	32P5031
	Turkish EURO Phase I (model 25G 31G)	32P5033
	Turkish EURO Phase II (model 25G 31G)	32P5034
	UK English (model 25G 31G)	32P5035

Keyboards (Standard PS/2 Black) - Machine Type 6343		
	US International (model 25G 31G)	32P5036
	Yugoslav/Latin (model 25G 31G)	32P5037
	Brazil/Portugese (models 91P 93P 95P 97P)	32P5038

Keyboards (Standard PS/2 White) - Machine Type 6343		
	US English (models 27A 28A)	32P5040

Power Cords - Machine Type 6343		
	Line Cord (all models)	6952301
	Line Cord (all models)	13F9939
	Line Cord (all models)	1838576
	Line Cord (all models)	13F9978
	Line Cord (all models)	14F0032
	Line Cord (all models)	13F9996
	Line Cord (all models)	14F0068
	Line Cord (all models)	36L8879
	Line Cord (all models)	02K0545
	Line Cord (all models)	14F0086
	Line Cord (all models)	14F0014
	Line Cord (all models)	14F0050

Machine Type 6790		
1	Top Cover Assembly (Pearl White) (models 11A 11T 11C 11M 11V 11D 11J 21A 21T 21C 21M 21V 21D 21J 22A 22T 22C 22M 22V 22D 22J 31A 31T 31C 31M 31V 31D 31J 14A 14T 15C 15M 15V 15D 16C 16M 16V 16D 2AA 2AT 2BC 2BM 2BV 2BD 2CC 2CM 2CV 2CD 33A 33T 33C 33M 33V 33D 1A 2DA 2DT 2EC 2EM 2EV 2ED 2GA 23A 37C 37M 37V 37D 38C 38M 38V 38D 39C 39M 39V 39D)	49P0173
1	Top Cover Assembly (Stealth Black) (models 11U 11F 11S 11P 11G 13U 13F 21U 21F 21S 21P 21G 22U 22F 22S 22P 22G 24U 24F 31U 31F 31S 31P 31G CAU CBU CCU 23U 23G 32U CTO 17U 17F 26U 26F 2DU 2GU 2GF 34U 36U 36F 25U 35U B1U B1F CDU 42U 42F 42G 43U 43F 43G 44U 44F 39U 39F 3AU 3BU CEU)	49P0174
2	Planar EMC Shield Kit (all models)	25P0078
3	Retention Module Kit (all models)	24P4811

	Machine Type 6790	
3	Fan Sink (1.9-2.2GHz) (models 31U 31F 31S 31P 31G 31A 31T 31C 31M 31V 31D 31J 32U CCU CTO 33A 33T 33C 33M 33V 33D 34U 36U 36F 35U 42U 42F 42G 43U 43F 43G 44U 44F 39U 39F 39A 39T 39C 39M 39V 39D 3AU 3BU CEU 11U 11F 11S 11P 11G 11A 11T 11C 11M 11V 11D 11J 13U 13F CAU 21U 21F 21S 21P 21G 21A 21T 21C 21M 21V 21D 21J 22U 22F 22S 22P 22G 22A 22T 22C 22M 22V 22D 22J 23U 23G 24U 24F CBU 14A 14T 15C 15M 15V 15D 16C 16M 16V 16D 2AA 2AT 2BC 2BM 2BV 2BD 2CC 2CM 2CV 2CD A1A 17U 17F 26U 26F 2DU 2DA 2DT 2EC 2EM 2EV 2ED 2GU 2GF 2GA 23A 25U B1U B1F G16)	32P4004
3	Processor - Intel P4 1.6GHz (models 11U 11F 11S 11P 11G 11A 11T 11C 11M 11V 11D 11J 13U 13F CAU CTO 14A 14T 15C 15M 15V 15D 16C 16M 16V 16D 17U 17F)	33P0963
3	Processor - Intel P4 1.8GHz (models 21U 21F 21S 21P 21G 21A 21T 21C 21M 21V 21D 21J 22U 22F 22S 22P 22G 22A 22T 22C 22M 22V 22D 22J 23U 23G 24U 24F CBU CTO 2AA 2AT 2BC 2BM 2BV 2BD 2CC 2CM 2CV 2CD 26U 26F 2DU 2DA 2DT 2EC 2EM 2EV 2ED 2GU 2GF 2GA 23A 25U)	33P0965
3	Processor - Intel P4 2.0GHz (models 31U 31F 31S 31P 31G 31A 31T 31C 31M 31V 31D 31J 13U 13F 21U 21F 21S 21P 21G 21A 21T 21C 21M 21V 21D 21J 22U 22F 22S 22P 22G 22A 22T 22C 22M 22V 22D 22J 24U 24F 31U 31F 31S 31P 31G 31A 31T 31C 31M 31V 31D 31J CAU CBU CCU CTO 14A 14T 15C 15M 15V 15D 16C 16M 16V 16D 2AA 2AT 2BC 2BM 2BV 2BD 2CC 2CM 2CV 2CD 33A 33T 33C 33M 33V 33D A1A 17U 17F 26U 26F 2DU 2DA 2DT 2EC 2EM 2EV 2ED 2GU 2GF 2GA 34U 36U 36F B1U B1F)	25P6177
3	Processor - Intel P4 1.5GHz (models A1A)	33P0961
3	Processor - Intel P4 1.7GHz (models B1U B1F)	25P5041
3	Processor - Intel P4 1.7GHz (models B1U B1F)	49P0189
3	Processor - Intel P4 1.7GHz (models B1U B1F)	49P3506
3	Processor - Intel P4 1.8GHz (models 21U 21F 21S 21P 21G 21A 21T 21C 21M 21V 21D 21J 22U 22F 22S 22P 22G 22A 22T 22C 22M 22V 22D 22J 23U 23G 24U 24F CBU CTO 2AA 2AT 2BC 2BM 2BV 2BD 2CC 2CM 2CV 2CD 26U 26F 2DU 2DA 2DT 2EC 2EM 2EV 2ED 2GU 2GF 2GA 23A 25U)	49P3507
3	Processor - Intel P4 2.0GHz (models 37C 37M 37V 37D 38C 38M 38V 38D 39U 39F 39A 39T 39C 39M 39V 39D 3AU 3BU CEU)	73P0570
3	Processor - Intel P4 2.2GHz (models CDU 42U 42F 42G 43U 43F 43G 44U 44F)	73P0571
4	64MB Memory (model CTO)	10K0056
4	128MB Memory (models 11U 11F 11S 11P 11G 11A 11T 11C 11M 11V 11D 11J 13U 13F 22U 22F 22S 22P 22G 22A 22T 22C 22M 22V 22D 22J 24U 24F CAU CBU CCU CTO 14A 14T 15C 15M 15V 15D 16C 16M 16V 16D 2AA 2AT 2BC 2BM 2BV 2BD 2CC 2CM 2CV 2CD 33A 33T 33C 33M 33V 33D A1A 17U 17F 26U 26F 2DU 2DA 2DT 2EC 2EM 2EV 2ED B1U B1F CDU 37C 37M 37V 37D 38C 38M 38V 38D 39C 39M 39V 39D CEU)	10K0058

	Machine Type 6790	
4	256MB Memory (models 21U 21F 21S 21P 21G 21A 21A 21T 21C 21M 21V 21D 21J 23U 23G 31U 31F 31S 31P 31G 31A 31T 31C 31M 31V 31D 31J 32U CTO GU 2GF 2GA 34U 36U 36F 23A 25U 35U 42U 42F 42G 43U 43F 43G 44U 44F 39U 39F 39A 39T 3AU 3BU G20)	10K0060
4	512MB Memory (models G16)	10K0062
5	System Board W/O POV2 Card (models 11U 11F 11S 11P 11G 11A 11T 11C 11M 11V 11D 11J 13U 13F 21U 21F 21S 21P 21G 21A 21T 21C 21M 21V 21D 21J 22U 22F 22S 22P 22G 22A 22T 22C 22M 22V 22D 22J 24U 24F 31U 31F 31S 31P 31G 31A 31T 31C 31M 31V 31D 31J CAU CBU CCU CTO 14A 14T 15C 15M 15V 15D 16C 16M 16V 16D 2AA 2AT 2BC 2BM 2BV 2BD 2CC 2CM 2CV 2CD 33A 33T 33C 33M 33V 33D A1A 17U 17F 26U 26F 2DU 2DA 2DT 2EC 2EM 2EV 2ED 2GU 2GF 2GA 34U 36U 36F B1U B1F)	73P0546
5	System Board W/ POV2 Card (models 23U 23G 32U CTO 23A 25U 35U)	73P0545
5	System Board W/O POV2 Card (models CDU 37C 37M 37V 37D 38C 38M 38V 38D 42U 42F 42G 43U 43F 43G 39U 39F 39A 39T 39C 39M 39V 39D 3AU CEU)	73P0544
5	System Board W/ POV2 Card (models 44U 44F 3BU G16 G20)	73P0543
6	5.25-in. DASD Bracket (all models)	24P9875
7	CD-ROM Drive 48X (Black) (models 11U 11F 11S 11P 11G 13U 13F 21U 21F 21S 21P 21G 22U 22F 22S 22P 22G 24U 24F 31U 31F 31S 31P 31G CAU CBU CCU CTO 23U 23G 32U 17U 17F 26U 26F 2DU 2GU 2GF 34U 36U 36F 25U 35U B1U B1F 42U 42F 42G 43U 43F 43G 44U 44F 39U 39F 39A 39T 3AU 3BU)	33P3203
7	CD-ROM Drive 48X (Black) (models 11U 11F 11S 11P 11G 13U 13F 21U 21F 21S 21P 21G 22U 22F 22S 22P 22G 24U 24F 31U 31F 31S 31P 31G CAU CBU CCU CTO 23U 23G 32U 17U 17F 26U 26F 2DU 2GU 2GF 34U 36U 36F 25U 35U B1U B1F 42U 42F 42G 43U 43F 43G 44U 44F 39U 39F 39A 39T 3AU 3BU)	33P3207
7	CD-ROM Drive 48X (Black) (models 11U 11F 11S 11P 11G 13U 13F 21U 21F 21S 21P 21G 22U 22F 22S 22P 22G 24U 24F 31U 31F 31S 31P 31G CAU CBU CCU CTO 23U 23G 32U 17U 17F 26U 26F 2DU 2GU 2GF 34U 36U 36F 25U 35U B1U B1F 42U 42F 42G 43U 43F 43G 44U 44F 39U 39F 39A 39T 3AU 3BU)	33P3215
7	CD-ROM Drive 48X (Black) (models 11U 11F 11S 11P 11G 13U 13F 21U 21F 21S 21P 21G 22U 22F 22S 22P 22G 24U 24F 31U 31F 31S 31P 31G CAU CBU CCU CTO 23U 23G 32U 17U 17F 26U 26F 2DU 2GU 2GF 34U 36U 36F 25U 35U B1U B1F 42U 42F 42G 43U 43F 43G 44U 44F 39U 39F 39A 39T 3AU 3BU)	33P3211
7	CD-ROM 48X (White) (models 11A 11T 11C 11M 11V 11D 11J 21A 21T 21C 21M 21V 21D 21J 22A 22T 22C 22M 22V 22D 22J 31A 31T 31C 31M 31V 31D 31J 14A 14T 15C 15M 15V 15D 16C 16M 16V 16D 2AA 2AT 2BC 2BM 2BV 2BD 2CC 2CM 2CV 2CD 33A 33T 33C 33M 33V 33D A1A 2DA 2DT 2EC 2EM 2EV 2ED 2GA 23A 37C 37M 37V 37D 38C 38M 38V 38D 39C 39M 39V 39D)	33P3201

	Machine Type 6790	
7	CD-ROM 48X (White) (models 11A 11T 11C 11M 11V 11D 11J 21A 21T 21C 21M 21V 21D 21J 22A 22T 22C 22M 22V 22D 22J 31A 31T 31C 31M 31V 31D 31J 14A 14T 15C 15M 15V 15D 16C 16M 16V 16D 2AA 2AT 2BC 2BM 2BV 2BD 2CC 2CM 2CV 2CD 33A 33T 33C 33M 33V 33D A1A 2DA 2DT 2EC 2EM 2EV 2ED 2GA 23A 37C 37M 37V 37D 38C 38M 38V 38D 39C 39M 39V 39D)	33P3205
7	CD-ROM 48X (White) (models 11A 11T 11C 11M 11V 11D 11J 21A 21T 21C 21M 21V 21D 21J 22A 22T 22C 22M 22V 22D 22J 31A 31T 31C 31M 31V 31D 31J 14A 14T 15C 15M 15V 15D 16C 16M 16V 16D 2AA 2AT 2BC 2BM 2BV 2BD 2CC 2CM 2CV 2CD 33A 33T 33C 33M 33V 33D A1A 2DA 2DT 2EC 2EM 2EV 2ED 2GA 23A 37C 37M 37V 37D 38C 38M 38V 38D 39C 39M 39V 39D)	33P3209
7	DVD-ROM 16X/48X (Black) (models CAU CBU CCU CTO G16 G20)	33P3259
7	CD/RW 16X/10X/40X (Black) (models CAU CBU CCU CTO)	24P3627
7	CD/RW 16X/10X/40X (Black) (models CAU CBU CCU CTO)	24P3631
7	CD/RW 48X/32X/48X (Black) (universal) (models CAU CBU CCU CTO)	26K5376
7	DVD-ROM/CD/RW Combo (Black) (models CAU CBU CCU CTO)	33P3227
7	DVD RAM 9.4GB 2X/6X/24X (Black) (models CAU CBU CCU CTO)	24P3615
8	5.25-in. EMC Shield (all models)	19K5548
9	3.5-in. 1.44 M 2-mode Floppy Disk Drive (models 11U 11F 11S 11P 11G 11M 11V 11D 13U 13F 21U 21F 21S 21P 21G 21M 21V 21D 22U 22F 22S 22P 22G 22M 22V 22D 24U 24F 31U 31F 31S 31P 31G 31M 31V 31D CAU CBU CCU 23U 23G 32U CTO 15M 15V 15D 16M 16V 16D 2BM 2BV 2BD 2CM 2CV 2CD 33M 33V 33D 17U 17F 26U 26F 2DU 2DT 2EC 2EM 2EV 2ED 2GU 2GF 34U 36U 36F 25U 35U B1U B1F CDU 37C 37M 37V 37D 38C 38M 38V 38D 42U 42F 42G 43U 43F 43G 44U 44F 39U 39F 39A 39T 39C 39M 39V 39D 3AU 3BU CEU G16 G20)	75H9550
9	3.5-in. 1.44 M 3-mode Floppy Disk Drive (models 11A 11T 11C 21A 21T 21C 22A 22T 22C 31A 31T 31C CTO 11J 21J 22J 31J CTO 14A 14T 15C 16C 2AA 2AT 2BC 2CC 33A 33T 33C A1A 2DA 2GA 23A)	19K1543
10	40GB Hard Drive Value EIDE ATA-100 (models CTO)	19K1562
10	60GB Hard Drive Value EIDE ATA-100 (models CAU CBU CCU CTO)	19K1581
10	80GB Hard Drive Value EIDE ATA-100 (models CAU CBU CCU CTO)	06P5237
10	20GB Hard Drive 7200rpm EIDE ATA-100 (models CAU CBU CCU CTO A1A)	19K1565

	Machine Type 6790	
10	40GB Hard Drive 7200rpm EIDE ATA-100 (models CAU CBU CCU CTO 14A 14T 15C 15M 15V 15D 16C 16M 16V 16D 2AA 2AT 2BC 2BM 2BV 2BD 2CC 2CM 2CV 2CD 33A 33T 33C 33M 33V 33D 11U 11F 11S 11P 11G 11A 11T 11C 11M 11V 11D 11J 13U 13F 21U 21F 21S 21P 21G 21A 21T 21C 21M 21V 21D 21J 22U 22F 22S 22P 22G 22A 22T 22C 22M 22V 22D 22J 24U 24F 31U 31F 31S 31P 31G 31A 31T 31C 31M 31V 31D 31J 23U 23G 32U 17U 17F 26U 26F 2DU 2DA 2DT 2EC 2EM 2EV 2ED 2GU 2GF 2GA 34U 36U 36F 23A 25U 35U 37C 37M 37V 37D 38C 38M 38V 38D 42U 42F 42G 43U 43F 43G 44U 44F)	19K1568
10	60GB Hard Drive 7200rpm EIDE ATA-100 (models CAU CBU CCU CTO)	19K1570
10	80GB Hard Drive 7200rpm EIDE ATA-100 (models CAU CBU CCU CTO)	24P3665
11	DASD Rail Soft Mount Assembly (blue) (all models)	19K5331
11	DASD Rail Soft Mount Assembly (yellow) (all models)	23P1328
12	3.5-in. Floppy Disk Drive Bracket (all models)	24P9874
13	Speaker Assembly (all models)	00N5151
14	Power Supply 160W PFC (models 11U 11F 11S 11G 11A 11T 11M 11V 11D 11J 13U 13F 21U 21F 21S 21G 21A 21T 21M 21V 21D 21J 22U 22F 22S 22G 22A 22T 22M 22V 22D 22J 24U 24F 31U 31F 31S 31G 31A 31T 31M 31V 31D 31J CAU CBU CCU 23U 23G 32U CTO 14A 14T 15M 15V 15D 16M 16V 16D 2AA 2AT 2BM 2BV 2BD 2CM 2CV 2CD 33A 33T 33M 33V 33D A1A 17U 17F 26U 26F 2DU 2DA 2DT 2EM 2EV 2ED 2GU 2GF 2GA 34U 36U 36F 23A 25U 35U B1U B1F CDU 37M 37V 37D 38M 38V 38D 42U 42F 42G 43U 43F 43G 44U 44F 39U 39F 39A 39T 3AU 3BU CEU G16 G20)	24P6829
14	Power Supply 160W Wide Ranging (models 11P 11C 21P 21C 22P 22C 31P 31C CTO 15C 16C 2BC 2CC 33C 2EC 37C 38C 39C 39M 39V 39D)	49P2131
15	Basic Chassis Assembly (all models)	49P0175
16	I/O Cam Bracket (all models)	24P9869
17	Air Duct (all models)	49P0163
18	Link Bracket (all models)	25P5032
	Dual USB Cable (all models)	22P1188
	Planar Locating Label (all models)	24P9864
	RFID Antenna (models 23U 23G 32U)	03K9654
	C2 Cable (models 23U 23G 32U)	09K9827
	Bezel Kit (Pearl White) (models 11A 11T 11C 11M 11V 11D 11J 21A 21T 21C 21M 21V 21D 21J 22A 22T 22C 22M 22V 22D 22J 31A 31T 31C 31M 31V 31D 31J 14A 14T 15C 15M 15V 15D 16C 16M 16V 16D 2AA 2AT 2BC 2BM 2BV 2BD 2CC 2CM 2CV 2CD 33A 33T 33C 33M 33V 33D A1A 2DA 2DT 2EC 2EM 2EV 2ED 2GA 23A 37C 37M 37V 37D 38C 38M 38V 38D 39C 39M 39V 39D)	24P9867

	Machine Type 6790	
	Bezel Kit (Stealth Black) (models 11U 11F 11S 11P 11G 13U 13F 21U 21F 21S 21P 21G 22U 22F 22S 22P 22G 24U 24F 31U 31F 31S 31P 31G CAU CBU CCU 23U 23G 32U CTO 17U 17F 26U 26F 2DU 2GU 2GF 34U 36U 36F 25U 35U B1U B1F CDU 42U 42F 42G 43U 43F 43G 44U 44F 39U 39F 3AU 3BU CEU)	24P9868
	Primary IDE Cable (all models)	24P9870
	Floppy Disk Drive Cable (all models)	24P9871
	Secondary IDE Cable (all models)	24P9872
	Pivot Lock 3.5-in. Floppy Disk Drive (all models)	24P9876
	Pivot Lock 5.25-in. DASD (all models)	24P9877
	Misc. Hardware Kit (all models)	24P9878
	CD-ROM Audio Cable (all models)	75H9219
	Power/LED Cable Assembly (all models)	37L5092
	Key Lock (models 23U 23G 32U)	25P5031
	Stand (Stealth Black) (models 11U 11F 11S 11P 11G 13U 13F 21U 21F 21S 21P 21G 22U 22F 22S 22P 22G 24U 24F 31U 31F 31S 31P 31G CAU CBU CCU 23U 23G 32U CTO 17U 17F 26U 26F 2DU 2GU 2GF 34U 36U 36F 25U 35U B1U B1F CDU 42U 42F 42G 43U 43F 43G 44U 44F 39U 39F 3AU 3BU CEU)	25P5033
	Stand (Pearl White) (models 11A 11T 11C 11M 11V 11D 11J 21A 21T 21C 21M 21V 21D 21J 22A 22T 22C 22M 22V 22D 22J 31A 31T 31C 31M 31V 31D 31J 14A 14T 15C 15M 15V 15D 16C 16M 16V 16D 2AA 2AT 2BC 2BM 2BV 2BD 2CC 2CM 2CV 2CD 33A 33T 33C 33M 33V 33D A1A 2DA 2DT 2EC 2EM 2EV 2ED 2GA 23A 37C 37M 37V 37D 38C 38M 38V 38D 39C 39M 39V 39D)	25P5034
	Bottom Foot (all models)	03K9655
	Bottom Foot (Pearl White) (all models except EMEA)	25P5035
	Air duct w/fan (all models)	24P9880
	Battery, 3.0V (all models)	33F8354
	Mouse 2-button PS/2 (Black) (models 11U 11F 11S 11P 11G 13U 13F 21U 21F 21S 21P 21G 22U 22F 22S 22P 22G 24U 24F 31U 31F 31S 31P 31G CAU CBU CCU 23U 23G 32U CTO 17U 17F 26U 26F 2DU 2GU 2GF 34U 36U 36F 25U 35U B1U B1F 42U 42F 42G 43U 43F 43G 44U 44F 39U 39F 39A 39T 3AU 3BU CEU G16 G20)	10L6149
	Mouse 2-button PS/2 (White) (models 11A 11T 11C 11M 11V 11D 11J 21A 21T 21C 21M 21V 21D 21J 22A 22T 22C 22M 22V 22D 22J 31A 31T 31C 31M 31V 31D 31J 14A 14T 15C 15M 15V 15D 16C 16M 16V 16D 2AA 2AT 2BC 2BM 2BV 2BD 2CC 2CM 2CV 2CD 33A 33T 33C 33M 33V 33D A1A 2DA 2DT 2EC 2EM 2EV 2ED 2GA 23A 37C 37M 37V 37D 38C 38M 38V 38D 39C 39M 39V 39D)	10L6145

	Machine Type 6790	
	16MB nVidia Vanta 16MB-4XAGP (models 11U 11F 11S 11P 11G 11A 11T 11C 11M 11V 11D 11J 13U 13F 21U 21F 21S 21P 21G 21A 21T 21C 21M 21V 21D 21J 22U 22F 22S 22P 22G 22A 22T 22C 22M 22V 22D 22J 24U 24F 31U 31F 31S 31P 31G 31A 31T 31C 31M 31V 31D 31J CAU CBU CCU CTO 23U 23G 32U 14A 14T 2AA 2AT 33A 33T 33C 33M 33V 33D A1A 17U 17F 26U 26F 2DU 2DA 2DT 2EC 2EM 2EV 2ED 34U 36U 36F 23A 25U 35U B1U B1F CDU 42U 42F 42G 43U 43F 43G 44U 44F 39U 39F 39A 39T 39C 39M 39V 39D 3AU 3BU CEU)	25P4058
	nVidia GeForce2 MX-VGA only (models CTO 15C 15M 15V 15D 16C 16M 16V 16D 2BC 2BM 2BV 2BD 2CC 2CM 2CV 2CD 2GU 2GF 2GA 37C 37M 37V 37D 38C 38M 38V 38D)	25P5848
	nVidia GeForce2 MX-VGA/TVout (model CTO)	22P1069
	64MB nVidia GeForce2 GTS Pro (model CTO)	22P1390
	Matrox G450 Video adapter (model G16 G20)	31P6592
	Low Prof 16/4 Token Ring Adapter (model G20)	35P5309
	56k V.90 data/fax PCI Modem (US) (model CTO)	19K2965
	56k V.90 data/fax PCI Modem (WT) (model CTO)	19K2963
	1394 Firewire PCI-LP (model CTO)	22P6849
	PCMCIA/IEEE - 1394 Combo PCI-LP (model CTO)	32P4742
	Jazz Infinity 2-piece Tier-1 (Black) (model CTO)	25P4726
	Power brick - US CE CF LA Taiwan (model CTO)	10K2587
	Power brick - Europe (non UK) (model CTO)	10K2591
	Power brick - Hong Kong (2-prong version) (model CTO)	10K2597
	Power brick - Hong Kong (3-prong version) (model CTO)	25P5703
	Power brick - UK (Northern Ireland Wales GB Scotland England) (model CTO)	25P5703
	Power brick - Japan (model CTO)	10K2593
	Power brick - Australia New Zealand (model CTO)	25P5705
	Power brick - Brazil (model CTO)	10K2789

	Recovery CDs Win 98 - Machine Type 6790	
	US Win 98 Recovery CD (models 17U 26U 36U 39U)	59P1100
	AP Win 98 Recovery CD (models 37D 39D)	59P1103
	FR Win 98 Recovery CD (models 17F 26F 35F 39F)	59P1109
	TH Win 98 Recovery CD (models 14T 2AT 33T)	59P1178
	Simplified Chinese Win 98 Recovery CD (models 16C 2CC 33C 37C 39C)	62P8743
	Traditional Chinese Win 98 Recovery CD (models 1SM 16V 2CM 2CV 33M 33V 37V 39V)	62P8744
	HK Traditional Chinese Win 98 Recovery CD (models 37M 39M)	62P8745
	HK Traditional Chinese Win 98 Recovery CD (models 16M 2CM 33M)	46P4000

Recovery CDs Win 2000 - Machine Type 6790		
	US (models 11U 21U 22U 31U 23U 32U 42U)	59P1181
	AP (models 11A 11D 21A 21D 22A 22D 31A 31D 15D 2BD A1A 23A 38D)	59P1184
	UK (models 11G 21G 22G 31G 23G 42G)	59P1187
	FR (models 11G 21G 22G 31G 23G 42G)	59P1190
	GR (models 11G 21G 22G 31G 23G 42G)	59P1193
	LA (models 11S 21S 22S 31S)	59P1205
	IT (models 11G 21G 22G 31G 23G 42G)	59P1202
	CF (models 11F 21F 22F 31F 42F)	59P1199
	BR (models 11P 21P 22P 31P)	59P1235
	SP (models 11G 21G 22G 31G 23G 42G)	59P1208
	DK (models 11G 21G 22G 31G 23G 42G)	59P1220
	NL (models 11G 21G 22G 31G 23G 42G)	59P1211
	AE (models 11G 21G 22G 31G 23G 42G)	59P1196
	SW (models 11G 21G 22G 31G 23G 42G)	59P1229
	HB (models 11G 21G 22G 31G 23G 42G)	59P1232
	FI (models 11G 21G 22G 31G 23G 42G)	59P1223
	NO (models 11G 21G 22G 31G 23G 42G)	59P1226
	PL (models 11G 21G 22G 31G 23G 42G)	59P1238
	PO (models 11G 21G 22G 31G 23G 42G)	59P1217
	RU (models 11G 21G 22G 31G 23G 42G)	59P1244
	HU (models 11G 21G 22G 31G 23G 42G)	59P1247
	CZ (models 11G 21G 22G 31G 23G 42G)	59P1241
	TR (models 11G 21G 22G 31G 23G 42G)	59P1250
	TH (models 11T 21T 22T 31T)	59P1253
	GK (models 11G 21G 22G 31G 23G 42G)	59P1214
	Japanese (models 11J 21J 22J 31J)	62P4732
	Simplified Chinese (models 11C 15C 21C 22C 2BC 31C 38C)	62P8740
	Taiwan-TC (models 11V 15V 21V 22V 2BV 31V 38V)	62P8741
	Hong Kong-TC (models 11M 15M 21M 21M 2BM 31M 38M)	62P8742

Recovery CDs XP Home - Machine Type 6790		
	US XP Home Recovery CD (models 13U 24U)	33P1881
	FR XP Home Recovery CD (models 13F 24F)	33P1890

Recovery CDs XP Pro - Machine Type 6790		
	US English (models 2DU 2DA 2DT 2ED 2GU 2GA 34U 25U 35U 3AU 3BU)	33P1962
	French (models 2GF 43F 43G 44F)	33P1971
	German (model 43G)	33P1974
	Italian (model 43G)	33P1980

	Recovery CDs XP Pro - Machine Type 6790	
	Spanish (model 43G)	33P1989
	Danish (model 43G)	33P1992
	Netherlands (model 43G)	33P1995
	Arabic Enabled (model 43G)	33P1998
	Swedish (model 43G)	33P2001
	Hebrew (model 43G)	33P2004
	Finnish (model 43G)	33P2007
	Norwegian (model 43G)	33P2010
	Polish (model 43G)	33P2013
	Portuguese (model 43G)	33P2016
	Russian (model 43G)	33P2019
	Hungarian (model 43G)	33P2022
	Slovenian (model 43G)	33P2025
	Czechoslovakian (model 43G)	33P2028
	Turkish (model 43G)	33P2031
	Slovakian (model 43G)	33P2034
	Greek (model 43G)	33P2040

	Keyboards (Standard PS/2 Black) - Machine Type 6790	
	US English	32P5000
	Arabic	32P5001
	Belgian/French	32P5002
	Belgian/UK	32P5003
	Bulgarian	32P5004
	Chinese/US	32P5005
	Czech	32P5006
	Danish	32P5007
	Dutch	32P5008
	French	32P5009
	French Canadian 058	32P5010
	French Canadian 445	32P5011
	German	32P5012
	Greek	32P5013
	Hebrew	32P5014
	Hungarian	32P5015
	Iceland	32P5016
	Italian	32P5017
	Japanese	32P5018
	Korean	32P5019
	LA Spanish	32P5020
	Norwegian	32P5021

	Keyboards (Standard PS/2 Black) - Machine Type 6790	
	Polish	32P5022
	Portugese	32P5023
	Romanian	32P5024
	Russian	32P5025
	Russian/Cy	32P5026
	Serbian/Cyrillic	32P5027
	Slovak	32P5028
	Spanish	32P5029
	Swedish/Finn	32P5030
	Swiss F/G	32P5031
	Thailand	32P5032
	Turkish EURO Phase I	32P5033
	Turkish EURO Phase II	32P5034
	UK English	32P5035
	US International	32P5036
	Yugoslav/Latin	32P5037
	Brazil/Portugese	32P5038

	Keyboards (Standard PS/2 White) - Machine Type 6790	
	US English	32P5040
	Arabic	32P5041
	Belgian/French	32P5042
	Belgian/UK	32P5043
	Bulgarian	32P5044
	Chinese/US	32P5045
	Czech	32P5046
	Danish	32P5047
	Dutch	32P5048
	French	32P5049
	French Canadian 058	32P5050
	French Canadian 445	32P5051
	German	32P5052
	Greek	32P5053
	Hebrew	32P5054
	Hungarian	32P5055
	Iceland	32P5056
	Italian	32P5057
	Japanese	32P5058
	Korean	32P5059
	LA Spanish	32P5060
	Norwegian	32P5061

Keyboards (Standard PS/2 White) - Machine Type 6790		
	Polish	32P5062
	Portugese	32P5063
	Romanian	32P5064
	Russian	32P5065
	Russian/Cy	32P5066
	Serbian/Cyrillic	32P5067
	Slovak	32P5068
	Spanish	32P5069
	Swedish/Finn	32P5070
	Swiss F/G	32P5071
	Thailand	32P5072
	Turkish EURO Phase I	32P5073
	Turkish EURO Phase II	32P5074
	UK English	32P5075
	US International	32P5076
	Yugoslav/Latin	32P5077
	Brazil/Portugese	32P5078

Keyboards (Fullwidth White) - Machine Type 6790		
	Brazil/Portugese	32P5178
	Brazil/Portugese (optional)	89P8344

Power Cords - Machine Type 6790		
	Line Cord	6952301
	Line Cord	13F9939
	Line Cord	1838576
	Line Cord	13F9978
	Line Cord	14F0032
	Line Cord	13F9996
	Line Cord	14F0068
	Line Cord	36L8879
	Line Cord	02K0545
	Line Cord	14F0086
	Line Cord	14F0014
	Line Cord	14F0050

Machine Type 6791		
1	Top Cover Assembly (Pearl White) (models 11A 11T 11C 11M 11V 11D 11J 21A 21T 21C 21M 21V 21D 21J 22A 22T 22C 22M 22V 22D 22J 31A 31T 31C 31M 31D 31J)	49P0173

	Machine Type 6791	
1	Top Cover Assembly (Stealth Black) (models 11U 11F 11S 11P 11G 21U 21F 21S 21P 21G 22U 22F 22S 22P 22G 31U 31F 31S 31P 31G)	49P0174
2	Planar EMC Shield Kit (all models)	25P0078
3	Retention Module Kit (all models)	24P4811
3	Fan Sink (1.9-2.2GHz) (models 31U 31F 31S 31P 31G 31A 31T 31C 31M 31V 31D 31J 11U 11F 11S 11P 11G 11A 11T 11C 11M 11V 11D 11J 21U 21F 21S 21P 21G 21A 21T 21C 21M 21V 21D 21J 22U 22F 22S 22P 22G 22A 22T 22C 22M 22V 22D 22J)	32P4004
3	Processor - Intel P4 1.6GHz (models 11U 11F 11S 11P 11G 11A 11T 11C 11M 11V 11D 11J)	33P0963
3	Processor - Intel P4 1.8GHz (models 21U 21F 21S 21P 21G 21A 21T 21C 21M 21V 21D 21J 22U 22F 22S 22P 22G 22A 22T 22C 22M 22V 22D 22J)	33P0965
3	Processor - Intel P4 2.0GHz (models 31U 31F 31S 31P 31G 31A 31T 31C 31M 31V 31D 31J)	25P6177
4	128MB Memory (models 11U 11F 11S 11P 11G 11A 11T 11C 11M 11V 11D 11J 22U 22F 22S 22P 22G 22A 22T 22C 22M 22V 22D 22J)	10K0058
4	256MB Memory (models 21U 21F 21S 21P 21G 21A 21T 21C 21M 21V 21D 21J 31U 31F 31S 31P 31G 31A 31T 31C 31M 31V 31D 31J)	10K0060
5	System Board W/O POV2 Card (models 11U 11F 11S 11P 11G 11A 11T 11C 11M 11V 11D 11J 21U 21F 21S 21P 21G 21A 21T 21C 21M 21V 21D 21J 22U 22F 22S 22P 22G 22A 22T 22C 22M 22V 22D 22J 31U 31F 31S 31P 31G 31A 31T 31C 31M 31V 31D 31J)	73P0546
6	5.25-in. DASD Bracket (all models)	24P9875
7	CD-ROM Drive 48X (Black) (models 11U 11F 11S 11P 11G 21U 21F 21S 21P 21G 22U 22F 22S 22P 22G 31U 31F 31S 31P 31G)	33P3203
7	CD-ROM Drive 48X (Black) (models 11U 11F 11S 11P 11G 21U 21F 21S 21P 21G 22U 22F 22S 22P 22G 31U 31F 31S 31P 31G)	33P3207
7	CD-ROM Drive 48X (Black) (models 11U 11F 11S 11P 11G 21U 21F 21S 21P 21G 22U 22F 22S 22P 22G 31U 31F 31S 31P 31G)	33P3215
7	CD-ROM Drive 48X (Black) (models 11U 11F 11S 11P 11G 21U 21F 21S 21P 21G 22U 22F 22S 22P 22G 31U 31F 31S 31P 31G)	33P3211
7	CD-ROM Drive 48X (White) (models 11A 11T 11C 11M 11V 11D 11J 21A 21T 21C 21M 21V 21D 21J 22A 22T 22C 22M 22V 22D 22J 31A 31T 31C 31M 31V 31D 31J)	33P3201
7	CD-ROM Drive 48X (White) (models 11A 11T 11C 11M 11V 11D 11J 21A 21T 21C 21M 21V 21D 21J 22A 22T 22C 22M 22V 22D 22J 31A 31T 31C 31M 31V 31D 31J)	33P3205
7	CD-ROM Drive 48X (White) (models odels 11A 11T 11C 11M 11V 11D 11J 21A 21T 21C 21M 21V 21D 21J 22A 22T 22C 22M 22V 22D 22J 31A 31T 31C 31M 31V 31D 31J)	33P3209
8	5.25-in. EMC Shield (all models)	19K5548

	Machine Type 6791	
9	3.5-in. 1.44 M 2-mode Floppy Disk Drive (models 11U 11F 11S 11P 11G 11M 11V 11D 21U 21F 21S 21P 21G 21M 21V 21D 22U 22F 22S 22P 22G 22M 22V 22D 31U 31F 31S 31P 31G 31M 31V 31D)	75H9550
9	3.5-in. 1.44 M 3-mode Floppy Disk Drive (models 11A 11T 11C 21A 21T 21C 31A 31T 31C 11J 21J 22J 31J)	19K1543
10	40GB Hard Drive Value EIDE ATA-100 (models 11U 11F 11S 11P 11G 11A 11T 11C 11M 11V 11D 11J 21U 21F 21S 21P 21G 21A 21T 21C 21M 21V 21D 21J 22U 22F 22S 22P 22G 22A 22T 22C 22M 22V 22D 22J 31U 31F 31S 31P 31G 31A 31T 31C 31M 31V 31D 31J)	19K1568
11	DASD Rail Soft Mount Assembly (blue) (all models)	19K5331
11	DASD Rail Soft Mount Assembly (yellow) (all models)	23P1328
12	3.5-in. Floppy Disk Drive Bracket (all models)	24P9874
13	Speaker Assembly (all models)	00N5151
14	Power Supply 160W PFC (models 11U 11F 11S 11G 11A 11T 11J 21U 21F 21S 21G 21A 21T 21J 22U 22F 22S 22G 22A 22T 22J 31U 31F 31S 31G 31A 31T 31J 11M 11V 11D 21M 21V 21D 22M 22V 22D 31M 31V 31D)	24P6829
14	Power Supply 160W Wide Ranging (models 11P 11C 21P 21C 22P 22C 31P 31C)	49P2131
15	Basic Chassis Assembly (all models)	49P0175
16	I/O Cam Bracket (all models)	24P9869
17	Air Duct (all models)	49P0163
18	Link Bracket (all models)	25P5032
	Dual USB Cable (all models)	22P1188
	Planar Locating Label (all models)	24P9864
	Bezel Kit (Pearl White) (models 11A 11T 11C 11M 11V 11D 11J 21A 21T 21C 21M 21V 21D 21J 22A 22T 22C 22M 22V 22D 22J 31A 31T 31C 31M 31D 31J)	24P9867
	Bezel Kit (Stealth Black) (models 11U 11F 11S 11P 11G 21U 21F 21S 21P 21G 22U 22F 22S 22P 22G 31U 31F 31S 31P 31G)	24P9868
	Primary IDE Cable (all models)	24P9870
	Floppy Disk Drive Cable (all models)	24P9871
	Secondary IDE Cable (all models)	24P9872
	Pivot Lock 3.5-in. Floppy Disk Drive (all models)	24P9876
	Pivot Lock 5.25-in. DASD (all models)	24P9877
	Misc. Hardware Kit (all models)	24P9878
	CD-ROM Audio Cable (all models)	75H9219
	Power/LED Cable Assembly (all models)	37L5092
	Stand (Pearl White) (all except "G" models)	25P5034
	Bottom Foot (all models)	03K9655
	Bottom Foot (Pearl White) (all except "G" models)	25P5035
	Air Duct w/fan (all models)	24P9880
	Battery, 3.0V (all models)	33F8354

Machine Type 6791		
	Mouse 2-button PS/2 (Black) (models 11U 11F 11S 11P 11G 21U 21F 21S 21P 21G 22U 22F 22S 22P 22G 31U 31F 31S 31P 31G)	10L6149
	Mouse 2-button PS/2 (White) (models 11A 11T 11C 11M 11V 11D 11J 21A 21T 21C 21M 21V 21D 21J 22A 22T 22C 22M 22V 22D 22J 31A 31T 31C 31M 31V 31D 31J)	10L6145
	16MB nVidia Vanta 4XAGP (models 11U 11F 11S 11P 11G 11A 11T 11C 11M 11V 11D 11J 21U 21F 21S 21P 21G 21A 21T 21C 21M 21V 21D 21J 22U 22F 22S 22P 22G 22A 22T 22C 22M 22V 22D 22J 31U 31F 31S 31P 31G 31A 31T 31C 31M 31V 31D 31J)	25P4058

Recovery CDs Win 2000 - Machine Type 6791		
	US (models 11U 21U 22U 31U)	59P1181
	AP (models 11A 11D 21A 21D 22A 22D 31A 31D)	59P1184
	UK (models 11G 21G 22G 31G)	59P1187
	FR (models 11G 21G 22G 31G)	59P1190
	GR (models 11G 21G 22G 31G)	59P1193
	LA (models 11S 21S 22S 31S)	59P1205
	IT (models 11G 21G 22G 31G)	59P1202
	CF (models 11F 21F 22F 31F)	59P1199
	BR (models 11P 21P 22P 31P)	59P1235
	SP (models 11G 21G 22G 31G)	59P1208
	DK (models 11G 21G 22G 31G)	59P1220
	NL (models 11G 21G 22G 31G)	59P1211
	AE (models 11G 21G 22G 31G)	59P1196
	SW (models 11G 21G 22G 31G)	59P1229
	HB (models 11G 21G 22G 31G)	59P1232
	FI (models 11G 21G 22G 31G)	59P1223
	NO (models 11G 21G 22G 31G)	59P1226
	PL (models 11G 21G 22G 31G)	59P1238
	PO (models 11G 21G 22G 31G)	59P1217
	RU (models 11G 21G 22G 31G)	59P1244
	HU (models 11G 21G 22G 31G)	59P1247
	CZ (models 11G 21G 22G 31G)	59P1241
	TR (models 11G 21G 22G 31G)	59P1250
	TH (models 11T 21T 22T 31T)	59P1253
	GK (models 11G 21G 22G 31G)	59P1214
	Japanese (models 11J 21J 22J 31J)	62P4732
	Simplified Chinese (models 11C 21C 22C 31C)	62P8740
	Taiwan-TC (models 11V 21V 22V 31V)	62P8741
	Hong Kong-TC (models 11M 21M 22M 31M)	62P8742

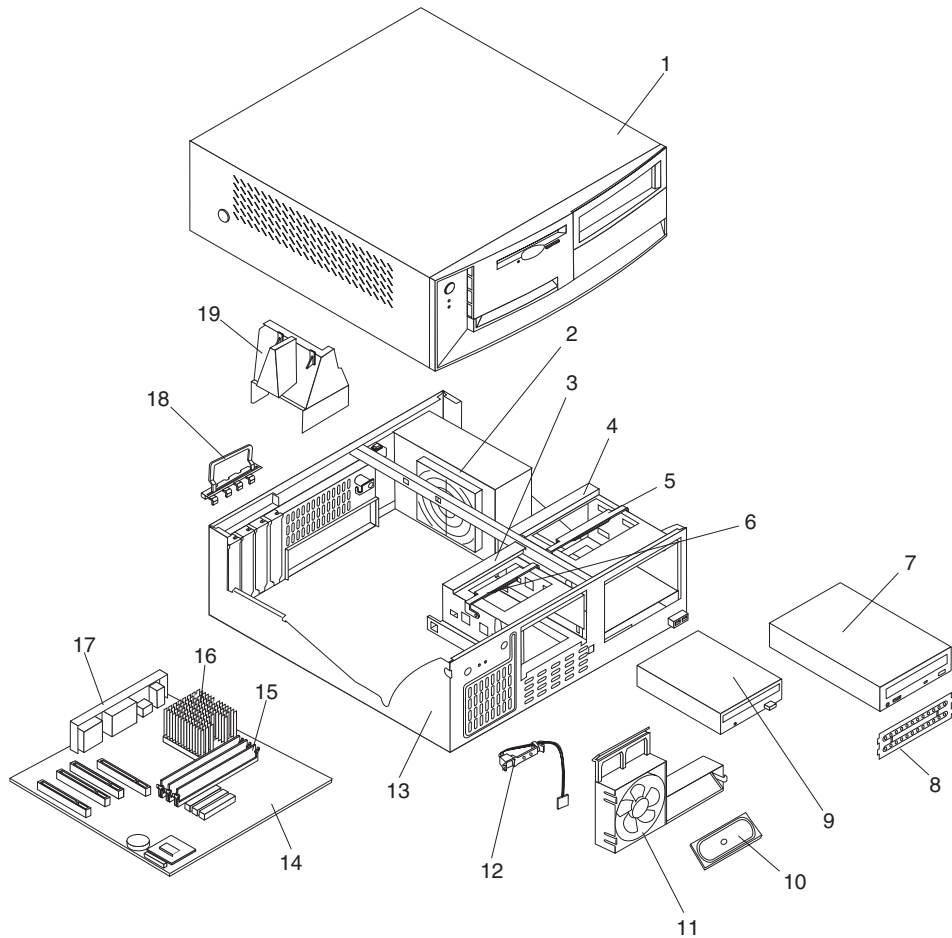
	Keyboards (Standard PS/2 Black) - Machine Type 6791	
	US English	32P5000
	Arabic	32P5001
	Belgian/French	32P5002
	Belgian/UK	32P5003
	Bulgarian	32P5004
	Chinese/US	32P5005
	Czech	32P5006
	Danish	32P5007
	Dutch	32P5008
	French	32P5009
	French Canadian 058	32P5010
	French Canadian 445	32P5011
	German	32P5012
	Greek	32P5013
	Hebrew	32P5014
	Hungarian	32P5015
	Iceland	32P5016
	Italian	32P5017
	Japanese	32P5018
	Korean	32P5019
	LA Spanish	32P5020
	Norwegian	32P5021
	Polish	32P5022
	Portugese	32P5023
	Romanian	32P5024
	Russian	32P5025
	Russian/Cy	32P5026
	Serbian/Cyrillic	32P5027
	Slovak	32P5028
	Spanish	32P5029
	Swedish/Finn	32P5030
	Swiss F/G	32P5031
	Thailand	32P5032
	Turkish EURO Phase I	32P5033
	Turkish EURO Phase II	32P5034
	UK English	32P5035
	US International	32P5036
	Yugoslav/Latin	32P5037
	Brazil/Portugese	32P5038

	Keyboards (Standard PS/2 White) - Machine Type 6791	
	US English	32P5040
	Arabic	32P5041
	Belgian/French	32P5042
	Belgian/UK	32P5043
	Bulgarian	32P5044
	Chinese/US	32P5045
	Czech	32P5046
	Danish	32P5047
	Dutch	32P5048
	French	32P5049
	French Canadian 058	32P5050
	French Canadian 445	32P5051
	German	32P5052
	Greek	32P5053
	Hebrew	32P5054
	Hungarian	32P5055
	Iceland	32P5056
	Italian	32P5057
	Japanese	32P5058
	Korean	32P5059
	LA Spanish	32P5060
	Norwegian	32P5061
	Polish	32P5062
	Portugese	32P5063
	Romanian	32P5064
	Russian	32P5065
	Russian/Cy	32P5066
	Serbian/Cyrillic	32P5067
	Slovak	32P5068
	Spanish	32P5069
	Swedish/Finn	32P5070
	Swiss F/G	32P5071
	Thailand	32P5072
	Turkish EURO Phase I	32P5073
	Turkish EURO Phase II	32P5074
	UK English	32P5075
	US International	32P5076
	Yugoslav/Latin	32P5077
	Brazil/Portugese	32P5078

Power Cords - Type 6791		
Line Cord		6952301
Line Cord		13F9939
Line Cord		1838576
Line Cord		13F9978
Line Cord		14F0032
Line Cord		13F9996
Line Cord		14F0068
Line Cord		36L8878
Line Cord		02K0545
Line Cord		14F0086
Line Cord		14F0014
Line Cord		14F0050

Desktop Model

Types 2273, 6349, 6792, and 6793



	Machine Type 2273	
1	Top Cover Assembly (Pearl White) (models KAA KAJ KAD KAW KAN KAR)	06P2732
1	Top Cover Assembly (Stealth Black) (models KAU KAS KAG KAP KAY)	19K7644
2	Power Supply 185W PFC (models KAU KAS KAA KAJ KAD KAG KAY KAW KAR)	24P6883
2	Power Supply 185W Wide Ranging (China) (models KAP KAN)	24P6885
3	3.5-in. DASD Bracket (all models)	25P4988
4	5.25-in. DASD Bracket (all models)	09N5746
5	Handle - 5.25-in. DASD Bracket Locking (all models)	09N5747
6	Handle - 3.5-in. DASD Bracket Locking (all models)	09N5748
7	CD-ROM Drive 48X (Black) (models KAU KAS KAG KAP KAY)	33P3203
7	CD-ROM Drive 48X (Black) (models KAU KAS KAG KAP KAY)	33P3207
7	CD-ROM Drive 48X (Black) (models KAU KAS KAG KAP KAY)	33P3215
7	CD-ROM Drive 48X (Black) (models KAU KAS KAG KAP KAY)	33P3211
7	CD-ROM Drive 48X (White) (models KAA KAJ KAD KAW KAN KAR)	33P3201
7	CD-ROM Drive 48X (White) (models KAA KAJ KAD KAW KAN KAR)	33P3205
7	CD-ROM Drive 48X (White) (models KAA KAJ KAD KAW KAN KAR)	33P3209
8	5.25-in. EMC Shield (all models)	19K5548
9	3.5-in. 1.44 M 2-mode Floppy Disk Drive (models KAU KAS KAD KAG KAP KAY KAW KAN KAR)	75H9550
9	3.5-in. 1.44 M 2-mode Floppy Disk Drive (models KAA KAJ)	19K1543
10	Speaker Assembly - Soldered terminals (all models)	00N5151
10	Speaker Assembly - Spade terminals (all models)	01K4909
11	60mm Fan and bracket assembly (all models)	22P3635
12	Control Panel (power switch) (all models)	37L5092
13	Chassis Assembly (all models)	25P4682
14	System Board W/O POV2 Card (models KAU KAS KAA KAJ KAD KAG KAP KAY KAW KAN KAR)	73P0544
15	256MB Memory (models KAU KAS KAA KAJ KAD KAG KAP KAY KAW KAN KAR)	10K0060
16	Processor - Intel P4 1.8GHz (models KAU KAS KAA KAJ KAD KAG KAP KAY KAW KAN KAR)	33P0965
16	Fan Sink (models KAU KAS KAA KAJ KAD KAG KAP KAY KAW KAN KAR)	32P4004
16	Retention Module Kit (all models)	24P4811
17	EMC shield (all models)	25P0078

Machine Type 2273		
18	I/O Cam Bracket (all models)	09N5734
19	Air Baffle (all models)	06P2733
19	Fan Duct (all models)	32P4707
	Battery, 3.0V	33F8354
	Bezel Kit (Pearl White) (models KAA KAJ KAD KAW KAN KAR)	09N5732
	Bezel Kit (Stealth Black) (models KAU KAS KAG KAP KAY)	19K7645
	Planar Locating Label (all models)	25P4683
	CDT Blue Nameplate (all models)	09N5733
	DASD Rail Kit Soft Mount Assembly w/Clip (all models)	19K5331
	C2 cable (all models)	09K9827
	Primary IDE Cable (all models)	37L4525
	Secondary IDE Cable (all models)	37L5098
	Floppy Disk Drive Cable (all models)	33L2596
	CD-ROM Audio Cable (all models)	75H9219
	Fan/Speaker Bracket (all models)	09N5763
	Miscellaneous Hardware Kit (all models)	09N5764
	40GB Hard Drive 7200rpm EIDE ATA-100 (models KAU KAS KAA KAJ KAD KAG KAP KAY KAW KAN KAR)	19K1568
	Mouse 2-button PS/2 (Black) (models KAU KAS KAG KAP KAY)	10L6149
	Mouse 2-button PS/2 (White) (models KAA KAJ KAD KAW KAN KAR)	10L6145
	16MB nVidia Vanta 4XAGP (models KAU KAS KAA KAJ KAD KAG KAP KAY KAW KAN KAR)	25P4058
	Radeon VE Full Hight 64MB (ATI) (models 2JU 3KU 44U)	49P0278

Keyboards (PC Next) - Machine Type 2273		
	US English - Black (models KAU KAS KAD KAP KAY)	02K0860
	US English - White (models KAA KAW KAN KAR)	02K0805
	Japan - White (models KAJ)	02K0844

Power Cords - Type 2273		
	Line Cord (models KAU KAS KAA KAG KAP KAW)	6952301
	Line Cord (models KAA)	13F9939
	Line Cord (models KAG KAA KAR)	13F9978
	Line Cord (models KAG KAA)	14F0032
	Line Cord (models KAG)	13F9996
	Line Cord (models KAS KAP KAY KAG)	14F0068
	Line Cord (models KAY)	36L8879
	Line Cord (models KAJ)	1838576

Power Cords - Type 2273		
	Line Cord (models KAN)	02K0545
	Line Cord (models KAG)	14F0086
	Line Cord (models KAG KAA)	14F0014
	Line Cord (models KAG)	14F0050

Machine Type 6349		
1	Top Cover Assembly (Pearl White) (models 16G 18G 22G 24G 32G 34G 71G 72G 73G 74G 75G 76G 26A 27A 28A 7AG 7BG 7EG 7FG 7CG 7DG 7GG 7HG)	06P2732
1	Top Cover Assembly (Stealth Black) (models 91S 91P 11U 92S 92P 17U 93S 93P 21U 21F 23U 23F 94S 94P 95S 95P 31U 31F 33U 33F 96S 96P CTO)	19K7644
2	Power Supply 185W PFC (models 91S 11U 92S 16G 17U 18G 93S 21U 21F 22G 23U 23F 24G 94S 95S 31U 31F 32G 33U 33F 34G 96S CTO 71G 72G 73G 74G 75G 76G 26A 27A 28A 7AG 7BG 7EG 7FG 7CG 7DG 7GG 7HG)	24P6883
2	Power Supply 185W Wide Ranging (China) (models 91P 92P 93P 94P 95P 96P)	24P6885
3	3.5-in. DASD Bracket (all models)	25P4988
4	5.25-in. DASD Bracket (all models)	09N5746
5	Handle - 5.25-in. DASD Bracket Locking	09N5747
6	Handle - 3.5-in. DASD Bracket Locking	09N5748
7	CD-ROM Drive 48X (Black) (models 11U 17U 21U 21F 23U 23F 31U 31F 33U 33F CTO)	33P3203
7	CD-ROM Drive 48X (Black) (models 11U 17U 21U 21F 23U 23F 31U 31F 33U 33F CTO)	33P3207
7	CD-ROM Drive 48X (Black) (models 11U 17U 21U 21F 23U 23F 31U 31F 33U 33F CTO)	33P3215
7	CD-ROM Drive 48X (Black) (models 11U 17U 21U 21F 23U 23F 31U 31F 33U 33F CTO)	33P3211
7	CD-ROM 48X (White) (models 16G 18G 22G 24G 32G 34G 71G 72G 73G 74G 75G 76G 26A 27A 28A 7AG 7BG 7EG 7FG 7CG 7DG 7GG 7HG)	33P3201
7	CD-ROM 48X (White) (models 16G 18G 22G 24G 32G 34G 71G 72G 73G 74G 75G 76G 26A 27A 28A 7AG 7BG 7EG 7FG 7CG 7DG 7GG 7HG)	33P3205
7	CD-ROM 48X (White) (models 16G 18G 22G 24G 32G 34G 71G 72G 73G 74G 75G 76G 26A 27A 28A 7AG 7BG 7EG 7FG 7CG 7DG 7GG 7HG)	33P3209
7	DVD-ROM 16X/48X Black (model CTO)	33P3259
7	CD/RW 16X/10X/40X Black (model CTO)	24P3627
7	CD/RW 16X/10X/40X Black (model CTO)	24P3631
7	CD/RW 48X/32X/48X Black (Universal) (model CTO)	26K5376
7	DVD-ROM/CD-RW Combo Black (model CTO)	33P3227
7	DVD RAM 9.4GB 2X/6X/24X Black (model CTO)	24P3615
8	5.25-in. EMC Shield (all models)	19K5296

	Machine Type 6349	
9	3.5-in. 1.44 M 2-mode Floppy Disk Drive (all models)	75H9550
10	Speaker Assembly - Soldered terminals (model CTO)	00N5151
10	Speaker Assembly - Spade terminals (model CTO)	01K4909
11	Fan-Speaker bracket (all models)	09N5763
12	Control Panel (power switch) (all models)	37L5092
13	Chassis Assembly (all models)	25P4682
14	System Board W/O POV2 Card (models 91S 91P 11U 92S 92P 16G 17U 18G 93S 93P 21U 21F 22G 23U 23F 24G 94S 94P 95S 95P 31U 31F 32G 33U 33F 34G 96S 96P CTO 71G 72G 73G 74G 75G 76G 26A 27A 28A 7AG 7BG 7EG 7FG 7CG 7DG 7GG 7HG)	73P0544
15	64MB Memory (model CTO)	10K0056
15	128MB Memory (models 92S 92P 16G 17U 18G 93S 93P 21U 21F 22G 23U 23F 24G 94S 94P 95S 95P 31U 31F 32G 33U 33F 34G 96S 96P CTO 71G 72G 73G 74G 75G 76G 26A 27A 28A 7AG 7BG 7EG 7FG 7CG 7DG 7GG 7HG)	10K0058
15	256MB Memory (models 91S 91P 11U CTO)	10K0060
16	Fan Sink (1.9 - 2.2GHz) (model CTO 91S 91P 11U 92S 92P 16G 17U 18G 93S 93P 21U 21F 22G 23U 23F 24G 94S 94P 95S 95P 31U 31F 32G 33U 33F 34G 96S 96P 71G 72G 73G 74G 75G 76G 26A 27A 28A 7AG 7BG 7EG 7FG 7CG 7DG 7GG 7HG)	32P4004
16	Retention Module Kit (all models)	24P4811
16	Processor - Intel P4 1.5GHz (model 91S 91P 11U 92S 92P 16G 17U 18G CTO 71G 72G)	33P0961
16	Processor - Intel P4 1.6GHz (models 93S 93P 21U 21F 22G 23U 23F 24G 94S 94P CTO 73G 74G 26A 27A 28A 7GG)	33P0963
16	Processor - Intel P4 1.7GHz (models 7AG 7BG 7EG 7FG 7CG 7HG)	49P0189
16	Processor - Intel P4 1.8GHz (models 95S 95P 31U 31F 32G 33U 33F 34G 96S 96P CTO 75G 76G)	33P0965
16	Processor - Intel P4 2.0GHz (model CTO)	25P6177
17	Planar Shield (all models)	25P4688
18	I/O Cam Bracket (all models)	09N5734
19	Air Baffle (all models)	06P2733
19	Fan Duct (all models)	32P4707
	Bezel Kit (Pearl White) (models 16G 18G 22G 24G 32G 34G 71G 72G 73G 74G 75G 76G 26A 27A 28A 7AG 7BG 7EG 7FG 7CG 7DG 7GG 7HG)	09N5732
	Bezel Kit (Stealth Black) (models 91S 91P 11U 92S 92P 17U 93S 93P 21U 21F 23U 23F 94S 94P 95S 95P 31U 31F 33U 33F 96S 96P CTO)	19K7645
	Planar Locating Label (all models)	25P4683
	CDT Blue Nameplate (all models)	09N5733
	DASD Rail Kit Soft Mount Assembly w/Clip (all models)	19K5331
	DASD Rail Kit Soft Mount Assembly (all models)	23P1328
	Foot (4) (all models)	03K9655

	Machine Type 6349	
	Primary IDE Cable (all models)	37L4525
	Secondary IDE Cable (all models)	37L5098
	Secondary IDE Cable (all models)	09N5929
	Floppy Disk Drive Cable (all models)	33L2596
	CD-ROM Audio Cable (all models)	75H9219
	Fan/Speaker Bracket (all models)	09N5763
	Miscellaneous Hardware Kit (all models)	09N5764
	Fan Bracket Assembly - 60mm Fan (all models)	22P3635
	Battery, 3.0V (all models)	33F8354
	20GB Hard Drive Value EIDE ATA-100 (model CTO)	19K1560
	40GB Hard Drive Value EIDE ATA-100 (model CTO)	19K1562
	60GB Hard Drive Value EIDE ATA-100 (model CTO)	19K1581
	80GB Hard Drive Value EIDE ATA-100 (model CTO)	06P5237
	20GB Hard Drive 7200rpm EIDE ATA-100 (models 11U 16G 17U 18G 21U 21F 22G 23U 23F 24G 31U 31F 32G 33U 33F 34G CTO 71G 72G 73G 74G 75G 76G 7AG 7BG 7EG 7FG 7CG 7DG 7GG 7HG)	19K1565
	40GB Hard Drive 7200rpm EIDE ATA-100 (models 94S 94P 96S 96P CTO 91S 91P 92S 92P 93S 93P 95S 95P 26A 27A 28A)	19K1568
	60GB Hard Drive 7200rpm EIDE ATA-100 (model CTO)	19K1570
	80GB Hard Drive 7200rpm EIDE ATA-100 (model CTO)	24P3665
	Mouse 2-button PS/2 (Black) (models 91S 91P 11U 92S 92P 17U 93S 93P 21U 21F 23U 23F 94S 94P 95S 95P 31U 31F 33U 33F 96S 96P CTO)	10L6149
	Mouse 2-button PS/2 (White) (models 16G 18G 22G 24G 32G 34G 71G 72G 73G 74G 75G 76G)	10L6145
	Mouse USB ScrollPoint III (model CTO)	24P0485
	16MB nVidia Vanta 16MB-4XAGP (all models)	25P5157
	nVidia GeForce2 MX-VGA only (models CTO)	25P5848
	nVidia GeForce2 MX-VGA/TVout (model CTO)	22P1069
	64MB nVidia GeForce2 GTS Pro (model CTO)	22P1390
	56k V.90 data/fax PCI Modem (US) (model CTO)	19K2965
	1394 Firewire PCI-LP (model CTO)	22P6849
	PCMCIA/IEEE - 1394 Combo PCI-LP (model CTO)	TBD
	Jazz Infinity 2-piece Tier-1 (Black) (model CTO)	25P4726
	Power brick - US CE CF LA Taiwan (model CTO)	10K2587

	Recovery CDs Win 98 - Machine Type 6349	
	US Win 98 Recovery CD (models 11U 21U 31U CTO)	59P1100
	UK Win 98 Recovery CD (models 16G 22G 32G 71G 73G 75G 7AG 7EG)	59P1106
	FR Win 98 Recovery CD (models 16G 22G 32G 71G 73G 75G 7AG 7EG)	59P1109

	Recovery CDs Win 98 - Machine Type 6349	
	GR Win 98 Recovery CD (models 16G 22G 32G 71G 73G 75G 7AG 7EG)	59P1112
	LA Win 98 Recovery CD (model 91S 93S 95S)	59P1124
	IT Win 98 Recovery CD (models 16G 22G 32G 71G 73G 75G 7AG 7EG)	59P1121
	CF Win 98 Recovery CD (models 21F 31F)	59P1118
	SV Win 98 Recovery CD (models 16G 22G 32G 71G 73G 75G 7AG 7EG)	59P1139
	BR Win 98 Recovery CD (models 16G 22G 32G 71G 73G 75G 7AG 7EG)	59P1151
	SP Win 98 Recovery CD (models 16G 22G 32G 71G 73G 75G 7AG 7EG)	59P1130
	DK Win 98 Recovery CD (models 16G 22G 32G 71G 73G 75G 7AG 7EG)	59P1136
	NL Win 98 Recovery CD (models 16G 22G 32G 71G 73G 75G 7AG 7EG)	59P1127
	AE Win 98 Recovery CD (models 16G 22G 32G 71G 73G 75G 7AG 7EG)	59P1115
	SV Win 98 Recovery CD (models 16G 22G 32G 71G 73G 75G 7AG 7EG)	59P1175
	HB Win 98 Recovery CD (models 16G 22G 32G 71G 73G 75G 7AG 7EG)	59P1154
	FI Win 98 Recovery CD (models 16G 22G 32G 71G 73G 75G 7AG 7EG)	59P1142
	NO Win 98 Recovery CD (models 16G 22G 32G 71G 73G 75G 7AG 7EG)	59P1145
	PL Win 98 Recovery CD (models 16G 22G 32G 71G 73G 75G 7AG 7EG)	59P1157
	PO Win 98 Recovery CD (models 16G 22G 32G 71G 73G 75G 7AG 7EG)	59P1148
	RU Win 98 Recovery CD (models 16G 22G 32G 71G 73G 75G 7AG 7EG)	59P1166
	HU Win 98 Recovery CD (models 16G 22G 32G 71G 73G 75G 7AG 7EG)	59P1169
	SL Win 98 Recovery CD (models 16G 22G 32G 71G 73G 75G 7AG 7EG)	59P1160
	CZ Win 98 Recovery CD (models 16G 22G 32G 71G 73G 75G 7AG 7EG)	59P1163
	TR Win 98 Recovery CD (models 16G 22G 32G 71G 73G 75G 7AG 7EG)	59P1172
	GK Win 98 Recovery CD (models 16G 22G 32G 71G 73G 75G 7AG 7EG)	59P1133

	Recovery CDs Win 2000 - Machine Type 6349	
	US (models 17U 23U 33U CTO)	59P1181
	UK (models 18G 24G 72G 74G)	59P1187
	FR (models 18G 24G 72G 74G)	59P1190

	Recovery CDs Win 2000 - Machine Type 6349	
	GR (models 18G 24G 72G 74G)	59P1193
	LA (models 92S 94S 96S)	59P1205
	IT (models 18G 24G 72G 74G)	59P1202
	CF (models 23F 33F)	59P1199
	BR (models 92P 94P 96P)	59P1235
	SP (models 18G 24G 72G 74G)	59P1208
	DK (models 18G 24G 72G 74G)	59P1220
	NL (models 18G 24G 72G 74G)	59P1211
	AE (models 18G 24G 72G 74G)	59P1196
	SW (models 18G 24G 72G 74G)	59P1229
	HB (models 18G 24G 72G 74G)	59P1232
	FI (models 18G 24G 72G 74G)	59P1223
	NO (models 18G 24G 72G 74G)	59P1226
	PL (models 18G 24G 72G 74G)	59P1238
	PO (models 18G 24G 72G 74G)	59P1217
	RU (models 18G 24G 72G 74G)	59P1244
	HU (models 18G 24G 72G 74G)	59P1247
	CZ (models 18G 24G 72G 74G)	59P1241
	TR (models 18G 24G 72G 74G)	59P1250
	GK (models 11G 21G 22G 31G 33G 72G 42G 3SG 74G)	59P1214

	Recovery CDs Win XP Pro - Machine Type 6349	
	US English (models 34G 76G 26A 27A 28A 7BG 7FG 7CG 7DG 7GG 7HG)	33P1962
	French (models 34G 76G 7BG 7FG 7CG 7DG 7GG 7HG)	33P1971
	German (models 34G 76G 7BG 7FG 7CG 7DG 7GG 7HG)	33P1974
	Italian (models 34G 76G 7BG 7FG 7CG 7DG 7GG 7HG)	33P1980
	Spanish (models 34G 76G 7BG 7FG 7CG 7DG 7GG 7HG)	33P1989
	Danish (models 34G 76G 7BG 7FG 7CG 7DG 7GG 7HG)	33P1992
	Netherlands (models 34G 76G 7BG 7FG 7CG 7DG 7GG 7HG)	33P1995
	Arabic Enabled (models 34G 76G 7BG 7FG 7CG 7DG 7GG 7HG)	33P1998
	Swedish (models 34G 76G 7BG 7FG 7CG 7DG 7GG 7HG)	33P2001
	Hebrew (models 34G 76G 7BG 7FG 7CG 7DG 7GG 7HG)	33P2004
	Finnish (models 34G 76G 7BG 7FG 7CG 7DG 7GG 7HG)	33P2007
	Norwegian (models 34G 76G 7BG 7FG 7CG 7DG 7GG 7HG)	33P2010
	Polish (models 34G 76G 7BG 7FG 7CG 7DG 7GG 7HG)	33P2013
	Portuguese (models 34G 76G 7BG 7FG 7CG 7DG 7GG 7HG)	33P2016
	Russian (models 34G 76G 7BG 7FG 7CG 7DG 7GG 7HG)	33P2019
	Hungarian (models 34G 76G 7BG 7FG 7CG 7DG 7GG 7HG)	33P2022
	Slovenian (models 34G 76G 7BG 7FG 7CG 7DG 7GG 7HG)	33P2025

	Recovery CDs Win XP Pro - Machine Type 6349	
	Czechoslovakian (models 34G 76G 7BG 7FG 7CG 7DG 7GG 7HG)	33P2028
	Turkish (models 34G 76G 7BG 7FG 7CG 7DG 7GG 7HG)	33P2031
	Slovakian (models 34G 76G 7BG 7FG 7CG 7DG 7GG 7HG)	33P2034
	Greek (models 34G 76G 7BG 7FG 7CG 7DG 7GG 7HG)	33P2040

	Keyboards (Standard PS/2 White) - Machine Type 6349	
	US English (models 26A 27A 28A 7AG 7BG 7EG 7FG 7CG 7DG 7GG 7HG 16G 18G 22G 24G 32G 34G 71G 72G 73G 74G 75G 76G)	32P5040
	Arabic (models 16G 18G 22G 24G 32G 34G 71G 72G 73G 74G 75G 76G 7AG 7BG 7EG 7FG 7CG 7DG 7GG 7HG)	32P5041
	Belgian/French (models 16G 18G 22G 24G 32G 34G 71G 72G 73G 74G 75G 76G 7AG 7BG 7EG 7FG 7CG 7DG 7GG 7HG)	32P5042
	Belgian/UK (models 16G 18G 22G 24G 32G 34G 71G 72G 73G 74G 75G 76G 7AG 7BG 7EG 7FG 7CG 7DG 7GG 7HG)	32P5043
	Bulgarian (models 16G 18G 22G 24G 32G 34G 71G 72G 73G 74G 75G 76G 7AG 7BG 7EG 7FG 7CG 7DG 7GG 7HG)	32P5044
	Czech (models 16G 18G 22G 24G 32G 34G 71G 72G 73G 74G 75G 76G 7AG 7BG 7EG 7FG 7CG 7DG 7GG 7HG)	32P5046
	Danish (models 16G 18G 22G 24G 32G 34G 71G 72G 73G 74G 75G 76G 7AG 7BG 7EG 7FG 7CG 7DG 7GG 7HG)	32P5047
	Dutch (models 16G 18G 22G 24G 32G 34G 71G 72G 73G 74G 75G 76G 7AG 7BG 7EG 7FG 7CG 7DG 7GG 7HG)	32P5048
	French (models 16G 18G 22G 24G 32G 34G 71G 72G 73G 74G 75G 76G 7AG 7BG 7EG 7FG 7CG 7DG 7GG 7HG)	32P5049
	German (models 16G 18G 22G 24G 32G 34G 71G 72G 73G 74G 75G 76G 7AG 7BG 7EG 7FG 7CG 7DG 7GG 7HG)	32P5052
	Greek (models 16G 18G 22G 24G 32G 34G 71G 72G 73G 74G 75G 76G 7AG 7BG 7EG 7FG 7CG 7DG 7GG 7HG)	32P5053
	Hebrew (models 16G 18G 22G 24G 32G 34G 71G 72G 73G 74G 75G 76G 7AG 7BG 7EG 7FG 7CG 7DG 7GG 7HG)	32P5054
	Hungarian (models 16G 18G 22G 24G 32G 34G 71G 72G 73G 74G 75G 76G 7AG 7BG 7EG 7FG 7CG 7DG 7GG 7HG)	32P5055
	Iceland (models 16G 18G 22G 24G 32G 34G 71G 72G 73G 74G 75G 76G 7AG 7BG 7EG 7FG 7CG 7DG 7GG 7HG)	32P5056
	Italian (models 16G 18G 22G 24G 32G 34G 71G 72G 73G 74G 75G 76G 7AG 7BG 7EG 7FG 7CG 7DG 7GG 7HG)	32P5057
	Norwegian (models 16G 18G 22G 24G 32G 34G 71G 72G 73G 74G 75G 76G 7AG 7BG 7EG 7FG 7CG 7DG 7GG 7HG)	32P5061
	Polish (models 16G 18G 22G 24G 32G 34G 71G 72G 73G 74G 75G 76G 7AG 7BG 7EG 7FG 7CG 7DG 7GG 7HG)	32P5062
	Portugese (models 16G 18G 22G 24G 32G 34G 71G 72G 73G 74G 75G 76G 7AG 7BG 7EG 7FG 7CG 7DG 7GG 7HG)	32P5063
	Romanian (models 16G 18G 22G 24G 32G 34G 71G 72G 73G 74G 75G 76G 7AG 7BG 7EG 7FG 7CG 7DG 7GG 7HG)	32P5064

	Keyboards (Standard PS/2 White) - Machine Type 6349	
	Russian (models 16G 18G 22G 24G 32G 34G 71G 72G 73G 74G 75G 76G 7AG 7BG 7EG 7FG 7CG 7DG 7GG 7HG)	32P5065
	Russian/Cy (models 16G 18G 22G 24G 32G 34G 71G 72G 73G 74G 75G 76G 7AG 7BG 7EG 7FG 7CG 7DG 7GG 7HG)	32P5066
	Serbian/Cyrillic (models 16G 18G 22G 24G 32G 34G 71G 72G 73G 74G 75G 76G 7AG 7BG 7EG 7FG 7CG 7DG 7GG 7HG)	32P5067
	Slovak (models 16G 18G 22G 24G 32G 34G 71G 72G 73G 74G 75G 76G 7AG 7BG 7EG 7FG 7CG 7DG 7GG 7HG)	32P5068
	Spanish (models 16G 18G 22G 24G 32G 34G 71G 72G 73G 74G 75G 76G 7AG 7BG 7EG 7FG 7CG 7DG 7GG 7HG)	32P5069
	Swedish/Finn (models 16G 18G 22G 24G 32G 34G 71G 72G 73G 74G 75G 76G 7AG 7BG 7EG 7FG 7CG 7DG 7GG 7HG)	32P5070
	Swiss F/G (models 16G 18G 22G 24G 32G 34G 71G 72G 73G 74G 75G 76G 7AG 7BG 7EG 7FG 7CG 7DG 7GG 7HG)	32P5071
	Turkish EURO Phase I (models 16G 18G 22G 24G 32G 34G 71G 72G 73G 74G 75G 76G 7AG 7BG 7EG 7FG 7CG 7DG 7GG 7HG)	32P5073
	Turkish EURO Phase II (models 16G 18G 22G 24G 32G 34G 71G 72G 73G 74G 75G 76G 7AG 7BG 7EG 7FG 7CG 7DG 7GG 7HG)	32P5074
	UK English (models 16G 18G 22G 24G 32G 34G 71G 72G 73G 74G 75G 76G 7AG 7BG 7EG 7FG 7CG 7DG 7GG 7HG)	32P5075
	US International (models 16G 18G 22G 24G 32G 34G 71G 72G 73G 74G 75G 76G 7AG 7BG 7EG 7FG 7CG 7DG 7GG 7HG)	32P5076
	Yugoslav/Latin (models 16G 18G 22G 24G 32G 34G 71G 72G 73G 74G 75G 76G 7AG 7BG 7EG 7FG 7CG 7DG 7GG 7HG)	32P5077

	Keyboards (Standard PS/2 Black) - Machine Type 6349	
	US English (models 11U 17U 21U 23U 31U 33U CTO)	32P5000
	French Canadian 058 (models 21F 23F 31F 33F)	32P5010
	French Canadian 445 (models 21F 23F 31F 33F)	32P5011
	LA Spanish (models 91S 92S 93S 94S 95S 96S)	32P5020
	Brazil/Portuguese (models 91P 92P 93P 94P 95P 96P)	32P5038

	Power Cords - Type 6349	
	Line Cord	6952301
	Line Cord	13F9939
	Line Cord	34G0222
	Line Cord	13F9978
	Line Cord	14F0032
	Line Cord	13F9996
	Line Cord	14F0068
	Line Cord	36L8879

	Power Cords - Type 6349	
	Line Cord	1838576
	Line Cord	02K0545
	Line Cord	14F0086
	Line Cord	14F0014
	Line Cord	14F0050

	Machine Type 6792	
1	Top Cover Assembly (Pearl White) (models 11G 11A 11T 11C 11M 11V 11D 11J 15G 21G 21A 21T 21C 21M 21V 21D 21J 22G 22A 22T 22C 22M 22V 22D 22J 26G 31G 31A 31T 31C 31M 31V 31D 31J 33G 27A 27T 28A 28T 29C 29M 29V 29D 2AC 2AM 2AV 2AD 3AA 3AT 3BC 3BM 3BV 3BD 3CC 3CM 3CV 3CD 33J 34J 35J 36J 37J 38J 1AA 1AT 1BA 1BT 1CA 1CT 16A 16T 17C 17M 17V 17D 18C 18M 18V 18D 19A 19T 71G 72G A1A A1C A1M A1V A1D A1J 1DA 1DT 2BG 2BA 2BT 2CC 2CM 2CV 2CD 1EJ 24A 3HJ 2HG 2HA 2HT 2HC 2HM 2HV 2HD 2HJ 3JG 3JA 3JT 3JC 3JM 3JV 3JD 3JJ 41G 42G 42A 42T 43G 43A 43T 45J 46J 16G 47J 48J 3PA 3PT 3QC 3QM 3QV 3QD 3RC 3RM 3RV 3RD 3SG 3SJ 3TJ 3UJ 3VJ 76G 77G B2G 78G 73G 74G)	06P2732
1	Top Cover Assembly (Stealth Black) (models 11U 11F 11S 11P 15U 15F 21U 21F 21S 21P 22U 22F 22S 22P 23U 23F 25U 25F 31U 31F 31S 31P 32U 32F CAU CBU CCU 24U 33U CTO 3DU 1GU 1GF 2DU 2DF 2GU 2GF 39U 3EU 3EF 2EU 3GU 3GF B1U B1F 2HU 2HF 2HS 2HP 2JU 3JU 3JF 3JS 3JP 3KU 3LJ 41S 41P 42U 42F 42S 42P 43U 43F 43S 43P 44U 45U 45F 75G CEU 3MU 3NU 3PU 3PF 3SU 3VU 3VF)	19K7644
2	Power Supply 185W PFC (models 11U 11F 11S 11G 11A 11T 11M 11V 11D 11J 15U 15F 15G 21U 21F 21S 21G 21A 21T 21M 21V 21D 21J 22U 22F 22S 22G 22A 22T 22M 22V 22D 22J 23U 23F 25U 25F 26G 31U 31F 31S 31G 31A 31T 31M 31V 31D 31J 32U 32F CAU CBU CCU CTO 24U 33U 33G 27A 27T 28A 28T 29M 29V 29D 2AM 2AV 2AD 3AA 3AT 3BM 3BV 3BD 3CM 3CV 3CD 33J 34J 35J 36J 37J 38J 1AA 1AT 1BA 1BT 1CA 1CT 16A 16T 17M 17V 17D 18M 18V 18D 19A 19T 71G 72G 3DU 16G 76G 77G A1A A1M A1V A1D A1J 1DA 1DT 1GU 1GF 2BG 2BA 2BT 2CM 2CV 2CD 2DU 2DF 2GU 2GF 39U 3EU 3EF 1EJ 24A 2EU 3GU 3GF 3HJ B1U B1F CDU 2HU 2HF 2HS 2HP 2HG 2HA 2HT 2HM 2HV 2HD 2HJ 2JU 3JU 3JF 3JS 3JP 3JG 3JA 3JT 3JM 3JV 3JD 3JJ 3KU 41S 41P 41G 42U 42F 42S 42P 42G 42A 42T 43U 43F 43S 43P 43G 43A 43T 44U 45U 45F 45J 46J 47J 48J 75G CEU 3MU 3NU 3PU 3PF 3PA 3PT 3SU 3SG 3SJ 3TJ 3UJ 3VU 3VF 3VJ B2G 78G 73G 74G MHU)	24P6883
2	Power Supply 185W Wide Ranging (China) (models 11P 11C 21P 21C 22P 22C 31P 31C CTO 29C 2AC 3BC 3CC 17C 18C A1C 2CC 2HC 3JC 3QC 3QM 3QV 3QD 3RC 3RM 3RV 3RD)	24P6885
3	3.5-in. DASD Bracket (all models)	25P4988
3	3.5-in. DASD Bracket (all models)	06P2734
4	5.25-in. DASD Bracket (all models)	09N5746
5	Handle - 5.25-in. DASD Bracket Locking	09N5747

	Machine Type 6792	
6	Handle - 3.5-in. DASD Bracket Locking	09N5748
7	CD-ROM Drive 48X (Black) (models 11U 11F 11S 11P 15U 15F 15G 21U 21F 21S 21P 22U 22F 22S 22P 25U 25F 31U 31F 31S 31P CAU CBU CCU CTO 24U 33U 3DU 1GU 1GF 2DU 2DF 2GU 2GF 39U 3EU 3EF 2EU 3GU 3GF B1U B1F 2HU 2HF 2HS 2HP 3LJ 41S 41P 42U 42F 42S 42P 43U 43F 43S 43P 45U 45F 75G 3MU 3NU 3PU 3PF 3SU 3VU 3VF MHU)	33P3203
7	CD-ROM 48X (White) (models 11G 11A 11T 11C 11M 11V 11D 11J 15G 21G 21A 21T 21C 21M 21V 21D 21J 22G 22A 22T 22C 22M 22V 22D 22J 26G 31G 31A 31T 31C 31M 31V 31D 31J 33G 27A 27T 28A 28T 29C 29M 29V 29D 2AC 2AM 2AV 2AD 3AA 3AT 3BC 3BM 3BV 3BD 3CC 3CM 3CV 3CD 33J 34J 35J 36J 1AA 1AT 1BA 1BT 1CA 1CT 16A 16T 17C 17M 17V 17D 18C 18M 18V 18D 19A 19T 71G 72G A1A A1C A1M A1V A1D A1J 1DA 1DT 2BG 2BA 2BT 2CC 2CM 2CV 2CD 1EJ 24A 3HJ 2HG 2HA 2HT 2HC 2HM 2HV 2HD 2HJ 41G 42G 42A 42T 43G 43A 43T 45J 46J 48J 16G 76G 77G 75G 3PA 3PT 3QC 3QM 3QV 3QD 3RC 3RM 3RV 3RD 3SG 3SJ 3TJ 3UJ 3VY B2G 78G 73G 74G)	33P3201
7	CD-ROM 48X (black) (models 11U 11F 11S 11P 15U 15F 15G 21U 21F 21S 21P 22U 22F 22S 22P 25U 25F 31U 31F 31S 31P CAU CBU CCU CTO 24U 33U 3DU 1GU 1GF 2DU 2DF 2GU 2GF 39U 3EU 3EF 2EU 3GU 3GF B1U B1F 2HU 2HF 2HS 2HP 3LJ 41S 41P 42U 42F 42S 42P 43U 43F 43S 43P 45U 45F 75G 3MU 3NU 3PU 3PF 3SU 3VU 3VF MHU)	33P3207
7	CD-ROM 48X (black) (models 11U 11F 11S 11P 15U 15F 15G 21U 21F 21S 21P 22U 22F 22S 22P 25U 25F 31U 31F 31S 31P CAU CBU CCU CTO 24U 33U 3DU 1GU 1GF 2DU 2DF 2GU 2GF 39U 3EU 3EF 2EU 3GU 3GF B1U B1F 2HU 2HF 2HS 2HP 3LJ 41S 41P 42U 42F 42S 42P 43U 43F 43S 43P 45U 45F 75G 3MU 3NU 3PU 3PF 3SU 3VU 3VF MHU)	33P3215
7	CD-ROM 48X (black) (models 11U 11F 11S 11P 15U 15F 15G 21U 21F 21S 21P 22U 22F 22S 22P 25U 25F 31U 31F 31S 31P CAU CBU CCU CTO 24U 33U 3DU 1GU 1GF 2DU 2DF 2GU 2GF 39U 3EU 3EF 2EU 3GU 3GF B1U B1F 2HU 2HF 2HS 2HP 3LJ 41S 41P 42U 42F 42S 42P 43U 43F 43S 43P 45U 45F 75G 3MU 3NU 3PU 3PF 3SU 3VU 3VF MHU)	33P3211
7	CD-ROM 48X (white) (models 11G 11A 11T 11C 11M 11V 11D 11J 15G 21G 21A 21T 21C 21M 21V 21D 21J 22G 22A 22T 22C 22M 22V 22D 22J 26G 31G 31A 31T 31C 31M 31V 31D 31J 33G 27A 27T 28A 28T 29C 29M 29V 29D 2AC 2AM 2AV 2AD 3AA 3AT 3BC 3BM 3BV 3BD 3CC 3CM 3CV 3CD 33J 34J 35J 36J 1AA 1AT 1BA 1BT 1CA 1CT 16A 16T 17C 17M 17V 17D 18C 18M 18V 18D 19A 19T 71G 72G A1A A1C A1M A1V A1D A1J 1DA 1DT 2BG 2BA 2BT 2CC 2CM 2CV 2CD 1EJ 24A 3HJ 2HG 2HA 2HT 2HC 2HM 2HV 2HD 2HJ 41G 42G 42A 42T 43G 43A 43T 45J 46J 48J 16G 76G 77G 75G 3PA 3PT 3QC 3QM 3QV 3QD 3RC 3RM 3RV 3RD 3SG 3SJ 3TJ 3UJ 3VY B2G 78G 73G 74G)	33P3205

	Machine Type 6792	
7	CD-ROM 48X (white) (models models 11G 11A 11T 11C 11M 11V 11D 11J 15G 21G 21A 21T 21C 21M 21V 21D 21J 22G 22A 22T 22C 22M 22V 22D 22J 26G 31G 31A 31T 31C 31M 31V 31D 31J 33G 27A 27T 28A 28T 29C 29M 29V 29D 2AC 2AM 2AV 2AD 3AA 3AT 3BC 3BM 3BV 3BD 3CC 3CM 3CV 3CD 33J 34J 35J 36J 1AA 1AT 1BA 1BT 1CA 1CT 16A 16T 17C 17M 17V 17D 18C 18M 18V 18D 19A 19T 71G 72G A1A A1C A1M A1V A1D A1J 1DA 1DT 2BG 2BA 2BT 2CC 2CM 2CV 2CD 1EJ 24A 3HJ 2HG 2HA 2HT 2HC 2HM 2HV 2HD 2HJ 41G 42G 42A 42T 43G 43A 43T 45J 46J 48J 16G 76G 77G 75G 3PA 3PT 3QC 3QM 3QV 3QD 3RC 3RM 3RV 3RD 3SG 3SJ 3TJ 3UJ 3VY B2G 78G 73G 74G)	33P3209
7	DVD-ROM 16X/48X Black (models 23U 23F 32U 32F CAU CBU CCU CTO 2JU 3JU 3JF 3JS 3JP 3KU 44U)	33P3259
7	DVD-ROM 16X/48X White (models 3JG 3JA 3JT 3JC 3JM 3JV 3JD 3JJ)	33P3279
7	DVD-ROM 16X/48X White (models 3JG 3JA 3JT 3JC 3JM 3JV 3JD 3JJ)	71P7355
7	CD/RW 16X/10X/40X Black (models CAU CBU CCU CTO)	24P3627
7	CD/RW 48X/32X/48X Black (models CAU CBU CCU CTO)	26K5376
7	CD/RW 16X/10X/40X White (models 37J 38J 47J 3UJ)	24P3625
7	CD/RW 16X/10X/40X White (models 37J 38J 47J 3UJ)	24P3629
7	CD/RW 48X/32X/48X White (models 37J 38J 47J 3UJ)	26K5375
7	DVD-ROM/CD-RW Combo Black (models CAU CBU CCU CTO)	33P3227
7	DVD RAM 9.4GB 2X/6X/24X Black (models CAU CBU CCU CTO)	24P3615
8	5.25-in. EMC Shield	19K5548
9	3.5-in. 1.44 M 2-mode Floppy Disk Drive (models 11U 11F 11S 11P 11G 11M 11V 11D 15U 15F 15G CAU 21U 21F 21S 21P 21G 21M 21V 21D 22U 22F 22S 22P 22G 22M 22V 22D 23U 23F 25U 25F 26G 24U CBU 24U 33U 33G CTO 29M 29V 29D 2AM 2AV 2AD 3BM 3BV 3BD 3CM 3CV 3CD 17C 17M 17V 17D 18C 18M 18V 18D 71G 72G 3DU A1C A1M A1V A1D 1DT 1GU 1GF 2BG 2BT 2CC 2CM 2CV 2CD 2DU 2DF 2GU 2GF 39U 3EU 3EF 2EU 3GU 3GF B1U B1F CDU 2HU 2HF 2HS 2HP 2HG 2HA 2HT 2HC 2HM 2HV 2HD 2HJ 2JU 3JU 3JF 3JS 3JP 3JG 3JA 3JT 3JC 3JM 3JV 3JD 3JJ 3KU 41S 41P 41G 42U 42F 42S 42P 42G 42A 42T 43U 16G 76G 77G 43F 43S 43P 43G 43A 43T 44U 45U 45F 45J 46J 47J 48J 75G CEU 3MU 3NU 3PU 3PF 3PT 3QC 3QM 3QV 3QD 3RC 3RM 3RV 3RD 3SU 3SG 3VU 3VF B2G 78G 73G 74G MHU)	75H9550
9	3.5-in. 1.44 M 3-mode Floppy Disk Drive (models 11A 11T 11C 21A 21T 21C 22A 22T 22C 11J 21J 22J CTO 27A 27T 28A 28T 29C 2AC 3AA 3AT 3BC 3CC 33J 34J 35J 36J 37J 38J 1AA 1AT 1BA 1BT 1CA 1CT 16A 16T 19A 19T A1A A1J 1DA 2BA 1EJ 24A 3HJ 3PA 3SJ 3TJ 3UJ 3VJ)	19K1543
10	Speaker Assembly - Soldered terminals (all models)	00N5151
10	Speaker Assembly - Spade terminals (all models)	01K4909
11	92mm Fan w/Grommets (all models)	33L2594

	Machine Type 6792	
12	Control Panel (power switch) (all models)	37L5092
13	Chassis Assembly (all models)	25P4682
14	System Board W/O POV2 Card (models 11U 11F 11S 11P 11G 11A 11T 11C 11M 11V 11D 11J 15U 15F 15G 21U 21F 21S 21P 21G 21A 21T 21C 21M 21V 21D 21J 22U 22F 22S 22P 22G 22A 22T 22C 22M 22V 22D 22J 23U 23F 25U 25F 26G 31U 31F 31S 31P 31G 31A 31T 31C 31M 31V 31D 31J 32U 32F CAU CBU CCU CTO 1AA 1AT 1BA 1BT 1CA 1CT 16A 16T 17C 17M 17V 17D 18C 18M 18V 18D 19A 19T 27A 27T 28A 28T 29C 29M 29V 29D 2AC 2AM 2AV 2AD 3AA 3AT 3BC 3BM 3BV 3BD 3CC 3CM 3CV 3CD 71G 72G 3DU A1A A1C A1M A1V A1D A1J 1DA 1DT 1GU 1GF 2BG 2BA 2BT 2CC 2CM 2CV 2CD 2DU 2DF 2GU 2GF 39U 3EU 3EF)	73P0546
14	System Board W/ POV2 Card (models 24U 33U 33G CTO 33J 34J 35J 36J 37J 38J 1EJ 24A 2EU 3GU 3GF 3HJ)	73P0545
14	System Board W/ POV2 Card (models B1U B1F CDU 2HU 2HF 2HS 2HP 2HG 2HA 2HT 2HC 2HM 2HV 2HD 2HJ 2JU 3JU 3JF 3JS 3JP 3JG 3JA 3JT 3JC 3JM 3JV 3JD 3JJ 3KU 41S 41P 41G 42U 42F 42S 42P 42G 42A 42T 43U 43F 43S 43P 43G 43A 43T 44U 75G CEU 3MU 3NU 3PU 3PF 3PA 3PT 3QC 3QM 3QV 3QD 3RC 3RM 3RV 3RD 16G 76G 77G B2G 78G 73G 74G MHU)	73P0544
14	System Board W/ POV2 Card (models 45U 45F 45J 46J 47J 48J 3SU 3SG 3SJ 3TJ 3UJ 3VU 3VF 3VJ)	73P0543
15	64MB Memory (model CTO)	10K0056
15	128MB Memory (models 11U 11F 11S 11P 11G 11A 11T 11C 11M 11V 11D 11J 15U 15F 15G 21U 21F 21S 21P 21G 21A 21T 21C 21M 21V 21D 21J 25U 25F 26G CAU CBA CCU CTO 27A 27T 28A 28T 29C 29M 29V 29D 2AC 2AM 2AV 2AD 3BC 3BM 3BV 3BD 3CC 3CM 3CV 3CD 35J 36J 37J 1AA 1AT 1BA 1BT 1CA 1CT 16A 16T 17C 17M 17V 17D 18C 18M 18V 18D 19A 19T 71G 72G A1A A1C A1M A1V A1D A1J 1DA 1DT 1GU 1GF 2BG 2BA 2BT 2CC 2CM 2CV 2CD 2GU 2GF 1EJ B1U B1F CDU 41S 41P 41G 75G CEU 3QC 3QM 3QV 3QD 3RC 3RM 3RV 3RD 16G 76G 77G 78G 73G 74G)	10K0058
15	256MB Memory (models 22U 22F 22S 22P 22G 22A 22T 22C 22M 22V 22D 22J 23U 23F 31U 31F 31S 31P 31G 31A 31T 31C 31M 31V 31D 31J 32U 32F 24U 33U 33G CTO 3AA 3AT 33J 34J 38J 3DU 2DU 2DF 39U 3EU 3EF 24A 2EU 3GU 3GF 3HJ 2HU 2HF 2HS 2HP 2HG 2HA 2HT 2HC 2HM 2HV 2HD 2HJ 2JU 3JU 3JF 3JS 3JP 3JG 3JA 3JT 3JC 3JM 3JV 3JD 3JJ 3KU 42U 42F 42S 42P 42G 42A 42T 43U 43F 43S 43P 43G 43A 43T 44U 45U 45F 45J 46J 47J 48J 3MU 3NU 3PU 3PF 3PA 3PT 3SU 3SG 3SJ 3TJ 3UJ 3VU 3VF 3VJ B2G MHU)	10K0060
16	Processor - Intel P4 1.5GHz (model CTO 1AA 1AT 1BA 1BT 1CA 1CT 71G 72G A1A A1C A1M A1V A1D A1J)	33P0961
16	Processor - Intel P4 1.6GHz (models 11U 11F 11S 11P 11G 11A 11T 11C 11M 11V 11D 11J 15U 15F 15G CAU CTO 35J 36J 37J 16A 16T 17C 17M 17V 17D 18C 18M 18V 18D 19A 19T 1DA 1DT 1GU 1GF 1EJ 75G 16G 73G 74G)	33P0963
16	Processor - Intel P4 1.7GHz (models B1U B1F B2G 78G)	25P5041
16	Processor - Intel P4 1.7GHz (models B1U B1F B2G 78G)	49P0189

Machine Type 6792		
16	Processor - Intel P4 1.8GHz (models 21U 21F 21S 21P 21G 21A 21T 21C 21M 21V 21D 21J 22U 22F 22S 22P 22G 22A 22T 22C 22M 22V 22D 22J 23U 23F 25U 25F 26G 24U CBU CTO 27A 27T 28A 28T 29C 29M 29V 29D 2AC 2AM 2AV 2AD 2BG 2BA 2BT 2CC 2CM 2CV 2CD 2DU 2DF 2GU 2GF 24A 2EU 2HU 2HF 2HS 2HP 2HG 2HA 2HT 2HC 2HM 2HV 2HD 2HJ 2JU 76G 77G MHU)	33P0965
16	Processor - Intel P4 2.0GHz (models 31U 31F 31S 31P 31G 31A 31T 31C 31M 31V 31D 31J 32U 32F 33U 33G CCU CTO 3AA 3AT 3BC 3BM 3BV 3BD 3CC 3CM 3CV 3CD 33J 34J 38J 3DU 39U 3EU 3EF 3GU 3GF 3HJ)	25P6177
16	Processor - Intel P4 2.0GHz (models 3JU 3JF 3JS 3JP 3JG 3JA 3JT 3JC 3JM 3JV 3JD 3JJ 3KU CEU 3MU 3NU 3PU 3PF 3PA 3PT 3QC 3QM 3QV 3QD 3RC 3RM 3RV 3RD 3SU 3SG 3SJ 3TJ 3UJ 3VU 3VF 3VJ)	73P0570
16	Processor - Intel P4 2.2GHz (models CDU 41S 41P 41G 42U 42F 42S 42P 42G 42A 42T 43U 43F 43S 43P 43G 43A 43T 44U 45U 45F 45J 46J 47J 48J)	73P0571
16	Fan Sink (1.9 - 2.2GHz) (all models)	32P4004
16	Retention Module Kit (all models)	24P4811
17	Planar EMC Shield (all models)	25P0078
18	I/O Cam Bracket (all models)	09N5734
19	Air Baffle (all models)	06P2733
19	Fan Duct (all models)	32P4707
	Bezel Kit (Pearl White) (models 11G 11A 11T 11C 11M 11V 11D 11J 15G 21G 21A 21T 21C 21M 21V 21D 21J 22G 22A 22T 22C 22M 22V 22D 22J 26G 31G 31A 31T 31C 31M 31V 31D 31J 33G 27A 27T 28A 28T 29C 29M 29V 29D 2AC 2AM 2AV 2AD 3AA 3AT 3BC 3BM 3BV 3BD 3CC 3CM 3CV 3CD 33J 34J 35J 36J 37J 38J 1AA 1AT 1BA 1BT 1CA 1CT 16A 16T 17C 17M 17V 17D 18C 18M 18V 18D 19A 19T 71G 72G A1A A1C A1M A1V A1D A1J 1DA 1DT 2BG 2BA 2BT 2CC 2CM 2CV 2CD 1EJ 24A 3HJ 2HG 2HA 2HT 2HC 2HM 2HV 2HD 2HJ 3JG 3JA 3JT 3JC 3JM 3JV 3JD 3JJ 41G 42G 42A 42T 43G 43A 43T 45J 46J 16G 47J 48J 3PA 3PT 3QC 3QM 3QV 3QD 3RC 3RM 3RV 3RD 3SG 3SJ 3TJ 3UJ 3VJ 76G 77G B2G 78G 73G 74G)	09N5732
	Bezel Kit (Stealth Black) (models 11U 11F 11S 11P 15U 15F 21U 21F 21S 21P 22U 22F 22S 22P 23U 23F 25U 25F 31U 31F 31S 31P 32U 32F CAU CBU CCU 24U 33U CTO 3DU 1GU 1GF 2DU 2DF 2GU 2GF 39U 3EU 3EF 2EU 3GU 3GF B1U B1F 2HU 2HF 2HS 2HP 2JU 3JU 3JF 3JS 3JP 3KU 3LJ 41S 41P 42U 42F 42S 42P 43U 43F 43S 43P 44U 45U 45F 75G CEU 3MU 3NU 3PU 3PF 3SU 3VU 3VF MHU)	19K7645
	Planar Locating Label (all models)	25P4683
	CDT Blue Nameplate (all models)	09N5733
	DASD Rail Kit Soft Mount Assembly w/Clip (all models)	19K5331
	DASD Rail Kit Soft Mount Assembly (all models)	23P1328
	RFID Antenna (all models)	03K9654
	Key Lock Assembly (all models)	09K9829
	Foot (4) (all models)	03K9655

	Machine Type 6792	
	C2 Cable (all models)	09K9827
	Primary IDE Cable (all models)	37L4525
	Secondary IDE Cable (all models)	37L5098
	Secondary IDE Cable (all models)	09N5929
	Floppy Disk Drive Cable (all models)	33L2596
	CD-ROM Audio Cable (all models)	75H9219
	Fan/Speaker Bracket (all models)	09N5763
	Miscellaneous Hardware Kit (all models)	09N5764
	Serial Cable	24P9065
	Fan Bracket Assembly - 60mm Fan	22P3635
	Battery 3.0V (all models)	33F8354
	20GB Hard Drive Value EIDE ATA-100 (models CAU CBU CCU CTO B1U B1F)	19K1560
	40GB Hard Drive Value EIDE ATA-100 (models CAU CBU CCU CTO)	19K1562
	60GB Hard Drive Value EIDE ATA-100 (models CAU CBU CCU CTO)	19K1581
	80GB Hard Drive Value EIDE ATA-100 (models CAU CBU CCU CTO)	06P5237
	20GB Hard Drive 7200rpm EIDE ATA-100 (models CAU CBU CCU CTO A1A A1C A1M A1V A1D A1J)	19K1565
	40GB Hard Drive 7200rpm EIDE ATA-100 (models 11U 11F 11S 11P 11G 11A 11T 11C 11M 11V 11D 11J 15U 15F 15G 21U 21F 21S 21P 21G 21A 21T 21C 21M 21V 21D 21J 22U 22F 22S 22P 22G 22A 22T 22C 22M 22V 22D 22J 23U 23F 25U 25F 26G 31U 31F 31S 31P 31G 31A 31T 31C 31M 31V 31D 31J 32U 32F 24U 33U 33G CAU CBU CCU CTO 27A 27T 28A 28T 29C 29M 29V 29D 2AC 2AM 2AV 2AD 3AA 3AT 3BC 3BM 3BV 3BD 3CC 3CM 3CV 3CD 33J 34J 35J 36J 37J 38J 1AA 1AT 1BA 1BT 1CA 1CT 16A 16T 17C 17M 17V 17D 18C 18M 18V 18D 19A 19T 71G 72G 3DU 16G 76G 77G B2G 78G 1DA 1DT 1GU 1GF 2BG 2BA 2BT 2CC 2CM 2CV 2CD 2DU 2DF 2GU 2GF 39U 3EU 3EF 1EJ 24A 2EU 3GU 3GF 3HJ 2HU 2HF 2HS 2HP 2HG 2HA 2HT 2HC 2HM 2HV 2HD 2HJ 2JU 3JU 3JF 3JS 3JP 3JG 3JA 3JT 3JC 3JM 3JV 3JD 3JJ 3KU 41S 41P 41G 42U 42F 42S 42P 42G 42A 42T 43U 43F 43S 43P 43G 43A 43T 44U 45U 45F 45J 46J 47J 48J 75G 3MU 3NU 3PU 3PF 3PA 3PT 3QC 3QM 3QV 3QD 3RC 3RM 3RV 3RD 3SU 3SG 3SJ 3TJ 3UJ 3VU 3VF 3VJ 73G 74G MHU)	19K1568
	60GB Hard Drive 7200rpm EIDE ATA-100 (models CAU CBU CCU CTO)	19K1570
	80GB Hard Drive 7200rpm EIDE ATA-100 (models CAU CBU CCU CTO)	24P3665

	Machine Type 6792	
	Mouse 2-button PS/2 (Black) (models 11U 11F 11S 11P 15U 15F 21U 21F 21S 21P 22U 22F 22S 22P 23U 23F 25U 25F 31U 31F 31S 31P 32U 32F CAU CBU CCU CTO 24U 33U 3DU 1GU 1GF 2DU 2DF 2GU 2GF 39U 3EU 3EF 2EU 3GU 3GF B1U B1F 2HU 2HF 2HS 2HP 2JU 3JU 3JF 3JS 3JP 3KU 3LJ 41S 41P 42U 42F 42S 42P 43U 43F 43S 43P 44U 45U 45F 75G CEU 3MU 3NU 3PU 3PF 3SU 3VU 3VF MHU)	10L6149
	Mouse 2-button PS/2 (White) (models 11G 11A 11T 11C 11M 11V 11D 11J 15G 21G 21A 21T 21C 21M 21V 21D 21J 22G 22A 22T 22C 22M 22V 22D 22J 26G 31G 31A 31T 31C 31M 31V 31D 31J 33G CTO 27A 27T 28A 28T 29C 29M 29V 29D 2AC 2AM 2AV 2AD 3AA 3AT 3BC 3BM 3BV 3BD 3CC 3CM 3CV 3CD 33J 34J 35J 36J 37J 38J 1AA 1AT 1BA 1BT 1CA 1CT 16A 16T 17C 17M 17V 17D 18C 18M 18V 18D 19A 19T 71G 72G A1A A1C A1M A1V A1D A1J 1DA 1DT 2BG 2BA 2BT 2CC 2CM 2CV 2CD 1EJ 24A 3HJ 2HG 2HA 2HT 2HC 2HM 2HV 2HD 2HJ 3JG 3JA 3JT 3JC 3JM 3JV 3JD 3JJ 41G 42G 42A 42T 43G 43A 43T 45J 16G 75G 46J 47J 48J 3PA 3PT 3QC 3QM 3QV 3QD 3RC 3RM 3RV 3RD 3SG 3SJ 3TJ 3UJ 3VJ 76G 77G B2G 78G 73G 74G)	10L6145
	16MB nVidia Vanta 4XAGP (models 11U 11F 11S 11P 11G 11A 11T 11C 11M 11V 11D 11J 15U 15F 15G 21U 21F 21S 21P 21G 21A 21T 21C 21M 21V 21D 21J 22U 22F 22S 22P 22G 22A 22T 22C 22M 22V 22D 22J 25U 25F 26G 31U 31F 31S 31P 31G 31A 31T 31C 31M 31V 31D 31J CAU CBU CCU CTO 24U 33U 33G 27A 27T 28A 28T 3AA 3AT 33J 34J 35J 36J 37J 38J 1AA 1AT 1BA 1BT 1CA 1CT 16A 16T 19A 19T 71G 72G 3DU A1A A1C A1M A1V A1D A1J 1DA 1DT 1GU 1GF 2BG 2BA 2BT 2DU 2DF 2GU 2GF 3EU 3EF 1EJ 24A 2EU 3GU 3GF 3HJ 16G 76G 77G B2G 78G B1U B1F CDU 2HU 2HF 2HS 2HP 2HG 2HA 2HT 2HC 2HM 2HV 2HD 2HJ 3JU 3JF 3JS 3JP 3JG 3JA 3JT 3JC 3JM 3JV 3JD 3JJ 41S 41P 41G 42U 42F 42S 42P 42G 42A 42T 43U 43F 43S 43P 43G 43A 43T 45U 45F 45J 46J 47J 48J 75G CEU 3MU 3PU 3PF 3PA 3PT 3SU 3SG 3SJ 3TJ 3UJ 3VU 3VF 3VJ 73G 74G MHU)	25P4058
	nVidia GeForce2 MX-VGA only (models 23U 23F 32U 32F CTO 29C 29M 29V 29D 2AC 2AM 2AV 2AD 3BC 3BM 3BV 3BD 3CC 3CM 3CV 3CD 17C 17M 17V 17D 18C 18M 18V 18D 2CC 2CM 2CV 2CD 39U 3NU 3QC 3QM 3QV 3QD 3RC 3RM 3RV 3RD)	25P5848
	nVidia GeForce2 MX-VGA/TVout (model CTO)	22P1069
	Radeon VE Full Hight 64MB (ATI) (models 2JU 3KU 44U)	49P0278
	64MB nVidia GeForce2 GTS Pro (model CTO)	22P1390
	56k V.90 data/fax PCI Modem (US) (model CTO)	19K2965
	56k V.90 data/fax PCI Modem (WT) (model CTO)	19K2963
	1394 Firewire PCI-LP (model CTO)	22P6849
	PCMCIA/IEEE - 1394 Combo PCI-LP (model CTO)	32P4742
	Jazz Infinity 2-piece Tier-1 (Black) (model CTO)	25P4726
	Power brick - US CE CF LA Taiwan (model CTO)	10K2587
	Power brick - Europe (non UK) (model CTO)	10K2591
	Power brick - Hong Kong (2-prong version) (model CTO)	10K2597

Machine Type 6792		
	Power brick - Hong Kong (3-prong version) (model CTO)	25P5703
	Power brick - UK (Northern Ireland Wales GB Scotland England) (model CTO)	25P5703
	Power brick - Japan (model CTO)	10K2593
	Power brick - Australia New Zealand (model CTO)	25P5705
	Power brick - Brazil (model CTO)	10K2789

Recovery CDs Win 98 - Machine Type 6792		
	US Win 98 Recovery CD (models 1GU 2GU 3EU 3PU)	59P1100
	AP Win 98 Recovery CD (models 27A 2AD 3AA 3CD 1AA 16A 18D A1A A1D 3PA 3RD)	59P1103
	UK Win 98 Recovery CD (models 26G 71G 41G 16G 76G 73G)	59P1106
	FR Win 98 Recovery CD (models 26G 71G 41G 16G 76G 73G)	59P1109
	GR Win 98 Recovery CD (models 26G 71G 41G 16G 76G 73G)	59P1112
	LA Win 98 Recovery CD (model 41S)	59P1124
	IT Win 98 Recovery CD (models 26G 71G 41G 16G 76G 73G)	59P1121
	CF Win 98 Recovery CD (models 1GF 2GF 3EF 3PF)	59P1118
	SW Win 98 Recovery CD (model 41P)	59P1139
	BR Win 98 Recovery CD (models 26G 71G 41G 16G 76G 73G)	59P1151
	SP Win 98 Recovery CD (models 26G 71G 41G 16G 76G 73G)	59P1130
	DK Win 98 Recovery CD (models 26G 71G 41G 16G 76G 73G)	59P1136
	NL Win 98 Recovery CD (models 26G 71G 41G 16G 76G 73G)	59P1127
	AE Win 98 Recovery CD (models 26G 71G 41G 16G 76G 73G)	59P1115
	SV Win 98 Recovery CD (models 26G 71G 41G 16G 76G 73G)	59P1175
	HB Win 98 Recovery CD (models 26G 71G 41G 16G 76G 73G)	59P1154
	FI Win 98 Recovery CD (models 26G 71G 41G 16G 76G 73G)	59P1142
	NO Win 98 Recovery CD (models 26G 71G 41G 16G 76G 73G)	59P1145
	PL Win 98 Recovery CD (models 26G 71G 41G 16G 76G 73G)	59P1157
	PO Win 98 Recovery CD (models 26G 71G 41G 16G 76G 73G)	59P1148
	RU Win 98 Recovery CD (models 26G 71G 41G 16G 76G 73G)	59P1166

	Recovery CDs Win 98 - Machine Type 6792	
	HU Win 98 Recovery CD (models 26G 71G 41G 16G 76G 73G)	59P1169
	SL Win 98 Recovery CD (models 26G 71G 41G 16G 76G 73G)	59P1160
	CZ Win 98 Recovery CD (models 26G 71G 41G 16G 76G 73G)	59P1163
	TR Win 98 Recovery CD (models 26G 71G 41G 16G 76G 73G)	59P1172
	TH Win 98 Recovery CD (models 27T 3AT 1AT 16T 3PT)	59P1178
	GK Win 98 Recovery CD (models 26G 71G 41G 16G 76G 73G)	59P1133
	Japanese Win 98 Recovery CD (models 34J 36J 46J 3TJ)	62P4733
	Simplified Chinese Win 98 Recovery CD (models 18C 2AC 3CC 3RC)	62P8743
	Traditional Chinese Win 98 Recovery CD (models 18V 2AV 3CV 3RV)	62P8744
	HK Traditional Chinese Win 98 Recovery CD (models 18M 2AM 3CM 3RM)	46P4000

	Recovery CDs Win 2000 - Machine Type 6792	
	US (models 11U 21U 22U 23U 31U 32U 24U 33U 42U 3SU)	59P1181
	AP (models 11A 11D 21A 22A 21D 22D 31A 31D 29D 3BD 1BA 17D 24A 42A 3QD A1A A1D)	59P1184
	UK (models 11G 21G 22G 31G 33G 72G 42G 3SG 74G)	59P1187
	FR (models 11G 21G 22G 31G 33G 72G 42G 3SG 74G)	59P1190
	GR (models 11G 21G 22G 31G 33G 72G 42G 3SG 74G)	59P1193
	LA (models 11S 21S 22S 31S 42S)	59P1205
	IT (models 11G 21G 22G 31G 33G 72G 42G 3SG 74G)	59P1202
	CF (models 11F 21F 22F 23F 25F 31F 33F 42F)	59P1199
	BR (models 11P 21P 22P 31P 42P)	59P1235
	SP (models 11G 21G 22G 31G 33G 72G 42G 3SG 74G)	59P1208
	DK (models 11G 21G 22G 31G 33G 72G 42G 3SG 74G)	59P1220
	NL (models 11G 21G 22G 31G 33G 72G 42G 3SG 74G)	59P1211
	AE (models 11G 21G 22G 31G 33G 72G 42G 3SG 74G)	59P1196
	SW (models 11G 21G 22G 31G 33G 72G 42G 3SG 74G)	59P1229
	HB (models 11G 21G 22G 31G 33G 72G 42G 3SG 74G)	59P1232
	FI (models 11G 21G 22G 31G 33G 72G 42G 3SG 74G)	59P1223
	NO (models 11G 21G 22G 31G 33G 72G 42G 3SG 74G)	59P1226
	PL (models 11G 21G 22G 31G 33G 72G 42G 3SG 74G)	59P1238
	PO (models 11G 21G 22G 31G 33G 72G 42G 3SG 74G)	59P1217
	RU (models 11G 21G 22G 31G 33G 72G 42G 3SG 74G)	59P1244
	HU (models 11G 21G 22G 31G 33G 72G 42G 3SG 74G)	59P1247
	CZ (models 11G 21G 22G 31G 33G 72G 42G 3SG 74G)	59P1241

Recovery CDs Win 2000 - Machine Type 6792		
TR (models 11G 21G 22G 31G 33G 72G 42G 3SG 74G)		59P1250
TH (models 11T 21T 22T 31T 1BT 42T)		59P1253
GK (models 11G 21G 22G 31G 33G 72G 42G 3SG 74G)		59P1214
Japanese (models 11J 21J 22J 21J 33J 35J 37J 38J 45J 47J 3SJ 3UJ A1J)		62P4732
Simplified Chinese (models 11C 17C 21C 22C 29C 31C 3BC 3QC A1C)		62P8740
Taiwan-TC (models 11V 17V 21V 22V 29V 31V 3BV 3QV A1V)		62P8741
Hong Kong-TC (models 11M 17M 21M 22M 29M 31M 3BM 3QM A1M)		62P8742

Recovery CDs Win XP Home - Machine Type 6792		
US English (models 1CA 1CT 15U 19A 19T 25U 28A 28T 15G)		33P1881
French (models 15G 15F 25F)		33P1890
German (model 15G)		33P1893
Italian (model 15G)		33P1899
SPanish (model 15G)		33P1908
Danish (model 15G)		33P1911
Netherlands (model 15G)		33P1914
Arabic Enabled (model 15G)		33P1917
Swedish (model 15G)		33P1920
Hebrew (model 15G)		33P1923
Finnish (model 15G)		33P1926
Norwegian (model 15G)		33P1929
Polish (model 15G)		33P1932
Portuguese (model 15G)		33P1935
Russian (model 15G)		33P1938
Hungarian (model 15G)		33P1941
Slovenian (model 15G)		33P1944
Czechoslovakian (model 15G)		33P1947
Turkish (model 15G)		33P1950
Slovakian (model 15G)		33P1953
Greek (model 15G)		33P1959

Recovery CDs Win XP Pro - Machine Type 6792		
US English (models 3DU 1DA 1DT 2BG 2BA 2BT 2CD 2DU 39U 2EU 3GU B1U 2HU 2HG 2HA 2HT 2HD 2JU 3JU 3JG 3JA 3JT 3JD 3KU 43U 43G 43A 43T 44U 45U 75G 3MU 3NU 3VU 77G B2G 78G)		33P1962
French (models 2BG 2DF 3GF B1F 2HF 2HG 3JF 3JG 43F 43G 45F 75G 3VF 77G B2G 78G)		33P1971

	Recovery CDs Win XP Pro - Machine Type 6792	
	German (models 2BG 2HG 3JG 43G 75G 77G B2G 78G)	33P1974
	Italian (models 2BG 2HG 3JG 43G 75G 77G B2G 78G)	33P1980
	Brazil/Portuguese (models 2HP 3JP 43P)	33P1986
	Spanish (models 2BG 2HS 2HG 3JS 3JG 43S 43G 75G 77G B2G 78G)	33P1989
	Danish (models 2BG 2HG 3JG 43G 75G 77G)	33P1992
	Netherlands (models 2BG 2HG 3JG 43G 75G 77G B2G 78G)	33P1995
	Arabic Enabled (models 2BG 2HG 3JG 43G 75G 77G B2G 78G)	33P1998
	Swedish (models 2BG 2HG 3JG 43G 75G 77G B2G 78G)	33P2001
	Hebrew (models 2BG 2HG 3JG 43G 75G 77G B2G 78G)	33P2004
	Finnish (models 2BG 2HG 3JG 43G 75G 77G B2G 78G)	33P2007
	Norwegian (models 2BG 2HG 3JG 43G 75G 77G B2G 78G)	33P2010
	Polish (models 2BG 2HG 3JG 43G 75G 77G B2G 78G)	33P2013
	Portuguese (models 2BG 2HG 3JG 43G 75G 77G B2G 78G)	33P2016
	Russian (models 2BG 2HG 3JG 43G 75G 77G B2G 78G)	33P2019
	Hungarian (models 2BG 2HG 3JG 43G 75G 77G B2G 78G)	33P2022
	Slovenian (models 2BG 2HG 3JG 43G 75G 77G B2G 78G)	33P2025
	Czechoslovakian (models 2BG 2HG 3JG 43G 75G 77G B2G 78G)	33P2028
	Turkish (models 2BG 2HG 3JG 43G 75G 77G B2G 78G)	33P2031
	Slovakian (models 2BG 2HG 3JG 43G 75G 77G B2G 78G)	33P2034
	Greek (models 2BG 2HG 3JG 43G 75G 77G B2G 78G)	33P2040
	Japanese (models 2HJ 3JJ 48J 1EJ 3HJ 3VJ)	46P4027
	Simplified Chinese (models 2HC 3JC 2CC)	46P6880
	Traditional Chinese (models 2HV 3JV 2CV)	46P6881
	HK Traditional Chinese (models 2HM 3JM 2CM)	46P6882

	Keyboards (Standard PS/2 Black) - Machine Type 6792	
	US English	32P5000
	Arabic	32P5001
	Belgian/French	32P5002
	Belgian/UK	32P5003
	Bulgarian	32P5004
	Chinese/US	32P5005
	Czech	32P5006
	Danish	32P5007
	Dutch	32P5008
	French	32P5009
	French Canadian 058	32P5010
	French Canadian 445	32P5011
	German	32P5012

	Keyboards (Standard PS/2 Black) - Machine Type 6792	
	Greek	32P5013
	Hebrew	32P5014
	Hungarian	32P5015
	Iceland	32P5016
	Italian	32P5017
	Japanese	32P5018
	Korean	32P5019
	LA Spanish	32P5020
	Norwegian	32P5021
	Polish	32P5022
	Portugese	32P5023
	Romanian	32P5024
	Russian	32P5025
	Russian/Cy	32P5026
	Serbian/Cyrillic	32P5027
	Slovak	32P5028
	Spanish	32P5029
	Swedish/Finn	32P5030
	Swiss F/G	32P5031
	Thailand	32P5032
	Turkish EURO Phase I	32P5033
	Turkish EURO Phase II	32P5034
	UK English	32P5035
	US International	32P5036
	Yugoslav/Latin	32P5037
	Brazil/Portugese	32P5038

	Keyboards (Standard PS/2 White) - Machine Type 6792	
	US English	32P5040
	Arabic	32P5041
	Belgian/French	32P5042
	Belgian/UK	32P5043
	Bulgarian	32P5044
	Chinese/US	32P5045
	Czech	32P5046
	Danish	32P5047
	Dutch	32P5048
	French	32P5049
	French Canadian 058	32P5050
	French Canadian 445	32P5051
	German	32P5052

	Keyboards (Standard PS/2 White) - Machine Type 6792	
	Greek	32P5053
	Hebrew	32P5054
	Hungarian	32P5055
	Iceland	32P5056
	Italian	32P5057
	Japanese	32P5058
	Korean	32P5059
	LA Spanish	32P5060
	Norwegian	32P5061
	Polish	32P5062
	Portugese	32P5063
	Romanian	32P5064
	Russian	32P5065
	Russian/Cy	32P5066
	Serbian/Cyrillic	32P5067
	Slovak	32P5068
	Spanish	32P5069
	Swedish/Finn	32P5070
	Swiss F/G	32P5071
	Thailand	32P5072
	Turkish EURO Phase I	32P5073
	Turkish EURO Phase II	32P5074
	UK English	32P5075
	US International	32P5076
	Yugoslav/Latin	32P5077
	Brazil/Portugese	32P5078

	Keyboards (Next Lite, White) - Machine Type 6792	
	Japanese (models 2HJ 3JJ 45J 46J 47J 48J A1J 1EJ 3HJ)	37L2547

	Power Cords - Type 6792	
	Line Cord	6952301
	Line Cord	13F9939
	Line Cord	1838576
	Line Cord	13F9978
	Line Cord	14F0032
	Line Cord	13F9996
	Line Cord	14F0068
	Line Cord	36L8878
	Line Cord	02K0545
	Line Cord	14F0086

	Power Cords - Type 6792	
	Line Cord	14F0014
	Line Cord	14F0050

	Machine Type 6793	
1	Top Cover Assembly (Pearl White) (models 11G 11A 11T 11C 11M 11V 11D 11J 21G 21A 21T 21C 21M 21V 21D 21J 22G 22A 22T 22C 22M 22V 22D 22J 31G 31A 31T 31C 31M 31V 31D 31J 2HG 2HA 2HT 2HC 2HM 2HV 2HD 2HJ 3JG 3JA 3JT 3JC 3JM 3JV 3JD 3JJ)	06P2732
1	Top Cover Assembly (Stealth Black) (models 11U 11F 11S 11P 21U 21F 21S 21P 22U 22F 22S 22P 31U 31F 31S 31P 2HU 2HF 2HS 2HP 3JU 3JF 3JS 3JP)	19K7644
2	Power Supply 185W PFC (models 11U 11F 11S 11G 11A 11T 11M 11V 11D 11J 21U 21F 21S 21G 21A 21T 21M 21V 21D 21J 22U 22F 22S 22G 22A 22T 22M 22V 22D 22J 31U 31F 31S 31G 31A 31T 31M 31V 31D 31J 2HU 2HF 2HS 2HG 2HA 2HT 2HM 2HV 2HD 2HJ 3JU 3JF 3JS 3JG 3JA 3JT 3JM 3JV 3JD 3JJ)	24P6883
2	Power Supply 185W Wide Ranging (China) (models 11P 11C 21P 21C 22P 22C 31P 31C 2HP 2HC 3JP 3JC)	24P6885
3	3.5-in. DASD Bracket (all models)	25P4987
3	3.5-in. DASD Bracket (all models)	06P2734
4	5.25-in. DASD Bracket (all models)	09N5746
5	Handle - 5.25-in. DASD Bracket Locking	09N5747
6	Handle - 3.5-in. DASD Bracket Locking	09N5748
7	CD-ROM Drive 48X (Black) (models 11U 11F 11S 11P 21U 21F 21S 21P 22U 22F 22S 22P 31U 31F 31S 31P 2HU 2HF 2HS 2HP)	33P3203
7	CD-ROM Drive 48X (Black) (models 11U 11F 11S 11P 21U 21F 21S 21P 22U 22F 22S 22P 31U 31F 31S 31P 2HU 2HF 2HS 2HP)	33P3207
7	CD-ROM Drive 48X (Black) (models 11U 11F 11S 11P 21U 21F 21S 21P 22U 22F 22S 22P 31U 31F 31S 31P 2HU 2HF 2HS 2HP)	33P3215
7	CD-ROM Drive 48X (Black) (models 11U 11F 11S 11P 21U 21F 21S 21P 22U 22F 22S 22P 31U 31F 31S 31P 2HU 2HF 2HS 2HP)	33P3211
7	CD-ROM 48X (White) (models 11A 11T 11C 11M 11V 11D 11J 21A 21T 21C 21M 21V 21D 21J 22A 22T 22C 22M 22V 22D 22J 31A 31T 31C 31M 31V 31D 31J 11G 21G 22G 31G 2HG 2HA 2HT 2HC 2HM 2HV 2HD 2HJ)	33P3201
7	CD-ROM 48X (White) (models 11A 11T 11C 11M 11V 11D 11J 21A 21T 21C 21M 21V 21D 21J 22A 22T 22C 22M 22V 22D 22J 31A 31T 31C 31M 31V 31D 31J 11G 21G 22G 31G 2HG 2HA 2HT 2HC 2HM 2HV 2HD 2HJ)	33P3205
7	CD-ROM 48X (White) (models 11A 11T 11C 11M 11V 11D 11J 21A 21T 21C 21M 21V 21D 21J 22A 22T 22C 22M 22V 22D 22J 31A 31T 31C 31M 31V 31D 31J 11G 21G 22G 31G 2HG 2HA 2HT 2HC 2HM 2HV 2HD 2HJ)	33P3209
7	DVD-ROM 16X/48X Black (models 3JU 3JF 3JS 3JP)	33P3259

	Machine Type 6793	
7	DVD-ROM 16X/48X White (models 3JG 3JA 3JT 3JC 3JM 3JV 3JD 3JJ)	33P3279
7	DVD-ROM 16X/48X White (models 3JG 3JA 3JT 3JC 3JM 3JV 3JD 3JJ)	71P7355
8	5.25-in. EMC Shield	19K5548
9	3.5-in. 1.44 M 2-mode Floppy Disk Drive (models 11U 11F 11S 11P 11G 11M 11V 11D 21U 21F 21S 21P 21G 21M 21V 21D 22U 22F 22S 22P 22G 22M 22V 22D 2HU 2HF 2HS 2HP 2HG 2HM 2HV 2HD 3JU 3JF 3JS 3JP 3JG 3JM 3JV 3JD)	75H9550
9	3.5-in. 1.44 M 3-mode Floppy Disk Drive (models 11A 11T 11C 21A 21T 21C 22A 22T 22C 11J 21J 22J 2HA 2HT 2HC 2HJ 3JA 3JT 3JC 3JJ)	19K1543
10	Speaker Assembly - Soldered terminals (all models)	00N5151
10	Speaker Assembly - Spade terminals (all models)	01K4909
11	Fan-Speaker bracket (all models)	09N5763
12	Control Panel (power switch) (all models)	37L5092
13	Chassis Assembly (all models)	25P4682
14	System Board W/O POV2 Card (models 11U 11F 11S 11P 11G 11A 11T 11C 11M 11V 11D 11J 21U 21F 21S 21P 21G 21A 21T 21C 21M 21V 21D 21J 22U 22F 22S 22P 22G 22A 22T 22C 22M 22V 22D 22J 31U 31F 31S 31P 31G 31A 31T 31C 31M 31V 31D 31J 2HU 2HF 2HS 2HP 2HG 2HA 2HT 2HC 2HM 2HV 2HD 2HJ 3JU 3JF 3JS 3JP 3JG 3JA 3JT 3JC 3JM 3JV 3JD 3JJ)	73P0546
15	128MB Memory (models 11U 11F 11S 11P 11G 11A 11T 11C 11M 11V 11D 11J 21U 21F 21S 21P 21G 21A 21T 21C 21M 21V 21D 21J)	10K0058
15	256MB Memory (models 22U 22F 22S 22P 22G 22A 22T 22C 22M 22V 22D 22J 31U 31F 31S 31P 31G 31A 31T 31C 31M 31V 31D 31J 2HU 2HF 2HS 2HP 2HG 2HA 2HT 2HC 2HM 2HV 2HD 2HJ 3JU 3JF 3JS 3JP 3JG 3JA 3JT 3JC 3JM 3JV 3JD 3JJ)	10K0060
16	Processor - Intel P4 1.6GHz (models 11U 11F 11S 11P 11G 11A 11T 11C 11M 11V 11D 11J)	33P0963
16	Processor - Intel P4 1.8GHz (models 21U 21F 21S 21P 21G 21A 21T 21C 21M 21V 21D 21J 22U 22F 22S 22P 22G 22A 22T 22C 22M 22V 22D 22J 2HU 2HF 2HS 2HP 2HG 2HA 2HT 2HC 2HM 2HV 2HD 2HJ)	33P0965
16	Processor - Intel P4 2.0GHz (models 31U 31F 31S 31P 31G 31A 31T 31C 31M 31V 31D 31J 3JU 3JF 3JS 3JP 3JG 3JA 3JT 3JC 3JM 3JV 3JD 3JJ)	25P6177
16	Processor - Intel P4 1.6GHz (models 11U 11F 11S 11P 11G 11A 11T 11C 11M 11V 11D 11J)	33P0963
16	Processor - Intel P4 1.8GHz (models 21U 21F 21S 21P 21G 21A 21T 21C 21M 21V 21D 21J 22U 22F 22S 22P 22G 22A 22T 22C 22M 22V 22D 22J 2HU 2HF 2HS 2HP 2HG 2HA 2HT 2HC 2HM 2HV 2HD 2HJ)	33P0965
16	Fan Sink (all models)	32P4004
16	Retention Module Kit (all models)	24P4811
17	Planar Shield (all models)	25P0078

	Machine Type 6793	
18	I/O Cam Bracket (all models)	09N5757
19	Air Baffle (all models)	06P2733
19	Fan Duct (all models)	32P4707
	Bezel Kit (Pearl White) (models 11G 11A 11T 11C 11M 11V 11D 11J 21G 21A 21T 21C 21M 21V 21D 21J 22G 22A 22T 22C 22M 22V 22D 22J 31G 31A 31T 31C 31M 31V 31D 31J 2HG 2HA 2HT 2HC 2HM 2HV 2HD 2HJ 3JG 3JA 3JT 3JC 3JM 3JV 3JD 3JJ 2HG 2HA 2HT 2HC 2HM 2HV 2HD 2HJ 3JG 3JA 3JT 3JC 3JM 3JV 3JD 3JJ)	09N5732
	Bezel Kit (Stealth Black) (models 11U 11F 11S 11P 21U 21F 21S 21P 22U 22F 22S 22P 31U 31F 31S 31P 2HU 2HF 2HS 2HP 3JU 3JF 3JS 3JP)	19K7645
	Planar Locating Label (all models)	25P4683
	CDT Blue Nameplate (all models)	09N5733
	DASD Rail Kit Soft Mount Assembly w/Clip (all models)	19K5331
	DASD Rail Kit Soft Mount Assembly (all models)	23P1328
	Foot (4) (all models)	03K9655
	Primary IDE Cable (all models)	37L4525
	Secondary IDE Cable (all models)	37L5098
	Secondary IDE Cable (all models)	09N5929
	Floppy Disk Drive Cable (all models)	33L2596
	CD-ROM Audio Cable (models 11U 11F 11S 11P 11G 11A 11T 11C 11M 11V 11D 11J 21U 21F 21S 21P 21G 21A 21T 21C 21M 21V 21D 21J 22U 22F 22S 22P 22G 22A 22T 22C 22M 22V 22D 22J 31U 31F 31S 31P 31G 31A 31T 31C 31M 31V 31D 31J 2HU 2HF 2HS 2HP 2HG 2HA 2HT 2HC 2HM 2HV 2HD 2HJ 3JU 3JF 3JS 3JP 3JG 3JA 3JT 3JC 3JM 3JV 3JD 3JJ)	75H9219
	Fan bracket assembly - 60mm fan (all models)	22P3635
	Miscellaneous Hardware Kit (all models)	09N5764
	Fan Bracket Assembly - 60mm Fan (all models)	22P3635
	Battery, 3.0V (all models)	33F8354
	40GB Hard Drive 7200rpm EIDE ATA-100 (models 11U 11F 11S 11P 11G 11A 11T 11C 11M 11V 11D 11J 21U 21F 21S 21P 21G 21A 21T 21C 21M 21V 21D 21J 22U 22F 22S 22P 22G 22A 22T 22C 22M 22V 22D 22J 31U 31F 31S 31P 31G 31A 31T 31C 31M 31V 31D 31J 2HU 2HF 2HS 2HP 2HG 2HA 2HT 2HC 2HM 2HV 2HD 2HJ 3JU 3JF 3JS 3JP 3JG 3JA 3JT 3JC 3JM 3JV 3JD 3JJ)	19K1568
	Mouse 2-button PS/2 (Black) (models 11U 11F 11S 11P 21U 21F 21S 21P 22U 22F 22S 22P 31U 31F 31S 31P 2HU 2HF 2HS 2HP 3JU 3JF 3JS 3JP)	10L6149
	Mouse 2-button PS/2 (White) (models 11G 11A 11T 11C 11M 11V 11D 11J 21G 21A 21T 21C 21M 21V 21D 21J 22G 22A 22T 22C 22M 22V 22D 22J 31G 31A 31T 31C 31M 31V 31D 31J 2HG 2HA 2HT 2HC 2HM 2HV 2HD 2HJ 3JG 3JA 3JT 3JC 3JM 3JV 3JD 3JJ)	10L6145

	Machine Type 6793	
	16MB nVidia Vanta 4XAGP (models 11U 11F 11S 11P 11G 11A 11T 11C 11M 11V 11D 11J 21U 21F 21S 21P 21G 21A 21T 21C 21M 21V 21D 21J 22U 22F 22S 22P 22G 22A 22T 22C 22M 22V 22D 22J 31U 31F 31S 31P 31G 31A 31T 31C 31M 31V 31D 31J 2HU 2HF 2HS 2HP 2HG 2HA 2HT 2HC 2HM 2HV 2HD 2HJ 3JU 3JF 3JS 3JP 3JG 3JA 3JT 3JC 3JM 3JV 3JD 3JJ)	25P4058

	Recovery CDs Win 2000 - Machine Type 6793	
	US (models 11U 21U 22U 31U)	59P1181
	AP (models 11A 11D 21A 22A 21D 22D 31A 31D)	59P1184
	UK (models 11G 21G 22G 31G)	59P1187
	FR (models 11G 21G 22G 31G)	59P1190
	GR (models 11G 21G 22G 31G)	59P1193
	LA (models 11S 21S 22S 31S)	59P1205
	IT (models 11G 21G 22G 31G)	59P1202
	CF (models 11F 21F 22F 31F)	59P1199
	BR (models 11P 21P 22P 31P)	59P1235
	SP (models 11G 21G 22G 31G)	59P1208
	DK (models 11G 21G 22G 31G)	59P1220
	NL (models 11G 21G 22G 31G)	59P1211
	AE (models 11G 21G 22G 31G)	59P1196
	SW (models 11G 21G 22G 31G)	59P1229
	HB (models 11G 21G 22G 31G)	59P1232
	FI (models 11G 21G 22G 31G)	59P1223
	NO (models 11G 21G 22G 31G)	59P1226
	PL (models 11G 21G 22G 31G)	59P1238
	PO (models 11G 21G 22G 31G)	59P1217
	RU (models 11G 21G 22G 31G)	59P1244
	HU (models 11G 21G 22G 31G)	59P1247
	CZ (models 11G 21G 22G 31G)	59P1241
	TR (models 11G 21G 22G 31G)	59P1250
	TH (models 11T 21T 22T 31T)	59P1253
	GK (models 11G 21G 22G 31G)	59P1214
	Japanese (models 11J 21J 22J 31J)	62P4732
	Simplified Chinese (models 11C 21C 22C 31C)	62P8740
	Taiwan Traditional Chinese (models 11V 21V 22V 31V)	62P8741
	Hong Kong Traditional Chinese (models 11M 21M 22M 31M)	62P8742

	Recovery CDs Win XP Pro - Machine Type 6793	
	US English (models 2HU 2HG 2HA 2HT 2HD 3JU 3JG 3JA 3JT 3JD)	33P1962

	Recovery CDs Win XP Pro - Machine Type 6793	
	French (models 2HF 2HG 3JF 3JG)	33P1971
	German (models 2HG 3JG)	33P1974
	Italian (models 2HG 3JG)	33P1980
	Brazil/Portuguese (models 2HP 3JP)	33P1986
	Spanish (models 2HG 3JG 2HS 3JS)	33P1989
	Danish (models 2HG 3JG)	33P1992
	Netherlands (models 2HG 3JG)	33P1995
	Arabic Enabled (models 2HG 3JG)	33P1998
	Swedish (models 2HG 3JG)	33P2001
	Hebrew (models 2HG 3JG)	33P2004
	Finnish (models 2HG 3JG)	33P2007
	Norwegian (models 2HG 3JG)	33P2010
	Polish (models 2HG 3JG)	33P2013
	Portuguese (models 2HG 3JG)	33P2016
	Russian (models 2HG 3JG)	33P2019
	Hungarian (models 2HG 3JG)	33P2022
	Slovenian (models 2HG 3JG)	33P2025
	Czechoslovakian (models 2HG 3JG)	33P2028
	Turkish (models 2HG 3JG)	33P2031
	Slovakian (models 2HG 3JG)	33P2034
	Greek (models 2HG 3JG)	33P2040
	Japanese (models 2HJ 3JJ)	46P4027
	Simplified Chinese (models 2HC 3JC)	46P6880
	Traditional Chinese (models 2HV 3JV)	46P6881
	HK Traditional Chinese (models 2HM 3JM)	46P6882

	Keyboards (Standard PS/2 Black) - Machine Type 6793	
	US English	32P5000
	Arabic	32P5001
	Belgian/French	32P5002
	Belgian/UK	32P5003
	Bulgarian	32P5004
	Chinese/US	32P5005
	Czech	32P5006
	Danish	32P5007
	Dutch	32P5008
	French	32P5009
	French Canadian 058	32P5010
	French Canadian 445	32P5011
	German	32P5012
	Greek	32P5013

Keyboards (Standard PS/2 Black) - Machine Type 6793		
	Hebrew	32P5014
	Hungarian	32P5015
	Iceland	32P5016
	Italian	32P5017
	Japanese	32P5018
	Korean	32P5019
	LA Spanish	32P5020
	Norwegian	32P5021
	Polish	32P5022
	Portugese	32P5023
	Romanian	32P5024
	Russian	32P5025
	Russian/Cy	32P5026
	Serbian/Cyrillic	32P5027
	Slovak	32P5028
	Spanish	32P5029
	Swedish/Finn	32P5030
	Swiss F/G	32P5031
	Thailand	32P5032
	Turkish EURO Phase I	32P5033
	Turkish EURO Phase II	32P5034
	UK English	32P5035
	US International	32P5036
	Yugoslav/Latin	32P5037
	Brazil/Portugese	32P5038

Keyboards (Standard PS/2 White) - Machine Type 6793		
	US English	32P5040
	Arabic	32P5041
	Belgian/French	32P5042
	Belgian/UK	32P5043
	Bulgarian	32P5044
	Chinese/US	32P5045
	Czech	32P5046
	Danish	32P5047
	Dutch	32P5048
	French	32P5049
	French Canadian 058	32P5050
	French Canadian 445	32P5051
	German	32P5052
	Greek	32P5053

Keyboards (Standard PS/2 White) - Machine Type 6793		
	Hebrew	32P5054
	Hungarian	32P5055
	Iceland	32P5056
	Italian	32P5057
	Japanese	32P5058
	Korean	32P5059
	LA Spanish	32P5060
	Norwegian	32P5061
	Polish	32P5062
	Portugese	32P5063
	Romanian	32P5064
	Russian	32P5065
	Russian/Cy	32P5066
	Serbian/Cyrillic	32P5067
	Slovak	32P5068
	Spanish	32P5069
	Swedish/Finn	32P5070
	Swiss F/G	32P5071
	Thailand	32P5072
	Turkish EURO Phase I	32P5073
	Turkish EURO Phase II	32P5074
	UK English	32P5075
	US International	32P5076
	Yugoslav/Latin	32P5077
	Brazil/Portugese	32P5078

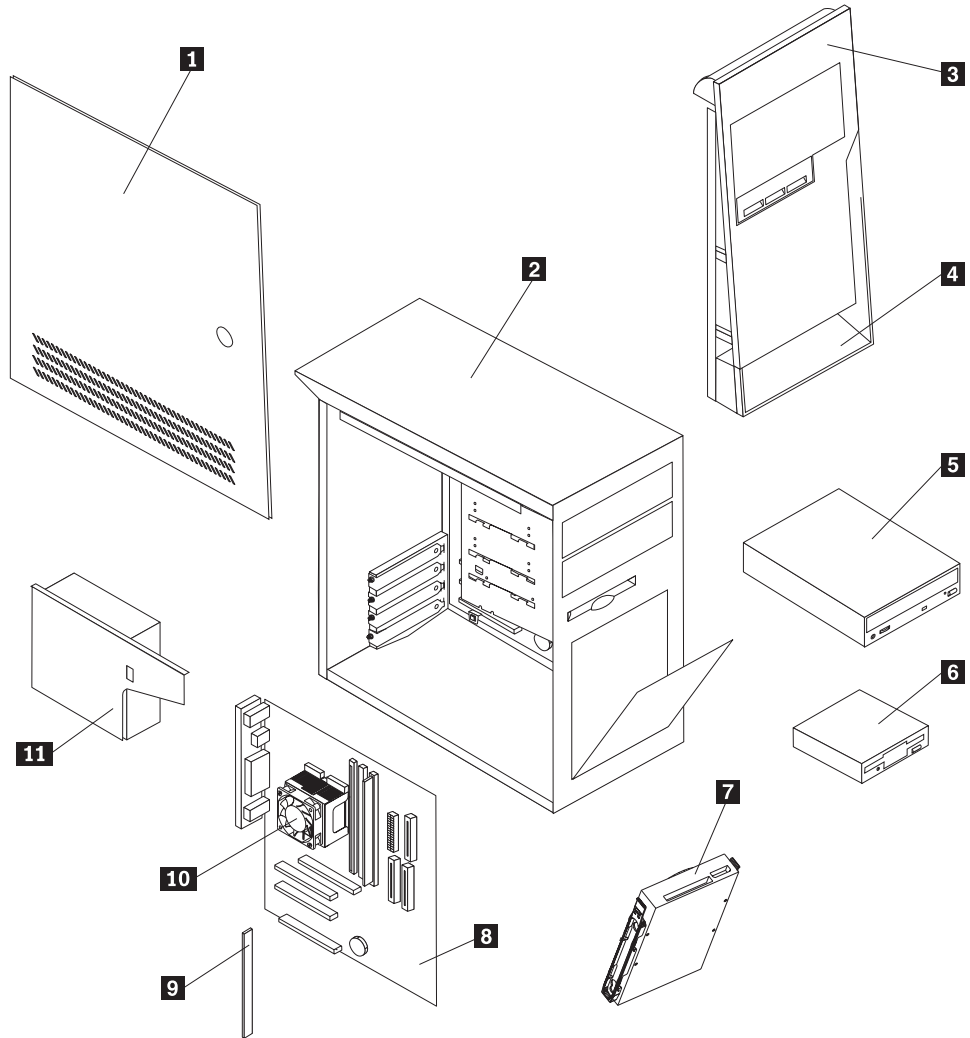
Keyboards (Next Lite, White) - Machine Type 6793		
	Japanese (models 2HJ 3JJ)	37L2547

Power Cords - Type 6793		
	Line Cord	6952301
	Line Cord	13F9939
	Line Cord	34G0222
	Line Cord	13F9978
	Line Cord	14F0032
	Line Cord	13F9996
	Line Cord	14F0068
	Line Cord	36L8879
	Line Cord	1838576
	Line Cord	02K0545
	Line Cord	14F0086

Power Cords - Type 6793		
	Line Cord	14F0014
	Line Cord	14F0050

Microtower Model

Types 2292 6350 6794 6795 6823 6825



Machine Type 2292		
1	Side Cover Assembly (Raven Black) (all models)	25P0066
2	Chassis staked (all models)	25P0064
2	"L" Cover (Raven Black) (all models)	25P0065
3	Front Bezel Assembly (Raven Black) (all models)	25P0067
4	Trim Bezel Kit (all models)	49P1900
5	CD-ROM Drive 48X (Black) (models 13U 33U 22U 23U 34U)	33P3203
5	CD-ROM Drive 48X (Black) (models 13U 33U)	33P3207
5	CD-ROM Drive 48X (Black) (models 13U 33U)	33P3215

	Machine Type 2292	
5	CD-ROM Drive 48X (Black) (models 13U 33U 22U 23U 34U)	33P3211
5	DVD-ROM 16X/48X Black (models 41U 41F 42U 42F)	33P3259
5	CD/RW 16X/10X/40X Black (models B1U 35U 1AU 51U 41U 41F 42U 42F 36U 44U 21U)	24P3627
5	CD/RW 16X/10X/40X Black (models B1U 35U 1AU 51U 41U 41F 42U 42F 36U 44U 21U)	24P3631
5	CD/RW 48X/32X/48X Black (Universal) (models B1U 35U 1AU 51U 41U 41F 42U 42F 36U 44U 21U)	26K5376
5	DVD-ROM/CD-RW Combo Black (models 43U)	33P3227
6	3.5-in. 1.44 M 2-mode Floppy Disk Drive (all models)	75H9550
7	20GB Hard Drive 7200rpm EIDE ATA-100 (models 13U 33U 22U 23U 43U)	19K1565
7	40GB Hard Drive 7200rpm EIDE ATA-100 (model 21U B1U 35U 1AU 51U 36U)	19K1568
7	80GB Hard Drive 7200rpm EIDE ATA-100 (model 41U 41F 42U 42F 43U 44U)	24P3665
8	System Board W/O POV2 Card (all models 13U 21U 33U CAU CBU CCU CDU)	73P0546
8	System Board W/O POV2 Card (all models 22U 23U B1U 34U 35U 1AU 51U 41U 41F 42U 42F 43U CEU CGU CHU CJU 36U 44U)	73P0544
9	128MB Memory 133MHz (models 13U 21U 33U CAU CBU CCU CDU 22U 23U 43U CEU CGU CHU CJU)	10K0058
9	256MB Memory 133MHz (models B1U 35U 1AU 51U 41U 41F 42U 42F 43U 36U 44U)	10K0060
10	Fan Sink (1.9 - 2.2GHz) (model CDU 51U 41U 41F 42U 42F 43U CHU 1AU CGU CJU 13U 21U 33U CAU CBU CCU 22U 23U B1U CEU 34U 35U 36U 44U)	32P4004
10	Processor - Intel P4 1.5GHz (models 13U CAU)	33P0961
10	Processor - Intel P4 1.6GHz (models 21U CBU 22U 23U)	33P0963
10	Processor - Intel P4 1.7GHz (models B1U CEU)	49P0189
10	Processor - Intel P4 1.8GHz (models 33U CCU 34U 35U)	33P0965
10	Processor - Intel P4 1.9GHz (models 1AU CGU)	49P1726
10	Processor - Intel P4 2.0GHz (model CDU)	25P6177
10	Processor - Intel P4 2.0GHz (models 51U CJU)	73P0570
10	Processor - Intel P4 2.2GHz (model 41U 41F 42U 42F 43U CHU 44U)	73P0571
10	Retention Module Kit (all models)	24P4811
11	Power Supply 185W PFC (all models)	24P6883
	Bezel Blanks Kit (all models)	25P0068
	Front Bezel Release Arm (all models)	25P0069
	I/O Cards Retainer (all models)	59P8564
	DASD Rail Kit soft mount w/ clips (all models)	19K5331
	Floppy Disk Drive Cable (all models)	01K1513
	Audio Cable (all models)	75H9219

	Machine Type 2292	
	Dual USB Cable (all models)	22P1188
	Primary IDE Cable (all models)	37L4525
	Secondary IDE Cable (all models)	37L5098
	Speaker Assembly (soldered terminals) (all models)	00N5151
	5.25-in. EMC Shield (all models)	19K5548
	Hard Disk Drive Bracket Assembly (all models)	25P0072
	Power Supply Bracket (all models)	25P0073
	Rubber Foot (all models)	03K9655
	Control Panel Assembly (all models)	25P0074
	Miscellaneous Hardware Kit (all models)	09N5764
	Planar EMC Shield Kit (all models)	25P0078
	Power Panel Kit (all models)	25P0079
	Fan 80mm (all models)	22P4447
	Audio cable (front panel) (models 22U 23U B1U 34U 35U 1AU 51U 41U 41F 42U 42F 43U 36U 44U)	25P4974
	Marley Audio Card Asm 2 audio only (models 22U 23U 34U 44U)	25P0954
	FRU, Marley Firewire Card Asm 2 audio / Firewire (models B1U 35U 1AU 51U 41U 41F 42U 42F 43U 36U)	32P4703
	Mouse USB ScrollPoint III (Black) (models 13U 21U 33U 22U 23U B1U 34U 35U 1AU 51U 41U 41F 42U 42F 43U CEU CGU CHU CJU 36U 44U)	24P0485
	Battery, 3.0V (all models)	33F8354
	Cable, 1394 6-pin (models B1U 35U 1AU 51U 41U 41F 42U 42F 43U 36U)	25P0084
	nVidia Vanta-16MB-4XAGP (models 13U 33U 22U 23U 34U CEU CGU CHU CJU)	25P5157
	nVidia GeForce2 MX-VGA only (ATX) (models 21U)	25P5848
	nVidia GeForce2 MX-VGA/DVI/TVout (ATX) (models B1U 35U 1AU 51U 41U 41F 43U 36U)	22P1069
	64MB nVidia GeForce2 GTS Pro (ATX) (models 42U 42F)	22P1390
	Video ATI Radeon VE 64MB AGP4X LP (models 44U)	49P4685
	56k V.90 data/fax PCI Modem (US) (ATX)(models 22U 23U B1U 34U 35U 1AU 51U 41U 41F 42U 42F 43U 36U 44U)	19K2965
	1394 Firewire PCI-LP (ATX) (models B1U 35U 1AU 51U 41U 41F 42U 42F 43U 36U)	22P6849
	Jazz Infinity, 2-pc active, Tier 1 - black (models 22U 23U B1U 34U 35U 1AU 51U 41U 41F 42U 42F 43U 36U 44U)	25P4726
	Power brick - US, CE, CF, LA, Taiwan (models 22U 23U B1U 34U 35U 1AU 51U 41U 41F 42U 42F 43U 36U 44U)	10K2587

	Recovery CDs Win XP Home - Machine Type 2292	
	US Win XP Home Recovery CD (models 13U 21U 33U 22U 23U 34U 35U 51U 41U 42U 43U 44U)	33P1881
	FR Win XP Home Recovery CD (models 41F 42F)	33P1890

	Keyboards RAK III E (USB) - Machine Type 2292	
	US English	19K1910
	French Canadian	19K1920

	Power Cords - Type 2292	
	Line Cord	6952301

	Machine Type 6350	
1	Side Cover Assembly (Raven Black) (all models)	25P0066
2	Chassis staked (all models)	25P0064
2	"L" Cover (Raven Black) (all models)	25P0065
3	Front Bezel Assembly (Raven Black) (all models)	25P0067
4	Trim Bezel Kit (all models)	49P1900
5	CD-ROM Drive 48X (Black) (models 11U 13U 21G 23G 31U 31F 31G 33U 33F 33G CTO 15U 25U B1U 36U 52U 52F 53U 53F 37U)	33P3203
5	CD-ROM Drive 48X (Black) (models 11U 13U 21G 23G 31U 31F 31G 33U 33F 33G CTO 15U 25U B1U 36U 53U 53F 37U)	33P3207
5	CD-ROM Drive 48X (Black) (models 11U 13U 21G 23G 31U 31F 31G 33U 33F 33G CTO 15U 25U B1U 36U 53U 53F 37U)	33P3215
5	CD-ROM Drive 48X (Black) (models 11U 13U 21G 23G 31U 31F 31G 33U 33F 33G CTO 15U 25U B1U 36U 53U 53F 37U)	33P3211
5	DVD-ROM 16X/48X Black (models CTO 41U 51U)	33P3259
5	CD/RW 16X/10X/40X Black (models CTO 26U 35U)	24P3627
5	CD/RW 16X/10X/40X Black (models CTO 26U 35U)	24P3631
5	CD/RW 48X/32X/48X Black (Universal) (models CTO 26U 35U)	26K5376
5	DVD-ROM/CD-RW Combo Black (models CTO 61U)	33P3227
5	DVD RAM 9.4GB 2X/6X/24X Black (models CTO)	24P3615
6	3.5-in. 1.44 M 2-mode Floppy Disk Drive (all models)	75H9550
7	20GB Hard Drive Value EIDE ATA-100 (models CTO)	19K1560
7	40GB Hard Drive Value EIDE ATA-100 (models CTO)	19K1562
7	60GB Hard Drive Value EIDE ATA-100 (models CTO)	19K1581
7	80GB Hard Drive Value EIDE ATA-100 (models CTO)	06P5237
7	20GB Hard Drive 7200rpm EIDE ATA-100 (models 11U 13U 21G 23G 31U 31F 31G 15U 25U B1U 36U 37U)	19K1565
7	40GB Hard Drive 7200rpm EIDE ATA-100 (model 33U 33F 33G 91S 91S 93S 93P 95S 95P 96S 96P 26U 35U 41U 51U 52U 52F 53U 53F)	19K1568
7	60GB Hard Drive 7200rpm EIDE ATA-100 (model CTO)	19K1570
7	80GB Hard Drive 7200rpm EIDE ATA-100 (model CTO 61U)	24P3665

	Machine Type 6350	
8	System Board W/O POV2 Card (all models 91S 91P 11U 13U 93S 93P 95S 95P 21G 96S 96P 23G 31U 31F 31G 33U 33F 33G CTO 15U 25U 26U 35U B1U 36U 41U 51U 52U 52F 53U 53F 61U)	73P0546
8	System Board W/O POV2 Card (all models B1U 36U 41U 51U 52U 52F 53U 53F 61U 37U)	73P0544
9	64MB Memory 133MHz (models 91S 91P 11U CTO)	10K0056
9	128MB Memory 133MHz (models 13U 93S 93P 95S 95P 21G 96S 96P 23G 31U 31F 31G 33U 33F 33G CTO 15U 25U 26U 35U B1U 36U 37U)	10K0058
9	256MB Memory 133MHz (models CTO 41U 51U 52U 52F 53U 53F 61U)	10K0060
10	Fan Sink (model CTO 51U 52U 52F 53U 53F 61U 91S 91P 11U 13U 93S 93P 95S 95P 21G 96S 96P 23G 31U 31F 31G 33U 33F 33G 15U 25U 26U 35U B1U 36U 41U 37U)	32P4004
10	Processor - Intel P4 1.5GHz (models 91S 91P 11U 13U 93S 93P CTO 15U)	33P0961
10	Processor - Intel P4 1.6GHz (models 95S 95P 21G 96S 96P 23G CTO 25U 26U)	33P0963
10	Processor - Intel P4 1.7GHz (models B1U)	49P0189
10	Processor - Intel P4 1.8GHz (models 31U 31F 31G 33U 33F 33G CTO 35U 36U 37U)	33P0965
10	Processor - Intel P4 1.9GHz (models 41U)	49P1726
10	Processor - Intel P4 2.0GHz (model CTO)	25P6177
10	Processor - Intel P4 2.0GHz (models 51U 52U 52F 53U 53F)	59P7160
10	Processor - Intel P4 2.0GHz (models 51U 52U 52F 53U 53F)	48P7205
10	Processor - Intel P4 2.2GHz (model 61U)	59P7161
10	Processor - Intel P4 2.2GHz (model 61U)	48P7206
10	Retention Module Kit (all models)	24P4811
11	Power Supply 185W PFC (models 91S 11U 13U 93S 95S 21G 96S 23G 31U 31F 31G 33U 33F 33G CTO 15U 25U 26U 35U B1U 36U 41U 51U 52U 52F 53U 53F 61U 37U)	24P6883
11	Power Supply 185W China (models 91P 93P 95P 96P)	24P6885
	Bezel Blanks Kit (all models)	25P0068
	Front Bezel Release Arm (all models)	25P0069
	I/O Cards Retainer (all models)	59P8564
	DASD Rail Kit soft mount w/ clips (all models)	19K5331
	Floppy Disk Drive Cable (all models)	01K1513
	Audio Cable (all models)	75H9219
	Dual USB Cable (all models)	22P1188
	Primary IDE Cable (all models)	37L4525
	Secondary IDE Cable (all models)	37L5098
	Speaker Assembly (soldered terminals) (all models)	00N5151
	5.25-in. EMC Shield (all models)	19K5548
	Hard Disk Drive Bracket Assembly (all models)	25P0072

	Machine Type 6350	
	Power Supply Bracket (all models)	25P0073
	Rubber Foot (all models)	03K9655
	Control Panel Assembly (all models)	25P0074
	Miscellaneous Hardware Kit (all models)	09N5764
	Lock assembly (all models)	25P0076
	Planar EMC Shield Kit (all models)	25P0078
	Power Panel Kit (all models)	25P0079
	Fan 80mm (all models)	22P4447
	PCMCIA Asm (models CTO)	59P8587
	Audio cable (front panel) (models CTO)	25P4974
	Cable, 1394 6-pin (models CTO)	25P0084
	Marley Audio Card Asm 2 audio only (models CTO)	25P0954
	Marley Firewire Card Asm 2 audio / Firewire (models CTO)	32P4703
	Marley SPDIF Card asm 2 audio / Firewire / SPDIF (models CTO)	32P4704
	Audio/SPDIF Cable (front panel) (models CTO)	25P0002
	Mouse PS/2 - 2-button (Black) (models 91S 91P 11U 13U 93S 93P 95S 95P 21G 96S 96P 23G 31U 31F 31G 33U 33F 33G CTO 15U 25U 26U 35U)	10L6149
	Mouse USB ScrollPoint III (Black) (models CTO)	24P0485
	Battery, 3.0V (all models)	33F8354
	nVidia Vanta-16MB-4XAGP (all models)	25P4058
	nVidia GeForce2 MX-VGA only (ATX) (models CTO)	25P5848
	nVidia GeForce2 MX-VGA/DVI/TVout (ATX) (models CTO)	22P1069
	64MB nVidia GeForce2 GTS Pro (ATX) (models CTO)	22P1390
	64MB Radeon VE (models 41U 51U 61U)	49P0278
	56k V.90 data/fax PCI Modem (US) (ATX)(models CTO)	19K2965
	1394 Firewire PCI-LP (ATX) (models CTO)	22P6849
	PCMCIA/IEEE-1394 Combo PCI-LP (ATX) (models CTO)	TBD
	Jazz Infinity, 2-pc active, Tier 1 - black (models CTO)	25P4726
	Power brick - US, CE, CF, LA, Taiwan (models CTO)	10K2587

	Recovery CDs Win 98 - Machine Type 6350	
	US Win 98 Recovery CD (models 11U 31U CTO)	59P1100
	UK Win 98 Recovery CD (models 21G)	59P1106
	FR Win 98 Recovery CD (models 21G)	59P1109
	GR Win 98 Recovery CD (models 21G)	59P1112
	LA Win 98 Recovery CD (models 91S 95S)	59P1124
	IT Win 98 Recovery CD (models 21G 31G)	59P1121
	CF Win 98 Recovery CD (model 31F)	59P1118

	Recovery CDs Win 98 - Machine Type 6350	
	SV Win 98 Recovery CD (models 21G)	59P1139
	BR Win 98 Recovery CD (models 91P 95P)	59P1151
	SP Win 98 Recovery CD (models 21G)	59P1130
	DK Win 98 Recovery CD (models 21G)	59P1136
	NL Win 98 Recovery CD (models 21G)	59P1127
	AE Win 98 Recovery CD (models 21G)	59P1115
	SK Win 98 Recovery CD (models 21G)	59P1175
	HE Win 98 Recovery CD (models 21G)	59P1154
	FI Win 98 Recovery CD (models 21G)	59P1142
	NO Win 98 Recovery CD (models 21G)	59P1145
	PL Win 98 Recovery CD (models 21G)	59P1157
	PO Win 98 Recovery CD (models 21G)	59P1148
	RU Win 98 Recovery CD (models 21G)	59P1166
	HU Win 98 Recovery CD (models 21G)	59P1169
	SL Win 98 Recovery CD (models 21G)	59P1160
	CZ Win 98 Recovery CD (models 21G)	59P1163
	TR Win 98 Recovery CD (models 21G)	59P1172
	TH Win 98 Recovery CD (models 21G)	59P1178
	GK Win 98 Recovery CD (models 21G)	59P1133

	Recovery CDs Win 2000 - Machine Type 6350	
	US (models 13U 33U CTO 53U 36U)	59P1181
	UK (models 23G 33G)	59P1187
	FR (models 23G 33G)	59P1190
	GR (models 23G 33G)	59P1193
	LA (models 93S 96S)	59P1205
	IT (models 23G 33G)	59P1202
	CF (models 33F 53F)	59P1199
	BR (models 93P 96P)	59P1235
	SP (models 23G 33G)	59P1208
	DK (models 23G 33G)	59P1220
	NL (models 23G 33G)	59P1211
	AE (models 23G 33G)	59P1196
	SV (models 23G 33G)	59P1229
	HE (models 23G 33G)	59P1232
	FI (models 23G 33G)	59P1223
	NO (models 23G 33G)	59P1226
	PL (models 23G 33G)	59P1238
	PO (models 23G 33G)	59P1217
	RU (models 23G 33G)	59P1244
	HU (models 23G 33G)	59P1247

	Recovery CDs Win 2000 - Machine Type 6350	
	CZ (models 23G 33G)	59P1241
	TR (models 23G 33G)	59P1250
	GK (models 23G 33G)	59P1214

	Recovery CDs Win XP Pro - Machine Type 6350	
	US (models 15U 25U 26U 35U 51U 52U 61U 37U)	33P1962
	FR (models 52F)	33P1971

	Keyboards (Standard PS/2 Black) - Machine Type 6350	
	US English (models 11U 13U 31U 33U CTO 15U 25U 26U 35U ADD B1U 36U 41U 51U 52U 53U 61U 37U)	32P5000
	Arabic (models 21G 23G 31G 33G)	32P5001
	Belgian/French (models 21G 23G 31G 33G)	32P5002
	Belgian/UK (models 21G 23G 31G 33G)	32P5003
	Bulgarian (models 21G 23G 31G 33G)	32P5004
	Czech (models 21G 23G 31G 33G)	32P5006
	Danish (models 21G 23G 31G 33G)	32P5007
	Dutch (models 21G 23G 31G 33G)	32P5008
	French (models 21G 23G 31G 33G)	32P5009
	French Canadian 058 (models 31F 33F)	32P5010
	French Canadian 445 (models 31F 33F)	32P5011
	German (models 21G 23G 31G 33G)	32P5012
	Greek (models 21G 23G 31G 33G)	32P5013
	Hebrew (models 21G 23G 31G 33G)	32P5014
	Hungarian (models 21G 23G 31G 33G)	32P5015
	Iceland (models 21G 23G 31G 33G)	32P5016
	Italian (models 21G 23G 31G 33G)	32P5017
	LA Spanish (models 91S 93S 95S 96S)	32P5020
	Norwegian (models 21G 23G 31G 33G)	32P5021
	Polish (models 21G 23G 31G 33G)	32P5022
	Portugese (models 21G 23G 31G 33G)	32P5023
	Romanian (models 21G 23G 31G 33G)	32P5024
	Russian (models 21G 23G 31G 33G)	32P5025
	Russian/Cy (models 21G 23G 31G 33G)	32P5026
	Serbian/Cyrillic (models 21G 23G 31G 33G)	32P5027
	Slovak (models 21G 23G 31G 33G)	32P5028
	Spanish (models 21G 23G 31G 33G)	32P5029
	Swedish/Finn (models 21G 23G 31G 33G)	32P5030
	Swiss F/G (models 21G 23G 31G 33G)	32P5031
	Turkish EURO Phase I (models 21G 23G 31G 33G)	32P5033
	Turkish EURO Phase II (models 21G 23G 31G 33G)	32P5034

Keyboards (Standard PS/2 Black) - Machine Type 6350		
	UK English (models 21G 23G 31G 33G)	32P5035
	US International (models 21G 23G 31G 33G)	32P5036
	Yugoslav/Latin (models 21G 23G 31G 33G)	32P5037
	Brazil/Portugese (models 91P 93P 95P 96P)	32P5038

Power Cords - Type 6350		
	Line Cord (all models)	6952301
	Line Cord (all models)	13F9939
	Line Cord (all models)	13F9978
	Line Cord (all models)	14F0032
	Line Cord (all models)	13F9996
	Line Cord (all models)	14F0068
	Line Cord (all models)	36L8879
	Line Cord (all models)	1838576
	Line Cord (all models)	02K0545
	Line Cord (all models)	14F0086
	Line Cord (all models)	14F0014
	Line Cord (all models)	14F0050

Machine Type 6794		
1	Side Cover Assembly (Raven Black) (models 11U 21U 21F 21G 22G 23G 31U 31F 31G CAU CBU CCU CTO 11G 71G 72G 16U 16F 26U 26G 34U 35U.35F 36U 36F 17G 42U 42F 42G 43U 43F 43G 75G CDU 76G 77G 78G 73G 74G)	25P0066
1	Side Cover Assembly (Pearl White) (models 11A 11T 21A 21T 31A 31T 14C 14M 14V 14D 15C 15M 15V 15D 24C 24M 24V 24D 25C 25M 25V 25D 32C 32M 32V 32D 33C 33M 33V 33D 26A 26T 27C 27M 27V 27D 79G)	25P0001
2	Chassis staked (all models)	25P0064
2	"L" Cover (Raven Black) (models 11U 21U 21F 21G 22G 23G 31U 31F 31G CAU CBU CCU CTO 11G 71G 72G 16U 16F 26U 26G 34U 35U.35F 36U 36F 17G 42U 42F 42G 43U 43F 43G 75G CDU 76G 77G 78G 73G 74G)	25P0065
2	"L" Cover (Pearl White) (models 11A 11T 21A 21T 31A 31T 14C 14M 14V 14D 15C 15M 15V 15D 24C 24M 24V 24D 25C 25M 25V 25D 32C 32M 32V 32D 33C 33M 33V 33D 26A 26T 27C 27M 27V 27D 79G)	25P0075
3	Front Bezel Assembly (Raven Black) (models 11U 21U 21F 21G 22G 23G 31U 31F 31G CAU CBU CCU CTO 11G 71G 72G 16U 16F 26U 26G 34U 35U.35F 36U 36F 17G 42U 42F 42G 43U 43F 43G 75G CDU 76G 77G 78G 73G 74G)	25P0067
3	Front Bezel Assembly (Pearl White) (models 11A 11T 21A 21T 31A 31T 14C 14M 14V 14D 15C 15M 15V 15D 24C 24M 24V 24D 25C 25M 25V 25D 32C 32M 32V 32D 33C 33M 33V 33D 26A 26T 27C 27M 27V 27D 79G)	25P0007

	Machine Type 6794	
4	Trim Bezel Kit (Black & non-JP) models 11U 21U 21F 21G 22G 23G 31U 31F 31G CAU CBU CCU CTO 16U 16F 26U 26G 34U 35U 35F 36U 36F 17G 37U 37F 37G 3AU 3BU 3BF 3CU 3CF 42U 42F 42G 43U 43F 43G 76G 77G 75G 78G CDU CEU 73G 74G)	49P1900
4	Trim Bezel Kit (White and JP) models 11A 11T 21A 21T 31A 31T 14C 14M 14V 14D 15C 15M 15V 15D 24C 24M 24V 24D 25C 25M 25V 25D 32C 32M 32V 32D 33C 33M 33V 33D 26A 26T 27C 27M 27V 27D 79G)	49P1901
5	CD-ROM Drive 48X (Black) (models 11U 21U 21F 21G 22G 23G 31U 31F 31G CTO 11G 71G 72G 16U 16F 26U 26G 34U 35U.35F 36U 36F 17G 42U 42F 42G 43U 43F 43G 75G 37U 37F 37G 3AU 3BU 3BF 3CU 3CF CEU 73G 74G 76G 77G)	33P3203
5	CD-ROM Drive 48X (Black) (models 11U 21U 21F 21G 22G 23G 31U 31F 31G CTO 11G 71G 72G 16U 16F 26U 26G 34U 35U.35F 36U 36F 17G 42U 42F 42G 43U 43F 43G 75G 37U 37F 37G 3AU 3BU 3BF 3CU 3CF CEU 73G 74G 76G 77G)	33P3207
5	CD-ROM Drive 48X (Black) (models 11U 21U 21F 21G 22G 23G 31U 31F 31G CTO 11G 71G 72G 16U 16F 26U 26G 34U 35U.35F 36U 36F 17G 42U 42F 42G 43U 43F 43G 75G 37U 37F 37G 3AU 3BU 3BF 3CU 3CF CEU 73G 74G 76G 77G)	33P3215
5	CD-ROM Drive 48X (Black) (models 11U 21U 21F 21G 22G 23G 31U 31F 31G CTO 11G 71G 72G 16U 16F 26U 26G 34U 35U.35F 36U 36F 17G 42U 42F 42G 43U 43F 43G 75G 37U 37F 37G 3AU 3BU 3BF 3CU 3CF CEU 73G 74G 76G 77G)	33P3211
5	CD-ROM Drive 48X (White) (models 11A 11T 21A 21T 31A 31T 14C 14M 14V 14D 15C 15M 15V 15D 24C 24M 24V 24D 25C 25M 25V 25D 32C 32M 32V 32D 33C 33M 33V 33D 26A 26T 27C 27M 27V 27D 37A 37T 38C 38M 38V 38D 39C 39M 39V 39D 78G 79G)	33P3201
5	CD-ROM Drive 48X (White) (models 11A 11T 21A 21T 31A 31T 14C 14M 14V 14D 15C 15M 15V 15D 24C 24M 24V 24D 25C 25M 25V 25D 32C 32M 32V 32D 33C 33M 33V 33D 26A 26T 27C 27M 27V 27D 37A 37T 38C 38M 38V 38D 39C 39M 39V 39D 78G 79G)	33P3205
5	CD-ROM Drive 48X (White) (models 11A 11T 21A 21T 31A 31T 14C 14M 14V 14D 15C 15M 15V 15D 24C 24M 24V 24D 25C 25M 25V 25D 32C 32M 32V 32D 33C 33M 33V 33D 26A 26T 27C 27M 27V 27D 37A 37T 38C 38M 38V 38D 39C 39M 39V 39D 78G 79G)	33P3209
5	DVD-ROM 16X/48X Black (models CTO)	33P3259
5	CD/RW 16X/10X/40X Black (models CTO)	24P3627
5	CD/RW 16X/10X/40X Black (models CTO)	24P3631
5	CD/RW 48X/32X/48X Black (Universal) (models CTO)	26K5376
5	DVD-ROM/CD-RW Combo Black (models CTO)	33P3227
5	DVD RAM 9.4GB 2X/6X/24X Black (models CTO)	24P3615

	Machine Type 6794	
6	3.5-in. 1.44 M 2-mode Floppy Disk Drive (models 11U 21U 21F 21G 22G 23G 31U 31F 31G CAU CBU CCU CTO 14C 14M 14V 14D 15C 15M 15V 15D 24C 24M 24V 24D 25C 25M 25V 25D 32C 32M 32V 32D 33C 33M 33V 33D 11G 71G 72G 16U 16F 26U 26G 26T 27C 27M 27V 27D 34U 35U.35F 36U 36F 17G 42U 42F 42G 43U 43F 43G 75G CDU 37U 37F 37G 37T 38C 38M 38V 38D 39C 39M 39V 39D 3AU 3BU 3BF 3CU 3CF CEU 76G 77G 78G 79G 73G 74G)	75H9550
6	3.5-in. 1.44 M 3-mode Floppy Disk Drive (models 11A 11T 21A 21T 31A 31T CTO 26A 37A)	19K1543
7	20GB Hard Drive Value EIDE ATA-100 (models CTO)	19K1560
7	40GB Hard Drive Value EIDE ATA-100 (models CTO)	19K1562
7	60GB Hard Drive Value EIDE ATA-100 (models CTO)	19K1581
7	80GB Hard Drive Value EIDE ATA-100 (models CTO)	06P5237
7	20GB Hard Drive 7200rpm EIDE ATA-100 (models CTO)	19K1565
7	40GB Hard Drive 7200rpm EIDE ATA-100 (model CTO 14C 14M 14V 14D 15C 15M 15V 15D 24C 24M 24V 24D 25C 25M 25V 25D 32C 32M 32V 32D 33C 33M 33V 33D 11G 71G 72G 11U 11A 11T 21U 21F 21G 21A 21T 22G 23G 31U 31F 31G 31A 31T 16U 16F 26U 26G 26A 26T 27C 27M 27V 27D 34U 35U.35F 36U 36F 17G 42U 42F 42G 43U 43F 43G 75G 37U 37F 37G 37A 37T 38C 38M 38V 38D 39C 39M 39V 39D 3AU 3BU 3BF 3CU 3CF 76G 77G 78G 79G 73G 74G)	19K1568
7	60GB Hard Drive 7200rpm EIDE ATA-100 (model CTO)	19K1570
7	80GB Hard Drive 7200rpm EIDE ATA-100 (model CTO)	24P3665
8	System Board W/O POV2 Card (all models 11U 11A 11T 21U 21F 21G 21A 21T 22G 23G 31U 31F 31G 31A 31T CAU CBU CCU CTO 14C 14M 14V 14D 15C 15M 15V 15D 24C 24M 24V 24D 25C 25M 25V 25D 32C 32M 32V 32D 33C 33M 33V 33D 11G 71G 72G 16U 16F 26U 26G 26A 26T 27C 27M 27V 27D 34U 35U.35F 36U 36F)	73P0546
8	System Board W/O POV2 Card (all models 17G 42U 42F 42G 43U 43F 43G 75G CDU 37U 37F 37G 37A 37T 38C 38M 38V 38D 39C 39M 39V 39D 3AU 3BU 3BF 3CU 3CF CEU 76G 77G 78G 79G 73G 74G)	73P0544
9	64MB Memory 133MHz (models CTO)	10K0056
9	128MB Memory 133MHz (models 11U 11A 11T 21U 21F 21G 21A 21T 22G 23G CAU CBU CCU CTO 14C 14M 14V 14D 15C 15M 15V 15D 24C 24M 24V 24D 25C 25M 25V 25D 32C 32M 32V 32D 33C 33M 33V 33D 11G 71G 72G 16U 16F 26U 26G 26A 26T 27C 27M 27V 27D 17G 75G CDU 38C 38M 38V 38D 39C 39M 39V 39D 76G 79G 73G 74G)	10K0058
9	256MB Memory 133MHz (models 31U 31F 31G 31A 31T CTO 34U 35U.35F 36U 36F 42U 42F 42G 43U 43F 43G 37U 37F 37G 37A 37T 3AU 3BU 3BF 3CU 3CF CEU)	10K0060
10	Processor - Intel P4 1.5GHz (models CTO 71G 72G)	33P0961
10	Processor - Intel P4 1.6GHz (models 11U 11A 11T CAU CTO 14C 14M 14V 14D 15C 15M 15V 15D 11G 16U 16F 17G 75G 73G 74G)	33P0963
10	Processor - Intel P4 1.7GHz (optional to 49P0189) (models 79G)	25P5041

	Machine Type 6794	
10	Processor - Intel P4 1.7GHz (models 79G)	49P0189
10	Processor - Intel P4 1.8GHz (models 21U 21F 21G 21A 21T 22G 23G CBU CTO 24C 24M 24V 24D 25C 25M 25V 25D 26U 26G 26A 26T 27C 27M 27V 27D 76G 77G 78G)	33P0965
10	Processor - Intel P4 2.0GHz (model 31U 31F 31G 31A 31T CCU CTO 32C 32M 32V 32D 33C 33M 33V 33D 34U 35U 35F 36U 36F 37U 37F 37G 37A 37T 38C 38M 38V 38D 39C 39M 39V 39D 3AU 3BU 3BF 3CU 3CF CEU)	25P6177
10	Processor - Intel P4 2.2GHz (model 42U 42F 42G 43U 43F 43G CDU)	73P0571
10	Retention Module Kit (all models)	24P4811
10	Fan Sink (all models)	32P4004
11	Power Supply 185W PFC (models 11U 11A 11T 21U 21F 21G 21A 21T 22G 23G 31U 31F 31G 31A 31T CAU CBU CCU CTO 14M 14V 14D 15M 15V 15D 24M 24V 24D 25M 25V 25D 32M 32V 32D 33M 33V 33D 11G 71G 72G 16U 16F 26U 26G 26A 26T 27M 27V 27D 34U 35U.35F 36U 36F 17G 42U 42F 42G 43U 43F 43G 75G CDU 37U 37F 37G 37A 37T 38M 38V 38D 39M 39V 39D 3AU 3BU 3BF 3CU 3CF CEU 76G 77G 78G 79G 73G 74G)	24P6883
11	Power Supply 185W China (models 14C 15C 24C 25C 32C 33C 27C 38C 39C)	24P6885
	Bezel Blanks Kit (all models)	25P0068
	Front Bezel Release Arm (all models)	25P0069
	I/O Cards Retainer (all models)	59P8564
	DASD Rail Kit soft mount w/ clips (all models)	19K5331
	Floppy Disk Drive Cable (all models)	01K1513
	Audio Cable (models 11U 11A 11T 21U 21F 21G 21A 21T 22G 23G 31U 31F 31G 31A 31T CAU CBU CCU CTO 14C 14M 14V 14D 15C 15M 15V 15D 24C 24M 24V 24D 25C 25M 25V 25D 32C 32M 32V 32D 33C 33M 33V 33D 11G 71G 72G 16U 16F 26U 26G 26A 26T 27C 27M 27V 27D 34U 35U.35F 36U 36F 76G 77G 78G 79G 73G 74G)	75H9219
	Dual USB Cable (all models)	22P1188
	Primary IDE Cable (all models)	37L4525
	Secondary IDE Cable (all models)	37L5098
	Speaker Assembly (soldered terminals) (all models)	00N5151
	5.25-in. EMC Shield (all models)	19K5548
	Hard Disk Drive Bracket Assembly (all models)	25P0072
	Power Supply Bracket (all models)	25P0073
	Rubber Foot (all models)	03K9655
	Control Panel Assembly (all models)	25P0074
	Miscellaneous Hardware Kit (all models)	09N5764
	Lock assembly (all models)	25P0076
	Planar EMC Shield Kit (all models)	25P0078
	Power Panel Kit (all models)	25P0079
	Fan 80mm (all models)	22P4447

Machine Type 6794		
	Universal adapter bracket (3.5-5.25) (all models)	32P4743
	Mouse PS/2 - 2-button (Black) (models 11U 21U 21F 21G 22G 23G 31U 31F 31G CTO 11G 71G 72G 16U 16F 26U 26G 34U 35U.35F 36U 36F 17G 42U 42F 42G 43U 43F 43G 75G 37U 37F 37G 3AU 3BU 3BF 3CU 3CF CEU 76G 77G 78G 73G 74G)	10L6149
	Mouse PS/2 - 2-button (White) (models 11A 11T 21A 21T 31A 31T CTO 14C 14M 14V 14D 15C 15M 15V 15D 24C 24M 24V 24D 25C 25M 25V 25D 32C 32M 32V 32D 33C 33M 33V 33D 26A 26T 27C 27M 27V 27D 37A 37T 38C 38M 38V 38D 39C 39M 39V 39D 79G)	10L6145
	Mouse USB ScrollPoint III (Black) (models CTO)	24P0485
	Battery, 3.0V (all models)	33F8354
	nVidia Vanta-16MB-4XAGP (models 11U 11A 11T 21U 21F 21G 21A 21T 22G 23G 31U 31F 31G 31A 31T CAU CBU CCU CTO 11G 71G 72G 16U 16F 26U 26G 26A 26T 35U.35F 36U 36F 17G 42U 42F 42G 43U 43F 43G 75G 37U 37F 37G 37A 37T 3BU 3BF 3CU 3CF CEU 76G 77G 78G 79G 73G 74G)	25P4058
	nVidia GeForce2 MX-VGA only (ATX) (models CTO 14C 14M 14V 14D 15C 15M 15V 15D 24C 24M 24V 24D 25C 25M 25V 25D 32C 32M 32V 32D 33C 33M 33V 33D 27C 27M 27V 27D 34U 37U 37F 37G 37A 37T 3BU 3BF 3CU 3CF)	25P5848
	nVidia GeForce2 MX-VGA/DVI/TVout (ATX) (models CTO)	22P1069
	64MB nVidia GeForce2 GTS Pro (ATX) (models CTO)	22P1390
	64MB Radeon VE (models 41U 51U 61U)	49P0278
	56k V.90 data/fax PCI Modem (US) (ATX)(models CTO)	19K2965
	1394 Firewire PCI-LP (ATX) (models CTO)	22P6849
	PCMCIA/IEEE-1394 Combo PCI-LP (ATX) (models CTO)	32P4742
	Jazz Infinity, 2-pc active, Tier 1 - black (models CTO)	25P4726
	Power brick - US, CE, CF, LA, Taiwan (models CTO)	10K2587

Recovery CDs Win 98 - Machine Type 6794		
	US Win 98 Recovery CD (models 16U 36U 3CU)	59P1100
	AP Win 98 Recovery CD (models 15D 25D 33D 39D)	59P1103
	UK Win 98 Recovery CD (models 22G 71G 17G 76G 73G)	59P1106
	FR Win 98 Recovery CD (models 22G 71G 17G 76G 73G)	59P1109
	GR Win 98 Recovery CD (models 22G 71G 17G 76G 73G)	59P1112
	IT Win 98 Recovery CD (models 22G 71G 17G 76G 73G)	59P1121
	CF Win 98 Recovery CD (models 16F 36F 3CF)	59P1118
	SW Win 98 Recovery CD (models 22G 71G 17G 76G 73G)	59P1139
	SP Win 98 Recovery CD (models 22G 71G 17G 76G 73G)	59P1130
	DK Win 98 Recovery CD (models 22G 71G 17G 76G 73G)	59P1136
	NL Win 98 Recovery CD (models 22G 71G 17G 76G 73G)	59P1127

Recovery CDs Win 98 - Machine Type 6794		
	AE Win 98 Recovery CD (models 22G 71G 17G 76G 73G)	59P1115
	SV Win 98 Recovery CD (models 22G 71G 17G 76G 73G)	59P1175
	HB Win 98 Recovery CD (models 22G 71G 17G 76G 73G)	59P1154
	FI Win 98 Recovery CD (models 22G 71G 17G 76G 73G)	59P1142
	NO Win 98 Recovery CD (models 22G 71G 17G 76G 73G)	59P1145
	PL Win 98 Recovery CD (models 22G 71G 17G 76G 73G)	59P1157
	PO Win 98 Recovery CD (models 22G 71G 17G 76G 73G)	59P1148
	RU Win 98 Recovery CD (models 22G 71G 17G 76G 73G)	59P1166
	HU Win 98 Recovery CD (models 22G 71G 17G 76G 73G)	59P1169
	SL Win 98 Recovery CD (models 22G 71G 17G 76G 73G)	59P1160
	CZ Win 98 Recovery CD (models 22G 71G 17G 76G 73G)	59P1163
	TR Win 98 Recovery CD (models 22G 71G 17G 76G 73G)	59P1172
	GK Win 98 Recovery CD (models 22G 71G 17G 76G 73G)	59P1133
	Simplified Chinese Win 98 Recovery CD (models 15C 25C 33C 39C)	62P8743
	Traditional Chinese Win 98 Recovery CD (models 15V 25V 33V 39V)	62P8744
	HK Traditional Chinese Win 98 Recovery CD (models 15M 25M 33M 39M)	46P4000

Recovery CDs Win 2000 - Machine Type 6794		
	US (models 11U 21U 31U 42U 37U)	59P1181
	AP (models 11A 21A 31A 14D 24D 32D 37A 38D)	59P1184
	UK (models 21G 31G 72G 42G 37G 74G)	59P1187
	FR (models 21G 31G 72G 42G 37G 74G)	59P1190
	GR (models 21G 31G 72G 42G 37G 74G)	59P1193
	IT (models 21G 31G 72G 42G 37G 74G)	59P1202
	CF (models 21F 31F 42F 37F)	59P1199
	SP (models 21G 31G 72G 42G 37G 74G)	59P1208
	DK (models 21G 31G 72G 42G 37G 74G)	59P1220
	NL (models 21G 31G 72G 42G 37G 74G)	59P1211
	AE (models 21G 31G 72G 42G 37G 74G)	59P1196
	SW (models 21G 31G 72G 42G 37G 74G)	59P1229
	HB (models 21G 31G 72G 42G 37G 74G)	59P1232
	FI (models 21G 31G 72G 42G 37G 74G)	59P1223
	NO (models 21G 31G 72G 42G 37G 74G)	59P1226
	PL (models 21G 31G 72G 42G 37G 74G)	59P1238
	PO (models 21G 31G 72G 42G 37G 74G)	59P1217
	RU (models 21G 31G 72G 42G 37G 74G)	59P1244
	HU (models 21G 31G 72G 42G 37G 74G)	59P1247
	CZ (models 21G 31G 72G 42G 37G 74G)	59P1241
	TR (models 21G 31G 72G 42G 37G 74G)	59P1250

Recovery CDs Win 2000 - Machine Type 6794		
	TH (models 11T 21T 31T 37T)	59P1253
	GK (models 21G 31G 72G 42G 37G 74G)	59P1214
	Simplified Chinese (models 14C 24C 32C 38C)	62P8740
	Taiwan - TC (models 14V 24V 32V 38V)	62P8741
	Hong Kong - TC (models 14M 24M 32M 38M)	62P8742

Recovery CDs Win XP Home - Machine Type 6794		
	US XP-H (model 23G)	33P1881
	FR XP-H (model 23G)	33P1890
	GR XP-H (model 23G)	33P1893
	IT XP-H (model 23G)	33P1899
	SP XP-H (model 23G)	33P1908
	DK XP-H (model 23G)	33P1911
	NL XP-H (model 23G)	33P1914
	AE XP-H (model 23G)	33P1917
	SW XP-H (model 23G)	33P1920
	HB XP-H (model 23G)	33P1923
	FI XP-H (model 23G)	33P1926
	NO XP-H (model 23G)	33P1929
	PL XP-H (model 23G)	33P1932
	PO XP-H (model 23G)	33P1935
	RU XP-H (model 23G)	33P1938
	HU XP-H (model 23G)	33P1941
	SL XP-H (model 23G)	33P1944
	CZ XP-H (model 23G)	33P1947
	TR XP-H (model 23G)	33P1950
	SK XP-H (model 23G)	33P1953
	GK XP-H (model 23G)	33P1959

Recovery CDs Win XP Pro - Machine Type 6794		
	US XP-P (models 26U 26G 26A 26T 27D 34U 35U 43U 43G 75G 3AU 3BU 77G 78G 79G)	33P1962
	FR XP-P (models 26G 35F 43F 43G 75G 3BF 77G 78G 79G)	33P1971
	GR XP-P (models 26G 43G 75G 77G 78G 79G)	33P1974
	IT XP-P (models 26G 43G 75G 77G 78G 79G)	33P1980
	SP XP-P (models 26G 43G 75G 77G 78G 79G)	33P1989
	DK XP-P (models 26G 43G 75G 77G 78G 79G)	33P1992
	NL XP-P (models 26G 43G 75G 77G 78G 79G)	33P1995
	AE XP-P (models 26G 43G 75G 77G 78G 79G)	33P1998
	SW XP-P (models 26G 43G 75G 77G 78G 79G)	33P2001
	HB XP-P (models 26G 43G 75G 77G 78G 79G)	33P2004

Recovery CDs Win XP Pro - Machine Type 6794		
FI XP-P (models 26G 43G 75G 77G 78G 79G)		33P2007
NO XP-P (models 26G 43G 75G 77G 78G 79G)		33P2010
PL XP-P (models 26G 43G 75G 77G 78G 79G)		33P2013
PO XP-P (models 26G 43G 75G 77G 78G 79G)		33P2016
RU XP-P (models 26G 43G 75G 77G 78G 79G)		33P2019
HU XP-P (models 26G 43G 75G 77G 78G 79G)		33P2022
SL XP-P (models 26G 43G 75G 77G 78G 79G)		33P2025
CZ XP-P (models 26G 43G 75G 77G 78G 79G)		33P2028
TR XP-P (models 26G 43G 75G 77G 78G 79G)		33P2031
SK XP-P (models 26G 43G 75G 77G 78G 79G)		33P2034
GK XP-P (models 26G 43G 75G 77G 78G 79G)		33P2040
Simplified Chinese XP-P (model 27C)		46P6880
Traditional Chinese XP-P (models 27M)		46P6881
Hong Kong Traditional Chinese XP-P (model 27D)		46P6882

Keyboards (Standard PS/2 Black) - Machine Type 6794		
US English (all models)		32P5000
Arabic (all models)		32P5001
Belgian/French (all models)		32P5002
Belgian/UK (all models)		32P5003
Bulgarian (all models)		32P5004
Chinese/US (all models)		32P5005
Czech (all models)		32P5006
Danish (all models)		32P5007
Dutch (all models)		32P5008
French (all models)		32P5009
French Canadian 058 (all models)		32P5010
French Canadian 445 (all models)		32P5011
German (all models)		32P5012
Greek (all models)		32P5013
Hebrew (all models)		32P5014
Hungarian (all models)		32P5015
Iceland (all models)		32P5016
Italian (all models)		32P5017
Japanese (all models)		32P5018
Korean (all models)		32P5019
LA Spanish (all models)		32P5020
Norwegian (all models)		32P5021
Polish (all models)		32P5022
Portugese (all models)		32P5023
Romanian (all models)		32P5024

	Keyboards (Standard PS/2 Black) - Machine Type 6794	
	Russian (all models)	32P5025
	Russian/Cy (all models)	32P5026
	Serbian/Cyrillic (all models)	32P5027
	Slovak (all models)	32P5028
	Spanish (all models)	32P5029
	Swedish/Finn (all models)	32P5030
	Swiss F/G (all models)	32P5031
	Thailand (all models)	32P5032
	Turkish EURO Phase I (all models)	32P5033
	Turkish EURO Phase II (all models)	32P5034
	UK English (all models)	32P5035
	US International (all models)	32P5036
	Yugoslav/Latin (all models)	32P5037
	Brazil/Portugese (all models)	32P5038

	Keyboards (Standard PS/2 White) - Machine Type 6794	
	US English (all models)	32P5040
	Arabic (all models)	32P5041
	Belgian/French (all models)	32P5042
	Belgian/UK (all models)	32P5043
	Bulgarian (all models)	32P5044
	Chinese/US (all models)	32P5045
	Czech (all models)	32P5046
	Danish (all models)	32P5047
	Dutch (all models)	32P5048
	French (all models)	32P5049
	French Canadian 058 (all models)	32P5050
	French Canadian 445 (all models)	32P5051
	German (all models)	32P5052
	Greek (all models)	32P5053
	Hebrew (all models)	32P5054
	Hungarian (all models)	32P5055
	Iceland (all models)	32P5056
	Italian (all models)	32P5057
	Japanese (all models)	32P5058
	Korean (all models)	32P5059
	LA Spanish (all models)	32P5060
	Norwegian (all models)	32P5061
	Polish (all models)	32P5062
	Portugese (all models)	32P5063
	Romanian (all models)	32P5064

Keyboards (Standard PS/2 White) - Machine Type 6794		
	Russian (all models)	32P5065
	Russian/Cy (all models)	32P5066
	Serbian/Cyrillic (all models)	32P5067
	Slovak (all models)	32P5068
	Spanish (all models)	32P5069
	Swedish/Finn (all models)	32P5070
	Swiss F/G (all models)	32P5071
	Thailand (all models)	32P5072
	Turkish EURO Phase I (all models)	32P5073
	Turkish EURO Phase II (all models)	32P5074
	UK English (all models)	32P5075
	US International (all models)	32P5076
	Yugoslav/Latin (all models)	32P5077
	Brazil/Portugese (all models)	32P5078

Power Cords - Type 6794		
	Line Cord	6952301
	Line Cord	13F9939
	Line Cord	13F9978
	Line Cord	14F0032
	Line Cord	13F9996
	Line Cord	14F0068
	Line Cord	36L8879
	Line Cord	1838576
	Line Cord	02K0545
	Line Cord	14F0086
	Line Cord	14F0014
	Line Cord	14F0050

Machine Type 6795		
1	Side Cover Assembly (Raven Black) (models 31U 31F 31S 31P 31G)	25P0066
1	Side Cover Assembly (Pearl White) (models 31A 31T 31C 31M 31V 31D 31J)	25P0001
2	Chassis staked (all models)	25P0064
2	"L" Cover (Raven Black) (models 31U 31F 31S 31P 31G)	25P0065
2	"L" Cover (Pearl White) (models 31A 31T 31C 31M 31V 31D 31J)	25P0075
3	Front Bezel Assembly (Raven Black) (models 31U 31F 31S 31P 31G)	25P0067
3	Front Bezel Assembly (Pearl White) (models 31A 31T 31C 31M 31V 31D 31J)	25P0007

	Machine Type 6795	
4	Trim Bezel Kit (Black & non-JP) (models 31U 31F 31S 31P 31G)	49P1900
4	Trim Bezel Kit (White and JP) (models 31A 31T 31C 31M 31V 31D 31J)	49P1901
5	CD-ROM Drive 48X (Black) (models 31U 31F 31S 31P 31G)	33P3203
5	CD-ROM Drive 48X (Black) (models 31U 31F 31S 31P 31G)	33P3207
5	CD-ROM Drive 48X (Black) (models 31U 31F 31S 31P 31G)	33P3215
5	CD-ROM Drive 48X (Black) (models 31U 31F 31S 31P 31G)	33P3211
5	CD-ROM Drive 48X (White) (models 31A 31T 31C 31M 31V 31D 31J)	33P3201
5	CD-ROM Drive 48X (White) (models 31A 31T 31C 31M 31V 31D 31J)	33P3205
5	CD-ROM Drive 48X (White) (models 31A 31T 31C 31M 31V 31D 31J)	33P3209
6	3.5-in. 1.44 M 2-mode Floppy Disk Drive (models 31U 31F 31S 31P 31G 31C 31M 31V 31D)	75H9550
6	3.5-in. 1.44 M 3-mode Floppy Disk Drive (models 31A 31T 31J)	19K1543
7	40GB Hard Drive 7200rpm EIDE ATA-100 (model 31U 31F 31S 31P 31G 31A 31T 31C 31M 31V 31D 31J)	19K1568
7	60GB Hard Drive 7200rpm EIDE ATA-100 (model 31U 31F 31S 31P)	19K1570
7	80GB Hard Drive 7200rpm EIDE ATA-100 (model 31G 31A 31T 31C 31M 31V 31D 31J)	24P3665
8	System Board W/O POV2 Card (all models 31U 31F 31S 31P 31G 31A 31T 31C 31M 31V 31D 31J)	73P0546
9	256MB Memory 133MHz (models 31U 31F 31S 31P 31G 31A 31T 31C 31M 31V 31D 31J)	10K0060
10	Processor - Intel P4 2.0GHz (models 31U 31F 31S 31P 31G 31A 31T 31C 31M 31V 31D 31J)	25P6177
10	Retention Module Kit (all models)	24P4811
10	Fan Sink (models 31U 31F 31S 31P 31G 31A 31T 31C 31M 31V 31D 31J)	32P4004
11	Power Supply 185W PFC (models 31U 31F 31S 31G 31A 31T 31M 31V 31D 31J)	24P6883
11	Power Supply 185W China (models 31P 31C)	24P6885
	Bezel Blanks Kit (all models)	25P0068
	Front Bezel Release Arm (all models)	25P0069
	I/O Cards Retainer (all models)	25P0070
	DASD Rail Kit soft mount w/ clips (all models)	19K5331
	Floppy Disk Drive Cable (all models)	01K1513
	Audio Cable (all models)	75H9219
	Dual USB Cable (all models)	22P1188
	Primary IDE Cable (all models)	37L4525
	Secondary IDE Cable (all models)	37L5098

	Machine Type 6795	
	Speaker Assembly (soldered terminals) (all models)	00N5151
	5.25-in. EMC Shield (all models)	19K5548
	Hard Disk Drive Bracket Assembly (all models)	25P0072
	Power Supply Bracket (all models)	25P0073
	Rubber Foot (all models)	03K9655
	Control Panel Assembly (all models)	25P0074
	Miscellaneous Hardware Kit (all models)	09N5764
	Lock assembly (all models)	25P0076
	Planar EMC Shield Kit (all models)	25P0078
	Power Panel Kit (all models)	25P0079
	Battery, 3.0V (all models)	33F8354
	Mouse PS/2 - 2-button (Black) (models 31U 31F 31S 31P 31G)	10L6149
	Mouse PS/2 - 2-button (White) (models 31A 31T 31C 31M 31V 31D 31J)	10L6145
	nVidia Vanta-16MB-4XAGP (models 31U 31F 31S 31P 31G 31A 31T 31C 31M 31V 31D 31J)	25P4058

	Recovery CDs Win 2000 - Machine Type 6795	
	US (model 31U)	59P1181
	AP (models 31A 31D)	59P1184
	UK (models 31G)	59P1187
	FR (models 31G)	59P1190
	GR (models 31G)	59P1193
	LA (models 31S)	59P1205
	IT (models 31G)	59P1202
	CF (model 31F)	59P1199
	BR (models 31P)	59P1235
	SP (models 31G)	59P1208
	DK (models 31G)	59P1220
	NL (models 31G)	59P1211
	AE (models 31G)	59P1196
	SV (models 31G)	59P1229
	HB (models 31G)	59P1232
	FI (models 31G)	59P1223
	NO (models 31G)	59P1226
	PL (models 31G)	59P1238
	PO (models 31G)	59P1217
	RU (models 31G)	59P1244
	HU (models 31G)	59P1247
	CZ (models 31G)	59P1241
	TR (models 31G)	59P1250

Recovery CDs Win 2000 - Machine Type 6795		
	TH (model 31T)	59P1253
	GK (model 31G)	59P1214
	Japanese (model 31J)	62P4732
	Simplified Chinese (model 31C)	62P8740
	Taiwan-TC (model 31V)	62P8741
	Hong Kong-TC (model 31M)	62P8742

Keyboards (Standard PS/2 Black) - Machine Type 6795		
	US English (model 31U)	32P5000
	Arabic (model 31G)	32P5001
	Belgian/French (model 31G)	32P5002
	Belgian/UK (model 31G)	32P5003
	Bulgarian (model 31G)	32P5004
	Chinese/US (model 31G)	32P5005
	Czech (model 31G)	32P5006
	Danish (model 31G)	32P5007
	Dutch (model 31G)	32P5008
	French (model 31G)	32P5009
	French Canadian 058 (model 31F)	32P5010
	French Canadian 445 (model 31F)	32P5011
	German (model 31G)	32P5012
	Greek (model 31G)	32P5013
	Hebrew (model 31G)	32P5014
	Hungarian (model 31G)	32P5015
	Iceland (model 31G)	32P5016
	Italian (model 31G)	32P5017
	Japanese (model 31G)	32P5018
	Korean (model 31G)	32P5019
	LA Spanish (model 31G)	32P5020
	Norwegian (model 31G)	32P5021
	Polish (model 31G)	32P5022
	Portugese (model 31G)	32P5023
	Romanian (model 31G)	32P5024
	Russian (model 31G)	32P5025
	Russian/Cy (model 31G)	32P5026
	Serbian/Cyrillic (model 31G)	32P5027
	Slovak (model 31G)	32P5028
	Spanish (model 31G)	32P5029
	Swedish/Finn (model 31G)	32P5030
	Swiss F/G (model 31G)	32P5031
	Thailand (model 31G)	32P5032

Keyboards (Standard PS/2 Black) - Machine Type 6795		
	Turkish EURO Phase I (model 31G)	32P5033
	Turkish EURO Phase II (model 31G)	32P5034
	UK English (model 31G)	32P5035
	US International (model 31G)	32P5036
	Yugoslav/Latin (model 31G)	32P5037
	Brazil/Portugese (model 31P)	32P5038

Keyboards (Standard PS/2 White) - Machine Type 6795		
	US English (models 31A 31D)	32P5040
	Thailand (model 31T)	32P5072

Power Cords - Type 6795		
	Line Cord	6952301
	Line Cord	13F9939
	Line Cord	34G0222
	Line Cord	13F9978
	Line Cord	14F0032
	Line Cord	13F9996
	Line Cord	14F0068
	Line Cord	36L8879
	Line Cord	1838576
	Line Cord	02K0545
	Line Cord	14F0086
	Line Cord	14F0014
	Line Cord	14F0050

Machine Type 6823		
1	Side Cover Assembly (Raven Black) (all models)	25P0066
2	Chassis staked (all models)	25P0064
2	"L" Cover (Raven Black) (all models)	25P0065
3	Front Bezel Assembly (Raven Black) (all models)	25P0067
4	Trim Bezel Kit (Black & JP) (models 91U 91G 91A 92U 92F 93A 94M 94V 11U 12U 13G 14A 14T 15C 16M 16V 18G 19A 19T 21U 21A 22U 23U 23F 24U 24F 25S 25P 2EA 2ET 27A 27T 28C 29C 2AM 2AV 2DG 2FA 2FT 37M 37V 37D 31U 32U 32F 33A 38A 38T 34C 36G CAU CBU CCU CTO 96U 96F 97U 97F 1AU 1AF 2GU 2GF 3AU 3AF 1BA 1CA 42U 42F 42G 43S 43H 43Y 44A)	49P1900
4	Trim Bezel Kit (White & JP) (models 17J 2BJ 2CJ 35J CAU CBU CCU CTO 41J 44A 3JJ)	49P1901
5	CD-ROM Drive 48X (Black) (models 91U 91G 18G CAU CBU CCU CTO 91A 19A 19T 2FA 2FT 96U 96F)	33P3203

	Machine Type 6823	
5	CD-ROM Drive 48X (Black) (models 91U 91G 18G CAU CBU CCU CTO 91A 19A 19T 2FA 2FT 96U 96F)	33P3207
5	CD-ROM Drive 48X (Black) (models 91U 91G 18G CAU CBU CCU CTO 91A 19A 19T 2FA 2FT 96U 96F)	33P3215
5	CD-ROM Drive 48X (Black) (models 91U 91G 18G CAU CBU CCU CTO 91A 19A 19T 2FA 2FT 96U 96F)	33P3211
5	DVD-ROM 16X/48X Black (models 94M 94V 13G 16M 16V 29C 2AM 2AV CAU CBU CCU CTO 34C 2GU 2GF 3AU 3AF 42U 42F 42G 3HC 3LU 3LF)	33P3259
5	CD/RW 16X/10X/40X Black (models 23U 23F 21U 14A 12U 93A 16M 16V 29C 2AM 2AV CAU CBU CCU CTO 2EA 2ET 21A 14T 34C 97U 97F 1AU 1AF 2GU 2GF 3AU 3AF 1BA 1CA 42U 42F 42G 3HC 3LU 3LF)	24P3627
5	CD/RW 16X/10X/40X Black (models 23U 23F 21U 14A 12U 93A 16M 16V 29C 2AM 2AV CAU CBU CCU CTO 2EA 2ET 21A 14T 34C 97U 97F 1AU 1AF 2GU 2GF 3AU 3AF 1BA 1CA 42U 42F 42G 3HC 3LU 3LF)	24P3631
5	CD/RW 48X/32X/48X Black (Universal) (models 23U 23F 21U 14A 12U 93A 16M 16V 29C 2AM 2AV CAU CBU CCU CTO 2EA 2ET 21A 14T 34C 97U 97F 1AU 1AF 2GU 2GF 3AU 3AF 1BA 1CA 42U 42F 42G 3HC 3LU 3LF)	26K5376
5	DVD-ROM/CD-RW Combo Black (models 92U 92F 11U 15C 17J 22U 24U 24F 25S 25P 27A 28C 2BJ 2CJ 2DG CAU CBU CCU CTO 37M 37V 37D 38A 38T 41J 43S 43H 43Y 44A 3BM 3BV 3BD 3CU 3DU 3DF 3EA 3GA 3GT 3JJ 3KG)	33P3227
5	DVD RAM 9.4GB 2X/6X/24X Black (models CAU CBU CCU CTO)	24P3615
6	3.5-in. 1.44 M 2-mode Floppy Disk Drive (models 91U 91G 92U 92F 94M 94V 11U 12U 13G 15C 16M 16V 18G 21U 22U 23U 23F 24U 24F 25S 25P 2AM 2AV 2DG 31U 32U 32F 36G CAU CBU CCU CTO 37M 37V 37D 96U 96F 97U 97F 1AU 1AF 2GU 2GF 3AU 3AF 1BA 1CA 41J 42U 42F 42G 43S 43H 43Y 44A 3CU 3DU 3DF 3KG 3LU 3LF CDU)	75H9550
6	3.5-in. 1.44 M 3-mode Floppy Disk Drive (models 93A 14A 27A 28C 29C 33A 34C 35J 2BJ 2CJ 17J CTO 91A 19A 19T 2EA 2ET 2FA 2FT 38A 38T 21A 14T 3BM 3BV 3BD 3EA 3GA 3GT 3HC 3JJ)	19K1543
7	20GB Hard Drive Value EIDE ATA-100 (models 91U 91G 93A 18G CAU CBU CCU CTO 91A 19A 19T 2FA 2FT)	19K1560
7	40GB Hard Drive Value EIDE ATA-100 (models 92U 92F 11U 12U 13G 24U 24F CAU CBU CCU CTO)	19K1562
7	60GB Hard Drive Value EIDE ATA-100 (models CAU CBU CCU CTO)	19K1581
7	80GB Hard Drive Value EIDE ATA-100 (models CAU CBU CCU CTO)	06P5237
7	20GB Hard Drive 7200rpm EIDE ATA-100 (models CAU CBU CCU CTO 96U 96F)	19K1565
7	40GB Hard Drive 7200rpm EIDE ATA-100 (model 14A 15C 16M 16V 21U 28C 2AM 2AV 2DG 36G CAU CBU CCU CTO 94M 94V 2EA 2ET 21A 14T 97U 97F 1AU 1AF 1BA 1CA 3KG)	19K1568

	Machine Type 6823	
7	60GB Hard Drive 7200rpm EIDE ATA-100 (model 17J 23U 23F 27A 29C 2BJ 34C CAU CBU CCU CTO 2GU 2GF 3HC)	19K1570
7	80GB Hard Drive 7200rpm EIDE ATA-100 (model 22U 25S 25P 2CJ 31U 32U 32F 35J CAU CBU CCU CTO 37M 37V 37D 38A 38T 33A 3AU 3AF 41J 42U 42F 42G 43S 43H 43Y 44A 3BM 3BV 3BD 3CU 3DU 3DF 3EA 3GA 3GT 3JJ 3LU 3LF)	24P3665
8	System Board W/O POV2 Card (all models 91U 91G 92U 92F 93A 94M 94V 11U 12U 13G 14A 15C 16M 16V 17J 18G 21U 22U 23U 23F 24U 24F 25S 25P 27A 28C 29C 2AM 2AV 2BJ 2CJ 2DG 31U 32U 32F 33A 34C 35J 36G CAU CBU CCU CTO 91A 19A 19T 2EA 2ET 2FA 2FT 37M 37V 37D 38A 38T 21A 14T 96U 96F 97U 97F 1AU 1AF 2GU 2GF 3AU 3AF)	73P0546
8	System Board W/O POV2 Card (all models 1BA 1CA 41J 42U 42F 42G 43S 43H 43Y 44A 3BM 3BV 3BD 3CU 3DU 3DF 3EA 3GA 3GT 3HC 3JJ 3KG 3LU 3LF CDU)	73P0544
9	64MB Memory 133MHz (models CTO)	10K0056
9	128MB Memory 133MHz (models 91U 91G 92U 92F 93A 94M 94V 11U 12U 13G 14A 15C 16M 16V 17J 18G 21U 23U 23F 28C 2AM 2AV 2BJ CAU CBU CCU CTO 91A 19A 19T 2EA 2ET 21A 14T ADD 96U 96F 97U 97F 1AU 1AF 2GU 2GF 1BA 1CA CDU)	10K0058
9	256MB Memory 133MHz (models 22U 24U 24F 25S 25P 27A 29C 2CJ 2DG 31U 32U 32F 33A 34C 35J 36G CTO 2FA 2FT 37M 37V 37D 38A 38T 3AU 3AF 41J 42U 42F 42G 43S 43H 43Y 44A 3BM 3BV 3BD 3CU 3DU 3DF 3EA 3GA 3GT 3HC 3JJ 3KG 3LU 3LF)	10K0060
10	Processor - Intel P4 1.5GHz (models 91U 91G 92U 92F 93A 94M 94V CTO 91A 96U 96F 97U 97F)	33P0961
10	Processor - Intel P4 1.6GHz (models 11U 12U 13G 14A 15C 16M 16V 17J 18G CAU CTO 19A 19T 14T 1AU 1AF 1BA 1CA)	33P0963
10	Processor - Intel P4 1.7GHz (models B1U CEU)	49P0189
10	Processor - Intel P4 1.8GHz (models 21U 22U 23U 23F 24U 24F 25S 25P 27A 28C 29C 2AM 2AV 2BJ 2CJ 2DG CBU CTO 2EA 2ET 2FA 2FT 21A 2GU 2GF)	33P0965
10	Processor - Intel P4 2.0GHz (model 31U 32U 32F 33A 34C 35J 36G CCU CTO 37M 37V 37D 38A 38T 3AU 3AF)	25P6177
10	Processor - Intel P4 2.0GHz (models 3BM 3BV 3BD 3CU 3DU 3DF 3EA 3GA 3GT 3HC 3JJ 3KG 3LU 3LF CDU)	73P0570
10	Processor - Intel P4 2.2GHz (model 41J 42U 42F 42G 43S 43H 43Y 44A)	73P0571
10	Fan Sink (all models)	32P4004
10	Retention Module Kit (all models)	24P4811
11	Power Supply 185W PFC (models 91U 91G 92U 92F 93A 94M 94V 11U 12U 13G 14A 16M 16V 17J 18G 21U 22U 23U 23F 24U 24F 25S 27A 2AM 2AV 2BJ 2CJ 2DG 31U 32U 32F 33A 35J 36G CAU CBU CCU CTO 91A 19A 19T 2EA 2ET 2FA 2FT 37M 37V 37D 38A 38T 21A 14T 96U 96F 97U 97F 1AU 1AF 2GU 2GF 3AU 3AF 1BA 1CA 41J 42U 42F 42G 43S 43H 43Y 44A 3BM 3BV 3BD 3CU 3DU 3DF 3GT 3JJ 3KG 3LU 3LF CDU)	24P6883

	Machine Type 6823	
11	Power Supply 185W China (models 15C 25P 28C 29C CTO 34C 3EA 3GA 3HC)	24P6885
	Bezel Blanks Kit (all models)	25P0068
	Front Bezel Release Arm (all models)	25P0069
	I/O Cards Retainer (all models)	59P8564
	DASD Rail Kit soft mount w/ clips (all models)	19K5331
	Floppy Disk Drive Cable (all models)	01K1513
	Audio Cable (all models)	75H9219
	Dual USB Cable (all models)	22P1188
	Primary IDE Cable (all models)	37L4525
	Secondary IDE Cable (all models)	37L5098
	RFID Antenna w/o velcro (models 3EA 3GA 3GT)	03K9654
	Speaker Assembly (soldered terminals) (all models)	00N5151
	5.25-in. EMC Shield (all models)	19K5548
	Hard Disk Drive Bracket Assembly (all models)	25P0072
	Power Supply Bracket (all models)	25P0073
	Rubber Foot (all models)	03K9655
	Control Panel Assembly (all models)	25P0074
	Miscellaneous Hardware Kit (all models)	09N5764
	Lock assembly (all models)	25P0076
	Planar EMC Shield Kit (all models)	25P0078
	Power Panel Kit (all models)	25P0079
	PCMCIA Assembly (models 17J 2BJ 2CJ 35J CAU CBU CCU CTO 41J 44A 3JJ)	59P8587
	Audio cable (front panel) (all models)	25P4974
	Marley Audio Card Asm 2 audio only (models 91U 91G 92U 92F 93A 94M 94V 11U 13G 15C 16M 16V 18G 19A 19T 23U 23F 24U 24F 25S 25P 28C 29C 2AM 2AV 2DG 32U 32F 34C 36G CAU CBU CCU CTO 37M 37V 37D BA 1CA 43S 43H 43J 3BM 3BV 3BD 3DU 3DF 3HC 3KG CDU)	25P0954
	Marley Firewire Card Asm 2 audio / Firewire (models 12U 14A 14T 21U 22U 2EA 2ET 27A 27T 2FA 2FT 31U 33A 38A 38T CAU CBU CCU CTO 96U 96F 97U 97F 1AU 1AF 2GU 2GF 3AU 3AF 42U 42F 42G 44A 3CU 3EA 3GA 3GT 3LU 3LF)	32P4703
	Marley SPDIF Card asm 2 audio / Firewire / SPDIF (models 17J 2BJ 2CJ 35J CAU CBU CCU CTO 41J 3JJ)	32P4704
	Audio/SPDIF Cable (front panel) (models 17J 2BJ 2CJ 35J CAU CBU CCU CTO 41J 3JJ)	25P0002
	Fan 80mm (all models)	22P4447

	Machine Type 6823	
	Mouse USB ScrollPoint III (Black) (models 91U 91G 92U 92F 94M 94V 11U 12U 13G 15C 16M 16V 17J 18G 21U 22U 23U 23F 24U 24F 25S 25P 28C 29C 2AM 2AV 2BJ 2CJ 2DG 31U 32U 32F 34C 35J 36G CAU CBU CCU CTO 91A 37M 37V 37D 21A 96U 96F 97U 97F 1AU 1AF 2GU 2GF 3AU 3AF 1BA 1CA 41J 42U 42F 42G 43S 43H 43Y 3BM 3BV 3BD 3CU 3DU 3DF 3HC 3JJ 3KG 3LU 3LF CDU)	24P0485
	Mouse 2-button PS/2 (Black) (models CTO)	10L6149
	Mouse 2-button PS/2 (White) (models CTO)	10L6145
	Battery, 3.0V (all models)	33F8354
	Cable, 1394 6-pin (models 12U 14A 14T 21U 22U 2EA 2ET 27A 27T 2FA 2FT 31U 33A 38A 38T CAU CBU CCU CTO 96U 96F 97U 97F 1AU 1AF 2GU 2GF 3AU 3AF 42U 42F 42G 44A 3CU 3EA 3GA 3GT 3LU 3LF)	25P0084
	nVidia Vanta-16MB-4XAGP (models 91U 91G 92U 92F 93A 18G CAU CBU CCU CTO 91A 19A 19T 96U 96F 97U 97F 1BA 1CA CDU)	25P4058
	nVidia GeForce2 MX-VGA only (ATX) (models 11U 12U 13G 14A 15C 16M 16V 21U 23U 23F 25S 25P 27A 28C 2AM 2AV 33A 94M 94V CAU CBU CCU CTO 2EA 2ET 37M 37V 37D 38A 38T 21A 14T 34C 1AU 1AF 3BM 3BV 3BD 3EA 3GA 3GT 3HC)	25P5848
	nVidia GeForce2 MX-VGA/DVI/TVout (ATX) (models 17J 22U 24U 24F 29C 2BJ 2CJ 2DG CTO 2FA 2FT 41J 43S 43H 43Y 3CU 3DU 3DF 3JJ)	22P1069
	64MB nVidia GeForce2 GTS Pro (ATX) (models 36G CTO 2GU 2GF 3AU 3AF 42U 42F 42G 3KG 3LU 3LF)	22P1390
	64MB GeForce 3 TV-out Titanium 200 (models K4G)	49P0279
	56k V.90 data/fax PCI Modem (US) (ATX) (models 91U 92U 92F 94M 94V 11U 12U 15C 16M 16V 17J 21U 22U 23U 23F 24U 24F 25S 25P 28C 29C 2AM 2AV 2BJ 2CJ 31U 32U 32F 34C 35J CAU CBU CCU CTO 19T 2ET 2FT 37M 37V 37D 38T 14T 96U 96F 97U 97F 1AU 1AF 2GU 2GF 3AU 3AF 1BA 1CA 41J 42U 42F 42G 43S 43H 43Y 44A 3BM 3BV 3BD 3CU 3DU 3DF 3GT 3HC 3JJ 3LU 3LF)	19K2965
	56k V.90 data/fax PCI Modem (WT) (ATX) (models 33A 14A 93A 27A 91G 18G 13G 2DG 36G CAU CBU CCU CTO 91A 19A 2EA 2FA 38A 21A 3EA 3GA 3KG)	19K2963
	1394 Firewire PCI-LP (ATX) (models 12U 14A 14T 21U 22U 2EA 2ET 27A 27T 2FA 2FT 31U 33A 38A 38T CAU CBU CCU CTO 96U 96F 97U 97F 1AU 1AF 2GU 2GF 3AU 3AF 42U 42F 42G 3CU 3EA 3GA 3GT 3LU 3LF)	22P6849
	PCMCIA/IEEE - 1394 Combo PCI-LP (model 17J 2BJ 2CJ 35J CAU CBU CCU CTO 41J 3JJ)	32P4742
	Jazz Infinity, 2-pc active, Tier 1 - black (models 91U 91G 92U 92F 93A 94M 94V 11U 12U 13G 14A 15C 16M 16V 17J 18G 21U 22U 23U 23F 24U 24F 25S 25P 27A 28C 29C 2AM 2AV 2BJ 2CJ 2DG 31U 32U 32F 33A 34C 35J 36G CAU CBU CCU CTO 91A 19A 19T 2FA 2FT 37M 37V 37D 38A 38T 21A 14T 96U 96F 97U 97F 1AU 1AF 2GU 2GF 3AU 3AF 3BM 3BV 3BD 3CU 3DU 3DF 3EA 3GA 3GT 3HC 3JJ 3KG 3LU 3LF)	25P4726

	Machine Type 6823	
	Power brick - US, CE, CF, LA, Taiwan (models 91U 91G 92U 11U 12U 21U 22U 23U 24U 31U 32U CAU CBU CCU CTO 92F 23F 24F 25S 25P 96U 96F 97U 97F 1AU 1AF 2GU 2GF 3AU 3AF 1BA 1CA 42U 42F 42G 43S 43H 43Y 44A 3CU 3DU 3DF 3KG 3LU 3LF)	10K2587
	Power brick - Taiwan (models 37V 3BV)	03R0338
	Power brick - Euro (non UK) Subbed from 10K2591) (models 91G 13G 18G 2DG 36G CTO 3KG)	25P5704
	Power brick - Hong Kong (newer China 2 prong version), China (models 94M 16M 2AM CTO 37M 37D 28C 29C 34C 3BM 3BD)	10K2597
	Power brick - Hong Kong (old British 3 prong version) (models 94M 16M 2AM CTO 37M 37D 28C 29C 34C 3BM 3BD)	25P5703
	Power brick - UK (Northern Ireland, Wales, GB, Scotland, England) (models 91G 13G 18G 2DG 36G CTO 3KG)	25P5703
	Power brick - Japan (models 17J 2BJ 2CJ 35J CTO 41J 3JJ)	10K2593
	Power brick - Australia, New Zealand (models 33A 14A 93A 27A CTO 91A 19A 19T 2FA 2FT 38A 38T 21A 14T 3EA 3GA 3GT)	25P5705
	Power brick - Brazil (models 25P CTO)	10K2789

	Power Cords - Machine Type 6823	
	Line Cord (all models)	6952301
	Line Cord (all models)	13F9939
	Line Cord (all models)	13F9978
	Line Cord (all models)	14F0032
	Line Cord (all models)	13F9996
	Line Cord (all models)	14F0068
	Line Cord (all models)	36L8879
	Line Cord (all models)	1838576
	Line Cord (all models)	02K0545
	Line Cord (all models)	14F0086
	Line Cord (all models)	14F0014
	Line Cord (all models)	14F0050

	Recovery CDs Win XP Home - Machine Type 6823	
	US English (models 91U 11U 12U 21U 22U 92U 23U 24U 31U 32U 14T 19T 2ET 27T 2FT 38T 14A 19A 2EA 27A 2FA 38A 37D 91G 13G 18G 2DG 36G 96U 97U 1AU 2GU 3AU 1BA 1CA 42U 42G 44A 91A 93A 21A 33A)	33P1881
	French (models 92F 23F 24F 32F 91G 13G 18G 2DG 36G 96F 97F 1AF 2GF 3AF 42F 42G)	33P1890
	German (models 91G 13G 18G 2DG 36G 42G)	33P1893
	Italian (models 91G 13G 18G 2DG 36G 42G)	33P1899
	Brazilian Portugese (model 25P)	33P1905

Recovery CDs Win XP Home - Machine Type 6823		
	SPanish (model 25S 91G 13G 18G 2DG 36G 42G 43H 43Y 43S)	33P1908
	Danish (models 91G 13G 18G 2DG 36G 42G)	33P1911
	Netherlands (models 91G 13G 18G 2DG 36G 42G)	33P1914
	Arabic Enabled (models 91G 13G 18G 2DG 36G 42G)	33P1917
	Swedish (models 91G 13G 18G 2DG 36G 42G)	33P1920
	Hebrew (models 91G 13G 18G 2DG 36G 42G)	33P1923
	Finnish (models 91G 13G 18G 2DG 36G 42G)	33P1926
	Norwegian (models 91G 13G 18G 2DG 36G 42G)	33P1929
	Polish (models 91G 13G 18G 2DG 36G 42G)	33P1932
	Portuguese (models 91G 13G 18G 2DG 36G 42G)	33P1935
	Russian (models 91G 13G 18G 2DG 36G 42G)	33P1938
	Hungarian (models 91G 13G 18G 2DG 36G 42G)	33P1941
	Czechoslovakian (models 91G 13G 18G 2DG 36G 42G)	33P1947
	Turkish (models 91G 13G 18G 2DG 36G 42G)	33P1950
	Greek (models 91G 13G 18G 2DG 36G 42G)	33P1959
	Japanese (models 17J 2BJ 2CJ 35J 41J)	46P4028
	Simplified Chinese (models 15C 28C 29C 34C)	46P4024
	Traditional Chinese (models 94V 16V 2AV 37V)	46P4025
	HK Traditional Chinese (models 94M 16M 2AM 37M)	46P4026

Keyboards (RAK III, USB Black) - Machine Type 6823		
	US English (all models)	19K1910
	Arabic (all models)	19K1911
	Belgian/French (all models)	19K1912
	Belgian/UK (all models)	19K1913
	Bulgarian (all models)	19K1914
	Chinese/US (all models)	19K1915
	Czech (all models)	19K1916
	Danish (all models)	19K1917
	Dutch (all models)	19K1918
	French (all models)	19K1919
	French Canadian 058 (all models)	19K1920
	French Canadian 445 (all models)	19K1921
	German (all models)	19K1922
	Greek (all models)	19K1923
	Hebrew (all models)	19K1924
	Hungarian (all models)	19K1925
	Iceland (all models)	19K1926
	Italian (all models)	19K1927
	Japanese (all models)	19K1928

	Keyboards (RAK III, USB Black) - Machine Type 6823	
	Korean (all models)	19K1929
	LA Spanish (all models)	19K1930
	Norwegian (all models)	19K1931
	Polish (all models)	19K1932
	Portugese (all models)	19K1933
	Romanian (all models)	19K1934
	Russian (all models)	19K1935
	Russian/Cy (all models)	19K1936
	Serbian/Cyrillic (all models)	19K1937
	Slovak (all models)	19K1938
	Spanish (all models)	19K1939
	Swedish/Finn (all models)	19K1940
	Swiss F/G (all models)	19K1941
	Thailand (all models)	19K1942
	Turkish EURO Phase I (all models)	19K1943
	Turkish EURO Phase II (all models)	19K1944
	UK English (all models)	19K1945
	US International (all models)	19K1946
	Yugoslav/Latin (all models)	19K1947
	Brazil/Portugese (all models)	19K1948
	Japanese (all models)	19K1908

	Keyboard/Mouse Combo (Wireless Desktop kit, Black) - Machine Type 6823	
	US English (models 14A 27A 33A CTO 19A 2EA 2FA 38A 44A 3EA 3GA)	22P5183
	Arabic (model CTO)	22P7250
	Belgian/French (model CTO)	22P7251
	Belgian/UK (model CTO)	22P7252
	Brazil/Portugese (model CTO)	22P7253
	Bulgarian (model CTO)	22P7254
	Chinese/US (model CTO)	22P7255
	Czech (model CTO)	22P7256
	Danish (model CTO)	22P7257
	Dutch (model CTO)	22P7258
	French (model CTO)	22P7259
	French Canadian 058 (model CTO)	22P7260
	French Canadian 445 (model CTO)	22P7261
	German (model CTO)	22P7262
	Greek (model CTO)	22P7263
	Hebrew (model CTO)	22P7264

	Keyboard/Mouse Combo (Wireless Desktop kit, Black) - Machine Type 6823	
	Hungarian (model CTO)	22P7265
	Iceland (model CTO)	22P7266
	Italian (model CTO)	22P7267
	Japanese (model CTO)	22P7268
	Korean (model CTO)	N/A
	LA Spanish (model CTO)	22P7269
	Norwegian (model CTO)	22P7270
	Polish (model CTO)	22P7271
	Portugese (model CTO)	22P7272
	Romanian (model CTO)	22P7273
	Russian (model CTO)	22P7274
	Russian/Cy (model CTO)	22P7275
	Serbian/Cyrillic (model CTO)	22P7276
	Slovak (model CTO)	22P7277
	Spanish (model CTO)	22P7278
	Swedish/Finn (model CTO)	22P7279
	Swiss F/G (model CTO)	22P7280
	Thailand (models CTO 19T 2ET 2FT 38T 14T 3GT)	22P7281
	Turkish EURO Phase I (model CTO)	22P7282
	Turkish EURO Phase II (model CTO)	22P7283
	UK English (model CTO)	22P7284
	US International (model CTO)	22P7285
	Yugoslav/Latin (model CTO)	22P7286
	Japanese (model CTO)	N/A
	Wireless receiver (model CTO)	22P7287

	Machine Type 6825	
1	Side Cover Assembly (Raven Black) (all models)	25P0066
2	Chassis staked (all models)	25P0064
2	"L" Cover (Raven Black) (all models)	25P0065
3	Front Bezel Assembly (Raven Black) (all models)	25P0067
4	Trim Bezel Kit (all models)	49P1900
5	CD-ROM Drive 48X (Black) (models CAU CBU CCU CTO 23A 13G 71G 24A 73G 74G 75G 72G)	33P3203
5	CD-ROM Drive 48X (Black) (models CAU CBU CCU CTO 23A 13G 71G 24A 73G 74G 75G 72G)	33P3207
5	CD-ROM Drive 48X (Black) (models CAU CBU CCU CTO 23A 13G 71G 24A 73G 74G 75G 72G)	33P3215
5	CD-ROM Drive 48X (Black) (models CAU CBU CCU CTO 23A 13G 71G 24A 73G 74G 75G 72G)	33P3211
5	DVD-ROM 16X/48X Black (models CAU CBU CCU CTO)	33P3259

	Machine Type 6825	
5	CD/RW 16X/10X/40X Black (models 11U 12U 12F 12G 22U 22F 22G CAU CBU CCU CTO 24U 41G 42U 42F)	24P3627
5	CD/RW 16X/10X/40X Black (models 11U 12U 12F 12G 22U 22F 22G CAU CBU CCU CTO 24U 41G 42U 42F)	24P3631
5	CD/RW 48X/32X/48X Black (Universal) (models 11U 12U 12F 12G 22U 22F 22G CAU CBU CCU CTO 24U 41G 42U 42F)	26K5376
5	DVD-ROM/CD-RW Combo Black (models 21U 31U 31G CAU CBU CCU CTO 32U 32F)	33P3227
5	DVD RAM 9.4GB 2X/6X/24X Black (models CAU CBU CCU CTO)	24P3615
6	3.5-in. 1.44 M 2-mode Floppy Disk Drive (models 11U 12U 12F 12G 21U 22U 22F 22G 31U 31F CAU CBU CCU CTO 23A 24U 41G 42U 42F 13G 32U 32F CEU 71G 24A 73G 74G 75G 72G)	75H9550
6	3.5-in. 1.44 M 3-mode Floppy Disk Drive (models CTO)	19K1543
7	20GB Hard Drive Value EIDE ATA-100 (models 12U 12F 12G CAU CBU CCU CTO)	19K1560
7	40GB Hard Drive Value EIDE ATA-100 (models 11U 22U 22F 22G CAU CBU CCU CTO)	19K1562
7	60GB Hard Drive Value EIDE ATA-100 (models CAU CBU CCU CTO)	19K1581
7	80GB Hard Drive Value EIDE ATA-100 (models CAU CBU CCU CTO)	06P5237
7	20GB Hard Drive 7200rpm EIDE ATA-100 (models CAU CBU CCU CTO)	19K1565
7	40GB Hard Drive 7200rpm EIDE ATA-100 (model 21U CAU CBU CCU CTO 23A 24U 41G 13G 71G 24A 73G 74G 75G 72G)	19K1568
7	60GB Hard Drive 7200rpm EIDE ATA-100 (models CAU CBU CCU CTO)	19K1570
7	80GB Hard Drive 7200rpm EIDE ATA-100 (model 431U 31F CAU CBU CCU CTO 42U 42F 32U 32F)	24P3665
8	System Board W/O POV2 Card (all models 11U 12U 12F 12G 21U 22U 22F 22G 31U 31F CAU CBU CCU CTO 23A)	73P0546
8	System Board W/O POV2 Card (all models 24U 41G 42U 42F 13G 32U 32F CEU 71G 24A 73G 74G 75G 72G)	73P0544
9	64MB Memory 133MHz (models CTO)	10K0056
9	128MB Memory 133MHz (models 11U 12U 12F 12G 21U 22U 22F 22G 31U 31F CAU CBU CCU CTO 23A 13G 32U 32F CEU 71G 24A 73G 74G 75G 72G)	10K0058
9	256MB Memory 133MHz (models CTO 24U 41G 42U 42F)	10K0060
10	Fan Sink (1.9 - 2.2GHz) (all models)	32P4004
10	Retention Module Kit (all models)	24P4811
10	Processor - Intel P4 1.5GHz (models 71G CTO)	33P0961
10	Processor - Intel P4 1.6GHz (models 11U 12U 12F 12G CAU CTO 23A 13G 24A 74G 72G)	33P0963
10	Processor - Intel P4 1.7GHz (models 73G 75G)	49P0189

	Machine Type 6825	
10	Processor - Intel P4 1.8GHz (models 21U 22U 22F 22G CBU CTO 24U)	33P0965
10	Processor - Intel P4 2.0GHz (models 31U 31F CCU CTO)	25P6177
10	Processor - Intel P4 2.0GHz (models 32U 32F CEU)	73P0570
10	Processor - Intel P4 2.2GHz (model 41G 42U 42F)	73P0571
11	Power Supply 185W PFC (all models)	24P6883
	Bezel Blanks Kit (all models)	25P0068
	Front Bezel Release Arm (all models)	25P0069
	I/O Cards Retainer (all models)	59P8564
	DASD Rail Kit soft mount w/ clips (all models)	19K5331
	Floppy Disk Drive Cable (all models)	01K1513
	Audio Cable (models 11U 12U 12F 12G 21U 22U 22F 22G 31U 31F CAU CBU CCU CTO 71G 24A 73G 74G 75G 72G)	75H9219
	Dual USB Cable (all models)	22P1188
	Primary IDE Cable (all models)	37L4525
	Secondary IDE Cable (all models)	37L5098
	Speaker Assembly (soldered terminals) (all models)	00N5151
	5.25-in. EMC Shield (all models)	19K5548
	Hard Disk Drive Bracket Assembly (all models)	25P0072
	Power Supply Bracket (all models)	25P0073
	Rubber Foot (all models)	03K9655
	Control Panel Assembly (all models)	25P0074
	Miscellaneous Hardware Kit (all models)	09N5764
	Planar EMC Shield Kit (all models)	25P0078
	Power Panel Kit (all models)	25P0079
	Fan 80mm (all models)	22P4447
	Audio cable (front panel) (models 22U 23U B1U 34U 35U 1AU 51U 41U 41F 42U 42F 43U 36U 44U)	25P4974
	Mouse 2-button PS/2 (Black) (models 11U 12U 12F 12G 21U 22U 22F 22G 31U 31F CAU CBU CCU CTO 23A 24U 41G 42U 42F 13G 32U 32F CEU 71G 24A 73G 74G 75G 72G)	10L6149
	Mouse 2-button PS/2 (White) (models CTO)	10L6145
	Battery, 3.0V (all models)	33F8354
	Cable, 1394 6-pin (models B1U 35U 1AU 51U 41U 41F 42U 42F 43U 36U)	25P0084
	nVidia Vanta-16MB-4XAGP (models 11U 12U 12F 12G 22U 22F 22G CAU CBU CCU CTO 23A 41G 13G CEU 71G 24A 73G 74G 75G 72G)	25P4058
	nVidia GeForce2 MX-VGA only (ATX) (models 21U 31U 31F CTO 24U 42U 42F 32U 32F)	25P5848
	nVidia GeForce2 MX-VGA/DVI/TVout (ATX) (models CTO)	22P1069
	64MB nVidia GeForce2 GTS Pro (ATX) (models CTO)	22P1390

	Machine Type 6825	
	56k V.90 data/fax PCI Modem (US) (ATX) (models CTO 23A 42U 42F)	19K2965
	56k V.90 data/fax PCI Modem (WT) (ATX) (models CTO)	19K2963
	1394 Firewire PCI-LP (ATX) (models CTO)	22P6849
	PCMCIA/IEEE - 1394 Combo PCI-LP (models CTO)	32P4742
	Jazz Infinity, 2-pc active, Tier 1 - black (models CTO)	25P4726
	Power brick - US, CE, CF, LA, Taiwan (models CTO)	10K2587
	Power brick - Euro (non UK) (models CTO)	10K2591
	Power brick - Hong Kong (newer China 2 prong version), China (models CTO)	10K2597
	Power brick - Hong Kong (old British 3 prong version) (models CTO)	25P5703
	Power brick - UK (Northern Ireland, Wales, GB, Scotland, England) (models CTO)	25P5703
	Power brick - Japan (models CTO)	10K2593
	Power brick - Australia, New Zealand (models CTO)	25P5705
	Power brick - Brazil (models CTO)	10K2789

	Recovery CDs Win 2000 - Machine Type 6825	
	US (model 21U)	59P1181
	UK (models 71G 72G)	59P1187
	FR (models 71G 72G)	59P1190
	GR (models 71G 72G)	59P1193
	IT (models 71G 72G)	59P1202
	SP (models 71G 72G)	59P1208
	DK (models 71G 72G)	59P1220
	NL (models 71G 72G)	59P1211
	AE (models 71G 72G)	59P1196
	SV (models 71G 72G)	59P1229
	HE (models 71G 72G)	59P1232
	FI (models 71G 72G)	59P1223
	NO (models 71G 72G)	59P1226
	PL (models 71G 72G)	59P1238
	PO (models 71G 72G)	59P1217
	RU (models 71G 72G)	59P1244
	HU (models 71G 72G)	59P1247
	CZ (models 71G 72G)	59P1241
	TR (models 71G 72G)	59P1250
	GK (models 71G 72G)	59P1214

	Recovery CDs Win XP Home - Machine Type 6825	
	US XP-H Recovery CD (models 11U 12U 22U 12G 22G)	33P1881

Recovery CDs Win XP Home - Machine Type 6825		
	FR XP-H Recovery CD (models 12F 12G 22F 22G)	33P1890
	GR XP-H Recovery CD (models 12G 22G)	33P1893
	IT XP-H Recovery CD (models 12G 22G)	33P1899
	SP XP-H Recovery CD (models 12G 22G)	33P1908
	DK XP-H Recovery CD (models 12G 22G)	33P1911
	NL XP-H Recovery CD (models 12G 22G)	33P1914
	AE XP-H Recovery CD (models 12G 22G)	33P1917
	SV XP-H Recovery CD (models 12G 22G)	33P1920
	HE XP-H Recovery CD (models 12G 22G)	33P1923
	FI XP-H Recovery CD (models 12G 22G)	33P1926
	NO XP-H Recovery CD (models 12G 22G)	33P1929
	PL XP-H Recovery CD (models 12G 22G)	33P1932
	PO XP-H Recovery CD (models 12G 22G)	33P1935
	RU XP-H Recovery CD (models 12G 22G)	33P1938
	HU XP-H Recovery CD (models 12G 22G)	33P1941
	SL XP-H Recovery CD (models 12G 22G)	33P1944
	CZ XP-H Recovery CD (models 12G 22G)	33P1947
	TR XP-H Recovery CD (models 12G 22G)	33P1950
	SK XP-H Recovery CD (models 12G 22G)	33P1953
	GK XP-H Recovery CD (models 12G 22G)	33P1959

Recovery CDs Win XP Pro - Machine Type 6825		
	US XP-P Recovery CD (models 31U 23A 24U 42U 42F 13G 24A 73G 74G 75G)	33P1962
	FR XP-P Recovery CD (models 31F 13G 32F 41G 73G 74G 75G)	33P1971
	GR XP-P Recovery CD (models 13G 41G 73G 74G 75G)	33P1974
	IT XP-P Recovery CD (models 13G 41G 73G 74G 75G)	33P1980
	SP XP-P Recovery CD (models 13G 41G 73G 74G 75G)	33P1989
	DK XP-P Recovery CD (models 13G 41G 73G 74G 75G)	33P1992
	NL XP-P Recovery CD (models 13G 41G 73G 74G 75G)	33P1995
	AE XP-P Recovery CD (models 13G 41G 73G 74G 75G)	33P1998
	SV XP-P Recovery CD (models 13G 41G 73G 74G 75G)	33P2001
	HE XP-P Recovery CD (models 13G 41G 73G 74G 75G)	33P2004
	FI XP-P Recovery CD (models 13G 41G 73G 74G 75G)	33P2007
	NO XP-P Recovery CD (models 13G 41G 73G 74G 75G)	33P2010
	PL XP-P Recovery CD (models 13G 41G 73G 74G 75G)	33P2013
	PO XP-P Recovery CD (models 13G 41G 73G 74G 75G)	33P2016
	RU XP-P Recovery CD (models 13G 41G 73G 74G 75G)	33P2019
	HU XP-P Recovery CD (models 13G 41G 73G 74G 75G)	33P2022
	SL XP-P Recovery CD (models 13G 41G 73G 74G 75G)	33P2025

Recovery CDs Win XP Pro - Machine Type 6825		
	CZ XP-P Recovery CD (models 13G 41G 73G 74G 75G)	33P2028
	TR XP-P Recovery CD (models 13G 41G 73G 74G 75G)	33P2031
	SK XP-P Recovery CD (models 13G 41G 73G 74G 75G)	33P2034
	GK XP-P Recovery CD (models 13G 41G 73G 74G 75G)	33P2040

Keyboards (Standard PS/2 Black) - Machine Type 6825		
	US English (models 11U 12U 21U 22U 31U CAU CBU CCU CTO 23A 24U 42U 32U CEU 24A 73G 74G 75G 12G 22G 41G 13G 71G 72G)	32P5000
	Arabic (models 12G 22G CTO 41G 13G 71G 73G 74G 75G 72G)	32P5001
	Belgian/French (models 12G 22G CTO 41G 13G 71G 73G 74G 75G 72G)	32P5002
	Belgian/UK (models 12G 22G CTO 41G 13G 71G 73G 74G 75G 72G)	32P5003
	Bulgarian (models 12G 22G CTO 41G 13G 71G 73G 74G 75G 72G)	32P5004
	Chinese/US (models 12G 22G CTO 41G 13G 71G 73G 74G 75G 72G)	32P5005
	Czech (models 12G 22G CTO 41G 13G 71G 73G 74G 75G 72G)	32P5006
	Danish (models 12G 22G CTO 41G 13G 71G 73G 74G 75G 72G)	32P5007
	Dutch (models 12G 22G CTO 41G 13G 71G 73G 74G 75G 72G)	32P5008
	French (models 12G 22G CTO 41G 13G 71G 73G 74G 75G 72G)	32P5009
	French Canadian 058 (models 12F 22F 31F CTO 32F)	32P5010
	French Canadian 445 (models 12F 22F 31F CTO 32F)	32P5011
	German (models 12G 22G CTO 41G 13G 71G 73G 74G 75G 72G)	32P5012
	Greek (models 12G 22G CTO 41G 13G 71G 73G 74G 75G 72G)	32P5013
	Hebrew (models 12G 22G CTO 41G 13G 71G 73G 74G 75G 72G)	32P5014
	Hungarian (models 12G 22G CTO 41G 13G 71G 73G 74G 75G 72G)	32P5015
	Iceland (models 12G 22G CTO 41G 13G 71G 73G 74G 75G 72G)	32P5016
	Italian (models 12G 22G CTO 41G 13G 71G 73G 74G 75G 72G)	32P5017
	Norwegian (models 12G 22G CTO 41G 13G 71G 73G 74G 75G 72G)	32P5021
	Polish (models 12G 22G CTO 41G 13G 71G 73G 74G 75G 72G)	32P5022
	Portugese (models 12G 22G CTO 41G 13G 71G 73G 74G 75G 72G)	32P5023

	Keyboards (Standard PS/2 Black) - Machine Type 6825	
	Romanian (models 12G 22G CTO 41G 13G 71G 73G 74G 75G 72G)	32P5024
	Russian (models 12G 22G CTO 41G 13G 71G 73G 74G 75G 72G)	32P5025
	Russian/Cy (models 12G 22G CTO 41G 13G 71G 73G 74G 75G 72G)	32P5026
	Serbian/Cyrillic (models 12G 22G CTO 41G 13G 71G 73G 74G 75G 72G)	32P5027
	Slovak (models 12G 22G CTO 41G 13G 71G 73G 74G 75G 72G)	32P5028
	Spanish (models 12G 22G CTO 41G 13G 71G 73G 74G 75G 72G)	32P5029
	Swedish/Finn (models 12G 22G CTO 41G 13G 71G 73G 74G 75G 72G)	32P5030
	Swiss F/G (models 12G 22G CTO 41G 13G 71G 73G 74G 75G 72G)	32P5031
	Thailand (models 12G 22G CTO 41G 13G 71G 73G 74G 75G 72G)	32P5032
	Turkish EURO Phase I (models 12G 22G CTO 41G 13G 71G 73G 74G 75G 72G)	32P5033
	Turkish EURO Phase II (models 12G 22G CTO 41G 13G 71G 73G 74G 75G 72G)	32P5034
	UK English (models 12G 22G CTO 41G 13G 71G 73G 74G 75G 72G)	32P5035
	US International (models 12G 22G CTO 41G 13G 71G 73G 74G 75G 72G)	32P5036
	Yugoslav/Latin (models 12G 22G CTO 41G 13G 71G 73G 74G 75G 72G)	32P5037

	Power Cords - Type 6825	
	Line Cord (all models)	6952301
	Line Cord (all models)	13F9939
	Line Cord (all models)	13F9978
	Line Cord (all models)	14F0032
	Line Cord (all models)	13F9996
	Line Cord (all models)	14F0068
	Line Cord (all models)	36L8879
	Line Cord (all models)	1838576
	Line Cord (all models)	02K0545
	Line Cord (all models)	14F0086
	Line Cord (all models)	14F0014
	Line Cord (all models)	14F0050

Chapter 9. Additional service information

Security features

Security features in this section include the following:

- Passwords
- Vital Product Data
- Management Information Format (MIF)
- Alert on LAN

Passwords

The following section provides information about computer hardware and software-related passwords.

- Power-on Password
- Administrator Password
- Operating System Password

Power-on and Administrator passwords are set in the Setup Utility program. See “Setup Utility program” on page 14 for information about running the Setup Utility.

Power-on password

A power-on password denies access to the computer by an unauthorized user when the computer is powered on. When a power-on password is active, the password prompt appears on the screen each time the computer is powered on. The computer starts after the proper password is entered.

Removing a power-on password

To service a computer with an active and unknown power-on password, power-off the computer and use the following procedure.

Note: On some models, this procedure will also remove the administrator password.
--

1. Unplug the power cord and remove the top cover.
2. Refer to “Identifying parts on the system board” on page 28 to find the Virtual clear CMOS/BIOS recovery jumper.
3. Move the recovery jumper from **normal** to **ROM recovery**.
4. Power-on the computer. The system senses the change in the position and erases the password.
5. Wait 30 seconds for beeps to sound, and then power down by holding the power button for 10 seconds.
6. Return the jumper to normal position.
7. Reset the date and time and remind the user to enter a new password when service is complete.

Administrator password

The administrator password is used to restrict access to the Configuration/Setup Utility program. If the administrator password is activated, and you do not enter the administrator password, the configuration can be viewed but not changed.

Note:

Type 6029 computers have Enhanced Security Mode. If Enhanced Security mode is enabled and there is no password given, the computer will act as if Enhanced Security is disabled.

If Enhanced Security is Enabled and an administrator password is given, the administrator password must be entered to use the computer. If the administrator password is lost or forgotten, the system board in the computer must be replaced in order to regain access to the Configuration/Setup Utility program.

Administrator password control

The Administrator password is set in the Setup Configuration. Refer to "Setup Utility program" on page 14.

Operating system password

An operating system password is very similar to a power-on password and denies access to the computer by an unauthorized user when the password is activated. The computer is unusable until the password is entered and recognized by the computer.

Vital product data

Each computer has a unique Vital Product Data (VPD) code stored in the nonvolatile memory on the system board. After you replace the system board, the VPD must be updated. To update the VPD, see "Flash update procedures" on page 181.

Management Information Format (MIF)

Management Information Format (MIF) is a file used to maintain a list of the system unit serial number along with all serialized components (for example, system board, riser card, memory, and processor).

At the time of computer manufacture, the EPROM will be loaded with the serial numbers of the system and all major components.

A company called Retain-a-Group is a central data warehouse offering serial number data management. Retain-a-Group acts as a focal point to law enforcement. The customer has the option to purchase serial number information and services from Retain-a-Group. It is the customer's responsibility to maintain the MIF file and to inform Retain-a-Group of any changes to the file.

Some customers may request their servicers to assist them in maintaining the MIF file when serialized components are replaced during hardware service. This assistance is between the customer and the servicer. The servicer can use the DMI MIF Browser to update the MIF information in the EPROM. It is anticipated that some servicers might charge for this service.

To update the EPROM using the DMI MIF Browser, use the following procedure.

1. Click **Start** from the desktop, then **Programs**.
2. Select **IBM SystemView Agent**
3. Select the **Serial Number Information** icon
4. Click the plus sign to expand.
5. Select the component you want to view or edit.
6. Double click on the component you want to change.

7. Enter new data in the *Value* field, then click **Apply**.

Alert on LAN

Alert on LAN provides notification of changes in the computer, even when the computer power is turned off. Working with DMI and Wake on LAN[®] technologies, Alert on LAN helps to manage and monitor the hardware and software features of the computer. Alert on LAN generates notifications to the server of these occurrences:

- Computer disconnected from the network
- Computer unplugged from the power outlet
- All POST errors
- Operating system or POST hang condition

Alert on LAN events are configured to be Enabled or Disabled from the LAN server only, and not from the computer. See the LAN administrator for configuration status information.

BIOS levels

An incorrect level of BIOS can cause false errors and unnecessary FRU replacement. Use the following information to determine the current level of BIOS installed in the computer, the latest BIOS available for the computer, and where to obtain the latest level of BIOS.

- Current Level BIOS information
 - Run the Configuration Utility to determine the level of BIOS installed.
- Sources for determining the latest level BIOS available
 1. IBM Home Page
<http://www.ibm.com/pc/us/>
 2. PC PartnerInfo-Technical Database (CTSTIPS.NSF)
 3. HelpCenter[®]
 4. Levels 1 and 2 Support
 5. RETAIN[®]
- Sources for obtaining the latest level BIOS available
 1. IBM Home Page
<http://www.ibm.com/pc/us/>
 2. PC PartnerInfo-Technical Database (CTSTIPS.NSF)
 3. HelpCenter
 4. Levels 1 and 2 Support

To update (flash) the BIOS, see “Flash update procedures.”

Flash update procedures

This section details how to flash (update) the BIOS.

Flash from Operating System (WinPhlash)

Attention:

Refer to the information label located inside the system unit cover for any model-specific information.

1. Click the file link to download the file (24jyNNusa.exe) from the web page.
2. When prompted, select a drive and directory in which to save the downloaded file.
3. Click Start, select Find or Search, then click Files and Folders.
4. Type 24jyNNusa.exe in the search field, then click Find Now. This will locate the 24jyNNusa.exe file you just downloaded.
5. Double-click the 24jyNNusa.exe icon.
6. Click Next. Read the license agreement.
7. Click I Agree. The installation folder should be C:\IBMTOOLS\FLASH\24JYnnUS.
8. Click Finish. You will be prompted with a message stating "The specified output folder does not exist. Create it?"
9. Click Yes. You will be prompted with a message stating "The package has been delivered successfully."
10. Click OK.
11. Close all open applications.
12. Click Start, then click Run.
13. Type C:\IBMTOOLS\FLASH\24JYnnUS\WINPHLASH.EXE.
14. Click OK.
15. Select Backup BIOS and Flash BIOS with new settings.
16. Click Flash BIOS. You will be told to save your work and close all other applications.
17. Click OK. The system will automatically shutdown and restart so that the changes will take effect.

Flash from CD-ROM ISO image

Attention:

Refer to the information label located inside the system unit cover for any model-specific information.

1. Click the file link to download the file (24jyNNusa.exe) from the web page.
2. When prompted, select a drive and directory in which to save the downloaded file.
3. Click Start, select Find or Search, then click Files and Folders.
4. Type 24jyNNusa.exe in the search field, then click Find Now. This will locate the 24jyNNusa.exe file you just downloaded.
5. Double-click the 24jyNNusa.exe icon.
6. Click Next. Read the license agreement.
7. Click I Agree. The installation folder should be C:\IBMTOOLS\FLASH\24JYnnUS.

8. Click Finish. You will be prompted with a message stating "The specified output folder does not exist. Create it?"
9. Click Yes. You will be prompted with a message stating "The package has been delivered successfully."
10. Click OK.
11. Use your CD-R software's feature for creating a CD from an ISO image; Adaptec Easy CD Creator calls this feature Create CD from CD image. Refer to the help provided with your CD-R software for further assistance.
12. Create a CD from the CD ISO image located in your C:\IBMTOOLS\FLASH\24JZnnUS folder. The filename of the ISO image is 24J9nnA.ISO.
13. Close all open applications.
14. Insert the bootable CD into your CD-ROM drive.
15. Shutdown the computer.
16. With the CD still inserted in the CD-ROM drive, power on the system.
17. When you are prompted to select a country, press the number on your keyboard which corresponds to the country in which you are using the computer. For example, press 1 for the United States.
18. Press Enter. You will be asked if you wish to update the serial number of your machine.
19. Press N. You will be asked if you wish to update the machine type/model number of your machine.
20. Press N. The Phoenix Phlash16 utility will appear onscreen.
21. Wait until you see a message stating "Phoenix Phlash16 Status: Flash memory has been successfully programmed, PRESS KEY TO RESTART THE SYSTEM. If the system does not restart TURN THE POWER OFF, THEN ON"
22. Remove the CD from the CD-ROM drive.
23. Press Enter.

Note: If your system boots back to a 1962 POST error or displays a picture of a diskette on the screen, enter the Setup utility by pressing F1 during startup and change the Startup options to include the hard disk drive.

Flash recovery boot block jumper

Attention:

If an interruption occurs during a Flash/BIOS upgrade, the BIOS might be left in an unusable state. The Boot Block jumper enables you to restart the system and recover the BIOS. During this process, machine type and serial number data stored in the BIOS is lost, so a normal flash update has to be done after a boot block recovery process to re-enter this information to the system BIOS. Please, notice that there will be some variations on the Flash/BIOS update process done after a boot block recovery process has been performed.

To perform a Flash/BIOS recovery using the recovery jumper, use the following procedure.

1. Power-off the computer and remove the cover.
2. Move the system board Virtual clear CMOS/BIOS recovery jumper to the **ROM recovery** position. Refer to "Identifying parts on the system board" on page 28 or the label inside the computer for more information.

3. Insert the upgrade diskette into the diskette drive.
4. Power-on the computer.
5. At power up, the system will make a beep sound and will show no video, as it starts reading from the floppy disk.
6. The system will continue making a series of beep sounds followed by a few seconds of silence. The whole process should last for a few minutes.
7. When the boot block recovery process is finished, the system will make a final long-lasting beep sound.
8. Remove the floppy disk, power off the computer (keeping power button pressed for around 5 seconds), move the recovery jumper back to the normal position and replace the cover.
9. Perform a Flash/BIOS update to re-enter machine type and serial number data using the procedure provided below:

Flash/BIOS Update process to follow after performing a boot block recovery process:

1. After replacing the cover, insert the upgrade floppy disk into the disk drive and turn on the computer. The IBM Logo will appear.
2. When the Flash Update Utility appears, select the country/keyboard, then press enter.
3. Since the serial number data has been deleted, you will be prompted to enter it. Press Y to update the data.
4. Type the 7-digit Serial Number of the computer and press enter.
5. You will also be prompted to update the Machine Type information of your system. Follow the onscreen instructions to do so.
6. After Serial Number and Machine Type information has been entered, the BIOS will be updated.
7. During the update process, the following message will pop up: "BIOS ROM file is older than (or same as) BIOS ROM Image. Continue anyway? (Y/N)" Press Y to continue.
8. When finished, remove the floppy disk and re-start the system.
9. When re-starting, the system will prompt a message indicating that an unauthorized CMOS change was detected. Press F1 to go to Setup.
10. Once in the setup utility, go to the EXIT tab and select the option Save and Exit the Setup utility.
11. A Setup confirmation window pops up. Press Y continue.

Power management

Power management reduces the power consumption of certain components of the computer such as the system power supply, processor, hard disk drives, and some monitors. Advanced Power Management and Rapid Resume™ Manager are features of some personal computers.

Automatic configuration and power interface (ACPI) BIOS

Being an ACPI BIOS system, the operating system is allowed to control the power management features of the computer and the setting for Advanced Power Management (APM) BIOS mode are ignored. Not all operating systems support ACPI BIOS mode.

Advanced Power Management

Energy-saving settings can be viewed and changed by using the Advanced Power Management menu in the Configuration/Setup Utility program.

Attention:

If a device, such as a monitor, does not have power-management capabilities, it can be damaged when exposed to a reduced-power state. Before making energy-saving selections for the monitor, check the documentation supplied with the monitor to see if it supports Display Power Management Signaling (DPMS).

Automatic Hardware Power Management features

Automatic Hardware Power Management can reduce the power states of the computer, processor, and monitor (if the monitor supports DPMS) if they are inactive for a predetermined length of time.

Set the time for the system to enter a low-power state.

You can define the amount of energy savings by specifying values for the following options.

- **System Power**

- Select **On** for the computer to remain on.
- Select **Off** for the computer to shut down.

- **Display**

Set display to be disabled or to be reduced at these power states:

- **Standby:** Screen is blank, but can be restored immediately when any activity is detected.
- **Suspend:** Monitor uses less power than in Standby mode. Screen image is restored after a few seconds when any activity is detected.
- **Off:** Monitor power is off. Press Monitor power button to restore power. On some monitors, you might have to depress the power button twice.

Setting Automatic Hardware Power Management features

1. Start the Configuration/Setup Utility program (see “Setup Utility program” on page 14).
2. Select **Power Management** from the Configuration/Setup Utility program menu.

3. Select **APM BIOS Mode** within the APM sub menu and be sure it is set to **Enabled**. If it is not, press Left Arrow (←) or Right Arrow (→) to change the setting.
4. Select **Automatic Hardware Power Management**.
5. Set **Automatic Hardware Power Management** to **Enabled**.
6. Select values for the three categories of power management (system power, processor speed, and display), as necessary.
7. Set **Hard Disk** to **Enabled** or **Disabled**.

Note: This does not apply to SCSI drives.

8. Press **Esc** twice to return to the Configuration/Setup Utility program menu.
9. Before you exit from the program, select **Save Settings** from the Configuration/Setup Utility program menu.
10. To exit from the Configuration/Setup Utility program, press **Esc** and follow the instructions on the screen.

Automatic Power-On features

The Automatic Power-On features within the Power Management menu allow you to enable and disable features that turn on the computer automatically.

- **Serial Port A Ring Detect:** With this feature set to **Enabled** and an external modem connected to serial port (COM1), the computer will turn on automatically when a ring is detected on the modem.
- **PCI Modem Ring Detect:** With this feature set to **Enabled**, the computer will turn on automatically when a ring is detected on the internal modem.
- **PCI Wake Up:** This feature allow PCI cards that support this capability to wake the system.
- **Wake Up on Alarm:** You can specify a date and time at which the computer will be turned on automatically. This can be either a single event or a daily event.
- **Wake on LAN:** If the computer has a properly configured token-ring or Ethernet LAN adapter card that is Wake on LAN-enabled and there is remote network management software, you can use the IBM-developed Wake on LAN feature. When you set Wake on LAN to **Enabled**, the computer will turn on when it receives a specific signal from another computer on the local area network (LAN).

Chapter 10. Related service information

Note: The service procedures are designed to help you isolate problems. They are written with the assumption that you have model-specific training on all computers, or that are familiar with the computers, functions, terminology, and service information provided in this manual.

Safety information

The following section contains the safety information that you need to be familiar with before servicing an IBM computer.

General safety

Follow these rules to ensure general safety:

- Observe good housekeeping in the area of the machines during and after maintenance.
- When lifting any heavy object:
 1. Ensure you can stand safely without slipping.
 2. Distribute the weight of the object equally between your feet.
 3. Use a slow lifting force. Never move suddenly or twist when you attempt to lift.
 4. Lift by standing or by pushing up with your leg muscles; this action removes the strain from the muscles in your back. *Do not attempt to lift any objects that weigh more than 16 kg (35 lb) or objects that you think are too heavy for you.*
- Do not perform any action that causes hazards to the customer, or that makes the equipment unsafe.
- Before you start the machine, ensure that other service representatives and the customer's personnel are not in a hazardous position.
- Place removed covers and other parts in a safe place, away from all personnel, while you are servicing the machine.
- Keep your tool case away from walk areas so that other people will not trip over it.
- Do not wear loose clothing that can be trapped in the moving parts of a machine. Ensure that your sleeves are fastened or rolled up above your elbows. If your hair is long, fasten it.
- Insert the ends of your necktie or scarf inside clothing or fasten it with a nonconductive clip, approximately 8 centimeters (3 inches) from the end.
- Do not wear jewelry, chains, metal-frame eyeglasses, or metal fasteners for your clothing.

Remember: Metal objects are good electrical conductors.
- Wear safety glasses when you are: hammering, drilling soldering, cutting wire, attaching springs, using solvents, or working in any other conditions that might be hazardous to your eyes.
- After service, reinstall all safety shields, guards, labels, and ground wires. Replace any safety device that is worn or defective.
- Reinstall all covers correctly before returning the machine to the customer.

Electrical safety



CAUTION:

Electrical current from power, telephone, and communication cables can be hazardous. To avoid personal injury or equipment damage, disconnect the attached power cords, telecommunication systems, networks, and modems before you open the server/workstation covers, unless instructed otherwise in the installation and configuration procedures.

Observe the following rules when working on electrical equipment.

Important: Use only approved tools and test equipment. Some hand tools have handles covered with a soft material that does not insulate you when working with live electrical currents.

Many customers have, near their equipment, rubber floor mats that contain small conductive fibers to decrease electrostatic discharges. Do not use this type of mat to protect yourself from electrical shock.

- Find the room emergency power-off (EPO) switch, disconnecting switch, or electrical outlet. If an electrical accident occurs, you can then operate the switch or unplug the power cord quickly.
- Do not work alone under hazardous conditions or near equipment that has hazardous voltages.
- Disconnect all power before:
 - Performing a mechanical inspection
 - Working near power supplies
 - Removing or installing main units
- Before you start to work on the machine, unplug the power cord. If you cannot unplug it, ask the customer to power-off the wall box that supplies power to the machine and to lock the wall box in the off position.
- If you need to work on a machine that has exposed electrical circuits, observe the following precautions:
 - Ensure that another person, familiar with the power-off controls, is near you.
Remember: Another person must be there to switch off the power, if necessary.
 - Use only one hand when working with powered-on electrical equipment; keep the other hand in your pocket or behind your back.
Remember: There must be a complete circuit to cause electrical shock. By observing the above rule, you may prevent a current from passing through your body.
 - When using testers, set the controls correctly and use the approved probe leads and accessories for that tester.
 - Stand on suitable rubber mats (obtained locally, if necessary) to insulate you from grounds such as metal floor strips and machine frames.

Observe the special safety precautions when you work with very high voltages; these instructions are in the safety sections of maintenance information. Use extreme care when measuring high voltages.

- Regularly inspect and maintain your electrical hand tools for safe operational condition.
- Do not use worn or broken tools and testers.
- *Never assume* that power has been disconnected from a circuit. First, *check* that it has been powered-off.
- Always look carefully for possible hazards in your work area. Examples of these hazards are moist floors, nongrounded power extension cables, power surges, and missing safety grounds.
- Do not touch live electrical circuits with the reflective surface of a plastic dental mirror. The surface is conductive; such touching can cause personal injury and machine damage.
- Do not service the following parts with the power on when they are removed from their normal operating places in a machine:
 - Power supply units
 - Pumps
 - Blowers and fans
 - Motor generators
 and similar units. (This practice ensures correct grounding of the units.)
- If an electrical accident occurs:
 - Use caution; do not become a victim yourself.
 - Switch off power.
 - Send another person to get medical aid.

Safety inspection guide

The intent of this inspection guide is to assist you in identifying potentially unsafe conditions on these products. Each machine, as it was designed and built, had required safety items installed to protect users and service personnel from injury. This guide addresses only those items. However, good judgment should be used to identify potential safety hazards due to attachment of non-IBM features or options not covered by this inspection guide.

If any unsafe conditions are present, you must determine how serious the apparent hazard could be and whether you can continue without first correcting the problem.

Consider these conditions and the safety hazards they present:

- Electrical hazards, especially primary power (primary voltage on the frame can cause serious or fatal electrical shock).
- Explosive hazards, such as a damaged CRT face or bulging capacitor
- Mechanical hazards, such as loose or missing hardware

The guide consists of a series of steps presented in a checklist. Begin the checks with the power off, and the power cord disconnected.

Checklist:

1. Check exterior covers for damage (loose, broken, or sharp edges).
2. Power-off the computer. Disconnect the power cord.
3. Check the power cord for:

- a. A third-wire ground connector in good condition. Use a meter to measure third-wire ground continuity for 0.1 ohm or less between the external ground pin and frame ground.
 - b. The power cord should be the appropriate type as specified in the parts listings.
 - c. Insulation must not be frayed or worn.
4. Remove the cover.
 5. Check for any obvious non-IBM alterations. Use good judgment as to the safety of any non-IBM alterations.
 6. Check inside the unit for any obvious unsafe conditions, such as metal filings, contamination, water or other liquids, or signs of fire or smoke damage.
 7. Check for worn, frayed, or pinched cables.
 8. Check that the power-supply cover fasteners (screws or rivets) have not been removed or tampered with.

Handling electrostatic discharge-sensitive devices

Any computer part containing transistors or integrated circuits (ICs) should be considered sensitive to electrostatic discharge (ESD). ESD damage can occur when there is a difference in charge between objects. Protect against ESD damage by equalizing the charge so that the machine, the part, the work mat, and the person handling the part are all at the same charge.

Notes:

1. Use product-specific ESD procedures when they exceed the requirements noted here.
2. Make sure that the ESD protective devices you use have been certified (ISO 9000) as fully effective.

When handling ESD-sensitive parts:

- Keep the parts in protective packages until they are inserted into the product.
- Avoid contact with other people.
- Wear a grounded wrist strap against your skin to eliminate static on your body.
- Prevent the part from touching your clothing. Most clothing is insulative and retains a charge even when you are wearing a wrist strap.
- Use the black side of a grounded work mat to provide a static-free work surface. The mat is especially useful when handling ESD-sensitive devices.
- Select a grounding system, such as those listed below, to provide protection that meets the specific service requirement.

Note: The use of a grounding system is desirable but not required to protect against ESD damage.

- Attach the ESD ground clip to any frame ground, ground braid, or green-wire ground.
- Use an ESD common ground or reference point when working on a double-insulated or battery-operated system. You can use coax or connector-outside shells on these systems.
- Use the round ground-prong of the ac plug on ac-operated computers.

Grounding requirements

Electrical grounding of the computer is required for operator safety and correct system function. Proper grounding of the electrical outlet can be verified by a certified electrician.

Safety notices (multi-lingual translations)

The caution and danger safety notices in this section are provided in the following languages:

- English
- Brazilian/Portuguese
- Chinese
- French
- German
- Italian
- Korean
- Spanish



DANGER

Electrical current from power, telephone and communication cables is hazardous.

To avoid a shock hazard:

- **Do not connect or disconnect any cables or perform installation, maintenance, or reconfiguration of this product during an electrical storm.**
- **Connect all power cords to a properly wired and grounded electrical outlet.**
- **Connect to properly wired outlets any equipment that will be attached to this product.**
- **When possible, use one hand only to connect or disconnect signal cables.**
- **Never turn on any equipment when there is evidence of fire, water, or structural damage.**
- **Disconnect the attached power cords, telecommunications systems, networks, and modems before you open the device covers, unless instructed otherwise in the installation and configuration procedures.**
- **Connect and disconnect cables as described in the following table when installing, moving, or opening covers on this product or attached devices.**

To Connect	To Disconnect
<ol style="list-style-type: none">1. Turn everything OFF.2. First, attach all cables to devices.3. Attach signal cables to connectors.4. Attach power cords to outlet.5. Turn device ON.	<ol style="list-style-type: none">1. Turn everything OFF.2. First, remove power cords from outlet.3. Remove signal cables from connectors.4. Remove all cables from devices.



CAUTION:

When replacing the lithium battery, use only IBM Part Number 33F8354 or an equivalent type battery recommended by the manufacturer. If your system has a module containing a lithium battery, replace it only with the same module type made by the same manufacturer. The battery contains lithium and can explode if not properly used, handled, or disposed of.

Do not:

- Throw or immerse into water
- Heat to more than 100°C (212°F)
- Repair or disassemble

Dispose of the battery as required by local ordinances or regulations.



CAUTION:

When laser products (such as CD-ROMs, DVD-ROM drives, fiber optic devices, or transmitters) are installed, note the following:

- Do not remove the covers. Removing the covers of the laser product could result in exposure to hazardous laser radiation. There are no serviceable parts inside the device.
- Use of controls or adjustments or performance of procedures other than those specified herein might result in hazardous radiation exposure.



DANGER: Some laser products contain an embedded Class 3A or Class 3B laser diode. Note the following:

Laser radiation when open. Do not stare into the beam, do not view directly with optical instruments, and avoid direct exposure to the beam.



≥18 kg (37 lbs)



≥32 kg (70.5 lbs)



≥55 kg (121.2 lbs)

CAUTION:

Use safe practices when lifting.



CAUTION:

The power control button on the device and the power switch on the power supply do not turn off the electrical current supplied to the device. The device also might have more than one power cord. To remove all electrical current from the device, ensure that all power cords are disconnected from the power source.



CAUTION:

Do not place any object weighing more than 82 kg (180 lbs.) on top of rack-mounted devices.





PERIGO

A corrente elétrica proveniente de cabos de alimentação, de telefone e de comunicações é perigosa.

Para evitar risco de choque:

- Não conecte ou desconecte cabos e não realize instalação, manutenção ou reconfiguração deste produto durante uma tempestade com raios.
- Conecte todos os cabos de alimentação a tomadas elétricas corretamente instaladas e aterradas.
- Conecte todos os equipamentos ao qual esse produto será conectado a tomadas corretamente instaladas.
- Sempre que possível, utilize apenas uma das mãos para conectar ou desconectar cabos de sinal.
- Nunca ligue qualquer equipamento quando existir evidência de danos por fogo, água ou na estrutura.
- Desconecte cabos de alimentação, sistemas de telecomunicação, redes e modems antes de abrir as tampas dos dispositivos, a menos que especificado de maneira diferente nos procedimentos de instalação e configuração.
- Conecte e desconecte cabos conforme descrito na seguinte tabela, ao instalar ou movimentar este produto ou os dispositivos conectados, ou ao abrir suas tampas.

Para Conectar:	Para Desconectar:
<ol style="list-style-type: none">1. DESLIGUE Tudo.2. Primeiramente, conecte todos os cabos aos dispositivos.3. Conecte os cabos de sinal aos conectores.4. Conecte os cabos de alimentação às tomadas.5. LIGUE os dispositivos.	<ol style="list-style-type: none">1. DESLIGUE Tudo.2. Primeiramente, remova os cabos de alimentação das tomadas.3. Remova os cabos de sinal dos conectores.4. Remova todos os cabos dos dispositivos.



CUIDADO:

Ao substituir a bateria de lítio, utilize apenas uma bateria IBM, Número de Peça 33F8354 ou uma bateria de tipo equivalente, recomendada pelo fabricante. Se o seu sistema possui um módulo com uma bateria de lítio, substitua-o apenas pelo mesmo tipo de módulo, do mesmo fabricante. A bateria contém lítio e pode explodir se não for utilizada, manuseada e descartada de maneira correta.

Não:

- Jogue ou coloque na água
- Aqueça a mais de 100°C (212°F)
- Conserte nem desmonte

Para descartar a bateria, entre em contato com a área de atendimento a clientes IBM, pelo telefone (011) 889-8986, para obter informações sobre como enviar a bateria pelo correio para a IBM.



PRECAUCIÓN:

Quando produtos a laser (unidades de CD-ROM, unidades de DVD, dispositivos de fibra ótica, transmissores, etc.) estiverem instalados, observe o seguinte:

- Não remova as tampas. A remoção das tampas de um produto a laser pode resultar em exposição prejudicial à radiação de laser. Nenhuma peça localizada no interior do dispositivo pode ser consertada.
- A utilização de controles ou ajustes ou a execução de procedimentos diferentes dos especificados aqui pode resultar em exposição prejudicial à radiação.

PERIGO

Alguns produtos a laser contêm um diodo laser da Classe 3A ou Classe 3B embutido. Observe o seguinte:

Radiação de laser quando aberto. Não olhe diretamente para o raio a olho nu ou com instrumentos óticos, e evite exposição direta ao raio.



≥18 kg (37 lbs)



≥32 kg (70.5 lbs)



≥55 kg (121.2 lbs)

CUIDADO:

Ao levantar a máquina, faça-o com segurança.



CUIDADO:

Os botões Liga/Desliga localizados no dispositivo e na fonte de alimentação não desligam a corrente elétrica fornecida ao dispositivo. O dispositivo também pode ter mais de um cabo de alimentação. Para remover toda a corrente elétrica do dispositivo, assegure que todos os cabos de alimentação estejam desconectados da

fonte de energia elétrica.



CUIDADO:



CUIDADO:



Não coloque nenhum objeto com peso superior a 82 kg (180 lbs.) sobre dispositivos montados em rack.

重要:

Server Library 中的所有提醒和危险条款前都有一个数字标识。该数字是用来交叉引用一个英文的提醒和危险条款及本部分中的与之对应的已翻译成其它文字的提醒和危险条款。

例如, 如果一个提醒条款前的数字为 1, 则本部分中相应的译文也带有标号 1。

在执行任何指示的操作之前, 请确保您已经阅读了全部提醒和危险条款。

声明 1



危险

电源、电话和通信电缆中带有危险电流。

为避免电击:

雷电期间不要拆接电缆或安装、维修及重新配置本产品。

将所有电源线连接至正确布线并已安全接地的电源插座上。

将与本产品连接的所有设备连接至正确布线的插座上。

尽量只使用单手拆接信号电缆。

有水、火及结构损坏迹象时, 请勿打开任何设备。

除非在安装配置过程中有明确指示, 否则, 打开设备机盖前应先断开与电源线、远程通信系统、网络和调制解调器的所有连接。

安装、移动或打开本产品及其附带设备的机盖时, 应按下表所述连接和断开电缆。

连接时:

1. 关闭所有设备。

2. 首先将所有电缆连接至设备。

3. 将信号电缆连接至接口。

4. 将电源线连接至插座。

断开连接时:

1. 关闭所有设备。

2. 首先从插座中拔出电源线。

3. 从接口上拔下信号电缆。

声明 2



警告:

更换锂电池时，只能使用 IBM 产品号 33F8354 或者是厂商推荐的等同类型的电池。

如果系统模块中含有锂电池，则只能使用同一厂商制造的同类型的模块进行更换。电池中含有锂，如果使用、拿放或处理不当，可能会发生爆炸。

请勿对电池进行下列操作：
扔入或浸入水电
加热超过 100 ° (212 F)
进行修理或分解
请按本地法规要求处理电池。

声明 3



警告:

安装激光产品（如 CD-ROM、DVD 驱动器、光纤设备或送话器）时，应注意以下事项：

不要拆除外盖。拆除激光产品的外盖可能会导致激光辐射的危险，本设备中没有用户可维修的部件。

非此处指定的其它控制、调整或与性能有关的操作都有可能导致激光辐射的危险。



危险

某些激光产品中包含内嵌的 3A 级或 3B 级激光二极管。请注意以下事项。
打开时会产生激光辐射。不要直视光束，不要使用光学仪器直接观看光束，避免直接暴露于光束之下。

声明 4



≥18 kg (37 磅)



≥32 kg (70.5 磅)



≥55 kg (121.2 磅)

警告：
抬起时请采用安全操作方法。

声明 5



警告：

使用设备上的电源控制按钮和电源上的开关都不能断开本设备上的电流。
另外，本设备可能带有多条电源线。如要断开设备上的所有电流，请确保所有电源线均已与电源断开连接。



声明 6



警告：

如果在电源线连接设备的一端安装了固定松紧夹，则必须将电源线的另一端连接至使用方便的电源。

声明 7



警告:

如果设备带有外门，则在移动或抬起设备前应将其拆除或固定以避免造成人员伤害。外门支撑不了设备的重量。

声明 8



警告:

不要拆除电源外盖或贴有下列标签的任何部件。



贴有此标签的组件内部存在高电压、高电流的危险。这些组件中没有用户可维修的部件。如果怀疑其中的部件存在问题，应与服务技术人员联系。

声明 9



警告:

为避免人员伤害，拆除设备上的风扇前应按下热插拔风扇电缆。

声明 10



警告:

机柜安装的设备上面不能放置重于 82kg (180 磅) 的物品。



> 82 kg (180 磅)

声明 11



警告:

下面的标签表明附近有锋利的边、角或接头。



声明 12



警告:

下面的标签表明附近有高热表面。



重要資訊：

Server Library 中所有「注意」及「危險」的聲明均以數字開始。此一數字是用來作為交互參考之用，英文「注意」或「危險」聲明可在本節中找到相同內容的「注意」或「危險」聲明的譯文。

例如，有一「危險」聲明以數字 1 開始，則該「危險」聲明的譯文將出現在本節的「聲明」1 中。

執行任何指示之前，請詳讀所有「注意」及「危險」的聲明。

聲明 1



危險

電源、電話及通信電纜上所產生的電流均有危險性。

欲避免電擊危險：

- 在雷雨期間，請勿連接或切斷本產品上的任何電纜線，或安裝、維修及重新架構本產品。
- 請將電源線接至接線及接地正確的電源插座。
- 請將本產品隨附的設備連接至接線正確的插座。
- 儘可能使用單手來連接或切斷信號電纜線。
- 當設備有火燒或泡水的痕跡，或有結構性損害時，請勿開啓該設備的電源。
- 在安裝及架構之時，若非非常熟悉，在開啓裝置蓋子之前，請切斷電源線、電信系統、網路及數據機。
- 在安裝、移動本產品或附加裝置，或開啓其蓋子時，請依照下表中「連接」及「切斷」電纜線的步驟執行。

連接：

1. 關閉所有開關。
2. 先將所有電纜線接上裝置。
3. 將信號電纜接上接頭。
4. 再將電源線接上電源插座。
5. 開啓裝置的電源。

切斷：

1. 關閉所有開關。
2. 先自電源插座拔掉電源線。
3. 拔掉接頭上的所有信號電纜。
4. 再拔掉裝置上的所有電纜線。

聲明 2



注意：

更換鋰電池時，只可使用 IBM 零件編號 33F8354 的電池，或製造商建議之相當類型的電池。若系統中具有包含鋰電池的模組，在更換此模組時，請使用相同廠商製造的相同模組類型。如未正確使用、處理或丟棄含有鋰的電池時，可能會引發爆炸。

請勿將電池：

- 丟入或浸入水中
- 加熱超過 100°C (212°F)
- 修理或拆開

請遵照當地法令規章處理廢棄電池。

聲明 3



注意：

安裝雷射產品(如 CD-ROM、DVD 光碟機、光纖裝置或發射器)時，請注意下列事項：

- 請勿移開蓋子。移開雷射產品的蓋子，您可能會暴露於危險的雷射輻射之下。裝置中沒有需要維修的組件。
- 不依此處所指示的控制、調整或處理步驟，您可能會暴露於危險的輻射之下。



危險

有些雷射產品含有內嵌式 Class 3A 或 Class 3B 雷射二極體。請注意下列事項：

開啓時會產生雷射輻射。請勿凝視光束，不要使用光學儀器直接觀察，且應避免直接暴露在光束下。

聲明 4



≥ 18 公斤 (37 磅) ≥ 32 公斤 (70.5 磅) ≥ 55 公斤 (121.2 磅)

注意：

抬起裝置時，請注意安全措施。

聲明 5



注意：

裝置上的電源控制按鈕及電源供應器上的電源開關均無法關閉裝置上的電流。本裝置可能有一條以上的電源線。如要移除裝置上的所有電流，請確認所有電源線已與電源分離。



聲明 10



注意：

請勿將任何重量超過 82 公斤 (180 磅) 的物品置於已安裝機架的裝置上方。



>82 公斤 (180 磅)



DANGER

Le courant électrique passant dans les câbles de communication, ou les cordons téléphoniques et d'alimentation peut être dangereux.

Pour éviter tout risque de choc électrique:

- Ne manipulez aucun câble et n'effectuez aucune opération d'installation, d'entretien ou de reconfiguration de ce produit au cours d'un orage.
- Branchez tous les cordons d'alimentation sur un socle de prise de courant correctement câblé et mis à la terre.
- Branchez sur des socles de prise de courant correctement câblés tout équipement connecté à ce produit.
- Lorsque cela est possible, n'utilisez qu'une seule main pour connecter ou déconnecter les câbles d'interface.
- Ne mettez jamais un équipement sous tension en cas d'incendie ou d'inondation, ou en présence de dommages matériels.
- Avant de retirer les carters de l'unité, mettez celle-ci hors tension et déconnectez ses cordons d'alimentation, ainsi que les câbles qui la relient aux réseaux, aux systèmes de télécommunication et aux modems (sauf instruction contraire mentionnée dans les procédures d'installation et de configuration).
- Lorsque vous installez ou que vous déplacez le présent produit ou des périphériques qui lui sont raccordés, reportez-vous aux instructions ci-dessous pour connecter et déconnecter les différents cordons.

Connexion	Déconnexion
1. Mettez les unités hors tension.	1. Mettez les unités hors tension.
2. Commencez par brancher tous les cordons sur les unités.	2. Débranchez les cordons d'alimentation des prises.
3. Branchez les câbles d'interface sur des connecteurs.	3. Débranchez les câbles d'interface des connecteurs.
4. Branchez les cordons d'alimentation sur des prises.	4. Débranchez tous les câbles des unités.
5. Mettez les unités sous tension.	



ATTENTION:

Remplacez la pile au lithium usagée par une pile de référence identique exclusivement - voir la référence IBM - ou par une pile équivalente recommandée par le fabricant. Si votre système est doté d'un module contenant une pile au lithium, vous devez le remplacer uniquement par un module identique, produit par le même fabricant. La pile contient du lithium et présente donc un risque d'explosion en cas de mauvaise manipulation ou utilisation.

- Ne la jetez pas à l'eau.
- Ne l'exposez pas à une température supérieure à 100 °C.
- Ne cherchez pas à la réparer ou à la démonter.

Pour la mise au rebut, reportez-vous à la réglementation en vigueur.



ATTENTION:

Si des produits laser sont installés (tels que des unités de CD-ROM ou de DVD, des périphériques contenant des fibres optiques ou des émetteurs-récepteurs), prenez connaissance des informations suivantes:

- N'ouvrez pas ces produits pour éviter une exposition directe au rayon laser. Vous ne pouvez effectuer aucune opération de maintenance à l'intérieur.
- Pour éviter tout risque d'exposition au rayon laser, respectez les consignes de réglage et d'utilisation des commandes, ainsi que les procédures décrites dans le présent document.



DANGER

Certains produits laser contiennent une diode laser de classe 3A ou 3B. Prenez connaissance des informations suivantes:

Rayonnement laser lorsque le carter est ouvert. évitez de regarder fixement le faisceau ou de l'observer à l'aide d'instruments optiques. évitez une exposition directe au rayon.



≥18 kg (37 lbs)



≥32 kg (70.5 lbs)



≥55 kg (121.2 lbs)

ATTENTION:

Faites-vous aider pour soulever ce produit.



ATTENTION:

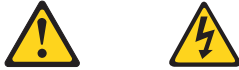
Le bouton de mise sous tension/hors tension de l'unité et l'interrupteur d'alimentation du bloc d'alimentation ne coupent pas l'arrivée de courant électrique à l'intérieur de la machine. Il se peut que votre unité dispose de plusieurs cordons d'alimentation. Pour isoler totalement l'unité du réseau électrique, débranchez tous les cordons d'alimentation des socles de prise de

courant.



ATTENTION:

Ne posez pas d'objet dont le poids dépasse 82 kg sur les unités montées en armoire.



VORSICHT

Elektrische Spannungen von Netz-, Telefon- und Datenübertragungsleitungen sind gefährlich.

Aus Sicherheitsgründen:

- Bei Gewitter an diesem Gerät keine Kabel anschließen oder lösen. Ferner keine Installations-, Wartungs- oder Rekonfigurationsarbeiten durchführen.
- Gerät nur an eine Schutzkontaktsteckdose mit ordnungsgemäß geerdetem Schutzkontakt anschließen.
- Alle angeschlossenen Geräte ebenfalls an Schutzkontaktsteckdosen mit ordnungsgemäß geerdetem Schutzkontakt anschließen.
- Signalkabel möglichst einhändig anschließen oder lösen.
- Keine Geräte einschalten, wenn die Gefahr einer Beschädigung durch Feuer, Wasser oder andere Einflüsse besteht.
- Die Verbindung zu den angeschlossenen Netzkabeln, Telekommunikationssystemen, Netzwerken und Modems ist vor dem öffnen des Gehäuses zu unterbrechen. Es sei denn, dies ist in den zugehörigen Installations- und Konfigurationsprozeduren anders angegeben.
- Nur nach den nachfolgend aufgeführten Anweisungen arbeiten, die für Installation, Transport oder öffnen von Gehäusen von Personal Computern oder angeschlossenen Einheiten gelten.

Kabel anschließen:	Kabel lösen:
<ol style="list-style-type: none">1. Alle Geräte ausschalten und Netzstecker ziehen.2. Zuerst alle Kabel an Einheiten anschließen.3. Signalkabel an Anschlußbuchsen anschließen.4. Netzstecker an Steckdose anschließen.5. Gerät einschalten.	<ol style="list-style-type: none">1. Alle Geräte ausschalten.2. Zuerst Netzstecker von Steckdose lösen.3. Signalkabel von Anschlußbuchsen lösen.4. Alle Kabel von Einheiten lösen.



ACHTUNG:

Eine verbrauchte Batterie nur durch eine Batterie mit der IBM Teilenummer 33F8354 oder durch eine vom Hersteller empfohlene Batterie ersetzen. Wenn Ihr System ein Modul mit einer Lithium-Batterie enthält, ersetzen Sie es immer mit dem selben Modultyp vom selben Hersteller. Die Batterie enthält Lithium und kann bei unsachgemäßer Verwendung, Handhabung oder Entsorgung explodieren.

Die Batterie nicht:

- mit Wasser in Berührung bringen.
- über 100° C erhitzen.
- reparieren oder zerlegen.

Die örtlichen Bestimmungen für die Entsorgung von Sondermüll beachten.



ACHTUNG:

Wenn ein Laserprodukt (z. B. CD-ROM-Laufwerke, DVD-Laufwerke, Einheiten mit Glasfaserkabeln oder Transmitter) installiert ist, beachten Sie folgendes.

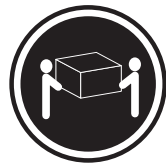
- Das Entfernen der Abdeckungen des CD-ROM-Laufwerks kann zu gefährlicher Laserstrahlung führen. Es befinden sich keine Teile innerhalb des CD-ROM-Laufwerks, die vom Benutzer gewartet werden müssen. Die Verkleidung des CD-ROM-Laufwerks nicht öffnen.
- Steuer- und Einstellelemente sowie Verfahren nur entsprechend den Anweisungen im vorliegenden Handbuch einsetzen. Andernfalls kann gefährliche Laserstrahlung auftreten.



VORSICHT

Manche CD-ROM-Laufwerke enthalten eine eingebaute Laserdiode der Klasse 3A oder 3B. Die nachfolgend aufgeführten Punkte beachten.

Laserstrahlung bei geöffneter Tür. Niemals direkt in den Laserstrahl sehen, nicht direkt mit optischen Instrumenten betrachten und den Strahlungsbereich meiden.



≥18 kg



≥32 kg



≥55 kg

ACHTUNG:

Beim Anheben der Maschine die vorgeschriebenen Sicherheitsbestimmungen beachten.



ACHTUNG:

Mit dem Betriebsspannungsschalter an der Vorderseite des Servers und dem Betriebsspannungsschalter am Netzteil wird die Stromversorgung für den Server nicht unterbrochen. Der Server könnte auch mehr als ein Netzkabel aufweisen. Um die gesamte Stromversorgung des Servers auszuschalten, muß sichergestellt

werden, daß alle Netzkabel aus den Netzsteckdosen herausgezogen wurden.



ACHTUNG:



Keine Gegenstände, die mehr als 82 kg wiegen, auf Rack-Einheiten ablegen.



PERICOLO

La corrente elettrica circolante nei cavi di alimentazione, del telefono e di segnale è pericolosa.

Per evitare il pericolo di scosse elettriche:

- Non collegare o scollegare i cavi, non effettuare l'installazione, la manutenzione o la riconfigurazione di questo prodotto durante i temporali.
- Collegare tutti i cavi di alimentazione ad una presa elettrica correttamente cablata e munita di terra di sicurezza.
- Collegare qualsiasi apparecchiatura collegata a questo prodotto ad una presa elettrica correttamente cablata e munita di terra di sicurezza.
- Quando possibile, collegare o scollegare i cavi di segnale con una sola mano.
- Non accendere qualsiasi apparecchiatura in presenza di fuoco, acqua o se sono presenti danni all'apparecchiatura stessa.
- Scollegare i cavi di alimentazione, i sistemi di telecomunicazioni, le reti e i modem prima di aprire i coperchi delle unità, se non diversamente indicato nelle procedure di installazione e configurazione.
- Collegare e scollegare i cavi come descritto nella seguente tabella quando si effettuano l'installazione, la rimozione o l'apertura dei coperchi di questo prodotto o delle unità collegate.

Per collegare:	Per scollegare:
1. SPEGNERE tutti i dispositivi.	1. SPEGNERE tutti i dispositivi.
2. Collegare prima tutti i cavi alle unità.	2. Rimuovere prima i cavi di alimentazione dalle prese elettriche.
3. Collegare i cavi di segnale ai connettori.	3. Rimuovere i cavi di segnale dai connettori.
4. Collegare i cavi di alimentazione alle prese elettriche.	4. Rimuovere tutti i cavi dalle unità.
5. ACCENDERE le unità.	



ATTENZIONE:

Quando si sostituisce la batteria al litio, utilizzare solo una batteria IBM con numero parte 33F8354 o batterie dello stesso tipo o di tipo equivalente consigliate dal produttore. Se il sistema di cui si dispone è provvisto di un modulo contenente una batteria al litio, sostituire tale batteria solo con un tipo di modulo uguale a quello fornito dal produttore. La batteria contiene litio e può esplodere se utilizzata, maneggiata o smaltita impropriamente.

Evitare di:

- Gettarla o immergerla in acqua
- Riscaldarla ad una temperatura superiore ai 100°C
- Cercare di ripararla o smontarla

Smaltire secondo la normativa in vigore (D.Lgs 22 del 5/2/9) e successive disposizioni nazionali e locali.



ATTENZIONE:

Quando si installano prodotti laser come, ad esempio, le unità DVD, CD-ROM, a fibre ottiche o trasmettitori, prestare attenzione a quanto segue:

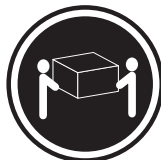
- Non rimuovere i coperchi. L'apertura dei coperchi di prodotti laser può determinare l'esposizione a radiazioni laser pericolose. All'interno delle unità non vi sono parti su cui effettuare l'assistenza tecnica.
- L'utilizzo di controlli, regolazioni o l'esecuzione di procedure non descritti nel presente manuale possono provocare l'esposizione a radiazioni pericolose.



PERICOLO

Alcuni prodotti laser contengono all'interno un diodo laser di Classe 3A o Classe 3B. Prestare attenzione a quanto segue:

Aperto l'unità vengono emesse radiazioni laser. Non fissare il fascio, non guardarlo direttamente con strumenti ottici ed evitare l'esposizione diretta al fascio.



≥18 kg



≥32 kg



≥55 kg

ATTENZIONE:

Durante il sollevamento della macchina seguire delle norme di sicurezza.



ATTENZIONE:

Il pulsante del controllo dell'alimentazione situato sull'unità e l'interruttore di alimentazione posto sull'alimentatore non disattiva la corrente elettrica fornita all'unità. L'unità potrebbe disporre di più di un cavo di alimentazione. Per disattivare la corrente elettrica dall'unità, accertarsi che tutti i cavi di alimentazione

siano scollegati dalla sorgente di alimentazione.



ATTENZIONE:



Non poggiare oggetti che pesano più di 82 kg sulla parte superiore delle unità montate in rack.

중요:

본 *Server Library*에 있는 모든 주의 및 위험 경고문은 번호로 시작합니다. 이 번호는 영문 주의 혹은 위험 경고문과 이 절에 나오는 번역된 버전의 주의 혹은 위험 경고문을 상호 참조하는 데 사용됩니다.

예를 들어, 주의 경고문이 번호 1로 시작하면, 번역된 해당 주의 경고문을 본 절의 경고문 1에서 찾아볼 수 있습니다.

모든 지시사항을 수행하기 전에 반드시 모든 주의 및 위험 경고문을 읽으십시오.

경고문 1



위험

전원, 전화 및 통신 케이블로부터 흘러 나오는 전류는 위험합니다.

전기 충격을 피하려면:

- 뇌우를 동반할 때는 케이블의 연결이나 철수, 이 제품의 설치, 유지보수 또는 재구성을 하지 마십시오.
- 모든 전원 코드를 적절히 배선 및 접지해야 합니다.
- 이 제품에 연결될 모든 장비를 적절하게 배선된 콘센트에 연결하십시오.
- 가능한 한 신호 케이블을 한 손으로 연결하거나 끊으십시오.
- 화재, 수해 또는 구조상의 손상이 있을 경우 장비를 켜지 마십시오.
- 설치 및 구성 프로시저에 다른 설명이 없는 한, 장치 덮개를 열기 전에 연결된 전원 코드, 원거리 통신 시스템, 네트워크 및 모뎀을 끊어 주십시오.
- 제품 또는 접속된 장치를 설치, 이동 및 덮개를 열 때 다음 설명에 따라 케이블을 연결하거나 끊도록 하십시오.

연결하려면:	연결을 끊으려면:
1. 모든 스위치를 끕니다.	1. 모든 스위치를 끕니다.
2. 먼저 모든 케이블을 장치에 연결합니다.	2. 먼저 콘센트에서 전원 코드를 뽑습니다.
3. 신호 케이블을 커넥터에 연결합니다.	3. 신호 케이블을 커넥터에서 제거합니다.
4. 콘센트에 전원 코드를 연결합니다.	4. 장치에서 모든 케이블을 제거합니다.
5. 장치 스위치를 켭니다.	

경고문 2



주의:

리튬 배터리를 교체할 때는 IBM 부품 번호 33F8354 또는 제조업체에서 권장하는 동등한 유형의 배터리를 사용하십시오. 시스템에 리튬 배터리를 갖고 있는 모듈이 있으면 동일한 제조업체에서 생산된 동일한 모듈 유형으로 교체하십시오. 배터리에 리튬이 있을 경우 제대로 사용, 처리 또는 처분하지 않으면 폭발할 수 있습니다.

다음은 주의하십시오.

- 먼지거나 물에 담그지 않도록 하십시오.
- 100°C(212°F) 이상으로 가열하지 마십시오.
- 수리하거나 분해하지 마십시오.

지역 법령이나 규정의 요구에 따라 배터리를 처분하십시오.

경고문 3



주의:
레이저 제품(CD-ROMs, DVD 드라이브, 광 장치 또는 트랜스미터 등과 같은)이 설치되어 있을 경우 다음을 유의하십시오.

- 덮개를 제거하지 마십시오. 레이저 제품의 덮개를 제거했을 경우 위험한 레이저 광선에 노출될 수 있습니다. 이 장치 안에는 서비스를 받을 수 있는 부품이 없습니다.

- 여기에서 지정하지 않은 방식의 제어, 조절 또는 실행으로 인해 위험한 레이저 광선에 노출될 수 있습니다.



위험

일부 레이저 제품에는 클래스 3A 또는 클래스 3B 레이저 다이오드가 들어 있습니다. 다음을 주의하십시오.

열면 레이저 광선에 노출됩니다. 광선을 주시하거나 광학 기계를 직접 쳐다보지 않도록 하고 광선에 노출되지 않도록 하십시오.

경고문 4



≥ 18 kg (37 lbs)



≥ 32 kg (70.5 lbs)



≥ 55 kg (121.2 lbs)

주의:

기계를 들 때는 안전하게 들어 올리십시오.

경고문 5



주의:

장치의 전원 제어 버튼 및 전원 공급기의 전원 스위치는 장치에 공급되는 전류를 차단하지 않습니다. 장치에 둘 이상의 전원 코드가 연결되어 있을 수도 있습니다. 장치에서 모든 전류를 차단하려면 모든 전원 코드가 전원으로부터 차단되어 있는지 확인하십시오.



경고문 10



주의:

서랍형 모델의 장치 상단에 82 kg(180 lbs.)이 넘는 물체를 올려
놓지 마십시오.



> 82 kg (180 lbs)



PELIGRO

La corriente eléctrica de los cables telefónicos, de alimentación y de comunicaciones es perjudicial.

Para evitar una descarga eléctrica:

- No conecte ni desconecte ningún cable ni realice las operaciones de instalación, mantenimiento o reconfiguración de este producto durante una tormenta.
- Conecte cada cable de alimentación a una toma de alimentación eléctrica con conexión a tierra y cableado correctos.
- Conecte a tomas de alimentación con un cableado correcto cualquier equipo que vaya a estar conectado a este producto.
- Si es posible, utilice una sola mano cuando conecte o desconecte los cables de señal.
- No encienda nunca un equipo cuando haya riesgos de incendio, de inundación o de daños estructurales.
- Desconecte los cables de alimentación, sistemas de telecomunicaciones, redes y módems conectados antes de abrir las cubiertas del dispositivo a menos que se indique lo contrario en los procedimientos de instalación y configuración.
- Conecte y desconecte los cables tal como se describe en la tabla siguiente cuando desee realizar una operación de instalación, de traslado o de apertura de las cubiertas para este producto o para los dispositivos conectados.

Para la conexión	Para la desconexión
1. APÁGUELO todo.	1. APÁGUELO todo.
2. En primer lugar, conecte los cables a los dispositivos.	2. En primer lugar, retire cada cable de alimentación de la toma de alimentación.
3. Conecte los cables de señal a los conectores.	3. Retire los cables de señal de los conectores.
4. Conecte cada cable de alimentación a la toma de alimentación.	4. Retire los cables de los dispositivos.
5. ENCIENDA el dispositivo.	



PRECAUCIÓN:

Cuando desee sustituir la batería de litio, utilice únicamente el número de pieza 33F8354 de IBM o cualquier tipo de batería equivalente que recomiende el fabricante. Si el sistema tiene un módulo que contiene una batería de litio, sustitúyalo únicamente por el mismo tipo de módulo, que ha de estar creado por el mismo fabricante. La batería contiene litio y puede explotar si el usuario no la utiliza ni la maneja de forma adecuada o si no se desprende de la misma como corresponde.

No realice las acciones siguientes:

- Arrojarla al agua o sumergirla

- Calentarla a una temperatura que supere los 100°C (212°F)
- Repararla o desmontarla

Despréndase de la batería siguiendo los requisitos que exija el reglamento o la legislación local.



PRECAUCIÓN:

Cuando instale productos láser (como, por ejemplo, CD-ROM, unidades DVD, dispositivos de fibra óptica o transmisores), tenga en cuenta las advertencias siguientes:

- No retire las cubiertas. Si retira las cubiertas del producto láser, puede quedar expuesto a radiación láser perjudicial. Dentro del dispositivo no existe ninguna pieza que requiera mantenimiento.
- El uso de controles o ajustes o la realización de procedimientos que no sean los que se han especificado aquí pueden dar como resultado una exposición perjudicial a las radiaciones.



PELIGRO

Algunos productos láser contienen un diodo de láser incorporado de Clase 3A o de Clase 3B. Tenga en cuenta la advertencia siguiente.

Cuando se abre, hay radiación láser. No mire fijamente el rayo ni lleve a cabo ningún examen directamente con instrumentos ópticos; evite la exposición directa al rayo.



≥18 kg



≥32 kg



≥55 kg

PRECAUCIÓN:

Tome medidas de seguridad al levantar el producto.



PRECAUCIÓN:

El botón de control de alimentación del dispositivo y el interruptor de alimentación de la fuente de alimentación no apagan la corriente eléctrica suministrada al dispositivo. Es posible también que el dispositivo tenga más de un cable de alimentación. Para eliminar la corriente eléctrica del dispositivo, asegúrese de desconectar todos los cables de alimentación de la fuente de alimentación.



PRECAUCIÓN:



No coloque ningún objeto que pese más de 82 kg (180 libras) encima de los dispositivos montados en bastidor.

Send us your comments!

We want to know your opinion about this manual (part number 24P2934). Your input will help us to improve our publications.

Please photocopy this survey, complete it, and then fax it to **IBM HMM Survey** at **919-543-8167 (USA)**.

Name: _____

Phone number: _____

1. Do you like this manual?

Yes No

2. What would you like to see added, changed, or deleted in this manual?

3. What is your service experience level?

Less than five years

More than five years

4. Which computers do you service most?

Thank you for your response!

Problem determination tips

Due to the variety of hardware and software combinations that can be encountered, use the following information to assist you in problem determination. If possible, have this information available when requesting assistance from Service Support and Engineering functions.

- Machine type and model
- Processor or hard disk upgrades
- Failure symptom
 - Do diagnostics fail?
 - What, when, where, single, or multiple systems?
 - Is the failure repeatable?
 - Has this configuration ever worked?
 - If it has been working, what changes were made prior to it failing?
 - Is this the original reported failure?
- Reference/Diagnostics version
 - Type and version level
- Hardware configuration
 - Print (print screen) configuration currently in use
 - BIOS level
- Operating system software
 - Type and version level

Note: To eliminate confusion, identical systems are considered identical only if they:

1. Are the exact machine type and models
2. Have the same BIOS level
3. Have the same adapters/attachments in the same locations
4. Have the same address jumpers/terminators/cabling
5. Have the same software versions and levels
6. Have the same Reference/Diagnostics Diskette (version)
7. Have the same configuration options set in the system
8. Have the same setup for the operation system control files

Comparing the configuration and software set-up between "working and non-working" systems will often lead to problem resolution.

Notices

References in this publication to IBM products, programs, or services do not imply that IBM intends to make these available in all countries in which IBM operates. Any reference to an IBM product, program, or service is not intended to state or imply that only that IBM product, program, or service may be used. Subject to IBM's valid intellectual property or other legally protectable rights, any functionally equivalent product, program, or service may be used instead of the IBM product, program, or service. The evaluation and verification of operation in conjunction with other products, except those expressly designated by IBM, are the responsibility of the user.

Trademarks

The following terms are trademarks of the IBM Corporation in the United States, other countries, or both:

Alert on LAN	OS/2 Warp
EtherJet	ServeRAID
e-business logo	ServerGuide
HelpCenter	ServerProven
HelpWare	TechConnect
IBM	Tivoli
OS/2	Update Connector
NetView	Wake on LAN
NetVista	

Lotus and Domino are trademarks of Lotus Development Corporation in the United States, other countries, or both.

Intel and Celeron are registered trademarks of Intel Corporation.

Microsoft, Windows, and Windows NT are trademarks of Microsoft Corporation in the United States, other countries, or both.

UNIX is a registered trademark of The Open Group in the United States and other countries.

Java and all Java-based trademarks and logos are trademarks or registered trademarks of Sun Microsystems, Inc. in the United States, other countries, or both.

Other company, product, and service names may be trademarks or service marks of others.



Part Number: 24P2934

Printed in USA

(1P) P/N: 24P2934



Free Manuals Download Website

<http://myh66.com>

<http://usermanuals.us>

<http://www.somanuals.com>

<http://www.4manuals.cc>

<http://www.manual-lib.com>

<http://www.404manual.com>

<http://www.luxmanual.com>

<http://aubethermostatmanual.com>

Golf course search by state

<http://golfingnear.com>

Email search by domain

<http://emailbydomain.com>

Auto manuals search

<http://auto.somanuals.com>

TV manuals search

<http://tv.somanuals.com>