



# ThinkPad R30/R31 Hardware Maintenance Manual

Before using this information and the product it supports, be sure to read the general information under “Introduction” on page 1, and “Notices” on page 228.

**First Edition (September 2002)**

**The following paragraph does not apply to the United Kingdom or any country where such provisions are inconsistent with local law:**

INTERNATIONAL BUSINESS MACHINES CORPORATION PROVIDES THIS PUBLICATION “AS IS” WITHOUT ANY WARRANTY OF ANY KIND, EITHER EXPRESS OR IMPLIED, INCLUDING, BUT NOT LIMITED TO, THE LIMITED WARRANTIES OF MERCHANTABILITY OR FITNESS FOR A PARTICULAR PURPOSE. Some states do not allow disclaimers or express or implied warranties in certain transactions; therefore, this statement may not apply to you.

This publication could include technical inaccuracies or typographical errors. Changes are periodically made to the information herein; these changes will be incorporated in new editions of the publication. IBM may make improvements or changes in the products or the programs described in this publication at any time.

Requests for technical information about IBM products should be made to your IBM Authorized Dealer or your IBM Marketing Representative.

**© Copyright International Business Machines Corporation 2002. All rights reserved.** Note to US Government Users — Documentation related to restricted rights — Use, duplication, or disclosure is subject to restrictions set forth in GSA ADP Schedule Contract with IBM Corp.

---

# Preface

## *About this manual*

This manual contains service and reference information for IBM ThinkPad R30/R31 products. Use this manual along with the advanced diagnostic tests to troubleshoot problems effectively.

The manual is divided into sections as follows:

- The Introduction section provides general information, guidelines, and safety information required to service computers.
- The product-specific section includes service, reference, and product-specific parts information.

### **Important**

This manual is intended for trained servicers who are familiar with ThinkPad products. Use this manual along with the advanced diagnostic tests to troubleshoot problems effectively. Before servicing an IBM ThinkPad product, be sure to review the safety information under “Safety Notices (Multi-lingual Translations)” on page 3, “Safety Information” on page 13, and “Laser Compliance Statement” on page 17.



---

# Contents

<b>Preface</b> . . . . .	<b>iii</b>
<b>ThinkPad R30/R31 Hardware Maintenance Manual</b>	<b>1</b>
Introduction . . . . .	1
Important Service Information. . . . .	1
Drive and Diskette Compatibility Matrix . . . . .	2
Safety Notices (Multi-lingual Translations) . . . . .	3
Safety Information. . . . .	13
Laser Compliance Statement . . . . .	17
General Descriptions . . . . .	20
Read this first . . . . .	21
What to do first . . . . .	21
FRU replacement notices . . . . .	23
LCD replacement notice . . . . .	23
Screw notices . . . . .	23
System board/LCD/Inverter replacement notice	24
Related service information . . . . .	26
Power button as reset switch . . . . .	26
Running a low-level format . . . . .	26
Service Web site . . . . .	26
Passwords . . . . .	26
Power management features . . . . .	28
Fn key combinations . . . . .	30
Product recovery program . . . . .	30
Flash BIOS. . . . .	33
Checkout guide . . . . .	34
Testing the computer . . . . .	34
Related service information . . . . .	35
Power systems checkout. . . . .	36
Symptom-to-FRU Index . . . . .	40
Numeric Error Codes and Messages . . . . .	40
Beep Symptoms . . . . .	43
LCD-Related Symptoms . . . . .	44
Keyboard/TrackPoint-Related Symptoms . . . . .	45
Indicator-Related Symptoms. . . . .	45
Power-Related Symptoms . . . . .	45
Memory-Related Symptom . . . . .	46
Audio-Related Symptoms . . . . .	46
PC Card (PCMCIA)-Related Symptoms . . . . .	46
Power Management-Related Symptoms . . . . .	47
Peripheral-Device-Related Symptoms . . . . .	47
Modem-Related Symptom . . . . .	48
Operating System-Related Symptom . . . . .	48
Intermittent Problems. . . . .	48
Undetermined Problems . . . . .	49
ThinkPad R30 . . . . .	50
Product overview . . . . .	51
FRU removals and replacements . . . . .	56
Locations . . . . .	84
Parts list . . . . .	87

ThinkPad R31 Part I . . . . . 100  
    Product overview . . . . . 102  
    FRU removals and replacements . . . . . 107  
    Locations . . . . . 136  
    Parts list . . . . . 139  
ThinkPad R31 Part II . . . . . 156  
    Product overview . . . . . 157  
    FRU removals and replacements . . . . . 162  
    Locations . . . . . 191  
    Parts list . . . . . 194  
ThinkPad R31 Part III . . . . . 208  
    Product overview . . . . . 209  
    Parts list . . . . . 214  
Notices . . . . . 228  
Trademarks . . . . . 229

---

# ThinkPad R30/R31 Hardware Maintenance Manual

---

## Introduction

### Important Service Information

#### Important

Diskette fixes are customer-installable. The diskette fixes are posted on the IBM support site <http://www.pc.ibm.com/support/>.

Advise customers to contact the IBM® HelpCenter® at 800-772-2227 if they need assistance in obtaining or installing any diskette fixes.

Customers in Canada should call IBM® HelpCenter® at 800-565-3344 for assistance or download information.

### FRU Replacement Strategy

#### Before Replacing Parts

Ensure that all diskette fixes are installed prior to replacing any FRUs listed in this manual.

Use the following strategy to prevent unnecessary FRU replacement and service expense:

- **If you are instructed to replace a FRU and that does not correct the problem, reinstall the original FRU before you continue.**
- Some computers have both a processor board and a system board. If you are instructed to replace either the processor board or the system board, and the first board that you replaced does not correct the problem, reinstall the original board, then replace the other (processor or system) board.
- If an adapter or device consists of more than one FRU, an error code may be caused by any of the FRUs. Before replacing the adapter or device, remove the FRUs, one by one, to see if the symptoms change. Replace only the FRU that changed the symptoms.
- R31 : When CPU is replaced, the heat sink should be replaced with new one also.

**Attention:** A customized setup configuration (other than default settings) may exist on the computer you are servicing. Running Automatic Configuration may alter those settings. Note the current configuration settings (using the View Configuration option) and verify that the settings are in place when service is complete.

## Hard Disk Drive Replacement Strategy

Always try to run a low-level format before replacing a hard disk drive.

**Attention:** The drive startup sequence in the computer you are servicing might have been changed. Be extremely careful during write operations such as copying, saving, or formatting. Data or programs can be over-written if you select an incorrect drive.

## How to Use Error Messages

Use the error codes displayed on the screen to diagnose failures. If more than one error code is displayed, begin the diagnosis with the first error code. The cause of the first error code can result in false error codes being displayed. If no error code is displayed, see if the error symptom is listed in the Symptom-to-FRU Index for the computer you are servicing.

## How to Read POST Error Messages

POST error messages are displayed on the screen as three, four, five, or eight digits. The error messages that can be displayed as shorter POST messages are highlighted in this index. Some digits will represent different information for SCSI errors versus non-SCSI errors.

All SCSI devices are set to a different SCSI ID. Duplicate SCSI ID settings can generate a false error message. Use the SCSI ID to determine whether the error message is coming from an internal or an external device.

## Drive and Diskette Compatibility Matrix

The following table provides identification information for 3.5-inch drives.

Diskette Drive	Identifying Mark
3.5-Inch - 1.44MB	1.44 on the eject button
3.5-Inch - 2.88MB	2.88 on the eject button

The following table provides compatibility information for 3.5-inch diskettes and 3.5-inch diskette drives.



<b>Diskette Capacity</b>	<b>1.44MB Drive</b>	<b>2.88MB Drive</b>
1.0MB	Read/Write	Read/Write
2.0MB	Read/Write	Read/Write
4.0MB	Not Compatible	Read/Write

## **Safety Notices (Multi-lingual Translations)**

In this manual, safety notices appear in English with a page number reference to the appropriate multi-lingual, translated safety notice found in this section.

The following safety notices are provided in English, French, German, Italian, and Spanish.

### **Safety Notice 1**

Before the computer is powered-on after FRU replacement, make sure all screws, springs, or other small parts are in place and are not left loose inside the computer. Verify this by shaking the computer and listening for rattling sounds. Metallic parts or metal flakes can cause electrical shorts.

Avant de remettre l'ordinateur sous tension après remplacement d'une unité en clientèle, vérifiez que tous les ressorts, vis et autres pièces sont bien en place et bien fixées. Pour ce faire, secouez l'unité et assurez-vous qu'aucun bruit suspect ne se produit. Des pièces métalliques ou des copeaux de métal pourraient causer un court-circuit.

Bevor nach einem FRU-Austausch der Computer wieder angeschlossen wird, muß sichergestellt werden, daß keine Schrauben, Federn oder andere Kleinteile fehlen oder im Gehäuse vergessen wurden. Der Computer muß geschüttelt und auf Klappergeräusche geprüft werden. Metallteile oder -splitter können Kurzschlüsse erzeugen.

Prima di accendere l'elaboratore dopo che é stata effettuata la sostituzione di una FRU, accertarsi che tutte le viti, le molle e tutte le altre parti di piccole dimensioni siano nella corretta posizione e non siano sparse all'interno dell'elaboratore. Verificare ciò scuotendo l'elaboratore e prestando attenzione ad eventuali rumori; eventuali parti o pezzetti metallici possono provocare cortocircuiti pericolosi.

Antes de encender el sistema despues de sustituir una FRU, compruebe que todos los tornillos, muelles y demás piezas pequeñas se encuentran en su sitio y no se encuentran sueltas dentro del sistema. Compruébelo agitando el sistema y escuchando los posibles ruidos que provocarían. Las piezas metálicas pueden causar cortocircuitos eléctricos.

## **Safety Notice 2**

Some standby batteries contain a small amount of nickel and cadmium. Do not disassemble it, recharge it, throw it into fire or water, or short-circuit it. Dispose of the battery as required by local ordinances or regulations. Use only the battery in the appropriate parts listing. Use of an incorrect battery can result in ignition or explosion of the battery.

Certaines batteries de secours contiennent du nickel et du cadmium. Ne les démontez pas, ne les rechargez pas, ne les exposez ni au feu ni à l'eau. Ne les mettez pas en court-circuit. Pour les mettre au rebut, conformez-vous à la réglementation en vigueur. Lorsque vous remplacez la pile de sauvegarde ou celle de l'horloge temps réel, veillez à n'utiliser que les modèles cités dans la liste de pièces détachées adéquate. Une batterie ou une pile inappropriée risque de prendre feu ou d'exploser.

Die Bereitschaftsbatterie, die sich unter dem Diskettenlaufwerk befindet, kann geringe Mengen Nickel und Cadmium enthalten. Sie darf nur durch die Verkaufsstelle oder den IBM Kundendienst ausgetauscht werden. Sie darf nicht zerlegt, wiederaufgeladen, kurzgeschlossen, oder Feuer oder Wasser ausgesetzt werden. Die Batterie kann schwere Verbrennungen oder Verätzungen verursachen. Bei der Entsorgung die örtlichen Bestimmungen für Sondermüll beachten. Beim Ersetzen der Bereitschafts- oder Systembatterie nur Batterien des Typs verwenden, der in der Ersatzteilliste aufgeführt ist. Der Einsatz falscher Batterien kann zu Entzündung oder Explosion führen.

**(Continued)**

Alcune batterie di riserva contengono una piccola quantità di nichel e cadmio. Non smontarle, ricaricarle, gettarle nel fuoco o nell'acqua né cortocircuitarle. Smaltirle secondo la normativa in vigore (DPR 915/82, successive disposizioni e disposizioni locali). Quando si sostituisce la batteria dell'RTC (real time clock) o la batteria di supporto, utilizzare soltanto i tipi inseriti nell'appropriato Catalogo parti. L'impiego di una batteria non adatta potrebbe determinare l'incendio o l'esplosione della batteria stessa.

Algunas baterías de reserva contienen una pequeña cantidad de níquel y cadmio. No las desmonte, ni recargue, ni las eche al fuego o al agua ni las cortocircuite. Deséchelas tal como dispone la normativa local. Utilice sólo baterías que se encuentren en la lista de piezas. La utilización de una batería no apropiada puede provocar la ignición o explosión de la misma.

### **Safety Notice 3**

The battery pack contains small amounts of nickel. Do not disassemble it, throw it into fire or water, or short-circuit it. Dispose of the battery pack as required by local ordinances or regulations. Use only the battery in the appropriate parts listing when replacing the battery pack. Use of an incorrect battery can result in ignition or explosion of the battery.

La batterie contient du nickel. Ne la démontez pas, ne l'exposez ni au feu ni à l'eau. Ne la mettez pas en court-circuit. Pour la mettre au rebut, conformez-vous à la réglementation en vigueur. Lorsque vous remplacez la batterie, veillez à n'utiliser que les modèles cités dans la liste de pièces détachées adéquate. En effet, une batterie inappropriée risque de prendre feu ou d'exploser.

Akkus enthalten geringe Mengen von Nickel. Sie dürfen nicht zerlegt, wiederaufgeladen, kurzgeschlossen, oder Feuer oder Wasser ausgesetzt werden. Bei der Entsorgung die örtlichen Bestimmungen für Sondermüll beachten. Beim Ersetzen der Batterie nur Batterien des Typs verwenden, der in der Ersatzteilliste aufgeführt ist. Der Einsatz falscher Batterien kann zu Entzündung oder Explosion führen.

La batteria contiene piccole quantità di nichel. Non smontarla, gettarla nel fuoco o nell'acqua né cortocircuitarla. Smaltirla secondo la normativa in vigore (DPR 915/82, successive disposizioni e disposizioni locali). Quando si sostituisce la batteria, utilizzare soltanto i tipi inseriti nell'appropriato Catalogo parti. L'impiego di una batteria non adatta potrebbe determinare l'incendio o l'esplosione della batteria stessa.

Las baterías contienen pequeñas cantidades de níquel. No las desmonte, ni recargue, ni las eche al fuego o al agua ni las cortocircuite. Deséchelas tal como dispone la normativa local. Utilice sólo baterías que se encuentren en la lista de piezas al sustituir la batería. La utilización de una batería no apropiada puede provocar la ignición o explosión de la misma.

#### **Safety Notice 4**

The lithium battery can cause a fire, explosion, or severe burn. Do not recharge it, remove its polarized connector, disassemble it, heat it above 100°C (212°F), incinerate it, or expose its cell contents to water. Dispose of the battery as required by local ordinances or regulations. Use only the battery in the appropriate parts listing. Use of an incorrect battery can result in ignition or explosion of the battery.

La pile de sauvegarde contient du lithium. Elle présente des risques d'incendie, d'explosion ou de brûlures graves. Ne la rechargez pas, ne retirez pas son connecteur polarisé et ne la démontez pas. Ne l'exposez pas à une température supérieure à 100°C, ne la faites pas brûler et n'en exposez pas le contenu à l'eau. Mettez la pile au rebut conformément à la réglementation en vigueur. Une pile inappropriée risque de prendre feu ou d'exploser.

Die Systematterie ist eine Lithiumatterie. Sie kann sich entzünden, explodieren oder schwere Verbrennungen hervorrufen. Batterien dieses Typs dürfen nicht aufgeladen, zerlegt, über 100 C erhitzt oder verbrannt werden. Auch darf ihr Inhalt nicht mit Wasser in Verbindung gebracht oder der zur richtigen Polung angebrachte Verbindungsstecker entfernt werden. Bei der Entsorgung die örtlichen Bestimmungen für Sondermüll beachten. Beim Ersetzen der Batterie nur Batterien des Typs verwenden, der in der Ersatzteilliste aufgeführt ist. Der Einsatz falscher Batterien kann zu Entzündung oder Explosion führen.

La batteria di supporto è una batteria al litio e può incendiarsi, esplodere o procurare gravi ustioni. Evitare di ricaricarla, smontarne il connettore polarizzato, smontarla, riscaldarla ad una temperatura superiore ai 100 gradi centigradi, incendiarla o gettarla in acqua. Smaltirla secondo la normativa in vigore (DPR 915/82, successive disposizioni e disposizioni locali). L'impiego di una batteria non adatta potrebbe determinare l'incendio o l'esplosione della batteria stessa.

**(Continued)**

La batería de repuesto es una batería de litio y puede provocar incendios, explosiones o quemaduras graves. No la recargue, ni quite el conector polarizado, ni la desmonte, ni caliente por encima de los 100°C (212°F), ni la incinere ni exponga el contenido de sus celdas al agua. Deséchela tal como dispone la normativa local.

### **Safety Notice 5**

If the LCD breaks and the fluid from inside the LCD gets into your eyes or on your hands, immediately wash the affected areas with water for at least 15 minutes. Seek medical care if any symptoms from the fluid are present after washing.

Si le panneau d'affichage à cristaux liquides se brise et que vous recevez dans les yeux ou sur les mains une partie du fluide, rincez-les abondamment pendant au moins quinze minutes. Consultez un médecin si des symptômes persistent après le lavage.

Die Leuchtstoffröhre im LCD-Bildschirm enthält Quecksilber. Bei der Entsorgung die örtlichen Bestimmungen für Sondermüll beachten. Der LCD-Bildschirm besteht aus Glas und kann zerbrechen, wenn er unsachgemäß behandelt wird oder der Computer auf den Boden fällt. Wenn der Bildschirm beschädigt ist und die darin befindliche Flüssigkeit in Kontakt mit Haut und Augen gerät, sollten die betroffenen Stellen mindestens 15 Minuten mit Wasser abgespült und bei Beschwerden anschließend ein Arzt aufgesucht werden.

Nel caso che caso l'LCD si dovesse rompere ed il liquido in esso contenuto entrasse in contatto con gli occhi o le mani, lavare immediatamente le parti interessate con acqua corrente per almeno 15 minuti; poi consultare un medico se i sintomi dovessero permanere.

Si la LCD se rompe y el fluido de su interior entra en contacto con sus ojos o sus manos, lave inmediatamente las áreas afectadas con agua durante 15 minutos como mínimo. Obtenga atención medica si se presenta algún síntoma del fluido despues de lavarse.



### **Safety Notice 6**

To avoid shock, do not remove the plastic cover that surrounds the lower portion of the inverter card.

Afin d'éviter tout risque de choc électrique, ne retirez pas le cache en plastique protégeant la partie inférieure de la carte d'alimentation.

Aus Sicherheitsgründen die Kunststoffabdeckung, die den unteren Teil der Spannungswandlerplatine umgibt, nicht entfernen.

Per evitare scosse elettriche, non rimuovere la copertura in plastica che avvolge la parte inferiore della scheda invertitore.

Para evitar descargas, no quite la cubierta de plástico que rodea la parte baja de la tarjeta invertida.

### **Safety Notice 7**

Though main batteries have low voltage, a shorted or grounded battery can produce enough current to burn combustible materials or personnel.

Bien que le voltage des batteries principales soit peu élevé, le court-circuit ou la mise à la masse d'une batterie peut produire suffisamment de courant pour brûler des matériaux combustibles ou causer des brûlures corporelles graves.

Obwohl Hauptbatterien eine niedrige Spannung haben, können sie doch bei Kurzschluß oder Erdung genug Strom abgeben, um brennbare Materialien zu entzünden oder Verletzungen bei Personen hervorzurufen.

Sebbene le batterie di alimentazione siano a basso voltaggio, una batteria in corto circuito o a massa può fornire corrente sufficiente da bruciare materiali combustibili o provocare ustioni ai tecnici di manutenzione.

Aunque las baterías principales tienen un voltaje bajo, una batería cortocircuitada o con contacto a tierra puede producir la corriente suficiente como para quemar material combustible o provocar quemaduras en el personal.

### **Safety Notice 8**

Before removing any FRU, power-off the computer, unplug all power cords from electrical outlets, remove the battery pack, then disconnect any interconnecting cables.

Avant de retirer une unité remplaçable en clientèle, mettez le système hors tension, débranchez tous les cordons d'alimentation des socles de prise de courant, retirez la batterie et déconnectez tous les cordons d'interface.

Die Stromzufuhr muß abgeschaltet, alle Stromkabel aus der Steckdose gezogen, der Akku entfernt und alle Verbindungskabel abgenommen sein, bevor eine FRU entfernt wird.

Prima di rimuovere qualsiasi FRU, spegnere il sistema, scollegare dalle prese elettriche tutti i cavi di alimentazione, rimuovere la batteria e poi scollegare i cavi di interconnessione.

Antes de quitar una FRU, apague el sistema, desenchufe todos los cables de las tomas de corriente eléctrica, quite la batería y, a continuación, desconecte cualquier cable de conexión entre dispositivos.

## Safety Information

The following section contains the safety information that you need to be familiar with before servicing an IBM mobile computer.

### General Safety

Follow these rules to ensure general safety:

- Observe good housekeeping in the area of the machines during and after maintenance.
- When lifting any heavy object:
  1. Ensure you can stand safely without slipping.
  2. Distribute the weight of the object equally between your feet.
  3. Use a slow lifting force. Never move suddenly or twist when you attempt to lift.
  4. Lift by standing or by pushing up with your leg muscles; this action removes the strain from the muscles in your back. *Do not attempt to lift any objects that weigh more than 16 kg (35 lb) or objects that you think are too heavy for you.*
- Do not perform any action that causes hazards to the customer, or that makes the equipment unsafe.
- Before you start the machine, ensure that other service representatives and the customer's personnel are not in a hazardous position.
- Place removed covers and other parts in a safe place, away from all personnel, while you are servicing the machine.
- Keep your tool case away from walk areas so that other people will not trip over it.
- Do not wear loose clothing that can be trapped in the moving parts of a machine. Ensure that your sleeves are fastened or rolled up above your elbows. If your hair is long, fasten it.
- Insert the ends of your necktie or scarf inside clothing or fasten it with a nonconductive clip, approximately 8 centimeters (3 inches) from the end.
- Do not wear jewelry, chains, metal-frame eyeglasses, or metal fasteners for your clothing.

**Attention:** Metal objects are good electrical conductors.
- Wear safety glasses when you are: hammering, drilling, soldering, cutting wire, attaching springs, using solvents, or working in any other conditions that might be hazardous to your eyes.
- After service, reinstall all safety shields, guards, labels, and ground wires. Replace any safety device that is worn or defective.

- Reinstall all covers correctly before returning the machine to the customer.

## Electrical Safety

Observe the following rules when working on electrical equipment.

### Important

Use only approved tools and test equipment. Some hand tools have handles covered with a soft material that does not insulate you when working with live electrical currents. Many customers have, near their equipment, rubber floor mats that contain small conductive fibers to decrease electrostatic discharges. Do not use this type of mat to protect yourself from electrical shock.

- Find the room emergency power-off (EPO) switch, disconnecting switch, or electrical outlet. If an electrical accident occurs, you can then operate the switch or unplug the power cord quickly.
- Do not work alone under hazardous conditions or near equipment that has hazardous voltages.
- Disconnect all power before:
  - Performing a mechanical inspection
  - Working near power supplies
  - Removing or installing main units
- Before you start to work on the machine, unplug the power cord. If you cannot unplug it, ask the customer to power-off the wall box that supplies power to the machine and to lock the wall box in the off position.
- If you need to work on a machine that has exposed electrical circuits, observe the following precautions:
  - Ensure that another person, familiar with the power-off controls, is near you.

**Attention:** Another person must be there to switch off the power, if necessary.
  - Use only one hand when working with powered-on electrical equipment; keep the other hand in your pocket or behind your back.

**Attention:** There must be a complete circuit to cause electrical shock. By observing the above rule, you may prevent a current from passing through your body.
  - When using testers, set the controls correctly and use the approved probe leads and accessories for that tester.

- Stand on suitable rubber mats (obtained locally, if necessary) to insulate you from grounds such as metal floor strips and machine frames.

Observe the special safety precautions when you work with very high voltages; these instructions are in the safety sections of maintenance information. Use extreme care when measuring high voltages.

- Regularly inspect and maintain your electrical hand tools for safe operational condition.
- Do not use worn or broken tools and testers.
- Never assume that power has been disconnected from a circuit. First, check that it has been powered-off.
- Always look carefully for possible hazards in your work area. Examples of these hazards are moist floors, nongrounded power extension cables, power surges, and missing safety grounds.
- Do not touch live electrical circuits with the reflective surface of a plastic dental mirror. The surface is conductive; such touching can cause personal injury and machine damage.
- Do not service the following parts with the power on when they are removed from their normal operating places in a machine:
  - Power supply units
  - Pumps
  - Blowers and fans
  - Motor generators

and similar units. (This practice ensures correct grounding of the units.)

- If an electrical accident occurs:
  - **Use caution; do not become a victim yourself.**
  - **Switch off power.**
  - **Send another person to get medical aid.**

## **Safety Inspection Guide**

The intent of this inspection guide is to assist you in identifying potentially unsafe conditions on these products. Each machine, as it was designed and built, had required safety items installed to protect users and service personnel from injury. This guide addresses only those items. However, good judgment should be used to identify potential safety hazards due to attachment of non-IBM features or options not covered by this inspection guide.

If any unsafe conditions are present, you must determine how serious the apparent hazard could be and whether

you can continue without first correcting the problem. Consider these conditions and the safety hazards they present:

- Electrical hazards, especially primary power (primary voltage on the frame can cause serious or fatal electrical shock).
- Explosive hazards, such as a damaged CRT face or bulging capacitor.
- Mechanical hazards, such as loose or missing hardware.

The guide consists of a series of steps presented in a checklist. Begin the checks with the power off, and the power cord disconnected.

Checklist:

1. Check exterior covers for damage (loose, broken, or sharp edges).
2. Power-off the computer. Disconnect the power cord.
3. Check the power cord for:
  - a. A third-wire ground connector in good condition. Use a meter to measure third-wire ground continuity for 0.1 ohm or less between the external ground pin and frame ground.
  - b. The power cord should be the appropriate type as specified in the parts listings.
  - c. Insulation must not be frayed or worn.
4. Remove the cover.
5. Check for any obvious non-IBM alterations. Use good judgment as to the safety of any non-IBM alterations.
6. Check inside the unit for any obvious unsafe conditions, such as metal filings, contamination, water or other liquids, or signs of fire or smoke damage.
7. Check for worn, frayed, or pinched cables.
8. Check that the power-supply cover fasteners (screws or rivets) have not been removed or tampered with.

## **Handling Electrostatic Discharge-Sensitive Devices**

Any computer part containing transistors or integrated circuits ( ICs) should be considered sensitive to electrostatic discharge (ESD). ESD damage can occur when there is a difference in charge between objects. Protect against ESD damage by equalizing the charge so that the machine, the part, the work mat, and the person handling the part are all at the same charge.

## Notes:

1. Use product-specific ESD procedures when they exceed the requirements noted here.
2. Make sure that the ESD protective devices you use have been certified (ISO 9000) as fully effective.

When handling ESD-sensitive parts:

- Keep the parts in protective packages until they are inserted into the product.
- Avoid contact with other people.
- Wear a grounded wrist strap against your skin to eliminate static on your body.
- Prevent the part from touching your clothing. Most clothing is insulative and retains a charge even when you are wearing a wrist strap.
- Use the black side of a grounded work mat to provide a static-free work surface. The mat is especially useful when handling ESD-sensitive devices.
- Select a grounding system, such as those listed below, to provide protection that meets the specific service requirement.

**Note:** The use of a grounding system is desirable but not required to protect against ESD damage.

- Attach the ESD ground clip to any frame ground, ground braid, or green-wire ground.
- Use an ESD common ground or reference point when working on a double-insulated or battery-operated system.
- You can use coax or connector-outside shells on these systems.
- Use the round ground-prong of the AC plug on AC-operated computers.

## Grounding Requirements

Electrical grounding of the computer is required for operator safety and correct system function. Proper grounding of the electrical outlet can be verified by a certified electrician.

## Laser Compliance Statement

Some IBM Personal Computer models are equipped from the factory with an optical drive, such as CD-ROM, DVD-ROM, CD-R/W and DVD/CD-RW combo drive. Optical drives are also sold separately as options. The optical drive is a laser product. The optical drive is certified in the U.S. to conform to the requirements of the Department of Health and Human Services 21 Code of Federal Regulations (DHHS 21 CFR) Subchapter J for

Class 1 laser products. Elsewhere, the drive is certified to conform to the requirements of the International Electrotechnical Commission (IEC) 825 and CENELEC EN 60 825 for Class 1 laser products.

When an optical drive is installed, note the following.



**CAUTION:**

**Use of controls or adjustments or performance of procedures other than those specified herein might result in hazardous radiation exposure.**

**O uso de controles, ajustes ou desempenho de procedimentos diferentes daqueles aqui especificados pode resultar em perigosa exposição à radiação.**

凡未在这里指明的任何控制用法、调整、行为，都会导致严重后果。

**Pour éviter tout risque d'exposition au rayon laser, respectez les consignes de réglage et d'utilisation des commandes, ainsi que les procédures décrites.**

**Werden Steuer- und Einstellelemente anders als hier festgesetzt verwendet, kann gefährliche Laserstrahlung auftreten.**

Az itt előírt eljárásoktól, beállításoktól és vezérlésektől eltérni a lézersugárzás veszélye miatt kockázatos !

**L'utilizzo di controlli, regolazioni o l'esecuzione di procedure diverse da quelle specificate possono provocare l'esposizione a**

Использование элементов настройки и выполнение процедур иных, чем указано здесь, может привести к опасному радиационному облучению.

Použitie kontrôl, úprav alebo iných vykonaní od iných výrobcov, ako je v tomto špecifikované, mohlo by mať za následok nebezpečenstvo vystavenia sa vyžiarovaniu.

**El uso de controles o ajustes o la ejecución de procedimientos distintos de los aquí especificados puede provocar la exposición a radiaciones peligrosas.**



Opening the CD-ROM drive could result in exposure to hazardous laser radiation. There are no serviceable parts inside the CD-ROM drive. **Do not open.**

Some CD-ROM drives contain an embedded Class 3A or Class 3B laser diode. Note the following.

## **DANGER**

**Laser radiation when open. Do not stare into the beam, do not view directly with optical instruments, and avoid direct exposure to the beam.**

**Radiação por raio laser ao abrir. Não olhe fixo no feixe de luz, não olhe diretamente por meio de instrumentos óticos e evite exposição direta com o feixe de luz.**

开启时会有激光发射时，请勿盯视激光光束，请勿直接查看视觉仪器，并且避免直接接触在激光光束之中。

**Rayonnement laser si carter ouvert. Évitez de fixer le faisceau, de le regarder directement avec des instruments optiques, ou de vous exposer au rayon.**

**Laserstrahlung bei geöffnetem Gerät. Nicht direkt oder über optische Instrumente in den Laserstrahl sehen und den Strahlungsbereich meiden.**

**Kinyitáskor lézersugár ! Ne nézzen bele se szabad szemmel, se optikai eszközökkel. Kerülje a sugárnyalábbal való érintkezést !**

**Aprendo l'unità vengono emesse radiazioni laser. Non fissare il fascio, non guardarlo direttamente con strumenti ottici e evitare l'esposizione diretta al fascio.**

Открывая, берегитесь лазерного излучения. Не смотрите на луч, не разглядывайте его с помощью оптических инструментов, а также избегайте прямого воздействия лазерного луча.

Keď je laserová jednotka otvorená. Vyhnite sa priamemu pohľadu a nehládte priamo s optickými nástrojmi do lúča a vyhnite sa priamemu vystaveniu lúčov.

**Radiación láser al abrir. No mire fijamente ni examine con instrumental óptico el haz de luz. Evite la exposición directa al haz.**

---

## General Descriptions

This chapter includes descriptions for any ThinkPad model that has the PC-Doctor DOS diagnostics program. Some descriptions might not apply to your particular computer.

---

## Read this first

Before you go to the checkout guide, be sure to read this section.

### Important Notes:

- **Only certified trained personnel should service the computer.**
- **Read the entire FRU service procedures before replacing any FRUs.**
- **Use new nylon-coated screws when you replace FRUs.**
- **Be extremely careful during write operations such as copying, saving, or formatting.** Drives in the computer that you are servicing might have been rearranged or the drive startup sequence might have been altered. If you select an incorrect drive, data or programs could be overwritten.
- **Replace FRUs only for the correct model.** When you replace a FRU, make sure that the model of the machine and FRU part number are correct by referring to the FRU parts list.
- **A FRU should not be replaced because of a single, unreproducible failure.** Single failure can occur for a variety of reasons that have nothing to do with a hardware defect, such as: cosmic radiation, electrostatic discharge, or software error. FRU replacement should be considered only when a recurring problem exists. In this case, clear the error log and run the test again. Do not replace FRUs if log errors do not reappear.
- **Be careful not to replace a non-defective FRU.**

## What to do first

The servicer must include the following in the parts exchange form or parts return form that is attached to the returned FRU:

1. Name and phone number of servicer
2. Date of service
3. Date when part failed
4. Date of purchase
5. Failure symptoms, error codes appearing on display, and beep symptoms
6. Procedure index and page number in which failing FRU was detected
7. Failing FRU name and part number
8. Machine type, model number and serial number
9. Customer's name and address

Before checking problems with the computer, determine whether the damage is covered under the warranty by referring to the following:

**Note for Warranty:**

**For Warranty:**

During the warranty period, the customer may be responsible for repair costs if the computer damage was caused by misuse, accident, modification, unsuitable physical or operating environment, or improper maintenance by the customer. The following list provides some common items that are not covered under warranty and some symptoms that may indicate the system was subjected to stresses beyond normal use.

**The following is not covered under warranty:**

- LCD panel cracked by applying excessive force or by being dropped.
- Scratched (cosmetic) parts.
- Cracked or broken plastic parts, broken latches, broken pins, or broken connectors caused by excessive force.
- Damage caused by liquid spilled into the system.
- Damage caused by improperly inserting a PC Card or installation of an incompatible card.
- Damage caused by foreign material in the FDD.
- Diskette drive damage caused by pressing the diskette drive cover or inserting diskettes with multiple labels.
- Damaged or bent diskette drive eject button.
- CD-ROM/DVD-ROM drive damage caused by excessive force, shock, or by being dropped.
- Fuses blown by attaching a nonsupported device.
- Forgotten computer password (making the computer unusable).

**The following symptoms might indicate damage caused by non-warranted activities:**

- Missing parts may be a symptom of unauthorized service or modification.
- HDD spindles can become noisy if subjected to excessive force or by being dropped.
- I9990303 errors can be caused by exposure to strong magnetic fields.

---

## FRU replacement notices

This section contains notices for removal and replacement. Read this section carefully before replacing any FRU.

### LCD replacement notice

The TFT LCD for the computer contains many thin-film transistors (TFTs). A small number of missing, discolored, or lighted dots (on all the time) is characteristic of TFT LCD technology, but excessive pixel problems can cause viewing concerns. The LCD should be replaced if the number of missing, discolored, or lighted dots in any background is:

- XGA : 8 or more bright dots, 8 or more dark dots, or a total of 9 or more bright and dark dots.

### Screw notices

This computer uses special nylon-coated screws with the following characteristics:

- They maintain tight connections.
- They do not easily come loose, even with shock or vibration.
- They need additional force to tighten.
- They should be used only once.

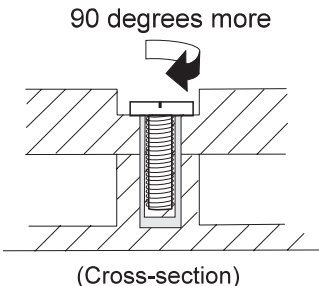
Do the following when you service this machine:

- Keep the screw kit (P/N 08K6560) in your tool bag.
- Always use new screws if you are instructed.
- Use a torque screwdriver if you have one.

Loose screws can cause a reliability problem. The IBM ThinkPad computer addresses this problem with nylon-coated screws. Tighten screws as follows:

- Plastic to plastic

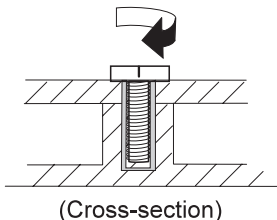
Turn an additional **90 degrees** after the screw head touches the surface of the plastic part:



- Logic card to plastic

Turn an additional **180 degrees** after the screw head touches the surface of the plastic part:

180 degrees more



- Torque driver  
If you have a torque driver, refer to the "Torque" column with each step.
- Make sure you use the correct screw, and tighten all screws firmly to the torque shown in the table if you have a torque screwdriver. **Never use a screw that you removed. Use a new one. Make sure the screws are tightened firmly.**

## System board/LCD/Inverter replacement notice

### Restoring the LCD panel ID

The EEPROM on the inverter stores its supported LCD type ID code. If you replace a LCD with one of a different brand or use a new inverter, the ID information in the inverter EEPROM should be updated.

Follow the steps below to set the LCD panel ID:

1. Install the ThinkPad CE Utility Diskette and restart the computer.
2. Select **1. LCD Panel ID Utility** from the main menu.
3. Follow the instruction on screen to read current or to set new LCD Panel ID code.
4. Restart computer : the new LCD should work normally.

**Note:** When you set a new LCD Panel ID and the new LCD is not yet enabled (to function), so connect an external CRT to see the program execution process.

### CAUTION:

**Make sure the new ID code you choose corresponds with the LCD brand and type. If you write a wrong ID into inverter, just reboot and re-execute the program and input the correct ID code.**

**Note:** If LCD cannot display after change ID code, make sure you write the correct ID code, or try reseating the LCD coaxial cable connectors.

## Thermal Sensor

The system is equipped with sensors to protect against system overheating. By setting system and processor thermal thresholds, the system can turn on the cooling fan or shut down automatically when temperatures reach the defined threshold parameters.

System experiencing frequent auto sensor shutdown may need to reset the thermal sensor threshold and execute the fan test to ensure the normal operation of the cooling fan.

Follow the steps below to set thermal threshold:

1. Install the ThinkPad CE Utility Diskette and restart the computer.
2. Select **2. Thermal Sensor Utility** from the main menu.
3. Select **1. Read Thermal Setting** to view the original setting or **2. Set Default Thermal Setting** to restore the default setting.

## UUID

The Universal Unique Identifier (UUID) is a 128-bit number uniquely assigned to your computer at production and stored in the EEPROM of your 24RF08. The algorithm that generates the unique number is designed to provide unique IDs until the year A.D. 3400. Consequently, no two computers in the world will have the same number.

When you replace the system board, you must set the UUID on the new system board as follows:

1. Install the ThinkPad CE Utility Diskette and restart the computer.
2. Select **3. UUID Data Utility** from the main menu then make a selection to read or create the UUID data.

A new UUID is created and written. If a valid UUID already exists, it is not overwritten.

---

## Related service information

This section provides information about the following:

- “Power button as reset switch”
- “Running a low-level format”
- “Service Web site”
- “Passwords”
- “Power management features” on page 28
- “Fn key combinations” on page 30
- “Product recovery program” on page 30

### Power button as reset switch

The power button acts as a reset switch when pressed for more than 4 seconds. This resets the system (regardless of the microcode status) and forces the power off. Use this only when power is not completely off or the microcode is in a hung state.

### Running a low-level format

**Attention:** Make sure the drive address to be formatted is correct. This procedure erases all information on the disk.

To format the hard disk, select **Utility**, and then use the **Full Erase Hard Drive** or **Quick Erase Hard Drive** in Utility of the PC-Doctor for DOS program. Refer to “Testing the computer” on page 34.

### Service Web site

When the latest maintenance diskette and system program service diskette are available, they are posted on:

**Maintenance diskette:**

<http://www.pc.ibm.com/partner/infotips>

**System program service diskette:**

<http://www.pc.ibm.com/us/files.html> or

<http://www.pc.ibm.com/qtechinfo/TPAD-MATRIX.html>

### Passwords

When the power-on password (POP), hard disk password (HDP), and supervisor password (SVP) are used, the following situations may occur:

- **If the POP is the same as the HDP**, the POP prompt appears, but the HDP prompt does not appear.
- **If the POP is not the same as the HDP**, both prompts appear.
- **When SVP is set**, POST should invoke BIOS setup without erasing POP. Before entering BIOS setup SVP



will be prompted. If correct SVP is entered, POST enters BIOS setup without erasing POP. To boot up the system user should override POP by SVP at the password sub-menu.

- **When SVP is not set**, POST erase the POP and then boots up the system.

### **Power-on passwords**

Power-on password is a security feature that is used to protect the system from unauthorized access. If power-on password is forgotten, follow the procedure described in "Removing the Power-on password".

### **Supervisor password**

A supervisor password (SVP) protects the system information stored in the IBM BIOS Setup Utility . The SVP must be entered in order to access the IBM BIOS Setup Utility and make changes to system configuration settings.

**Attention:** If the SVP has been forgotten and cannot be made available to the servicer, there is no service procedure to reset the password. The system board must be replaced for a scheduled fee.

### **Removing the power-on password**

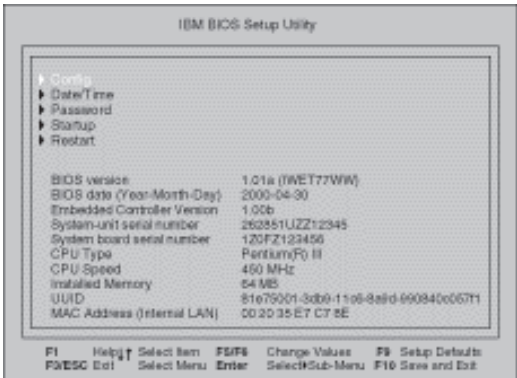
If the customer forgets the power-on password, follow this procedure to erase POP if SVP is not set:

1. Turn off the system.
2. Set DIP SW "Switch Locations" on page 193.
3. Turn on the system, and confirm the system starts without prompting for Power-on password.
4. Turn off the system.
5. Set DIP SW "Switch Locations" on page 193.

If SVP is set, do the followings to erase POP:

1. Power on the computer and press **F1** to enter the BIOS Utility menu.
2. Enter correct SVP (Supervisor password) at the password prompt.

3. The main screen displays as below:



4. Using the up or down arrow key, select **Password**.
5. Press the **Enter** key.  
The following submenu is displayed:
  - \* Power-On password
  - \* Supervisor password
  - \* Lock BIOS setting
  - \* Hard disk x password
6. Select **Power-On password** and press **Enter** .
7. Type in correct SVP at "**Enter Current Password**" and press **Enter**.
8. Press **Enter** at "**Enter New Password**".
9. Press **Enter** at "**Confirm New Password**".
10. Press **Enter** in the Changes have been saved window.
11. Press **F10**; then select **Yes** in the Setup confirmation window.

## Hard disk password

The hard disk password is a security feature that is used to protect the hard disk data from unauthorized access.

**Attention:** If the hard disk password is forgotten, IBM does not provide any services to reset the hard drive password nor recover data from the hard drive. The hard drive can be replaced for a scheduled fee.

## Power management features

Power management modes are available in the computer system to reduce power consumption and to prolong battery life.

## Standby mode

When in standby mode, the following occurs:

- The LCD backlight turns off.
- The hard disk motor either spins down or stops (controlled by OS).
- Suspend LED turns on.

Events that cause the computer to enter standby mode:

**Note:** These events depend on the **Power button, Sleep button and Lid** settings (options set to standby mode) in the "Advanced" page of the "Power Management Properties" screen.

- Standby requested by the Sleep button (Fn+F4)
- Standby requested by the power button
- Standby requested by closing the lid.

Events that cause the computer to exit standby mode:

- RTC alarm
- Power-on switch is operated
- Fn key is pressed
- The LCD is opened (if the system entered standby mode from closing the lid).

**Note:** This is true if **When I close the lid of my portable computer:** is set to **Standby** in the "Advanced" page of the "Power Management Properties" screen.

- An embedded modem signals the modem ring indicator
- The battery power is at a critical level.

## Display off mode

When in display off mode, the following occur:

- The LCD backlight turns off.

Events that cause the computer to enter display off mode:

- Hotkey : Fn+F3

Events that cause the computer to exit display off mode:

- Anykey or mouse operation

## Hibernation mode

When in hibernation mode, the following occurs:

- The system status, RAM, VRAM, and setup data are stored on the hard disk.
- The system is powered off.

Events that cause the computer to enter hibernation mode:

**Note:** These events depend on the **Power button, Sleep button and Lid** settings (options set to hibernate mode) in the "Advanced" page of the "Power Management Properties" screen.

- Hibernation requested by the Sleep button (Fn+F4) or (Fn+F12)
- Hibernation requested by the power button
- Hibernation requested by closing the lid.

Events that cause the computer to exit hibernation mode:

- RTC alarm
- Power-on switch is operated
- WOL (wake on Lan)

When power is turned on, the hibernation history in the boot record on the hard disk is recognized and the system status is restored from the hard disk to resume operation.

## Fn key combinations

The following table shows the Fn key and function key combinations and their corresponding functions. Some of the keys do not work if proper device drivers and utilities are not installed.

Fn key	Function
Fn+F3	Display off
Fn+F4	Sleep button
Fn+F7	Switch display output location.
Fn+F8	Display expansion
Fn+F12	Hibernation
Fn+PageUp	Thinkpad light
Fn+Home	Brightness up
Fn+End	Brightness down

## Product recovery program

### Restoring the Pre-installed Software

To restore the pre-installed software, you can use either the Product Recovery program or a Recovery CD. The Product Recovery program is in a section of the hard disk drive (the Service Partition) that is not displayed by Windows Explorer. Use the Recovery CD if it was provided with the computer.

**Note:** The recovery process might take up to 2 hours.

**To use the Product Recovery program to restore the pre-installed software, do the following:**

1. Save all files and shut down the desktop.
2. Turn off the computer.
3. Turn on the computer. Quickly press **F11** when this message is displayed on the screen: ...**"To start the Product Recovery program, press F11"** .....This message is displayed for only a few seconds.

**Note:** If this message does not appear, you can use a Recovery Repair diskette to get access to the Product Recovery program.(see“Creating a Recovery Repair diskette” on page 32 for instructions for making the Recovery Repair diskette)

4. From the list displayed on the screen, select the operating system you want to recover.
5. Select the recovery options you want, and follow the instructions on the screen.

## Creating the Service Partition

To create Service Partition and install the preloaded system from Recovery CD, do the following;

### To create Service Partition [SP]:

1. Erase all partitions on the hard-disk drive using FDISK or similar application.
2. Boot with Recovery CD (and boot diskette if required).
3. A menu will appear stating **"Your computer originally included a Product Recovery program ... Reinstall the Product Recovery Program? (Y/N) [ ]"**.

**Note:** If the hard-disk drive contains any partitions, you will not receive this menu - go to step 1.

4. Enter **"Y"** and Service Partition will be created and loaded with D2D files.

**Note:** If you do not want to create Service Partition, press **"N"** , and the d then go to step 8.

5. Press **"Enter"** at next window to continue.

\* Service Partition will be created. System will automatically reboot during this process.

\* Recovery process will copy some files to the Service Partition, PKUNZIP others

\* Follow prompts - you may be prompted to change CDs.

\* System will reboot when complete, continue to step 6 to install preloaded system.

### Install preloaded system from CD:

6. Boot with Recovery CD (and boot diskette if required)

7. If the hard-disk drive is blank, a menu will appear stating "**Your computer originally included a Product Recovery program ... Reinstall the Product Recovery Program? (Y/N) [ ]**".
  - \* To install Service Partition, go to step 4.
  - \* To preload hard-disk drive without installing Service Partition, press "N".
8. If a menu appears asking which operating system to install, highlight proper operating system and press "**ENTER**".
9. A menu will appear stating "Full Recovery:". Press "**ENTER**" to select.
10. Enter "Y" at the three windows which follow.
11. Follow prompts to complete Recovery.

### **Creating a Recovery Repair diskette**

The Recovery Repair diskette is used to recover the prompt that is needed to access the Product Recovery program, if the prompt does not appear. Make a Recovery Repair diskette and save it for future use.

To make a Recovery Repair diskette:

1. Shut down and turn off the computer.
2. Attach the external diskette drive to the computer.
3. At the prompt, press **F11**. (The option to press **F11** appears for only a few seconds. You must press **F11** quickly.) The Product Recovery program main menu appears.
4. If you are using Windows 2000 Professional, you will be prompted to select the appropriate operating system setting. This menu does not appear for Windows 98 SE.
5. Select System Utilities from the main menu. Press **Enter**.
6. Select Create a Recovery Repair diskette. Press **Enter**.
7. Follow the on-screen instructions.
8. When the process is completed, label the diskette as the Recovery Repair diskette and save it for future use.

**To use the Recovery Repair diskette:**

1. Shut down and turn off the computer.
2. Attach the external diskette drive to the computer.
3. Insert the Recovery Repair diskette into the drive; then turn on the computer.
4. Follow the on-screen instructions.

## Flash BIOS

Please do the following to update BIOS.

To update BIOS:

1. Create the diskette image by the following command:  
**LOADDSKF 1FUDxxUS.DSK A:**

**Note: XX:** Translate to appropriate number.

2. Boot from the diskette. (Please make sure already attach AC and Battery)
3. When completed, the system is automatically turned off.
4. Make sure there is no diskette in the diskette drive, then turn on the computer.
5. Press **F1** key into BIOS setup Utility during the boot time.

**Note:** "Press **F1** for IBM BIOS Setup Utility" message is displayed at the lower-left area of the screen.

6. Press the **F9** key to load default configuration.
7. Select **Yes**.
8. Press the **F10** key to save default configuration.
9. Select **Yes**. The system will restart automatically.

---

## Checkout guide

Use the following procedure as a guide for computer problems.

**Note:** The diagnostic tests are intended to test only IBM products. Non-IBM products, prototype cards, or modified options can give false errors and invalid system responses.

1. Obtain the failing symptoms in as much detail as possible.
2. Verify the symptoms by attempting to recreate the failure by running the diagnostic test or by repeating the same operation.

## Testing the computer

The ThinkPad computer has a test program called PC-Doctor DOS (hereafter called *PC-Doctor*). You can detect errors by running the diagnostics test of PC-Doctor. This section is an overview on detecting the problem. Refer to “Product overview” on page 102 for details that depend on model-unique functions.

To run the test, do the following:

**Note:** In the following procedure, you can select an item not only with the arrow keys, but also with the TrackPoint. Instead of pressing **Enter**, you also can click the left click button.

1. Insert the PC-Doctor DOS Disk into the diskette drive; then power on the computer.

If the computer cannot be powered on, go to “Power systems checkout” on page 36 and check the power sources.

If an error code appears, go to “Symptom-to-FRU Index” on page 40.

The PC-Doctor main panel appears.

2. Select **Diagnostics** with the arrow keys, and press **Enter**.

A pull-down menu appears:

**Note:** The pull-down menu differs depending on the model.

3. Run the applicable function test.
4. Follow the instructions on the screen. If there is a problem, PC-Doctor shows some messages.
5. Reseat the cable or connector of the detected FRU and run the test again.



If the error recurs, replace the FRU that caused the error.

**Note:** With some FRUs, especially the system board, the problem may be caused by peripheral FRUs. Verify that each peripheral FRU, such as the flexible cable, has no problem by doing the following:

- a. Replace each peripheral FRU one at a time, and run the test again.
- b. If the peripheral FRUs have no problem, replace the main FRU itself.

To see the FRU structure of each model, refer to “Product overview” on page 102.

6. To exit the test, select **Quit – Exit Diag**.

To cancel the test, press **Esc**.

The following table lists the options on the test menu.

<b>Diagnostics</b>	<b>Interactive Tests</b>
<ul style="list-style-type: none"><li>• Run Normal Test</li><li>• Run Quick Test</li><li>• CPU/Coprocessor</li><li>• Systemboard</li><li>• Video Adapter</li><li>• Serial Port</li><li>• Parallel Port</li><li>• Fixed Disks</li><li>• Diskette Drives</li><li>• Other Devices</li><li>• Wireless network controller (802.11b)</li><li>• Memory Test – Full</li><li>• Memory Test – Quick</li></ul>	<ul style="list-style-type: none"><li>• Keyboard</li><li>• Video</li><li>• Internal Speaker</li><li>• Mouse</li><li>• Joystick Test</li><li>• Diskette Test</li><li>• System Load</li><li>• CD-ROM/DVD</li><li>• Stereo Speaker</li></ul>
<p><b>Note:</b> In <b>Keyboard</b> test within <b>Interactive Tests</b>, the <b>Fn</b> key is scanned only once. Each key should be pressed for at least 2 seconds; otherwise, it cannot be sensed.</p>	

## Related service information

PC-Doctor can detect the following system information:

### Hardware Info:

- System Configuration
- Memory Contents
- Physical Disk Drive
- Logical Disk Drive

- VGA Information
- IDE Drive Information
- PCI Information
- PNPISA Information
- SMBIOS Information
- FRU Information
- VESA LCD Information

### **Utility:**

- Run External Tests
- Surface Scan Hard Disk
- Benchmark System
- DOS Shell
- Tech Support Form
- Battery Rundown
- View Test Log
- Print Log
- Save Log
- Full Erase Hard Drive
- Quick Erase Hard Drive

## **Power systems checkout**

To verify the symptom of the power problem on the computer, do the following:

1. Power off the computer.
2. Remove the battery pack.
3. Connect the AC Adapter.
4. Check that power is supplied when you power on the computer.
5. Power off the computer.
6. Disconnect the AC Adapter and install the charged battery pack.
7. Check that power is supplied by the battery pack when you power on the computer.

If you suspect a power problem, refer the appropriate power supply check listed below:

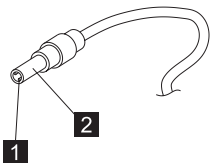
- “Checking the AC Adapter”
- “Checking operational charging” on page 37
- “Checking the Battery ASM” on page 38

### **Checking the AC Adapter**

You care here because the computer fails only when the AC Adapter is used:

- If the power-on indicator does not turn on, check the power cord of the AC Adapter for correct continuity and installation.
- If the operational charge does not work, go to “Checking operational charging”.

Unplug the AC Adapter cable from the computer and measure the output voltage at the plug of the AC Adapter cable. See the following figure:



Pin	Voltage (V dc)
1	15.5 V. - 17.0 V.
2	Ground

If the voltage is not correct, replace the AC Adapter.

If the voltage is within the range, do the following:

- Replace the system board.
- If the problems still persist, go to “Undetermined Problems” on page 49.

**Note:** An audible noise from the AC Adapter does not always indicate a defect.

### Checking operational charging

To check operational charging, use a discharged battery pack (Battery ASM) or a Battery ASM that has less than 50% of the total power remaining when installed in the computer.

Perform operational charging. If the battery status indicator or icon does not turn on, remove the Battery ASM and let it return to room temperature. Reinstall the Battery ASM. If the charge indicator or icon still does not turn on, replace the Battery ASM.

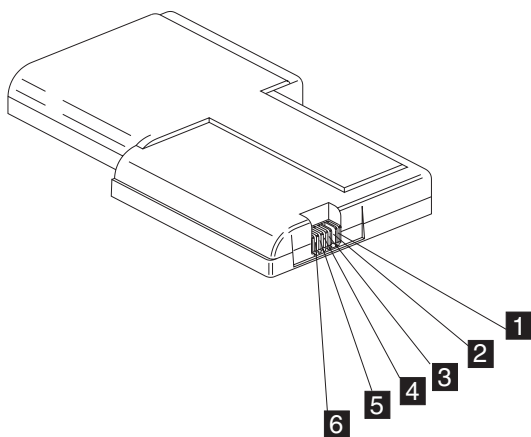
If the charge indicator still does not turn on, replace the system board. Then reinstall the Battery ASM. If the reinstalled Battery ASM is not charged, go to the next section.

## Checking the Battery ASM

**Note:** The Battery ASM may not be able to charged when it is hot. In that case, remove it from the computer and leave it at room temperature for a while. After it cools down, reinstall it and recharge it.

Do the following:

1. Power off the computer.
2. Remove the battery pack and measure the voltage between battery terminals 1 (+) and 6 (-). See the following figure.



Terminal	Pin No.	Description
1	1	+0 to +12.6 for LiION +0 to +13V for NiMH
2	Slit	Isolation slit
3	4	Thermistor
4	5	Battery —

**Note:** Signal lines, not used in these steps, are used for communications between the system and the battery.

3. If the voltage is less than +11.0 V dc, the battery pack has been discharged. Note: Recharging will take at least 3 hours, even if the indicator does not turn on. If the voltage is still less than +11.0 V dc after recharging, replace the battery.
4. If the voltage is more than 8V for NiMH, 9V for LiION, measure the resistance between battery terminals 5 and 6. The resistance must be 4 to 30K $\Omega$ . If the

resistance is not correct, replace the Battery ASM. If the resistance is correct, replace the system board.

---

## Symptom-to-FRU Index

The Symptom-to-FRU Index lists the symptoms and errors and the possible causes. The most likely cause is listed first.

**Note:** Perform the FRU replacement or actions in the sequence shown in the FRU/Action columns. If a FRU does not solve the problem, put the original part back in the computer. Do not replace a non-defective FRU.

This index can also be used to help you decide which FRUs should be available when servicing a computer.

Numeric error codes show the errors detected in POST or system operation (runtime). In the following error codes, X can be any number.

If no codes are available, use narrative symptoms.

If the symptom, is not listed, go to “Undetermined Problems” on page 49.

**Note:** For any IBM device not supported by the diagnostic codes in this ThinkPad computer, see the manual for that device.

## Numeric Error Codes and Messages

Error Code	Message	Meanings	Comment
0200	Failure Fixed Disk	Fixed disk is not working or not configured properly. Check to see if fixed disk is attached properly. Run setup. Find out if the fixed-disk type is correctly identified.	Check whether fixed disk is attached properly (e.g. cable, jumper, power,..). Enter Setup to check if the fixed disk type is correctly identified.
010	Memory Error at mmmm: nnnn	Extended memory not working or not configured properly at offset nnnn,	Change memory module.

<b>Error Code</b>	<b>Message</b>	<b>Meanings</b>	<b>Comment</b>
0250	System battery is dead Replace and run SETUP	The CMOS clock battery indicator shows the battery is dead. Replace the battery and run Setup to reconfigure the system.	Replace the CMOS battery and Run Setup to reconfigure the system.
0251	System CMOS checksum bad-default configuration	System CMOS has been corrupted or modified incorrectly, perhaps by an application program that changes data stored in CMOS. The BIOS installed Default Setup Values. If you do not want these values, enter Setup and enter your own values. If the error persists, check the system battery or contact your dealer.	Enter Setup to configure the system. If the error persists, check the system battery.
0270	Real time clock error	Real-Time Clock fails BIOS hardware test. May require board repair.	The mainboard may need the system date and time.
0271	Check date and time settings	BIOS found date or time out of range and reset the Real-Time Clock. May require setting legal date (1991–2099).	Enter Setup to reconfigure the system date and time.

<b>Error Code</b>	<b>Message</b>	<b>Meanings</b>	<b>Comment</b>
0280	Previous boot incomplete-Default configuration used	Previous POST did not complete successfully. POST loads default values and offers to run Setup. If the failure was caused by incorrect values and they are not corrected, the next boot will likely fail. On system with control of wait states, improper Setup settings can also terminate POST and cause this error on the next boot. Run Setup and verify that wait-state configuration is correct. This error is cleared the next time the system is booted.	IBM customized not to display this message.
041 043	Floppy drive A error  Floppy drive B error	Drive A: or B: is present but fails the BIOS POST diskette tests. Check to see that the drive is defined with the proper diskette type in Setup and that the diskette drive is attached correctly.	Check Floppy drive is attached correctly. Enter Setup to check the type of floppy drive is correct (1.44MB 3.5", for example).
0175	Bad CRC1, stop POST task	EEPROM CRC1 is not correct (block #6).	Replace planar.
0188	Invalid RFID Serialization Information Area or Bad CRC2	EEPROM checksum is not correct (block #0,1).EEPROM CRC2 is not correct (block #6).	Replace planar. Box serial number needs to be reinstalled.
0189	Invalid RFID Configuration Information Area	EEPROM checksum is not correct (block #4,5).	Replace planar. UUID needs to be reinstalled.



Error Code	Message	Meanings	Comment
0193	RF antenna had been removed	RFID antenna has been removed, which was once installed.	RFID model only.
0194	The computer is carried through the security gate	The computer is carried through the security gate (portal gate).	RFID model only.
0197	Invalid remote change requested	The remote configuration for the security chip has failed. Confirm the operation and try again.	System go into BIOS Setup automatically.

## Beep Symptoms

Event	Description	S1/S3	Beep
POST			
Diagnostic boot	End Diagnostic boot	N/A	1 short beep
Post error		N/A	3 short beeps
Low battery warning beep		N/A	4 short beeps
Critical Thermal	System POST	N/A	3 long beeps
DRAM type error	PC133 SDRAM only	N/A	2 long beeps

Responses of Boot Block BIOS Flash	Success	N/A	2 long, 1 short, and then 1 long beep
	BIOS file size mismatch	N/A	1 long, 1 short beep
	BIOS file reading error	N/A	1 long, 2 short beeps
	Floppy drive not installed	N/A	2 short beeps
Run Time / Sleep state			
BaySwap alarm	Inhibit bay swap	Yes	Continuous 2 short, 1 long beeps .
AC attach/detach		NO	1 short beep
Power Control Beep	System enters / resume from S1/S3/S4 state.	N/A	1 short beep
Volume control beep	Volume key Up/Down	N/A	1 short beep

## LCD-Related Symptoms

### LCD FRU Replacement Notice

The TFT LCD for the computer contains many thin-film transistors (TFTs). A small number of missing, discolored, or lighted dots (on all the time) is characteristic of TFT LCD technology, but excessive pixel problems can cause viewing concerns. The LCD should be replaced if the number of missing, discolored, or lighted dots in any background is:

- XGA : 8 or more bright dots, 8 or more dark dots, or a total of 9 or more bright and dark dots.

Symptom/Error	FRU/Action in Sequence
<p>LCD backlight does not work.</p> <p>LCD is too dark.</p> <p>LCD brightness cannot be adjusted.</p>	<ul style="list-style-type: none"> <li>• Keyboard (if contrast and brightness function keys do not work)</li> <li>• Reseat LCD connector</li> <li>• Check LCD inverter ID</li> <li>• LCD Cable ASM</li> <li>• LCD Inverter/LED board (13.3"/14.1")</li> <li>• LCD</li> <li>• System board</li> </ul>
<p>Unreadable LCD screen.</p> <p>Missing pixels in characters.</p> <p>Abnormal screen</p> <p>Wrong color displayed.</p>	<ul style="list-style-type: none"> <li>• Reseat LCD connector</li> <li>• Check LCD inverter ID</li> <li>• LCD Cable ASM</li> <li>• LCD Inverter/LED board (13.3"/14.1")</li> <li>• LCD</li> <li>• System board</li> </ul>
<p>LCD has extra horizontal or vertical lines displayed.</p>	<ul style="list-style-type: none"> <li>• Check LCD inverter ID</li> <li>• LCD Cable ASM</li> <li>• LCD Inverter/LED board (13.3"/14.1")</li> <li>• LCD</li> <li>• System board</li> </ul>

## Keyboard/TrackPoint-Related Symptoms

Symptom/Error	FRU/Action in Sequence
Keyboard (one or more keys) doesn't work.	<ul style="list-style-type: none"> <li>• Go to "FRU tests" on page 54.</li> <li>• Reseat keyboard cable.</li> <li>• Keyboard</li> <li>• System board</li> </ul>
TrackPoint does not work.	<ul style="list-style-type: none"> <li>• Go to "FRU tests" on page 54.</li> <li>• Reseat keyboard cable.</li> <li>• Keyboard</li> <li>• System board</li> </ul>

## Indicator-Related Symptoms

Symptom/Error	FRU/Action in Sequence
Indicator incorrectly remains off or on, but system runs correctly.	<ul style="list-style-type: none"> <li>• Reseat Inveter/LED board (13.3"/14.1")</li> <li>• Inveter/LED board (13.3"/14.1")</li> <li>• System board</li> <li>• Coaxial cable</li> </ul>

## Power-Related Symptoms

Symptom/Error	FRU/Action in Sequence
Power shuts down during operation.	<ul style="list-style-type: none"> <li>• Go to "Power systems checkout" on page 36.</li> <li>• AC Adapter</li> <li>• Battery assembly</li> <li>• Keyboard</li> <li>• System board</li> </ul>
The system doesn't power on.	<ul style="list-style-type: none"> <li>• Go to "Power systems checkout" on page 36.</li> <li>• AC Adapter</li> <li>• Battery assembly</li> <li>• Keyboard</li> <li>• System board</li> </ul>
The system doesn't power off.	<ul style="list-style-type: none"> <li>• Go to "Power systems checkout" on page 36.</li> <li>• Hold and press the power switch for more than 4 seconds.</li> <li>• Keyboard</li> <li>• System board</li> </ul>

Symptom/Error	FRU/Action in Sequence
Battery can't be charged.	<ul style="list-style-type: none"> <li>• Go to "Power systems checkout" on page 36.</li> <li>• Battery assembly</li> <li>• System board</li> </ul>

## Memory-Related Symptom

Symptom/Error	FRU/Action in Sequence
Memory count (size) appears different from the actual size. (The main memory with 8MB of VGA.)	<ul style="list-style-type: none"> <li>• Go to "FRU tests" on page 54.</li> <li>• Enter BIOS Utility and execute "Load Setup Default Settings"; then reboot the system.</li> <li>• DIMM</li> <li>• System board</li> </ul>

## Audio-Related Symptoms

Symptom/Error	FRU/Action in Sequence
Internal speakers make noise or emit no sound.	<ul style="list-style-type: none"> <li>• Speaker volume control</li> <li>• Go to "FRU tests" on page 54.</li> <li>• Speaker(s)</li> </ul>
External speakers make noise or emit no sound.	<ul style="list-style-type: none"> <li>• Speaker volume control</li> <li>• Go to "FRU tests" on page 54.</li> <li>• Speaker(s)</li> </ul>
In DOS or Windows, multimedia programs, no sound comes from the computer. (Only system beeps are heard at power-on.)	<ul style="list-style-type: none"> <li>• Speaker volume control</li> <li>• Go to "FRU tests" on page 54.</li> <li>• Speaker(s)</li> </ul>

## PC Card (PCMCIA)-Related Symptoms

Symptom/Error	FRU/Action in Sequence
System cannot detect the PC Card (PCMCIA)	<ul style="list-style-type: none"> <li>• PC Card (PCMCIA) holder assembly</li> <li>• System board</li> </ul>
PCMCIA slot pin is damaged.	PC Card (PCMCIA) holder assembly

## Power Management-Related Symptoms

Symptom/Error	FRU/Action in Sequence
The system doesn't enter hibernation mode.	<ul style="list-style-type: none"> <li>Go to "Hibernation mode" on page 29.</li> <li>Boot an operating system and press <b>Fn+F12</b> and see if the computer enters hibernation mode.</li> <li>Keyboard</li> <li>Hard disk drive connector</li> <li>Hard disk drive</li> <li>System board</li> </ul>
The system doesn't resume from hibernation mode.	<ul style="list-style-type: none"> <li>Go to "Hibernation mode" on page 29.</li> <li>Hard disk drive connector</li> <li>Hard disk drive</li> <li>System board</li> </ul>
The system doesn't enter into or resume from sleep mode after closing the LCD.	<ul style="list-style-type: none"> <li>Lid switch</li> <li>System board</li> <li>Lid close action in the power operation properties of the OS</li> </ul>
System configuration does not match the installed devices.	<ul style="list-style-type: none"> <li>Enter BIOS Utility and execute "Load Setup Default Settings"; then reboot the system.</li> <li>Reseat Hard disk/diskette/CD-ROM drive connector.</li> </ul>
System hangs intermittently.	<ul style="list-style-type: none"> <li>Reseat hard disk/diskette/CD-ROM drive connector.</li> <li>Fan ASM (go to "FRU tests" on page 54).</li> <li>System board</li> </ul>

## Peripheral-Device-Related Symptoms

Symptom/Error	FRU/Action in Sequence
External display does not work correctly.	<ul style="list-style-type: none"> <li>Both display mode, press Fn+F7.</li> <li>System board</li> </ul>
Printer problems.	<ul style="list-style-type: none"> <li>Run printer self-test.</li> <li>Printer driver</li> <li>Printer cable</li> <li>Ensure that "Parallel Port" in the "Config sub-menu" menu of the BIOS Utility is correctly set.</li> <li>System board</li> </ul>

Symptom/Error	FRU/Action in Sequence
Parallel port device problems.	<ul style="list-style-type: none"> <li>• Device driver</li> <li>• Device cable</li> <li>• Device</li> <li>• Ensure that "Parallel Port" in the "Config sub-menu" menu of the BIOS Utility is correctly set.</li> <li>• System board</li> </ul>

## Modem-Related Symptom

Symptom/Error	FRU/Action in Sequence
Internal modem does not work correctly	<ul style="list-style-type: none"> <li>• Go to "FRU tests" on page 54.</li> <li>• Modem connector</li> <li>• Modem board</li> <li>• System board</li> </ul>

## Operating System-Related Symptom

Symptom/Error	FRU/Action in Sequence
Operating system not found	<ul style="list-style-type: none"> <li>• Check that the operating system has no failure and is installed correctly.</li> <li>• Check the Boot device list in the startup/Boot sub-menu is enabled on each bootable device.</li> <li>• Enter IBM BIOS Setup Utility and see whether the hard disk drive and the diskette drive are properly identified.</li> <li>• Reseat the hard disk drive.</li> <li>• Reinstall the operating system.</li> <li>• Diskette drive</li> <li>• Hard disk drive</li> <li>• System board</li> </ul>

## Intermittent Problems

Intermittent system hang problems can be caused by a variety of reasons that have nothing to do with a hardware defect, such as cosmic radiation, electronic discharge, or software errors. FRU replacement should only be considered when a recurring problem exists.

When analyzing on intermittent problem, do the following:

1. Run the diagnostic test for the system board at least 10 times.
2. If no error is detected, do not replace any FRUs.
3. If any error is detected, replace the FRU. Rerun the test to verify that there are no more errors.

## Undetermined Problems

The diagnostic tests did not identify which adapter or device failed, which installed devices are incorrect, whether a short circuit is suspected, or whether the system is inoperative. Follow the procedures below to isolate the failing FRU.

Verify that the power supply being used at the time of the failure is operating correctly.

1. Power off the computer.
2. Check the cables, wires, and connectors for short circuits and open circuits. Visually check them for damage. If any problems are found, replace the FRU.
3. Remove or disconnect all of the following devices:
  - Non-IBM devices
  - Printer, external mouse & keyboard, and other external devices
  - Battery pack
  - Hard disk drive
  - CD-ROM drive/Diskette drive (optional)
  - PC Card (PCMCIA)
4. Power on the computer.
5. Determine if the problem has changed.
6. If the problem does not occur again, reconnect the removed devices one at a time until you find the failing FRU.
7. If the problem remains, replace the following FRUs one at a time. Do not replace a non-defective FRU.
  - Hard disk drive connection board
  - LCD assembly
  - System board

---

## ThinkPad R30

This section applies to the following models: 2656, 2657, 2676.



## Product overview

The following shows an overview of the system features.

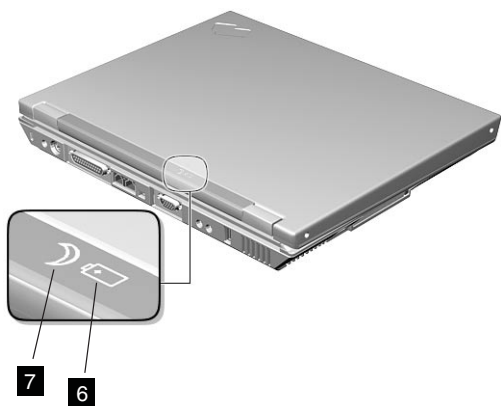
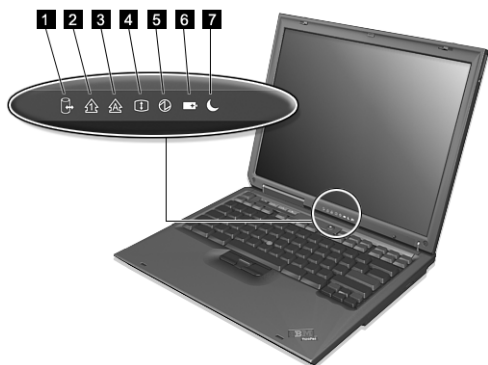
Feature	Description
Processor	Intel Pentium III Celeron processor 800/100, 900/100 MHz, 1 GHz, L2 cache
Bus architecture	Host bus 64bits/100 MHz, PCI 32 bits/33 MHz, ISA 16 bits/8.33 MHz, PCMCIA 16 bits/33MHz, Cardbus 32 bits/32 MHz
System memory	64 MB or 128 MB base main memory on system board PC 133  Two 144pins SODIMM slots supports 64 MB, 128MB, 256MB, and 512MB DIMM card  Maximum frequency: PC 133  Maximum size: 1024 MB
CMOS RAM	242 bytes + 4 Kbytes
Video	Trident Cyberblade Aladdin i1 with 2D/3D Graphics accelerator.  8MB Video RAM (share with system memory)  13.3–inch, 32 bit true colors, 1024x768 pixel TFT XGA color LCD  14.1–inch, 32 bit true colors, 1024x768 pixel TFT XGA color LCD
Audio	AC97 audio based on the Ali M1535 AC link DMA engine  16–bit audio  Internal stereo speakers
Diskette drive (optional)	External 1.44MB (3–mode), 3.5 inch floppy drive via USB interface (Bootable)
Hard disk drive	10GB, 15GB or 30GB, 2.5–inch 9.5mm height, E-IDE interface
CD-ROM drive	CD-ROM: 5.25–inch, 24X speed, E-IDE interface  DVD— ROM : 8X speed  DVD/ CD— RW : 6X DVD/ 4X, 24X CD-RW  CD-RW
Modem	Integrated CDC soft Modem based on the Ali M1535 AC link DMA engine 56 Kbps Data/Fax Modem



<b>Feature</b>	<b>Description</b>
Ethernet (optional)	Intel 82550GY on board . It supports 10/100Mbps
IEEE 1394 (optional)	Ti TSB43AB22 1394 controller on board  IEEE 1394.a 4-pin connector — no cable power  100Mbps, 200Mbps and 400Mbps
PC Card (PCMCIA)	One Type I/II or Type III
I/O ports	External monitor  Speaker-out  Microphone-in  DC-in  TV-out (S-Video out)  Parallel  Two USB  IEEE 1394a (optional)  Telephone (RJ11)  LAN (RJ45, optional)
Power	72-Watt AC Adapter  6-cell Li-Ion & 8-cell NiMH Battery Packs (Dumb Battery)






## Status indicators

The system-status indicators on the computer show the current status of your computer by their on or off states and colors (green and orange). Each indicator is identified with a symbol. The following shows the location and the

meaning of each icon:



Symbol	Color	Meaning
(1) Drive in use 	Green	Data is being read from or written to the hard disk. Do not enter standby mode or power off the computer when this indicator is on.
(2) Numeric lock 	Green	The numeric keypad on the keyboard is enabled. You enable or disable the keypad by pressing and holding the <b>Shift</b> key, and pressing the <b>NumLk</b> key. For details, see the <i>User's Reference</i> .

Symbol	Color	Meaning
(3) Caps lock 	Green	Caps Lock mode is enabled. All alphabetic characters (A-Z) are entered in capital letters without the <b>Shift</b> key being pressed. You enable or disable the Caps Lock mode by pressing the <b>Caps Lock</b> key.
(4) Scroll lock 	Green	Scroll Lock mode is enabled. The <b>Arrow</b> keys can be used as screen-scroll function keys. The cursor cannot be moved with the <b>Arrow</b> keys. <i>Not all application programs support this function.</i> You enable or disable Scroll Lock mode by pressing the <b>ScrLk</b> key.
(5) Power on 	Green	The computer is operational. This indicator is on when the computer is on.
(6) Battery status 	Green	Enough battery power remains for operation.
	Blinking green	The battery power charges up to 80% full power
	Blinking orange	The battery pack needs to be charged
	Orange	The battery pack is being charged.
(7) Standby mode 	Green	The computer is in standby mode

## FRU tests

The following table shows the applicable test for each FRU using PC-Doctor.

FRU	Applicable test
System board	1. CPU/Coprocessor ( <b>Diagnostics</b> ) 2. System board ( <b>Diagnostics</b> )
Power	Battery ( <b>Diagnostics</b> )
LCD unit	1. Video Adapter ( <b>Diagnostics</b> ) 2. Video ( <b>Interactive Tests</b> )

FRU	Applicable test
Modem	<ol style="list-style-type: none"> <li>1. Make sure the modem set up correctly.</li> <li>2. Replacing the modem jack and modem card one at a time, run the modem tests in Other Devices (<b>Diagnostics</b>)</li> </ol>
Audio	Internal Speaker ( <b>Interactive Tests</b> ) Stereo Speaker ( <b>Interactive Tests</b> )
Speaker	System beeper: Internal Speaker ( <b>Interactive Tests</b> )
PC Card slots	System board ( <b>Diagnostics</b> )
Keyboard	<ol style="list-style-type: none"> <li>1. Keyboard (<b>Diagnostics</b>)</li> <li>2. Keyboard (<b>Interactive Tests</b>)</li> </ol>
TrackPoint or Pointing device	<p>If the TrackPoint does not work, see if an external PS/2 mouse is connected to the mouse/keyboard connector and remove it. The TrackPoint is automatically disabled if an external PS/2 mouse is attached. Check also if the TrackPoint driver is correctly installed by accessing Windows Device Manager via the System icon in the Control Panel.</p> <p>After you use the TrackPoint, the pointer drifts on the screen for a short time. This self-acting pointer movement can occur when a slight, steady pressure is applied to the TrackPoint pointer. This symptom is not a hardware problem. No service actions are necessary if the pointer movement stops in a short period of time.</p> <p>If this does not correct the TrackPoint problem, continue with the following: Mouse (<b>Interactive Tests</b>).</p>
Hard disk drive	Fixed Disks ( <b>Diagnostics</b> )
CD-ROM drive	CD-ROM, DVD, CD-RW, DVD/CD-RW ( <b>Interactive Tests</b> )
Memory	<ol style="list-style-type: none"> <li>1. If a DIMM is installed, remove it and run Memory Test-Quick (<b>Diagnostics</b>)</li> <li>2. If the problem does not recur, replace the DIMM and run the test again.</li> <li>3. If the test does not detect the error, run Memory Test-Full (<b>Diagnostics</b>)</li> </ol>
Fan	<ol style="list-style-type: none"> <li>1. Power on system and check the air turbulence at the louver at the rear of the computer.</li> <li>2. Run the fan test in Other Devices (<b>Diagnostics</b>).</li> </ol>

## FRU removals and replacements

This section contains information about removals and replacements.

- Do not damage any parts. Only certified and trained personnel should service the computer.
- The arrows in this section show the direction of movement to remove a FRU, or to turn a screw to release the FRU. The arrows are marked in numeric order, in square callout, to show the correct sequence of removal.
- Any FRUs that must be removed before removing the failing FRU are listed at the top of the page.
- To replace a FRU, reverse the removal procedure and follow any notes that pertain to replacement. See “Locations” on page 84 for internal cable connections and arrangement information.
- When replacing a FRU, use the correct screw size, as shown in the procedure.

### Safety Notice 1

Translations in “Safety Notices (Multi-lingual Translations)” section: Before the computer is powered-on after FRU replacement, make sure all screws, springs, or other small parts are in place and are not left loose inside the computer. Verify this by shaking the computer and listening for rattling sounds. Metallic parts or metal flakes can cause electrical shorts.

### Safety Notice 3

Translations in “Safety Notices (Multi-lingual Translations)” section: The battery pack contains small amounts of nickel. Do not disassemble it, throw it into fire or water, or short-circuit it. Dispose of the battery pack as required by local ordinances or regulations. Use only the battery in the appropriate parts listing when replacing the battery pack. Use of an incorrect battery can result in ignition or explosion of the battery.

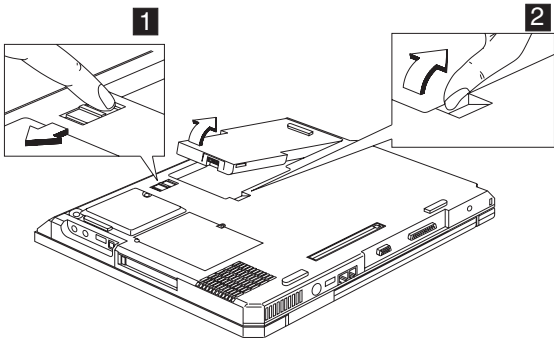
### **Safety Notice 8**

Translations in "Safety Notices (Multi-lingual Translations)" section: Before removing any FRU, power-off the computer, unplug all power cords from electrical outlets, remove the battery pack, then disconnect any interconnecting cables.

**Attention:** The system board is sensitive and can be damaged by electronic discharge. Establish personal grounding by touching a ground point with one hand before touching these units.

An electrostatic discharge (ESD) strap (P/N: 6405959) must be used to establish personal grounding.

## **1010 Battery assembly**



### **Warning**

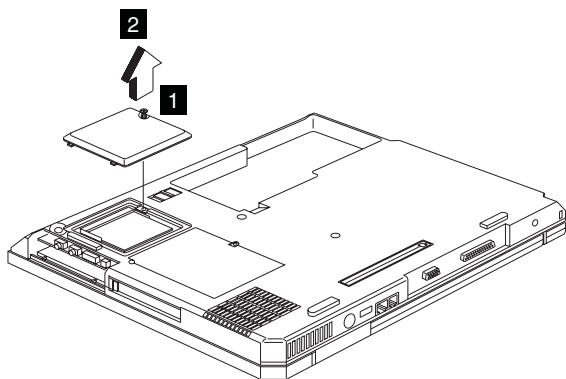
Battery packs are capable of delivering high currents for a significant amount of time. Do not short the battery terminals.

### **CAUTION:**

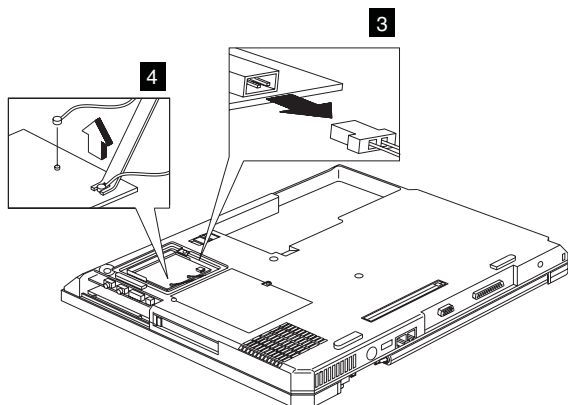
**Danger of explosion if battery is incorrectly replaced. Replace only with the same or equivalent type recommended by the manufacturer. Dispose of used batteries according to the manufacturer's instructions.**

## **1020 Mini-PCI cover and Mini-PCI card**

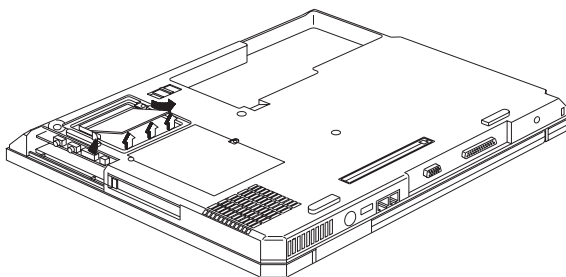
- "1010 Battery assembly"



**Note:** The screw does not separate from the PCI cover.



**Note:** There are 2 cables on step 4 : The gray cable is the main antenna and the black cable is the auxiliary antenna.

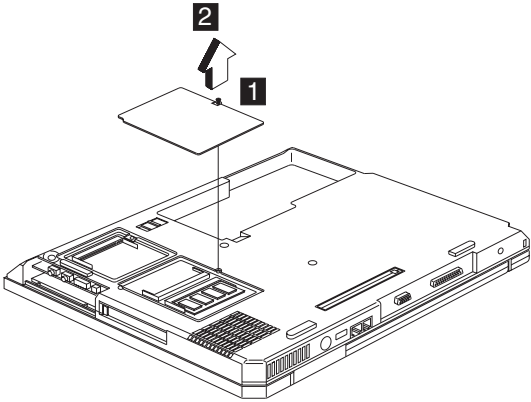


**Note:** When you install the PCI card, remember to press it down and ensure the connection is well.

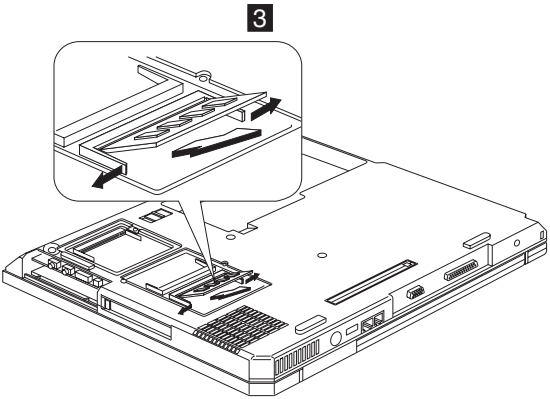


## 1030 Memory cover and Memory card

- “1010 Battery assembly” on page 57



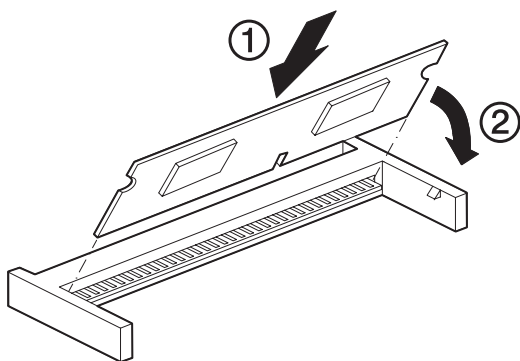
**Note:** The screw does not separate from the memory cover.



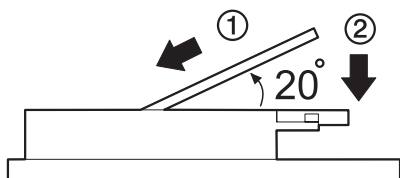
To install the memory card:

With the notched end of the memory card toward the right side of the socket, insert the memory card, at an angle of approximately 20°, into the socket; then press it firmly.

Pivot the memory card until it snaps into place.

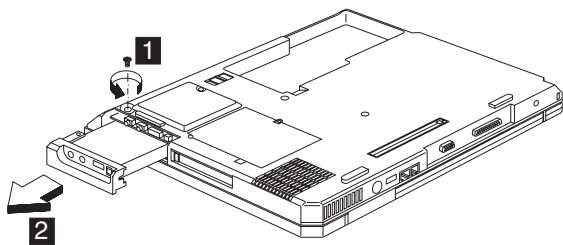


Side View



## 1040 Hard disk drive assembly

- “1010 Battery assembly” on page 57



Step	Size (Quantity)	Color	Torque
1	M3 x L4 (1)	Black	3.2 kgf-cm

### **Warning**

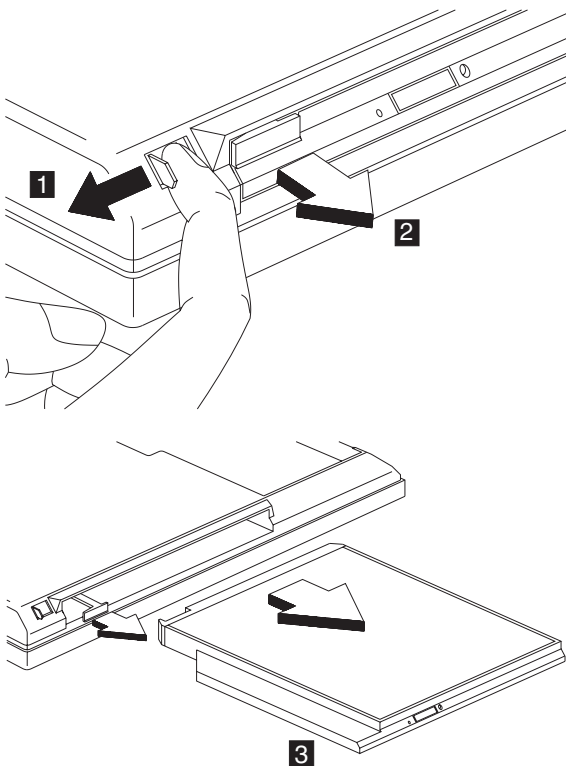
Do not drop or apply any shock to the hard disk drive. The hard disk drive is sensitive to physical shock. Incorrect handling can cause damage and permanent loss of data on the drive.

Before removing the drive, have the user make a backup copy of all the information on the drive if possible.

Never remove the drive while the system is operating or is in suspend mode.

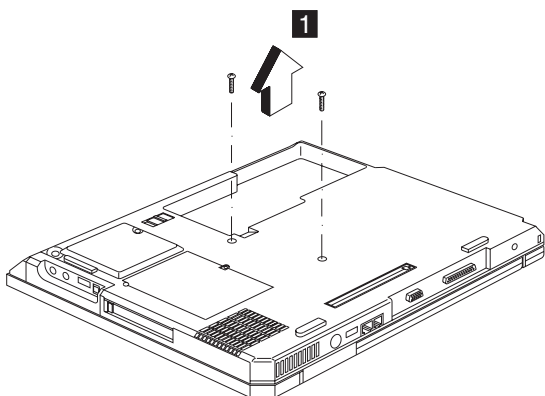
## **1050 CD-ROM assembly**

- “1010 Battery assembly” on page 57

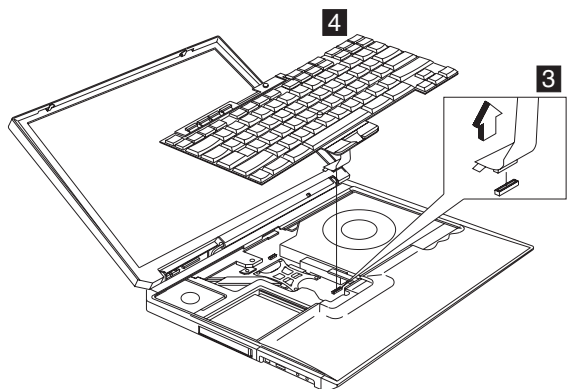
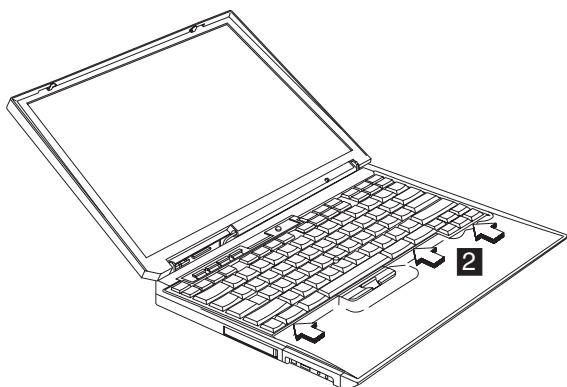


## **1060 Keyboard**

- “1010 Battery assembly” on page 57



Step	Size (Quantity)	Color	Torque
1	M2.5 x L10 (2)	Black	3.2 kgf-cm

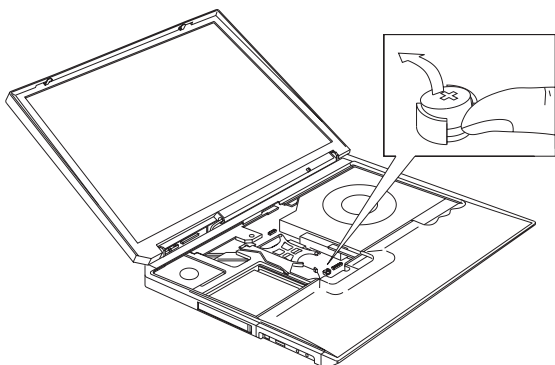


## Notes:

1. When replacing the keyboard, make sure that the cable is clean and insert it directly into the connector, making sure it makes contact with the bottom of the connector.
2. If the cable do not touch the bottom of the connector, the keyboard function will be rendered useless.
3. The cable of the keyboard are fragile and could be damaged. Be careful when pulling out the cable.

## 1070 Backup battery

- “1010 Battery assembly” on page 57
- “1060 Keyboard” on page 61



## CAUTION:

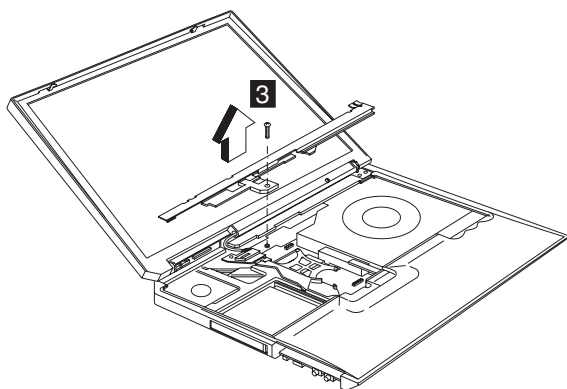
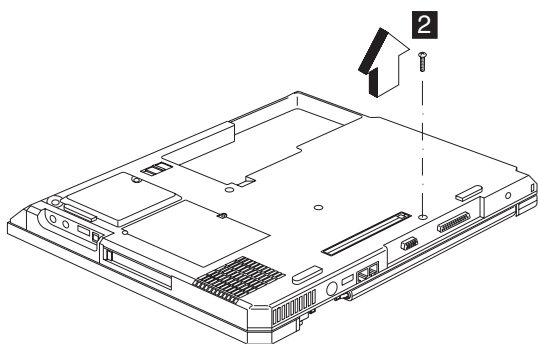
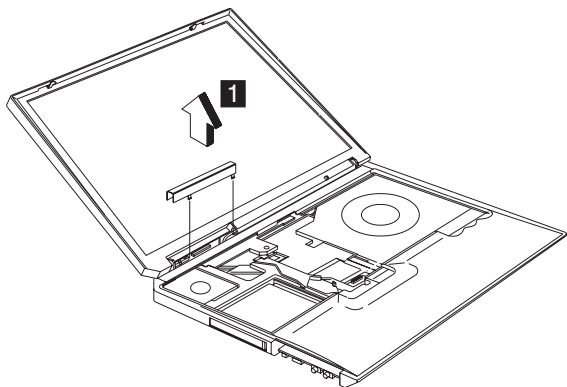
**Danger of explosion if battery is incorrectly replaced. Replace only with the same or equivalent type recommended by the manufacturer. Dispose of used batteries according to manufacturer's instruction.**

### Safety Notice 4

Translation in "Safety Notices: Multi-lingual Translations" section: The backup battery is a lithium battery and can cause a fire, an explosion, or severe burns. Do not recharge it, remove its polarized connector, disassemble it, heat it above 100°C (212°F), incinerate it, or expose its cell contents to water. Dispose of the battery as required by local ordinances or regulations. Use of an incorrect battery can result in ignition or explosion of the battery. Replacement batteries can be ordered from IBM or IBM Authorized Dealers.

## 1080 Middle cover

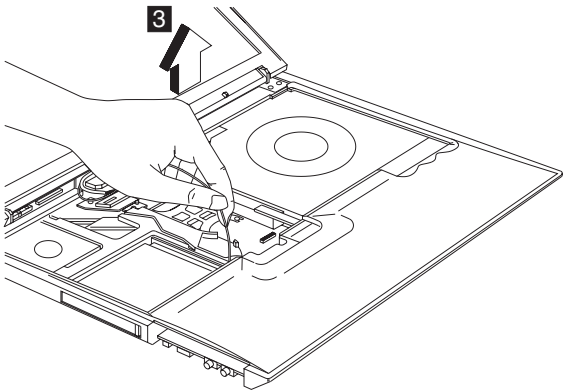
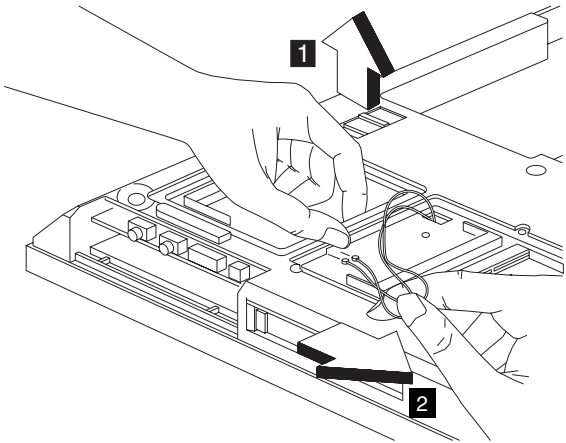
- “1010 Battery assembly” on page 57
- “1060 Keyboard” on page 61



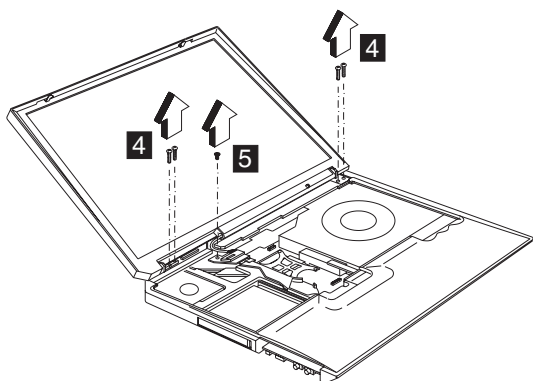
Step	Size (Quantity)	Color	Torque
2	M2.5 x L10 (1)	Black	3.2 kgf-cm
3	M2.5 x L10 (1)	Black	3.2 kgf-cm

## 1090 LCD assembly

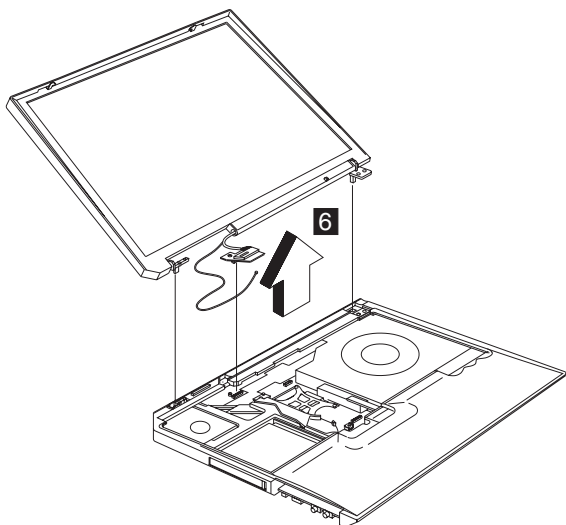
- “1010 Battery assembly” on page 57
- “1060 Keyboard” on page 61
- “1080 Middle cover” on page 63
- “1020 Mini-PCI cover and Mini-PCI card” on page 57
- “1030 Memory cover and Memory card” on page 59



**Note:** Release the gray cable, which is the main antenna from the system.



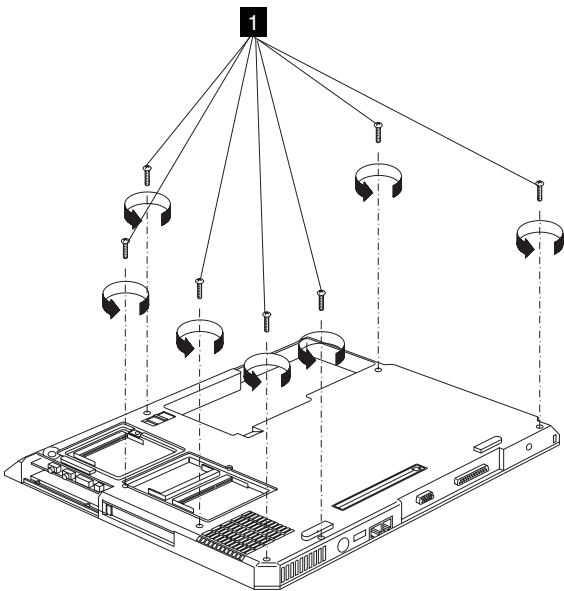
Step	Size (Quantity)	Color	Torque
4	M2.5 x L10 (4)	Black	3.2 kgf-cm
5	M2.5 x L5 (1)	Silver	3.2 kgf-cm



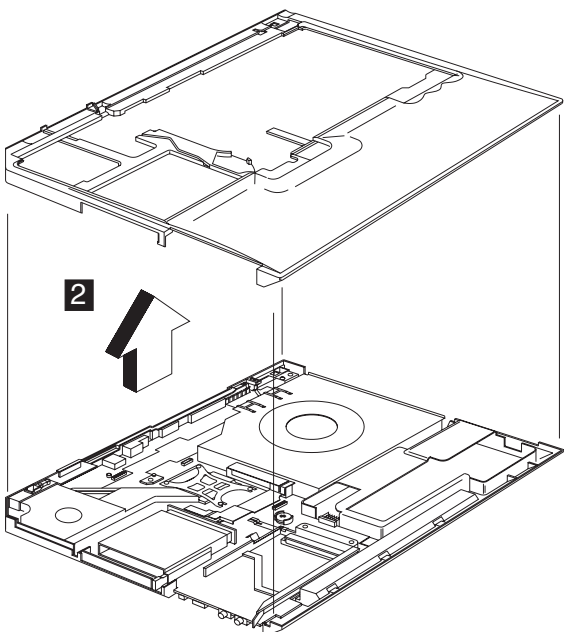
## 1100 Keyboard bezel

- “1010 Battery assembly” on page 57
- “1060 Keyboard” on page 61
- “1080 Middle cover” on page 63
- “1090 LCD assembly” on page 65





Step	Size (Quantity)	Color	Torque
1	M2.5 x L10 (7)	Black	3.2 kgf-cm

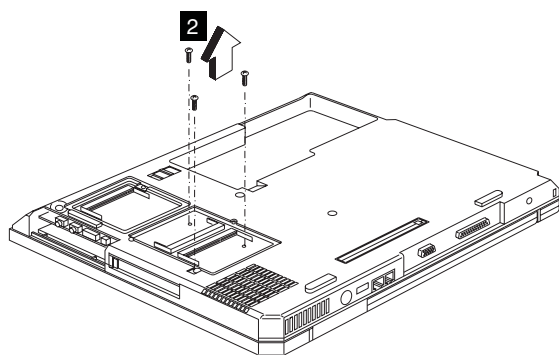
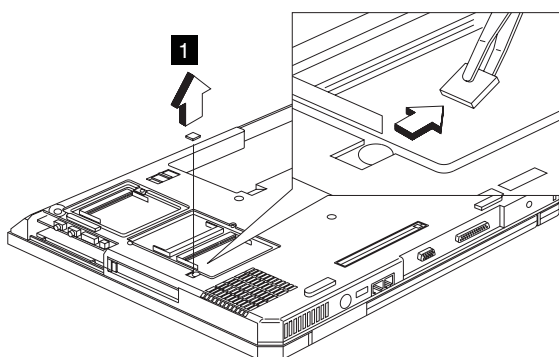


**CAUTION:**

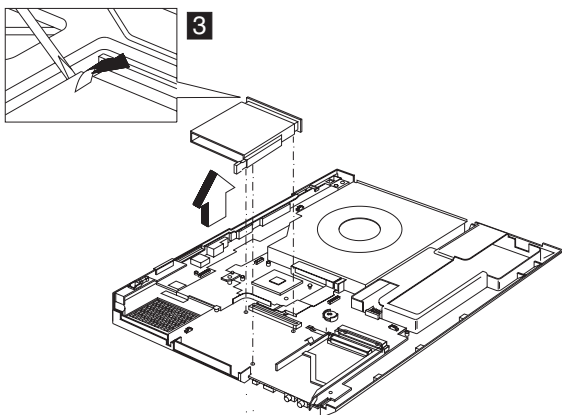
The keyboard bezel has several latches. When removing the keyboard bezel from the bottom cover, gently release these latches, then raise the side of the keyboard bezel facing the palm rest to remove it. Be careful not to break the latches.

**1110 PCMCIA holder**

- “1010 Battery assembly” on page 57
- “1060 Keyboard” on page 61
- “1080 Middle cover” on page 63
- “1090 LCD assembly” on page 65
- “1100 Keyboard bezel” on page 66



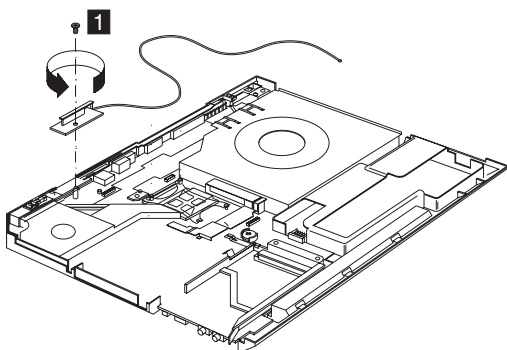
Step	Size (Quantity)	Color	Torque
2	M2 x L6 (3)	Silver	1.6 kgf-cm



**Note:** Before removing and replacing the PCMCIA holder, make sure that the PCMCIA cards are removed and the eject levers are sticking out.

## 1120 Auxiliary Antenna

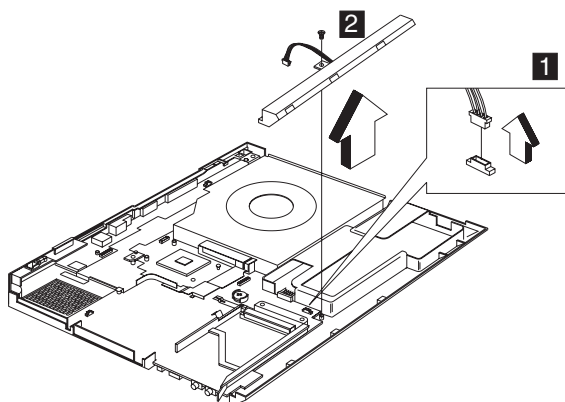
- “1010 Battery assembly” on page 57
- “1020 Mini-PCI cover and Mini-PCI card” on page 57
- “1030 Memory cover and Memory card” on page 59
- “1060 Keyboard” on page 61
- “1080 Middle cover” on page 63
- “1090 LCD assembly” on page 65
- “1100 Keyboard bezel” on page 66



Step	Size (Quantity)	Color	Torque
1	M2 x L4(1)	Silver	2.5 kgf-cm

## 1120 Speaker

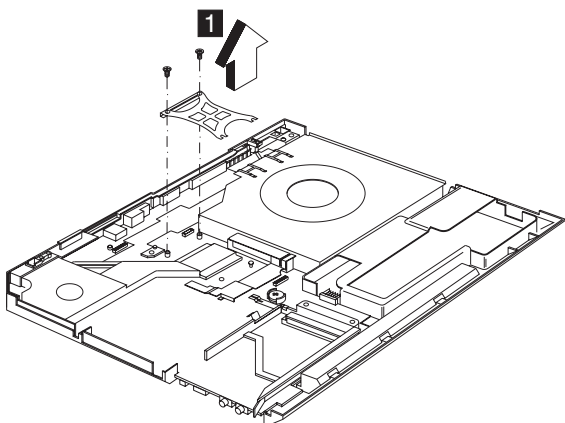
- “1010 Battery assembly” on page 57
- “1060 Keyboard” on page 61
- “1080 Middle cover” on page 63
- “1090 LCD assembly” on page 65
- “1100 Keyboard bezel” on page 66



Step	Size (Quantity)	Color	Torque
2	M2.5 x L4(1)	Black	2.5 kgf-cm

## 1140 CPU spring

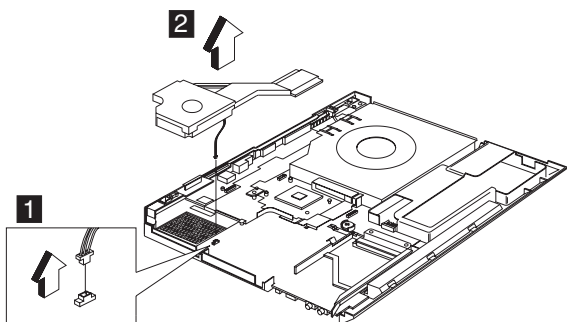
- “1010 Battery assembly” on page 57
- “1060 Keyboard” on page 61
- “1080 Middle cover” on page 63
- “1090 LCD assembly” on page 65
- “1100 Keyboard bezel” on page 66

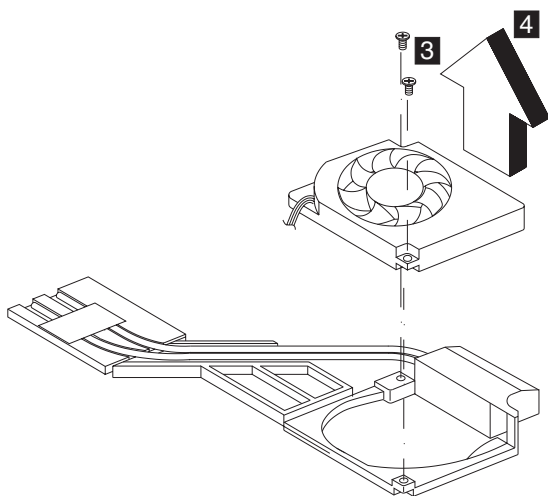


Step	Size (Quantity)	Color	Torque
1	M2.5 x L5 (2)	Silver	3.2 kgf-cm

## 1150 Fan assembly

- “1010 Battery assembly” on page 57
- “1060 Keyboard” on page 61
- “1080 Middle cover” on page 63
- “1090 LCD assembly” on page 65
- “1100 Keyboard bezel” on page 66
- “1140 CPU spring” on page 70

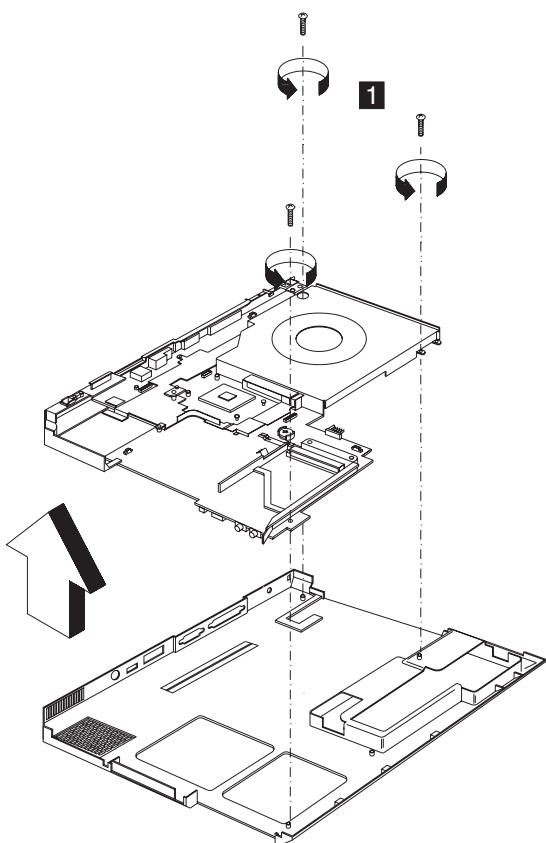




Step	Size (Quantity)	Color	Torque
3	M2.5 x L5 (2)	Silver	3.2 kgf-cm

## 1160 System board

- “1010 Battery assembly” on page 57
- “1020 Mini-PCI cover and Mini-PCI card” on page 57
- “1030 Memory cover and Memory card” on page 59
- “1040 Hard disk drive assembly” on page 60
- “1050 CD-ROM assembly” on page 61
- “1060 Keyboard” on page 61
- “1080 Middle cover” on page 63
- “1090 LCD assembly” on page 65
- “1100 Keyboard bezel” on page 66
- “1120 Speaker” on page 70



Step	Size (Quantity)	Color	Torque
1	M2.5 x L10(3)	Silver	3.2 kgf-cm

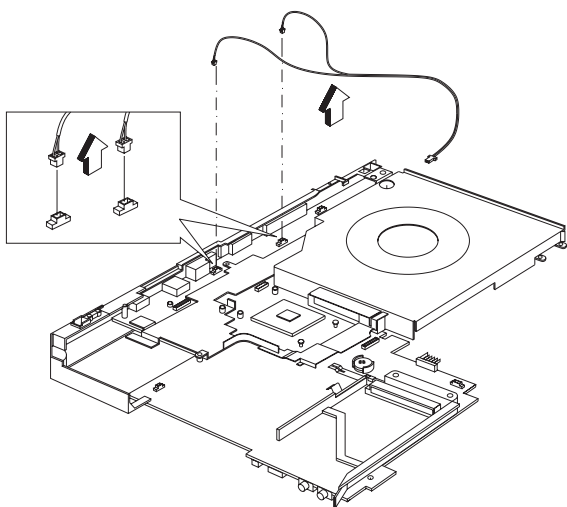
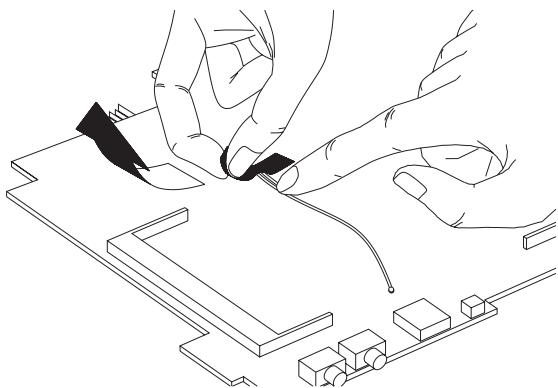
#### Notes:

1. When removing the system board from the bottom cover, gently raise the side of the system board facing the rear I/O ports; then pull out the system board.

#### 1170 Modem Cable (with Combo card)

- “1010 Battery assembly” on page 57
- “1020 Mini-PCI cover and Mini-PCI card” on page 57
- “1030 Memory cover and Memory card” on page 59
- “1040 Hard disk drive assembly” on page 60
- “1050 CD-ROM assembly” on page 61
- “1060 Keyboard” on page 61
- “1080 Middle cover” on page 63

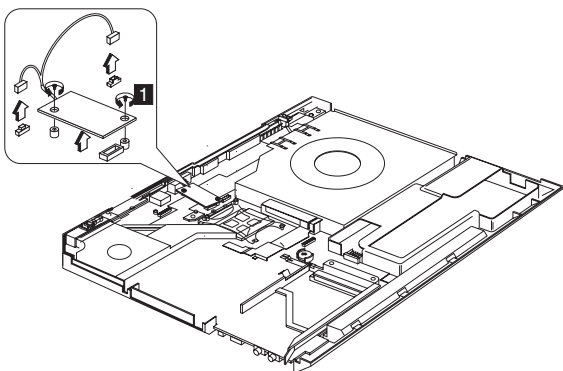
- “1090 LCD assembly” on page 65
- “1100 Keyboard bezel” on page 66
- “1120 Speaker” on page 70
- “1160 System board” on page 72



### **1180 Modem Card (without Combo card)**

- “1010 Battery assembly” on page 57
- “1020 Mini-PCI cover and Mini-PCI card” on page 57
- “1030 Memory cover and Memory card” on page 59
- “1060 Keyboard” on page 61
- “1080 Middle cover” on page 63
- “1090 LCD assembly” on page 65
- “1100 Keyboard bezel” on page 66

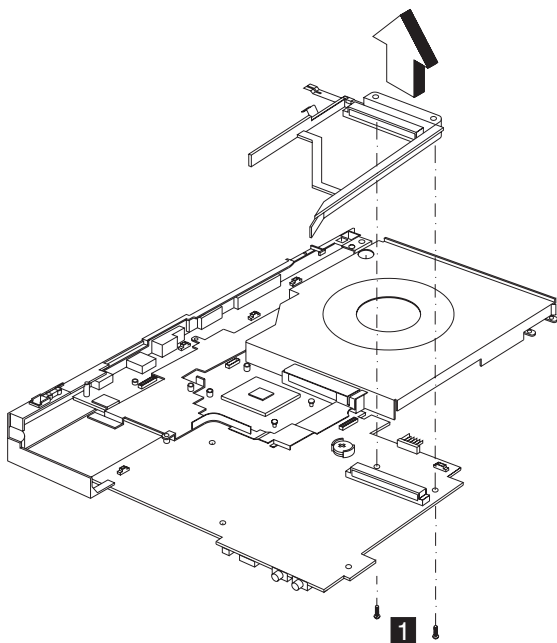




Step	Size (Quantity)	Color	Torque
1	M2.5 x L5 (2)	Silver	3.2 kgf-cm

### 1190 Hard disk drive bezel

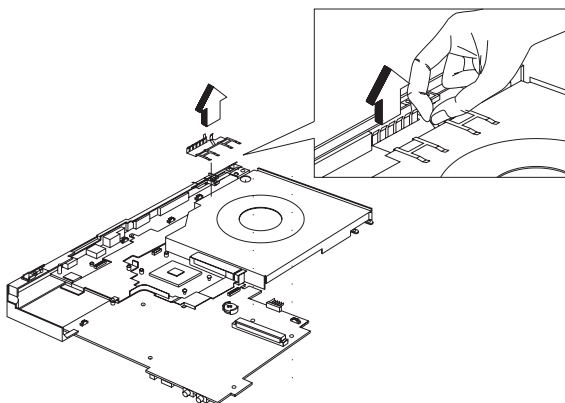
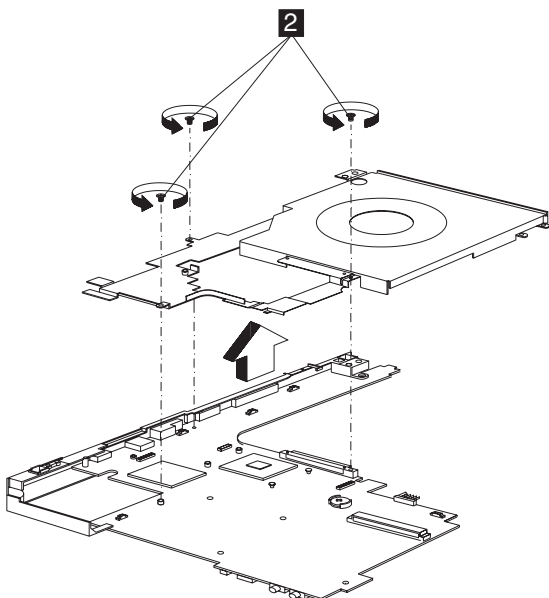
- “1010 Battery assembly” on page 57
- “1020 Mini-PCI cover and Mini-PCI card” on page 57
- “1030 Memory cover and Memory card” on page 59
- “1040 Hard disk drive assembly” on page 60
- “1050 CD-ROM assembly” on page 61
- “1060 Keyboard” on page 61
- “1080 Middle cover” on page 63
- “1090 LCD assembly” on page 65
- “1100 Keyboard bezel” on page 66
- “1120 Speaker” on page 70
- “1160 System board” on page 72



Step	Size (Quantity)	Color	Torque
1	M2 x L6 (2)	Silver	1.6 kgf-cm

## 1200 CD-ROM chassis

- “1010 Battery assembly” on page 57
- “1020 Mini-PCI cover and Mini-PCI card” on page 57
- “1030 Memory cover and Memory card” on page 59
- “1040 Hard disk drive assembly” on page 60
- “1050 CD-ROM assembly” on page 61
- “1060 Keyboard” on page 61
- “1080 Middle cover” on page 63
- “1090 LCD assembly” on page 65
- “1100 Keyboard bezel” on page 66
- “1120 Speaker” on page 70
- “1150 Fan assembly” on page 71
- “1160 System board” on page 72
- “1190 Hard disk drive bezel” on page 75
- “1170 Modem Cable (with Combo card)” on page 73

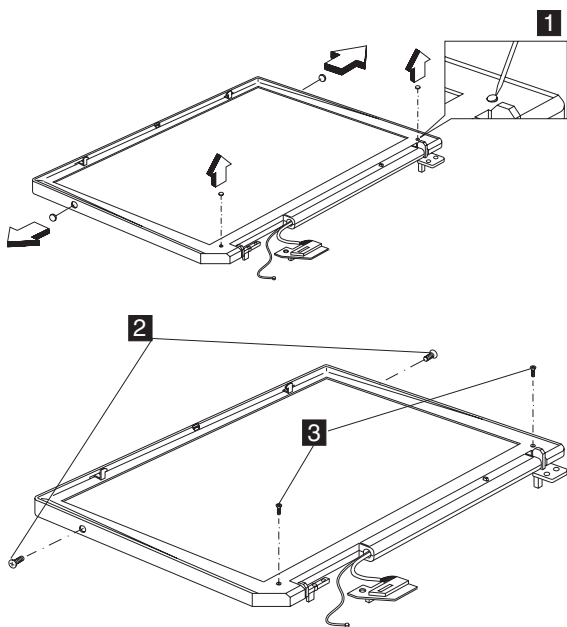
**1****2**

Step	Size (Quantity)	Color	Torque
2	M2.5 x L5 (3)	Silver	3.2 kgf-cm

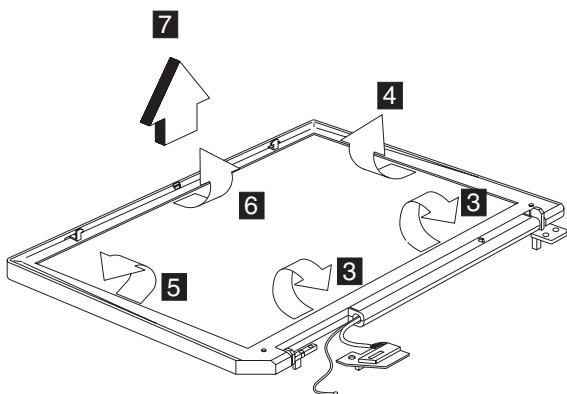
## 1210 LCD bezel assembly (13.3")

- "1010 Battery assembly" on page 57
- "1020 Mini-PCI cover and Mini-PCI card" on page 57
- "1030 Memory cover and Memory card" on page 59
- "1060 Keyboard" on page 61

- “1080 Middle cover” on page 63
- “1090 LCD assembly” on page 65



Step	Size (Quantity)	Color	Torque
2	M2 x L4(2)	Silver	2.5 kgf-cm
3	M2.5 x L6(2)	Black	2.5 kgf-cm

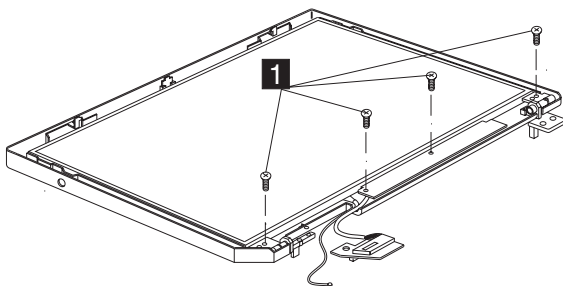


**Note:** When removing the LCD, take note of the following:

- Be careful not to scratch the LCD bezel when removing the screw mylars.
- The LCD bezel has several latches. Release these latches; then remove the LCD bezel. Be careful not to break these latches.
- Gently push the two LCD latches outward to remove the LCD bezel.

## 1220 LCD Inveter (13.3")

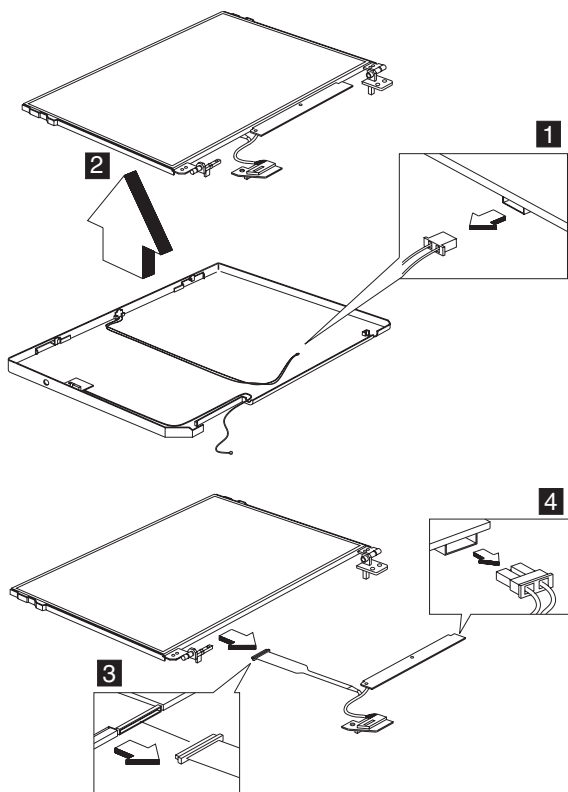
- "1010 Battery assembly" on page 57
- "1020 Mini-PCI cover and Mini-PCI card" on page 57
- "1030 Memory cover and Memory card" on page 59
- "1060 Keyboard" on page 61
- "1080 Middle cover" on page 63
- "1090 LCD assembly" on page 65
- "1210 LCD bezel assembly (13.3)" on page 77



Step	Size (Quantity)	Color	Torque
1	M2 x L10(4)	Black	2.5 kgf-cm

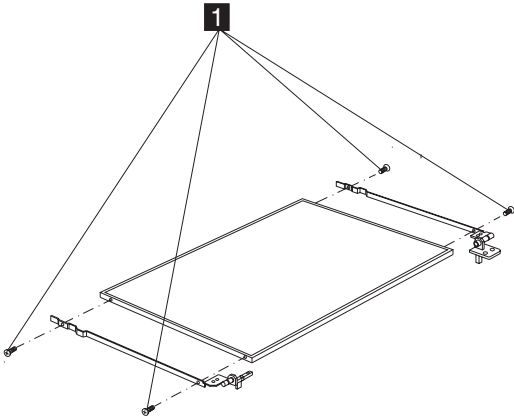
## 1230 LED board (13.3")

- "1010 Battery assembly" on page 57
- "1020 Mini-PCI cover and Mini-PCI card" on page 57
- "1030 Memory cover and Memory card" on page 59
- "1060 Keyboard" on page 61
- "1080 Middle cover" on page 63
- "1090 LCD assembly" on page 65
- "1210 LCD bezel assembly (13.3)" on page 77



## 1240 LCD bracket hinge assembly (13.3")

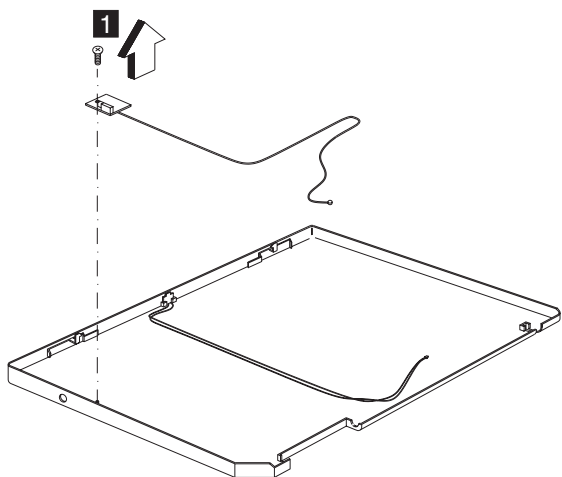
- "1010 Battery assembly" on page 57
- "1020 Mini-PCI cover and Mini-PCI card" on page 57
- "1030 Memory cover and Memory card" on page 59
- "1060 Keyboard" on page 61
- "1080 Middle cover" on page 63
- "1090 LCD assembly" on page 65
- "1210 LCD bezel assembly (13.3")" on page 77
- "1220 LCD Inverter (13.3")" on page 79
- "1230 LED board (13.3")" on page 79



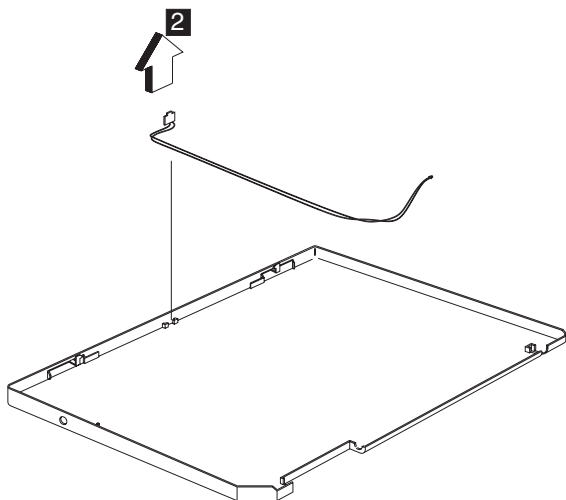
Step	Size (Quantity)	Color	Torque
1	M2 x L4 (4)	Silver	2.5 kgf-cm

### 1250 LCD FPC assembly (13.3")

- "1010 Battery assembly" on page 57
- "1020 Mini-PCI cover and Mini-PCI card" on page 57
- "1030 Memory cover and Memory card" on page 59
- "1060 Keyboard" on page 61
- "1080 Middle cover" on page 63
- "1090 LCD assembly" on page 65
- "1210 LCD bezel assembly (13.3")" on page 77
- "1220 LCD Inveter (13.3")" on page 79
- "1230 LED board (13.3")" on page 79
- "1240 LCD bracket hinge assembly (13.3")" on page 80



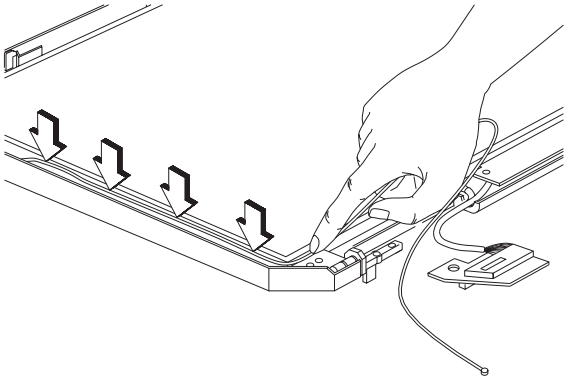
Step	Size (Quantity)	Color	Torque
1	M2 x L4(1)	Silver	2.5 kgf-cm



### 1260 Wireless reassembly

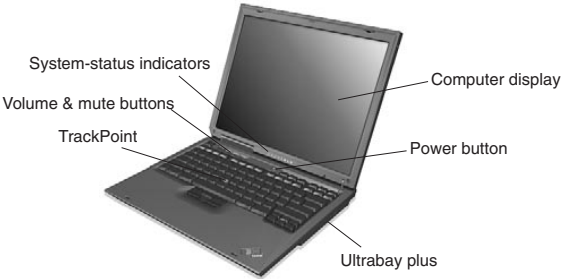
- “1240 LCD bracket hinge assembly (13.3”)” on page 80
- “1230 LED board (13.3”)” on page 79



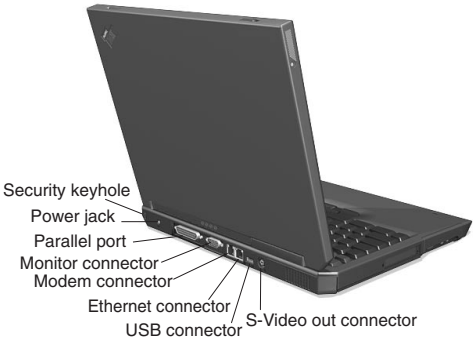


# Locations

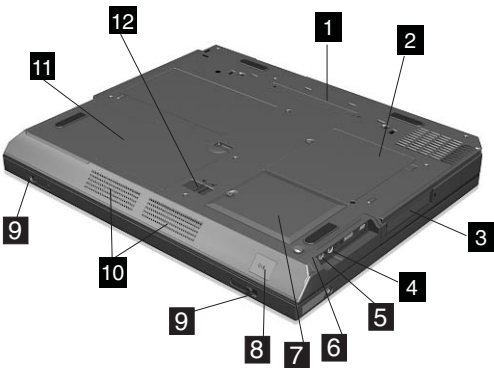
## Front View



## Rear View



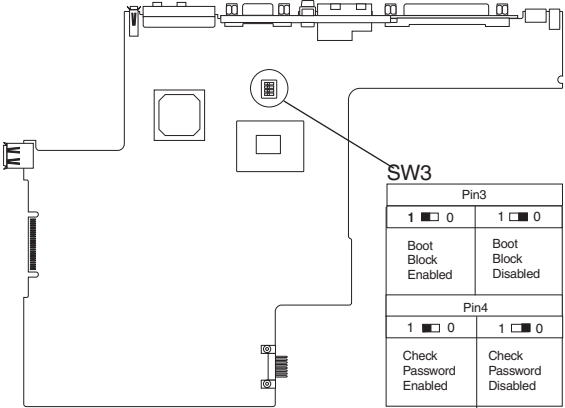
## Bottom View



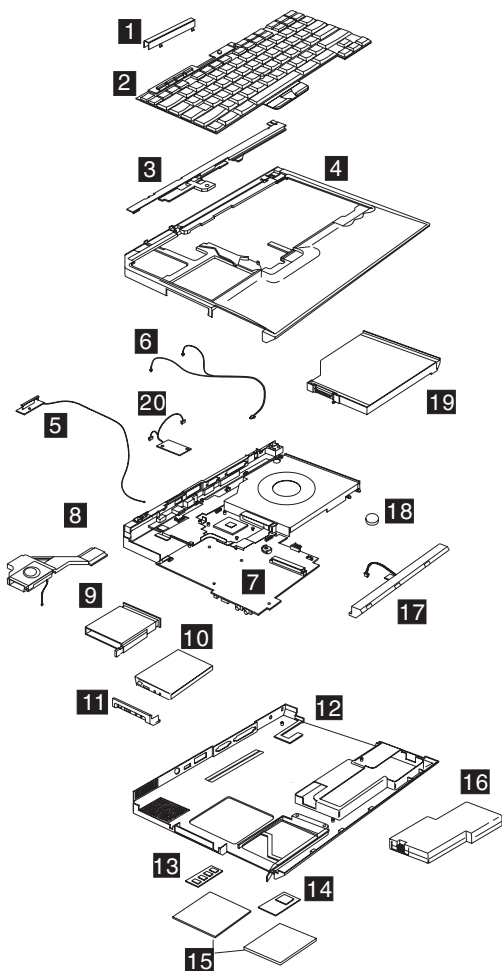
- 1. Docking connector
- 2. Memory slot door

3. PC card slot
4. Stereo headphone jack
5. Microphone jack
6. Hard disk drive
7. Mini-PCI Card slot door
8. Infrared port
9. LCD latches
10. Built-in speakers
11. Battery pack
12. Battery pack latch

# Switch Locations



## Parts list



**Note:** The parts marked with asterisk are CRUs (customer replaceable units.)

No.	Description	FRU No.
1	Hinge Cap	26P9722
2	Keyboard unit ("Keyboard" on page 93)	
3	Middle Cover ASM WW	26P9727
4	KBD Bezel Asm. WW	46L5052

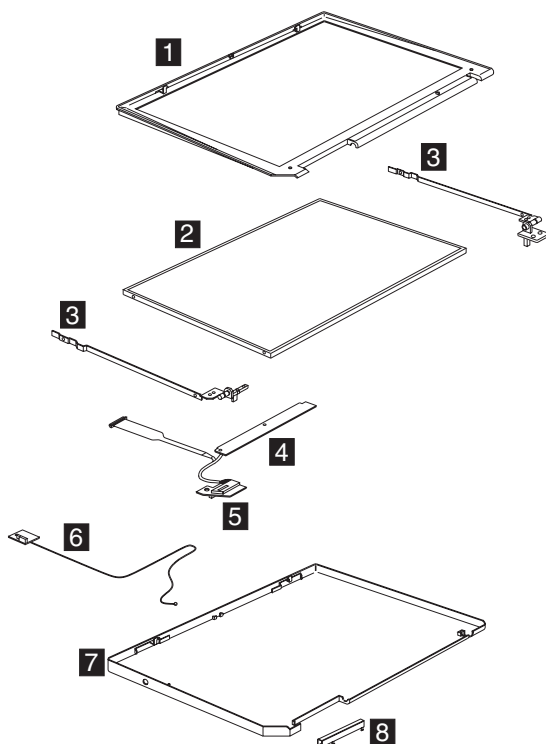
No.	Description	FRU No.
5	Antenna Kit 13.3"	26P9712
	Antenna Kit 14.1"	26P9711
	Antenna Aux	
	Antenna LCD	
6	Cable Asm. kit , RJ11 and lid switch	27L0689
	RJ-11 Cable for CDC board model	
	RJ-11 Cable mini PCI combo board model	
	Lid switch Cable	
7	Planar P-III 1 GHz	12P3832
	Planar P-III 1 GHz w/1394	12P3836
	Planar Celeron 900MHz	12P3828
	Planar Celeron 800MHz w/1394	12P3824
8	FAN Asm.	26P9723
9	PCMCIA Slot	26P9724
10	HDD w/tray & screws module IBM Assy./10 GB	08K9796*
	HDD w/tray & screws module HITACHI /10 GB	08K9798*
	HDD w/tray & screws module IBM /15 GB	08K9663*
	HDD w/tray & screws module HITACHI /15 GB	08K9664*
	HDD w/tray & screws module IBM /30 GB	08K9665*
	HDD w/tray & screws module HITACHI /30 GB	05K9666*
11	HDD Cover WW	26P9737
12	Lower Case w/ label WW	26P9729
	Lower Case w/ label EMEA	26P9730
	Lower Case w/ label IIPC	26P9731
	Lower Case w/ label Korea	26P9732
	Lower Case w/ label Taiwan	46L6338
	Lower Case w/ label W/W-wireless	26P9733
	Lower Case w/ label EMEA-wireless	26P9734
	Lower Case w/ label IIPC-wireless	26P9735
	Lower Case w/ label Korea-wireless	26P9736
	Lower Case w/ label Taiwan-wireless	46L6339
13	Card ASM SoDIMM-64MB	19K4651*
	Card ASM SoDIMM-128MB	19K4653*
	Card ASM SoDIMM-256MB	19K4655*
14	802.11b/Modem combo card	26P8092

No.	Description	FRU No.
15	Mini-PCI / DIMM door kit	26P9739*
16	Battery Assy. (Ni-Mh) Sanyo-W/W Sanyo-Japan	02K6827* 02K6835*
	Battery Assy. (Li-Ion) Sanyo-W/W Sanyo-Japan Panasonic-W/W Panasonic-Japan	02K6822* 02K6830* 02K6824* 02K6832*
17	Speaker Kit	02K5989
18	RTC Battery	11J8591
19	CD-ROM Module TEAC HLDS(LG)	27L3436* 08K9545*
	DVD-ROM Module HLDS(Hitachi)	27L4236*
	CD-RW Module SONY ( for WinXP) TEACCD-RW / DVD Module Toshiba	27L4231* 08K9644* 27L4249*
20	Modem CDC	26P8070
	Rubber Kit PCMCIA screw cap* 3 rubber foot * 3 LCD bezel screw cap (W/W) *4 IEEE-1394 dummy label IEEE-1394 icon label	26P9742

No.	Description	FRU No.
	Screw Kit HDD COIN SCREW M/B HEX SCREW SCREW DIMM COVER STEEL SCREW MACH PAN NYLOK M2.0*13 NI BH MSN+N SCREW M2.0*6 SCREW MACH FLAT M3*2.8 SCREW HDD M3*L4 WCH MSN+CZ SCREW M2.5*5 SCREW M2.5L10B 86.9A353100 SCREW M2.5*6 SCREW M2.4 WAFER NI	26P9741

## LCD FRU

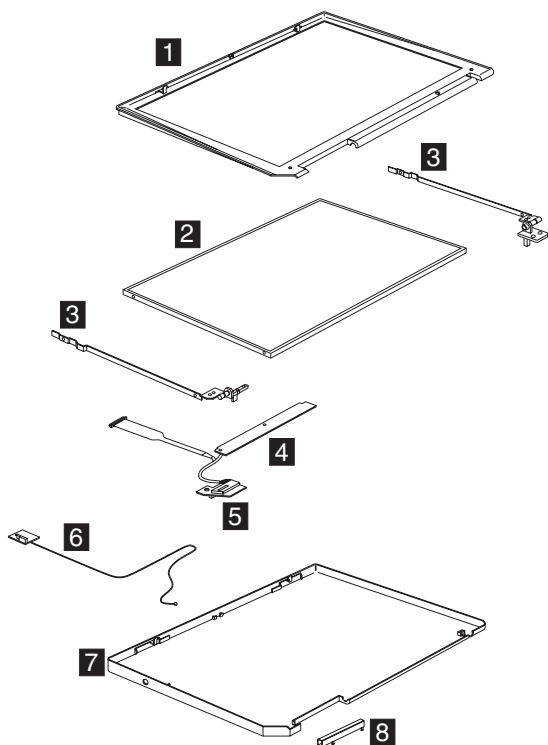
13.3-inch TFT:





No.	Description	FRU No.
1	13.3" LCD Bezel	26P9715
2	LCD Panel Asm (13.3" TFT) Sanyo LG	11P8212 11P8220
3	13.3" Hinge-Bracket Asm (R,L)	26P9720
4	LCD-Invertor / LED card (for 13.3" & 14.1" TFT)	26P8139
5	LCD cable Asm.	27L0687
6	Antenna Kit 13.3" LCD Antenna w/ 13.3" LCD Antenna aux	26P9712
7	LCD Rear Cover Asm for 13.3"/14.1" ( for Wireless model ) 13.3"/14.1" LCD rear cover 13.3"/14.1" LCDPanel W/Wireless IBM Logo	26P9709
	LCD Rear Cover Asm for 13.3"/14.1" 13.3"/14.1" LCD rear cover 13.3"/14.1" LCDPanel W/O Wireless IBM Logo	26P9707
8	LCD Hinge Cap	26P9722
	LG/IBM Logo Kit for LCD Rear Cover for KBD Bezel	08K5860

## 14.1-inch TFT:



No.	Description	FRU No.
1	14.1" LCD Bezel (for W/W)	26P9713
2	LCDPanel Asm. (14.1" TFT) Hyundai Samsung	11P8214 46L2356
3	14.1" Hinge-Bracket Asm (R,L)	26P9719
4	LCD-Invertor / LED card (for 13.3" & 14.1" TFT)	26P8139
5	LCD cable Asm.	27L0686
6	Antenna Kit 14.1" LCD Antenna w/ 14.1" LCD Antenna aux	26P9711
7	LCD Rear Cover Asm for 13.3"/14.1" (for W/W) 13.3"/14.1" LCD rear cover 13.3"/14.1" LCDPanel W/Wireless IBM Logo	26P9709

No.	Description	FRU No.
	LCD Rear Cover Asm for 13.3"/14.1" (for W/O W) 13.3"/14.1" LCD rear cover 13.3"/14.1" LCDPanel W/O Wireless IBM Logo	26P9707
8	LCD Hinge Cap Asm.	26P9722
	LG/IBM Logo Kit for LCD Rear Cover for KBD Bezel	08K5860

## Keyboard

Description	Vendor	FRU No.
KBD ASM US English	NMB	12P4260*
KBD ASM Canadian French	NMB	12P4262*
KBD ASM German	NMB	12P4264*
KBD ASM UK English	NMB	12P4266*
KBD ASM French	NMB	12P4268*
KBD ASM Dutch	NMB	12P4270*
KBD ASM Swedish/Finnish	NMB	12P4272*
KBD ASM Norwegian	NMB	12P4274*
KBD ASM Danish	NMB	12P4276*
KBD ASM Italian	NMB	12P4278*
KBD ASM European Spanish	NMB	12P4280*
KBD ASM Belgian	NMB	12P4282*
KBD ASM Switzerland	NMB	12P4284*
KBD ASM Portuguese	NMB	12P4286*
KBD ASM Russian	NMB	12P4290*
KBD ASM Slovakian	NMB	12P4306*
KBD ASM Slovenian	NMB	12P4304*
KBD ASM Traditional Chinese	NMB	12P4310*
KBD ASM Turkish	NMB	12P4296*
KBD ASM Arabic	NMB	12P4288*
KBD ASM Hebrew	NMB	12P4292*
KBD ASM Polish	NMB	12P4294*
KBD ASM Czech	NMB	12P4298*
KBD ASM Hungarian	NMB	12P4300*
KBD ASM Greek	NMB	12P4302*
KBD ASM Japan	NMB	12P4308*
KBD ASM Korea	NMB	12P4312*
KBD ASM La Spanish	NMB	12P4314*

## Common parts list

### Tools:

Description	FRU No.
Tri-Connector Wrap Plug	72X8546
PC Test Card	35G4703
Audio Wrap Cable	66G5180
USB Parallel Test Cable	05K2580
Screwdriver Kit	95F3598
5mm Socket Wrench	05K4694
Screwdriver	27L8126
Wireless Antenna Connector Removal Tool	08K7159
ThinkPad hardware maintenance diskette version 1.10	

**Note:** The data may look the same with the sample hmm but the diskette version is different.

### Telephone cable:

Description	FRU No.
Telephone cable (US/C, TWN, APS, LA, BRZL)	27L0465
Telephone cable (UK, IR, NZ)	27L0442
Telephone cable (Germany)	27L0441
Telephone cable (Italy)	27L0448
Telephone cable (France)	27L0443
Telephone cable (DK, DE, PO)	27L0447
Telephone cable (SW, SU)	27L0445
Telephone cable (FI, NO, NS)	27L0446
Telephone cable (Australia)	27L0467
Telephone cable (ND, NU)	27L0444
Telephone cable (SF, SI, SG, SE)	27L0462
Telephone cable (BE, BK, BS, BD, BF)	27L0451
Telephone cable (Austria)	27L0449
Telephone cable (Spain)	27L0450

### AC adapter:

Description	FRU No.
AC Adapter, 72W 3-pin (Astec)	02K6751*
AC Adapter, 72W 3-pin (Delta)	02K6754*
AC Adapter, 72W 2-pin (Delta)	02K6756*
AC Adapter, 72W 2-pin (Astec)	02K6753*

**Power cords:** IBM power cords for a specific country are usually available only in that country.

**For 2-pin power cords:**

IBM power cord part number	Used in these countries or regions
13H5264*	Canada, U.S.A.
13H5273*	Japan
36L8870*	Argentina
49P2095*	Brazil

For 3-pin power cords:

**Note:** The grounded adapter is required for full MPRII compliance. If a 3-pin power cord came with your computer, see “Safety Information” on page 13.

IBM power cord part number	Used in these countries or regions
76H3514*	Australia, New Zealand
76H3516*	Taiwan, Thailand
76H3530*	Italy
76H3520*	Denmark
76H3524*	UK, Hong Kong
76H3518*	European Countries
76H3522*	South Africa, India
76H3532*	Israel
76H3535*	Korea
02K0539*	China (P.R.C.)
76H3528*	Switzerland

**Recovery CD List:**

Description	FRU No.	Models
Recovery CD Eng-XP Home (US/CA)	32P5395	2656–70U, 6AU, 60U, 50U, 3AU, 30U, 20U, 19U, 2AU
Recovery CD Eng-XP Home (US/CA)	32P5395	2656–70H, 6AH, 60H, 54H, 3AH, 20H, 30H: 2656–60B
Recovery CD Eng-XP Home (UD)	32P5580	2656–60M, 20M

Recovery CD Eng-XP Home (UD)	32P5580	2656-70A, 6AA, 60A, 54A, 3AA, 30A, 20A
Recovery CD Eng-XP Home (CF)	32P5396	2656-6AF, 20F, 19F
Recovery CD LA-SP-W98-XP Home(LA)	32P5397	2656-60S, 20S, 30S
Recovery CD LA-SP-W98-XP Home(LA)	32P5397	2656-60X, 20X, 30X
Recovery CD LA-BR-W98-XP Home(BR)	32P5398	2656-60P, 20P, 30P
Recovery CD Japan-XP Home	46P4469	2656-6AJ, 60J, 42J, 80J
Recovery CD Traditional Chinese-XP Home	46P6120	2656-70T, 6AT, 60T, 54T, 3AT, 30T, 20T, 80T
Recovery CD Simplified Chinese-XP Home	46P6122	2656-70C, 6AC, 60C, 54C, 3AC, 30C
Recovery CD English-W98 (UD)	14P9984	2656-72G, 7BG, 62G, 52G, 3BG, 32G, 22G, 51G, 64G
Recovery CD English-W98 (UD)	14P9984	2656-72A, 7BA, 62A, 55A, 3BA, 32A
Recovery CD English-W98 (UD)	14P9984	2656-72M, 7BM, 62M, 55M, 3BM, 32M, 22M
Recovery CD English-Win2000 (UD)	32P5332	2656-F0G, EAG, E0G, D0G, BAG, BOG, D3G, E2G
Recovery CD English-Win2000 (UD)	32P5332	2656-F0A, EAA, E0A, D1A, BAA, BOA
Recovery CD English-Win2000 (UD)	32P5332	2656-F0M, EAM, E0M, D1M, A0M, A1M
Recovery CD English-W98 (US)	14P9983	2656-7BU, 62U, 3BU, 32U, 22U, 21U, 2BU
Recovery CD English-W98 (US)	14P9983	2656-7BH, 62H, 55H: 2656-62B
Recovery CD English-Win2000 (US)	32P5331	2656-EAU, E0U, BAU, BOU, A0U, A1U, A2U
Recovery CD Norway-W98 (NO)	14P9996	2656-72G, 7BG, 62G, 52G, 3BG, 32G, 22G, 51G, 64G
Recovery CD Norway-Win2000 (NO)	32P5344	2656-F0G, EAG, E0G, D0G, BAG, BOG, D3G, E2G
Recovery CD Netherland-W98 (NL)	14P9995	2656-72G, 7BG, 62G, 52G, 3BG, 32G, 22G, 51G, 64G

Recovery CD Netherland- Win2000 (NL)	32P5343	2656-F0G, EAG, E0G, D0G, BAG, BOG, D3G, E2G
Recovery CD Finland-W98 (FI)	14P9994	2656-72G, 7BG, 62G, 52G, 3BG, 32G, 22G, 51G, 64G
Recovery CD Finland-Win2000 (FI)	23P5342	2656-F0G, EAG, E0G, D0G, BAG, BOG, D3G, E2G
Recovery CD Italy-W98 (IT)	14P9993	2656-72G, 7BG, 62G, 52G, 3BG, 32G, 22G, 51G, 64G
Recovery CD Italy-Win2000 (IT)	32P5341	2656-F0G, EAG, E0G, D0G, BAG, BOG, D3G, E2G
Recovery CD Spanish-W98 (SP)	14P9991	2656-72G, 7BG, 62G, 52G, 3BG, 32G, 22G, 51G, 64G
Recovery CD LA-Spanish-W98	14P9986	2656-62S, 22S
Recovery CD LA-Spanish-W98	14P9986	2656-62X, 22X
Recovery CD Spanish-Win2000	32P5339	2656-F0G, EAG, E0G, D0G, BAG, BOG, D3G, E2G
Recovery CD LA Spanish-Win2000	32P5334	2656-E0S
Recovery CD LA Spanish-Win2000	32P5334	2656-E0X
Recovery CD Denmark-W98 (DK)	14P9998	2656-72G, 7BG, 62G, 52G, 3BG, 32G, 22G, 51G, 64G
Recovery CD Denmark-Win2000 (DK)	32P5336	2656-F0G, EAG, E0G, D0G, BAG, BOG, D3G, E2G
Recovery CD Sweden-W98	14P9992	2656-72G, 7BG, 62G, 52G, 3BG, 32G, 22G, 51G, 64G
Recovery CD Sweden-Win2000	32P5340	2656-F0G, EAG, E0G, D0G, BAG, BOG, D3G, E2G
Recovery CD French-W98 (FR)	14P9989	2656-72G, 7BG, 62G, 52G, 3BG, 32G, 22G, 51G, 64G
Recovery CD Canadian French-W98 (CF)	14P9985	2656-7FB, 22F, 21F
Recovery CD French-Win2000 (FR)	32P5337	2656-F0G, EAG, E0G, D0G, BAG, BOG, D3G, E2G
Recovery CD Canadian French-Win2000 (CF)	32P5333	2656-EAF, A0F, A2F

Recovery CD German-W98 (GR)	14P9990	2656-72G, 7BG, 62G, 52G, 3BG, 32G, 22G, 51G, 64G
Recovery CD German-Win2000 (GR)	32P5338	2656-F0G, EAG, E0G, D0G, BAG, BOG, D3G, E2G
Recovery CD Thailand-W98 (TH)	32P5307	2656-72Y, 7BY, 62Y, 55Y, 3BY, 32Y
Recovery CD Portuguese-W98	14P9987	2656-62P, 22P
Recovery CD Portuguese- Win2000	32P5335	2656-E0P
Recovery CD Japan-W98 (JP)	46P4465	2656-61J, 40J
Recovery CD Japan-Win2000 (JP)	46P4467	2656-EBJ, E1J, C0J
Recovery CD T. Chinese-W98 (TC)	46P6119	2656-7BT, 62T, 55T, 32T, 22T
Recovery CD S. Chinese-W98 (SC)	46P6121	2656-7BC, 62C, 55C, 32C
Recovery CD Turkey-W98 (TR)	32P5301	2656-72G, 7BG, 62G, 52G, 3BG, 32G, 22G, 51G, 64G
Recovery CD Turkey-Win2000 (TR)	32P5349	2656-F0G, EAG, E0G, D0G, BAG, BOG, D3G, E2G
Recovery CD Greek-W98 (GK)	32P5302	2656-72G, 7BG, 62G, 52G, 3BG, 32G, 22G, 51G, 64G
Recovery CD Greek-Win2000 (GK)	32P5350	2656-F0G, EAG, E0G, D0G, BAG, BOG, D3G, E2G
Recovery CD Hungary-W98 (HU)	32P5303	2656-72G, 7BG, 62G, 52G, 3BG, 32G, 22G, 51G, 64G
Recovery CD Hungary-Win2000 (HU)	32P5351	2656-F0G, EAG, E0G, D0G, BAG, BOG, D3G, E2G
Recovery CD Russia-W98 (RU)	32P5304	2656-72G, 7BG, 62G, 52G, 3BG, 32G, 22G, 51G, 64G
Recovery CD Russia-Win2000 (RU)	32P5352	2656-F0G, EAG, E0G, D0G, BAG, BOG, D3G, E2G
Recovery CD Slovenia-W98 (SI)	32P5305	2656-72G, 7BG, 62G, 52G, 3BG, 32G, 22G, 51G, 64G
Recovery CD Slovakia-W98 (SK)	32P5306	2656-72G, 7BG, 62G, 52G, 3BG, 32G, 22G, 51G, 64G



Recovery CD Polish-W98 (PO)	32P5300	2656-72G, 7BG, 62G, 52G, 3BG, 32G, 22G, 51G, 64G
Recovery CD Polish-Win2000 (PO)	32P5348	2656-F0G, EAG, E0G, D0G, BAG, BOG, D3G, E2G
Recovery CD Hebrew-W98 (HB)	14P9999	2656-72G, 7BG, 62G, 52G, 3BG, 32G, 22G, 51G, 64G
Recovery CD Hebrew-Win2000 (HB)	32P5347	2656-F0G, EAG, E0G, D0G, BAG, BOG, D3G, E2G
Recovery CD Czech-W98 (CZ)	14P9998	2656-72G, 7BG, 62G, 52G, 3BG, 32G, 22G, 51G, 64G
Recovery CD Czech-Win2000 (CZ)	32P5346	2656-F0G, EAG, E0G, D0G, BAG, BOG, D3G, E2G
Recovery CD Arabic Enalbed-W98 (AR)	14P9997	2656-72G, 7BG, 62G, 52G, 3BG, 32G, 22G, 51G, 64G
Recovery CD Arabic Enalbed-Win2000 (AR)	32P5345	2656-F0G, EAG, E0G, D0G, BAG, BOG, D3G, E2G

## Option Parts List

### Battery charges:

Description	FRU No.
Charger Main Battery Li-Ion —W/W	02K6821
Charger Main Battery Li-Ion —Japan	02K6829

### Ultrabay devices:

Description	FRU No.
CD—RW drive (SONY)	08K9617*
Diskette drive (TEAC)	08K9606*
Diskette drive (SONY)	08K9607*
SuperDisk drive (LS120 x 2)	05K9235*
SuperDisk drive (LS240)	08K9615*
ZIP—250 drive	00N8254*
2nd HDD adapter	08K6067*
Ultrabay Plus device carrier	26P9388*
Ultrabay Plus numeric keypad	19K2056*
Ultrabay Plus cradle for WorkPad c500 series	26P9389*

---

## ThinkPad R31 Part I

This section applies to the following models: 2656-9FU, 2656-9FF, 2656-IFU, 2656-IFF, 2656-7GU, 2656-7GF, 2656-GGU, 2656-GGF, 2656-HFU, 2656-HGU-OFXP, 2656-HEU, 2656-8FT-FDD, 2656-7FS/P/X, 2656-GFM, 2656-GFS/P/X, 2656-7LC-FDD, 2656-7LH-FDD, 2656-7LK-FDD, 2656-7LS/P/X, 2656-E6U, 2656-E6M, 2656-E6A-FDD, 2656-E6C-FDD, 2656-E6S/P/X, 2656-E7U, 2656-E7M, 2656-6FU, 2656-6FF, 2656-8FJ, 2656-EKK-FDD, 2656-6FG, 2656-6GT/C/H/B-FDD, 2656-EIT/C/H-FDD, 2656-6GJ-FDD, 2656-EGJ-FDD, 2656-6HJ-FDD, 2656-75J, 2656-3PM-OFXP, 2656-66K-FDD, 2656-57K-FDD, 2656-56U/G, 2656-5CG-OFXP, 2656-56A/T/C/H/K-FDD, 2656-56F, 2656-D8G, 2656-D9G-OFXP, 2656-E8T/H-FDD, 2656-4PH-FDD-OFXP, 2656-EDG, 2656-ECG-OFXP, 2656-65G, 2656-65M/A-FDD, 2656-P4A-FDD/OFXP, 2656-65C-FDD, 2656-65H-FDD/OFXP, 2656-65S/P/X, 2656-63T/H-FDD, 2656-90K-FDD, 2656-D7K-FDD, 2656-BGM, 2656-BIM-OFXP, 2656-66J-FDD, 2656-E8J-FDD, 2656-67J-FDD, 2656-57G\*2, 2656-7DC-FDD, 2656-89G-OFXP\*2, 2656-D7G\*2, 2656-DDG\*2, 2656-5DT/C/H-FDD, 2656-D6M, 2656-5PM-OFXP, 2656-D6A-FDD, 2656-5PA-FDD/OFXP, 2656-D6T/B-FDD, 2656-HHU, 2656-HHJ-FDD, 2656-HHG, 2656-5ZG-OFXP\*2, 2656-HHM, 2656-HHA/T/C/H-FDD, 2656-HHK-FDD, 2656-HHF/S/P/X, 2656-FFU, 2656-FFJ-FDD, 2656-FFG, 2656-40G\*2, 2656-FFM, 2656-FFA/T/C/H-FDD, 2656-FFK-FDD, 2656-FFF/S/P/X, 2656-CJU, 2656-AGM, 2656-47J, 2656-27G, 2656-35G-OFXP, 2656-36G\*2, 2656-27A/T/H/K-FDD, 2656-ABG, 2656-ADG-OFXP, 2656-BBG\*2, 2656-ABM, 2656-ADM-OFXP, 2656-ABT-FDD, 2656-AAG, 2656-ACG-OFXP, 2656-BCG\*2, 2656-AAM, 2656-26M-FDD, 2656-45J-FDD, 2656-C5J-FDD, 2656-48J-FDD, 2656-3FU, 2656-BFU, 2656-BEU, 2656-58S/P/X, 2656-D5S/P/X, 2656-2FG, 2656-2FS/P/X, 2656-AFU, 2656-AFG, 2656-AFS/P/X, 2656-AEU/G, 2656-25U, 2656-25F/S/P/X, 2656-A5U, 2656-AKU-OFXP, 2656-A5S/P/X, 2656-A4U, 2656-28G, 2656-31G\*2, 2656-AHG, 2656-AJG\*2, 2656-A9G, 2656-B2G\*2, 2656-EFU, 2656-EHU-OFXP, 2656-EFJ-FDD, 2656-EFG/M, 2656-EFA/T/C/H/K-FDD, 2656-EFF/S/P/X, 2656-EEU, 2656-EEJ-FDD, 2656-EEG/M, 2656-EEA/T/C/H/K-FDD, 2656-EEF/S/P/X, 2656-J2U, 2656-J2J-FDD, 2656-J2G/M, 2656-J2A/T/C/H/K-FDD, 2656-J2F/S/P/X, 2656-J1U, 2656-J1J-FDD, 2656-J1G/M, 2656-J1A/T/C/H/K-FDD, 2656-J1F/S/P/X, 2656-E5U, 2656-E5J-FDD, 2656-E5G/M, 2656-E5A/T/C/H/K-FDD, 2656-E5F/S/P/X, 2656-E4U, 2656-E4J-FDD, 2656-E4G/M, 2656-E4A/T/C/H/K-FDD, 2656-E4F/S/P/X, 2656-K6U, 2656-K4U, 2656-K2U, 2656-K7U, 2656-K5U, 2656-K3U,

2656-K9J, 2656-K8J, 2656-H8U, 2656-H9U-OFXP,  
2656-H7U, 2656-H4U, 2656-H5U, 2656-H6U-OFXP,  
2656-FGU, 2656-FEU, 2656-F5U, 2656-F4U, 2656-M4U,  
2656-L4U, 2656-99U, 2656-88U, 2656-C2G,  
2656-C3G, 2656-BKG, 2656-BHG, 2656-77U, 2656-AGU,  
2657-FGU, 2657-FEU, 2657-F5U, 2657-F4U, 2657-J2U,  
2657-J2J-FDD, 2657-J2G/M, 2657-J2A/T/C/H/K-FDD,  
2657-J2F/S/P/X, 2657-J1U, 2657-J1J-FDD, 2657-J1G/M,  
2657-J1A/T/C/H/K-FDD, 2657-J1F/S/P/X, 2657-E5U,  
2657-E5J-FDD, 2657-E5G/M, 2657-E5A/T/C/H/K-FDD,  
2657-E5F/S/P/X, 2657-E4U, 2657-E4J-FDD, 2657-E4G/M,  
2657-E4A/T/C/H/K-FDD, 2657-E4F/S/P/X, 2657-MMU,  
2657-MMJ-FDD, 2657-MMG/M, 2657-MMA/T/C/H/K-FDD,  
2657-MMF/S/P/X, 2657-LLU, 2657-LLJ-FDD, 2657-LLG/M,  
2657-LLA/T/C/H/K-FDD, 2657-LLF/S/P/X, 2657-99U,  
2657-88U, 2657-77U, 2676-J2U, 2676-J2J-FDD,  
2676-J2G/M, 2676-J2A/T/C/H/K-FDD, 2676-J2F/S/P/X,  
2676-J1U, 2676-J1J-FDD, 2676-J1G/M,  
2676-J1A/T/C/H/K-FDD, 2676-E5F/S/P/X, 2676-E5U,  
2676-E5J-FDD, 2676-E5G/M, 2676-E5A/T/C/H/K-FDD,  
2676-E5F/S/P/X, 2676-E4U, 2676-E4J-FDD, 2676-E4G/M,  
2676-E4A/T/C/H/K-FDD, 2676-E4F/S/P/X.

## Product overview

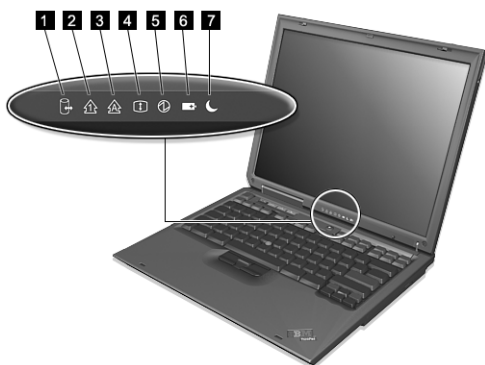
The following shows an overview of the system features.

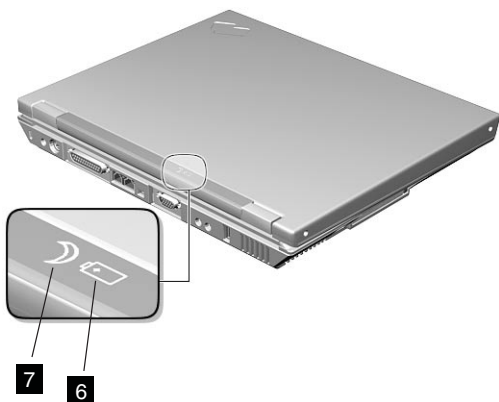
Feature	Description
Processor	Intel Pentium III processor 1.00/1.13GHz, Intel Celeron processor 1.06GHz
Bus architecture	Host bus 64bits/133 MHz, PCI 32 bits/33 MHz, LPC 4bits/33MHz, PCMCIA 16 bits, Cardbus 32 bits/32 MHz
System memory	128 MB or 256 MB base main memory on system board PC 133  Two 144pins SODIMM slots supports 64 MB, 128MB, 256MB, and 512MB DIMM cards  Frequency: PC 133  Maximum size: 1024 MB
CMOS RAM	242 bytes + 4 Kbytes
Video	Intel 830 MG with 2D/3D Graphics accelerator.  Dynamically variable video memory size  13.3–inch, 24 bit true colors, 1024x768 pixel TFT XGA color LCD  14.1–inch, 24 bit true colors, 1024x768 pixel TFT XGA color LCD
Audio	AC97 audio Intel  16–bit audio  Internal stereo speakers
Diskette drive (optional)	External 1.44MB (3–mode), 3.5 inch floppy drive via USB interface (Bootable)
Hard disk drive	10GB, 20GB, 30GB, or 40GB, 2.5–inch 9.5mm height, E-IDE interface
CD-ROM drive	CD-ROM: 5.25–inch, 24X speed, E-IDE interface  DVD— ROM : 8X speed  DVD/ CD— RW : 8X DVD/ CD-RW  CD-RW
Modem	Integrated CDC soft Modem 56 Kbps Data/Fax Modem
Ethernet (optional)	LAN on motherboard . It supports 10/100Mbps






Feature	Description
IEEE 1394 (optional)	Ti TSB43AB21 1394 controller on board  IEEE 1394.a 4-pin connector — no cable power  100Mbps, 200Mbps and 400Mbps
PC Card (PCMCIA)	One Type I/II or Type III
I/O ports	External monitor  Speaker-out  Microphone-in  DC-in  TV-out (S-Video out)  Parallel  Two USBs  IEEE 1394a (Selected models only)  Telephone (RJ11)  LAN (RJ45, Selected models only)
Power	72-Watt AC Adapter  6-cell Li-Ion & 8-cell NiMH Battery Packs (Dumb Battery)

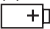

## Status indicators

The system-status indicators on the computer show the current status of your computer by their on or off states and colors (green and orange). Each indicator is identified with a symbol. The following shows the location and the meaning of each icon:





Symbol	Color	Meaning
(1) Drive in use 	Green	Data is being read from or written to the hard disk. Do not enter standby mode or power off the computer when this indicator is on.
(2) Numeric lock 	Green	The numeric keypad on the keyboard is enabled. You enable or disable the keypad by pressing and holding the <b>Shift</b> key, and pressing the <b>NumLk</b> key. For details, see the <i>User's Reference</i> .
(3) Caps lock 	Green	Caps Lock mode is enabled. All alphabetic characters (A-Z) are entered in capital letters without the <b>Shift</b> key being pressed. You enable or disable the Caps Lock mode by pressing the <b>Caps Lock</b> key.
(4) Scroll lock 	Green	Scroll Lock mode is enabled. The <b>Arrow</b> keys can be used as screen-scroll function keys. The cursor cannot be moved with the <b>Arrow</b> keys. <i>Not all application programs support this function.</i> You enable or disable Scroll Lock mode by pressing the <b>ScrLk</b> key.
(5) Power on 	Green	The computer is operational. This indicator is on when the computer is on.

Symbol	Color	Meaning
(6) Battery status 	Green	Enough battery power remains for operation.
	Blinking green	The battery power charges up to 80% full power
	Blinking orange	The battery pack needs to be charged
	Orange	The battery pack is being charged.
(7) Standby mode 	Green	The computer is in standby mode

## FRU tests

The following table shows the applicable test for each FRU using PC-Doctor.

FRU	Applicable test
System board	<ol style="list-style-type: none"> <li>1. CPU/Coprocessor (<b>Diagnostics</b>)</li> <li>2. System board (<b>Diagnostics</b>)</li> </ol>
Power	Battery ( <b>Diagnostics</b> )
LCD unit	<ol style="list-style-type: none"> <li>1. Video Adapter (<b>Diagnostics</b>)</li> <li>2. Video (<b>Interactive Tests</b>)</li> </ol>
Modem	<ol style="list-style-type: none"> <li>1. Make sure the modem set up correctly.</li> <li>2. Replacing the modem jack and modem card one at a time, run the modem tests in Other Devices (<b>Diagnostics</b>)</li> </ol>
Audio	Internal Speaker ( <b>Interactive Tests</b> )  Stereo Speaker ( <b>Interactive Tests</b> )
Speaker	System beeper: Internal Speaker ( <b>Interactive Tests</b> )
PC Card slots	System board ( <b>Diagnostics</b> )
Keyboard	<ol style="list-style-type: none"> <li>1. Keyboard (<b>Diagnostics</b>)</li> <li>2. Keyboard (<b>Interactive Tests</b>)</li> </ol>

FRU	Applicable test
TrackPoint or Pointing device	<p>If the TrackPoint does not work, see if an external PS/2 mouse is connected to the mouse/keyboard connector and remove it. The TrackPoint is automatically disabled if an external PS/2 mouse is attached. Check also if the TrackPoint driver is correctly installed by accessing Windows Device Manager via the System icon in the Control Panel.</p> <p>After you use the TrackPoint, the pointer drifts on the screen for a short time. This self-acting pointer movement can occur when a slight, steady pressure is applied to the TrackPoint pointer. This symptom is not a hardware problem. No service actions are necessary if the pointer movement stops in a short period of time.</p> <p>If this does not correct the TrackPoint problem, continue with the following: Mouse (<b>Interactive Tests</b>).</p>
Hard disk drive	Fixed Disks ( <b>Diagnostics</b> )
CD-ROM drive	CD-ROM, DVD, CD-RW, DVD/CD-RW ( <b>Interactive Tests</b> )
Memory	<ol style="list-style-type: none"> <li>1. If a DIMM is installed, remove it and run Memory Test-Quick (<b>Diagnostics</b>)</li> <li>2. If the problem does not recur, replace the DIMM and run the test again.</li> <li>3. If the test does not detect the error, run Memory Test-Full (<b>Diagnostics</b>)</li> </ol>
Fan	<ol style="list-style-type: none"> <li>1. Power on system and check the air turbulence at the louver at the rear of the computer.</li> <li>2. Run the fan test in Other Devices (<b>Diagnostics</b>).</li> </ol>



## FRU removals and replacements

This section contains information about removals and replacements.

- Do not damage any parts. Only certified and trained personnel should service the computer.
- The arrows in this section show the direction of movement to remove a FRU, or to turn a screw to release the FRU. The arrows are marked in numeric order, in square callout, to show the correct sequence of removal.
- Any FRUs that must be removed before removing the failing FRU are listed at the top of the page.
- To replace a FRU, reverse the removal procedure and follow any notes that pertain to replacement. See “Locations” on page 136 for internal cable connections and arrangement information.
- When replacing a FRU, use the correct screw size, as shown in the procedure.

### **Safety Notice 1**

Translations in “Safety Notices (Multi-lingual Translations)” section: Before the computer is powered-on after FRU replacement, make sure all screws, springs, or other small parts are in place and are not left loose inside the computer. Verify this by shaking the computer and listening for rattling sounds. Metallic parts or metal flakes can cause electrical shorts.

### **Safety Notice 3**

Translations in “Safety Notices (Multi-lingual Translations)” section: The battery pack contains small amounts of nickel. Do not disassemble it, throw it into fire or water, or short-circuit it. Dispose of the battery pack as required by local ordinances or regulations. Use only the battery in the appropriate parts listing when replacing the battery pack. Use of an incorrect battery can result in ignition or explosion of the battery.

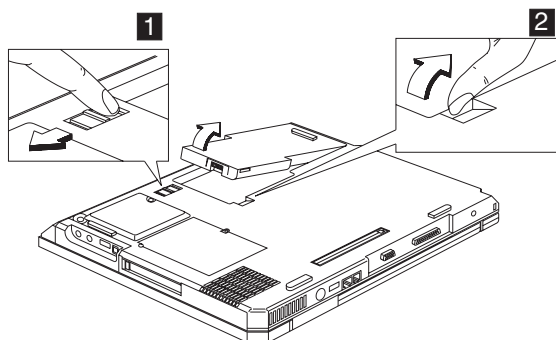
### **Safety Notice 8**

Translations in "Safety Notices (Multi-lingual Translations)" section: Before removing any FRU, power-off the computer, unplug all power cords from electrical outlets, remove the battery pack, then disconnect any interconnecting cables.

**Attention:** The system board is sensitive and can be damaged by electronic discharge. Establish personal grounding by touching a ground point with one hand before touching these units.

An electrostatic discharge (ESD) strap (P/N: 6405959) must be used to establish personal grounding.

## **1010 Battery assembly**



### **Warning**

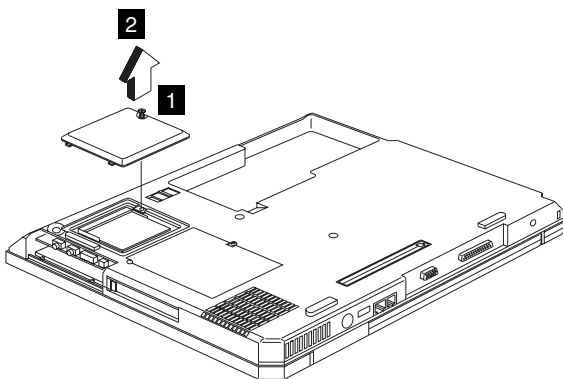
Battery packs are capable of delivering high currents for a significant amount of time. Do not short the battery terminals.

### **CAUTION:**

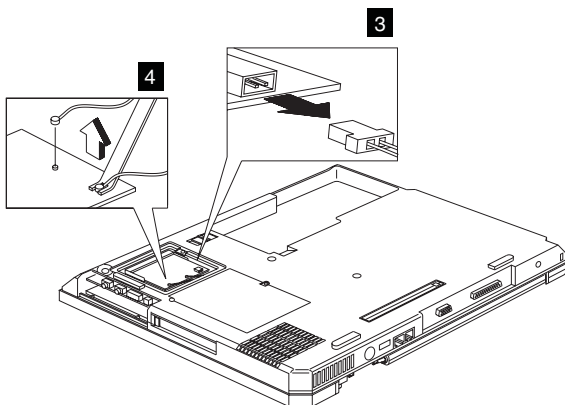
**Danger of explosion if battery is incorrectly replaced. Replace only with the same or equivalent type recommended by the manufacturer. Dispose of used batteries according to the manufacturer's instructions.**

## **1020 Mini-PCI cover and Mini-PCI card**

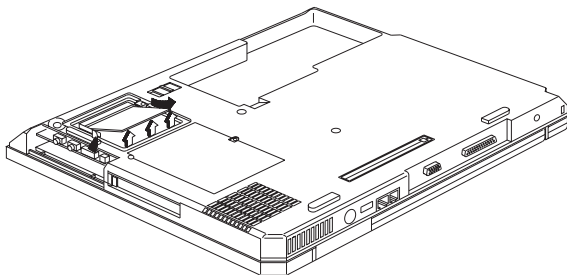
- "1010 Battery assembly"



**Note:** The screw does not separate from the PCI cover.



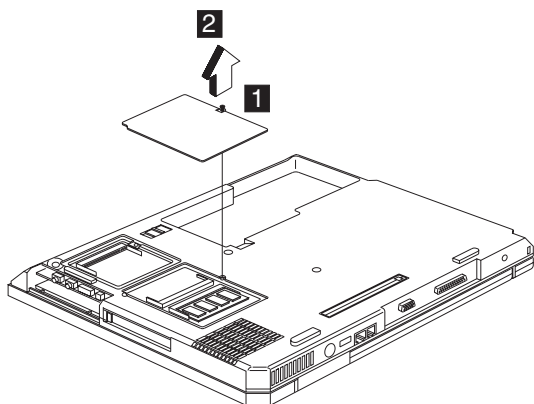
**Note:** There are 2 cables on step 4 : The gray cable is the main antenna and the black cable is the auxiliary antenna.



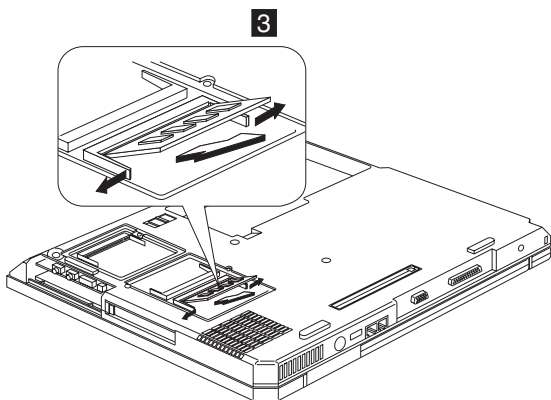
**Note:** When you install the PCI card, remember to press it down and ensure the connection is well.

## 1030 Memory cover and Memory card

- “1010 Battery assembly” on page 108



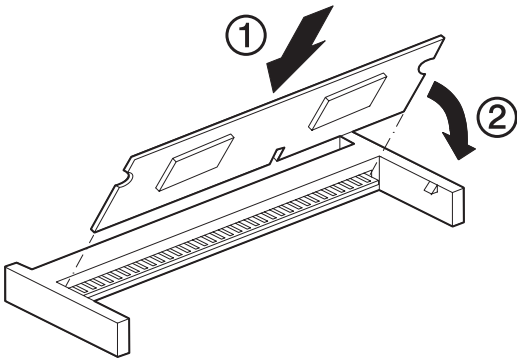
**Note:** The screw does not separate from the memory cover.



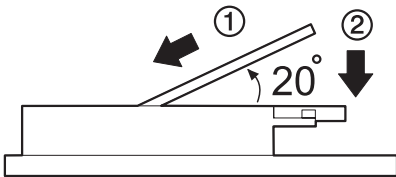
To install the memory card:

With the notched end of the memory card toward the right side of the socket, insert the memory card, at an angle of approximately 20°, into the socket; then press it firmly.

Pivot the memory card until it snaps into place.

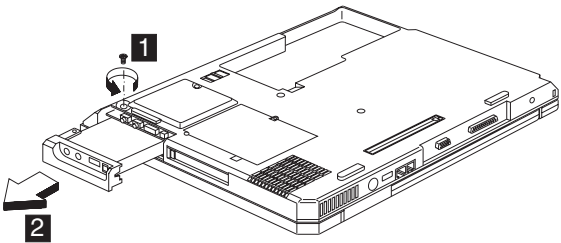


Side View



## 1040 Hard disk drive assembly

- “1010 Battery assembly” on page 108



Step	Size (Quantity)	Color	Torque
1	M3 x L4 (1)	Black	3.2 kgf-cm

### **Warning**

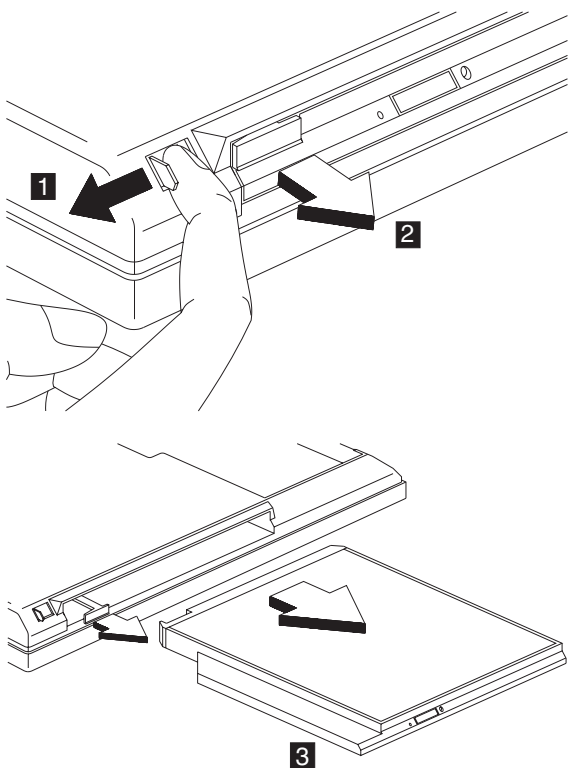
Do not drop or apply any shock to the hard disk drive. The hard disk drive is sensitive to physical shock. Incorrect handling can cause damage and permanent loss of data on the drive.

Before removing the drive, have the user make a backup copy of all the information on the drive if possible.

Never remove the drive while the system is operating or is in suspend mode.

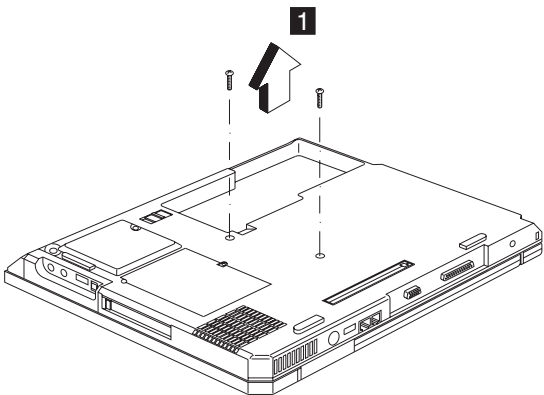
### **1050 CD-ROM assembly**

- “1010 Battery assembly” on page 108

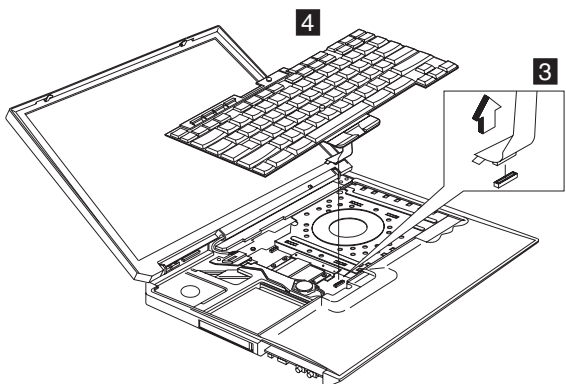
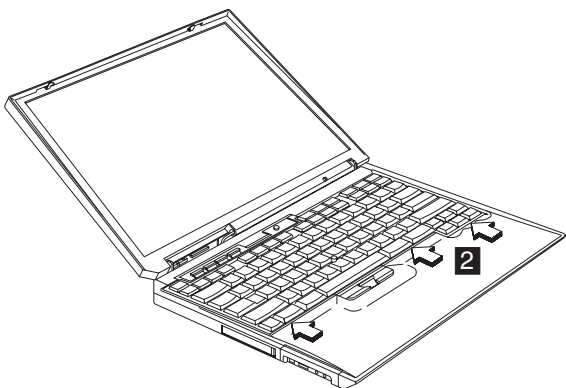


### **1060 Keyboard**

- “1010 Battery assembly” on page 108



Step	Size (Quantity)	Color	Torque
1	M2.5 x L10 (2)	Black	3.2 kgf-cm

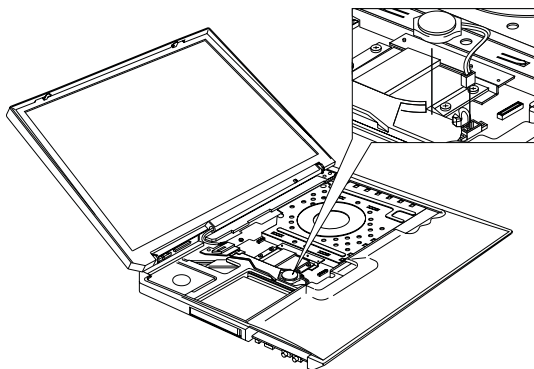


## Notes:

1. When replacing the keyboard, make sure that the cable is clean and insert it directly into the connector, making sure it makes contact with the bottom of the connector.
2. If the cable do not touch the bottom of the connector, the keyboard function will be rendered useless.
3. The cable of the keyboard are fragile and could be damaged. Be careful when pulling out the cable.

## 1070 Backup battery

- “1010 Battery assembly” on page 108
- “1060 Keyboard” on page 112



## CAUTION:

**Danger of explosion if battery is incorrectly replaced. Replace only with the same or equivalent type recommended by the manufacturer. Dispose of used batteries according to manufacturer's instruction.**

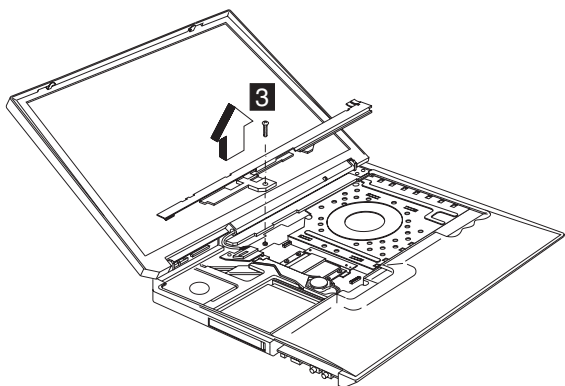
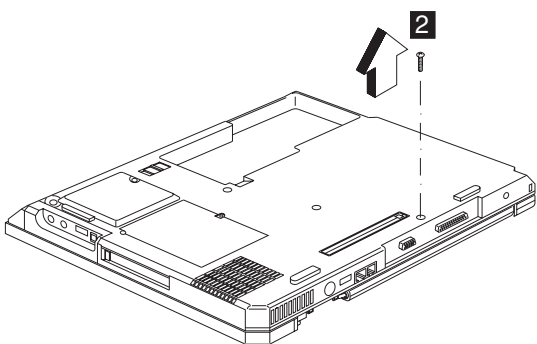
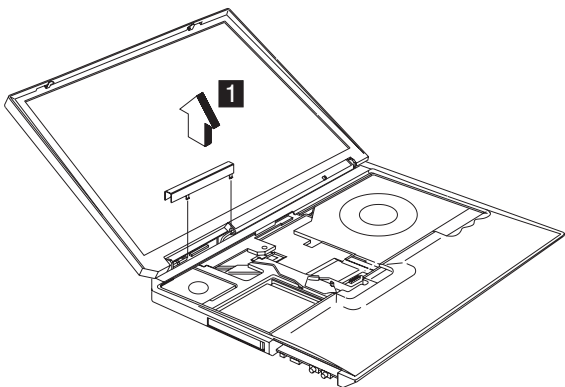
### Safety Notice 4

Translation in "Safety Notices: Multi-lingual Translations" section: The backup battery is a lithium battery and can cause a fire, an explosion, or severe burns. Do not recharge it, remove its polarized connector, disassemble it, heat it above 100°C (212°F), incinerate it, or expose its cell contents to water. Dispose of the battery as required by local ordinances or regulations. Use of an incorrect battery can result in ignition or explosion of the battery. Replacement batteries can be ordered from IBM or IBM Authorized Dealers.

## 1080 Middle cover

- “1010 Battery assembly” on page 108
- “1060 Keyboard” on page 112

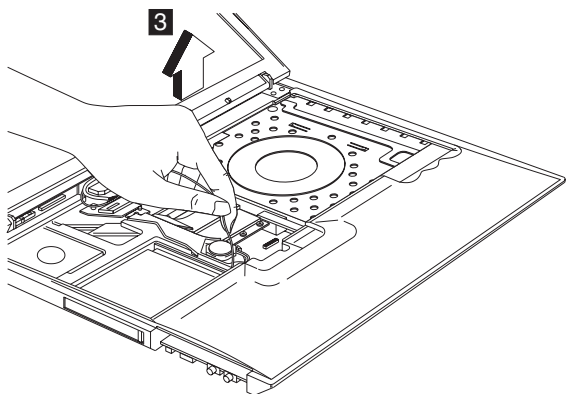
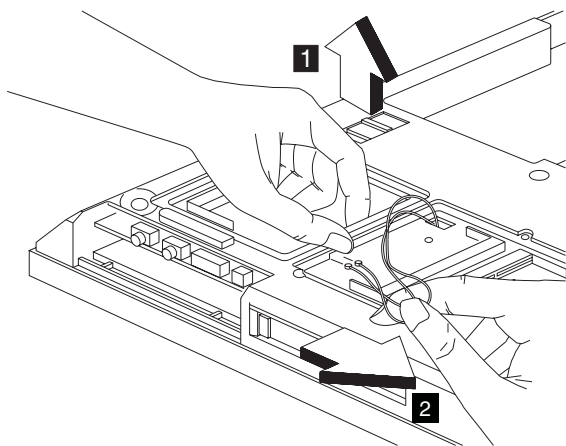




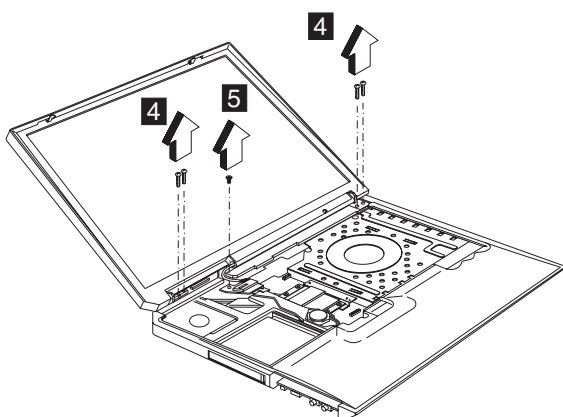
Step	Size (Quantity)	Color	Torque
2	M2.5 x L10 (1)	Black	3.2 kgf-cm
3	M2.5 x L10 (1)	Black	2.5 kgf-cm

## 1090 LCD assembly

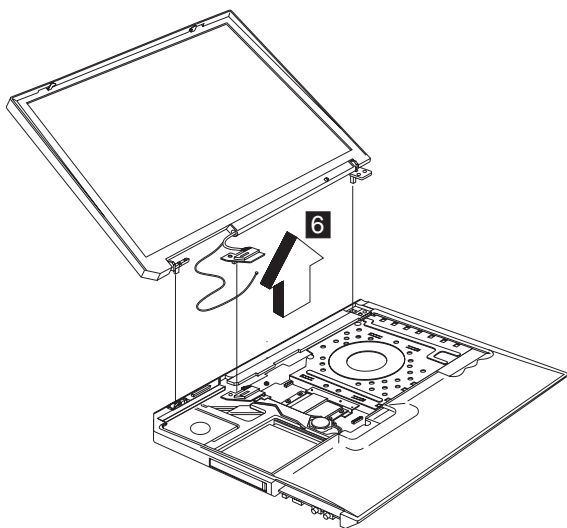
- “1010 Battery assembly” on page 108
- “1060 Keyboard” on page 112
- “1080 Middle cover” on page 114
- “1020 Mini-PCI cover and Mini-PCI card” on page 108
- “1030 Memory cover and Memory card” on page 110



**Note:** Release the gray cable, which is the main antenna from the system.



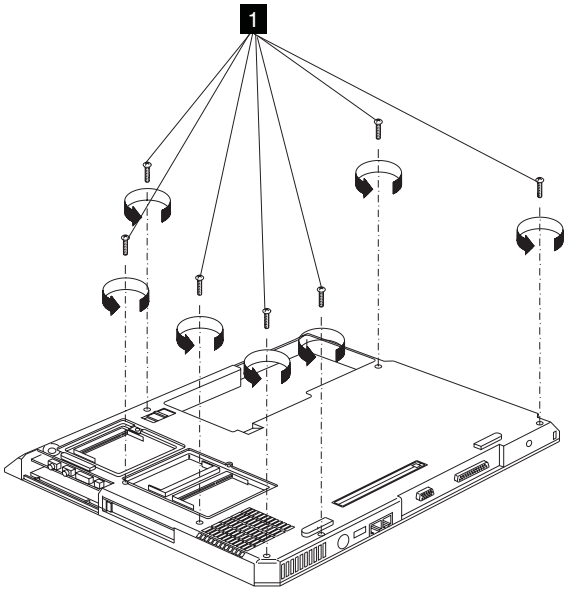
Step	Size (Quantity)	Color	Torque
4	M2.5 x L10 (4)	Black	3.6 kgf-cm
5	M2.5 x L5 (1)	Silver	2.5 kgf-cm



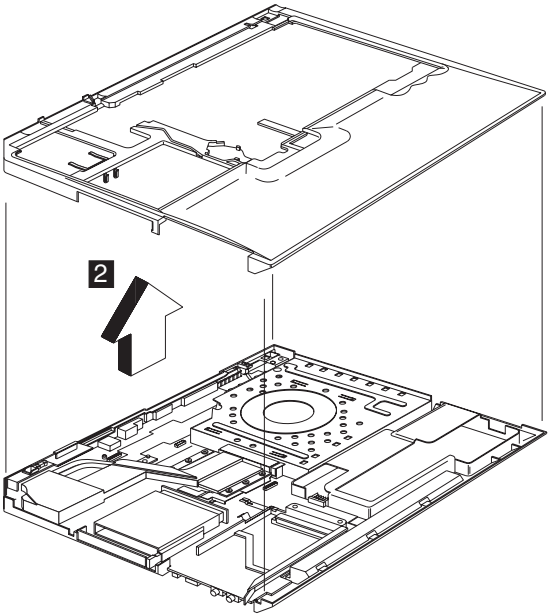
## 1100 Keyboard bezel

- “1010 Battery assembly” on page 108
- “1060 Keyboard” on page 112
- “1080 Middle cover” on page 114
- “1090 LCD assembly” on page 116

- “1070 Backup battery” on page 114



Step	Size (Quantity)	Color	Torque
1	M2.5 x L10 (7)	Black	3.2 kgf-cm

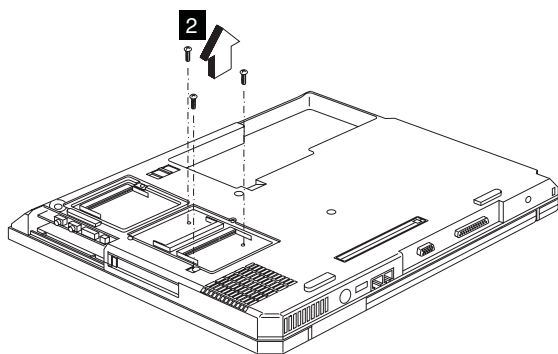
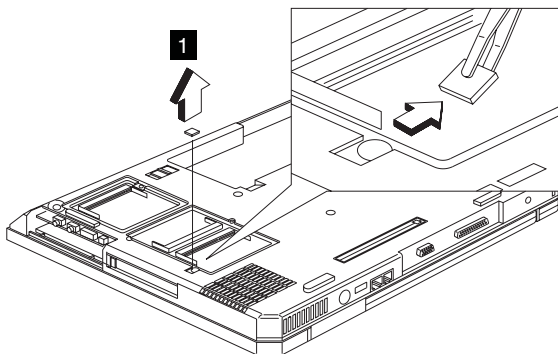


**CAUTION:**

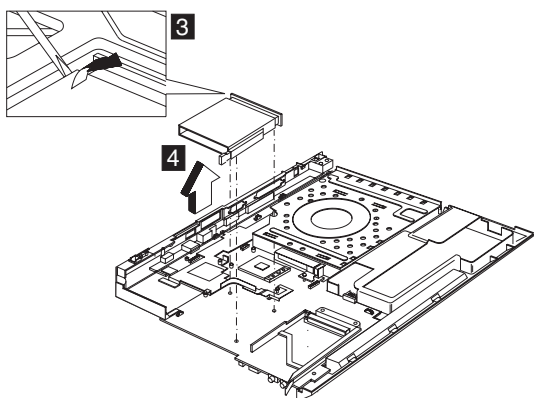
The keyboard bezel has several latches. When removing the keyboard bezel from the bottom cover, gently release these latches, then raise the side of the keyboard bezel facing the palm rest to remove it. Be careful not to break the latches.

**1110 PCMCIA holder**

- “1010 Battery assembly” on page 108
- “1020 Mini-PCI cover and Mini-PCI card” on page 108
- “1030 Memory cover and Memory card” on page 110
- “1060 Keyboard” on page 112
- “1080 Middle cover” on page 114
- “1090 LCD assembly” on page 116
- “1070 Backup battery” on page 114
- “1100 Keyboard bezel” on page 117



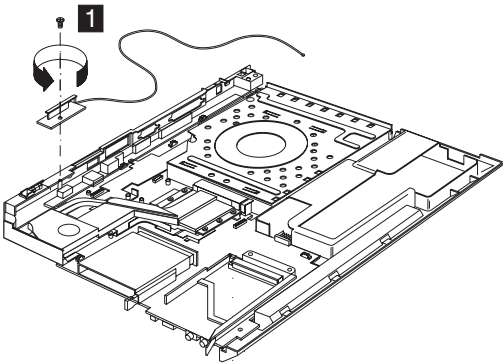
Step	Size (Quantity)	Color	Torque
2	M2 x L6 (3)	Silver	1.6 kgf-cm



**Note:** Before removing and replacing the PCMCIA holder, make sure that the PCMCIA cards are removed and the eject levers are sticking out.

## 1120 Auxiliary Antenna

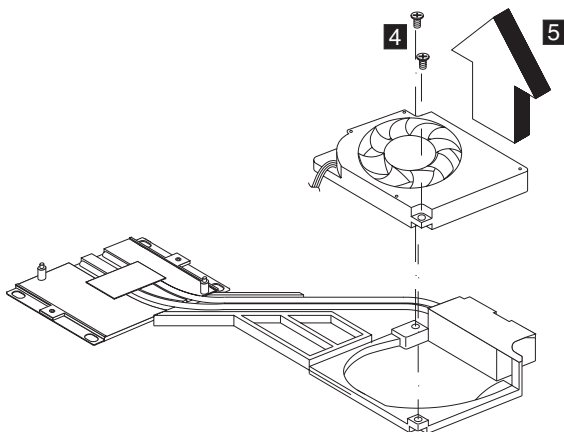
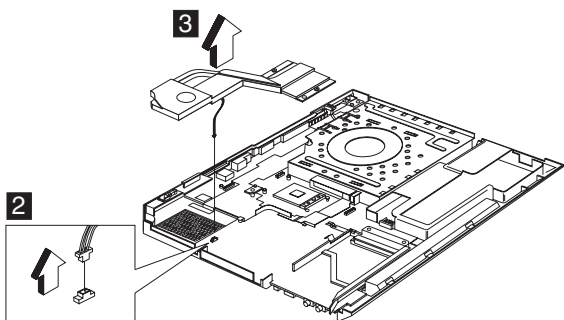
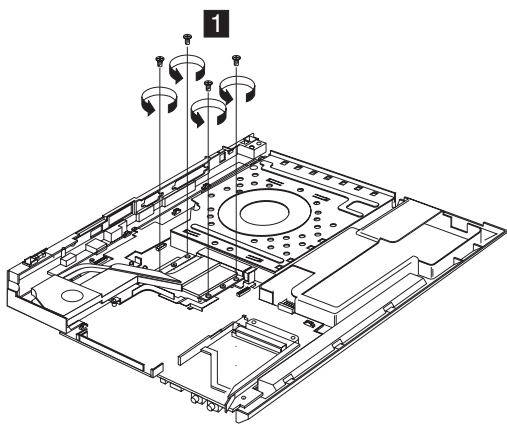
- “1010 Battery assembly” on page 108
- “1020 Mini-PCI cover and Mini-PCI card” on page 108
- “1030 Memory cover and Memory card” on page 110
- “1060 Keyboard” on page 112
- “1080 Middle cover” on page 114
- “1090 LCD assembly” on page 116
- “1070 Backup battery” on page 114
- “1100 Keyboard bezel” on page 117



Step	Size (Quantity)	Color	Torque
1	M2.5 x L5(1)	Silver	2.5 kgf-cm

## 1130 Fan assembly

- “1010 Battery assembly” on page 108
- “1020 Mini-PCI cover and Mini-PCI card” on page 108
- “1030 Memory cover and Memory card” on page 110
- “1060 Keyboard” on page 112
- “1080 Middle cover” on page 114
- “1090 LCD assembly” on page 116
- “1070 Backup battery” on page 114
- “1100 Keyboard bezel” on page 117

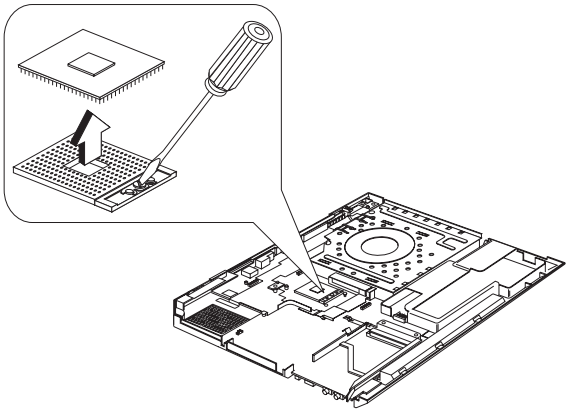


Step	Size (Quantity)	Color	Torque
3	M2.5 x L5 (2)	Silver	3.2 kgf-cm



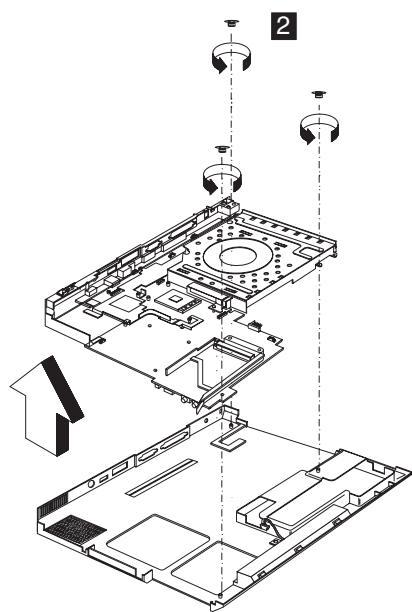
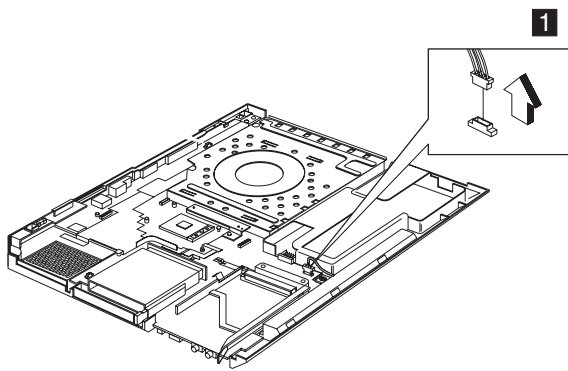
## 1140 CPU assembly

- “1010 Battery assembly” on page 108
- “1020 Mini-PCI cover and Mini-PCI card” on page 108
- “1030 Memory cover and Memory card” on page 110
- “1060 Keyboard” on page 112
- “1080 Middle cover” on page 114
- “1090 LCD assembly” on page 116
- “1070 Backup battery” on page 114
- “1100 Keyboard bezel” on page 117
- “1130 Fan assembly” on page 121



## 1150 System board

- “1010 Battery assembly” on page 108
- “1020 Mini-PCI cover and Mini-PCI card” on page 108
- “1030 Memory cover and Memory card” on page 110
- “1040 Hard disk drive assembly” on page 111
- “1050 CD-ROM assembly” on page 112
- “1060 Keyboard” on page 112
- “1080 Middle cover” on page 114
- “1090 LCD assembly” on page 116
- “1070 Backup battery” on page 114
- “1100 Keyboard bezel” on page 117



Step	Size (Quantity)	Color	Torque
2	M2.5 x L5(3)	Silver	2.5 kgf-cm

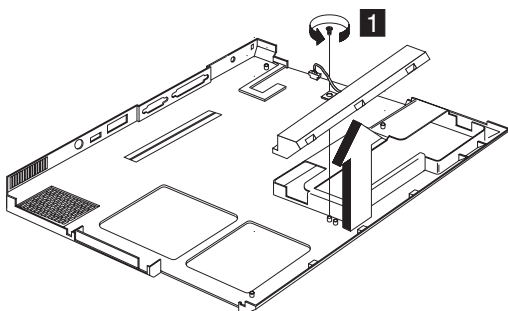
**Notes:**

1. When removing the system board from the bottom cover, gently raise the side of the system board facing the rear I/O ports; then pull out the system board.

**1160 Speaker**

- “1010 Battery assembly” on page 108
- “1020 Mini-PCI cover and Mini-PCI card” on page 108

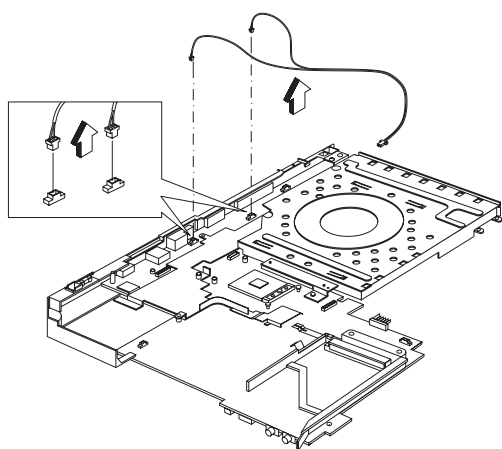
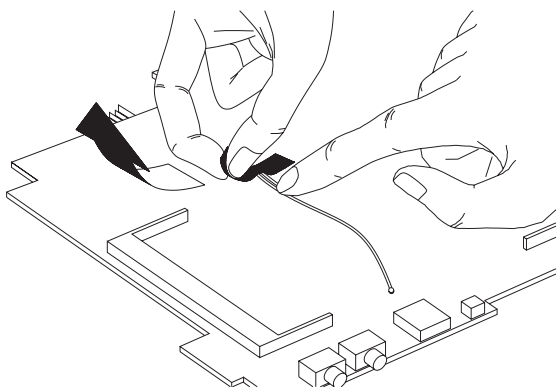
- “1030 Memory cover and Memory card” on page 110
- “1040 Hard disk drive assembly” on page 111
- “1050 CD-ROM assembly” on page 112
- “1060 Keyboard” on page 112
- “1080 Middle cover” on page 114
- “1090 LCD assembly” on page 116
- “1070 Backup battery” on page 114
- “1100 Keyboard bezel” on page 117



Step	Size (Quantity)	Color	Torque
2	M2.5 x L4(1)	Black	2.5 kgf-cm

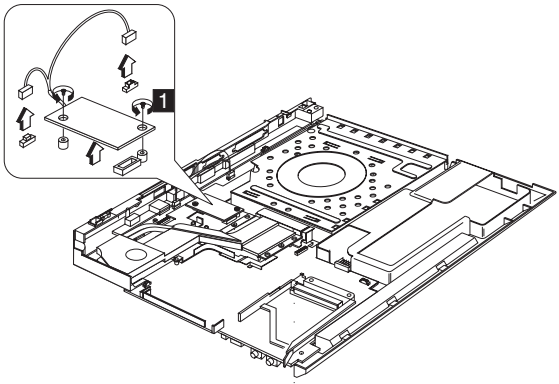
### 1170 Modem Cable (with Combo card)

- “1010 Battery assembly” on page 108
- “1020 Mini-PCI cover and Mini-PCI card” on page 108
- “1030 Memory cover and Memory card” on page 110
- “1040 Hard disk drive assembly” on page 111
- “1050 CD-ROM assembly” on page 112
- “1060 Keyboard” on page 112
- “1080 Middle cover” on page 114
- “1090 LCD assembly” on page 116
- “1070 Backup battery” on page 114
- “1100 Keyboard bezel” on page 117
- “1150 System board” on page 123



## 1180 Modem Card (without Combo card)

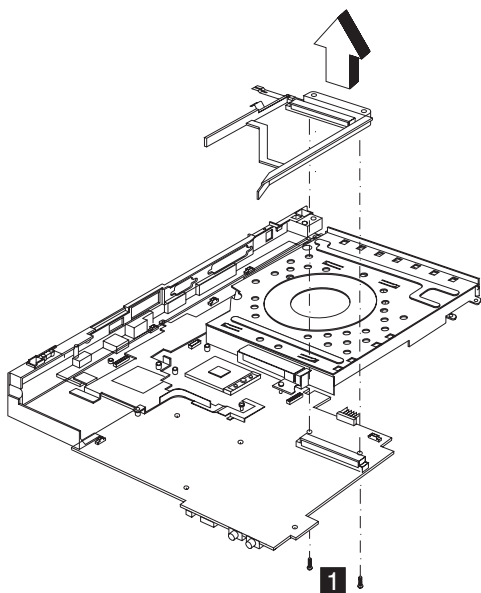
- “1010 Battery assembly” on page 108
- “1020 Mini-PCI cover and Mini-PCI card” on page 108
- “1030 Memory cover and Memory card” on page 110
- “1040 Hard disk drive assembly” on page 111
- “1050 CD-ROM assembly” on page 112
- “1060 Keyboard” on page 112
- “1080 Middle cover” on page 114
- “1090 LCD assembly” on page 116
- “1070 Backup battery” on page 114
- “1100 Keyboard bezel” on page 117
- “1150 System board” on page 123



Step	Size (Quantity)	Color	Torque
1	M2.5 x L5 (2)	Silver	3.2 kgf-cm

### 1190 Hard disk drive bezel

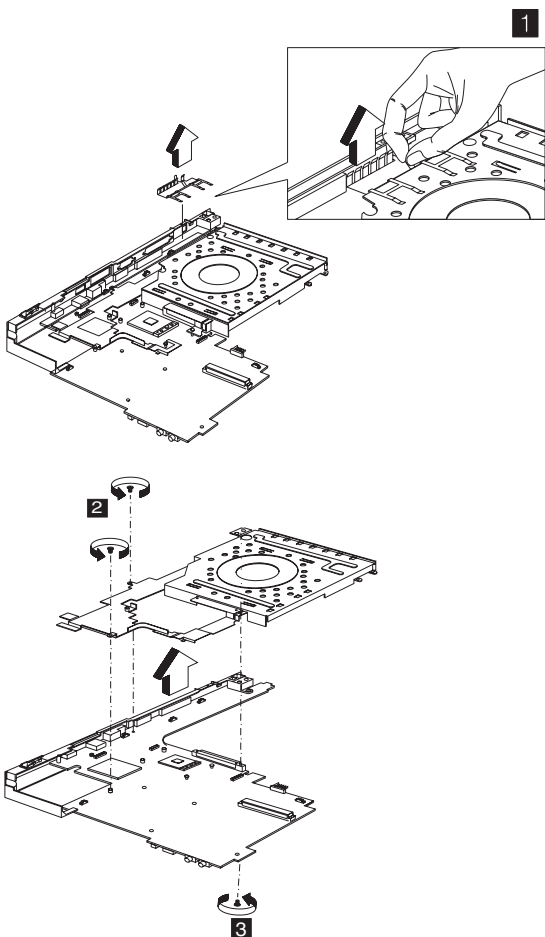
- “1010 Battery assembly” on page 108
- “1020 Mini-PCI cover and Mini-PCI card” on page 108
- “1030 Memory cover and Memory card” on page 110
- “1040 Hard disk drive assembly” on page 111
- “1050 CD-ROM assembly” on page 112
- “1060 Keyboard” on page 112
- “1080 Middle cover” on page 114
- “1090 LCD assembly” on page 116
- “1070 Backup battery” on page 114
- “1100 Keyboard bezel” on page 117
- “1150 System board” on page 123



Step	Size (Quantity)	Color	Torque
1	M2 x L6 (2)	Silver	1.6 kgf-cm

## 1200 CD-ROM chassis

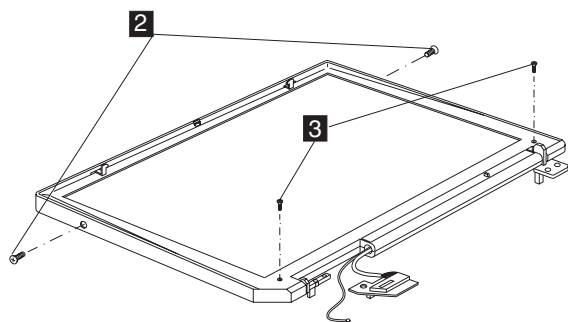
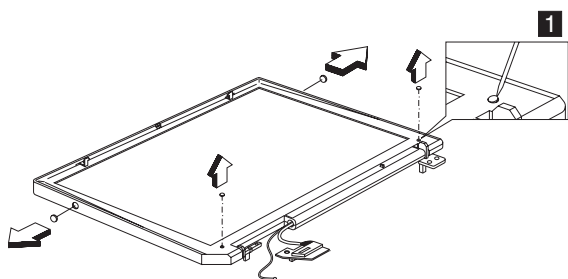
- “1010 Battery assembly” on page 108
- “1020 Mini-PCI cover and Mini-PCI card” on page 108
- “1030 Memory cover and Memory card” on page 110
- “1040 Hard disk drive assembly” on page 111
- “1050 CD-ROM assembly” on page 112
- “1060 Keyboard” on page 112
- “1080 Middle cover” on page 114
- “1090 LCD assembly” on page 116
- “1070 Backup battery” on page 114
- “1100 Keyboard bezel” on page 117
- “1150 System board” on page 123
- “1170 Modem Cable (with Combo card)” on page 125



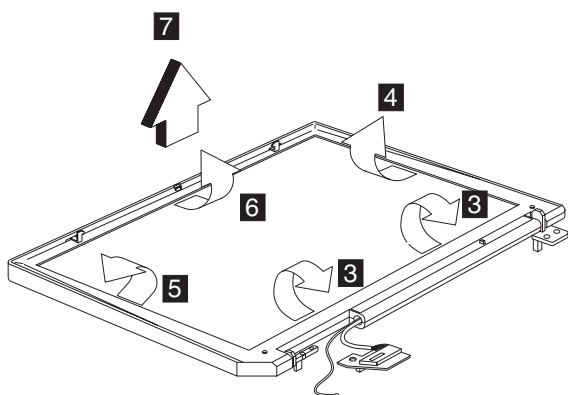
Step	Size (Quantity)	Color	Torque
2	M2.5 x L5 (2)	Silver	3.2 kgf-cm
3	M2 x L6 (1)	Silver	1.6 kgf-cm

## 1210 LCD bezel assembly (13.3")

- "1010 Battery assembly" on page 108
- "1020 Mini-PCI cover and Mini-PCI card" on page 108
- "1030 Memory cover and Memory card" on page 110
- "1060 Keyboard" on page 112
- "1080 Middle cover" on page 114
- "1090 LCD assembly" on page 116



Step	Size (Quantity)	Color	Torque
2	M2 x L4(2)	Silver	2.5 kgf-cm
3	M2.5 x L6(2)	Black	2.5 kgf-cm



**Note:** When removing the LCD, take note of the following:

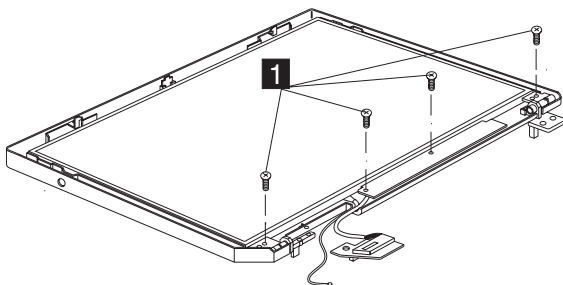
- Be careful not to scratch the LCD bezel when removing the screw mylars.



- The LCD bezel has several latches. Release these latches; then remove the LCD bezel. Be careful not to break these latches.
- Gently push the two LCD latches outward to remove the LCD bezel.

## 1220 LCD Inveter (13.3")

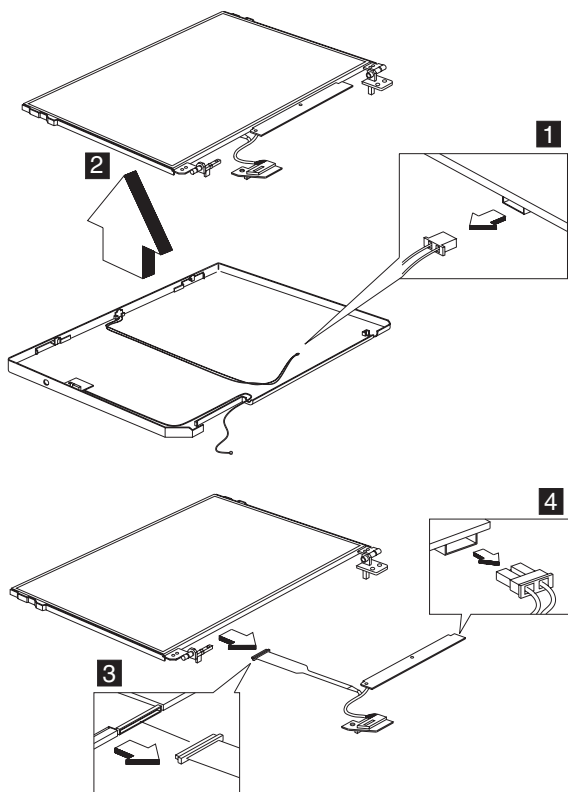
- "1010 Battery assembly" on page 108
- "1020 Mini-PCI cover and Mini-PCI card" on page 108
- "1030 Memory cover and Memory card" on page 110
- "1060 Keyboard" on page 112
- "1080 Middle cover" on page 114
- "1090 LCD assembly" on page 116
- "1210 LCD bezel assembly (13.3")" on page 129



Step	Size (Quantity)	Color	Torque
1	M2 x L10(4)	Black	2.5 kgf-cm

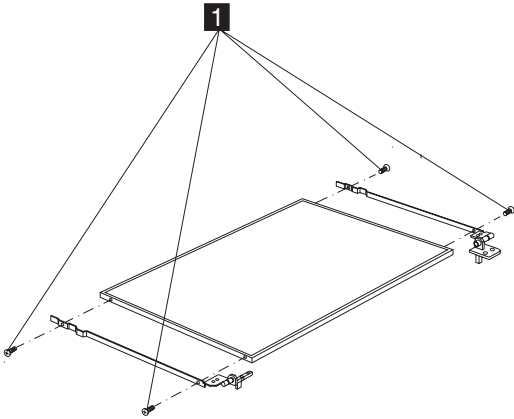
## 1230 LED board (13.3")

- "1010 Battery assembly" on page 108
- "1020 Mini-PCI cover and Mini-PCI card" on page 108
- "1030 Memory cover and Memory card" on page 110
- "1060 Keyboard" on page 112
- "1080 Middle cover" on page 114
- "1090 LCD assembly" on page 116
- "1210 LCD bezel assembly (13.3")" on page 129



## 1240 LCD bracket hinge assembly (13.3")

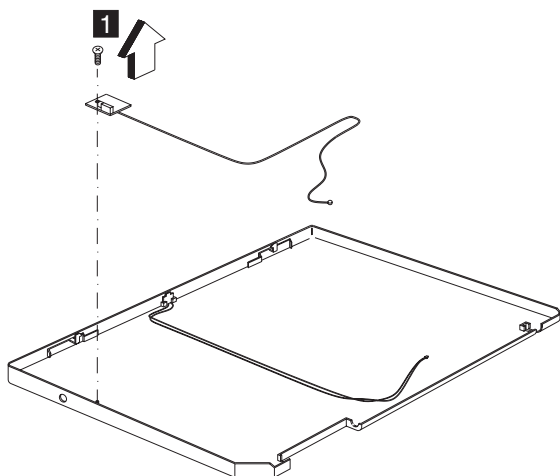
- "1010 Battery assembly" on page 108
- "1020 Mini-PCI cover and Mini-PCI card" on page 108
- "1030 Memory cover and Memory card" on page 110
- "1060 Keyboard" on page 112
- "1080 Middle cover" on page 114
- "1090 LCD assembly" on page 116
- "1210 LCD bezel assembly (13.3")" on page 129
- "1220 LCD Inveter (13.3")" on page 131
- "1230 LED board (13.3")" on page 131



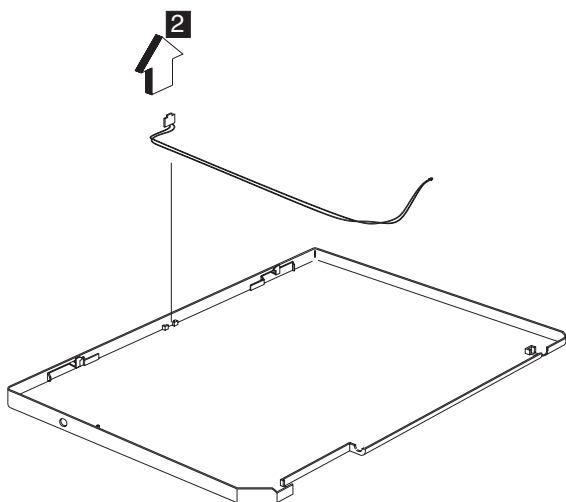
Step	Size (Quantity)	Color	Torque
1	M2 x L4 (4)	Silver	2.5 kgf-cm

### 1250 LCD FPC assembly (13.3")

- "1010 Battery assembly" on page 108
- "1020 Mini-PCI cover and Mini-PCI card" on page 108
- "1030 Memory cover and Memory card" on page 110
- "1060 Keyboard" on page 112
- "1080 Middle cover" on page 114
- "1090 LCD assembly" on page 116
- "1210 LCD bezel assembly (13.3")" on page 129
- "1220 LCD Inveter (13.3")" on page 131
- "1230 LED board (13.3")" on page 131
- "1240 LCD bracket hinge assembly (13.3")" on page 132

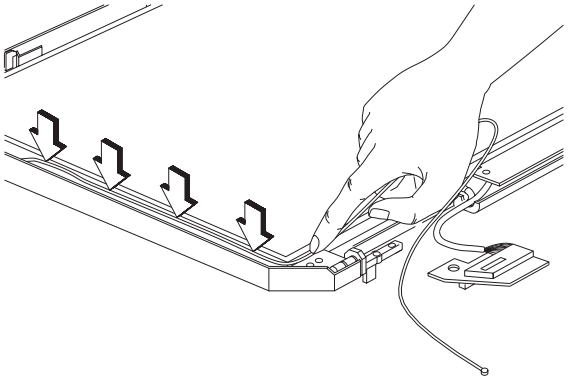


Step	Size (Quantity)	Color	Torque
1	M2 x L4(1)	Silver	2.5 kgf-cm



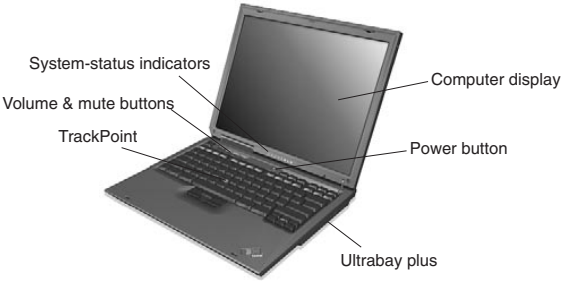
### 1260 Wireless reassembly

- “1240 LCD bracket hinge assembly (13.3”)” on page 132
- “1230 LED board (13.3”)” on page 131

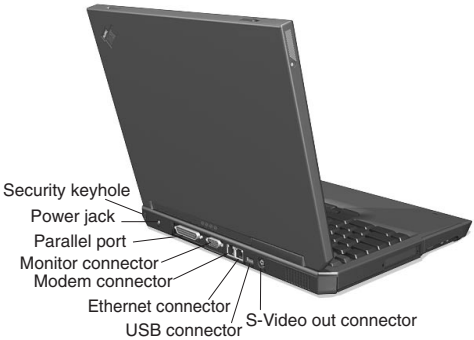


# Locations

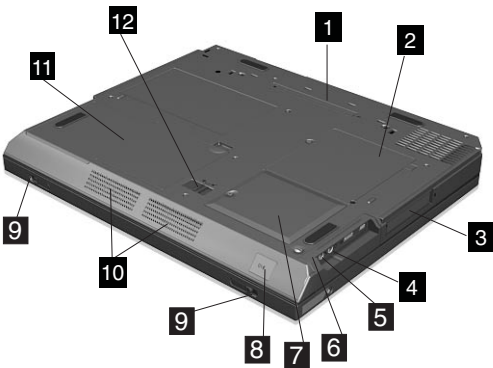
## Front View



## Rear View



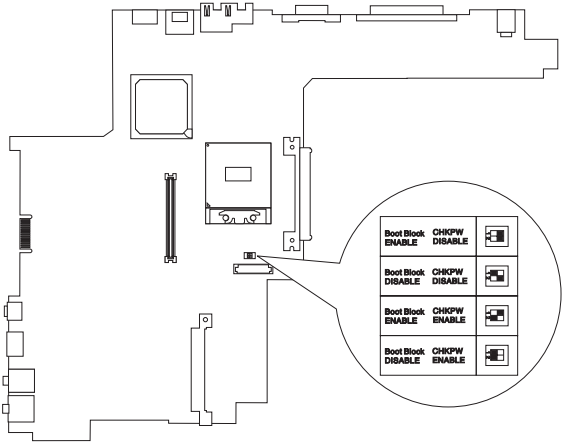
## Bottom View



- 1. Battery pack
- 2. Mini-PCI Card slot door

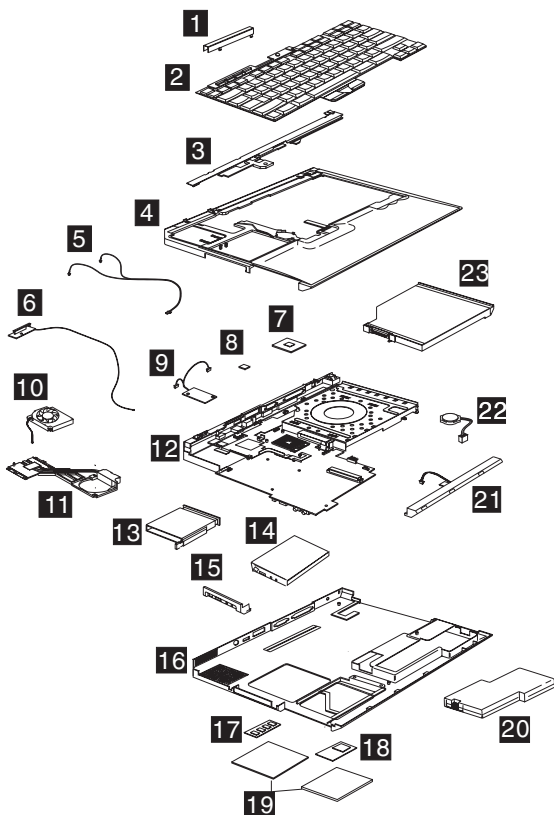
3. Memory slot door
4. Docking connector

# Switch Locations





## Parts list



**Note:** The parts marked with asterisk are CRUs (customer replaceable units.)

No.	Description	FRU No.
1	Hinge Cap	26P9722
2	Keyboard ("Keyboard" on page 145)	
3	Middle Cover ASM WW	26P9727
4	KBD Bezel Asm. WW	46L6378
5	Cable Asm. kit , RJ11 and lid switch RJ-11 Cable for CDC board model RJ-11 Cable mini PCI combo board model Lid switch Cable	27L0689

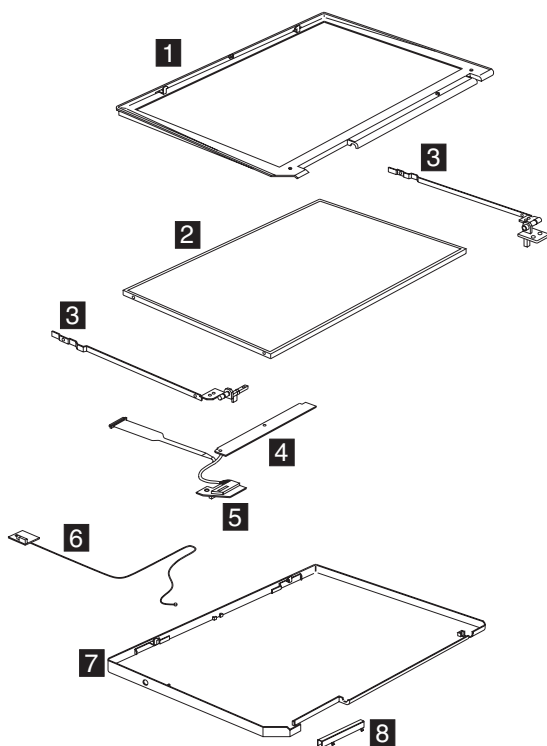
No.	Description	FRU No.
6	Antenna Kit 13.3"	26P9712
	Antenna Kit 14.1"	26P9711
	Antenna Aux	
	Antenna LCD	
7	CPU Cel 1066 MHz	26P8155
	CPU P-III 1.00 GHz	26P8359
	CPU P-III 1.06 GHz	26P8283
	CPU P-III 1.20 GHz	26P8285
8	Crypto Card	26P8084
9	CDC Modem Card	26P8256
10	FAN Asm.	26P9723
11	Heatsink	46L6365
12	Planar w/o IEEE1394	26P8305
	Planar w/ IEEE1394	26P8307
13	PCMCIA Slot	26P9724
14	HDD w/tray & screws module IBM /10 GB	08K9796*
	HDD w/tray & screws module HITACHI /10 GB	08K9798*
	HDD w/tray & screws module IBM /20 GB	08K9729*
	HDD w/tray & screws module HITACHI /20 GB	08K9731*
	HDD w/tray & screws module IBM /20 GB	08K9761*
	HDD w/tray & screws module HITACHI /20 GB	08K9763*
	HDD w/tray & screws module IBM /30 GB	08K9665*
	HDD w/tray & screws module HITACHI /30 GB	08K9666*
	HDD w/tray & screws module IBM /30 GB	08K9733*
	HDD w/tray & screws module HITACHI /30 GB	08K9746*
	HDD w/tray & screws module IBM /40 GB	08K9742*
	HDD w/tray & screws module HITACHI /40 GB	08K9744*
15	HDD Cover WW	26P9737
16	Lower Case w/ label WW	12P4323
	Lower Case w/ label EMEA	12P4324
	Lower Case w/ label IIPC	12P4325
	Lower Case w/ label Korea	12P4326

No.	Description	FRU No.
	Lower Case w/ label Taiwan	12P4327
	Lower Case w/ label India	46L6371
	Lower Case w/ label India 2656	12P4333
	Lower Case w/ label W/W 2657	12P4334
	Lower Case w/ label EMEA 2657	12P4335
	Lower Case w/ label IIPC 2657	12P4336
	Lower Case w/ label Korea 2657	12P4337
	Lower Case w/ label Taiwan 2657	12P4338
	Lower Case w/ label India 2657	12P4339
	Lower Case w/ label W/W 2676	12P4340
	Lower Case w/ label EMEA 2676	12P4341
	Lower Case w/ label IIPC 2676	12P4342
	Lower Case w/ label Korea 2676	12P4343
	Lower Case w/ label Taiwan 2676	12P4344
	Lower Case w/ label India 2676	12P4345
	Lower Case w/ label WW-wireless	12P4328
	Lower Case w/ label EMEA-wireless	12P4329
	Lower Case w/ label IIPC-wireless	12P4330
	Lower Case w/ label Korea-wireless	12P4331
	Lower Case w/ label Taiwan-wireless	12P4332
17	SoDIMM Asm. –128MB	19K4653*
	SoDIMM Asm.—256MB	19K4655*
18	Actiontec IEEE 802.11b/Modem combo card-WinXP	12P3637
19	Mini-PCI / DIMM door kit	46L6335*
20	Battery Assy. (Ni-Mh)	
	Sanyo-W/W	02K6827*
	Sanyo-Japan	02K6835*
	Battery Assy. (Li-Ion)	
	Sanyo-W/W	02K6822*
	Sanyo-Japan	02K6830*
	Panasonic-W/W	02K6824*
	Panasonic-Japan	02K6832*
21	Speaker Kit	02K5989
22	RTC Battery	02K7062
23	CD-ROM Module	
	TEAC	27L3436*
	HLDS(LG)	27L4301*

No.	Description	FRU No.
	DVD-ROM Module MKE HLDS(Hitachi)	08K9648* 08K9646*
	CD-RW Module SONY TEAC	27L4231* 08K9644*
	CD-RW/DVD-ROM combo Module KME	08K9694*
	Rubber Kit PCMCIA screw cap* 3 rubber foot * 3 LCD bezel screw cap (W/W) *4 IEEE-1394 dummy label IEEE-1394 icon label	26P9742
	Screw Kit HDD COIN SCREW M/B HEX SCREW SCREW DIMM COVER STEEL SCREW MACH PAN NYLOK M2.0*13 NI BH MSN+N SCREW M2.0*6 SCREW MACH FLAT M3*2.8 SCREW HDD M3*L4 WCH MSN+CZ SCREW M2.5*5 SCREW M2.5L10B 86.9A353100 SCREW M2.5*6 SCREW M2.4 WAFER NI	26P9741
	Misc common Battery Knob Battery Latch Battery Spring CD-ROM Pull bar CD-ROM Latch CD-ROM Spring for latch CD-ROM Spring for CD-ROM pull bar PCMCIA door PCMCIA Spring	26P9740

## LCD FRU

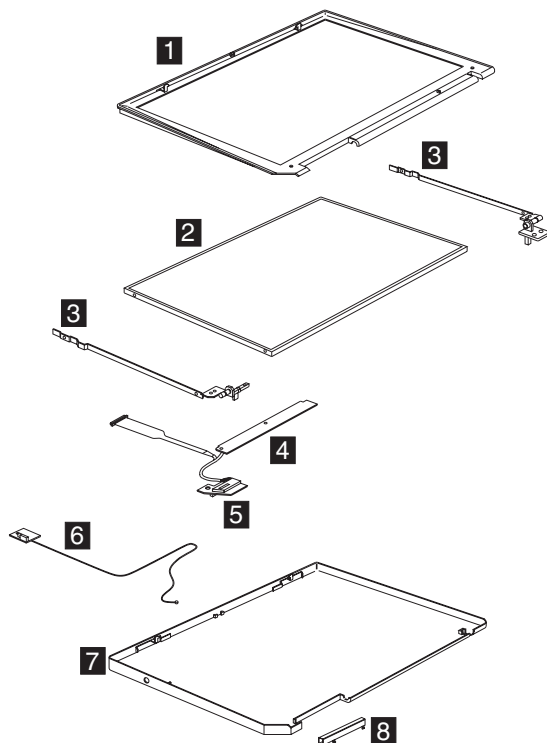
### 13.3-inch TFT:



No.	Description	FRU No.
1	13.3" LCD Bezel	46L6330
2	LCD Panel Asm (13.3" TFT) Tori-Sanyo LG	11P8212 11P8220
3	13.3" Hinge-Bracket Asm (R,L)	26P9720
4	LCD-Invertor / LED card (for 13.3" & 14.1" TFT)	26P8139
	LCD-Invertor / LED card —Sumida (for 13.3" & 14.1" TFT)	26P8153
5	LCD cable Asm.	27L0687
6	Antenna Kit 13.3" LCD Antenna w/ 13.3" LCD Antenna aux	26P9712

No.	Description	FRU No.
7	LCD Rear Cover Asm for 13.3"/14.1" ( for Wireless model ) 13.3"/14.1" LCD rear cover 13.3"/14.1" LCDPanel W/Wireless IBM Logo	26P9709
	LCD Rear Cover Asm for 13.3"/14.1" 13.3"/14.1" LCD rear cover 13.3"/14.1" LCDPanel W/O Wireless IBM Logo	26P9707
8	LCD Hinge Cap	26P9722
	LG/IBM Logo Kit for LCD Rear Cover for KBD Bezel	08K5860

#### 14.1-inch TFT:



No.	Description	FRU No.
1	14.1" LCD Bezel (for W/W)	46L6329

No.	Description	FRU No.
2	LCDPanel Asm. (14.1" TFT)  Hyundai  Samsung  LG	11P8214  46L2356  11P8210
3	14.1" Hinge-Bracket Asm (R,L)	26P9719
4	LCD-Invertor / LED card (for 13.3" & 14.1" TFT)	26P8139
	LCD-Invertor / LED card —Sumida (for 13.3" & 14.1" TFT)	26P8153
5	LCD cable Asm.	27L0686
6	Antenna Kit 14.1" LCD Antenna w/ 14.1" LCD Antenna aux	26P9711
7	LCD Rear Cover Asm for 13.3"/14.1" (for W/W) 13.3"/14.1" LCD rear cover 13.3"/14.1" LCDPanel W/Wireless IBM Logo	26P9709
	LCD Rear Cover Asm for 13.3"/14.1" (for W/O W) 13.3"/14.1" LCD rear cover 13.3"/14.1" LCDPanel W/O Wireless IBM Logo	26P9707
8	LCD Hinge Cap Asm.	26P9722
	LG/IBM Logo Kit for LCD Rear Cover for KBD Bezel	08K5860

## Keyboard

Description	Vendor	FRU No.
KBD ASM US English	NMB	12P4260*
KBD ASM Canadian French	NMB	12P4262*
KBD ASM German	NMB	12P4264*
KBD ASM UK English	NMB	12P4266*
KBD ASM French	NMB	12P4268*
KBD ASM Dutch	NMB	12P4270*
KBD ASM Swedish/Finnish	NMB	12P4272*
KBD ASM Norwegian	NMB	12P4274*
KBD ASM Danish	NMB	12P4276*
KBD ASM Italian	NMB	12P4278*
KBD ASM European Spanish	NMB	12P4280*

<b>Description</b>	<b>Vendor</b>	<b>FRU No.</b>
KBD ASM Belgian	NMB	12P4282*
KBD ASM Switzerland	NMB	12P4284*
KBD ASM Portuguese	NMB	12P4286*
KBD ASM Russian	NMB	12P4290*
KBD ASM Slovakian	NMB	12P4306*
KBD ASM Slovenian	NMB	12P4304*
KBD ASM Traditional Chinese	NMB	12P4310*
KBD ASM Turkish	NMB	12P4296*
KBD ASM Arabic	NMB	12P4288*
KBD ASM Hebrew	NMB	12P4292*
KBD ASM Polish	NMB	12P4294*
KBD ASM Czech	NMB	12P4298*
KBD ASM Hungarian	NMB	12P4300*
KBD ASM Greek	NMB	12P4302*
KBD ASM Japan	NMB	12P4308*
KBD ASM Korea	NMB	12P4312*
KBD ASM La Spanish	NMB	12P4314*
KBD ASM US English	Chicony	02K6212*
KBD ASM Canadian French	Chicony	02K6214*
KBD ASM German	Chicony	02K6216*
KBD ASM UK English	Chicony	02K6218*
KBD ASM French	Chicony	02K6220*
KBD ASM Dutch	Chicony	02K6222*
KBD ASM Swedish/Finnish	Chicony	02K6224*
KBD ASM Norwegian	Chicony	02K6226*
KBD ASM Danish	Chicony	02K6228*
KBD ASM Italian	Chicony	02K6230*
KBD ASM European Spanish	Chicony	02K6232*
KBD ASM Belgian	Chicony	02K6234*
KBD ASM Switzerland	Chicony	02K6236*
KBD ASM Portuguese	Chicony	02K6238*
KBD ASM Arabic	Chicony	02K6240*
KBD ASM Russian	Chicony	02K6242*
KBD ASM Hebrew	Chicony	02K6244*
KBD ASM Polish	Chicony	02K6246*
KBD ASM Turkish	Chicony	02K6248*
KBD ASM Czech	Chicony	02K6250*
KBD ASM Hungarian	Chicony	02K6252*
KBD ASM Greek	Chicony	02K6254*
KBD ASM Slovenian	Chicony	02K6256*



Description	Vendor	FRU No.
KBD ASM Slovakian	Chicony	02K6258*
KBD ASM Japan	Chicony	02K6260*
KBD ASM Traditional Chinese	Chicony	08K4500*
KBD ASM Korea	Chicony	08K4502*
KBD ASM La Spanish	Chicony	08K4504*

## Common parts list

### Tools:

Description	FRU No.
Tri-Connector Wrap Plug	72X8546
PC Test Card	35G4703
Audio Wrap Cable	66G5180
USB Parallel Test Cable	05K2580
Screwdriver Kit	95F3598
5mm Socket Wrench	05K4694
Screwdriver	27L8126
Wireless Antenna Connector Removal Tool	08K7159
ThinkPad hardware maintenance diskette version 1.10	

**Note:** The data may look the same with the sample hmm but the diskette version is different.

### Telephone cable:

Description	FRU No.
Telephone cable (US/C, TWN, APS, LA, BRZL)	27L0465
Telephone cable (UK, IR, NZ)	27L0442
Telephone cable (Germany)	27L0441
Telephone cable (Italy)	27L0448
Telephone cable (France)	27L0443
Telephone cable (DK, DE, PO)	27L0447
Telephone cable (SW, SU)	27L0445
Telephone cable (FI, NO, NS)	27L0446
Telephone cable (Australia)	27L0467
Telephone cable (ND, NU)	27L0444
Telephone cable (SF, SI, SG, SE)	27L0462
Telephone cable (BE, BK, BS, BD, BF)	27L0451
Telephone cable (Austria)	27L0449
Telephone cable (Spain)	27L0450

## AC adapter:

Description	FRU No.
AC Adapter, 72W 3-pin (Astec)	02K6751*
AC Adapter, 72W 3-pin (Delta)	02K6754*
AC Adapter, 72W 2-pin (Astec)	02K6753*
AC Adapter, 72W 2-pin (Delta)	02K6756*

**Power cords:** IBM power cords for a specific country are usually available only in that country.

### *For 2-pin power cords:*

IBM power cord part number	Used in these countries or regions
13H5264*	Canada, U.S.A.
13H5273*	Japan
36L8870*	Argentina
49P2095*	Brazil

For 3-pin power cords:

**Note:** The grounded adapter is required for full MPRII compliance. If a 3-pin power cord came with your computer, see "Safety Information" on page 13.

IBM power cord part number	Used in these countries or regions
76H3514*	Australia, New Zealand
76H3516*	Taiwan, Thailand
76H3530*	Italy
76H3520*	Denmark
76H3524*	UK, Hong Kong
76H3518*	European Countries
76H3522*	South Africa, India
76H3532*	Israel
76H3535*	Korea
02K0539*	China (P.R.C.)
76H3528*	Switzerland

## Recovery CD List:

Description	FRU No.	Models
-------------	---------	--------

Recovery CD Eng-XP Home (UD)	32P6416	2656–65G, 6FG, 56G, 27G, 28G, 2FG, 57G, 26G, 31G, 35G, 5CG
Recovery CD Eng-XP Home (UD)	32P6415	2656–3FU, 25U, 7GU, 9FU, 6FU, 56U
Recovery CD Eng-XP Home (US)	32P6415	2656–7LH, 63H, 6GH, 5DH, 27H, 56H
Recovery CD Eng-XP Home (US)	32P6415	2656–65A, 56A, 27A, 4PA ; 65M, 26M
Recovery CD Norway-XP Home	32P6428	2656–56G, 6FG, 56G, 27G, 28G, 2FG, 28G, 26G, 31G, 35G, 5CG
Recovery CD Netherland-XP Home	32P6427	2656–56G, 6FG, 56G, 27G, 28G, 2FG, 28G, 26G, 31G, 35G, 5CG
Recovery CD Finland-XP Home	32P6426	2656–56G, 6FG, 56G, 27G, 28G, 2FG, 28G, 26G, 31G, 35G, 5CG
Recovery CD Italy-XP Home	32P6425	2656–56G, 6FG, 56G, 27G, 28G, 2FG, 28G, 26G, 31G, 35G, 5CG
Recovery CD Spanish-XP Home	32P6423	2656–56G, 6FG, 56G, 27G, 28G, 2FG, 28G, 26G, 31G, 35G, 5CG
Recovery CD LA Spanish-XP Home	32P6418	2656–7LS, 7FS, 65S, 58S, 25S, 2FS
Recovery CD LA Spanish-XP Home	32P6418	2656–7LX, 7FX, 65X, 58X, 25X, 2FX
Recovery CD Denmark-XP Home	32P6420	2656–56G, 6FG, 56G, 27G, 28G, 2FG, 28G, 26G, 31G, 35G, 5CG
Recovery CD Sweden-XP Home	32P6424	2656–56G, 6FG, 56G, 27G, 28G, 2FG, 28G, 26G, 31G, 35G, 5CG
Recovery CD French-XP Home	32P6421	2656–7LS, 7FS, 65S, 58S, 25S, 2FS
Recovery CD Canadian French-XP Home	32P6417	2656–7GF, 9FF, 6FF, 56F, 25F,
Recovery CD German-XP Home	32P6422	2656–56G, 6FG, 56G, 27G, 28G, 2FG, 28G, 26G, 31G, 35G, 5CG
Recovery CD Portuguese-XP Home	32P6419	2656–7LP, 7FP, 65P, 58P, 25P, 2FP
Recovery CD Japan-XP Home	46P6946	2656–6GJ, 66J, 45J, 46J, 44J
Recovery CD Traditional Chinese-XP Home	62P8524	2656–8FT, 63T, 6GT, 56T, 27T, 5DT
Recovery CD Simplified Chinese-XP Home	62P8527	2656–65C, 6GC, 56C, 5DC, 7LC, 7DC

Recovery CD HongKong Traditional Chinese-XP Home	62P8530	2656-6GB
Recovery CD Turkey-XP Home	32P6433	2656-56G, 6FG, 56G, 27G, 28G, 2FG, 28G, 26G, 31G, 35G, 5CG
Recovery CD Greek-XP Home	32P6434	2656-56G, 6FG, 56G, 27G, 28G, 2FG, 28G, 26G, 31G, 35G, 5CG
Recovery CD Hungary-XP Home	32P6435	2656-56G, 6FG, 56G, 27G, 28G, 2FG, 28G, 26G, 31G, 35G, 5CG
Recovery CD Russian-XP Home	32P6436	2656-56G, 6FG, 56G, 27G, 28G, 2FG, 28G, 26G, 31G, 35G, 5CG
Recovery CD Polish-XP Home	32P6432	2656-56G, 6FG, 56G, 27G, 28G, 2FG, 28G, 26G, 31G, 35G, 5CG
Recovery CD Hebrew-XP Home	32P6431	2656-56G, 6FG, 56G, 27G, 28G, 2FG, 28G, 26G, 31G, 35G, 5CG
Recovery CD CZ-XP Home	32P6430	2656-56G, 6FG, 56G, 27G, 28G, 2FG, 28G, 26G, 31G, 35G, 5CG
Recovery CD Arabic Enabled-XP Home	32P6429	2656-56G, 6FG, 56G, 27G, 28G, 2FG, 28G, 26G, 31G, 35G, 5CG
Recovery CD English- WinXP PRO (UD)	32P6518	2656-E5G, EFG, D8G, ABG, AHG, AFG, BBG, D9G, ADG, AJG, D7G, J2G, 89G, 50G, HHG, MMG
Recovery CD English -WinXP PRO (US)	32P6517	2656-E6U, HFU, E5U, EFU, BFU, A5U, AFU, GGU, EHU, HGU, AKU, J2U, M4U, F5U, H8U, H4U, H9U, H6U, FGU, HHU, MMU
Recovery CD English -WinXP PRO (US)	32P6517	2656-E5H, EFH, EIH, D8H, J2H, 4PH, HHH, MMH
Recovery CD English -WinXP PRO (US)	32P6517	2656-E6M, GFM, E5M, EFM, AGM, ABM, D6M, ADM, J2M, 3PM, HHM, 5PM, MMM ; E6A, E5A, EFA, D6A, J2A, HHA, 5PA, MMA
Recovery CD Norway - WinXP PRO	32P6530	2656-E5G, EFG, D8G, ABG, AHG, AFG, BBG, D9G, ADG, AJG, D7G, J2G, 89G, 50G, HHG, MMG

Recovery CD Netherland-WinXP PRO	32P6529	2656-E5G, EFG, D8G, ABG, AHG, AFG, BBG, D9G, ADG, AJG, D7G, J2G, 89G, 50G, HHG, MMG
Recovery CD Finland-WinXP PRO	32P6528	2656-E5G, EFG, D8G, ABG, AHG, AFG, BBG, D9G, ADG, AJG, D7G, J2G, 89G, 50G, HHG, MMG
Recovery CD Italy-WinXP PRO	32P6527	2656-E5G, EFG, D8G, ABG, AHG, AFG, BBG, D9G, ADG, AJG, D7G, J2G, 89G, 50G, HHG, MMG
Recovery CD Spanish-WinXP PRO	32P6525	2656-E5G, EFG, D8G, ABG, AHG, AFG, BBG, D9G, ADG, AJG, D7G, J2G, 89G, 50G, HHG, MMG
Recovery CD LA Spanish-WinXP PRO	32P6520	2656-E6S, GFS, E5S, EFS, D5S, A5S, AFS, J2S, HHS, MMS
Recovery CD LA Spanish-WinXP PRO	32P6520	2656-E6X, GFX, E5X, EFX, D5X, A5X, AFX, J2X, HHX, MMX
Recovery CD Denmark-WinXP PRO	32P6522	2656-E5G, EFG, D8G, ABG, AHG, AFG, BBG, D9G, ADG, AJG, D7G, J2G, 89G, 50G, HHG, MMG
Recovery CD Sweden-WinXP PRO	32P6526	2656-E5G, EFG, D8G, ABG, AHG, AFG, BBG, D9G, ADG, AJG, D7G, J2G, 89G, 50G, HHG, MMG
Recovery CD French-WXP PRO	32P6523	2656-E5G, EFG, D8G, ABG, AHG, AFG, BBG, D9G, ADG, AJG, D7G, J2G, 89G, 50G, HHG, MMG
Recovery CD Canadian French-WinXP PRO	32P6519	2656-GGF, IFF, E5F, EFF, J2F, HHF, MMF
Recovery CD German-WinXP PRO	32P6524	2656-E5G, EFG, D8G, ABG, AHG, AFG, BBG, D9G, ADG, AJG, D7G, J2G, 89G, 50G, HHG, MMG
Recovery CD Portuguese-WinXP PRO	32P6521	2656-E6P, GFP, E5P, EFP, D5P, A5P, AFP, J2P, HHP, MMP
Recovery CD Japan-WinXP PRO	46P6943	2656-EGJ, E8J, C5J, E5J, EFJ, J2J, HHJ, K9J, MMJ

Recovery CD Japan-WinXP PRO RETAIL	46P6988	2656-75J/8FJ/47J
Recovery CD Traditional Chinese-WinXP PRO	62P8525	2656-E5T, EFT, E8T, EIT, D6T, ABT, J2T, MMT, HHT
Recovery CD Simplified Chinese-WinXP PRO	62P8528	2656-E5C, EFC, EIC, E6C, J2C, HHC, MMC
Recovery CD Hong Kong Traditional Chinese-XP PRO	62P8531	2656-D6B
Recovery CD Turkey-WinXP PRO	32P6535	2656-E5G, EFG, D8G, ABG, AHG, AFG, BBG, D9G, ADG, AJG, D7G, J2G, 89G, 50G, HHG, MMG
Recovery CD Greek-WXP PRO	32P6536	2656-E5G, EFG, D8G, ABG, AHG, AFG, BBG, D9G, ADG, AJG, D7G, J2G, 89G, 50G, HHG, MMG
Recovery CD Greek-WXP PRO	32P6536	2656-E5G, EFG, D8G, ABG, AHG, AFG, BBG, D9G, ADG, AJG, D7G, J2G, 89G, 50G, HHG, MMG
Recovery CD Russian-WinXP PRO	32P6538	2656-E5G, EFG, D8G, ABG, AHG, AFG, BBG, D9G, ADG, AJG, D7G, J2G, 89G, 50G, HHG, MMG
Recovery CD Polish-WinXP PRO	32P6534	2656-E5G, EFG, D8G, ABG, AHG, AFG, BBG, D9G, ADG, AJG, D7G, J2G, 89G, 50G, HHG, MMG
Recovery CD Hebrew-WinXP PRO	32P6533	2656-E5G ,EFG, D8G, ABG, AHG, AFG, BBG, D9G, ADG, AJG, D7G, J2G, 89G, 50G, HHG, MMG
Recovery CD CZ-WinXP PRO	32P6532	2656-E5G, EFG, D8G, ABG, AHG, AFG, BBG, D9G, ADG, AJG, D7G, J2G, 89G, 50G, HHG, MMG
Recovery CD Arabic Enabled-WinXP PRO	32P6531	2656-E5G, EFG, D8G, ABG, AHG, AFG, BBG, D9G, ADG, AJG, D7G, J2G, 89G, 50G, HHG, MMG
Recovery CD English- Win 2000 (UD)	32P6313	2656-E4G, EEG, EDG, AAG, A9G, AEG, DDG, B2G, ACG, ECG, BCG, J1G, FFG, 40G, LLG

Recovery CD English -Win 2000 (US)	32P6312	2656-E7U, HEU, E4U, J1U, EEU, BEU, A4U, AEU, FEU, F4U, L4U, H5U, FFU, LLU, H7U
Recovery CD English -Win 2000 (US)	32P6312	2656-E4H, J1H, EEH, FFH, LLH
Recovery CD English -Win 2000 (US)	32P6312	2656-E4M, J1M, EEM, BGM, AAM, BIM, E7M, FFM, LLM ; E4A, J1A, EEA, FFA, LLA
Recovery CD Norway - Win2000	32P6325	2656-E4G, EEG, EDG, AAG, A9G, AEG, DDG, B2G, ACG, ECG, BCG, J1G, FFG, 40G, LLG
Recovery CD Netherland- Win2000	32P6324	2656-E4G, EEG, EDG, AAG, A9G, AEG, DDG, B2G, ACG, ECG, BCG, J1G, FFG, 40G, LLG
Recovery CD Finland-Win2000	32P6323	2656-E4G, EEG, EDG, AAG, A9G, AEG, DDG, B2G, ACG, ECG, BCG, J1G, FFG, 40G, LLG
Recovery CD Italy-Win2000	32P6322	2656-E4G, EEG, EDG, AAG, A9G, AEG, DDG, B2G, ACG, ECG, BCG, J1G, FFG, 40G, LLG
Recovery CD Spanish-Win2000	32P6320	2656-E4G, EEG, EDG, AAG, A9G, AEG, DDG, B2G, ACG, ECG, BCG, J1G, FFG, 40G, LLG
Recovery CD LA Spanish-Win2000	32P6315	2656-E4S, J1S, EES, LLS, FFS
Recovery CD LA Spanish-Win2000	32P6315	2656-E4X, J1X, EEX, FFX, LLX
Recovery CD Denmark-Win2000	32P6317	2656-E4G, EEG, EDG, AAG, A9G, AEG, DDG, B2G, ACG, ECG, BCG, J1G, FFG, 40G, LLG
Recovery CD Sweden-Win2000	32P6321	2656-E4G, EEG, EDG, AAG, A9G, AEG, DDG, B2G, ACG, ECG, BCG, J1G, FFG, 40G, LLG
Recovery CD French-Win2000	32P6318	2656-E4G, EEG, EDG, AAG, A9G, AEG, DDG, B2G, ACG, ECG, BCG, J1G, FFG, 40G, LLG
Recovery CD Canadian French-Win2000	32P6314	2656-E4F, J1F, EEF, FFF, LLF
Recovery CD German-Win2000	32P6319	2656-E4G, EEG, EDG, AAG, A9G, AEG, DDG, B2G, ACG, ECG, BCG, J1G, FFG, 40G, LLG

Recovery CD Portuguese-Win2000	32P6316	2656-E4P, J1P, EEP, FFP, LLP
Recovery CD Japan-Win2000	46P6941	2656-6HJ, 67J, 48J, FFJ, EEJ, J1J, E4J, K8J, LLJ
Recovery CD Traditional Chinese-Win2000	62P8523	2656-E4T, J1T, EET, FFT, LLT
Recovery CD Simplified Chinese-Win2000	62P8526	2656-E4C, J1C, EEC, FFC, LLC
Recovery CD Turkey-Win2000	32P6330	2656-E4G, EEG, EDG, AAG, A9G, AEG, DDG, B2G, ACG, ECG, BCG, J1G, FFG, 40G, LLG
Recovery CD Greek-Win2000	32P6331	2656-E4G, EEG, EDG, AAG, A9G, AEG, DDG, B2G, ACG, ECG, BCG, J1G, FFG, 40G, LLG
Recovery CD Hungary-Win2000	32P6332	2656-E4G, EEG, EDG, AAG, A9G, AEG, DDG, B2G, ACG, ECG, BCG, J1G, FFG, 40G, LLG
Recovery CD Russian-Win2000	32P6333	2656-E4G, EEG, EDG, AAG, A9G, AEG, DDG, B2G, ACG, ECG, BCG, J1G, FFG, 40G, LLG
Recovery CD Polish-Win2000	32P6329	2656-E4G, EEG, EDG, AAG, A9G, AEG, DDG, B2G, ACG, ECG, BCG, J1G, FFG, 40G, LLG
Recovery CD Hebrew-Win2000	32P6328	2656-E4G, EEG, EDG, AAG, A9G, AEG, DDG, B2G, ACG, ECG, BCG, J1G, FFG, 40G, LLG
Recovery CD CZ-Win2000	32P6327	2656-E4G, EEG, EDG, AAG, A9G, AEG, DDG, B2G, ACG, ECG, BCG, J1G, FFG, 40G, LLG
Recovery CD Arabic Enabled-Win2000	32P6326	2656-E4G, EEG, EDG, AAG, A9G, AEG, DDG, B2G, ACG, ECG, BCG, J1G, FFG, 40G, LLG

## Option Parts List

### Battery charges:

Description	FRU No.
Charger Main Battery Li-Ion —W/W	02K6821
Charger Main Battery Li-Ion —Japan	02K6829



**Ultrabay devices:**

<b>Description</b>	<b>FRU No.</b>
CD—RW drive (SONY)	08K9617*
Diskette drive (TEAC)	08K9606*
Diskette drive (SONY)	08K9607*
SuperDisk drive (LS120 x 2)	05K9235*
SuperDisk drive (LS240)	08K9615*
ZIP—250 drive	00N8254*
2nd HDD adapter	08K6067*
Ultrabay Plus device carrier	26P9388*
Ultrabay Plus numeric keypad	19K2056*
Ultrabay Plus cradle for WorkPad c500 series	26P9389*

---

## ThinkPad R31 Part II

This section applies to the following models: 2656-2Gx, 2656-2Hx, 2656-2Jx, 2656-2Kx, 2656-2Lx, 2656-1Ax, 2656-2Vx, 2656-1Bx, 2656-2Px, 2656-2Mx, 2656-1Cx, 2656-2Cx, 2656-2Nx, 2656-2Ex, 2656-1Dx, 2656-2Gx, 2656-1Fx, 2656-1Gx, 2656-1Ix, 2656-1Jx, 2656-1Kx, 2656-Lx, 2656-Mx, 2656-1Ox, 2656-1Px, 2656-37x, 2656-3Cx, 2656-3Ax, 2656-38x, 2656-KCU, 2656-KDU, 2656-KEU, 2656-KFU, 2656-GAJ, 2657-GBJ, 2656-3CG, 2656-4CG, 2656-2HC, 2656-1EM, 2656-1EA, 2656-1EB, 2656-1EH, 2656-1HK, 2656-1HT, 2656-1SJ, 2656-1RJ, 2656-1BU.

## Product overview

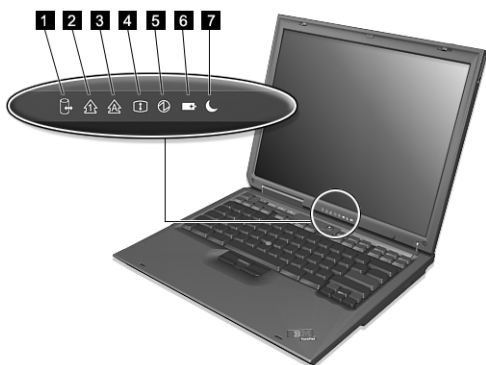
The following shows an overview of the system features.

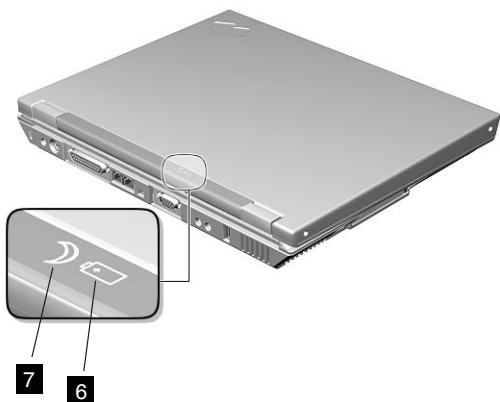
Feature	Description
Processor	Intel Pentium III processor 1.26GHz, Intel Celeron processor 1.13/1.20/1.33 GHz
Bus architecture	Host bus 64bits/133 MHz, PCI 32 bits/33 MHz, LPC 4bits/33MHz, PCMCIA 16 bits, Cardbus 32 bits/32 MHz
System memory	128 MB or 256 MB base main memory on system board PC 133  Two 144pins SODIMM slots supports 64 MB, 128MB, 256MB, and 512MB DIMM cards  Frequency: PC 133  Maximum size: 1024 MB
CMOS RAM	242 bytes + 4 Kbytes
Video	Intel 830 MG with 2D/3D Graphics accelerator.  Dynamically variable video memory size  13.3–inch, 24 bit true colors, 1024x768 pixel TFT XGA color LCD  14.1–inch, 24 bit true colors, 1024x768 pixel TFT XGA color LCD
Audio	AC97 audio Intel  16–bit audio  Internal stereo speakers
Diskette drive (optional)	External 1.44MB (3–mode), 3.5 inch floppy drive via USB interface (Bootable)
Hard disk drive	20GB, 30GB, or 40GB, 2.5–inch 9.5mm height, E-IDE interface
CD-ROM drive	CD-ROM: 5.25–inch, 24X speed, E-IDE interface  DVD— ROM : 8X speed  DVD/ CD— RW : 8X DVD/ CD-RW  CD-RW
Modem	Integrated CDC soft Modem 56 Kbps Data/Fax Modem
Ethernet (optional)	LAN on motherboard . It supports 10/100Mbps






Feature	Description
IEEE 1394 (optional)	Ti TSB43AB21 1394 controller on board  IEEE 1394.a 4-pin connector — no cable power  100Mbps, 200Mbps and 400Mbps
PC Card (PCMCIA)	One Type I/II or Type III
I/O ports	External monitor  Speaker-out  Microphone-in  DC-in  TV-out (S-Video out)  Parallel  Two USBs  IEEE 1394a (Selected models only)  Telephone (RJ11)  LAN (RJ45, Selected models only)
Power	72-Watt AC Adapter  6-cell Li-Ion & 8-cell NiMH Battery Packs (Dumb Battery)

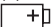

## Status indicators

The system-status indicators on the computer show the current status of your computer by their on or off states and colors (green and orange). Each indicator is identified with a symbol. The following shows the location and the meaning of each icon:





Symbol	Color	Meaning
(1) Drive in use 	Green	Data is being read from or written to the hard disk. Do not enter standby mode or power off the computer when this indicator is on.
(2) Numeric lock 	Green	The numeric keypad on the keyboard is enabled. You enable or disable the keypad by pressing and holding the <b>Shift</b> key, and pressing the <b>NumLk</b> key. For details, see the <i>User's Reference</i> .
(3) Caps lock 	Green	Caps Lock mode is enabled. All alphabetic characters (A-Z) are entered in capital letters without the <b>Shift</b> key being pressed. You enable or disable the Caps Lock mode by pressing the <b>Caps Lock</b> key.
(4) Scroll lock 	Green	Scroll Lock mode is enabled. The <b>Arrow</b> keys can be used as screen-scroll function keys. The cursor cannot be moved with the <b>Arrow</b> keys. <i>Not all application programs support this function.</i> You enable or disable Scroll Lock mode by pressing the <b>ScrLk</b> key.
(5) Power on 	Green	The computer is operational. This indicator is on when the computer is on.

Symbol	Color	Meaning
(6) Battery status 	Green	Enough battery power remains for operation.
	Blinking green	The battery power charges up to 80% full power
	Blinking orange	The battery pack needs to be charged
	Orange	The battery pack is being charged.
(7) Standby mode 	Green	The computer is in standby mode

## FRU tests

The following table shows the applicable test for each FRU using PC-Doctor.

FRU	Applicable test
System board	<ol style="list-style-type: none"> <li>1. CPU/Coprocessor (<b>Diagnostics</b>)</li> <li>2. System board (<b>Diagnostics</b>)</li> </ol>
Power	Battery ( <b>Diagnostics</b> )
LCD unit	<ol style="list-style-type: none"> <li>1. Video Adapter (<b>Diagnostics</b>)</li> <li>2. Video (<b>Interactive Tests</b>)</li> </ol>
Modem	<ol style="list-style-type: none"> <li>1. Make sure the modem set up correctly.</li> <li>2. Replacing the modem jack and modem card one at a time, run the modem tests in Other Devices (<b>Diagnostics</b>)</li> </ol>
Audio	Internal Speaker ( <b>Interactive Tests</b> )  Stereo Speaker ( <b>Interactive Tests</b> )
Speaker	System beeper: Internal Speaker ( <b>Interactive Tests</b> )
PC Card slots	System board ( <b>Diagnostics</b> )
Keyboard	<ol style="list-style-type: none"> <li>1. Keyboard (<b>Diagnostics</b>)</li> <li>2. Keyboard (<b>Interactive Tests</b>)</li> </ol>

FRU	Applicable test
TrackPoint or Pointing device	<p>If the TrackPoint does not work, see if an external PS/2 mouse is connected to the mouse/keyboard connector and remove it. The TrackPoint is automatically disabled if an external PS/2 mouse is attached. Check also if the TrackPoint driver is correctly installed by accessing Windows Device Manager via the System icon in the Control Panel.</p> <p>After you use the TrackPoint, the pointer drifts on the screen for a short time. This self-acting pointer movement can occur when a slight, steady pressure is applied to the TrackPoint pointer. This symptom is not a hardware problem. No service actions are necessary if the pointer movement stops in a short period of time.</p> <p>If this does not correct the TrackPoint problem, continue with the following: Mouse (<b>Interactive Tests</b>).</p>
Hard disk drive	Fixed Disks ( <b>Diagnostics</b> )
CD-ROM drive	CD-ROM, DVD, CD-RW, DVD/CD-RW ( <b>Interactive Tests</b> )
Memory	<ol style="list-style-type: none"> <li>1. If a DIMM is installed, remove it and run Memory Test-Quick (<b>Diagnostics</b>)</li> <li>2. If the problem does not recur, replace the DIMM and run the test again.</li> <li>3. If the test does not detect the error, run Memory Test-Full (<b>Diagnostics</b>)</li> </ol>
Fan	<ol style="list-style-type: none"> <li>1. Power on system and check the air turbulence at the louver at the rear of the computer.</li> <li>2. Run the fan test in Other Devices (<b>Diagnostics</b>).</li> </ol>

## FRU removals and replacements

This section contains information about removals and replacements.

- Do not damage any parts. Only certified and trained personnel should service the computer.
- The arrows in this section show the direction of movement to remove a FRU, or to turn a screw to release the FRU. The arrows are marked in numeric order, in square callout, to show the correct sequence of removal.
- Any FRUs that must be removed before removing the failing FRU are listed at the top of the page.
- To replace a FRU, reverse the removal procedure and follow any notes that pertain to replacement. See “Locations” on page 191 for internal cable connections and arrangement information.
- When replacing a FRU, use the correct screw size, as shown in the procedure.

### Safety Notice 1

Translations in “Safety Notices (Multi-lingual Translations)” section: Before the computer is powered-on after FRU replacement, make sure all screws, springs, or other small parts are in place and are not left loose inside the computer. Verify this by shaking the computer and listening for rattling sounds. Metallic parts or metal flakes can cause electrical shorts.

### Safety Notice 3

Translations in “Safety Notices (Multi-lingual Translations)” section: The battery pack contains small amounts of nickel. Do not disassemble it, throw it into fire or water, or short-circuit it. Dispose of the battery pack as required by local ordinances or regulations. Use only the battery in the appropriate parts listing when replacing the battery pack. Use of an incorrect battery can result in ignition or explosion of the battery.



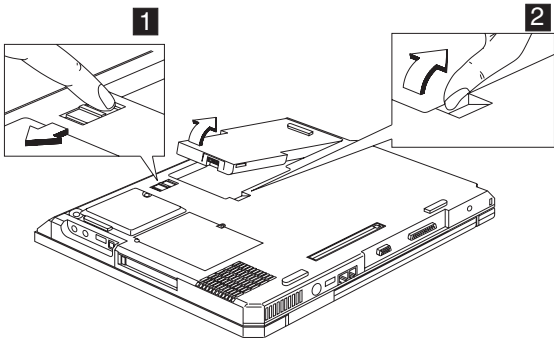
### Safety Notice 8

Translations in "Safety Notices (Multi-lingual Translations)" section: Before removing any FRU, power-off the computer, unplug all power cords from electrical outlets, remove the battery pack, then disconnect any interconnecting cables.

**Attention:** The system board is sensitive and can be damaged by electronic discharge. Establish personal grounding by touching a ground point with one hand before touching these units.

An electrostatic discharge (ESD) strap (P/N: 6405959) must be used to establish personal grounding.

## 1010 Battery assembly



### Warning

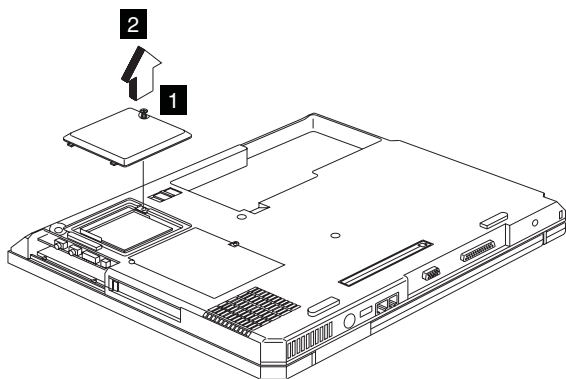
Battery packs are capable of delivering high currents for a significant amount of time. Do not short the battery terminals.

### CAUTION:

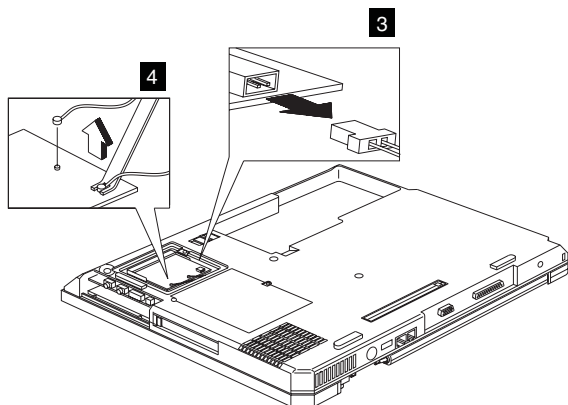
**Danger of explosion if battery is incorrectly replaced. Replace only with the same or equivalent type recommended by the manufacturer. Dispose of used batteries according to the manufacturer's instructions.**

## 1020 Mini-PCI cover and Mini-PCI card

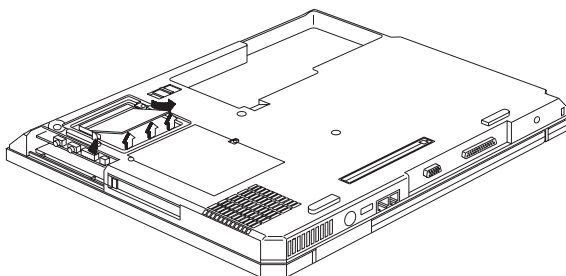
- "1010 Battery assembly"



**Note:** The screw does not separate from the PCI cover.



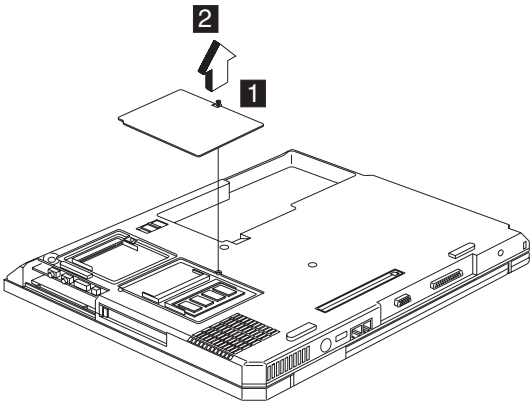
**Note:** There are 2 cables on step 4 : The gray cable is the main antenna and the black cable is the auxiliary antenna.



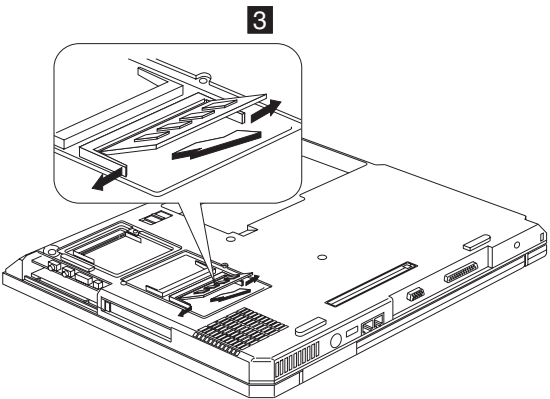
**Note:** When you install the PCI card, remember to press it down and ensure the connection is well.

## 1030 Memory cover and Memory card

- “1010 Battery assembly” on page 163



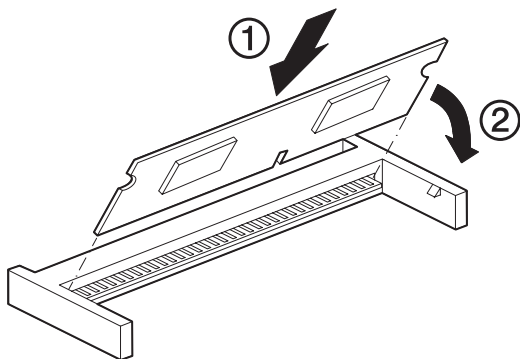
**Note:** The screw does not separate from the memory cover.



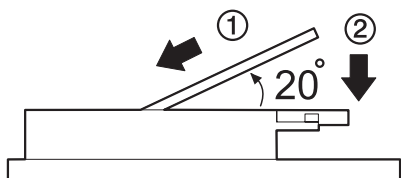
To install the memory card:

With the notched end of the memory card toward the right side of the socket, insert the memory card, at an angle of approximately 20°, into the socket; then press it firmly.

Pivot the memory card until it snaps into place.

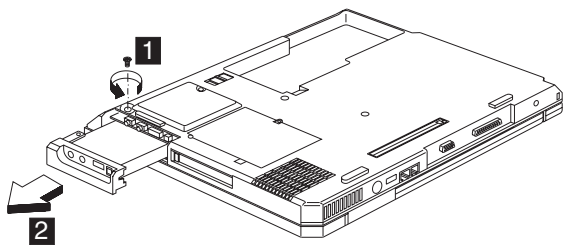


Side View



## 1040 Hard disk drive assembly

- “1010 Battery assembly” on page 163



Step	Size (Quantity)	Color	Torque
1	M3 x L4 (1)	Black	3.2 kgf-cm

### **Warning**

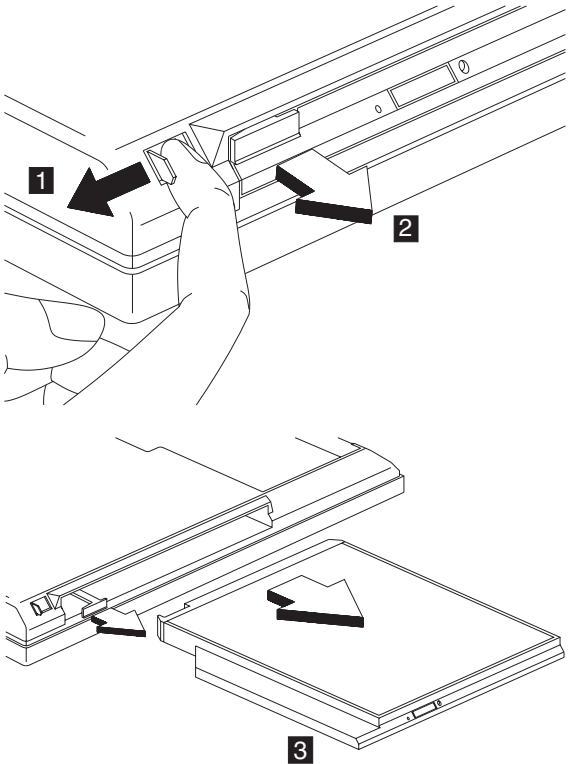
Do not drop or apply any shock to the hard disk drive. The hard disk drive is sensitive to physical shock. Incorrect handling can cause damage and permanent loss of data on the drive.

Before removing the drive, have the user make a backup copy of all the information on the drive if possible.

Never remove the drive while the system is operating or is in suspend mode.

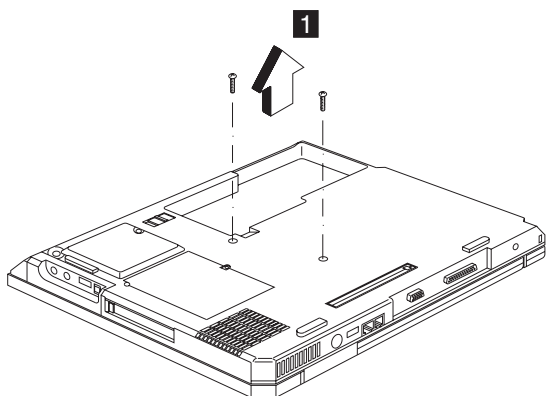
## **1050 CD-ROM assembly**

- “1010 Battery assembly” on page 163

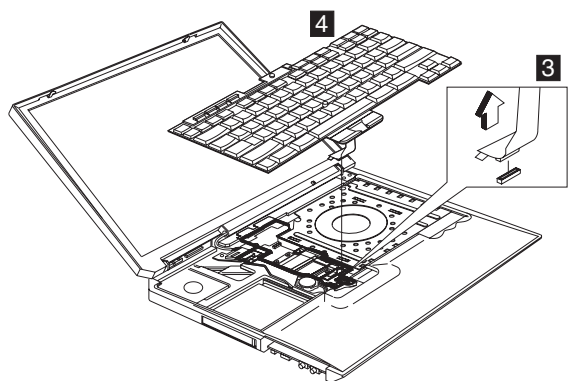
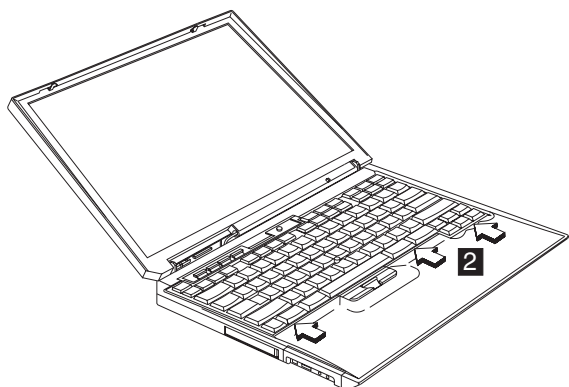


## **1060 Keyboard**

- “1010 Battery assembly” on page 163



Step	Size (Quantity)	Color	Torque
1	M2.5 x L10 (2)	Black	3.2 kgf-cm

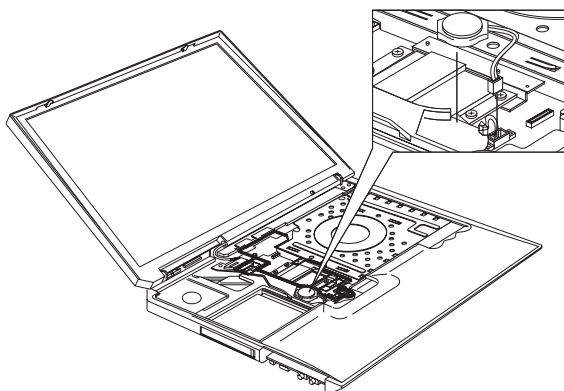


## Notes:

1. When replacing the keyboard, make sure that the cable is clean and insert it directly into the connector, making sure it makes contact with the bottom of the connector.
2. If the cable do not touch the bottom of the connector, the keyboard function will be rendered useless.
3. The cable of the keyboard are fragile and could be damaged. Be careful when pulling out the cable.

## 1070 Backup battery

- “1010 Battery assembly” on page 163
- “1060 Keyboard” on page 167



## CAUTION:

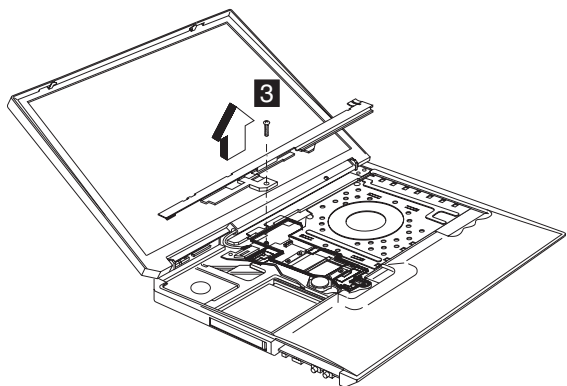
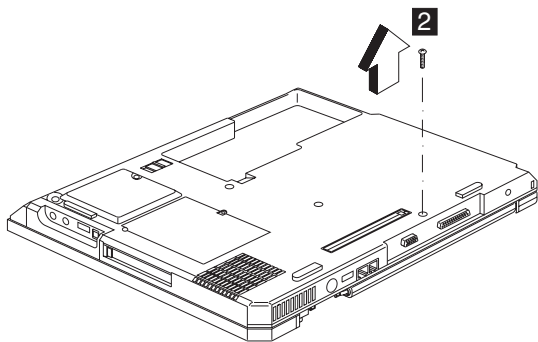
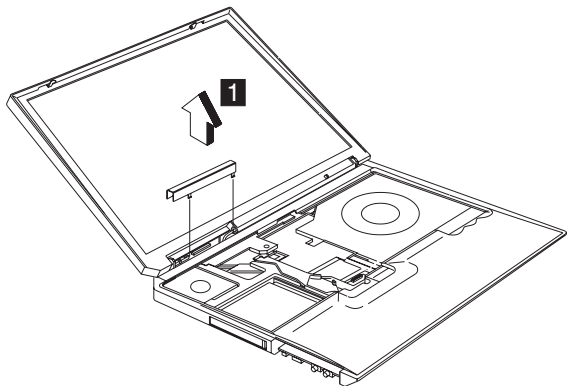
**Danger of explosion if battery is incorrectly replaced. Replace only with the same or equivalent type recommended by the manufacturer. Dispose of used batteries according to manufacturer's instruction.**

### Safety Notice 4

Translation in "Safety Notices: Multi-lingual Translations" section: The backup battery is a lithium battery and can cause a fire, an explosion, or severe burns. Do not recharge it, remove its polarized connector, disassemble it, heat it above 100°C (212°F), incinerate it, or expose its cell contents to water. Dispose of the battery as required by local ordinances or regulations. Use of an incorrect battery can result in ignition or explosion of the battery. Replacement batteries can be ordered from IBM or IBM Authorized Dealers.

## 1080 Middle cover

- “1010 Battery assembly” on page 163
- “1060 Keyboard” on page 167



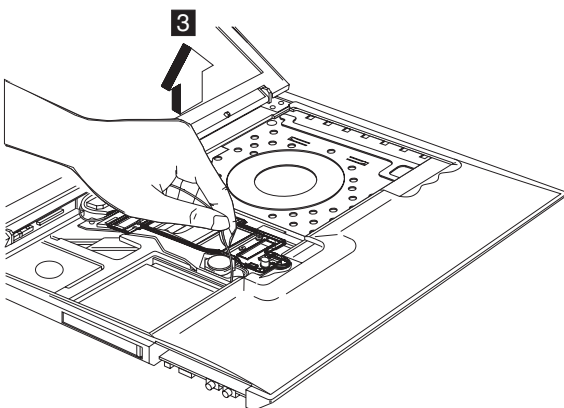
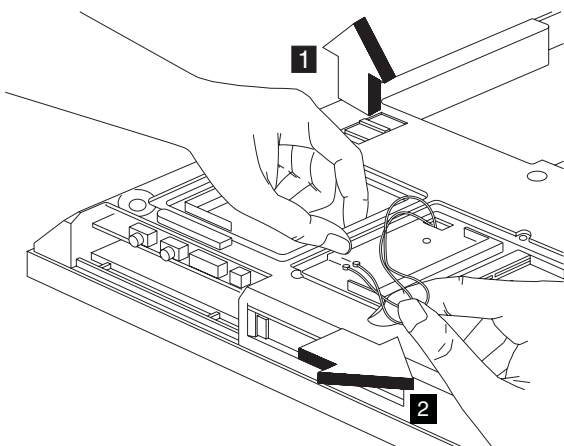
Step	Size (Quantity)	Color	Torque
2	M2.5 x L10 (1)	Black	3.2 kgf-cm



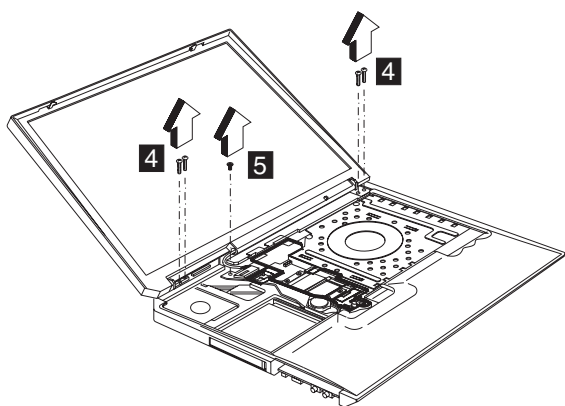
Step	Size (Quantity)	Color	Torque
3	M2.5 x L10 (1)	Black	2.5 kgf-cm

## 1090 LCD assembly

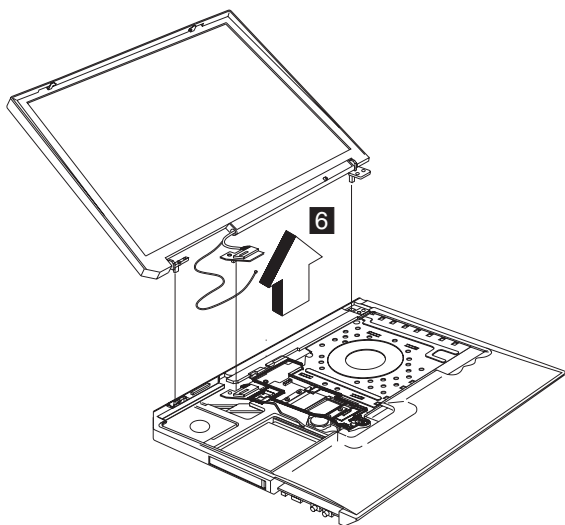
- “1010 Battery assembly” on page 163
- “1060 Keyboard” on page 167
- “1080 Middle cover” on page 170
- “1020 Mini-PCI cover and Mini-PCI card” on page 163
- “1030 Memory cover and Memory card” on page 165

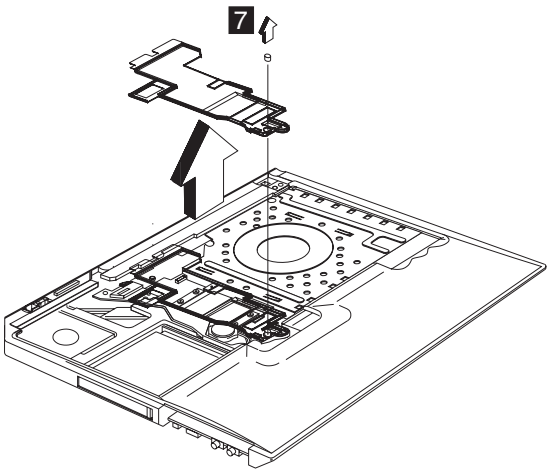


**Note:** Release the gray cable, which is the main antenna from the system.



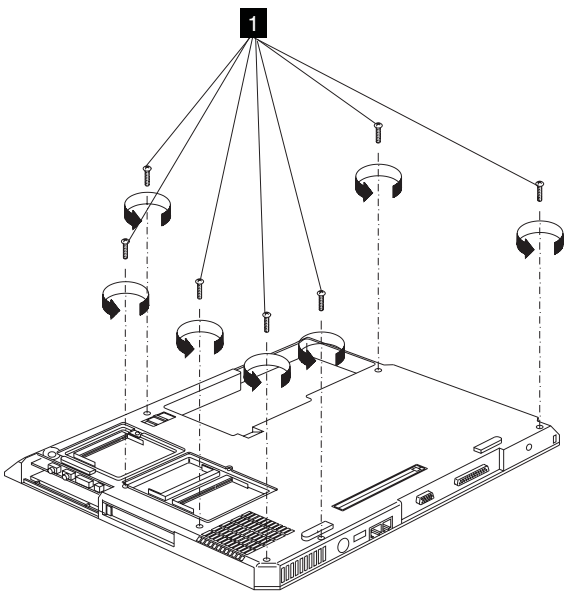
Step	Size (Quantity)	Color	Torque
4	M2.5 x L10 (4)	Black	3.6 kgf-cm
5	M2.5 x L5 (1)	Silver	2.5 kgf-cm



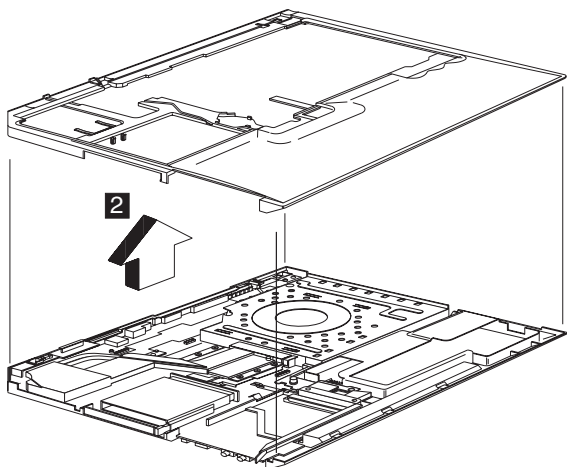


## 1100 Keyboard bezel

- “1010 Battery assembly” on page 163
- “1060 Keyboard” on page 167
- “1080 Middle cover” on page 170
- “1090 LCD assembly” on page 171
- “1070 Backup battery” on page 114



Step	Size (Quantity)	Color	Torque
1	M2.5 x L10 (7)	Black	3.2 kgf-cm

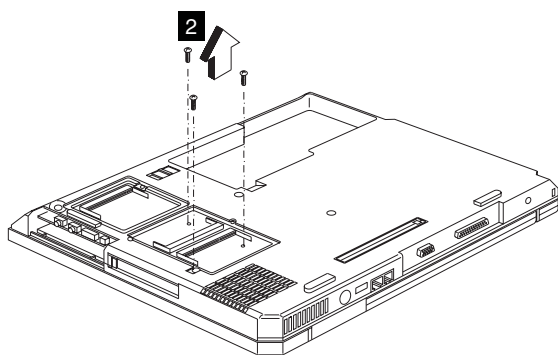
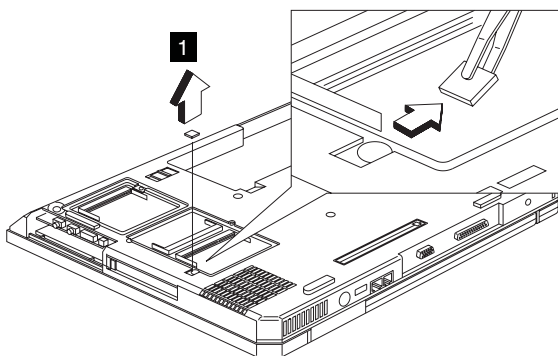


#### **CAUTION:**

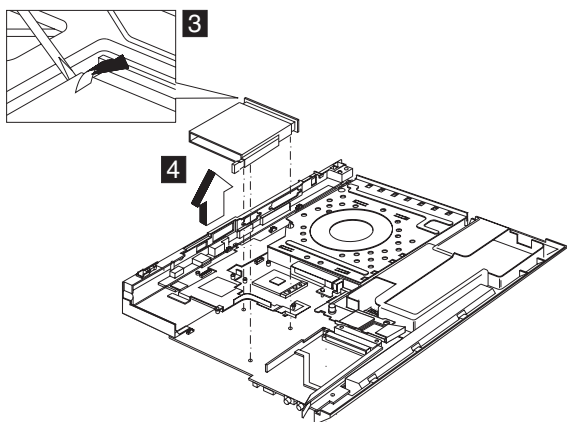
The keyboard bezel has several latches. When removing the keyboard bezel from the bottom cover, gently release these latches, then raise the side of the keyboard bezel facing the palm rest to remove it. Be careful not to break the latches.

#### **1110 PCMCIA holder**

- “1010 Battery assembly” on page 163
- “1020 Mini-PCI cover and Mini-PCI card” on page 163
- “1030 Memory cover and Memory card” on page 165
- “1060 Keyboard” on page 167
- “1080 Middle cover” on page 170
- “1090 LCD assembly” on page 171
- “1070 Backup battery” on page 114
- “1100 Keyboard bezel” on page 173



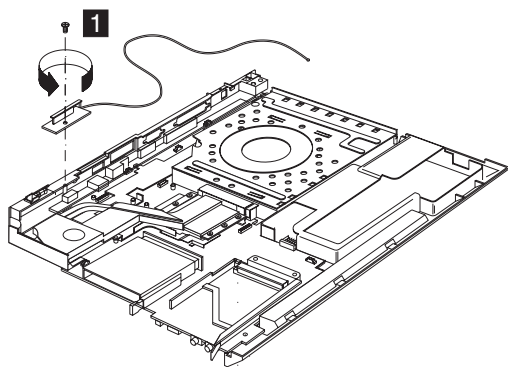
Step	Size (Quantity)	Color	Torque
2	M2 x L6 (3)	Silver	1.6 kgf-cm



**Note:** Before removing and replacing the PCMCIA holder, make sure that the PCMCIA cards are removed and the eject levers are sticking out.

## 1120 Auxiliary Antenna

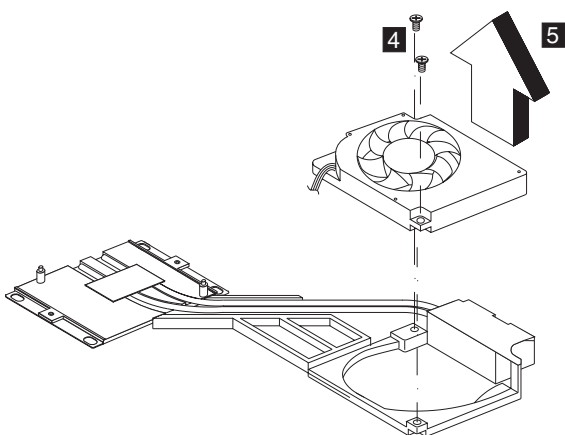
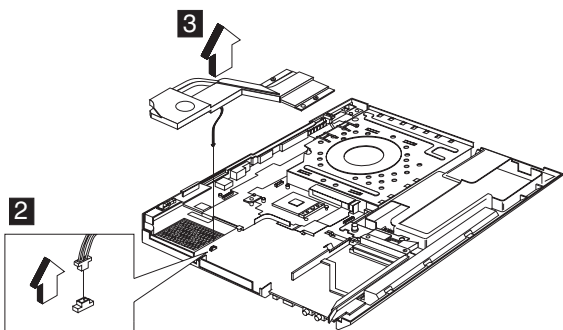
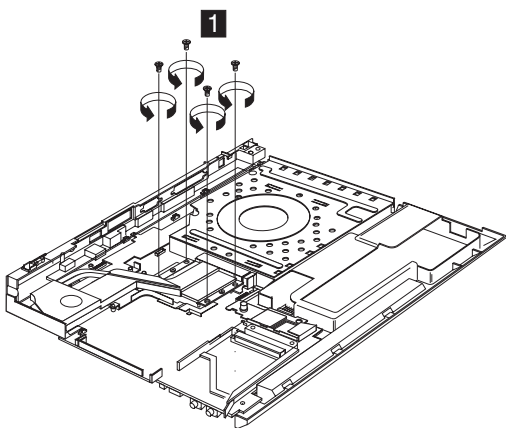
- “1010 Battery assembly” on page 163
- “1020 Mini-PCI cover and Mini-PCI card” on page 163
- “1030 Memory cover and Memory card” on page 165
- “1060 Keyboard” on page 167
- “1080 Middle cover” on page 170
- “1090 LCD assembly” on page 171
- “1070 Backup battery” on page 114
- “1100 Keyboard bezel” on page 173



Step	Size (Quantity)	Color	Torque
1	M2.5 x L5(1)	Silver	2.5 kgf-cm

## 1130 Fan assembly

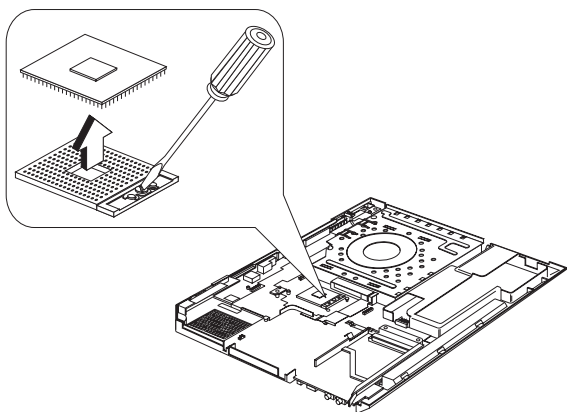
- “1010 Battery assembly” on page 163
- “1020 Mini-PCI cover and Mini-PCI card” on page 163
- “1030 Memory cover and Memory card” on page 165
- “1060 Keyboard” on page 167
- “1080 Middle cover” on page 170
- “1090 LCD assembly” on page 171
- “1070 Backup battery” on page 114
- “1100 Keyboard bezel” on page 173



Step	Size (Quantity)	Color	Torque
3	M2.5 x L5 (2)	Silver	3.2 kgf-cm

## 1140 CPU assembly

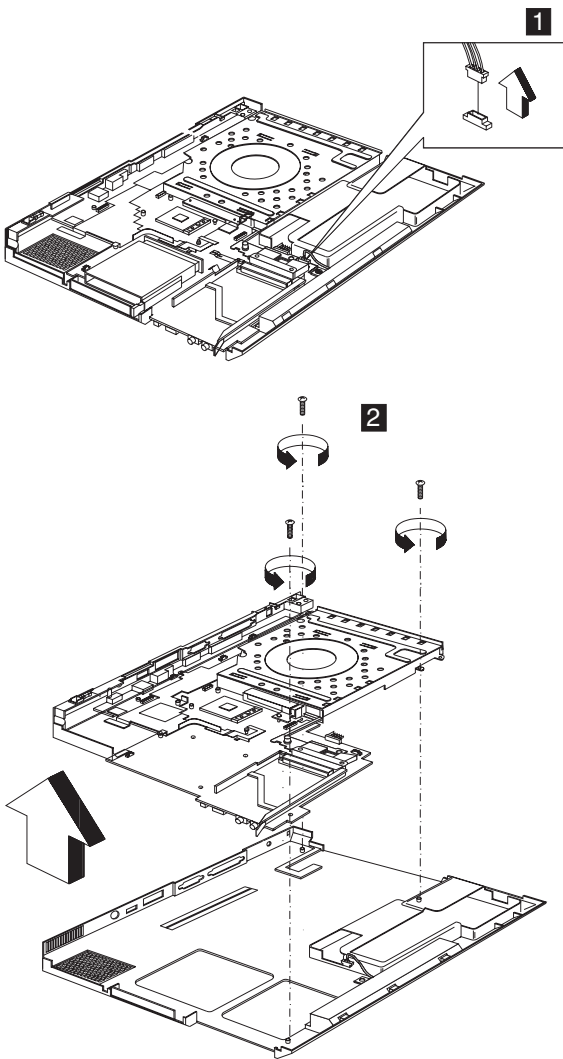
- “1010 Battery assembly” on page 163
- “1020 Mini-PCI cover and Mini-PCI card” on page 163
- “1030 Memory cover and Memory card” on page 165
- “1060 Keyboard” on page 167
- “1080 Middle cover” on page 170
- “1090 LCD assembly” on page 171
- “1070 Backup battery” on page 114
- “1100 Keyboard bezel” on page 173
- “1130 Fan assembly” on page 176



## 1150 System board

- “1010 Battery assembly” on page 163
- “1020 Mini-PCI cover and Mini-PCI card” on page 163
- “1030 Memory cover and Memory card” on page 165
- “1060 Keyboard” on page 167
- “1080 Middle cover” on page 170
- “1090 LCD assembly” on page 171
- “1070 Backup battery” on page 114
- “1100 Keyboard bezel” on page 173





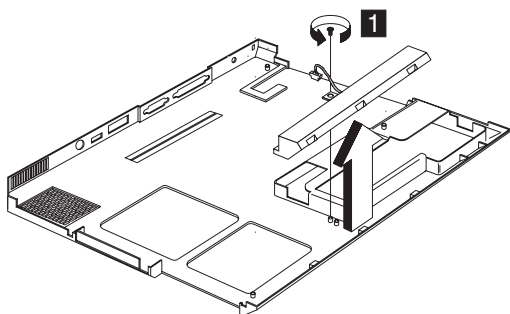
Step	Size (Quantity)	Color	Torque
2	M2.5 x L5(3)	Silver	2.5 kgf-cm

**Notes:**

1. When removing the system board from the bottom cover, gently raise the side of the system board facing the rear I/O ports; then pull out the system board.

## 1160 Speaker

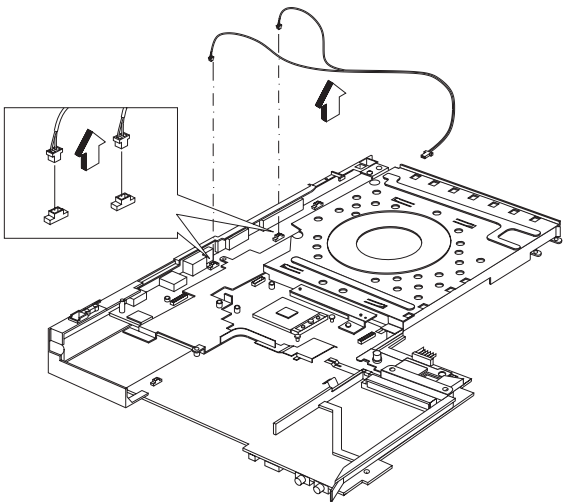
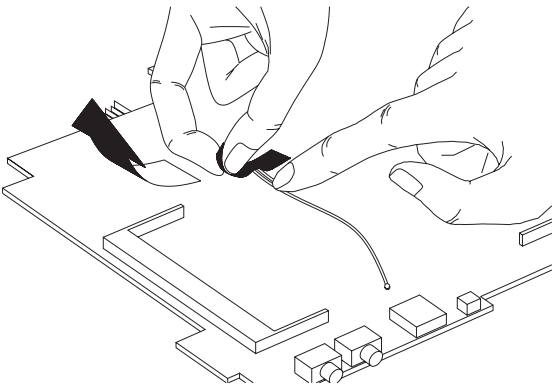
- “1010 Battery assembly” on page 163
- “1020 Mini-PCI cover and Mini-PCI card” on page 163
- “1030 Memory cover and Memory card” on page 165
- “1060 Keyboard” on page 167
- “1080 Middle cover” on page 170
- “1090 LCD assembly” on page 171
- “1070 Backup battery” on page 114
- “1100 Keyboard bezel” on page 173



Step	Size (Quantity)	Color	Torque
2	M2.5 x L4(1)	Black	2.5 kgf-cm

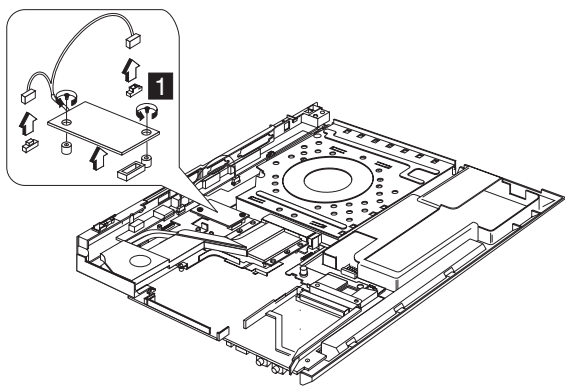
## 1170 Modem Cable (with Combo card)

- “1010 Battery assembly” on page 163
- “1020 Mini-PCI cover and Mini-PCI card” on page 163
- “1030 Memory cover and Memory card” on page 165
- “1060 Keyboard” on page 167
- “1080 Middle cover” on page 170
- “1090 LCD assembly” on page 171
- “1070 Backup battery” on page 114
- “1100 Keyboard bezel” on page 173
- “1150 System board” on page 178



### **1180 Modem Card (without Combo card)**

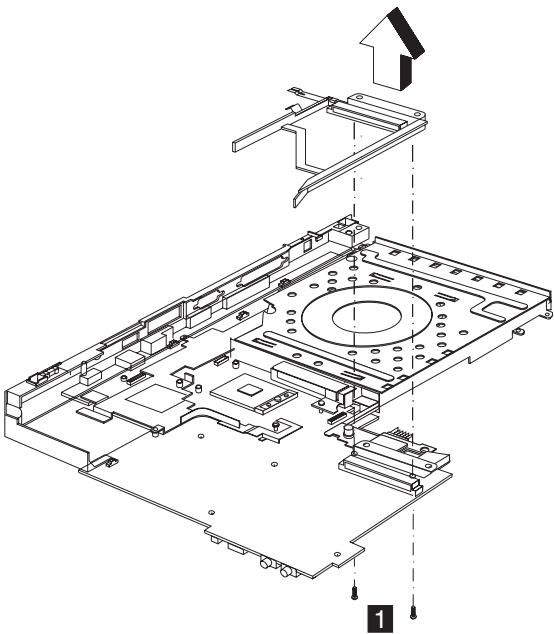
- “1010 Battery assembly” on page 163
- “1020 Mini-PCI cover and Mini-PCI card” on page 163
- “1030 Memory cover and Memory card” on page 165
- “1040 Hard disk drive assembly” on page 166
- “1050 CD-ROM assembly” on page 167
- “1060 Keyboard” on page 167
- “1080 Middle cover” on page 170
- “1090 LCD assembly” on page 171
- “1070 Backup battery” on page 114
- “1100 Keyboard bezel” on page 173
- “1150 System board” on page 178



Step	Size (Quantity)	Color	Torque
1	M2.5 x L5 (2)	Silver	3.2 kgf-cm

## 1190 Hard disk drive bezel

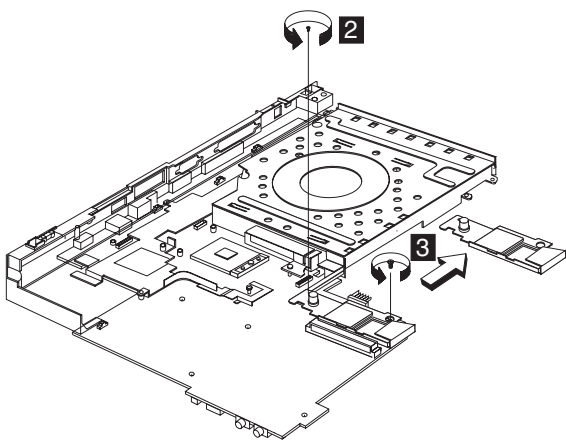
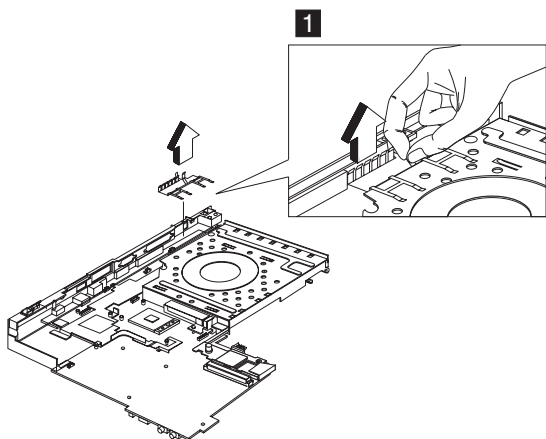
- “1010 Battery assembly” on page 163
- “1020 Mini-PCI cover and Mini-PCI card” on page 163
- “1030 Memory cover and Memory card” on page 165
- “1040 Hard disk drive assembly” on page 166
- “1050 CD-ROM assembly” on page 167
- “1060 Keyboard” on page 167
- “1080 Middle cover” on page 170
- “1090 LCD assembly” on page 171
- “1070 Backup battery” on page 114
- “1100 Keyboard bezel” on page 173
- “1150 System board” on page 178



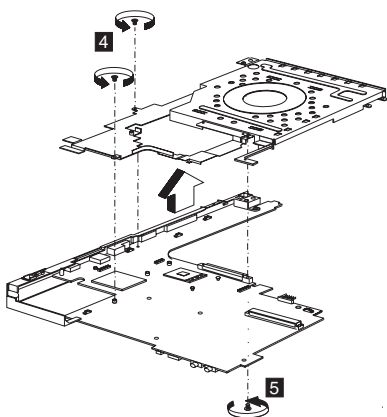
Step	Size (Quantity)	Color	Torque
1	M2 x L6 (2)	Silver	1.6 kgf-cm

## 1200 CD-ROM chassis

- “1010 Battery assembly” on page 163
- “1020 Mini-PCI cover and Mini-PCI card” on page 163
- “1030 Memory cover and Memory card” on page 165
- “1040 Hard disk drive assembly” on page 166
- “1050 CD-ROM assembly” on page 167
- “1060 Keyboard” on page 167
- “1080 Middle cover” on page 170
- “1090 LCD assembly” on page 171
- “1070 Backup battery” on page 114
- “1100 Keyboard bezel” on page 173
- “1150 System board” on page 178
- “1170 Modem Cable (with Combo card)” on page 180



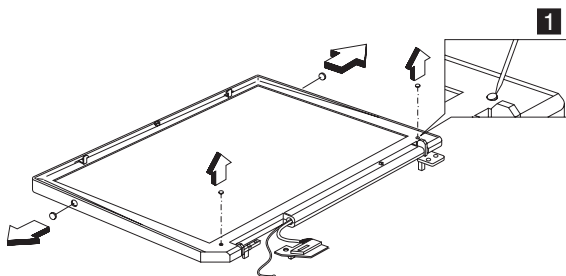
Step	Size (Quantity)	Color	Torque
2	M2 x L4 (1)	Silver	2.5 kgf-cm
3	M2.5 x L5 (1)	Silver	3.2 kgf-cm

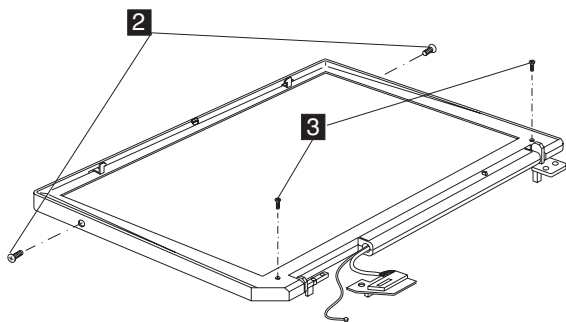


Step	Size (Quantity)	Color	Torque
4	M2.5 x L5 (2)	Silver	3.2 kgf-cm
5	M2 x L6 (1)	Silver	1.6 kgf-cm

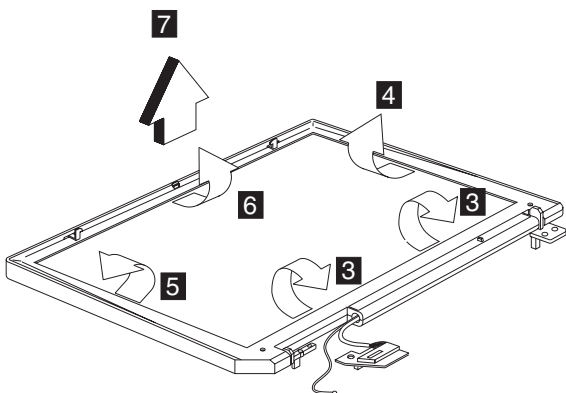
## 1210 LCD bezel assembly (13.3")

- “1010 Battery assembly” on page 163
- “1020 Mini-PCI cover and Mini-PCI card” on page 163
- “1030 Memory cover and Memory card” on page 165
- “1060 Keyboard” on page 167
- “1080 Middle cover” on page 170
- “1090 LCD assembly” on page 171





Step	Size (Quantity)	Color	Torque
2	M2 x L4(2)	Silver	2.5 kgf-cm
3	M2.5 x L6(2)	Black	2.5 kgf-cm



**Note:** When removing the LCD, take note of the following:

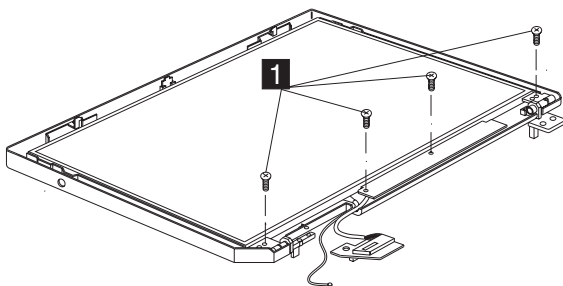
- Be careful not to scratch the LCD bezel when removing the screw mylars.
- The LCD bezel has several latches. Release these latches; then remove the LCD bezel. Be careful not to break these latches.
- Gently push the two LCD latches outward to remove the LCD bezel.

## 1220 LCD Inverter (13.3")

- "1010 Battery assembly" on page 163
- "1020 Mini-PCI cover and Mini-PCI card" on page 163
- "1030 Memory cover and Memory card" on page 165
- "1060 Keyboard" on page 167
- "1080 Middle cover" on page 170



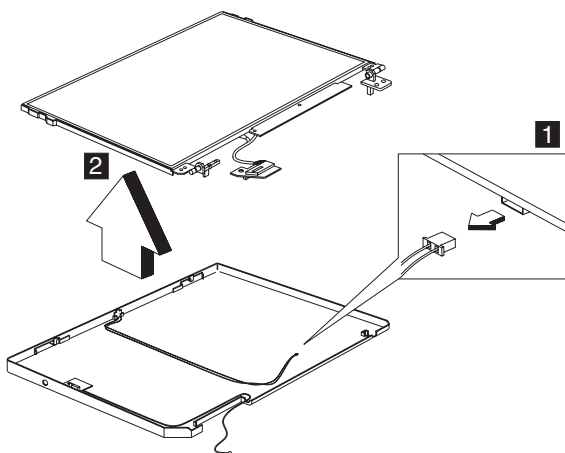
- “1090 LCD assembly” on page 171
- “1210 LCD bezel assembly (13.3”)” on page 185

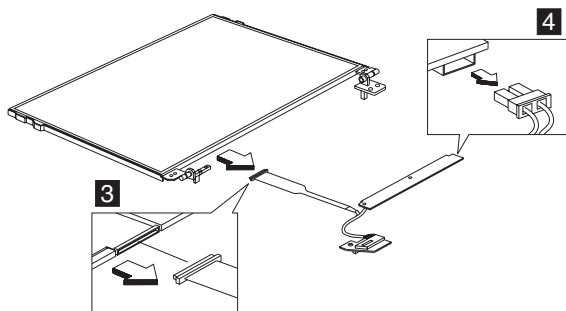


Step	Size (Quantity)	Color	Torque
1	M2 x L10(4)	Black	2.5 kgf-cm

### 1230 LED board (13.3")

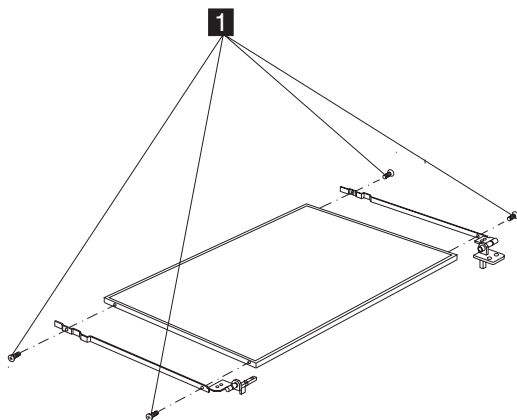
- “1010 Battery assembly” on page 163
- “1020 Mini-PCI cover and Mini-PCI card” on page 163
- “1030 Memory cover and Memory card” on page 165
- “1060 Keyboard” on page 167
- “1080 Middle cover” on page 170
- “1090 LCD assembly” on page 171
- “1210 LCD bezel assembly (13.3”)” on page 185





### 1240 LCD bracket hinge assembly (13.3")

- "1010 Battery assembly" on page 163
- "1020 Mini-PCI cover and Mini-PCI card" on page 163
- "1030 Memory cover and Memory card" on page 165
- "1060 Keyboard" on page 167
- "1080 Middle cover" on page 170
- "1090 LCD assembly" on page 171
- "1210 LCD bezel assembly (13.3")" on page 185
- "1220 LCD Inverter (13.3")" on page 186
- "1230 LED board (13.3")" on page 187

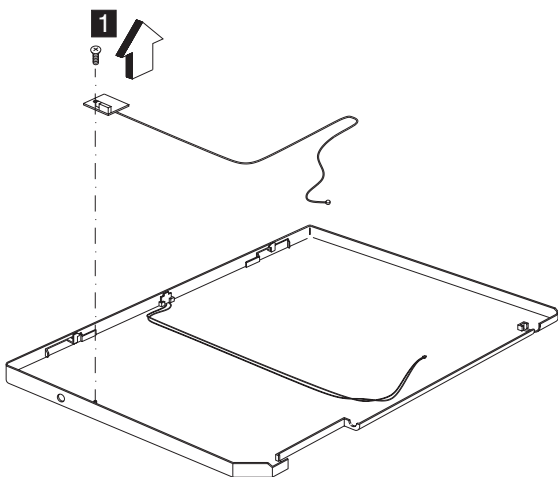


Step	Size (Quantity)	Color	Torque
1	M2 x L4 (4)	Silver	2.5 kgf-cm

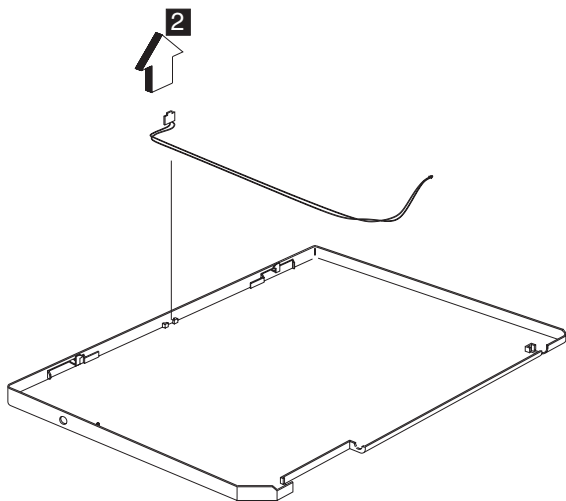
### 1250 LCD FPC assembly (13.3")

- "1010 Battery assembly" on page 163
- "1020 Mini-PCI cover and Mini-PCI card" on page 163

- “1030 Memory cover and Memory card” on page 165
- “1060 Keyboard” on page 167
- “1080 Middle cover” on page 170
- “1090 LCD assembly” on page 171
- “1210 LCD bezel assembly (13.3”)” on page 185
- “1220 LCD Inverter (13.3”)” on page 186
- “1230 LED board (13.3”)” on page 187
- “1240 LCD bracket hinge assembly (13.3”)” on page 188

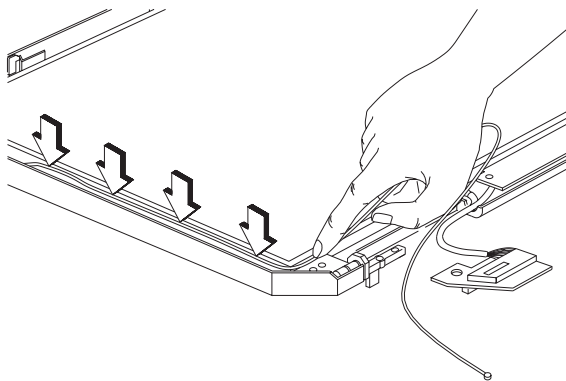


Step	Size (Quantity)	Color	Torque
1	M2 x L4(1)	Silver	2.5 kgf-cm



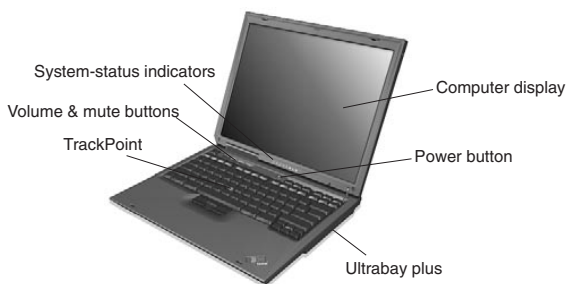
### 1260 Wireless reassembly

- “1240 LCD bracket hinge assembly (13.3”)” on page 188
- “1230 LED board (13.3”)” on page 187

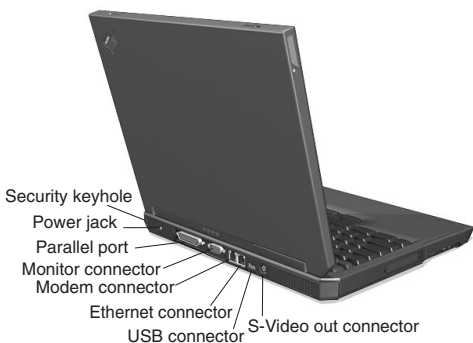


## Locations

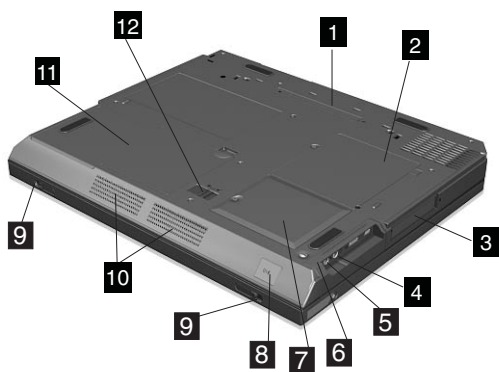
### Front View



### Rear View



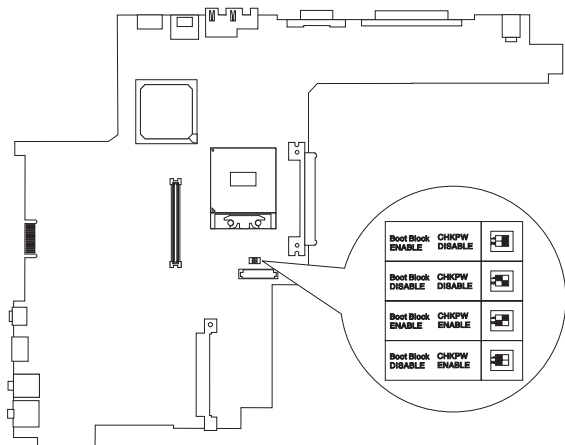
### Bottom View



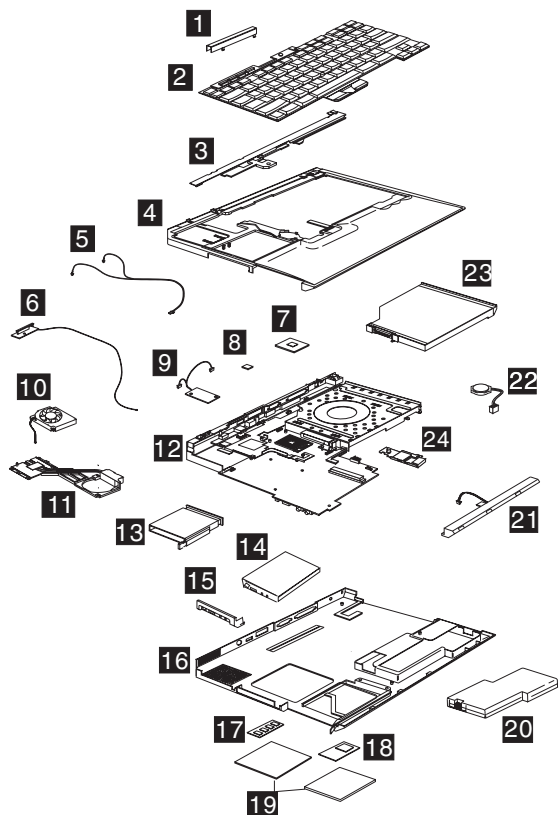
1. Battery pack
2. Mini-PCI Card slot door

3. Memory slot door
4. Docking connector

## Switch Locations



## Parts list



**Note:** The parts marked with asterisk are CRUs (customer replaceable units.)

No.	Description	FRU No.
1	Hinge Cap	26P9722
2	Keyboard unit ("Keyboard" on page 201)	
3	Middle Cover ASM WW	26P9727
4	KBD Bezel Asm. WW	46L6378
5	Cable Asm. kit , RJ11 and lid switch RJ-11 Cable for CDC board model RJ-11 Cable mini PCI combo board model Lid switch Cable	27L0689



No.	Description	FRU No.
6	Antenna Kit 13.3"	26P9712
	Antenna Kit 14.1"	26P9711
	Antenna Aux	
	Antenna LCD	
7	CPU Cel 1133 MHz	26P8156
	CPU Cel 1200 MHz	26P8157
	CPU Cel 1.33 GHz	26P8158
	CPU P-III 1.2 GHz	26P8285
	CPU P-III 1.266 GHz	26P8363
8	Crypto Card	26P8084
9	CDC Modem Card	26P8256
10	FAN Asm.	26P9723
11	Heatsink	46L6365
12	Planar w/o IEEE1394	26P8350
	Planar w/ IEEE1394	26P8352
13	PCMCIA Slot	26P9724
14	HDD w/tray & screws module IBM /10 GB	08K9796*
	HDD w/tray & screws module HITACHI /10 GB	08K9798*
	HDD w/tray & screws module IBM /20 GB	08K9729*
	HDD w/tray & screws module HITACHI /20 GB	08K9731*
	HDD w/tray & screws module IBM /20 GB	08K9761*
	HDD w/tray & screws module HITACHI /20 GB	08K9763*
	HDD w/tray & screws module IBM /30 GB	08K9665*
	HDD w/tray & screws module HITACHI /30 GB	08K9666*
	HDD w/tray & screws module IBM /30 GB	08K9733*
	HDD w/tray & screws module HITACHI /30 GB	08K9746*
	HDD w/tray & screws module IBM /40 GB	08K9742*
	HDD w/tray & screws module HITACHI /40 GB	08K9744*
15	HDD Cover WW	26P9737
16	Lower Case w/ label WW	12P4323
	Lower Case w/ label EMEA	12P4324
	Lower Case w/ label IIPC	12P4325

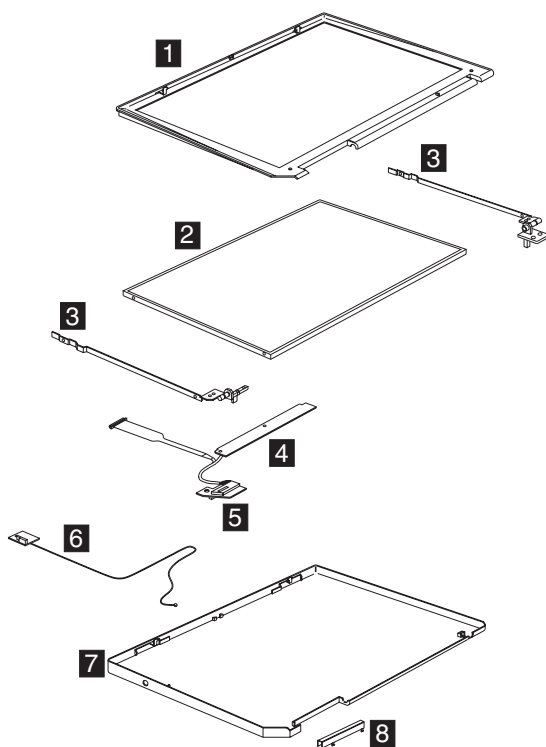
No.	Description	FRU No.
	Lower Case w/ label Korea	12P4326
	Lower Case w/ label Taiwan	12P4327
	Lower Case w/ label India	46L6371
	Lower Case w/ label India 2656	12P4333
	Lower Case w/ label W/W 2657	12P4334
	Lower Case w/ label EMEA 2657	12P4335
	Lower Case w/ label IIPC 2657	12P4336
	Lower Case w/ label Korea 2657	12P4337
	Lower Case w/ label Taiwan 2657	12P4338
	Lower Case w/ label India 2657	12P4339
	Lower Case w/ label W/W 2676	12P4340
	Lower Case w/ label EMEA 2676	12P4341
	Lower Case w/ label IIPC 2676	12P4342
	Lower Case w/ label Korea 2676	12P4343
	Lower Case w/ label Taiwan 2676	12P4344
	Lower Case w/ label India 2676	12P4345
	Lower Case w/ label WW-wireless	12P4328
	Lower Case w/ label EMEA-wireless	12P4329
	Lower Case w/ label IIPC-wireless	12P4330
	Lower Case w/ label Korea-wireless	12P4331
	Lower Case w/ label Taiwan-wireless	12P4332
17	SoDIMM Asm.—128MB	19K4653*
	SoDIMM Asm.—256MB	19K4655*
18	Combo 802.11b/Modem combo card	12P3637*
19	Mini-PCI / DIMM door kit	46L6335*
20	Battery Assy. (Ni-Mh)	
	Sanyo-W/W	02K6827*
	Sanyo-Japan	02K6835*
	Battery Assy. (Li-Ion)	
	Sanyo-W/W	02K6822*
	Sanyo-Japan	02K6830*
	Panasonic-W/W	02K6824*
	Panasonic-Japan	02K6832*
21	Speaker Kit	08K4618
22	RTC Battery	02K7062

No.	Description	FRU No.
23	CD-ROM Module TEAC HLDS(LG)	27L3436* 27L4301*
	DVD-ROM Module MKE HLDS(Hitachi)	27L4351* 27L4355*
	CD-RW Module SONY TEAC	27L4231* 27L4297*
	CD-RW/DVD-ROM combo Module KME	27L4359*
24	Heatsink DC-DC	46P2555
	Rubber Kit PCMCIA screw cap* 3 rubber foot * 3 LCD bezel screw cap (W/W) *4 IEEE-1394 dummy label IEEE-1394 icon label	26P9742
	Screw Kit HDD COIN SCREW M/B HEX SCREW SCREW DIMM COVER STEEL SCREW MACH PAN NYLOK M2.0*13 NI BH MSN+N SCREW M2.0*6 SCREW MACH FLAT M3*2.8 SCREW HDD M3*L4 WCH MSN+CZ SCREW M2.5*5 SCREW M2.5L10B 86.9A353100 SCREW M2.5*6 SCREW M2.4 WAFER NI	26P9741

No.	Description	FRU No.
	Misc common	26P9740
	Battery Knob	
	Battery Latch	
	Battery Spring	
	CD-ROM Pull bar	
	CD-ROM Latch	
	CD-ROM Spring for latch	
	CD-ROM Spring for CD-ROM pull bar	
	PCMCIA door	
	PCMCIA Spring	

## LCD FRU

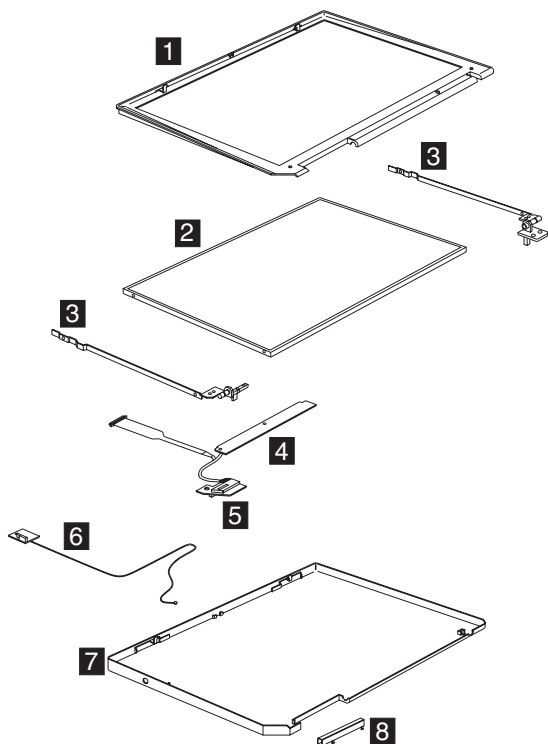
13.3-inch TFT:



No.	Description	FRU No.
1	13.3" LCD Bezel	46L6330

No.	Description	FRU No.
2	LCD Panel Asm (13.3" TFT)  Tori-Sanyo  LG	11P8212  11P8220
3	13.3" Hinge-Bracket Asm (R,L)	26P9720
4	LCD-Invertor / LED card (for 13.3" & 14.1" TFT)	26P8139
	LCD-Invertor / LED card —Sumida (for 13.3" & 14.1" TFT)	26P8153
5	LCD cable Asm.	27L0687
6	Antenna Kit 13.3" LCD Antenna w/ 13.3" LCD Antenna aux	26P9712
7	LCD Rear Cover Asm for 13.3"/14.1" (for Wireless model )  13.3"/14.1" LCD rear cover 13.3"/14.1" LCDPanel W/Wireless IBM Logo	26P9709
	LCD Rear Cover Asm for 13.3"/14.1" 13.3"/14.1" LCD rear cover 13.3"/14.1" LCDPanel W/O Wireless IBM Logo	26P9707
8	LCD Hinge Cap	26P9722
	LG/IBM Logo Kit for LCD Rear Cover for KBD Bezel	08K5860

## 14.1-inch TFT:



No.	Description	FRU No.
1	14.1" LCD Bezel (for W/W)	46L6329
2	LCDPanel Asm. (14.1" TFT)	11P8214
	Hyundai	46L2356
	Samsung	11P8210
	LG	
3	14.1" Hinge-Bracket Asm (R,L)	26P9719
4	LCD-Invertor / LED card (for 13.3" & 14.1" TFT)	26P8139
	LCD-Invertor / LED card —Sumida (for 13.3" & 14.1" TFT)	26P8153
5	LCD cable Asm.	27L0686
6	Antenna Kit 14.1" LCD Antenna w/ 14.1" LCD Antenna aux	26P9711

No.	Description	FRU No.
7	LCD Rear Cover Asm for 13.3"/14.1" (for W/W) 13.3"/14.1" LCD rear cover 13.3"/14.1" LCDPanel W/Wireless IBM Logo	26P9709
	LCD Rear Cover Asm for 13.3"/14.1" (for W/O W) 13.3"/14.1" LCD rear cover 13.3"/14.1" LCDPanel W/O Wireless IBM Logo	26P9707
8	LCD Hinge Cap Asm.	26P9722
	LG/IBM Logo Kit for LCD Rear Cover for KBD Bezel	08K5860

## Keyboard

Description	Vendor	FRU No.
KBD ASM US English	NMB	12P4260*
KBD ASM Canadian French	NMB	12P4262*
KBD ASM German	NMB	12P4264*
KBD ASM UK English	NMB	12P4266*
KBD ASM French	NMB	12P4268*
KBD ASM Dutch	NMB	12P4270*
KBD ASM Swedish/Finnish	NMB	12P4272*
KBD ASM Norwegian	NMB	12P4274*
KBD ASM Danish	NMB	12P4276*
KBD ASM Italian	NMB	12P4278*
KBD ASM European Spanish	NMB	12P4280*
KBD ASM Belgian	NMB	12P4282*
KBD ASM Switzerland	NMB	12P4284*
KBD ASM Portuguese	NMB	12P4286*
KBD ASM Russian	NMB	12P4290*
KBD ASM Slovakian	NMB	12P4306*
KBD ASM Slovenian	NMB	12P4304*
KBD ASM Traditional Chinese	NMB	12P4310*
KBD ASM Turkish	NMB	12P4296*
KBD ASM Arabic	NMB	12P4288*
KBD ASM Hebrew	NMB	12P4292*
KBD ASM Polish	NMB	12P4294*
KBD ASM Czech	NMB	12P4298*
KBD ASM Hungarian	NMB	12P4300*

<b>Description</b>	<b>Vendor</b>	<b>FRU No.</b>
KBD ASM Greek	NMB	12P4302*
KBD ASM Japan	NMB	12P4308*
KBD ASM Korea	NMB	12P4312*
KBD ASM La Spanish	NMB	12P4314*
KBD ASM US English	Chicony	02K6212*
KBD ASM Canadian French	Chicony	02K6214*
KBD ASM German	Chicony	02K6216*
KBD ASM UK English	Chicony	02K6218*
KBD ASM French	Chicony	02K6220*
KBD ASM Dutch	Chicony	02K6222*
KBD ASM Swedish/Finnish	Chicony	02K6224*
KBD ASM Norwegian	Chicony	02K6226*
KBD ASM Danish	Chicony	02K6228*
KBD ASM Italian	Chicony	02K6230*
KBD ASM European Spanish	Chicony	02K6232*
KBD ASM Belgian	Chicony	02K6234*
KBD ASM Switzerland	Chicony	02K6236*
KBD ASM Portuguese	Chicony	02K6238*
KBD ASM Arabic	Chicony	02K6240*
KBD ASM Russian	Chicony	02K6242*
KBD ASM Hebrew	Chicony	02K6244*
KBD ASM Polish	Chicony	02K6246*
KBD ASM Turkish	Chicony	02K6248*
KBD ASM Czech	Chicony	02K6250*
KBD ASM Hungarian	Chicony	02K6252*
KBD ASM Greek	Chicony	02K6254*
KBD ASM Slovenian	Chicony	02K6256*
KBD ASM Slovakian	Chicony	02K6258*
KBD ASM Japan	Chicony	02K6260*
KBD ASM Traditional Chinese	Chicony	08K4500*
KBD ASM Korea	Chicony	08K4502*
KBD ASM La Spanish	Chicony	08K4504*

## **Common parts list**

### **Tools:**

<b>Description</b>	<b>FRU No.</b>
Tri-Connector Wrap Plug	72X8546
PC Test Card	35G4703
Audio Wrap Cable	66G5180



Description	FRU No.
USB Parallel Test Cable	05K2580
Screwdriver Kit	95F3598
5mm Socket Wrench	05K4694
Screwdriver	27L8126
Wireless Antenna Connector Removal Tool	08K7159
ThinkPad hardware maintenance diskette version 1.10	

**Note:** The data may look the same with the sample hmm but the diskette version is different.

### Telephone cable:

Description	FRU No.
Telephone cable (US/C, TWN, APS, LA, BRZL)	27L0465
Telephone cable (UK, IR, NZ)	27L0442
Telephone cable (Germany)	27L0441
Telephone cable (Italy)	27L0448
Telephone cable (France)	27L0443
Telephone cable (DK, DE, PO)	27L0447
Telephone cable (SW, SU)	27L0445
Telephone cable (FI, NO, NS)	27L0446
Telephone cable (Australia)	27L0467
Telephone cable (ND, NU)	27L0444
Telephone cable (SF, SI, SG, SE)	27L0462
Telephone cable (BE, BK, BS, BD, BF)	27L0451
Telephone cable (Austria)	27L0449
Telephone cable (Spain)	27L0450

### AC adapter:

Description	FRU No.
AC Adapter, 72W 3-pin (Astec)	02K6751*
AC Adapter, 72W 3-pin (Delta)	02K6754*
AC Adapter, 72W 2-pin (Astec)	02K6753*
AC Adapter, 72W 2-pin (Delta)	02K6756*

**Power cords:** IBM power cords for a specific country are usually available only in that country.

**For 2-pin power cords:**

IBM power cord part number	Used in these countries or regions
13H5264*	Canada, U.S.A.
13H5273*	Japan
36L8870*	Argentina
49P2095*	Brazil

**For 3-pin power cords:**

**Note:** The grounded adapter is required for full MPRII compliance. If a 3-pin power cord came with your computer, see “Safety Information” on page 13.

IBM power cord part number	Used in these countries or regions
76H3514*	Australia, New Zealand
76H3516*	US, Canada
76H3530*	Italy
76H3520*	Denmark
76H3524*	UK, Hong Kong
76H3518*	European Countries
76H3522*	South Africa, India
76H3532*	Israel
76H3535*	Korea
02K0539*	China (P.R.C.)
76H3528*	Switzerland

**Recovery CD List:**

Description	FRU No.	Models
Recovery CD Eng-XP Home (UD)	01R5847	2656-MIG, MLG, T9G, 1DG, 2GG, 4CG
Recovery CD Eng-XP Home (US)	01R5348	2656-2HU, 1AU, 3CU, 1GU, 38U, 2HH, 2KH, 1EH, 1EA, 1EM, 1BM, 1DA, L1U, 1BU, NAU, M9U, K1H, L1H, L8H, KMH, KAA, M1A, KBA, KAM, MAM, MLM, KGM
Recovery CD Norway-XP Home	01R5857	2656-M1G, MLG, T9G, 1DG, 2GG, 4CG
Recovery CD Netherland-XP Home	01R5856	2656-M1G, MLG, T9G, 1DG, 2GG, 4CG

Recovery CD Finland-XP Home	01R5855	2656-M1G, MLG, T9G, 1DG, 2GG, 4CG
Recovery CD Italy-XP Home	01R5854	2656-M1G, MLG, T9G, 1DG, 2GG, 4CG
Recovery CD Spanish-XP Home	01R5852	2656-M1G, MLG, T9G, 1DG, 2GG, 4CG, 2HS, 1AS, 2HX, 1AX
Recovery CD Denmark-XP Home	01R5849	2656-M1G, MLG, T9G, 1DG, 2GG, 4CG
Recovery CD Sweden-XP Home	01R5853	2656-M1G, MLG, T9G, 1DG, 2GG, 4CG
Recovery CD French-XP Home	01R5850	2656-LAF, LBF, M9F, M1G, MLG, T9G, 1DG, 2GG, 4CG, LAF, LBF, M9F, 2HF, 1AF, 3CF, 1GF, 38F
Recovery CD German-XP Home	01R5851	2656-M1G, MLG, T9G, 1DG, 2GG, 4CG
Recovery CD Portuguese-XP Home	01R5848	2656-2PH, 1AP
Recovery CD Japan-XP Home	62P8849	2656-1JJ
Recovery CD Traditional Chinese-XP Home	67P5000	2656-L1T, KAT, KGT, 2HT, 1ET
Recovery CD Simplified Chinese-XP Home	67P5003	2656-K1C, KMC, 2HC
Recovery CD HongKong Traditional Chinese-XP Home	67P5006	2656-L7B, K1B, KMB, 2JB, 1EB
Recovery CD Turkey Enabled-XP Home	01R5861	2656-M1G, MLG, T9G, 1DG, 2GG, 4CG
Recovery CD Greek-XP Home	01R5863	2656-M1G, MLG, T9G, 1DG, 2GG, 4CG
Recovery CD Hungary-XP Home	01R5864	2656-M1G, MLG, T9G, 1DG, 2GG, 4CG
Recovery CD Russian-XP Home	01R5865	2656-M1G, MLG, T9G, 1DG, 2GG, 4CG
Recovery CD Polish-XP Home	01R5861	2656-M1G, MLG, T9G, 1DG, 2GG, 4CG
Recovery CD Hebrew Enabled-XP Home	01R5860	2656-M1G, MLG, T9G, 1DG, 2GG, 4CG
Recovery CD CZ-XP Home	01R5859	2656-M1G, MLG, T9G, 1DG, 2GG, 4CG
Recovery CD Arabic-XP Home	01R5858	2656-M1G, MLG, T9G, 1DG, 2GG, 4CG
Recovery CD Eng-XP Pro(UD)	01R5790	2656-M2G, M3G M7G, MEG, R9G, 1CG, 2CG, 2NG, 2EG, 3CG

Recovery CD Eng-XP Pro(US)	01R5347	2656-2GU, 2LU, 2VU, 37U, 1CU, 1FU, KCU, KDU, 39U, KEU, KFU, 1LM, 2MM, L2U, L6U, M2U, NYU, M2M, M5M, NHM, NEM
Recovery CD Norway-XP Pro	01R5800	2656-M2G, M3G, M7G, MEG, R9G, 1CG, 2CG, 2NG, 2EG, 3CG
Recovery CD Netherland-XP Pro	01R5799	2656-M2G, M3G, M7G, MEG, R9G, 1CG, 2CG, 2NG, 2EG, 3CG
Recovery CD Finland-XP Pro	01R5798	2656-M2G, M3G, M7G, MEG, R9G, 1CG, 2CG, 2NG, 2EG, 3CG
Recovery CD Italy-XP Pro	01R5797	2656-M2G, M3G, M7G, MEG, R9G, 1CG, 2CG, 2NG, 2EG, 3CG
Recovery CD Spanish-XP Pro	01R5795	2656-M2G, M3G, M7G, MEG, R5X, R7X, TAX, R5S, R7S, TAS, 2GS, 2LS, 2GX, 2LX R9G, 1CG, 2CG, 2NG, 2EG, 3CG
Recovery CD Denmark-XP Pro	01R5792	2656-M2G, M3G, M7G, MEG, R9G, 1CG, 2CG, 2NG, 2EG, 3CG
Recovery CD Sweden-XP Pro	01R5796	2656-M2G, M3G, M7G, MEG, R9G, 1CG, 2CG, 2NG, 2EG, 3CG
Recovery CD French-XP Pro	01R5793	2656-M2G, M3G, M7G, MEG, NXF, MFF, 37F, 39F, R9G, 1CG, 2CG, 2NG, 2EG, 3CG
Recovery CD German-XP Pro	01R5794	2656-M2G, M3G, M7G, MEG, R9G, 1CG, 2CG, 2NG, 2EG, 3CG
Recovery CD Portuguese-XP Pro	01R5791	2656-M2G, M3G, M7G, MEG, R5P, R7P, TAP, R9G, 1CG, 2CG, 2NG, 2EG, 3CG, 2GP, 2LP
Recovery CD Japan-XP Pro	67P4785	2656-2GP, 2LP, 1WJ, 1MJ, GAJ, 1PJ
Recovery CD Traditional Chinese-XP Pro	67P5001	2656-MBT, 1KT
Recovery CD Turkey Enabled-XP Pro	01R5805	2656-M2G, M3G, M7G, MEG, R9G, 1CG, 2CG, 2NG, 2EG, 3CG
Recovery CD Greek-XP Pro	01R5806	2656-M2G, M3G, M7G, MEG, R9G, 1CG, 2CG, 2NG, 2EG, 3CG
Recovery CD Hungary-XP Pro	01R5807	2656-M2G, M3G, M7G, MEG, R9G, 1CG, 2CG, 2NG, 2EG, 3CG

Recovery CD Russian-XP Pro	01R5808	2656–M2G, M3G, M7G, MEG, R9G, 1CG, 2CG, 2NG, 2EG, 3CG
Recovery CD Polish-XP Pro	01R5804	2656–M2G, M3G, M7G, MEG, R9G, 1CG, 2CG, 2NG, 2EG, 3CG
Recovery CD Hebrew Enabled-XP Pro	01R5803	2656–M2G, M3G, M7G, MEG, R9G, 1CG, 2CG, 2NG, 2EG, 3CG
Recovery CD CZ-XP Pro	01R5802	2656–M2G, M3G, M7G, MEG, R9G, 1CG, 2CG, 2NG, 2EG, 3CG
Recovery CD Arabic-XP Pro	01R5801	2656–M2G, M3G, M7G, MEG, R9G, 1CG, 2CG, 2NG, 2EG, 3CG
Recovery CD Eng-Win2000 (US)	01R6084	2656–R6U, R8U, TBU
Recovery CD Portugues-Win2000	01R6085	2656–R6P, R8P, TBP
Recovery CD Spanish-Win2000	01R6086	2656–R6S, R8S, TBS, R6X, R8X, TBX
Recovery CD Japan-Win2000	67P4782	2656–GBJ, 1HJ

## Option Parts List

### Battery charges:

Description	FRU No.
Charger Main Battery Li-Ion —W/W	02K6821
Charger Main Battery Li-Ion —Japan	02K6829

### Ultrabay devices:

Description	FRU No.
CD—RW drive (SONY)	08K9617*
Diskette drive (TEAC)	08K9606*
Diskette drive (SONY)	08K9607*
SuperDisk drive (LS120 x 2)	05K9235*
SuperDisk drive (LS240)	08K9615*
ZIP—250 drive	00N8254*
2nd HDD adapter	08K6067*
Ultrabay Plus device carrier	26P9388*
Ultrabay Plus numeric keypad	19K2056*
Ultrabay Plus cradle for WorkPad c500 series	26P9389*

---

## ThinkPad R31 Part III

This section applies to the following models: 2656-2Gx, 2656-2Hx, 2656-2Jx, 2656-2Kx, 2656-2Lx, 2656-1Ax, 2656-2Vx, 2656-1Bx, 2656-2Px, 2656-2Mx, 2656-1Cx, 2656-2Cx, 2656-2Nx, 2656-2Ex, 2656-1Dx, 2656-2Gx, 2656-1Fx, 2656-1Gx, 2656-1Ix, 2656-1Jx, 2656-1Kx, 2656-Lx, 2656-Mx, 2656-1Ox, 2656-1Px, 2656-37x, 2656-3Cx, 2656-3Ax, 2656-38x, 2656-KCU, 2656-KDU, 2656-KEU, 2656-KFU, 2656-GAJ, 2657-GBJ, 2656-3CG, 2656-4CG, 2656-2HC, 2656-1EM, 2656-1EA, 2656-1EB, 2656-1EH, 2656-1HK, 2656-1HT, 2656-L3x, 2656-L4x, 2656-L5x, 2656-L6x, 2656-M1x, 2656-M2x, 2656-M3x, 2656-M4x, 2656-M5x, 2656-M6x, 2656-PYx, 2656-NHx, 2656-NEx, 2656-N5x, 2656-N2x, 2656-NYx, 2656-NXx, 2656-R5x, 2656-R6x, 2656-R2x, 2656-R3x, 2656-T2J, 2656-T4J, 2656-TAP, 2656-TAS, 2656-TAX, 2656-TBP, 2656-TBS, 2656-TBX, 2656-M3G, 2656-MLG, 2656-K1B/K1H/K1C, 2656-MLM, 2656-KBA/KBK, 2656-KGM/KGK/KGT, 2656-KMB/KMH, 2656-KJJ, 2656-KMC, 2656-KAM/KAK/KAT, 2656-TAU, 2656-TBU, 2656-R9G, 2656-T9G.

## Product overview

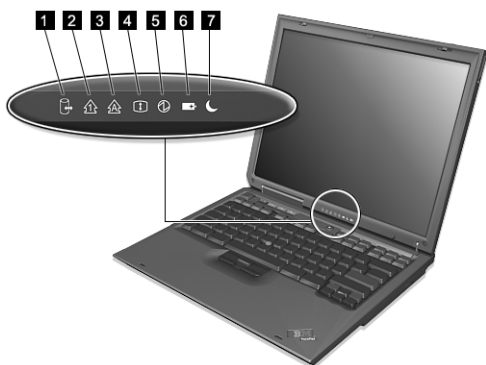
The following shows an overview of the system features.

Feature	Description
Processor	Intel Celeron processor 1.33/1.20 GHz
Bus architecture	Host bus 64bits/133 MHz, PCI 32 bits/33 MHz, LPC 4bits/33MHz, PCMCIA 16 bits, Cardbus 32 bits/32 MHz
System memory	128 MB or 256 MB base main memory on system board PC 133  Two 144pins SODIMM slots supports 64 MB, 128MB, 256MB, and 512MB DIMM cards  Frequency: PC 133  Maximum size: 1024 MB
CMOS RAM	242 bytes + 4 Kbytes
Video	Intel 830 MG with 2D/3D Graphics accelerator.  Dynamically variable video memory size  13.3–inch, 24 bit true colors, 1024x768 pixel TFT XGA color LCD  14.1–inch, 24 bit true colors, 1024x768 pixel TFT XGA color LCD
Audio	AC97 audio Intel  16–bit audio  Internal stereo speakers
Diskette drive (optional)	External 1.44MB (3–mode), 3.5 inch floppy drive via USB interface (Bootable)
Hard disk drive	20GB, 30GB, or 40GB, 2.5–inch 9.5mm height, E-IDE interface
CD-ROM drive	CD-ROM: 5.25–inch, 24X speed, E-IDE interface  DVD— ROM : 8X speed  DVD/ CD— RW : 16X DVD/ CD-RW  CD-RW
Modem	Integrated CDC soft Modem 56 Kbps Data/Fax Modem
Ethernet (optional)	LAN on motherboard . It supports 10/100Mbps

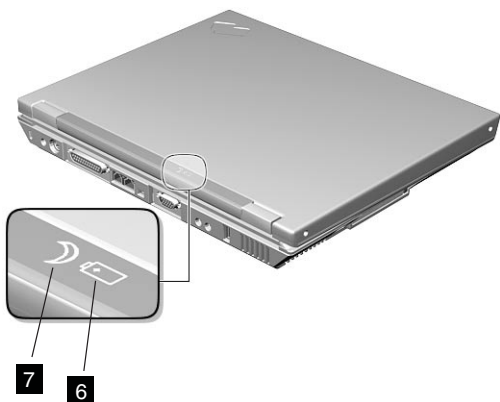
Feature	Description
IEEE 1394 (optional)	Ti TSB43AB21 1394 controller on board  IEEE 1394.a 4-pin connector — no cable power  100Mbps, 200Mbps and 400Mbps
PC Card (PCMCIA)	One Type I/II or Type III
I/O ports	External monitor  Speaker-out  Microphone-in  DC-in  TV-out (S-Video out)  Parallel  Two USBs  IEEE 1394a (Selected models only)  Telephone (RJ11)  LAN (RJ45, Selected models only)
Power	72-Watt AC Adapter  6-cell Li-Ion & 8-cell NiMH Battery Packs (Dumb Battery)






## Status indicators

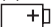

The system-status indicators on the computer show the current status of your computer by their on or off states and colors (green and orange). Each indicator is identified with a symbol. The following shows the location and the meaning of each icon:







Symbol	Color	Meaning
(1) Drive in use 	Green	Data is being read from or written to the hard disk. Do not enter standby mode or power off the computer when this indicator is on.
(2) Numeric lock 	Green	The numeric keypad on the keyboard is enabled. You enable or disable the keypad by pressing and holding the <b>Shift</b> key, and pressing the <b>NumLk</b> key. For details, see the <i>User's Reference</i> .
(3) Caps lock 	Green	Caps Lock mode is enabled. All alphabetic characters (A-Z) are entered in capital letters without the <b>Shift</b> key being pressed. You enable or disable the Caps Lock mode by pressing the <b>Caps Lock</b> key.
(4) Scroll lock 	Green	Scroll Lock mode is enabled. The <b>Arrow</b> keys can be used as screen-scroll function keys. The cursor cannot be moved with the <b>Arrow</b> keys. <i>Not all application programs support this function.</i> You enable or disable Scroll Lock mode by pressing the <b>ScrLk</b> key.
(5) Power on 	Green	The computer is operational. This indicator is on when the computer is on.

Symbol	Color	Meaning
(6) Battery status 	Green	Enough battery power remains for operation.
	Blinking green	The battery power charges up to 80% full power
	Blinking orange	The battery pack needs to be charged
	Orange	The battery pack is being charged.
(7) Standby mode 	Green	The computer is in standby mode

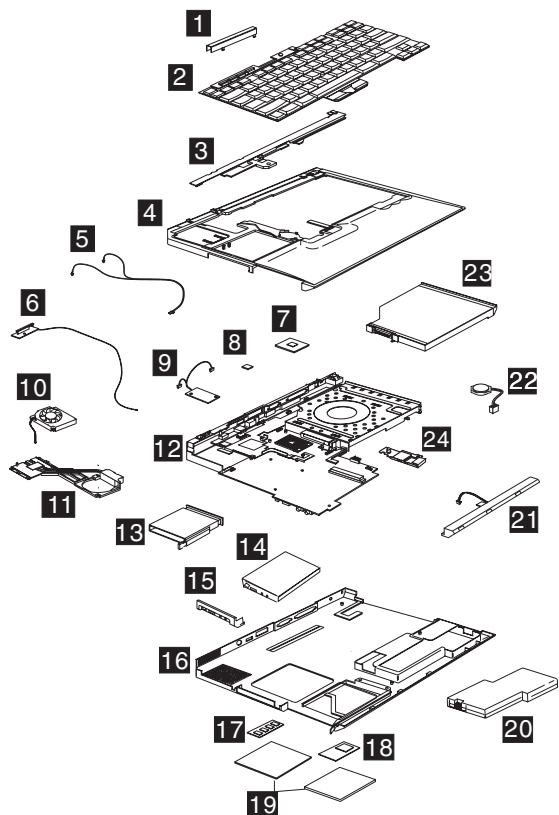
## FRU tests

The following table shows the applicable test for each FRU using PC-Doctor.

FRU	Applicable test
System board	<ol style="list-style-type: none"> <li>1. CPU/Coprocessor (<b>Diagnostics</b>)</li> <li>2. System board (<b>Diagnostics</b>)</li> </ol>
Power	Battery ( <b>Diagnostics</b> )
LCD unit	<ol style="list-style-type: none"> <li>1. Video Adapter (<b>Diagnostics</b>)</li> <li>2. Video (<b>Interactive Tests</b>)</li> </ol>
Modem	<ol style="list-style-type: none"> <li>1. Make sure the modem set up correctly.</li> <li>2. Replacing the modem jack and modem card one at a time, run the modem tests in Other Devices (<b>Diagnostics</b>)</li> </ol>
Audio	Internal Speaker ( <b>Interactive Tests</b> )  Stereo Speaker ( <b>Interactive Tests</b> )
Speaker	System beeper: Internal Speaker ( <b>Interactive Tests</b> )
PC Card slots	System board ( <b>Diagnostics</b> )
Keyboard	<ol style="list-style-type: none"> <li>1. Keyboard (<b>Diagnostics</b>)</li> <li>2. Keyboard (<b>Interactive Tests</b>)</li> </ol>

FRU	Applicable test
TrackPoint or Pointing device	<p>If the TrackPoint does not work, see if an external PS/2 mouse is connected to the mouse/keyboard connector and remove it. The TrackPoint is automatically disabled if an external PS/2 mouse is attached. Check also if the TrackPoint driver is correctly installed by accessing Windows Device Manager via the System icon in the Control Panel.</p> <p>After you use the TrackPoint, the pointer drifts on the screen for a short time. This self-acting pointer movement can occur when a slight, steady pressure is applied to the TrackPoint pointer. This symptom is not a hardware problem. No service actions are necessary if the pointer movement stops in a short period of time.</p> <p>If this does not correct the TrackPoint problem, continue with the following: Mouse (<b>Interactive Tests</b>).</p>
Hard disk drive	Fixed Disks ( <b>Diagnostics</b> )
CD-ROM drive	CD-ROM, DVD, CD-RW, DVD/CD-RW ( <b>Interactive Tests</b> )
Memory	<ol style="list-style-type: none"> <li>1. If a DIMM is installed, remove it and run Memory Test-Quick (<b>Diagnostics</b>)</li> <li>2. If the problem does not recur, replace the DIMM and run the test again.</li> <li>3. If the test does not detect the error, run Memory Test-Full (<b>Diagnostics</b>)</li> </ol>
Fan	<ol style="list-style-type: none"> <li>1. Power on system and check the air turbulence at the louver at the rear of the computer.</li> <li>2. Run the fan test in Other Devices (<b>Diagnostics</b>).</li> </ol>

## Parts list



**Note:** The parts marked with asterisk are CRUs (customer replaceable units.)

No.	Description	FRU No.
1	Hinge Cap	26P9722
2	Keyboard unit ("Keyboard" on page 220)	
3	Middle Cover ASM WW	26P9727
4	KBD Bezel Asm. WW	46L6378
5	Cable Asm. kit , RJ11 and lid switch RJ-11 Cable for CDC board model RJ-11 Cable mini PCI combo board model Lid switch Cable	27L0689

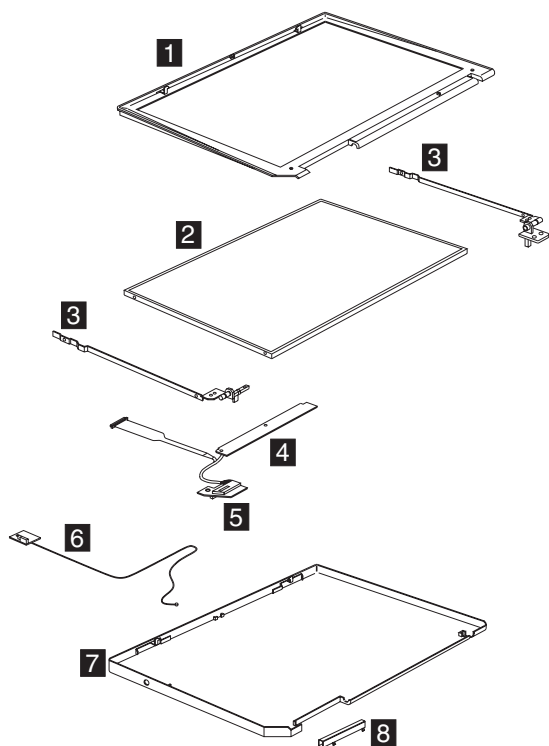
No.	Description	FRU No.
6	Antenna Kit 13.3"	26P9712
	Antenna Kit 14.1"	26P9711
	Antenna Aux	
	Antenna LCD	
7	CPU Cel 1200 MHz	26P8157
	CPU Cel 1.13 GHz	26P8284
	CPU Cel 1.33 GHz	26P8158
8	Crypto Card	26P8084
9	CDC Modem Card	26P8256
10	FAN Asm.	26P9723
11	Heatsink	46L6365
12	Planar w/o IEEE1394	26P8350
	Planar w/ IEEE1394	26P8352
13	PCMCIA Slot	26P9724
14	HDD w/tray & screws module IBM /20 GB	08K9729*
	HDD w/tray & screws module HITACHI /20 GB	08K9731*
	HDD w/tray & screws module IBM /20 GB	08K9761*
	HDD w/tray & screws module HITACHI /20 GB	08K9763*
	HDD w/tray & screws module IBM /30 GB	08K9665*
	HDD w/tray & screws module HITACHI /30 GB	08K9666*
	HDD w/tray & screws module IBM /30 GB	08K9733*
	HDD w/tray & screws module HITACHI /30 GB	08K9746*
	HDD w/tray & screws module IBM /40 GB	08K9742*
	HDD w/tray & screws module HITACHI /40 GB	08K9744*
15	HDD Cover WW	26P9737
16	Lower Case w/ label WW	12P4323
	Lower Case w/ label EMEA	12P4324
	Lower Case w/ label IIPC	12P4325
	Lower Case w/ label Korea	12P4326
	Lower Case w/ label Taiwan	12P4327
	Lower Case w/ label India	46L6371
	Lower Case w/ label India 2656	12P4333
	Lower Case w/ label W/W 2657	12P4334

No.	Description	FRU No.
	Lower Case w/ label EMEA 2657	12P4335
	Lower Case w/ label IIPC 2657	12P4336
	Lower Case w/ label Korea 2657	12P4337
	Lower Case w/ label Taiwan 2657	12P4338
	Lower Case w/ label India 2657	12P4339
	Lower Case w/ label W/W 2676	12P4340
	Lower Case w/ label EMEA 2676	12P4341
	Lower Case w/ label IIPC 2676	12P4342
	Lower Case w/ label Korea 2676	12P4343
	Lower Case w/ label Taiwan 2676	12P4344
	Lower Case w/ label India 2676	12P4345
	Lower Case w/ label WW-wireless	12P4328
	Lower Case w/ label EMEA-wireless	12P4329
	Lower Case w/ label IIPC-wireless	12P4330
	Lower Case w/ label Korea-wireless	12P4331
	Lower Case w/ label Taiwan-wireless	12P4332
	Lower Case w/ label WW 2657 –wireless	62P4342
17	SoDIMM Asm.—128MB	19K4653*
	SoDIMM Asm.—256MB	19K4655*
18	Combo 802.11b/Modem combo card	12P3637*
19	Mini-PCI / DIMM door kit	46L6335*
20	Battery Assy. (Ni-Mh)	
	Sanyo-W/W	02K6827*
	Sanyo-Japan	02K6835*
	Battery Assy. (Li-Ion)	
	Sanyo-W/W	02K6822*
	Sanyo-Japan	02K6830*
	Panasonic-W/W	02K6824*
	Panasonic-Japan	02K6832*
21	Speaker Kit	08K4618
22	RTC Battery	02K7062
23	CD-ROM Module	
	TEAC	27L3436*
	HLDS(LG)	27L4301*
	DVD-ROM Module	
	MKE	27L4351*
	HLDS(Hitachi)	27L4355*

No.	Description	FRU No.
	CD-RW Module TEAC	27L4297*
	CD-RW/DVD-ROM combo Module KME HLDS	08K9818* 08K9820
24	Heatsink DC-DC	46P2555
	Rubber Kit PCMCIA screw cap* 3 rubber foot * 3 LCD bezel screw cap (W/W) *4 IEEE-1394 dummy label IEEE-1394 icon label	26P9742
	Screw Kit HDD COIN SCREW M/B HEX SCREW SCREW DIMM COVER STEEL SCREW MACH PAN NYLOK M2.0*13 NI BH MSN+N SCREW M2.0*6 SCREW MACH FLAT M3*2.8 SCREW HDD M3*L4 WCH MSN+CZ SCREW M2.5*5 SCREW M2.5L10B 86.9A353100 SCREW M2.5*6 SCREW M2.4 WAFER NI	26P9741
	Misc common Battery Knob Battery Latch Battery Spring CD-ROM Pull bar CD-ROM Latch CD-ROM Spring for latch CD-ROM Spring for CD-ROM pull bar PCMCIA door PCMCIA Spring	26P9740

## LCD FRU

### 13.3-inch TFT:

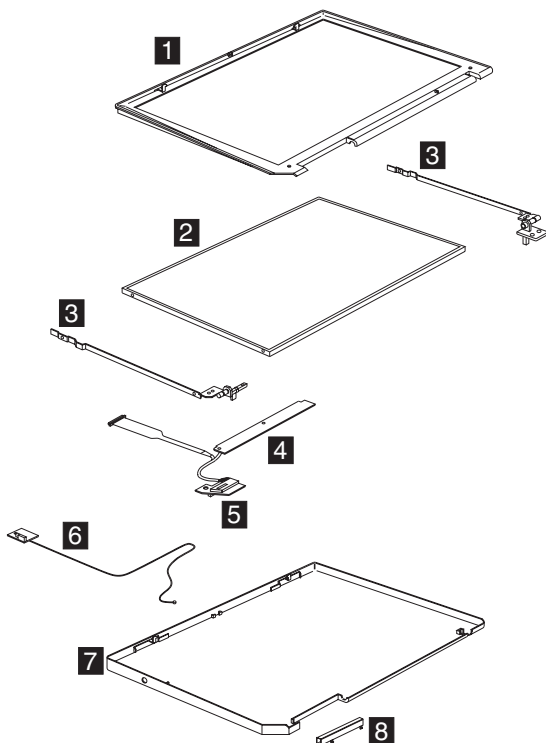


No.	Description	FRU No.
1	13.3" LCD Bezel	46L6330
2	LCD Panel Asm (13.3" TFT) Tori-Sanyo LG	11P8212 11P8220
3	13.3" Hinge-Bracket Asm (R,L)	26P9720
4	LCD-Inverter / LED card (for 13.3" & 14.1" TFT)	26P8139
	LCD-Inverter / LED card —Sumida (for 13.3" & 14.1" TFT)	26P8153
5	LCD cable Asm.	27L0687
6	Antenna Kit 13.3" LCD Antenna w/ 13.3" LCD Antenna aux	26P9712



No.	Description	FRU No.
7	LCD Rear Cover Asm for 13.3"/14.1" ( for Wireless model ) 13.3"/14.1" LCD rear cover 13.3"/14.1" LCDPanel W/Wireless IBM Logo	26P9709
	LCD Rear Cover Asm for 13.3"/14.1" 13.3"/14.1" LCD rear cover 13.3"/14.1" LCDPanel W/O Wireless IBM Logo	26P9707
8	LCD Hinge Cap	26P9722
	LG/IBM Logo Kit for LCD Rear Cover for KBD Bezel	08K5860

### 14.1-inch TFT:



No.	Description	FRU No.
1	14.1" LCD Bezel (for W/W)	46L6329

No.	Description	FRU No.
2	LCD Panel Asm. (14.1" TFT) Hyundai Samsung LG	11P8214 46L2356 11P8210
3	14.1" Hinge-Bracket Asm (R,L)	26P9719
4	LCD-Invertor / LED card (for 13.3" & 14.1" TFT)	26P8139
	LCD-Invertor / LED card —Sumida (for 13.3" & 14.1" TFT)	26P8153
5	LCD cable Asm.	27L0686
6	Antenna Kit 14.1" LCD Antenna w/ 14.1" LCD Antenna aux	26P9711
7	LCD Rear Cover Asm for 13.3"/14.1" (for W/W) 13.3"/14.1" LCD rear cover 13.3"/14.1" LCDPanel W/Wireless IBM Logo	26P9709
	LCD Rear Cover Asm for 13.3"/14.1" (for W/O W) 13.3"/14.1" LCD rear cover 13.3"/14.1" LCDPanel W/O Wireless IBM Logo	26P9707
8	LCD Hinge Cap Asm.	26P9722
	LG/IBM Logo Kit for LCD Rear Cover for KBD Bezel	08K5860

## Keyboard

Description	Vendor	FRU No.
KBD ASM US English	NMB	12P4260*
KBD ASM Canadian French	NMB	12P4262*
KBD ASM German	NMB	12P4264*
KBD ASM UK English	NMB	12P4266*
KBD ASM French	NMB	12P4268*
KBD ASM Dutch	NMB	12P4270*
KBD ASM Swedish/Finnish	NMB	12P4272*
KBD ASM Norwegian	NMB	12P4274*
KBD ASM Danish	NMB	12P4276*
KBD ASM Italian	NMB	12P4278*
KBD ASM European Spanish	NMB	12P4280*

<b>Description</b>	<b>Vendor</b>	<b>FRU No.</b>
KBD ASM Belgian	NMB	12P4282*
KBD ASM Swiss	NMB	12P4284*
KBD ASM Portuguese	NMB	12P4286*
KBD ASM Russian	NMB	12P4290*
KBD ASM Slovakian	NMB	12P4306*
KBD ASM Slovenian	NMB	12P4304*
KBD ASM Traditional Chinese	NMB	12P4310*
KBD ASM Turkish	NMB	12P4296*
KBD ASM Arabic	NMB	12P4288*
KBD ASM Hebrew	NMB	12P4292*
KBD ASM Polish	NMB	12P4294*
KBD ASM Czech	NMB	12P4298*
KBD ASM Hungarian	NMB	12P4300*
KBD ASM Greek	NMB	12P4302*
KBD ASM Japan	NMB	12P4308*
KBD ASM Korea	NMB	12P4312*
KBD ASM La Spanish	NMB	12P4314*
KBD ASM US English	Chicony	02K6212*
KBD ASM Canadian French	Chicony	02K6214*
KBD ASM German	Chicony	02K6216*
KBD ASM UK English	Chicony	02K6218*
KBD ASM French	Chicony	02K6220*
KBD ASM Dutch	Chicony	02K6222*
KBD ASM Swedish/Finnish	Chicony	02K6224*
KBD ASM Norwegian	Chicony	02K6226*
KBD ASM Danish	Chicony	02K6228*
KBD ASM Italian	Chicony	02K6230*
KBD ASM European Spanish	Chicony	02K6232*
KBD ASM Belgian	Chicony	02K6234*
KBD ASM Switzerland	Chicony	02K6236*
KBD ASM Portuguese	Chicony	02K6238*
KBD ASM Arabic	Chicony	02K6240*
KBD ASM Russian	Chicony	02K6242*
KBD ASM Hebrew	Chicony	02K6244*
KBD ASM Polish	Chicony	02K6246*
KBD ASM Turkish	Chicony	02K6248*
KBD ASM Czech	Chicony	02K6250*
KBD ASM Hungarian	Chicony	02K6252*
KBD ASM Greek	Chicony	02K6254*
KBD ASM Slovenian	Chicony	02K6256*

Description	Vendor	FRU No.
KBD ASM Slovakian	Chicony	02K6258*
KBD ASM Japan	Chicony	02K6260*
KBD ASM Traditional Chinese	Chicony	08K4500*
KBD ASM Korea	Chicony	08K4502*
KBD ASM La Spanish	Chicony	08K4504*

## Common parts list

### Tools:

Description	FRU No.
Tri-Connector Wrap Plug	72X8546
PC Test Card	35G4703
Audio Wrap Cable	66G5180
USB Parallel Test Cable	05K2580
Screwdriver Kit	95F3598
5mm Socket Wrench	05K4694
Screwdriver	27L8126
Wireless Antenna Connector Removal Tool	08K7159
ThinkPad hardware maintenance diskette version 1.10	

**Note:** The data may look the same with the sample hmm but the diskette version is different.

### Telephone cable:

Description	FRU No.
Telephone cable (US/C, TWN, APS, LA, BRZL)	27L0465
Telephone cable (UK, IR, NZ)	27L0442
Telephone cable (Germany)	27L0441
Telephone cable (Italy)	27L0448
Telephone cable (France)	27L0443
Telephone cable (DK, DE, PO)	27L0447
Telephone cable (SW, SU)	27L0445
Telephone cable (FI, NO, NS)	27L0446
Telephone cable (Australia)	27L0467
Telephone cable (ND, NU)	27L0444
Telephone cable (SF, SI, SG, SE)	27L0462
Telephone cable (BE, BK, BS, BD, BF)	27L0451
Telephone cable (Austria)	27L0449

Description	FRU No.
Telephone cable (Spain)	27L0450

**AC adapter:**

Description	FRU No.
AC Adapter, 72W 3-pin (Astec)	02K6751*
AC Adapter, 72W 3-pin (Delta)	02K6754*
AC Adapter, 72W 2-pin (Astec)	02K6753*
AC Adapter, 72W 2-pin (Delta)	02K6756*

**Power cords:** IBM power cords for a specific country are usually available only in that country.

**For 2-pin power cords:**

IBM power cord part number	Used in these countries or regions
13H5264*	Canada, U.S.A.
13H5273*	Japan
36L8870*	Argentina
49P2095*	Brazil

For 3-pin power cords:

**Note:** The grounded adapter is required for full MPRII compliance. If a 3-pin power cord came with your computer, see "Safety Information" on page 13.

IBM power cord part number	Used in these countries or regions
76H3514*	Australia, New Zealand
76H3516*	US, Canada
76H3530*	Italy
76H3520*	Denmark
76H3524*	UK, Hong Kong
76H3518*	European Countries
76H3522*	South Africa, India
76H3532*	Israel
76H3535*	Korea
02K0539*	China (P.R.C.)
76H3528*	Switzerland

**Recovery CD List:**

Description	FRU No.	Models
Recovery CD Eng-XP Home (UD)	01R5847	2656-MIG, MLG, T9G, 1DG, 2GG, 4CG
Recovery CD Eng-XP Home (US)	01R5348	2656-2HU, 1AU, 3CU, 1GU, 38U, 2HH, 2KH, 1EH, 1EA, 1EM, 1BM, 1DA, L1U, 1BU, NAU, M9U, K1H, L1H, L8H, KMH, KAA, M1A, KBA, KAM, MAM, MLM, KGM
Recovery CD Norway-XP Home	01R5857	2656-M1G, MLG, T9G, 1DG, 2GG, 4CG
Recovery CD Netherland-XP Home	01R5856	2656-M1G, MLG, T9G, 1DG, 2GG, 4CG
Recovery CD Finland-XP Home	01R5855	2656-M1G, MLG, T9G, 1DG, 2GG, 4CG
Recovery CD Italy-XP Home	01R5854	2656-M1G, MLG, T9G, 1DG, 2GG, 4CG
Recovery CD Spanish-XP Home	01R5852	2656-M1G, MLG, T9G, 1DG, 2GG, 4CG, 2HS, 1AS, 2HX, 1AX
Recovery CD Denmark-XP Home	01R5849	2656-M1G, MLG, T9G, 1DG, 2GG, 4CG
Recovery CD Sweden-XP Home	01R5853	2656-M1G, MLG, T9G, 1DG, 2GG, 4CG
Recovery CD French-XP Home	01R5850	2656-LAF, LBF, M9F, M1G, MLG, T9G, 1DG, 2GG, 4CG, LAF, LBF, M9F, 2HF, 1AF, 3CF, 1GF, 38F
Recovery CD German-XP Home	01R5851	2656-M1G, MLG, T9G, 1DG, 2GG, 4CG
Recovery CD Portuguese-XP Home	01R5848	2656-2PH, 1AP
Recovery CD Japan-XP Home	62P8849	2656-1JJ
Recovery CD Traditional Chinese-XP Home	67P5000	2656-L1T, KAT, KGT, 2HT, 1ET
Recovery CD Simplified Chinese-XP Home	67P5003	2656-K1C, KMC, 2HC
Recovery CD HongKong Traditional Chinese-XP Home	67P5006	2656-L7B, K1B, KMB, 2JB, 1EB
Recovery CD Turkey Enabled-XP Home	01R5861	2656-M1G, MLG, T9G, 1DG, 2GG, 4CG
Recovery CD Greek-XP Home	01R5863	2656-M1G, MLG, T9G, 1DG, 2GG, 4CG
Recovery CD Hungary-XP Home	01R5864	2656-M1G, MLG, T9G, 1DG, 2GG, 4CG

Recovery CD Russian-XP Home	01R5865	2656-M1G, MLG, T9G, 1DG, 2GG, 4CG
Recovery CD Polish-XP Home	01R5861	2656-M1G, MLG, T9G, 1DG, 2GG, 4CG
Recovery CD Hebrew Enabled-XP Home	01R5860	2656-M1G, MLG, T9G, 1DG, 2GG, 4CG
Recovery CD CZ-XP Home	01R5859	2656-M1G, MLG, T9G, 1DG, 2GG, 4CG
Recovery CD Arabic-XP Home	01R5858	2656-M1G, MLG, T9G, 1DG, 2GG, 4CG
Recovery CD Eng-XP Pro(UD)	01R5790	2656-M2G, M3G M7G, MEG, R9G, 1CG, 2CG, 2NG, 2EG, 3CG
Recovery CD Eng-XP Pro(US)	01R5347	2656-2GU, 2LU, 2VU, 37U, 1CU, 1FU, KCU, KDU, 39U, KEU, KFU, 1LM, 2MM, L2U, L6U, M2U, NYU, M2M, M5M, NHM, NEM
Recovery CD Norway-XP Pro	01R5800	2656-M2G, M3G, M7G, MEG, R9G, 1CG, 2CG, 2NG, 2EG, 3CG
Recovery CD Netherland-XP Pro	01R5799	2656-M2G, M3G, M7G, MEG, R9G, 1CG, 2CG, 2NG, 2EG, 3CG
Recovery CD Finland-XP Pro	01R5798	2656-M2G, M3G, M7G, MEG, R9G, 1CG, 2CG, 2NG, 2EG, 3CG
Recovery CD Italy-XP Pro	01R5797	2656-M2G, M3G, M7G, MEG, R9G, 1CG, 2CG, 2NG, 2EG, 3CG
Recovery CD Spanish-XP Pro	01R5795	2656-M2G, M3G, M7G, MEG, R5X, R7X, TAX, R5S, R7S, TAS, 2GS, 2LS, 2GX, 2LX R9G, 1CG, 2CG, 2NG, 2EG, 3CG
Recovery CD Denmark-XP Pro	01R5792	2656-M2G, M3G, M7G, MEG, R9G, 1CG, 2CG, 2NG, 2EG, 3CG
Recovery CD Sweden-XP Pro	01R5796	2656-M2G, M3G, M7G, MEG, R9G, 1CG, 2CG, 2NG, 2EG, 3CG
Recovery CD French-XP Pro	01R5793	2656-M2G, M3G, M7G, MEG, NXF, MFF, 37F, 39F, R9G, 1CG, 2CG, 2NG, 2EG, 3CG
Recovery CD German-XP Pro	01R5794	2656-M2G, M3G, M7G, MEG, R9G, 1CG, 2CG, 2NG, 2EG, 3CG
Recovery CD Portuguese-XP Pro	01R5791	2656-M2G, M3G, M7G, MEG, R5P, R7P, TAP, R9G, 1CG, 2CG, 2NG, 2EG, 3CG, 2GP, 2LP

Recovery CD Japan-XP Pro	67P4785	2656-M6J, MCJ, MDJ, T2J, N5J, N2J, PYJ, 2GP, 2LP, 1WJ, 1MJ, GAJ, 1PJ
Recovery CD Traditional Chinese-XP Pro	67P5001	2656-MBT, 1KT
Recovery CD Turkey Enabled-XP Pro	01R5805	2656-M2G, M3G, M7G, MEG, R9G, 1CG, 2CG, 2NG, 2EG, 3CG
Recovery CD Greek-XP Pro	01R5806	2656-M2G, M3G, M7G, MEG, R9G, 1CG, 2CG, 2NG, 2EG, 3CG
Recovery CD Hungary-XP Pro	01R5807	2656-M2G, M3G, M7G, MEG, R9G, 1CG, 2CG, 2NG, 2EG, 3CG
Recovery CD Russian-XP Pro	01R5808	2656-M2G, M3G, M7G, MEG, R9G, 1CG, 2CG, 2NG, 2EG, 3CG
Recovery CD Polish-XP Pro	01R5804	2656-M2G, M3G, M7G, MEG, R9G, 1CG, 2CG, 2NG, 2EG, 3CG
Recovery CD Hebrew Enabled-XP Pro	01R5803	2656-M2G, M3G, M7G, MEG, R9G, 1CG, 2CG, 2NG, 2EG, 3CG
Recovery CD CZ-XP Pro	01R5802	2656-M2G, M3G, M7G, MEG, R9G, 1CG, 2CG, 2NG, 2EG, 3CG
Recovery CD Arabic-XP Pro	01R5801	2656-M2G, M3G, M7G, MEG, R9G, 1CG, 2CG, 2NG, 2EG, 3CG
Recovery CD Eng-Win2000 (US)	01R6084	2656-R6U, R8U, TBU
Recovery CD Portuguess-Win2000	01R6085	2656-R6P, R8P, TBP
Recovery CD Spanish-Win2000	01R6086	2656-R6S, R8S, TBS, R6X, R8X, TBX
Recovery CD Japan-Win2000	67P4782	2656-L3J, T4J, GBJ, 1HJ

## Option Parts List

### Battery charges:

Description	FRU No.
Charger Main Battery Li-Ion —W/W	02K6821
Charger Main Battery Li-Ion —Japan	02K6829



**Ultrabay devices:**

<b>Description</b>	<b>FRU No.</b>
CD—RW drive (SONY)	08K9617*
Diskette drive (TEAC)	08K9606*
Diskette drive (SONY)	08K9607*
SuperDisk drive (LS120 x 2)	05K9235*
SuperDisk drive (LS240)	08K9615*
ZIP—250 drive	00N8254*
2nd HDD adapter	08K6067*
Ultrabay Plus device carrier	26P9388*
Ultrabay Plus numeric keypad	19K2056*
Ultrabay Plus cradle for WorkPad c500 series	26P9389*

---

## Notices

References in this publication to IBM products, programs, or services do not imply that IBM intends to make these available in all countries in which IBM operates. Any reference to an IBM product, program, or service is not intended to state or imply that only IBM product, program, or service may be used. Subject to IBM's valid intellectual property or other legally protectable rights, any functionally equivalent product program, or service may be used instead of the IBM product, program, or service. The evaluation and verification of operation in conjunction with other products, except those expressly designated by IBM, are the responsibility of the user.

IBM may have patents or pending patent applications covering subject matter in this document. The furnishing of this document does not give you any license to these patents. You can send license inquiries, in writing, to:

IBM Director of Licensing  
IBM Corporation  
500 Columbus Avenue  
Thornwood, NY 10594  
U.S.A.

---

## Trademarks

The following terms are trademarks or service marks of IBM Corporation in the United States and other countries:

IBM  
USB  
ThinkPad  
TrackPoint  
TrackPoint IV

The following terms are trademarks or service marks of other companies as follows:

AMD-K6-2	Advanced Micro Devices, Inc.
AMD	Advanced Micro Devices, Inc.
Intel	Intel Corporation
Celeron	Intel Corporation
Mylar	E.I. Du Pont de Nemours and Company
PC-Doctor	Watergate Software, Inc.
PCMCIA	Personal Computer Memory Card Interface Association
Pentium	Intel Corporation

## Free Manuals Download Website

<http://myh66.com>

<http://usermanuals.us>

<http://www.somanuals.com>

<http://www.4manuals.cc>

<http://www.manual-lib.com>

<http://www.404manual.com>

<http://www.luxmanual.com>

<http://aubethermostatmanual.com>

Golf course search by state

<http://golfingnear.com>

Email search by domain

<http://emailbydomain.com>

Auto manuals search

<http://auto.somanuals.com>

TV manuals search

<http://tv.somanuals.com>