

4693 and 4694 DBCS Family:

G135-4029-01

Parts Catalog



4693 and 4694 DBCS Family:

G135-4029-01

Parts Catalog

Note

Before using this information and the product it supports, be sure to read the general information under "How To Use This Parts Catalog" on page iv.

Second Edition (December 1996)

IBM has prepared this maintenance manual for the use of customer service representatives in the installation, maintenance, and repair of the specific machines indicated. IBM makes no representations that it is suitable for any other purpose.

References in this publication to IBM products, programs, or services do not imply that IBM intends to make these available in all countries in which IBM operates. Any reference to an IBM product, program, or service is not intended to state or imply that only IBM's product, program, or service may be used. Any functionally equivalent product, program, or service that does not infringe any of IBM's intellectual property rights may be used instead of the IBM product, program, or service. Evaluation and verification of operation in conjunction with other products, except those expressly designated by IBM, are the user's responsibility.

IBM may have patents or pending patent applications covering subject matter in this document. The furnishing of this document does not give you any license to these patents. You can send license inquiries, in writing, to the IBM Director of Licensing, IBM Corporation, 500 Columbus Avenue, Thornwood, NY 10594 USA.

Copyright International Business Machines Corporation 1996. All rights reserved.

Note to U.S. Government Users — Documentation related to restricted rights — Use, duplication or disclosure is subject to restrictions set forth in GSA ADP Schedule Contract with IBM Corp.

Contents

How To Use This Parts Catalog	iv
Assembly <i>n</i> : Example Assembly	iv
Assemblies Listing	v
System Unit Assemblies	1
Assembly 1: System Units, 4693	2
Assembly 2: System Units, 4694, Models 154 and 254	10
Display Assemblies	15
Assembly 3: Video Displays	16
Assembly 4: Character Graphics Display	18
Assembly 5: Displays, Flat Panel	20
Assembly 6: Displays, Sure Point Touch	22
Assembly 7: Base Asm for Displays, Flat Panel and Sure Point Touch	24
Keyboard Assemblies	27
Assembly 8: Keyboard V	28
Assembly 9: 4685-K01 Keyboard (Keyboard-VI)	30
Assembly 10: PC POS Keyboard	32
Assembly 11: PLU Keyboard/Display - III	34
Assembly 12: PLU Extension Box	36
Cash Drawer Assemblies	39
Assembly 13: Cash Drawer Assembly	40
Assembly 14: Integrated Slant Top Asm	42
Assembly 15: Integrated Filler Panel Kit, Character/Graphics Display	44
Assembly 16: Integrated Filler Panel Kits, Video Display	46
Assembly 17: Integrated Printer Filler Panel	48
Assembly 18: Integrated Tape Holder Kits	50
Assembly 19: Cash Drawer Integrated I/O Adapter Plate Assemblies	52
Assembly 20: Till Cover Assemblies	54
Assembly 21: Till Box Assemblies	56
Assembly 22: Line Cord and Cable Assemblies	58
Assembly 23: Option Adapter Cards	59
Assembly 24: Locks, Tools, and Diskettes	60
Part Number Index	61

How To Use This Parts Catalog

This parts catalog contains reference drawings and a corresponding index for all field replaceable parts. The index provides the part number, the quantity required (units), and a description of the part.

You may locate specific assemblies by referring to the Table of Contents, the “Assemblies Listing” on page v, or the “Part Number Index” on page 61.

Listed below is additional information about the parts assembly index.

SIMILAR ASSEMBLIES: If two assemblies contain a majority of identical parts, they are broken down on the same list. Common parts are shown by one index number. Parts specific to one or the other of the assemblies are listed separately and identified by description.

AR: (As Required) in the Units column indicates that the quantity is not the same for all machines.

NP: (Non-Procurable) in the Units column indicates that the part is non-procurable and that the individual parts or the next higher assembly should be ordered.

NR: (Not Recommended) in the Units column indicates that the part is procurable, but not recommended for field replacement, and that the next higher assembly should be ordered.

R: (Restricted) in the Units column indicates the part has a restricted availability.

NS: (Not Shown)

INDENTURE: The indenture is marked by a series of dots located before the parts description. The indenture indicates the relationship of a part to the next higher assembly. For example:

Indenture	Relationship of Parts
(No dot)	MAIN ASSEMBLY
(One dot)	Detail parts of a main assembly
(One dot)	Subassembly of the main assembly
(Two dots)	Detail part of a one-dot subassembly
(Two dots)	Subassembly of a one-dot subassembly
(Three dots)	Detail part of a two-dot subassembly

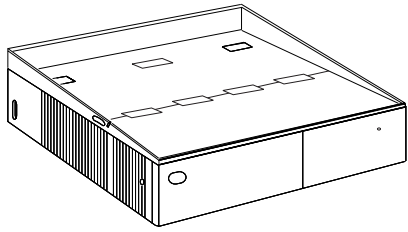
Assembly *n*: Example Assembly

Asm-Index	Part Number	Units	Description
<i>n</i> -	2512667	1	Cover Assembly, Rear, Red
-	2512668	1	Cover Assembly, Rear, Yellow
			For Next Higher Assembly, See Assembly 1-2
-1	5373637	1	Seal, Top
-2	5356429	2	Clip, Retaining
-3	2513013	3	Liner, Cover
-4	5373727	1	Seal, Left Side
-5	513668	2	Catch, Cover
-6	81693	4	Screw, Mach, Bind Hd 6-32, 0.375 Long
-7	1847630	R	Finger Stock Assembly
-8	1847602	NR	Channel, Finger Stock
-9	1847604	NR	Finger Stock, 2.00 Long
-10	5373639	AR	Seal, Bottom

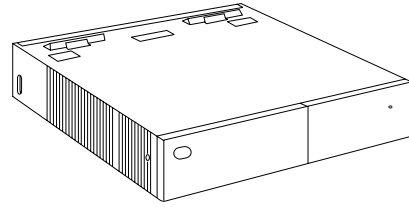
Assemblies Listing

Base Asm for Displays, Flat Panel and Sure Point Touch	24
Cash Drawer Assembly	40
Cash Drawer Integrated I/O Adapter Plate Assemblies	52
Character Graphics Display	18
Displays, Flat Panel	20
Displays, Sure Point Touch	22
Integrated Filler Panel Kit, Character/Graphics Display	44
Integrated Filler Panel Kits, Video Display	46
Integrated Printer Filler Panel	48
Integrated Slant Top Asm	42
Integrated Tape Holder Kits	50
Keyboard V	28
Line Cord and Cable Assemblies	58
Locks, Tools, and Diskettes	60
Option Adapter Cards	59
PC POS Keyboard	32
PLU Extension Box	36
PLU Keyboard/Display - III	34
System Units, 4693	2
System Units, 4694, Models 154 and 254	10
Till Box Assemblies	56
Till Cover Assemblies	54
Video Displays	16
4685-K01 Keyboard (Keyboard-VI)	30

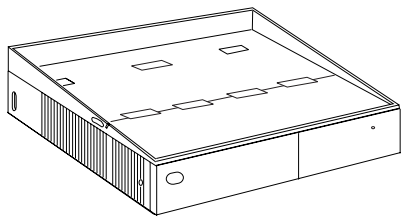
System Unit Assemblies



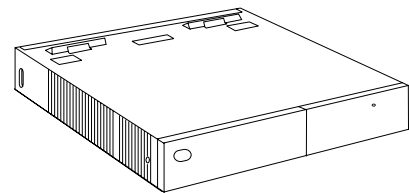
“Assembly 1: System Units, 4693” on page 2



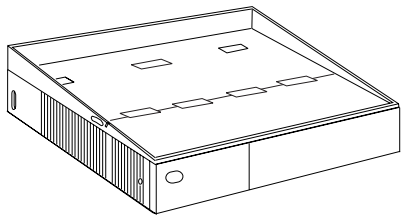
“Assembly 1: System Units, 4693” on page 2



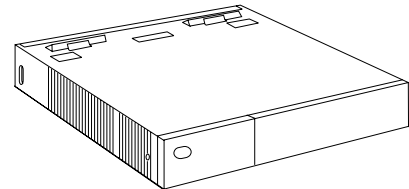
“Assembly 1: System Units, 4693” on page 2



“Assembly 1: System Units, 4693” on page 2

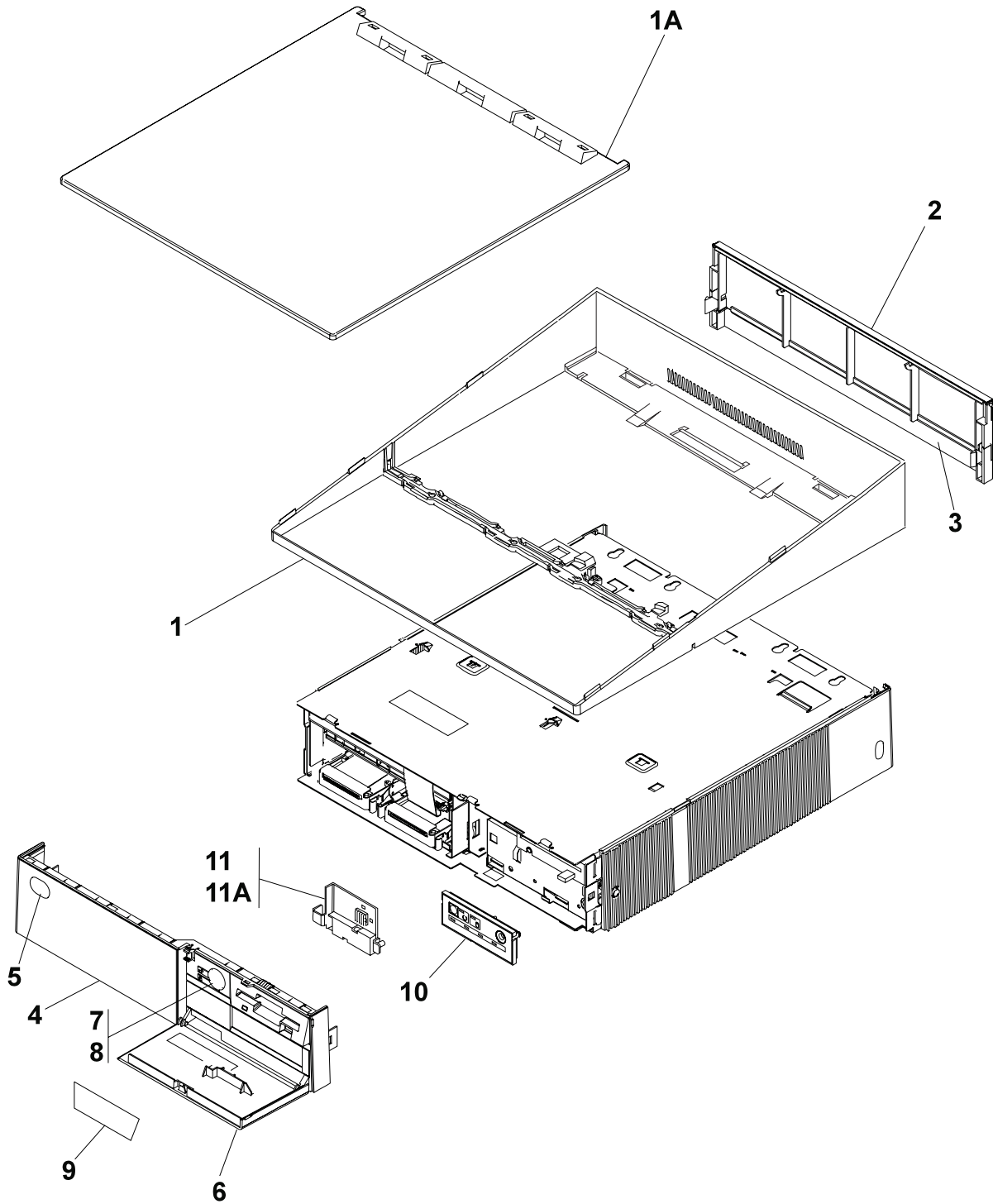


“Assembly 2: System Units, 4694, Models 154 and 254” on page 10



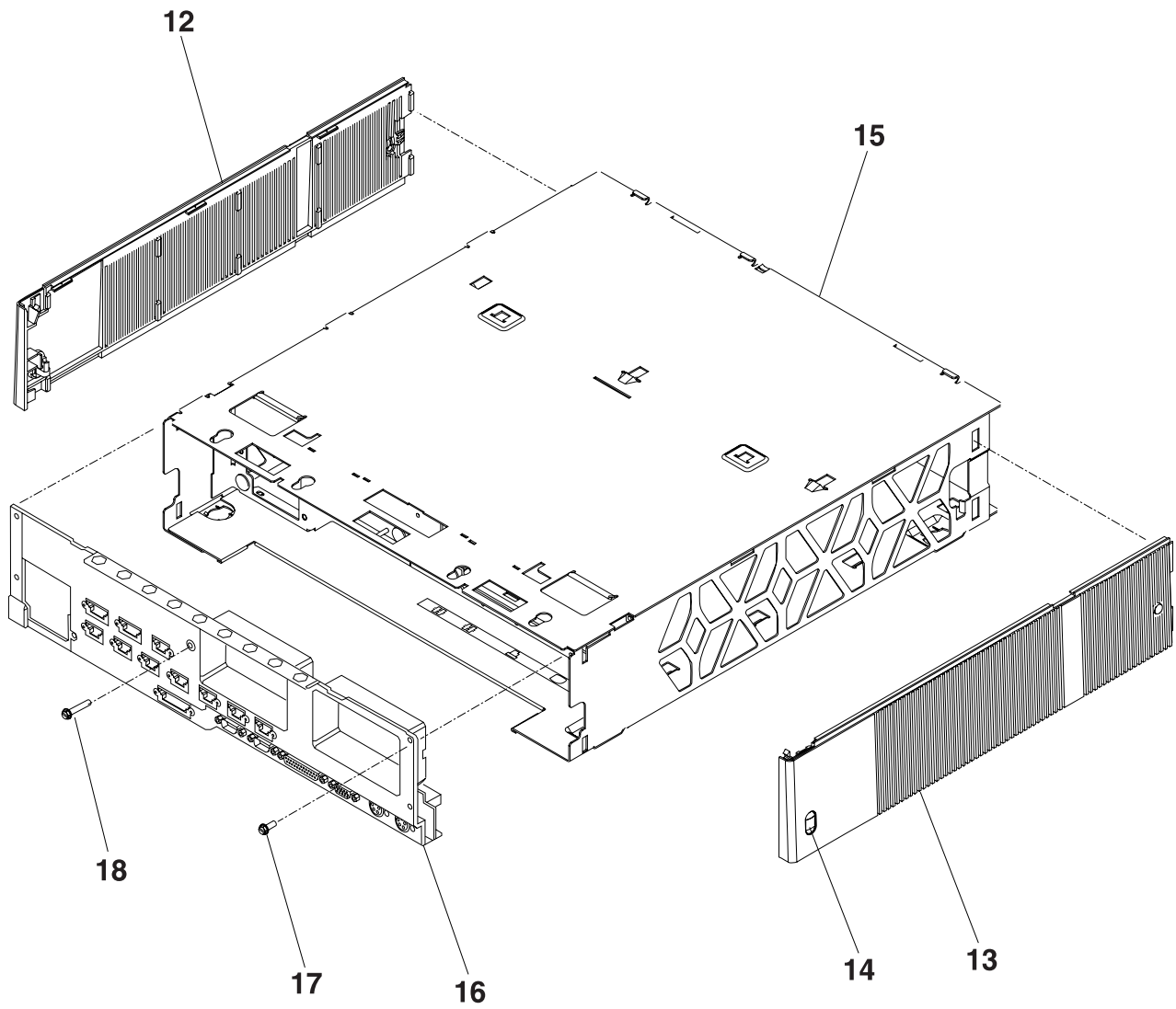
“Assembly 2: System Units, 4694, Models 154 and 254” on page 10

Assembly 1: System Units, 4693



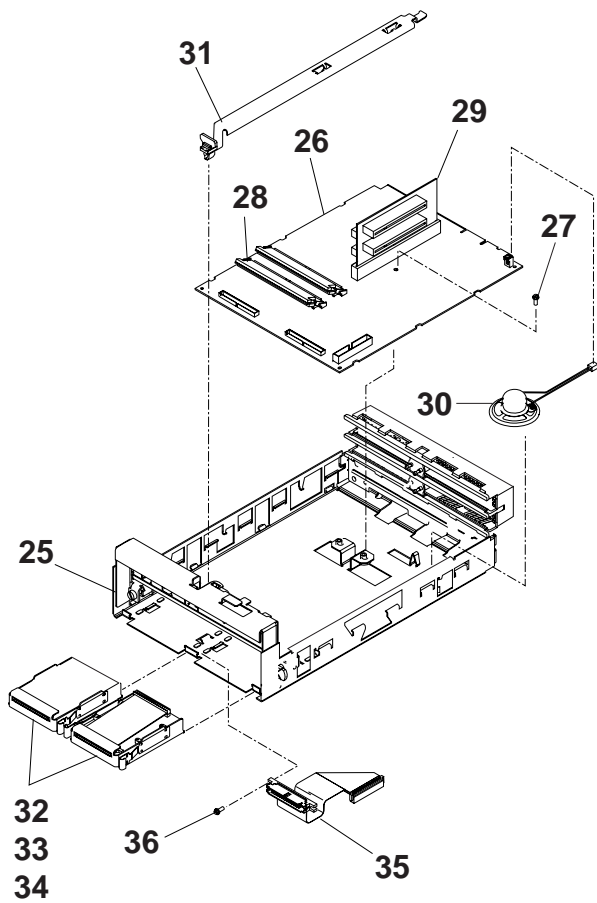
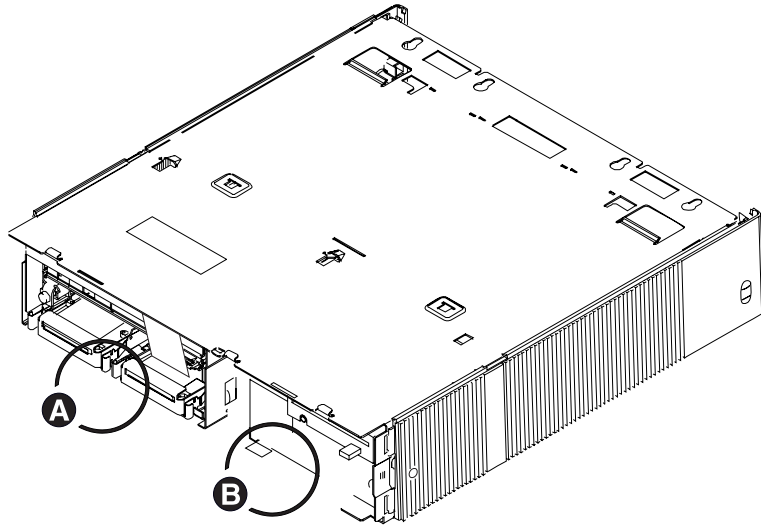
Asm- Index	Part Number	Units	Description
1-		NP	System Unit Assembly, 4693 Models 212, 331, 431, 551
-1	93F1875	1	Fence Asm, Integrated
-1A	93F1860	1	Flat Top Asm, Distributed
-2	93F1896	1	Panel, Rear Cover, Modesty, Tall Model 551 only
-2	93F1899	1	Panel, Rear Cover, Modesty, Short Models 212, 331, 431
-3	93F1818	1	Insert, Rear Cover Modesty Panel
-4	93F1843	1	Cover Asm, Front Panel Model 551 only
-4	93F1880	1	Cover Asm, Front Panel Models 212, 331, 431
-5	93F1836	R	Logo Plate
-6	93F1847	1	Door Asm, Front Panel Tall Model 551 only
-6	93F1887	1	Door Asm, Front Panel Short Models 212, 331, 431
-7	93F1855	1	Lock Barrel and Clip Model 551 only
-8	93F1826	1	Lock Parts Kit Model 551 only
-9	93F1866	1	Panel, Blank Model 551 only
-10	93F1844	1	Panel Asm, Operator Model 551 only
-10	93F1845	1	Panel Asm, Operator Models 331, 431
-10	93F1846	1	Panel Asm, Operator Model 212 only
-11	93F1863	1	Interlock Asm (without Battery)
-11A	93F1135	1	Battery Asm, Standard Duration Models 331, 431

Assembly 1: (continued)

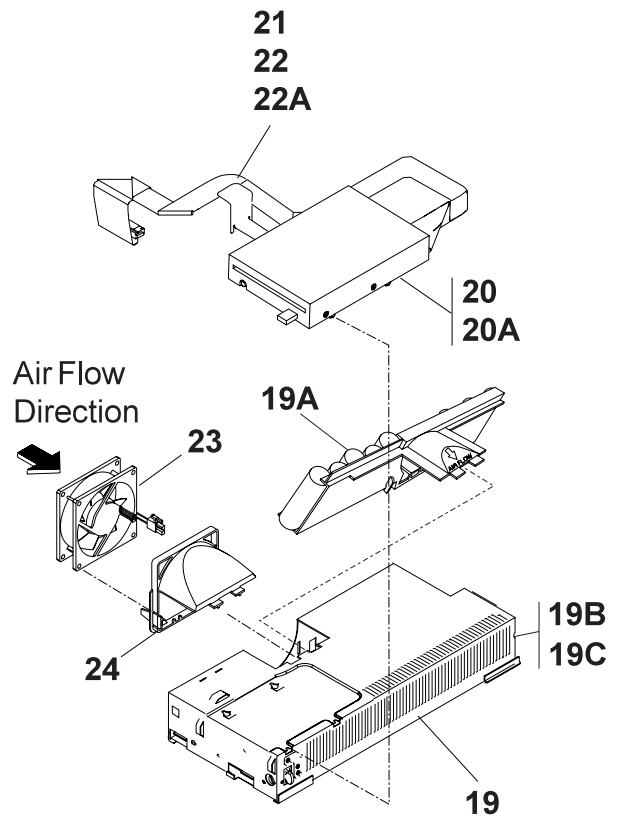


Asm- Index	Part Number	Units	Description
1-12	93F1842	1	Cover Asm, Right Side Model 551 only
-12	93F1852	1	Cover Asm, Right Side Models 212, 331, 431
-13	93F1841	1	Cover Asm, Left Side Model 551 only
-13	93F1851	1	Cover Asm, Left Side Models 212, 331, 431
-14	93F1902	1	Button
-15		NP	Tunnel Asm
-16	93F1823	1	Panel Asm, Rear Connector Model 212 only
-16	93F1793	1	Panel Asm, Rear Connector Model 331 only
-16	93F1822	1	Panel Asm, Rear Connector Model 431 only
-16	93F1821	1	Panel Asm, Rear Connector Model 551 only
-17	61X8794	5	Screw, M3.5
-18	93F0738	1	Screw, M3.5

Assembly 1: (continued)



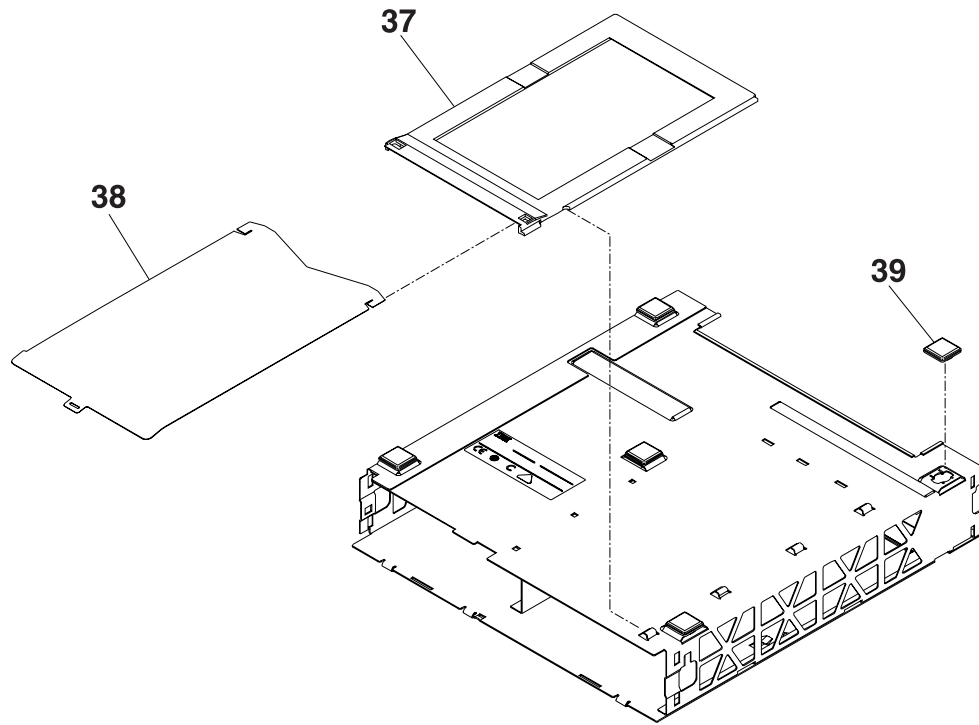
DETAIL A



DETAIL B

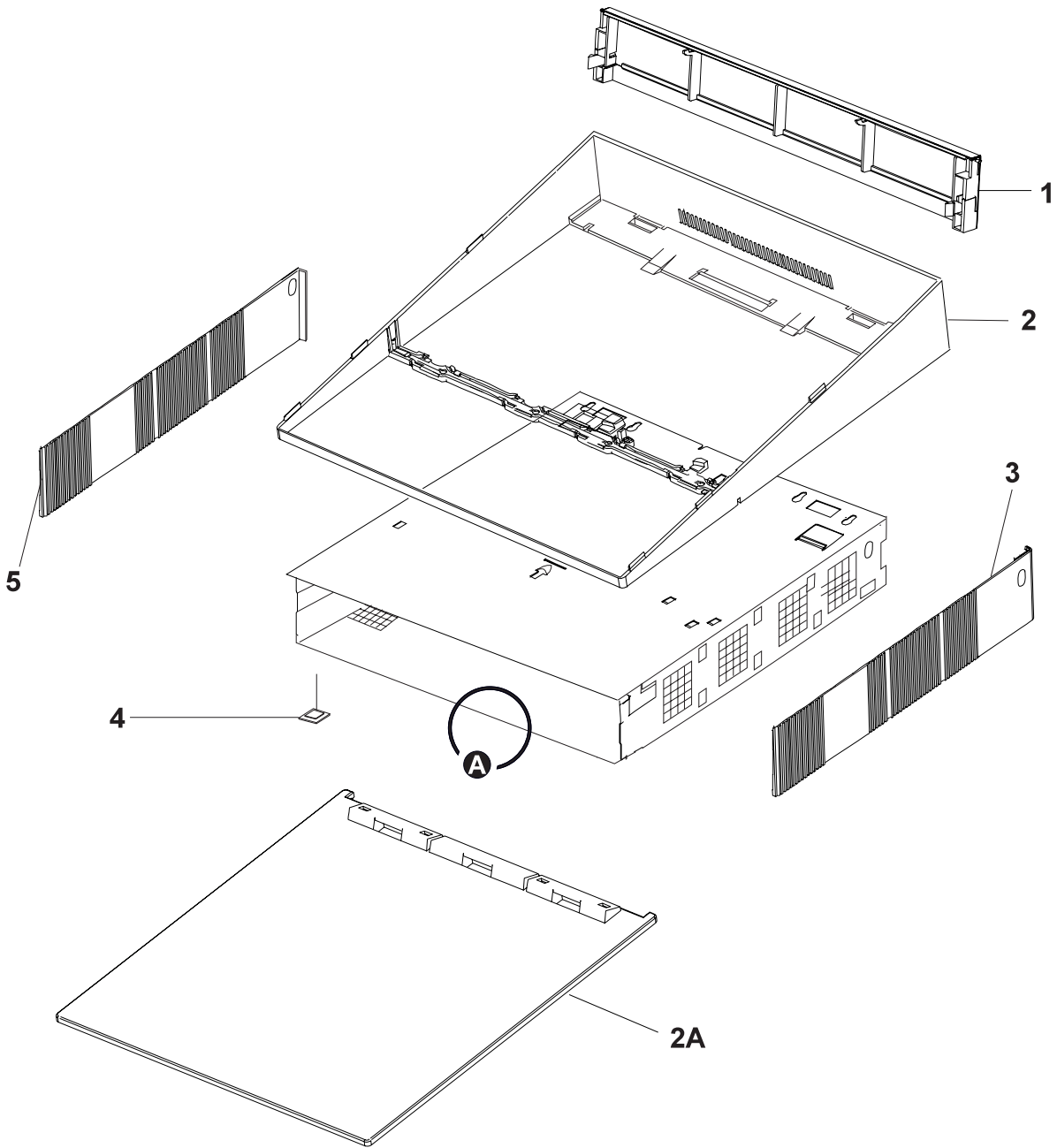
Asm- Index	Part Number	Units	Description
1-19	93F1871	1	Power Supply Asm DB, Low Voltage
-19	93F1872	1	Power Supply Asm DB, High Voltage
-19A	93F1785	1	Battery Asm, Extended Duration
-19B	60G1317	1	Fuse Carrier
-19C	60G1318	1	Fuse
-20	93F1853	1	Diskette Drive Asm, 1.44 Meg, Model 551 only
-20	93F1895	1	Diskette Drive Asm, 2.88 Meg, Model 551 only
-20A	93F0658	AR	Stud, M3
-21	93F1831	1	Cable, Diskette Long
-22	93F1848	1	Clip
-22A	1621176	AR	Screw, Pan HD, M3 X 4
-23	93F1834	1	Fan, 80 mm, Model 551 only
-23	93F1835	1	Fan, 60 mm, Models 212, 331, 431
-24	93F1865	1	Plenum, Fan, 80 mm, Model 551
-24	93F1879	1	Plenum, Fan, 60 mm, Models 212, 331, 431
-25	93F1825	1	Card Cage Asm, Model 551 only
-25	93F1891	1	Card Cage Asm, Models 212, 331, 431
-26	93F1810	1	System Board Asm, Model 551 (PRE-CR)
-26	93F1802	1	System Board Asm, Model 431 (PRE-CR)
-26	93F1804	1	System Board Asm, Model 331 (PRE-CR)
-26	93F1803	1	System Board Asm, Model 212 only
-26	13H8923	1	System Board Asm, Model 551, CR
-26	13H8924	1	System Board Asm, Model 431, CR
-26	13H8925	1	System Board Asm, Model 331, CR
-26	42H1861	1	System Board Asm, Model 331, CR (NEW RAW CARD)
-26	13H8930	1	System Board Asm, Model 431, 486SLC2
-26	42H1860	1	System Board Asm, Model 431, N421
-27	61X8794	2	Screw, M3.5
-28	93F1830	AR	Memory SIMM, 2 Meg, Models 331, 431, 551
-28	93F1840	AR	Memory SIMM, 4 Meg, Models 331, 431, 551
-28	93F1850	AR	Memory SIMM, 8 Meg, Models 331, 431, 551
-29	93F1790	1	Bus Adapter Card Asm, Feature, Model 551 only
-29	93F1791	1	Bus Adapter Card Asm, Feature, Models 331, 431
-30	93F1833	1	Speaker Asm,
-31	93F1819	1	Bus Adapter Retainer,
-32	93F1849	AR	Fixed Disk, 80 MB, (Includes Cable and Bracket), Model 551 only
-32	93F1877	AR	Fixed Disk, 160 MB, (Includes Cable and Bracket), Model 551 only
-33	93F1858	1	Bracket Kit, Model 551 only
-34	93F1857	1	Cable Asm, Fixed Disk, Model 551 only
-35	93F1881	1	Cable, Diskette, Short, Model 551 only
-36	78X8993	2	Screw, M3, Model 551 only

Assembly 1: (continued)



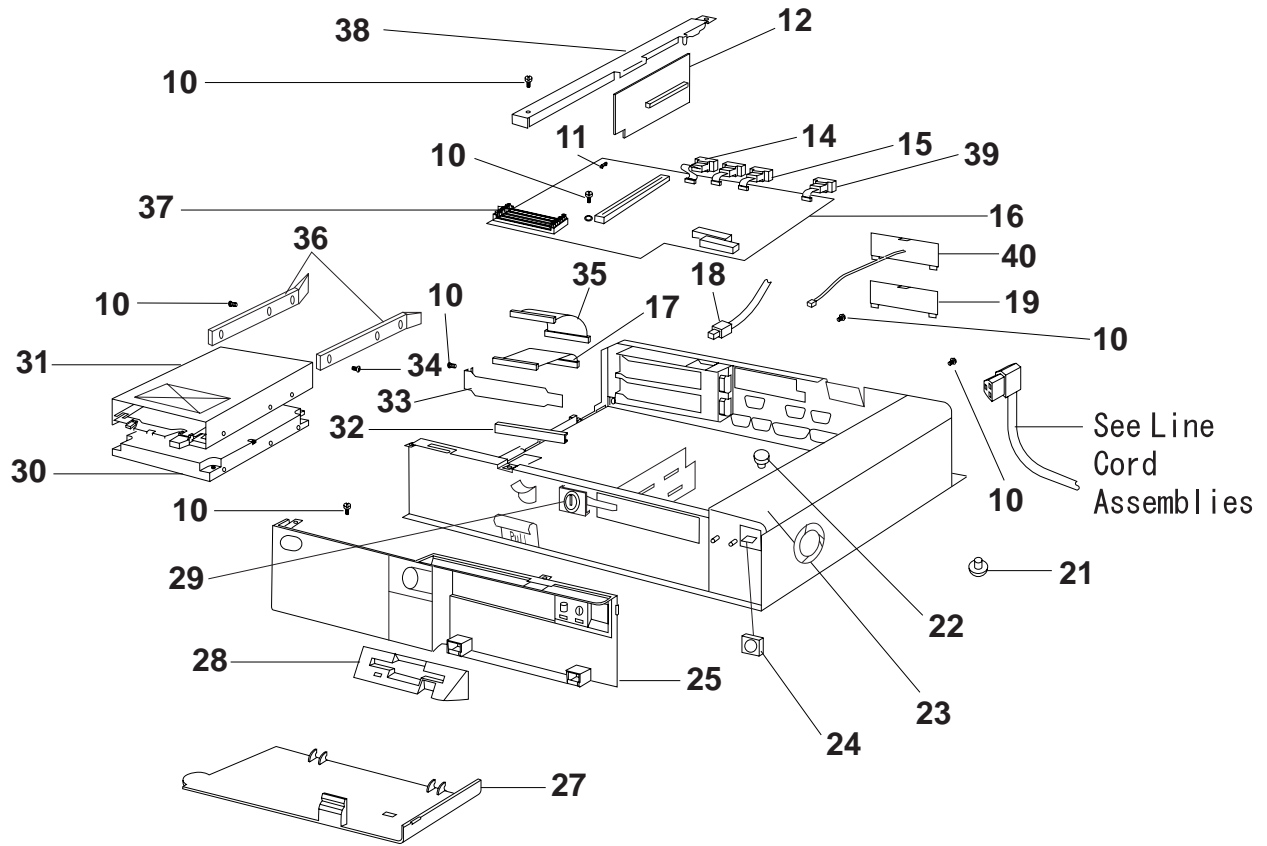
Asm- Index	Part Number	Units	Description
1-37	93F1854	1	Document Tray
-38	48G9079	1	Quick Reference Card, Japan
-38	48G9085	1	Quick Reference Card, Korea
-39	93F0663	4	Rubber Foot

Assembly 2: System Units, 4694, Models 154 and 254



Asm- Index	Part Number	Units	Description
2-		NP	System Unit Assembly, 4694, Model 154
-1	93F1818	1	Insert, Rear Cover Modesty Panel
-1	93F1899	1	Panel, Rear Cover, Modesty
-2	93F1875	1	Fence Asm, Integrated
-2A	93F1860	1	Flat Top Asm, Distributed
-3	93F1852	1	Cover, Right Side
-4		4	Foot (order Kit 85H4995, index 7)
-5	93F1851	1	Cover, Left Side
-6	85H4995	1	Hardware Kit, Contents: Button, ON/OFF, White (X1) Foot (X1), Models 001, 004, 024 only Slot Guide, Long, Feature Card (X1) Slot Guide, Short, Feature Card (X1) Slot Cover, AT, Feature Card (X1) Button, ON/OFF, White (X1) Fuse, System Board, 5 A 125 V (X1) Screw, Washer Head, M3 x 5 mm (X5) Screw, Pan Head, 6-32 UNC x 4 mm (X2) Mounting Bracket (X2) Foot (X2), Models 041, 044, 144, 154, and 254 only

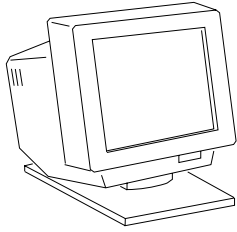
Assembly 2: (continued)



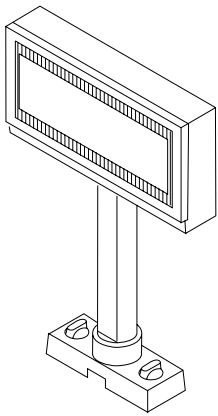
DETAIL A

Asm- Index	Part Number	Units	Description
2-		NP	System Unit Assembly, Detail A, 4694 Models 154 and 254
-10		27	Screw, Washer Head, M3 x 5 mm (order Kit 85H4995, index 6)
-11		1	Fuse, System Board, 5 A, 125 V (order Kit 85H4995, index 6)
-12	85H4975	1	Riser Card, Model 154
-12	92G9495	1	Riser Card, Model 254
-14	59G8713	1	Cable Asm, VGA Feature (includes 2 mounting screws)
-15	59G8714	2	Cable Asm, RS232 (includes 2 mounting screws)
-16	85H5004	1	System Board, Model 154 (includes Fuse, No Memory Modules, see Index 37)
-16	85H4959	1	System Board, Model 254 (includes Fuse, No Memory Modules, see Index 37)
-17	59G8686	1	Cable Asm, Fixed Disk Drive
-18	59G8730	1	Cable Asm, LAN, 4.3 M
-19	59G8711	1	Cover
-21		4	Foot (order Kit 85H4995, index 7)
-22		2	Spacer, System Board (order Kit 85H4995, index 6)
-23	92G9500	1	Power Supply, 24 V DBCS, 160 W, Model 154
-23	85H8526	1	Power Supply, 24 V DBCS, 197 W, Model 254
-24		1	Button, ON/OFF, White (order Kit 85H4995, index 6)
-25	92G9437	1	Front Cover Asm, (includes Door, Logo, LED Label, FDD Bezel)
-27	92G9438	1	Door, Front
-28	59G8688	1	Cover, Diskette Drive
-29	59G8819	1	Keylock Asm
-30	38H5899	1	Fixed Disk Drive, 850 MB
-30	85H4974	1	Fixed Disk Drive, 1.6 GB
-31	59G8678	1	1.44 M Diskette Drive
-32		2	Slot Guide, Feature Card (order Kit 85H4995, index 6)
-33		2	Slot Cover, Feature Card (order Kit 85H4995, index 6)
-34		4	Screw, Pan Head, 6-32 UNC x 4 mm (order Kit 85H4995)
-35	59G8687	1	Cable Asm, Diskette Drive
-36		AR	Mounting Bracket, X2 or 4 (order Kit 85H4995, index 7)
-37	92G9454		4 MB Memory Module
-37	92G9455		8 MB Memory Module
-37	92G9470		16 MB Memory Module
-38	85H4970	1	Spline, Model 154
-38	85H4958	1	Spline, Model 254
-39	85H4960	1	Cable Assembly, Parallel Port, Model 254
-40	85H4973	1	Dump Switch Asm
-	92G9475	1	Button, Short, Diskette Drive (package of 10)

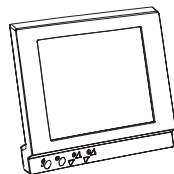
Display Assemblies



“Assembly 3: Video Displays” on page 16



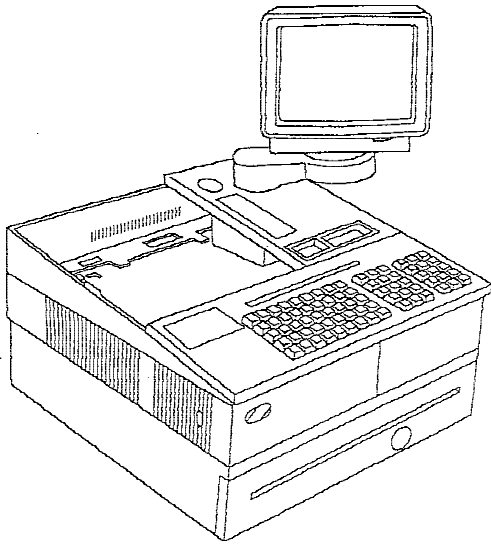
“Assembly 4: Character Graphics Display” on page 18



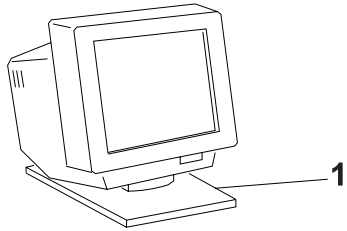
“Assembly 5: Displays, Flat Panel” on page 20

“Assembly 6: Displays, Sure Point Touch” on page 22

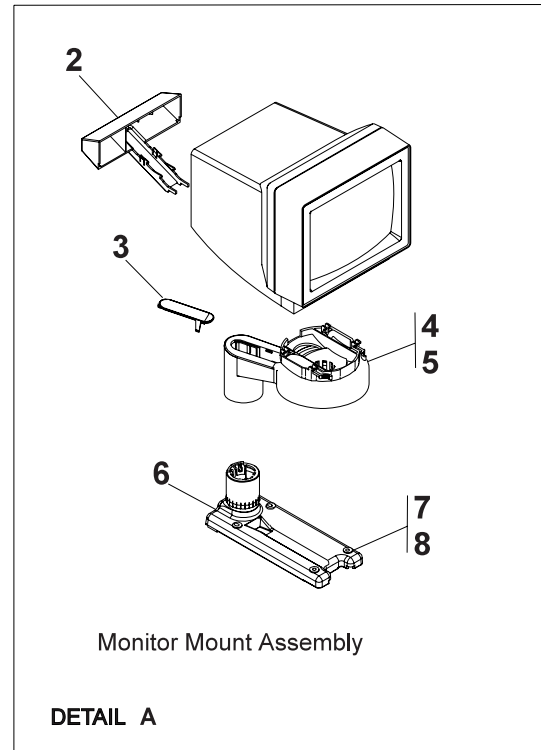
Assembly 3: Video Displays



9-Inch Video Display-Integrated

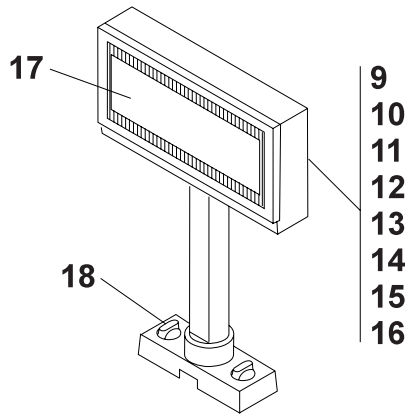


9-Inch Video Display-Distributed



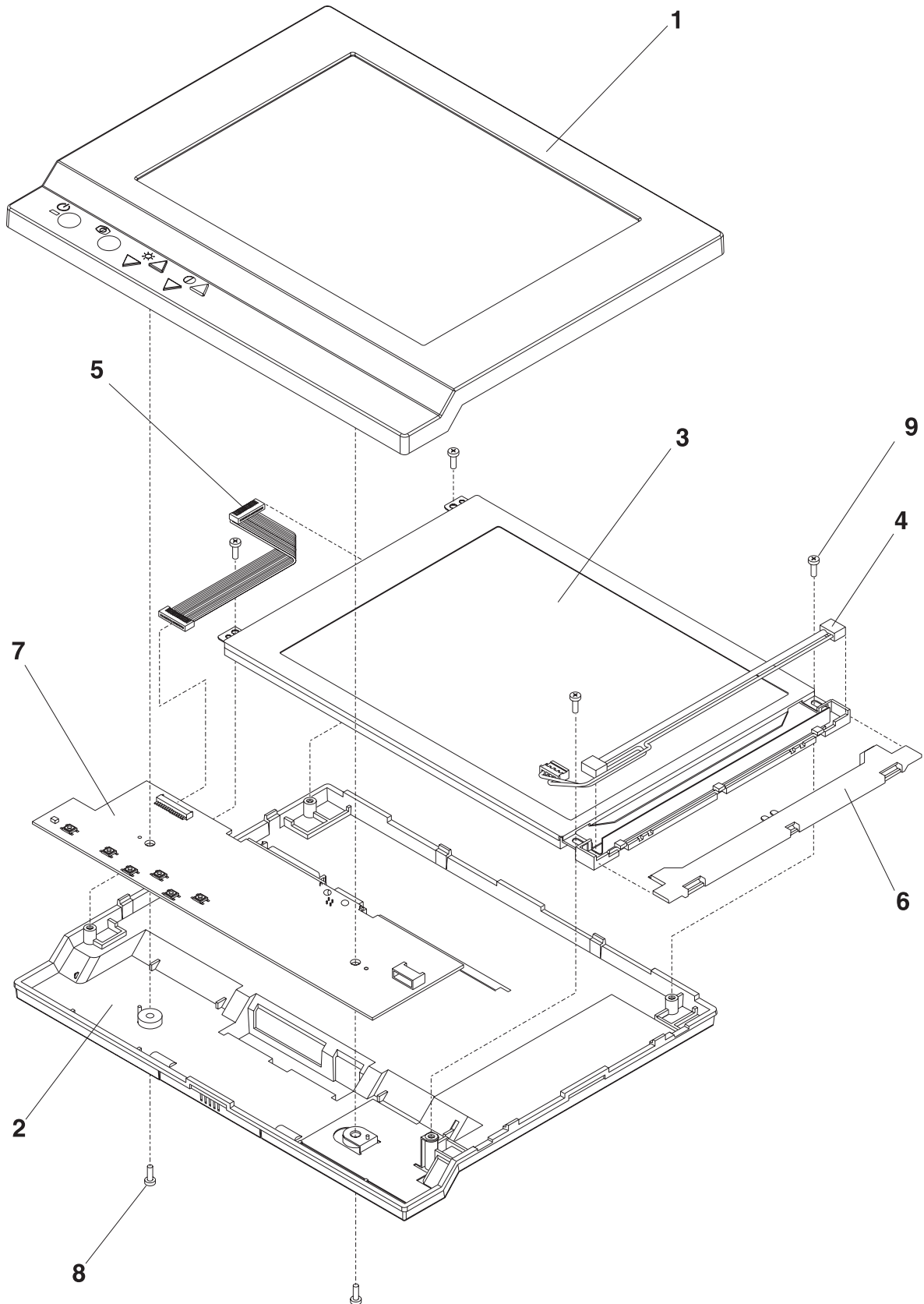
Asm- Index	Part Number	Units	Description
3-	92G7831	1	Display, 9 Inch Video Monochrome, 1.0 m Cables
-	92G7832	1	Display, 9 Inch Video Monochrome, 2.6 m Cables
-	72H5178	1	Display, 9 Inch Video Color, 1.0 m Cables
-	72H5179	1	Display, 9 Inch Video Color, 2.6 m Cables
-1	85X7418	1	Swivel Stand, Distributed Monochrome
-1	25H4186	1	Swivel Stand, Distributed Color
			The entries below are for Detail A
-2	93F1794	1	Rear Cover
-3	93F1797	1	Arm, Plug
-4	93F1789	1	Integrated Mount, Subassembly Monochrome
-5	60G4144	1	Integrated Mount Subassembly, Color
-6	93F1796	1	Casting Subassembly
-7	93F1832	4	Screw, M5
-8	60G1375	4	Retainer, Screw

Assembly 4: Character Graphics Display



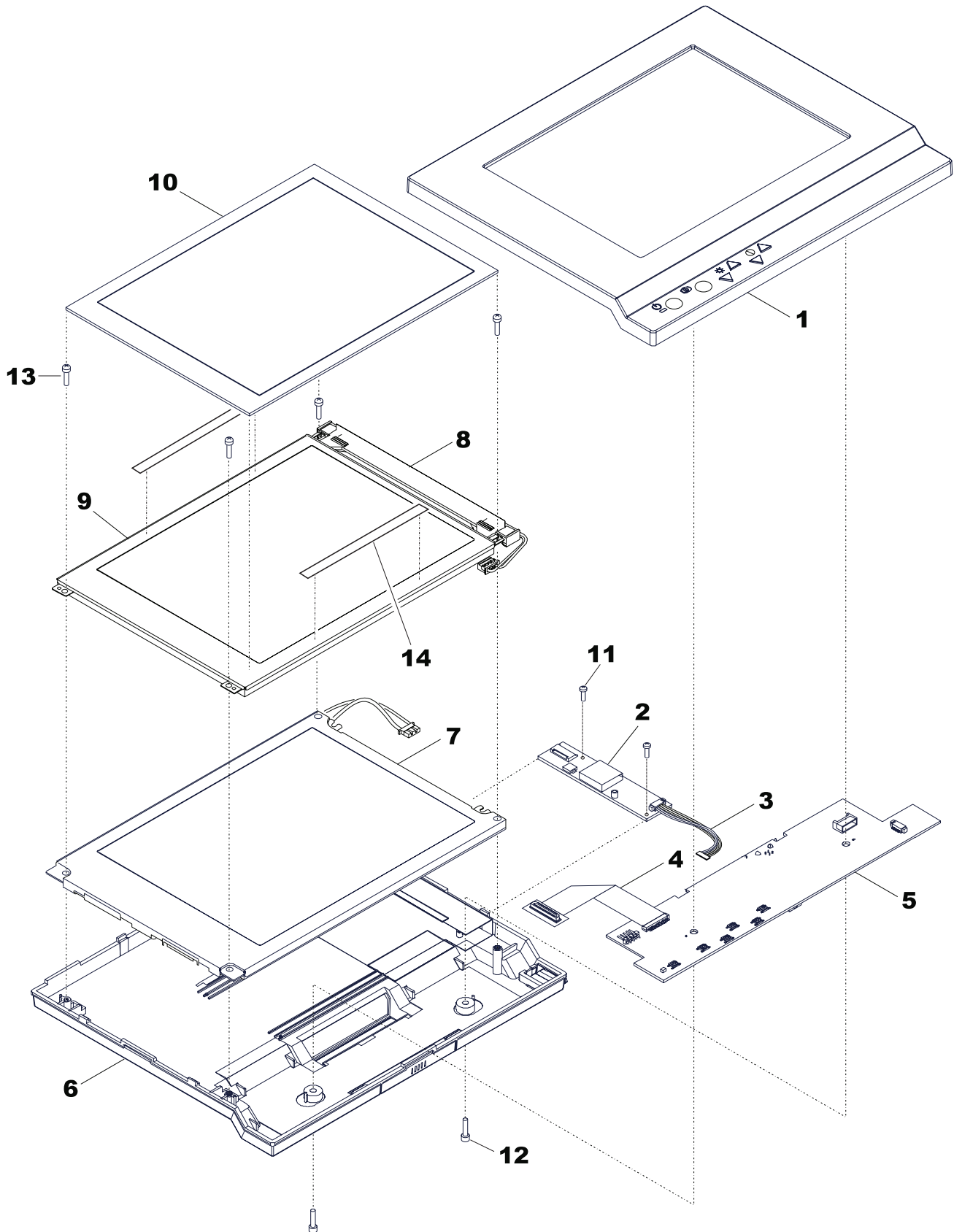
Asm- Index	Part Number	Units	Description
4-9		NP	Character Graphic Display, Operator, Japan
-10		NP	Character Graphic Display, Operator, Korea
-11		NP	Character Graphic Display, Customer, Japan
-12		NP	Character Graphic Display, Customer, Korea
-13	48G9003	1	Display, Asm, Operator, Japan
-14	48G9006	1	Display, Asm, Operator, Korea
-15	48G9004	1	Display, Asm, Customer, Japan
-16	48G9007	1	Display, Asm, Customer, Korea
-17	48G9018	1	Filter, Smoke
-18	95F3190	2	Thumb Screw

Assembly 5: Displays, Flat Panel



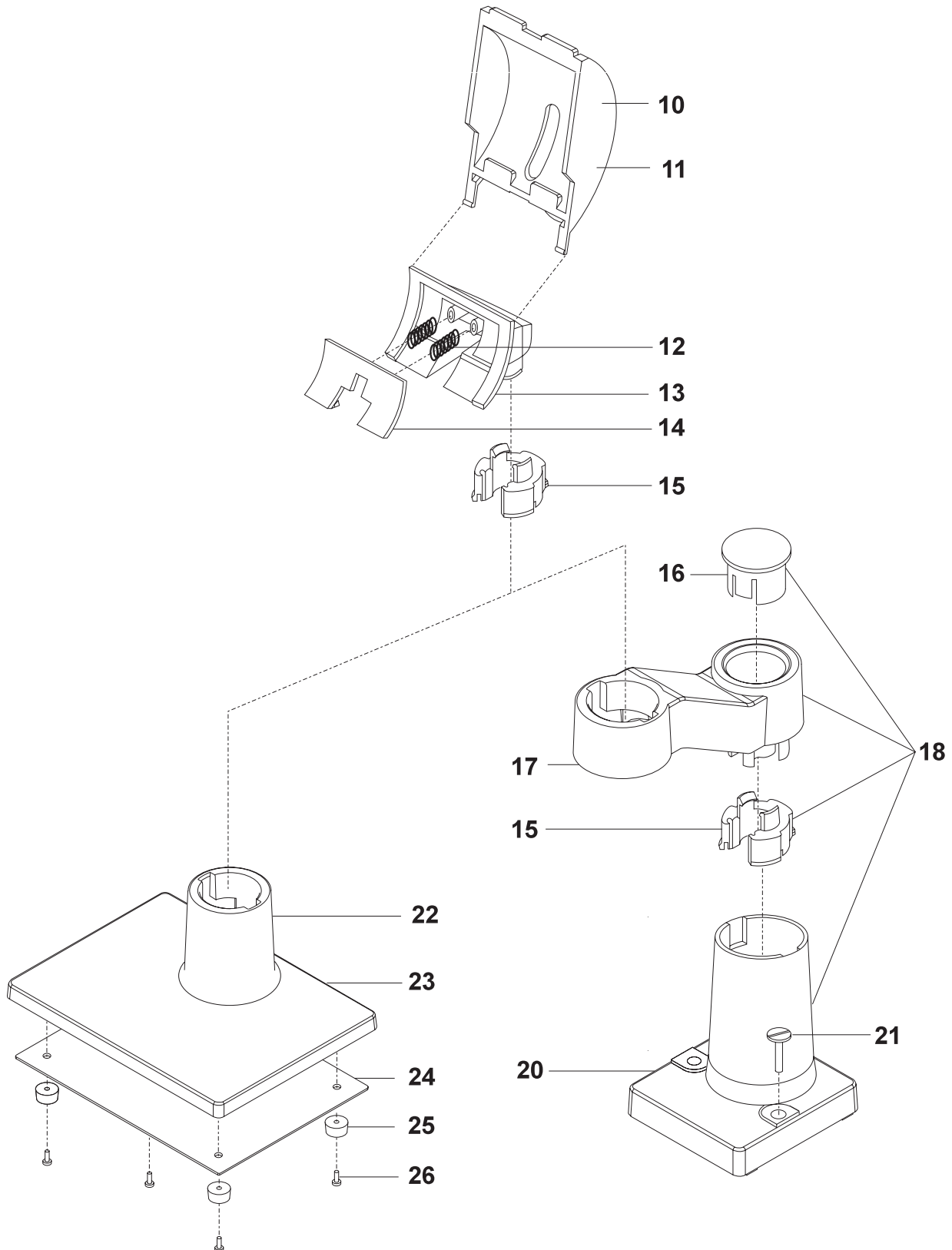
Asm- Index	Part Number	Units	Description
5-	66G4206	NP	Display Unit, Flat Panel, LCD, Monochrome
-1	66G4207	1	Cover Asm, Front
-2	66G4208	1	Cover Asm, Rear
-3	85G6319	1	LCD Module Asm
-4	66G4210	1	CCFL Asm, Backlight
-5	66G4211	NP	Cable, LCD Module
-6	66G4222	NP	Cover, CCFL
-7	66G4230	1	Card Asm, LCD Panel
-	85G6410	1	Screw and Tape Kit
-	85G6359	NP	Screw, M2.2 4.5 mm (X2)
-8	66G4237	NP	Screw, M3 12 mm (X2)
-9	66G4238	NP	Screw, M3 8 mm (X4)
-	85G6411	NP	Adhesive Tape (X2)

Assembly 6: Displays, Sure Point Touch



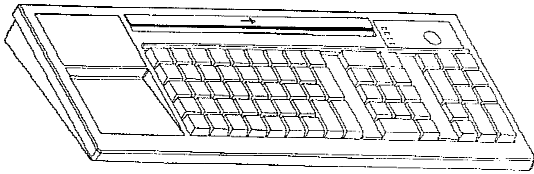
Asm- Index	Part Number	Units	Description
6-	85G6304	NP	Display Unit, Touch Screen, LCD, Monochrome
-	85G6307	NP	Display Unit, Touch Screen, LCD, Color, 10.4 in.
-1	85G6308	1	Cover Asm, Front, Monochrome
-1	85G6347	1	Cover Asm, Front, Color, 10.4 in.
-2	85G6357	1	Card Asm, Inverter, Color, 10.4 in.
-3	85G6329	1	Cable Asm, Inverter, Color
-4	85G6328	1	Card and Cable Asm, LCD Module, Color, 10.4 in.
-5	85G6310	1	Card Asm, LCD Panel, Monochrome
-5	85G6407	1	Card Asm, LCD Panel, Color, 10.4 in.
-6	85G6309	1	Cover Asm, Rear, Monochrome
-6	85G6348	1	Cover Asm, Rear, Color, 10.4 in.
-7	85G6349	1	LCD Module Asm, Color, 10.4 in.
-8	66G4210	1	CCFL Asm, Backlight, LCD, Monochrome
-9	85G6319	1	LCD Module Asm, Monochrome
-10	85G6311	1	Touch Screen Unit Asm, Monochrome
-10	85G6341	1	Touch Screen Unit Asm, Color, 10.4 in.
-	85G6411	NP	Adhesive Tape, Color (X2)
-	85G6410	1	Screw and Tape Kit
-11	85G6359	NP	Screw, M2.2 4.5 mm, Color (X2)
-12	66G4237	NP	Screw, M3 12 mm (X2)
-13	66G4238	NP	Screw, M3 8 mm (X4)
-14	85G6411	NP	Adhesive Tape, Color (X2)
-	85G6302	NS	MSR Asm, Dual Head (X1)

Assembly 7: Base Asm for Displays, Flat Panel and Sure Point Touch

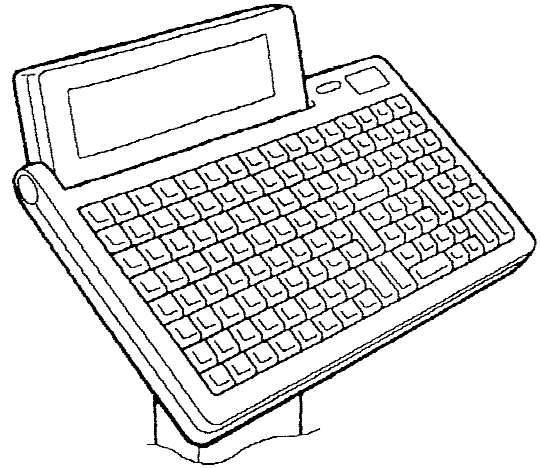


Asm- Index	Part Number	Units	Description
7-10	66G4242	1	Base Asm, Display Holder (Use for Integrated and Distributed Base Pedestals)
-11	66G4243	NP	Tilt Attachment, Molded
-12	66G4244	NP	Spring (X2)
-13	66G4245	NP	Swivel Attachment, Molded
-14	66G4246	NP	Tilt Support
-15	85G6345	NP	Arm Support
-18	66G4250	1	Base Asm, Integrated Display
-15	85G6345	NP	Arm Support
-16	66G4253	NP	Arm Plug, Molded
-17	66G4251	NP	Arm, Molded
-20	66G4252	NP	Pedestal, Molded, Integrated
-21	48G9180	NP	Screw, M5 20 mm
-22	66G4255	1	Base Asm, Distributed Display
-23	66G4256	NP	Pedestal, Molded, Distributed
-24	66G4257	NP	Plate, Base
-25	66G4258	NP	Foot, Base (X4)
-26	4761085	NP	Screw, M3 10 mm (X4)
-	66G4267	1	Cable Asm, Display, Flat Panel, 0.8 m (2 ft.)
-	66G4266	1	Cable Asm, Display, Flat Panel, 3.8 m (12 ft.)

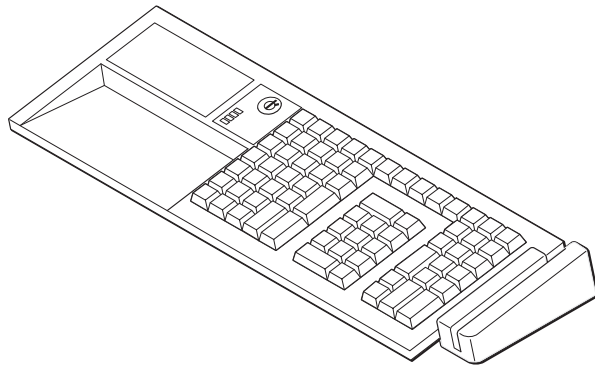
Keyboard Assemblies



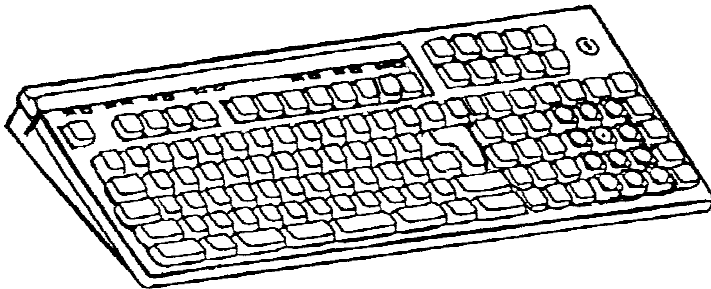
“Assembly 8: Keyboard V” on page 28



“Assembly 11: PLU Keyboard/Display - III” on page 34

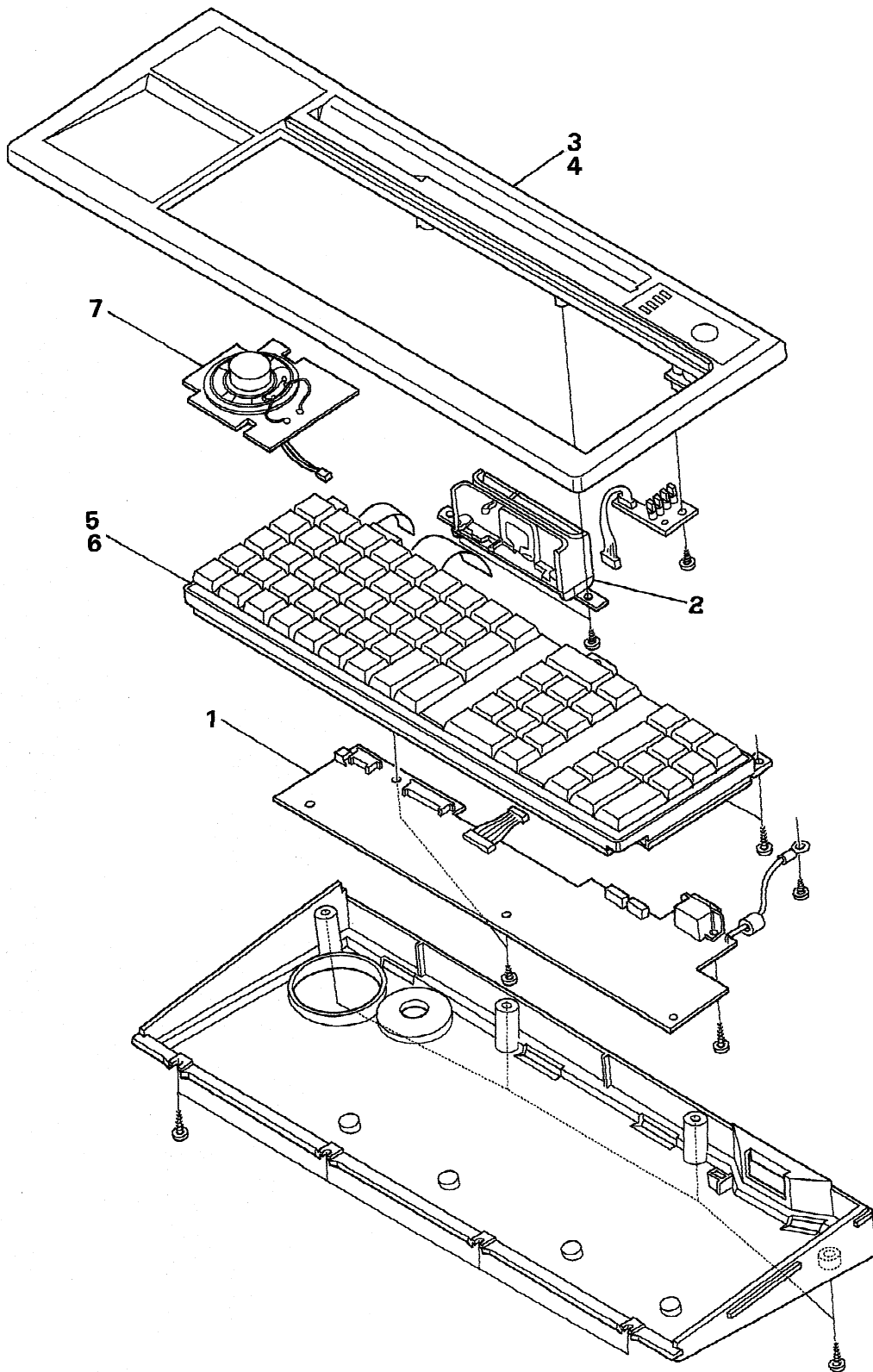


“Assembly 9: 4685-K01 Keyboard (Keyboard-VI)” on page 30



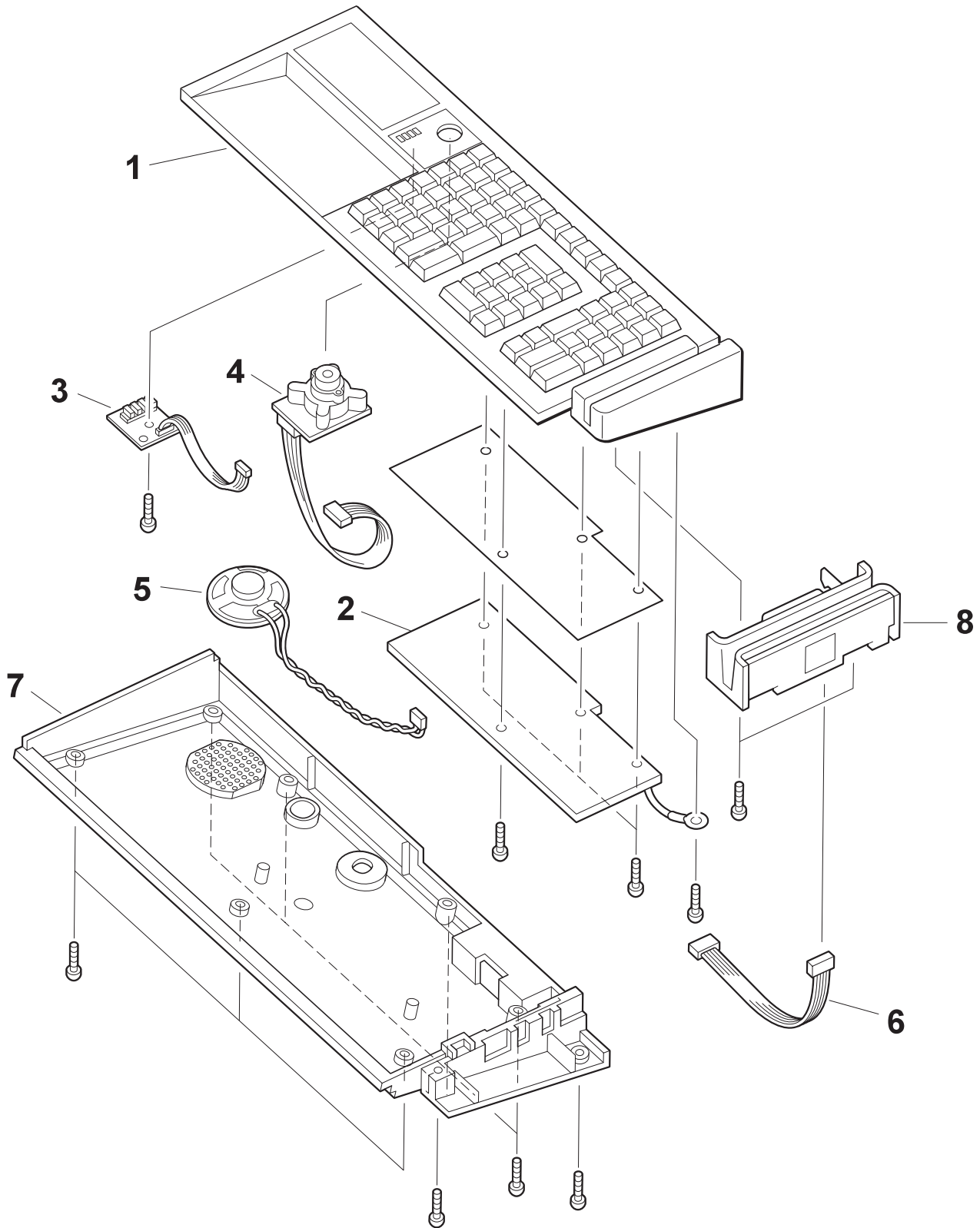
“Assembly 10: PC POS Keyboard” on page 32

Assembly 8: Keyboard V



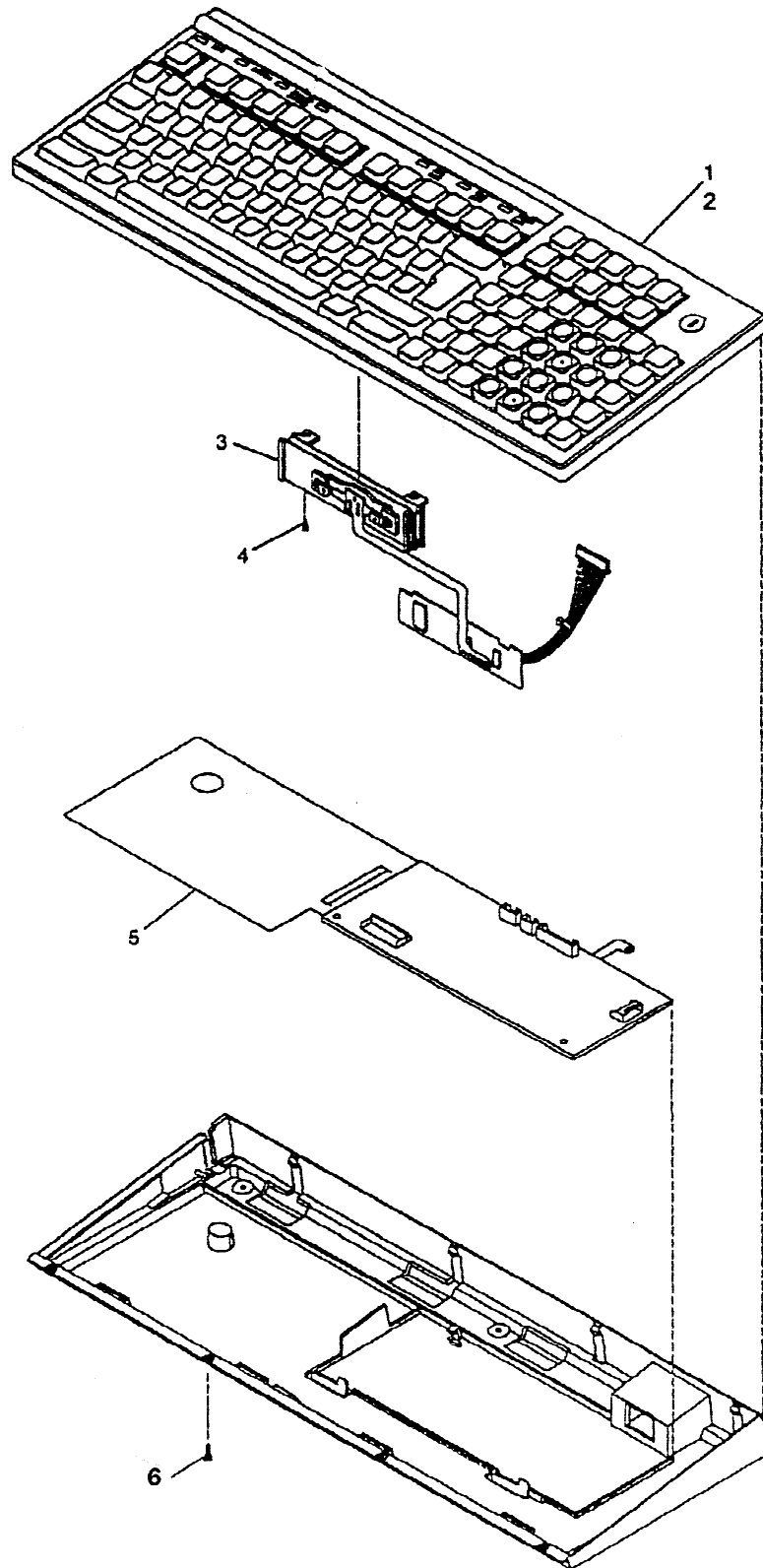
Asm- Index	Part Number	Units	Description
8-	95F3275	NR	Keyboard-V Unit, Japan
-	95F3276	NR	Keyboard-V Unit, Korea
-1	95F3185	1	Control Card
-2	95F3182	1	Magnetic Stripe Reader
-3	95F3184	1	Top Cover Asm, Japan
-4	95F3193	1	Top Cover Asm, Korea
-5	95F3180	1	KBD Matrix Unit
-6	48G9012	AR	Key Top 1X1 with Cap and Gum Dome (10 pieces)
-6	48G9013	AR	Key Top 1X2 with Cap and Gum Dome (10 pieces)
-6	48G9014	1	Ten Key Set
-6	48G9015	AR	Dummy Key Cover, 1X1 (10 pieces)
-6	48G9028	AR	Quadruple Key Top with Cap (10 pieces)
-6	48G9029	AR	Dummy Key Cover, 1X5 (5 pieces)
-7	95F3181	1	Speaker Asm
-	95F3229	NS	Mode Switch Key, Manager-1, Operator-2

Assembly 9: 4685-K01 Keyboard (Keyboard-VI)



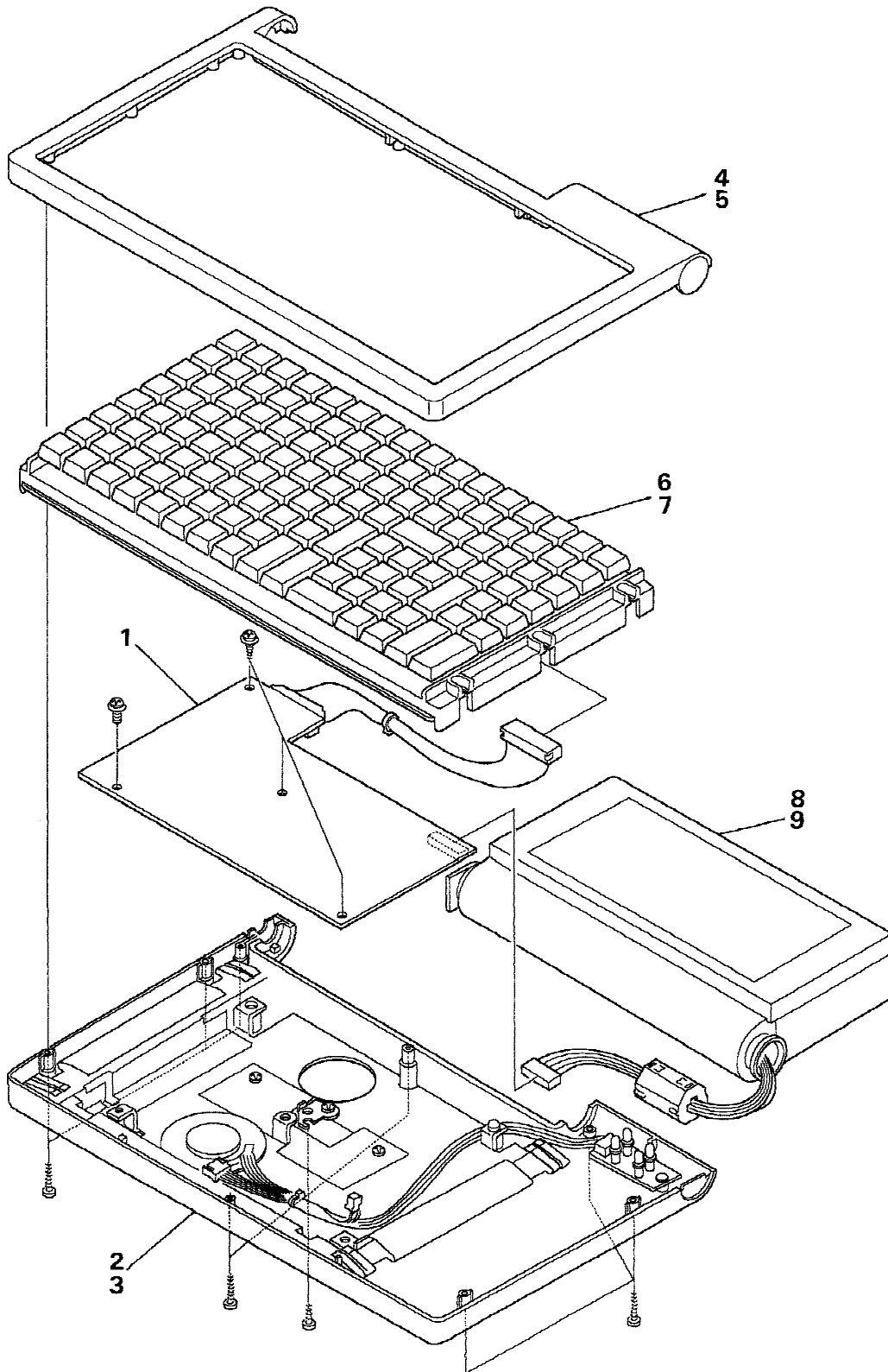
Asm- Index	Part Number	Units	Description
9-	85G3987	NR	POS Keyboard Unit, Keyboard-VI
-1	85G3992	1	Top Cover, Asm
-2	85G3962	1	Control Card Asm
-3	85G3964	1	Indicator Card Asm
-4	85G3965	1	Mode Key Switch Asm
-5	85G3985	1	Speaker Asm
-6	85G3984	1	MSR Cable
-7	85G3953	1	Bottom Cover Asm
-8	95F3182	1	Magnetic Stripe Reader (MSR)
-	48G9012	NS	Key Top 1X1 with Cap and Gum Dome (10 pieces)
-	48G9013	NS	Key Top 1X2 with Cap and Gum Dome (10 pieces)
-	48G9014	NS	Ten Key Set
-	48G9015	NS	Dummy Key Cover, 1X1 (10 pieces)
-	48G9028	NS	Quadruple Key Top with Cap (10 pieces)
-	48G9029	NS	Dummy Key Cover, 1X5 (5 pieces)
-	85G6424	NS	Mode Switch Key, Manager-2, Operator-2, Administrator-2

Assembly 10: PC POS Keyboard



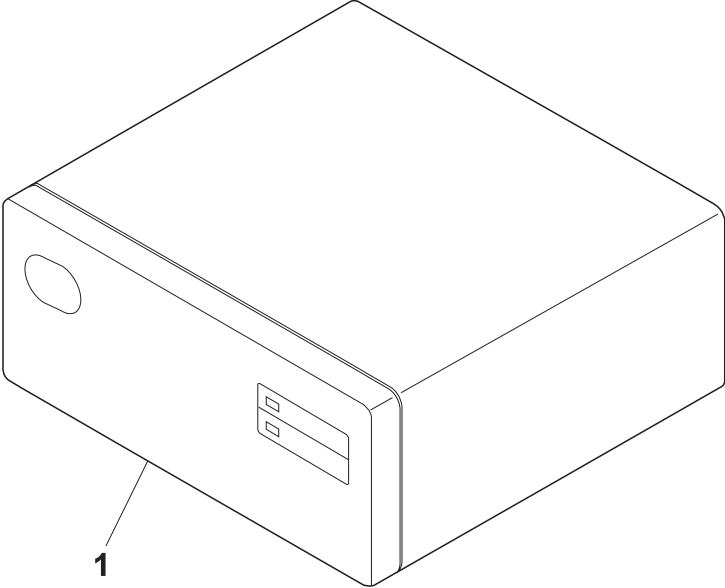
Asm- Index	Part Number	Units	Description
10-	93F1930	NR	Retail Alphanumeric POS Keyboard w/Card Reader 4693, Japan
-	93F1929	NR	Retail Alphanumeric POS Keyboard w/Card Reader 4693, Korea
-1	93F1778	1	Cover Asm, Top, Japan
-2	93F1777	1	Cover Asm, Top, Korea
-3	93F1766	1	Magnetic Strip Reader
-4	60G4142	AR	Screw (Order Kit #93F0254)
-5	93F1765	1	Card Asm, Keyboard Logic
-6	60G4142	AR	Screw
-7	09F3394	1	Test Card, MSR (Not Illustrated)
			<p>Accessory Parts: Key Cap Kits</p>
			<p>93F1950 Key Cap, Standard (25 pieces)</p>
			<p>93F1952 Key Cap, Tall-Single Wide (25 pieces)</p>

Assembly 11: PLU Keyboard/Display - III



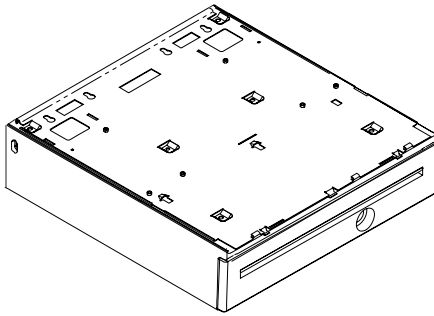
Asm-Index	Part Number	Units	Description
11-	95F3277	NR	PLU Keyboard/Display-III unit, Japan
-	95F3281	NR	PLU Keyboard/Display-III unit, Korea
-1	95F3189	1	Control Card
-2	95F3278	1	Bottom Cover Asm, Japan
-3	48G9027	1	Bottom Cover Asm, Korea
-4	95F3195	1	Top Cover Asm, Japan
-5	95F3196	1	Top Cover Asm, Korea
-6	95F3245	1	Matrix Unit
-7	48G9012	AR	Key Top 1X1 with Cap and Gum Dome (10 pieces)
-7	48G9013	AR	Key Top 1X2 with Cap and Gum Dome (10 pieces)
-7	48G9015	AR	Dummy Key Cover, 1X1 (10 pieces)
-7	48G9028	AR	Quadruple Key Top with Cap (10 pieces)
-7	48G9029	AR	Dummy Key Cover, 1X5 (5 pieces)
-7	48G9014	1	Ten Key Set
-8	95F3188	1	PLU Keyboard/Display Asm w/cover, Japan
-9	48G9021	1	PLU Keyboard/Display Asm w/cover, Korea
			Cable Asm.:
			48G9020, Character/Graphics Display, PLU-III S-I/O Cable (1.8m)
			95F3191, Character/Graphics Display, PLU-III S-I/O Cable (3.8m)

Assembly 12: PLU Extension Box

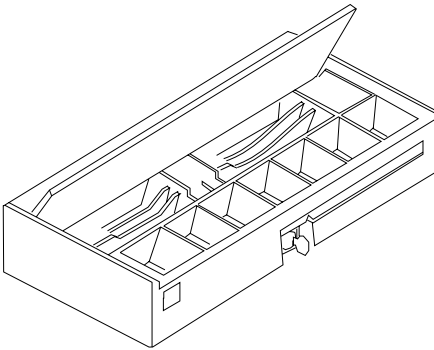


Asm- Index	Part Number	Units	Description
12-1 -1	95F3227 95F3228	1 1	PLU Extension Box, Japan PLU Extension Box, Korea Cable Asm: 95F3280, PLU Extension S-I/O cable, (3.8M) (POSS)

Cash Drawer Assemblies

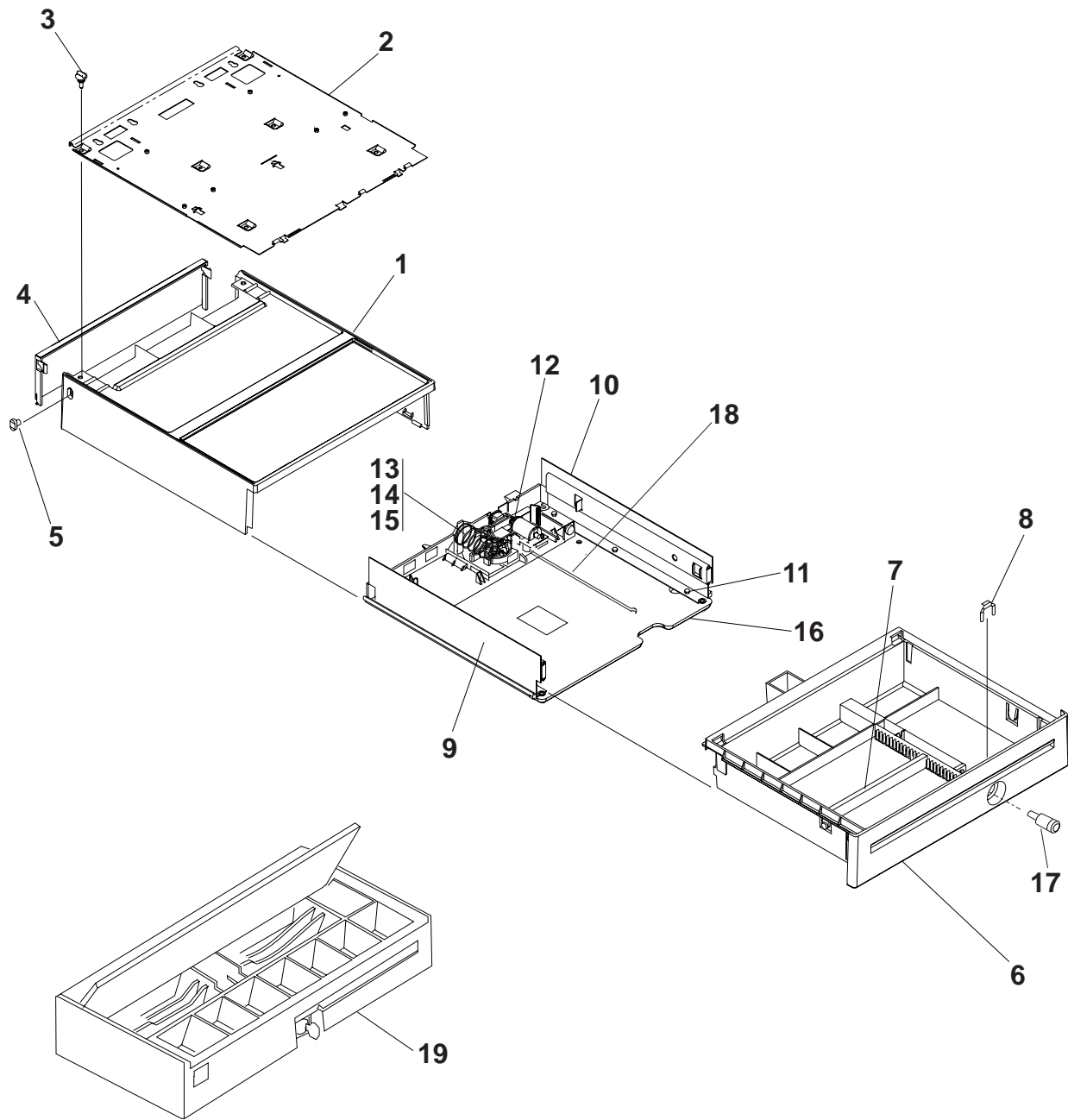


“Assembly 13: Cash Drawer Assembly” on page 40



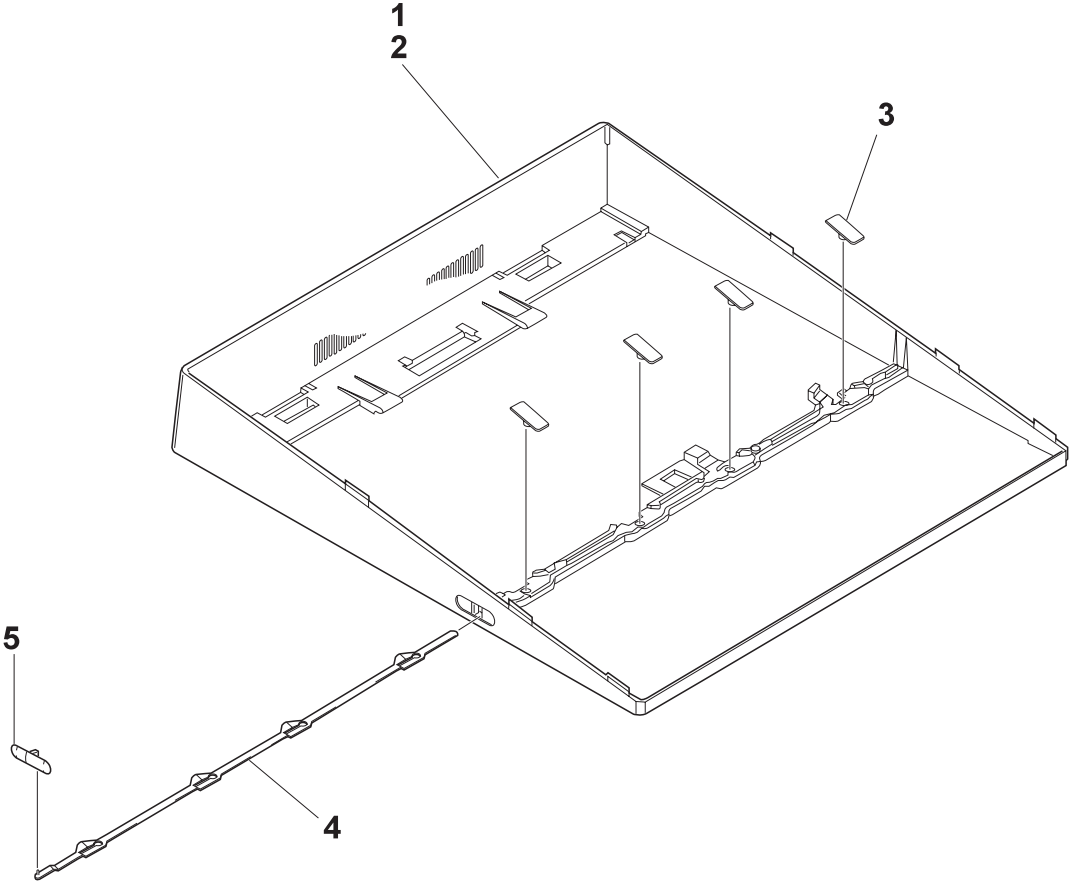
“Assembly 13: Cash Drawer Assembly” on page 40

Assembly 13: Cash Drawer Assembly



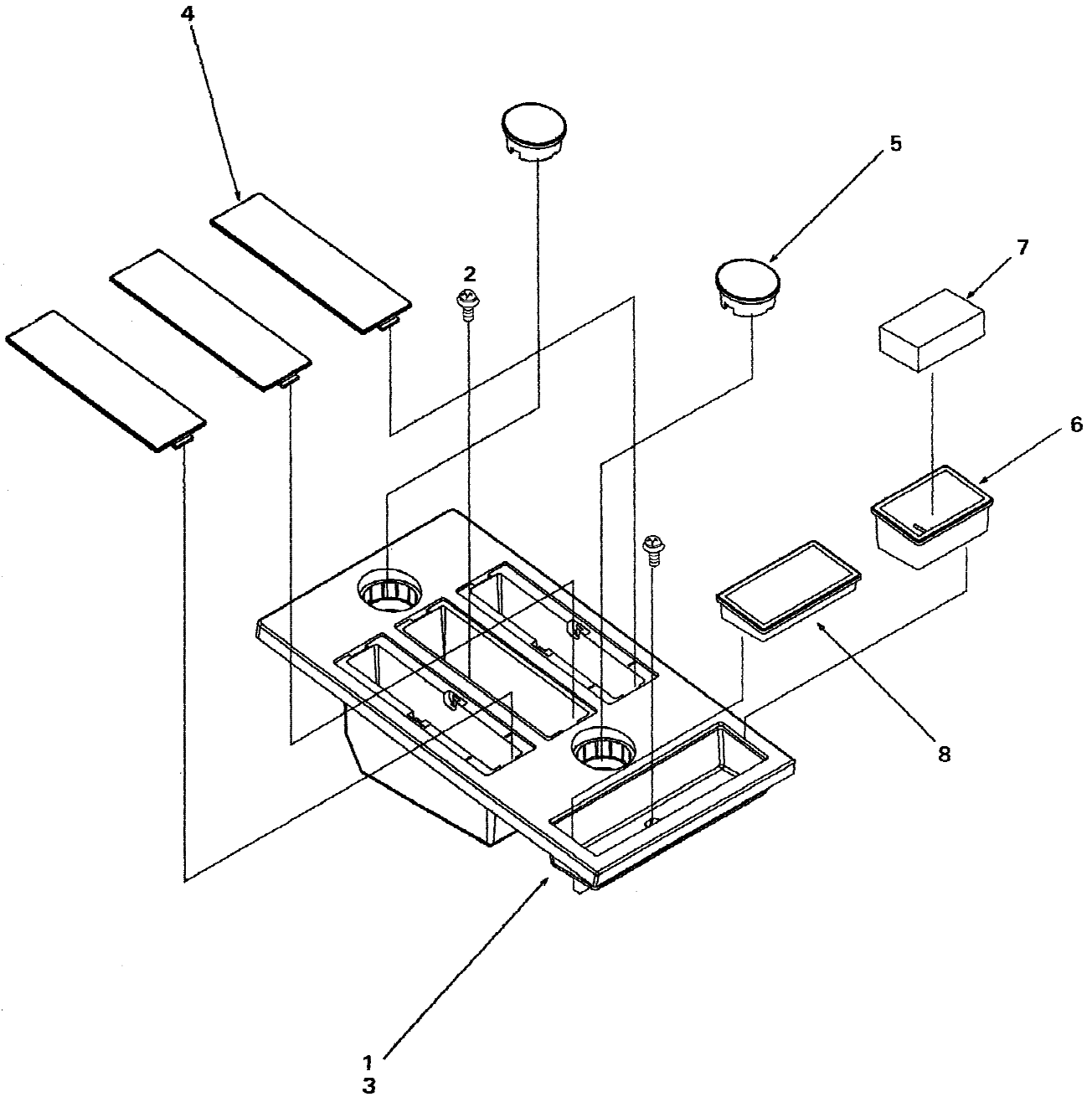
Asm- Index	Part Number	Units	Description
13-		NP	Cash Drawer Assembly
-1	93F1917	1	Cover, Top
-2	93F1780	1	Cash Drawer, Adapter Plate
-3	93F1779	2	Screw, Mounting, M5 (Thumbscrew)
-4	93F1901	1	Panel, Rear
-5	93F1902	2	Button
-6	93F1908	1	Drawer
-7	93F1897	1	Stop, Document
-8	42H3785	1	Lock, Clip
-9	93F1906	1	Slide, Left
-10	93F1907	1	Slide, Right
-11	1621594	6	Screw
-12	42H3783	1	Latch Asm
-13	93F1915	1	Propulsion Spring
-14	93F1916	1	Card Asm
-15	93F1913	1	Cam, Pawl and Spring Kit
-16	93F1904	1	Base
-17	93F1909	1	Lock, Cash Drawer with Lock only
-18	93F1905	1	Actuator, Cash Drawer with Lock only
-19	76X0200	NR	Cash Drawer Flip Top

Assembly 14: Integrated Slant Top Asm



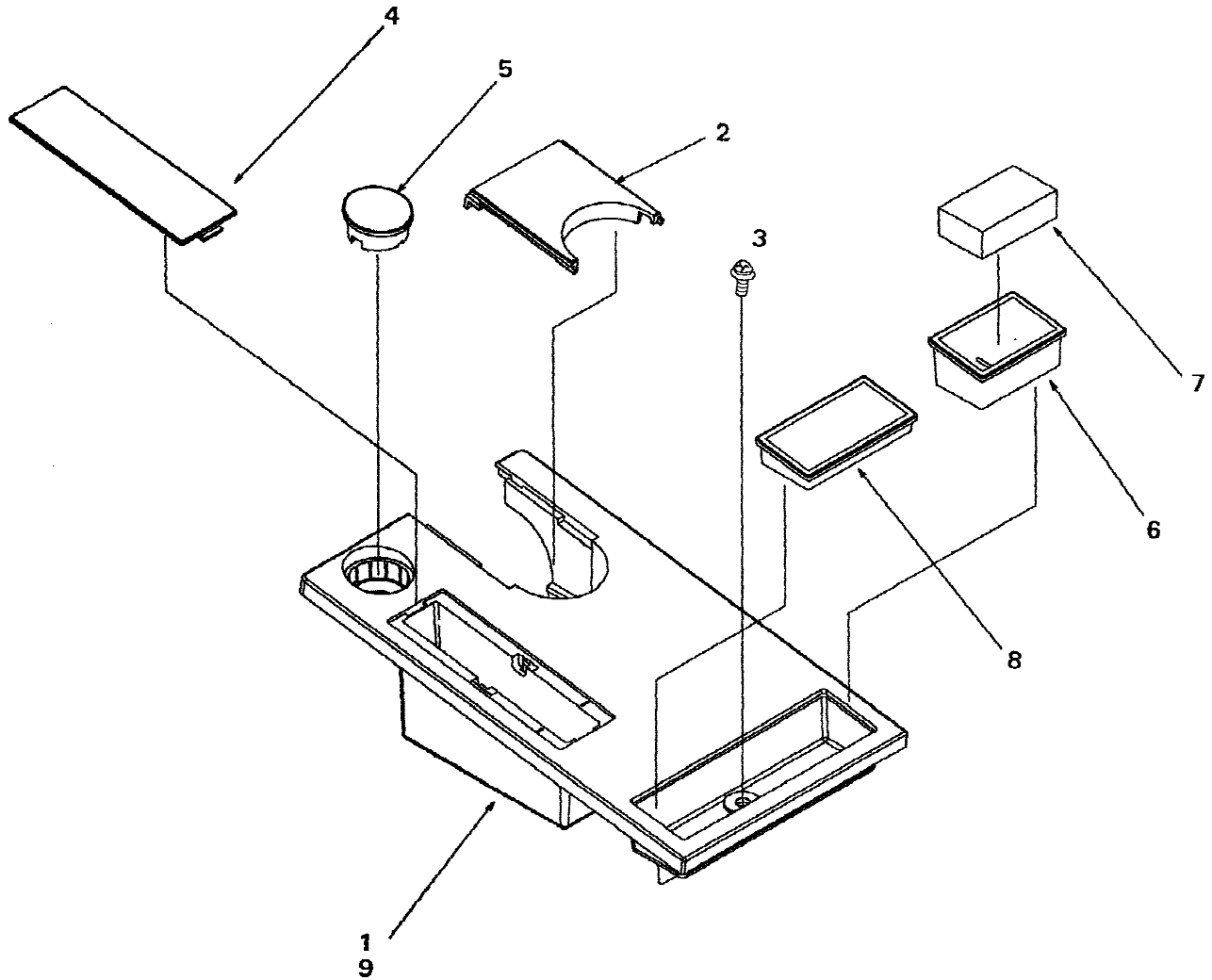
Asm- Index	Part Number	Units	Description
14-1	93F0701	1	Frame Asm, DBCS
-2	74F6375	NP	Frame, Molded, DBCS
-3	93F0708	NP	Latch
-4	93F0707	NP	Linkage Asm
-5	93F0709	NP	Button, Actuator, Molded

Assembly 15: Integrated Filler Panel Kit, Character/Graphics Display



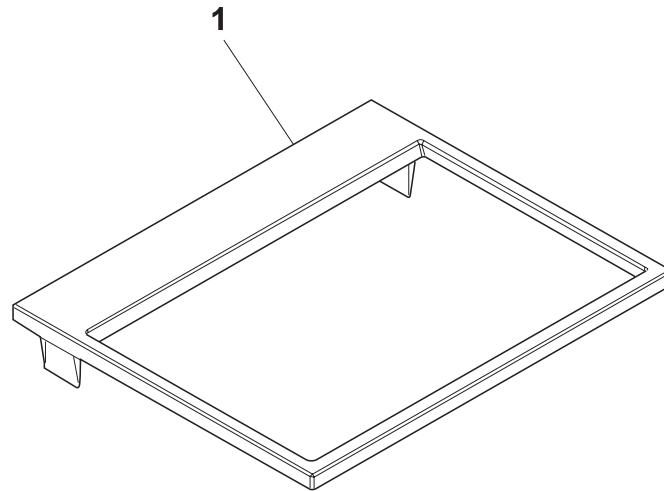
Asm- Index	Part Number	Units	Description
15-1	93F0720	R	Filler Panel-1 Asm
-2	48G9180	NP	Screw, M5
-3	93F0719	R	Filler Panel-1 molded
-4	93F0721	NP	Filler Plug 1, Blank
-5	93F0722	NP	Filler Plug 2, Blank
-6	93F0724	NP	Sponge Holder
-7	93F0726	NP	Sponge (Accessory parts)
-8	93F0725	NP	Side Holder

Assembly 16: Integrated Filler Panel Kits, Video Display

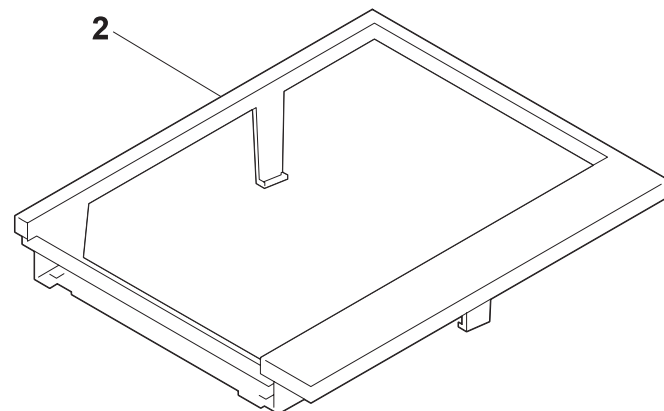


Asm- Index	Part Number	Units	Description
16-1	93F0723	R	Filler Panel-2 CRT Asm
-2	59G9099	NP	Filler Plug 1, CRT
-3	48G9181	NR	Screw, M5
-4	93F0721	NP	Filler Plug 1, Blank
-5	93F0722	NP	Filler Plug 2, Blank
-6	93F0724	NP	Sponge Holder
-7	93F0726	NP	Sponge (Accessory parts)
-8	93F0725	NP	Side Holder
-9	93F0729	R	Filler Panel-2 Molded

Assembly 17: Integrated Printer Filler Panel



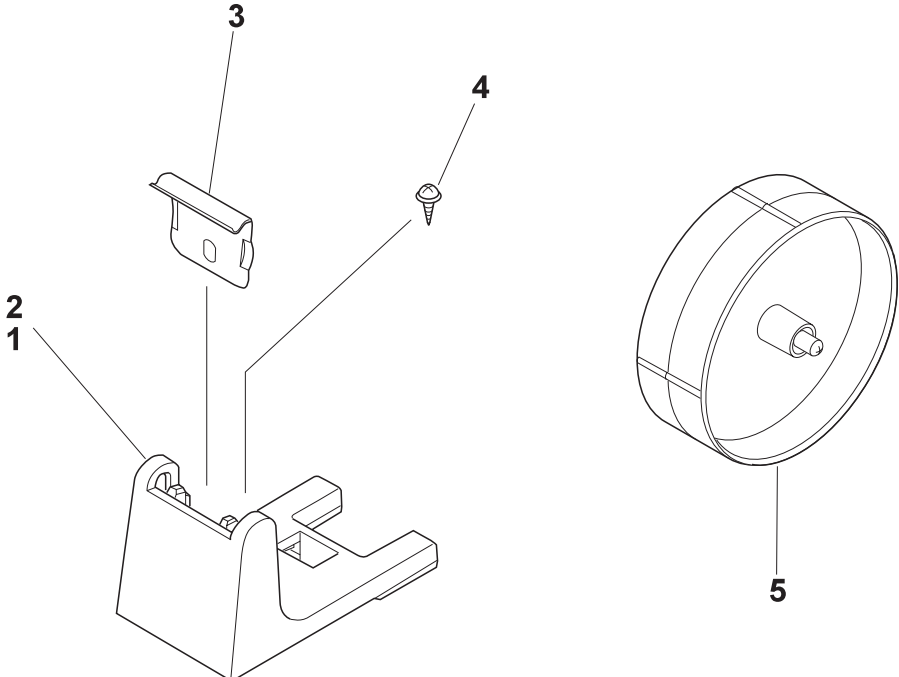
Filler Panel for 4689-701 Receipt/Journal Printer



Filler Panel for 4689-301 Receipt/Journal Printer

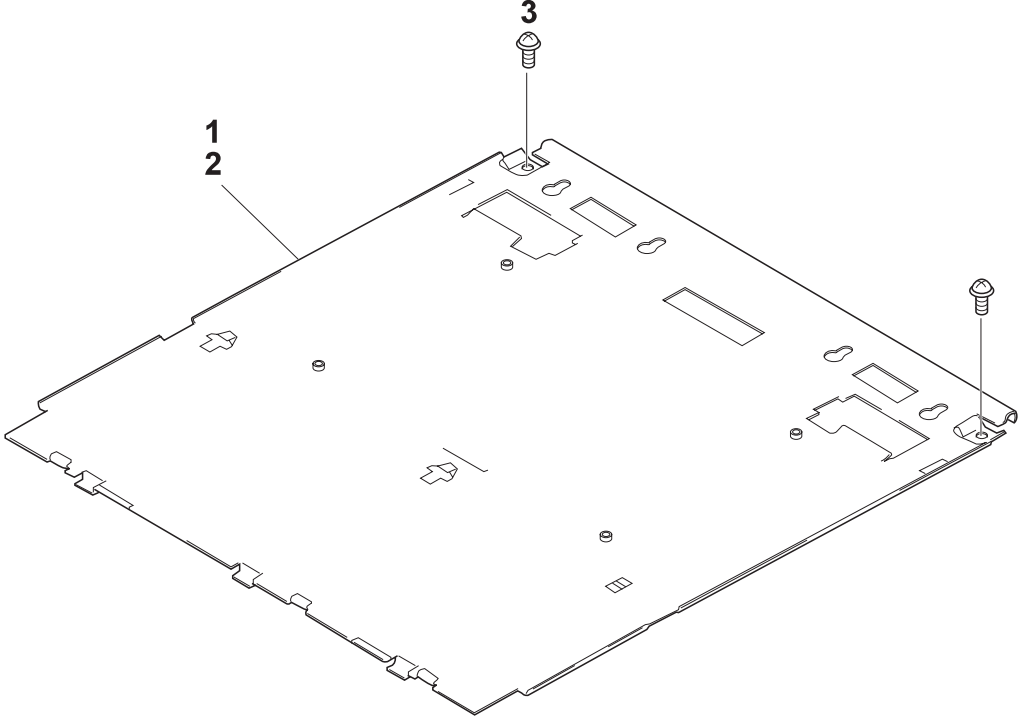
Asm- Index	Part Number	Units	Description
17- -1 -2	59G9143 84G2872	NP R R	Filler Panel-CRJ, Asm Filler Panel, 4689-701 R/J Printer Filler Panel, 4689-301 R/J Printer

Assembly 18: Integrated Tape Holder Kits



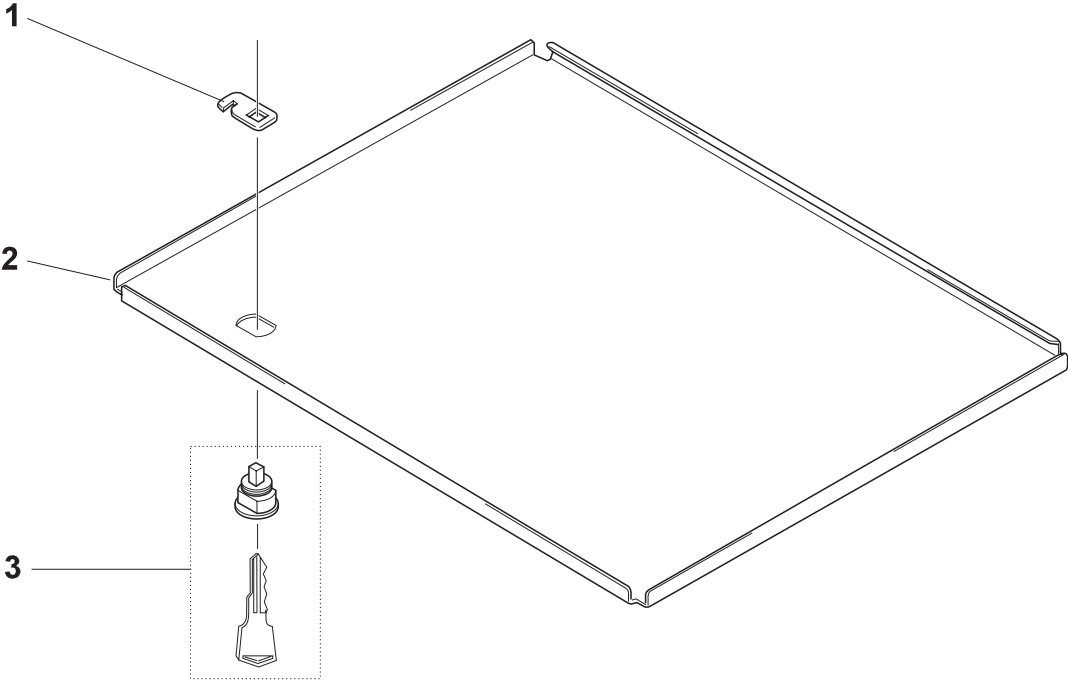
Asm- Index	Part Number	Units	Description
18-1	59G9136	NP	Tape Holder Asm
-2	59G9137	NP	Tape Holder Base
-3	59G9138	NP	Tape Holder Blade (Accessory parts)
-4	6237379	NP	Screw M2.5
-5	59G9139	NP	Tape Holder Wheel (Accessory parts)

Assembly 19: Cash Drawer Integrated I/O Adapter Plate Assemblies



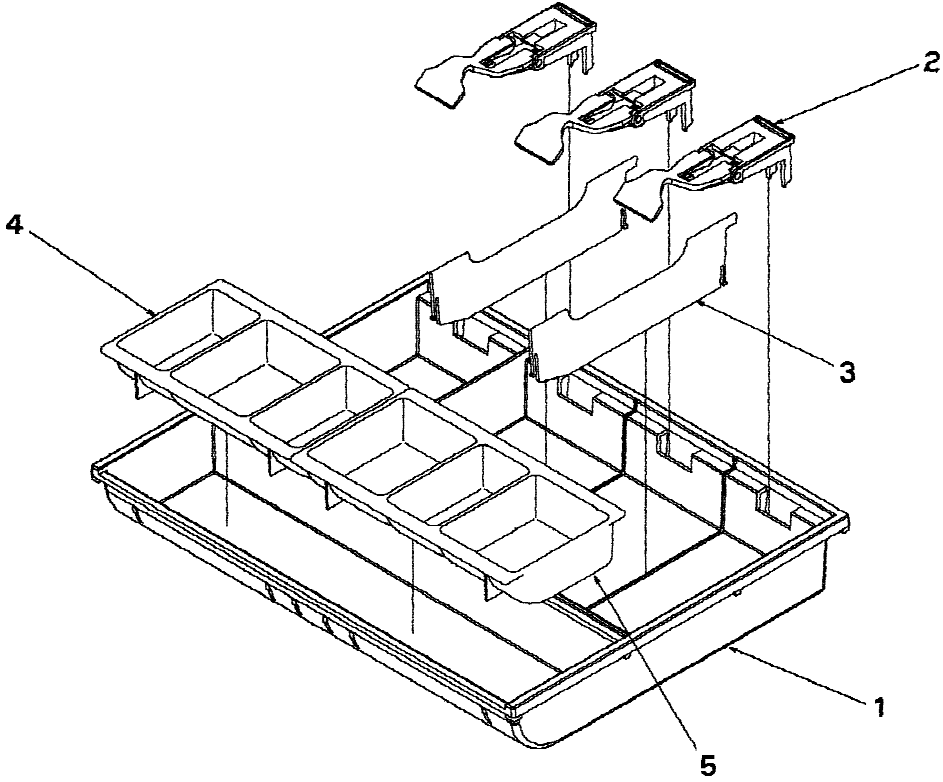
Asm- Index	Part Number	Units	Description
19-1	74F6249	R	Cash Drawer Adapter Plate Asm
-2	74F6248	NP	Cash Drawer Adapter Plate
-3	1621230	NP	Screw, M6 x 12, Slotted

Assembly 20: Till Cover Assemblies



Asm- Index	Part Number	Units	Description
20-	74F6440	R	Till Cover Asm
-1	74F6443	NP	Plate
-2	74F6441	NP	Till Cover
-3	74F6442	NP	Key Lock Asm

Assembly 21: Till Box Assemblies



Asm- Index	Part Number	Units	Description
21-	74F6430	R	Till Box Asm
-1	74F6431	NP	Till Box
-2	74F6432	3	Retainer Asm
-3	74F6435	NP	Plate
-4	74F6436	NP	Coin Till-1
-5	74F6437	NP	Coin Till-2

Assembly 22: Line Cord and Cable Assemblies

Asm-Index	Part Number	Units	Description
LINE CORD ASSEMBLIES			
22-1	34G0229	AR	Line Cord Asm, 2.8m Non-Locking, Japan (4693 only)
-2	34G0230	AR	Line Cord Asm, 4.3m Non-Locking, Japan
-3	94X2048	AR	Line Cord Asm, 4.3m Locking, Japan
-4	13F9977	AR	Line Cord Asm, 4.3m Non-Locking, Korea
-5	85G6261	AR	Line Cord Asm, 4.3m Locking, White, Japan
-5	34G0241	AR	Video Line Cord, 1.0m, Japan (4693 only)
-6	34G0243	AR	Video Line Cord, 4.3m, Japan (4693 only)
DBCS I/O DEVICES			
-7	25F6341	1	Cable Asm, PC POS keyboard, 0.715m
-8	25F6342	1	Cable Asm, PC POS keyboard, 3.8m
-9	59G9146	1	Cable Asm, Keyboard-V, 0.48m
-10	6457727	1	Cable Asm, Keyboard-V, 1.8m
-11	6316857	1	Cable Asm, Keyboard-V, 3.8m
-12	95F3280	1	Cable Asm, PLU-Extension (POSS), 3.8m
-13	95F3192	1	Cable Asm, Character Graphics/Display, 0.8m
-14	48G9020	1	Cable Asm, Character Graphics/Display, 1.8m
-15	95F3191	1	Cable Asm, Character Graphics/Display, 3.8m
-16	6316831	1	Cable Asm, Cash Drawer, 0.4m
-17	38F8813	1	Cable Asm, Cash Drawer, 1.4m
-18	6316832	1	Cable Asm, Cash Drawer, 3.8m
-19	96X5027	1	Cable Asm, Video Display, Signal, Distributed
-20	85G3927	AR	T-connector
SERIAL I/O CABLES			
-20	6316837	1	Cable Asm, SIO, 6m/20ft, SDL
-21	6316838	1	Cable Asm, SIO, 20m/66ft, SDL
-22	4783789	1	Cable Asm, SIO, 1pr, 4m/13ft
-23	93F0808	1	S-loop cable

Assembly 23: Option Adapter Cards

Asm- Index	Part Number	Units	Description
			Supported Adapter
23-1	25H4247		Adapter/A, Store Loop (Microchannel), 4693
-2	79F1487		Dual Store Loop Adapter/A (Microchannel), Japan only
-3	85G6414		Adapter/A, Flat Panel Display (Microchannel), except for N421
-4	26H7098		Adapter, Flat Panel Display (ISA)
-5	92G7923		Adapter/A, Flat Panel Display (Microchannel) with Flat Cable, N421 only
-6	85H8102		Adapter, 4694, Store Loop

Assembly 24: Locks, Tools, and Diskettes

Asm-Index	Part Number	Units	Description
			4693 and 4694
24-1	33G3352	NS	Lock, Style 9952
-1	33G3353	NS	Lock, Style 9953
-1	33G3354	NS	Lock, Style 9954
-1	33G3355	NS	Lock, Style 9955
-1	33G3356	NS	Lock, Style 9956
-1	33G3357	NS	Lock, Style 9957
-1	33G3358	NS	Lock, Style 9958
-1	33G3359	NS	Lock, Style 9959
-1	33G3360	NS	Lock, Style 9960
-1	33G3361	NS	Lock, Style 9961
-1	4783923	NS	Lock, Blank
-2	4783922	NS	Lock Installation and Removal Tool Kit
			4693
-3	48G9109	NS	Medialess Support Diskette (Japanese)
-4	48G9110	NS	Medialess Support Diskette (Korean)
-5	48G9141	NS	Model 551 Reference and Diagnostic Diskette Asm (Japanese)
-6	48G9142	NS	Model 551 Reference and Diagnostic Diskette Asm (Korean)

Part Number Index

Part Number	Asm-Index	Page	Part Number	Asm-Index	Page	Part Number	Asm-Index	Page	Part Number	Asm-Index	Page
09F3394	10-7	33	48G9015	continued		66G4207	5-1	21	85G3992	9-1	31
13F9977	22-4	58		11-7	35	66G4208	5-2	21	85G6261	22-5	58
13H8923	1-26	7	48G9018	4-17	19	66G4210	5-4	21	85G6302	6-	23
13H8924	1-26	7	48G9020	22-14	58		6-8	23	85G6304	6-	23
13H8925	1-26	7	48G9021	11-9	35	66G4211	5-5	21	85G6307	6-	23
13H8930	1-26	7	48G9027	11-3	35	66G4222	5-6	21	85G6308	6-1	23
1621176	1-22A	7	48G9028	8-6	29	66G4230	5-7	21	85G6309	6-6	23
1621230	19-3	53		9-	31	66G4237	5-8	21	85G6310	6-5	23
1621594	13-11	41		11-7	35		6-12	23	85G6311	6-10	23
25F6341	22-7	58	48G9029	8-6	29	66G4238	5-9	21	85G6319	5-3	21
25F6342	22-8	58		9-	31		6-13	23		6-9	23
25H4186	3-1	17		11-7	35	66G4242	7-10	25	85G6328	6-4	23
25H4247	23-1	59	48G9079	1-38	9	66G4243	7-11	25	85G6329	6-3	23
26H7098	23-4	59	48G9085	1-38	9	66G4244	7-12	25	85G6341	6-10	23
33G3352	24-1	60	48G9109	24-3	60	66G4245	7-13	25	85G6345	7-15	25
33G3353	24-1	60	48G9110	24-4	60	66G4246	7-14	25		7-15	25
33G3354	24-1	60	48G9141	24-5	60	66G4250	7-18	25	85G6347	6-1	23
33G3355	24-1	60	48G9142	24-6	60	66G4251	7-17	25	85G6348	6-6	23
33G3356	24-1	60	48G9180	7-21	25	66G4252	7-20	25	85G6349	6-7	23
33G3357	24-1	60		15-2	45	66G4253	7-16	25	85G6357	6-2	23
33G3358	24-1	60	48G9181	16-3	47	66G4255	7-22	25	85G6359	5-	21
33G3359	24-1	60	59G8678	2-31	13	66G4256	7-23	25		6-11	23
33G3360	24-1	60	59G8686	2-17	13	66G4257	7-24	25	85G6407	6-5	23
33G3361	24-1	60	59G8687	2-35	13	66G4258	7-25	25	85G6410	5-	21
34G0229	22-1	58	59G8688	2-28	13	66G4266	7-	25		6-	23
34G0230	22-2	58	59G8711	2-19	13	66G4267	7-	25	85G6411	5-	21
34G0241	22-5	58	59G8713	2-14	13	72H5178	3-	17		6-	23
34G0243	22-6	58	59G8714	2-15	13	72H5179	3-	17		6-14	23
38F8813	22-17	58	59G8730	2-18	13	74F6248	19-2	53	85G6414	23-3	59
38H5899	2-30	13	59G8819	2-29	13	74F6249	19-1	53	85G6424	9-	31
42H1860	1-26	7	59G9099	16-2	47	74F6375	14-2	43	85H4958	2-38	13
42H1861	1-26	7	59G9136	18-1	51	74F6430	21-	57	85H4959	2-16	13
42H3783	13-12	41	59G9137	18-2	51	74F6431	21-1	57	85H4960	2-39	13
42H3785	13-8	41	59G9138	18-3	51	74F6432	21-2	57	85H4970	2-38	13
4761085	7-26	25	59G9139	18-5	51	74F6435	21-3	57	85H4973	2-40	13
4783789	22-22	58	59G9143	17-1	49	74F6436	21-4	57	85H4974	2-30	13
4783922	24-2	60	59G9146	22-9	58	74F6437	21-5	57	85H4975	2-12	13
4783923	24-1	60	60G1317	1-19B	7	74F6440	20-	55	85H4995	2-6	11
48G9003	4-13	19	60G1318	1-19C	7	74F6441	20-2	55	85H5004	2-16	13
48G9004	4-15	19	60G1375	3-8	17	74F6442	20-3	55	85H8102	23-6	59
48G9006	4-14	19	60G4142	10-4	33	74F6443	20-1	55	85H8526	2-23	13
48G9007	4-16	19		10-6	33	76X0200	13-19	41	85X7418	3-1	17
48G9012	8-6	29	60G4144	3-5	17	78X8993	1-36	7	92G7831	3-	17
	9-	31	61X8794	1-17	5	79F1487	23-2	59	92G7832	3-	17
	11-7	35		1-27	7	84G2872	17-2	49	92G7923	23-5	59
48G9013	8-6	29	6237379	18-4	51	85G3927	22-20	58	92G9437	2-25	13
	9-	31	6316831	22-16	58	85G3953	9-7	31	92G9438	2-27	13
	11-7	35	6316832	22-18	58	85G3962	9-2	31	92G9454	2-37	13
48G9014	8-6	29	6316837	22-20	58	85G3964	9-3	31	92G9455	2-37	13
	9-	31	6316838	22-21	58	85G3965	9-4	31	92G9470	2-37	13
	11-7	35	6316857	22-11	58	85G3984	9-6	31	92G9475	2-	13
48G9015	8-6	29	6457727	22-10	58	85G3985	9-5	31	92G9495	2-12	13
	9-	31	66G4206	5-	21	85G3987	9-	31	92G9500	2-23	13

Part Number	Asm-Index	Page	Part Number	Asm-Index	Page	Part Number	Asm-Index	Page
93F0658	1-20A	7	93F1841	1-13	5	95F3182	8-2	29
93F0663	1-39	9	93F1842	1-12	5		9-8	31
93F0701	14-1	43	93F1843	1-4	3	95F3184	8-3	29
93F0707	14-4	43	93F1844	1-10	3	95F3185	8-1	29
93F0708	14-3	43	93F1845	1-10	3	95F3188	11-8	35
93F0709	14-5	43	93F1846	1-10	3	95F3189	11-1	35
93F0719	15-3	45	93F1847	1-6	3	95F3190	4-18	19
93F0720	15-1	45	93F1848	1-22	7	95F3191	22-15	58
93F0721	15-4	45	93F1849	1-32	7	95F3192	22-13	58
	16-4	47	93F1850	1-28	7	95F3193	8-4	29
93F0722	15-5	45	93F1851	1-13	5	95F3195	11-4	35
	16-5	47		2-5	11	95F3196	11-5	35
93F0723	16-1	47	93F1852	1-12	5	95F3227	12-1	37
93F0724	15-6	45		2-3	11	95F3228	12-1	37
	16-6	47	93F1853	1-20	7	95F3229	8-	29
93F0725	15-8	45	93F1854	1-37	9	95F3245	11-6	35
	16-8	47	93F1855	1-7	3	95F3275	8-	29
93F0726	15-7	45	93F1857	1-34	7	95F3276	8-	29
	16-7	47	93F1858	1-33	7	95F3277	11-	35
93F0729	16-9	47	93F1860	1-1A	3	95F3278	11-2	35
93F0738	1-18	5		2-2A	11	95F3280	22-12	58
93F0808	22-23	58	93F1863	1-11	3	95F3281	11-	35
93F1135	1-11A	3	93F1865	1-24	7	96X5027	22-19	58
93F1765	10-5	33	93F1866	1-9	3			
93F1766	10-3	33	93F1871	1-19	7			
93F1777	10-2	33	93F1872	1-19	7			
93F1778	10-1	33	93F1875	1-1	3			
93F1779	13-3	41		2-2	11			
93F1780	13-2	41	93F1877	1-32	7			
93F1785	1-19A	7	93F1879	1-24	7			
93F1789	3-4	17	93F1880	1-4	3			
93F1790	1-29	7	93F1881	1-35	7			
93F1791	1-29	7	93F1887	1-6	3			
93F1793	1-16	5	93F1891	1-25	7			
93F1794	3-2	17	93F1895	1-20	7			
93F1796	3-6	17	93F1896	1-2	3			
93F1797	3-3	17	93F1897	13-7	41			
93F1802	1-26	7	93F1899	1-2	3			
93F1803	1-26	7		2-1	11			
93F1804	1-26	7	93F1901	13-4	41			
93F1810	1-26	7	93F1902	1-14	5			
93F1818	1-3	3		13-5	41			
	2-1	11	93F1904	13-16	41			
93F1819	1-31	7	93F1905	13-18	41			
93F1821	1-16	5	93F1906	13-9	41			
93F1822	1-16	5	93F1907	13-10	41			
93F1823	1-16	5	93F1908	13-6	41			
93F1825	1-25	7	93F1909	13-17	41			
93F1826	1-8	3	93F1913	13-15	41			
93F1830	1-28	7	93F1915	13-13	41			
93F1831	1-21	7	93F1916	13-14	41			
93F1832	3-7	17	93F1917	13-1	41			
93F1833	1-30	7	93F1929	10-	33			
93F1834	1-23	7	93F1930	10-	33			
93F1835	1-23	7	94X2048	22-3	58			
93F1836	1-5	3	95F3180	8-5	29			
93F1840	1-28	7	95F3181	8-7	29			



Printed in Japan

G135-4 29- 1



Free Manuals Download Website

<http://myh66.com>

<http://usermanuals.us>

<http://www.somanuals.com>

<http://www.4manuals.cc>

<http://www.manual-lib.com>

<http://www.404manual.com>

<http://www.luxmanual.com>

<http://aubethermostatmanual.com>

Golf course search by state

<http://golfingnear.com>

Email search by domain

<http://emailbydomain.com>

Auto manuals search

<http://auto.somanuals.com>

TV manuals search

<http://tv.somanuals.com>