

User Guide

Types 8128, 8185, 8186, 8187, 8188

Types 8189, 8190, 8192, 8193, 8194

Types 8195, 8196, 8197, 8413, 8414

Types 8415, 8430, 8431, 8432, 8433

User Guide

Types 8128, 8185, 8186, 8187, 8188

Types 8189, 8190, 8192, 8193, 8194

Types 8195, 8196, 8197, 8413, 8414

Types 8415, 8430, 8431, 8432, 8433

Note

Before using this information and the product it supports, be sure to read the "Important safety information" on page v and Appendix E, "Notices," on page 117.

Fourth Edition (August 2004)

© Copyright International Business Machines Corporation 2004. All rights reserved.

US Government Users Restricted Rights – Use, duplication or disclosure restricted by GSA ADP Schedule Contract with IBM Corp.

Contents

Important safety information v

Conditions that require immediate action	v
General safety guidelines	vi
Service	vi
Power cords and power adapters	vi
Extension cords and related devices	vii
Plugs and outlets	vii
Batteries	vii
Heat and product ventilation	viii
CD and DVD drive safety	viii
Additional safety information	ix
Lithium battery notice	x
Modem safety information	x
Laser compliance statement	xi

Overview xiii

Information resources	xiii
Identifying your computer	xiv

Chapter 1. Types 8185, 8186, 8192, 8413, and 8430 1

Features	1
Specifications	4
Available options	5
Tools required	5
Handling static-sensitive devices	5
Installing external options	6
Locating the connectors on the front of your computer	6
Locating the connectors on the rear of your computer	7
Obtaining device drivers	8
Removing the cover	9
Locating components	10
Identifying parts on the system board	10
Installing memory	11
Installing adapters	12
Installing internal drives	14
Drive specifications	14
Installing a CD-ROM or DVD-ROM drive	15
Installing security features	17
Identifying security locks	17
Rope clip	18
Integrated cable lock	19
Password protection	19
Changing the battery	19
Erasing a lost or forgotten password (clearing CMOS)	20
Replacing the cover and connecting the cables	21

Chapter 2. Types 8128, 8187, 8188, 8193, 8414, and 8431 23

Features	23
Specifications	26

Available options	27
Tools required	27
Handling static-sensitive devices	27
Installing external options	28
Locating the connectors on the front of your computer	28
Locating the connectors on the rear of your computer	29
Obtaining device drivers	30
Removing the cover	31
Locating components	32
Identifying parts on the system board	32
Installing memory	33
Installing adapters	34
Installing internal drives	36
Drive specifications	36
Installing a drive	37
Installing security features	40
Identifying security locks	41
Rope clip	41
Integrated cable lock	43
Password protection	43
Changing the battery	43
Erasing a lost or forgotten password (clearing CMOS)	44
Replacing the cover and connecting the cables	45

Chapter 3. Types 8196 and 8197 47

Features	47
Specifications	50
Available options	51
Tools required	51
Handling static-sensitive devices	51
Installing external options	52
Locating the connectors on the front of your computer	53
Locating the connectors on the rear of your computer	54
Obtaining device drivers	55
Removing the cover	56
Locating components	57
Identifying parts on the system board	57
Installing memory	58
Installing adapters	60
Installing internal drives	61
Drive specifications	62
Installing a drive	62
Installing security features	65
Identifying security locks	66
Rope clip	66
Integrated cable lock	68
Password protection	68
Changing the battery	68
Erasing a lost or forgotten password (clearing CMOS)	69

Replacing the cover and connecting the cables. . . . 70

**Chapter 4. Types 8189, 8190, 8194,
8195, 8415, 8432, and 8433 73**

Features 73
Specifications 76
Available options 77
Tools required 77
Handling static-sensitive devices 77
Installing external options 78
 Locating the connectors on the front of your
 computer 79
 Locating the connectors on the rear of your
 computer 80
 Obtaining device drivers 81
Removing the cover 82
Locating components 83
Identifying parts on the system board 83
Installing memory 84
Installing adapters 85
Installing internal drives 87
 Drive specifications. 87
 Installing a drive 88
Installing security features 91
 Identifying security locks. 92
 Rope clip 92
 Integrated cable lock 94
 Password protection 94
Changing the battery 94
Erasing a lost or forgotten password (clearing
CMOS) 95
Replacing the cover and connecting the cables. . . . 96

**Chapter 5. Using the IBM Setup Utility
program 99**

Starting the IBM Setup Utility program 99
Viewing and changing settings 99
Exiting from the IBM Setup Utility program 99
Using passwords 99
 User password 100

Administrator password. 100
 Setting, changing, and deleting a password . . . 100
Using Security Profile by Device 100
Using IDE Drives Setup 101
Selecting a startup device 101
 Selecting a temporary startup device 101
 Changing the startup sequence 101
Advanced settings. 102

**Appendix A. Updating system
programs 103**

System programs 103
 Updating (flashing) BIOS from a diskette . . . 103
 Updating (flashing) BIOS from your operating
 system 103
Recovering from a POST/BIOS update failure . . . 104

Appendix B. Cleaning the mouse . . . 105

Cleaning an optical mouse 105
Cleaning a mouse with a ball 105

**Appendix C. Manual modem
commands 107**

Basic AT commands 107
Extended AT commands. 109
MNP/V.42/V.42bis/V.44 commands 110
Fax Class 1 commands 111
Fax Class 2 commands 111
Voice commands 112

**Appendix D. Customer replaceable
unit (CRU) parts list. 115**

Appendix E. Notices 117

Television output notice 118
Trademarks 118

Index 119

Important safety information

This information can help you safely use your IBM® personal computer. Follow and retain all information included with your IBM computer. The information in this document does not alter the terms of your purchase agreement or the IBM Statement of Limited Warranty.

Customer safety is important to IBM. Our products are developed to be safe and effective. However, personal computers are electronic devices. Power cords, power adapters, and other features can create potential safety risks that can result in physical injury or property damage, especially if misused. To reduce these risks, follow the instructions included with your product, observe all warnings on the product and in the operating instructions, and review the information included in this document carefully. By carefully following the information contained in this document and provided with your product, you can help protect yourself from hazards and create a safer computer work environment.

Note: This information includes references to power adapters and batteries. In addition to mobile personal computers, IBM ships some products (such as speakers or monitors) with external power adapters. If you have such a product, this information applies to your product. In addition, your computer product may contain a coin-sized internal battery that provides power to your system clock even when the machine is unplugged, so the battery safety information applies to all computers.

Conditions that require immediate action

Products can become damaged due to misuse or neglect. Some product damage is serious enough that the product should not be used again until it has been inspected and, if necessary, repaired by an authorized servicer.

As with any electronic device, pay close attention to the product when it is turned on. On very rare occasions, you might notice an odor or see a puff of smoke or sparks vent from your machine. Or you might hear sounds like popping, cracking or hissing. These conditions might merely mean that an internal electronic component has failed in a safe and controlled manner. Or, they might indicate a potential safety issue. However, do not take risks or attempt to diagnose the situation yourself.

Frequently inspect your computer and its components for damage or wear or signs of danger. If you have any question about the condition of a component, do not use the product. Contact the IBM HelpCenter® or the product manufacturer for instructions on how to inspect the product and have it repaired, if necessary.

In the unlikely event that you notice any of the conditions listed below, or if you have any safety concerns with your product, stop using the product and unplug it from the power source and telecommunication lines until you can speak to the IBM HelpCenter for further guidance.

- Power cords, plugs, power adapters, extension cords, surge protectors, or power supplies that are cracked, broken or damaged.
- Signs of overheating, smoke, sparks or fire.

- Damage to a battery (such as cracks, dents, creases), discharge from a battery, or a buildup of foreign substances on the battery.
- A cracking, hissing or popping sound, or strong odor that comes from the product.
- Signs that liquid has been spilled or an object has fallen onto the computer product, the power cord or power adapter.
- The computer product, the power cord or power adapter has been exposed to water.
- The product has been dropped or damaged in any way.
- The product does not operate normally when you follow the operating instructions.

Note: If you notice these conditions with a non-IBM product (such as an extension cord), stop using that product until you can contact the product manufacturer for further instructions, or until you get a suitable replacement.

General safety guidelines

Always observe the following precautions to reduce the risk of injury and property damage.

Service

Do not attempt to service a product yourself unless instructed to do so by the IBM HelpCenter. Use only an IBM authorized service provider who is approved to repair your particular product.

Note: Some parts can be upgraded or replaced by the customer. These parts are referred to as Customer Replaceable Units, or CRUs. IBM expressly identifies CRUs as such, and provides documentation with instructions when it is appropriate for customers to replace those parts. You must closely follow all instructions when performing such replacements. Always make sure that the power is turned off and that the product is unplugged from any power source before you attempt the replacement. If you have any questions or concerns, contact the IBM HelpCenter.

Power cords and power adapters

Use only the power cords and power adapters supplied by the product manufacturer.

Never wrap a power cord around the power adapter or other object. Doing so can stress the cord in ways that can cause the cord to fray, crack or crimp. This can present a safety hazard.

Always route power cords so that they will not be walked on, tripped over, or pinched by objects.

Protect the cord and power adapters from liquids. For instance, do not leave your cord or power adapter near sinks, tubs, toilets, or on floors that are cleaned with liquid cleansers. Liquids can cause a short circuit, particularly if the cord or power adapter has been stressed by misuse. Liquids can also cause gradual corrosion of the power cord terminals and/or the connector terminals on the adapter which can eventually result in overheating.

Always connect power cords and signal cables in the correct order and ensure that all power cord connectors are securely and completely plugged into receptacles.

Do not use any power adapter that shows corrosion at the ac input pins and/or shows signs of overheating (such as deformed plastic) at the ac input or anywhere on the power adapter.

Do not use any power cords where the electrical contacts on either end show signs of corrosion or overheating or where the power cord appears to have been damaged in any way.

Extension cords and related devices

Ensure that extension cords, surge protectors, uninterruptible power supplies, and power strips that you use are rated to handle the electrical requirements of the product. Never overload these devices. If power strips are used, the load should not exceed the power strip input rating. Consult an electrician for more information if you have questions about power loads, power requirements, and input ratings.

Plugs and outlets

If a receptacle (power outlet) that you intend to use with your computer equipment appears to be damaged or corroded, do not use the outlet until it is replaced by a qualified electrician.

Do not bend or modify the plug. If the plug is damaged, contact the manufacturer to obtain a replacement.

Some products are equipped with a three-pronged plug. This plug fits only into a grounded electrical outlet. This is a safety feature. Do not defeat this safety feature by trying to insert it into a non-grounded outlet. If you cannot insert the plug into the outlet, contact an electrician for an approved outlet adapter or to replace the outlet with one that enables this safety feature. Never overload an electrical outlet. The overall system load should not exceed 80 percent of the branch circuit rating. Consult an electrician for more information if you have questions about power loads and branch circuit ratings.

Be sure that the power outlet you are using is properly wired, easily accessible, and located close to the equipment. Do not fully extend power cords in a way that will stress the cords.

Connect and disconnect the equipment from the electrical outlet carefully

Batteries

All IBM personal computers contain a non-rechargeable coin cell battery to provide power to the system clock. In addition many mobile products such as Thinkpad notebook PCs utilize a rechargeable battery pack to provide system power when in portable mode. Batteries supplied by IBM for use with your product have been tested for compatibility and should only be replaced with IBM approved parts.

Never attempt to open or service any battery. Do not crush, puncture, or incinerate batteries or short circuit the metal contacts. Do not expose the battery to water or other liquids. Only recharge the battery pack strictly according to instructions included in the product documentation.

Battery abuse or mishandling can cause the battery to overheat, which can cause gasses or flame to “vent” from the battery pack or coin cell. If your battery is damaged, or if you notice any discharge from your battery or the buildup of

foreign materials on the battery leads, stop using the battery and obtain a replacement from the battery manufacturer.

Batteries can degrade when they are left unused for long periods of time. For some rechargeable batteries (particularly Lithium Ion batteries), leaving a battery unused in a discharged state could increase the risk of a battery short circuit, which could shorten the life of the battery and can also pose a safety hazard. Do not let rechargeable Lithium-Ion batteries completely discharge or store these batteries in a discharged state.

Heat and product ventilation

Computers generate heat when turned on and when batteries are charging. Notebook PCs can generate a significant amount of heat due to their compact size. Always follow these basic precautions:

- Do not leave the base of your computer in contact with your lap or any part of your body for an extended period when the computer is functioning or when the battery is charging. Your computer produces some heat during normal operation. Extended contact with the body could cause discomfort or, potentially, a skin burn.
- Do not operate your computer or charge the battery near flammable materials or in explosive environments.
- Ventilation slots, fans and/or heat sinks are provided with the product for safety, comfort, and reliable operation. These features might inadvertently become blocked by placing the product on a bed, sofa, carpet, or other flexible surface. Never block, cover or disable these features.

CD and DVD drive safety

CD and DVD drives spin discs at a high speed. If a CD or DVD is cracked or otherwise physically damaged, it is possible for the disc to break apart or even shatter when the CD drive is in use. To protect against possible injury due to this situation, and to reduce the risk of damage to your machine, do the following:

- Always store CD/DVD discs in their original packaging
- Always store CD/DVD discs out of direct sunlight and away from direct heat sources
- Remove CD/DVD discs from the computer when not in use
- Do not bend or flex CD/DVD discs, or force them into the computer or their packaging
- Check CD/DVD discs for cracks before each use. Do not use cracked or damaged discs

Additional safety information

DANGER

Electrical current from power, telephone, and communication cables is hazardous.

To avoid a shock hazard:

- Do not connect or disconnect any cables or perform installation, maintenance, or reconfiguration of this product during an electrical storm.
- Connect all power cords to a properly wired and grounded electrical outlet.
- Connect to properly wired outlets any equipment that will be attached to this product.
- When possible, use one hand only to connect or disconnect signal cables.
- Never turn on any equipment when there is evidence of fire, water, or structural damage.
- Disconnect the attached power cords, telecommunications systems, networks, and modems before you open the device covers, unless instructed otherwise in the installation and configuration procedures.
- Connect and disconnect cables as described in the following table when installing, moving, or opening covers on this product or attached devices.

To connect: <ol style="list-style-type: none">1. Turn everything OFF.2. First, attach all cables to devices.3. Attach signal cables to connectors.4. Attach power cords to outlet.5. Turn device ON.	To disconnect: <ol style="list-style-type: none">1. Turn everything OFF.2. First, remove power cords from outlet.3. Remove signal cables from connectors.4. Remove all cables from devices.
---	---

DANGER

Le courant électrique provenant de l'alimentation, du téléphone et des câbles de transmission peut présenter un danger.

Pour éviter tout risque de choc électrique :

- Ne manipulez aucun câble et n'effectuez aucune opération d'installation, d'entretien ou de reconfiguration de ce produit au cours d'un orage.
- Branchez tous les cordons d'alimentation sur un socle de prise de courant correctement câblé et mis à la terre.
- Branchez sur des socles de prise de courant correctement câblés tout équipement connecté à ce produit.
- Lorsque cela est possible, n'utilisez qu'une seule main pour connecter ou déconnecter les câbles d'interface.;
- Ne mettez jamais un équipement sous tension en cas d'incendie ou d'inondation, ou en présence de dommages matériels.
- Avant de retirer les carters de l'unité, mettez celle-ci hors tension et déconnectez ses cordons d'alimentation, ainsi que les câbles qui la relie aux réseaux, aux systèmes de télécommunication et aux modems (sauf instruction contraire mentionnée dans les procédures d'installation et de configuration).

- Lorsque vous installez, que vous déplacez, ou que vous manipulez le présent produit ou des périphériques qui lui sont raccordés, reportez-vous aux instructions ci-dessous pour connecter et déconnecter les différents cordons.

Connexion:	Déconnexion:
1. Mettez les unités hors tension.	1. Mettez les unités hors tension.
2. Commencez par brancher tous les cordons sur les unités.	2. Débranchez les cordons d'alimentation des prises.
3. Branchez les câbles d'interface sur des connecteurs.	3. Débranchez les câbles d'interface des connecteurs.
4. Branchez les cordons d'alimentation sur des prises.	4. Débranchez tous les câbles des unités.
5. Mettez les unités sous tension.	

Lithium battery notice

CAUTION:

Danger of explosion if battery is incorrectly replaced.

When replacing the battery, use only IBM Part Number 33F8354 or an equivalent type battery recommended by the manufacturer. The battery contains lithium and can explode if not properly used, handled, or disposed of.

Do not:

- Throw or immerse into water
- Heat to more than 100°C (212°F)
- Repair or disassemble

Dispose of the battery as required by local ordinances or regulations.

ATTENTION

Danger d'explosion en cas de remplacement incorrect de la batterie.

Remplacer uniquement par une batterie IBM de type ou d'un type équivalent recommandé par le fabricant. La batterie contient du lithium et peut exploser en cas de mauvaise utilisation, de mauvaise manipulation ou de mise au rebut inappropriée.

Ne pas :

- Lancer ou plonger dans l'eau
- Chauffer à plus de 100°C (212°F)
- Réparer ou désassembler

Mettre au rebut les batteries usagées conformément aux règlements locaux.

Modem safety information

To reduce the risk of fire, electrical shock, or injury when using telephone equipment, always follow basic safety precautions, such as:

- Never install telephone wiring during a lightning storm.
- Never install telephone jacks in wet locations unless the jack is specifically designed for wet locations.

- Never touch uninsulated telephone wires or terminals unless the telephone line has been disconnected at the network interface.
- Use caution when installing or modifying telephone lines.
- Avoid using a telephone (other than a cordless type) during an electrical storm. There may be a remote risk of electric shock from lightning.
- Do not use the telephone to report a gas leak in the vicinity of the leak.

Consignes de sécurité relatives au modem

Lors de l'utilisation de votre matériel téléphonique, il est important de respecter les consignes ci-après afin de réduire les risques d'incendie, d'électrocution et d'autres blessures :

- N'installez jamais de cordons téléphoniques durant un orage.
- Les prises téléphoniques ne doivent pas être installées dans des endroits humides, excepté si le modèle a été conçu à cet effet.
- Ne touchez jamais un cordon téléphonique ou un terminal non isolé avant que la ligne ait été déconnectée du réseau téléphonique.
- Soyez toujours prudent lorsque vous procédez à l'installation ou à la modification de lignes téléphoniques.
- Si vous devez téléphoner pendant un orage, pour éviter tout risque de choc électrique, utilisez toujours un téléphone sans fil.
- En cas de fuite de gaz, n'utilisez jamais un téléphone situé à proximité de la fuite.

Laser compliance statement

Some IBM Personal Computer models are equipped from the factory with a CD-ROM drive or a DVD-ROM drive. CD-ROM drives and DVD-ROM drives are also sold separately as options. CD-ROM drives and DVD-ROM drives are laser products. These drives are certified in the U.S. to conform to the requirements of the Department of Health and Human Services 21 Code of Federal Regulations (DHHS 21 CFR) Subchapter J for Class 1 laser products. Elsewhere, these drives are certified to conform to the requirements of the International Electrotechnical Commission (IEC) 825 and CENELEC EN 60 825 for Class 1 laser products.

When a CD-ROM drive or a DVD-ROM drive is installed, note the following handling instructions.

CAUTION:

Use of controls or adjustments or performance of procedures other than those specified herein might result in hazardous radiation exposure.

Removing the covers of the CD-ROM drive or DVD-ROM drive could result in exposure to hazardous laser radiation. There are no serviceable parts inside the CD-ROM drive or DVD-ROM drive. **Do not remove the drive covers.**

Some CD-ROM drives and DVD-ROM drives contain an embedded Class 3A or Class 3B laser diode. Note the following statement.

<p>DANGER</p>

<p>Laser radiation when open. Do not stare into the beam, do not view directly with optical instruments, and avoid direct exposure to the beam.</p>
--

DANGER:

Certains modèles d'ordinateurs personnels sont équipés d'origine d'une unité de CD-ROM ou de DVD-ROM. Mais ces unités sont également vendues séparément en tant qu'options. L'unité de CD-ROM/DVD-ROM est un appareil à laser. Aux États-Unis, l'unité de CD-ROM/DVD-ROM est certifiée conforme aux normes indiquées dans le sous-chapitre J du DHHS 21 CFR relatif aux produits à laser de classe 1. Dans les autres pays, elle est certifiée être un produit à laser de classe 1 conforme aux normes CEI 825 et CENELEC EN 60 825.

Lorsqu'une unité de CD-ROM/DVD-ROM est installée, tenez compte des remarques suivantes:

ATTENTION: Pour éviter tout risque d'exposition au rayon laser, respectez les consignes de réglage et d'utilisation des commandes, ainsi que les procédures décrites.

L'ouverture de l'unité de CD-ROM/DVD-ROM peut entraîner un risque d'exposition au rayon laser. Pour toute intervention, faites appel à du personnel qualifié.

Certaines unités de CD-ROM/DVD-ROM peuvent contenir une diode à laser de classe 3A ou 3B. Tenez compte de la consigne qui suit:

DANGER

Rayonnement laser lorsque le carter est ouvert. Évitez toute exposition directe des yeux au rayon laser. Évitez de regarder fixement le faisceau ou de l'observer à l'aide d'instruments optiques.

Overview

Thank you for selecting an IBM computer. Your computer incorporates many of the latest advances in computer technology and can be upgraded as your needs change.

This publication supports several computer models. Information in this section will help you identify your computer and help you find the chapter that contains information specific to your computer.

Adding hardware options to your computer is an easy way to increase its capabilities. Instructions for installing external and internal options are included in this publication. When adding an option, use these instructions along with the instructions that come along with the option.

Information resources

The *Quick Reference* that comes with your computer provides information for installing your computer and starting the operating system. It also includes basic troubleshooting information, software recovery procedures, help and service information, and warranty information.

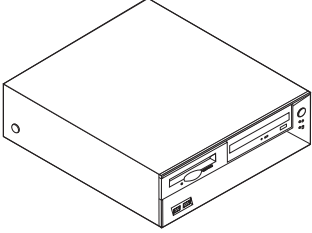
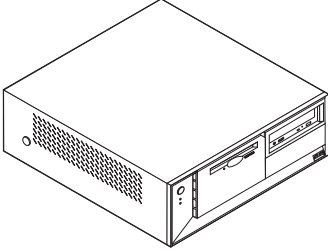
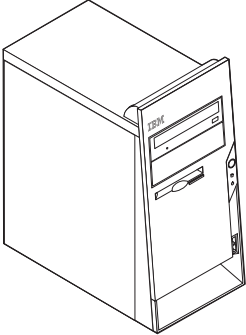
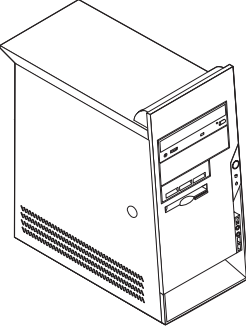
Access IBM, on your desktop, provides a link to more information about your computer.

If you have Internet access, the most up-to-date manuals for your computer are available from the World Wide Web. To access this information, point your browser to

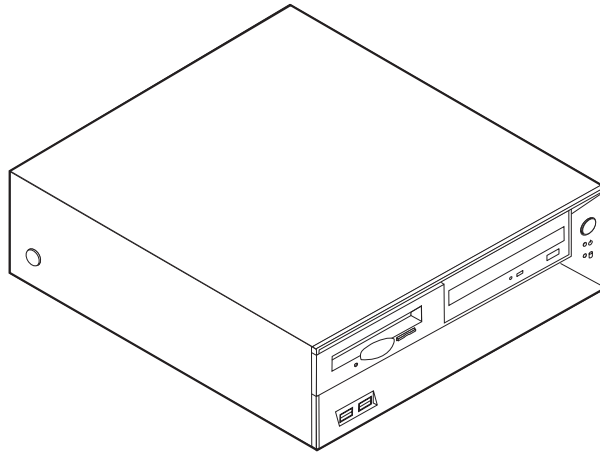
<http://www.ibm.com/pc/support>

Type your machine type and model number in the **Quick Path** field, and click **Go**.

Identifying your computer

	<p>See Chapter 1, “Types 8185, 8186, 8192, 8413, and 8430,” on page 1.</p>
	<p>See Chapter 2, “Types 8128, 8187, 8188, 8193, 8414, and 8431,” on page 23.</p>
	<p>See Chapter 3, “Types 8196 and 8197,” on page 47.</p>
	<p>See Chapter 4, “Types 8189, 8190, 8194, 8195, 8415, 8432, and 8433,” on page 73.</p>

Chapter 1. Types 8185, 8186, 8192, 8413, and 8430



This chapter provides an introduction to the features and options that are available for your computer. You can expand the capabilities of your computer by adding memory, adapters, or drives. When installing an option, use these instructions along with the instructions that come with the option.

Important

Before you install or remove any option, read “Important safety information” on page v. These precautions and guidelines will help you work safely.

Features

This section provides an overview of the computer features and preinstalled software.

System information

The following information covers a variety of models. For a listing of the features for your specific model, refer to the IBM Setup Utility program. See Chapter 5, “Using the IBM Setup Utility program,” on page 99.

Microprocessor (varies by model type)

- Intel® Pentium® 4 processor with HyperThreading
- Intel Pentium 4 processor
- Intel Celeron® processor
- Internal cache (size varies by model type)

Memory

- Support for four dual inline memory modules (DIMMs)
- 512 KB flash memory for system programs

Internal drives

- 3.5-inch, 1.44 MB diskette drive
- Internal hard disk drive
- EIDE CD-ROM drive or DVD-ROM drive (some models)

Video subsystem

- An integrated graphics controller for a Video Graphics Array (VGA) monitor
- Accelerated graphics port (AGP) video adapter slot on the system board

Audio subsystem

- AC'97 with ADI 1981B Audio Codec
- Line in, line out, and microphone connectors on the rear panel

Connectivity

- 10/100 Mbps integrated Intel Ethernet controller that supports the Wake on LAN[®] feature (some models)
- 10/100/1000 Mbps integrated Intel Ethernet controller that supports the Wake on LAN feature (some models)
- Soft modem V.90/V.44 (some models)

System management features

- Remote Program Load (RPL) and Dynamic Host Configuration Protocol (DHCP)
- Wake on LAN
- Wake on Ring (in the IBM Setup Utility program, this feature is called Serial Port Ring Detect for an external modem)
- Remote Administration
- Automatic power-on startup
- System Management (SM) BIOS and SM software
- Ability to store POST hardware test results

Input/output features

- 25-pin, Extended Capabilities Port (ECP)/Extended Parallel Port (EPP)
- 9-pin serial connector
- Eight 4-pin, USB connectors (two on front panel and six on rear panel)
- PS/2[®] mouse connector
- PS/2 keyboard connector
- Ethernet connector
- VGA monitor connector
- Three audio connectors (line in, line out, and microphone)
- Front connectors for microphone and headphone (some models)

Expansion

- Three drive bays
- Three 32-bit peripheral component interconnect (PCI) adapter slots (supports low-profile adapters only)
- One accelerated graphics port (AGP) expansion slot (supports low-profile adapters only)

Power

- 200 W power supply with manual voltage selection switch
- Automatic 50/60 Hz input frequency switching
- Advanced Power Management support
- Advanced Configuration and Power Interface (ACPI) support

Security features

- User and administrator passwords
- Support for the addition of a rope clip and lockable cable
- Support for the addition of an integrated cable lock
- Startup sequence control
- Startup without diskette drive, keyboard, or mouse
- Unattended start mode
- Diskette and hard disk I/O control
- Serial and parallel port I/O control
- Security profile by device

IBM preinstalled software

Your computer might come with preinstalled software. If it does, an operating system, device drivers to support built-in features, and other support programs are included.

Operating systems (preinstalled) (varies by model type)

Note: Not all countries or regions will have these operating systems.

- Microsoft® Windows XP Home
- Microsoft Windows XP Professional
- Microsoft Windows 2000

Operating systems (tested for compatibility)¹

- Microsoft Windows NT® Workstation Version 4.0
- Microsoft Windows 98 Second Edition

1. The operating systems listed here are being tested for compatibility at the time this publication goes to press. Additional operating systems might be identified by IBM as compatible with your computer following the publication of this booklet. Corrections and additions to this list are subject to change. To determine if an operating system has been tested for compatibility, check the Web site of the operating system vendor.

Specifications

This section lists the physical specifications for your computer.

<p>Dimensions</p> <p>Height: 104 mm (4.1 in.) Width: 360 mm (14.2 in.) Depth: 412 mm (16.2 in.)</p> <p>Weight</p> <p>Minimum configuration as shipped: 8.1 kg (18 lb) Maximum configuration: 9.1 kg (20 lb)</p> <p>Environment</p> <p>Air temperature: System on: 10° to 35°C (50° to 95° F) System off: 10° to 43°C (50° to 110° F) Maximum altitude: 2134 m (7000 ft) Note: The maximum altitude, 2134 m (7000 ft), is the maximum altitude at which the specified air temperatures apply. At higher altitudes, the maximum air temperatures are lower than those specified.</p> <p>Humidity: System on: 8% to 80% System off: 8% to 80%</p> <p>Electrical input</p> <p>Input voltage: Low range: Minimum: 100 V ac Maximum: 127 V ac Input frequency range: 50-60 Hz Voltage switch setting: 115 V ac High range: Minimum: 200 V ac Maximum: 240 V ac Input frequency range: 50-60 Hz Voltage switch setting: 230 V ac</p> <p>Input kilovolt-amperes (kVA) (approximate): Minimum configuration as shipped: 0.08 kVA Maximum configuration: 0.25 kVA</p> <p>Note: Power consumption and heat output vary depending on the number and type of optional features installed and the power-management optional features in use.</p>	<p>Heat output (approximate) in British thermal units (Btu) per hour: Minimum configuration: 257 Btu/hr (75 watts) Maximum configuration: 683 Btu/hr (200 watts)</p> <p>Airflow</p> <p>Approximately 0.45 cubic meters per minute (16 cubic feet per minute) maximum</p> <p>Acoustical noise-emission values</p> <p>For microprocessors less than 2.8 GHz:</p> <p>Average sound-pressure levels: At operator position: Idle: 28 dBA Operating: 30 dBA At bystander position - 1 meter (3.3 ft): Idle: 27 dBA Operating: 29 dBA Declared (upper limit) sound-power levels: Idle: 4.2 bels Operating: 4.3 bels</p> <p>For microprocessors greater than or equal to 2.8 GHz:</p> <p>Average sound-pressure levels: At operator position: Idle: 29 dBA Operating: 31 dBA At bystander position - 1 meter (3.3 ft): Idle: 28 dBA Operating: 29 dBA Declared (upper limit) sound-power levels: Idle: 4.3 bels Operating: 4.4 bels</p> <p>Note: These levels were measured in controlled acoustical environments according to the procedures specified by the American National Standards Institute (ANSI) S12.10 and ISO 7779 and are reported in accordance with ISO 9296. Actual sound-pressure levels in a given location might exceed the average values stated because of room reflections and other nearby noise sources. The declared sound-power levels indicate an upper limit, below which a large number of computers will operate.</p>
--	--

Available options

The following are some available options:

- External options
 - Parallel port devices, such as printers and external drives
 - Serial port devices, such as external modems and digital cameras
 - Audio devices, such as external speakers for the sound system
 - USB devices, such as printers, joysticks, and scanners
 - Security device, such as a rope clip
 - Monitors
- Internal options
 - System memory, called dual inline memory modules (DIMMs)
 - Peripheral component interconnect (PCI) adapters (supports low-profile adapters only)
 - Accelerated graphics port (AGP) adapters (supports low-profile adapters only)
 - Internal drives, such as:
 - CD-ROM drive and DVD-ROM drive (some models)
 - Hard disk drive
 - Diskette drives and other removable media drives

For the latest information about available options, see the following World Wide Web pages:

- <http://www.ibm.com/pc/us/options/>
- <http://www.ibm.com/pc/support/>

You can also obtain information by calling the following telephone numbers:

- Within the United States, call 1-800-IBM-2YOU (1-800-426-2968), your IBM reseller, or IBM marketing representative.
- Within Canada, call 1-800-565-3344 or 1-800-IBM-4YOU.
- Outside the United States and Canada, contact your IBM reseller or IBM marketing representative.

Tools required

To install some options in your computer, you might need a flat-blade or Phillips screwdriver. Additional tools might be needed for certain options. See the instructions that come with the option.

Handling static-sensitive devices

Static electricity, although harmless to you, can seriously damage computer components and options.

When you add an option, do *not* open the static-protective package containing the option until you are instructed to do so.

When you handle options and other computer components, take these precautions to avoid static electricity damage:

- Limit your movement. Movement can cause static electricity to build up around you.

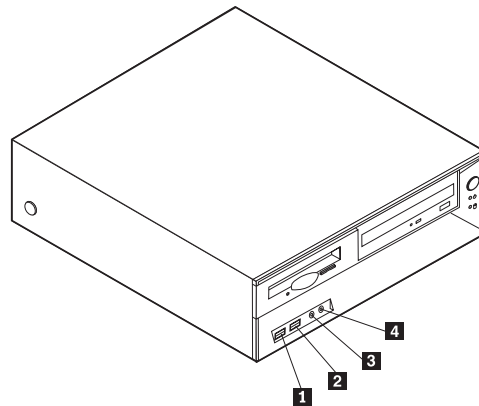
- Always handle components carefully. Handle adapters and memory modules by the edges. Never touch any exposed circuitry.
- Prevent others from touching components.
- When you install a new option, touch the static-protective package containing the option to a metal expansion-slot cover or other unpainted metal surface on the computer for at least two seconds. This reduces static electricity in the package and your body.
- When possible, remove the option and install it directly in the computer without setting the option down. When this is not possible, place the static-protective package that the option came in on a smooth, level surface and place the option on it.
- Do not place the option on the computer cover or other metal surface.

Installing external options

This section shows the various external connectors on your computer to which you can attach external options, such as external speakers, a printer, or a scanner. For some external options, you must install additional software in addition to making the physical connection. When adding an external option, use the information in this section to identify the required connector, and then use the instructions that come with the option to help you make the connection and install any software or device drivers that are required for the option.

Locating the connectors on the front of your computer

The following illustration shows the locations of the connectors on the front of the computer.

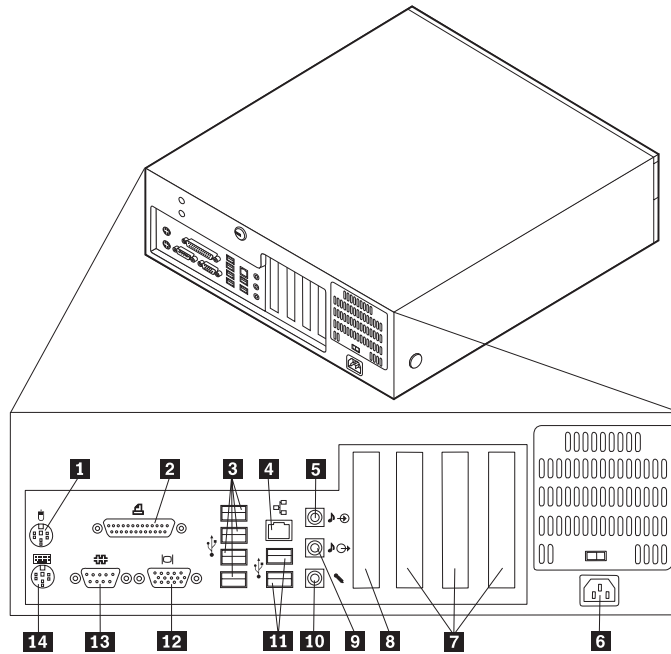


- 1** USB connector
- 2** USB connector

- 3** Microphone connector (some models)
- 4** Headphone connector (some models)

Locating the connectors on the rear of your computer

The following illustration shows the locations of the connectors on the rear of the computer.



- | | |
|----------------------------------|-----------------------------------|
| 1 Mouse connector | 8 AGP slot |
| 2 Parallel connector | 9 Audio line out connector |
| 3 USB connectors | 10 Microphone connector |
| 4 Ethernet connector | 11 USB connectors |
| 5 Audio line in connector | 12 VGA monitor connector |
| 6 Power connector | 13 Serial connector |
| 7 PCI slots | 14 Keyboard connector |

Note: Some connectors on the rear of the computer are color-coded to help you to determine where to connect the cables on your computer.

Connector	Description
Mouse connector	Used to attach a mouse, trackball, or other pointing device that uses a standard mouse connector.
Parallel connector	Used to attach a parallel printer, parallel scanner, or other devices that use a 25-pin parallel connector.
USB connectors	Used to attach a device that requires a Universal Serial Bus (USB) connection, such as a USB scanner or USB printer. If you have more than eight USB devices, you can purchase a USB hub, which you can use to connect additional USB devices.
Ethernet connector	Used to attach an Ethernet cable for a local area network (LAN). Note: To operate the computer within FCC Class B limits, use a Category 5 Ethernet cable.
Audio line in connector	Used to receive audio signals from an external audio device, such as a stereo system. When you attach an external audio device, a cable is connected between the audio line out connector of the device and the audio line in connector of the computer.
Audio line out connector	Used to send audio signals from the computer to external devices, such as powered stereo speakers (speakers with built-in amplifiers), headphones, multimedia keyboards, or the audio line in connector on a stereo system or other external recording device.
Microphone connector	Used to attach a microphone to your computer when you want to record voice or other sounds on the hard disk if you use speech-recognition software.
Serial connector	Used to attach an external modem, serial printer, or other devices that use a 9-pin serial connector.
Keyboard connector	Used to attach a keyboard that uses a standard keyboard connector.

Obtaining device drivers

You can obtain device drivers for operating systems that are not preinstalled at <http://www.ibm.com/pc/support/> on the World Wide Web. Installation instructions are provided in README files with the device-driver files.

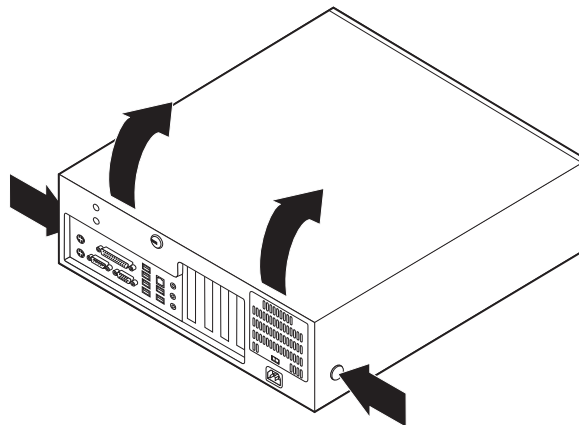
Removing the cover

Important

Read “Important safety information” on page v and “Handling static-sensitive devices” on page 5 before removing the cover.

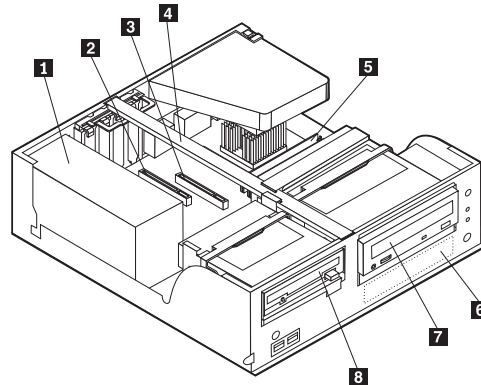
To remove the cover:

1. Shut down your operating system, remove any media (diskettes, CDs, or tapes) from the drives, and turn off all attached devices and the computer.
2. Unplug all power cords from electrical outlets.
3. Disconnect all cables attached to the computer. This includes power cords, input/output (I/O) cables, and any other cables that are connected to the computer.
4. Press the buttons on the sides of the computer and pivot the rear end of the cover up toward the front of the computer.



Locating components

The following illustration will help you locate the various components in your computer.



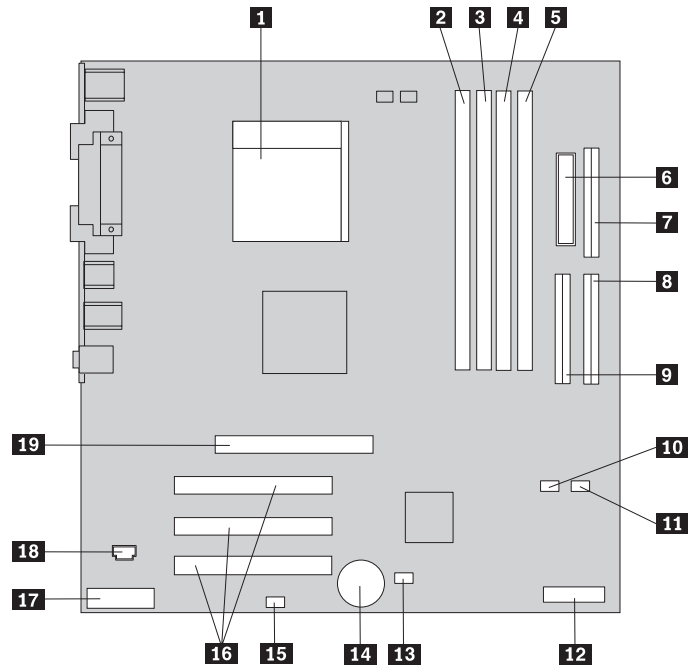
- 1** Power supply
- 2** PCI slot
- 3** AGP slot
- 4** Support bar

- 5** DIMM
- 6** Hard disk drive
- 7** CD-ROM drive or DVD-ROM drive
- 8** Diskette drive

Identifying parts on the system board

The system board (sometimes called the *planar* or *motherboard*) is the main circuit board in your computer. It provides basic computer functions and supports a variety of devices that are IBM-installed or that you can install later.

The following illustration shows the locations of parts on the system board.



- | | |
|---------------------------------------|--|
| 1 Microprocessor | 11 SATA 2 IDE connector |
| 2 DIMM connector 1 | 12 Promise of value (POV) daughter card (some models) |
| 3 DIMM connector 2 | 13 Clear CMOS/Recovery jumper |
| 4 DIMM connector 3 | 14 Battery |
| 5 DIMM connector 4 | 15 SCSI LED connector |
| 6 Power connector | 16 PCI slots |
| 7 Diskette drive connector | 17 Front panel audio connector |
| 8 PATA primary IDE connector | 18 CD-ROM audio connector |
| 9 PATA secondary IDE connector | 19 AGP slot |
| 10 SATA 1 IDE connector | |

Installing memory

Your computer has four connectors for installing dual inline memory modules (DIMMs) that provide up to a maximum of 4.0 GB of system memory.

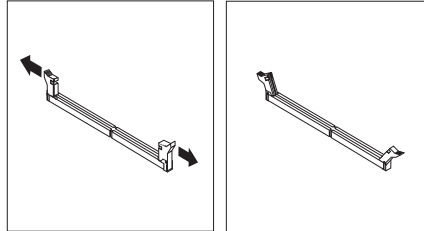
When installing DIMMs, the following rules apply:

- System memory is divided into two channels (channel A and B). DIMM connectors 1 and 2 are channel A, and DIMM connectors 3 and 4 are channel B.
- If DIMM connectors 1 and 3 (or 2 and 4) are filled with the same technology and size of memory, the system operates in dual channel mode.
- Use 2.5 V, 184-pin, 333 MHz double data rate synchronous dynamic random access memory (DDR SDRAM).
- Use 128 MB, 256 MB, 512 MB or 1.0 GB (when available) DIMMs in any combination.
- DIMMs are 25.4 mm (1.0 inch) in height.

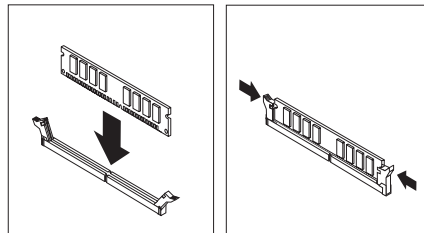
Note: Only DDR SDRAM DIMMs can be used.

To install a DIMM:

1. Remove the cover. See “Removing the cover” on page 9.
2. Locate the DIMM connectors. See “Identifying parts on the system board” on page 10.
3. Open the retaining clips.



4. Make sure the notches in the DIMM align with the tabs on the connector. Push or insert the DIMM straight down into the connector until the retaining clips close.



What to do next:

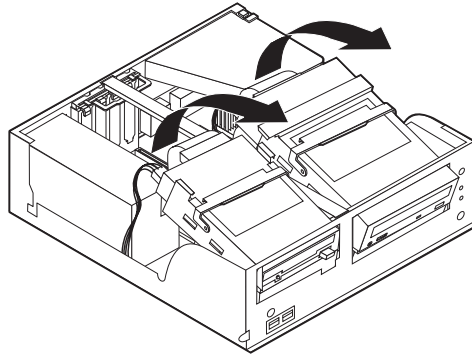
- To work with another option, go to the appropriate section.
- To complete the installation, go to “Replacing the cover and connecting the cables” on page 21.

Installing adapters

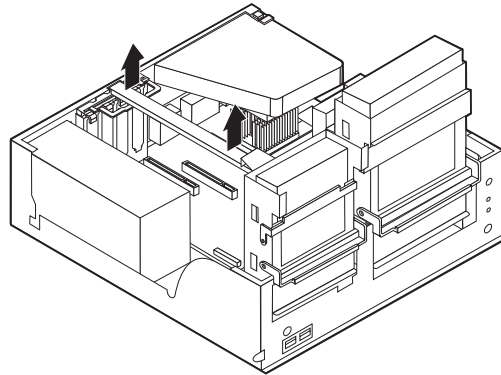
This section provides information and instructions for installing and removing adapters. Your computer has three expansion slots for PCI adapters and one slot used for an AGP adapter. Adapters must be low profile. Your computer supports adapters up to 168 mm (6.6 inches) long.

To install an adapter:

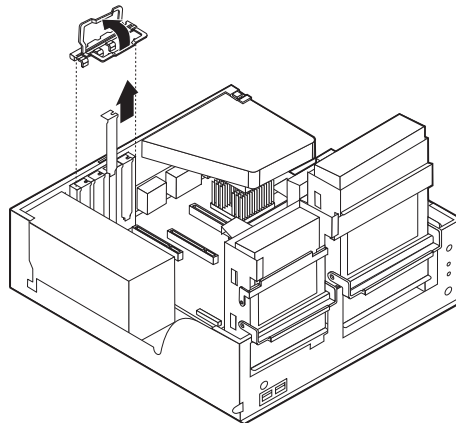
1. Remove the cover. See “Removing the cover” on page 9.
2. Pivot one of the drive bay latch handles toward the front of the computer and then pivot the drive bay cage upward, as shown, until it is latched in the up position. Repeat this procedure for the remaining drive bay.



3. Remove the support bar by pulling it outward from the computer.

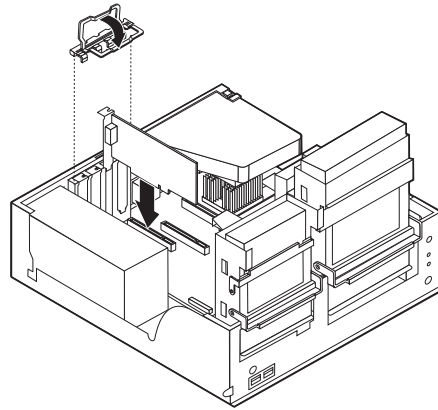


4. Remove the adapter-slot-cover latch and the slot cover for the appropriate expansion slot.



5. Remove the adapter from its static-protective package.
6. Install the adapter into the appropriate slot on the system board.

7. Install the adapter-slot-cover latch.



8. Clear any cables that might impede the replacement of the drive bays.
9. Replace the support bar and pivot the two drive bays back to their original positions.

What to do next:

- To work with another option, go to the appropriate section.
- To complete the installation, go to “Replacing the cover and connecting the cables” on page 21.

Installing internal drives

This section provides information and instructions for installing and removing internal drives.

Internal drives are devices that your computer uses to read and store data. You can add or replace drives to your computer to increase storage capacity and to enable your computer to read other types of media such as CD-ROM.

Internal drives are installed in *bays*. In this book, the bays are referred to as bay 1, bay 2, and so on.

When you install an internal drive, it is important to note what type and size of drive that you can install in each bay. Also, it is important to correctly connect the internal drive cables to the installed drive.

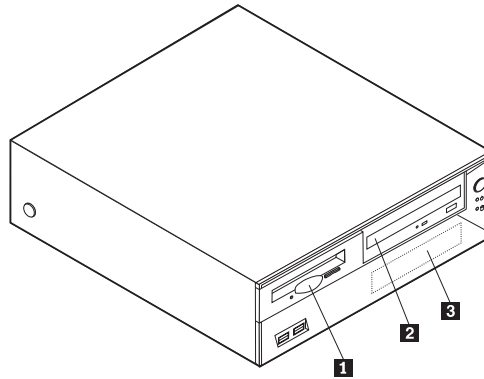
Drive specifications

Your computer might come with the following IBM-installed drives:

- A 3.5-inch diskette drive in bay 1
- A CD-ROM drive or DVD-ROM drive in bay 2 (some models)
- A 3.5-inch hard disk drive in bay 3

Any bay that does not have a drive installed has a static shield and bay panel installed.

The following illustration shows the locations of the drive bays.



The following list describes some of the drives that you can install in each bay and their height requirements:

- 1** Bay 1 - Maximum height: 25.8 mm (1.0 in.) 3.5-inch diskette drive (preinstalled)
- 2** Bay 2 - Maximum height: 43.0 mm (1.7 in.) CD-ROM drive or DVD-ROM drive (preinstalled in some models)
- 3** Bay 3 - Maximum height: 25.8 mm (1.0 in.) 3.5-inch hard disk drive (preinstalled)

Notes:

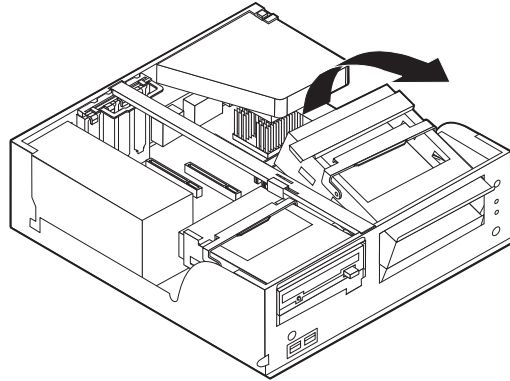
1. Drives that are greater than 43.0 mm (1.7 in.) high cannot be installed.
2. Install removable media (tape or CD) drives in the accessible bay (bay 2).

Installing a CD-ROM or DVD-ROM drive

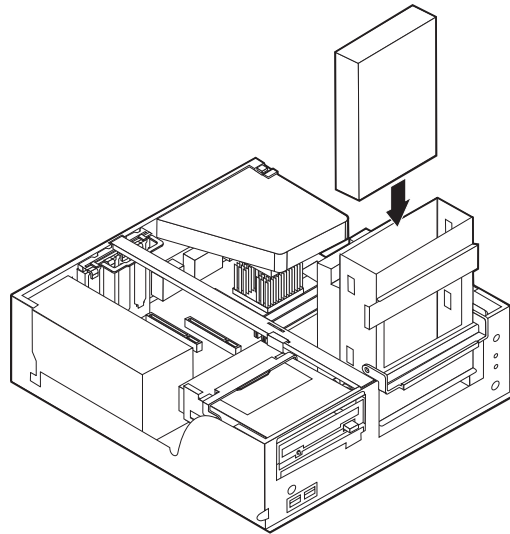
To install a CD-ROM drive or DVD-ROM drive in bay 2, follow these steps:

1. Remove the cover (see “Removing the cover” on page 9).
2. Remove the bay panel from the front bezel.
3. Remove the metal shield from the drive bay by inserting a flat-blade screwdriver into one of the slots and gently prying it loose.
4. Make sure the drive is set correctly as the master device. Refer to the documentation that comes with your CD-ROM drive or DVD-ROM drive for master/slave jumper information.

5. Pivot the drive bay latch handle toward the front of the computer and then pivot the drive bay cage upward, as shown, until it is latched in the up position.

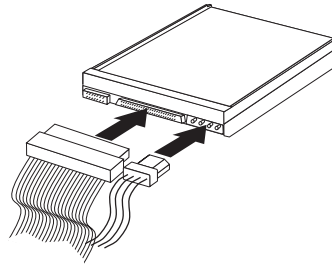


6. Install the drive into the bay. Align the screw holes and insert the two screws.



7. Each integrated drive electronics (IDE) drive requires two cables; a four-wire power cable that connects to the power supply, and a signal cable that connects to the system board. For a CD-ROM drive, you might also have an audio cable. To connect a CD-ROM drive or DVD-ROM drive to your computer, follow these steps:
 - a. Locate the signal cable that comes with your computer or with the new drive.
 - b. Locate the PATA secondary IDE connector on the system board. See “Identifying parts on the system board” on page 10.
 - c. Connect one end of the signal cable to the PATA secondary IDE connector on the system board and the other to the CD-ROM drive or DVD-ROM drive.

- d. Your computer has extra power connectors for connecting additional drives. Connect the power cable to the drive.



8. Clear any cables that might impede replacement of the drive cage.
9. Pivot the drive cage back into place.

What to do next:

- To work with another option, go to the appropriate section.
- To complete the installation, go to “Replacing the cover and connecting the cables” on page 21.

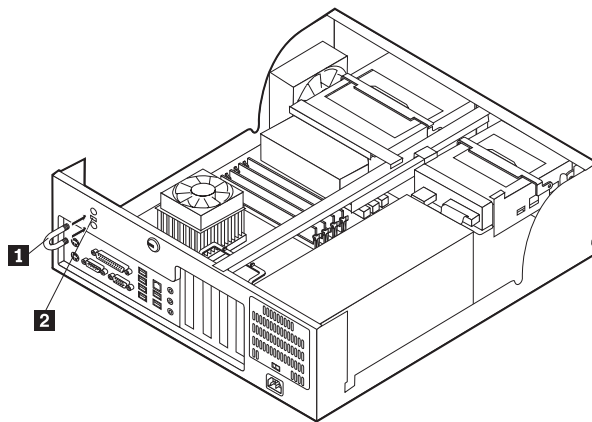
Installing security features

To help prevent hardware theft and unauthorized access to your computer, several security lock options are available. The following sections will help you identify and install the various types of locks that might be available for your computer. In addition to physical locks, unauthorized use of your computer can be prevented by a software lock that locks the keyboard until a correct password is typed in.

Make sure that any security cables you install do not interfere with other computer cables.

Identifying security locks

The following illustration shows the locations of the security features on the rear of the computer.



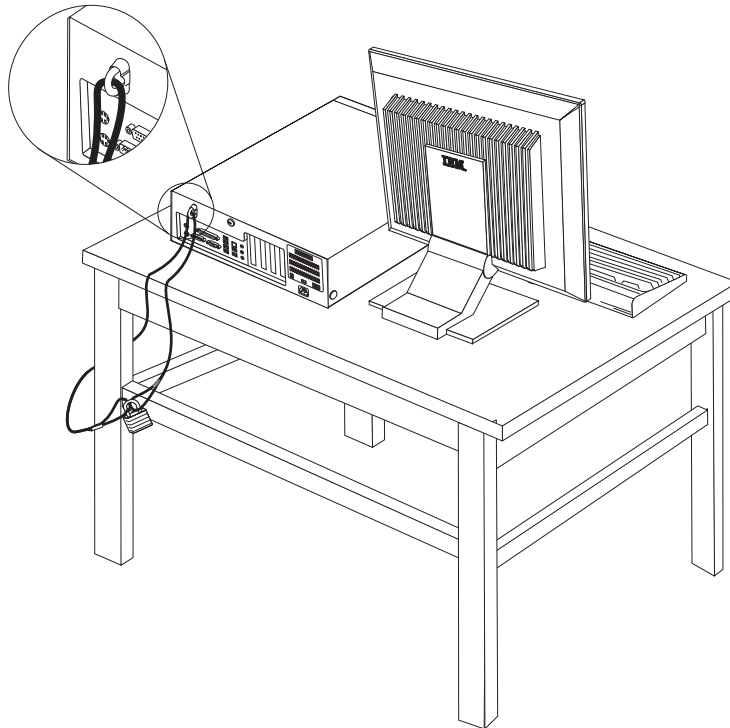
- 1** Rope clip
2 Integrated cable lock

Rope clip

Using a 3/16-inch or 5-mm rope clip (sometimes referred to as a U-bolt), a steel security cable, and a padlock can secure your computer to a desk, table, or other non-permanent fixture. For computers designed to accommodate the rope clip, knockouts at the rear of the chassis are provided.

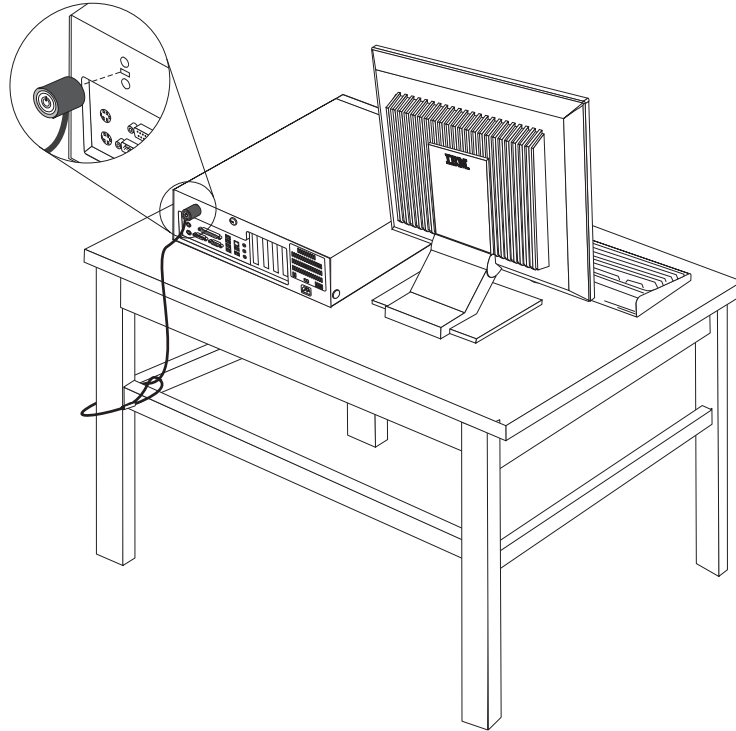
To install a rope clip:

1. Remove the cover (see “Removing the cover” on page 9).
2. Use a tool, such as a screwdriver, to remove the two metal knockouts.
3. Press both sides of the air baffle and lift it outward from the computer to remove.
4. Insert the rope clip through the rear panel; then attach and tighten the nuts with an appropriately sized or adjustable wrench.
5. Replace the computer cover. For more information, see “Replacing the cover and connecting the cables” on page 21.
6. Thread the cable through the rope clip and around an object that is not a part of or permanently secured to the building structure or foundation, and from which it cannot be removed; then fasten the cable ends together with a lock.



Integrated cable lock

With an integrated cable lock (sometimes referred to as a Kensington lock), you can secure your computer to a desk, table, or other non-permanent fixture. The cable lock attaches to a security slot at the rear of your computer and is operated with a key. This is the same type of lock used with many laptop computers. You can order a cable lock directly from IBM. Go to <http://www.pc.ibm.com/support> and search on *Kensington*.



Password protection

To deter unauthorized use of your computer, you can use the IBM Setup Utility program to set a password. When you turn on your computer you are prompted to type the password to unlock the keyboard for normal use.

What to do next:

- To work with another option, go to the appropriate section.
- To complete the installation, go to "Replacing the cover and connecting the cables" on page 21.

Changing the battery

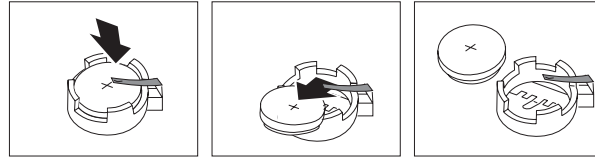
Your computer has a special type of memory that maintains the date, time, and settings for built-in features, such as parallel-port assignments (configuration). A battery keeps this information active when you turn off the computer.

The battery normally requires no charging or maintenance throughout its life; however, no battery lasts forever. If the battery fails, the date, time, and configuration information (including passwords) are lost. An error message is displayed when you turn on the computer.

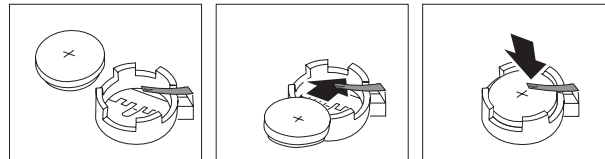
Refer to “Lithium battery notice” on page x for information about replacing and disposing of the battery.

To change the battery:

1. Turn off the computer and all attached devices.
2. Remove the cover. See “Removing the cover” on page 9.
3. Locate the battery. See “Identifying parts on the system board” on page 10.
4. If necessary, remove any adapters that impede access to the battery. See “Installing adapters” on page 12 for more information.
5. Remove the old battery.



6. Install the new battery.



7. Replace any adapters that were removed to gain access to the battery. See “Installing adapters” on page 12 for instructions for replacing adapters.
8. Replace the cover, and plug in the power cord. See “Replacing the cover and connecting the cables” on page 21.

Note: When the computer is turned on for the first time after battery replacement, an error message might be displayed. This is normal after replacing the battery.

9. Turn on the computer and all attached devices.
10. Use the IBM Setup Utility program to set the date and time and any passwords. See Chapter 5, “Using the IBM Setup Utility program,” on page 99.

Erasing a lost or forgotten password (clearing CMOS)

This section applies to lost or forgotten passwords. For more information about lost or forgotten passwords, see Access IBM on your desktop.

Note: Some computer models might have a POV daughter card installed on the system board. If this is the case, the password is stored in an EEPROM on the POV card and can not be erased. See “Identifying parts on the system board” on page 10 for the location of the POV daughter card.

To erase a forgotten password:

1. Turn off the computer and all attached devices.
2. Remove the cover. See “Removing the cover” on page 9.
3. Locate the Clear CMOS/Recovery jumper on the system board. See “Identifying parts on the system board” on page 10.
4. If necessary, see “Installing adapters” on page 12 to remove any adapters that impede access to the Clear CMOS/Recovery jumper.

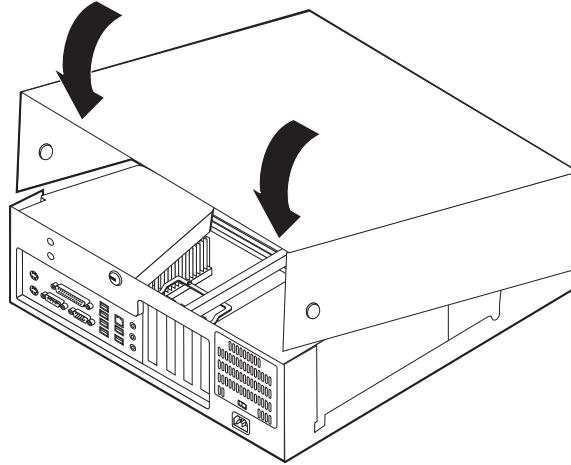
5. Move the jumper from the standard position (pins 1 and 2) to the maintenance or configure position (pins 2 and 3).
6. Replace the cover and connect the power cord. See “Replacing the cover and connecting the cables.”
7. Restart the computer, leave it on for approximately 10 seconds. Turn off the computer by holding the power switch for approximately 5 seconds. The computer will turn off.
8. Repeat steps 2 through 4 on page 20.
9. Move the jumper back to the standard (pins 1 and 2).
10. Replace the cover and connect the power cord. See “Replacing the cover and connecting the cables.”

Replacing the cover and connecting the cables

After working with options, you need to install any removed parts, replace the cover, and reconnect cables, including telephone lines and power cords. Also, depending on the option that is installed, you might need to confirm the updated information in the IBM Setup Utility program.

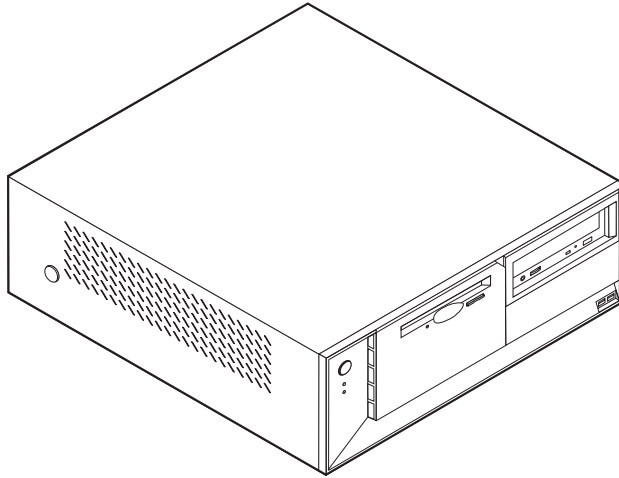
To replace the cover and connect cables to your computer:

1. Ensure that all components have been reassembled correctly and that no tools or loose screws are left inside your computer.
2. Clear any cables that might impede the replacement of the cover.
3. Position the cover over the chassis and pivot it down over the computer until it snaps into place.



4. Reconnect the external cables and power cords to the computer. See “Installing external options” on page 6.
5. To update the configuration, see Chapter 5, “Using the IBM Setup Utility program,” on page 99.

Chapter 2. Types 8128, 8187, 8188, 8193, 8414, and 8431



This chapter provides an introduction to the features and options that are available for your computer. You can expand the capabilities of your computer by adding memory, adapters, or drives. When installing an option, use these instructions along with the instructions that come with the option.

Important

Before you install or remove any option, read “Important safety information” on page v. These precautions and guidelines will help you work safely.

Features

This section provides an overview of the computer features and preinstalled software.

System information

The following information covers a variety of models. For a listing of the features for your specific model, refer to the IBM Setup Utility program. See Chapter 5, “Using the IBM Setup Utility program,” on page 99.

Microprocessor (varies by model type)

- Intel® Pentium® 4 processor with HyperThreading
- Intel Pentium 4 processor
- Intel Celeron® processor
- Internal cache (size varies by model type)

Memory

- Support for four dual inline memory modules (DIMMs)
- 512 KB flash memory for system programs

Internal drives

- 3.5-inch, 1.44 MB diskette drive
- Internal hard disk drive
- EIDE CD drive or DVD drive (some models)

Video subsystem

- An integrated graphics controller for a Video Graphics Array (VGA) monitor
- Accelerated graphics port (AGP) video adapter slot on the system board

Audio subsystem

- AC'97 with ADI 1981B Audio Codec
- Line in, line out, and microphone connectors on the rear panel

Connectivity

- 10/100 Mbps integrated Intel Ethernet controller that supports the Wake on LAN[®] feature (some models)
- 10/100/1000 Mbps integrated Intel Ethernet controller that supports the Wake on LAN feature (some models)
- Soft modem V.90/V.44 (some models)

System management features

- Remote Program Load (RPL) and Dynamic Host Configuration Protocol (DHCP)
- Wake on LAN
- Wake on Ring (in the IBM Setup Utility program, this feature is called Serial Port Ring Detect for an external modem)
- Remote Administration
- Automatic power-on startup
- System Management (SM) BIOS and SM software
- Ability to store POST hardware test results

Input/output features

- 25-pin, Extended Capabilities Port (ECP)/Extended Parallel Port (EPP)
- 9-pin serial connector
- Eight 4-pin, USB connectors (two on front panel and six on rear panel)
- PS/2[®] mouse connector
- PS/2 keyboard connector
- Ethernet connector
- VGA monitor connector
- Three audio connectors (line in, line out, and microphone)

Expansion

- Four drive bays
- Three 32-bit peripheral component interconnect (PCI) adapter slots
- One accelerated graphics port (AGP) expansion slot

Power

- 230 W power supply with manual voltage selection switch
- Automatic 50/60 Hz input frequency switching

- Advanced Power Management support
- Advanced Configuration and Power Interface (ACPI) support

Security features

- User and administrator passwords
- Support for the addition of a rope clip and lockable cable
- Support for the addition of an integrated cable lock
- Startup sequence control
- Startup without diskette drive, keyboard, or mouse
- Unattended start mode
- Diskette and hard disk I/O control
- Serial and parallel port I/O control
- Security profile by device

IBM preinstalled software

Your computer might come with preinstalled software. If it does, an operating system, device drivers to support built-in features, and other support programs are included.

Operating systems (preinstalled) (varies by model type)

Note: Not all countries or regions will have these operating systems.

- Microsoft® Windows XP Home
- Microsoft Windows XP Professional
- Microsoft Windows 2000

Operating systems (tested for compatibility)²

- Microsoft Windows NT® Workstation Version 4.0
- Microsoft Windows 98 Second Edition

2. The operating systems listed here are being tested for compatibility at the time this publication goes to press. Additional operating systems might be identified by IBM as compatible with your computer following the publication of this booklet. Corrections and additions to this list are subject to change. To determine if an operating system has been tested for compatibility, check the Web site of the operating system vendor.

Specifications

This section lists the physical specifications for your computer.

<p>Dimensions</p> <p>Height: 140 mm (5.5 in.) Width: 425 mm (16.7 in.) Depth: 425 mm (16.7 in.)</p> <p>Weight</p> <p>Minimum configuration as shipped: 10.0 kg (22 lb) Maximum configuration: 11.4 kg (25.0 lb)</p> <p>Environment</p> <p>Air temperature: System on: 10° to 35°C (50° to 95° F) System off: 10° to 43°C (50° to 110° F) Maximum altitude: 2134 m (7000 ft) Note: The maximum altitude, 2134 m (7000 ft), is the maximum altitude at which the specified air temperatures apply. At higher altitudes, the maximum air temperatures are lower than those specified.</p> <p>Humidity: System on: 8% to 80% System off: 8% to 80%</p> <p>Electrical input</p> <p>Input voltage: Low range: Minimum: 100 V ac Maximum: 127 V ac Input frequency range: 50-60 Hz Voltage switch setting: 115 V ac High range: Minimum: 200 V ac Maximum: 240 V ac Input frequency range: 50-60 Hz Voltage switch setting: 230 V ac Input kilovolt-amperes (kVA) (approximate): Minimum configuration as shipped: 0.08 kVA Maximum configuration: 0.3 kVA</p> <p>Note: Power consumption and heat output vary depending on the number and type of optional features installed and the power-management optional features in use.</p>	<p>Heat output (approximate) in British thermal units (Btu) per hour: Minimum configuration: 257 Btu/hr (75 watts) Maximum configuration: 785 Btu/hr (230 watts)</p> <p>Airflow</p> <p>Approximately 0.51 cubic meters per minute (18 cubic feet per minute) maximum</p> <p>Acoustical noise-emission values</p> <p>Average sound-pressure levels: At operator position: Idle: 30 dBA Operating: 32 dBA At bystander position - 1 meter (3.3 ft): Idle: 26 dBA Operating: 30 dBA Declared (upper limit) sound-power levels: Idle: 4.0 bels Operating: 4.3 bels</p> <p>Note: These levels were measured in controlled acoustical environments according to the procedures specified by the American National Standards Institute (ANSI) S12.10 and ISO 7779 and are reported in accordance with ISO 9296. Actual sound-pressure levels in a given location might exceed the average values stated because of room reflections and other nearby noise sources. The declared sound-power levels indicate an upper limit, below which a large number of computers will operate.</p>
--	---

Available options

The following are some available options:

- External options
 - Parallel port devices, such as printers and external drives
 - Serial port devices, such as external modems and digital cameras
 - Audio devices, such as external speakers for the sound system
 - USB devices, such as printers, joysticks, and scanners
 - Security device, such as a rope clip
 - Monitors
- Internal options
 - System memory, called dual inline memory modules (DIMMs)
 - Peripheral component interconnect (PCI) adapters
 - Accelerated graphics port (AGP) adapters
 - Internal drives, such as:
 - CD drive or DVD drive (some models)
 - Hard disk drive
 - Diskette drives and other removable media drives

For the latest information about available options, see the following World Wide Web pages:

- <http://www.ibm.com/pc/us/options/>
- <http://www.ibm.com/pc/support/>

You can also obtain information by calling the following telephone numbers:

- Within the United States, call 1-800-IBM-2YOU (1-800-426-2968), your IBM reseller, or IBM marketing representative.
- Within Canada, call 1-800-565-3344 or 1-800-IBM-4YOU.
- Outside the United States and Canada, contact your IBM reseller or IBM marketing representative.

Tools required

To install some options in your computer, you might need a flat-blade or Phillips screwdriver. Additional tools might be needed for certain options. See the instructions that come with the option.

Handling static-sensitive devices

Static electricity, although harmless to you, can seriously damage computer components and options.

When you add an option, do *not* open the static-protective package containing the option until you are instructed to do so.

When you handle options and other computer components, take these precautions to avoid static electricity damage:

- Limit your movement. Movement can cause static electricity to build up around you.
- Always handle components carefully. Handle adapters and memory modules by the edges. Never touch any exposed circuitry.

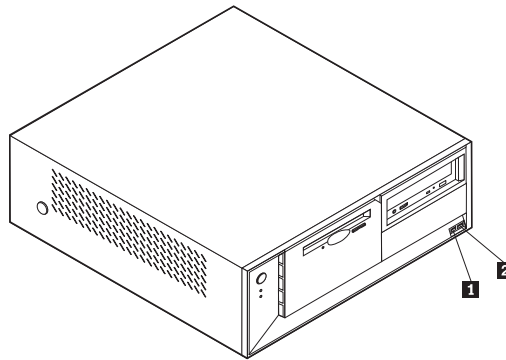
- Prevent others from touching components.
- When you install a new option, touch the static-protective package containing the option to a metal expansion-slot cover or other unpainted metal surface on the computer for at least two seconds. This reduces static electricity in the package and your body.
- When possible, remove the option and install it directly in the computer without setting the option down. When this is not possible, place the static-protective package that the option came in on a smooth, level surface and place the option on it.
- Do not place the option on the computer cover or other metal surface.

Installing external options

This section shows the various external connectors on your computer to which you can attach external options, such as external speakers, a printer, or a scanner. For some external options, you must install additional software in addition to making the physical connection. When adding an external option, use the information in this section to identify the required connector, and then use the instructions that come with the option to help you make the connection and install any software or device drivers that are required for the option.

Locating the connectors on the front of your computer

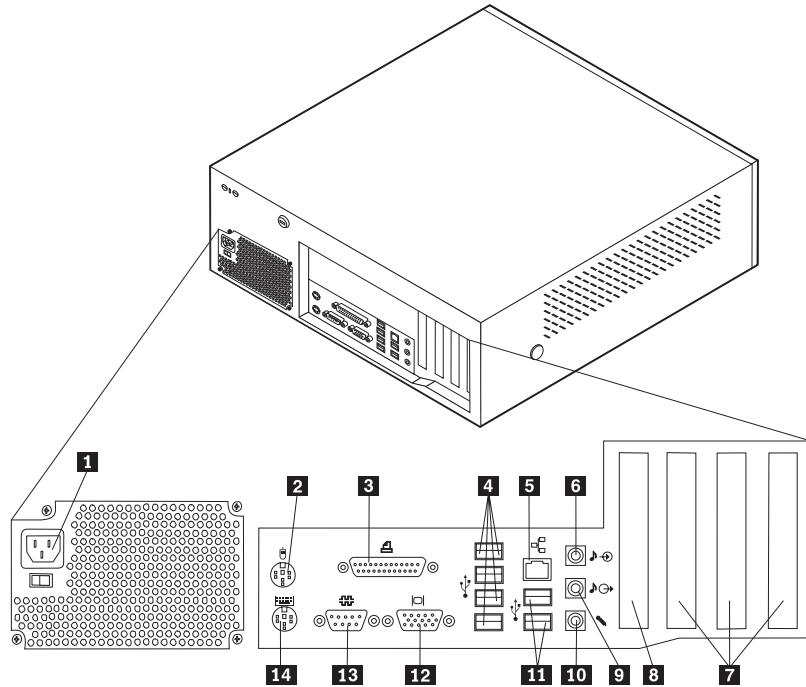
The following illustration shows the locations of the connectors on the front of the computer.



- 1** USB connector
- 2** USB connector

Locating the connectors on the rear of your computer

The following illustration shows the locations of the connectors on the rear of the computer.



- | | |
|----------------------------------|-----------------------------------|
| 1 Power connector | 8 AGP slot |
| 2 Mouse connector | 9 Audio line out connector |
| 3 Parallel connector | 10 Microphone connector |
| 4 USB connectors | 11 USB connectors |
| 5 Ethernet connector | 12 VGA monitor connector |
| 6 Audio line in connector | 13 Serial connector |
| 7 PCI slots | 14 Keyboard connector |

Note: Some connectors on the rear of the computer are color-coded to help you to determine where to connect the cables on your computer.

Connector	Description
Mouse connector	Used to attach a mouse, trackball, or other pointing device that uses a standard mouse connector.
Parallel connector	Used to attach a parallel printer, parallel scanner, or other devices that use a 25-pin parallel connector.
USB connectors	Used to attach a device that requires a Universal Serial Bus (USB) connection, such as a USB scanner or USB printer. If you have more than eight USB devices, you can purchase a USB hub, which you can use to connect additional USB devices.
Ethernet connector	Used to attach an Ethernet cable for a local area network (LAN). Note: To operate the computer within FCC Class B limits, use a Category 5 Ethernet cable.
Audio line in connector	Used to receive audio signals from an external audio device, such as a stereo system. When you attach an external audio device, a cable is connected between the audio line out connector of the device and the audio line in connector of the computer.
Audio line out connector	Used to send audio signals from the computer to external devices, such as powered stereo speakers (speakers with built-in amplifiers), headphones, multimedia keyboards, or the audio line in connector on a stereo system or other external recording device.
Microphone connector	Used to attach a microphone to your computer when you want to record voice or other sounds on the hard disk if you use speech-recognition software.
Serial connector	Used to attach an external modem, serial printer, or other devices that use a 9-pin serial connector.
Keyboard connector	Used to attach a keyboard that uses a standard keyboard connector.

Obtaining device drivers

You can obtain device drivers for operating systems that are not preinstalled at <http://www.ibm.com/pc/support/> on the World Wide Web. Installation instructions are provided in README files with the device-driver files.

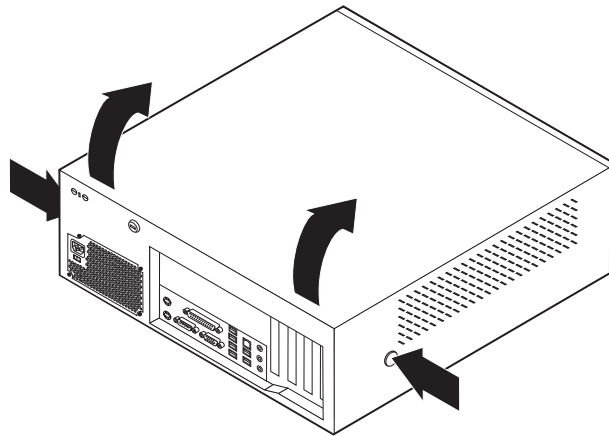
Removing the cover

Important:

Read “Important safety information” on page v and “Handling static-sensitive devices” on page 27 before removing the cover.

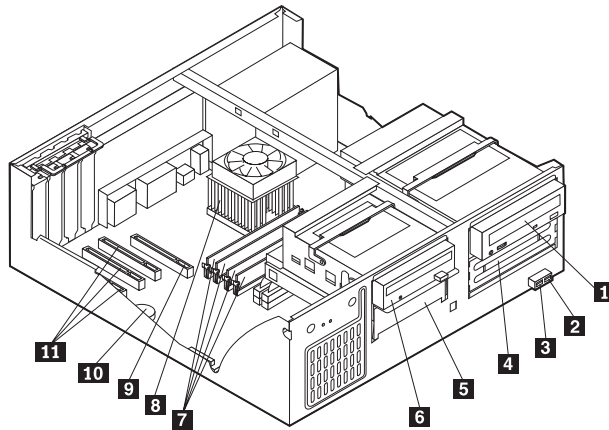
To remove the cover:

1. Shut down your operating system, remove any media (diskettes, CDs, or tapes) from the drives, and turn off all attached devices and the computer.
2. Unplug all power cords from electrical outlets.
3. Disconnect all cables attached to the computer. This includes power cords, input/output (I/O) cables, and any other cables that are connected to the computer.
4. Press the buttons on the sides of the computer and pivot the rear end of the cover up toward the front of the computer.



Locating components

The following illustration will help you locate the various components in your computer.

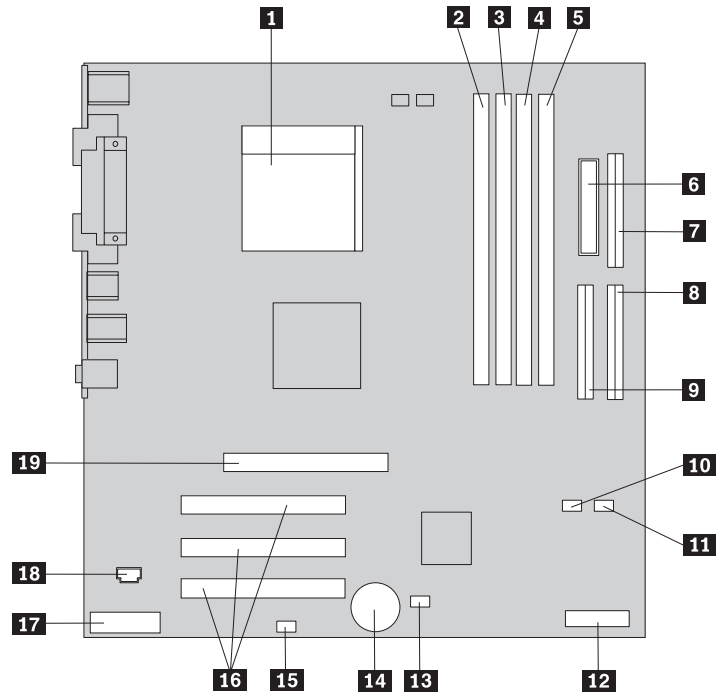


- | | |
|--------------------------------|---------------------------------------|
| 1 CD drive or DVD drive | 7 DIMMs |
| 2 USB connector | 8 Microprocessor and heat sink |
| 3 USB connector | 9 AGP slot |
| 4 Optional drive bay | 10 Battery |
| 5 Hard disk drive | 11 PCI slots |
| 6 Diskette drive | |

Identifying parts on the system board

The system board (sometimes called the *planar* or *motherboard*) is the main circuit board in your computer. It provides basic computer functions and supports a variety of devices that are IBM-installed or that you can install later.

The following illustration shows the locations of parts on the system board.



- | | |
|---------------------------------------|--|
| 1 Microprocessor | 11 SATA 2 IDE connector |
| 2 DIMM connector 1 | 12 Promise of value (POV) daughter card (some models) |
| 3 DIMM connector 2 | 13 Clear CMOS/Recovery jumper |
| 4 DIMM connector 3 | 14 Battery |
| 5 DIMM connector 4 | 15 SCSI LED connector |
| 6 Power connector | 16 PCI slots |
| 7 Diskette drive connector | 17 Front panel audio connector |
| 8 PATA primary IDE connector | 18 CD-ROM audio connector |
| 9 PATA secondary IDE connector | 19 AGP slot |
| 10 SATA 1 IDE connector | |

Installing memory

Your computer has four connectors for installing dual inline memory modules (DIMMs) that provide up to a maximum of 4.0 GB of system memory.

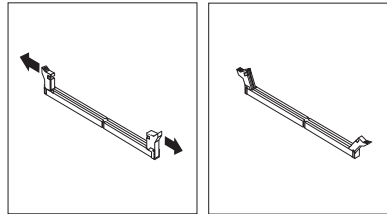
When installing DIMMs, the following rules apply:

- System memory is divided into two channels (channel A and B). DIMM connectors 1 and 2 are channel A, and DIMM connectors 3 and 4 are channel B.
- If DIMM connectors 1 and 3 (or 2 and 4) are filled with the same technology and size of memory, the system operates in dual channel mode.
- Use 2.5 V, 184-pin, 333 MHz double data rate synchronous dynamic random access memory (DDR SDRAM).
- Use 128 MB, 256 MB, 512 MB or 1.0 GB (when available) DIMMs in any combination.
- DIMMs are 25.4 mm (1.0 inch) in height.

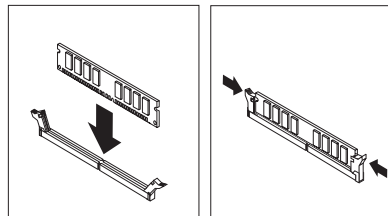
Note: Only DDR SDRAM DIMMs can be used.

To install a DIMM:

1. Remove the cover. See “Removing the cover” on page 31.
2. You might have to remove an adapter to gain access to the DIMM slots. See “Installing adapters” on page 34.
3. Locate the DIMM connectors. See “Identifying parts on the system board” on page 32.
4. Open the retaining clips.



5. Make sure the notches in the DIMM align with the tabs on the connector. Push or insert the DIMM straight down into the connector until the retaining clips close.



What to do next:

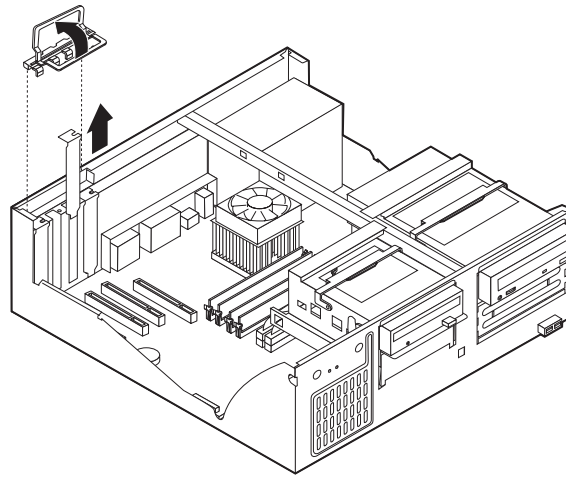
- To work with another option, go to the appropriate section.
- To complete the installation, go to “Replacing the cover and connecting the cables” on page 45.

Installing adapters

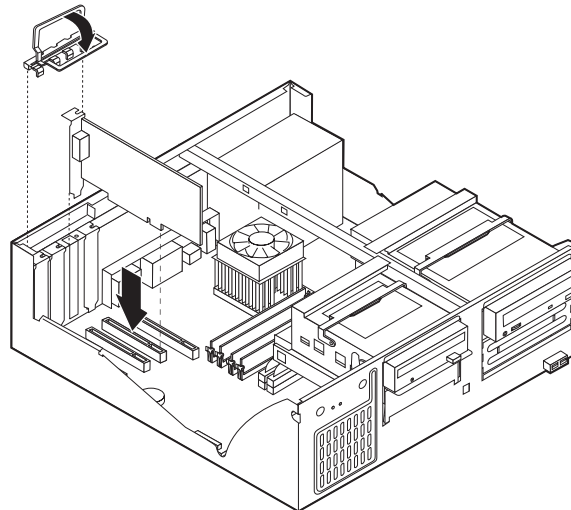
This section provides information and instructions for installing and removing adapters. Your computer has three expansion slots for PCI adapters and one slot used for an AGP adapter. You can install an adapter up to 340 mm (13.4 inches) long.

To install an adapter:

1. Remove the cover. See “Removing the cover” on page 31.
2. Remove the adapter-slot-cover latch and the slot cover for the appropriate expansion slot.



3. Remove the adapter from its static-protective package.
4. Install the adapter into the appropriate slot on the system board.
5. Install the adapter-slot-cover latch.



What to do next:

- To work with another option, go to the appropriate section.
- To complete the installation, go to “Replacing the cover and connecting the cables” on page 45.

Installing internal drives

This section provides information and instructions for installing and removing internal drives.

Internal drives are devices that your computer uses to read and store data. You can add drives to your computer to increase storage capacity and to enable your computer to read other types of media. Some of the different drives that are available for your computer are:

- Parallel Advanced Technology Attachment (PATA) hard disk drives
- Serial ATA hard disk drives
- CD drives or DVD drives
- Tape drives
- Removable media drives

Note: These different drives are also referred to as integrated drive electronics (IDE) drives.

Internal drives are installed in *bays*. In this book, the bays are referred to as bay 1, bay 2, and so on.

When you install an internal drive, it is important to note what type and size of drive that you can install in each bay. Also, it is important to correctly connect the internal drive cables to the installed drive.

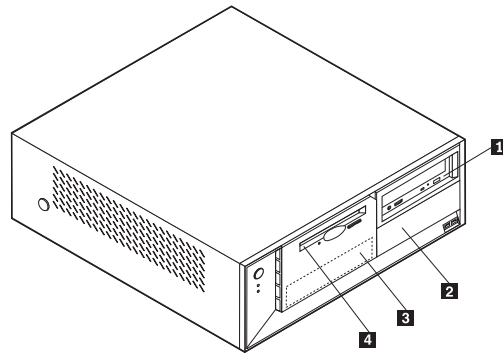
Drive specifications

Your computer comes with the following IBM-installed drives:

- A CD drive or DVD drive in bay 1 (some models)
- A 3.5-inch hard disk drive in bay 3
- A 3.5-inch diskette drive in bay 4

Any bay that does not have a drive installed has a static shield and bay panel installed.

The following illustration shows the locations of the drive bays.



The following list describes some of the drives that you can install in each bay and their height requirements:

- | | |
|--|---|
| 1 Bay 1 - Maximum height: 43.0 mm (1.7 in.) | CD drive or DVD drive (preinstalled in some models) |
| 2 Bay 2 - Maximum height: 43.0 mm (1.7 in.) | 5.25-inch hard disk drive
3.5-inch hard disk drive (requires a mounting bracket) |
| 3 Bay 3 - Maximum height: 25.8 mm (1.0 in.) | CD drive
DVD drive |
| 4 Bay 4 - Maximum height: 25.8 mm (1.0 in.) | 3.5-inch hard disk drive (preinstalled)
3.5-inch diskette drive (preinstalled) |

Notes:

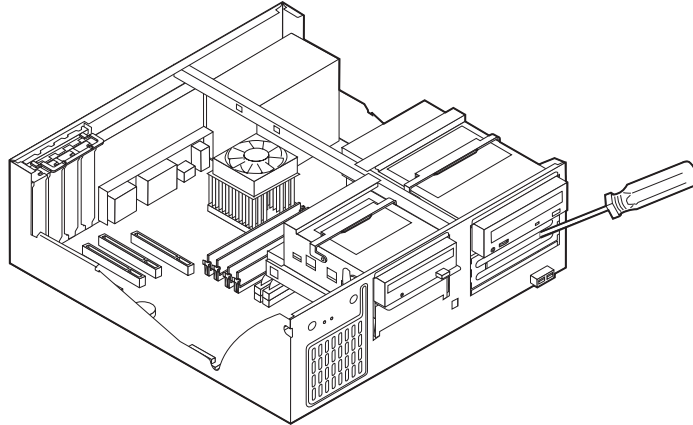
1. Drives that are greater than 43.0 mm (1.7 in.) high cannot be installed.
2. Install removable media (tape or CD) drives in the accessible bay (bay 1 or 2).

Installing a drive

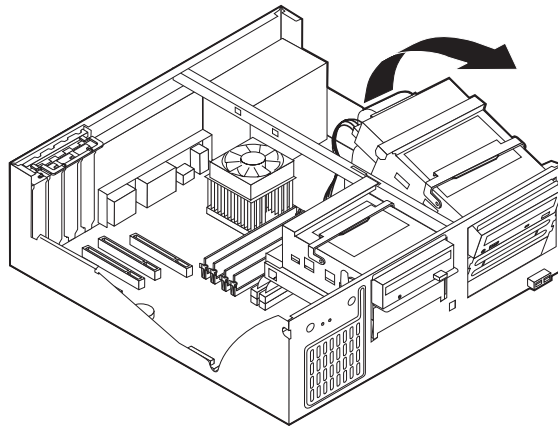
To install an internal drive, follow these steps:

1. Remove the cover. See “Removing the cover” on page 31.
2. If your computer has a CD drive or DVD drive, you might need to remove the signal and power cables from the drive.
3. If the drive you are installing is a removable-media drive, remove the bay panel from the front bezel.

4. Remove the metal shield from the drive bay by inserting a flat-blade screwdriver into one of the slots and gently prying it loose.



5. Pivot the drive-bay latch handle toward the front of the computer and then pivot the drive-bay cage upward, as shown, until it is latched in the upright position.



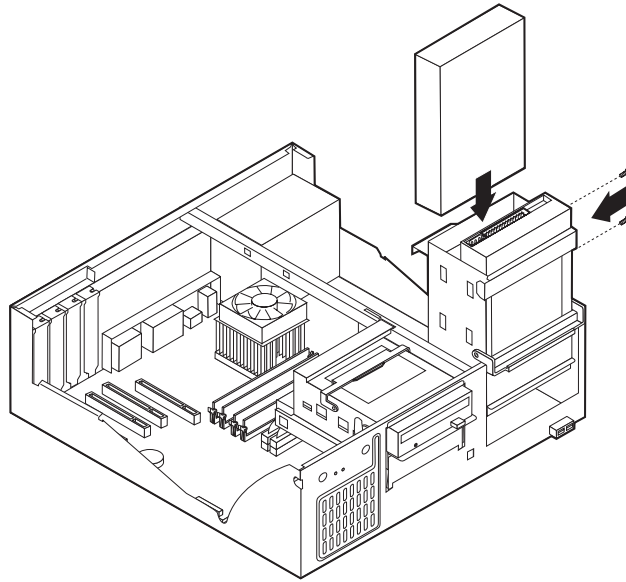
6. Make sure the drive that you are installing is set correctly as either a master or a slave device.

Note: A serial ATA hard disk drive does not need to be set as either a master or a slave device.

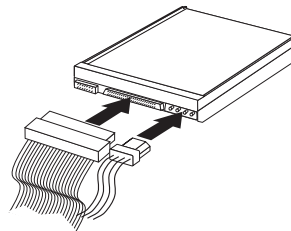
- If it is the first CD drive or DVD drive, set it as a master device.
- If it is an additional CD drive or DVD drive, set it as a slave device.
- If it is an additional parallel ATA hard disk drive, set it as a slave device.

Refer to the documentation that comes with your drive for master/slave jumper information.

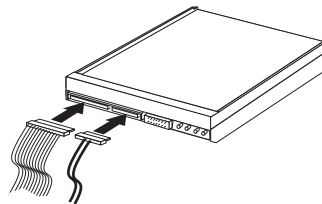
7. Install the drive into the bay. Align the screw holes and insert the two screws.



8. Pivot the drive-bay cage back into place.
9. A hard disk drive requires two cables; a power cable that connects to the power supply and a signal cable that connects to the system board.
 - A parallel ATA hard disk drive requires a four-wire power cable.



- A serial ATA hard disk drive requires a five-wire power cable.



The steps to connect a drive are different depending on the type of drive you are connecting. Use one of the following procedure for your drive connection.

Connecting the first CD drive or DVD drive

1. Locate the three-connector signal cable that comes with your computer or with the new drive.
2. Locate the PATA secondary IDE connector on the system board. See “Identifying parts on the system board” on page 32.
3. Connect one end of the signal cable to the drive and the other to the PATA secondary IDE connector on the system board. To reduce electronic noise, use the connectors at the end of the cable only.

4. Your computer has extra power connectors for additional drives. Connect a power connector to the drive.
5. If you have a CD-ROM audio cable, connect it to the drive and to the system board. See “Identifying parts on the system board” on page 32.

Connecting an additional CD drive, DVD drive, or parallel ATA hard disk drive

1. Locate the PATA secondary IDE connector on the system board and the three-connector signal cable. See “Identifying parts on the system board” on page 32.
2. Connect the extra connector in the signal cable to the new drive.
3. Your computer has extra power connectors for additional drives. Connect a power connector to the drive.

Connecting a serial ATA hard disk drive

A serial hard disk drive can be connected to either the SATA 1 IDE or SATA 2 IDE connector.

1. Locate the signal cable that comes with the new drive.
2. Locate an available SATA IDE connector on the system board. See “Identifying parts on the system board” on page 32.
3. Connect one end of the signal cable to the drive and the other to an available SATA IDE connector on the system board.
4. Your computer has extra power connectors for additional drives. Connect a power connector to the drive.

What to do next

- To work with another option, go to the appropriate section.
- To complete the installation, go to “Replacing the cover and connecting the cables” on page 45.

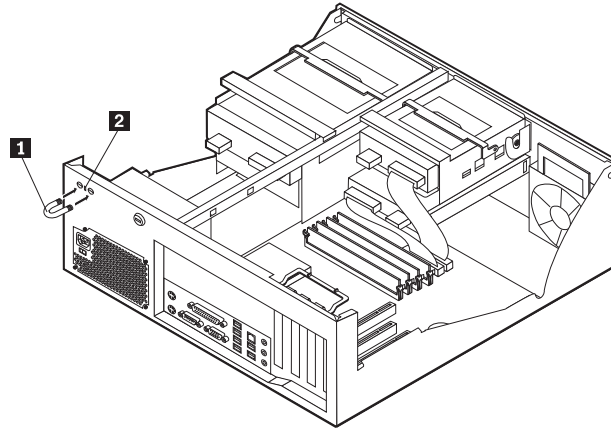
Installing security features

To help prevent hardware theft and unauthorized access to your computer, several security lock options are available. The following sections will help you identify and install the various types of locks that might be available for your computer. In addition to physical locks, unauthorized use of your computer can be prevented by a software lock that locks the keyboard until a correct password is typed in.

Make sure that any security cables you install do not interfere with other computer cables.

Identifying security locks

The following illustration shows the locations of the security features on the rear of the computer.



- 1** Rope clip
- 2** Integrated cable lock

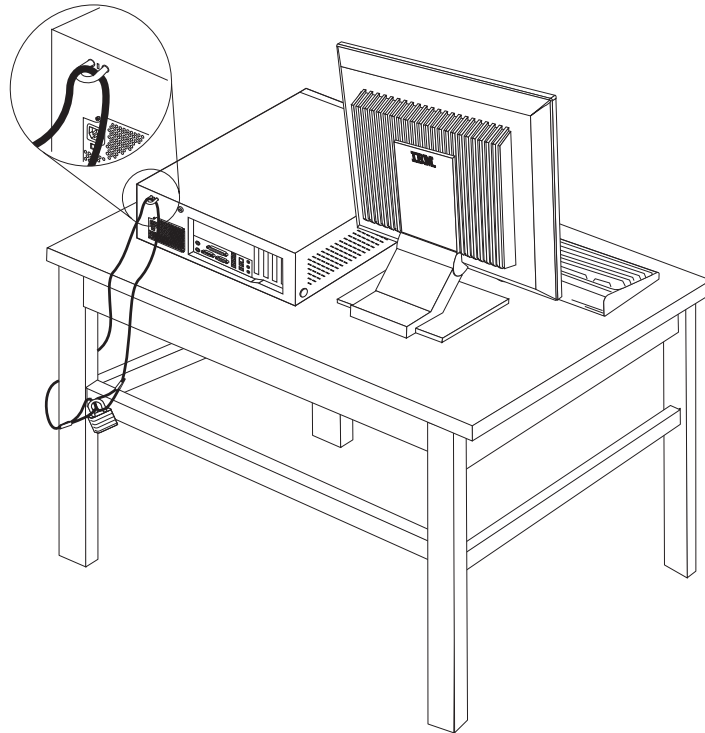
Rope clip

Using a 3/16-inch or 5-mm rope clip (sometimes referred to as a U-bolt), a steel security cable, and a padlock can secure your computer to a desk, table, or other non-permanent fixture. For computers designed to accommodate the rope clip, knockouts at the rear of the chassis are provided.

To install a rope clip:

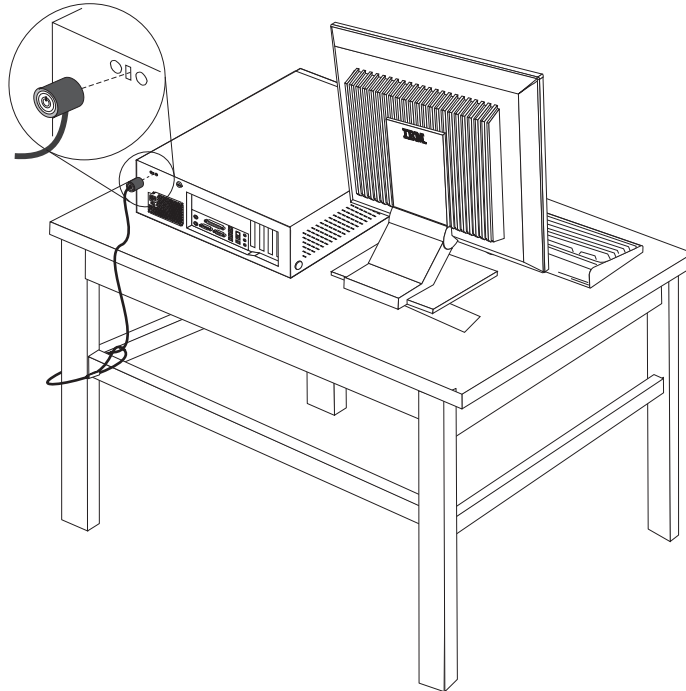
1. Remove the cover. See “Removing the cover” on page 31.
2. Use a tool, such as a screwdriver, to remove the two metal knockouts.
3. Insert the rope clip through the rear panel; then attach and tighten the nuts with an appropriately sized or adjustable wrench.
4. Replace the computer cover. For more information, see “Replacing the cover and connecting the cables” on page 45.

5. Thread the cable through the rope clip and around an object that is not a part of or permanently secured to the building structure or foundation, and from which it cannot be removed; then fasten the cable ends together with a lock.



Integrated cable lock

With an integrated cable lock (sometimes referred to as a Kensington lock), you can secure your computer to a desk, table, or other non-permanent fixture. The cable lock attaches to a security slot at the rear of your computer and is operated with a key. This is the same type of lock used with many laptop computers. You can order a cable lock directly from IBM. Go to <http://www.pc.ibm.com/support> and search on *Kensington*.



Password protection

To deter unauthorized use of your computer, you can use the IBM Setup Utility program to set a password. When you turn on your computer you are prompted to type the password to unlock the keyboard for normal use.

What to do next:

- To work with another option, go to the appropriate section.
- To complete the installation, go to "Replacing the cover and connecting the cables" on page 45.

Changing the battery

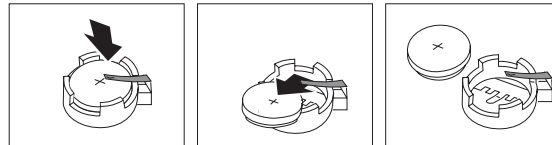
Your computer has a special type of memory that maintains the date, time, and settings for built-in features, such as parallel-port assignments (configuration). A battery keeps this information active when you turn off the computer.

The battery normally requires no charging or maintenance throughout its life; however, no battery lasts forever. If the battery fails, the date, time, and configuration information (including passwords) are lost. An error message is displayed when you turn on the computer.

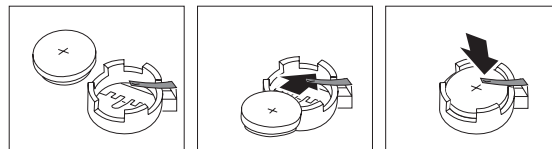
Refer to “Lithium battery notice” on page x for information about replacing and disposing of the battery.

To change the battery:

1. Turn off the computer and all attached devices.
2. Remove the cover. See “Removing the cover” on page 31.
3. Locate the battery. See “Identifying parts on the system board” on page 32.
4. If necessary, remove any adapters that impede access to the battery. See “Installing adapters” on page 34 for more information.
5. Remove the old battery.



6. Install the new battery.



7. Replace any adapters that were removed to gain access to the battery. See “Installing adapters” on page 34 for instructions for replacing adapters.
8. Replace the cover, and plug in the power cord. See “Replacing the cover and connecting the cables” on page 45.

Note: When the computer is turned on for the first time after battery replacement, an error message might be displayed. This is normal after replacing the battery.

9. Turn on the computer and all attached devices.
10. Use the IBM Setup Utility program to set the date and time and any passwords. See Chapter 5, “Using the IBM Setup Utility program,” on page 99.

Erasing a lost or forgotten password (clearing CMOS)

This section applies to lost or forgotten passwords. For more information about lost or forgotten passwords, see Access IBM on your desktop.

Note: Some computer models might have a POV daughter card installed on the system board. If this is the case, the password is stored in an EEPROM on the POV card and can not be erased. See “Identifying parts on the system board” on page 32 for the location of the POV daughter card.

To erase a forgotten password:

1. Turn off the computer and all attached devices.
2. Remove the cover. See “Removing the cover” on page 31.
3. Locate the Clear CMOS/Recovery jumper on the system board. See “Identifying parts on the system board” on page 32.
4. If necessary, see “Installing adapters” on page 34 to remove any adapters that impede access to the Clear CMOS/Recovery jumper.

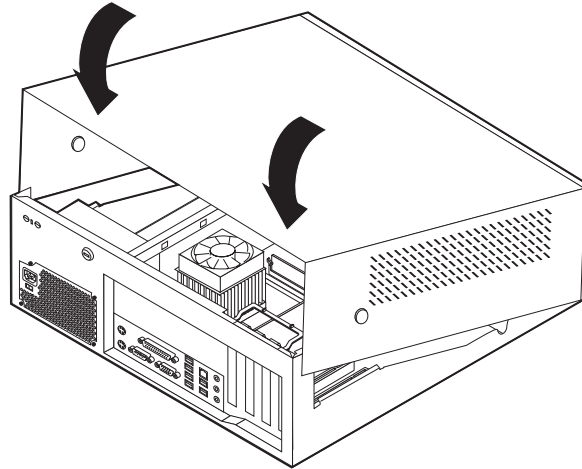
5. Move the jumper from the standard position (pins 1 and 2) to the maintenance or configure position (pins 2 and 3).
6. Replace the cover and connect the power cord. See “Replacing the cover and connecting the cables.”
7. Restart the computer, leave it on for approximately 10 seconds. Turn off the computer by holding the power switch for approximately 5 seconds. The computer will turn off.
8. Repeat steps 2 through 4 on page 44.
9. Move the jumper back to the standard (pins 1 and 2).
10. Replace the cover and connect the power cord. See “Replacing the cover and connecting the cables.”

Replacing the cover and connecting the cables

After working with options, you need to install any removed parts, replace the cover, and reconnect any cables, including telephone lines and power cords. Also, depending on the option that is installed, you might need to confirm the updated information in the IBM Setup Utility program.

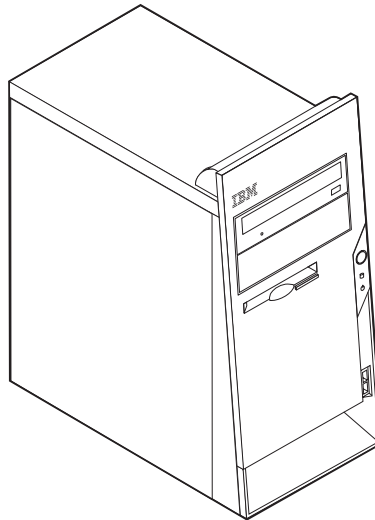
To replace the cover and connect cables to your computer:

1. Ensure that all components have been reassembled correctly and that no tools or loose screws are left inside your computer.
2. Clear any cables that might impede the replacement of the cover.
3. Position the cover over the chassis and pivot it down over the computer until it snaps into place.



4. Reconnect the external cables and power cords to the computer. See “Installing external options” on page 28.
5. To update the configuration, see Chapter 5, “Using the IBM Setup Utility program,” on page 99.

Chapter 3. Types 8196 and 8197



This chapter provides an introduction to the features and options that are available for your computer. You can expand the capabilities of your computer by adding memory, adapters, or drives. When installing an option, use these instructions along with the instructions that come with the option.

Important

Before you install or remove any option, read “Important safety information” on page v. These precautions and guidelines will help you work safely.

Features

This section provides an overview of the computer features and preinstalled software.

System information

The following information covers a variety of models. For a listing of the features for your specific model, refer to the IBM Setup Utility program. See Chapter 5, “Using the IBM Setup Utility program,” on page 99.

Microprocessor (varies by model type)

- Intel® Pentium® 4 processor with HyperThreading
- Intel Pentium 4 processor
- Intel Celeron® processor
- Internal cache (size varies by model type)

Memory

- Support for four dual inline memory modules (DIMMs)
- 512 KB flash memory for system programs

Internal drives

- 3.5-inch, 1.44 MB diskette drive
- Internal hard disk drive
- EIDE CD drive or DVD drive (some models)

Video subsystem

- An integrated graphics controller for a Video Graphics Array (VGA) monitor
- Accelerated graphics port (AGP) video adapter slot on the system board

Audio subsystem

- AC'97 with ADI 1981B Audio Codec
- Line in, line out, and microphone connectors on the rear panel

Connectivity

- 10/100 Mbps integrated Intel Ethernet controller that supports the Wake on LAN[®] feature (some models)
- 10/100/1000 Mbps integrated Intel Ethernet controller that supports the Wake on LAN feature (some models)
- Soft modem V.90/V.44 (some models)

System management features

- Remote Program Load (RPL) and Dynamic Host Configuration Protocol (DHCP)
- Wake on LAN
- Wake on Ring (in the IBM Setup Utility program, this feature is called Serial Port Ring Detect for an external modem)
- Remote Administration
- Automatic power-on startup
- System Management (SM) BIOS and SM software
- Ability to store POST hardware test results

Input/output features

- 25-pin, Extended Capabilities Port (ECP)/Extended Parallel Port (EPP)
- 9-pin serial connector
- Eight 4-pin, USB connectors (two on front panel and six on rear panel)
- PS/2[®] mouse connector
- PS/2 keyboard connector
- Ethernet connector
- VGA monitor connector
- Three audio connectors (line in, line out, and microphone)

Expansion

- Four drive bays
- Three 32-bit peripheral component interconnect (PCI) adapter slots
- One accelerated graphics port (AGP) expansion slot (some models)

Power

- 230 W power supply with manual voltage selection switch
- Automatic 50/60 Hz input frequency switching

- Advanced Power Management support
- Advanced Configuration and Power Interface (ACPI) support

Security features

- User and administrator passwords
- Support for the addition of a rope clip and lockable cable
- Support for the addition of an integrated cable lock
- Support for a padlock on the chassis
- Startup sequence control
- Startup without diskette drive, keyboard, or mouse
- Unattended start mode
- Diskette and hard disk I/O control
- Serial and parallel port I/O control
- Security profile by device

IBM preinstalled software

Your computer might come with preinstalled software. If it does, an operating system, device drivers to support built-in features, and other support programs are included.

Operating systems preinstalled (varies by model type)

Note: Not all countries or regions will have these operating systems.

- Microsoft® Windows XP Professional
- Microsoft Windows XP Home
- Microsoft Windows 2000

Operating systems (tested for compatibility)³

- Microsoft Windows NT® Workstation Version 4.0
- Microsoft Windows 98 Second Edition

3. The operating systems listed here are being tested for compatibility at the time this publication goes to press. Additional operating systems might be identified by IBM as compatible with your computer following the publication of this booklet. Corrections and additions to this list are subject to change. To determine if an operating system has been tested for compatibility, check the Web site of the operating system vendor.

Specifications

This section lists the physical specifications for your computer.

<p>Dimensions</p> <p>Height: 398 mm (15.67 in.) Width: 180 mm (7.08 in.) Depth: 402 mm (15.82 in.)</p> <p>Weight</p> <p>Minimum configuration as shipped: 7.6 kg (16.8 lb) Maximum configuration: 9.97 kg (22 lb)</p> <p>Environment</p> <p>Air temperature: System on: 10° to 35°C (50° to 95° F) System off: 10° to 43°C (50° to 110° F) Maximum altitude: 2134 m (7000 ft) Note: The maximum altitude, 2134 m (7000 ft), is the maximum altitude at which the specified air temperatures apply. At higher altitudes, the maximum air temperatures are lower than those specified.</p> <p>Humidity: System on: 8% to 80% System off: 8% to 80%</p> <p>Electrical input</p> <p>Input voltage: Low range: Minimum: 100 V ac Maximum: 127 V ac Input frequency range: 50-60 Hz Voltage switch setting: 115 V ac High range: Minimum: 200 V ac Maximum: 240 V ac Input frequency range: 50-60 Hz Voltage switch setting: 230 V ac</p> <p>Input kilovolt-amperes (kVA) (approximate): Minimum configuration as shipped: 0.08 kVA Maximum configuration: 0.30 kVA</p> <p>Note: Power consumption and heat output vary depending on the number and type of optional features installed and the power-management optional features in use.</p>	<p>Heat output (approximate) in British thermal units (Btu) per hour: Minimum configuration: 257 Btu/hr (75 watts) Maximum configuration: 785 Btu/hr (230 watts)</p> <p>Airflow</p> <p>Approximately 0.68 cubic meters every minute (24 cubic feet every minute) maximum</p> <p>Acoustical noise-emission values</p> <p>For microprocessors less than 2.8 GHz:</p> <p>Average sound-pressure levels: At operator position: Idle: 28 dBA Operating: 35 dBA At bystander position - 1 meter (3.3 ft): Idle: 25 dBA Operating: 33 dBA Declared (upper limit) sound-power levels: Idle: 4.0 bels Operating: 4.7 bels</p> <p>For microprocessors greater than or equal to 2.8 GHz:</p> <p>Average sound-pressure levels: At operator position: Idle: 33 dBA Operating: 35 dBA At bystander position - 1 meter (3.3 ft): Idle: 30 dBA Operating: 33 dBA Declared (upper limit) sound-power levels: Idle: 4.4 bels Operating: 4.7 bels</p> <p>Note: These levels were measured in controlled acoustical environments according to the procedures specified by the American National Standards Institute (ANSI) S12.10 and ISO 7779 and are reported in accordance with ISO 9296. Actual sound-pressure levels in a given location might exceed the average values stated because of room reflections and other nearby noise sources. The declared sound-power levels indicate an upper limit, below which a large number of computers will operate.</p>
--	--

Available options

The following are some available options:

- External options
 - Parallel port devices, such as printers and external drives
 - Serial port devices, such as external modems and digital cameras
 - Audio devices, such as external speakers for the sound system
 - USB devices, such as printers, joysticks, and scanners
 - Security device, such as a rope clip
 - Monitors
- Internal options
 - System memory, called dual inline memory modules (DIMMs)
 - Peripheral component interconnect (PCI) adapters
 - Accelerated graphics port (AGP) adapters
 - Internal drives, such as:
 - CD drive or DVD drive
 - Hard disk
 - Diskette drives and other removable media drives

For the latest information about available options, see the following World Wide Web pages:

- <http://www.ibm.com/pc/us/options/>
- <http://www.ibm.com/pc/support/>

You can also obtain information by calling the following telephone numbers:

- Within the United States, call 1-800-IBM-2YOU (1-800-426-2968), your IBM reseller, or IBM marketing representative.
- Within Canada, call 1-800-565-3344 or 1-800-IBM-4YOU.
- Outside the United States and Canada, contact your IBM reseller or IBM marketing representative.

Tools required

To install some options in your computer, you might need a flat-blade or Phillips screwdriver. Additional tools might be needed for certain options. See the instructions that come with the option.

Handling static-sensitive devices

Static electricity, although harmless to you, can seriously damage computer components and options.

When you add an option, do *not* open the static-protective package containing the option until you are instructed to do so.

When you handle options and other computer components, take these precautions to avoid static electricity damage:

- Limit your movement. Movement can cause static electricity to build up around you.
- Always handle components carefully. Handle adapters and memory modules by the edges. Never touch any exposed circuitry.

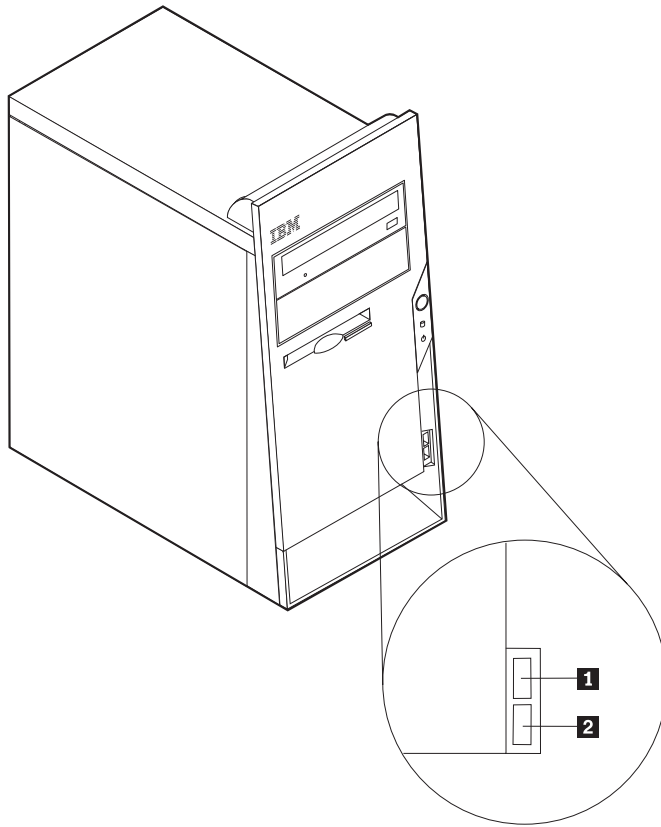
- Prevent others from touching components.
- When you install a new option, touch the static-protective package containing the option to a metal expansion-slot cover or other unpainted metal surface on the computer for at least two seconds. This reduces static electricity in the package and your body.
- When possible, remove the option and install it directly in the computer without setting the option down. When this is not possible, place the static-protective package that the option came in on a smooth, level surface and place the option on it.
- Do not place the option on the computer cover or other metal surface.

Installing external options

This section shows the various external connectors on your computer to which you can attach external options, such as external speakers, a printer, or a scanner. For some external options, you must install additional software in addition to making the physical connection. When adding an external option, use the information in this section to identify the required connector, and then use the instructions that come with the option to help you make the connection and install any software or device drivers that are required for the option.

Locating the connectors on the front of your computer

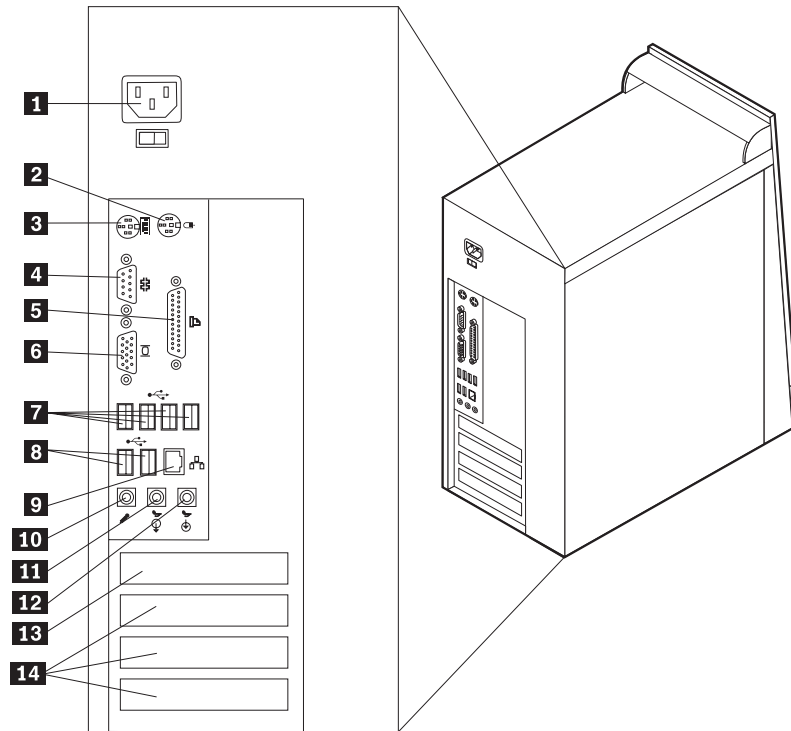
The following illustration shows the locations of the USB connectors on the front of the computer.



- 1** USB connector
- 2** USB connector

Locating the connectors on the rear of your computer

The following illustration shows the locations of the connectors on the rear of the computer.



- | | |
|--------------------------------|------------------------------------|
| 1 Power connector | 8 USB connectors |
| 2 Mouse connector | 9 Ethernet connector |
| 3 Keyboard connector | 10 Microphone connector |
| 4 Serial connector | 11 Audio line out connector |
| 5 Parallel connector | 12 Audio line in connector |
| 6 VGA monitor connector | 13 AGP slot |
| 7 USB connectors | 14 PCI slots |

Note: Some connectors on the rear of the computer are color-coded to help you to determine where to connect the cables on your computer.

Connector	Description
Mouse connector	Used to attach a mouse, trackball, or other pointing device that uses a standard mouse connector.
Keyboard connector	Used to attach a keyboard that uses a standard keyboard connector.
Serial connector	Used to attach an external modem, serial printer, or other devices that use a 9-pin serial connector.
Parallel connector	Used to attach a parallel printer, parallel scanner, or other devices that use a 25-pin parallel connector.
USB connectors	Used to attach a device that requires a Universal Serial Bus (USB) connection, such as a USB scanner or USB printer. If you have more than eight USB devices, you can purchase a USB hub, which you can use to connect additional USB devices.
Ethernet connector	Used to attach an Ethernet cable for a local area network (LAN). Note: To operate the computer within FCC Class B limits, use a Category 5 Ethernet cable.
Microphone connector	Used to attach a microphone to your computer when you want to record voice or other sounds on the hard disk if you use speech-recognition software.
Audio line out connector	Used to send audio signals from the computer to external devices, such as powered stereo speakers (speakers with built-in amplifiers), headphones, multimedia keyboards, or the audio line in connector on a stereo system or other external recording device.
Audio line in connector	Used to receive audio signals from an external audio device, such as a stereo system. When you attach an external audio device, a cable is connected between the audio line out connector of the device and the audio line in connector of the computer.

Obtaining device drivers

You can obtain device drivers for operating systems that are not preinstalled at <http://www.ibm.com/pc/support/> on the World Wide Web. Installation instructions are provided in README files with the device-driver files.

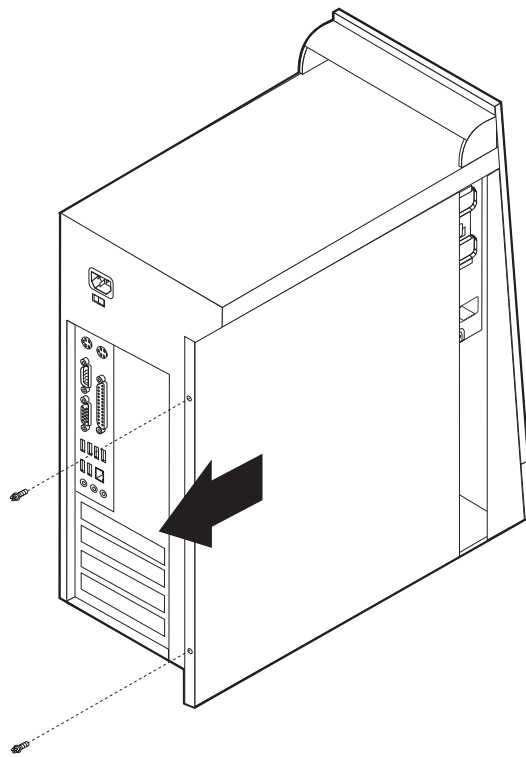
Removing the cover

Important

Read “Important safety information” on page v and “Handling static-sensitive devices” on page 51 before removing the cover.

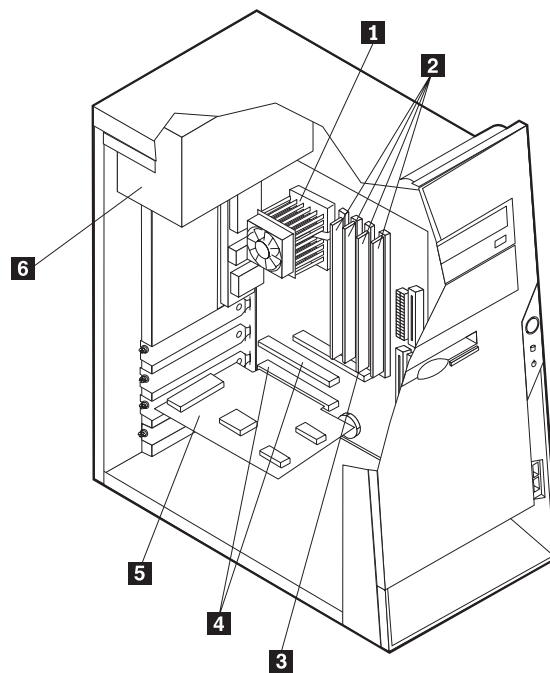
To remove the cover:

1. Shut down your operating system, remove any media (diskettes, CDs, or tapes) from the drives, and turn off all attached devices and the computer.
2. Unplug all power cords from electrical outlets.
3. Disconnect all cables attached to the computer. This includes power cords, input/output (I/O) cables, and any other cables that are connected to the computer.
4. Remove the two screws at the rear of the left side cover and slide the cover to the rear to remove.



Locating components

The following illustration will help you locate the various components in your computer.



1 Microprocessor and heat sink

2 DIMMs

3 AGP slot

4 PCI slots

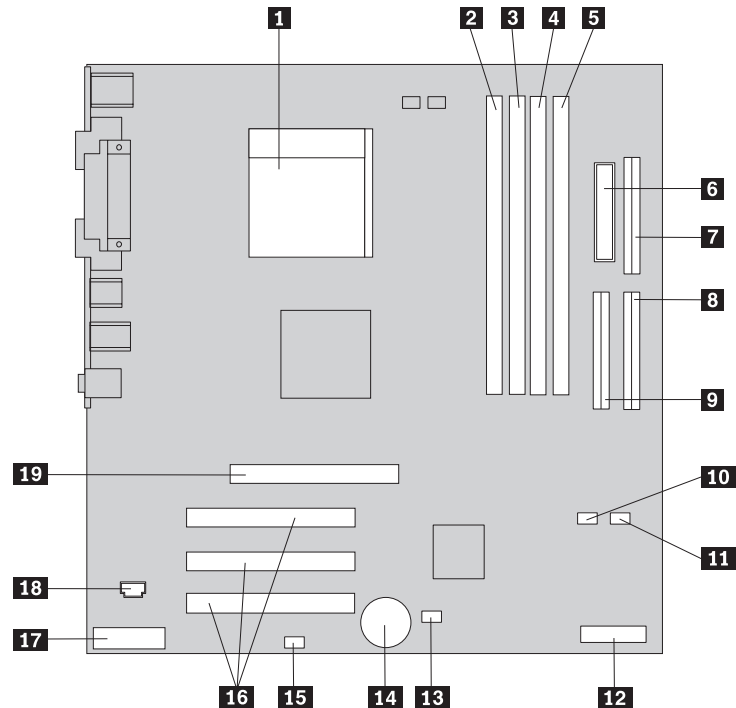
5 PCI adapter

6 Power supply

Identifying parts on the system board

The system board (sometimes called the *planar* or *motherboard*) is the main circuit board in your computer. It provides basic computer functions and supports a variety of devices that are IBM-installed or that you can install later.

The following illustration shows the locations of parts on the system board.



- | | |
|---------------------------------------|--|
| 1 Microprocessor | 11 SATA 2 IDE connector |
| 2 DIMM connector 1 | 12 Promise of value (POV) daughter card (some models) |
| 3 DIMM connector 2 | 13 Clear CMOS/Recovery jumper |
| 4 DIMM connector 3 | 14 Battery |
| 5 DIMM connector 4 | 15 SCSI LED connector |
| 6 Power connector | 16 PCI slots |
| 7 Diskette drive connector | 17 Front panel audio connector |
| 8 PATA primary IDE connector | 18 CD-ROM audio connector |
| 9 PATA secondary IDE connector | 19 AGP slot |
| 10 SATA 1 IDE connector | |

Installing memory

Your computer has four connectors for installing dual inline memory modules (DIMMs) that provide up to a maximum of 4.0 GB of system memory.

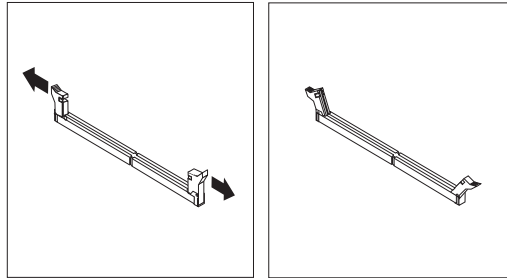
When installing DIMMs, the following rules apply:

- System memory is divided into two channels (channel A and B). DIMM connectors 1 and 2 are channel A, and DIMM connectors 3 and 4 are channel B.
- If DIMM connectors 1 and 3 (or 2 and 4) are filled with the same technology and size of memory, the system operates in dual channel mode.
- Use 2.5 V, 184-pin, 333 MHz double data rate synchronous dynamic random access memory (DDR SDRAM).
- Use 128 MB, 256 MB, 512 MB, or 1.0 GB (when available) DIMMs in any combination.
- DIMMs are 25.4 mm (1.0 inch) in height.

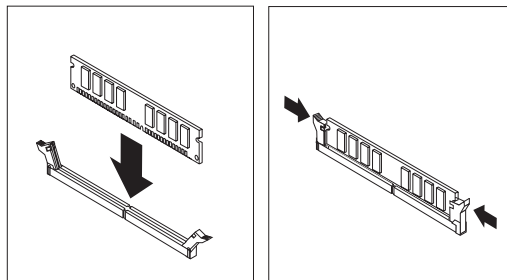
Note: Only DDR SDRAM DIMMs can be used.

To install a DIMM:

1. Remove the cover. See “Removing the cover” on page 56.
2. You might have to remove an adapter to gain access to the DIMM slots. See “Installing adapters” on page 60.
3. Locate the DIMM connectors. See “Identifying parts on the system board” on page 57.
4. Open the retaining clips.



5. Make sure the notches in the DIMM align with the tabs on the connector. Push or insert the DIMM straight down into the connector until the retaining clips close.



What to do next:

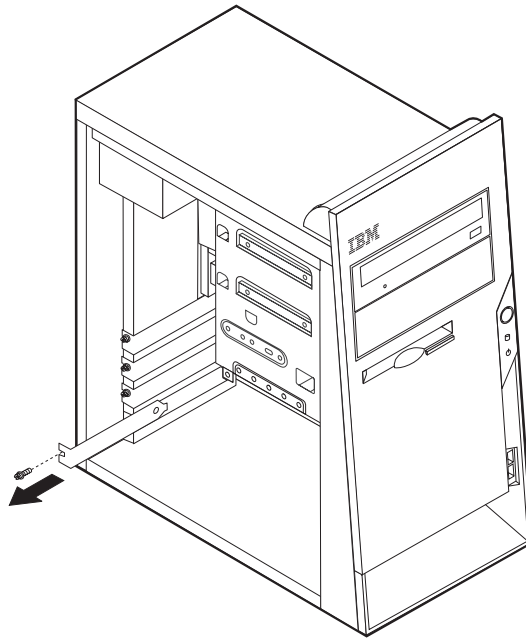
- Replace any adapters that were removed.
- To work with another option, go to the appropriate section.
- To complete the installation, go to “Replacing the cover and connecting the cables” on page 70.

Installing adapters

This section provides information and instructions for installing and removing adapters. Your computer has three expansion slots for PCI adapters. You can install an adapter up to 228 mm (9 inches) long.

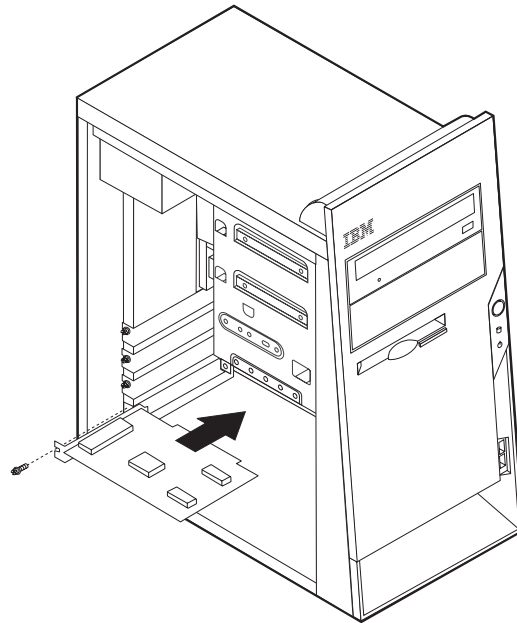
To install an adapter:

1. Remove the cover. See “Removing the cover” on page 56.
2. Remove the adapter slot cover for the appropriate expansion slot.



3. Remove the adapter from its static-protective package.
4. Install the adapter into the appropriate slot on the system board.

5. Secure the adapter with the screw as shown.



What to do next

- To work with another option, go to the appropriate section.
- To complete the installation, go to “Replacing the cover and connecting the cables” on page 70.

Installing internal drives

This section provides information and instructions for installing and removing internal drives.

Internal drives are devices that your computer uses to read and store data. You can add drives to your computer to increase storage capacity and to enable your computer to read other types of media. Some of the different drives that are available for your computer are:

- Parallel Advanced Technology Attachment (PATA) hard disk drives
- Serial ATA hard disk drives
- CD drives or DVD drives
- Removable media drives

Note: These different drives are also referred to as integrated drive electronics (IDE) drives.

Internal drives are installed in *bays*. In this book, the bays are referred to as bay 1, bay 2, and so on.

When you install an internal drive, it is important to note what type and size of drive that you can install in each bay. Also, it is important to correctly connect the internal drive cables to the installed drive.

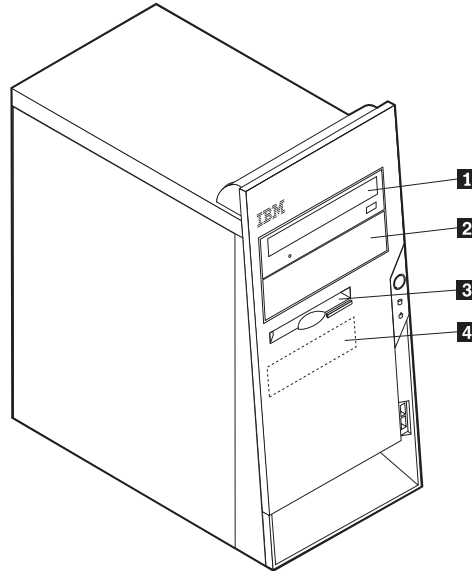
Drive specifications

Your computer comes with the following IBM-installed drives:

- A CD drive or DVD drive in bay 1
- A 3.5-inch diskette disk drive in bay 3
- A 3.5-inch hard drive in bay 4

Any bay that does not have a drive installed has a static shield and bay panel installed.

The following illustration shows the locations of the drive bays.



The following table describes some of the drives you can install in each bay and their height requirements.

1 Bay 1 - Maximum height: 43.0 mm (1.7 in.)	CD drive or DVD drive (preinstalled in some models) 5.25-inch hard disk drive
2 Bay 2 - Maximum height: 43.0 mm (1.7 in.)	5.25-inch hard disk drive 3.5-inch hard disk drive (requires a mounting bracket) CD drive DVD drive
3 Bay 3 - Maximum height: 25.8 mm (1.0 in.)	3.5-inch diskette drive (preinstalled)
4 Bay 4 - Maximum height: 25.8 mm (1.0 in.)	3.5-inch hard disk drive

Notes:

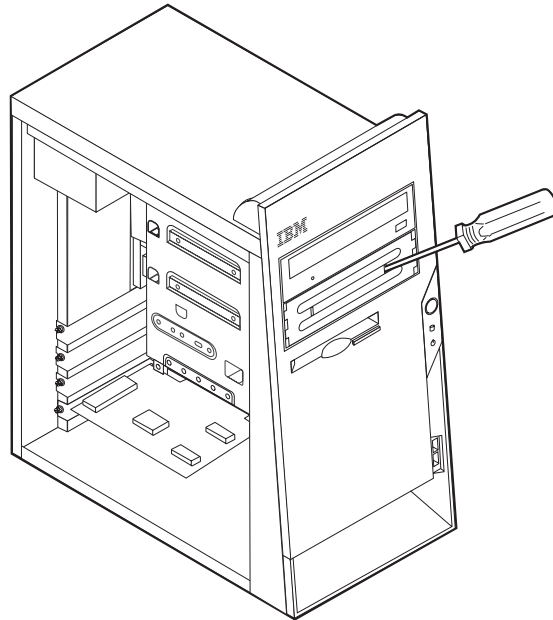
1. Drives that are greater than 43.0 mm (1.7 in.) high cannot be installed.
2. Install removable media (tape or CD) drives in the accessible bays (bay 1 or 2).

Installing a drive

To install an internal drive, follow these steps:

1. Remove the cover. See "Removing the cover" on page 56.
2. If your computer has a CD drive or DVD drive, you might need to remove the signal and power cables from the drive.

3. Remove the bay panel from the drive bay by inserting a flat-blade screwdriver at the end and gently prying it loose.
4. Remove the metal shield from the drive bay by inserting a flat-blade screwdriver into one of the slots and gently prying it loose.



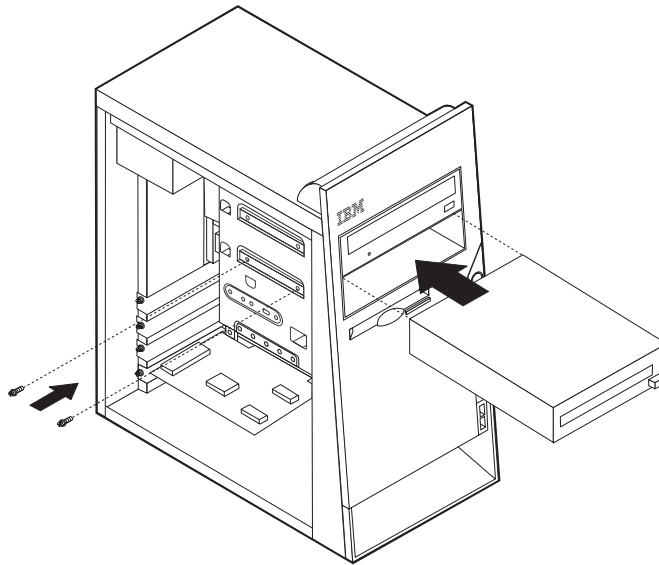
5. Make sure the drive that you are installing is set correctly as either a master or a slave device.

Note: A serial ATA hard disk drive does not need to be set as either a master or a slave device.

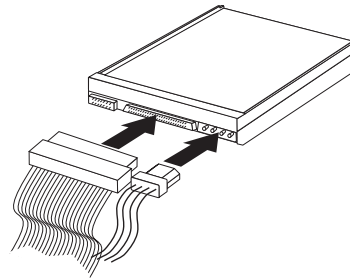
- If it is the first CD drive or DVD drive, set it as a master device.
- If it is an additional CD drive or DVD drive, set it as a slave device.
- If it is an additional parallel ATA hard disk drive, set it as a slave device.

Refer to the documentation that comes with your drive for master/slave jumper information.

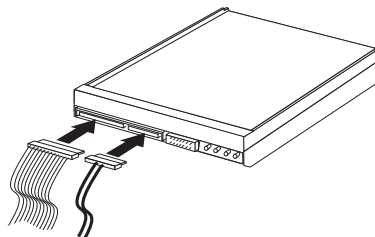
6. Install the drive into the bay. Align the screw holes and install two screws to secure the drive.



7. A hard disk drive requires two cables; a power cable that connects to the power supply and a signal cable that connects to the system board.
 - A parallel ATA hard disk drive requires a four-wire power cable.



- A serial ATA hard disk drive requires a five-wire power cable.



The steps to connect a drive are different depending on the type of drive you are connecting. Use one of the following procedures for your drive connection.

Connecting the first CD drive or DVD drive

1. Locate the three-connector signal cable that comes with your computer or with the new drive.
2. Locate the PATA secondary IDE connector on the system board. See “Identifying parts on the system board” on page 57.

3. Connect one end of the signal cable to the drive and the other to the PATA secondary IDE connector on the system board. To reduce electronic noise, use the connectors at the end of the cable only.
4. Your computer has extra power connectors for additional drives. Connect a power connector to the drive.
5. If you have a CD-ROM audio cable, connect it to the drive and to the system board. See “Identifying parts on the system board” on page 57.

Connecting an additional CD drive, DVD drive, or parallel ATA hard disk drive

An additional drive can be connected to either the PATA primary IDE or PATA secondary IDE connector.

1. Locate an available PATA IDE connector on the three-connector signal cable attached to either the PATA primary IDE or PATA secondary IDE connector on the system board. See “Identifying parts on the system board” on page 57.
2. Connect the extra connector in the signal cable to the new drive.
3. Your computer has extra power connectors for additional drives. Connect a power connector to the drive.

Connecting a serial ATA hard disk drive

A serial hard disk drive can be connected to either the SATA 1 IDE or SATA 2 IDE connector.

1. Locate the signal cable that comes with the new drive.
2. Locate an available SATA IDE connector on the system board. See “Identifying parts on the system board” on page 57.
3. Connect one end of the signal cable to the drive and the other to an available SATA IDE connector on the system board.
4. Your computer has extra power connectors for additional drives. Connect a power connector to the drive.

What to do next

- To work with another option, go to the appropriate section.
- To complete the installation, go to “Replacing the cover and connecting the cables” on page 70.

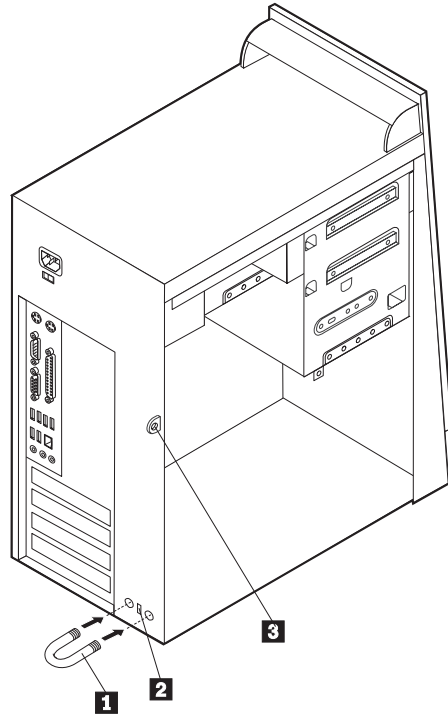
Installing security features

To help prevent hardware theft and unauthorized access to your computer, several security lock options are available. The following sections will help you identify and install the various types of locks that might be available for your computer. In addition to physical locks, unauthorized use of your computer can be prevented by a software lock that locks the keyboard until a correct password is typed in.

Make sure that any security cables you install do not interfere with other computer cables.

Identifying security locks

The following illustration shows the locations of the security features on the rear of the computer.



- 1** Rope clip
- 2** Integrated cable lock
- 3** Padlock loop

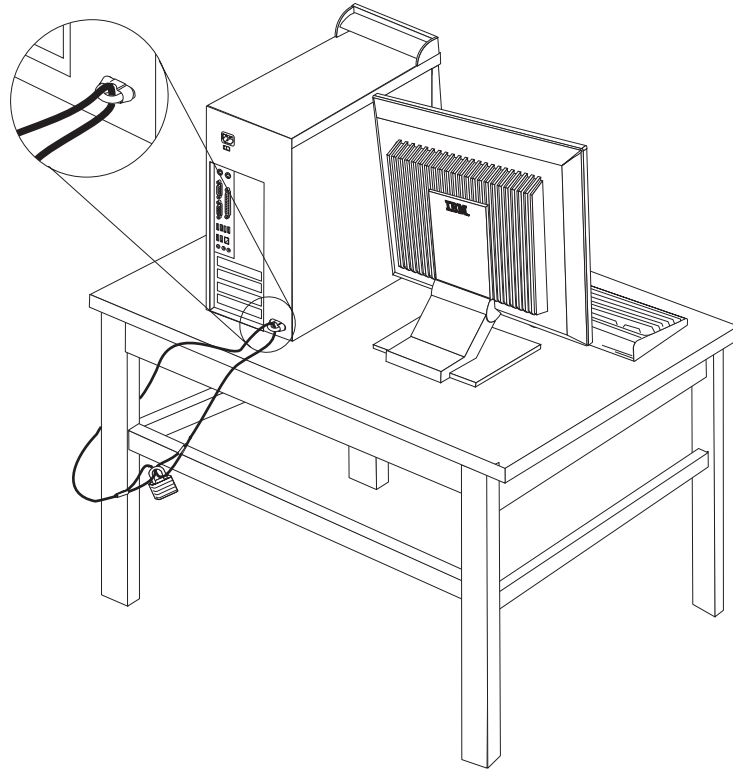
Rope clip

Using a 3/16-inch or 5-mm rope clip (sometimes referred to as a U-bolt), a steel security cable, and a padlock can secure your computer to a desk, table, or other non-permanent fixture. For computers designed to accommodate the rope clip, knockouts at the rear of the chassis are provided.

To install a rope clip:

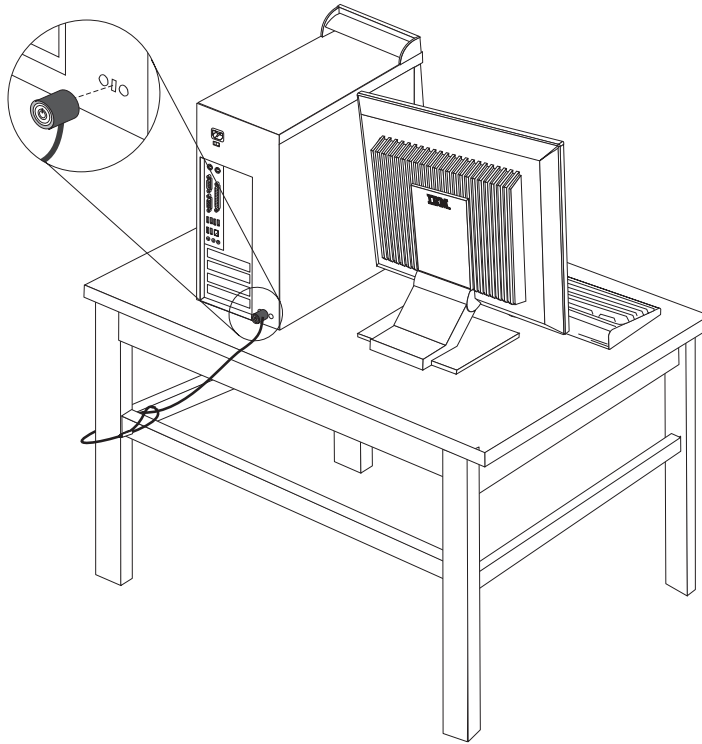
1. Remove the cover. See “Removing the cover” on page 56.
2. Use a tool, such as a screwdriver, to remove the two metal knockouts.
3. Insert the rope clip through the rear panel; then attach and tighten the nuts with an appropriately sized or adjustable wrench.
4. Replace the computer cover. For more information, see “Replacing the cover and connecting the cables” on page 70.

5. Thread the cable through the rope clip and around an object that is not a part of or permanently secured to the building structure or foundation, and from which it cannot be removed; then fasten the cable ends together with a lock.



Integrated cable lock

With an integrated cable lock (sometimes referred to as a Kensington lock), you can secure your computer to a desk, table, or other non-permanent fixture. The cable lock attaches to a security slot at the rear of your computer and is operated with a key. This is the same type of lock used with many laptop computers. You can order a cable lock directly from IBM. Go to <http://www.pc.ibm.com/support> and search on *Kensington*.



Password protection

To deter unauthorized use of your computer, you can use the IBM Setup Utility program to set a password. When you turn on your computer you are prompted to type the password to unlock the keyboard for normal use.

What to do next

- To work with another option, go to the appropriate section.
- To complete the installation, go to "Replacing the cover and connecting the cables" on page 70.

Changing the battery

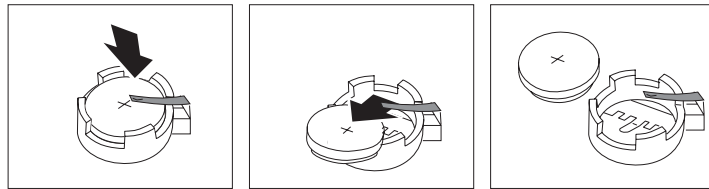
Your computer has a special type of memory that maintains the date, time, and settings for built-in features, such as parallel-port assignments (configuration). A battery keeps this information active when you turn off the computer.

The battery normally requires no charging or maintenance throughout its life; however, no battery lasts forever. If the battery fails, the date, time, and configuration information (including passwords) are lost. An error message is displayed when you turn on the computer.

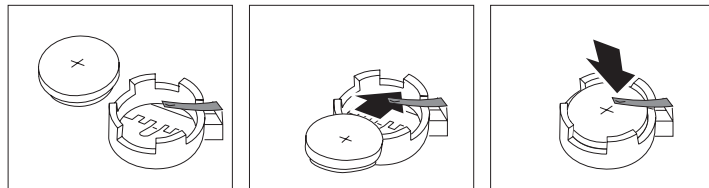
Refer to “Lithium battery notice” on page x for information about replacing and disposing of the battery.

To change the battery:

1. Turn off the computer and all attached devices.
2. Unplug the power cord and remove the cover. See “Removing the cover” on page 56.
3. Locate the battery. See “Identifying parts on the system board” on page 57.
4. If necessary, remove any adapters that impede access to the battery. See “Installing adapters” on page 60 for more information.
5. Remove the old battery.



6. Install the new battery.



7. Replace any adapters that were removed to gain access to the battery. See “Installing adapters” on page 60 for instructions for replacing adapters.
8. Replace the cover, and plug in the power cord. See “Replacing the cover and connecting the cables” on page 70.

Note: When the computer is turned on for the first time after battery replacement, an error message might be displayed. This is normal after replacing the battery.

9. Turn on the computer and all attached devices.
10. Use the IBM Setup Utility program to set the date and time and any passwords.

Erasing a lost or forgotten password (clearing CMOS)

This section applies to lost or forgotten passwords. For more information about lost or forgotten passwords, go to Access IBM.

Note: Some computer models might have a POV daughter card installed on the system board. If this is the case, the password is stored in an EEPROM on the POV card and can not be erased. See “Identifying parts on the system board” on page 57 for the location of the POV daughter card.

To erase a forgotten password:

1. Turn off the computer and all attached devices.
2. Remove the cover. See "Removing the cover" on page 56.
3. Locate the Clear CMOS/Recovery jumper on the system board. See "Identifying parts on the system board" on page 57.
4. If necessary, see "Installing adapters" on page 60 to remove any adapters that impede access to the Clear CMOS/Recovery jumper.
5. Move the jumper from the standard position (pins 1 and 2) to the maintenance or configure position (pins 2 and 3).
6. Replace the cover and connect the power cord. See "Replacing the cover and connecting the cables."
7. Restart the computer, leave it on for approximately 10 seconds. Turn off the computer by holding the power switch for approximately 5 seconds. The computer will turn off.
8. Repeat steps 2 through 4 on page 70.
9. Move the jumper back to the standard (pins 1 and 2).
10. Replace the cover and connect the power cord. See "Replacing the cover and connecting the cables."

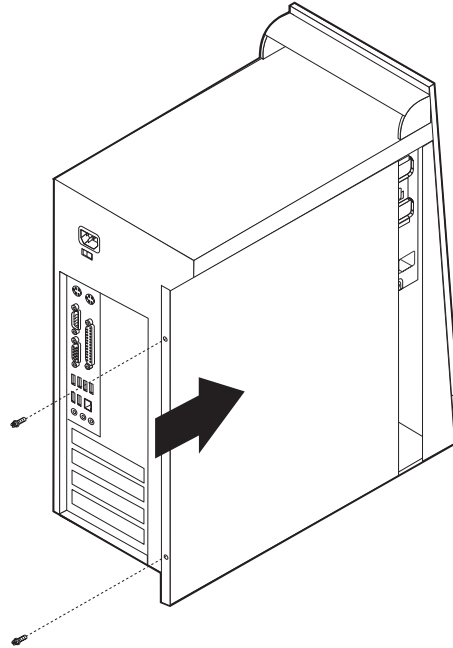
Replacing the cover and connecting the cables

After working with options, you need to install any removed parts, replace the cover, and reconnect any cables, including telephone lines and power cords. Also, depending on the option that is installed, you might need to confirm the updated information in the IBM Setup Utility program.

To replace the cover and connect cables to your computer:

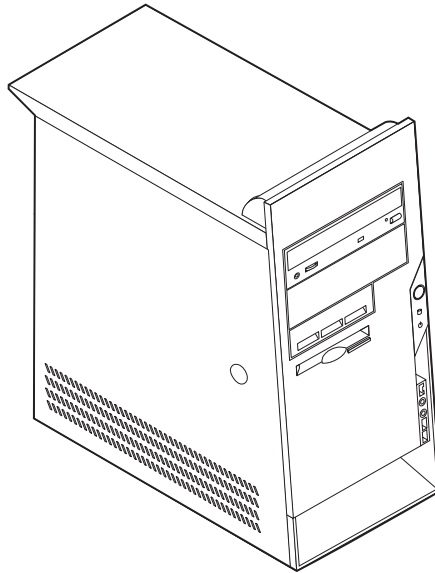
1. Ensure that all components have been reassembled correctly and that no tools or loose screws are left inside your computer.
2. Clear any cables that might impede the replacement of the cover.

3. Position the cover on the chassis so that the guides on the top and bottom of the cover engage the chassis and push the cover to the closed position. Insert the screws that secure the cover.



4. Reconnect the external cables and power cords to the computer. See “Installing external options” on page 52.
5. To update the configuration, see Chapter 5, “Using the IBM Setup Utility program,” on page 99.

Chapter 4. Types 8189, 8190, 8194, 8195, 8415, 8432, and 8433



This chapter provides an introduction to the features and options that are available for your computer. You can expand the capabilities of your computer by adding memory, adapters, or drives. When installing an option, use these instructions along with the instructions that come with the option.

Important

Before you install or remove any option, read “Important safety information” on page v. These precautions and guidelines will help you work safely.

Features

This section provides an overview of the computer features and preinstalled software.

System information

The following information covers a variety of models. For a listing of the features for your specific model, refer to the IBM Setup Utility program. See Chapter 5, “Using the IBM Setup Utility program,” on page 99.

Microprocessor (varies by model type)

- Intel® Pentium® 4 processor with HyperThreading
- Intel Pentium 4 processor
- Intel Celeron® processor
- Internal cache (size varies by model type)

Memory

- Support for four dual inline memory modules (DIMMs)

- 512 KB flash memory for system programs

Internal drives

- 3.5-inch, 1.44 MB diskette drive
- Internal hard disk drive
- EIDE CD drive or DVD drive

Video subsystem

- An integrated graphics controller for a Video Graphics Array (VGA) monitor
- Accelerated graphics port (AGP) video adapter slot on the system board

Audio subsystem

- AC'97 with ADI 1981B Audio Codec
- Line in, line out, and microphone connectors on the rear panel

Connectivity

- 10/100 Mbps integrated Intel Ethernet controller that supports the Wake on LAN[®] feature (some models)
- 10/100/1000 Mbps integrated Intel Ethernet controller that supports the Wake on LAN feature (some models)
- Soft modem V.90/V.44 (some models)

System management features

- Remote Program Load (RPL) and Dynamic Host Configuration Protocol (DHCP)
- Wake on LAN
- Wake on Ring (in the IBM Setup Utility program, this feature is called Serial Port Ring Detect for an external modem)
- Remote Administration
- Automatic power-on startup
- System Management (SM) BIOS and SM software
- Ability to store POST hardware test results

Input/output features

- 25-pin, Extended Capabilities Port (ECP)/Extended Parallel Port (EPP)
- 9-pin serial connector
- Eight 4-pin, USB connectors (two on front panel and six on rear panel)
- PS/2[®] mouse connector
- PS/2 keyboard connector
- Ethernet connector
- VGA monitor connector
- Three audio connectors (line in, line out, and microphone)
- IEEE 1394 connector (some models)
- Front connectors for microphone and headphone (some models)

Expansion

- Five drive bays
- Three 32-bit peripheral component interconnect (PCI) adapter slots
- One accelerated graphics port (AGP) expansion slot

Power

- 230 W power supply with manual voltage selection switch
- Automatic 50/60 Hz input frequency switching
- Advanced Power Management support
- Advanced Configuration and Power Interface (ACPI) support

Security features

- User and administrator passwords
- Support for the addition of a rope clip and lockable cable
- Support for the addition of an integrated cable lock
- Startup sequence control
- Startup without diskette drive, keyboard, or mouse
- Unattended start mode
- Diskette and hard disk I/O control
- Serial and parallel port I/O control
- Security profile by device

IBM preinstalled software

Your computer might come with preinstalled software. If it does, an operating system, device drivers to support built-in features, and other support programs are included.

Operating systems (preinstalled) (varies by model type)

Note: Not all countries or regions will have these operating systems.

- Microsoft® Windows XP Home
- Microsoft Windows XP Professional
- Microsoft Windows 2000

Operating systems (tested for compatibility)⁴

- Microsoft Windows NT® Workstation Version 4.0
- Microsoft Windows 98 Second Edition

4. The operating systems listed here are being tested for compatibility at the time this publication goes to press. Additional operating systems might be identified by IBM as compatible with your computer following the publication of this booklet. Corrections and additions to this list are subject to change. To determine if an operating system has been tested for compatibility, check the Web site of the operating system vendor.

Specifications

This section lists the physical specifications for your computer.

<p>Dimensions</p> <p>Height: 413 mm (16.25 in.) Width: 191 mm (7.5 in.) Depth: 406 mm (16 in.)</p> <p>Weight</p> <p>Minimum configuration as shipped: 9.1 kg (20 lb) Maximum configuration: 11.4 kg (25.0 lb)</p> <p>Environment</p> <p>Air temperature: System on: 10° to 35°C (50° to 95° F) System off: 10° to 43°C (50° to 110° F) Maximum altitude: 2134 m (7000 ft) Note: The maximum altitude, 2134 m (7000 ft), is the maximum altitude at which the specified air temperatures apply. At higher altitudes, the maximum air temperatures are lower than those specified.</p> <p>Humidity: System on: 8% to 80% System off: 8% to 80%</p> <p>Electrical input</p> <p>Input voltage: Low range: Minimum: 100 V ac Maximum: 127 V ac Input frequency range: 50-60 Hz Voltage switch setting: 115 V ac High range: Minimum: 200 V ac Maximum: 240 V ac Input frequency range: 50-60 Hz Voltage switch setting: 230 V ac Input kilovolt-amperes (kVA) (approximate): Minimum configuration as shipped: 0.08 kVA Maximum configuration: 0.3 kVA</p> <p>Note: Power consumption and heat output vary depending on the number and type of optional features installed and the power-management optional features in use.</p>	<p>Heat output (approximate) in British thermal units (Btu) per hour: Minimum configuration: 257 Btu/hr (75 watts) Maximum configuration: 785 Btu/hr (230 watts)</p> <p>Airflow</p> <p>Approximately 0.68 cubic meters per minute (24 cubic feet per minute) maximum</p> <p>Acoustical noise-emission values</p> <p>Average sound-pressure levels: At operator position: Idle: 28 dBA Operating: 30 dBA At bystander position - 1 meter (3.3 ft): Idle: 26 dBA Operating: 29 dBA Declared (upper limit) sound-power levels: Idle: 4.1 bels Operating: 4.3 bels</p> <p>Note: These levels were measured in controlled acoustical environments according to the procedures specified by the American National Standards Institute (ANSI) S12.10 and ISO 7779 and are reported in accordance with ISO 9296. Actual sound-pressure levels in a given location might exceed the average values stated because of room reflections and other nearby noise sources. The declared sound-power levels indicate an upper limit, below which a large number of computers will operate.</p>
--	---

Available options

The following are some available options:

- External options
 - Parallel port devices, such as printers and external drives
 - Serial port devices, such as external modems and digital cameras
 - Audio devices, such as external speakers for the sound system
 - USB devices, such as printers, joysticks, and scanners
 - Security device, such as a rope clip
 - Monitors
 - IEEE 1394 devices (requires an IEEE 1394 adapter)
- Internal options
 - System memory, called dual inline memory modules (DIMMs)
 - Peripheral component interconnect (PCI) adapters
 - Accelerated graphics port (AGP) adapters
 - Internal drives, such as:
 - CD drive and DVD drive
 - Hard disk drive
 - Diskette drives and other removable media drives

For the latest information about available options, see the following World Wide Web pages:

- <http://www.ibm.com/pc/us/options/>
- <http://www.ibm.com/pc/support/>

You can also obtain information by calling the following telephone numbers:

- Within the United States, call 1-800-IBM-2YOU (1-800-426-2968), your IBM reseller, or IBM marketing representative.
- Within Canada, call 1-800-565-3344 or 1-800-IBM-4YOU.
- Outside the United States and Canada, contact your IBM reseller or IBM marketing representative.

Tools required

To install some options in your computer, you might need a flat-blade or Phillips screwdriver. Additional tools might be needed for certain options. See the instructions that come with the option.

Handling static-sensitive devices

Static electricity, although harmless to you, can seriously damage computer components and options.

When you add an option, do *not* open the static-protective package containing the option until you are instructed to do so.

When you handle options and other computer components, take these precautions to avoid static electricity damage:

- Limit your movement. Movement can cause static electricity to build up around you.

- Always handle components carefully. Handle adapters and memory modules by the edges. Never touch any exposed circuitry.
- Prevent others from touching components.
- When you install a new option, touch the static-protective package containing the option to a metal expansion-slot cover or other unpainted metal surface on the computer for at least two seconds. This reduces static electricity in the package and your body.
- When possible, remove the option and install it directly in the computer without setting the option down. When this is not possible, place the static-protective package that the option came in on a smooth, level surface and place the option on it.
- Do not place the option on the computer cover or other metal surface.

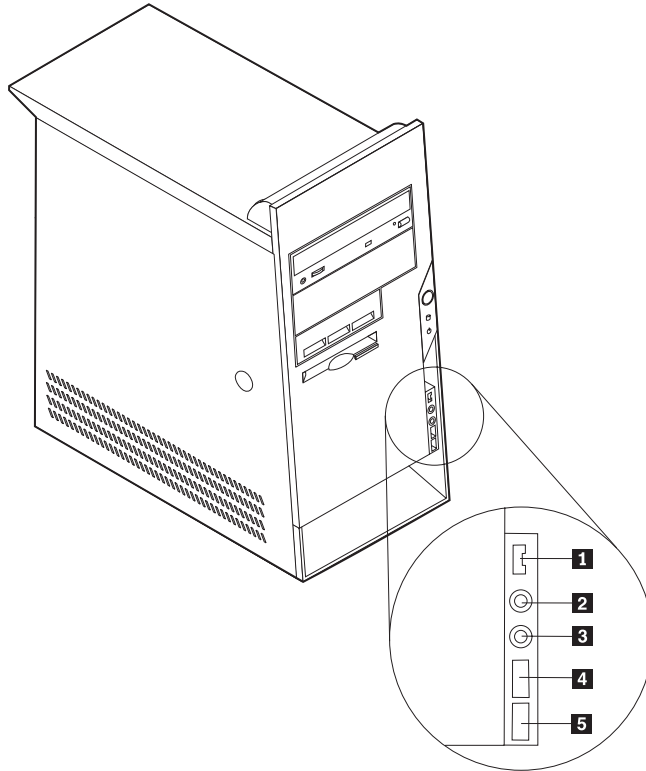
Installing external options

This section shows the various external connectors on your computer to which you can attach external options, such as external speakers, a printer, or a scanner. For some external options, you must install additional software in addition to making the physical connection. When adding an external option, use the information in this section to identify the required connector, and then use the instructions that come with the option to help you make the connection and install any software or device drivers that are required for the option.

Locating the connectors on the front of your computer

The following illustration shows the locations of the connectors on the front of the computer.

Note: Not all computer models will have the following connectors.

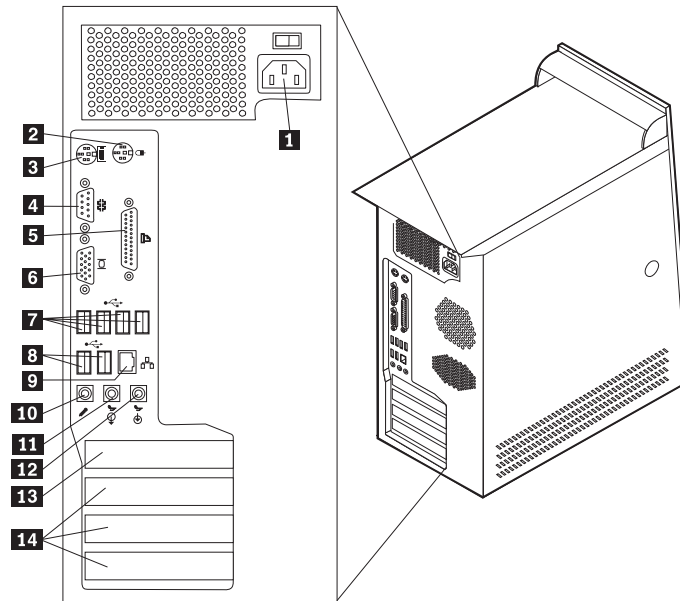


- 1** IEEE 1394 connector
- 2** Microphone connector
- 3** Headphone connector

- 4** USB connector
- 5** USB connector

Locating the connectors on the rear of your computer

The following illustration shows the locations of the connectors on the rear of the computer.



- | | |
|--------------------------------|------------------------------------|
| 1 Power connector | 8 USB connectors |
| 2 Mouse connector | 9 Ethernet connector |
| 3 Keyboard connector | 10 Microphone connector |
| 4 Serial connector | 11 Audio line out connector |
| 5 Parallel connector | 12 Audio line in connector |
| 6 VGA monitor connector | 13 AGP slot |
| 7 USB connectors | 14 PCI slots |

Note: Some connectors on the rear of the computer are color-coded to help you to determine where to connect the cables on your computer.

Connector	Description
Mouse connector	Used to attach a mouse, trackball, or other pointing device that uses a standard mouse connector.
Keyboard connector	Used to attach a keyboard that uses a standard keyboard connector.
Serial connector	Used to attach an external modem, serial printer, or other devices that use a 9-pin serial connector.
Parallel connector	Used to attach a parallel printer, parallel scanner, or other devices that use a 25-pin parallel connector.
USB connectors	Used to attach a device that requires a Universal Serial Bus (USB) connection, such as a USB scanner or USB printer. If you have more than eight USB devices, you can purchase a USB hub, which you can use to connect additional USB devices.
Ethernet connector	Used to attach an Ethernet cable for a local area network (LAN). Note: To operate the computer within FCC Class B limits, use a Category 5 Ethernet cable.
Microphone connector	Used to attach a microphone to your computer when you want to record voice or other sounds on the hard disk if you use speech-recognition software.
Audio line out connector	Used to send audio signals from the computer to external devices, such as powered stereo speakers (speakers with built-in amplifiers), headphones, multimedia keyboards, or the audio line in connector on a stereo system or other external recording device.
Audio line in connector	Used to receive audio signals from an external audio device, such as a stereo system. When you attach an external audio device, a cable is connected between the audio line out connector of the device and the audio line in connector of the computer.

Obtaining device drivers

You can obtain device drivers for operating systems that are not preinstalled at <http://www.ibm.com/pc/support/> on the World Wide Web. Installation instructions are provided in README files with the device-driver files.

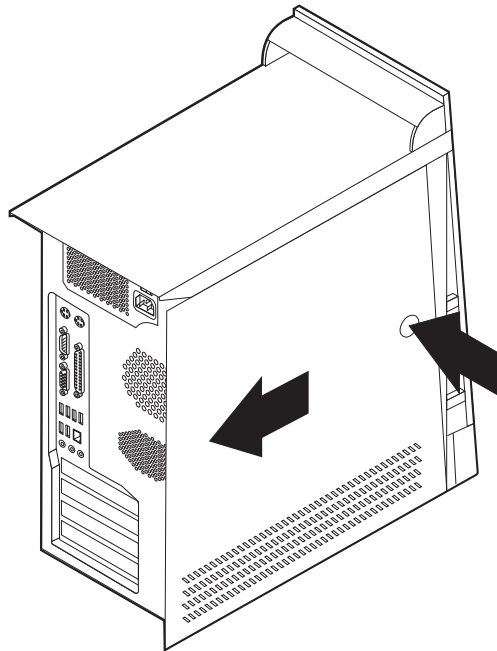
Removing the cover

Important

Read “Important safety information” on page v and “Handling static-sensitive devices” on page 77 before removing the cover.

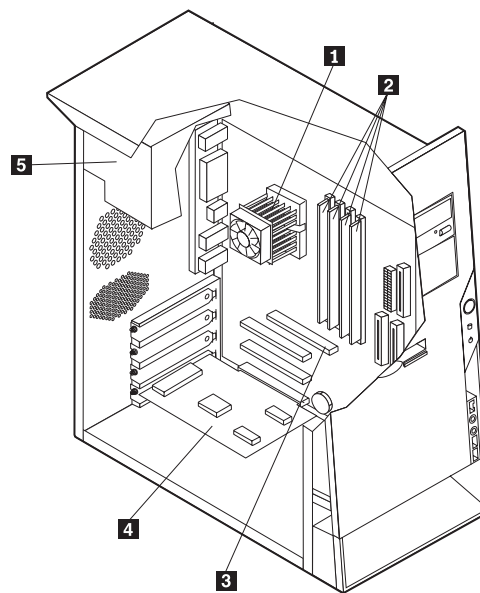
To remove the cover:

1. Shut down your operating system, remove any media (diskettes, CDs, or tapes) from the drives, and turn off all attached devices and the computer.
2. Unplug all power cords from electrical outlets.
3. Disconnect all cables attached to the computer. This includes power cords, input/output (I/O) cables, and any other cables that are connected to the computer.
4. Press the cover-release button on the left side cover and remove the cover.



Locating components

The following illustration will help you locate the various components in your computer.



1 Microprocessor and heat sink

2 DIMMs

3 AGP slot

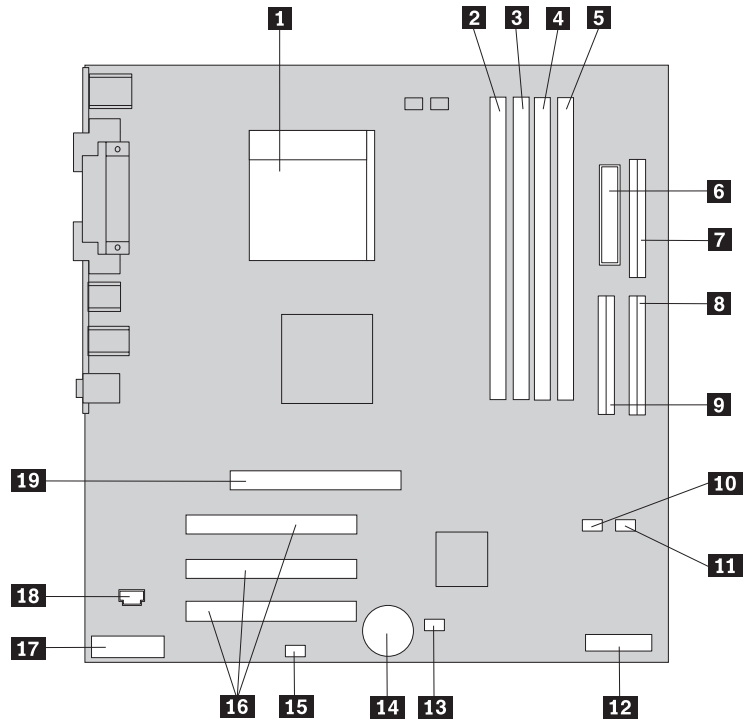
4 PCI adapter

5 Power supply

Identifying parts on the system board

The system board (sometimes called the *planar* or *motherboard*) is the main circuit board in your computer. It provides basic computer functions and supports a variety of devices that are IBM-installed or that you can install later.

The following illustration shows the locations of parts on the system board.



- | | |
|---------------------------------------|--|
| 1 Microprocessor | 11 SATA 2 IDE connector |
| 2 DIMM connector 1 | 12 Promise of value (POV) daughter card (some models) |
| 3 DIMM connector 2 | 13 Clear CMOS/Recovery jumper |
| 4 DIMM connector 3 | 14 Battery |
| 5 DIMM connector 4 | 15 SCSI LED connector |
| 6 Power connector | 16 PCI slots |
| 7 Diskette drive connector | 17 Front panel audio connector |
| 8 PATA primary IDE connector | 18 CD-ROM audio connector |
| 9 PATA secondary IDE connector | 19 AGP slot |
| 10 SATA 1 IDE connector | |

Installing memory

Your computer has four connectors for installing dual inline memory modules (DIMMs) that provide up to a maximum of 4.0 GB of system memory.

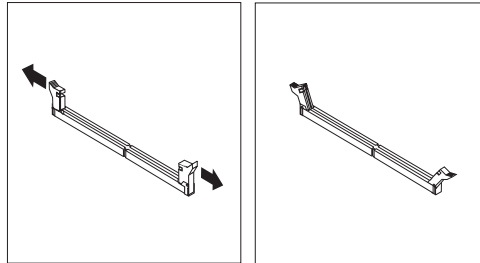
When installing DIMMs, the following rules apply:

- System memory is divided into two channels (channel A and B). DIMM connectors 1 and 2 are channel A, and DIMM connectors 3 and 4 are channel B.
- If DIMM connectors 1 and 3 (or 2 and 4) are filled with the same technology and size of memory, the system operates in dual channel mode.
- Use 2.5 V, 184-pin, 333 MHz double data rate synchronous dynamic random access memory (DDR SDRAM).
- Use 128 MB, 256 MB, 512 MB or 1 GB (when available) DIMMs in any combination.
- DIMMs are 25.4 mm (1.0 inch) in height.

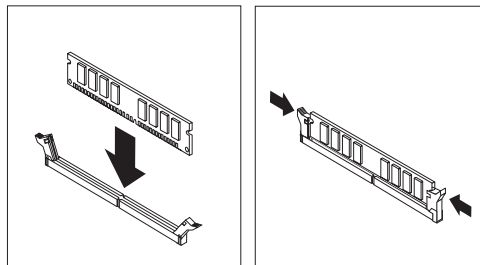
Note: Only DDR SDRAM DIMMs can be used.

To install a DIMM:

1. Remove the cover. See “Removing the cover” on page 82.
2. You might have to remove an adapter to gain access to the DIMM slots. See “Installing adapters.”
3. Locate the DIMM connectors. See “Identifying parts on the system board” on page 83.
4. Open the retaining clips.



5. Make sure the notches in the DIMM align with the tabs on the connector. Push or insert the DIMM straight down into the connector until the retaining clips close.



What to do next:

- Replace any adapters that were removed.
- To work with another option, go to the appropriate section.
- To complete the installation, go to “Replacing the cover and connecting the cables” on page 96.

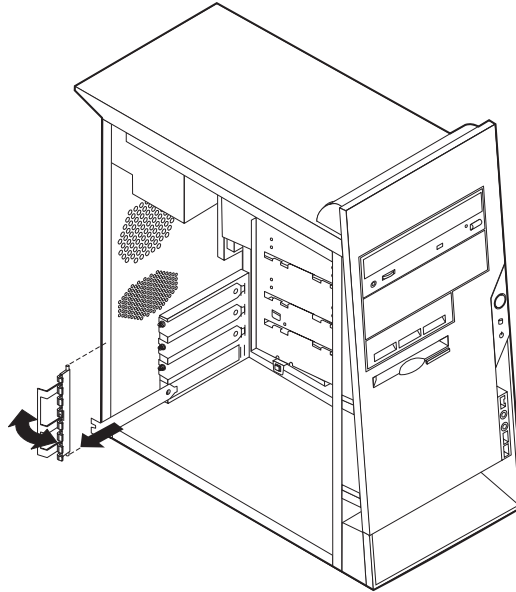
Installing adapters

This section provides information and instructions for installing and removing adapters. Your computer has three expansion slots for PCI adapters and one slot used for an AGP adapter. You can install an adapter up to 228 mm (9 inches) long.

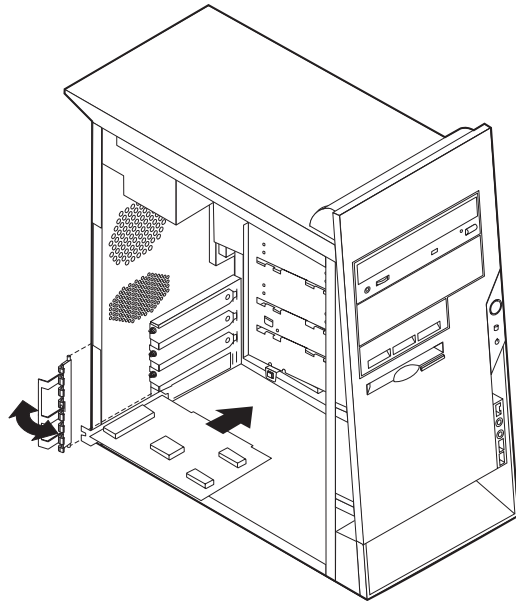
To install an adapter:

1. Remove the cover. See “Removing the cover” on page 82.

2. Remove the adapter-slot-cover latch and the slot cover for the appropriate expansion slot.



3. Remove the adapter from its static-protective package.
4. Install the adapter into the appropriate slot on the system board.
5. Install the adapter-slot-cover latch.



What to do next

- To work with another option, go to the appropriate section.
- To complete the installation, go to “Replacing the cover and connecting the cables” on page 96.

Installing internal drives

This section provides information and instructions for installing and removing internal drives.

Internal drives are devices that your computer uses to read and store data. You can add drives to your computer to increase storage capacity and to enable your computer to read other types of media. Some of the different drives that are available for your computer are:

- Parallel Advanced Technology Attachment (PATA) hard disk drives
- Serial ATA hard disk drives
- CD drives or DVD drives
- Removable media drives

Note: These different drives are also referred to as integrated drive electronics (IDE) drives.

Internal drives are installed in *bays*. In this book, the bays are referred to as bay 1, bay 2, and so on.

When you install an internal drive, it is important to note what type and size of drive that you can install in each bay. Also, it is important to correctly connect the internal drive cables to the installed drive.

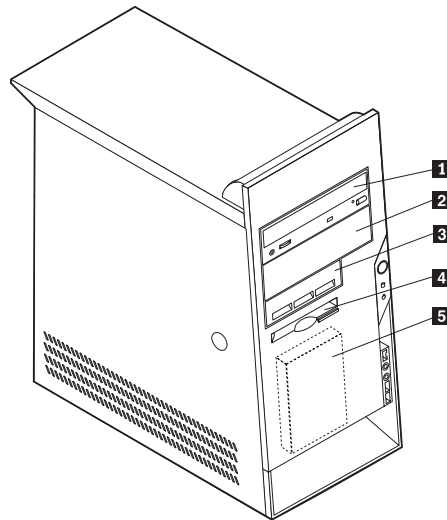
Drive specifications

Your computer comes with the following IBM-installed drives:

- A CD drive or DVD drive in bay 1 (some models)
- A 3.5-inch diskette disk drive in bay 4
- A 3.5-inch hard drive in bay 5

Any bay that does not have a drive installed has a static shield and bay panel installed.

The following illustration shows the locations of the drive bays.



The following list describes some of the drives you can install in each bay and their height requirements:

- | | |
|--|--|
| 1 Bay 1 - Maximum height: 43.0 mm (1.7 in.) | CD drive or DVD drive (preinstalled in some models) |
| 2 Bay 2 - Maximum height: 43.0 mm (1.7 in.) | 5.25-inch hard disk drive |
| 3 Bay 3 - Maximum height: 25.8 mm (1.0 in.) | 5.25-inch hard disk drive |
| 4 Bay 4 - Maximum height: 25.8 mm (1.0 in.) | 3.5-inch hard disk drive (requires a mounting bracket) |
| 5 Bay 5 - Maximum height: 25.8 mm (1.0 in.) | CD drive |
| | DVD drive |
| | 3.5-inch hard disk drive |
| | 3.5-inch diskette drive (preinstalled) |
| | Hard disk drive (preinstalled) |

Notes:

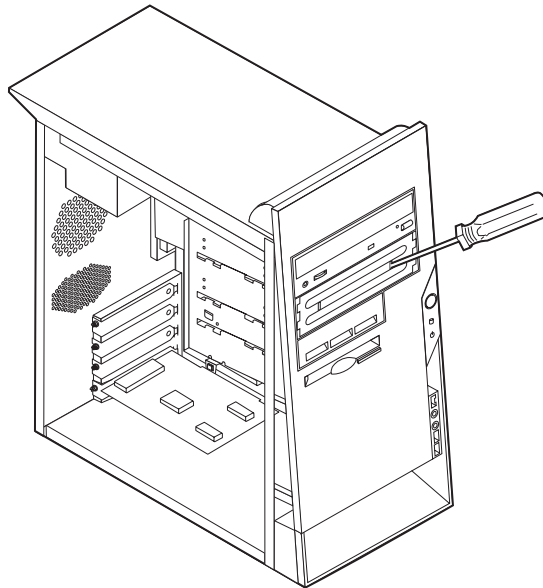
1. Drives that are greater than 43.0 mm (1.7 in.) high cannot be installed.
2. Install removable media (tape or CD) drives in the accessible bays (bay 1 or 2).

Installing a drive

To install an internal drive, follow these steps:

1. Remove the cover. See "Removing the cover" on page 82.
2. If your computer has a CD drive or DVD drive, you might need to remove the signal and power cables from the drive.
3. Remove the bay panel from the drive bay by inserting a flat-blade screwdriver at the end and gently prying it loose.

4. Remove the metal shield from the drive bay by inserting a flat-blade screwdriver into one of the slots and gently prying it loose.



5. Make sure the drive that you are installing is set correctly as either a master or a slave device.

Note: A serial ATA hard disk drive does not need to be set as either a master or a slave device.

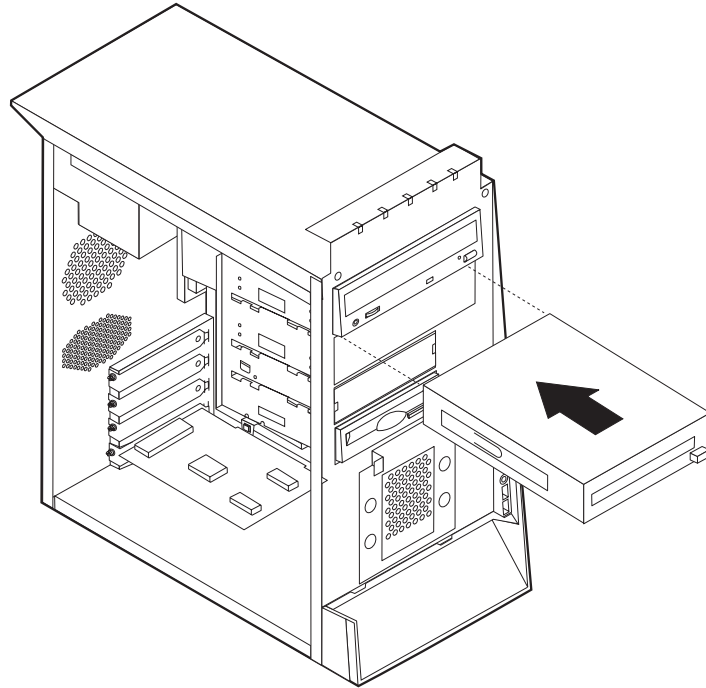
- If it is the first CD drive or DVD drive, set it as a master device.
- If it is an additional CD drive or DVD drive, set it as a slave device.
- If it is an additional parallel ATA hard disk drive, set it as a slave device.

Refer to the documentation that comes with your drive for master/slave jumper information.

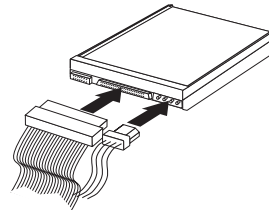
6. You might have to remove the bezel to install some drives. Remove the front bezel by pushing in on the blue plastic tab at the rear of the computer.

7. Install the drive into the bay and lock it into position.

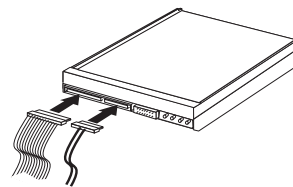
Note: Some drives might require screws to secure the drive into the bay. If this is the case, align the screw holes, and insert the screws to secure the drive.



8. A hard disk drive requires two cables; a power cable that connects to the power supply and a signal cable that connects to the system board.
 - A parallel ATA hard disk drive requires a four-wire power cable.



- A serial ATA hard disk drive requires a five-wire power cable.



The steps to connect a drive are different depending on the type of drive you are connecting. Use one of the following procedures for your drive connection.

Connecting the first CD drive or DVD drive

1. Locate the three-connector signal cable that comes with your computer or with the new drive.

2. Locate the PATA secondary IDE connector on the system board. See “Identifying parts on the system board” on page 83.
3. Connect one end of the signal cable to the drive and the other to the PATA secondary IDE connector on the system board. To reduce electronic noise, use the connectors at the end of the cable only.
4. Your computer has extra power connectors for additional drives. Connect a power connector to the drive.
5. If you have a CD-ROM audio cable, connect it to the drive and to the system board. See “Identifying parts on the system board” on page 83.

Connecting an additional CD drive, DVD drive, or parallel ATA hard disk drive

An additional drive can be connected to either the PATA primary IDE or PATA secondary IDE connector.

1. Locate an available PATA IDE connector on the three-connector signal cable attached to either the PATA primary IDE or PATA secondary IDE connector on the system board. See “Identifying parts on the system board” on page 83.
2. Connect the extra connector in the signal cable to the new drive.
3. Your computer has extra power connectors for additional drives. Connect a power connector to the drive.

Connecting a serial ATA hard disk drive

A serial hard disk drive can be connected to either the SATA 1 IDE or SATA 2 IDE connector.

1. Locate the signal cable that comes with the new drive.
2. Locate an available SATA IDE connector on the system board. See “Identifying parts on the system board” on page 83.
3. Connect one end of the signal cable to the drive and the other to an available SATA IDE connector on the system board.
4. Your computer has extra power connectors for additional drives. Connect a power connector to the drive.

What to do next

- To work with another option, go to the appropriate section.
- To complete the installation, go to “Replacing the cover and connecting the cables” on page 96.

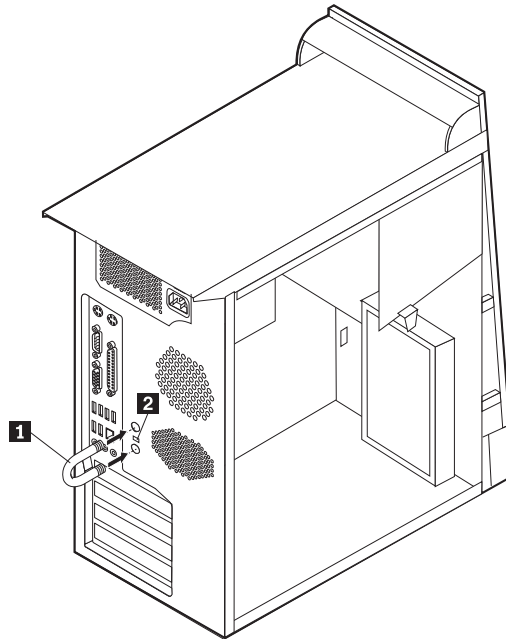
Installing security features

To help prevent hardware theft and unauthorized access to your computer, several security lock options are available. The following sections will help you identify and install the various types of locks that might be available for your computer. In addition to physical locks, unauthorized use of your computer can be prevented by a software lock that locks the keyboard until a correct password is typed in.

Make sure that any security cables you install do not interfere with other computer cables.

Identifying security locks

The following illustration shows the locations of the security features on the rear of the computer.



- 1** Rope clip
- 2** Integrated cable lock

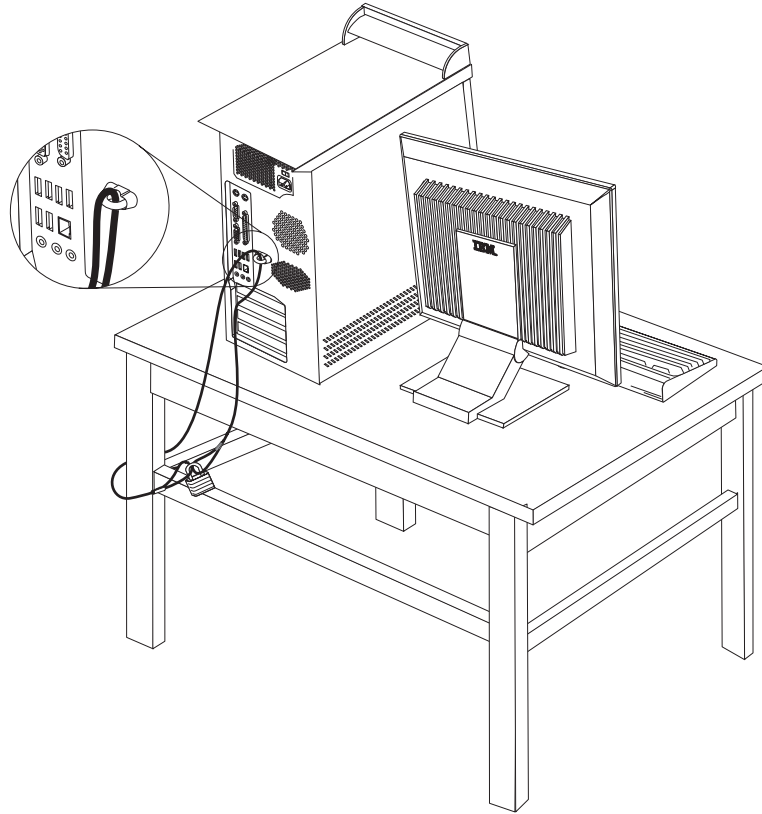
Rope clip

Using a 3/16-inch or 5-mm rope clip (sometimes referred to as a U-bolt), a steel security cable, and a padlock can secure your computer to a desk, table, or other non-permanent fixture. For computers designed to accommodate the rope clip, knockouts at the rear of the chassis are provided.

To install a rope clip:

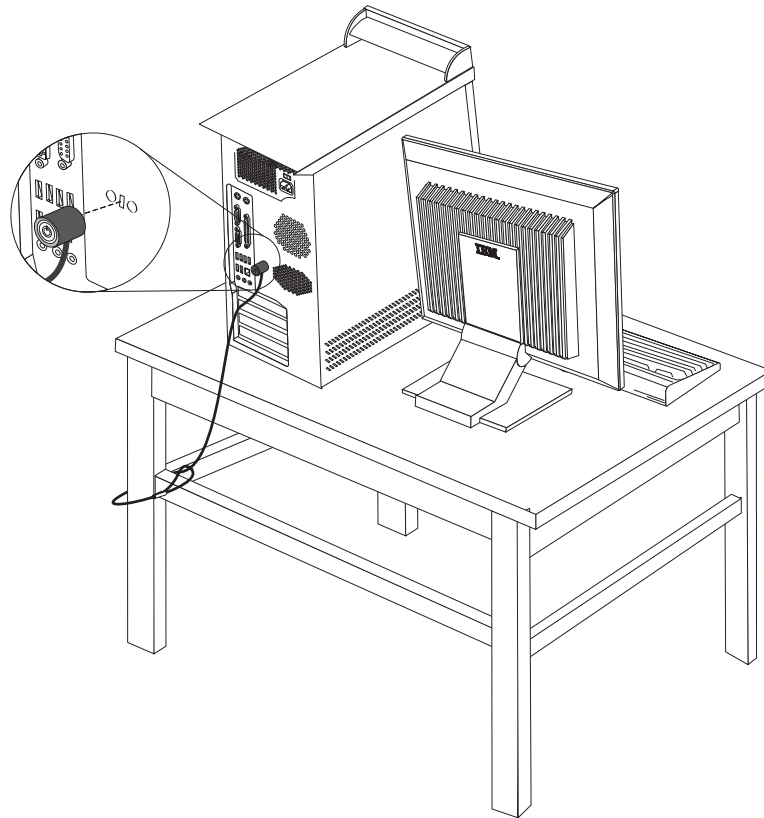
1. Remove cover (see “Removing the cover” on page 82).
2. Use a tool, such as a screwdriver, to remove the two metal knockouts.
3. Insert the rope clip through the rear panel; then attach and tighten the nuts with an appropriately sized or adjustable wrench.
4. Replace the computer cover. For more information, see “Replacing the cover and connecting the cables” on page 96.

5. Thread the cable through the rope clip and around an object that is not a part of or permanently secured to the building structure or foundation, and from which it cannot be removed; then fasten the cable ends together with a lock.



Integrated cable lock

With an integrated cable lock (sometimes referred to as a Kensington lock), you can secure your computer to a desk, table, or other non-permanent fixture. The cable lock attaches to a security slot at the rear of your computer and is operated with a key. This is the same type of lock used with many laptop computers. You can order a cable lock directly from IBM. Go to <http://www.pc.ibm.com/support> and search on *Kensington*.



Password protection

To deter unauthorized use of your computer, you can use the IBM Setup Utility program to set a password. When you turn on your computer you are prompted to type the password to unlock the keyboard for normal use.

What to do next

- To work with another option, go to the appropriate section.
- To complete the installation, go to "Replacing the cover and connecting the cables" on page 96.

Changing the battery

Your computer has a special type of memory that maintains the date, time, and settings for built-in features, such as parallel-port assignments (configuration). A battery keeps this information active when you turn off the computer.

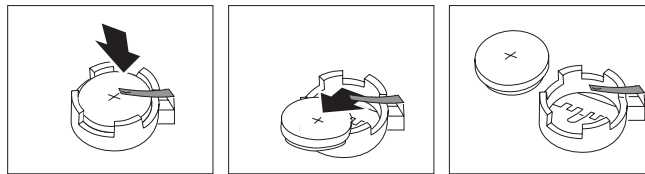
The battery normally requires no charging or maintenance throughout its life; however, no battery lasts forever. If the battery fails, the date, time, and

configuration information (including passwords) are lost. An error message is displayed when you turn on the computer.

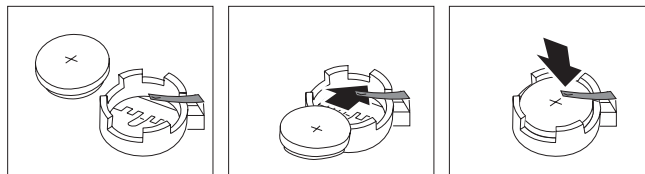
Refer to “Lithium battery notice” on page x for information about replacing and disposing of the battery.

To change the battery:

1. Turn off the computer and all attached devices.
2. Remove the cover. See “Removing the cover” on page 82.
3. Locate the battery. See “Identifying parts on the system board” on page 83.
4. If necessary, remove any adapters that impede access to the battery. See “Installing adapters” on page 85 for more information.
5. Remove the old battery.



6. Install the new battery.



7. Replace any adapters that were removed to gain access to the battery. See “Installing adapters” on page 85 for instructions for replacing adapters.
8. Replace the cover, and plug in the power cord. See “Replacing the cover and connecting the cables” on page 96.

Note: When the computer is turned on for the first time after battery replacement, an error message might be displayed. This is normal after replacing the battery.

9. Turn on the computer and all attached devices.
10. Use the IBM Setup Utility program to set the date and time and any passwords. See Chapter 5, “Using the IBM Setup Utility program,” on page 99.

Erasing a lost or forgotten password (clearing CMOS)

This section applies to lost or forgotten passwords. For more information about lost or forgotten passwords, see Access IBM on your desktop.

Note: Some computer models might have a POV daughter card installed on the system board. If this is the case, the password is stored in an EEPROM on the POV card and can not be erased. See “Identifying parts on the system board” on page 83 for the location of the POV daughter card.

To erase a forgotten password:

1. Turn off the computer and all attached devices.
2. Remove the cover. See “Removing the cover” on page 82.

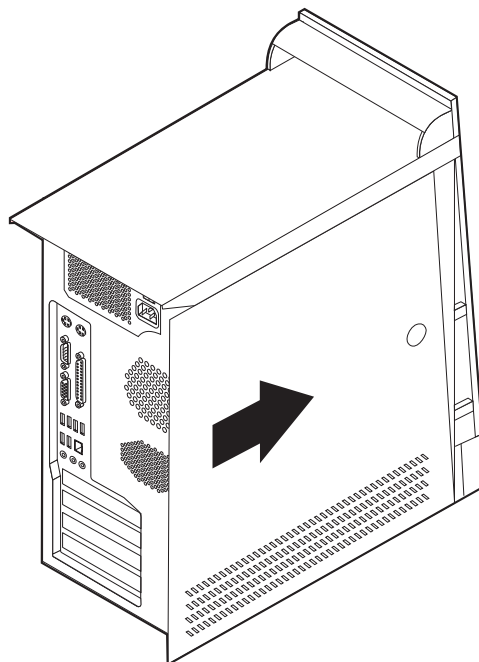
3. Locate the Clear CMOS/Recovery jumper on the system board. See “Identifying parts on the system board” on page 83.
4. If necessary, see “Installing adapters” on page 85 to remove any adapters that impede access to the Clear CMOS/Recovery jumper.
5. Move the jumper from the standard position (pins 1 and 2) to the maintenance or configure position (pins 2 and 3).
6. Replace the cover and connect the power cord. See “Replacing the cover and connecting the cables.”
7. Restart the computer, leave it on for approximately 10 seconds. Turn off the computer by holding the power switch for approximately 5 seconds. The computer will turn off.
8. Repeat steps 2 through 4 on page 95.
9. Move the jumper back to the standard (pins 1 and 2).
10. Replace the cover and connect the power cord. See “Replacing the cover and connecting the cables.”

Replacing the cover and connecting the cables

After working with options, you need to install any removed parts, replace the cover, and reconnect any cables, including telephone lines and power cords. Also, depending on the option that is installed, you might need to confirm the updated information in the IBM Setup Utility program.

To replace the cover and connect cables to your computer:

1. Ensure that all components have been reassembled correctly and that no tools or loose screws are left inside your computer.
2. Clear any cables that might impede the replacement of the cover.
3. Position the cover on the chassis so that the rail guides on the bottom of the cover engage the rails and push the cover closed until it latches.



4. Reconnect the external cables and power cords to the computer. See “Installing external options” on page 78.

5. To update the configuration, see Chapter 5, “Using the IBM Setup Utility program,” on page 99.

Chapter 5. Using the IBM Setup Utility program

The IBM Setup Utility program is stored in the electrically erasable programmable read-only memory (EEPROM) of your computer. The IBM Setup Utility program is used to view and change the configuration settings of your computer, regardless of which operating system you are using. However, the operating-system settings might override any similar settings in the IBM Setup Utility program.

Starting the IBM Setup Utility program

To start the IBM Setup Utility program, do the following:

1. If your computer is already on when you start this procedure, shut down the operating system and turn off the computer.
2. Turn on the computer and look for the following prompt on the logo screen:
(To interrupt normal startup, press Enter)

Press Enter when you see the prompt.

3. When the Startup Interrupt Menu displays, press F1.

Note: If an administrator password has been set, the IBM Setup Utility program menu is not displayed until you type your password. See “Using passwords” for more information.

The IBM Setup Utility might start automatically when POST detects that hardware has been removed or new hardware has been installed in your computer.

Viewing and changing settings

The IBM Setup Utility program menu lists items that identify system configuration topics.

When working with the IBM Setup Utility program menu, you must use the keyboard. The keys used to perform various tasks are displayed at the bottom of each screen.

Exiting from the IBM Setup Utility program

When you finish viewing or changing settings, press Esc to return to the IBM Setup Utility program menu (you might have to press Esc several times). If you want to save the new settings, select **Save Settings** before you exit. Otherwise, your changes will not be saved.

Using passwords

You can use passwords to provide security for your computer and data. There are two kinds of passwords: a user password and an administrator password. You do not have to set a password of either type to use your computer. However, if you decide to set either one, read the following sections.

User password

The user password feature deters unauthorized persons from gaining access to your computer.

Administrator password

Setting an administrator password deters unauthorized persons from changing configuration settings. If you are responsible for maintaining the settings of several computers, you might want to set an administrator password.

After you set an administrator password, a password prompt is displayed each time you try to access the IBM Setup Utility program. If you type the wrong password, you will see an error message. If you type the wrong password three times, you must turn the computer off and start again.

If both the user and administrator passwords are set, you can type either password. However, to change any configuration settings, you must use your administrator password.

Setting, changing, and deleting a password

To set, change, or delete a password, do the following:

Note: A password can be any combination of up to seven characters (A- Z, a-z, and 0-9).

1. Start the IBM Setup Utility program (see "Starting the IBM Setup Utility program" on page 99).
2. From the IBM Setup Utility program menu, select **Security**.
3. Select **Set Passwords**. Read the information displayed on the right side of the screen.

Using Security Profile by Device

Security Profile by Device is used to enable or disable user access to the following devices:

IDE controller	When this feature is set to Disable , all devices connected to the IDE controller (such as hard disk drives or the CD-ROM drive) are disabled and will not be displayed in the system configuration.
Diskette Drive Access	When this feature is set to Disable , the diskette drive cannot be accessed.
Diskette Write Protect	When this feature is set to Enable , all diskettes are treated as if they are write-protected.

To set Security Profile by Device, do the following:

1. Start the IBM Setup Utility program (see "Starting the IBM Setup Utility program" on page 99).
2. From the IBM Setup Utility program menu, select **Security**.
3. Select **Security Profile by Device**.
4. Select the desired devices and settings and press Enter.
5. Return to the IBM Setup Utility program menu and select **Exit** and then **Save Settings**.

Using IDE Drives Setup

In addition to listing the different IDE devices, there are options for configuring the serial and parallel IDE controllers.

Parallel ATA	This setting allows the user to disable one or both of the parallel IDE controllers.
Serial ATA	This setting allows the user to disable the serial ATA controllers.
Native Mode Operation	This setting is only available when the serial ATA controller is enabled. This allows the user to specify whether the parallel and serial ATA controllers will operate in "legacy" or "native" mode. By default, they will operate in native mode unless both parallel ATA controllers are populated and a serial ATA drive is present. Then the serial ATA drive will become "native" mode. The user can select Automatic or the serial ATA controller to run in "native" mode. However, running in "native" mode might not work with older operating systems.

To configure IDE Drives Setup, do the following:

1. Start the IBM Setup Utility program (see "Starting the IBM Setup Utility program" on page 99).
2. From the IBM Setup Utility program menu, select **Devices**.
3. Select **IDE Drives Setup**.
4. Select the desired devices and settings and press Enter.
5. Return to the IBM Setup Utility program menu and select **Exit** and then **Save Settings**.

Selecting a startup device

If your computer does not start up (boot) from a device such as the CD-ROM, diskette, or hard disk as expected, use one of the following procedures to select a startup device.

Selecting a temporary startup device

Use this procedure to startup from any boot device.

Note: Not all CDs, hard disks, and diskettes are startable (bootable).

1. Turn off your computer.
2. Turn on your computer and look for the following prompt on the logo screen:
(To interrupt normal startup, press Enter)

Press Enter when you see the prompt.

3. When the Startup Interrupt Menu displays, press F12.
4. Select the desired startup device from the Startup Device menu and press Enter to begin.

Note: Selecting a startup device from the Alternate startup devices menu does not permanently change the startup sequence.

Changing the startup sequence

To view or change the primary or automatic power-on startup sequence, do the following:

1. Start the IBM Setup Utility program (see “Starting the IBM Setup Utility program” on page 99).
2. Select **Startup**.
3. Select **Startup Sequence**. See the information displayed on the right side of the screen.
4. Select the sequence of devices for the Primary Startup Sequence, the Automatic Startup Sequence, and the Error Startup Sequence.
5. Select **Exit** from the IBM Setup Utility menu and then **Save Settings**.

If you have changed these settings and want to return to the default settings, select **Load Default Settings** on the Exit menu.

Advanced settings

On some computer models, the Advanced settings menu includes a setting to Enable/Disable HyperThreading. This feature works only with HyperThreading-aware operating systems such as Microsoft Windows XP. The default setting for HyperThreading is Enabled. However, if you select **Set Defaults** (HyperThreading is Enabled) and are using an operating system other than Windows XP, your computer performance might be degraded. Therefore, you should always set HyperThreading to disabled unless you are sure your operating system supports hyperthreading.

Appendix A. Updating system programs

This appendix contains information about updating system programs and how to recover from a POST/BIOS update failure.

System programs

System programs are the basic layer of software that is built into your computer. They include the power-on self-test (POST), the basic input/output system (BIOS) code, and the IBM Setup Utility program. POST is a set of tests and procedures that is performed each time you turn on your computer. BIOS is a layer of software that translates instructions from other layers of software into electrical signals that the computer hardware can understand. You can use the IBM Setup Utility program to view and change the configuration and setup of your computer.

Your computer system board has a module called *electrically erasable programmable read-only memory* (EEPROM, also referred to as *flash memory*). You can easily update POST, BIOS, and the IBM Setup Utility program by starting your computer using a flash update diskette or by running a special update program from your operating system.

IBM might make changes and enhancements to the system programs. When updates are released, they are available as downloadable files on the World Wide Web (see the *Quick Reference*). Instructions for using the system program updates are available in a .txt file that is included with the update files. For most models, you can download either an update program to create a system-program-update (flash) diskette or an update program that can be run from the operating system.

Note: You can download a startable CD-ROM image (known as an .iso image) of the system program from <http://www.ibm.com/pc/support/> to support systems without a diskette drive.

Updating (flashing) BIOS from a diskette

1. Insert a system program update (flash) diskette into the diskette drive (drive A) in your computer. System program updates are available at <http://www.ibm.com/pc/support/> on the World Wide Web.
2. Turn on the computer. If it is on already, you must turn it off and back on again. The update begins.

Updating (flashing) BIOS from your operating system

Note: Due to constant improvements being made to the IBM Web site, Web page content (including the links referenced in the following procedure) is subject to change.

1. From your browser, type <http://www.pc.ibm.com/support> in the address field and press Enter.
2. Locate the Downloadable files for your machine type.
3. Under Select your product, choose your machine type and click **Go**.
4. In Downloadable file by category, click **BIOS**.
5. Under Download files - BIOS by date, click your machine type.

6. Scroll down and look for a .txt file that has instructions for Flash BIOS update from the operating system. Click the .txt file.
7. Print these instructions. This is very important since they are not on the screen after the download begins.
8. From your browser, Click **Back** to return to the list of files. Carefully follow the printed instructions to download, extract, and install the update.

Recovering from a POST/BIOS update failure

If power to your computer is interrupted while POST/BIOS is being updated (flash update), your computer might not restart correctly. If this happens, perform the following procedure (also known as a Boot-block Recovery):

1. Turn off the computer and any attached devices, such as printers, monitors, and external drives.
2. Unplug all power cords from electrical outlets, and remove the cover. See Removing the cover in the chapter for your model.
3. Locate the Clear CMOS/Recovery jumper on the system board. See Identifying parts on the system board in the chapter for your model type.
4. If necessary, refer to Installing adapters to remove any adapters that impede access to the Clear CMOS/Recovery jumper.
5. Move the jumper from the standard position (pins 1 and 2) to pins 2 and 3.
6. Replace the cover. See Replacing the cover and connecting the cables in the chapter for your model type.
7. Reconnect the power cords for the computer and monitor to electrical outlets.
8. Insert the POST/BIOS update (flash) diskette into drive A, and turn on the computer and the monitor.
9. After the update session is completed, there will be no video and the series of beeps will end. Remove the diskette from the diskette drive, and turn off the computer and monitor.
10. Unplug the power cords from electrical outlets.
11. Remove the cover. See Removing the cover in the chapter for your model type.
12. Remove any adapters that impede access to the BIOS Configuration jumper.
13. Replace the Clear CMOS/Recovery jumper to its original position.
14. Replace any adapters that were removed.
15. Replace the cover and reconnect any cables that were disconnected.
16. Turn on the computer to restart the operating system.

Appendix B. Cleaning the mouse

This appendix provides instructions on how to clean your mouse. The procedure will be different depending on which type of mouse you have.

Cleaning an optical mouse

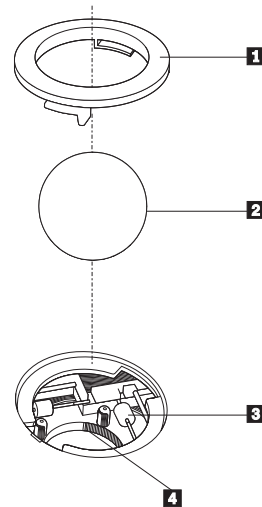
If you experience some problems with your optical mouse, check the following:

1. Turn the mouse over and look carefully at the lens area.
 - a. If there is a smudge on the lens, gently clean the area with a plain cotton swab or plain q-tip.
 - b. If there is some debris in the lens, gently blow the debris away from the area.
2. Check the surface you are using the mouse on. If you have a very intricate picture or pattern beneath the mouse it is difficult for the digital signal processor (DSP) to determine changes in the mouse position.

Cleaning a mouse with a ball

If the pointer on the screen does not move smoothly with the mouse, you might need to clean the mouse.

Note: The following illustration might be slightly different from your mouse.



- 1** Retainer ring
- 2** Ball
- 3** Plastic rollers
- 4** Ball cage

To clean a mouse with a ball:

1. Turn off your computer.
2. Turn the mouse over, with the top side down, and look carefully at the bottom. Twist the retainer ring **1** to the unlocked position to remove the ball.

3. Place your hand over the retainer ring and ball **2**, and then turn the mouse over, top side up, so that the retainer ring and ball fall out into your hand.
4. Wash the ball in warm, soapy water then dry it with a clean cloth. Blow air carefully into the ball cage **4** to dislodge dust and lint.
5. Look for a build up of dirt on the plastic rollers **3** inside the ball cage. This build up usually appears as a stripe running across the middle of the rollers.
6. If the rollers are dirty, clean them by using a cotton swab soaked in isopropyl (rubbing) alcohol. Turn the rollers with your finger and continue swabbing them until all the dirt is removed. Be sure the rollers are still centered in their channels after you clean them.
7. Remove any fibers from the swab that might be remaining on the rollers.
8. Replace the ball and the retainer ring.
9. Turn your computer back on.

Appendix C. Manual modem commands

The following section lists commands for manually programming your modem.

Commands are accepted by the modem while it is in Command Mode. Your modem is automatically in Command Mode until you dial a number and establish a connection. Commands may be sent to your modem from a PC running communication software or any other terminal devices.

All commands sent to the modem must begin with **AT** and end with **ENTER**. All commands may be typed in either upper or lower case, but not mixed. To make the command line more readable, spaces may be inserted between commands. If you omit a parameter from a command that requires one, it is just like specifying a parameter of **0**.

Example:

ATH [ENTER]

Basic AT commands

In the following listings, all default settings are printed in **bold text**.

Command		Function
A		Manually answer incoming call.
A/		Repeat last command executed. Do not precede A/ with AT or follow with ENTER .
D_		0 - 9, A-D, # and *
	L	last number redial
	P	pulse dialing
		Note: Pulse dialing is not supported for Australia, New Zealand, Norway, and South Africa.
	T	touch-tone dialing
	W	wait for second dial tone
	,	pause
	@	wait for five seconds of silence
	!	flash
	;	return to Command Mode after dialing
DS=n		Dial one of the four telephone numbers (n=0-3) stored in the modem non-volatile memory.
E_	E0	Commands are not echoed
	E1	Commands are echoed
+++		Escape Characters - Switch from Data Mode to Command Mode (T.I.E.S. Command)
H_	H0	Force modem on-hook (hang up)

Command		Function
	H1	Force modem off-hook (make busy) Note: H1 command is not supported for Italy
I_	I0	Display product-identification code
	I1	Factory ROM checksum test
	I2	Internal memory test
	I3	Firmware ID
	I4	Reserved ID
L_	L0	Low speaker volume
	L1	Low speaker volume
	L2	Medium speaker volume
	L3	High speaker volume
M_	M0	Internal speaker off
	M1	Internal speaker on until carrier detected
	M2	Internal speaker always on
	M3	Internal speaker on until carrier detected and off while dialing
N_		Included for compatibility only, provides no effect
O_	O0	Return to Data Mode
	O1	Return to Data Mode and initiate an equalizer retrain
P		Set Pulse dial as default
Q_	Q0	Modem sends responses
Sr?		Read and display value in register r.
Sr=n		Set register r to value n (n = 0-255).
T		Set Tone Dial as default
V_	V0	Numeric responses
	V1	Word responses
W_	W0	Report DTE speed only
	W1	Report line speed, error correction protocol, and DTE speed.
	W2	Report DCE speed only
X_	X0	Hayes Smartmodem 300 compatible responses/blind dialing.
	X1	Same as X0 plus all CONNECT responses/blind dialing
	X2	Same as X1 plus dial tone detection
	X3	Same as X1 plus busy detection/blind dialing
	X4	All responses and dial tone and busy signal detection
Z_	Z0	Reset and retrieve active profile 0
	Z1	Reset and retrieve active profile 1

Extended AT commands

Command		Function
&C_	&C0	Force Carrier Detect Signal High (ON)
	&C1	Turn on CD when remote carrier is present
&D_	&D0	Modem ignores the DTR signal
	&D1	Modem returns to Command Mode after DTR toggle
	&D2	Modem hangs up, returns to the Command Mode after DTR toggle
	&D3	Resets modem after DTR toggle
&F_	&F	Recall factory default configuration
&G_	&G0	Guard tone disabled
	&G1	Guard tone disabled
	&G2	1800 Hz guard tone
&K_	&K0	Disable flow control
	&K3	Enable RTS/CTS hardware flow control
	&K4	Enable XON/XOFF software flow control
	&K5	Enable transparent XON/XOFF flow control
	&K6	Enable both RTS/CTS and XON/XOFF flow control
&M_	&M0	Asynchronous operation
&P_	&P0	US setting for off-hook-to-on-hook ratio
	&P1	UK and Hong Kong off-hook-to-on-hook ratio
	&P2	Same as &P0 setting but at 20 pulses per minute
	&P3	Same as &P1 setting but at 20 pulses per minute
&R_	&R0	Reserved
	&R1	CTS operates per flow control requirements
&S_	&S0	Force DSR Signal High (ON)
	&S1	DSR off in command mode, on in on-line mode
&T_	&T0	Ends test in progress
	&T1	Perform Local Analog Loopback Test
	&T3	Perform Local Digital Loopback Test
	&T4	Grant Remote Digital Loopback Test request by remote modem
	&T5	Deny Remote Digital Loopback Test request
	&T6	Perform a Remote Digital Loopback Test
	&T7	Perform a Remote Digital Loopback Test and Self-Test
	&T8	Perform Local Analog Loopback Test and Self-Test
&V	&V0	Displays Active and Stored Profiles

Command		Function
	&V1	Display Last Connection Statistics
&W_	&W0	Stores the active profile as Profile 0
	&W1	Stores the active profile as Profile 1
%E_	%E0	Disable auto-retrain
	%E1	Enable auto-retrain
+MS?		Displays the current Select Modulation settings
+MS=?		Displays a list of supported Select Modulation options
+MS=a,b,c,e,f		Select modulation where: a =0, 1, 2, 3, 9, 10, 11, 12, 56, 64, 69; b =0-1; c =300-56000; d =300-56000; e =0-1; and f =0-1. A, b, c, d, e, f default= 12, 1, 300, 56000, 0, 0 . Parameter " a " specifies the modulation protocol desired where: 0=V.21, 1=V.22, 2=V.22bis, 3=V.23, 9=V.32, 10=V.32bis, 11=V.34, 12=V.90, K56Flex,V.34.....,56=K 56Flex, V.90,V.34....., 64=Bell 103, and 69=Bell 212. Parameter " b " specifies automode operations where: 0=automode disabled, 1= automode enabled with V.8/V.32 Annex A. Parameter " c " specifies the minimum connection data rate (300- 56000). Parameter " d " specifies the maximum connection rate (300-56000); Parameter " e " specifies the codec type (0= Law, and 1=A-Law). Parameter " f " specifies "robbed bit" signaling detection (0=detection disabled 1=detection enabled)

MNP/V.42/V.42bis/V.44 commands

Command		Function
%C_	%C0	Disable MNP Class 5 and V.42bis data compression
	%C1	Enable MNP Class 5 data compression only
	%C2	Enable V.42bis data compression only
	%C3	Enable MNP Class 5 and V.42bis data compression
&Q_	&Q0	Direct data link only (same as \N1)
	&Q5	V.42 data link with fallback options
	&Q6	Normal data link only (same as \N0)
+DS44=0, 0		Disable V.44
+DS44=3, 0		Enable V.44
+DS44?		Current values
+DS44=?		List of support values

Fax Class 1 commands

+FAE=n	Data/Fax Auto Answer
+FCLASS=n	Service Class
+FRH=n	Receive data with HDLC framing
+FRM=n	Receive data
+FRS=n	Receive silence
+FTH=n	Transmit data with HDLC framing
+FTM=n	Transmit data
+FTS=n	Stop transmission and wait

Fax Class 2 commands

+FCLASS=n	Services class.
+FAA=n	Adaptive answer.
+FAXERR	Fax error value.
+FBOR	Phase C data bit order.
+FBUF?	Buffer size (read only).
+FCFR	Indicate confirmation to receive.
+FCLASS=	Service class.
+FCON	Facsimile connection response.
+FCIG	Set the polled station identification.
+FCIG:	Report the polled station identification.
+FCR	Capability to receive.
+FCR=	Capability to receive.
+FCSI:	Report the called station ID.
+FDCC=	DCE capabilities parameters.
+FDCS:	Report current session.
+FDCS=	Current session results.
+FDIS:	Report remote capabilities.
+FDIS=	Current sessions parameters.
+FDR	Begin or continue phase C receive data.
+FDT=	Data transmission.
+FDTC:	Report the polled station capabilities.
+FET:	Post page message response.
+FET=N	Transmit page punctuation.
+FHNG	Call termination with status.
+FK	Session termination.
+FLID=	Local ID string.
+FLPL	Document for polling.
+FMDL?	Identify model.
+FMFR?	Identify manufacturer.

+FPHCTO	Phase C time out.
+FPOLL	Indicates polling request.
+FPTS:	Page transfer status.
+FPTS=	Page transfer status.
+FRECV?	Identify revision.
+FSPT	Enable polling.
+FTSI:	Report the transmit station ID.

Voice commands

#BDR	Select Baud Rate
#CID	Enable Caller ID detection and reporting format
#CLS	Select Data, Fax or Voice/Audio
#MDL?	Identify Model
#MFR?	Identify Manufacturer
#REV?	Identify Revision Level
#TL	Audio output transmit level
#VBQ?	Query Buffer Size
#VBS	Bits per sample (ADPCM or PCM)
#VBT	Beep Tone Timer
#VCI?	Identify Compression Method
#VLS	Voice line select
#VRA	Ringback goes away timer
#VRN	Ringback never came timer
#VRX	Voice Receive Mode
#VSDB	Silence deletion tuner
#VSK	Buffer skid setting
#VSP	Silence detection period
#VSR	Sampling rate selection
#VSS	Silence deletion tuner
#VTD	DTMF tone reporting capability
#VTM	Enable timing mark placement
#VTS	Generate tone signals
#VTX	Voice transmit mode

Attention Switzerland User:

If your Swisscom phone line does not have Taxsignal switched OFF, modem function may be impaired. The impairment may be resolved by a filter with the following specifications:

Telekom PTT SCR-BE
Taximpulssperrfilter-12kHz
PTT Art. 444.112.7
Bakom 93.0291.Z.N

Appendix D. Customer replaceable unit (CRU) parts list

For your computer, the following parts are designated customer replaceable unit (CRU) parts. Refer to the warranty section of your *Quick Reference* for more information.

CRU parts list

- All option and adapter cards
- All bezels
- All keyboards
- All mice
- All external speakers
- All memory
- All keylocks
- All cables
- All hard disk drives, optical drives, and diskette drives
- Internal speaker assembly
- RFID antenna
- Speaker power supply
- EMC shield 5.25"
- Fan assembly, 80 mm, fixed speed
- Input/output cam bracket
- Pivot lock, 3.5 diskette drive
- Pivot lock, 5.25 DASD
- Retainer, cards input/output
- Battery, 3.0V CMOS battery
- Control panel assembly
- Hard disk drive mounting bracket assembly
- Fan bracket assembly
- Air duct with/without fan
- System board shield kit
- Hard disk drive bracket assembly
- Hard disk drive tray

Appendix E. Notices

IBM may not offer the products, services, or features discussed in this document in all countries. Consult your local IBM representative for information on the products and services currently available in your area. Any reference to an IBM product, program, or service is not intended to state or imply that only that IBM product, program, or service may be used. Any functionally equivalent product, program, or service that does not infringe any IBM intellectual property right may be used instead. However, it is the user's responsibility to evaluate and verify the operation of any non-IBM product, program, or service.

IBM may have patents or pending patent applications covering subject matter described in this document. The furnishing of this document does not give you any license to these patents. You can send license inquiries, in writing, to:

*IBM Director of Licensing
IBM Corporation
North Castle Drive
Armonk, NY 10504-1785
U.S.A.*

INTERNATIONAL BUSINESS MACHINES CORPORATION PROVIDES THIS PUBLICATION "AS IS" WITHOUT WARRANTY OF ANY KIND, EITHER EXPRESS OR IMPLIED, INCLUDING, BUT NOT LIMITED TO, THE IMPLIED WARRANTIES OF NON-INFRINGEMENT, MERCHANTABILITY OR FITNESS FOR A PARTICULAR PURPOSE. Some jurisdictions do not allow disclaimer of express or implied warranties in certain transactions, therefore, this statement may not apply to you.

This information could include technical inaccuracies or typographical errors. Changes are periodically made to the information herein; these changes will be incorporated in new editions of the publication. IBM may make improvements and/or changes in the product(s) and/or the program(s) described in this publication at any time without notice.

The products described in this document are not intended for use in implantation or other life support applications where malfunction may result in injury or death to persons. The information contained in this document does not affect or change IBM product specifications or warranties. Nothing in this document shall operate as an express or implied license or indemnity under the intellectual property rights of IBM or third parties. All information contained in this document was obtained in specific environments and is presented as an illustration. The result obtained in other operating environments may vary.

IBM may use or distribute any of the information you supply in any way it believes appropriate without incurring any obligation to you.

Any references in this publication to non-IBM Web sites are provided for convenience only and do not in any manner serve as an endorsement of those Web sites. The materials at those Web sites are not part of the materials for this IBM product, and use of those Web sites is at your own risk.

Television output notice

The following notice applies to models that have the factory-installed television-output feature.

This product incorporates copyright protection technology that is protected by method claims of certain U.S. patents and other intellectual property rights owned by Macrovision Corporation and other rights owners. Use of this copyright protection technology must be authorized by Macrovision Corporation, and is intended for home and other limited viewing uses only unless otherwise authorized by Macrovision Corporation. Reverse engineering or disassembly is prohibited.

Trademarks

The following terms are trademarks of International Business Machines Corporation in the United States, other countries, or both:

- IBM
- ThinkCentre
- Wake on LAN
- PS/2

Microsoft, Windows, and Windows NT are trademarks of Microsoft Corporation in the United States, other countries, or both.

Intel, Celeron, NetBurst, and Pentium are trademarks of Intel Corporation in the United States, other countries, or both.

Other company, product, or service names may be trademarks or service marks of others.

Index

A

- adapters
 - accelerated graphics port (AGP) 5, 27, 51, 77
 - installing
 - Types 8128, 8187, 8188, 8193, 8414, and 8431 35
 - Types 8185, 8186, 8192, 8413, and 8430 13
 - Types 8189, 8190, 8194, 8195, 8415, 8432, and 8433 85
 - Types 8196 and 8197 60
 - peripheral component interconnect (PCI) 5, 27, 51, 77
 - slots 12, 34, 60, 85
- audio line in connector 8, 30, 55, 81
- audio line out connector 8, 30, 55, 81
- audio, subsystem 2, 24, 48, 74

C

- cables, connecting 21, 45, 70, 96
- changing the battery
 - Types 8128, 8187, 8188, 8193, 8414, and 8431 43
 - Types 8185, 8186, 8192, 8413, and 8430 19
 - Types 8189, 8190, 8194, 8195, 8415, 8432, and 8433 94
 - Types 8196 and 8197 68
- cleaning the mouse 105
- commands
 - Basic AT 107
 - Extended AT 109
 - Fax Class 1 111
 - Fax Class 2 111
 - MNP/V.42/V.42bis/V.44 110
 - Voice 112
- connector description
 - Types 8128, 8187, 8188, 8193, 8414, and 8431 30
 - Types 8185, 8186, 8192, 8413, and 8430 8
 - Types 8189, 8190, 8194, 8195, 8415, 8432, and 8433 81
 - Types 8196 and 8197 55
- cover
 - removing
 - Types 8128, 8187, 8188, 8193, 8414, and 8431 31
 - Types 8185, 8186, 8192, 8413, and 8430 9
 - Types 8189, 8190, 8194, 8195, 8415, 8432, and 8433 82
 - Types 8196 and 8197 56
 - replacing
 - Types 8128, 8187, 8188, 8193, 8414, and 8431 45
 - Types 8185, 8186, 8192, 8413, and 8430 21
 - Types 8189, 8190, 8194, 8195, 8415, 8432, and 8433 96
 - Types 8196 and 8197 70

D

- device, drivers 8, 30, 55, 81
- DIMMs, installing 11, 33, 58, 84
- drives
 - bays 2, 14, 24, 36, 48, 62, 75, 87
 - CD 5, 27, 51, 61, 77
 - diskette 5, 27, 51, 77
 - DVD 5, 27, 51, 61, 77
 - hard disk 5, 27, 51, 61, 77
 - installing 15, 37, 62, 88
 - internal 2, 14, 24, 36, 48, 51, 61, 74, 87
 - removable media 5, 27, 51, 61, 77

- drives (*continued*)
 - specifications 14, 36, 62, 87

E

- environment, operating 4, 26, 50, 76
- Ethernet connector 8, 30, 55, 81

I

- IBM Setup Utility 99
- input/output (I/O)
 - features 2, 24, 48, 74
- installing options
 - Types 8128, 8187, 8188, 8193, 8414, and 8431
 - adapters 35
 - DIMMs 33
 - internal drives 37
 - memory 33
 - security features 40
 - Types 8185, 8186, 8192, 8413, and 8430
 - adapters 13
 - DIMMs 11
 - internal drives 15
 - memory 11
 - security features 17
 - Types 8189, 8190, 8194, 8195, 8415, 8432, and 8433
 - adapters 85
 - DIMMs 84
 - internal drives 88
 - memory 84
 - security features 91
 - Types 8196 and 8197
 - adapters 60
 - DIMMs 58
 - internal drives 62
 - memory 58
 - security features 65

K

- keyboard connector 8, 30, 55, 81

L

- locating components
 - Types 8128, 8187, 8188, 8193, 8414, and 8431 32
 - Types 8185, 8186, 8192, 8413, and 8430 10
 - Types 8189, 8190, 8194, 8195, 8415, 8432, and 8433 83
 - Types 8196 and 8197 57

M

- memory
 - dual inline memory modules (DIMMs) 11, 33, 58, 84
 - installing 11, 33, 58, 84
 - system 11, 33, 58, 84
- microphone connector 8, 30, 55, 81

modem
 Basic AT commands 107
 Extended AT commands 109
 Fax Class 1 commands 111
 Fax Class 2 commands 111
 MNP/V.42/V.42bis/V.44 commands 110
 Voice commands 112
mouse connector 8, 30, 55, 81

N

noise level 4, 26, 50, 76

O

options
 available 5, 27, 51, 77
 external 5, 27, 51, 77
 internal 5, 27, 51, 77

P

parallel connector 8, 30, 55, 81
password
 erasing 20, 44, 69, 95
 lost or forgotten 20, 44, 69, 95
 setting, changing, deleting 100
physical specifications
 Types 8128, 8187, 8188, 8193, 8414, and 8431 26
 Types 8185, 8186, 8192, 8413, and 8430 4
 Types 8189, 8190, 8194, 8195, 8415, 8432, and 8433 76
 Types 8196 and 8197 50
power
 Advanced Configuration and Power Interface (ACPI)
 support 3, 25, 49, 75
 Advanced Power Management support 3, 25, 49, 75

R

recovering from a POST/BIOS update failure 104
removing the cover
 Types 8128, 8187, 8188, 8193, 8414, and 8431 31
 Types 8185, 8186, 8192, 8413, and 8430 9
 Types 8189, 8190, 8194, 8195, 8415, 8432, and 8433 82
 Types 8196 and 8197 56
replacing the cover
 Types 8128, 8187, 8188, 8193, 8414, and 8431 45
 Types 8185, 8186, 8192, 8413, and 8430 21
 Types 8189, 8190, 8194, 8195, 8415, 8432, and 8433 96
 Types 8196 and 8197 70

S

security
 features 3, 17, 25, 40, 65, 75, 91
 integrated cable lock 19, 43, 68, 94
 rope clip 18, 41, 66, 92
security profile by device 100
serial connector 8, 30, 55, 81
system board
 connectors 11, 33, 58, 84
 identifying parts 10, 32, 57, 83
 location 11, 33, 58, 84
 memory 5, 11, 27, 33, 51, 58, 77, 84
system programs 103

U

USB connectors 8, 30, 55, 81
using, security profile by device 100

V

video, subsystem 2, 24, 48, 74



Part Number: 13R9196

Printed in USA

(1P) P/N: 13R9196



Free Manuals Download Website

<http://myh66.com>

<http://usermanuals.us>

<http://www.somanuals.com>

<http://www.4manuals.cc>

<http://www.manual-lib.com>

<http://www.404manual.com>

<http://www.luxmanual.com>

<http://aubethermostatmanual.com>

Golf course search by state

<http://golfingnear.com>

Email search by domain

<http://emailbydomain.com>

Auto manuals search

<http://auto.somanuals.com>

TV manuals search

<http://tv.somanuals.com>