



**IBM Mobile Systems
ThinkPad Computer
Hardware Maintenance Manual**

November 2004

This manual supports:

**ThinkPad R50/R50p, R51 series
(MT 1829, 1830, 1831, 1832, 1833,
1836, 1840, 1841, 2883, 2887, 2888,
2889, 2894, 2895)**

ThinkPad Dock II (MT 2877)

Note

Before using this information and the product it supports, be sure to read the general information under “Notices” on page 272.

Second Edition (November 2004)

The following paragraph does not apply to the United Kingdom or any country where such provisions are inconsistent with local law:

INTERNATIONAL BUSINESS MACHINES CORPORATION PROVIDES THIS PUBLICATION “AS IS” WITHOUT ANY WARRANTY OF ANY KIND, EITHER EXPRESS OR IMPLIED, INCLUDING, BUT NOT LIMITED TO, THE LIMITED WARRANTIES OF MERCHANTABILITY OR FITNESS FOR A PARTICULAR PURPOSE. Some states do not allow disclaimer or express or implied warranties in certain transactions; therefore, this statement may not apply to you.

This publication could include technical inaccuracies or typographical errors. Changes are periodically made to the information herein; these changes will be incorporated in new editions of the publication. IBM may make improvements or changes to the products or the programs described in this publication at any time.

It is possible that this publication may contain references to, or information about, IBM products (machines and programs), programming, or services that are not announced in your country. Such references or information must not be construed to mean that IBM intends to announce such IBM products, programming, or services in your country.

Requests for technical information about IBM products should be made to your IBM authorized dealer or your IBM marketing representative.

© Copyright International Business Machines Corporation 2004. All rights reserved.

US Government Users Restricted Rights – Use, duplication or disclosure restricted by GSA ADP Schedule Contract with IBM Corp.

Contents

About this manual	1
Introduction	3
Important service information	3
Strategy for replacing FRUs	3
How to use error messages	4
Diskette compatibility matrix	4
Safety notices: multilingual translations	4
Safety information.	16
General safety	16
Electrical safety	17
Safety inspection guide	19
Handling devices that are sensitive to electrostatic discharge	20
Grounding requirements	21
Laser compliance statement.	22
General descriptions	25
Read this first	25
What to do first	25
Related service information	27
Service web site	27
Restoring the pre-installed system	27
Passwords	28
Power management	32
Checkout guide	34
Testing the computer	34
Detecting system information with PC-Doctor.	37
Power system checkout	37
ThinkPad R50/R50p and R51 Series	41
Product overview	43
Specifications	43
Status indicators	48
FRU tests	50
Fn key combinations	52
Symptom-to-FRU index	54
Numeric error codes	54
Error messages	59
Beep symptoms	60
No-beep symptoms	60
LCD-related symptoms	61
Intermittent problems	62
Undetermined problems	62
FRU replacement notices	63
Screw notices	63
Retaining serial numbers.	64
Removing and replacing a FRU.	67
1010 Battery pack.	68
1020 Ultrabay Enhanced device	69

1030 Hard disk drive	70
1040 DIMM (optional)	72
1050 Keyboard	73
1060 DIMM (standard)	77
1070 Modem daughter card (MDC/MDC-2)	78
1080 Bluetooth/Modem daughter card (BMDC/BMDC-2)	80
1090 Keyboard bezel	82
1100 Mini PCI adapter	86
1110 Fan assembly	90
1120 CPU	91
1130 Backup battery	92
1140 Speaker assembly	93
1150 IEEE 1394 cable	95
1160 PC Card slots assembly	98
1170 Ultrabay Enhanced shield kit	100
1180 LCD assembly	107
1190 VGA and Ultrabay Enhanced device eject button cable	111
1200 System board, interposer card, and base cover	114
2010 LCD front bezel	121
2020 Inverter card	123
2030 LCD panel, LCD cable assembly, wireless LAN antenna assembly, hinges, and LCD cover .	124
3010 ThinkPad Dock II PCI cover	134
3020 ThinkPad Dock II top cover	135
Locations	138
Front view	138
Rear view	140
Bottom view	141
Parts list	142
R50/R50p and R51 series model matrix	142
Overall	189
LCD FRUs	236
AC adapters	254
Keyboard	255
Recovery CDs	257
Miscellaneous parts	265
Optional FRUs	269
Common parts list	270
Notices	272
Trademarks	272

About this manual

This manual contains service and reference information for IBM ThinkPad R50/R50p and R51 series (MT1829, 1830, 1831, 1832, 1833, 1836, 1840, 1841, 2883, 2887, 2888, 2889, 2894, 2895), and ThinkPad Dock II (MT2877) products. Use this manual along with the advanced diagnostic tests to troubleshoot problems.

The manual is divided into sections as follows:

- The common sections provide general information, guidelines, and safety information required in servicing computers.
- The product-specific section includes service, reference, and product-specific parts information.

Important

This manual is intended for trained service personnel who are familiar with ThinkPad products. Use this manual along with the advanced diagnostic tests to troubleshoot problems effectively.

Before servicing an IBM ThinkPad product, be sure to review the safety information under “Safety notices: multilingual translations” on page 4, “Safety information” on page 16, and “Laser compliance statement” on page 22.

Introduction

Important service information

Important

BIOS and device driver fixes are customer-installable. The BIOS and device drivers are posted on the IBM support site <http://www.ibm.com/pc/support>

Advise customers to contact the IBM Support Center at 800-426-7378 (800-IBM-Serv) if they need assistance in obtaining or installing any diskette fixes.

Customers in Canada should call IBM Support Center at 800-565-3344 for assistance or download information.

Strategy for replacing FRUs

Before replacing parts

Make sure that all diskette fixes are installed before replacing any FRUs listed in this manual.

Use the following strategy to prevent unnecessary expense for replacing and servicing FRUs:

- **If you are instructed to replace a FRU but the replacement does not correct the problem, reinstall the original FRU before you continue.**
- Some computers have both a processor board and a system board. If you are instructed to replace either the processor board or the system board, and replacing one of them does not correct the problem, reinstall that board, and then replace the other one.
- If an adapter or a device consists of more than one FRU, any of the FRUs may be the cause of the error. Before replacing the adapter or device, remove the FRUs, one by one, to see if the symptoms change. Replace only the FRU that changed the symptoms.

Attention: The setup configuration on the computer you are servicing may have been customized. Running Automatic Configuration may alter the settings. Note the current configuration settings (using the View Configuration option); then, when service has been completed, verify that those settings remain in effect.

Strategy for replacing a hard disk drive

Always try to run a low-level format before replacing a hard disk drive.

Attention: The drive startup sequence in the computer you are servicing may have been changed. Be extremely careful during write operations such as copying, saving, or formatting. If you select an incorrect drive, data or programs can be overwritten.

How to use error messages

Use the error codes displayed on the screen to diagnose failures. If more than one error code is displayed, begin the diagnosis with the first error code. Whatever causes the first error code may also cause false error codes. If no error code is displayed, see whether the error symptom is listed in the Symptom-to-FRU Index for the computer you are servicing.

Diskette compatibility matrix

The compatibility of each of the drives with the diskettes for it is as follows:

Diskette drive	Diskette capacity	Compatibility
3.5-inch	1.0 MB	Read and write
	2.0 MB	Read and write
	4.0 MB	Not compatible

Safety notices: multilingual translations

In this manual, safety notices appear in English with a page number reference to the appropriate multilingual, translated safety notice found in this section.

The following safety notices are provided in English, French, German, Hebrew, Italian, and Spanish.

Safety notice 1

Before the computer is powered on after FRU replacement, make sure all screws, springs, and other small parts are in place and are not left loose inside the computer. Verify this by shaking the computer and listening for rattling sounds. Metallic parts or metal flakes can cause electrical shorts.

Avant de remettre l'ordinateur sous tension après remplacement d'une unité en clientèle, vérifiez que tous les ressorts, vis et autres pièces sont bien en place et bien fixées. Pour ce faire, secouez l'unité et assurez-vous qu'aucun bruit suspect ne se produit. Des pièces métalliques ou des copeaux de métal pourraient causer un court-circuit.

Bevor nach einem FRU-Austausch der Computer wieder angeschlossen wird, muß sichergestellt werden, daß keine Schrauben, Federn oder andere Kleinteile fehlen oder im Gehäuse vergessen wurden. Der Computer muß geschüttelt und auf Klappergeräusche geprüft werden. Metallteile oder-splitter können Kurzschlüsse erzeugen.

לפני הפעלת המחשב לאחר החלפת FRU יש לוודא שכל הברגים, הקפיצים, וחלקים קטנים אחרים נמצאים במקומם ואינם חופשיים לזוז בתוך המחשב. כדי לוודא זאת, יש לטלטל את המחשב ולהקשיב לגילוי קולות שקשוק. חלקי או שבבי מתכת עלולים לגרום לקצרים חשמליים.

Prima di accendere l'elaboratore dopo che é stata effettuata la sostituzione di una FRU, accertarsi che tutte le viti, le molle e tutte le altre parti di piccole dimensioni siano nella corretta posizione e non siano sparse all'interno dell'elaboratore. Verificare ciò scuotendo l'elaboratore e prestando attenzione ad eventuali rumori; eventuali parti o pezzetti metallici possono provocare cortocircuiti pericolosi.

Antes de encender el sistema despues de sustituir una FRU, compruebe que todos los tornillos, muelles y demás piezas pequeñas se encuentran en su sitio y no se encuentran sueltas dentro del sistema. Compruébelo agitando el sistema y escuchando los posibles ruidos que provocarían. Las piezas metálicas pueden causar cortocircuitos eléctricos.

Safety notice 2



Some standby batteries contain a small amount of nickel and cadmium. Do not disassemble a standby battery, recharge it, throw it into fire or water, or short-circuit it. Dispose of the battery as required by local ordinances or regulations. Use only the battery in the appropriate parts listing. Use of an incorrect battery can result in ignition or explosion of the battery.

Certaines batteries de secours contiennent du nickel et du cadmium. Ne les démontez pas, ne les rechargez pas, ne les exposez ni au feu ni à l'eau. Ne les mettez pas en court-circuit. Pour les mettre au rebut, conformez-vous à la réglementation en vigueur. Lorsque vous remplacez la pile de sauvegarde ou celle de l'horloge temps réel, veillez à n'utiliser que les modèles cités dans la liste de pièces détachées adéquate. Une batterie ou une pile inappropriée risque de prendre feu ou d'exploser.

Die Bereitschaftsbatterie, die sich unter dem Diskettenlaufwerk befindet, kann geringe Mengen Nickel und Cadmium enthalten. Sie darf nur durch die Verkaufsstelle oder den IBM Kundendienst ausgetauscht werden. Sie darf nicht zerlegt, wiederaufgeladen, kurzgeschlossen, oder Feuer oder Wasser ausgesetzt werden. Die Batterie kann schwere Verbrennungen oder Verätzungen verursachen. Bei der Entsorgung die örtlichen Bestimmungen für Sondermüll beachten. Beim Ersetzen der Bereitschafts- oder Systematterie nur Batterien des Typs verwenden, der in der Ersatzteilliste aufgeführt ist. Der Einsatz falscher Batterien kann zu Entzündung oder Explosion führen.

(continued)

(continuation of safety notice 2)

סוללות המתנה מסוימות מכילות כמות קטנה של ניקל וקדמיום. אין לפרק סוללת המתנה, לטעון אותה מחדש, להשליך אותה לאש או למים או לקצר אותה. יש לסלק את הסוללה כנדרש על ידי התקנות והחוקים המקומיים. יש להשתמש רק בסוללה המופיעה ברשימת החלקים המתאימה. שימוש בסוללה לא מתאימה עלול לגרום להצתה או התפוצצות של הסוללה.

Alcune batterie di riserva contengono una piccola quantità di nichel e cadmio. Non smontarle, ricaricarle, gettarle nel fuoco o nell'acqua né cortocircuitarle. Smaltirle secondo la normativa in vigore (DPR 915/82, successive disposizioni e disposizioni locali). Quando si sostituisce la batteria dell'RTC (real time clock) o la batteria di supporto, utilizzare soltanto i tipi inseriti nell'appropriato Catalogo parti. L'impiego di una batteria non adatta potrebbe determinare l'incendio o l'esplosione della batteria stessa.

Algunas baterías de reserva contienen una pequeña cantidad de níquel y cadmio. No las desmonte, ni recargue, ni las eche al fuego o al agua ni las cortocircuite. Deséchelas tal como dispone la normativa local. Utilice sólo baterías que se encuentren en la lista de piezas. La utilización de una batería no apropiada puede provocar la ignición o explosión de la misma.

Safety notice 3



The battery pack contains small amounts of nickel. Do not disassemble it, throw it into fire or water, or short-circuit it. Dispose of the battery pack as required by local ordinances or regulations. Use only the battery in the appropriate parts listing when replacing the battery pack. Use of an incorrect battery can result in ignition or explosion of the battery.

La batterie contient du nickel. Ne la démontez pas, ne l'exposez ni au feu ni à l'eau. Ne la mettez pas en court-circuit. Pour la mettre au rebut, conformez-vous à la réglementation en vigueur. Lorsque vous remplacez la batterie, veillez à n'utiliser que les modèles cités dans la liste de pièces détachées adéquate. En effet, une batterie inappropriée risque de prendre feu ou d'exploser.

Akkus enthalten geringe Mengen von Nickel. Sie dürfen nicht zerlegt, wiederaufgeladen, kurzgeschlossen, oder Feuer oder Wasser ausgesetzt werden. Bei der Entsorgung die örtlichen Bestimmungen für Sondermüll beachten. Beim Ersetzen der Batterie nur Batterien des Typs verwenden, der in der Ersatzteilliste aufgeführt ist. Der Einsatz falscher Batterien kann zu Entzündung oder Explosion führen.

מארז הסוללה מכיל כמות קטנה של ניקל וקדמיום. אין לפרק את מארז הסוללה, להשליך אותו לאש או למים או לקצר אותו. יש לסלק את מארז הסוללה הסוללה כנדרש על ידי התקנות והחוקים המקומיים. יש להשתמש רק בסוללה המופיעה ברשימת החלקים המתאימה בזמן החלפת מארז הסוללה. שימוש בסוללה לא מתאימה עלול לגרום להצתה או התפוצצות של הסוללה.

(continued)

(continuation of safety notice 3)

La batteria contiene piccole quantità di nichel. Non smontarla, gettarla nel fuoco o nell'acqua né cortocircuitarla. Smaltirla secondo la normativa in vigore (DPR 915/82, successive disposizioni e disposizioni locali). Quando si sostituisce la batteria, utilizzare soltanto i tipi inseriti nell'appropriato Catalogo parti. L'impiego di una batteria non adatta potrebbe determinare l'incendio o l'esplosione della batteria stessa.

Las baterías contienen pequeñas cantidades de níquel. No las desmonte, ni recargue, ni las eche al fuego o al agua ni las cortocircuite. Deséchelas tal como dispone la normativa local. Utilice sólo baterías que se encuentren en la lista de piezas al sustituir la batería. La utilización de una batería no apropiada puede provocar la ignición o explosión de la misma.

Safety notice 4



The lithium battery can cause a fire, an explosion, or a severe burn. Do not recharge it, remove its polarized connector, disassemble it, heat it above 100°C (212°F), incinerate it, or expose its cell contents to water. Dispose of the battery as required by local ordinances or regulations. Use only the battery in the appropriate parts listing. Use of an incorrect battery can result in ignition or explosion of the battery.

La pile de sauvegarde contient du lithium. Elle présente des risques d'incendie, d'explosion ou de brûlures graves. Ne la rechargez pas, ne retirez pas son connecteur polarisé et ne la démontez pas. Ne l'exposez pas à une température supérieure à 100°C, ne la faites pas brûler et n'en exposez pas le contenu à l'eau. Mettez la pile au rebut conformément à la réglementation en vigueur. Une pile inappropriée risque de prendre feu ou d'exploser.

Die Systematterie ist eine Lithiumatterie. Sie kann sich entzünden, explodieren oder schwere Verbrennungen hervorrufen. Batterien dieses Typs dürfen nicht aufgeladen, zerlegt, über 100 C erhitzt oder verbrannt werden. Auch darf ihr Inhalt nicht mit Wasser in Verbindung gebracht oder der zur richtigen Polung angebrachte Verbindungsstecker entfernt werden. Bei der Entsorgung die örtlichen Bestimmungen für Sondermüll beachten. Beim Ersetzen der Batterie nur Batterien des Typs verwenden, der in der Ersatzteilliste aufgeführt ist. Der Einsatz falscher Batterien kann zu Entzündung oder Explosion führen.

(continued)

(continuation of safety notice 4)

סוללת הליתיום עלולה לגרום לשריפה, להתפוצצות או לכוויות קשות. אין לטעון אותה מחדש, לסלק את המחבר המקוטב שלה, לפרק אותה או לחמם אותה לטמפרטורה העולה על 100 מעלות צלזיוס. אין לשרוף את הסוללה ואין לחשוף את תוכן התא למים. יש לסלק את הסוללה כנדרש בתקנות ובחוקים המקומיים. יש להשתמש רק בסוללה המופיעה ברשימת החלקים המתאימים. שימוש בסוללה אחרת עלול לגרום לסכנת שריפה או התפוצצות.

La batteria di supporto e una batteria al litio e puo incendiarsi, esplodere o procurare gravi ustioni. Evitare di ricaricarla, smontarne il connettore polarizzato, smontarla, riscaldarla ad una temperatura superiore ai 100 gradi centigradi, incendiarla o gettarla in acqua. Smaltirla secondo la normativa in vigore (DPR 915/82, successive disposizioni e disposizioni locali). L'impiego di una batteria non adatta potrebbe determinare l'incendio o l'esplosione della batteria stessa.

La batería de repuesto es una batería de litio y puede provocar incendios, explosiones o quemaduras graves. No la recargue, ni quite el conector polarizado, ni la desmonte, ni caliente por encima de los 100°C (212°F), ni la incinere ni exponga el contenido de sus celdas al agua. Deséchela tal como dispone la normativa local.

Safety notice 5

If the LCD breaks and the fluid from inside the LCD gets into your eyes or on your hands, immediately wash the affected areas with water for at least 15 minutes. Seek medical care if any symptoms from the fluid are present after washing.

Si le panneau d'affichage à cristaux liquides se brise et que vous recevez dans les yeux ou sur les mains une partie du fluide, rincez-les abondamment pendant au moins quinze minutes. Consultez un médecin si des symptômes persistent après le lavage.

Die Leuchtstoffröhre im LCD-Bildschirm enthält Quecksilber. Bei der Entsorgung die örtlichen Bestimmungen für Sondermüll beachten. Der LCD-Bildschirm besteht aus Glas und kann zerbrechen, wenn er unsachgemäß behandelt wird oder der Computer auf den Boden fällt. Wenn der Bildschirm beschädigt ist und die darin befindliche Flüssigkeit in Kontakt mit Haut und Augen gerät, sollten die betroffenen Stellen mindestens 15 Minuten mit Wasser abgespült und bei Beschwerden anschließend ein Arzt aufgesucht werden.

אם מסך הגביש הנוזלי (LCD) נשבר והנוזל מתוך המסך בא במגע עם עיניכם או ידיכם, שטפו את האזורים הנגועים מיד במים במשך 15 דקות לפחות. פנו לקבלת עזרה רפואית אם תסמינים הנובעים מהמגע עם הנוזל נמשכים לאחר השטיפה.

Nel caso che caso l'LCD si dovesse rompere ed il liquido in esso contenuto entrasse in contatto con gli occhi o le mani, lavare immediatamente le parti interessate con acqua corrente per almeno 15 minuti; poi consultare un medico se i sintomi dovessero permanere.

Si la LCD se rompe y el fluido de su interior entra en contacto con sus ojos o sus manos, lave inmediatamente las áreas afectadas con agua durante 15 minutos como mínimo. Obtenga atención medica si se presenta algún síntoma del fluido despues de lavarse.

Safety notice 6



To avoid shock, do not remove the plastic cover that protects the lower part of the inverter card.

Afin d'éviter tout risque de choc électrique, ne retirez pas le cache en plastique protégeant la partie inférieure de la carte d'alimentation.

Aus Sicherheitsgründen die Kunststoffabdeckung, die den unteren Teil der Spannungswandlerplatine umgibt, nicht entfernen.

כדי למנוע התחשמלות, אין להסיר את מכסה הפלסטיק המגן על חלקו התחתון של הכרטיס ההפוך.

Per evitare scosse elettriche, non rimuovere la copertura in plastica che avvolge la parte inferiore della scheda invertitore.

Para evitar descargas, no quite la cubierta de plástico que rodea la parte baja de la tarjeta invertida.

Safety notice 7



Though the main batteries have low voltage, a shorted or grounded battery can produce enough current to burn personnel or combustible materials.

Bien que le voltage des batteries principales soit peu élevé, le court-circuit ou la mise à la masse d'une batterie peut produire suffisamment de courant pour brûler des matériaux combustibles ou causer des brûlures corporelles graves.

Obwohl Hauptbatterien eine niedrige Spannung haben, können sie doch bei Kurzschluß oder Erdung genug Strom abgeben, um brennbare Materialien zu entzünden oder Verletzungen bei Personen hervorzurufen.

אף שהסוללות הראשיות הן בעלות מתח נמוך, סוללה מקוצרת או מוארקת עלולה להפיק זרם מספיק לגרימת כוויות או להצתת חומרים דליקים.

Sebbene le batterie di alimentazione siano a basso voltaggio, una batteria in corto circuito o a massa può fornire corrente sufficiente da bruciare materiali combustibili o provocare ustioni ai tecnici di manutenzione.

Aunque las baterías principales tienen un voltaje bajo, una batería cortocircuitada o con contacto a tierra puede producir la corriente suficiente como para quemar material combustible o provocar quemaduras en el personal.

Safety notice 8



Before removing any FRU, power off the computer, unplug all power cords from electrical outlets, remove the battery pack, and then disconnect any interconnecting cables.

Avant de retirer une unité remplaçable en clientèle, mettez le système hors tension, débranchez tous les cordons d'alimentation des socles de prise de courant, retirez la batterie et déconnectez tous les cordons d'interface.

Die Stromzufuhr muß abgeschaltet, alle Stromkabel aus der Steckdose gezogen, der Akku entfernt und alle Verbindungskabel abgenommen sein, bevor eine FRU entfernt wird.

לפני סילוק FRU כלשהו, יש לכבות את המחשב, לנתק את כל כבלי החשמל משקעי החשמל, להוציא את מארז הסוללה, ואז לנתק כבלי חיבור אחרים אם יש כאלה.

Prima di rimuovere qualsiasi FRU, spegnere il sistema, scollegare dalle prese elettriche tutti i cavi di alimentazione, rimuovere la batteria e poi scollegare i cavi di interconnessione.

Antes de quitar una FRU, apague el sistema, desenchufe todos los cables de las tomas de corriente eléctrica, quite la batería y, a continuación, desconecte cualquier cable de conexión entre dispositivos.

Safety information

The following section presents safety information with which you need to be familiar before you service an IBM mobile computer.

General safety

Follow these rules to ensure general safety:

- Observe good housekeeping in the area of the machines during and after maintenance.
- When lifting any heavy object:
 1. Make sure that you can stand safely without slipping.
 2. Distribute the weight of the object equally between your feet.
 3. Use a slow lifting force. Never move suddenly or twist when you attempt to lift.
 4. Lift by standing or by pushing up with your leg muscles; this action removes the strain from the muscles in your back. *Do not attempt to lift any object that weighs more than 16 kg (35 lb) or that you think is too heavy for you.*
- Do not perform any action that causes hazards to the customer, or that makes the equipment unsafe.
- Before you start the machine, make sure that other service representatives and the customer's personnel are not in a hazardous position.
- Place removed covers and other parts in a safe place, away from all personnel, while you are servicing the machine.
- Keep your toolbox away from walk areas so that other people will not trip over it.
- Do not wear loose clothing that can be trapped in the moving parts of a machine. Make sure that your sleeves are fastened or rolled up above your elbows. If your hair is long, fasten it.
- Insert the ends of your necktie or scarf inside clothing or fasten it with a nonconductive clip, about 8 centimeters (3 inches) from the end.
- Do not wear jewelry, chains, metal-frame eyeglasses, or metal fasteners for your clothing.

Attention: Metal objects are good electrical conductors.
- Wear safety glasses when you are hammering, drilling, soldering, cutting wire, attaching springs, using solvents, or working in any other conditions that might be hazardous to your eyes.

- After service, reinstall all safety shields, guards, labels, and ground wires. Replace any safety device that is worn or defective.
- Reinstall all covers correctly before returning the machine to the customer.
- Fan louvers on the machine help to prevent overheating of internal components. Do not obstruct fan louvers or cover them with labels or stickers.

WARNING

Handling the cord on this product or cords associated with accessories sold with this product will expose you to lead, a chemical known to the State of California to cause cancer, and birth defects or other reproductive harm. ***Wash hands after handling.***

Electrical safety

Observe the following rules when working on electrical equipment.

Important

Use only approved tools and test equipment. Some hand tools have handles covered with a soft material that does not insulate you when working with live electrical currents.

Many customers have, near their equipment, rubber floor mats that contain small conductive fibers to decrease electrostatic discharges. Do not use this type of mat to protect yourself from electrical shock.

- Find the room emergency power-off (EPO) switch, disconnecting switch, or electrical outlet. If an electrical accident occurs, you can then operate the switch or unplug the power cord quickly.
- Do not work alone under hazardous conditions or near equipment that has hazardous voltages.
- Disconnect all power before:
 - Performing a mechanical inspection
 - Working near power supplies
 - Removing or installing main units
- Before you start to work on the machine, unplug the power cord. If you cannot unplug it, ask the customer to power-off the wall box that supplies power to the machine, and to lock the wall box in the off position.
- If you need to work on a machine that has *exposed* electrical circuits, observe the following precautions:

Safety information

- Ensure that another person, familiar with the power-off controls, is near you.

Attention: Another person must be there to switch off the power, if necessary.

- Use only one hand when working with powered-on electrical equipment; keep the other hand in your pocket or behind your back.

Attention: An electrical shock can occur only when there is a complete circuit. By observing the above rule, you may prevent a current from passing through your body.

- When using testers, set the controls correctly and use the approved probe leads and accessories for that tester.
- Stand on suitable rubber mats (obtained locally, if necessary) to insulate you from grounds such as metal floor strips and machine frames.

Observe the special safety precautions when you work with very high voltages; Instructions for these precautions are in the safety sections of maintenance information. Use extreme care when measuring high voltages.

- Regularly inspect and maintain your electrical hand tools for safe operational condition.
- Do not use worn or broken tools and testers.
- *Never assume* that power has been disconnected from a circuit. First, *check* that it has been powered off.
- Always look carefully for possible hazards in your work area. Examples of these hazards are moist floors, nongrounded power extension cables, power surges, and missing safety grounds.
- Do not touch live electrical circuits with the reflective surface of a plastic dental mirror. The surface is conductive; such touching can cause personal injury and machine damage.
- Do not service the following parts *with the power on* when they are removed from their normal operating places in a machine:
 - Power supply units
 - Pumps
 - Blowers and fans
 - Motor generators

and similar units. (This practice ensures correct grounding of the units.)

- If an electrical accident occurs:
 - Use caution; do not become a victim yourself.
 - Switch off power.
 - Send another person to get medical aid.

Safety inspection guide

The purpose of this inspection guide is to assist you in identifying potentially unsafe conditions. As each machine was designed and built, required safety items were installed to protect users and service personnel from injury. This guide addresses only those items. You should use good judgment to identify potential safety hazards due to attachment of non-IBM features or options not covered by this inspection guide.

If any unsafe conditions are present, you must determine how serious the apparent hazard could be and whether you can continue without first correcting the problem.

Consider these conditions and the safety hazards they present:

- Electrical hazards, especially primary power (primary voltage on the frame can cause serious or fatal electrical shock)
- Explosive hazards, such as a damaged CRT face or a bulging capacitor
- Mechanical hazards, such as loose or missing hardware

To determine whether there are any potentially unsafe conditions, use the following checklist at the beginning of every service task. Begin the checks with the power off, and the power cord disconnected.

Checklist:

1. Check exterior covers for damage (loose, broken, or sharp edges).
2. Power off the computer. Disconnect the power cord.
3. Check the power cord for:
 - a. A third-wire ground connector in good condition. Use a meter to measure third-wire ground continuity for 0.1 ohm or less between the external ground pin and the frame ground.
 - b. The power cord should be the type specified in the parts list.
 - c. Insulation must not be frayed or worn.
4. Remove the cover.
5. Check for any obvious non-IBM alterations. Use good judgment as to the safety of any non-IBM alterations.
6. Check inside the unit for any obvious unsafe conditions, such as metal filings, contamination, water or other liquids, or signs of fire or smoke damage.
7. Check for worn, frayed, or pinched cables.

8. Check that the power-supply cover fasteners (screws or rivets) have not been removed or tampered with.

Handling devices that are sensitive to electrostatic discharge

Any computer part containing transistors or integrated circuits (ICs) should be considered sensitive to electrostatic discharge (ESD.) ESD damage can occur when there is a difference in charge between objects. Protect against ESD damage by equalizing the charge so that the machine, the part, the work mat, and the person handling the part are all at the same charge.

Notes

1. Use product-specific ESD procedures when they exceed the requirements noted here.
2. Make sure that the ESD protective devices you use have been certified (ISO 9000) as fully effective.

When handling ESD-sensitive parts:

- Keep the parts in protective packages until they are inserted into the product.
- Avoid contact with other people.
- Wear a grounded wrist strap against your skin to eliminate static on your body.
- Prevent the part from touching your clothing. Most clothing is insulative and retains a charge even when you are wearing a wrist strap.
- Use the black side of a grounded work mat to provide a static-free work surface. The mat is especially useful when handling ESD-sensitive devices.
- Select a grounding system, such as those listed below, to provide protection that meets the specific service requirement.

Note

The use of a grounding system to guard against ESD damage is desirable but not necessary.

- Attach the ESD ground clip to any frame ground, ground braid, or green-wire ground.
- When working on a double-insulated or battery-operated system, use an ESD common ground or reference point. You can use coax or connector-outside shells on these systems.

- Use the round ground prong of the ac plug on ac-operated computers.

Grounding requirements

Electrical grounding of the computer is required for operator safety and correct system function. Proper grounding of the electrical outlet can be verified by a certified electrician.

Laser compliance statement

Some IBM Personal Computer models are equipped from the factory with an optical storage device such as a CD-ROM drive or a DVD-ROM drive. Such devices are also sold separately as options. If one of these drives is installed, it is certified in the U.S. to conform to the requirements of the Department of Health and Human Services 21 Code of Federal Regulations (DHHS 21 CFR) Subchapter J for Class 1 laser products. Elsewhere, the drive is certified to conform to the requirements of the International Electrotechnical Commission (IEC) 825 and CENELEC EN 60 825 for Class 1 laser products.

If a CD-ROM drive, a DVD-ROM drive, or another laser device is installed, note the following:

 **CAUTION:**

Use of controls or adjustments or performance of procedures other than those specified herein might result in hazardous radiation exposure.

O uso de controles, ajustes ou desempenho de procedimentos diferentes daqueles aqui especificados pode resultar em perigosa exposição à radiação.

凡未在这里指明的任何控制用法、调整、行为，都会导致严重后果。

Pour éviter tout risque d'exposition au rayon laser, respectez les consignes de réglage et d'utilisation des commandes, ainsi que les procédures décrites.

Werden Steuer- und Einstellelemente anders als hier festgesetzt verwendet, kann gefährliche Laserstrahlung auftreten.

Az itt előírt eljárásoktól, beállítástól és vezérlésektől eltérni a lézersugárzás veszélye miatt kockázatos !

L'utilizzo di controlli, regolazioni o l'esecuzione di procedure diverse da quelle specificate possono provocare l'esposizione a.

Использование элементов настройки и выполнение процедур иных, чем указано здесь, может привести к опасному радиационному облучению.

Použitie kontrôl, úprav alebo iných vykonaní od iných výrobcov, ako je v tomto špecifikované, mohlo by mať za následok nebezpečenstvo vystavenia sa vyžiarovaniu.

El uso de controles o ajustes o la ejecución de procedimientos distintos de los aquí especificados puede provocar la exposición a radiaciones peligrosas.

Opening the CD-ROM drive, the DVD-ROM drive, or any other optical storage device could result in exposure to hazardous laser radiation. There are no serviceable parts inside those drives. **Do not open.**

A CD-ROM drive, a DVD-ROM drive, or any other storage device installed may contain an embedded Class 3A or Class 3B laser diode. Note the following:

⚠ DANGER

Emits visible and invisible laser radiation when open. Do not stare into the beam, do not view directly with optical instruments, and avoid direct exposure to the beam.

Radiação por raio laser ao abrir. Não olhe fixo no feixe de luz, não olhe diretamente por meio de instrumentos óticos e evite exposição direta com o feixe de luz.

开启时会有激光发射时，请勿盯视激光光束，请勿直接查看视觉仪器，并且避免直接接触在激光光束之中。

Rayonnement laser si carter ouvert. Évitez de fixer le faisceau, de le regarder directement avec des instruments optiques, ou de vous exposer au rayon.

Laserstrahlung bei geöffnetem Gerät. Nicht direkt oder über optische Instrumente in den Laserstrahl sehen und den Strahlungsbereich meiden.

Kinyitáskor lézersugár ! Ne nézzen bele se szabad szemmel, se optikai eszközökkel. Kerülje a sugárnyalábbal való érintkezést !.

Aperto l'unità vengono emesse radiazioni laser. Non fissare il fascio, non guardarlo direttamente con strumenti ottici e evitare l'esposizione diretta al fascio.

Открывая, берегитесь лазерного излучения. Не смотрите на луч, не разглядывайте его с помощью оптических инструментов, а также избегайте прямого воздействия лазерного луча.

Keď je laserová jednotka otvorená. Vyhnite sa priamemu pohľadu a nehladte priamo s optickými nástrojmi do lúča a vyhnite sa priamemu vystaveniu lúčov.

Radiación láser al abrir. No mire fijamente ni examine con instrumental óptico el haz de luz. Evite la exposición directa al haz.

General descriptions

The descriptions in this chapter apply to any ThinkPad model that has the PC-Doctor® DOS diagnostics program. Some descriptions might not apply to your particular computer.

Read this first

Before you go to the checkout guide, be sure to read this section.

Important notes

- **Only certified trained personnel should service the computer.**
- **Before replacing any FRU, read the entire page on removing and replacing FRUs.**
- **When you replace FRUs, use new nylon-coated screws.**
- **Be extremely careful during such write operations as copying, saving, or formatting.** Drives in the computer that you are servicing sequence might have been altered. If you select an incorrect drive, data or programs might be overwritten.
- **Replace an FRU only with another FRU of the correct model.** When you replace a FRU, make sure that the model of the machine and the FRU part number are correct by referring to the FRU parts list.
- **A FRU should not be replaced because of a single, unreproducible failure.** Single failures can occur for a variety of reasons that have nothing to do with a hardware defect, such as cosmic radiation, electrostatic discharge, or software errors. Consider replacing a FRU only when a problem recurs. If you suspect that a FRU is defective, clear the error log and run the test again. If the error does not recur, do not replace the FRU.
- **Be careful not to replace a nondefective FRU.**

What to do first

When you do return a FRU, you must include the following information in the parts exchange form or parts return form that you attach to it:

- ___ 1. Name and phone number of servicer

Read this first

- ___ 2. Date of service
- ___ 3. Date on which the machine failed
- ___ 4. Date of purchase
- ___ 5. Failure symptoms, error codes appearing on the display, and beep symptoms
- ___ 6. Procedure index and page number in which the failing FRU was detected
- ___ 7. Failing FRU name and part number
- ___ 8. Machine type, model number, and serial number
- ___ 9. Customer's name and address

Note for warranty:

During the warranty period, the customer may be responsible for repair costs if the computer damage was caused by misuse, accident, modification, unsuitable physical or operating environment, or improper maintenance by the customer. Following is a list of some common items that are not covered under warranty and some symptoms that might indicate that the system was subjected to stress beyond normal use.

Before checking problems with the computer, determine whether the damage is covered under the warranty by referring to the following list:

The following are not covered under warranty:

- LCD panel cracked from the application of excessive force or from being dropped
- Scratched (cosmetic) parts
- Distortion, deformation, or discoloration of the cosmetic parts
- Plastic parts, latches, pins, or connectors that have been cracked or broken by excessive force
- Damage caused by liquid spilled into the system
- Damage caused by the improper insertion of a PC Card or the installation of an incompatible card
- Diskette drive damage caused by pressure on the diskette drive cover, foreign material in the drive, or the insertion of a diskette with multiple labels
- Damaged or bent diskette eject button
- Fuses blown by attachment of a nonsupported device
- Forgotten computer password (making the computer unusable)
- Sticky keys caused by spilling a liquid onto the keyboard

The following symptoms might indicate damage caused by nonwarranted activities:

- Missing parts might be a symptom of unauthorized service or modification.
- If the spindle of a hard disk drive becomes noisy, it may have been subjected to excessive force, or dropped.

Related service information

This section provides information about the following:

- “Service web site”
- “Restoring the pre-installed system”
- “Passwords” on page 28
- “Power management” on page 32

Service web site

When the latest maintenance diskette and the system program service diskette become available, they will be posted on <http://www.ibm.com/pc/partner/spm>

Restoring the pre-installed system

When the hard disk drive is replaced because of a failure, no Product Recovery program is on the new hard disk. In this case, you must use the recovery CD for the computer. Order the recovery CD and the hard disk drive at the same time so that you can recover the new hard disk drive with the pre-installed software when they arrive. For information on which CD to order, see “Recovery CDs” on page 257

Recovery to Factory Contents by using Product Recovery CDs

To create the service partition and install the factory contents from the recovery CD, do the following:

Note

The recovery process might take up to 2 hours.
--

1. Insert the recovery CD into the CD or DVD drive, then restart the computer.
2. Following message is displayed: **“Your computer originally included a Product Recovery program ... Reinstall the Product Recovery program? (Y/N) []”**.
3. Press Y key. The service partition is created and loaded with the Product Recovery program files.
4. At next window, press Enter to continue.
 - The service partition is created. The system automatically reboots during this process.
 - The recovery process copies some files to the service partition, and PKUNZIPs others.
 - Follow the prompts. You may be prompted to change CDs.
 - When the process is complete, the system reboots.

5. If you get a message asking which operating system to install, select the proper operating system and press Enter.
6. A message is displayed: "**Full Recovery**". Press Enter to select.
7. On each of the next three windows, press the Y key.
8. Follow the prompts to complete the recovery.

Passwords

As many as three passwords may be needed for any ThinkPad computer: the power-on password (POP), the hard-disk password (HDP), and the supervisor password (SVP).

If any of these passwords has been set, a prompt for it appears on the screen whenever the computer is turned on. The computer does not start until the password is entered.

Exception: If only an SVP is installed, the password prompt does not appear when the operating system is booted.

Power-on password:

A power-on password (POP) protects the system from being powered on by an unauthorized person. The password must be entered before an operating system can be booted.

Hard-disk password:

There are two hard-disk passwords (HDPs):

- User HDP—for the user
- Master HDP—for the system administrator, who can use it to get access to the hard disk even if the user has changed the user HDP

Note: There are two modes for the HDP: **User only** and **Master + User**. The **Master + User** mode requires two HDPs; the system administrator enters both in the same operation. The system administrator then provides the user HDP to the system user.

Attention: If the user HDP has been forgotten, check whether a master HDP has been set. If it has, it can be used for access to the hard disk drive. If no master HDP is available, IBM does not provide any services to reset either the user or the master HDP, or to recover data from the hard disk drive. The hard disk drive can be replaced for a scheduled fee.

Supervisor password:

A supervisor password (SVP) protects the system

information stored in the IBM BIOS Setup Utility. The user must enter the SVP in order to get access to the IBM BIOS Setup Utility and change the system configuration.

Attention: If the SVP has been forgotten and cannot be made available to the servicer, there is no service procedure to reset the password. The system board must be replaced for a scheduled fee.

How to remove the power-on password

To remove a POP that you have forgotten, do the following:

(A) If no SVP has been set:

1. Turn off the computer.
2. Remove the battery pack.
For how to remove the battery pack, see “1010 Battery pack” on page 68.
3. Remove the backup battery.
For how to remove the backup battery, see “1130 Backup battery” on page 92.
4. Turn on the computer and wait until the POST ends.
After the POST ends, the password prompt does not appear. The POP has been removed.
5. Reinstall the backup battery and the battery pack.

(B) If an SVP has been set and is known by the servicer:

For R50/R50p:

1. Turn on the computer and watch the lower left of the screen for a message saying, “To interrupt normal startup, press the blue Access IBM button.” When that message appears, press the Access IBM button.
2. Enter the SVP. Double-click **Start setup utility**.
3. Select **Security**, using the cursor keys to move down the menu.
4. Select **Password**.
5. Select **Power-On Password**.
6. At the Enter Current Password field, enter the SVP.
7. When the Enter New Password field opens, leave it blank and press Enter twice.
8. In the Changes have been saved window, press Enter.
9. Press F10; then, in the Setup confirmation window, select **Yes**.

For R51/R51p:

1. Turn on the computer; then, while the “To interrupt normal startup, press the blue Access IBM button”

message is displayed at the lower-left of the screen, press the Access IBM button. IBM Rescue and Recovery screen opens.

For models supporting the Passphrase function, press F1 while POP icon is appearing on the screen; then enter the POP. For the other models, enter the POP.

Note: To check whether the ThinkPad computer supports the Passphrase function, enter IBM BIOS Setup Utility and go to **Security** --> **Password**. If **Using Passphrase** item is displayed in the menu, this function is available on the ThinkPad computer.

2. Click **Access BIOS**. The system Restart Required window is displayed.
3. Click **Yes**. The computer restarts, and the IBM BIOS Setup Utility screen opens.
4. Select **Security**, using the cursor directional keys to move down the menu.
5. Select **Password**.
6. Select **Power-On Password**.
7. Type the current SVP in the **Enter Current Password** field. then leave the **Enter New Password** field blank, and press Enter twice.
8. In the Changes have been saved window, press Enter.
9. Press F10; then, in the Setup confirmation window, select **Yes** .

How to remove the hard-disk password

Attention: If **User only** mode is selected and the user HDP has been forgotten and cannot be made available to the servicer, IBM does not provide any services to reset the user HDPs or to recover data from the hard disk drive. The hard disk drive can be replaced for a scheduled fee.

To remove a user HDP that has been forgotten, when the SVP and the master HDP are known, do the following:

For R50/R50p series:

1. Turn on the computer and watch the lower left of the screen for a message saying, "To interrupt normal startup, press the blue Access IBM button." When that message appears, press the Access IBM button.
2. For the ThinkPad T40 and T40p series, enter the master HDP. For the ThinkPad T41 and T41 series, press F1 while HDP icon is appearing on the screen; then enter the master HDP.
3. Select **Start setup utility**. Enter the SVP.

4. Select **Security**, using the cursor keys to move down the menu.
5. Select **Password**.
6. Select **Hard-disk x password**, where x is the letter of the hard disk drive. A pop-up window opens.
7. Select **Master HDP**.
8. Enter the master HDP; then leave the New Password field blank and press Enter twice.
9. Press F10.
10. Select **Yes** in the Setup Configuration window.
Both user HDP and master HDP will have been removed.

For R51/R51p series:

1. Turn on the computer; then, while the “To interrupt normal startup, press the blue Access IBM button” message is displayed at the lower-left of the screen, press the Access IBM button. IBM Rescue and Recovery screen opens.

For models supporting the Passphrase function, press F1 while HDP icon is appearing on the screen; then enter the master HDP. For the other models, enter the master HDP.

Note: To check whether the ThinkPad computer supports the Passphrase function, enter IBM BIOS Setup Utility and go to **Security --> Password**. If **Using Passphrase** item is displayed in the menu, this function is available on the ThinkPad computer.

2. Click **Access BIOS**. The system Restart Required window is displayed.
3. Click **Yes**. The computer restarts, and the IBM BIOS Setup Utility screen opens.
4. Select **Security**, using the cursor directional keys to move down the menu.
5. Select **Password**.
6. Select **Hard-disk x password**, where x is the letter of the hard disk drive. A pop-up window opens.
7. Select **Master HDP**.
8. Type the current master HDP in the **Enter Current Password** field. then leave the **Enter New Password** field blank, and press Enter twice.
9. Press F10.
10. Select **Yes** in the Setup Configuration window.
Both user HDP and master HDP will have been removed.

Power management

To reduce power consumption, the computer has three power management modes: screen blank, standby, and hibernation.

Screen blank mode

Screen blank mode has three variants, as follows:

1. If you press Fn+F3, or if the time set on the “LCD off timer” in IBM BIOS Setup Utility expires,
 - The LCD backlight turns off.
 - The hard disk drive motor stops.
 - The speaker is muted.
2. If you are using the ACPI operating system and you press Fn+F3,
 - The LCD backlight turns off.
 - The hard disk drive motor stops.
3. If the time set on the “Turn off monitor” timer in the operating system expires,
 - The LCD backlight turns off.

To end screen blank mode and resume normal operation, press any key.

Standby mode

When the computer enters standby mode, the following events occur in addition to what occurs in screen blank mode:

- The LCD is powered off.
- The hard disk drive is powered off.
- The CPU stops.

To enter standby mode, press Fn+F4.

Note: If you are using the ACPI operating system, you can change the action of Fn+F4.s

In certain circumstances, the computer goes into standby mode automatically:

- If a “suspend time” has been set on the timer, and the user does not do any operation with the keyboard, the TrackPoint, the hard disk, the parallel connector, or the diskette drive within that time.
- If the battery indicator blinks orange, indicating that the battery power is low. (Alternatively, if **Hibernate when battery becomes low** has been selected in the “Power Management Properties” window, the computer goes into hibernation mode.)

To cause the computer to return from standby mode and resume operation, do one of the following:

- Press the Fn key.

- Open the LCD cover.
- Turn on the power switch.

Also, in either of the following events, the computer automatically returns from standby mode and resumes operation:

- The ring indicator (RI) is signaled by a serial device or a PC Card device.
- The time set on the resume timer elapses.

Note: The computer does not accept any input immediately after it enters standby mode. Wait a few seconds before taking any action to reenter operation mode.

Hibernation mode

In hibernation mode, the following occurs:

- The system status, RAM, VRAM, and setup data are stored on the hard disk.
- The system is powered off.

Note: If the computer enters the hibernation mode while it is docked to the docking station, do not undock it before resuming normal operation. If you do undock it and then try to resume normal operation, you will get an error message, and you will have to restart the system.

To cause the computer to enter hibernation mode, do any of the following:

- Press the Fn+F12 keys.
- If you are using the ACPI operating system and have defined one of the following actions as the event that causes the system to go into hibernation mode, perform that action.
 - Closing the lid.
 - Pressing the power button.
 - Pressing Fn+F4 keys.

Also, the computer goes into hibernation mode automatically in either of the following conditions:

- If a “hibernation time” has been set on the timer, and if the user does not do any operation with the keyboard, the TrackPoint, the hard disk drive, the parallel connector, or the diskette drive within that time.
- If the timer conditions are satisfied in suspend mode.

When the power is turned on, the computer returns from hibernation mode and resumes operation. The hibernation file in the boot record on the hard disk drive is read, and system status is restored from the hard disk drive.

Checkout guide

Use the following procedures as a guide in identifying and correcting problems with the ThinkPad computer.

Note: The diagnostic tests are intended to test only IBM products. The use of non-IBM products, prototype cards, or modified options can lead to false indications of errors and invalid system responses.

1. Identify the failing symptoms in as much detail as possible.
2. Verify the symptoms. Try to re-create the failure by running the diagnostic test or by repeating the operation.

Testing the computer

The ThinkPad computer has a test program called PC-Doctor[®] DOS (hereafter called *PC-Doctor*.) You can detect errors by running the diagnostics test included in PC-Doctor. This section is an overview of the procedure. For details that depend on model-unique functions, refer to “Product overview” on page 43.

For some possible configurations of the computer, PC-Doctor might not run correctly. To avoid this problem, you need to initialize the computer setup by use of the IBM BIOS Setup Utility before you run PC-Doctor. On the IBM BIOS Setup Utility screen, press F9, Enter, F10, and then Enter.

Note: When you initialize the computer configuration, some devices are disabled, such as the serial port. If you test one of these devices, you will need to enable it by using PS2.EXE.

PC-Doctor cannot be used to test a device that is in the docking station, even if the computer supports the docking station. To test a USB device, connect it to the USB connector of the computer.

Creating the PC-Doctor diagnostics diskette

To create the PC-Doctor disk from the Access IBM Predesktop Area, do as follows:

1. Enter the IBM Predesktop application by pressing the Access IBM button during POST.
2. When the Access IBM application finishes loading, double-click the “Create Diagnostic Diskettes” icon.
3. Authenticating the digital signature takes about 15 seconds; then the ThinkPad computer will reboot into PC-DOS.

4. A batch file automatically starts up to prompt you through the process of creating diskettes. You are notified of how many diskettes you will need.
 - a. You are prompted to insert each diskette in sequence.
 - b. Typically, all you need to do is to press the Enter key for the floppy drive; the system then formats and creates the diskette.
 - c. Each diskette is erased and formatted with the PC-Doctor DOS boot image.
5. As soon as all the diskettes have been created, the ThinkPad computer reboots. You then receive a message asking you to remove the last diskette from the drive or, if you want to run the diagnostics, to insert the first diskette.

To run the test, do as follows:

Note: In the following procedure, you can select an item not only with the arrow keys, but also with the TrackPoint pointer. Instead of pressing Enter, click the left button.

1. Insert the PC-Doctor disk into the diskette drive; then power on the computer.

If the computer cannot be powered on, go to “Power system checkout” on page 37, and check the power sources.

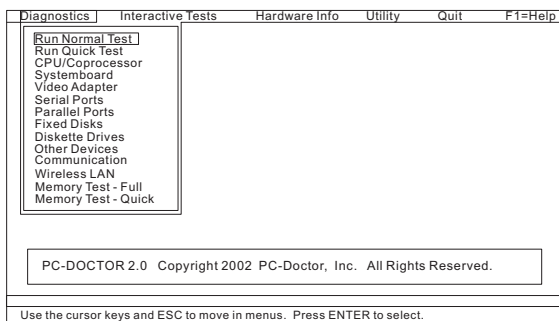
If an error code appears, go to “Symptom-to-FRU index” on page 54.

On the first screen, select the model and press Enter. Follow the instructions on the screen.

2. The main panel of PC-Doctor appears.
3. Select **Diagnostics** with the arrow keys, and press Enter.

A pull-down menu appears. (Its exact form depends on the model.)

Note: PC-Doctor menu does not mean the formal support device list. Some unsupported device names may appear in the PC-Doctor menu.



The options on the test menu are as follows:

Diagnostics	Interactive Tests
<ul style="list-style-type: none"> • Run Normal Test • Run Quick Test • CPU/Coprocessor • Systemboard • Video Adapter • Serial Ports • Parallel Ports • Fixed Disks • Diskette Drives • Other Devices • Communication • Wireless LAN • Memory Test – Full • Memory Test – Quick 	<ul style="list-style-type: none"> • Keyboard • Video • Internal Speaker • Mouse • Diskette • System Load • CD-ROM/DVD Test • Intel Wireless Radio
<p>Notes:</p> <ul style="list-style-type: none"> • In the Keyboard test in Interactive Tests, the Fn key should be held down for at least 2 seconds; otherwise, it cannot be sensed. • Video Adapter test supports only the LCD display on the ThinkPad computer. If you have an external monitor attached to your computer, detach it before running PC-Doctor DOS. • To test Digital Signature Chip, the chip must be enabled. • When Legacy Floppy Drives is enabled in the IBM BIOS Setup Utility, the Diskette Drives test is activated even if no legacy diskette drive is attached to the ThinkPad computer. 	

4. Run the applicable function test.
5. Follow the instructions on the screen. If there is a problem, PC-Doctor shows messages describing it.
6. To exit the test, select **Quit — Exit Diag**.
To cancel the test, press Esc.

Note: After running PC-Doctor, check the time and date on the system and reset them if they are incorrect.

Detecting system information with PC-Doctor

PC-Doctor can detect the following system information:

Hardware Info

- System Configuration
- Memory Contents
- Physical Disk Drives
- Logical Disk Drives
- VGA Information
- IDE Drive Info
- PCI Information
- PNPISA Info
- SMBIOS Info
- VESA LCD Info

Utility

- Run External Tests
- Surface Scan Hard Disk
- Benchmark System
- DOS Shell
- Tech Support Form
- Battery Rundown
- View Test Log
- Print Log
- Save Log
- Full Erase Hard Drive
- Quick Erase Hard Drive

Power system checkout

To verify a symptom, do the following:

1. Turn off the computer.
2. Remove the battery pack.
3. Connect the ac adapter.
4. Check that power is supplied when you turn on the computer.
5. Turn off the computer.
6. Disconnect the ac adapter and install the charged battery pack.
7. Check that the battery pack supplies power when you turn on the computer.

If you suspect a power problem, see the appropriate one of the following power supply checkouts:

- “Checking the ac adapter” on page 38
- “Checking operational charging” on page 38
- “Checking the battery pack” on page 38
- “Checking the backup battery” on page 39

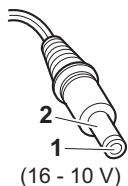
Checking the ac adapter

You are here because the computer fails only when the ac adapter is used.

- If the power problem occurs only when the port replicator is used, replace the port replicator.
- If the power-on indicator does not turn on, check the power cord of the ac adapter for correct continuity and installation.
- If the computer does not charge during operation, go to "Checking operational charging."

To check the ac adapter, do the following:

1. Unplug the ac adapter cable from the computer.
2. Measure the output voltage at the plug of the ac adapter cable. See the following figure:



Pin	Voltage (V dc)
1	+15.5 to +17.0
2	Ground

3. If the voltage is not correct, replace the ac adapter.
4. If the voltage is acceptable, do the following:
 - Replace the system board.
 - If the problem persists, go to "Product overview" on page 43.

Note: Noise from the ac adapter does not always indicate a defect.

Checking operational charging

To check whether the battery charges properly during operation, use a discharged battery pack or a battery pack that has less than 50% of the total power remaining when installed in the computer.

Perform operational charging. If the battery status indicator or icon does not turn on, remove the battery pack and let it return to room temperature. Reinstall the battery pack. If the charge indicator or icon still does not turn on, replace the battery pack.

If the charge indicator still does not turn on, replace the system board. Then reinstall the battery pack. If it is still not charged, go to the next section.

Checking the battery pack

Battery charging does not start until the Power Meter shows that less than 95% of the total power remains;

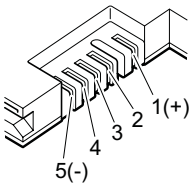
under this condition the battery pack can charge to 100% of its capacity. This protects the battery pack from being overcharged or from having a shortened life.

To check your battery, move your cursor to the Power Meter icon in the icon tray of the Windows taskbar and wait for a moment (but do not click), and the percentage of battery power remaining is displayed. To get detailed information about the battery, double-click the Power Meter icon.

Note: If the battery pack becomes hot, it may not be able to charge. Remove it from the computer and leave it at room temperature for a while. After it cools down, reinstall and recharge it.

To check the battery pack, do the following:

1. Turn off the computer.
2. Remove the battery pack and measure the voltage between battery terminals 1 (+) and 5 (-). See the following figure:



Terminal	Voltage (V dc)
1	+ 0 to + 12.6
5	Ground (-)

3. If the voltage is less than +11.0 V dc, the battery pack has been discharged.

Note: Recharging will take at least 3 hours, even if the indicator does not turn on.

If the voltage is still less than +11.0 V dc after recharging, replace the battery.

4. If the voltage is more than +11.0 V dc, measure the resistance between battery terminals 4 and 5. The resistance must be 4 to 30 K Ω .

If the resistance is not correct, replace the battery pack. If the resistance is correct, replace the system board.

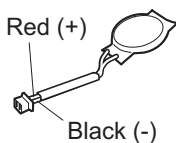
Checking the backup battery

Do the following:

1. Turn off the computer, and unplug the ac adapter from it.
2. Turn the computer upside down.
3. Remove the battery pack (see “1010 Battery pack” on page 68).

Checkout guide

4. Remove the backup battery (see “Checking the battery pack” on page 38).
5. Measure the voltage of the backup battery. See the following figure.



Wire	Voltage (V dc)
Red	+2.5 to +3.2
Black	Ground

- If the voltage is correct, replace the system board.
- If the voltage is not correct, replace the backup battery.
- If the backup battery discharges quickly after replacement, replace the system board.

ThinkPad R50/R50p and R51 Series

Product overview	43
Specifications	43
Status indicators	48
FRU tests	50
Fn key combinations	52
Symptom-to-FRU index	54
Numeric error codes	54
Error messages	59
Beep symptoms	60
No-beep symptoms	60
LCD-related symptoms	61
Intermittent problems	62
Undetermined problems	62
FRU replacement notices	63
Screw notices	63
Retaining serial numbers.	64
Restoring the serial number of the system unit	64
Retaining the UUID	65
Reading or writing the ECA information	65
Removing and replacing a FRU.	67
1010 Battery pack.	68
1020 Ultrabay Enhanced device	69
1030 Hard disk drive	70
1040 DIMM (optional)	72
1050 Keyboard	73
1060 DIMM (standard)	77
1070 Modem daughter card (MDC/MDC-2)	78
1080 Bluetooth/Modem daughter card (BMDC/BMDC-2)	80
1090 Keyboard bezel.	82
1100 Mini PCI adapter	86
1110 Fan assembly	90
1120 CPU	91
1130 Backup battery	92
1140 Speaker assembly	93
1150 IEEE 1394 cable	95
1160 PC Card slots assembly	98
1170 Ultrabay Enhanced shield kit	100
1180 LCD assembly.	107
1190 VGA and Ultrabay Enhanced device eject button cable	111
1200 System board, interposer card, and base cover	114
2010 LCD front bezel	121
2020 Inverter card	123
2030 LCD panel, LCD cable assembly, wireless LAN antenna assembly, hinges, and LCD cover.	124
3010 ThinkPad Dock II PCI cover.	134
3020 ThinkPad Dock II top cover	135
Locations	138

Front view	138
Rear view	140
Bottom view	141
Parts list	142
R50/R50p and R51 series model matrix	142
Overall	189
LCD FRUs	236
14.1-in. XGA TFT	237
15.0-in. XGA TFT	243
15.0-in. SXGA+ IPS TFT	249
15.0-in. UXGA IPS TFT	253
15.0-in. QXGA IPS TFT	254
AC adapters	254
Keyboard	255
Recovery CDs	257
For Windows XP Professional (R50/R50p series)	257
For Windows XP Professional (R51 series)	258
For Windows XP Home Edition (R50/R50p series)	262
For Windows XP Home Edition (R51 series)	263
Miscellaneous parts	265
Optional FRUs	269
Common parts list	270
Tools	270
Power cords (system)	270
Power cords (ThinkPad Dock and ThinkPad Dock II)	271
Notices	272
Trademarks	272

Product overview

This section presents the following product-unique information:

- “Specifications”
- “Status indicators” on page 48
- “FRU tests” on page 50
- “Fn key combinations” on page 52

Specifications

The following table lists the specifications of the ThinkPad R50/R50p and R51 series:

Feature	Description
Processor	<p>R50 series:</p> <ul style="list-style-type: none"> • Intel® Pentium® M processor 1.4 GHz, L2 1-MB cache • Intel® Pentium® M processor 1.5 GHz, L2 1-MB cache • Intel® Pentium® M processor 1.6 GHz, L2 1-MB cache • Intel® Pentium® M processor 1.7 GHz, L2 1-MB cache <p>R50p series:</p> <ul style="list-style-type: none"> • Intel® Pentium® M processor 1.7 GHz, L2 1-MB cache <p>R51 series:</p> <ul style="list-style-type: none"> • Mobile Intel® Celeron® processor 1.2 GHz, L2 1-MB cache • Mobile Intel® Celeron® processor 1.3 GHz, L2 1-MB cache • Mobile Intel® Celeron® processor 1.4 GHz, L2 1-MB cache • Intel® Pentium® M processor 1.5 GHz, L2 1-MB cache • Intel® Pentium® M processor 1.6 GHz, L2 1-MB cache • Intel® Pentium® M processor 1.7 GHz, L2 1-MB cache • Intel® Pentium® M processor 715 (1.5A GHz), L2 2-MB cache • Intel® Pentium® M processor 725 (1.6A GHz), L2 2-MB cache • Intel® Pentium® M processor 735 (1.7A GHz), L2 2-MB cache • Intel® Pentium® M processor 745 (1.8 GHz), L2 2-MB cache • Intel® Pentium® M processor 755 (2.0 GHz), L2 2-MB cache

(continued)

Feature	Description
Standard memory	<p>R50 series:</p> <ul style="list-style-type: none"> • 256 MB DDR SDRAM SO-DIMM (PC2700) card × 1 • 512 MB DDR SDRAM SO-DIMM (PC2700) card × 1 <p>R50p series:</p> <ul style="list-style-type: none"> • 512 MB DDR SDRAM SO-DIMM (PC2700) card × 1 • 1 GB DDR SDRAM SO-DIMM (PC2700) card × 1 <p>R51 series:</p> <ul style="list-style-type: none"> • 128 MB DDR SDRAM SO-DIMM (PC2700) card × 1 • 256 MB DDR SDRAM SO-DIMM (PC2700) card × 1 • 512 MB DDR SDRAM SO-DIMM (PC2700) card × 1
Optional memory	<ul style="list-style-type: none"> • 128 MB DDR SDRAM SO-DIMM (PC2700) card • 256 MB DDR SDRAM SO-DIMM (PC2700) card • 512 MB DDR SDRAM SO-DIMM (PC2700) • 1 GB DDR SDRAM SO-DIMM (PC2700) (maximum of 2048 MB)
Bus architecture	<ul style="list-style-type: none"> • 400 MHz PSB (Processor System Bus) • 333 MHz DDR (Double Data Rate) SDRAM (Synchronous DRAM) (PC2700) • HUB link • PCI bus • LPC bus
Graphic memory chip	<p>R50 series:</p> <ul style="list-style-type: none"> • 32 MB DDR SDRAM (ATI M7-32) • 32 MB DDR SDRAM (ATI M9-32) <p>R50p series:</p> <ul style="list-style-type: none"> • 128 MB DDR SDRAM (ATI M10 GL-128) <p>R51 series:</p> <ul style="list-style-type: none"> • Intel 855GME (total video memory: UMA, 64 MB) • 32 MB DDR SDRAM (ATI M7-32) • 32 MB DDR SDRAM (ATI M9-32)
CMOS RAM	<ul style="list-style-type: none"> • 242 bytes

(continued)

Feature	Description
I/O port	<ul style="list-style-type: none"> • External monitor connector • Stereo headphone jack • Monaural microphone jack • Infrared port • Parallel connector • Docking connector • RJ11 connector • RJ45 connector • TV-out connector (S-Video) • Video-in connector • Universal serial bus (USB) 2.0 connector × 2 (compatible with USB 1.1 and 2.0) • IEEE 1394 connector (some models)
Internal modem	<ul style="list-style-type: none"> • 56.6 Kbps
Audio	<ul style="list-style-type: none"> • 1 W built-in stereo speaker × 2 • Software control volume
Infrared transfer	<ul style="list-style-type: none"> • IrDA 1.1
Display	<p>R50 series:</p> <ul style="list-style-type: none"> • 14.1-inch, 16M colors, XGA (1024 × 768 resolution) TFT color LCD • 15.0-inch, 16M colors, XGA (1024 × 768 resolution) TFT color LCD • 15.0-inch, 16M colors, SXGA+ (1400 × 1050 resolution) IPS (in-plane switching) TFT color LCD <p>R50p series:</p> <ul style="list-style-type: none"> • 15.0-inch, 16M colors, UXGA (1600 × 1200 resolution) IPS TFT color LCD • 15.0-inch, 16M colors, QXGA (2048 × 1536 resolution) IPS TFT color LCD (supported by CTO) <p>R51 series:</p> <ul style="list-style-type: none"> • 14.1-inch, 16M colors, XGA (1024 × 768 resolution) TFT color LCD • 15.0-inch, 16M colors, XGA (1024 × 768 resolution) TFT color LCD • 15.0-inch, 16M colors, SXGA+ (1400 × 1050 resolution) IPS TFT color LCD

(continued)

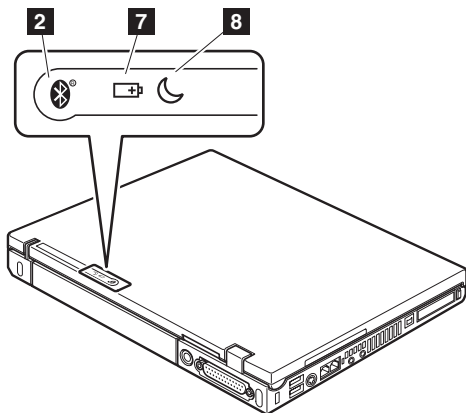
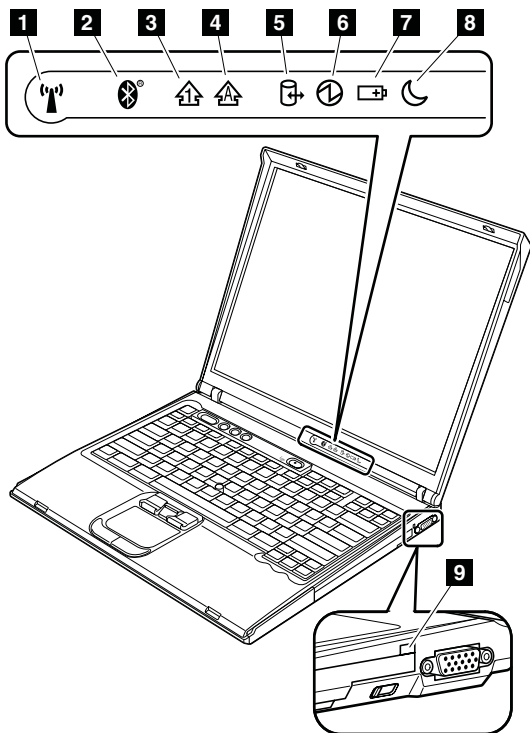
Feature	Description
Ultrabay Enhanced device	<p>R50 series:</p> <ul style="list-style-type: none"> • CD-ROM drive, 12.7 mm high • DVD drive, 12.7 mm high • DVD/CD-RW combo drive, 12.7 mm high • DVD-RW/CD-RW combo drive, 12.7 mm high (option) <p>R50p series:</p> <ul style="list-style-type: none"> • CD-ROM drive, 12.7 mm high • DVD/CD-RW combo drive, 12.7 mm high • DVD-RW/CD-RW combo drive, 12.7 mm high <p>R51 series:</p> <ul style="list-style-type: none"> • CD-ROM drive, 12.7 mm high • DVD drive, 12.7 mm high • DVD/CD-RW combo drive, 12.7 mm high • DVD-RW/CD-RW combo drive, 12.7 mm high • DVD drive, 9.5 mm high (option) • DVD/CD-RW combo drive, 9.5 mm high (option)
Touch pad	<ul style="list-style-type: none"> • UltraNav
ThinkLight	Yes
Hard disk drive	<p>R50 series:</p> <ul style="list-style-type: none"> • 30.0 GB, 4200 rpm, 9.5 mm high, IDE interface • 40.0 GB, 4200 rpm, 9.5 mm high, IDE interface • 60.0 GB, 4200 rpm, 9.5 mm high, IDE interface <p>R50p series:</p> <ul style="list-style-type: none"> • 60.0 GB, 7200 rpm, 9.5 mm high, IDE interface • 80.0 GB, 4200 rpm, 9.5 mm high, IDE interface <p>R51 series:</p> <ul style="list-style-type: none"> • 20.0 GB, 4200 rpm, 9.5 mm high, IDE interface • 30.0 GB, 4200 rpm, 9.5 mm high, IDE interface • 40.0 GB, 4200 rpm, 9.5 mm high, IDE interface • 60.0 GB, 4200 rpm, 9.5 mm high, IDE interface







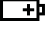
(continued)

Feature	Description
Integrated wireless LAN feature	<ul style="list-style-type: none"> • 802.11b • 802.11b/g • 802.11a/b/g and <i>Bluetooth</i> wireless
Mini PCI adapter	<p>R50/ R50p series:</p> <ul style="list-style-type: none"> • Intel® PRO/Wireless LAN 2100 3B Mini PCI Adapter (802.11b) • IBM 11a/b/g Wireless LAN Mini PCI Adapter (802.11a/b/g) <p>R51 series:</p> <ul style="list-style-type: none"> • Intel® PRO/Wireless LAN 2100 3B Mini PCI Adapter (802.11b) • IBM 11a/b/g Wireless LAN Mini PCI Adapter (802.11a/b/g) • Intel® PRO Wireless 2200BG Mini-PCI Adapter • IBM 11b/g Wireless LAN Mini PCI Adapter • IBM 11a/b/g Wireless LAN Mini PCI Adapter II
PC Card	<p>R50 series and R51 series:</p> <ul style="list-style-type: none"> • One Type-III • One Type-II <p>R50p series:</p> <ul style="list-style-type: none"> • One Type-III • Two Type-II
Ethernet (on the system board)	<p>R50 series and R51 series:</p> <ul style="list-style-type: none"> • 10/100Base Ethernet • Gigabit Ethernet <p>R50p series:</p> <ul style="list-style-type: none"> • Gigabit Ethernet
Communication daughter card (CDC)	<p>R50/R50p series:</p> <ul style="list-style-type: none"> • V.90 modem daughter card (MDC) • IBM Integrated <i>Bluetooth</i> with 56K Modem (BMDC) <p>R51 series:</p> <ul style="list-style-type: none"> • IBM Integrated 56K Modem (MDC-2) • IBM Integrated <i>Bluetooth</i> III with 56K Modem (BMDC-2)
Battery	<ul style="list-style-type: none"> • Li-ion battery (6 cells) • Li-ion battery (9 cells) • Ultrabay Enhanced Li Polymer battery, 3 cells (option)
AC adapter	<ul style="list-style-type: none"> • 72-watt type
Preinstalled operating system	<ul style="list-style-type: none"> • Windows XP Professional • Windows XP Home Edition


Status indicators

The system status indicators show the status of the computer, as follows:



Indicator	Meaning
1 Wireless status 	Green: The wireless feature (the IEEE 802.11 standard) is on, and the radio link is ready for use. Blinking green: Data is being transmitted.
2 Bluetooth wireless status 	Green: <i>Bluetooth</i> wireless feature is operational. This indicator is on when <i>Bluetooth</i> wireless feature is on and not in suspend mode.
3 Num lock 	Green: The numeric keypad on the keyboard is enabled. To enable or disable the keypad, press and hold the Shift key, and press the NumLk (ScrLk) key.
5 Caps lock 	Green: Caps Lock mode is enabled. To enable or disable Caps Lock mode, press the Caps Lock key.
5 Drive in use 	Green: Data is being read from or written to the hard disk drive, the diskette drive, or the drive in the Ultrabay Enhanced device. When this indicator is on, do not put the computer into standby mode or turn off the computer. Note: Do not move the system while the green drive-in-use light is on. Sudden physical shock could cause drive errors.
6 Power-on 	Green: The computer is on and ready to use. This indicator stays lit whenever the computer is on and is not in standby mode.
7 Battery status 	Green: The battery is in use and has enough power. The ac adapter has charged the battery completely. Blinking green: The battery is being charged, but still has enough power to operate. (At regular intervals, the indicator light turns off briefly.) Orange: The battery is being charged, but the battery power is still low. Blinking orange: The battery needs to be charged. When the indicator starts blinking orange, the computer beeps three times.

(continued)

Indicator	Meaning
8 Standby status 	Green: The computer is in standby mode. Blinking green: The computer is entering standby mode or hibernation mode, or is resuming normal operation.
9 Ultrabay Enhanced status	Green: An Ultrabay Enhanced device is installed and in use. Blinking green: An Ultrabay Enhanced device is in the process of being detached. Turn off: An Ultrabay Enhanced device is ready to be attached or detached.

FRU tests

The following table shows the test for each FRU.

FRU	Applicable test
System board	1. Diagnostics --> CPU/Coprocessor 2. Diagnostics --> Systemboard 3. If the docking station or the port replicator is attached to the ThinkPad computer, undock it. Place the computer on a horizontal surface, and run Diagnostics --> Other Devices --> IBM HDD Active Protection Test . Note: Do not apply any physical shock to the computer while the test is running.
Power	Diagnostics --> Other Devices --> IBM AC Adapter, IBM Battery 1 (IBM Battery 2)
LCD unit	1. Diagnostics --> Video Adapter 2. Interactive Tests --> Video
Modem daughter card (MDC or BMDC)	1. Make sure the modem is set up correctly. 2. Replace the modem jack and the modem card in turn, and run the following tests in Diagnostics --> Communication: <ol style="list-style-type: none"> Lucent Soft Modem Loopback Lucent Soft Modem Dialtone Conexant Smart Modem Interrupt Conexant Smart Modem Dialtone
Audio	1. Interactive Tests --> Internal Speaker 2. Diagnostics --> Other Devices --> Analog Devices AC97 CODEC Test
Speaker	Interactive Tests --> Internal Speaker

(continued)

FRU	Applicable test
PC Card slots	<ol style="list-style-type: none"> 1. Diagnostics --> Systemboard --> PCMCIA 2. Insert a PC Card Wrap Plug into every PC Card slot, and run Diagnostics --> Systemboard --> PCMCIA External Loop
Keyboard	<ol style="list-style-type: none"> 1. Diagnostics --> Systemboard --> Keyboard 2. Interactive Tests --> Keyboard
Hard-disk drive	Diagnostics --> Fixed Disks
Diskette drive	<ol style="list-style-type: none"> 1. Diagnostics --> Diskette Drives 2. Interactive Tests --> Diskette
DVD drive or DVD/CD-RW combo drive	<ol style="list-style-type: none"> 1. Diagnostics --> Other Devices --> CD-ROM/DVD 2. Interactive Tests --> CD-ROM/DVD Test
Memory	<ol style="list-style-type: none"> 1. If two DIMMs are installed, remove one of them and run Diagnostics --> Memory Test—Quick. 2. If the problem does not recur, return the DIMM to its place, remove the other one, and run the test again. 3. If the test does not detect the error, run Diagnostics --> Memory Test—Full.
Fan	<ol style="list-style-type: none"> 1. Turn on the computer and check the air turbulence at the louver near the PC Card slot. 2. Run Diagnostics --> Other Devices --> IBM Fan.
TrackPoint or pointing device	<p>If the TrackPoint does not work, check the configuration as specified in the ThinkPad Configuration program. If the TrackPoint is disabled, select Automatic to enable it.</p> <p>After you use the TrackPoint, the pointer may drift on the screen for a short time. This drift can occur when a slight, steady pressure is applied to the TrackPoint pointer. This symptom is not a hardware problem. If the pointer stops after a short time, no service action is necessary.</p> <p>If enabling the TrackPoint does not correct the problem, continue with the following:</p> <ul style="list-style-type: none"> • Interactive Tests --> Mouse
Touch Pad	<p>If the Touch Pad does not work, check the configuration as specified in the ThinkPad Configuration program. If the Touch Pad is disabled, select Automatic to enable it. If enabling the Touch Pad does not correct the problem, continue with the following:</p> <ul style="list-style-type: none"> • Interactive Tests --> Mouse

Fn key combinations

The following table shows the function of each combination of Fn with a function key.

Key combination	Description
Fn+F1	Reserved.
Fn+F2	Reserved.
Fn+F3	Turn off the computer display, leaving the screen blank. To turn the computer display on again, press any key or press the TrackPoint pointing stick.
Fn+F4	Put the computer in standby mode. To return to normal operation, press the Fn key only, without pressing a function key. Note: This combination of keys functions as a sleep button. The setting can be changed so that pressing it puts the computer into hibernation mode or even shuts the computer down.
Fn+F5	Control the power source of the built-in <i>Bluetooth</i> wireless device. This combination of the keys functions as a toggle switch of the power state. Note: In Windows 2000 or Windows XP, this combination of keys enables or disables the built-in wireless networking features (the IEEE 802.11 standard) and the <i>Bluetooth wireless</i> features. To use this function, the following drivers must be installed. <ul style="list-style-type: none"> • IBM ThinkPad Power Management driver • OnScreen Display utility • Wireless device drivers
Fn+F6	Reserved.
Fn+F7	Switch a display output location <ul style="list-style-type: none"> • External monitor (CRT display) • Computer display and external monitor (LCD + CRT display) • Computer display (LCD) Note: For any operating system other than Windows 2000 or Windows XP, no additional procedure is needed; just press Fn+F7. Notes: <ol style="list-style-type: none"> 1. This function does not work when different desktop images are displayed on the computer display and the external monitor (the Extend desktop function). 2. This function does not work while a DVD movie or a video clip is playing. 3. For Windows 2000 or Windows XP, a hotkey application might take over the switching function.

(continued)

Key combination	Description
Fn+F8	If the image displayed on the computer is smaller than the physical display, switch the computer screen size between expanded mode and normal mode.
Fn+F9	<p>Open the IBM ThinkPad EasyEject Utility screen. Buttons for the following choices are displayed:</p> <ul style="list-style-type: none"> • Eject ThinkPad PC from Dock: This button is displayed only if the ThinkPad computer has been attached to a ThinkPad Dock II. The computer can be detached from the ThinkPad Dock II. • Eject ThinkPad PC from Mini Dock: This button is displayed only if the ThinkPad computer has been docked in a ThinkPad Mini Dock and one or more USB devices have been connected to the ThinkPad Mini Dock. You can stop and remove all the USB devices safely by clicking the button. Note: If a diskette drive is connected to the external-diskette-drive connector of the ThinkPad Mini Dock, you cannot connect a USB diskette drive. • Run EasyEject Actions: This button is used to select, stop, or remove external devices connected to the ThinkPad computer. • Configure EasyEject Actions: Opens the IBM ThinkPad EasyEject Utility main window. • Fn+F9 Settings: Configures the settings for the Fn+F9 function. <p>You can use this utility to stop and remove all ejectable devices connected to the ThinkPad computer, the ThinkPad Mini Dock, or the ThinkPad Port Replicator II. You cannot use it to detach the computer from the ThinkPad Mini Dock or the ThinkPad Port Replicator II.</p>
Fn+F10	Reserved.
Fn+F11	Reserved.
Fn+F12	<p>Put the computer into hibernation mode. To return to normal operation, press the power button for less than four seconds.</p> <p>Note: To use Fn+F12 for hibernation, you must have the IBM PM device driver installed on the computer.</p>
Fn+PgUp	<p>Turn the ThinkLight on or off.</p> <p>Note: This function is supported only on the ThinkPad computers that have the ThinkLight. The on or off status of the ThinkLight is shown on the screen for a few seconds when you press Fn+PgUp.</p>
Fn+Home	The computer display becomes brighter.
Fn+End	The computer display becomes dimmer.
Fn+Spacebar	Enable the FullScreen Magnifier function.

Symptom-to-FRU index

The symptom-to-FRU index in this section lists symptoms and errors and their possible causes. The most likely cause is listed first, in boldface type.

Note: Do the FRU replacement or other actions in the sequence shown in the column headed “FRU or action, in sequence.” If replacing a FRU does not solve the problem, put the original part back in the computer. Do not replace a nondefective FRU.

This index can also help you determine, during regular servicing, what FRUs are likely to need to be replaced next.

A numeric error is displayed for each error detected in POST or system operation. In the displays, **n** can be any number.

If no numeric code is displayed, check the narrative descriptions of symptoms. If the symptom is not described there, go to “Intermittent problems” on page 62.

Note

For an IBM device not supported by diagnostic codes in the ThinkPad notebook computers, see the manual for that device.

Numeric error codes

Symptom or error	FRU or action, in sequence
0175 Bad CRC1, stop POST task—The EEPROM checksum is not correct.	System board.
0176 System Security—The system has been tampered with.	<ol style="list-style-type: none"> Run IBM BIOS Setup Utility, and save the current setting by pressing F10. System board.
0177 Bad SVP data, stop POST task—The checksum of the supervisor password in the EEPROM is not correct.	System board

Symptom or error	FRU or action, in sequence
0182 Bad CRC2. Enter BIOS Setup and load Setup defaults.—The checksum of the CRS2 setting in the EEPROM is not correct.	<ol style="list-style-type: none"> 1. Run IBM BIOS Setup Utility. Press F9, and Enter to load the default setting. Then save the current setting by pressing F10. 2. System board.
0185 Bad startup sequence settings. Enter BIOS Setup and load Setup defaults.	<ol style="list-style-type: none"> 1. Run IBM BIOS Setup Utility. Press F9, and Enter to load the default setting. Then save the current setting by pressing F10.
0187 EAIA data access error—The access to EEPROM is failed.	System board.
0188 Invalid RFID Serialization Information Area.	System board.
0189 Invalid RFID configuration information area—The EEPROM checksum is not correct.	System board.
0190 Critical low-battery error	<ol style="list-style-type: none"> 1. Charge the battery pack. 2. Battery pack.
0191 System Security—Invalid Remote Change requested.	<ol style="list-style-type: none"> 1. Run IBM BIOS Setup Utility, and then save current setting by pressing F10. 2. System board.
0192 System Security—IBM Embedded Security hardware tamper detected.	System board.
0199 System Security—IBM Security password retry count exceeded.	<ol style="list-style-type: none"> 1. Run IBM BIOS Setup Utility, and then save the current setting by pressing F10. 2. System board.
01C8 Two or more modem devices are found. Remove all but one of them. Press <Esc> to continue.	<ol style="list-style-type: none"> 1. Remove either a Mini-PCI Card or a modem daughter card. Otherwise, press Esc to ignore the warning message. 2. System board.
01C9 More than one Ethernet devices are found. Remove one of them. Press <Esc> to continue.	<ol style="list-style-type: none"> 1. Remove the Ethernet device that you installed; or press Esc to ignore the warning message. 2. System board.

Symptom or error	FRU or action, in sequence
0200 Hard disk error—The hard disk is not working.	<ol style="list-style-type: none"> 1. Reseat the hard disk drive. 2. Load Setup Defaults in IBM BIOS Setup Utility. 3. Hard disk drive. 4. System board.
021x Keyboard error.	Run interactive tests of the keyboard and the auxiliary input device.
0220 Monitor type error—Monitor type does not match the one specified in CMOS.	Load Setup Defaults in IBM BIOS Setup Utility.
0230 Shadow RAM error—Shadow RAM fails at offset nnnn.	System board.
0231 System RAM error—System RAM fails at offset nnnn.	<ol style="list-style-type: none"> 1. DIMM. 2. System board.
0232 Extended RAM error—Extended RAM fails at offset nnnn.	<ol style="list-style-type: none"> 1. DIMM. 2. System board.
0250 System battery error—System battery is dead.	Replace the backup battery and run IBM BIOS Setup Utility to reset the time and date.
0251 System CMOS checksum bad— Default configuration used.	Replace the backup battery and run IBM BIOS Setup Utility to reset the time and date.
0252 Password checksum bad—The password is cleared.	Reset the password by running IBM BIOS Setup Utility.
0260 System timer error.	<ol style="list-style-type: none"> 1. Replace the backup battery and run IBM BIOS Setup Utility to reset the time and date. 2. System board.
0270 Real-time clock error.	<ol style="list-style-type: none"> 1. Replace the backup battery and run IBM BIOS Setup Utility to reset the time and date. 2. System board.
0271 Date and time error—Neither the date nor the time is set in the computer.	Run IBM BIOS Setup Utility to reset the time and date.
0280 Previous boot incomplete—Default configuration used.	<ol style="list-style-type: none"> 1. Load “Setup Default” in IBM BIOS Setup Utility. 2. DIMM. 3. System board.

Symptom or error	FRU or action, in sequence
02F4 EISA CMOS not writable.	1. Load Setup Defaults in IBM BIOS Setup Utility. 2. Replace the backup battery. 3. System board.
02F5 DMA test failed.	1. DIMM. 2. System board.
02F6 Software NMI failed	1. DIMM. 2. System board.
02F7 Fail-safe timer NMI failed	1. DIMM. 2. System board.
1802 Unauthorized network card is plugged in—Turn off and remove the miniPCI network card.	1. Remove Mini PCI network card. 2. System board.
1803 Unauthorized daughter card is plugged in—Turn off and remove the daughter card.	1. Remove the daughter card that you installed. 2. System board.

Symptom or error	FRU or action, in sequence
<p>1810 Hard disk partition layout error.</p>	<ol style="list-style-type: none"> 1. If the Access IBM Predesktop Area has been previously disabled, then go to the IBM BIOS Setup Utility by pressing F1 to open the IBM BIOS Setup Utility. Select Security --> IBM Predesktop Area --> Access IBM Predesktop Area. Set this item to Disabled. Save and exit. 2. If the Access IBM Predesktop Area has not been previously disabled, press Enter to load Access IBM Predesktop Area. Then run RECOVER TO FACTORY CONTENTS in Access IBM Predesktop Area. 3. If item 2 failed, press F3 in the Welcome screen in RECOVER TO FACTORY CONTENTS. Run FDISK, and then delete all partitions. Run RECOVER TO FACTORY CONTENTS in Access IBM Predesktop Area again. 4. If item 3 failed, select CD-ROM boot in Startup in Access IBM Predesktop Area. Boot from the Recovery CD and perform full recovery from it. 5. If item 4 failed, replace the hard disk drive.
<p>2000 IBM Hard Drive Active Protection sensor diagnostics failed. Press <Esc> to continue. Press <F1> to enter SETUP</p>	<ol style="list-style-type: none"> 1. Undock docking station or port replicator if it is attached to the ThinkPad computer, and place the computer on a horizontal surface. Do not apply any physical shock to the computer. 2. Run Diagnostics --> Other Devices --> IBM HDD Active Protection Test.

Error messages

Symptom or error	FRU or action, in sequence
Device address conflict.	<ol style="list-style-type: none"> 1. Load “Setup Defaults” in IBM BIOS Setup Utility. 2. Backup battery. 3. System board.
Allocation error for device.	<ol style="list-style-type: none"> 1. Load “Setup Defaults” in IBM BIOS Setup Utility. 2. Backup battery. 3. System board.
Failing bits: nnnn.	<ol style="list-style-type: none"> 1. DIMM. 2. System board.
Invalid system configuration data.	<ol style="list-style-type: none"> 1. DIMM. 2. System board.
I/O device IRQ conflict.	<ol style="list-style-type: none"> 1. Load “Setup Defaults” in IBM BIOS Setup Utility. 2. Backup battery. 3. System board.
Operating system not found.	<ol style="list-style-type: none"> 1. Check that the operating system has no failure and is installed correctly. 2. Enter IBM BIOS Setup Utility and see whether the hard disk drive and the diskette drive are properly identified. 3. Reseat the hard disk drive. 4. Reinstall the operating system. 5. Diskette drive. 6. Hard disk drive. 7. System board.
Hibernation error.	<ol style="list-style-type: none"> 1. Restore the system configuration to what it was before the computer entered hibernation mode. 2. If memory size has been changed, re-create the hibernation file.
Fan error.	Fan.
Thermal sensing error.	System board.
Authentication of system services failed. Press <Esc> to resume.	The IBM Predesktop Area in the HDD is corrupted. Restore it from a recovery CD.

Beep symptoms

Symptom or error	FRU or action, in sequence
One beep and a blank, unreadable, or flashing LCD.	<ol style="list-style-type: none"> 1. Reseat the LCD connector. 2. LCD assembly. 3. External CRT. 4. System board.
One long and two short beeps, and a blank or unreadable LCD.	<ol style="list-style-type: none"> 1. System board. 2. LCD assembly. 3. DIMM.
Two short beeps with error codes.	POST error. See “Numeric error codes” on page 54.
Two short beeps and a blank screen.	<ol style="list-style-type: none"> 1. System board. 2. DIMM.
Three short beeps, pause, three more short beeps, and one short beep.	<ol style="list-style-type: none"> 1. DIMM. 2. System board
One short beep, pause, three short beeps, pause, three more short beeps, and one short beep.	
Only the cursor appears.	Reinstall the operating system.
Four cycles of four short beeps and a blank screen.	System board (IBM security chip)
Five short beeps and a blank screen.	System board

No-beep symptoms

Symptom or error	FRU or action, in sequence
No beep, power-on indicator on, LCD blank, and no POST.	<ol style="list-style-type: none"> 1. Make sure that every connector is connected tightly and correctly. 2. DIMM. 3. System board.
No beep, power-on indicator on, and LCD blank during POST.	<ol style="list-style-type: none"> 1. Reseat DIMM. 2. System board.
The power-on password prompt appears.	A power-on password or a supervisor password is set. Type the password and press Enter .
The hard-disk password prompt appears.	A hard-disk password is set. Type the password and press Enter .
The DOS full screen looks smaller than it should.	Start the ThinkPad Configuration program and set the Screen expansion function.

LCD-related symptoms

Important

The TFT LCD for the notebook computer contains many thin-film transistors (TFTs). The presence of a small number of dots that are missing, discolored, or always lighted is characteristic of TFT LCD technology, but excessive pixel problems can cause viewing concerns. The LCD should be replaced if the number of missing, discolored, or lighted dots in any background is:

- **XGA:** 8 or more bright dots, 8 or more dark dots, or a total of 9 or more bright and dark dots.
- **SXGA+:** 11 or more bright dots, 13 or more dark dots, or a total of 16 or more bright and dark dots.
- **UXGA:** 11 or more bright dots, 16 or more dark dots, or a total of 16 or more bright and dark dots.
- **QXGA:** 15 or more bright dots, 16 or more dark dots, or a total of 16 or more bright and dark dots.

Note: A bright dot means a pixel is always on (white or color.) A dark dot means a pixel is always off (black color.)

Symptom or error	FRU or action, in sequence
No beep, power-on indicator on, and a blank LCD during POST.	System board.
<ul style="list-style-type: none"> • LCD backlight not working. • LCD too dark. • LCD brightness cannot be adjusted. • LCD contrast cannot be adjusted. 	<ol style="list-style-type: none"> 1. Reseat the LCD connectors. 2. LCD assembly. 3. System board.
<ul style="list-style-type: none"> • LCD screen unreadable. • Characters missing pixels. • Screen abnormal. • Wrong color displayed. 	<ol style="list-style-type: none"> 1. See important note for “LCD-related symptoms.” 2. Reseat all LCD connectors. 3. LCD assembly. 4. System board.
Horizontal or vertical lines displayed on LCD.	LCD assembly.

Intermittent problems

Intermittent system hang problems can be due to a variety of causes that have nothing to do with a hardware defect, such as cosmic radiation, electrostatic discharge, or software errors. FRU replacement should be considered only when a problem recurs.

When analyzing an intermittent problem, do the following:

1. Run the diagnostic test for the system board in loop mode **at least 10 times**.
2. If no error is detected, do **not** replace any FRUs.
3. If any error is detected, replace the FRU shown by the FRU code. Rerun the test to verify that no more errors exist.

Undetermined problems

If the diagnostic tests did not identify the adapter or device that has failed, if wrong devices are installed, or if the system simply is not operating, follow these procedures to isolate the failing FRU (do not isolate FRUs that have no defects).

Verify that all attached devices are supported by the computer.

Verify that the power supply being used at the time of the failure is operating correctly. (See “Power system checkout” on page 37.)

1. Turn off the computer.
2. Visually check each FRU for damage. Replace any damaged FRU.
3. Remove or disconnect all of the following devices:
 - a. Non-IBM devices
 - b. Devices attached to the port replicator
 - c. Printer, mouse, and other external devices
 - d. Battery pack
 - e. Hard disk drive
 - f. External diskette drive
 - g. DIMM
 - h. CD-ROM and diskette drive in the Ultrabay
 - i. PC Cards
4. Turn on the computer.
5. Determine whether the problem has been solved.
6. If the problem does not recur, reconnect the removed devices one at a time until you find the failing FRU.
7. If the problem remains, replace the following FRUs one at a time (do not replace a nondefective FRU):
 - a. System board
 - b. LCD assembly

FRU replacement notices

This section contains notices related to removing and replacing parts. Read this section carefully before replacing any FRU.

Screw notices

Loose screws can cause a reliability problem. In the IBM ThinkPad computer, this problem is addressed with special nylon-coated screws that have the following characteristics:

- They maintain tight connections.
- They do not easily come loose, even with shock or vibration.
- They are harder to tighten.
- Each one should be used only once.

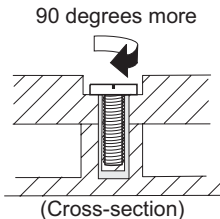
Do the following when you service this machine:

- Keep the screw kit (for the P/N, see “Miscellaneous parts” on page 265) in your tool bag.
- Always use new screws.
- Use a torque screwdriver if you have one.

Tighten screws as follows:

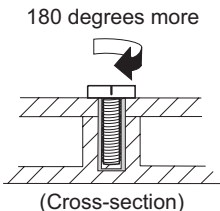
- **Plastic to plastic**

Turn an additional **90 degrees** after the screw head touches the surface of the plastic part:



- **Logic card to plastic**

Turn an additional **180 degrees** after the screw head touches the surface of the logic card:



- **Torque driver**

If you have a torque driver, refer to the “Torque” column for each step.

- Make sure that you use the correct screw. If you have a torque screwdriver, tighten all screws firmly to the torque shown in the table. **Never use a screw that you removed. Use a new one. Make sure that all of the screws are tightened firmly.**

Retaining serial numbers

This section includes the following descriptions:

- “Restoring the serial number of the system unit”
- “Retaining the UUID” on page 65
- “Reading or writing the ECA information” on page 65

Restoring the serial number of the system unit

When the computer was manufactured, the EEPROM on the system board was loaded with the serial numbers of the system and all major components. These numbers need to remain the same throughout the life of the computer.

If you replace the system board, you must restore the serial number of the system unit to its original value.

Before replacing the system board, save the original serial number by doing the following:

1. Install the ThinkPad Hardware Maintenance Diskette Version 1.71 or later, and restart the computer.
2. From the main menu, select **1. Set System Identification**.
3. Select **2. Read S/N data from EEPROM**.

The serial number of each device in your computer is displayed; the serial number of the system unit is listed as follows:

20: Serial number

Write down that number.

Note: The serial number of the system unit is also written on the label attached to the bottom of the computer.

After you have replaced the system board, restore the serial number by doing the following:

1. Install the ThinkPad Hardware Maintenance Diskette Version 1.71 or later and restart the computer.
2. From the main menu, select **1. Set System Identification**.
3. Select **1. Add S/N data from EEPROM**.
Follow the instructions on the screen.

Retaining the UUID

The Universally Unique Identifier (UUID) is a 128-bit number uniquely assigned to your computer at production and stored in the EEPROM of your system board. The algorithm that generates the number is designed to provide unique IDs until the year A.D. 3400. No two computers in the world have the same number.

When you replace the system board, you must set the UUID on the new system board as follows:

1. Install the ThinkPad Hardware Maintenance Diskette Version 1.71 or later, and restart the computer.
2. From the main menu, select **4. Assign UUID.**

A new UUID is created and written. If a valid UUID already exists, it is not overwritten.

Reading or writing the ECA information

Information on Engineering Change Announcements (ECA) are stored in the EEPROM of the system board. The electronic storage of this information simplifies the procedure to check if the ECA has been previously applied to a machine. The machine does not need to be disassembled to check for the ECA application.

To check what ECAs have been previously applied to the machine, use the ECA Information Read/Write function on the ThinkPad Hardware Maintenance Diskette Version 1.71 or later.

1. Insert the ThinkPad Hardware Maintenance Diskette Version 1.71 or later, and restart the computer.
2. From the main menu, select **6. Set ECA Information.**
3. To read ECA information, select **2. Read ECA/rework number from EEPROM** and follow the instruction.
4. To read box build date, select **5. Read box build date from EEPROM**, and follow the instruction on the screen.

After an ECA has been applied to the machine, the EEPROM must be updated to reflect the ECA's application. Use the ThinkPad Hardware Maintenance Diskette Version 1.71 or later to update the EEPROM.

Note: Only the ECA number is stored in the EEPROM. The machine type of the ECA is assumed be the same as the machine type of the machine that had the ECA applied to it.

1. Insert the ThinkPad Hardware Maintenance Diskette Version 1.71 or later, and restart the computer.
2. From the main menu, select **6. Set ECA Information.**

3. To write ECA information, select **1. Write ECA/rework number from EEPROM**, and follow the instruction.
4. To write box build date, select **4. Write box build date from EEPROM**, and follow the instruction on the screen.

If the system board is being replaced, try to read the ECA information from the old system board and transfer the information to the new system. If the system board is inoperable, this will not be possible.

Removing and replacing a FRU

This section presents directions and drawings for use in removing and replacing a FRU. Be sure to observe the following general rules:

1. Do not try to service any computer unless you have been trained and certified. An untrained person runs the risk of damaging parts.
2. Before replacing any FRU, review “FRU replacement notices” on page 63.
3. Begin by removing any FRUs that have to be removed before the failing FRU. Any such FRUs are listed at the top of the page. Remove them in the order in which they are listed.
4. Follow the correct sequence in the steps for removing the FRU, as given in the drawings by the numbers in square callouts.
5. When turning a screw to replace a FRU, turn it in the direction as given by the arrow in the drawing.
6. When removing the FRU, move it in the direction as given by the arrow in the drawing.
7. To put the new FRU in place, reverse the removal procedure and follow any notes that pertain to replacement. For information about connecting and arranging internal cables, see “Locations” on page 138.
8. When replacing a FRU, use the correct screw as shown in the procedures.

DANGER

Before removing any FRU, turn off the computer, unplug all power cords from electrical outlets, remove the battery pack, and then disconnect any interconnecting cables.

Attention: After replacing a FRU, do not turn on the computer until you have made sure that all screws, springs, and other small parts are in place and none are loose inside the computer. Verify this by shaking the computer gently and listening for rattling sounds. Metallic parts or metal flakes can cause electrical short circuits.

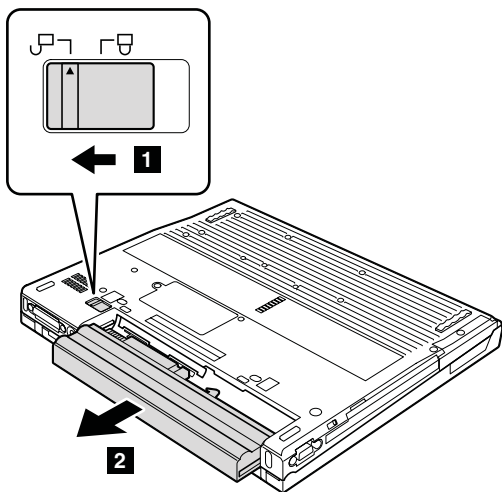
Attention: The system board is sensitive to, and can be damaged by, electrostatic discharge. Before touching it, establish personal grounding by touching a ground point with one hand or by using an electrostatic discharge (ESD) strap (P/N 6405959).

1010 Battery pack

⚠ DANGER

Use only the battery specified in the parts list for your computer. Any other battery could ignite or explode.

Holding the battery release lever in the unlocked position **1**, remove the battery pack **2**.



When installing: Install the battery pack along the slide rails on the left and right sides of the battery-pack slot. Then make sure that the battery latch is locked.

1020 Ultrabay Enhanced device

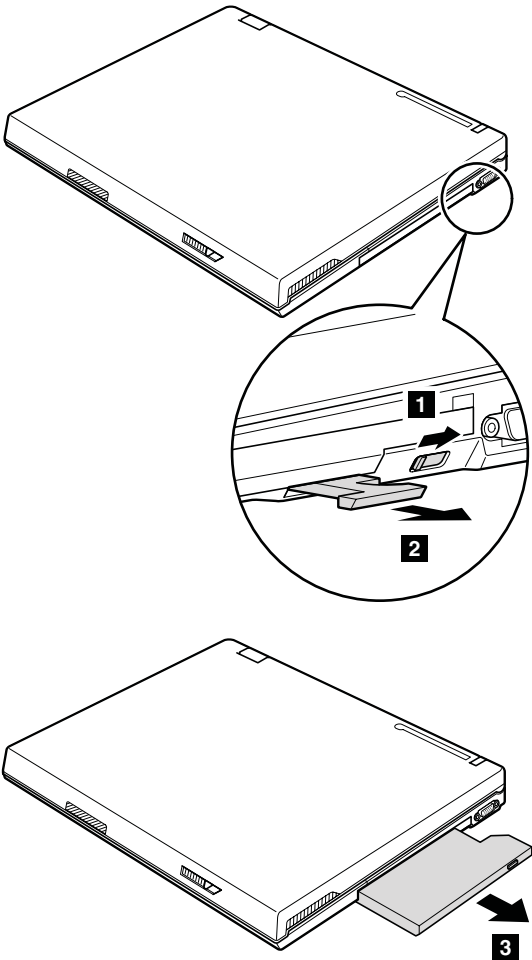
Note

Ultrabay Enhanced does not accept any of the following devices:

- Ultrabay Plus devices
- Ultrabay 2000 devices

For devices compatible with the Ultrabay Enhanced, see “Optional FRUs” on page 269.

When you release the switch in step **1**, the lever pops out. In step **2**, pull the lever a little to release the device from the bay.



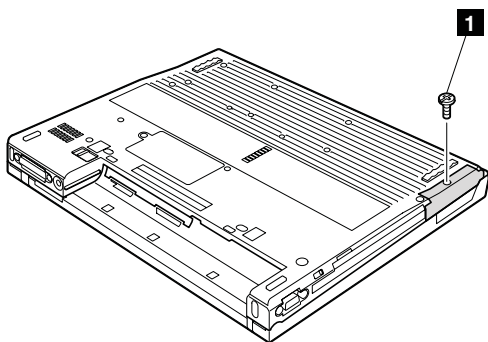
1030 Hard disk drive

Attention

- **Do not drop the hard disk drive or apply any physical shock to it.** The hard disk drive is sensitive to physical shock. Improper handling can cause damage and permanent loss of data.
- Before removing the drive, have the user make a backup copy of all the information on it if possible.
- Never remove the drive while the system is operating or is in suspend mode.

For access, remove this FRU:

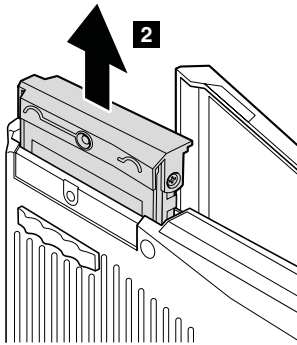
- “1010 Battery pack” on page 68



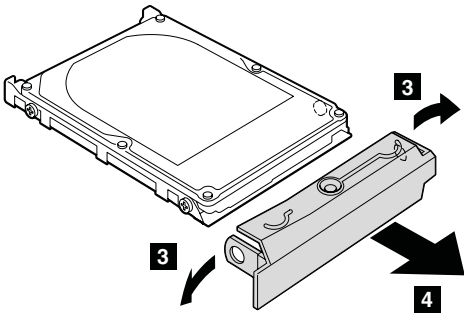
Note: The hard disk is attached to the cover.

Step	Screw (quantity)
1	HDD screw (1) or security screw (1)
Note: Use a 2.5-mm Allen wrench to remove the security screw.	

(continued)



When installing: Make sure that the hard-disk connector is attached firmly.

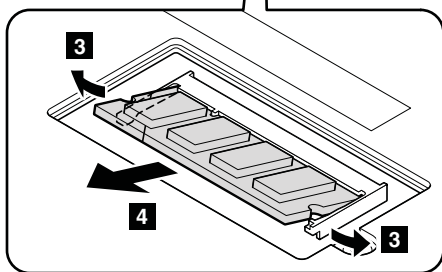
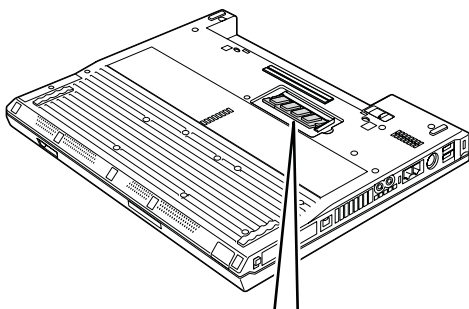
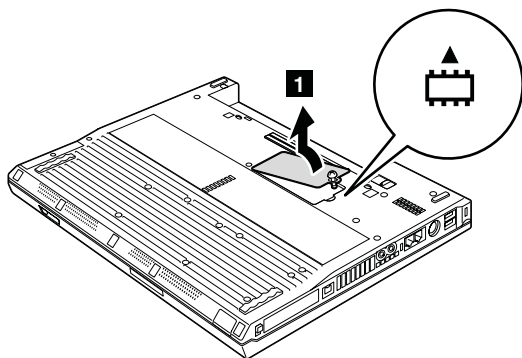


1040 DIMM (optional)

For access, remove this FRU:

- “1010 Battery pack” on page 68

Note: Loosen the screw **1**, but do not remove it.

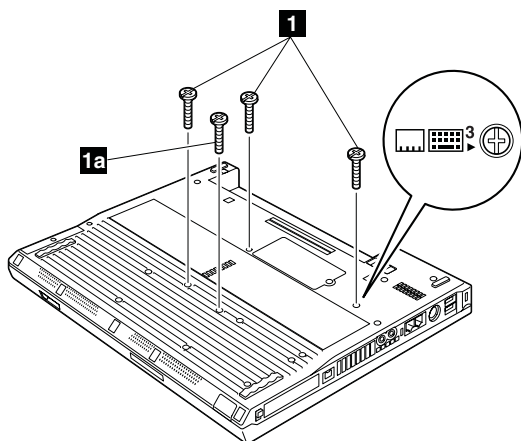


When installing: Insert the notched end of the DIMM into the socket. Press the DIMM firmly, and pivot it until it snaps into the place. Make sure that it is firmly fixed in the slot and does not move easily.


1050 Keyboard

For access, remove this FRU:

- “1010 Battery pack” on page 68



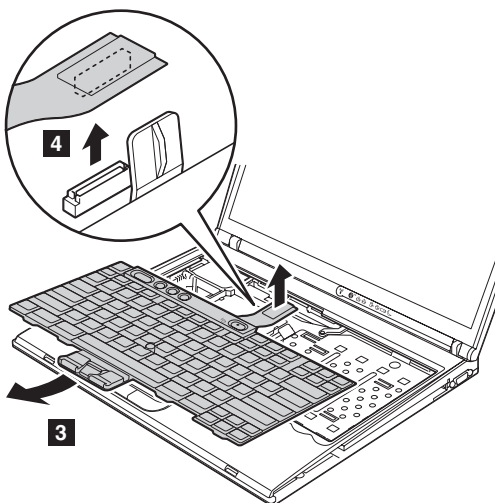
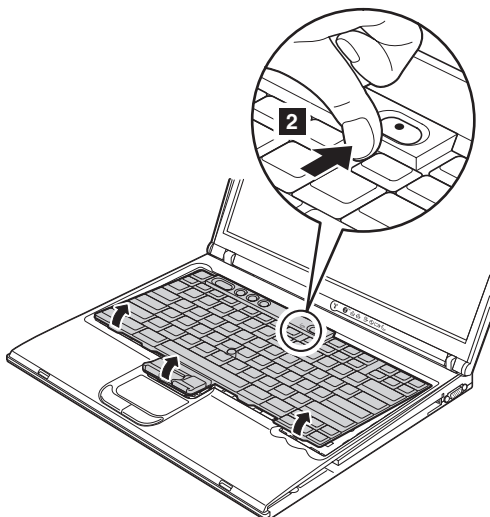
Screw **1a** is only for the models with 14.1-in. LCD.

Step	Icon	Screw (quantity)	Color	Torque
1		M2 × 12 mm, bind-head, nylon-coated (3)	Black	0.245 Nm (2.5 kgfcm)
1a		M2 × 12 mm, bind-head, nylon-coated (1)	Black	0.245 Nm (2.5 kgfcm)

(continued)

Removing and replacing a FRU

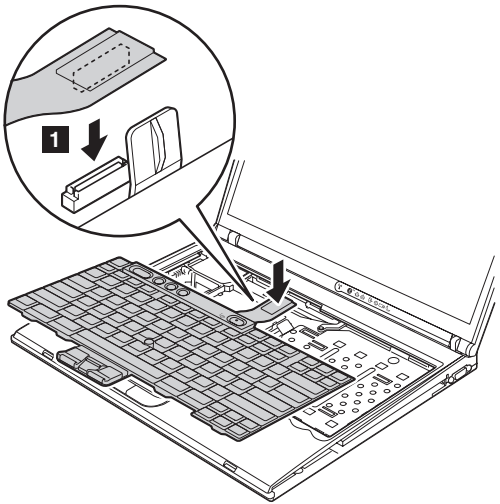
Press the part indicated by the arrow **2** in the direction of the arrow. This releases the latches of the keyboard from the frame, so that the front side of the keyboard pops out.



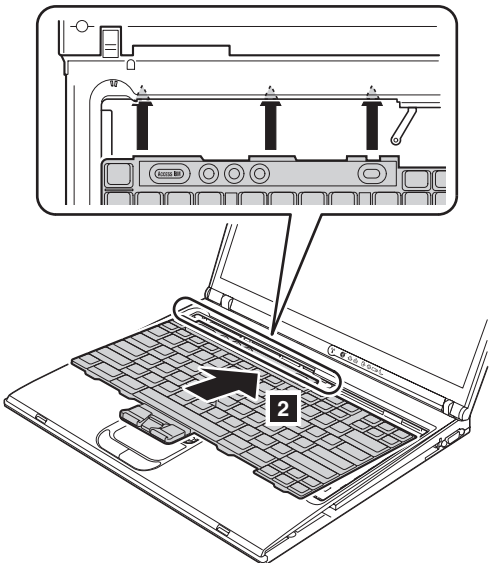
When installing: Make sure that the connector **4** is firmly attached.

When installing:

1. Attach the connector **1**.



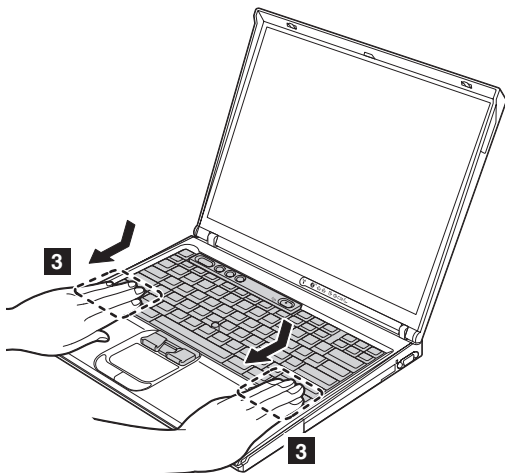
2. Install the keyboard so that the keyboard edges are under the frame.



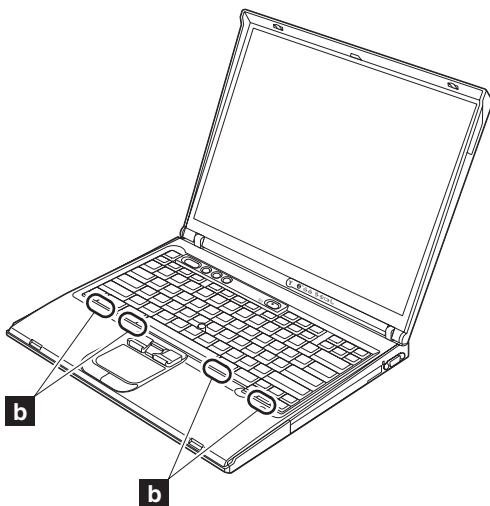
(continued)

Removing and replacing a FRU

3. To make sure that the front edge of the keyboard is housed firmly, gently press the keys with your fingers and try to slide the keyboard towards you.



4. Make sure that all the projections on the front side of the keyboard **b** are firmly attached under the frame.

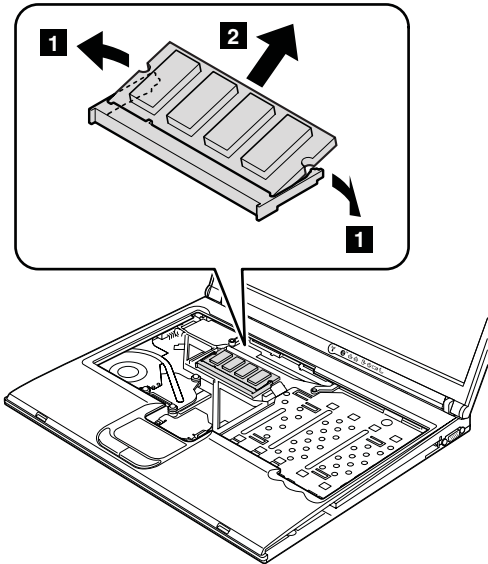


5. Secure the keyboard from the underside of the computer, using the new screws provided with the keyboard.

1060 DIMM (standard)

For access, remove these FRUs in order:

- “1010 Battery pack” on page 68
- “1050 Keyboard” on page 73

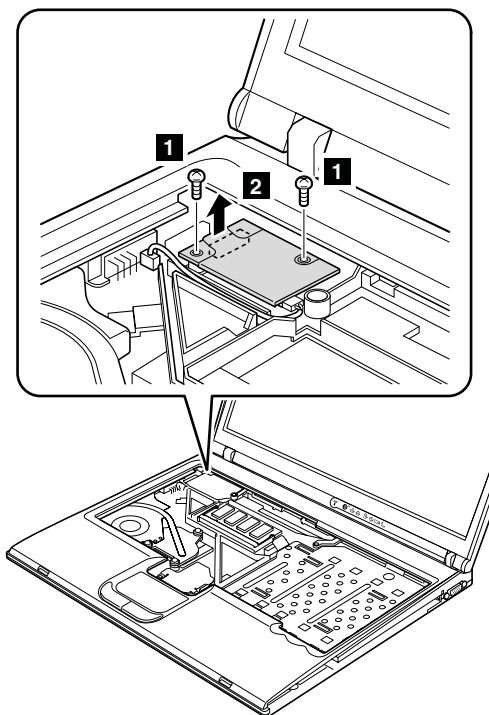


When installing: Insert the notched end of the DIMM into the socket. Press the DIMM firmly, and pivot it until it snaps into the place. Make sure that it is firmly fixed in the slot and does not move easily.

1070 Modem daughter card (MDC/MDC-2)

For access, remove these FRUs in order:

- “1010 Battery pack” on page 68
- “1050 Keyboard” on page 73

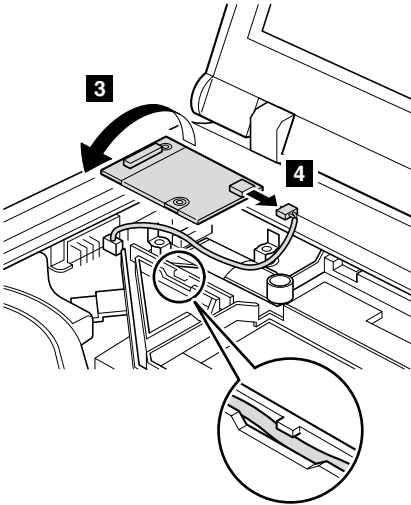


Step	Screw (quantity)	Color	Torque
1	M2 × 12 mm, bind-head, nylon-coated (2)	Black	0.245 Nm (2.5 kgfcm)

In step **2**, remove the card by pulling the tab with your fingers in the direction of the arrow.

(continued)

Turn the card over **3** , and detach the modem connector **4** .

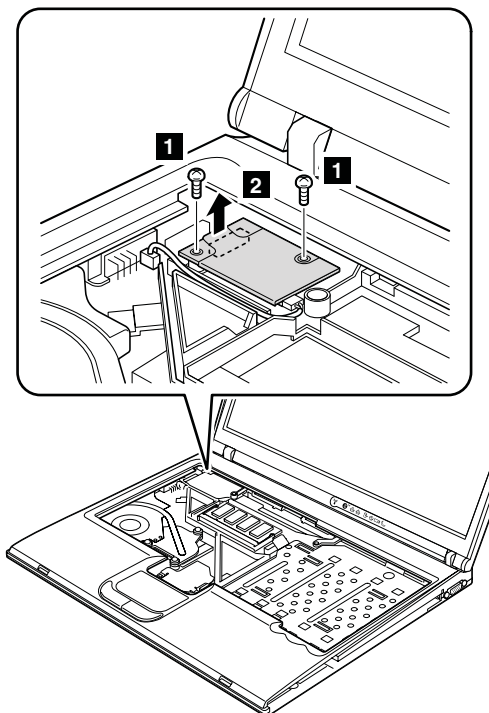


When installing: Make sure that connector **4** and the connector on the underside of the card are firmly attached. Then place the cable to fit in the cable guide as in the figure.

1080 Bluetooth/Modem daughter card (BMDC/BMDC-2)

For access, remove these FRUs in order:

- “1010 Battery pack” on page 68
- “1050 Keyboard” on page 73

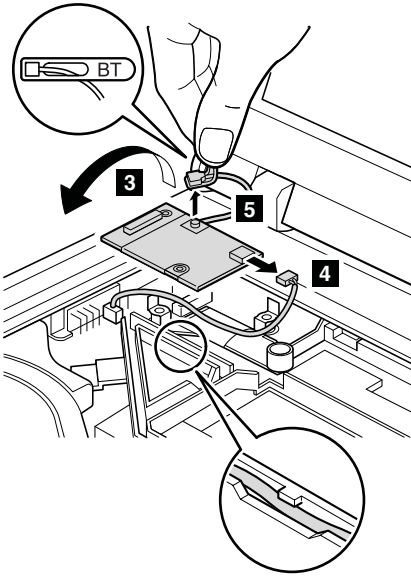


Step	Screw (quantity)	Color	Torque
1	M2 × 12 mm, bind-head, nylon-coated (2)	Black	0.245 Nm (2.5 kgfcm)

In step **2**, remove the card by pulling the tab with your fingers in the direction of the arrow.

(continued)

Turn the card over **3**, and detach the modem connector **4**. If the *Bluetooth* wireless antenna jack has a tab marked "BT", unplug the jack by pulling the tab with your fingers. If the antenna jack does not have the tab, unplug the jack by using the removal tool antenna RF connector (P/N: 08K7159) or pick the connector with your fingers and gently unplug it in direction of the arrow **5**.

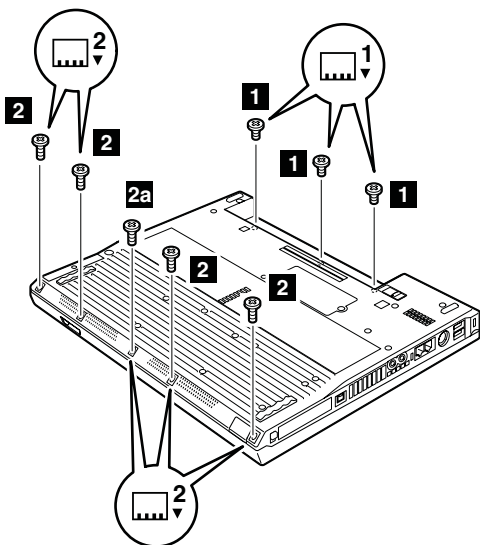


When installing: Make sure that connector **4**, the jack **5**, and the connector on the underside of the card are firmly attached. Then place the cable to fit in the cable guide as in the figure.



1090 Keyboard bezel

For access, remove these FRUs in order:

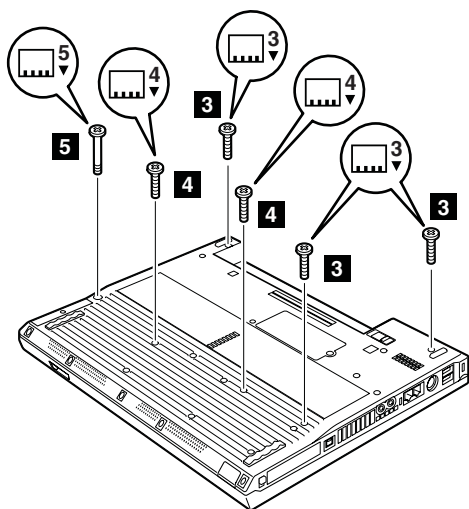
- “1010 Battery pack” on page 68
- “1050 Keyboard” on page 73






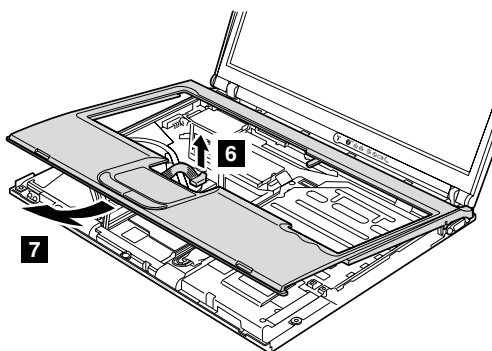
Screw **2a** is only for the models with 15.0-in. LCD.

Step	Icon	Screw (quantity)	Color	Torque
1	 1	M2 × 3 mm, small-head, nylon-coated (3)	Silver	0.245 Nm (2.5 kgfcm)
2	 2	M2 × 6 mm, bind-head, nylon-coated (4)	Black	0.245 Nm (2.5 kgfcm)
2a		M2 × 6 mm, bind-head, nylon-coated (1)	Black	0.245 Nm (2.5 kgfcm)

(continued)

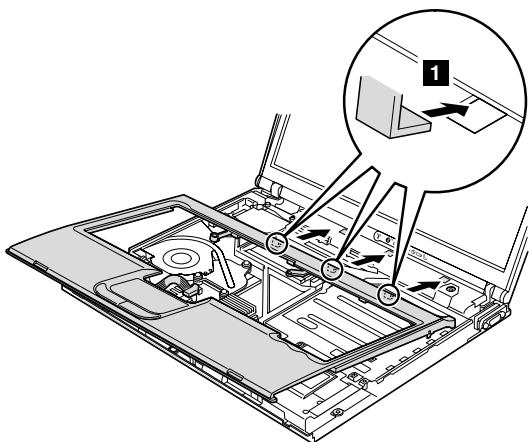


Step	Icon	Screw (quantity)	Color	Torque
3		M2 × 12 mm, bind-head, nylon-coated (3)	Silver	0.245 Nm (2.5 kgfcm)
4		M2 × 12 mm, bind-head, nylon-coated (2)	Silver	0.245 Nm (2.5 kgfcm)
5		M2 × 18.9 mm, special (1)	Silver	0.245 Nm (2.5 kgfcm)

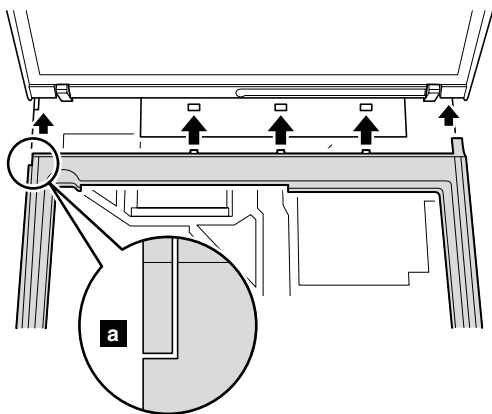


When installing:

1. Place the keyboard bezel so that the three latches are fixed in place **1**.

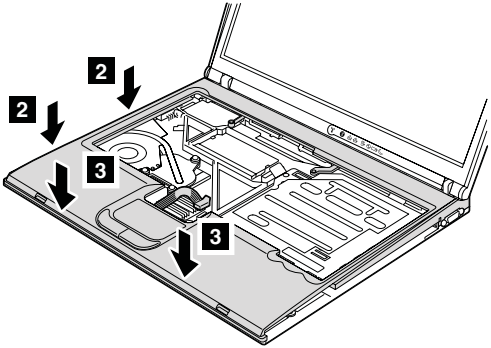


While inserting the three latches, align the top-left corner of the keyboard bezel as in figure **a**.

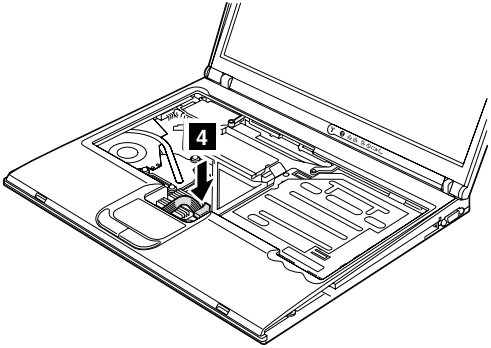


(continued)

2. Press the left edges **2** and the front edges **3** of the keyboard bezel until the latches are snapped.



3. Attach the touch pad connector **4**.

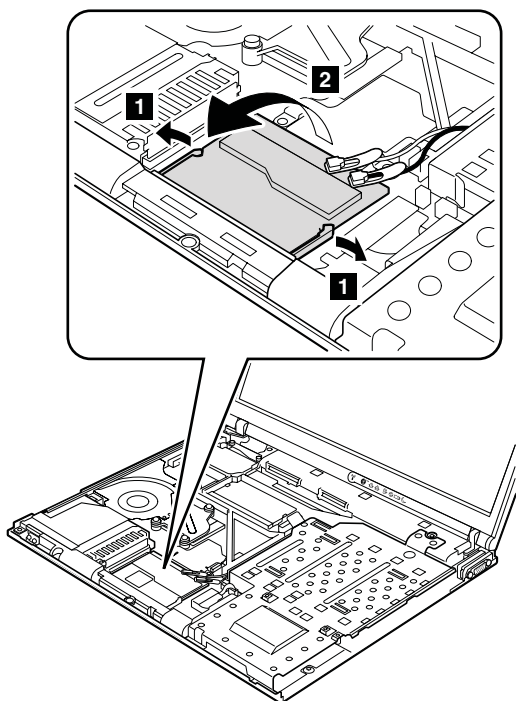


4. Secure the keyboard bezel from the underside of the computer with the screws.

1100 Mini PCI adapter

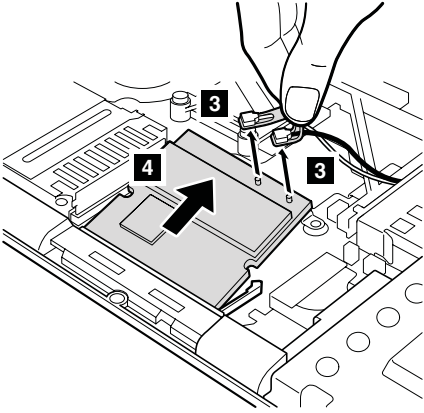
For access, remove these FRUs in order:

- “1010 Battery pack” on page 68
- “1030 Hard disk drive” on page 70
- “1050 Keyboard” on page 73
- “1090 Keyboard bezel” on page 82



(continued)

If the wireless antenna jacks have tabs marked "MAIN" or "AUX", unplug the jacks by pulling the tabs with your fingers. If the antenna jacks do not have the tabs, unplug the jacks by using the removal tool antenna RF connector (P/N: 08K7159) or pick the connectors with your fingers and gently unplug it in direction of the arrow **3**.

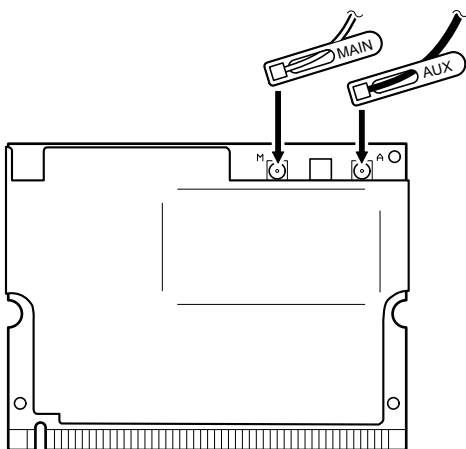


When installing: Plug in the wireless antenna cable as follows:

Intel® PRO/Wireless LAN 2100 3B Mini PCI Adapter or Intel® PRO Wireless 2200BG Mini-PCI Adapter

In case of the antenna jacks have the tabs, plug the gray antenna cable with the tab marked **MAIN** into jack **M**, and the black antenna cable with the tab marked **AUX** into jack **A**.

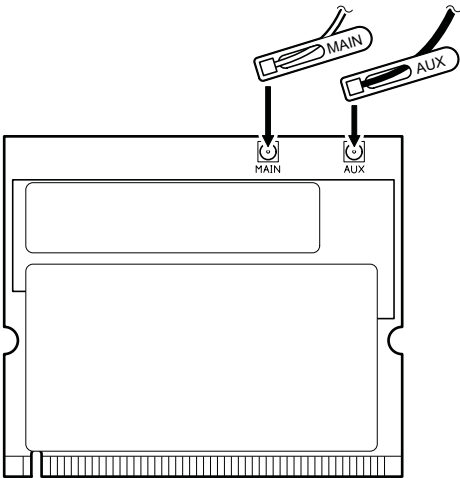
In case of the antenna jacks do not have the tabs, plug the gray cable to jack **M**, and the black cable to jack **A**.



IBM 11a/b/g Wireless LAN Mini PCI Adapter, IBM 11b/g Wireless LAN Mini PCI Adapter

In case of the antenna jacks have the tabs, plug the gray antenna cable with the tab marked **MAIN** into jack **MAIN**, and the black antenna cable with the tab marked **AUX** into jack **AUX**.

In case of the antenna jacks do not have the tabs, plug the gray cable to jack **MAIN**, and the black cable to jack **AUX**.

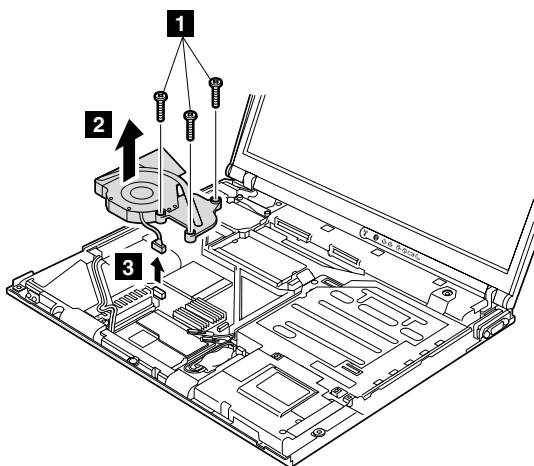


Insert the notched end of the card into the socket, and then press the card firmly. Pivot the card until it snaps into place. Make sure that it is firmly fixed in the slot and does not move easily.

1110 Fan assembly

For access, remove these FRUs in order:

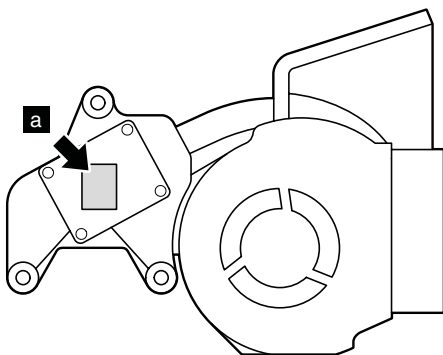
- “1010 Battery pack” on page 68
- “1030 Hard disk drive” on page 70
- “1050 Keyboard” on page 73
- “1090 Keyboard bezel” on page 82



Step	Screw (quantity)	Color	Torque
1	M2 × 10 mm, flat-head, nylon-coated (3)	Black	0.245 Nm (2.5 kgfcm)

When installing:

1. Make sure that the connector **3** is firmly attached.
2. Apply thermal grease on the part marked **a** in this figure.



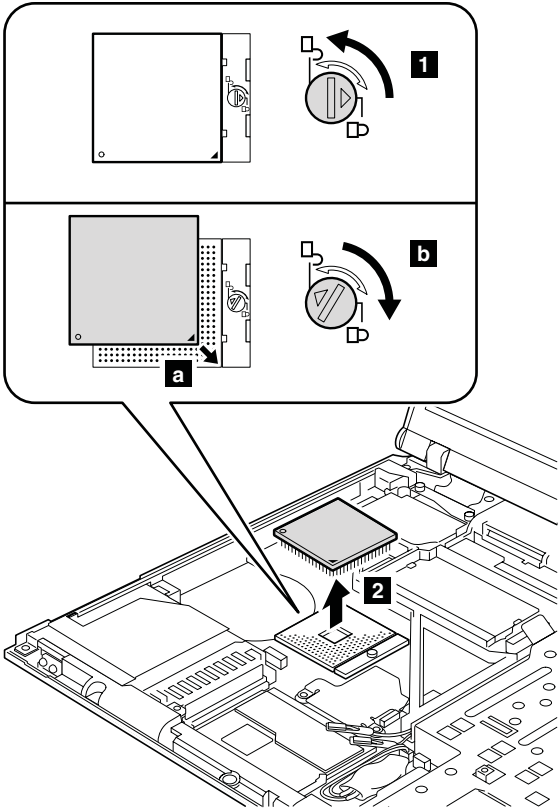
(Bottom view of the fan assembly)

1120 CPU

For access, remove these FRUs in order:

- “1010 Battery pack” on page 68
- “1030 Hard disk drive” on page 70
- “1050 Keyboard” on page 73
- “1090 Keyboard bezel” on page 82
- “1110 Fan assembly” on page 90

Rotate the head of the screw in the direction of arrow **1** to release the lock; then remove the CPU **2**.



When installing: Place the CPU on the CPU socket **a**, and then rotate the head of the screw in the direction of arrow **b** to secure the CPU.

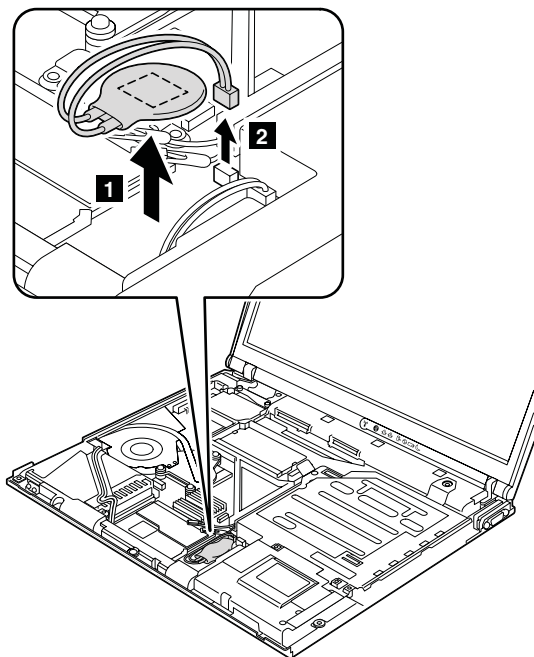
1130 Backup battery



Use only the battery specified in the parts list for your computer. Any other battery could ignite or explode.

For access, remove these FRUs in order:

- “1010 Battery pack” on page 68
- “1030 Hard disk drive” on page 70
- “1050 Keyboard” on page 73
- “1090 Keyboard bezel” on page 82

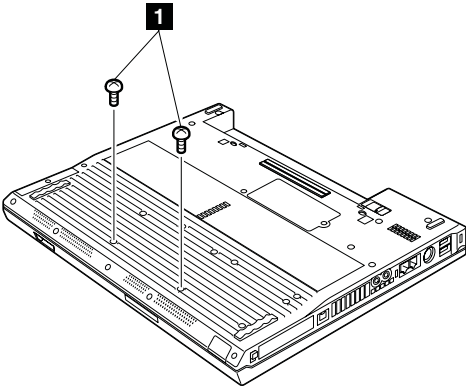


When installing: Make sure that the battery connector **2** is firmly attached.

1140 Speaker assembly

For access, remove these FRUs in order:

- “1010 Battery pack” on page 68
- “1030 Hard disk drive” on page 70
- “1050 Keyboard” on page 73
- “1090 Keyboard bezel” on page 82

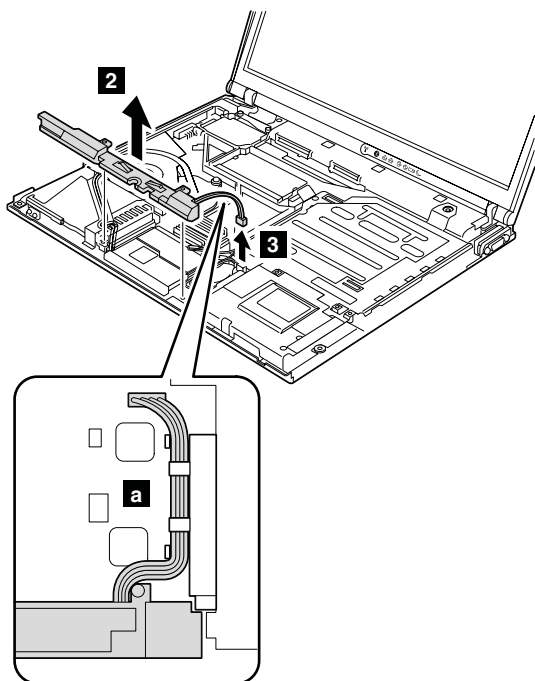


Step	Screw (quantity)	Color	Torque
1	M2 × 12 mm, bind-head, nylon-coated (2)	Black	0.245 Nm (2.5 kgfcm)

(continued)

Removing and replacing a FRU

In step **3**, release the speaker cables from the cable guide **a**.



When installing: Make sure that the connector **3** is firmly attached. Then route the cable as in **a**.

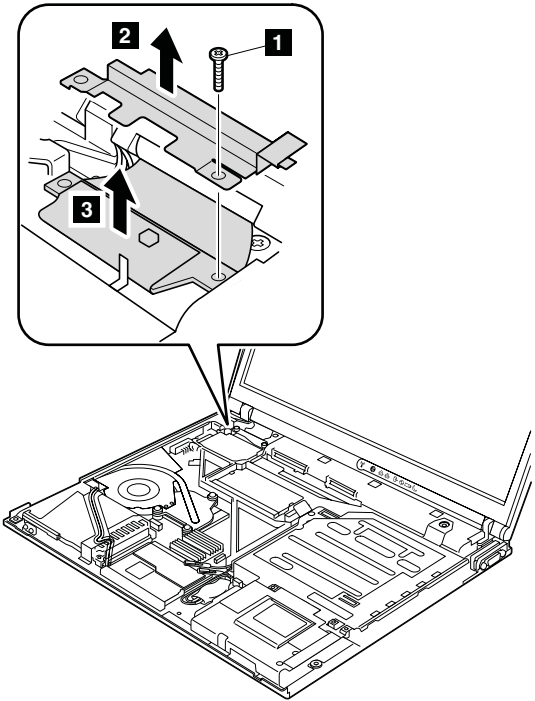
1150 IEEE 1394 cable

For access, remove these FRUs in order:

- “1010 Battery pack” on page 68
- “1030 Hard disk drive” on page 70
- “1050 Keyboard” on page 73
- “1090 Keyboard bezel” on page 82
- “1140 Speaker assembly” on page 93

Note

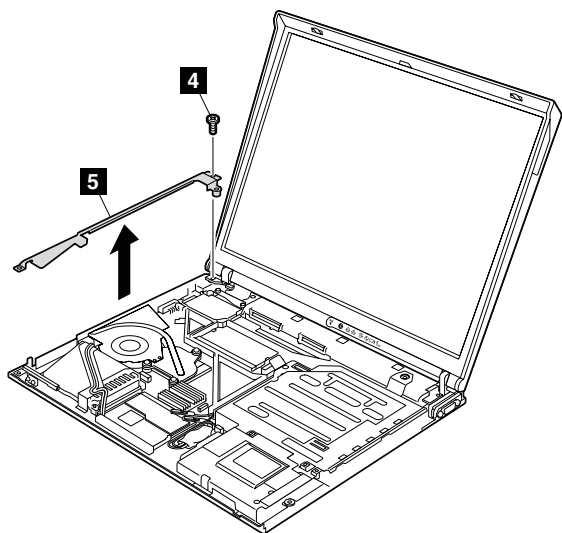
Some models do not have the IEEE 1394 cable.



Step	Screw (quantity)	Color	Torque
1	M2 × 12 mm, bind-head, nylon-coated (1)	Black	0.245 Nm (2.5 kgfcm)

(continued)

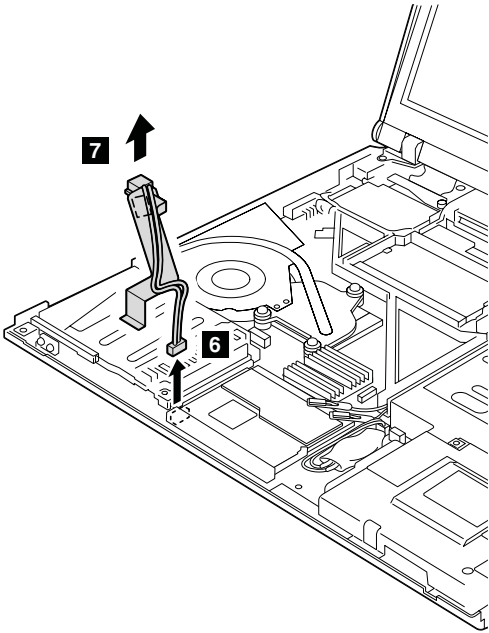
Removing and replacing a FRU



Step	Screw (quantity)	Color	Torque
4	M2 × 6 mm, bind-head, nylon-coated (1)	Black	0.245 Nm (2.5 kgfcm)

Before remove the IEEE 1394 cable, remove bracket structure **5**.

(continued)



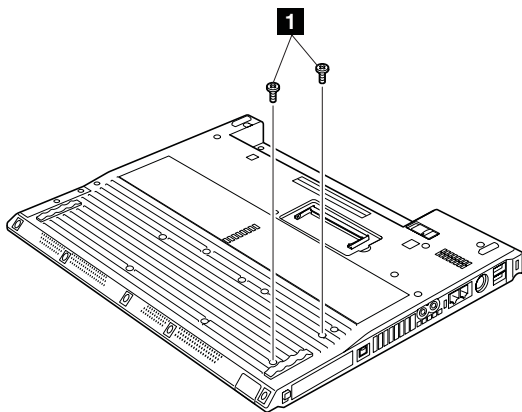
Remove the connector **6** . And strip the tape securing the IEEE 1394 cable to the PC Card slot and remove the IEEE 1394 cable **7** .

When installing: Make sure that the connector **6** is firmly attached to the system board.

1160 PC Card slots assembly

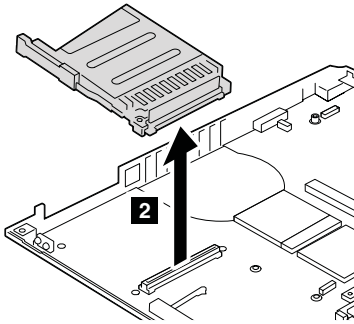
For access, remove these FRUs in order:

- “1010 Battery pack” on page 68
- “1030 Hard disk drive” on page 70
- “1050 Keyboard” on page 73
- “1090 Keyboard bezel” on page 82
- “1140 Speaker assembly” on page 93
- “1150 IEEE 1394 cable” on page 95



Step	Screw (quantity)	Color	Torque
1	M2 × 4 mm, flat-head, nylon-coated (2)	Black	0.245 Nm (2.5 kgfcm)

(continued)



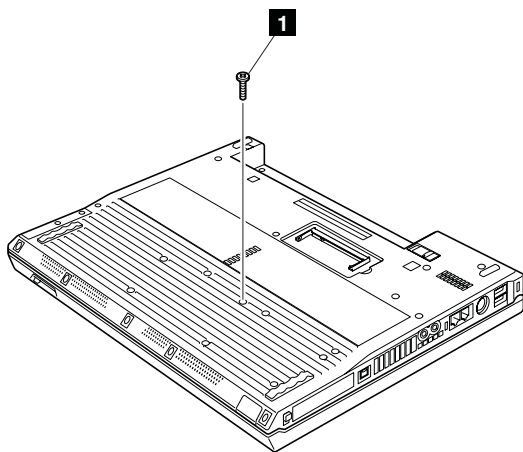
When installing: Make sure that the connector **2** is firmly attached to the system board. Then, secure the screws from the underside of the computer.

1170 Ultrabay Enhanced shield kit

For access, remove these FRUs in order:

- “1010 Battery pack” on page 68
- “1020 Ultrabay Enhanced device” on page 69
- “1030 Hard disk drive” on page 70
- “1050 Keyboard” on page 73
- “1090 Keyboard bezel” on page 82

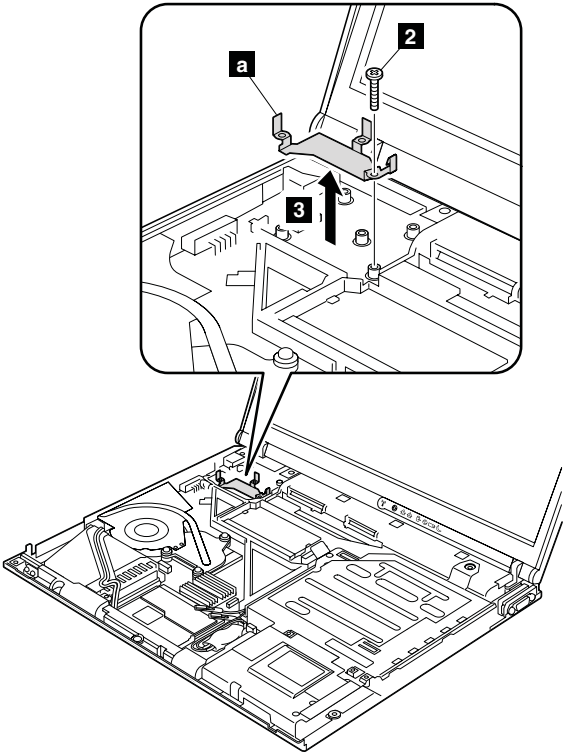
Note: Step **1** is only for the models with 15.0-in. LCD.
For the other models, skip this step.



Step	Screw (quantity)	Color	Torque
1	M2 × 12 mm, bind-head, nylon-coated (1)	Black	0.245 Nm (2.5 kgfcm)

(continued)

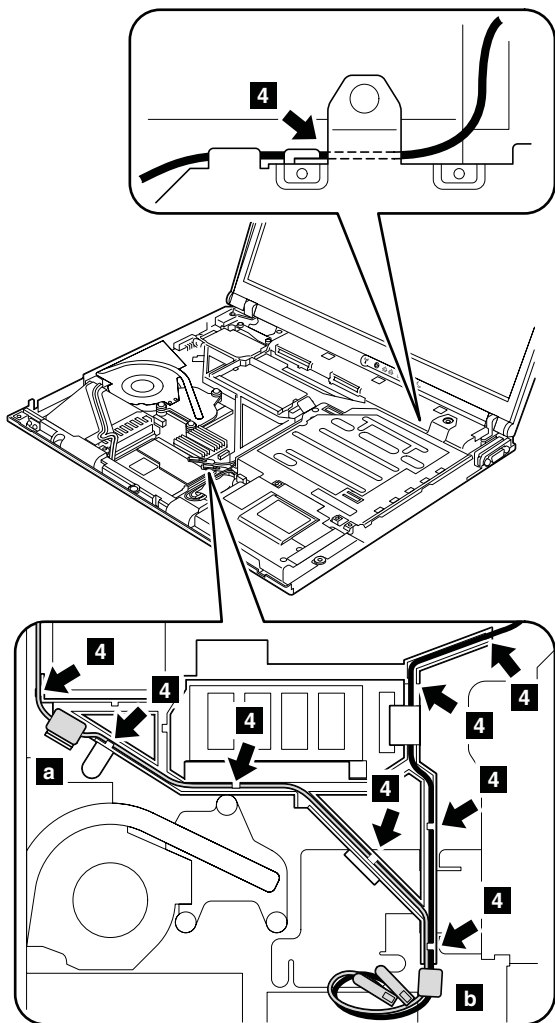
Remove EMI spring for the CDC **a** and antenna cable guide **c** before removing the Ultrabay Enhanced shield kit.



Step	Screw (quantity)	Color	Torque
2	M2 × 12 mm, bind-head, nylon-coated (1)	Black	0.245 Nm (2.5 kgfcm)

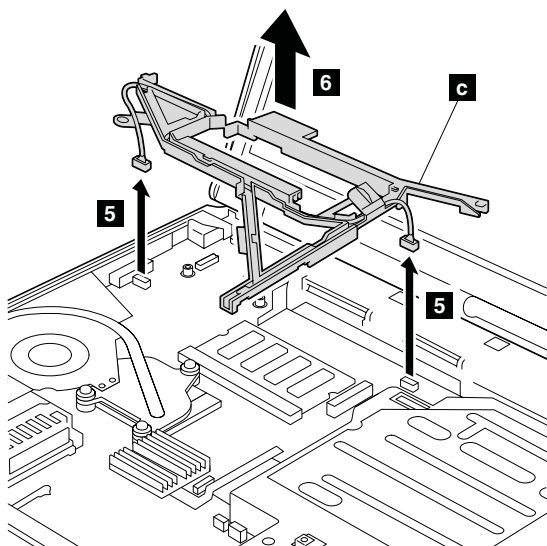
(continued)

Release the antenna cables from the cable guide **4**.



When installing: Make sure that the antenna cables and the two ferrite cores **a** and **b** (with sponge) are correctly routed and securely in place.

(continued)

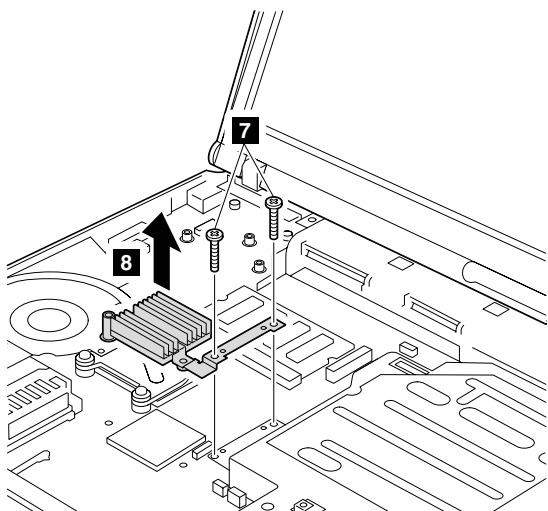


When installing: Make sure that the connectors **5** are firmly attached.

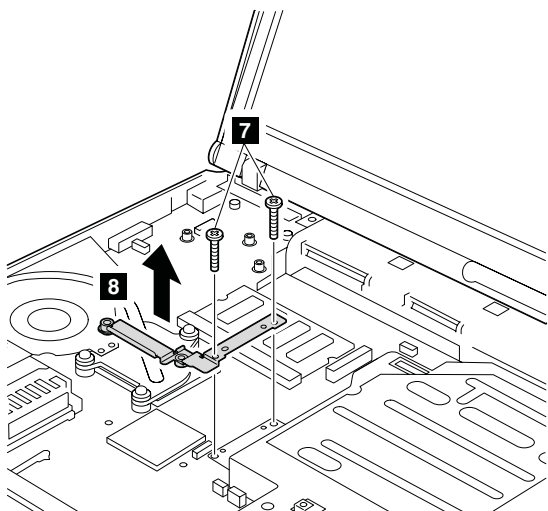
(continued)

Removing and replacing a FRU

For models with M9-32 or M10 GL-128 video chip:

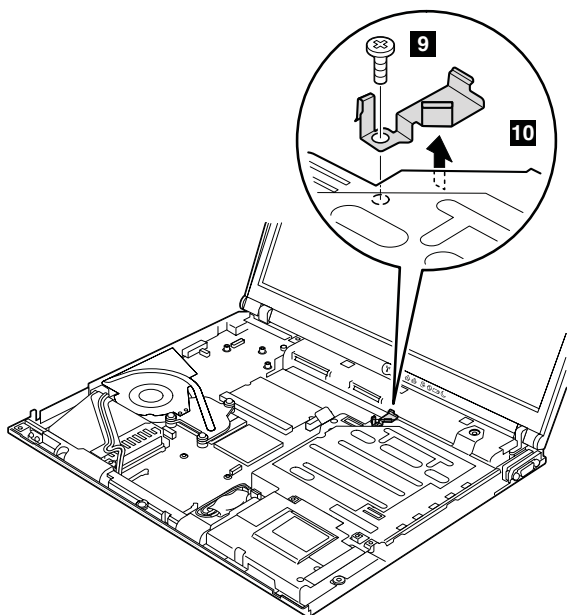


For models with M7-32 video chip:



Step	Screw (quantity)	Color	Torque
7	M2 × 12 mm, bind-head, nylon-coated (2)	Black	0.245 Nm (2.5 kgfcm)

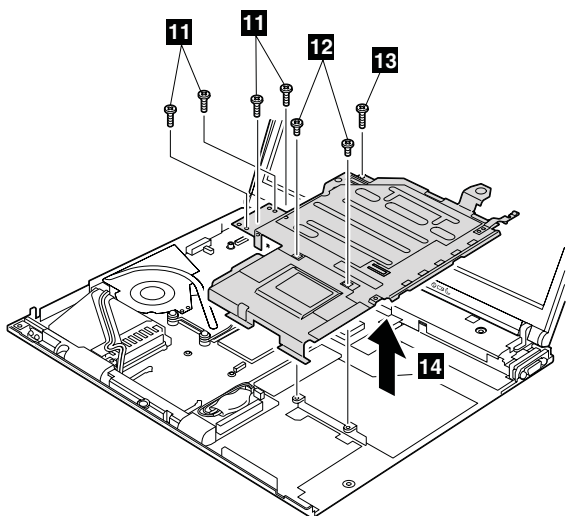
(continued)



Step	Screw (quantity)	Color	Torque
9	M2 × 6 mm, bind-head, nylon-coated (1)	Black	0.245 Nm (2.5 kgfcm)

(continued)

Removing and replacing a FRU



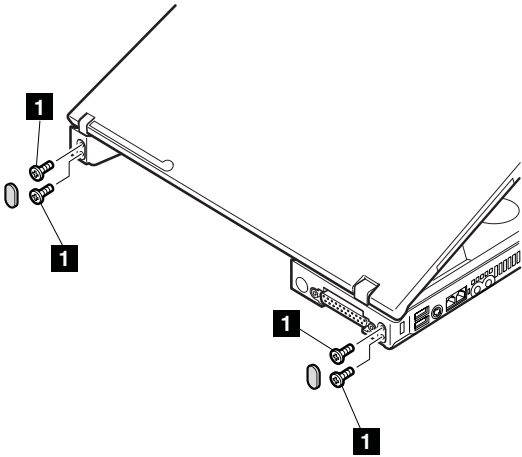
Screws **11** are only for the models with 15.0-in. LCD. For the other models, skip the step.

Step	Screw (quantity)	Color	Torque
11	M2 × 10 mm, flat-head, nylon-coated (4)	Black	0.245 Nm (2.5 kgfcm)
12	M2 × 3 mm, small-head, nylon-coated (2)	Black	0.245 Nm (2.5 kgfcm)
13	M2 × 6 mm, bind-head, nylon-coated (1)	Black	0.245 Nm (2.5 kgfcm)

1180 LCD assembly

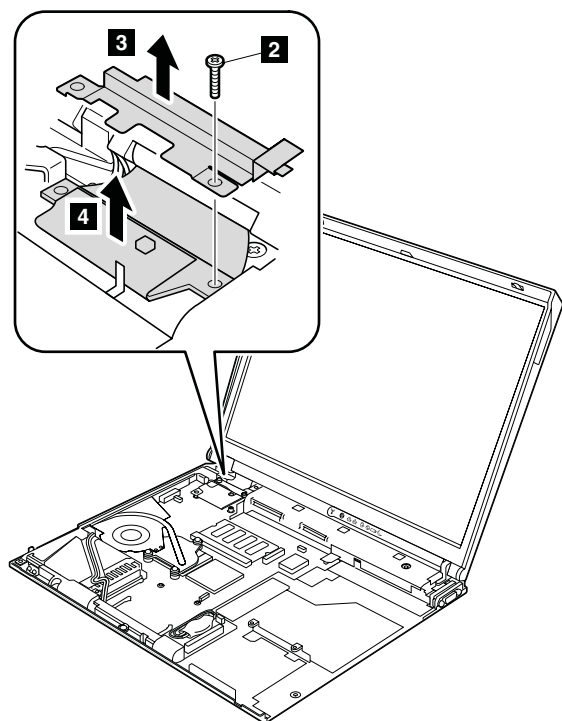
For access, remove these FRUs in order:

- “1010 Battery pack” on page 68
- “1050 Keyboard” on page 73
- “1070 Modem daughter card (MDC/MDC-2)” on page 78
- “1080 Bluetooth/Modem daughter card (BMDC/BMDC-2)” on page 80
- “1090 Keyboard bezel” on page 82
- “1100 Mini PCI adapter” on page 86
- “1170 Ultrabay Enhanced shield kit” on page 100



Step	Screw (quantity)	Color	Torque
1	M2.5 × 4.8 mm, bind-head, nylon-coated (4)	Black	0.392 Nm (4 kgfcm)

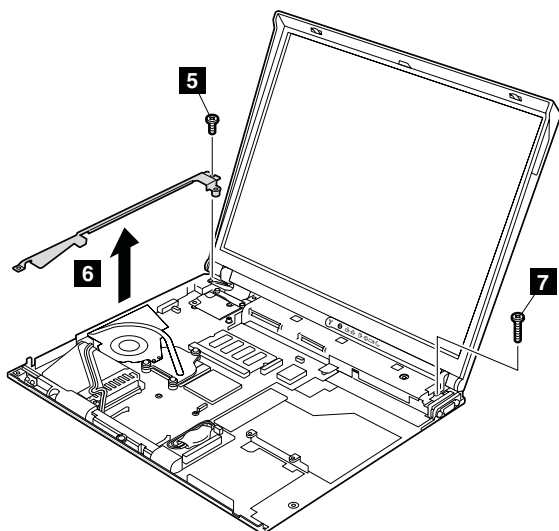
(continued)



Step	Screw (quantity)	Color	Torque
2	M2 × 12 mm, bind-head, nylon-coated (1)	Black	0.245 Nm (2.5 kgfcm)

When installing: Make sure that the connector **4** and the LCD cable retainer **3** are firmly attached, and then secure them with the screw.

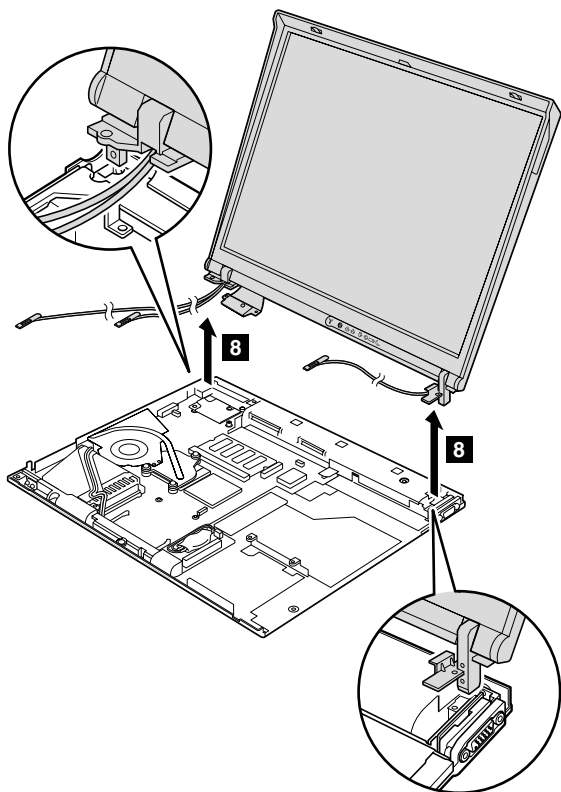
(continued)



Step	Screw (quantity)	Color	Torque
5	M2 × 6 mm, bind-head, nylon-coated (1)	Black	0.245 Nm (2.5 kgfcm)
7	M2 × 6 mm, bind-head, nylon-coated (1)	Black	0.245 Nm (2.5 kgfcm)

(continued)

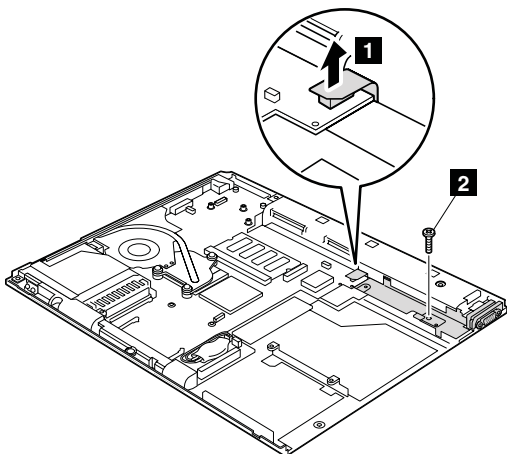
Removing and replacing a FRU



1190 VGA and Ultrabay Enhanced device eject button cable

For access, remove these FRUs in order:

- “1010 Battery pack” on page 68
- “1020 Ultrabay Enhanced device” on page 69
- “1030 Hard disk drive” on page 70
- “1050 Keyboard” on page 73
- “1090 Keyboard bezel” on page 82
- “1170 Ultrabay Enhanced shield kit” on page 100
- “1180 LCD assembly” on page 107

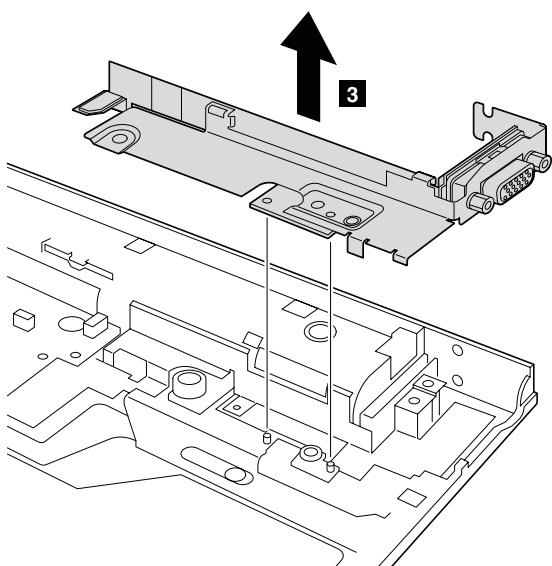


Step	Screw (quantity)	Color	Torque
2	M2 × 4 mm, flat-head, nylon-coated (1)	Black	0.245 Nm (2.5 kgfcm)

When installing: Make sure that the connector **1** is firmly attached.

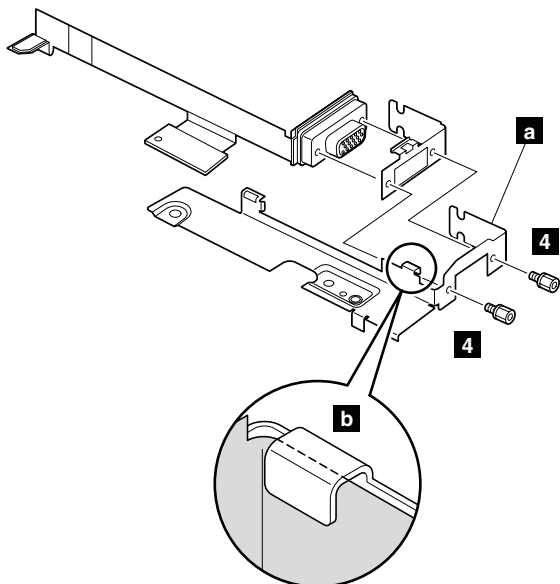
(continued)

Removing and replacing a FRU



(continued)

VGA and Ultrabay Enhanced device eject button cable is attached to S-Video gasket **a**. When re-installing the cable, attach the cable as shown in figure **b**.



Step	Screw (quantity)	Color	Torque
4	Hex stud (2)	Silver	0.392 Nm (4 kgfcm)

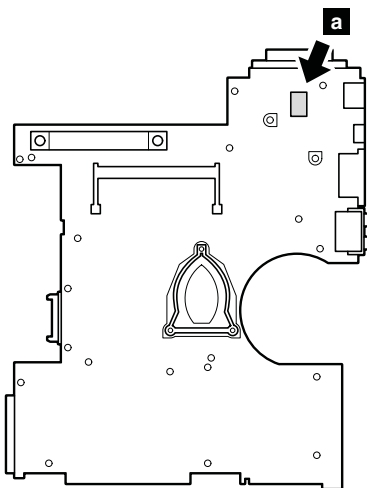
1200 System board, interposer card, and base cover

For access, remove these FRUs, in order:

- “1010 Battery pack” on page 68
- “1020 Ultrabay Enhanced device” on page 69
- “1030 Hard disk drive” on page 70
- “1040 DIMM (optional)” on page 72
- “1050 Keyboard” on page 73
- “1060 DIMM (standard)” on page 77
- “1070 Modem daughter card (MDC/MDC-2)” on page 78
- “1080 Bluetooth/Modem daughter card (BMDC/BMDC-2)” on page 80
- “1090 Keyboard bezel” on page 82
- “1100 Mini PCI adapter” on page 86
- “1110 Fan assembly” on page 90
- “1120 CPU” on page 91
- “1130 Backup battery” on page 92
- “1140 Speaker assembly” on page 93
- “1150 IEEE 1394 cable” on page 95
- “1160 PC Card slots assembly” on page 98
- “1170 Ultrabay Enhanced shield kit” on page 100
- “1180 LCD assembly” on page 107
- “1190 VGA and Ultrabay Enhanced device eject button cable” on page 111

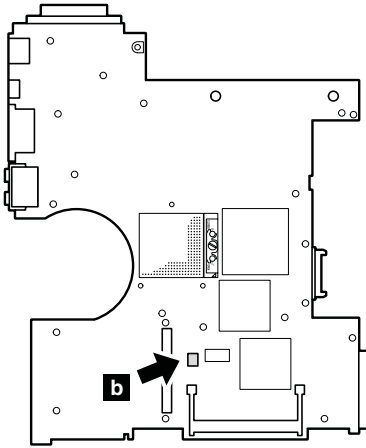
Important notice for handling the system board:

In ThinkPad R50 series, the security chip **a** is soldered on the underside of the system board in some models as in this figure.



(continued)

An accelerometer chip for the IBM HDD Active Protection System **b** is also soldered on the topside of the system board.



(continued)

Important

When handling the system board, bear the following in mind.

- The system board of the ThinkPad R50/R50p, and R51 series has an accelerometer, which can be broken by applying several thousands of G-forces.

Note: Dropping a system board from a height of as little as 6 inches so that it falls flat on a hard bench can subject the accelerometer to as much as 6,000 G's of shock.

- Be careful not to drop the system board on a bench top that has a hard surface, such as metal, wood, or composite.
- If a system board is dropped, you must test it, using PC-Doctor DOS, to make sure that the IBM HDD Active Protection still functions (see below).

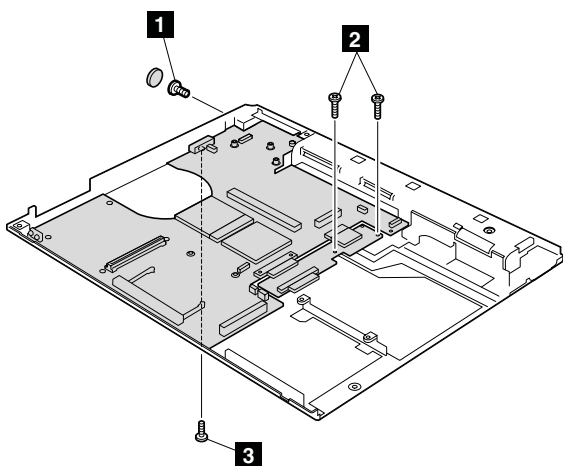
Note: If the test shows that IBM HDD Active Protection is not functioning, be sure to document the drop in any reject report, and replace the system board.

- Avoid rough handling of any kind.
- At every point in the process, be sure not to drop or stack the system board.
- If you put a system board down, be sure to put it only on a padded surface such as an ESD mat or conductive corrugated material.

After replacing the system board, run PC-Doctor DOS to make sure that IBM HDD Active Protection still functions. The procedure is as follows:

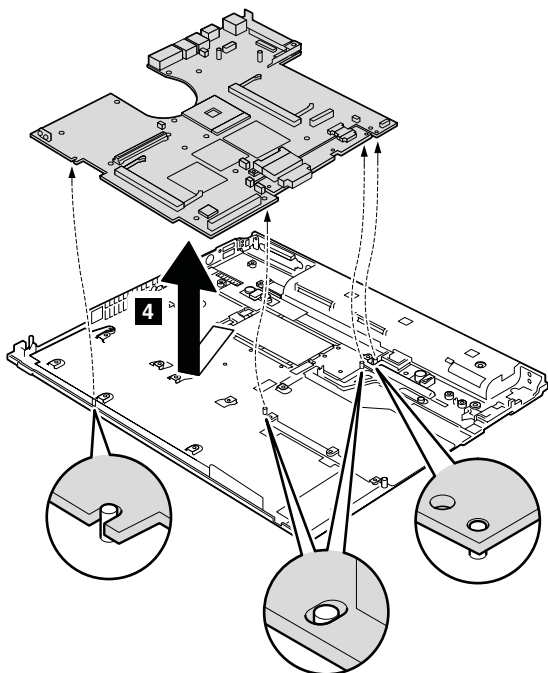
1. Place the computer on a horizontal surface.
2. Run **Diagnostics --> Other Devices --> IBM HDD Active Protection Test.**

Attention: Do not apply physical shock to the computer while the test is running.



Step	Screw (quantity)	Color	Torque
1	M2.5 × 4.8 mm, flat-head, nylon-coated (1)	Silver	0.392 Nm (4 kgfcm)
2	M2 × 4 mm, flat-head, nylon-coated (2)	Black	0.245 Nm (2.5 kgfcm)
3	M2 × 12 mm, bind-head, nylon-coated (1)	Black	0.245 Nm (2.5 kgfcm)

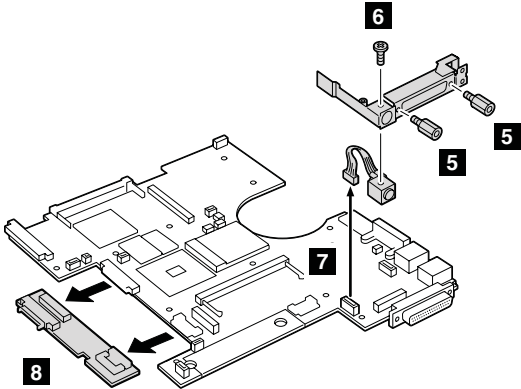
(continued)



When installing: Make sure that the all the guide holes of the system board are firmly attached to the base cover.

(continued)

Remove the connector bracket from the system board by removing screws **5** and **6**. Then remove the ac connector from the system board by disconnecting the cables **7**. Step **8** is only for the models with 15.0-in. LCD models. Other models do not have the interposer card.



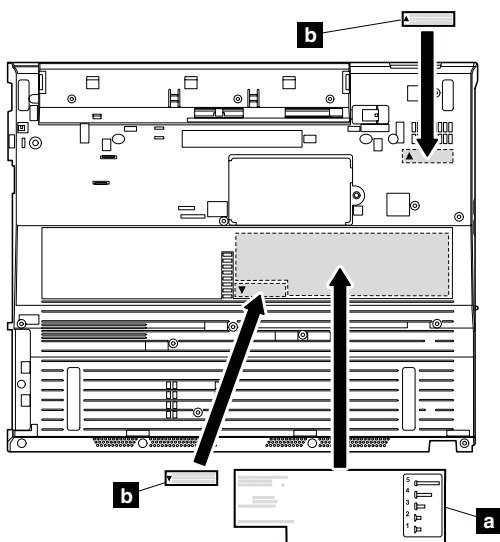
Step	Screw (quantity)	Color	Torque
5	Hex stud (2)	Silver	0.392 Nm (4 kgfcm)
6	M2.5 × 3 mm, flat-head, nylon-coated (1)	Black	0.392 Nm (4 kgfcm)

Note for sticking a label kit on the base cover

New base cover FRU is shipped with several kinds of label kit. When you replace the base cover, you need to stick a homologation label **a** which has the same part no. with the label on the old base cover (defective FRU) on the new base cover.

In some models, you also need to stick one or two FCC labels **b**. Check the old base cover and if there is one or two FCC labels on it, find the same one from the label kit and stick it on the new base cover.

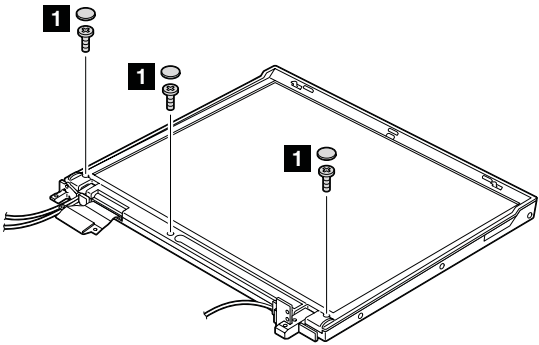
Stick the labels on the new base cover as shown in this figure.




2010 LCD front bezel

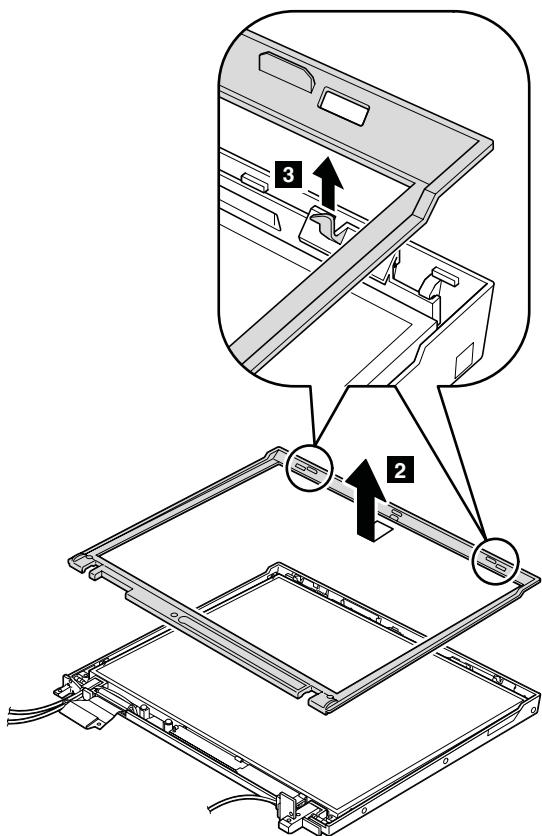
For access, remove these FRUs in order:

- “1010 Battery pack” on page 68
- “1020 Ultrabay Enhanced device” on page 69
- “1030 Hard disk drive” on page 70
- “1050 Keyboard” on page 73
- “1070 Modem daughter card (MDC/MDC-2)” on page 78
- “1080 Bluetooth/Modem daughter card (BMDC/BMDC-2)” on page 80
- “1090 Keyboard bezel” on page 82
- “1100 Mini PCI adapter” on page 86
- “1170 Ultrabay Enhanced shield kit” on page 100
- “1180 LCD assembly” on page 107



Step	Screw cap	Screw (quantity)	Color	Torque
1		M2.5 × 4.8 mm, bind-head, nylon-coated (3)	Black	0.392 Nm (4 kgfcm)

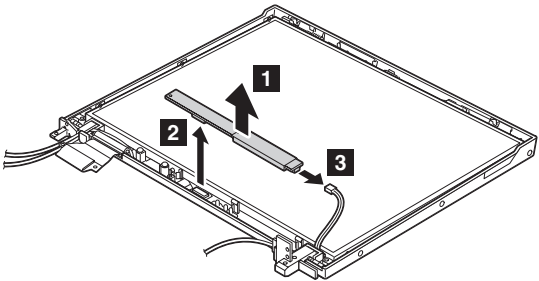
(continued)



2020 Inverter card

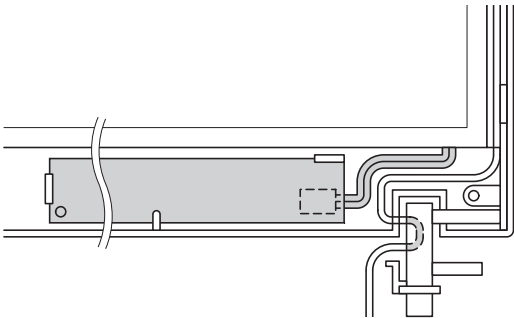
For access, remove these FRUs in order:

- “1010 Battery pack” on page 68
- “1030 Hard disk drive” on page 70
- “1050 Keyboard” on page 73
- “1080 Bluetooth/Modem daughter card (BMDC/BMDC-2)” on page 80
- “1090 Keyboard bezel” on page 82
- “1100 Mini PCI adapter” on page 86
- “1180 LCD assembly” on page 107
- “2010 LCD front bezel” on page 121



When installing: Make sure that connectors **2** and **3** are firmly attached.

Cable routing: When replacing the inverter card, route the connector cable as in this figure:



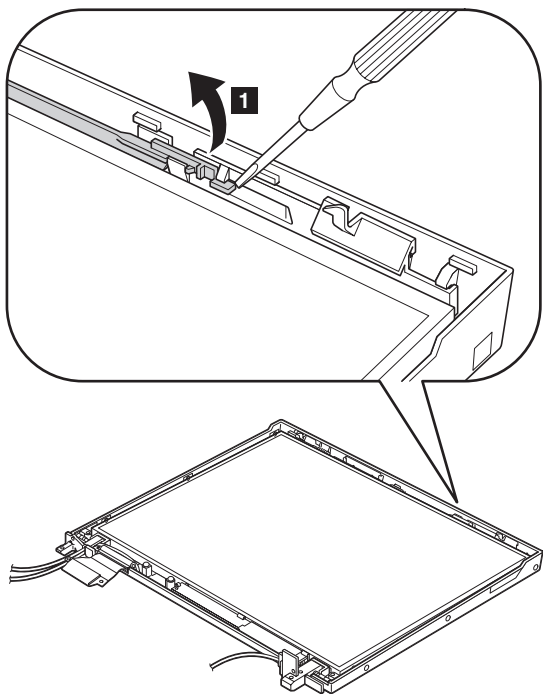
2030 LCD panel, LCD cable assembly, wireless LAN antenna assembly, hinges, and LCD cover

For access, remove these FRUs in order:

- “1010 Battery pack” on page 68
- “1020 Ultrabay Enhanced device” on page 69
- “1030 Hard disk drive” on page 70
- “1050 Keyboard” on page 73
- “1070 Modem daughter card (MDC/MDC-2)” on page 78
- “1080 Bluetooth/Modem daughter card (BMDC/BMDC-2)” on page 80
- “1090 Keyboard bezel” on page 82
- “1100 Mini PCI adapter” on page 86
- “1170 Ultrabay Enhanced shield kit” on page 100
- “1180 LCD assembly” on page 107
- “2010 LCD front bezel” on page 121
- “2020 Inverter card” on page 123

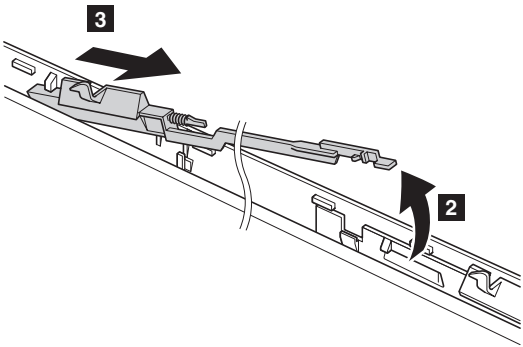
Before removing the LCD panel, remove the left latch first.

In step **1**, unlatch the latch bar as in this figure.

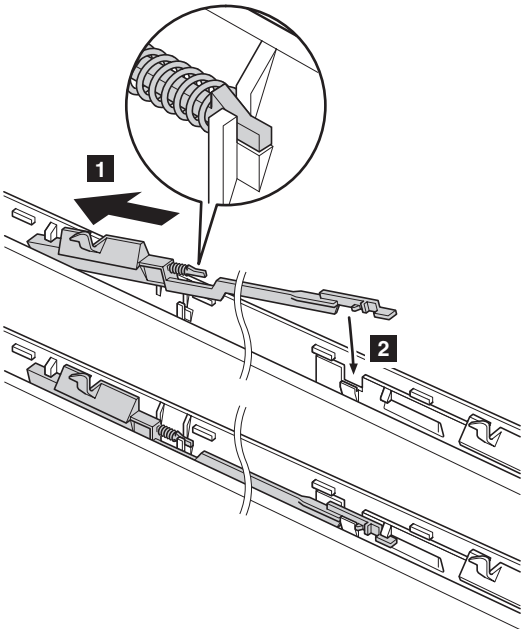


(continued)

Lift the latch bar in the direction of the arrow **2**, and then remove the left latch in the direction of the arrow **3**.

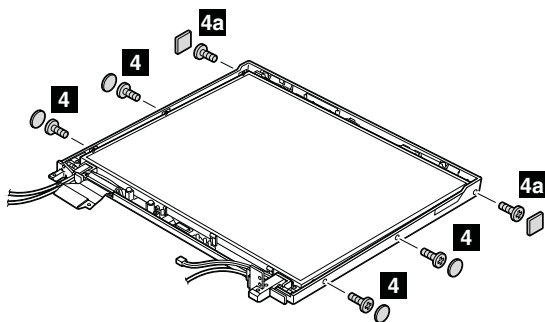




When installing: Attach the left latch to the LCD cover as in this figure.



(continued)

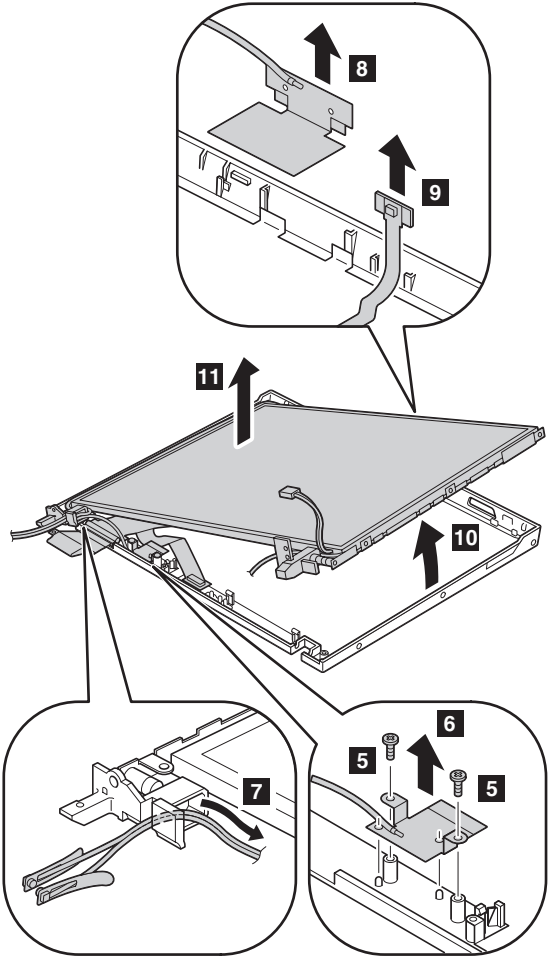
Removing and replacing a FRU



Step	Screw cap	Screw (quantity)	Color	Torque
4		M2 x 4 mm, bind-head, nylon-coated (4)	Black	0.245 Nm (2.5 kgfcm)
4a		M2 x 4 mm, bind-head, nylon-coated (2)	Black	0.245 Nm (2.5 kgfcm)

(continued)

Note: Steps **5** and **6** are only for the models with 15.0-in. SXGA+ LCD, UXGA LCD, and QXGA LCD. For the other models, skip steps **5** and **6**.

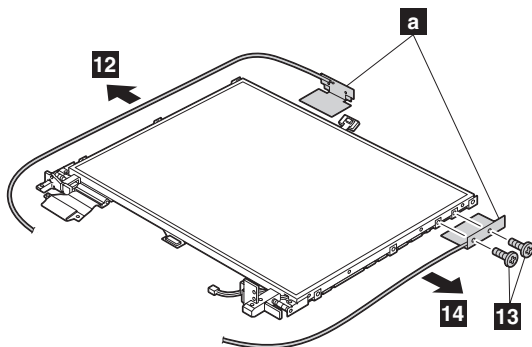


Step	Screw (quantity)	Color	Torque
5	M2 × 4 mm, bind-head, nylon-coated (2)	Black	0.245 Nm (2.5 kgfcm)

(continued)

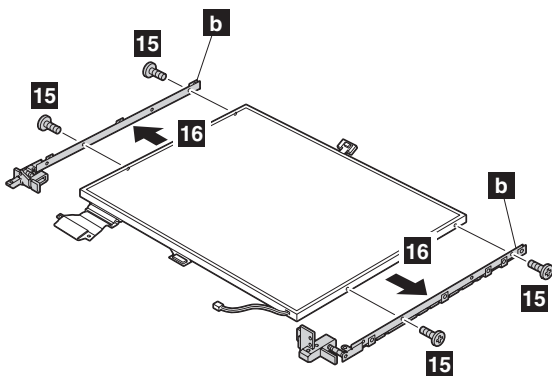
Removing and replacing a FRU

Remove the antenna assembly (**a**).



Step	Screw (quantity)	Color	Torque
13	M2 × 3 mm, small-head, nylon-coated (2)	Silver	0.245 Nm (2.5 kgfcm)

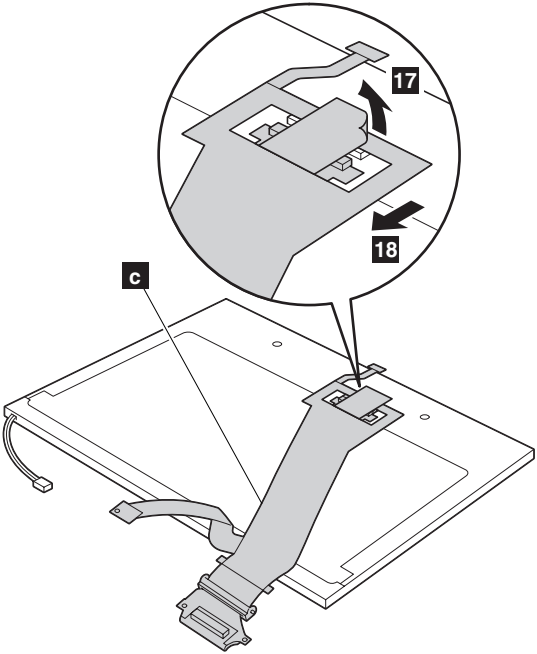
Remove the hinges (**b**) from the LCD assembly.



Step	Screw (quantity)	Color	Torque
15	M2 × 3 mm, small-head, nylon-coated (4)	Silver	0.245 Nm (2.5 kgfcm)

(continued)

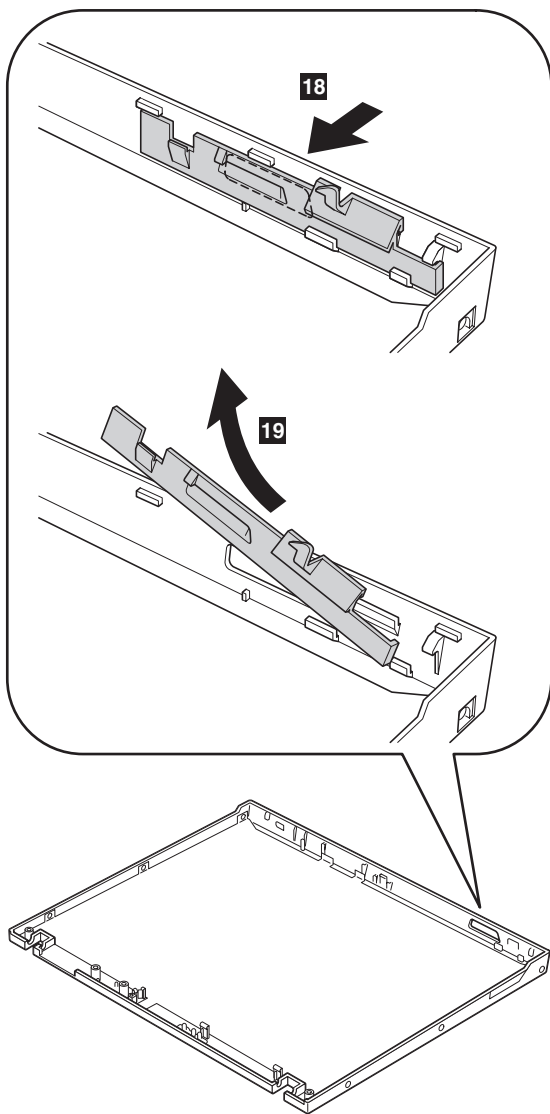
Turn over the LCD panel and strip off the tape **17** securing the FPC (**c**). Then detach the connector **18** in the direction of the arrow.



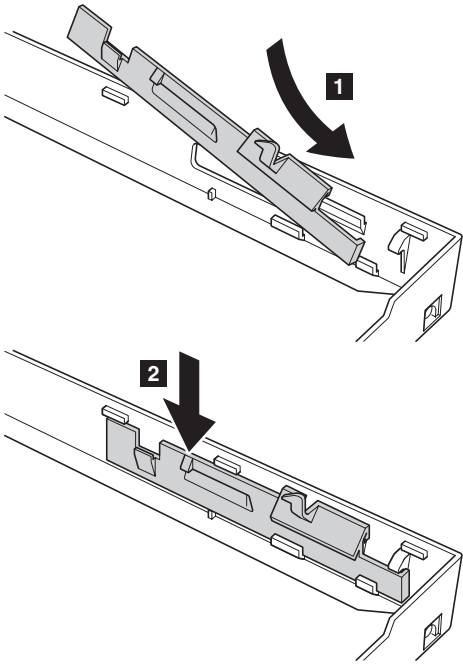
(continued)

Removing and replacing a FRU

Remove the right latch from the LCD cover.

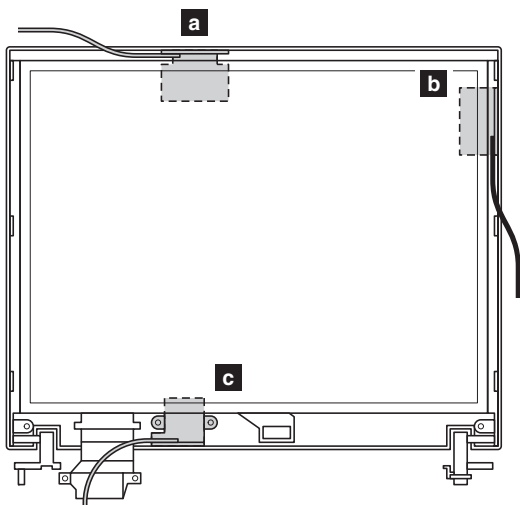


When installing: Attach the right latch to the LCD cover as in this figure.

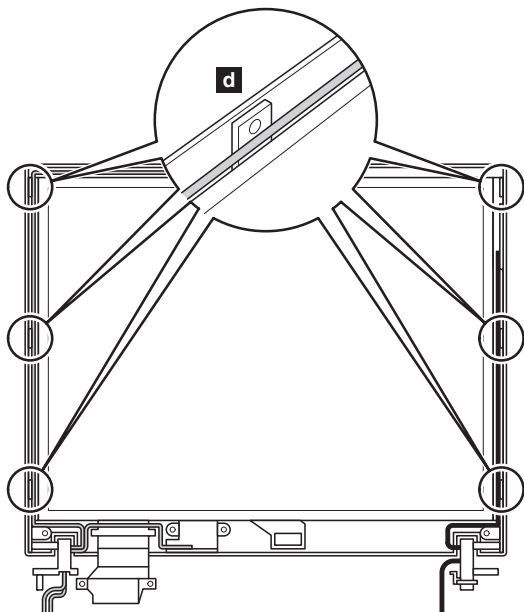


Routing the cables of the wireless LAN antenna:

1. Place the wireless LAN antennas **a** and **b**, and the Bluetooth wireless antenna **c** under the LCD panel.

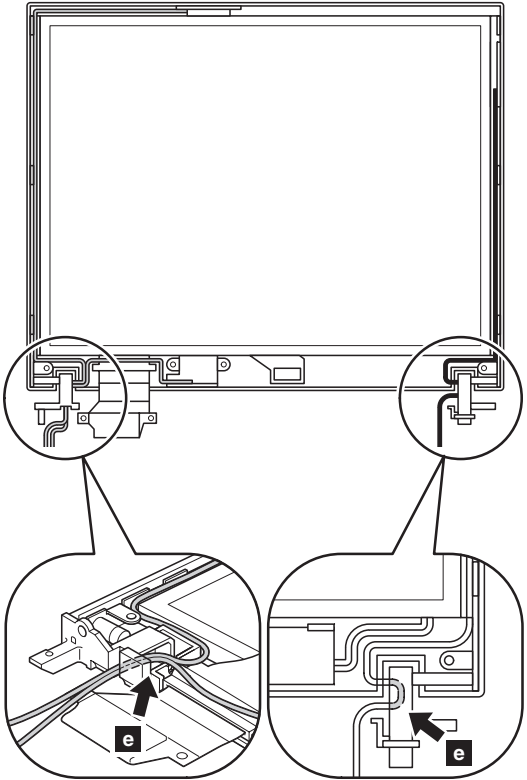


2. Route the antenna cables as in the following drawings:

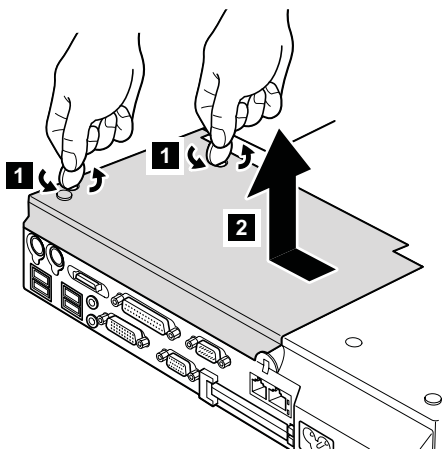


(continued)

3. Route the cables as in the figure below.

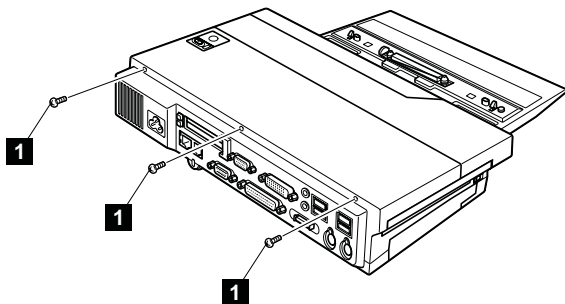


3010 ThinkPad Dock II PCI cover



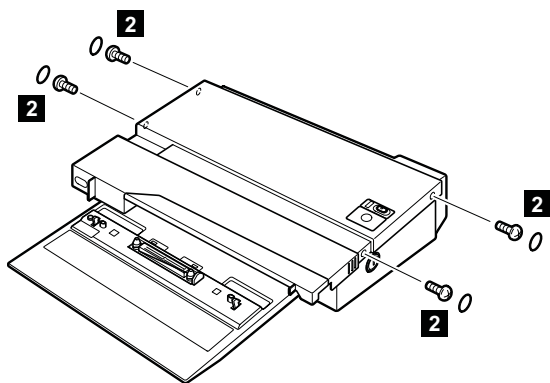
(Bottom view)

3020 ThinkPad Dock II top cover



(Rear view)

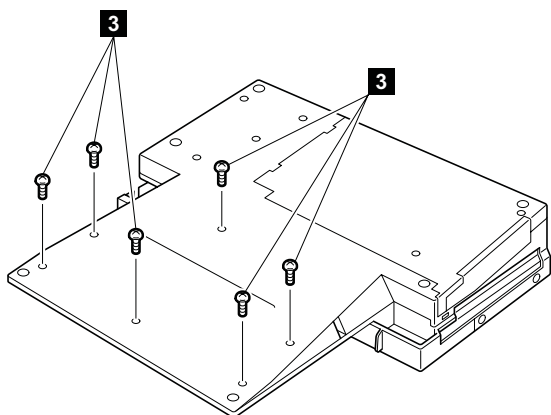
Step	Screw (quantity)	Torque
1	M2.5 × 4.8 mm (3)	0.392 Nm (4 kgfcm)



Step	Screw (quantity)	Torque
2	M2.5 × 4.8 mm (4)	0.392 Nm (4 kgfcm)

(continued)

Removing and replacing a FRU

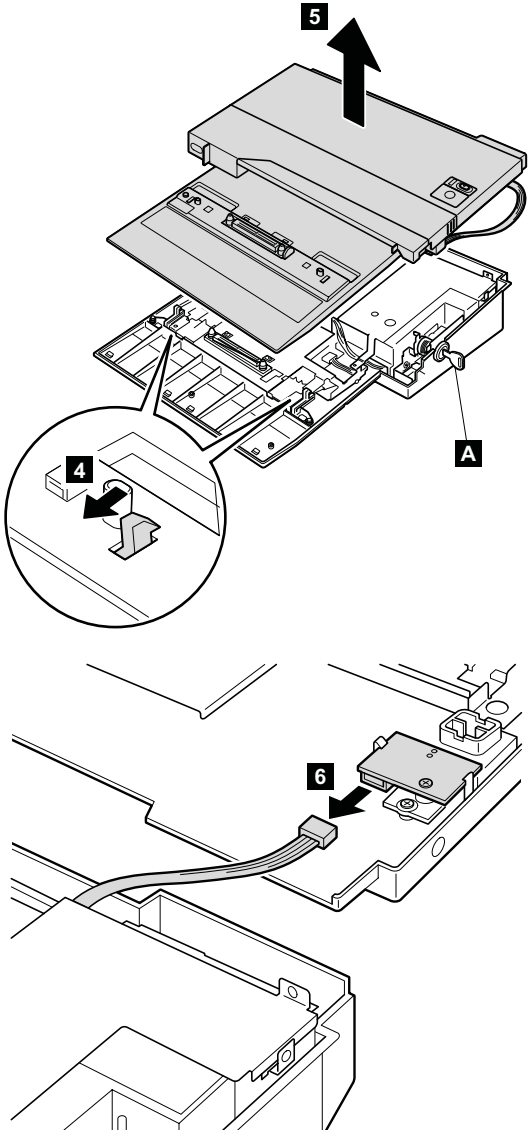


(Bottom view)

Step	Screw (quantity)	Torque
3	M2.5 × 4.8 mm (6)	0.392 Nm (4 kgfcm)

(continued)

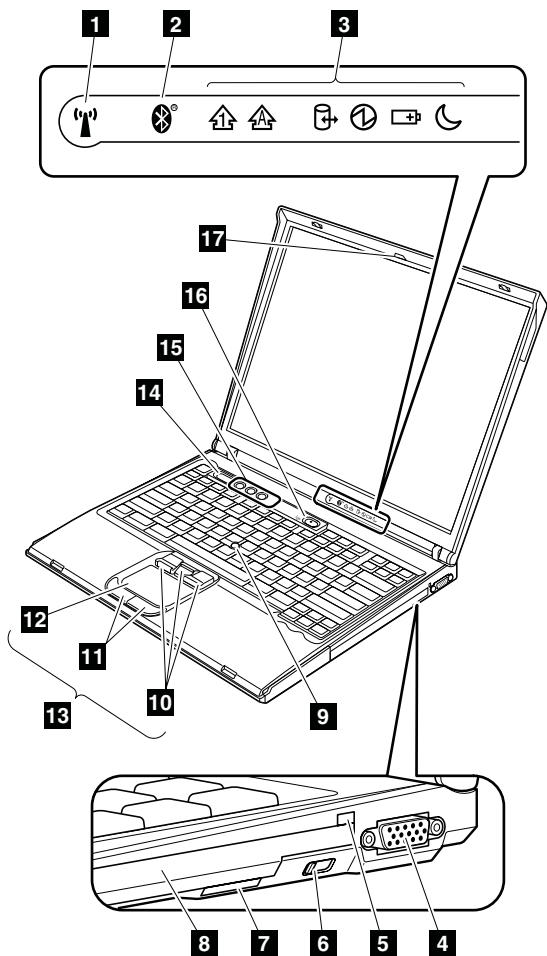
Make sure that the system lock key **A** is set to the Unlock position. Release the front latches in step **4**, and then remove the top cover **5**. Then detach the connector cable **6** as in the figure.



Locations

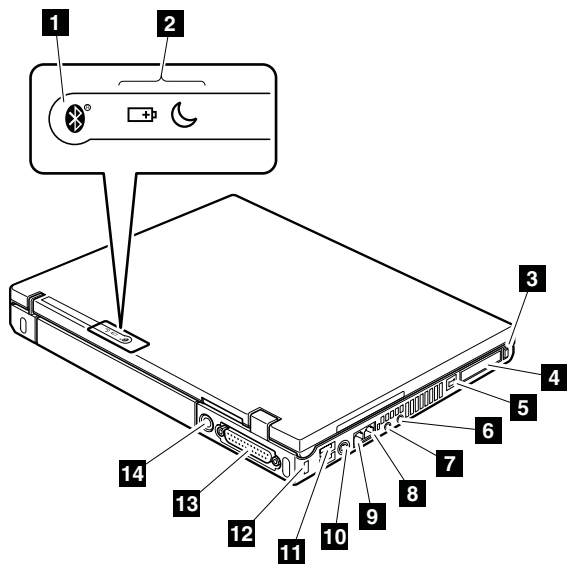
Front view

- 1** Wireless status indicator
- 2** *Bluetooth* wireless status indicator (for some models)
- 3** System and power status indicators
- 4** External monitor connector
- 5** Ultrabay Enhanced status indicator
- 6** Ultrabay Enhanced latch
- 7** Ultrabay Enhanced device eject lever
- 8** Ultrabay Enhanced
- 9** TrackPoint pointing stick
- 10** TrackPoint buttons
- 11** Touch pad buttons
- 12** Touch pad
- 13** UltraNav
- 14** Access IBM button
- 15** Volume control buttons
- 16** Power switch
- 17** ThinkLight



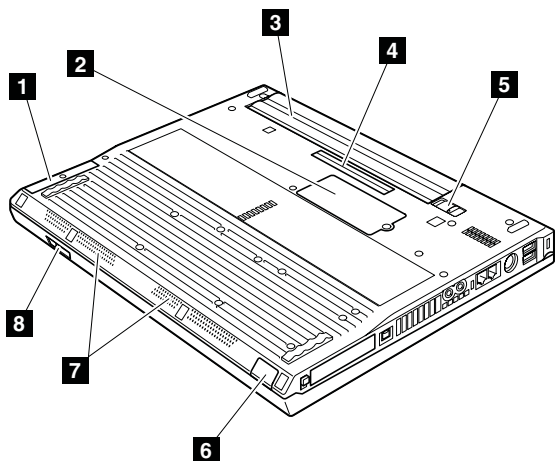
Rear view

- 1** Bluetooth wireless status indicator (for some models)
- 2** Power status indicators
- 3** PC Card eject button
- 4** PC Card slot
- 5** IEEE 1394 connector (for some models)
- 6** Microphone jack
- 7** Stereo headphone jack
- 8** RJ-45 (Ethernet) connector
- 9** RJ-11 (modem) connector
- 10** TV-out connector
- 11** Universal serial bus (USB) connectors
- 12** Security keyhole
- 13** Parallel connector
- 14** AC power connector



Bottom view

- 1** Hard disk drive
- 2** Optional DIMM slot
- 3** Battery pack
- 4** Docking connector
- 5** Battery pack latch
- 6** Infrared port
- 7** Built-in stereo speakers
- 8** LCD latch



Parts list

R50/R50p and R51 series model matrix

The R50/R50p and R51 series include several models. The following table summarizes the characteristics of each model, to help you determine which FRU in the part list meets your need.

Model	Bay device	Mini PCI adapter	Ethernet	CDC	HDD
R50 (CPU, Ban 1.4G; memory, 256 MB; video chip, M7-32; LCD, 14.1-in. XGA)					
1829-43x, 1830-46x ^{SC}	CD-ROM (12.7)	—	10/100	MDC	30 GB, 4,200 rpm
1830-47x ^{SC}		802.11b (Intel)			
1829-44x, 1830-48x, 1831-48x ^{SC}	DVD-ROM (12.7)	—	Gigabit		
1829-4Ax ^{SC}		802.11b (Intel)			
1829-52x ^{1394, SC}		—			
1829-53x ^{1394, SC}		802.11b (Intel)			
1829-54x, 55x ^{1394, SC}	DVD/ CD-RW combo (12.7)	—			
1829-56x, 57x, 1830-56x, 1831-56x ^{1394, SC}		802.11b (Intel)			
1829-58x, 59x ^{1394, SC}	DVD-ROM (12.7)				40 GB, 4,200 rpm
1829-5Bx, 1830-5Ax, 1831-5Ax ^{1394, SC}	DVD/ CD-RW combo (12.7)				
1830-5Cx, 1831-5Cx ^{1394, SC}		802.11 a/b/g (IBM)			

(continued)

Model	Bay device	Mini PCI adapter	Ethernet	CDC	HDD
R50 (CPU, Ban 1.4G; memory, 256 MB; video chip, M7-32; LCD, 15.0-in. XGA)					
1829-68x ¹³⁹⁴ , SC	DVD-ROM (12.7)	802.11b (Intel)	Gigabit	MDC	30 GB, 4,200 rpm
1829-63x ^{SC}	DVD/ CD-RW combo (12.7)		10/100		40 GB, 4,200 rpm
R50 (CPU, Ban 1.4G; memory, 256 MB; video chip, M7-32; LCD, 15.0-in. SXGA+/IPS)					
1829-78x ¹³⁹⁴ , BT, SC	DVD-ROM (12.7)	802.11b (Intel)	Gigabit	MDC	40 GB, 4,200 rpm
1829-79x ¹³⁹⁴ , BT, SC	DVD/ CD-RW combo (12.7)		10/100		
1829-7Px ^{BT} , SC					
R50 (CPU, Ban 1.4G; memory, 256 MB; video chip, M9-32; LCD, 15.0-in. SXGA+/IPS)					
1830-7Cx, 1831-7Cx ¹³⁹⁴ , BT, SC	DVD/ CD-RW combo (12.7)	802.11b (Intel)	Gigabit	MDC	40 GB, 4,200 rpm
1829-7Dx, 1830-7Dx, 1831-7Dx ¹³⁹⁴ , BT, SC		802.11 a/b/g (IBM)			
R50 (CPU, Ban 1.5G; memory, 256 MB; video chip, M7-32; LCD, 14.1-in. XGA)					
1830-4Fx ^{SC}	DVD/ CD-RW combo (12.7)	802.11b (Intel)	10/100	MDC	30 GB, 4,200 rpm
1829-4Hx ^{SC}					40 GB, 4,200 rpm
1830-5Dx ¹³⁹⁴ , SC	DVD-ROM (12.7)	—	Gigabit		30 GB, 4,200 rpm
1830-5Fx ¹³⁹⁴ , SC	DVD/ CD-RW combo (12.7)	802.11b (Intel)			
1829-5Gx ¹³⁹⁴ , SC	DVD-ROM (12.7)				40 GB, 4,200 rpm
1829-5Hx, 5Jx ¹³⁹⁴ , SC	DVD/ CD-RW combo (12.7)	—			
1829-5Lx ¹³⁹⁴ , SC		802.11b (Intel)			

(continued)

Parts list

Model	Bay device	Mini PCI adapter	Ethernet	CDC	HDD
R50 (CPU, Ban 1.5G; memory, 256 MB; video chip, M7-32; LCD, 15.0-in. XGA)					
1830-67x ^{SC}	DVD-ROM (12.7)	—	10/100	MDC	40 GB, 4,200 rpm
1830-6Fx, 1831-6Fx ^{1394, SC}	DVD/CD-RW combo (12.7)	802.11b (Intel)	Gigabit	MDC	40 GB, 4,200 rpm
1829-6Ax ^{1394, SC}	DVD-ROM (12.7)	—			
1829-6Bx, 1830-6Bx ^{1394, SC}	DVD/CD-RW combo (12.7)	—	Gigabit	MDC	40 GB, 4,200 rpm
1829-6Dx ^{1394, SC, 9C}	—	802.11 a/b/g (IBM)			
R50 (CPU, Ban 1.5G; memory, 256 MB; video chip, M7-32; LCD, 15.0-in. SXGA+/IPS)					
1829-7Ax ^{1394, BT, SC, 9C}	DVD/CD-RW combo (12.7)	802.11 a/b/g (IBM)	Gigabit	MDC	40 GB, 4,200 rpm
R50 (CPU, Ban 1.5G; memory, 256 MB; video chip, M9-32; LCD, 15.0-in. SXGA+/IPS)					
1829-72x ^{1394, BT, SC}	DVD/CD-RW combo (12.7)	802.11b (Intel)	Gigabit	BMDC	40 GB, 4,200 rpm
1829-7Ex ^{1394, BT, SC}	Travel cover	—		MDC	60 GB, 4,200 rpm
1829-7Fx ^{1394, BT, SC}	DVD/CD-RW combo (12.7)	802.11 a/b/g (IBM)			
R50 (CPU, Ban 1.5G; memory, 512 MB; video chip, M9-32; LCD, 15.0-in. SXGA+/IPS)					
1829-7Lx ^{1394, BT, SC}	DVD/CD-RW combo (12.7)	802.11b (Intel)	Gigabit	BMDC	60 GB, 4,200 rpm
R50 (CPU, Ban 1.6G; memory, 256 MB; video chip, M7-32; LCD, 14.1-in. XGA)					
1829-5Mx ^{1394, SC}	DVD/CD-RW combo (12.7)	802.11b (Intel)	Gigabit	MDC	60 GB, 4,200 rpm

(continued)

Model	Bay device	Mini PCI adapter	Ethernet	CDC	HDD
R50 (CPU, Ban 1.6G; memory, 256 MB; video chip, M7-32; LCD, 15.0-in. XGA)					
1840-6Ex, 1841-6Ex ¹³⁹⁴ , SC	DVD- ROM (12.7)	802.11b (Intel)	Gigabit	MDC	40 GB, 4,200 rpm
R50 (CPU, Ban 1.6G; memory, 512 MB; video chip, M7-32; LCD, 15.0-in. XGA)					
1830-6Hx ¹³⁹⁴ , SC	DVD/ CD-RW combo (12.7)	802.11b (Intel)	Gigabit	MDC	40 GB, 4,200 rpm
R50 (CPU, Ban 1.6G; memory, 256 MB; video chip, M7-32; LCD, 15.0-in. SXGA+/IPS)					
1830-7Bx ¹³⁹⁴ , BT, SC, 9C	DVD/ CD-RW combo (12.7)	802.11b (Intel)	Gigabit	MDC	60 GB, 4,200 rpm
R50 (CPU, Ban 1.6G; memory, 256 MB; video chip, M9-32; LCD, 15.0-in. SXGA+/IPS)					
1829-7Hx ¹³⁹⁴ , BT, SC	DVD/ CD-RW combo (12.7)	802.11b (Intel)	Gigabit	MDC	60 GB, 4,200 rpm
1829-7Jx, 7Kx ¹³⁹⁴ , BT, SC, 9C		802.11 a/b/g (IBM)		BMDC	
1829-73x ¹³⁹⁴ , BT, SC, 9C					
R50 (CPU, Ban 1.6G; memory, 512 MB; video chip, M9-32; LCD, 15.0-in. SXGA+/IPS)					
1830-7Gx ¹³⁹⁴ , BT, SC	DVD/ CD-RW combo (12.7)	802.11b (Intel)	Gigabit	MDC	40 GB, 4,200 rpm
1829-7Mx ¹³⁹⁴ , BT, SC, 9C		802.11 a/b/g (IBM)		BMDC	60 GB, 4,200 rpm
1830-7Nx ¹³⁹⁴ , BT, SC, 9C					
1829-75x ¹³⁹⁴ , BT, SC		802.11b (Intel)			
1829-74x, 76x ¹³⁹⁴ , BT, SC, 9C		802.11 a/b/g (IBM)			
1829-77x ¹³⁹⁴ , BT, SC, 9C					

(continued)

Parts list

Model	Bay device	Mini PCI adapter	Ethernet	CDC	HDD
R50p (CPU, Ban 1.7G; memory, 512 MB; video chip, M10 GL-128; LCD, 15.0-in. UXGA IPS)					
1832-25x ^{BT} , SC, 9C	DVD/ CD-RW combo (12.7)	802.11b (Intel)	Gigabit	BMDC	60 GB, 7,200 rpm
1832-23x, 1833-23x ^{BT} , SC, 9C	DVD- RAM/ RW (12.7)	802.11 a/b/g (IBM)			
1832-22x ^{BT} , SC, 9C					
1832-24x, 26x BT, SC, 9C		802.11b (Intel)			80 GB, 4,200 rpm
R50p (CPU, Ban 1.7G; memory, 256 MB; video chip, M7-32; LCD, 15.0-in. UXGA IPS)					
1832-28x ^{BT} , SC, 9C	CD- ROM (12.7)	—	Gigabit	BMDC	60 GB, 7,200 rpm
1832-27x ^{BT} , SC, 9C	DVD/ CD-RW combo (12.7)	802.11b (Intel)			
R51 (CPU, Cel 1.2G; memory, 256 MB; video chip, Intel 855GME; LCD, 14.1-in. XGA)					
2887-52x ¹³⁹⁴ , SC	Travel cover	—	Gigabit	MDC2	30 GB, 4,200 rpm
R51 (CPU, Cel 1.3G; memory, 256 MB; video chip, Intel 855GME; LCD, 14.1-in. XGA)					
2887-45x ^{SC}	CD- ROM (12.7)	—	10/100	MDC2	20 GB, 4,200 rpm
2887-42x ^{SC}	Travel cover				
2887-43x ^{SC}	CD- ROM (12.7)				802.11 b/g (Intel)
2887-2Rx, 2888-2Rx, 2889-2Rx ^{SC}					
2887-44x ^{SC}	DVD- ROM (12.7)				
2887-9Ux ¹³⁹⁴ , SC	DVD/ CD-RW combo (12.7)	—	Gigabit		
2887-9Vx ¹³⁹⁴ , SC		802.11 b/g (Intel)			

(continued)

Model	Bay device	Mini PCI adapter	Ethernet	CDC	HDD
R51 (CPU, Cel 1.3G; memory, 256 MB; video chip, Intel 855GME; LCD, 14.1-in. XGA)					
2887-53x ¹³⁹⁴ , SC	Travel cover	—	Gigabit	MDC2	40 GB, 4,200 rpm
R51 (CPU, Cel 1.3G; memory, 128 MB; video chip, Intel 855GME; LCD, 15.0-in. XGA)					
2887-67x ^{SC}	CD-ROM (12.7)	—	10/100	MDC2	20 GB, 4,200 rpm
R51 (CPU, Cel 1.3G; memory, 256 MB; video chip, Intel 855GME; LCD, 15.0-in. XGA)					
2887-62x ^{SC}	CD-ROM (12.7)	802.11 a/b/g (IBM)	10/100	MDC2	30 GB, 4,200 rpm
2887-63x ^{SC}	DVD/CD-RW combo (12.7)				
2887-64x ^{SC}	Travel cover	—	Gigabit	MDC2	40 GB, 4,200 rpm
2887-65x ^{SC}	DVD-ROM (12.7)	802.11 b/g (Intel)			
2887-66x ^{SC}	DVD-ROM (12.7)				
2887-72x, 73x ^{1394, SC}	DVD/CD-RW combo (12.7)	—	Gigabit	MDC2	30 GB, 4,200 rpm
R51 (CPU, 330 (Cel 1.4); memory, 128 MB; video chip, Intel 855GME; LCD, 14.1-in. XGA)					
2887-8Nx ^{SC}	CD-ROM (12.7)	—	10/100	MDC2	30 GB, 4,200 rpm
R51 (CPU, 330 (Cel 1.4); memory, 256 MB; video chip, Intel 855GME; LCD, 14.1-in. XGA)					
2887-86x ^{SC}	Travel cover	—	10/100	MDC2	30 GB, 4,200 rpm
2887-83x ^{SC}	CD-ROM (12.7)				
2887-84x ^{SC}	DVD-ROM (12.7)	802.11 b/g (Intel)	10/100	MDC2	30 GB, 4,200 rpm
2887-85x ^{SC}	DVD-ROM (12.7)				
2887-87x ^{SC}	DVD/CD-RW combo (12.7)	—	10/100	MDC2	40 GB, 4,200 rpm

(continued)

Parts list

Model	Bay device	Mini PCI adapter	Ethernet	CDC	HDD	
R51 (CPU, 330 (Cel 1.4); memory, 256 MB; video chip, Intel 855GME; LCD, 15.0-in. XGA)						
2887-A9x ^{SC}	DVD-ROM (12.7)	—	10/100	MDC2	30 GB, 4,200 rpm	
2887-AAx ^{SC}	CD-ROM (12.7)	802.11 a/b/g (IBM)				
2887-ABx ^{SC}	DVD/CD-RW combo (12.7)	802.11 b/g (Intel)				
2887-A8x ^{SC}						
2887-AEx ^{SC}	Travel cover	—				40 GB, 4,200 rpm
2887-ACx ^{SC}	DVD-ROM (12.7)					
2887-AFx ^{SC}	DVD/CD-RW combo (12.7)					
2887-ADx ^{SC}	DVD-ROM (12.7)				802.11 b/g (Intel)	
2887-BDx ^{1394, SC}	DVD/CD-RW combo (12.7)	—			Gigabit	
2887-BCx, BEx ^{1394, SC}		802.11 b/g (Intel)				

(continued)

Model	Bay device	Mini PCI adapter	Ethernet	CDC	HDD		
R51 (CPU, 340 (Cel 1.5); memory, 256 MB; video chip, Intel 855GME; LCD, 14.1-in. XGA)							
2887-E3x ^{SC}	CD-ROM (12.7)	—	10/100	MDC2	30 GB, 4,200 rpm		
2888-EVx, 2889-EVx ^{SC}		802.11 b/g (Intel)					
2887-G4x, E6x ^{SC}	DVD-ROM (12.7)	—					
2887-E4x ^{SC}	—	802.11 b/g (Intel)					
2887-E8x ^{SC}	DVD-ROM (12.7)	—				Gigabit	30 GB, 4,200 rpm
2887-E7x ^{SC}	DVD/CD-RW combo (12.7)	802.11 b/g (Intel)					
2887-F3x ^{1394, SC}	DVD-ROM (12.7)	—					
R51 (CPU, 340 (Cel 1.5); memory, 256 MB; video chip, Intel 855GME; LCD, 15.0-in. XGA)							
2887-GAx ^{SC}	CD-ROM (12.7)	—	10/100	MDC2	30 GB, 4,200 rpm		
2887-G6x ^{SC}		802.11 a/b/g II (IBM)					
2887-G7x ^{SC}	DVD/CD-RW combo (12.7)	802.11 b/g (Intel)					
2887-G8x ^{SC}	DVD-RAM/RW (12.7)						
2888-GQx ^{SC}	DVD/CD-RW combo (12.7)	—				Gigabit	40 GB, 4,200 rpm
2887-G5x ^{SC}		802.11 b/g (Intel)					
2887-G4x ^{1394, SC}	802.11 b/g (Intel)	—					

(continued)

Parts list

Model	Bay device	Mini PCI adapter	Ethernet	CDC	HDD
R51 (CPU, 340 (Cel 1.5); memory, 512 MB; video chip, Intel 855GME; LCD, 15.0-in. XGA)					
2887-G9x ^{SC}	DVD-RAM/RW (12.7)	802.11 a/b/g II (IBM)	10/100	MDC2	30 GB, 4,200 rpm
R51 (CPU, 350 (Cel 1.3); memory, 256 MB; video chip, Intel 855GME; LCD, 14.1-in. XGA)					
2887-E9x ^{SC}	DVD/CD-RW combo (12.7)	802.11 b/g (Intel)	10/100	MDC2	40 GB, 4,200 rpm
2887-F4x ^{1394, SC}	DVD-ROM (12.7)		Gigabit		30 GB, 4,200 rpm
R51 (CPU, 350 (Cel 1.3); memory, 512 MB; video chip, Intel 855GME; LCD, 14.1-in. XGA)					
2887-F5x, F6x ^{1394, SC}	DVD/CD-RW combo (12.7)	802.11 b/g (Intel)	Gigabit	MDC2	30 GB, 4,200 rpm
R51 (CPU, 350 (Cel 1.3); memory, 512 MB; video chip, Intel 855GME; LCD, 15.0-in. XGA)					
2887-H7x ^{1394, SC}	DVD/CD-RW combo (12.7)	802.11 b/g (Intel)	Gigabit	MDC2	40 GB, 4,200 rpm
R51 (CPU, 360 (Cel 1.4); memory, 256 MB; video chip, Intel 855GME; LCD, 14.1-in. XGA)					
2887-EAx ^{SC}	DVD/CD-RW combo (12.7)	802.11 b/g (Intel)	10/100	MDC2	40 GB, 4,200 rpm
R51 (CPU, 360 (Cel 1.4); memory, 512 MB; video chip, Intel 855GME; LCD, 14.1-in. XGA)					
2887-F7x ^{1394, SC}	DVD/CD-RW combo (12.7)	—	Gigabit	MDC2	40 GB, 4,200 rpm
2887-F8x, F9x ^{1394, SC}		802.11 b/g (Intel)			
R51 (CPU, 360 (Cel 1.4); memory, 256 MB; video chip, Intel 855GME; LCD, 15.0-in. XGA)					
2887-GBx ^{SC}	—	—	10/100	MDC2	40 GB, 4,200 rpm

(continued)

Model	Bay device	Mini PCI adapter	Ethernet	CDC	HDD
R51 (CPU, 360 (Cel 1.4); memory, 512 MB; video chip, Intel 855GME; LCD, 15.0-in. XGA)					
2887-H8x ¹³⁹⁴ , SC	DVD/ CD-RW combo (12.7)	802.11 b/g (Intel)	Gigabit	MDC2	40 GB, 4,200 rpm
R51 (CPU, Ban 1.5G; memory, 128 MB; video chip, Intel 855GME; LCD, 14.1-in. XGA)					
2887-2Kx ^{SC}	CD- ROM (12.7)	802.11 b/g (Intel)	10/100	MDC2	20 GB, 4,200 rpm
R51 (CPU, Ban 1.5G; memory, 256 MB; video chip, Intel 855GME; LCD, 14.1-in. XGA)					
2888-47x, 2889-47x, 2894-47x, 2895-47x ^{SC}	DVD- ROM (12.7)	—	10/100	MDC2	20 GB, 4,200 rpm
2887-46x ^{SC}	DVD/ CD-RW combo (12.7)	802.11 b/g (Intel)	Gigabit		30 GB, 4,200 rpm
2888-2Wx, 2889-2Wx ^{SC}					40 GB, 4,200 rpm
2887-54x ¹³⁹⁴ , SC	CD- ROM (12.7)	—			30 GB, 4,200 rpm
2887-55x, 56x ^{1394, SC}	DVD- ROM (12.7)	802.11 b/g (Intel)			40 GB, 4,200 rpm
2887-57x, 58x ^{1394, SC}					
2887-5Tx ¹³⁹⁴ , SC	DVD- ROM (12.7)	—			
2887-59x ¹³⁹⁴ , SC	CD- ROM (12.7)	802.11 b/g (Intel)			
2887-5Ax ¹³⁹⁴ , SC					
2887-5Bx, 2888-5Px ¹³⁹⁴ , SC	DVD/ CD-RW combo (12.7)	—			
2887-5Sx ¹³⁹⁴ , SC				60 GB, 4,200 rpm	

(continued)

Parts list

Model	Bay device	Mini PCI adapter	Ethernet	CDC	HDD		
R51 (CPU, Ban 1.5G; memory, 128 MB; video chip, Intel 855GME; LCD, 15.0-in. XGA)							
2887-2Lx ^{SC}	CD-ROM (12.7)	802.11 b/g (Intel)	10/100	MDC2	20 GB, 4,200 rpm		
R51 (CPU, Ban 1.5G; memory, 256 MB; video chip, Intel 855GME; LCD, 15.0-in. XGA)							
2887-74x ^{1394, SC}	DVD/CD-RW combo (12.7)	—	Gigabit	MDC2	30 GB, 4,200 rpm		
2887-7Rx ^{1394, SC}		802.11 b/g (Intel)			40 GB, 4,200 rpm		
2887-76x ^{1394, SC}					802.11 a/b/g (IBM)	40 GB, 4,200 rpm	
2887-7Mx ^{1394, SC}							
2887-7Kx ^{1394, SC}	CD-ROM (12.7)	802.11 b/g (Intel)			10/100	MDC2	40 GB, 4,200 rpm
2887-75x ^{1394, SC}	DVD-ROM (12.7)						
2887-32x ^{SC}	DVD/CD-RW combo (12.7)						
R51 (CPU, Ban 1.5G; memory, 512 MB; video chip, Intel 855GME; LCD, 15.0-in. XGA)							
2887-7Lx ^{1394, SC}	CD-ROM (12.7)	802.11 a/b/g (IBM)	Gigabit	MDC2	40 GB, 4,200 rpm		
2887-7Nx ^{1394, SC}	DVD/CD-RW combo (12.7)						
2887-7Px ^{1394, SC}	DVD-RAM/RW (12.7)						

(continued)

Model	Bay device	Mini PCI adapter	Ethernet	CDC	HDD
R51 (CPU, Ban 1.6G; memory, 256 MB; video chip, Intel 855GME; LCD, 14.1-in. XGA)					
2888-4Bx ^{SC}	DVD-ROM (12.7)	802.11 b/g (Intel)	10/100	MDC2	30 GB, 4,200 rpm
2887-49x ^{SC}	DVD/CD-RW combo (12.7)				
2888-4Ax ^{SC}	CD-ROM (12.7)	—	Gigabit		
2887-5Cx ^{1394, SC}					
2887-5Dx, 5Ex ^{1394, SC}	DVD-ROM (12.7)	802.11 b/g (Intel)			
2887-5Fx ^{1394, SC}	DVD/CD-RW combo (12.7)				
2887-5Ux ^{1394, SC}	DVD/CD-RW combo (12.7)	—			
2887-5Gx ^{1394, SC}	Travel cover	802.11 b/g (Intel)			
2887-5Hx, 2888-5Qx ^{1394, SC}	DVD-ROM (12.7)				
2887-5Jx, 5Kx, 2888-5Rx ^{1394, SC}	DVD/CD-RW combo (12.7)	802.11b (Intel)			
2888-5Vx ^{1394, SC}					

(continued)

Parts list

Model	Bay device	Mini PCI adapter	Ethernet	CDC	HDD
R51 (CPU, Ban 1.6G; memory, 256 MB; video chip, Intel 855GME; LCD, 15.0-in. XGA)					
2888-6Ax ^{SC}	DVD-ROM (12.7)	802.11 b/g (Intel)	10/100	MDC2	30 GB, 4,200 rpm
2888-68x ^{SC}	CD-ROM (12.7)				
2888-69x ^{SC}	DVD-ROM (12.7)				
2887-77x ^{1394, SC}	Travel cover	802.11 a/b/g (IBM)	Gigabit	MDC2	40 GB, 4,200 rpm
2887-7Ax ^{1394, SC}	DVD-ROM (12.7)	802.11 b/g (Intel)			
2887-7Bx ^{1394, SC}	DVD/CD-RW combo (12.7)	802.11 a/b/g (IBM)			
2887-7Cx, 2888-7Jx ^{1394, SC}		802.11 b/g (Intel)			
R51 (CPU, Ban 1.6G; memory, 512 MB; video chip, Intel 855GME; LCD, 15.0-in. XGA)					
2887-7Fx ^{1394, SC}	DVD/CD-RW combo (12.7)	802.11 b/g (Intel)	Gigabit	MDC2	60 GB, 4,200 rpm
R51 (CPU, Ban 1.7G; memory, 256 MB; video chip, Intel 855GME; LCD, 14.1-in. XGA)					
2887-5Mx ^{1394, SC}	DVD-ROM (12.7)	802.11 b/g (Intel)	Gigabit	MDC2	40 GB, 4,200 rpm
2887-5Nx ^{1394, SC}	DVD/CD-RW combo (12.7)				
R51 (CPU, Ban 1.7G; memory, 256 MB; video chip, Intel 855GME; LCD, 15.0-in. XGA)					
2887-7Gx, 7Hx ^{1394, SC}	DVD/CD-RW combo (12.7)	802.11 b/g (Intel)	Gigabit	MDC2	40 GB, 4,200 rpm
2887-7Qx ^{1394, SC}		—			

(continued)

Model	Bay device	Mini PCI adapter	Ethernet	CDC	HDD
R51 (CPU, Ban 1.5G; memory, 256 MB; video chip, M7-32; LCD, 14.1-in. XGA)					
1829-C2x ^{SC}	DVD/CD-RW combo (12.7)	802.11 b/g (Intel)	10/100	MDC2	40 GB, 4,200 rpm
1829-C8x, C9x ^{1394, SC}	DVD-ROM (12.7)	—	Gigabit		30 GB, 4,200 rpm
1829-C7x ^{1394, SC}		802.11 b/g (Intel)			
1829-C3x, C4x ^{1394, SC}	DVD/CD-RW combo (12.7)				
1829-CAx ^{1394, SC}	DVD-ROM (12.7)		40 GB, 4,200 rpm		
1829-C5x ^{1394, SC}	DVD/CD-RW combo (12.7)				
1829-C6x ^{1394, SC}	DVD/CD-RW combo (12.7)	60 GB, 4,200 rpm			
R51 (CPU, Ban 1.5G; memory, 256 MB; video chip, M9-32; LCD, 14.1-in. XGA)					
1829-CYx ^{1394, SC}	DVD/CD-RW combo (12.7)	802.11 b/g (Intel)	Gigabit	MDC2	40 GB, 5,400 rpm
R51 (CPU, Ban 1.5G; memory, 512 MB; video chip, M9-32; LCD, 14.1-in. XGA)					
1830-AHx, 1831-AHx ^{1394, SC}	DVD/CD-RW combo (12.7)	802.11 b/g (Intel)	Gigabit	MDC2	40 GB, 4,200 rpm
1830-AJx, 1831-AJx ^{1394, SC}	DVD-RAM/RW (12.7)				60 GB, 4,200 rpm

(continued)

Parts list

Model	Bay device	Mini PCI adapter	Ethernet	CDC	HDD
R51 (CPU, Ban 1.5G; memory, 256 MB; video chip, M7-32; LCD, 15.0-in. XGA)					
1829-D2x ¹³⁹⁴ , SC	DVD/CD-RW combo (12.7)	802.11 b/g (Intel)	Gigabit	MDC2	30 GB, 4,200 rpm
1829-D6x ¹³⁹⁴ , SC	DVD-ROM (12.7)				40 GB, 4,200 rpm
1829-D3x ¹³⁹⁴ , SC	DVD/CD-RW combo (12.7)				
1829-D4x ¹³⁹⁴ , SC		802.11 a/b/g (IBM)			40 GB, 5,400 rpm
1829-D7x ¹³⁹⁴ , SC	—	802.11 b/g (Intel)			
1829-D5x ¹³⁹⁴ , SC	DVD/CD-RW combo (12.7)				
R51 (CPU, Ban 1.5G; memory, 512 MB; video chip, M7-32; LCD, 15.0-in. XGA)					
1829-DRx ¹³⁹⁴ , SC	DVD/CD-RW combo (12.7)	802.11b (Intel)	Gigabit	MDC2	40 GB, 4,200 rpm
R51 (CPU, Ban 1.5G; memory, 256 MB; video chip, M9-32; LCD, 15.0-in. XGA)					
1829-DSx ¹³⁹⁴ , SC	DVD/CD-RW combo (12.7)	802.11 b/g (Intel)	Gigabit	MDC2	40 GB, 5,400 rpm
R51 (CPU, Ban 1.5G; memory, 512 MB; video chip, M9-32; LCD, 15.0-in. SXGA+ IPS)					
1829-E2x ¹³⁹⁴ , BT, SC	DVD/CD-RW combo (12.7)	802.11 b/g (Intel)	Gigabit	MDC2	40 GB, 4,200 rpm
1830-BTx, 1831-BTx ¹³⁹⁴ , BT, SC				BMDC 2	

(continued)

Model	Bay device	Mini PCI adapter	Ethernet	CDC	HDD
R51 (CPU, Ban 1.5G; memory, 512 MB; video chip, M9-32; LCD, 15.0-in. SXGA+ IPS)					
1829-EHx ¹³⁹⁴ , BT, SC	DVD- RAM/ RW (12.7)	802.11b (Intel)	Gigabit	BMDC 2	40 GB, 4,200 rpm
1829-EJx ¹³⁹⁴ , BT, SC	DVD/ CD-RW combo (12.7)	802.11 b/g (Intel)			60 GB, 4,200 rpm
1830-BUx, 1831-BUx ¹³⁹⁴ , BT, SC	DVD- RAM/ RW (12.7)				80 GB, 4,200 rpm
R51 (CPU, Ban 1.6G; memory, 256 MB; video chip, M7-32; LCD, 14.1-in. XGA)					
1830-AAx ^{SC}	CD- ROM (12.7)	—	10/100	MDC2	40 GB, 4,200 rpm
1830-ABx ^{SC}	DVD- ROM (12.7)	802.11 b/g (Intel)			
1830-ACx ^{SC}			—	Gigabit	
1829-CJx, CKx ¹³⁹⁴ , SC		802.11 b/g (Intel)			
1829-CHx ¹³⁹⁴ , SC					
1829-CCx ¹³⁹⁴ , SC	DVD/ CD-RW combo (12.7)				
1829-CBx ¹³⁹⁴ , SC	Travel cover				40 GB, 4,200 rpm
1829-CLx, 1830-AFx, AGx ¹³⁹⁴ , SC	DVD- ROM (12.7)				
1829-CDx, CEx, 1830-ADx, AEx ¹³⁹⁴ , SC	DVD/ CD-RW combo (12.7)				
1829-CFx, 1830-ALx ¹³⁹⁴ , SC		802.11 a/b/g (IBM)			

(continued)

Parts list

Model	Bay device	Mini PCI adapter	Ethernet	CDC	HDD
R51 (CPU, Ban 1.6G; memory, 512 MB; video chip, M7-32; LCD, 14.1-in. XGA)					
1829-CGx 1394, SC	DVD/ CD-RW combo (12.7)	802.11 b/g (Intel)	Gigabit	MDC2	60 GB, 4,200 rpm
1830-AKx 1394, SC		802.11 a/b/g (IBM)			40 GB, 5,400 rpm
R51 (CPU, Ban 1.6G; memory, 512 MB; video chip, M9-32; LCD, 14.1-in. XGA)					
1829-CZx 1394, SC	DVD/ CD-RW combo (12.7)	802.11 b/g (Intel)	Gigabit	MDC2	60 GB, 4,200 rpm
R51 (CPU, Ban 1.6G; memory, 256 MB; video chip, M7-32; LCD, 15.0-in. XGA)					
1829-DAx 1394, SC	DVD/ CD-RW combo (12.7)	802.11 b/g (Intel)	Gigabit	MDC2	30 GB, 4,200 rpm
1829-DEx 1394, SC	DVD- ROM (12.7)				40 GB, 4,200 rpm
1830-BLx, 1831-BLx, 1394, SC	DVD/ CD-RW combo (12.7)	802.11b (Intel)			
1829-DBx, DTx 1394, SC		802.11 b/g (Intel)			
1829-DCx, 1830-BKx, BVx 1394, SC		802.11 a/b/g (IBM)			
1829-DGx 1394, SC	DVD- RAM/ RW (12.7)				
1829-DHx 1394, SC	—	802.11 b/g (Intel)			60 GB, 4,200 rpm
1829-D8x 1394, SC	CD- ROM (12.7)	802.11 a/b/g (IBM)			
1829-DFx 1394, SC	DVD- ROM (12.7)	802.11 b/g (Intel)			
1829-D9x 1394, SC	DVD/ CD-RW combo (12.7)	—			
1829-DDx 1394, SC		802.11 a/b/g (IBM)			

(continued)

Model	Bay device	Mini PCI adapter	Ethernet	CDC	HDD
R51 (CPU, Ban 1.6G; memory, 256 MB; video chip, M9-32; LCD, 15.0-in. SXGA+ IPS)					
1830-BQx 1394, BT, SC	DVD/ CD-RW combo (12.7)	802.11 b/g (Intel)	Gigabit	MDC2	40 GB, 4,200 rpm
R51 (CPU, Ban 1.6G; memory, 512 MB; video chip, M9-32; LCD, 15.0-in. SXGA+ IPS)					
1829-E9x ¹³⁹⁴ , BT, SC	DVD/ CD-RW combo (12.7)	802.11 b/g (Intel)	Gigabit	BMDC 2	60 GB, 4,200 rpm
1829-EAx ¹³⁹⁴ , BT, SC	DVD- RAM/ RW (12.7)				
R51 (CPU, Ban 1.7G; memory, 256 MB; video chip, M7-32; LCD, 14.1-in. XGA)					
1829-CMx 1394, SC	DVD/ CD-RW combo (12.7)	802.11 b/g (Intel)	Gigabit	MDC2	30 GB, 4,200 rpm
1829-CNx 1394, SC		802.11 a/b/g (IBM)			40 GB, 4,200 rpm
R51 (CPU, Ban 1.7G; memory, 512 MB; video chip, M7-32; LCD, 14.1-in. XGA)					
1829-CPx ¹³⁹⁴ , SC	DVD- ROM (12.7)	802.11 b/g (Intel)	Gigabit	MDC	60 GB, 4,200 rpm
R51 (CPU, Ban 1.7G; memory, 256 MB; video chip, M9-32; LCD, 14.1-in. XGA)					
1829-CWx 1394, SC	DVD- ROM (12.7)	—	Gigabit	MDC2	40 GB, 4,200 rpm
1829-CQx 1394, SC	Travel cover	802.11 a/b/g (IBM)			
1829-CUx 1394, SC	DVD- ROM (12.7)	802.11 b/g (Intel)			
1829-CXx ¹³⁹⁴ , SC	DVD/ CD-RW combo (12.7)	—			
1829-CRx 1394, SC		802.11 a/b/g (IBM)			
1829-CSx ¹³⁹⁴ , SC		802.11 b/g (Intel)			

(continued)

Parts list

Model	Bay device	Mini PCI adapter	Ethernet	CDC	HDD
R51 (CPU, Ban 1.7G; memory, 512 MB; video chip, M9-32; LCD, 14.1-in. XGA)					
1829-CTx ¹³⁹⁴ , SC	DVD/ CD-RW combo (12.7)	802.11 b/g (Intel)	Gigabit	MDC2	60 GB, 4,200 rpm
1829-CVx ¹³⁹⁴ , SC	DVD- RAM/ RW (12.7)				
R51 (CPU, Ban 1.7G; memory, 256 MB; video chip, M7-32; LCD, 15.0-in. XGA)					
1830-BJx, 1831-BJx ^{SC}	DVD- ROM (12.7)	802.11 b/g (Intel)	10/100	MDC2	40 GB, 4,200 rpm
1829-DKx ¹³⁹⁴ , SC			Gigabit		
1830-BMx, 1831-BMx ^{1394, SC}	DVD/ CD-RW combo (12.7)	802.11 a/b/g (IBM)			
1829-DJx ¹³⁹⁴ , SC					
1829-DLx ¹³⁹⁴ , SC	DVD- RAM/ RW (12.7)				
R51 (CPU, Ban 1.7G; memory, 256 MB; video chip, M9-32; LCD, 15.0-in. XGA)					
1829-DMx, 1830-BPx ¹³⁹⁴ , SC	DVD/ CD-RW combo (12.7)	802.11 a/b/g (IBM)	Gigabit	MDC2	40 GB, 4,200 rpm
R51 (CPU, Ban 1.7G; memory, 512 MB; video chip, M9-32; LCD, 15.0-in. XGA)					
1829-DNx, 1830-BNx ¹³⁹⁴ , SC	DVD/ CD-RW combo (12.7)	802.11 b/g (Intel)	Gigabit	MDC2	40 GB, 4,200 rpm
1829-DPx ¹³⁹⁴ , SC					60 GB, 4,200 rpm
1829-DQx ^{1394, SC}	DVD- RAM/ RW (12.7)	802.11 a/b/g (IBM)			

(continued)

Model	Bay device	Mini PCI adapter	Ethernet	CDC	HDD			
R51 (CPU, Ban 1.7G; memory, 512 MB; video chip, M9-32; LCD, 15.0-in. SXGA+ IPS)								
1830-BRx, 1831-BRx ¹³⁹⁴ , BT, SC	DVD/ CD-RW combo (12.7)	802.11 b/g (Intel)	Gigabit	MDC2	40 GB, 4,200 rpm			
1829-E3x, 1830-BSx ¹³⁹⁴ , BT, SC, 9C					60 GB, 4,200 rpm			
1829-E5x ¹³⁹⁴ , BT, SC, 9C	DVD- RAM/ RW (12.7)							
1829-E6x ¹³⁹⁴ , BT, SC	—				80 GB, 4,200 rpm			
1829-E4x ¹³⁹⁴ , BT, SC	DVD/ CD-RW combo (12.7)	802.11 a/b/g (IBM)		BMDC 2	60 GB, 4,200 rpm			
1829-EBx ¹³⁹⁴ , BT, SC, 9C		802.11 b/g (Intel)						
1829-ECx ¹³⁹⁴ , BT, SC								
1829-EEx ¹³⁹⁴ , BT, SC	DVD- RAM/ RW (12.7)	802.11 a/b/g (IBM)				Gigabit	MDC2	60 GB, 4,200 rpm
1829-EDx ¹³⁹⁴ , BT, SC, 9C								
1829-EFx ¹³⁹⁴ , BT, SC								
1829-EGx ¹³⁹⁴ , BT, SC, 9C								
				BMDC 2	80 GB, 4,200 rpm			

(continued)

Parts list

Model	Bay device	Mini PCI adapter	Ethernet	CDC	HDD
R51 (CPU, 715 (Dot 1.5); memory, 128 MB; video chip, Intel 855GME; LCD, 14.1-in. XGA)					
2887-8Px ^{SC}	CD-ROM (12.7)	802.11 b/g (Intel)	10/100	MDC2	30 GB, 4,200 rpm
R51 (CPU, 715 (Dot 1.5); memory, 256 MB; video chip, Intel 855GME; LCD, 14.1-in. XGA)					
2887-8Mx, 2888-8Rx, 2889-8Sx ^{SC}	DVD-ROM (12.7)	—	10/100	MDC2	30 GB, 4,200 rpm
2887-89x, 2888-8Hx, 2889-8Kx ^{SC}		802.11 b/g (Intel)			
2887-8Ax ^{SC}	Travel cover	—			40 GB, 4,200 rpm
2887-98x ^{1394, SC}	CD-ROM (12.7)	802.11 b/g (Intel)	Gigabit		30 GB, 4,200 rpm
2887-9Bx, 9Cx ^{1394, SC}	DVD-ROM (12.7)				
2887-99x, 9Ax ^{1394, SC}	DVD/CD-RW combo (12.7)				
2887-9Dx ^{1394, SC}	CD-ROM (12.7)				40 GB, 4,200 rpm
2887-9Kx, 2888-9Sx ^{1394, SC}	DVD-ROM (12.7)				
2887-9Ex, 9Gx, 9Hx, 9Jx, 2888-9Rx, 2888-9Tx ^{1394, SC}	DVD/CD-RW combo (12.7)				
2888-FGx ^{1394, SC}		802.11b (Intel)			
2887-9Fx ^{1394, SC}		—			
R51 (CPU, 715 (Dot 1.5); memory, 512 MB; video chip, Intel 855GME; LCD, 14.1-in. XGA)					
2887-9Lx ^{1394, SC}	DVD/CD-RW combo (12.7)	802.11 b/g (Intel)	Gigabit	MDC2	60 GB, 4,200 rpm

(continued)

Model	Bay device	Mini PCI adapter	Ethernet	CDC	HDD
R51 (CPU, 715 (Dot 1.5); memory, 256 MB; video chip, Intel 855GME; LCD, 15.0-in. XGA)					
2887-AQx, 2888-ASx, 2889-ATx ^{SC}	DVD-ROM (12.7)	—	10/100	MDC2	30 GB, 4,200 rpm
2887-A5x, AGx ^{SC}	DVD/CD-RW combo (12.7)	802.11 b/g (Intel)	Gigabit		40 GB, 4,200 rpm
2887-BJx ^{1394, SC}	CD-ROM (12.7)	802.11 a/b/g (IBM)			
2887-BHx ^{1394, SC}	DVD-ROM (12.7)	802.11 b/g (Intel)			
2887-BGx ^{1394, SC}	DVD/CD-RW combo (12.7)	802.11b (Intel)			
2888-M3x ^{1394, SC}					
2887-BKx ^{1394, SC}					
R51 (CPU, 715 (Dot 1.5); memory, 512 MB; video chip, Intel 855GME; LCD, 15.0-in. XGA)					
2887-A6x ^{SC}	DVD/CD-RW combo (12.7)	802.11 b/g (Intel)	10/100	MDC2	40 GB, 4,200 rpm
2887-BFx ^{1394, SC}			Gigabit		
2887-BLx ^{1394, SC}	Travel cover	—			40 GB, 5,400 rpm
2887-BMx ^{1394, SC}	DVD/CD-RW combo (12.7)				
2887-BNx ^{1394, SC}					

(continued)

Parts list

Model	Bay device	Mini PCI adapter	Ethernet	CDC	HDD
R51 (CPU, 725 (Dot 1.6); memory, 256 MB; video chip, Intel 855GME; LCD, 14.1-in. XGA)					
2887-ECx, 2888-ECx, 2889-ECx ^{SC}	DVD-ROM (12.7)	—	10/100	MDC2	30 GB, 4,200 rpm
2887-EBx ^{SC}		802.11 b/g (Intel)			
2888-FHx, 2889-FHx ^{SC}		—	Gigabit		
2887-93x, 94x 1394, SC		802.11 b/g (Intel)			
2887-92x ¹³⁹⁴ , SC	DVD/ CD-RW combo (12.7)		10/100	40 GB, 4,200 rpm	
2887-EEEx ^{SC}	DVD-ROM (12.7)				
2887-EFx ^{SC}	DVD/ CD-RW combo (12.7)	—			
2887-EDx, 2888-EWx, 2889-EWx ^{SC}		802.11 b/g (Intel)	Gigabit		
2888-FJx ^{SC}	DVD-ROM (12.7)	802.11b (Intel)			
2888-9Nx, FAx 1394, SC	DVD/ CD-RW combo (12.7)		802.11 b/g (Intel)		
2887-95x, 96x, B3x, FBx, FCx, 2888-9Px, 9QxFCx, H9x 1394, SC		Travel cover	802.11 b/g (Intel)		
2887-B4x ¹³⁹⁴ , SC					
R51 (CPU, 725 (Dot 1.6); memory, 512 MB; video chip, Intel 855GME; LCD, 14.1-in. XGA)					
2887-FDx ¹³⁹⁴ , SC	DVD- RAM/ RW (12.7)	802.11 b/g (Intel)	Gigabit	MDC2	60 GB, 4,200 rpm

(continued)

Model	Bay device	Mini PCI adapter	Ethernet	CDC	HDD
R51 (CPU, 725 (Dot 1.6); memory, 256 MB; video chip, Intel 855GME; LCD, 15.0-in. XGA)					
2887-GDx ^{SC}	CD-ROM (12.7)	802.11 b/g (Intel)	10/100	MDC2	40 GB, 4,200 rpm
2887-A2x ^{SC}	DVD/CD-RW combo (12.7)	802.11b (Intel)	Gigabit		
2887-A4x ^{SC}					
2887-HAx ^{1394, SC}					
2887-B2x, H9x, 2888-BQx ^{1394, SC}		802.11 b/g (Intel)			
2887-HBx ^{1394, SC}	CD-ROM (12.7)	802.11 a/b/g II (IBM)			
2887-HCx ^{1394, SC}	DVD/CD-RW combo (12.7)				
2887-HDx ^{1394, SC}	DVD-RAM/RW (12.7)				
2887-G2x ^{SC}	DVD/CD-RW combo (12.7)				

(continued)

Parts list

Model	Bay device	Mini PCI adapter	Ethernet	CDC	HDD	
R51 (CPU, 725 (Dot 1.6); memory, 512 MB; video chip, Intel 855GME; LCD, 15.0-in. XGA)						
2887-GCx ^{SC}	DVD-ROM (12.7)	—	10/100	MDC2	30 GB, 4,200 rpm	
2887-A3x ^{SC}	DVD/CD-RW combo (12.7)	802.11 b/g (Intel)	Gigabit		40 GB, 4,200 rpm	
2887-HFx ^{1394, SC}						
2887-HGx ^{1394, SC}						
2887-HEx ^{1394, SC}	DVD-RAM/RW (12.7)	802.11 a/b/g II (IBM)				
2887-H2x ^{SC}	DVD/CD-RW combo (12.7)		802.11 b/g (Intel)			40 GB, 5,400 rpm
2887-B5x, HHx ^{1394, SC}						60 GB, 4,200 rpm
2887-HJx ^{1394, SC}	DVD-RAM/RW (12.7)					
R51 (CPU, 735 (Dot 1.7); memory, 256 MB; video chip, Intel 855GME; LCD, 14.1-in. XGA)						
2888-ETx ^{SC}	CD-ROM (12.7)	802.11 b/g (Intel)	10/100	MDC2	30 GB, 4,200 rpm	
2888-EUx ^{SC}	DVD-ROM (12.7)	—	Gigabit			
2888-ESx, 2889-ESx ^{SC}		802.11 b/g (Intel)				
2887-EGx ^{SC}						40 GB, 4,200 rpm
2887-EHx ^{SC}	DVD/CD-RW combo (12.7)					
2887-97x, 2888-FLx, FMx ^{1394, SC}		802.11b (Intel)				
2887-FEx ^{1394, SC}						
R51 (CPU, 735 (Dot 1.7); memory, 512 MB; video chip, Intel 855GME; LCD, 14.1-in. XGA)						
2888-FNx, 2889-FNx ^{1394, SC}	DVD/CD-RW combo (12.7)	802.11 b/g (Intel)	Gigabit	MDC2	40 GB, 4,200 rpm	

(continued)

Model	Bay device	Mini PCI adapter	Ethernet	CDC	HDD
R51 (CPU, 735 (Dot 1.7); memory, 256 MB; video chip, Intel 855GME; LCD, 15.0-in. XGA)					
2888-GRx ^{SC}	CD-ROM (12.7)	802.11 b/g (Intel)	10/100	MDC2	30 GB, 4,200 rpm
2888-GSx ^{SC}	DVD-ROM (12.7)	—			
2888-GTx ^{SC}	DVD-ROM (12.7)	802.11 b/g (Intel)	Gigabit		40 GB, 4,200 rpm
2887-GFx ^{SC}	DVD/CD-RW combo (12.7)				
2887-GE _x ^{1394, SC}	CD-ROM (12.7)				
2887-BB _x ^{1394, SC}	Travel cover				
2887-BA _x ^{1394, SC}	DVD-ROM (12.7)				
2887-B8 _x , 2887-B9 _x , 2887-HK _x , 2887-HM _x , 2888-HM _x , 2887-M5 _x , 2887-M6 _x , 2887-M9 _x , 2889-HM _x , 2887-M5 _x ^{1394, SC}	DVD/CD-RW combo (12.7)				
2887-HL _x ^{1394, SC}		802.11b (Intel)			
2887-HN _x , 2888-HN _x , 2889-HN _x ^{1394, SC}	—	—			
R51 (CPU, 735 (Dot 1.7); memory, 512 MB; video chip, Intel 855GME; LCD, 15.0-in. XGA)					
2887-H3 _x , 2887-HP _x , 2888-HP _x , 2889-HP _x ^{1394, SC}	DVD/CD-RW combo (12.7)	802.11 b/g (Intel)	Gigabit	MDC2	40 GB, 5,400 rpm
2887-H4 _x , 2887-HQ _x ^{1394, SC}					60 GB, 4,200 rpm
2887-HR _x ^{1394, SC}	DVD-RAM/RW (12.7)				

(continued)

Parts list

Model	Bay device	Mini PCI adapter	Ethernet	CDC	HDD
R51 (CPU, 745 (Dot 1.8); memory, 256 MB; video chip, Intel 855GME; LCD, 14.1-in. XGA)					
2887-H3x ^{SC}	DVD/ CD-RW combo (12.7)	802.11 b/g (Intel)	10/100	MDC2	40 GB, 4,200 rpm
2887-FFx ^{1394, SC}			Gigabit		
R51 (CPU, 745 (Dot 1.8); memory, 256 MB; video chip, Intel 855GME; LCD, 15.0-in. XGA)					
2887-GGx ^{SC}	DVD/ CD-RW combo (12.7)	802.11 b/g (Intel)	10/100	MDC2	40 GB, 4,200 rpm
2887-HSx, HTx ^{1394, SC}			Gigabit		
2887-HZx, 2888-HZx, 2889-HZx ^{1394, SC}			60 GB, 4,200 rpm		
R51 (CPU, 745 (Dot 1.8); memory, 512 MB; video chip, Intel 855GME; LCD, 15.0-in. XGA)					
2887-HUx, 2888-HUx ^{1394, SC}	DVD/ CD-RW combo (12.7)	802.11 b/g (Intel)	Gigabit	MDC2	40 GB, 4,200 rpm
2887-HWx ^{1394, SC}					60 GB, 4,200 rpm
2887-HXx, HYx, 2888-HYx ^{1394, SC}	DVD- RAM/ RW (12.7)	802.11 a/b/g II (IBM)			
2887-HVx, M2x ^{1394, SC}					
R51 (CPU, 715 (Dot 1.5); memory, 256 MB; video chip, M7-32; LCD, 14.1-in. XGA)					
1830-G2x ^{1394, SC}	DVD/ CD-RW combo (12.7)	802.11 b/g (Intel)	Gigabit	MDC2	30 GB, 4,200 rpm
1830-G4x ^{1394, SC}	DVD- ROM (12.7)				40 GB, 4,200 rpm
1836-GCx ^{SC}	DVD/ CD-RW combo (12.7)				
1830-G3x, 8Nx ^{1394, SC}					

(continued)

Model	Bay device	Mini PCI adapter	Ethernet	CDC	HDD
R51 (CPU, 715 (Dot 1.5); memory, 256 MB; video chip, M7-32; LCD, 15.0-in. XGA)					
1836-H7x ^{SC}	DVD/CD-RW combo (12.7)	802.11 b/g (Intel)	10/100	MDC2	40 GB, 4,200 rpm
R51 (CPU, 715 (Dot 1.5); memory, 256 MB; video chip, M7-32; LCD, 15.0-in. SXGA+/IPS)					
1836-H8x ^{BT, SC}	DVD/CD-RW combo (12.7)	802.11 b/g (Intel)	10/100	MDC2	40 GB, 4,200 rpm
R51 (CPU, 715 (Dot 1.5); memory, 256 MB; video chip, M9-32; LCD, 14.1-in. XGA)					
1836-GDx ^{1394, SC}	DVD-RAM/RW (12.7)	802.11 a/b/g (IBM)	Gigabit	MDC2	60 GB, 4,200 rpm
R51 (CPU, 715 (Dot 1.5); memory, 512 MB; video chip, M9-32; LCD, 15.0-in. SXGA+/IPS)					
1829-L2x ^{1394, BT, SC}	DVD-RAM/RW (12.7)	802.11b (Intel)	Gigabit	BMDC 2	40 GB, 4,200 rpm
1829-L3x ^{1394, BT, SC}		802.11 b/g (Intel)			
R51 (CPU, 725 (Dot 1.6); memory, 256 MB; video chip, M7-32; LCD, 14.1-in. XGA)					
1829-83x ^{SC}	DVD-ROM (12.7)	—	10/100	MDC2	30 GB, 4,200 rpm
1829-82x ^{SC}	DVD/CD-RW combo (12.7)	802.11 b/g (Intel)			
1830-8Vx, 1831-8Yx ^{1394, SC}	DVD-ROM (12.7)	—	Gigabit		
1829-84x ^{SC}		802.11 b/g (Intel)			
1830-8Rx ^{1394, SC}					

(continued)

Parts list

Model	Bay device	Mini PCI adapter	Ethernet	CDC	HDD
R51 (CPU, 725 (Dot 1.6); memory, 256 MB; video chip, M7-32; LCD, 14.1-in. XGA)					
1830-G5x ^{SC}	CD-ROM (12.7)	—	10/100	MDC2	40 GB, 4,200 rpm
1830-G8x ^{SC}	DVD-ROM (12.7)	802.11 b/g (Intel)	Gigabit		
1830-G9x ^{SC}					
1830-GAx, GBx ^{1394, SC}					
1829-8Gx ^{1394, SC}	—	—			
1829-8Bx, 8Cx, 8Fx, 1830-G7x, 8Px, 8Sx, 8Ux, 1831-8Xx ^{1394, SC}	DVD/CD-RW combo (12.7)	802.11 b/g (Intel)			
1830-G6x ^{1394, SC}					40 GB, 5,400 rpm
1836-Q3x ^{1394, SC}	DVD-RAM/RW (12.7)	802.11 a/b/g (IBM)			60 GB, 4,200 rpm
R51 (CPU, 725 (Dot 1.6); memory, 512 MB; video chip, M7-32; LCD, 14.1-in. XGA)					
1829-8Dx, 8Ex ^{1394, SC}	DVD/CD-RW combo (12.7)	802.11 b/g (Intel)	Gigabit	MDC2	30 GB, 4,200 rpm
R51 (CPU, 725 (Dot 1.6); memory, 256 MB; video chip, M7-32; LCD, 15.0-in. XGA)					
1829-P3x ^{SC}	DVD-ROM (12.7)	—	10/100	MDC2	30 GB, 4,200 rpm
1829-P2x ^{SC}	CD-ROM (12.7)	802.11 b/g (Intel)	Gigabit		40 GB, 4,200 rpm
1830-H2x, 1831-HHx ^{SC}	DVD/CD-RW combo (12.7)				
1830-F3x ^{1394, SC}	DVD-ROM (12.7)				
1829-P4x, P5x, PEx, 1830-H3x ^{1394, SC}	DVD/CD-RW combo (12.7)				

(continued)

Model	Bay device	Mini PCI adapter	Ethernet	CDC	HDD
R51 (CPU, 725 (Dot 1.6); memory, 512 MB; video chip, M7-32; LCD, 15.0-in. XGA)					
1829-PFx ¹³⁹⁴ , SC	DVD/CD-RW combo (12.7)	802.11 b/g (Intel)	Gigabit	MDC2	40 GB, 5,400 rpm
R51 (CPU, 725 (Dot 1.6); memory, 512 MB; video chip, M7-32; LCD, 15.0-in. SXGA+/IPS)					
1829-94x ¹³⁹⁴ , BT, SC	DVD/CD-RW combo (12.7)	802.11 b/g (Intel)	Gigabit	BMDC 2	40 GB, 5,400 rpm
1829-95x ¹³⁹⁴ , BT, SC					60 GB, 4,200 rpm
R51 (CPU, 725 (Dot 1.6); memory, 512 MB; video chip, M9-32; LCD, 14.1-in. XGA)					
1830-8Kx, 1831-8Kx ¹³⁹⁴ , SC	DVD/CD-RW combo (12.7)	802.11 b/g (Intel)	Gigabit	MDC2	40 GB, 4,200 rpm
1829-8Jx ¹³⁹⁴ , SC					60 GB, 4,200 rpm
1830-8Lx, 1831-8Lx ¹³⁹⁴ , SC					60 GB, 4,200 rpm
R51 (CPU, 725 (Dot 1.6); memory, 256 MB; video chip, M9-32; LCD, 15.0-in. XGA)					
1829-PTx ¹³⁹⁴ , SC	DVD/CD-RW combo (12.7)	802.11 b/g (Intel)	Gigabit	MDC2	40 GB, 4,200 rpm
1829-KVx ¹³⁹⁴ , SC					DVD-RAM/RW (12.7)
R51 (CPU, 725 (Dot 1.6); memory, 512 MB; video chip, M9-32; LCD, 15.0-in. XGA)					
1829-PKx, 1830-PUx, 1831-PUx ¹³⁹⁴ , SC	DVD/CD-RW combo (12.7)	802.11 b/g (Intel)	Gigabit	MDC2	40 GB, 4,200 rpm
1829-PLx ¹³⁹⁴ , SC		802.11 a/b/g (IBM)			
1829-PGx ¹³⁹⁴ , SC		802.11 b/g (Intel)			60 GB, 4,200 rpm

(continued)

Parts list

Model	Bay device	Mini PCI adapter	Ethernet	CDC	HDD
R51 (CPU, 725 (Dot 1.6); memory, 256 MB; video chip, M9-32; LCD, 15.0-in. SXGA+/IPS)					
1829-98x, 1836-H9x ¹³⁹⁴ , BT, SC	DVD/ CD-RW combo (12.7)	802.11 b/g (Intel)	Gigabit	MDC2	60 GB, 4,200 rpm
1836-HAx ¹³⁹⁴ , BT, SC	DVD- RAM/ RW (12.7)	802.11 a/b/g (IBM)		BMDC 2	80 GB, 4,200 rpm
R51 (CPU, 725 (Dot 1.6); memory, 512 MB; video chip, M9-32; LCD, 15.0-in. SXGA+/IPS)					
1829-L6x ¹³⁹⁴ , BT, SC	DVD- RAM/ RW (12.7)	802.11 b/g (Intel)	Gigabit	BMDC 2	40 GB, 4,200 rpm
1829-L4x, 1830-9Qx, 1831-9Qx ¹³⁹⁴ , BT, SC	DVD/ CD-RW combo (12.7)				60 GB, 4,200 rpm
1829-L5x, L7x ¹³⁹⁴ , BT, SC	DVD- RAM/ RW (12.7)				
R51 (CPU, 735 (Dot 1.7); memory, 256 MB; video chip, M7-32; LCD, 14.1-in. XGA)					
1829-8Hx ¹³⁹⁴ , SC	—	—	Gigabit	MDC2	40 GB, 4,200 rpm
1829-85x ¹³⁹⁴ , SC	DVD- ROM (12.7)	802.11 b/g (Intel)			
1829-86x, 1830-8Mx, 8Wx, 1831-8Mx ¹³⁹⁴ , SC	DVD/ CD-RW combo (12.7)				
1830-8Qx ¹³⁹⁴ , 9C, SC					
R51 (CPU, 735 (Dot 1.7); memory, 512 MB; video chip, M7-32; LCD, 14.1-in. XGA)					
1830-8Tx ¹³⁹⁴ , SC	DVD/ CD-RW combo (12.7)	802.11 b/g (Intel)	Gigabit	MDC2	40 GB, 4,200 rpm

(continued)

Model	Bay device	Mini PCI adapter	Ethernet	CDC	HDD
R51 (CPU, 735 (Dot 1.7); memory, 256 MB; video chip, M7-32; LCD, 15.0-in. XGA)					
1829-KXx, PAx ¹³⁹⁴ , SC	—	—	Gigabit	MDC2	40 GB, 4,200 rpm
1829-KWx ¹³⁹⁴ , SC	DVD-ROM (12.7)	802.11 b/g (Intel)			
1829-P7x, P9x, PBx, 1830-PVx, 1831-PVx ¹³⁹⁴ , SC	DVD/CD-RW combo (12.7)				
R51 (CPU, 735 (Dot 1.7); memory, 512 MB; video chip, M7-32; LCD, 15.0-in. XGA)					
1830-F4x ¹³⁹⁴ , SC	DVD/CD-RW combo (12.7)	802.11 b/g (Intel)	Gigabit	MDC2	40 GB, 4,200 rpm
R51 (CPU, 735 (Dot 1.7); memory, 512 MB; video chip, M7-32; LCD, 15.0-in. SXGA+/IPS)					
1829-L8x ¹³⁹⁴ , SC	DVD/CD-RW combo (12.7)	802.11 b/g (Intel)	Gigabit	MDC2	40 GB, 4,200 rpm
1829-92x, 1830-9Rx ¹³⁹⁴ , 9C, BT, SC					
1829-96x ¹³⁹⁴ , BT, SC				BMDC 2	60 GB, 4,200 rpm
R51 (CPU, 735 (Dot 1.7); memory, 256 MB; video chip, M9-32; LCD, 15.0-in. XGA)					
1830-H5x ¹³⁹⁴ , SC	DVD/CD-RW combo (12.7)	802.11 a/b/g (IBM)	Gigabit	MDC2	40 GB, 4,200 rpm
1829-KZx, PHx ¹³⁹⁴ , SC		802.11 b/g (Intel)			60 GB, 4,200 rpm

(continued)

Parts list

Model	Bay device	Mini PCI adapter	Ethernet	CDC	HDD
R51 (CPU, 735 (Dot 1.7); memory, 512 MB; video chip, M9-32; LCD, 15.0-in. XGA)					
1829-KYx, 1830-H4x ¹³⁹⁴ , SC	DVD/ CD-RW combo (12.7)	802.11 b/g (Intel)	Gigabit	MDC2	40 GB, 4,200 rpm
1829-PMx ¹³⁹⁴ , SC	—	—			40 GB, 5,400 rpm
1829-PNx ¹³⁹⁴ , SC	DVD/ CD-RW combo (12.7)	802.11 b/g (Intel)			
1829-PPx ¹³⁹⁴ , SC		802.11 a/b/g (IBM)			
R51 (CPU, 735 (Dot 1.7); memory, 512 MB; video chip, M9-32; LCD, 15.0-in. SXGA+/IPS)					
1830-9Tx ¹³⁹⁴ , 9C, BT, SC	DVD/ CD-RW combo (12.7)	802.11 b/g (Intel)	Gigabit	MDC2	40 GB, 4,200 rpm
1829-99x, 1830-H6x ¹³⁹⁴ , 9C, BT, SC					60 GB, 4,200 rpm
1829-9Ax, LCx ¹³⁹⁴ , 9C, BT, SC	DVD- RAM/ RW (12.7)	802.11 a/b/g (IBM)			
1829-LFx ¹³⁹⁴ , 9C, BT, SC					
1829-LAx ¹³⁹⁴ , BT, SC	DVD/ CD-RW combo (12.7)	802.11 b/g (Intel)	BMDC 2		
1829-LDx ¹³⁹⁴ , 9C, BT, SC	DVD- RAM/ RW (12.7)	802.11 a/b/g (IBM)			
1829-L9x ¹³⁹⁴ , BT, SC	DVD/ CD-RW combo (12.7)	802.11 b/g (Intel)			
1829-9Mx ¹³⁹⁴ , BT, SC	DVD- RAM/ RW (12.7)				
1829-LEx ¹³⁹⁴ , 9C, BT, SC	DVD- RAM/ RW (12.7)	802.11 a/b/g (IBM)			
		802.11 a/b/g (IBM)			

(continued)

Model	Bay device	Mini PCI adapter	Ethernet	CDC	HDD
R51 (CPU, 735 (Dot 1.7); memory, 512 MB; video chip, M9-32; LCD, 15.0-in. SXGA+/IPS)					
1829-LBx ¹³⁹⁴ , BT, SC	DVD/ CD-RW combo (12.7)	802.11 b/g (Intel)	Gigabit	MDC2	80 GB, 4,200 rpm
1829-LGx ¹³⁹⁴ , BT, SC	DVD- RAM/ RW (12.7)			BMDC 2	
1829-LHx ¹³⁹⁴ , BT, SC		802.11 a/b/g (IBM)		MDC2	
R51 (CPU, 745 (Dot 1.8); memory, 256 MB; video chip, M7-32; LCD, 14.1-in. XGA)					
1829-87x ¹³⁹⁴ , SC	DVD- ROM (12.7)	802.11 b/g (Intel)	Gigabit	MDC2	40 GB, 4,200 rpm
1829-88x, 8Ax ¹³⁹⁴ , SC	DVD/ CD-RW combo (12.7)				
R51 (CPU, 745 (Dot 1.8); memory, 512 MB; video chip, M7-32; LCD, 14.1-in. XGA)					
1829-89x ¹³⁹⁴ , SC	DVD/ CD-RW combo (12.7)	802.11 b/g (Intel)	Gigabit	MDC2	60 GB, 4,200 rpm
R51 (CPU, 745 (Dot 1.8); memory, 256 MB; video chip, M7-32; LCD, 15.0-in. XGA)					
1829-PDx, 1830-F6x, 1831-FAx ¹³⁹⁴ , SC	DVD/ CD-RW combo (12.7)	802.11 b/g (Intel)	Gigabit	MDC2	40 GB, 4,200 rpm
1829-P8x ¹³⁹⁴ , 9C, SC					
R51 (CPU, 745 (Dot 1.8); memory, 512 MB; video chip, M7-32; LCD, 15.0-in. XGA)					
1829-P6x ¹³⁹⁴ , SC	DVD/ CD-RW combo (12.7)	802.11 b/g (Intel)	Gigabit	MDC2	40 GB, 4,200 rpm
1829-PCx ¹³⁹⁴ , SC					60 GB, 4,200 rpm
R51 (CPU, 745 (Dot 1.8); memory, 512 MB; video chip, M7-32; LCD, 15.0-in. SXGA+/IPS)					
1829-93x ¹³⁹⁴ , 9C, BT, SC	DVD/ CD-RW combo (12.7)	802.11 b/g (Intel)	Gigabit	MDC2	60 GB, 4,200 rpm

(continued)

Parts list

Model	Bay device	Mini PCI adapter	Ethernet	CDC	HDD	
R51 (CPU, 745 (Dot 1.8); memory, 256 MB; video chip, M9-32; LCD, 15.0-in. XGA)						
1830-F8x, 1831-FCx ¹³⁹⁴ , SC	DVD/ CD-RW combo (12.7)	802.11 b/g (Intel)	Gigabit	MDC2	40 GB, 4,200 rpm	
R51 (CPU, 745 (Dot 1.8); memory, 512 MB; video chip, M9-32; LCD, 15.0-in. XGA)						
1829-PQx ¹³⁹⁴ , SC	—	—	Gigabit	MDC2	60 GB, 4,200 rpm	
1829-PJx, PRx ¹³⁹⁴ , SC	DVD/ CD-RW combo (12.7)	802.11 b/g (Intel)				
1829-PSx ¹³⁹⁴ , SC		802.11 a/b/g (IBM)				
R51 (CPU, 745 (Dot 1.8); memory, 512 MB; video chip, M9-32; LCD, 15.0-in. SXGA+/IPS)						
1829-97x ¹³⁹⁴ , BT, SC	DVD- RAM/ RW (12.7)	802.11 a/b/g (IBM)	Gigabit	MDC2	60 GB, 4,200 rpm	
1829-9Hx, 1830-9Sx ¹³⁹⁴ , 9C, BT, SC						
1829-9Gx ¹³⁹⁴ , 9C, BT, SC	DVD/ CD-RW combo (12.7)	802.11 b/g (Intel)		BMDC 2		
1829-9Fx ¹³⁹⁴ , BT, SC						
1829-9Nx ¹³⁹⁴ , BT, SC	DVD- RAM/ RW (12.7)					
1829-9Bx ¹³⁹⁴ , BT, SC	DVD/ CD-RW combo (12.7)				MDC2	80 GB, 4,200 rpm
1829-9Cx ¹³⁹⁴ , 9C, BT, SC	DVD- RAM/ RW (12.7)					
R51 (CPU, 745 (Dot 1.8); memory, 1 GB; video chip, M9-32; LCD, 15.0-in. SXGA+/IPS)						
1829-9Px ¹³⁹⁴ , BT, SC	DVD- RAM/ RW (12.7)	802.11 b/g (Intel)	Gigabit	BMDC 2	60 GB, 4,200 rpm	

(continued)

Model	Bay device	Mini PCI adapter	Ethernet	CDC	HDD
R51 (CPU, 745 (Dot 1.8); memory, 1 GB; video chip, M9-32; LCD, 15.0-in. SXGA+/IPS)					
1829-9Px ¹³⁹⁴ , BT, SC	DVD-RAM/ RW (12.7)	802.11 b/g (Intel)	Gigabit	BMDC 2	60 GB, 4,200 rpm
R51 (CPU, 755 (Dot 2.0); memory, 512 MB; video chip, M9-32; LCD, 15.0-in. SXGA+/IPS)					
1830-9Ux, 1831-9Wx ¹³⁹⁴ , BT, SC	DVD-RAM/ RW (12.7)	802.11 a/b/g (IBM)	Gigabit	BMDC 2	60 GB, 4,200 rpm
1829-9Dx, 9Kx ¹³⁹⁴ , BT, SC				MDC2	80 GB, 4,200 rpm
1829-9Ex ¹³⁹⁴ , 9C, BT, SC					
1829-9Lx ¹³⁹⁴ , BT, SC					
1829-9Jx ¹³⁹⁴ , 9C, BT, SC					
R51 (CPU, 755 (Dot 2.0); memory, 1 GB; video chip, M9-32; LCD, 15.0-in. SXGA+/IPS)					
1830-9Vx, 1831-9Xx ¹³⁹⁴ , 9C, BT, SC	DVD-RAM/ RW (12.7)	802.11 a/b/g (IBM)	Gigabit	BMDC 2	80 GB, 4,200 rpm
Cel xxx G: Mobile Intel® Celeron® processor xxx GHz Ban xxx G: Intel® Pentium® M processor xxx GHz nnn (Cel xxx): Mobile Intel® Celeron® processor nnn (xxx GHz) nnn (Dot xxx): Intel® Pentium® M processor nnn (xxx GHz) 1394: models featuring IEEE1394 BT: models featuring <i>Bluetooth</i> wireless antenna SC: models featuring security chip 9C: models featuring 9-cell battery					

US TopSeller models

Model	Bay device	Mini PCI adapter	Ethernet	CDC	HDD
R50 (CPU, Ban 1.4G; memory, —; video chip, M7-32; LCD, 14.1-in. XGA)					
1836-2Vx ^{SC}	—	—	10/100	MDC	—
1836-2Wx ^{SC}			Gigabit		
R50 (CPU, Ban 1.4G; memory, —; video chip, M7-32; LCD, 15.0-in. XGA)					
1836-3Vx ^{SC}	—	—	10/100	MDC	—
1836-3Wx ^{1394, SC}			Gigabit		
R50 (CPU, Ban 1.4G; memory, 256 MB; video chip, M7-32; LCD, 14.1-in. XGA)					
1836-2Nx ^{SC}	DVD-ROM (12.7)	802.11b (Intel)	10/100	MDC	40 GB, 4,200 rpm
1836-2Px ^{1394, SC}	DVD/CD-RW combo (12.7)	—	Gigabit		
1836-2Qx ^{1394, SC}		802.11b (Intel)			
1836-2Rx ^{1394, SC, 9C}		802.11 a/b/g (IBM)			
R50 (CPU, Ban 1.4G; memory, 256 MB; video chip, M7-32; LCD, 15.0-in. XGA)					
1836-3Nx ^{SC}	DVD-ROM (12.7)	—	10/100	MDC	40 GB, 4,200 rpm
1836-3Px ^{SC}		802.11b (Intel)			
R50 (CPU, Ban 1.5G; memory, —; video chip, M7-32; LCD, 14.1-in. XGA)					
1836-2Xx ^{1394, SC}	—	—	Gigabit	MDC	—
R50 (CPU, Ban 1.5G; memory, —; video chip, M7-32; LCD, 15.0-in. XGA)					
1836-3Xx ^{SC}	—	—	10/100	MDC	—
1836-3Yx ^{1394, SC}			Gigabit		

(continued)

Model	Bay device	Mini PCI adapter	Ethernet	CDC	HDD
R50 (CPU, Ban 1.5G; memory, 256 MB; video chip, M7-32; LCD, 14.1-in. XGA)					
1836-2Sx ¹³⁹⁴ , SC	DVD/ CD-RW combo (12.7)	—	Gigabit	MDC	40 GB, 4,200 rpm
1836-2Tx ¹³⁹⁴ , SC		802.11b (Intel)			
1836-2Ux ¹³⁹⁴ , SC, 9C		802.11 a/b/g (IBM)			60 GB, 4,200 rpm
R50 (CPU, Ban 1.5G; memory, 256 MB; video chip, M7-32; LCD, 15.0-in. XGA)					
1836-3Qx ^{SC}	DVD- ROM (12.7)	—	10/100	MDC	40 GB, 4,200 rpm
1836-3Rx ^{SC}		802.11b (Intel)			
R50 (CPU, Ban 1.6G; memory, —; video chip, M9-32; LCD, 15.0-in. SXGA+/IPS)					
1836-3Mx ¹³⁹⁴ , BT, SC	—	—	Gigabit	MDC	—
1836-3Lx ¹³⁹⁴ , BT, SC				BMDC	
R50 (CPU, Ban 1.6G; memory, 256 MB; video chip, M9-32; LCD, 15.0-in. SXGA+/IPS)					
1836-3Tx ¹³⁹⁴ , BT, SC	DVD/ CD-RW combo (12.7)	—	Gigabit	MDC	40 GB, 4,200 rpm
1836-3Ux ¹³⁹⁴ , BT, SC		802.11b (Intel)			
1836-3Sx ¹³⁹⁴ , BT, SC, 9C		802.11 a/b/g (IBM)		BMDC	60 GB, 4,200 rpm
Ban xxx G: Intel® Pentium® M processor xxx GHz 1394: models featuring IEEE1394 BT: models featuring <i>Bluetooth</i> wireless antenna SC: models featuring security chip 9C: models featuring 9-cell battery					

Odyssey/Open bay models

Model	CPU	Video chip	Ethernet	CDC	LCD	
R50						
1829-28x ¹³⁹⁴ , SC	Ban 1.5G	M7-32	Gigabit	MDC	14.1-in. XGA	
1829-29x ¹³⁹⁴ , SC	Ban 1.6G					
1829-2Ax ¹³⁹⁴ , SC	Ban 1.7G					
1829-33x ^{SC} , TC	Ban 1.4G		10/100			15.0-in. XGA
1829-35x ^{SC} , TC	Ban 1.5G					
1829-36x ¹³⁹⁴ , SC			Gigabit			
1829-37x ¹³⁹⁴ , SC	Ban 1.6G					
1829-3Gx ¹³⁹⁴ , BT, SC	Ban 1.7G		10/100			
1829-3Ax ^{BT} , SC, TC	Ban 1.4G		M9-32		Gigabit	15.0-in. SXGA+ /IPS
1829-3Cx ¹³⁹⁴ , BT, SC						
1829-3Dx ¹³⁹⁴ , BT, SC, TC						
1829-38x ¹³⁹⁴ , BT, SC		BMDC				
1829-3Bx ^{BT} , SC, TC	Ban 1.5G	M7-32	10/100	MDC		
1829-3Ex ¹³⁹⁴ , BT, SC, TC		M9-32	Gigabit			
1829-3Fx ¹³⁹⁴ , BT, SC	Ban 1.6G					
1829-39x ¹³⁹⁴ , BT, SC						BMDC
1829-3Jx ¹³⁹⁴ , BT, SC						MDC
1829-3Hx ¹³⁹⁴ , BT, SC	BMDC					

(continued)

Model	CPU	Video chip	Ethernet	CDC	LCD	
R51						
2887-22x ^{SC}	Cel 1.3G	Intel 855GME	10/100	MDC2	14.1-in. XGA	
2887-2Dx ^{SC}	Ban 1.4G					
2887-23x ^{SC}	Ban 1.5G					
2887-24x ^{SC}	Ban 1.6G					
2887-25x ^{SC}	Ban 1.7G					
2887-2Cx ^{1394,} ^{SC}	Ban 1.5G		Gigabit			
2887-27x ^{SC}	Cel 1.3G		10/100		15.0-in. XGA	
2887-2Ex ^{SC}	Ban 1.4G					
2887-28x ^{SC}	Ban 1.5G					
2887-29x ^{SC}	Ban 1.6G					
2887-2Ax ^{SC}	Ban 1.7G					
2887-2Fx ^{1394,} ^{SC}	Ban 1.5G		Gigabit			
2887-8Bx ^{SC}	330 (Cel 1.4)		10/100			14.1-in. XGA
2887-9Mx ^{1394,} ^{SC}	715 (Dot 1.5)		Gigabit			
2887-AHx ^{SC}	330 (Cel 1.4)		10/100			15.0-in. XGA
2887-E2x ^{SC}	340 (Cel 1.5)					14.1-in. XGA
2887-G3x ^{SC}		15.0-in. XGA				
2887-BPx ^{1394,} ^{SC}	715 (Dot 1.5)	Gigabit	15.0-in. XGA			
2887-F2x ^{1394,} ^{SC}	725 (Dot 1.6)		14.1-in. XGA			
2887-H5x ^{1394,} ^{SC}			15.0-in. XGA			

(continued)

Parts list

Model	CPU	Video chip	Ethernet	CDC	LCD
R51					
1829-A2x ¹³⁹⁴ , SC	Ban 1.5G	M9-32	Gigabit	MDC2	14.1-in. XGA
1829-B2x ¹³⁹⁴ , SC					15.0-in. XGA
1829-B3x ¹³⁹⁴ , SC	Ban 1.7G	M7-32			BMDC 2
1829-B4x ¹³⁹⁴ , BT, SC					
1829-B5x ¹³⁹⁴ , BT, SC	Ban 1.5G	M9-32			
1829-B6x ¹³⁹⁴ , BT, SC	Ban 1.6G				
1829-B7x ¹³⁹⁴ , BT, SC	Ban 1.7G				
<p>Cel xxx G: Mobile Intel® Celeron® processor xxx GHz Ban xxx G: Intel® Pentium® M processor xxx GHz nnn (Cel xxx): Mobile Intel® Celeron® processor nnn (xxx GHz) nnn (Dot xxx): Intel® Pentium® M processor nnn (xxx GHz) 1394: models featuring IEEE1394 BT: models featuring <i>Bluetooth</i> wireless antenna SC: models featuring security chip TC: models shipped with travel cover</p>					

Express models

Model	Bay device	Mini PCI adapter	Ethernet	CDC	HDD
R51 (CPU, Cel 1.3G; memory, 256 MB; video chip, Intel 855GME; LCD, 15.0-in. XGA)					
2883-2Zx ^{SC}	DVD/ CD-RW combo (12.7)	—	10/100	MDC2	30 GB, 4,200 rpm
R51 (CPU, 340 (Cel 1.5); memory, 256 MB; video chip, Intel 855GME; LCD, 15.0-in. XGA)					
2883-GHx ^{SC}	DVD/ CD-RW combo (12.7)	802.11 b/g (Intel)	10/100	MDC2	30 GB, 4,200 rpm
R51 (CPU, 350 (1.3); memory, 256 MB; video chip, Intel 855GME; LCD, 15.0-in. XGA)					
2883-GJx ^{SC}	DVD/ CD-RW combo (12.7)	802.11 b/g (Intel)	10/100	MDC2	30 GB, 4,200 rpm
R51 (CPU, Ban 1.5G; memory, 256 MB; video chip, Intel 855GME; LCD, 14.1-in. XGA)					
2883-2Xx ^{SC}	DVD/ CD-RW combo (12.7)	802.11 b/g (Intel)	10/100	MDC2	20 GB, 4,200 rpm
2883-2Nx ^{SC}					30 GB, 4,200 rpm
R51 (CPU, Ban 1.5G; memory, 256 MB; video chip, Intel 855GME; LCD, 15.0-in. XGA)					
2883-2Yx ^{SC}	DVD/ CD-RW combo (12.7)	802.11 b/g (Intel)	10/100	MDC2	20 GB, 4,200 rpm
2883-2Qx ^{SC}					30 GB, 4,200 rpm

(continued)

Parts list

Model	Bay device	Mini PCI adapter	Ethernet	CDC	HDD
R51 (CPU, Ban 1.5G; memory, 256 MB; video chip, M9-32; LCD, 14.1-in. XGA)					
1836-A4x ¹³⁹⁴ , SC	DVD/CD-RW combo (12.7)	802.11 b/g (Intel)	Gigabit	MDC2	40 GB, 4,200 rpm
1836-A5x ¹³⁹⁴ , SC	DVD-RAM/RW (12.7)	802.11 a/b/g (IBM)			60 GB, 4,200 rpm
R51 (CPU, Ban 1.5G; memory, 256 MB; video chip, M9-32; LCD, 15.0-in. XGA)					
1836-BAx ¹³⁹⁴ , SC	DVD/CD-RW combo (12.7)	802.11 b/g (Intel)	Gigabit	MDC2	40 GB, 4,200 rpm
R51 (CPU, Ban 1.6G; memory, 256 MB; video chip, M9-32; LCD, 15.0-in. SXGA+/IPS)					
1836-BBx ¹³⁹⁴ , BT, SC	DVD/CD-RW combo (12.7)	802.11 b/g (Intel)	Gigabit	MDC2	40 GB, 4,200 rpm
1836-BCx ¹³⁹⁴ , BT, SC	DVD-RAM/RW (12.7)	802.11 a/b/g (IBM)		BMDC 2	80 GB, 4,200 rpm
R51 (CPU, 715 (Dot 1.5); memory, 256 MB; video chip, Intel 855GME; LCD, 14.1-in. XGA)					
2883-8Qx ^{SC}	DVD/CD-RW combo (12.7)	802.11 b/g (Intel)	10/100	MDC2	30 GB, 4,200 rpm
R51 (CPU, 715 (Dot 1.5); memory, 256 MB; video chip, Intel 855GME; LCD, 15.0-in. XGA)					
2883-ARx ^{SC}	DVD/CD-RW combo (12.7)	802.11 b/g (Intel)	10/100	MDC2	30 GB, 4,200 rpm
R51 (CPU, 725 (Dot 1.6); memory, 256 MB; video chip, Intel 855GME; LCD, 14.1-in. XGA)					
2883-ELx ^{SC}	DVD/CD-RW combo (12.7)	802.11 b/g (Intel)	10/100	MDC2	30 GB, 4,200 rpm

(continued)

Model	Bay device	Mini PCI adapter	Ethernet	CDC	HDD
R51 (CPU, 725 (Dot 1.6); memory, 256 MB; video chip, Intel 855GME; LCD, 15.0-in. XGA)					
2883-GKx ^{SC}	DVD/CD-RW combo (12.7)	802.11 b/g (Intel)	10/100	MDC2	30 GB, 4,200 rpm
R51 (CPU, 725 (Dot 1.6); memory, 256 MB; video chip, M7-32; LCD, 14.1-in. XGA)					
1836-Q2x ^{SC}	DVD/CD-RW combo (12.7)	802.11 b/g (Intel)	10/100	MDC2	40 GB, 4,200 rpm
1836-Q3x ^{1394, SC}	DVD-RAM/RW (12.7)	802.11 a/b/g (IBM)	Gigabit	MDC2	60 GB, 4,200 rpm
R51 (CPU, 725 (Dot 1.6); memory, 256 MB; video chip, M7-32; LCD, 15.0-in. XGA)					
1836-Q4x ^{SC}	DVD/CD-RW combo (12.7)	802.11 b/g (Intel)	10/100	MDC2	40 GB, 4,200 rpm
R51 (CPU, 725 (Dot 1.6); memory, 256 MB; video chip, M7-32; LCD, 15.0-in. SXGA+/IPS)					
1836-Q5x ^{1394, BT, SC}	DVD/CD-RW combo (12.7)	802.11 b/g (Intel)	Gigabit	MDC2	40 GB, 4,200 rpm
R51 (CPU, 735 (Dot 1.7); memory, 256 MB; video chip, M9-32; LCD, 15.0-in. SXGA+/IPS)					
1836-Q6x ^{1394, BT, SC}	DVD/CD-RW combo (12.7)	802.11 b/g (Intel)	Gigabit	MDC2	60 GB, 4,200 rpm
R51 (CPU, 735 (Dot 1.7); memory, 512 MB; video chip, M9-32; LCD, 15.0-in. SXGA+/IPS)					
1836-Q7x ^{1394, BT, SC}	DVD-RAM/RW (12.7)	802.11 a/b/g (IBM)	Gigabit	BMDC 2	80 GB, 4,200 rpm
<p>Cel xxx G: Mobile Intel® Celeron® processor xxx GHz Ban xxx G: Intel® Pentium® M processor xxx GHz nnn (Cel xxx): Mobile Intel® Celeron® processor nnn (xxx GHz) nnn (Dot xxx): Intel® Pentium® M processor nnn (xxx GHz) 1394: models featuring IEEE1394 BT: models featuring <i>Bluetooth</i> wireless antenna SC: models featuring security chip TC: models shipped with travel cover</p>					

Express open bay models

Model	CPU	Video chip	Ethernet	CDC	LCD
R51					
2883-2Sx ^{SC}	Cel 1.3G	Intel 855GME	10/100	MDC2	14.1-in. XGA
2883-EMx ^{SC}	340 (Cel 1.5)				
2883-ENx ^{SC}	350 (1.3)				
2883-2Tx ^{SC}	Ban 1.5G				
2883-2Ux ^{SC}	Cel 1.3G				15.0-in. XGA
2883-GLx ^{SC}	340 (Cel 1.5)				
2883-GMx ^{SC}	350 (1.3)				
2883-2Vx ^{SC}	Ban 1.5G				
2883-8Gx ^{SC}	715 (Dot 1.5)				14.1-in. XGA
2883-8Ex, EPx ^{SC}	725 (Dot 1.6)				
2883-8Fx, EQx ^{SC}	735 (Dot 1.7)				
2883-AMx ^{SC}	715 (Dot 1.5)				
2883-AKx, GNx ^{SC}	725 (Dot 1.6)				15.0-in. XGA
2883-ALx, GPx ^{SC}	735 (Dot 1.7)				

(continued)

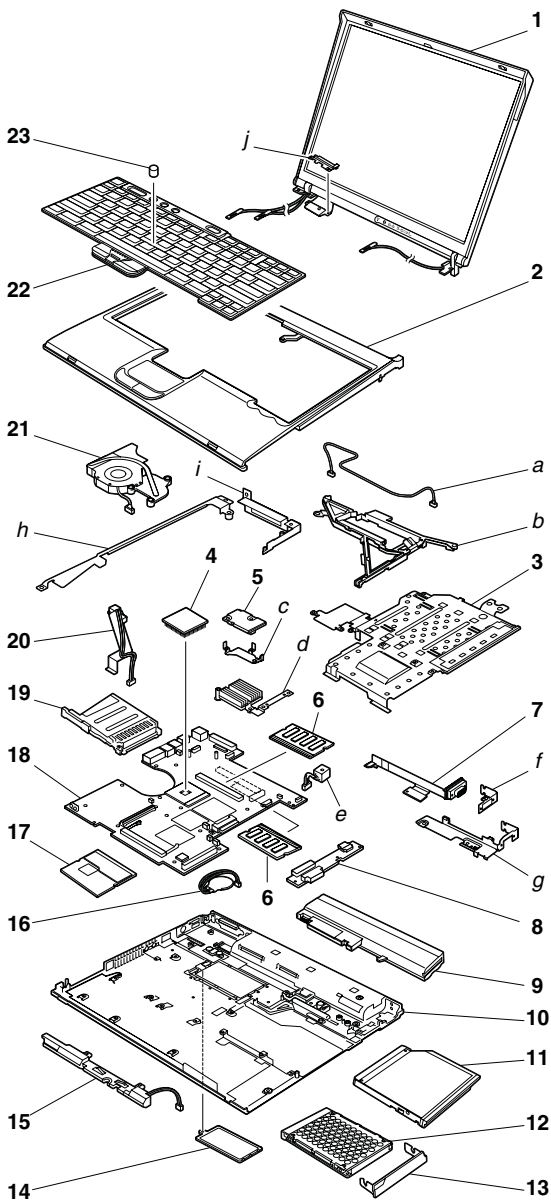
Model	CPU	Video chip	Ethernet	CDC	LCD
R51					
1836-A3x ¹³⁹⁴ , SC	Ban 1.5G	M9-32	Gigabit	MDC2	14.1-in. XGA
1836-B8x ¹³⁹⁴ , SC					15.0-in. XGA
1836-B9x ¹³⁹⁴ , BT, SC				BMDC 2	15.0-in. SXGA+ /IPS
1836-GEx ^{SC}	715 (Dot 1.5)	M7-32	10/100	MDC2	14.1-in. XGA
1836-GFx, Q8x ¹³⁹⁴ , SC	725 (Dot 1.6)	M9-32	Gigabit		
1836-GGx, Q9x ¹³⁹⁴ , SC	735 (Dot 1.7)				
1836-QAx ¹³⁹⁴ , SC	745 (Dot 1.8)				
1836-QBx ¹³⁹⁴ , SC	755 (Dot 2.0)				
1836-HBx ^{SC}	715 (Dot 1.5)				
1836-HCx, QCx ¹³⁹⁴ , SC	725 (Dot 1.6)	M9-32	Gigabit		
1836-HDx, QDx ¹³⁹⁴ , SC	735 (Dot 1.6)				
1836-QEx ¹³⁹⁴ , SC	745 (Dot 1.8)				
1836-QFx ¹³⁹⁴ , SC	755 (Dot 2.0)				
1836-HEx ¹³⁹⁴ , SC	715 (Dot 1.5)			15.0-in. SXGA+ /IPS	
1836-HFx ¹³⁹⁴ , SC	725 (Dot 1.6)				
1836-QGx ¹³⁹⁴ , BT, SC					

(continued)

Model	CPU	Video chip	Ethernet	CDC	LCD
R51					
1836-HGx 1394, SC	735 (Dot 1.7)	M9-32	Gigabit	MDC2	15.0-in. SXGA+ /IPS
1836-QHx 1394, BT, SC					
1836-QJx ¹³⁹⁴ , BT, SC				BMDC 2	
1836-QKx ¹³⁹⁴ , BT, SC	745 (Dot 1.8)				
1836-QLx ¹³⁹⁴ , BT, SC	755 (Dot 2.0)				
Ban xxx G: Intel® Pentium® M processor xxx GHz nnn (Dot xxx): Intel® Pentium® M processor nnn (xxx GHz) 1394: models featuring IEEE1394 BT: models featuring <i>Bluetooth</i> wireless antenna SC: models featuring security chip					

- Each FRU is available for all types or models, unless specific types or models are specified.
- A CRU (customer replaceable unit) is identified by a single asterisk (*) or two asterisks (**) in the CRU ID column. An N in the CRU ID column means the part is not a CRU. A single asterisk (*) means the part is a Tier 1 CRU; two asterisks (**) means the part is a Tier 2 CRU.
- FRUs marked with **OP** are available as options.

Overall



Parts list

No.	FRU	P/N	CRU ID
a-j	See "Miscellaneous parts" on page 265.		
1	LCD unit (see "LCD FRUs" on page 236).		N
2	Keyboard bezel assembly for models with 14.1-in. LCD (WW) <ul style="list-style-type: none"> • 1829-28x, 29x, 43x, 44x, 4Ax, 4Hx, 52x, 53x, 54x, 55x, 56x, 57x, 58x, 59x, 5Bx, 5Gx, 5Hx, 5Jx, 5Lx, 5Mx • 1829-A2x, Cxx except C4U, CTO • 1829-Jxx • 1829-8xx • 1830-46x, 47x, 48x, 4Fx, 56x, 5Ax, 5Cx, 5Dx, 5Fx • 1830-Axx, CTO • 1830-Gxx • 1830-8xx • 1831-48x, 56x, 5Ax, 5Cx • 1831-Axx, CTO • 1831-8xx • 1836-2Nx, 2Px, 2Qx, 2Rx, 2Sx, 2Tx, 2Ux • 1836-Axx, CTO • 1836-Gxx • 1836-Q2x, Q3x, Q8x, Q9x, QAx, QBx • 2883-2Mx, 2Nx, 2Sx, 2Tx • 2883-8Gx, 8Ex, 8Fx • 2883-Exx • 2887-22x, 23x, 24x, 25x, 26x, 2Kx, 2Rx, 42x, 43x, 44x, 45x, 46x, 49x, 52x, 53x, 54x, 55x, 56x, 57x, 58x, 59x, 5Ax, 5Bx, 5Cx, 5Dx, 5Ex, 5Fx, 5Gx, 5Hx, 5Jx, 5Kx, 5Lx, 5Mx, 5Nx • 2887-83x, 84x, 85x, 86x, 87x, 89x, 8Ax, 8Bx, 8Mx, 8Nx, 8Px, 8Qx, 92x, 93x, 94x, 95x, 96x, 97x, 98x, 99x, 9Ax, 9Bx, 9Cx, 9Dx, 9Ex, 9Fx, 9Gx, 9Hx, 9Jx, 9Kx, 9Lx, 9Mx, 9Ux, 9Vx • 2887-Exx, Fxx • 2888-47x, 4Ax, 5Px, 5Qx, 5Rx • 2888-8Hx, 8Rx, 9Nx, 9Px, 9Qx, 9Rx, 9Sx, 9Tx • 2888-Exx, Fxx • 2889-48x • 2889-8Kx, 8Sx • 2889-Exx, Fxx • 2894-48x • 2895-48x 	91P8745	N

(continued)

No.	FRU	P/N	CRU ID
2	Keyboard bezel assembly for models with 15.0-in. LCD (WW) <ul style="list-style-type: none"> • 1829-33x, 35x, 36x, 37x, 38x, 39x, 3Ax, 3Bx, 3Cx, 3Dx, 3Ex, 3Fx, 63x, 68x, 6Ax, 6Bx, 6Dx, 72x, 73x, 74x, 75x, 76x, 77x, 78x, 79x, 7Ax, 7Dx, 7Ex, 7Fx, 7Hx, 7Jx, 7Kx, 7Lx, 7Mx, 7Px • 1829-6xx, 7xx, B2x, C4U, Dxx, Exx, CTO • 1829-Kxx, Lxx • 1829-9xx, Pxx • 1830-67x, 6Bx, 6Fx, 6Hx, 7Bx, 7Cx, 7Dx, 7Gx, 7Nx • 1830-Bxx, CTO • 1830-Hxx • 1830-9xx, Fxx, Pxx • 1831-6Fx, 7Cx • 1831-Bxx, CTO • 1831-Hxx • 1831-9xx, Fxx, PUx, PVx • 1832-22x, 23x, 24x, 25x, 28x • 1833-22x, 23x, 24x, 25x, 28x • 1836-3Nx, 3Px, 3Qx, 3Rx, 3Sx, 3Tx, 3Ux • 1836-Bxx, CTO • 1836-Hxx • 1836-Q4x, Q5x, Q6x, Q7x, QCx, QDx, QEx, QFx, QGx, QHx, QJx, QKx, QLx • 1840-6Ex • 1841-6Ex • 2883-2Px, 2Qx, 2Ux, 2Vx • 2883-AKx, ALx, AMx, ARx • 2883-Gxx • 2887-27x, 28x, 29x, 2Ax, 2Bx, 2Lx, 62x, 63x, 64x, 65x, 67x, 72x, 73x, 74x, 75x, 76x, 77x, 78x, 79x, 7Ax, 7Bx, 7Cx, 7Dx, 7Ex, 7Fx, 7Gx, 7Hx • 2887-A2x, A3x, A4x, A5x, A6x, A8x, A9x, AAx, ABx, ACx, ADx, AEx, AFx, AGx, AHx, AQx, B2x, B3x, B4x, B5x, B6x, B7x, B8x, B9x, BAx, BBx, BCx, BDx, BEx, BFx, BGx, BHx, BJx, BKx, BLx, BMx, BNx, BPx • 2887-Gxx, Hxx, Mxx • 2888-68x, 69x, 7Jx • 2888-ASx, BQx • 2888-Gxx, Hxx, Mxx • 2889-ATx • 2889-Hxx, Mxx 	91P8749	N

(continued)

Parts list

No.	FRU	P/N	CRU ID
3	Ultrabay Enhanced shield kit for 14.1-in. • 1829-28x, 29x, 43x, 44x, 4Ax, 4Hx, 52x, 53x, 54x, 55x, 56x, 57x, 58x, 59x, 5Bx, 5Gx, 5Hx, 5Jx, 5Lx, 5Mx • 1829-A2x, Cxx except C4U, CTO • 1829-Jxx • 1829-8xx • 1830-46x, 47x, 48x, 4Fx, 56x, 5Ax, 5Cx, 5Dx, 5Fx • 1830-Axx, CTO • 1830-Gxx • 1830-8xx • 1831-48x, 56x, 5Ax, 5Cx • 1831-Axx, CTO • 1831-8xx • 1836-2Nx, 2Px, 2Qx, 2Rx, 2Sx, 2Tx, 2Ux • 1836-Axx, CTO • 1836-Gxx • 1836-Q2x, Q3x, Q8x, Q9x, QAx, QBx • 2883-2Mx, 2Nx, 2Sx, 2Tx • 2883-8Gx, 8Ex, 8Fx • 2883-Exx • 2887-22x, 23x, 24x, 25x, 26x, 2Kx, 2Rx, 42x, 43x, 44x, 45x, 46x, 49x, 52x, 53x, 54x, 55x, 56x, 57x, 58x, 59x, 5Ax, 5Bx, 5Cx, 5Dx, 5Ex, 5Fx, 5Gx, 5Hx, 5Jx, 5Kx, 5Lx, 5Mx, 5Nx • 2887-83x, 84x, 85x, 86x, 87x, 89x, 8Ax, 8Bx, 8Mx, 8Nx, 8Px, 8Qx, 92x, 93x, 94x, 95x, 96x, 97x, 98x, 99x, 9Ax, 9Bx, 9Cx, 9Dx, 9Ex, 9Fx, 9Gx, 9Hx, 9Jx, 9Kx, 9Lx, 9Mx, 9Ux, 9Vx • 2887-Exx, Fxx • 2888-47x, 4Ax, 5Px, 5Qx, 5Rx • 2888-8Hx, 8Rx, 9Nx, 9Px, 9Qx, 9Rx, 9Sx, 9Tx • 2888-Exx, Fxx • 2889-48x • 2889-8Kx, 8Sx • 2889-Exx, Fxx • 2894-48x • 2895-48x	26R7834	N

(continued)

No.	FRU	P/N	CRU ID
3	Ultrabay Enhanced shield kit for 15.0-in. <ul style="list-style-type: none"> • 1829-33x, 35x, 36x, 37x, 38x, 39x, 3Ax, 3Bx, 3Cx, 3Dx, 3Ex, 3Fx, 63x, 68x, 6Ax, 6Bx, 6Dx, 72x, 73x, 74x, 75x, 76x, 77x, 78x, 79x, 7Ax, 7Dx, 7Ex, 7Fx, 7Hx, 7Jx, 7Kx, 7Lx, 7Mx, 7Px • 1829-6xx, 7xx, B2x, C4U, Dxx, Exx, CTO • 1829-Kxx, Lxx • 1829-9xx, Pxx • 1830-67x, 6Bx, 6Fx, 6Hx, 7Bx, 7Cx, 7Dx, 7Gx, 7Nx • 1830-Bxx, CTO • 1830-Hxx • 1830-9xx, Fxx, Pxx • 1831-6Fx, 7Cx • 1831-Bxx, CTO • 1831-Hxx • 1831-9xx, Fxx, PUx, PVx • 1832-22x, 23x, 24x, 25x, 28x • 1833-22x, 23x, 24x, 25x, 28x • 1836-3Nx, 3Px, 3Qx, 3Rx, 3Sx, 3Tx, 3Ux • 1836-Bxx, CTO • 1836-Hxx • 1836-Q4x, Q5x, Q6x, Q7x, QCx, QDx, QEx, QFx, QGx, QHx, QJx, QKx, QLx • 1840-6Ex • 1841-6Ex • 2883-2Px, 2Qx, 2Ux, 2Vx • 2883-AKx, ALx, AMx, ARx • 2883-Gxx • 2887-27x, 28x, 29x, 2Ax, 2Bx, 2Lx, 62x, 63x, 64x, 65x, 67x, 72x, 73x, 74x, 75x, 76x, 77x, 78x, 79x, 7Ax, 7Bx, 7Cx, 7Dx, 7Ex, 7Fx, 7Gx, 7Hx • 2887-A2x, A3x, A4x, A5x, A6x, A8x, A9x, AAx, ABx, ACx, ADx, AEx, AFx, AGx, AHx, AQx, B2x, B3x, B4x, B5x, B6x, B7x, B8x, B9x, BAx, BBx, BCx, BDx, BEx, BFx, BGx, BHx, BJx, BKx, BLx, BMx, BNx, BPx • 2887-Gxx, Hxx, Mxx • 2888-68x, 69x, 7Jx • 2888-ASx, BQx • 2888-Gxx, Hxx, Mxx • 2889-ATx • 2889-Hxx, Mxx 	91P8725	N

(continued)

No.	FRU	P/N	CRU ID
4	CPU assembly, Mobile Intel® Celeron® processor, 1.2 GHz • 2887-52x	93P4203	N
	CPU assembly, Mobile Intel® Celeron® processor, 1.3 GHz • 2883-2Sx, 2Ux • 2887-22x, 27x, 2Rx, 42x, 43x, 44x, 45x, 53x, 62x, 63x, 64x, 65x, 66x, 67x, 72x, 73x • 2887-9Ux, 9Vx	93P4204	N
	CPU assembly, Mobile Intel® Celeron® processor 330 (Cel 1.4 GHz) • 2887-83x, 84x, 85x, 86x, 87x, 8Bx, 8Nx, A8x, A9x, AAx, ABx, ACx, ADx, AEx, AFx, AHx, BCx, BDx, BEx	93P4268	N
	CPU assembly, Mobile Intel® Celeron® processor 340 (Cel 1.5 GHz) • 2883-EMx, GHx, GLx • 2887-E2x, E3x, E4x, E6x, E7x, E8x, F3x, G3x, G4x, G5x, G6x, G7x, G8x, G9x, GAx, H6x • 2888-EVx, GQx • 2889-EVx	93P4280	N
	CPU assembly, Mobile Intel® Celeron® processor 350 (1.3) • 2883-EMx, GJx, GLx • 2887-E9x, F4x, F5x, F6x, H7x	93P4281	N
	CPU assembly, Mobile Intel® Celeron® processor 360 (1.4) • 2887-EAx, F7x, F8x, F9x, GBx, H8x	93P4282	N
	CPU assembly, Intel® Pentium® M processor, 1.4 GHz • 1829-33x, 38x, 3Ax, 3Cx, 3Dx, 43x, 44x, 4Ax, 52x, 53x, 54x, 55x, 56x, 57x, 58x, 59x, 5Bx, 63x, 68x, 78x, 79x, 7Dx, 7Px • 1830-46x, 47x, 48x, 56x, 5Ax, 5Cx, 7Cx, 7Dx • 1831-48x, 56x, 5Ax, 5Cx, 7Cx • 1836-2Nx, 2Px, 2Qx, 2Rx, 3Nx, 3Px	26P8482	N

(continued)

No.	FRU	P/N	CRU ID
4	CPU assembly, Intel® Pentium® M processor, 1.5 GHz <ul style="list-style-type: none"> • 1829-28x, 35x, 36x, 3Bx, 3Ex, 4Hx, 5Gx, 5Hx, 5Jx, 5Lx, 6Ax, 6Bx, 6Dx, 72x, 7Ax, 7Ex, 7Fx, 7Hx • 1829-A2x, B2x, B5x, C2x, C3x, C4x, C5x, C6x, C7x, C8x, C9x, CAx, D2x, D3x, D4x, D5x, D6x, D7x, E2x • 1830-4Fx, 5Dx, 5Fx, 6Bx • 1830-AHx, AJx, BTx • 1831-AHx, AJx, BTx, BUx • 1836-2Sx, 2Tx, 2Ux, 3Qx, 3Rx • 1836-A3x, A4x, A5x, B8x, B9x, BAx, BBx, BCx, BDx • 2883-2Mx, 2Nx, 2Px, 2Qx, 2Tx, 2Vx • 2887-23x, 28x, 2Kx, 2Lx, 46x, 54x, 55x, 56x, 57x, 58x, 59x, 5Ax, 5Bx, 74x, 75x, 76x • 2888-47x, 5Px • 2889-48x • 2894-48x • 2895-48x 	26P8533	N
	CPU assembly, Intel® Pentium® M processor, 1.6 GHz <ul style="list-style-type: none"> • 1829-29x, 37x, 39x, 3Fx, 5Mx, 73x, 74x, 75x, 76x, 77x, 7Mx, 7Hx, 7Jx, 7Kx, 7Mx • 1829-6Yx, 6Zx, 7Yx, B6x, CBx, CCx, CDx, CEx, CFx, CGx, CHx, CJx, CKx, CLx, D8x, D9x, DAx, DBx, DCx, D Dx, DEx, D Fx, DGx, DHx, E9x, EAx • 1830-67x, 6Fx, 6Hx, 7Bx, 7Gx, 7Nx • 1830-AAx, ABx, ACx, ADx, AEx, AFx, AGx, AKx, ALx, BKx, BLx, BQx, BVx • 1831-6Fx • 1831-BLx • 1836-3Sx, 3Tx, 3Ux • 1840-6Ex • 1841-6Ex • 2887-24x, 26x, 29x, 2Bx, 49x, 5Cx, 5Dx, 5Ex, 5Fx, 5Gx, 5Hx, 5Jx, 5Kx, 5Lx, 77x, 78x, 79x, 7Ax, 7Bx, 7Cx, 7Dx, 7Ex, 7Fx • 2888-4Ax, 5Px, 5Qx, 5Rx, 68x, 69x, 7Jx 	26P8483	N

(continued)

Parts list

No.	FRU	P/N	CRU ID
4	CPU assembly, Intel® Pentium® M processor, 1.7 GHz <ul style="list-style-type: none"> • 1829-7Zx, B3x, B4x, B7x, CMx, CNx, CPx, CQx, CRx, CSx, CTx, CUx, CVx, CWx, CXx, DJx, DKx, DLx, DMx, DNx, DPx, DQx, E3x, E4x, E5x, E6x, E7x, EBx, ECx, EDx, EEx, EFx, EGx • 1830-BJx, BMx, BNx, BPx, BRx, BSx, • 1831-BJx, BMx • 1832-22x, 23x, 24x, 25x, 26x, 27x, 28x • 1833-22x, 23x, 24x, 25x, 26x, 27x, 28x • 2887-25x, 2Ax, 5Mx, 5Nx, 7Gx, 7Hx, 	91P7387	N
	CPU assembly, Intel® Pentium® M processor 715 (1.5 GHz) <ul style="list-style-type: none"> • 1829-J2x, J3x, J4x, J5x, J6x, J7x, J8x, J9x, JAx, JBx, JCx, JDx, JEx, K2x, K3x, K4x, K5x, K6x, K7x, K8x, K9x, KAx, KBx, KCx, KDx, KEx, L2x, L3x • 1830-G2x, G3x, G4x • 1830-8Nx • 1836-GCx, GDx, GEx, H7x, H8x, HBx, HEx • 2883-8Gx, 8Qx, AMx, ARx • 2887-89x, 8Ax, 8Mx, 8Px, 98x, 99x, 9Ax, 9Bx, 9Cx, 9Dx, 9Ex, 9Fx, 9Gx, 9Hx, 9Jx, 9Kx, 9Lx, 9Mx, A5x, A6x, AGx, AQx, Bfx, BGx, BHx, BJx, BKx, BLx, BMx, BNx, BPx • 2888-8Hx, 8Rx, 9Rx, 9Sx, 9Tx, ASx • 2888-FGx, M3x • 2889-8Kx, 8Sx, ATx 	93P4261	N

(continued)

No.	FRU	P/N	CRU ID
4	CPU assembly, Intel® Pentium® M processor 725 (1.6 GHz) <ul style="list-style-type: none"> • 1829-KFx, KGx, KHx, KJx, KKx, KLx, KMx, KNx, KPx, KQx, KRx, KSx, KTx, KUx, KVx, L4x, L5x, L6x, L7x • 1829-82x, 83x, 84x, 8Bx, 8Cx, 8Dx, 8Ex, 8Fx, 8Gx, 8Jx, 8Ux, 8Xx, 94x, 95x, 98x, P2x, P3x, P4x, P5x,, PEx, PFX, PGx, PKx, PLx, PTx • 1830-8Kx, 8Lx, 9Qx, G5x, G6x, G7x, G8x, G9x, GAx, GBx, H2x, H3x, PUX, • 1830-8Px, 8Rx, 8Sx, 8Ux, 8Vx, F3x • 1831-8Kx, 8Lx, 8Xx, 8Yx, 9Qx, PUX • 1836-GFx, H9x, HAx, HCx, HFx • 1836-Q8x, QCx, QGx • 2883-8Ex, AKx • 2883-ELx, EPx, GKx, GNx • 2887-92x, 93x, 94x, 95x, 96x, A2x, A3x, A4x, B2x, B3x, B4x, B5x, B6x, B7x • 2887-EBx, ECx, EDx, EEx, EFx, F2x, FAx, FBx, FCx, FDx, G2x, GCx, GDx, H2x, H5x, H9x, HAx, HBx, HCx, HDx, HEx, HFx, HGx, HHx, HJx • 2888-9Nx, 9Px, 9Qx, BQx • 2888-ECx, FCx, EWx, FHx, FJx, H9x • 2889-ECx, EWx, FHx 	91P7434	N
	CPU assembly, Intel® Pentium® M processor 735 (1.7 GHz) <ul style="list-style-type: none"> • 1829-KWx, KXx, KYx, KZx, L8x, L9x, LAx, LBx, LCx, LDx, LEx, LFx, LGx, LHx • 1829-85x, 86x, 8Hx, 92x, 96x, 99x, 9Ax, 9Mx, P7x, P9x, PAX, PBx, PHx, PMx, PNx, PPx • 1830-H4x, H5x, H6x • 1830-8Mx, 8Qx, 8Tx, 8Wx, 9Rx, 9Tx, F4x, F8x, PVx • 1831-8Mx, PVx • 1836-GGx, HDx, HGx • 1836-Q6x, Q7x, Q9x, QDx, QHx, QJx • 2883-8Fx, ALx • 2883-EQx, GPx • 2887-97x, B8x, B9x, BAx, BBx • 2887-EGx, EHx, FEx, GEx, GFx, H3x, H4x, HKx, HLx, HMx, HNx, HPx, HQx, HRx • 2888-ESx, ETx, EUx, FMx, FNx, GRx, GSx, GTx, HMx, HNx, HPx, M5x, M6x, M9x • 2889-ESx, FNx, HMx, HNx, HPx, M5x 	91P7435	N

(continued)

Parts list

No.	FRU	P/N	CRU ID
4	CPU assembly, Intel® Pentium® M processor 745 (1.8 GHz) <ul style="list-style-type: none"> • 1829-87x, 88x, 89x, 8Ax, 93x, 97x, 9Bx, 9Cx, 9Fx, 9Gx, 9Hx, 9Jx, 9Nx, 9Px, P6x, P8x, PCx, PDx, PQx, PRx, PSx • 1830-9Sx, F6x • 1831-FAx, FCx • 1836-QAx, QEx, QKx • 2887-EJx, FFx, GGx, HSx, HTx, HUX, HVx, HWx, HXx, HYx, HZx, M2x • 2888-HUX, HYx, HZx • 2889-HZx 	91P7357	N
	CPU assembly, Intel® Pentium® M processor 755 (2.0 GHz) <ul style="list-style-type: none"> • 1829-9Dx, 9Ex, 9Jx, 9Kx, 9Lx • 1830-9Ux, 9Vx • 1831-9Wx, 9Xx • 1836-QBx, QFx, QLx 	93P4225	N
5	Modem daughter card (MDC), AMBIT <ul style="list-style-type: none"> • 1829-28x, 29x, 33x, 35x, 36x, 37x, 3Ax, 3Bx, 3Cx, 3Dx, 3Ex, 3Fx, 43x, 44x, 4Ax, 4Hx, 52x, 53x, 54x, 55x, 56x, 57x, 58x, 59x, 5Bx, 5Gx, 5Hx, 5Jx, 5Lx, 5Mx, 63x, 68x, 6Ax, 6Bx, 6Dx, 78x, 79x, 7Ax, 7Dx, 7Ex, 7Fx, 7Hx, 7Jx, 7Kx, 7Mx, 7Px • 1830-46x, 47x, 48x, 4Fx, 56x, 5Ax, 5Cx, 5Dx, 67x, 6Bx, 6Fx, 6Hx, 7Bx, 7Cx, 7Dx, 7Gx, 7Nx • 1831-48x, 56x, 5Ax, 5Cx, 6Fx, 7Cx • 1836-2Nx, 2Px, 2Qx, 2Rx, 2Sx, 2Tx, 2Ux, 3Nx, 3Px, 3Qx, 3Rx, 3Tx, 3Ux • 1840-6Ex • 1841-6Ex 	91P7657	**

(continued)

No.	FRU	P/N	CRU ID
5	IBM Integrated 56K Modem (MDC2) <ul style="list-style-type: none"> • 1829-A2x, B2x, B3x, Cxx, Dxx, • 1829-Jxx, Kxx except KMx, L8x, LBx, LCx, LFx, LHx • 1829-8xx, 92x, 93x, 97x, 98x, 99x, 9Ax, 9Bx, 9Cx, 9Dx, 9Ex, 9Fx, 9Gx, 9Hx, 9Jx, 9Kx, 9Lx, Pxx • 1830-Axx, Bxx • 1830-Gxx, Hxx • 1830-8xx, 9Qx, 9Rx, 9Sx, 9Tx, Fxx, Pxx • 1831-Axx, Bxx • 1831-8xx, Fxx, Pxx, 9Qx • 1836-6Yx, 6Zx, Axx, B8x, BAx, BBx, BDx • 1836-Gxx, Hxx except HAx • 1836-Q2x, Q3x, Q4x, Q5x, Q6x, Q8x, Q9x, QAx, QBx, QCx, QDx, QEx, QFx, QGx, QHx • 2883-2xx • 2883-8xx, Axx • 2883-Exx, Gxx • 2887-2xx, 4xx, 5xx, 6xx, 7xx • 2887-8xx, 9xx, Axx, Bxx • 2887-Exx, Fxx, Gxx, Hxx, Mxx • 2888-4xx, 5xx, 6xx, 7xx • 2888-8xx, 9xx, Axx, Bxx • 2888-Exx, Fxx, Gxx, Hxx, Mxx • 2889-8xx, Axx • 2889-Exx, Fxx, Hxx, Mxx • 2894-4xx • 2895-4xx 	93P4166	**

(continued)

Parts list

No.	FRU	P/N	CRU ID
5	IBM Integrated <i>Bluetooth</i> with 56K Modem (BMDC), ACTIONTEC <ul style="list-style-type: none"> • 1829-38x, 39x, 72x, 73x, 74x, 75x, 76x, 77x, 7Lx • 1832-22x, 23x, 24x, 25x, 26x, 27x, 28x • 1833-22x, 23x, 24x, 25x, 26x, 27x, 28x • 1836-3Sx 	91P7315	**
	IBM Integrated <i>Bluetooth</i> III with 56K Modem (BMDC-2) <ul style="list-style-type: none"> • 1829-7Yx, 7Zx, B4x, B5x, B6x, B7x, E7x, E9x, EAx, EBx, ECx, EDx, EFx, EGx • 1829-KMx, L2x, L3x, L4x, L5x, L6x, L7x, L9x, LAx, LDx, LEx, LGx • 1829-94x, 95x, 96x, 9Mx, 9Nx, 9Px • 1830-BTx, BUx • 1830-9Ux, 9Vx • 1831-BTx, BUx • 1831-9Wx, 9Xx • 1836-B9U, BCU • 1836-HAx • 1836-Q7x, QJx, QKx, QLx 	91P7319	**

(continued)

No.	FRU	P/N	CRU ID
6	128-MB DDR SDRAM SO DIMM (PC2700) OP <ul style="list-style-type: none"> • 2887-2Kx, 2Lx, 45x, 67x • 2887-8Nx, 8Px 	31P9829	*
	256-MB DDR SDRAM SO DIMM (PC2700) OP <ul style="list-style-type: none"> • 1829-43x, 44x, 4Ax, 4Hx, 52x, 53x, 54x, 55x, 56x, 57x, 58x, 59x, 5Bx, 5Gx, 5Hx, 5Jx, 5Lx, 5Mx, 63x, 68x, 6Ax, 6Bx, 6Dx, 72x, 73x, 78x, 79x, 7Ax, 7Dx, 7Ex, 7Fx, 7Hx, 7Jx, 7Kx, 7Px • 1829-C2x, C3x, C4x, C5x, C6x, C7x, C8x, C9x, CAx, CBx, CCx, CDx, CEx, CFx, CHx, CJx, CKx, CLx, CMx, CNx, CQx, CRx, CSx, CUx, CWx, D2x, D3x, D4x, D5x, D6x, D7x, D8x, D9x, DAx, DBx, DCx, DDx, DEx, DFx, DGx, DHx, DJx, DKx, DLx, DMx • 1829-J2x, J3x, J4x, J5x, J6x, J7x, J8x, J9x, JAx, JBx, JCx, JDx, JEx, JFx, JGx, JHx, JIx, JKx, JLx, JMx, JNx, JPx, JRx, JSx, JTx, JUx, K2x, K3x, K4x, K7x, K8x, K9x, KAx, KBx, KFx, KGx, KHx, KKx, KNx, KPx, KQx, KRx, KSx, KVx, KWx, KXx, KZx • 1829-82x, 83x, 84x, 85x, 86x, 87x, 88x, 8Ax, 8Bx, 8Cx, 8Fx, 8Gx, 8Hx, P2x, P3x, P4x, P5x, P7x, P8x, P9x, PAx, PBx, PAx, PBx, PDx, PEx, PTx, • 1830-46x, 47x, 48x, 4Fx, 56x, 5Ax, 5Cx, 5Dx, 5Fx, 67x, 6Bx, 6Fx, 7Bx, 7Cx, 7Dx • 1830-AAx, ABx, ACx, ADx, AEx, AFx, AGx, ALx, BJx, BKx, BLx, BMx, BPx, BQx, BVx • 1830-Gxx, H2x, H3x, H5x • 1830-8Nx, 8Px, 8Qx, 8Rx, 8Sx, 8Mx, 8Ux, 8Vx, 8Wx, F3x, F6x, F8x, PVx • 1831-48x, 56x, 5Ax, 5Cx, 6Fx, 7Cx • 1831-BJx, BLx, BMx • 1831-Hxx • 1831-8Mx, 8Xx, 8Yx, FAx, FCx, PVx (continued)	31P9831	*

(continued)

No.	FRU	P/N	CRU ID
6	256-MB DDR SDRAM SO DIMM (PC2700) OP <ul style="list-style-type: none"> • 1836-2Nx, 2Px, 2Qx, 2Rx, 2Sx, 2Tx, 2Ux, 3Nx, 3Px, 3Qx, 3Rx, 3Sx, 3Tx, 3Ux • 1836-A4x, A5x, BAx, BBx, BCx, BDx • 1836-GCx, GDx, H7x, H8x, H9x, HAx • 1836-Q2x, Q3x, Q4x, Q5x, Q6x, • 1840-6Ex • 1841-6Ex • 2883-2Mx, 2Nx, 2Px, 2Qx • 2883-8Qx, ARx • 2883-ELx, GHx, GJx, GKx • 2887-2Rx, 42x, 43x, 44x, 46x, 52x, 53x, 54x, 55x, 56x, 57x, 58x, 59x, 5Ax, 5Bx, 5Cx, 5Dx, 5Ex, 5Fx, 5Gx, 5Hx, 5Jx, 5Kx, 72x, 73x, 74x, 75x, 76x, 77x, 78x, 7Ax, 7Bx, 7Cx, 7Gx, 7Hx • 2887-83x, 84x, 85x, 86x, 87x, 89x, 8Ax, 8Mx, 92x, 93x, 94x, 95x, 96x, 97x, 98x, 99x, 9Ax, 9Bx, 9Cx, 9Dx, 9Ex, 9Fx, 9Gx, 9Hx, 9Jx, 9Kx, 9Ux, 9Vx, A2x, A4x, A5x, A8x, A9x, AAx, ABx, ACx, ADx, AEx, AFx, AGx, AQx, B2x, B3x, B4x, B8x, B9x, BAx, BBx, BCx, BDx, BEx, BGx, BHx, BJx, BKx • 2887-E3x, E4x, E6x, E7x, E8x, E9x, EAx, EBx, ECx, EDx, EEx, EFx, EGx, EHx, EJx, F3x, F4x, FAx, FBx, FCx, FEx, FFx, G2x, G4x, G5x, G6x, G7x, G8x, GAx, GBx, GDx, GEx, GFx, GGx, H6x, H9x, HAx, HBx, HCx, HDx, HKx, HLx, HMx, HNx, HSx, HTx, HZx • 2888-47x, 4Ax, 5Px, 5Qx, 5Rx, 68x, 69x, 7Jx • 2888-8Hx, 8Rx, 9Rx, 9Sx, 9Tx, 9Nx, 9Px, 9Qx, ASx, BQx • 2888-ECx, ESx, ETx, EUx, EVx, EWx, FCx, FGx, FHx, FJx, FLx, FMx, GQx, GRx, GSx, GTx, H9x, HMx, HNx, HZx, M3x, M5x, M6x, M9x • 2889-48x • 2889-8Kx, 8Sx, ATx • 2889-ECx, FHx, HMx, HNx, HZx, M5x • 2894-48x • 2895-48x 	31P9831	*

(continued)

No.	FRU	P/N	CRU ID
6	512-MB DDR SDRAM SO DIMM (PC2700) OP <ul style="list-style-type: none"> • 1829-74x, 75x, 76x, 77x, 7Lx, 7Mx • 1829-6Yx, 6Zx, 7Yx, 7Zx, CGx, CPx, CTx, CVx, Cx, DNx, DPx, DQx, E2x, E3x, E4x, E5x, E6x, E7x, E9x, EAx, EBx, ECx, EDx, EEx, Efx, EGx • 1829-JQx, JVx, K5x, K6x, KCx, KDx, KEx, KJx, KLx, KMx, KTx, KUx, KYx, Lxx • 1829-89x, 8Dx, 8Ex, 8Jx, 92x, 93x, 94x, 95x, 96x, 97x, 98x, 99x, 9Ax, 9Bx, 9Cx, 9Dx, 9Ex, 9Fx, 9Gx, 9Hx, 9Jx, 9Kx, 9Lx, 9Mx, 9Nx, P6x, PCx, Pfx, PGx, PHx, PJx, PKx, PLx, PMx, PNx, PPx, PQx, PRx, PSx • 1830-6Hx, 7Gx, 7Nx • 1830-AHx, AJx, AKx, BNx, BRx, BSx, BTx, BUx • 1830-H4x, H6x • 1830-8Kx, 8Lx, 8Tx, 8Rx, 8Sx, 8Tx, 8Ux, 9Qx, F4x, PUx • 1831-AHx, AJx, BRx, BTx, BUx • 1831-8Kx, 8Lx, 9Qx, 9Wx, PUx • 1832-22x, 23x, 24x, 25x, 26x • 1833-22x, 23x, 24x, 25x, 26x • 1836-Q7x • 2887-5Lx, 79x, 7Dx, 7Ex, 7Fx • 2887-F5x, F6x, F7x, F8x, F9x, FDx, G9x, GCx, H3x, H4x, H7x, H8x, HEx, Hfx, HGx, HHx, HJx, HPx, HQx, HRx, HUx, HVx, HWx, HXx, HYx, M2x • 2887-9Lx, A3x, A6x, B5x, B6x, B7x, Bfx, BLx, BMx, BNx • 2888-FNx, HPx, HUx, HYx • 2889-FNx, HPx 	31P9833	*
	1-GB DDR SDRAM SO DIMM (PC2700) OP <ul style="list-style-type: none"> • 1829-9Px • 1830-9Vx • 1831-9Xx • 1832-27x, 28x • 1833-27x, 28x 	31P9835	*
For optional DIMMs, see "Optional FRUs" on page 269.			
7	VGA and Ultrabay eject button cable	91P6828	N

(continued)

No.	FRU	P/N	CRU ID
8	Interposer card <ul style="list-style-type: none"> • 1829-33x, 35x, 36x, 37x, 38x, 39x, 3Ax, 3Bx, 3Cx, 3Dx, 3Ex, 3Fx, 63x, 68x, 6Ax, 6Bx, 6Dx, 72x, 73x, 74x, 75x, 76x, 77x, 78x, 79x, 7Ax, 7Dx, 7Ex, 7Fx, 7Hx, 7Jx, 7Kx, 7Lx, 7Mx, 7Px • 1829-6Yx, 6Zx, 7Yx, 7Zx, B2x, B3x, B4x, B5x, B6x, B7x, C4x, D2x, D3x, D4x, D5x, D6x, D7x, D8x, D9x, DAx, DBx, DCx, DDx, DEx, DFx, DGx, DHx, DJx, DKx, DLx, DMx, DNx, DPx, DQx, E2x, E3x, E4x, E5x, E6x, E7x, E9x, EAx, EBx, ECx, EDx, EEx, EFx, EGx • 1829-Kxx, Lxx • 1829-9xx, Pxx • 1830-67x, 6Bx, 6Fx, 6Hx, 7Bx, 7Cx, 7Dx, 7Gx, 7Nx • 1830-BJx, BKx, BLx, BMx, BNx, BPx, BQx, BRx, BSx, BTx, BUx, BVx • 1830-Hxx • 1830-9xx, Fxx, Pxx • 1831-6Fx, 7Cx • 1831-BJx, BLx, BMx, BRx, BTx, BUx • 1831-Hxx • 1831-9xx, Fxx, PUx, PVx • 1832-22x, 23x, 24x, 25x, 26x, 27x, 28x • 1833-22x, 23x, 24x, 25x, 26x, 27x, 28x • 1836-3Nx, 3Px, 3Qx, 3Rx, 3Sx, 3Tx, 3Ux • 1836-B8x, B9x, BAx, BBx, BCx, BDx • 1836-Hxx • 1836-Q4x, Q5x, Q6x, Q7x, QCx, QDx, QEx, QFx, QGx, QHx, QJx, QKx, QLx • 1840-6Ex • 1841-6Ex 	91P7427	N

(continued)

No.	FRU	P/N	CRU ID
8	Interposer card <ul style="list-style-type: none"> • 2883-2Px, 2Qx, 2Ux, 2Vx • 2883-AKx, ALx, AMx, ARx • 2883-Gxx • 2887-27x, 28x, 29x, 2Ax, 2Bx, 2Lx, 62x, 63x, 64x, 65x, 67x, 72x, 73x, 74x, 75x, 76x, 77x, 78x, 79x, 7Ax, 7Bx, 7Cx, 7Dx, 7Ex, 7Fx, 7Gx, 7Hx • 2887-A2x, A3x, A4x, A5x, A6x, A8x, A9x, AAx, ABx, ACx, ADx, AEx, AFx, AGx, AHx, AQx, B2x, B3x, B4x, B5x, B6x, B7x, B8x, B9x, BAx, BBx, BCx, BDx, BEx, BFx, BGx, BHx, BJx, BKx, BLx, BMx, BNx, BPx • 2887-Gxx, Hxx, Mxx • 2888-68x, 69x, 7Jx • 2888-ASx, BQx • 2888-Gxx, Hxx, Mxx • 2889-ATx • 2889-Hxx, Mxx 	91P7427	N

(continued)

Parts list

No.	FRU	P/N	CRU ID
9	Battery pack, Li-ion (6 cell), 4.4 Ah OP <ul style="list-style-type: none"> • 1829-43x, 44x, 4Ax, 4Hx, 52x, 53x, 54x, 55x, 56x, 57x, 58x, 59x, 5Bx, 5Gx, 5Hx, 5Jx, 5Lx, 5Mx, 63x, 68x, 6Ax, 6Bx, 72x, 75x, 78x, 79x, 7Dx, 7Ex, 7Fx, 7Hx, 7Lx, 7Px • 1829-6Yx, 6Zx, 7Yx, Cxx, Dxx, E2x, E4x, E6x, E7x, E9x, EAx, ECx, EEx, EFx • 1829-Jxx, Kxx, L2x, L3x, L4x, L5x, L6x, L7x, L8x, LAx, LBx, LDx, LGx, LHx • 1829-8xx, 94x, 95x, 96x, 97x, 98x, 99x, 9Bx, 9Dx, 9Fx, 9Kx, 9Lx, 9Mx, 9Nx, 9Px, Pxx except P8x • 1830-46x, 47x, 48x, 4Fx, 56x, 5Ax, 5Cx, 5Dx, 5Fx, 67x, 6Bx, 6Fx, 7Cx, 7Dx, 7Gx • 1830-Axx, Bxx • 1830-Gxx, H2x, H3x, H4x, H5x • 1830-8Kx, 8Lx, 8Nx, 8Px, 8Rx, 8Sx, 8Mx, 8Tx, 8Ux, 8Vx, 8Wx, 9Qx, 9Tx, 9Ux, F3x, F4x, F6x, F8x, PUx, PVx • 1831-48x, 56x, 5Ax, 5Cx, 6Fx, 7Cx • 1831-Axx, Bxx • 1831-HHx • 1831-8Kx, 8Lx, 8Mx, 8Xx, 8Yx, 9Qx, 9Wx, FAx, FCx, PUx, PVx • 1836-2Nx, 2Px, 2Qx, 2Sx, 2Tx, 3Nx, 3Px, 3Qx, 3Rx, 3Tx, 3Ux • 1836-A4x, A5x, BAx, BBx, BCx, BDx • 1836-GCx, GDx, H7x, H8x, H9x, HAx • 1836-Q2x, Q3x, Q4x, Q5x, Q6x, Q7x • 1840-6Ex • 1841-6Ex • 2883-2xx • 2883-8Qx, ARx • 2883-ELx, GHx, GJx, GKx • 2887-2xx, 4xx, 5xx, 6xx, 7xx • 2887-8xx except 8Bx, 9xx except 9Mx, Axx except AHx, Bxx except BPx • 2887-E3x, E4x, E6x, E7x, E8x, E9x, EAx, EBx, ECx, EDx, EEx, EFx, EGx, EHx, EJx, F3x, F4x, F5x, F6x, F7x, F8x, F9x, FAx, FBx, FCx, FDx, FEx, G2x, G4x, G5x, G6x, G7x, G8x, G9x, GAx, GBx, GCx, GDx, GEx, GFx, GGx, H2x, H3x, H4x, H6x, H7x, H8x, H9x, HAx, HBx, HCx, HDx, HEx, HFx, HGx, HHx, HJx, HKx, HLx, HMx, HNx, HPx, HQx, HRx, HSx, HTx, HWx, HXx, HZx, M2x • 2888-4xx, 5xx, 6xx, 7xx • 2888-8xx, 9xx, Axx, Bxx • 2888-ECx, ESx, ETx, EUx, EVx, EWx, FCx, FGx, FHx, FJx, FLx, FMx, FNx, GQx, GRx, GSx, GTx, H9x, HMx, HNx, HPx, HZx, M3x, M5x, M9x • 2889-8Kx, 8Sx, ATx • 2889-Exx, Fxx, Hxx, Mxx • 2894-4xx • 2895-4xx 		
	SANYO	08K8193	*
	SONY	92P1011	*

(continued)

No.	FRU	P/N	CRU ID
9	Battery pack, Li-ion (9 cell), 6.6 Ah OP <ul style="list-style-type: none"> • 1829-6Dx, 73x, 74x, 76x, 77x, 7Ax, 7Jx, 7Kx • 1829-E3x, E5x, EBx, EDx, EGx, 7Zx • 1829-L9x, LCx, LEx, LFx • 1829-92x, 93x, 9Ax, 9Cx, 9Ex, 9Gx, 9Hx, 9Jx, P8x • 1830-7Bx • 1830-H6x • 1830-8Qx, 9Rx, 9Sx, 9Vx • 1831-9Xx • 1832-22x, 23x, 24x, 25x, 26x, 27x, 28x • 1833-22x, 23x, 24x, 25x, 26x, 27x, 28x • 1836-2Rx, 2Ux, 3Sx • 2887-FFx, HUX, HVx, HYx • 2888-HUx, HYx, M6x 		
	SANYO	08K8198	*
	SONY	92P1013	*
	For optional battery packs, see "Optional FRUs" on page 269.		
10	Base cover assembly 1829		
	14.1-in. WW <ul style="list-style-type: none"> • 1829-28x, 29x, 43x, 44x, 4Ax, 4Hx, 52x, 53x, 54x, 55x, 56x, 57x, 58x, 59x except 59K, 5Gx, 5Hx, 5Jx, 5Lx except 5LK • 1829-A2x, C2x, C3x, C4x except C4U, C5x, C6x, C7x, C8x, C9x, CAx, CBx, CCx, CDx, CEx, CFx, CHx, CJx, CKx, CLx except CLK, CMx, CNx, CQx, CRx, CSx, CUx, CVx, CWx, CXx 	13N5193	N
	14.1-in. WW <ul style="list-style-type: none"> • 1829-82x, 83x, 84x, 85x, 86x, 87x, 88x, 89x, 8Ax, 8Bx, 8Cx, 8Dx, 8Ex, 8Fx, 8Gx, 8Hx 	26R8060	N
	14.1-in. Korea <ul style="list-style-type: none"> • 1829-59K, 5BK, 5LK, 5MK • 1829-CGK, CLK, CPK, CTK 	13N5194	N
	14.1-in. Korea <ul style="list-style-type: none"> • 1829-8JK 	26R8061	N

(continued)

Parts list

No.	FRU	P/N	CRU ID
10	Base cover assembly 1829		
	15.0-in. WW • 1829-92x, 93x, 94x, 95x, 96x, 97x, 9Fx, 9Gx, 9Hx, 9Jx, 9Kx, 9Lx, 9Mx, 9Nx, 9Px, P3x, P4x, P5x, P6x, P7x, P8x, P9x, PAX, PBx, PCx, PDx, PEx, PFx, PKx, PLx, PMx, PNx, PPx, PQx, PRx, PSx, PTx	26R8062	N
	15.0-in. Korea • 1829-75K, 78K, 79K, 7LK • 1829-D3K, D4K, D7K, D8K, DFK, DHK, DPK, E9K, EAK, ECK, EFK	13N5196	N
	15.0-in. Korea • 1829-98K, 99Kx, 9AK, 9BK, 9CK, 9DK, 9EK, P2K, PGK, PHK, PJK	26R8063	N
	Base cover assembly 1830		
	14.1-in. WW • 1830-46x, 47x, 48x except 48K, 4Fx, 56x except 56K, 5Ax, 5Cx, 5Dx, 5Fx • 1830-AAx, ABx, ACx, ADx, AEx, AFx, AGx, AHx, AJx, AKx, ALx	13N5197	N
	14.1-in. WW • 1830-8Kx, 8Lx, 8Mx except 8MK, 8Nx, 8Px, 8Qx, 8Rx, 8Sx, 8Tx, 8Ux, 8Vx, 8Wx	26R8064	N
	14.1-in. Korea • 1830-48K, 56K	13N5198	N
	14.1-in. Korea • 1830-8MK	26R8065	N
	15.0-in. WW • 1829-E2G • 1830-67x except 67K, 6Bx, 6Fx except 6FK, 6Hx, 7Bx, 7Cx, 7Dx, 7Gx, 7Nx • 1830-BJx, BKx, BLx except BLK, BMx, BNx, BPx, BQx, BRx, BSx, BTx, BUx, BVx	13N5199	N
	15.0-in. WW • 1830-9Qx, 9Rx, 9Sx, 9Tx, 9Ux, 9Vx, F3x, F4x, F6x, F8x, PUx, PVx except PVK	26R8066	N
	15.0-in. Korea • 1830-67K, 6FK • 1830-BLK	13N5210	N
	15.0-in. Korea • 1830-PVK	26R8067	N

(continued)

No.	FRU	P/N	CRU ID
10	Base cover assembly 1831		
	14.1-in. WW • 1831-48x except 48K, 56x except 56K, 5Ax, 5Cx • 1831-AHx, AJx	13N5211	N
	14.1-in. WW • 1831-8Kx, 8Lx, 8Mx except 8MK, 8Xx, 8Yx	26R8068	N
	14.1-in. Korea • 1831-48K, 56K	13N5212	N
	14.1-in. Korea • 1831-8MK	26R8069	N
	15.0-in. WW • 1831-6Fx except 6FK, 7Cx • 1831-BJx, BLx except BLK, BMx, BRx, BTx, BUx	13N5213	N
	15.0-in. WW • 1831-9Qx, 9Wx, 9Xx, FAx, FCx, PUx, PVx except PVK	26R8070	N
	15.0-in. Korea • 1831-67K, 6FK • 1831-BLK	13N5214	N
	15.0-in. Korea • 1831-PVK	26R8071	N
	Base cover assembly 1832		
	15.0-in. WW • 1832-22x except 22K, 23x except 23K, 24x, 25x, 27x, 28x	13N5639	N
	15.0-in. Korea • 1832-22K, 23K, 26K	13N5640	N
	Base cover assembly 1833		
	15.0-in. WW • 1833-22x except 22K, 23x except 23K, 24x, 25x, 27x, 28x	13N5673	N
	15.0-in. Korea • 1833-22K, 23K, 26K	13N5674	N

(continued)

Parts list

No.	FRU	P/N	CRU ID
10	Base cover assembly 1836		
	14.1-in. WW • 1836-2Nx, 2Px, 2Qx, 2Rx, 2Sx, 2Tx, 2Ux • 1836-A3x, A4x, A5x	13N5356	N
	14.1-in. WW • 1836-Q2x, Q3x, Q8x, Q9x, QAx, QBx	26R8072	N
	15.0-in. WW • 1836-3Nx, 3Px, 3Qx, 3Rx, 3Sx, 3Tx, 3Ux • 1836-B8x, B9x, BAx, BBx, BCx, BDx	13N5357	N
	15.0-in. WW • 1836-Q4x, Q5x, Q6x, Q7x, QCx, QDx, QEx, QFx, QGx, QHx, QJx, QKx, QLx	26R8073	N
	Base cover assembly 1840		
	15.0-in. WW • 1840-6Ex except 6EK	13N5358	N
	15.0-in. Korea • 1840-6EK	13N5359	N
	Base cover assembly 1841		
	15.0-in. WW • 1841-6Ex except 6EK	13N5360	N
	15.0-in. Korea • 1841-6EK	13N5361	N
	Base cover assembly 2883		
	14.1-in. WW • 2883-2Mx, 2Nx, 2Sx, 2Tx • 2883-8Ex, 8Fx, 8Gx, 8Qx • 2883-Exx	13R2700	N
	15.0-in. WW • 2883-2Px, 2Qx, 2Ux, 2Vx • 2883-AKx, ALx, AMx, ARx • 2883-Gxx	13R2696	N

(continued)

No.	FRU	P/N	CRU ID
10	Base cover assembly 2887 <ul style="list-style-type: none"> <li data-bbox="187 308 705 941"> 14.1-in. WW <ul style="list-style-type: none"> • 2887-22x, 23x, 24x, 25x, 26x, 2Kx, 2Rx, 42x, 43x, 44x, 45x, 46x, 49x, 52x, 53x, 54x, 55x, 56x, 57x, 58x, 5Ax, 5Bx except 5BK, 5Cx, 5Dx, 5Ex, 5Fx, 5Gx, 5Hx, 5Jx, 5Kx, 5Mx, 5Nx • 2887-83x, 84x, 85x, 86x, 87x except 87K, 89x except 89K, 8Ax, 8Bx, 8Mx, 8Nx except 8NK, 92x, 93x, 94x, 95x, 96x, 97x, 98x, 99x, 9Ax, 9Bx, 9Cx, 9Ex, 9Fx, 9Gx, 9Hx, 9Jx except 9JK, 9Kx, 9Mx, 9Ux, 9Vx • 2887-E2x, E3x except E3K, EBx except EBK, E4x, E6x, E7x, E8x, E9x, EAx, ECx, EDx, EEx, EFx, EGx, EHx, EJx, F2x, F3x, F4x, F5x, F6x, F7x, F8x, F9x, FAx, FBx, FCx, FDx, FEx, FFx <li data-bbox="187 953 705 1086"> 14.1-in. Korea <ul style="list-style-type: none"> • 2887-59K, 5BK, 5LK • 2887-87K, 89K, 8NK, 9DK, 9JK, 9LK • 2887-E3K, EBK <li data-bbox="187 1098 705 1808"> 15.0-in. WW <ul style="list-style-type: none"> • 2887-27x, 28x, 29x, 2Ax, 2Bx, 62x, 63x, 64x, 65x, 66x, 67x, 72x, 73x, 74x, 75x except 75K, 77x, 78x, 79x, 7Ax except 7AK, 7Bx, 7Cx, 7Dx, 7Ex, 7Gx, 7Hx • 2887-A2x, A3x, A4x, A5x, A6x, A8x, A9x except A9K, AAx, ABx, ACx, ADx, AEx, AFx, AGx except AGK, AHx, AQx, B2x, B3x, B4x, B6x, B7x except B7K, B8x, B9x, BAx except BAK, BBx, BCx except BCK, BDx, BEx, BFx, BGx except BGK, BHx except BHK, BJx, BKx, BLx, BMx, BNx, BPx • 2887-G2x, G3x, G4x except G4K, G5x, GAx, GBx, GCx, GFx, GGx, H2x, H3x, H4x, H5x, H9x except H9K, HAx, HFx, HGx, HKx, HLx, HMx, HNx, HPx, HSx, HTx, HUx, HVx except HVK, HYx, HZx, M2x <li data-bbox="187 1820 705 2097"> 15.0-in. Korea <ul style="list-style-type: none"> • 2887-75K, 76K, 7AK, 7FK • 2887-A9K B5K, B7K, BAK, BCK, BGK, BHK • 2887-G4K, G6K, G7K, G8K, G9K, GDK, GEK, H6K, H7K, H8K, H9K, HBK, HCK, HDK, HEK, HHK, HJK, HQK, HRK, HVK, HWK, HXK 	13R2701 13R2702 13R2697 13R2698	N N N N

(continued)

Parts list

No.	FRU	P/N	CRU ID
10	Base cover assembly 2888		
	14.1-in. WW • 2888-47x except 47K, 4Ax, 5Px, 5Qx, 5Rx • 2888-8Hx except 8HK, 8Rx, 9Qx, 9Rx, 9Sx, 9Tx, 9Nx, 9Px • 2888-ECx, ESx except ESK, ETx, EUx, EVx, EWx, FCx, FGx, FHx, FJx, FLx, FMx, FNx	13R2703	N
	14.1-in. Korea • 2888-47K • 2888-8HK	13R2704	N
	15.0-in. WW • 2888-68x, 69x, 7Jx • 2888-ASx, BQx • 2888-GQx, GRx, GS, GTx, H9x, HMx, HNx, HPx, HUx, HYx, HZx, M3x, M5x, M6x, M9x	13R2699	N
	Base cover assembly 2889		
	14.1-in. WW • 2889-48x except 48K • 2889-8Kx except 8KK, 8Sx • 2889-ECx, ESx except ESK, EVx, EXx, FHx, FNx	13R2705	N
	14.1-in. Korea • 2889-48K • 2889-8KK	13R2721	N
	15.0-in. WW • 2889-ATx • 2889-HMx, HPx, HNx, HZx, M5x	26R8001	N
	Base cover assembly 2894		
	14.1-in. WW • 2894-48x except 48K	13R2706	N
	14.1-in. Korea • 2894-48K	13R2707	N
	Base cover assembly 2895		
	14.1-in. WW • 2895-48x except 48K	13R2708	N
	14.1-in. Korea • 2895-48K	13R2709	N

(continued)

No.	FRU	P/N	CRU ID
11	CR-ROM drive, 12.7 mm, HLDS (CRN-8245B-AIBMJ0) <ul style="list-style-type: none"> • 1829-43x • 1829-D8K • 1829-J2x, J3x • 1829-P2K • 1830-46x, 47x • 1830-AAx • 1832-28x • 1833-28x 	92P6565	*
	CR-ROM drive, 12.7 mm, TEAC (CD-224E-C) <ul style="list-style-type: none"> • 1829-43x • 1829-D8K • 1829-J2x, J3x • 1829-P2K • 1830-46x, 47x • 1830-AAx • 1832-28x • 1833-28x • 2887-2Kx, 2Lx, 2Rx, 43x, 45x, 54x, 59x, 5Cx, 62x, 78x, 79x • 2887-83x, 84x, 8Nx, 8Px, 98x, 9Dx, AAx, BJx • 2887-E3x, G6x, GAx, GDx, GEx, HBx • 2888-4Ax, 68x • 2888-ETx, EVx, GRx • 2889-EVx 	92P6561	*

(continued)

Parts list

No.	FRU	P/N	CRU ID
11	DVD-ROM drive, 12.7 mm <ul style="list-style-type: none"> • 1829-44x, 4Ax, 52x, 53x, 58x, 59x, 5Gx, 68x, 6Ax, 78x • 1829-6Zx, 7Yx, C7x, C8x, C9x, CAx, CHx, CJx, CKx, CLx, CPx, CUx, CWx, D6x, DEx, DFx, DKx • 1829-83x, 84x, 85x, 87x, P3x • 1829-J9x, JAx, JBx, JMx, JNx, JUx, K7x, K8x, KNx, KWx • 1830-48x, 5Dx, 67x • 1830-ABx, ACx, AFx, AGx, BJx • 1830-G4x, G8x, G9x, GAx, GBx • 1830-8Rx, 8Vx, F3x • 1831-48x • 1831-BJx • 1831-8Yx • 1836-2Nx, 3N, 3Px, 3Qx, 3Rx • 1840-6Ex • 1841-6Ex • 2883-2Mx, 2Px • 2887-44x, 55x, 56x, 5Ax, 5Dx, 5Ex, 5Hx, 5Mx, 65x, 66x, 75x, 7Ax • 2887-85x, 89x, 8Mx, 93x, 94x, 96x, 9Bx, 9Cx, 9Kx, A9x, ACx, ADx, AQx, BAx, BHx • 2887-E6x, E8x, EBx, ECx, EEx, EGx, F3x, F4x, G4x, GCx • 2888-47x, 5Qx, 69x • 2888-8Hx, 8Rx, 9Px, 9Sx, ASx • 2888-ECx, ESx, EUx, FHx, FJx, GSx, GTx • 2889-48x • 2889-8Kx, 8Sx, ATx • 2889-ECx, ESx, FHx • 2894-48x • 2895-48x 		
	HLDS (GDR-8082N-IMJ0)	92P6567	*
	KME (MKE SR-8177)	92P6571	*

(continued)

No.	FRU	P/N	CRU ID
11	DVD-ROM drive, 9.5 mm OP • Supported by CTO		
	TEAC (DW-18E)	92P5991	*
	HLDS (GDR-8083N)	92P6579	*
	DVD/CD-RW combo drive, 12.7 mm • 1829-4Hx, 54x, 55x, 56x, 57x, 5Bx, 5Gx, 5Hx, 5Jx, 5Lx, 5Mx, 63x, 6Bx, 6Dx, 72x, 73x, 74x, 75x, 76x, 77x, 79x, 7Ax, 7Dx, 7Fx, 7Hx, 7Jx, 7Kx, 7Lx, 7Mx, 7Px • 1829-6Yx, 7Zx, C2x, C3x, C4x, C5x, C6x, CCx, CDx, CEx, CFx, CGx, CMx, CNx, CRx, CSx, CTx, D2x, D3x, D4x, D5x, D9x, DAx, DBx, DCx, DDx, DJx, DMx, DNx, DPx, E2x, E3x, E4x, E7x, E9x, EBx, ECx • 1829-J4x, J5x, J6x, J7x, J8x, JDx, JEx, JFx, JGx, JHx, JJx, JKx, JLx, JPx, JQx, JRx, JSx, JTx, K2x, K3x, K4x, K5x, K6x, KBx, KCx, KDx, KFx, KGx, KHx, KJx, KKx, KLx, KMx, KRx, KSx, KTx, KUx, KYx, KZx, L4x, L8x, L9x, LAx, LBx • 1829-82x, 86x, 88x, 89x, 8Ax, 8Bx, 8Cx, 8Dx, 8Ex, 8Fx, 8Jx, 92x, 93x, 94x, 95x, 96x, 98x, 99x, 9Bx, 9Gx, P4x, P5x, P6x, P7x, P8x, P9x, PBx, PCx, PDx, PEx, PFx, PGx, PHx, PJx, PKx, PLx, PNx, PPx, PRx, PSx, PTx • 1830-4Fx, 56x, 5Ax, 5Cx, 5Fx, 6Bx, 6Fx, 6Hx, 7Bx, 7Cx, 7Dx, 7Gx, 7Nx • 1830-ADx, AEx, AHx, AKx, ALx, BKx, BLx, BMx, BNx, BPx, BQx, BRx, BSx, BTx, BUx, BVx • 1830-G2x, G3x, G5x, G6x, G7x, H2x, H3x, H4x, H5x, H6x • 1830-8Kx, 8Mx, 8Nx, 8Px, 8Qx, 8Sx, 8Tx, 8Ux, 8Wx, 9Qx, 9Rx, 9Tx, F4x, F6x, F8x, PUx, PVx • 1831-56x, 5Ax, 5Cx, 6Fx, 7Cx • 1831-AHx, BLx, BMx, BRx, BTx, BUx • 1831-HHx • 1831-8Mx, 8Xx, FAx, FCx, PVx • 1832-25x • 1833-25x • 1836-2Px, 2Qx, 2Rx, 2Sx, 2Tx, 2Ux, 3Sx, 3Tx, 3Ux • 1836-A4x, BAx, BBx, BDx • 1836-GCx, H7x, H8x, H9x • 1836-Q2x, Q4x, Q5x, Q6x		
	TEAC (DW-225)	92P6563	*
HLDS (GCC-4241N-IMJ0)	92P6569	*	

(continued)

Parts list

No.	FRU	P/N	CRU ID
11	DVD/CD-RW combo drive, 12.7 mm <ul style="list-style-type: none"> • 2883-2Nx, 2Qx • 2883-8Qx, ARx • 2883-ELx, GHx, GJx, GKx • 2887-46x, 49x, 57x, 58x, 5Bx, 5Fx, 5Jx, 5Kx, 5Lx, 5Nx, 63x, 72x, 73x, 74x, 76x, 7Bx, 7Cx, 7Dx, 7Fx, 7Gx, 7Hx • 2887-87x, 92x, 95x, 97x, 99x, 9Ax, 9Ex, 9Fx, 9Gx, 9Hx, 9Jx, 9Lx, 9Ux, 9Vx, A2x, A3x, A4x, A5x, A6x, A8x, ABx, AFx, AGx, B2x, B3x, B5x, B8x, B9x, BCx, BDx, BEx, BFx, BGx, BKx, BMx, BNx • 2887-E7x, E9x, EAx, EDx, EFx, EHx, EJx, F5x, F6x, F7x, F8x, F9x, FAx, FBx, FCx, FEx, FFx, G2x, G5x, G7x, GFx, GGx, H2x, H3x, H4x, H6x, H7x, H8x, H9x, HAx, HCx, HFx, HGx, HHx, HKx, HLx, HMx, HPx, HQx, HSx, HTx, HUX, HWx, HZx • 2888-5Px, 5Rx, 7Jx • 2888-9Nx, 9Qx, 9Rx, 9Tx, BQx • 2888-EWx, FCx, FLx, FGx, FMx, FNx, GQx, H9x, HMx, HPx, HUX, HZx, M3x, M5x, M6x, M9x • 2889-EWx, FNx, HMx, HPx, HZx, M5x 		
	TEAC (DW-225)	92P6563	*
	HLDS (GCC-4241N-IMJ0)	92P6569	*

(continued)

No.	FRU	P/N	CRU ID
11	DVD/CD-RW combo drive, 9.5 mm OP • Supported by CTO		
	KME (UJDA745)	92P6581	*
	TOSHIBA (SD-R9012)	92P5993	*
	PCC (UJDA775)	13N6771	*
	DVD-RAM/RW drive, 12.7 mm, PCC (UJ-811) • 1829-CVx, CXx, DGx, DLx, DQx, E5x, EAx, EDx, EEx, EFx, EGx • 1829-JVx, KVx, L2x, L3x, L5x, L6x, L7x, LCx, LDx, LEx, LFx, LGx, LHx • 1829-97x, 9Ax, 9Cx, 9Dx, 9Ex, 9Fx, 9Hx, 9Jx, 9Kx, 9Lx., 9Mx, 9Nx, 9Px • 1830-AJx • 1830-8Lx, 9Sx, 9Ux, 9Vx • 1831-AJx • 1831-8Lx, 9Wx, 9Xx • 1832-22x, 23x, 24x, 26x, 27x • 1833-22x, 23x, 24x, 26x, 27x • 1836-A5x, BCx • 1836-GDx, HAx • 1836-Q3x, Q7x • 2887-7Ex • 2887-B6x, B7x • 2887-FDx, G8x, G9x, HDx, HEx, HJx, HRx, HVx, HXx, HYx, M2x • 2888-HYx	92P6575	*
	DVD-RAM/RW drive, 12.7 mm, PCC (UJ-830) • 1829-97x, 9Ax, 9Cx, 9Dx, 9Ex, 9Fx, 9Hx, 9Jx, 9Kx, 9Lx., 9Mx, 9Nx, 9Px • 1830-8Lx, 9Sx, 9Ux, 9Vx • 1831-8Lx, 9Wx, 9Xx • 1836-Q3x, Q7x • 2887-FDx, G8x, G9x, HDx, HEx, HJx, HRx, HVx, HXx, HYx, M2x • 2888-HYx	13N6827	*
	Travel cover • 1829-33x, 35x, 3Ax, 3Bx, 3Dx, 3Ex, 7Ex • 1829-CBx, CQx • 2887-42x, 52x, 53x, 5Gx, 64x, 77x • 2887-86x, 8Ax, AEx, B4x, BBx, BLx	13N5354	*
For optional Ultrabay Enhanced devices, see "Optional FRUs" on page 269.			

(continued)

Parts list

No.	FRU	P/N	CRU ID
12	Hard disk drive, 20 GB, 9.5 mm, 4,200 rpm <ul style="list-style-type: none"> • 1829-JBx, K8x • 2887-2Kx, 2Lx, 45x, 67x • 2888-47x • 2889-48x • 2889-8Lx, APx • 2894-48x • 2895-48x 		
	HGST	13N6701	*
	FUJITSU	27L4385	*
	Hard disk drive, 30 GB, 9.5 mm, 4,200 rpm <ul style="list-style-type: none"> • 1829-43x, 44x, 4Ax, 52x, 53x, 54x, 55x, 56x, 57x, 68x • 1829-6Zx, 7Yx, C3x, C4x, C7x, C8x, C9x, CCx, CHx, CJx, CKx, CMx, D2x, DAx • 1829-J2x, J3x, J4x, J5x, J9x, JFx, JMx, K7x • 1829-82x, 83x, 84x, 8Dx, 8Ex, 8Rx, P3x • 1830-46x, 47x, 48x, 4Fx, 56x, 5Dx, 5Fx • 1830-G2x • 1830-8Vx • 1831-48x, 56x • 1831-8Yx • 2883-2Mx, 2Nx, 2Px, 2Qx • 2883-8Qx, ARx • 2883-ELx, GHx, GJx, GKx • 2887-2Rx, 42x, 43x, 44x, 46x, 49x, 52x, 54x, 55x, 56x, 57x, 58x, 5Cx, 5Dx, 5Ex, 5Fx, 62x, 63x, 74x • 2887-83x, 84x, 85x, 86x, 8Mx, 8Nx, 8Px, 92x, 93x, 94x, 98x, 99x, 9Ax, 9Bx, 9Cx, 9Ux, 9Vx, A8x, A9x, AAx, ABx, AQx • 2887-E3x, E4x, E6x, EBx, ECx, F3x, F4x, F5x, F6x, G4x, G5x, G6x, G7x, G8x, G9x, GAx, GCx • 2888-4Ax, 68x, 69x • 2888-8Hx, 8Rx, ASx • 2888-ECx, ESx, ETx, EUx, EVx, FHx, GQx, GRx, GSx, GTx, M5x • 2889-8Kx, 8Sx, ATx • 2889-ECx, EVx, FHx, M5x 		
	FUJITSU	92P6036	*
	HGST	13N6703	*

(continued)

No.	FRU	P/N	CRU ID
12	Hard disk drive, 40 GB, 9.5 mm, 4,200 rpm <ul style="list-style-type: none"> • 1829-4Hx, 58x, 59x, 5Bx, 5Gx, 5Hx, 5Jx, 5Lx, 63x, 6Ax, 6Bx, 6Dx, 72x, 78x, 79x, 7Ax, 7Dx, 7Px • 1829-6Yx, C2x, C5x, CAx, CBx, CDx, CEx, CFx, CLx, CNx, CQx, CRx, CSx, CUx, CWx, D3x, D6x, DBx, DCx, DEx, DGx, DJx, DKx, DLx, DMx, DNx, E2x, • 1829-J6x, J7x, J8x, JAx, JCx, JDx, JGx, JHx, JLx, JNx, JPx, JRx, JSx, JTx, JUx, K2x, K4x, K5x, K6x, KAx, KFx, KGx, KJx, KKx, KLx, KMx, KNx, KQx, KRx, KWx, KXx, KYx, L2x, L3x, L6x, L8x • 1829-85x, 86x, 87x, 88x, 8Ax, 8Bx, 8Cx, 8Fx, 8Gx, 8Hx, 92x, 94x, P2x, P4x, P5x, P6x, P7x, P8x, P9x, PAx, PBx, PDx, PEx, PFx, PKx, PLx, PMx, PNx, PPx, PTx • 1830-5Ax, 5Cx, 67x, 6Bx, 6Fx, 6Hx, 7Cx, 7Dx, 7Gx • 1830-AAx, ABx, ACx, ADx, AEx, AFx, AGx, AHx, AKx, ALx, BJx, BKx, BLx, BMx, BNx, BPx, BQx, BRx, BTx, BVx • 1830-G3x, G4x, G5x, G7x, G8x, G9x, GAx, GBx, H2x, H3x, H4x, H5x • 1830-8Kx, 8Mx, 8Nx, 8Px, 8Qx, 8Sx, 8Tx, 8Ux, 8Wx, 9Rx, 9Tx, F3x, F4x, F6x, F8x, PUX, PVx • 1831-5Ax, 5Cx, 6Fx, 7Cx • 1831-AHx, BJx, BLx, BMx, BRx, BTx • 1831-HHx • 1831-8Kx, 8Mx, 8Xx, FAx, FCx, PUX, PVx • 1836-2Nx, 2Px, 2Qx, 2Sx, 2Tx, 3Nx, 3Px, 3Qx, 3Rx, 3Tx, 3Ux • 1836-A4x, BAx, BBx, BDx • 1836-GCx, H7x, H8x • 1836-Q2x, Q4x, Q5x • 1840-6Ex • 1841-6Ex • 2887-53x, 59x, 5Ax, 5Bx, 5Gx, 5Hx, 5Jx, 5Kx, 5Mx, 5Nx, 64x, 65x, 66x, 72x, 73x, 75x, 76x, 77x, 78x, 79x, 7Ax, 7Bx, 7Cx, 7Dx, 7Ex, 7Gx, 7Hx • 2887-87x, 8Ax, 95x, 96x, 97x, 9Dx, 9Ex, 9Fx, 9Gx, 9Hx, 9Jx, 9Kx, A2x, A3x, A4x, A5x, A6x, ACx, ADx, AEx, AFx, AGx, B2x, B3x, B4x, B8x, B9x, BAx, BBx, BCx, BDx, BEx, BFx, BGx, BHx, BJx, BKx • 2887-E7x, E8x, E9x, EAx, EDx, EEx, EFx, EGx, EHx, EJx, F7x, F8x, F9x, FAx, FBx, FCx, FEx, FFx, GBx, GDx, GEx, GFx, GGx, H6x, H7x, H8x, H9x, HAx, HBx, HCx, HDx, HEx, HFx, HGx, HKx, HLx, HMx, HNx, HPx, HSx, HTx, HUx • 2888-5Px, 5Qx, 5Rx, 7Jx • 2888-9Nx, 9Px, 9Rx, 9Sx, 9Tx, 9Qx, BQx • 2888-EWx, FCx, FGx, FJx, FLx, FMx, FNx, H9x, HMx, HNx, HPx, HUx, M3x, M6x, M9x • 2889-FNx, HNx, HMx, HPx 		
	FUJITSU	27L4389	*
	HGST	13N6705	*

(continued)

Parts list

No.	FRU	P/N	CRU ID
12	Hard disk drive, 40 GB, 9.5 mm, 5,400 rpm <ul style="list-style-type: none"> • 1829-C4U, D4x, D5x, D7x • 1829-JJx, JKx, K3x, K9x, KCx, KDx, KEx, KHx, KJx • 1830-G6x • 2887-BLx, BMx, BNx • 2887-G2x, H2x, H3x 		
	HGST	13N6801	*
	FUJITSU	13N6773	*
	Hard disk drive, 60 GB, 9.5 mm, 4,200 rpm <ul style="list-style-type: none"> • 1829-5Mx, 73x, 74x, 75x, 76x, 77x, 7Ex, 7Fx, 7Hx, 7Jx, 7Kx, 7Lx, 7Mx • 1829-7Zx, C6x, CGx, CPx, CTx, CVx, CXx, D8x, D9x, DDX, DFX, DHx, DPx, DQx, E3x, E7x, E9x, EAx, EBx, ECx, EDx, EEx, EGx • 1829-JEx, JQx, JVx, KBx, KPx, KSx, KTx, KUx, KVx, KZx, L4x, L5x, L7x, L9x, LAx, LCx, LDx, LEx, LFx • 1829-89x, 8Jx, 93x, 95x, 96x, 97x, 98x, 99x, 9Ax, 9Fx, 9Gx, 9Hx, 9Mx, 9Nx, 9Px, PCx, PGx, PHx, PJx, PQx, PRx, PSx • 1830-7Bx, 7Nx • 1830-AJx, BSx • 1830-H6x • 1830-8Lx, 9Sx, 9Qx, 9Ux • 1831-AJx • 1831-8Lx, 9Qx, 9Wx, 9Xx • 1836-2Rx, 2Ux, 3Sx • 1836-A5x • 1836-Q3x, Q6x • 2887-5Lx, 7Fx • 2887-9Lx, B5x, B6x, B7x • 2887-FDx, G4x, HHx, HJx, HQx, HRx, HVx, HWx, HXx, HYx, HZx, M2x, • 2888-HYx, HZx • 2889-HZx 		
	FUJITSU	92P6557	*
	HGST	13N6707	*

(continued)

No.	FRU	P/N	CRU ID
12	Hard disk drive, 60 GB, 9.5 mm, 7,200 rpm (HGST) <ul style="list-style-type: none"> • 1832-22x, 23x, 25x, 27x, 28x • 1833-22x, 23x, 25x, 27x, 28x 	92P6551	*
	Hard disk drive, 80 GB, 9.5 mm, 4,200 rpm <ul style="list-style-type: none"> • 1829-E4x, E6x, EFx • 1829-9Bx, 9Cx, 9Dx, 9Ex, 9Jx, 9Kx, 9Lx • 1830-BUx • 1830-9Vx • 1831-BUx • 1832-24x, 26x • 1833-24x, 26x • 1836-BCx • 1836-Q7x 		
	HGST	13N6709	*
	FUJITSU	92P6559	*

(continued)

Parts list

No.	FRU	P/N	CRU ID
13	Cover, hard disk drive for models with 14.1-in. LCD <ul style="list-style-type: none"> • 1829-28x, 29x, 43x, 44x, 4Ax, 4Hx, 52x, 53x, 54x, 55x, 56x, 57x, 58x, 59x, 5Bx, 5Gx, 5Hx, 5Jx, 5Lx, 5Mx • 1829-A2x, Cxx except C4U, CTO • 1829-Jxx • 1829-8xx • 1830-46x, 47x, 48x, 4Fx, 56x, 5Ax, 5Cx, 5Dx, 5Fx • 1830-Axx, CTO • 1830-Gxx • 1830-8xx • 1831-48x, 56x, 5Ax, 5Cx • 1831-Axx, CTO • 1831-8xx • 1836-2Nx, 2Px, 2Qx, 2Rx, 2Sx, 2Tx, 2Ux • 1836-Axx, CTO • 1836-Gxx • 1836-Q2x, Q3x, Q8x, Q9x, QAx, QBx • 2883-2Mx, 2Nx, 2Sx, 2Tx • 2883-8Gx, 8Ex, 8Fx • 2883-Exx • 2887-22x, 23x, 24x, 25x, 26x, 2Kx, 2Rx, 42x, 43x, 44x, 45x, 46x, 49x, 52x, 53x, 54x, 55x, 56x, 57x, 58x, 59x, 5Ax, 5Bx, 5Cx, 5Dx, 5Ex, 5Fx, 5Gx, 5Hx, 5Jx, 5Kx, 5Lx, 5Mx, 5Nx • 2887-83x, 84x, 85x, 86x, 87x, 89x, 8Ax, 8Bx, 8Mx, 8Nx, 8Px, 8Qx, 92x, 93x, 94x, 95x, 96x, 97x, 98x, 99x, 9Ax, 9Bx, 9Cx, 9Dx, 9Ex, 9Fx, 9Gx, 9Hx, 9Jx, 9Kx, 9Lx, 9Mx, 9Ux, 9Vx • 2887-Exx, Fxx • 2888-47x, 4Ax, 5Px, 5Qx, 5Rx • 2888-8Hx, 8Rx, 9Nx, 9Px, 9Qx, 9Rx, 9Sx, 9Tx • 2888-Exx, Fxx • 2889-48x • 2889-8Kx, 8Sx • 2889-Exx, Fxx • 2894-48x • 2895-48x 	13N5189	*

(continued)

No.	FRU	P/N	CRU ID
13	Cover, hard disk drive for models with 15.1-in. LCD <ul style="list-style-type: none"> • 1829-33x, 35x, 36x, 37x, 38x, 39x, 3Ax, 3Bx, 3Cx, 3Dx, 3Ex, 3Fx, 63x, 68x, 6Ax, 6Bx, 6Dx, 72x, 73x, 74x, 75x, 76x, 77x, 78x, 79x, 7Ax, 7Dx, 7Ex, 7Fx, 7Hx, 7Jx, 7Kx, 7Lx, 7Mx, 7Px • 1829-6xx, 7xx, B2x, C4U, Dxx, Exx, CTO • 1829-Kxx, Lxx • 1829-9xx, Pxx • 1830-67x, 6Bx, 6Fx, 6Hx, 7Bx, 7Cx, 7Dx, 7Gx, 7Nx • 1830-Bxx, CTO • 1830-Hxx • 1830-9xx, Fxx, Pxx • 1831-6Fx, 7Cx • 1831-Bxx, CTO • 1831-Hxx • 1831-9xx, Fxx, PUx, PVx • 1832-22x, 23x, 24x, 25x, 28x • 1833-22x, 23x, 24x, 25x, 28x • 1836-3Nx, 3Px, 3Qx, 3Rx, 3Sx, 3Tx, 3Ux • 1836-Bxx, CTO • 1836-Hxx • 1836-Q4x, Q5x, Q6x, Q7x, QCx, QDx, QEx, QFx, QGx, QHx, QJx, QKx, QLx • 1840-6Ex • 1841-6Ex • 2883-2Px, 2Qx, 2Ux, 2Vx • 2883-AKx, ALx, AMx, ARx • 2883-Gxx • 2887-27x, 28x, 29x, 2Ax, 2Bx, 2Lx, 62x, 63x, 64x, 65x, 67x, 72x, 73x, 74x, 75x, 76x, 77x, 78x, 79x, 7Ax, 7Bx, 7Cx, 7Dx, 7Ex, 7Fx, 7Gx, 7Hx • 2887-A2x, A3x, A4x, A5x, A6x, A8x, A9x, AAx, ABx, ACx, ADx, AEx, AFx, AGx, AHx, AQx, B2x, B3x, B4x, B5x, B6x, B7x, B8x, B9x, BAx, BBx, BCx, BDx, BEx, BFx, BGx, BHx, BJx, BKx, BLx, BMx, BNx, BPx • 2887-Exx, Fxx • 2888-68x, 69x, 7Jx • 2888-ASx, BQx • 2888-Gxx, Hxx, Mxx • 2889-ATx • 2889-Hxx, Mxx 	13N5190	*
14	Cover, DIMM slot	13N5188	*
15	Speaker assembly	91P8335	N

(continued)

Parts list

No.	FRU	P/N	CRU ID
16	Backup battery	02K7078	N
17	Intel® PRO/Wireless LAN 2100 3B Mini PCI Adapter <ul style="list-style-type: none"> • 1829-4Ax, 4Hx, 53x, 56x, 57x, 58x, 59x, 5Bx, 5Gx, 5Lx, 5Mx, 63x, 68x, 6Ax, 72x, 74x, 75x, 76x, 78x, 79x, 7Hx, 7Jx, 7Kx, 7Lx, 7Mx, 7Px • 1829-K5x, L2x • 1830-47x, 4Fx, 56x, 5Ax, 5Fx, 6Fx, 6Hx, 7Bx, 7Cx, 7Gx • 1830-BLx • 1831-56x, 5Ax, 6Fx, 7Cx • 1831-BLx • 1832-23x, 25x, 26x • 1833-23x, 25x, 26x • 1836-2Nx, 2Qx, 2Tx, 3Px, 3Rx, 3Ux • 1840-6Ex • 1841-6Ex • 2887-A4x • 2887-FAx, FEx, HAx, HLx • 2888-9Nx • 2888-FGx, M3x 	91P7267	N
IBM 11a/b/g Wireless LAN Mini PCI Adapter			
	<ul style="list-style-type: none"> • 1829-6Dx, 73x, 77x, 7Ax, 7Fx • 1829-C4U, CFx, CNx, CQx, CRx, D4x, D8x, DCx, DDx, DGx, DJx, DLx, DMx, DQx, E4x, EAx, EBx, EDx, EEx, EFx, EGx • 1829-JRx, JSx, K3x, KGx, KHx, L9x, LDx, LEx, LFx, LHx • 1830-5Cx, 7Dx, 7Nx • 1830-AKx, BKx, BPx • 1830-H5x • 1831-5Cx • 1832-22x except 22J • 1833-22x except 22J • 1836-2Rx, 2Ux, 3Sx • 1836-A5x, BCx • 1836-GDx, HAx • 2887-77x, 7Bx except 7BJ, 7Dx except 7DJ 	91P7301	N
	<ul style="list-style-type: none"> • 1829-7DJ • 1829-E7E • 1832-22J, 27E • 1833-22J, 27E • 2887-62J, 63J, 78J, 79J, 7BJ, 7DJ 	93P3599	N

(continued)

No.	FRU	P/N	CRU ID
17	Intel® PRO Wireless 2200BG Mini-PCI Adapter <ul style="list-style-type: none"> • 1829-CBU, CCU, CDU, D7F, D7U, DHF, DHU, E6F, E6U • 1829-J8F, K4F, KCU, KCF, KEU, KEF, KKF, KTU, KTF, KXF, KZF, LBU, LBF • 1829-8DF, 8DU, 8EF, 8EU, 9KF, 9KU, PKF, PKU, PNF, PNU, PRF, PRU • 1830-ACU, ADU, AHU, AJU, BQU, BTU, BUU • 1830-G7U, H3U • 1830-8KU, 8LU, 8MF, 8MU, 8TU, 9TU, 9QU, F4U, PUU • 1831-AHU, AJU, BTU, BUU • 1831-8KU, 8LU, 8MF, 8MU, 9QU, PUU, PVF, PVU • 1836-A4U, BAU, BBU, BDU • 1836-GCU, H7U, H8U, H9U • 1836-Q2x, Q4x, Q5x, Q6x • 2883-2Mx, 2Nx, 2Px, 2Qx • 2883-8QU, ARU • 2883-ELU, GHU, GJU, GKU • 2887-2Kx, 2Lx, 2Rx, 44x, 46x, 49x, 55x, 56x, 57x, 58x, 59x, 5Ax, 5Bx, 5Dx, 5Ex, 5Fx, 5Gx, 5Hx, 5Jx, 5Kx, 5Lx, 5Mx, 5Nx, 66x, 75x, 76x, 7Ax, 7Cx, 7Fx, 7Gx, 7Hx • 2887-8PUx, 9VF, 9VU, AGF, B3F, B4F, BBF, BEU, BLU, BMU • 2887-F5U, F6U, F8U, F9U, HFU • 2888-4Ax, 5Px, 5Qx, 5Rx, 68x, 7Jx • 2888-9QF, BQF, BQU • 2888-ESU, ETU, EVU, EWU, FMU, GRU, GTU, M9U • 2889-EVU, EWU 	93P4168	N

(continued)

No.	FRU	P/N	CRU ID
17	<p>Intel® PRO Wireless 2200BG Mini-PCI Adapter</p> <ul style="list-style-type: none"> • 1829-C2x, C3x, C4x except C4U, C5x, C6x, C7x, CAx, CBx except CBU, CCx except CCU, CDx except CDU, CEx, CGx, CHx, CLx, CMx, CPx, CSx, CTx, CUx, CVx, D2x, D3x, D5x, D6x, D7x except D7F and D7U, DAx, DBx, DEx, DFx, DHK, DKx, DNx, DPx, E2x, E3x, E5x, E9x, ECx • 1829-J2x, J3x, J4x, J5x, J6x, J8x except J8F, J9x, JAx, JDx, JEx, JFx, JGx, JIx, JKx, JLx, JMx, JNx, JPx, JQx, JTx, JUx, JVx, K2x, K4x except K4F, K6x, K9x, KBx, KFx, KJx, KKx except KKF, KLx, KMx, KNx, KPx, KRx, KSx, KVx, KWx, KXx except KXF, KYx, KZx except KZF, L3x, L4x, L5x, L6x, L7x, L8x, LAx, LCx, LGx • 1829-82x, 84x, 85x, 86x, 87x, 88x, 89x, 8Ax, 8Bx, 8Cx, 8Fx, 8Jx, 92x, 93x, 94x, 95x, 96x, 98x, 99x, 9Ax, 9Bx, 9Cx, 9Dx, 9Ex, 9Fx, 9Mx, 9Nx, 9Px, P2x, P4x, P5x, P6x, P7x, P8x, P9x, PBx, PCx, PDx, PEx, PFx, PGx, PHx, PJx, PTx • 1830-ACA, ACP, ACS, ACL, ACY, AEx, AFx, AGx, BJx, BMx, BNx, BRx, BSx • 1830-G2x, G3x, G4x, G6x, G9x, GAx, GBx, H2x, H4x, H6x • 1830-8Nx; 8Px; 8Qx; 8Rx; 8Sx; 8Mx except 8MF, 8MU; 8Ux; 8Wx; 9Rx; 9Ux; F3x; F6x; F8x; PVx except PVF, PVU • 1831-BJx, BMx, BRx • 1831-HHx • 1831-8xx except 8KU, 8LU, 8MF, 8MU; Pxx except PUU, PVF, PVU; 9xx except 9XG 	93P4170	N

(continued)

No.	FRU	P/N	CRU ID
17	Intel® PRO Wireless 2200BG Mini-PCI Adapter <ul style="list-style-type: none"> • 2887-84x, 85x, 87x, 89x, 92x, 93x, 94x, 95x, 96x, 97x, 98x, 99x, 9Ax, 9Bx, 9Cx, 9Dx, 9Ex, 9Gx, 9Hx, 9Jx, 9Kx, 9Lx, A2x, A3x, A5x, A6x, A8x, ADx, AGx except AGF, B2x, B3x except B3F, B4x except B4F, B5x, B6x, B8x, B9x, BAx, BBx except BBF, BCx, BEx except BEU, BFx, BGx, BHx, BLx except BLU, BMx except BMU • 2887-E4x, E7x, E9x, EAx, EBx, EDx, EEx, EGx, EHx, EJx, F3x, F4x, F5x except F5U, F6x except F6U, F8x except F8U, F9x except F9U, FBx, FCx, FDx, FFx, G2x, GDx, GEx, GFx, GGx, H2x, H3x, H4x, H6x, H7x, H8x, H9x, HFx except HFU, HHx, HJx, HKx, HMx, HPx, HQx, HRx, HSx, HTx, HUx, HWx, HXx, HYx, HZx • 2888-8Hx; 9Rx; 9Sx; 9Tx; 9Px; 9Qx except 9QF; BQx except BQU, BQF • 2888-ESx except ESU, FCx, FJx, FLx, FNx, GQx, H9x, HMx, HPx, HUx, HYx, HZx, M5x, M6x • 2889-8Kx • 2889-ESx except ESU, FNx, HMx, HPx, HZx, M5x 	93P4170	N

(continued)

Parts list

No.	FRU	P/N	CRU ID
17	IBM 11b/g Wireless LAN Mini PCI Adapter		
	<ul style="list-style-type: none"> • 1830-ALU, ALF, ALV, BVU, BVF, BVV • 2888-4BU, 4BV, 6AU, 6AV • 2887-B7V 	91P7416	N
	<ul style="list-style-type: none"> • 1830-ALx except ALU, ALF, ALV; BVx except BVU, BVF, BVV • 2888-4Bx except 4BU, 4BV; 6Ax except 6AU, 6AV • 2887-AAx, ABx, B7x except B7V, BJx, BKx 	91P7418	N
	IBM 11a/b/g Wireless LAN Mini PCI Adapter II		
	<ul style="list-style-type: none"> • 1829-9GM, 9HM, 9JM, 9Lx, PLx, PPx, PSx • 1830-9SM • 1836-Q3x, Q7x • 2887-HGU 	93P4262	N
	<ul style="list-style-type: none"> • 1829-97A, 97C, 97V • 1830-9VG • 1831-9XG • 2887-HGx except HGU, HVx, M2x 	93P4264	N
	<ul style="list-style-type: none"> • 2887-G6J, G7J, G8J, G9J, HBJ, HCJ, HDJ, HEJ 	93P4266	N

(continued)

No.	FRU	P/N	CRU ID
18	System board assembly, Intg 10/100 Ethernet with security chip <ul style="list-style-type: none"> • 2883-2Mx, 2Nx, 2Px, 2Qx, 2Sx, 2Tx, 2Ux, 2Vx • 2883-8Ex, 8Fx, 8Gx, AKx, ALx, AMx • 2883-Exx, Gxx • 2887-22x, 23x, 24x, 25x, 27x, 28x, 29x, 2Ax, 2Kx, 2Lx, 2Rx, 42x, 43x, 44x, 45x, 46x, 49x, 62x, 63x, 64x, 65x, 67x • 2887-83x, 84x, 85x, 86x, 87x, 89x, 8Ax, 8Bx, 8Mx, 8Nx, 8Px, A2x, A3x, A4x, A5x, A6x, A8x, A9x, AAx, ABx, ACx, ADx, AEx, AFx, AGx, AHx, AQx • 2887-E2x, E3x, E4x, E6x, E7x, E8x, E9x, EAx, EBx, ECx, EDx, EEx, EFx, EGx, EHx, EJx, G2x, G3x, G4x, G5x, G6x, G7x, G8x, G9x, GAx, GBx, GCx, GDx, GEx, GFx, GGx • 2888-47x, 4Ax, 68x, 69x • 2888-8Hx, 8Rx, ASx • 2888-ECx, ESx, EUx, EVx, EWx, GQx, GRx, Gx, GTx • 2889-48x • 2889-8Kx, 8Lx, APx • 2889-8Kx, 8Sx, ATx • 2889-ECx, ESx, EVx, EWx • 2894-48x • 2895-48x 	93P4201	N

(continued)

Parts list

No.	FRU	P/N	CRU ID
18	System board assembly, Intg Gigabit Ethernet with security chip <ul style="list-style-type: none"> • 2887-26x, 2Bx, 52x, 53x, 54x, 55x, 56x, 57x, 58x, 59x, 5Ax, 5Bx, 5Cx, 5Dx, 5Ex, 5Fx, 5Gx, 5Hx, 5Jx, 5Kx, 5Lx, 5Mx, 5Nx, 72x, 73x, 74x, 75x, 76x, 77x, 78x, 79x, 7Ax, 7Bx, 7Cx, 7Dx, 7Ex, 7Fx, 7Gx, 7Hx • 2887-92x, 93x, 94x, 95x, 96x, 97x, 98x, 99x, 9Ax, 9Bx, 9Cx, 9Dx, 9Ex, 9Fx, 9Gx, 9Hx, 9Jx, 9Kx, 9Lx, 9Mx, 9Ux, 9Vx, B2x, B3x, B4x, B5x, B6x, B7x, B8x, B9x, BAx, BBx, BCx, BDx, BEx, BFx, BGx, BHx, BJx, BKx, BLx, BMx, BNx, BPx • 2887-F2x, F3x, F4x, F5x, F6x, F7x, F8x, F9x, FAx, FBx, FCx, FDx, FEx, FFx, H2x, H3x, H4x, H5x, H6x, H7x, H8x, H9x, HAx, HBx, HCx, HDx, HEx, HFx, HGx, HHx, HJx, HKx, HLx, HMx, HNx, HPx, HQx, HRx, HSx, HTx, HUX, HVx, HWx, HXx, HYx, HZx, M2x • 2888-5Px, 5Qx, 5Rx, 7Jx • 2888-9Nx, 9Px, 9Rx, 9Sx, 9Tx, 9Qx, BQx • 2888-FCx, FGx, FHx, FJx, FLx, FMx, FNx, H9x, HMx, HNx, HPx, HUX, HYx, HZx, M3x, M5x, M6x, M9x • 2888-FHx, FNx, HMx, HNx, HPx, HZx, M5x 	93P4202	N
	System board assembly, M7-32, 10/100 Ethernet <ul style="list-style-type: none"> • Supported by CTO 	91P7331	N
	System board assembly, M7-32, 10/100 Ethernet with security chip for R50 series <ul style="list-style-type: none"> • 1829-33x, 35x, 3Ax, 3Bx, 43x, 44x, 4Ax, 4Hx, 5Gx, 63x, 7Px • 1830-46x, 47x, 48x, 4Fx, 67x • 1831-48x • 1836-2Nx, 3Nx, 3Px, 3Qx, 3Rx 	91P7332	N

(continued)

No.	FRU	P/N	CRU ID
18	System board assembly, M7-32, 10/100 Ethernet with security chip for R51 series <ul style="list-style-type: none"> • 1829-C2x, D5x • 1829-J2x, J3x, JCx, K7x • 1829-82x, 83x, P2x, P3x • 1830-AAx, ABx, ACx, BJx • 1830-G5x, G8x, G9x, H2x • 1831-BJx • 1831-HHx • 1836-BDx • 1836-GCx, GEx, H7x, H8x, HBx • 1836-Q2x, Q4x 	93P4257	N
18	System board assembly, M7-32, Gigabit Ethernet with security chip <ul style="list-style-type: none"> • 1829-28x, 29x, 36x, 37x, 52x, 53x, 54x, 55x, 56x, 57x, 58x, 59x, 5Bx, 5Gx, 5Hx, 5Jx, 5Lx, 5Mx, 68x, 6Ax, 6Bx, 6Dx, 78x, 79x, 7Ax • 1829-6Yx, 6Zx, B4x, C3x, C4x, C5x, C6x, C7x, C8x, C9x, CAx, CBx, CCx, CDx, CEx, CFx, CGx, CHx, CJx, CKx, CLx, CMx, CNx, CPx, D2x, D3x, D4x, D6x, D7x, D8x, D9x, DAx, DBx, DCx, DDx, DEx, DFx, DGx, DHx, DJx, DKx, DLx, E7x • 1829-J4x, J5x, J6x, J7x, J8x, J9x, JAx, JBx, JFx, JGx, JHx, JJx, JKx, JNx, JRx, K2x, K3x, K4x, K5x, K6x, K8x, K9x, KAx, KFx, KGx, KHx, KJx, KKx, KLx, KMx, KNx, KPx, KQx, KWx, KXx, L8x • 1829-84x, 85x, 86, 87x, 88x, 89x, 8Ax, 8Bx, 8Cx, 8Dx, 8Ex, 8Fx, 8Gx, 8Hx, 92x, 93x, 94x, 95x, 96x, P4x, P5x, P6x, P7x, P8x, P9x, PAx, PBx, PCx, PDx, PEx, PFx • 1830-56x, 5Ax, 5Cx, 5Dx, 5Fx, 6Bx, 6Fx, 6Hx • 1830-ADx, AEx, AFx, AGx, AKx, ALx, BKx, BLx, BMx, BVx • 1830-G2x, G3x, G4x, G6x, G7x, GAx, GBx, H3x • 1830-8xx except 8Kx, 8Lx; 9Rx; F4x; F6x • 1831-56x, 5Ax, 5Cx, 6Fx • 1831-BLx, BMx • 1831-8Mx, 8Xx, 8Yx, FAx, PVx • 1836-2Px, 2Qx, 2Rx, 2Sx, 2Tx, 2Ux • 1836-Q3x, Q5x • 1840-6Ex • 1841-6Ex 	93P4258	N

(continued)

Parts list

No.	FRU	P/N	CRU ID
18	System board assembly, M9-32, Gigabit Ethernet with security chip for R51 series <ul style="list-style-type: none"> • 1829-7Yx, 7Zx, A2x, B2x, B3x, B5x, B6x, B7x, CQx, CRx, CSx, CTx, CUx, CVx, CWx, CXx, DMx, DNx, DPx, DQx, E2x, E3x, E4x, E5x, E6x, E9x, EAx, EBx, ECx, EDx, EEx, EFx, EGx • 1829-JDx, JEx, JPx, JQx, JSx, JTx, JUx, JVx, KBx, KCx, KDx, KEx, KRx, KSx, KTx, KUx, KVx, KYx, KZx, L2x, L3x, L4x, L5x, L6x, L7x, L9x, LAx, LBx, LCx, LDx, LEx, LFx, LGx, LHx • 1829-8Jx, 97x, 98x, 99x, 9Ax, 9Bx, 9Cx, 9Dx, 9Ex, 9Fx, 9Gx, 9Hx, 9Jx, 9Kx, 9Lx, 9Mx, 9Nx, 9Px, PGx, PHx, PJx, PKx, PLx, PMx, PNx, PPx, PQx, PRx, PSx, PTx • 1830-AHx, AJx, BNx, BPx, BQx, BRx, BSx, BTx, BUx • 1830-H4x, H5x, H6x • 1830-9xx except 9Rx • 1831-AHx, AJx, BRx, BTx, BUx • 1831-9xx • 1836-A3x, A4x, A5x, B8x, B9x, BAx, BBx, BCx • 1836-GDx, GFx, GGx, H9x, HAx, HCx, HDx, HEx, HFx, HGx • 1836-Q6x, Q7x, Q8x, Q9x, QAx, QBx, QCx, QDx, QEx, QFx, QGx, QHx, QJx, QKx, QLx 	93P4259	N
	System board assembly, M9-32, Gigabit Ethernet with security chip for R50 series <ul style="list-style-type: none"> • 1829-38x, 39x, 3Cx, 3Dx, 3Ex, 3Fx, 72x, 73x, 74x, 75x, 76x, 77x, 7Dx, 7Ex, 7Fx, 7Hx, 7Jx, 7Kx, 7Lx, 7Mx • 1830-7Bx, 7Cx, 7Dx, 7Gx, 7Nx • 1831-7Cx • 1836-3Sx, 3Tx, 3Ux 	91P7334	N
	System board assembly, M10 GL-128, Gigabit Ethernet with security chip for R50 series <ul style="list-style-type: none"> • 1832-22x, 23x, 24x, 25x, 26x, 27x, 28x • 1833-22x, 23x, 24x, 25x, 26x, 27x, 28x 	91P7372	N

(continued)

No.	FRU	P/N	CRU ID
18	System board assembly, M7-32, 10/100 Ethernet with security chip, IBM 11a/b/g Wireless LAN Mini PCI Adapter II for R51 series • Supported by CTO	27K9920	N
	System board assembly, M7-32, Gigabit Ethernet with security chip, IBM 11a/b/g Wireless LAN Mini PCI Adapter II for R51 series • 1836-Q3x	27K9921	N
	System board assembly, M9-32, Gigabit Ethernet with security chip, IBM 11a/b/g Wireless LAN Mini PCI Adapter II for R51 series • 1829-97x, 9Gx, 9Hx, 9Jx, 9Lx, PLx, PPx, PSx • 1830-9Sx, 9Vx • 1831-9Xx • 1836-Q7x	27K9922	N
19	PC Card slot • 1829-all • 1830-all • 1831-all • 1836-all • 1840-all • 1841-all • 2883-all • 2887-all • 2888-all • 2889-all • 2894-4xx • 2895-4xx	13N5181	N
	PC Card slots • 1832-all • 1833-all	13N5634	N

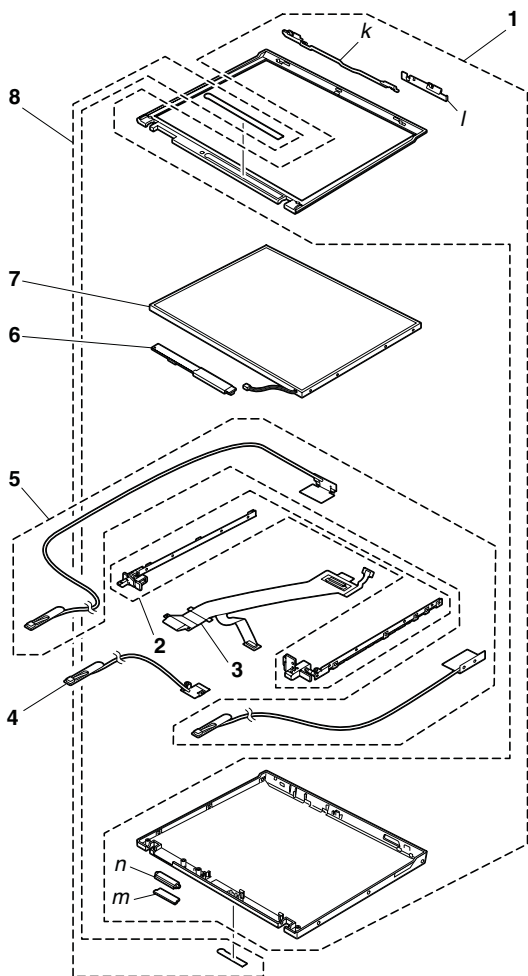
(continued)

No.	FRU	P/N	CRU ID
20	IEEE1394 cable <ul style="list-style-type: none"> • 1829-28x, 29x, 36x, 37x, 38x, 39x, 3Cx, 3Dx, 3Ex, 3Fx, 52x, 53x, 54x, 55x, 56x, 57x, 58x, 59x, 5Bx, 5Gx, 5Hx, 5Jx, 5Lx, 5Mx, 68x, 6Ax, 6Bx, 6Dx, 72x, 73x, 74x, 75x, 76x, 77x, 78x, 79x, 7Ax, 7Dx, 7Ex, 7Fx, 7Hx, 7Jx, 7Kx, 7Lx, 7Mx • 1829-6Yx, 6Zx, 7Yx, 7Zx, A2x, Bxx, Cxx except C2G, Dxx, Exx • 1829-J5x, J6x, J7x, J8x, J9x, JAx, JBx, JDx, JEx, JFx, JGx, JHx, JJx, JKx, JMx, JNx, JPx, JQx, JRx, JSx, JTx, JUx, JVx, Kxx except K7x, Lxx • 1829-84x, 85x, 86x, 87x, 88x, 89x, 8Ax, 8Bx, 8Cx, 8Dx, 8Ex, 8Fx, 8Gx, 8Hx, 8Jx, 92x, 93x, 94x, 95x, 96x, 97x, 98x, 99x, 9Ax, 9Bx, 9Cx, 9Dx, 9Ex, 9Fx, 9Gx, 9Hx, 9Jx, 9Kx, 9Lx, 9Mx, 9Nx, 9Px, P4x, P5x, P6x, P7x, P8x, P9x, PAx, PBx, PCx, PDx, PEx, PFx, PGx, PHx, PJx, PKx, PLx, PMx, PNx, PPx, PQx, PRx, PSx, PTx • 1830-56x, 5Ax, 5Cx, 5Dx, 5Fx, 6Bx, 6Fx, 6Hx, 7Bx, 7Cx, 7Dx, 7Gx, 7Nx • 1830-ADx, AEx, AFx, AGx, AHx, AJx, AKx, ALx, BKx, BLx, BMx, BNx, BPx, BQx, BRx, BSx, BTx, BUx, BVx • 1830-G2x, G3x, G4x, G6x, G7x, GAx, GBx, H3x, H4x, H5x, H6x • 1830-8Kx, 8Lx, 8Mx, 8Nx, 8Px, 8Qx, 8Rx, 8Sx, 8Tx, 8Ux, 8Wx, 9Qx, 9Rx, 9Sx, 9Tx, 9Ux, 9Vx, F3x, F4x, F6x, F8x, PUx, PVx • 1831-56x, 5Ax, 5Cx, 6Fx, 7Cx • 1831-8Mx, 8Xx, 8Yx, 9Wx, 9Xx, FAx, FCx, PVx • 1831-BLx, BMx, BRx, BTx, BUx • 1836-2Px, 2Qx, 2Rx, 2Sx, 2Tx, 2Ux, 3Sx, 3Tx, 3Ux • 1836-A3x, A4x, A5x, B8x, B9x, BAx, BBx, BCx • 1836-GDx, GFx, GGx, H9x, HAx, HCx, HDx, HEx, HFx, HGx • 1836-Q3x, Q5x, Q6x, Q7x, Q8x, Q9x, QAx, QBx, QCx, QDx, QEx, QFx, QGx, QHx, QJx, QKx, QLx • 1840-6Ex • 1841-6Ex (continued)	91P6829	N

(continued)

No.	FRU	P/N	CRU ID
20	IEEE1394 cable <ul style="list-style-type: none"> • 2887-26x, 2Bx, 52x, 53x, 54x, 55x, 56x, 57x, 58x, 59x, 5Ax, 5Bx, 5Cx, 5Dx, 5Ex, 5Fx, 5Gx, 5Hx, 5Jx, 5Kx, 5Lx, 5Mx, 5Nx, 72x, 73x, 74x, 75x, 76x, 77x, 78x, 79x, 7Ax, 7Bx, 7Cx, 7Dx, 7Ex, 7Fx, 7Gx, 7Hx • 2887-92x, 93x, 94x, 95x, 96x, 97x, 98x, 99x, 9Ax, 9Bx, 9Cx, 9Dx, 9Ex, 9Fx, 9Gx, 9Hx, 9Jx, 9Kx, 9Lx, 9Mx, 9Ux, 9Vx, B2x, B3x, B4x, B5x, B6x, B7x, B8x, B9x, BAx, BBx, BCx, BDx, BEx, BFx, BGx, BHx, BJx, BKx, BLx, BMx, BNx, BPx • 2887-F2x, F3x, F4x, F5x, F6x, F7x, F8x, F9x, FAX, FBx, FCx, FDx, FEx, FFx, H2x, H3x, H4x, H5x, H6x, H7x, H8x, H9x, HAx, HBx, HCx, HDx, HEx, HFx, HGx, HHx, HJx, HKx, HLx, HMx, HNx, HPx, HQx, HRx, HSx, HTx, HUX, HVx, HWx, HXx, HYx, HZx, M2x • 2888-5Px, 5Qx, 5Rx, 7Jx • 2888-9Nx, 9Px, 9Rx, 9Sx, 9Tx, 9Qx, BQx • 2888-FCx, FGx, FHx, FJx, FLx, FMx, FNx, H9x, HMx, HNx, HPx, HUX, HYx, HZx, M3x, M5x, M6x, M9x • 2889-FHx, FNx, HMx, HNx, HPx, HZx, M5x 	91P6829	N
21	Fan	13N5182	N
22	Keyboard (see "Keyboard" on page 255)		**
23	TrackPoint stick caps	91P9642	*
—	Telephone cable (SAN TAI)	27L0700	*
—	Thermal grease	46L4855	N
—	AC adapter (see "AC adapters" on page 254.)		*

LCD FRUs



14.1-in. XGA TFT

No.	FRU	P/N	CRU ID
<i>k- n</i>	See "Miscellaneous parts" on page 265.		
1	LCD cover kit, 14.1-in. (WW) <ul style="list-style-type: none"> • 1829-28x, 29x, 43x, 44x, 4Ax, 4Hx, 52x, 53x, 54x, 55x, 56x, 57x, 58x, 59x, 5Bx, 5Gx, 5Hx, 5Jx, 5Lx, 5Mx • 1829-A2x, C2x, C3x, C4x except C4U, C5x, C7x, C8x, C9x, CAx, CBx, CCx, CDx, CEx, CFx, CHx, CJx, CKx, CLx except CLK, CMx, CNx, CQx, CRx, CSx, CUx, CVx, CWx, CXx • 1829-Jxx • 1829-8xx • 1830-46x, 47x, 48x, 4Fx, 56x, 5Ax, 5Cx, 5Dx, 5Fx • 1830-Axx • 1830-Gxx • 1830-8xx • 1831-48x, 56x, 5Ax, 5Cx • 1831-Axx • 1836-2Nx, 2Px, 2Qx, 2Rx, 2Sx, 2Tx, 2Ux • 1836-Axx • 1831-8xx • 1836-Gxx • 1836-Q2x, Q3x, Q8x, Q9x, QAx, QBx • 2883-2Mx, 2Nx, 2Sx, 2Tx • 2883-8Gx, 8Ex, 8Fx • 2883-ELx, EMx, ENx, EPx, EQx • 2887-22x, 23x, 24x, 25x, 26x, 2Kx, 2Rx, 42x, 43x, 44x, 45x, 46x, 49x, 52x, 53x, 54x, 55x, 56x, 57x, 58x, 59x, 5Ax, 5Bx, 5Cx, 5Dx, 5Ex, 5Fx, 5Gx, 5Hx, 5Jx, 5Kx, 5Lx, 5Mx, 5Nx • 2887-83x, 84x, 85x, 86x, 87x, 89x, 8Ax, 8Bx, 8Mx, 8Nx, 8Px, 8Qx, 92x, 93x, 94x, 95x, 96x, 97x, 98x, 99x, 9Ax, 9Bx, 9Cx, 9Dx, 9Ex, 9Fx, 9Gx, 9Hx, 9Jx, 9Kx, 9Lx, 9Mx, 9Ux, 9Vx • 2887-Exx, Fxx • 2888-47x, 4Ax, 5Px, 5Qx, 5Rx • 2888-8Hx, 8Rx, 9Nx, 9Px, 9Qx, 9Rx, 9Sx, 9Tx • 2888-Exx, Fxx • 2889-48x • 2889-8Kx, 8Sx • 2889-Exx, Fxx • 2894-48x • 2895-48x 	13R2664	N

(continued)

Parts list

No.	FRU	P/N	CRU ID
2	Hinges, 14.1-in. <ul style="list-style-type: none"> • 1829-28x, 29x, 43x, 44x, 4Ax, 4Hx, 52x, 53x, 54x, 55x, 56x, 57x, 58x, 59x, 5Bx, 5Gx, 5Hx, 5Jx, 5Lx, 5Mx • 1829-A2x, C2x, C3x, C4x except C4U, C5x, C6K, C7x, C8x, C9x, CAx, CBx, CCx, CDx, CEx, CFx, CGK, CHx, CJx, CKx, CLx, CMx, CNx, CPK, CQx, CRx, CSx, CTK, CUx, CVx, CWx, CXx • 1829-Jxx • 1829-8xx • 1830-46x, 47x, 48x, 4Fx, 56x, 5Ax, 5Cx, 5Dx, 5Fx • 1830-Axx • 1830-Gxx • 1830-8xx • 1831-48x, 56x, 5Ax, 5Cx • 1831-Axx • 1831-8xx • 1836-2Nx, 2Px, 2Qx, 2Rx, 2Sx, 2Tx, 2Ux • 1836-Axx • 1836-Gxx • 1836-Q2x, Q3x, Q8x, Q9x, QAx, QBx • 2883-2Mx, 2Nx, 2Sx, 2Tx • 2883-8Gx, 8Ex, 8Fx • 2883-ELx, EMx, ENx, EPx, EQx • 2887-22x, 23x, 24x, 25x, 26x, 2Kx, 2Rx, 42x, 43x, 44x, 45x, 46x, 49x, 52x, 53x, 54x, 55x, 56x, 57x, 58x, 59x, 5Ax, 5Bx, 5Cx, 5Dx, 5Ex, 5Fx, 5Gx, 5Hx, 5Jx, 5Kx, 5Lx, 5Mx, 5Nx • 2887-83x, 84x, 85x, 86x, 87x, 89x, 8Ax, 8Bx, 8Mx, 8Nx, 8Px, 8Qx, 92x, 93x, 94x, 95x, 96x, 97x, 98x, 99x, 9Ax, 9Bx, 9Cx, 9Dx, 9Ex, 9Fx, 9Gx, 9Hx, 9Jx, 9Kx, 9Lx, 9Mx, 9Ux, 9Vx • 2887-Exx, Fxx • 2888-47x, 4Ax, 5Px, 5Qx, 5Rx • 2888-8Hx, 8Rx, 9Nx, 9Px, 9Qx, 9Rx, 9Sx, 9Tx • 2888-Exx, Fxx • 2889-48x • 2889-8Kx, 8Sx • 2889-Exx, Fxx • 2894-48x • 2895-48x 	13R2982	N

(continued)

No.	FRU	P/N	CRU ID
3	LCD cable assembly 14.1-in. XGA, CR <ul style="list-style-type: none"> • 1829-28x, 29x, 43x, 44x, 4Ax, 4Hx, 52x, 53x, 54x, 55x, 56x, 57x, 58x, 59x, 5Bx, 5Gx, 5Hx, 5Jx, 5Lx, 5Mx • 1829-A2x, C2x, C3x, C4x except C4U, C5x, C6K, C7x, C8x, C9x, CAx, CBx, CCx, CDx, CEx, CFx, CGK, CHx, CJx, CKx, CLx, CMx, CNx, CPK, CQx, CRx, CSx, CTK, CUx, CVx, CWx, CXx • 1829-Jxx • 1830-46x, 47x, 48x, 4Fx, 56x, 5Ax, 5Cx, 5Dx, 5Fx • 1830-Axx • 1830-Gxx • 1830-8xx • 1831-48x, 56x, 5Ax, 5Cx • 1831-Axx • 1831-8xx • 1836-2Nx, 2Px, 2Qx, 2Rx, 2Sx, 2Tx, 2Ux • 1836-Axx • 1836-Gxx • 1836-Q2x, Q3x, Q8x, Q9x, QAx, QBx • 2883-2Mx, 2Nx, 2Sx, 2Tx • 2883-8Gx, 8Ex, 8Fx • 2883-ELx, EMx, ENx, EPx, EQx • 2887-22x, 23x, 24x, 25x, 26x, 2Kx, 2Rx, 42x, 43x, 44x, 45x, 46x, 49x, 52x, 53x, 54x, 55x, 56x, 57x, 58x, 59x, 5Ax, 5Bx, 5Cx, 5Dx, 5Ex, 5Fx, 5Gx, 5Hx, 5Jx, 5Kx, 5Lx, 5Mx, 5Nx • 2887-83x, 84x, 85x, 86x, 87x, 89x, 8Ax, 8Bx, 8Mx, 8Nx, 8Px, 8Qx, 92x, 93x, 94x, 95x, 96x, 97x, 98x, 99x, 9Ax, 9Bx, 9Cx, 9Dx, 9Ex, 9Fx, 9Gx, 9Hx, 9Jx, 9Kx, 9Lx, 9Mx, 9Ux, 9Vx • 2887-Exx, Fxx • 2888-47x, 4Ax, 5Px, 5Qx, 5Rx • 2888-8Hx, 8Rx, 9Nx, 9Px, 9Qx, 9Rx, 9Sx, 9Tx • 2888-Exx, Fxx • 2889-48x • 2889-8Kx, 8Sx • 2889-Exx, Fxx • 2894-48x • 2895-48x 	91P6852	N
4	Available only for models with 15.0-in. SXGA+ LCD		

(continued)

Parts list

No.	FRU	P/N	CRU ID
5	802.11a/b/g antenna, 14.1-in. <ul style="list-style-type: none"> • 1829-28x, 29x, 43x, 44x, 4Ax, 4Hx, 52x, 53x, 54x, 55x, 56x, 57x, 58x, 59x, 5Bx, 5Gx, 5Hx, 5Jx, 5Lx, 5Mx • 1829-A2x, C2x, C3x, C4x except C4U, C5x, C6K, C7x, C8x, C9x, CAx, CBx, CCx, CDx, CEx, CFx, CGK, CHx, CJx, CKx, CLx, CMx, CNx, CPK, CQx, CRx, CSx, CTK, CUx, CVx, CWx, CXx • 1829-Jxx • 1829-8xx • 1830-46x, 47x, 48x, 4Fx, 56x, 5Ax, 5Cx, 5Dx, 5Fx • 1830-Axx • 1830-Gxx • 1830-8xx • 1831-48x, 56x, 5Ax, 5Cx • 1831-Axx • 1831-8xx • 1836-2Nx, 2Px, 2Qx, 2Rx, 2Sx, 2Tx, 2Ux • 1836-Axx • 1836-Gxx • 1836-Q2x, Q3x, Q8x, Q9x, QAx, QBx • 2883-2Mx, 2Nx, 2Sx, 2Tx • 2883-8Gx, 8Ex, 8Fx • 2883-ELx, EMx, ENx, EPx, EQx • 2887-22x, 23x, 24x, 25x, 26x, 2Kx, 2Rx, 42x, 43x, 44x, 45x, 46x, 49x, 52x, 53x, 54x, 55x, 56x, 57x, 58x, 59x, 5Ax, 5Bx, 5Cx, 5Dx, 5Ex, 5Fx, 5Gx, 5Hx, 5Jx, 5Kx, 5Lx, 5Mx, 5Nx • 2887-83x, 84x, 85x, 86x, 87x, 89x, 8Ax, 8Bx, 8Mx, 8Nx, 8Px, 8Qx, 92x, 93x, 94x, 95x, 96x, 97x, 98x, 99x, 9Ax, 9Bx, 9Cx, 9Dx, 9Ex, 9Fx, 9Gx, 9Hx, 9Jx, 9Kx, 9Lx, 9Mx, 9Ux, 9Vx • 2887-Exx, Fxx • 2888-47x, 4Ax, 5Px, 5Qx, 5Rx • 2888-8Hx, 8Rx, 9Nx, 9Px, 9Qx, 9Rx, 9Sx, 9Tx • 2888-Exx, Fxx • 2889-48x • 2889-8Kx, 8Sx • 2889-Exx, Fxx • 2894-48x • 2895-48x 	13N5177	N

(continued)

No.	FRU	P/N	CRU ID
6	Inverter card, XGA <ul style="list-style-type: none"> • 1829-28x, 29x, 43x, 44x, 4Ax, 4Hx, 52x, 53x, 54x, 55x, 56x, 57x, 58x, 59x, 5Bx, 5Gx, 5Hx, 5Jx, 5Lx, 5Mx • 1829-A2x, C2x, C3x, C4x except C4U, C5x, C6K, C7x, C8x, C9x, CAx, CBx, CCx, CDx, CEx, CFx, CGK, CHx, CJx, CKx, CLx, CMx, CNx, CPK, CQx, CRx, CSx, CTK, CUx, CVx, CWx, CXx • 1829-Jxx • 1829-8xx • 1830-46x, 47x, 48x, 4Fx, 56x, 5Ax, 5Cx, 5Dx, 5Fx • 1830-Axx • 1830-Gxx • 1830-8xx • 1831-48x, 56x, 5Ax, 5Cx • 1831-Axx • 1831-8xx • 1836-2Nx, 2Px, 2Qx, 2Rx, 2Sx, 2Tx, 2Ux • 1836-Axx • 1836-Gxx • 1836-Q2x, Q3x, Q8x, Q9x, QAx, QBx • 2883-2Mx, 2Nx, 2Sx, 2Tx • 2883-8Gx, 8Ex, 8Fx • 2883-ELx, EMx, ENx, EPx, EQx • 2887-22x, 23x, 24x, 25x, 26x, 2Kx, 2Rx, 42x, 43x, 44x, 45x, 46x, 49x, 52x, 53x, 54x, 55x, 56x, 57x, 58x, 59x, 5Ax, 5Bx, 5Cx, 5Dx, 5Ex, 5Fx, 5Gx, 5Hx, 5Jx, 5Kx, 5Lx, 5Mx, 5Nx • 2887-83x, 84x, 85x, 86x, 87x, 89x, 8Ax, 8Bx, 8Mx, 8Nx, 8Px, 8Qx, 92x, 93x, 94x, 95x, 96x, 97x, 98x, 99x, 9Ax, 9Bx, 9Cx, 9Dx, 9Ex, 9Fx, 9Gx, 9Hx, 9Jx, 9Kx, 9Lx, 9Mx, 9Ux, 9Vx • 2887-Exx, Fxx • 2888-47x, 4Ax, 5Px, 5Qx, 5Rx • 2888-8Hx, 8Rx, 9Nx, 9Px, 9Qx, 9Rx, 9Sx, 9Tx • 2888-Exx, Fxx • 2889-48x • 2889-8Kx, 8Sx • 2889-Exx, Fxx • 2894-48x • 2895-48x 	91P7335	N

(continued)

No.	FRU	P/N	CRU ID
7	LCD panel, 14.1-in. XGA <ul style="list-style-type: none"> • 1829-28x, 29x, 43x, 44x, 4Ax, 4Hx, 52x, 53x, 54x, 55x, 56x, 57x, 58x, 59x, 5Bx, 5Gx, 5Hx, 5Jx, 5Lx, 5Mx • 1829-A2x, C2x, C3x, C4x except C4U, C5x, C6x, C7x, C8x, C9x, CAx, CBx, CCx, CDx, CEx, CFx, CGx, CHx, CJx, CKx, CLx, CMx, CNx, CPx, CQx, CRx, CSx, CTx, CUx, CVx, CWx, CXx • 1829-Jxx • 1829-8xx • 1830-46x, 47x, 48x, 4Fx, 56x, 5Ax, 5Cx, 5Dx, 5Fx • 1830-AAx, ABx, ACx, AEx, AFx, AGx, AHx, AJx, AKx, ALx • 1830-Gxx • 1830-8xx • 1831-48x, 56x, 5Ax, 5Cx • 1831-AHx, AJx • 1831-8xx • 1836-2Nx, 2Px, 2Qx, 2Rx, 2Sx, 2Tx, 2Ux • 1836-A3x, A4x, A5x • 1836-Gxx • 1836-Q2x, Q3x, Q8x, Q9x, QAx, QBx 		
	CMO	92P6675	N
	SAMSUNG 440	92P6717	N
	SAMSUNG	11P8352	N
	LCD panel, 14.1-in. XGA <ul style="list-style-type: none"> • 2883-2Mx, 2Nx, 2Sx, 2Tx • 2883-8Gx, 8Ex, 8Fx • 2883-ELx, EMx, ENx, EPx, EQx • 2887-22x, 23x, 24x, 25x, 26x, 2Kx, 2Rx, 42x, 43x, 44x, 45x, 46x, 49x, 52x, 53x, 54x, 55x, 56x, 57x, 58x, 59x, 5Ax, 5Bx, 5Cx, 5Dx, 5Ex, 5Fx, 5Gx, 5Hx, 5Jx, 5Kx, 5Lx, 5Mx, 5Nx • 2887-83x, 84x, 85x, 86x, 87x, 89x, 8Ax, 8Bx, 8Mx, 8Nx, 8Px, 8Qx, 92x, 93x, 94x, 95x, 96x, 97x, 98x, 99x, 9Ax, 9Bx, 9Cx, 9Dx, 9Ex, 9Fx, 9Gx, 9Hx, 9Jx, 9Kx, 9Lx, 9Mx, 9Ux, 9Vx • 2887-Exx, Fxx • 2888-47x, 4Ax, 5Px, 5Qx, 5Rx • 2888-8Hx, 8Rx, 9Nx, 9Px, 9Qx, 9Rx, 9Sx, 9Tx • 2888-Exx, Fxx • 2889-48x • 2889-8Kx, 8Sx • 2889-Exx, Fxx • 2894-48x • 2895-48x 		
	SAMSUNG	11P8352	N
	HYDIS	92P6745	N
8	Clear plate for R50 series	13N5180	N
	Clear plate for R51 series	13R2634	N

15.0-in. XGA TFT

No.	FRU	P/N	CRU ID
<i>k- n</i>	See "Miscellaneous parts" on page 265.		
1	LCD cover kit, 15.0-in. (WW) <ul style="list-style-type: none"> • 1829-33x, 35x, 36x, 37x, 63x, 68x, 6Ax, 6Bx, 6Dx • 1829-6Yx; 6Zx; B2x; B3x; C4U; Dxx except D7K, D8K, DFK, DHK, DPK • 1829-Kxx • 1829-Pxx • 1830-67x, 6Bx, 6Fx, 6Hx • 1830-Bxx except BQU, BRGx, BSA, BUU • 1830-H2x, H3x, H4x, H5x • 1830-Fxx, Pxx • 1831-6Fx • 1831-Bxx except BRG, BUU • 1831-HHx • 1831-Fxx, Pxx • 1836-3Nx, 3Px, 3Qx, 3Rx • 1836-B8U, BAU • 1836-H7x, HBx, HCx, HDx • 1836-Q4x, QCx, QDx, QEx, QFx • 1840-6Ex • 1841-6Ex • 2883-2Px, 2Qx, 2Ux, 2Vx • 2883-AKx, ALx, AMx, ARx • 2883-Gxx • 2887-27x, 28x, 29x, 2Ax, 2Bx, 2Lx, 62x, 63x, 64x, 65x, 67x, 72x, 73x, 74x, 75x, 76x, 77x, 78x, 79x, 7Ax, 7Bx, 7Cx, 7Dx, 7Ex, 7Fx, 7Gx, 7Hx • 2887-A2x, A3x, A4x, A5x, A6x, A8x, A9x, AAx, ABx, ACx, ADx, AEx, AFx, AGx, AHx, AQx, B2x, B3x, B4x, B5x, B6x, B7x, B8x, B9x, BAx, BBx, BCx, BDx, BEx, BFx, BGx, BHx, BJx, BKx, BLx, BMx, BNx, BPx • 2887-Gxx, Hxx, Mxx • 2888-68x, 69x, 7Jx • 2888-ASx, BQx • 2888-Gxx, Hxx, Mxx • 2889-ATx • 2889-Hxx, Mxx 	13R2667	N

(continued)

Parts list

No.	FRU	P/N	CRU ID
2	Hinges, 15.0-in. • 1829-33x, 35x, 36x, 37x, 63x, 68x, 6Ax, 6Bx, 6Dx • 1829-6Yx, 6Zx, B2x, B3x, C4U, Dxx • 1829-Kxx • 1829-Pxx • 1830-67x, 6Bx, 6Fx, 6Hx • 1830-Bxx except BQU, BRGx, BSA, BUU • 1830-H2x, H3x, H4x, H5x • 1830-Fxx, Pxx • 1831-6Fx • 1831-Bxx except BRG, BUU • 1831-HHx • 1831-Fxx, Pxx • 1836-3Nx, 3Px, 3Qx, 3Rx • 1836-B8U, BAU • 1836-H7x, HBx, HCx, HDx • 1836-Q4x, QCx, QDx, QEx, QFx • 1840-6Ex • 1841-6Ex • 2883-2Px, 2Qx, 2Ux, 2Vx • 2883-AKx, ALx, AMx, ARx • 2883-Gxx • 2887-27x, 28x, 29x, 2Ax, 2Bx, 2Lx, 62x, 63x, 64x, 65x, 67x, 72x, 73x, 74x, 75x, 76x, 77x, 78x, 79x, 7Ax, 7Bx, 7Cx, 7Dx, 7Ex, 7Fx, 7Gx, 7Hx • 2887-A2x, A3x, A4x, A5x, A6x, A8x, A9x, AAx, ABx, ACx, ADx, AEx, AFx, AGx, AHx, AQx, B2x, B3x, B4x, B5x, B6x, B7x, B8x, B9x, BAx, BBx, BCx, BDx, BEx, BFx, BGx, BHx, BJx, BKx, BLx, BMx, BNx, BPx • 2887-Gxx, Hxx, Mxx • 2888-68x, 69x, 7Jx • 2888-ASx, BQx • 2888-Gxx, Hxx, Mxx • 2889-ATx • 2889-Hxx, Mxx	13N5176	N

(continued)

No.	FRU	P/N	CRU ID
3	LCD cable assembly, 15.0-in. XGA <ul style="list-style-type: none"> • 1829-33x, 35x, 36x, 37x, 63x, 68x, 6Ax, 6Bx, 6Dx • 1829-6Yx, 6Zx, B2x, B3x, C4x, Dxx • 1829-Kxx • 1829-Pxx • 1830-67x, 6Bx, 6Fx, 6Hx • 1830-Bxx except BQU, BRG, BSA, BUU • 1830-H2x, H3x, H4x, H5x • 1830-Fxx, Pxx • 1831-6Fx • 1831-Bxx except BRG, BUU • 1831-HHx • 1831-Fxx, Pxx • 1836-3xU • 1836-B8x, BAx • 1836-H7x, HBx, HCx, HDx • 1836-Q4x, QCx, QDx, QEx, QFx • 1840-6Ex • 1841-6Ex • 2883-2Px, 2Qx, 2Ux, 2Vx • 2883-AKx, ALx, AMx, ARx • 2883-Gxx • 2887-27x, 28x, 29x, 2Ax, 2Bx, 2Lx, 62x, 63x, 64x, 65x, 67x, 72x, 73x, 74x, 75x, 76x, 77x, 78x, 79x, 7Ax, 7Bx, 7Cx, 7Dx, 7Ex, 7Fx, 7Gx, 7Hx • 2887-A2x, A3x, A4x, A5x, A6x, A8x, A9x, AAx, ABx, ACx, ADx, AEx, AFx, AGx, AHx, AQx, B2x, B3x, B4x, B5x, B6x, B7x, B8x, B9x, BAx, BBx, BCx, BDx, BEx, BFx, BGx, BHx, BJx, BKx, BLx, BMx, BNx, BPx • 2887-Gxx, Hxx, Mxx • 2888-68x, 69x, 7Jx • 2888-ASx, BQx • 2888-Gxx, Hxx, Mxx • 2889-ATx • 2889-Hxx, Mxx 	91P6826	N
4	Available only for models with 15.0-in. SXGA+ LCD		

(continued)

Parts list

No.	FRU	P/N	CRU ID
5	802.11a/b/g antenna, 15.0-in. • 1829-33x, 35x, 36x, 37x, 63x, 68x, 6Ax, 6Bx, 6Dx • 1829-6Yx, 6Zx, B2x, B3x, C4x, Dxx • 1829-Kxx • 1829-Pxx • 1830-67x, 6Bx, 6Fx, 6Hx • 1830-Bxx except BQU, BRG, BSA, BUU • 1830-H2x, H3x, H4x, H5x • 1830-Fxx, Pxx • 1831-6Fx • 1831-Bxx except BRG, BUU • 1831-HHx • 1831-Fxx, Pxx • 1836-3xU • 1836-B8x, BAx • 1836-H7x, HBx, HCx, HDx • 1836-Q4x, QCx, QDx, QEx, QFx • 1840-6Ex • 1841-6Ex • 2883-2Px, 2Qx, 2Ux, 2Vx • 2883-AKx, ALx, AMx, ARx • 2883-Gxx • 2887-27x, 28x, 29x, 2Ax, 2Bx, 2Lx, 62x, 63x, 64x, 65x, 67x, 72x, 73x, 74x, 75x, 76x, 77x, 78x, 79x, 7Ax, 7Bx, 7Cx, 7Dx, 7Ex, 7Fx, 7Gx, 7Hx • 2887-A2x, A3x, A4x, A5x, A6x, A8x, A9x, AAx, ABx, ACx, ADx, AEx, AFx, AGx, AHx, AQx, B2x, B3x, B4x, B5x, B6x, B7x, B8x, B9x, BAx, BBx, BCx, BDx, BEx, BFx, BGx, BHx, BJx, BKx, BLx, BMx, BNx, BPx • 2887-Gxx, Hxx, Mxx • 2888-68x, 69x, 7Jx • 2888-ASx, BQx • 2888-Gxx, Hxx, Mxx • 2889-ATx • 2889-Hxx, Mxx	13N5178	N

(continued)

No.	FRU	P/N	CRU ID
6	Inverter card, XGA <ul style="list-style-type: none"> • 1829-33x, 35x, 36x, 37x, 63x, 68x, 6Ax, 6Bx, 6Dx • 1829-6Yx, 6Zx, B2x, B3x, C4x, Dxx • 1829-Kxx • 1829-Pxx • 1830-67x, 6Bx, 6Fx, 6Hx • 1830-Bxx except BQU, BRG, BSA, BUU • 1830-H2x, H3x, H4x, H5x • 1830-Fxx, Pxx • 1831-6Fx • 1831-Bxx except BRG, BUU • 1831-HHx • 1831-Fxx, Pxx • 1836-3xU • 1836-B8x, BAx • 1836-H7x, HBx, HCx, HDx • 1836-Q4x, QCx, QDx, QEx, QFx • 1840-6Ex • 1841-6Ex • 2883-2Px, 2Qx, 2Ux, 2Vx • 2883-AKx, ALx, AMx, ARx • 2883-Gxx • 2887-27x, 28x, 29x, 2Ax, 2Bx, 2Lx, 62x, 63x, 64x, 65x, 67x, 72x, 73x, 74x, 75x, 76x, 77x, 78x, 79x, 7Ax, 7Bx, 7Cx, 7Dx, 7Ex, 7Fx, 7Gx, 7Hx • 2887-A2x, A3x, A4x, A5x, A6x, A8x, A9x, AAx, ABx, ACx, ADx, AEx, AFx, AGx, AHx, AQx, B2x, B3x, B4x, B5x, B6x, B7x, B8x, B9x, BAx, BBx, BCx, BDx, BEx, BFx, BGx, BHx, BJx, BKx, BLx, BMx, BNx, BPx • 2887-Gxx, Hxx, Mxx • 2888-68x, 69x, 7Jx • 2888-ASx, BQx • 2888-Gxx, Hxx, Mxx • 2889-ATx • 2889-Hxx, Mxx 	91P7335	N

(continued)

No.	FRU	P/N	CRU ID
7	LCD panel, 15.0-in. XGA <ul style="list-style-type: none"> • 1829-33x, 35x, 36x, 37x, 63x, 68x, 6Ax, 6Bx, 6Dx • 1829-6Yx, 6Zx, B2x, B3x, C4U, Dxx • 1829-Kxx • 1829-Pxx • 1830-67x, 6Bx, 6Fx, 6Hx • 1830-Bxx except BQU, BRG, BSA, BUU • 1830-H2x, H3x, H4x, H5x • 1830-Fxx, Pxx • 1831-6Fx • 1831-Bxx except BRG, BUU • 1831-HHx • 1831-Fxx, Pxx • 1836-3Nx, 3Px, 3Qx, 3Rx • 1836-B8x, BAx • 1836-H7x, HBx, HCx, HDx • 1836-Q4x, QCx, QDx, QEx, QFx • 1840-6Ex • 1841-6Ex • 2883-2Px, 2Qx, 2Ux, 2Vx • 2883-AKx, ALx, AMx, ARx • 2883-Gxx • 2887-27x, 28x, 29x, 2Ax, 2Bx, 2Lx, 62x, 63x, 64x, 65x, 67x, 72x, 73x, 74x, 75x, 76x, 77x, 78x, 79x, 7Ax, 7Bx, 7Cx, 7Dx, 7Ex, 7Fx, 7Gx, 7Hx • 2887-A2x, A3x, A4x, A5x, A6x, A8x, A9x, AAx, ABx, ACx, ADx, AEx, AFx, AGx, AHx, AQx, B2x, B3x, B4x, B5x, B6x, B7x, B8x, B9x, BAx, BBx, BCx, BDx, BEx, BFx, BGx, BHx, BJx, BKx, BLx, BMx, BNx, BPx • 2887-Gxx, Hxx, Mxx • 2888-68x, 69x, 7Jx • 2888-ASx, BQx • 2888-Gxx, Hxx, Mxx • 2889-ATx • 2889-Hxx, Mxx 		
	SAMSUNG	92P6678	N
	LG	92P6679	N
8	Clear plate for R50 series	13N5180	N
	Clear plate for R51 series	13R2634	N

15.0-in. SXGA+ IPS TFT

No.	FRU	P/N	CRU ID
<i>k- n</i>	See "Miscellaneous parts" on page 265.		
1	LCD cover kit, 15.0-in. (WW) <ul style="list-style-type: none"> • 1829-38x, 39x, 3Ax, 3Bx, 3Cx, 3Dx, 3Ex, 3Fx, 72x, 73x, 74x, 75x, 76x, 77x, 78x, 79x, 7Ax, 7Dx, 7Ex, 7Fx, 7Hx, 7Jx, 7Kx, 7Lx, 7Mx, 7Px • 1829-7Yx, 7Zx, B4x, B5x, B6x, B7x, Exx • 1829-9xx • 1830-7Bx, 7Cx, 7Dx, 7Gx, 7Nx • 1830-BQU, BRG, BSA, BUU • 1830-9xx • 1831-7Cx • 1831-BRG, BUU • 1831-9xx • 1836-3Sx, 3Tx, 3Ux • 1836-B9x, BBx, BCx, BDx • 1836-Q5x, Q6x, Q7x, QGx, QHx, QJx, QKx, QLx 	13R2667	N
2	Hinges, 15.0-in. <ul style="list-style-type: none"> • 1829-38x, 39x, 3Ax, 3Bx, 3Cx, 3Dx, 3Ex, 3Fx, 72x, 73x, 74x, 75x, 76x, 77x, 78x, 79x, 7Ax, 7Dx, 7Ex, 7Fx, 7Hx, 7Jx, 7Kx, 7Lx, 7Mx, 7Px • 1829-7Yx, 7Zx, B4x, B5x, B6x, B7x, Exx • 1829-9xx • 1830-7Bx, 7Cx, 7Dx, 7Gx, 7Nx • 1830-BQU, BRG, BSA, BUU • 1830-9xx • 1831-7Cx • 1831-BRG, BUU • 1831-9xx • 1836-3Sx, 3Tx, 3Ux • 1836-B9x, BBx, BCx, BDx • 1836-Q5x, Q6x, Q7x, QGx, QHx, QJx, QKx, QLx 	13N5176	N

(continued)

Parts list

No.	FRU	P/N	CRU ID
3	LCD cable assembly, 15.0-in. SXGA+ <ul style="list-style-type: none"> • 1829-38x, 39x, 3Ax, 3Bx, 3Cx, 3Dx, 3Ex, 3Fx, 72x, 73x, 74x, 75x, 76x, 77x, 78x, 79x, 7Ax, 7Dx, 7Ex, 7Fx, 7Hx, 7Jx, 7Kx, 7Lx, 7Mx, 7Px • 1829-7Yx, 7Zx, B4x, B5x, B6x, B7x, Exx • 1829-9xx • 1830-7Bx, 7Cx, 7Dx, 7Gx, 7Nx • 1830-BQU, BRG, BSA, BUU • 1830-9xx • 1831-7Cx • 1831-BRG, BUU • 1831-9xx • 1836-3Sx, 3Tx, 3Ux • 1836-B9x, BBx, BCx, BDx • 1836-Q5x, Q6x, Q7x, QGx, QHx, QJx, QKx, QLx 	91P6827	N
4	Bluetooth wireless antenna, 15.0-in. <ul style="list-style-type: none"> • 1829-38x, 39x, 3Ax, 3Bx, 3Cx, 3Dx, 3Ex, 3Fx, 72x, 73x, 74x, 75x, 76x, 77x, 78x, 79x, 7Ax, 7Dx, 7Ex, 7Fx, 7Hx, 7Jx, 7Kx, 7Lx, 7Mx, 7Px • 1829-7Yx, 7Zx, B4x, B5x, B6x, B7x, Exx • 1829-9xx • 1830-7Bx, 7Cx, 7Dx, 7Gx, 7Nx • 1830-BQU, BRG, BSA, BUU • 1830-9xx • 1831-7Cx • 1831-BRG, BUU • 1831-9xx • 1836-3Sx, 3Tx, 3Ux • 1836-B9x, BBx, BCx, BDx • 1836-Q5x, Q6x, Q7x, QGx, QHx, QJx, QKx, QLx 	13N5179	N

(continued)

No.	FRU	P/N	CRU ID
5	802.11a/b/g antenna, 15.0-in. <ul style="list-style-type: none"> • 1829-38x, 39x, 3Ax, 3Bx, 3Cx, 3Dx, 3Ex, 3Fx, 72x, 73x, 74x, 75x, 76x, 77x, 78x, 79x, 7Ax, 7Dx, 7Ex, 7Fx, 7Hx, 7Jx, 7Kx, 7Lx, 7Mx, 7Px • 1829-7Yx, 7Zx, B4x, B5x, B6x, B7x, Exx • 1829-9xx • 1830-7Bx, 7Cx, 7Dx, 7Gx, 7Nx • 1830-BQU, BRG, BSA, BUU • 1830-9xx • 1831-7Cx • 1831-BRG, BUU • 1831-9xx • 1836-3Sx, 3Tx, 3Ux • 1836-B9x, BBx, BCx, BDx • 1836-Q5x, Q6x, Q7x, QGx, QHx, QJx, QKx, QLx 	13N5178	N
6	Inverter card, SXGA+ /UXGA <ul style="list-style-type: none"> • 1829-38x, 39x, 3Ax, 3Bx, 3Cx, 3Dx, 3Ex, 3Fx, 72x, 73x, 74x, 75x, 76x, 77x, 78x, 79x, 7Ax, 7Dx, 7Ex, 7Fx, 7Hx, 7Jx, 7Kx, 7Lx, 7Mx, 7Px • 1829-7Yx, 7Zx, B4x, B5x, B6x, B7x, Exx • 1829-9xx • 1830-7Bx, 7Cx, 7Dx, 7Gx, 7Nx • 1830-BQU, BRG, BSA, BUU • 1830-9xx • 1831-7Cx • 1831-BRG, BUU • 1831-9xx • 1836-3Sx, 3Tx, 3Ux • 1836-B9x, BBx, BCx, BDx • 1836-Q5x, Q6x, Q7x, QGx, QHx, QJx, QKx, QLx 	91P7336	N

(continued)

Parts list

No.	FRU	P/N	CRU ID
7	LCD panel, 15.0 SXGA+ (ID TECH) <ul style="list-style-type: none"> • 1829-38x, 39x, 3Ax, 3Bx, 3Cx, 3Dx, 3Ex, 3Fx, 72x, 73x, 74x, 75x, 76x, 77x, 78x, 79x, 7Ax, 7Dx, 7Ex, 7Fx, 7Hx, 7Jx, 7Kx, 7Lx, 7Mx, 7Px • 1829-7Yx, 7Zx, B4x, B5x, B6x, B7x, Exx • 1829-9xx • 1830-7Bx, 7Cx, 7Dx, 7Gx, 7Nx • 1830-BQU, BRG, BSA, BUU • 1830-9xx • 1831-7Cx • 1831-BRG, BUU • 1831-9xx • 1836-3Sx, 3Tx, 3Ux • 1836-B9x, BBx, BCx, BDx • 1836-Q5x, Q6x, Q7x, QGx, QHx, QJx, QKx, QLx 	92P6680	N
8	Clear plate for R50 series	13N5180	N
	Clear plate for R51 series	13R2634	N

15.0-in. UXGA IPS TFT

No.	FRU	P/N	CRU ID
<i>k- n</i>	See "Miscellaneous parts" on page 265.		
1	LCD cover kit, 15.0-in. (WW) • 1832-22x, 23x, 24x, 25x, 27x, 28x • 1833-22x, 23x, 24x, 25x, 27x, 28x	13N5173	N
2	Hinges, 15.0-in. • 1832-22x, 23x, 24x, 25x, 26x, 27x, 28x • 1833-22x, 23x, 24x, 25x, 26x, 27x, 28x	13N5176	N
3	LCD cable assembly 15.0 UXGA • 1832-22x, 23x, 24x, 25x, 26x, 27x, 28x • 1833-22x, 23x, 24x, 25x, 26x, 27x, 28x	91P6836	N
4	<i>Bluetooth</i> wireless antenna, 15.0-in. • 1832-22x, 23x, 24x, 25x, 26x, 27x, 28x • 1833-22x, 23x, 24x, 25x, 26x, 27x, 28x	13N5179	N
5	802.11a/b/g antenna, 15.0-in. • 1832-22x, 23x, 24x, 25x, 26x, 27x, 28x • 1833-22x, 23x, 24x, 25x, 26x, 27x, 28x	13N5178	N
6	Inverter card, SXGA+/UXGA	91P7336	N
7	LCD panel, 15.0 UXGA (ID TECH) • 1832-22x, 23x, 24x, 25x, 26x, 27x, 28x • 1833-22x, 23x, 24x, 25x, 26x, 27x, 28x	92P6683	N
8	Clear plate • 1832-22x, 23x, 24x, 25x, 26x, 27x, 28x • 1833-22x, 23x, 24x, 25x, 26x, 27x, 28x	13N5638	N

15.0-in. QXGA IPS TFT

No.	FRU	P/N	CRU ID
<i>k- n</i>	See "Miscellaneous parts" on page 265.		
1	LCD cover kit, 15.0-in. (WW) • Supported by CTO	13N5173	N
2	Hinges, 15.0-in. QXGA • Supported by CTO	13N5637	N
3	LCD cable assembly 15.0 QXGA • Supported by CTO	91P6837	N
4	<i>Bluetooth</i> wireless antenna, 15.0-in. • Supported by CTO	13N5179	N
5	802.11a/b/g antenna, 15.0-in. • Supported by CTO	13N5178	N
6	Inverter card, QXGA • Supported by CTO	91P7339	N
7	LCD panel, 15.0 QXGA (ID TECH) • Supported by CTO	92P6684	N
8	Clear plate • Supported by CTO	13N5638	N

AC adapters

FRU	P/N	CRU ID
3-pin (72W) slim adapter for PFC model (models xxA, xxB, xxC, xxG, xxH, xxK, xxM, xxV)		
ASTECC OP	08K8203	*
DELTA OP	08K8207	*
SANKEN OP	08K8211	*
2-pin (72W) slim adapter for non-PFC model (models xxE, xxF, xxJ, xxP, xxS, xxU, xxY)		
ASTECC OP	08K8205	*
DELTA OP	08K8209	*
SANKEN OP	08K8213	*

Keyboard

Table 1. Keyboards for 15.0-in. LCD models

Language	P/N (NMB)	P/N (ALPS)	CRU ID
Arabic	93P4801	93P4861	**
Belgian	93P4796	93P4856	
Chinese, Traditional	93P4798	93P4858	
Czech	93P4802	93P4862	
Danish	93P4789	93P4849	
Dutch	93P4786	93P4846	
English, U.K.	93P4782	93P4842	
English, U.S.	93P4780	93P4840	
English, U.S., International	91P9248	—	
French, Canadian	93P4783	93P4843	
French, Canadian 058	93P4809	93P4869	
French, European	93P4785	93P4845	
German	93P4784	93P4844	
Greek	93P4804	93P4864	
Hungarian	93P4803	93P4863	
Hebrew	93P4800	93P4860	
Italian	93P4790	93P4850	
Japanese	93P4781	93P4841	
Korean	93P4795	93P4855	
Norwegian	93P4788	93P4848	
Polish	93P4806	93P4866	
Portuguese	93P4793	93P4853	
Russian	93P4799	93P4859	
Slovak	93P4805	93P4865	
Slovenian	93P4807	93P4867	
Spanish, European	93P4791	93P4851	
Spanish, Latin American	93P4794	93P4854	
Swedish or Finnish	93P4787	93P4847	
Swiss	93P4792	93P4852	
Thai	93P4808	93P4868	
Turkish	93P4797	93P4857	

Table 2. Keyboards for 14.1-in. LCD models

Language	P/N (NMB)	CRU ID
Arabic	08K5065	**
Belgian	08K5060	
Chinese, Traditional	08K5062	
Czech	08K5066	
Danish	08K5053	
Dutch	08K5050	
English, U.K.	08K5046	
English, U.S.	08K5044	
French, Canadian	08K5047	
French, European	08K5049	
German	08K5048	
Greek	08K5068	
Hungarian	08K5067	
Hebrew	93P4711	
Italian	08K5054	
Japanese	08K5045	
Korean	08K5059	
Norwegian	08K5052	
Polish	08K5070	
Portuguese	08K5057	
Russian	08K5063	
Slovak	08K5069	
Slovenian	08K5071	
Spanish, European	08K5055	
Spanish, Latin American	08K5058	
Swedish or Finnish	08K5051	
Swiss	08K5056	
Turkish	08K5061	

Recovery CDs

For Windows XP Professional (R50/R50p series)

Windows XP Professional is preinstalled as the operating system in the following models:

- 1829-4Gx, 4Hx, 54x, 56x, 58x, 5Hx, 63x, 68x, 6Ax, 6Bx, 6Dx, 72x, 73x, 74x, 77x, 7Ax, 7Dx, 7Ex, 7Fx, 7Hx, 7Jx, 7Lx, 7Mx
- 1830-46x, 47x, 48x, 4Fx, 56x, 5Ax, 5Cx, 5Dx, 5Fx, 67x, 6Bx, 6Fx, 7Bx, 7Cx, 7Dx, 7Gx, 7Mx, 7Nx
- 1831-48x, 56x, 5Ax, 5Cx, 6Fx, 7Cx
- 1832-22x, 23x, 24x, 25x, 26x, 27x, 28x
- 1833-22x, 23x, 24x, 25x, 26x, 27x, 28x, 32x
- 1836-2Nx, 2Px, 2Qx, 2Rx, 2Sx, 2Tx, 2Ux, 3Nx, 3Px, 3Qx, 3Rx, 3Sx, 3Tx, 3Ux
- 1840-6Ex
- 1841-6Ex

Language	P/N	CRU ID
Arabic	24R4557	*
Chinese, Simplified	24R4550	
Chinese, Traditional	24R4551	
Chinese, Traditional (Hong Kong S.A.R.)	24R4552	
Czech	24R4556	
Danish	24R4546	
Dutch	24R4549	
English, U.K.	24R4539	
English, U.S.	24R4538	
Finnish	24R4547	
French	24R4540	
German	24R4541	
Greek	24R4561	
Hebrew	24R4554	
Hungarian	24R4560	
Italian	24R4543	
Japanese	24R4553	
Norwegian	24R4548	
Polish	24R4555	
Portuguese, Brazilian	24R4544	
Russian	24R4558	
Spanish	24R4542	
Swedish	24R4545	
Turkish	24R4559	

For Windows XP Professional (R51 series)

Windows XP Professional is preinstalled as the operating system in the following models:

- 1829-C2x, C4x, C9x, CBx, CCx, CDx, CKx, CMx, CNx, CQx, CRx, D2x, D4x, D5x, D6x, D7x, D8x, DAx, SBx, DCx, DDx, DEx, DGx, DHx, DJx, DKx, DLx, DMx, DQx, DRx, DTx, E2x, E4x, E6x, EKx, EBx, EGx, EHx
- 1829-J3x, J5x, J8x, JBx, JCx, JFx, JJx, JLx, JRx, JSx, K3x, K4x, K5x, K6x, K7x, K8x, KAx, KCx, KDx, KFx, KGx, KHx, KKx, KLx, KMx, KNx, KQx, KRx, KTx, KUx, KWx, KXx, KZx, L2x, L3x, L6x, L7x, L8x, L9x, LBx, LEx, LFx, LHx
- 1829-82x, 83x, 84x, 8Ax, 8Cx, 8Ex, 8Fx, 8Gx, 8Hx, 92x, 93x, 94x, 95x, 96x, 97x, 9Ex, 9Gx, 9Hx, 9Jx, 9Kx, 9Lx, 9Mx, 9Nx, P3x, P4x, P7x, P8x, P9x, PAx, PBx, PCx, PDx, PEx, PFx, PKx, PLx, PMx, PNx, PPx, PQx, PRx, PSx, PTx
- 1830-AAx, ABx, ACx, ADx, AKx, ALx, AFx, BJx, BKx, BLx, BMx, BQx, BRx, BVx
- 1830-G4x, G5x, G7x, G8x, G9x, GAx, H2x, H3x
- 1830-8xx, 9xx, Fxx, Pxx
- 1831-Axx, Bxx
- 1831-HHx
- 1831-8xx, 9xx, Fxx, Pxx
- 1836-A4x, A5x, BAx, BBx, BCx, BDx
- 1836-Gxx, Hxx
- 1836-Q2x, Q3x, Q4x, Q5x, Q6x, Q7x,

Language	P/N	CRU ID
Arabic	24R5467	*
Chinese, Simplified	24R5460	
Chinese, Traditional	24R5461	
Chinese, Traditional (Hong Kong S.A.R.)	24R5462	
Czech	24R5466	
Danish	24R5456	
Dutch	24R5459	
English, U.K.	24R5449	
English, U.S.	24R5448	
Finnish	24R5457	
French	24R5450	
German	24R5451	
Greek	24R5471	
Hebrew	24R5464	
Hungarian	24R5470	
Italian	24R5453	
Japanese	24R5463	
Norwegian	24R5458	
Polish	24R5465	
Portuguese	24R5454	
Russian	24R5468	
Spanish	24R5452	
Swedish	24R5455	
Turkish	24R5469	

Parts list

- 2883-2Nx, 2Qx, 2Xx, 2Yx, 2Zx
- 2883-8Qx, ARx
- 2883-ELx, GHx, GJx, GKx,
- 2887-2Rx, 32x, 42x, 43x, 46x, 49x, 53x, 54x, 55x, 57x, 5Cx, 5Ex, 5Fx, 5Gx, 5Jx, 62x, 63x, 64x, 65x, 72x, 74x, 77x, 7Kx, 7Bx, 7Fx, 7Gx, 7Lx, 7Mx, 7Nx, 7Px, 7Rx
- 2887-83x, 84x, 86x, 89x, 8Ax, 8Mx, 92x, 93x, 98x, 99x, 9Bx, 9Ex, 9Fx, 9Hx, 9Vx, A2x, A3x, A4x, A5x, A6x, A9x, AAx, ABx, ACx, AEx, AFx, AGx, AQx, B3x, B4x, B5x, B7x, B8x, BBx, BEx, BJx, BKx, BMx, BNx
- 2887-E6x, E8x, EBx, ECx, EFx, F3x, F4x, F6x, F7x, F9x, FCx, FEx, FFx, G2x, G5x, G6x, G7x, G8x, G9x, GBx, GCx, H2x, H3x, H4x, H9x, HAx, HBx, HCx, HDx, HEx, HFx, HGx, HMx, HNx, HPx, HTx, HUx, HVx, HYx, HZx, M2x
- 2888-2Rx, 2Wx, 47x, 4Ax, 4Bx, 5Px, 5Rx, 5Vx, 68x, 69x, 6Ax, 7Jx
- 2888-8Hx, 8Rx, 9Nx, 9Qx, 9Sx, 9Tx, ASx, BQx
- 2888-ECx, ESx, ETx, EUx, EVx, EWx, FCx, FGx, FHx, FJx, FLx, FMx, FNx, GQx, GRx, GSx, GTx, H9x, HMx, HNx, HPx, HUx, HYx, HZx, M3x, M5x, M6x, M9x
- 2889-8Kx, 8Sx, ATx
- 2889-ECx, ESx, EVx, EWx, FHx, FNx, HMx, HNx, HPx, HZx, M5x
- 2894-47x
- 2895-47x

Language	P/N	CRU ID
Arabic	24R6235	*
Chinese, Simplified	24R6228	
Chinese, Traditional	24R6229	
Chinese, Traditional (Hong Kong S.A.R.)	24R6230	
Czech	24R6234	
Danish	24R6224	
Dutch	24R6227	
English, U.K.	24R6217	
English, U.S.	24R6216	
Finnish	24R6225	
French	24R6218	
German	24R6219	
Greek	24R6239	
Hebrew	24R6232	
Hungarian	24R6238	
Italian	24R6221	
Japanese	24R6231	
Norwegian	24R6226	
Polish	24R6233	
Portuguese	24R6222	
Russian	24R6236	
Spanish	24R6220	
Swedish	24R6223	
Turkish	24R6237	

For Windows XP Home Edition (R50/R50p series)

Windows XP Home Edition is preinstalled as the operating system in the following models:

- 1829-43x, 44x, 4Ax, 52x, 53x, 55x, 57x, 59x, 5Bx, 5Gx, 5Jx, 5Lx, 5Mx, 75x, 76x, 78x, 79x, 7Kx
- 1829-43x, 44x, 45x, 4Ax, 52x, 53x, 55x, 57x, 59x, 5Bx, 5Gx, 5Jx, 5Lx, 5Mx, 66x, 75x, 76x, 78x, 79x, 7Kx

Language	P/N	CRU ID
Arabic	01R9201	*
Chinese, Simplified	01R9194	
Chinese, Traditional	01R9195	
Chinese, Traditional (Hong Kong S.A.R.)	01R9196	
Czech	01R9200	
Danish	01R9190	
Dutch	01R9193	
English, U.K.	01R9183	
English, U.S.	01R9182	
Finnish	01R9191	
French	01R9184	
German	01R9185	
Greek	01R9205	
Hebrew	01R9198	
Hungarian	01R9204	
Italian	01R9187	
Japanese	01R9197	
Norwegian	01R9192	
Polish	01R9199	
Portuguese	01R9188	
Russian	01R9202	
Spanish	01R9186	
Swedish	01R9189	
Turkish	01R9203	

For Windows XP Home Edition (R51 series)

Windows XP Home Edition is preinstalled as the operating system in the following models:

- 1829-C3x, C5x, C6x, C7x, C8x, CAx, CEx, CFx, CGx, CHx, CJx, CLx, CPx, CSx, CTx, CUx, CVx, CWx, CXx, CYx, CZx, D3x, D9x, DFx, DNx, DPx, DSx, E3x, E5x, E9x, EAx, ECx, EDx, EEx, EFx, EJx
- 1829-J2x, J4x, J6x, J7x, J9x, JAx, JDx, JEx, JGx, JHx, JKx, JNx, JMx, JPx, JQx, JTx, JUx, JVx, K2x, K9x, KBx, KEx, KJx, KPx, KSx, KVx, KYx, L4x, L5x, LAx, LCx, LDx, LGx
- 1829-85x, 86x, 87x, 88x, 89x, 8Bx, 8Dx, 8Jx, 98x, 99x, 9Ax, 9Bx, 9Cx, 9Dx, 9Fx, P2x, P5x, P6x, PGx, PHx, PJx
- 1830-AEx, AGx, BNx, BPx, BSx
- 1830-G2x, G3x, G6x, GBx, H4x, H5x, H6x

Language	P/N	CRU ID
Arabic	24R5659	*
Chinese, Simplified	24R5652	
Chinese, Traditional	24R5653	
Chinese, Traditional (Hong Kong S.A.R.)	24R5654	
Czech	24R5658	
Danish	24R5648	
Dutch	24R5651	
English, U.K.	24R5641	
English, U.S.	24R5640	
Finnish	24R5649	
French	24R5642	
German	24R5643	
Greek	24R5663	
Hebrew	24R5656	
Hungarian	24R5662	
Italian	24R5645	
Japanese	24R5655	
Norwegian	24R5650	
Polish	24R5657	
Portuguese, Brazilian	24R5646	
Russian	24R5660	
Spanish	24R5644	
Swedish	24R5647	
Turkish	24R5661	

Parts list

- 2887-2Kx, 2Lx, 44x, 45x, 52x, 56x, 58x, 59x, 5Ax, 5Bx, 5Dx, 5Hx, 5Kx, 5Mx, 5Nx, 5Sx, 5Tx, 5Ux, 66x, 67x, 73x, 75x, 76x, 7Ax, 7Cx, 7Hx, 7Qx
- 2887-85x, 87x, 8Nx, 8Px, 94x, 95x, 96x, 97x, 9Ax, 9Cx, 9Dx, 9Gx, 9Jx, 9Kx, 9Lx, 9Ux, A8x, ADx, B2x, B6x, B9x, BAx, BCx, BDx, BFx, BGx, BHx, BLx
- 2887-E3x, E4x, E6x, E7x, E9x, EAx, EDx, EEx, EGx, EHx, EJx, F5x, F8x, FAx, FBx, FDx, G4x, GAx, GDx, GEx, GFx, GGx, H6x, H7x, H8x, HHx, HJx, HKx, HLx, HQx, HRx, HSx, HWx, HXx
- 2888-59x
- 2888-9Px, 9Rx

Language	P/N	CRU ID
Arabic	24R6427	*
Chinese, Simplified	24R6420	
Chinese, Traditional	24R6421	
Chinese, Traditional (Hong Kong S.A.R.)	24R6422	
Czech	24R6426	
Danish	24R6416	
Dutch	24R6419	
English, U.K.	24R6409	
English, U.S.	24R6408	
Finnish	24R6417	
French	24R6410	
German	24R6411	
Greek	24R6431	
Hebrew	24R6424	
Hungarian	24R6430	
Italian	24R6413	
Japanese	24R6423	
Norwegian	24R6418	
Polish	24R6425	
Portuguese	24R6414	
Russian	24R6428	
Spanish	24R6412	
Swedish	24R6415	
Turkish	24R6429	

Miscellaneous parts

FRU	P/N	CRU ID
Screw kit (including nylon-coated screws): <ul style="list-style-type: none"> • M2.5 × 4.8 mm (black), bind-head (8) • M2 × 4 mm (black), bind-head (14) • M2 × 6 mm (black), bind-head (4) • M2 × 12 mm (black), flat-head (17) • M2 × 10 mm (black), flat-head (9) • Hex stud (4) • M2 × 18.9 mm, special shape (1) • M3 × 3 mm (PHILLIPS/slotted) (1) • M2 × 3 mm (silver), small flat-head (LCD unit hinge) (8) • Screw caps (not painted) • Screw caps, square • Screw caps, USB • Screw caps, rear, oval 	13N5168	N
Base miscellaneous parts: <ul style="list-style-type: none"> • Cover, PC Card slot • Spring, PC Card slot cover • Rubber foot (rear) • Rubber foot (front) • Insulation, bottom • Insulation sheet • Insulation, louver • Battery lock knob L • Battery lock latch L • Battery lock latch R • Battery lock link • Spring, battery lock • Slide lever • Slide lever spring • Pull lever • Pull lever spring • Puller • Sheet, HDD rubber 15 • Sheet, HDD rubber 14 • HDD shock absorber 14/15 • HDD shock absorber 14 • Security plate • Shield, battery 14 • Shield, battery 15 	13N5166	N

(continued)

Parts list

FRU	P/N	CRU ID
Base miscellaneous parts for 2887, 2888: <ul style="list-style-type: none"> • Cover, PC Card slot • Spring, PC Card slot cover • Rubber foot (rear) • Rubber foot (front) • Insulation, bottom • Insulation sheet • Insulation, louver • Battery lock knob L • Battery lock latch L • Battery lock latch R • Battery lock link • Spring, battery lock • Slide lever • Slide lever spring • Pull lever • Pull lever spring • Puller • HDD rubber 14/15 • Sheet, HDD rubber 15 • Sheet, HDD rubber 14 • HDD rubber 15 • HDD rubber 14 • HDD shock absorber 14/15 • HDD shock absorber 14 • Security plate • Shield, battery 14-CR • Shield, battery 15 	13R2693	N
System board miscellaneous parts: <ul style="list-style-type: none"> • Insulator, PC Card slot • Insulator, louver • Insulator, docking latch • Insulator, docking connector • Insulator, fan • Insulator, Mg • Insulator, hard disk drive • Insulator, CDC • Shield, Al tape (large) • Shield, Al tape (small) • S-video gasket • Form on system board • Insulator, louver, hard disk drive • Stud, triangle • Audio connector bracket • Security chip spacer • Stud, system board 	13N5165	N

(continued)

FRU	P/N	CRU ID
14.1-in. LCD miscellaneous parts: <ul style="list-style-type: none"> • (<i>k</i>) LCD latch assembly, 14 (L) • (<i>l</i>) LCD latch, 14 (R) • (<i>m</i>) Lower cable bush, 14 • (<i>n</i>) Upper cable bush, 14 • Finger, LCD FPC 14 • Screw caps (not painted) • Screw caps, square <p>Note: Italicized letters in parentheses are references to the exploded view on page 236.</p>	13N5169	N
15.0-in. LCD miscellaneous parts: <ul style="list-style-type: none"> • (<i>k</i>) LCD latch assembly, 15 (L) • (<i>l</i>) LCD latch, 15 (R) • (<i>m</i>) Lower cable bush, 15 • (<i>n</i>) Upper cable bush, 15 • LCD FPC tape • Finger, LCD FPC 15 • Screw caps (not painted) • Screw caps, square 	13N5170	N
System miscellaneous parts: <ul style="list-style-type: none"> • (<i>a</i>) Cable, RJ11-docking connector on system board • (<i>e</i>) DC in cable • (<i>i</i>) Bracket, I/O plate 14/15, CR • (<i>h</i>) Bracket structure 14/15 • (<i>b</i>) Antenna cable guide • (<i>c</i>) EMI spring, CDC • Connector bag • Blank cap, IEEE1394 connector • Spacer, IEEE1394 connector, CR • (<i>j</i>) Retainer, LCD cable 14/15, CR • (<i>g</i>) Bracket, VGA connector 14, CR • (<i>g</i>) Bracket, VGA connector 15, CR • (<i>f</i>) Bracket, cable hook • HDD connector retainer, CR • Bracket M7 14, CR • Bracket M7 15, CR • (<i>d</i>) Heatsink M9 14 • (<i>d</i>) Heatsink M9 15, CR • Ferrite core, RH • Ferrite core, LH • Bracket, joint 14, CR • Bracket, joint 15, CR • Cu tape, VGA cable <p>Note: Italicized letters in parentheses are references to the exploded view on page 189.</p>	13R2875	N

(continued)

Parts list

FRU	P/N	CRU ID
<p>System miscellaneous parts for 2887, 2888:</p> <ul style="list-style-type: none"> • (a) Cable, RJ11-docking connector on system board • (b) Antenna cable guide • (c) EMI spring, CDC • (e) DC in cable • (f) Bracket, cable hook • HDD connector retainer-CR • (g) Bracket, VGA connector 14 • (g) Bracket, VGA connector 15 • (h) Bracket structure 14/15 • (i) Bracket, I/O plate 14/15-CR • Connector bag • Blank cap, IEEE1394 connector • Spacer, IEEE1394 connector-CR • (j) Retainer, LCD cable 14/15-CR • Bracket M7 14-CR • Bracket M7 15 • Ferrite core, LH • Bracket, joint 14-CR • Bracket, joint 15-CR • Cu tape, VGA cable <p>Note: Italicized letters in parentheses are references to the exploded view on page 189.</p>	13R2694	N

Optional FRUs

FRU	P/N	CRU ID
128-MB DDR SDRAM SO DIMM (PC2100)	10K0029	*
256-MB DDR SDRAM SO DIMM (PC2100)	10K0031	*
512-MB DDR SDRAM SO DIMM (PC2100)	10K0033	*
1-GB DDR SDRAM SO DIMM (PC2100)	10K0035	*
Ultrabay Enhanced hard disk drive adapter	62P4553	*
Optional adapter for 12.7mm bay	13N5113	*
Ultrabay Enhanced Li Polymer battery (2nd bay battery, 3 cell), SANYO (WW)	08K8191	*
Video cable	27L0531	*
ThinkPad Dock II	67P9010	*
ThinkPad Dock II top cover and screw kit	46P3085	N
ThinkPad Dock II PCI cover	46P3086	*
ThinkPad Mini Dock	67P9011	*
ThinkPad Mini Dock AC adapter (2 pin, 120 W)		*
DELTA	02K7086	
LITEON	02K7092	
ThinkPad Mini Dock AC adapter (3 pin, 120 W)		*
DELTA	02K7094	
LITEON	02K7096	
ThinkPad Port Replicator II	74P6735	*
ThinkPad Slim Drive Adapter for Ultrabay 2000	62P4556	*
Multiple battery charger	02K6642	*
External diskette drive cable	27L0525	*
Diskette drive (TEAC)	08K9606	*
Diskette drive (SONY)	08K9607	*

Common parts list

Tools

Tool	P/N
Triconnector wrap plug	72X8546
PC test card	35G4703
Audio wrap cable	66G5180
USB parallel test cable	05K2580
Screwdriver kit	95F3598
Mini PC tool set	00P7033
Removal tool antenna RF connector	08K7159
ThinkPad Hardware Maintenance Diskette Version 1.71 or later Note: Download the file from the following Web site: http://www.ibm.com/pc/partner/infotips	—

Power cords (system)

An IBM power cord for a specific country or region is usually available only in that country or region:

For 2-pin power cords:

Region	P/N	CRU ID
Canada, U.S.	13H5264	*
Japan	74P4331	
Argentina	36L8870	
Brazil	49P2095	

For 3-pin power cords:

Region	P/N	CRU ID
Australia, New Zealand	76H3514	*
Taiwan, Thailand	76H3516	
Italy	76H3530	
Denmark	76H3520	
U.K., China (Hong Kong S.A.R.)	76H3524	
European countries	76H3518	
India, South Africa	76H3522	
Israel	76H3532	
Korea	76H3535	
China (P.R.C.) (other than Hong Kong S.A.R.)	02K0539	
Switzerland	76H3528	

Power cords (ThinkPad Dock and ThinkPad Dock II)

An IBM power cord for a specific country or region is usually available only in that country or region:

For 3-pin power cords:

Region	P/N	CRU ID
Argentina	36L8868	*
Australia, New Zealand	75H8988	
Brazil	49P2101	
Canada, Thailand, U.S.	75H8989	
Denmark	75H8992	
European countries	75H8990	
India, South Africa	75H8993	
Israel	75H8999	
Italy	75H8998	
Japan	75H8996	
Korea	76H3536	
China (P.R.C.) (other than Hong Kong S.A.R)	02K0540	
Switzerland	75H8997	
U.K.	75H8994	

Notices

References in this publication to IBM products, programs, or services do not imply that IBM intends to make these available in all countries in which IBM operates. Any reference to an IBM product, program, or service is not intended to state or imply that only that IBM product, program, or service may be used. Any functionally equivalent product, program, or service that does not infringe any of the intellectual property rights of IBM may be used instead of the IBM product, program, or service. The evaluation and verification of operation in conjunction with other products, except those expressly designated by IBM, are the responsibility of the user.

IBM may have patents or pending patent applications covering subject matter in this document. The furnishing of this document does not give you any license to these patents. You can send license inquiries, in writing, to the IBM Director of Licensing, IBM Corporation, 500 Columbus Avenue, Thornwood, NY 10594, U.S.A.

Trademarks

The following terms are trademarks of the IBM Corporation in the United States or other countries or both:

- IBM
- IBM (logo)
- Asset ID
- ThinkLight
- ThinkPad
- TrackPoint
- Ultrabay
- UltraNav

Microsoft and Windows are trademarks of Microsoft Corporation in the United States and/or other countries.

Intel, Pentium, and SpeedStep are trademarks of Intel Corporation in the United States and/or other countries. (For a complete list of Intel trademarks, see the legal information on <http://www.intel.com/>)

Other company, product, or service names may be the trademarks or service marks of others.



Part Number: 92P2255

(1P) P/N: 92P2255



Free Manuals Download Website

<http://myh66.com>

<http://usermanuals.us>

<http://www.somanuals.com>

<http://www.4manuals.cc>

<http://www.manual-lib.com>

<http://www.404manual.com>

<http://www.luxmanual.com>

<http://aubethermostatmanual.com>

Golf course search by state

<http://golfingnear.com>

Email search by domain

<http://emailbydomain.com>

Auto manuals search

<http://auto.somanuals.com>

TV manuals search

<http://tv.somanuals.com>