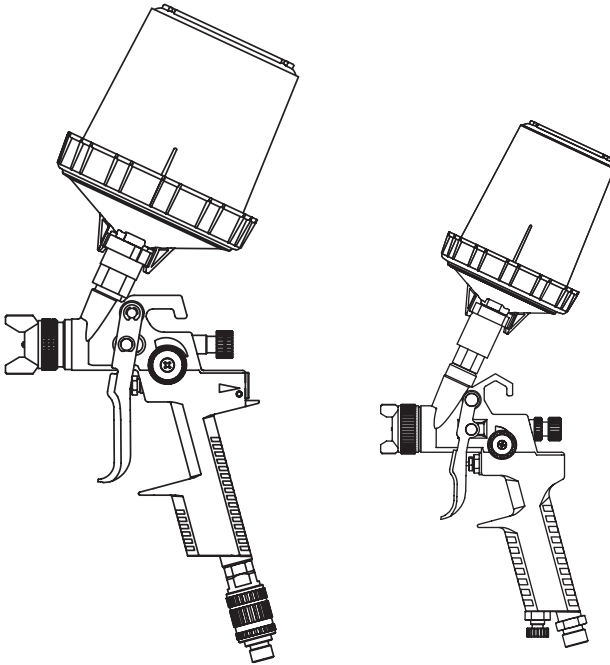

3M™ Series 05 Spray Gun Owner's Manual

Series 05 de 3M™ Pistola aplicadora en spray Manual del Usuario



Read Warnings and Instructions
Lea las Instrucciones y Advertencias

This Manual Covers Spray Gun Models
05-100 and 05-300

Este Manual Cubre los Modelos de Pistolas aplicadora en spray
05-100 y 05-300

CE

3M

Table of Contents

Topic	Page Number
Safety Statements	2
Contents-Unpacking	7
General Set Up and Spray Gun Use	8
Spray Gun Care and Cleaning.....	10
Spray Gun Parts Identification Series 05-100.....	13
Spray Gun Parts Identification Series 05-300.....	15
Needle/Nozzle/Air Cap Selection Guide	17
Troubleshooting	18



3M™ Series 05 Spray Gun Safety Statements


Read, understand and follow all safety information contained in these instructions prior to set up and operation of any 3M™ Spray Gun. Retain these instructions for future reference. Refer to the applicable Material Safety Data Sheet & material container label for each material to be sprayed before using this 3M equipment.

Intended Use:

Each 3M™ Spray Gun is intended for use by professionals who are familiar with the possible applicable safety hazards. They are intended to deliver the desired production speed and finish quality for all commonly used coatings.

The spray gun must be set up as specified in the 3M™ Spray Gun Owner's Manual. It has not been evaluated for other uses.

Explanation of Signal Word Consequences	
 WARNING:	Indicates a hazardous situation, which, if not avoided, could result in death or serious injury.
 CAUTION:	Indicates a hazardous situation, which, if not avoided, could result in minor or moderate injury.

Explanation of Product Safety Label Symbols	
	Attention: Read accompanying documentation

 **WARNING**

To reduce the risks associated with all residual hazards:

- Read, understand, follow and retain for future reference all safety statements in each applicable equipment owner's manual and refer to the applicable Material Safety Data Sheet and material container label for each material to be sprayed before using your 3M equipment.
- This equipment is to be used only by professionals familiar with the possible applicable safety hazards.
- Do not use this product around unsupervised children.
- Never modify any part of this product.
- Always comply with local, state, and national codes governing ventilation, fire protection, operation, maintenance, housekeeping and disposal plus all safety statements in applicable owner manuals, MSDS and material container labels.

To reduce the risks associated with chemical exposure:

- Check spray equipment for damage and proper function. Repair or replace worn, damaged or malfunctioning components.
- Always wear appropriate, approved personal protective equipment for eye, skin, respiratory and hearing protection per the applicable MSDS and material container labels at all times when spraying.

To reduce the risks associated with fire and explosion:

- Must maintain adequate ventilation per applicable MSDS and material container labels for each material being sprayed in the work area.
- All ignition sources such as smoking must be kept out of the spray area.
- Always maintain a readily available, approved fire extinguisher or other approved fire fighting equipment in the spray area.
- Always locate air compressor as far away from spray area as the air supply hoses allow.
- Never use solvents containing Methylene Chloride and Trichloromethane for any reason to avoid a possible violent, explosive chemical reaction when exposed to aluminum or zinc (refer to the manufacturer's MSDS or contact material supplier if there is any doubt to confirm compatibility).

 **CAUTION**

To reduce the risks associated with lifting and handling:

- Always follow proper lifting and handling practices when moving system components.

To reduce the risks associated with tripping, falling and tipping:

- Route air hoses and any extension cords away from traffic areas, sharp edges, moving parts and hot surfaces. Do not pull on air hoses to move the compressor.

To reduce the risks associated with hazardous air pressure:

- Maintain spray equipment per 3M care and cleaning instructions in the applicable owner's manual.
- Ensure air input pressure and all applicator system regulators are properly adjusted per materials recommendations prior to each use.
- Always follow required air pressure relief procedures for relieving air pressure from the unit.

To reduce the risks associated with compression spring release:

- Maintain a firm grip on fluid adjustment knob when removing.

To reduce the risks associated with environmental contamination:

- Spray materials, solvents, other cleaning materials and electronic components must be disposed of per federal, state and local regulations.

EC Declaration of Conformity



Company Name

3M Company

Company Address

Automotive Aftermarket Division
3M Center, Building 251
St Paul, MN USA 55144-1000

Declares that the products:

Product name and/or Model number

3M™ Pressure Feed Spray Guns Series 10, 11, 12S, 12SZ, 14, 15, 19, 19C
3M™ Gravity Feed Spray Guns Series 05-100, 05-300, 07, 07HS, 10G, 10GP

Type and/or Description

Pressure Feed and Gravity Feed Spray Guns

Conforms to the following specifications:

Directives

Machinery Directive (2006/42/EC) and the essential health and safety requirements

Standards

EN ISO 12100-1:2003 Safety of machinery. Basic concepts, general principles for design
– Basic terminology, methodology
EN ISO 12100-2:2003 Safety of machinery. Basic concepts, general principles for design
–Technical principles

Year in which CE mark first affixed

2008

Full Name of responsible person.

Kurt Beinlich

Position: Technical Director

Signature:

Date:

3/25/08

Spray Gun Overview

The 3M™ Series 05 Spray Guns are compliant with HVLP regulations without sacrificing speed of application or finish quality. The 3M™ Series 05 Spray Guns combine HVLP performance with an economical price. With proper use and maintenance, your 3M™ Series 05 Spray Gun will provide long, trouble free life and deliver excellent results.

With an air compressor as your air source, you will benefit from the speed of application, decrease in masking, sanding, cleanup time, and the ability to achieve a fine finish. Combine your 3M spray gun with the 3M™ PPS™ Paint Preparation System and enjoy additional savings of time and cleaning solvents.

3M spray equipment is for professional use only. Hazards can occur from equipment misuse. Any misuse of the equipment or accessories, such as over pressurizing, modifying parts, using incompatible chemicals and fluids, or using worn or damaged parts can cause serious bodily injury, fire, explosion or property damage. **Read and follow all Safety Statements and Instructions.**

Contents

Unpacking

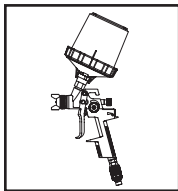
Remove the components from the box. Inspect for concealed damage and/or missing items. If you discover any damage and/or missing pieces, contact your distributor immediately.

Your 3M™ Series 05-100, 05-300 Spray Gun Kit includes:

- 3M™ Series 05 Spray Gun
- Cup
- Care Kit

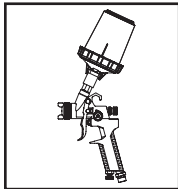
3M™ Series 05-100 Primer Spray Gun

The 3M™ Series 05-100 Primer Spray Gun has an anodized aluminum body construction, 10 cfm air consumption, 4.3:1 reduction ratio, 1/4" air inlet connection and a 43 psi maximum inlet pressure*. This spray gun is for use with compressed air systems only and is economically priced for automotive primers and light general purpose use.



3M™ Series 05-300 Detail Spray Gun

The 3M™ Series 05-300 Detail Spray Gun has a chrome-plated aluminum body construction, 3.5 cfm air consumption, 4.3:1 reduction ratio, 1/4" air inlet connection and a 43 psi maximum inlet pressure*. This spray gun is for use with compressed air systems only and is economically priced for automotive detail and light general purpose touch-ups.

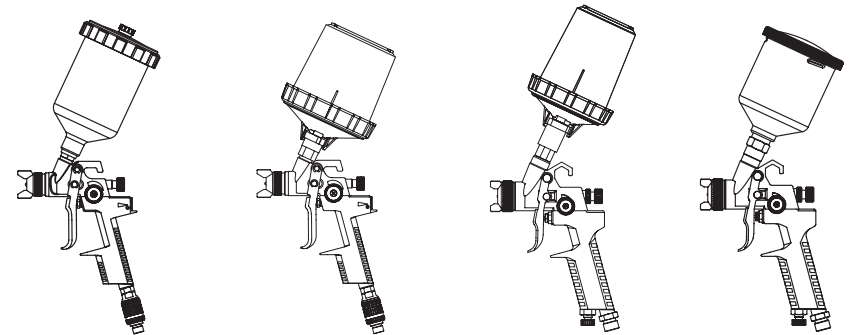


*Maximum inlet pressure will yield approximately 10 psi at the air cap.

General Set Up and Spray Gun Use

For additional instructions refer to your cup or fluid source manual.

Note: Flush the spray gun before using



Air Regulation

The 3M™ Series 05-100 Spray Gun and the 3M™ Series 05-300 Detail Spray Gun packages both include air regulators. 3M™ Series 05-100 Spray Gun has an external detachable regulator while the 3M™ Series 05-300 Detail Spray Gun has an internal regulator. The regulator adjustment knob on the 3M™ Series 05-300 Detail Spray Gun is located at the base of the spray gun handle directly next to the air inlet. Counter-clockwise adjusting will increase airflow, while adjusting clockwise will decrease airflow on either spray gun.

has stopped, further tightening will only serve to compress the spring and will not aid in adjustment. Next turn the knob counter-clockwise two full turns. These adjustment procedures will serve only as a starting point. Fine tuning of these adjustments will be based on your material and technique.

Adjusting Fluid Flow

The fluid flow can be adjusted by using the needle adjustment screw as noted in Fig. 1. As a starting point, gently turn the knob clockwise until you have very little needle travel (pull trigger to verify). Do not over-tighten. After the needle travel

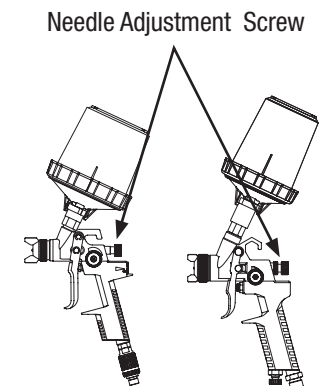


Fig. 1

General Set Up and Spray Gun Use cont.

Adjusting the Fan Pattern Size

The fan size is regulated by using the fan adjustment knob as noted in Fig. 2. As a starting point, gently turn the knob clockwise until you feel no further adjustment. Next, turn the knob counter-clockwise one full rotation. The fan adjustment will allow you to spray from a small round to a full fan pattern. The pattern can also be changed from vertical to horizontal by rotating the air cap a ¼ turn.

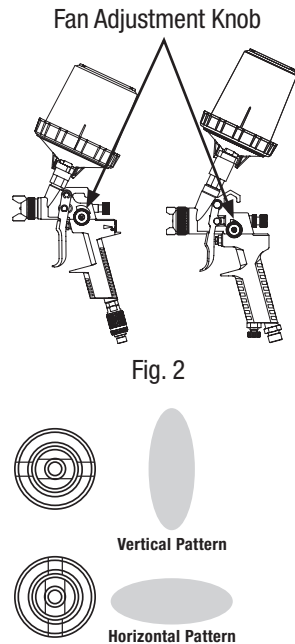
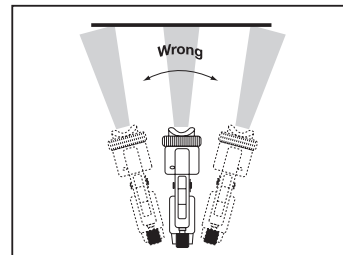


Fig. 2

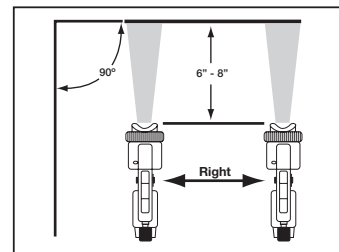
Note: The small round pattern can be achieved by closing down the fan adjustment, triggering the spray gun lightly, and maintaining a distance from your target of 2 to 4 inches (50-100 mm).

Spray Technique

1. To achieve the best results when spraying material, keep the spray gun perpendicular to the surface and maintain a consistent distance of approximately (Series 05-100) 6 to 8 inches (160-200 mm), (Series 05-300) 4 to 6 inches (100-160 mm) from the object being sprayed.
2. Use smooth, even strokes across the surface to be sprayed with 50% over-lap.
3. Paint using parallel strokes. This technique applies all coatings evenly without cross coating.



WRONG



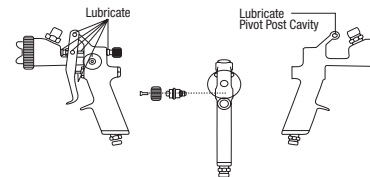
RIGHT

Spray Gun Care and Cleaning

Note: Your spray gun may be made from aluminum and may contain aluminum components. Certain solvents containing Methylene Chloride and Trichloromethane are not chemically compatible with aluminum.

Read, understand and follow all safety statements as well as wear appropriate, approved personal protective equipment per the applicable MSDS and material container labels for cleaning solutions.

You must lubricate the moving components after every cleaning the spray gun. Cleaning washes away the lubricants that protect the friction points. Use an appropriate lubricant such as petroleum jelly.



Do not point the spray gun up while cleaning it.



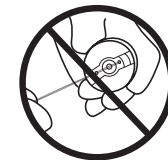
Do not immerse the spray gun in solvent.



Do not wipe the spray gun with a cloth soaked in solvent; ring out the excess.



Do not use metal tools to clean the air cap holes as this may scratch them; scratches can distort the spray pattern.



General System Maintenance

- ✓ Relieve the pressure from the spray gun and cup before servicing.
 1. Turn off the air supply to the spray gun.
 2. Disconnect air line from the spray gun.
 3. When using a 3M™ PPS™ cup, pull the trigger and invert spray gun (fully open, not partially) to return unused material to spray gun cup.

3M

Spray Gun Care and Cleaning cont.

- ✓ Clean the air line filters daily.
- ✓ Check for any fluid leakage from the spray gun and gravity cup.
- ✓ Flush the spray gun before changing colors and when done operating the spray gun.

ATTENTION

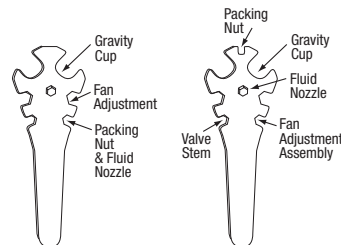
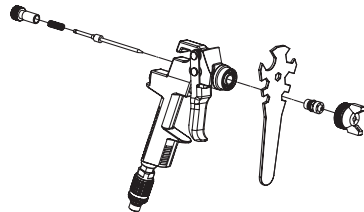
Solvent left in the spray gun air passages could result in a poor quality paint finish. Do not use any cleaning method which may allow solvent into the spray gun air passages. Do not expose air regulators and gauges to solvent as damage may occur.

Cleaning Process

1. Relieve the pressure.
2. Refer to your cup or fluid source manual for removal and cleaning.
3. To retain unused material or temporarily store mixed material see your Local, State, Federal and OSHA guideline, along with material manufacturer's recommendations for storage.
4. Flush the spray gun. (To flush, run water or compatible and compliant solvent into the spray gun fluid passage while triggering the spray gun).
5. Remove the air cap.

6. Unscrew the needle adjustment screw at the rear of the spray gun. Remove the needle adjustment spring. The needle should then be able to be removed from the rear of the spray gun.

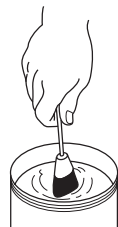
7. Remove the fluid nozzle with the wrench.



Wrench for 05-100 spray gun

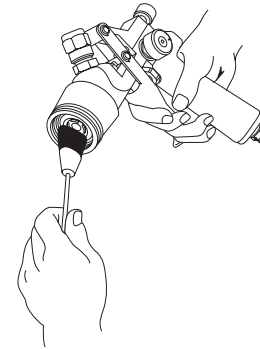
Wrench for 05-300 spray gun

8. Dip the end of a soft-bristle brush into a compatible solvent. Do not continuously soak the brush's bristles with solvent and do not use a wire brush.

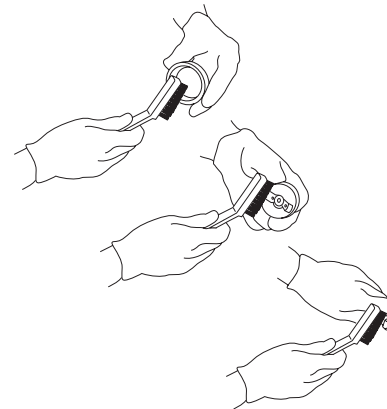


Spray Gun Care and Cleaning cont.

9. With the spray gun pointed down, clean the front of the spray gun, using a soft-bristle brush and solvent.

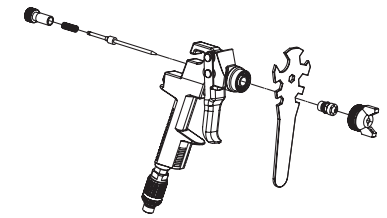


10. Scrub the retaining ring, air cap and fluid nozzle with a soft-bristle brush. To clean out air cap holes, use a small brush. Clean the air cap and fluid nozzle after each use. Do not soak the retaining ring in solvent for prolonged periods of time.

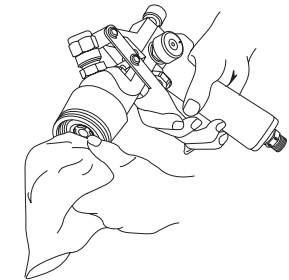


11. Install the fluid nozzle with the wrench. Tighten the fluid nozzle securely to obtain a good seal. Install and tighten air cap.

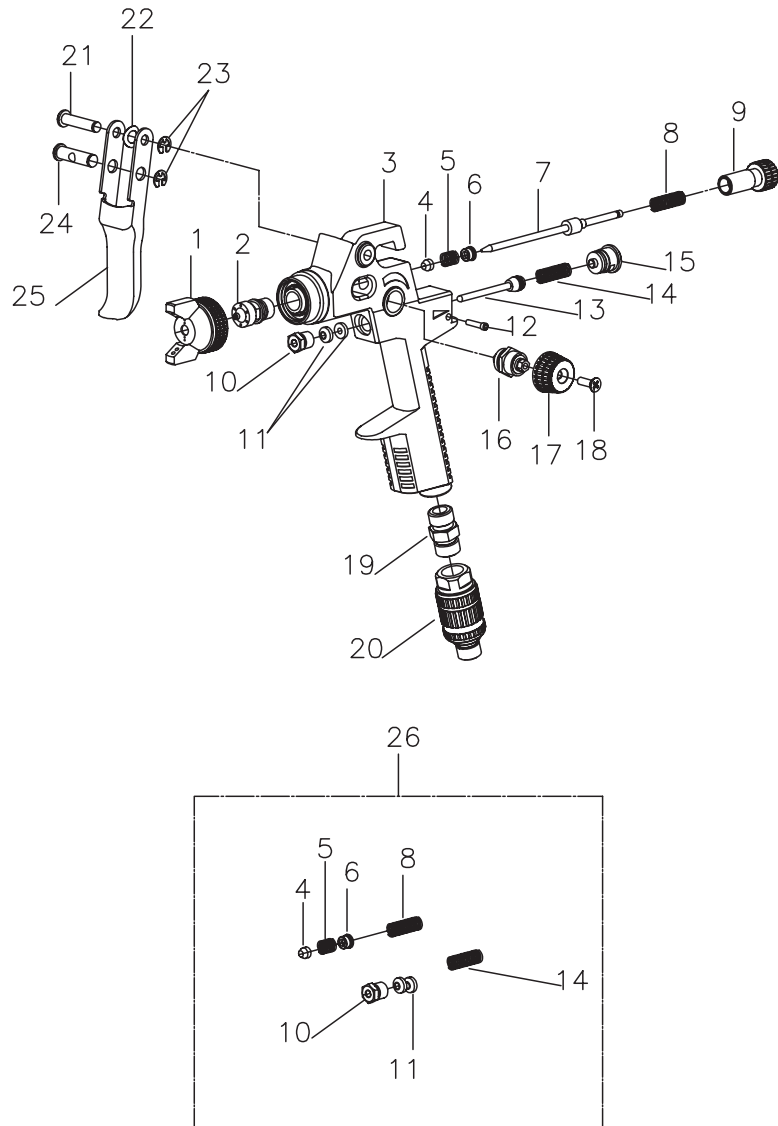
12. Install the fluid needle from the rear of the spray gun. Insert needle adjustment screw and then thread the needle adjustment screw to the desired depth.



13. Dampen a soft cloth with solvent and wring-out the excess. Point the spray gun down and wipe off the outside of the spray gun.



3M™ Series 05-100 Spray Gun Parts Identification



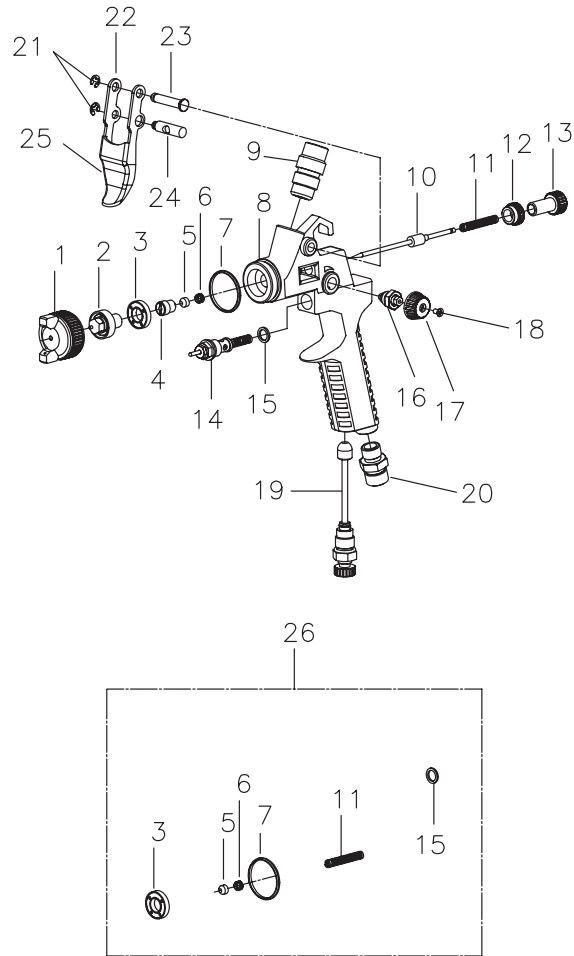
3M™ Series 05-100 Spray Gun Parts Identification

Item	Description	Replacement PN
1	Air Cap	
2	Fluid Nozzle	
3	Spray Gun Handle	
4	Needle Packing	
5	Compression Spring	
6	Packing Nut	
7	Needle	
8	Compression Spring	
9	Needle Adjustment Screw	
10	Seal Nut	
11	Valve Stem Seal	
12	Valve Cap Locking Pin	
13	Valve Stem Assembly	
14	Compression Spring	
15	Valve Cap Assembly	
16	Fan Air Assembly	
17	Fan Air Knob	
18	Screw	
19	Air Inlet Fitting	
20	Air Regulator	97-177
21	Trigger Pivot Pin	
22	Spring Washer	
23	E-Clip	
24	Trigger Pin	
25	Trigger	
26	Spray Gun Maintenance Kit	97-118
	Air Cap and Needle Kit	97-134/X*

* Note: For part numbers with X see page 17



3M™ Series 05-300 Spray Gun Parts Identification



3M™ Series 05-300 Spray Gun Parts Identification

Item	Description	Replacement PN
1	Air Cap	97-240
2	Fluid Nozzle	
3	Fluid Nozzle Gasket	
4	Packing Nut	
5	Needle Packing	
6	Compression Spring	
7	Air Cap Seal	
8	Spray Gun Handle	
9	Needle	
10	Locking Nut	
11	Compression Spring	
12	Needle Adjustment Screw	
13	Seal Nut	
14	Valve Stem Assembly	
15	Valve Stem Knob	
16	Fan Air Assembly	
17	Fan Air Knob	
18	Screw	
19	Air Regulator Assembly	
20	Air Inlet Fitting	
21	E-Clip	
22	Trigger	
23	Trigger Pivot Pin	
24	Trigger Pin	
25	Trigger	
26	Spray Gun Maintenance Kit	97-236
	Needle Kit	97-210/X*

* Note: For part numbers with X see page 17

3M™ Needle/Nozzle/Air Cap Selection Guide

3M™ Series 05-100 Spray Gun

Size	Description	Replacement PN
1.5 mm	Air Cap and Needle Kit	97-134/1.5
1.8 mm	Air Cap and Needle Kit	97-134/1.8
2.0 mm	Air Cap and Needle Kit	97-134/2.0

3M™ Series 05-300 Spray Gun

Size	Description	Replacement PN
0.8 mm	Needle Kit	97-210/0.8
1.0 mm	Needle Kit	97-210/1.0
1.2 mm	Needle Kit	97-210/1.2

Troubleshooting

<i>Problem</i>	<i>Cause</i>	<i>Remedy</i>	
Bad Spray Pattern	Air cap or nozzle clogged	Clean with appropriate solvent	
	Bent fluid needle	Replace fluid needle	
Blistering	Moisture on surface	Clean surface	
	Wrong solvent	Check solvent	
	Coats not compatible	Check material compatibility	
	Insufficient dry time	Longer dry time	
	Surface too cold	Warm surface	
Fish Eyes	Air contamination	Add air filtration	
	Silicone contamination	Clean surface with solvent	
Heavy Middle Pattern	Not enough atomizing pressure	Increase atomizing pressure	
Intermittent Pulsating Spray	Worn or loose packing	Tighten or replace	
	Low fluid in cup or pot	Add fluid	
Insufficient Fluid Flow	Fluid nozzle too small	Use larger needle/nozzle	
Coarse or Lumpy Surface	Dirt or dust on surface	Tack wipe before spray	
	Material is contaminated	Change or strain	
Mottled Looking Surface	Coating too thin	Use less thinner	
	Coats too wet	Use less thinner	
	Improper spray technique	Hold gun perpendicular to work	
No Paint Flow	Clogged fluid nozzle	Clean fluid nozzle	
	Loss of air pressure	Check cup gasket	
	Loss of fluid	Out of paint	
	Clogged air passage	Clean with solvent	
Orange Peel	Paint drying too fast	Use proper solvent	
	Gun too far from target	6-8 (160-200 mm) inches for Series 05-100	
		4-6 (100-160 mm) inches for Series 05-300	
Viscosity too high	Reduce with solvent		
Overspray is Excessive	Gun too far from target	6-8 (160-200 mm) inches for Series 05-100	
		4-6 (100-160 mm) inches for Series 05-300	
	Too much atomizing air for coating being sprayed	Reduce atomizing air	
Pin-Holing, Solvent Pops	Trapped solvent	Apply lighter coats	
	Improper solvent	Check coating manufacturer	
	System contaminated	Clean all parts	
Paint Leak	Wrong needle size	Replace	
	Damaged-worn needle	Replace	
	Loose fluid nozzle	Tighten or replace	
	Worn/loose packing nut	Tighten or replace	
	Needle not closing	Packing too tight	
		Broken or missing needle spring	
		Dried paint on needle	
Tilted gun	Do not tilt while spraying		



Spray Equipment Warranty and Limited Remedy

3M™ warrants to the original purchaser that, when used in accordance with 3M's written instructions, 3M spray equipment will be free of defects in materials and manufacture for one year from the date of purchase. This warranty does not apply to damage or malfunction caused by normal wear, failure to maintain, or by any abuse, accident, tampering, alteration, or misuse of the spray equipment.

To make a claim under the warranty, you must first contact the 3M Service Center at 1-877-MMM-CARS to receive a return authorization number. Spray equipment must be returned, freight prepaid by the purchaser, to the service location address given by the 3M Service Center. Upon validation of the warranty claim, 3M will replace or repair the spray equipment, at 3M's option, and return it to the purchaser at 3M's expense, including parts, labor and return shipping charges. If it is determined that the claim is not covered by the warranty, the purchaser will be given the option to have the spray equipment repaired outside of the warranty. An estimate of parts and labor will be provided by 3M and must be approved by the purchaser in advance.

Except as written above, 3M MAKES NO OTHER EXPRESS OR IMPLIED WARRANTIES OR CONDITIONS, INCLUDING BUT NOT LIMITED TO ANY IMPLIED WARRANTY OR CONDITION OF MERCHANTABILITY OR FITNESS FOR A PARTICULAR PURPOSE. The purchaser is responsible for determining whether the 3M spray equipment is fit for any particular purpose intended.

Limitation of Liability: The remedies set forth above are exclusive. Except where prohibited by law, 3M and any seller of the spray equipment will not be liable for any loss or damage arising from or related to the use or inability to use this product, whether direct, indirect, special, incidental or consequential, regardless of the legal theory or basis of liability asserted.

Note: Invoice is required for return authorization number and to determine warranty eligibility.

Contact Information

TO PLACE AN ORDER, contact your 3M Sales Representative or Distributor, or call this number:
1-877-MMM-CARS
(1-877-666-2277)
www.3M.com

All written and visual data contained in this document reflects the latest product information available at the time of publication.
3M reserves the right to make changes at any time without notice.

PRINTED IN U.S.A. ©3M 2009. All rights reserved.

3M, Accuspray and PPS are trademarks of 3M Company.

Tabla de Contenidos

	Número de Página del Tema
Medidas de Seguridad	21
Contenidos-Desempaque.....	26
Instalación y Uso General del Pistola aplicadora en spray.....	27
Cuidado y Limpieza del Pistola aplicadora en spray.....	29
Identificación de Piezas de Pistolas aplicadora en spray Series 05-100.....	32
Identificación de Piezas de Pistolas aplicadora en spray Series 05-300.....	34
Guía de Selección de la Aguja/Boquilla/Tapa del Aire.....	36
Solución de problemas	37



Medidas de Seguridad del Pistola aplicadora en spray Serie 05 de 3M™


Lea, comprenda y cumpla toda la información de seguridad contenida en estas instrucciones antes del armado y operación de cualquier Pistola aplicadora en spray de 3M™. Conserve estas instrucciones como referencia futura. Remítase a la Hoja de Datos de Seguridad de los Materiales y a la etiqueta del envase de cada material con el que va a pulverizar antes de utilizar este Equipo de 3M.

Uso Previsto:

Cada Pistola aplicadora en spray de 3M™ está diseñado para ser utilizado por profesionales que ya estén familiarizados con los posibles peligros de seguridad correspondientes. Están diseñados para brindar velocidad de producción y calidad de acabado deseados para todos los revestimientos comúnmente utilizados.

El Pistola aplicadora en spray debe armarse según se especifica en el Manual del Usuario del Pistola aplicadora en spray de 3M™. Este producto no ha sido evaluado para otros usos.

Explicación de las Consecuencias de las Advertencias de Peligro	
 ADVERTENCIA:	Indica una situación peligrosa, la cual, si no se evita, podría ocasionar la muerte o lesiones graves.
 PRECAUCIÓN:	Indica una situación peligrosa, la cual, si no se evita, podría ocasionar lesiones leves o moderadas.

Explicación de los Símbolos de la Etiqueta de Seguridad del Producto	
	Atención: Lea la documentación adjunta

ADVERTENCIA

Para reducir los riesgos asociados con todos los peligros residuales:

- Lea, comprenda, cumpla y guarde, para referencia futura, todas las medidas de seguridad contenidas en cada manual del usuario del equipo correspondiente y remítase a la MSDS (Hoja de Datos de Seguridad de los Materiales) y a la etiqueta del envase de cada material con el que va a pulverizar antes de utilizar su equipo de 3M™.
- Este equipo está diseñado para ser utilizado por profesionales que ya estén familiarizados con los posibles peligros de seguridad correspondientes.
- No utilice este producto cerca de niños sin supervisión.
- Nunca modifique ninguna de las piezas de este producto.
- Siempre cumpla con los códigos locales, estatales y nacionales que regulan la ventilación, protección de incendios, funcionamiento, mantenimiento, administración y desecho, además de todas las medidas de seguridad dispuestas en los manuales de usuarios, MSDS y etiquetas de los envases de los materiales correspondientes.

Para reducir el riesgo vinculado con la exposición a las sustancias químicas:

- Chequee el equipo Pistola aplicadora en spray para verificar los daños y el funcionamiento apropiado. Repare o reemplace los componentes gastados, dañados o que funcionen mal.
- Use siempre el equipo de protección personal apropiado y aprobado para ojos, piel, protección respiratoria y auditiva de acuerdo a cada MSDS y a las etiquetas de los envases de los materiales correspondientes durante todo el tiempo que esté pulverizando.

Para reducir los riesgos vinculados con incendios y explosiones:

- Se debe mantener la ventilación adecuada de acuerdo a cada MSDS correspondiente y a cada etiqueta del envase de los materiales con los que se pulveriza en el área de trabajo.
- Todas las fuentes de ignición, tales como fumar, deben mantenerse alejadas del área de pulverización.
- Siempre guarde un extintor de incendios aprobado y a mano, o cualquier otro equipo aprobado, para apagar incendios en el área de pulverización.
- Siempre ubique el compresor de aire tan alejado del área de pulverización como lo permita la manguera del suministro de aire.
- Nunca, por ninguna razón utilice solventes que contengan Cloruro de Metileno y Triclorometano para poder evitar una posible reacción química explosiva y violenta al estar expuestos al aluminio o al zinc (remítase a la MSDS del fabricante o contáctese con el proveedor de materiales si tuviese alguna duda en cuanto a la confirmación de su compatibilidad).

⚠ PRECAUCIÓN

Para reducir los riesgos vinculados con levantar y manipular el producto:

- Siempre siga las prácticas seguras para levantar y manipular objetos al trasladar los componentes del sistema.

Para reducir los riesgos vinculados con tropiezos, caídas y resbalones:

- Coloque todas las mangueras de aire y cables de extensión lejos de las áreas de tránsito, bordes cortantes, piezas móviles y superficies calientes. No jale de las mangueras de aire para mover el compresor.

Para reducir los riesgos vinculados con la presión de aire peligrosa:

- Mantenga el equipo Pistola aplicadora en spray de acuerdo a las instrucciones de cuidado y limpieza del manual del usuario de 3M correspondiente.
- Asegúrese de que la presión de entrada del aire y todos los reguladores del sistema del aplicador estén debidamente calibrados de acuerdo a las recomendaciones de los materiales antes de cada uso.
- Siga los procedimientos requeridos de despresurización para aliviar la presión del aire de la unidad.

Para reducir los riesgos vinculados con la liberación del resorte de compresión:

- Mantenga una sujeción firme en la perilla de regulación de líquidos al removerlos.

Para reducir los riesgos vinculados con la contaminación ambiental:

- Los materiales de pulverización, solventes, otros materiales de limpieza y componentes electrónicos deben desecharse de acuerdo a las reglamentaciones federales, estatales y locales.

Declaración de Conformidad de la Comunidad Europea



Nombre de la Compañía

3M Company

Dirección de la Compañía

Automotive Aftermarket Division
3M Center, Building 251
St Paul, MN USA 55144-1000

Declara que los productos:

Nombre del producto y/o número del Modelo

Serie de Pistolas aplicadora en spray de Alimentación por Presión de 3M™ 10, 11, 12S, 12SZ, 14, 15, 19, 19C

Serie de Pistolas aplicadora en spray de Alimentación por Gravedad de 3M™ 05-100, 05-300, 07, 07HS, 10G, 10GP

Tipo y/o Descripción

Pistolas aplicadora en spray de Alimentación por Gravedad y de Alimentación por Presión

De acuerdo a las siguientes especificaciones:

Directivas

Directiva de la Maquinaria (2006/42/EC) y de los requisitos esenciales de salud y seguridad

Estándares

Seguridad de las Maquinarias EN ISO 12100-1:2003. Conceptos básicos, principios generales para el diseño

- Metodología y terminología básicas

Seguridad de las Maquinarias EN ISO 12100-2:2003. Conceptos básicos, principios generales para el diseño

- Principios técnicos

Año en el que se fijó la primera marca de Conformidad Europea

2008

Nombre Completo de la persona responsable.

Kurt Beinlich

Cargo: Director Técnico

Firma:

Fecha:

3/25/08

Generalidades del Pistola aplicadora en spray

Los Pistolas aplicadora en spray Serie 05 de 3M™ cumplen con las reglamentaciones HVLP (Alto Volumen Baja Presión) sin sacrificar la velocidad de la aplicación ni la calidad del acabado. Los Pistolas aplicadora en spray Serie 05 de 3M™ combinan el desempeño HVLP con un precio económico. Con el uso y mantenimiento adecuados, su Pistola aplicadora en spray Serie 05 de 3M™ le brindará una larga vida útil sin inconvenientes y con excelentes resultados.

Con un compresor de aire como fuente de aire, se beneficiará de la velocidad de la aplicación, reducción en el enmascaramiento, tiempo de limpieza y la capacidad de lograr un fino acabado. Combine su Pistola aplicadora en spray de 3M con el Sistema de Preparación de Pintura PPS™ de 3M™ y disfrute de los adicionales ahorros de tiempo y solventes de limpieza.

El equipo de 3M es sólo de uso profesional. Es posible que se corra peligro si no se utiliza el equipo apropiadamente. Todo uso indebido del equipo o de los accesorios, tales como la sobrepresurización, modificación de piezas, uso incompatible de líquidos y sustancias químicas o el uso de piezas gastadas o dañadas pueden ocasionar serias lesiones corporales, incendios, explosiones o daños materiales. **Lea y cumpla con todas las Instrucciones y Medidas de Seguridad.**

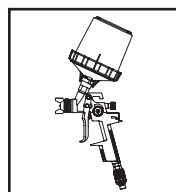
Contenido

Desempaque

Extraiga los componentes de la caja. Inspeccione que no existan daños ocultos ni/o artículos faltantes. Si descubriera cualquier daño y/o piezas faltantes, contáctese con su distribuidor inmediatamente.

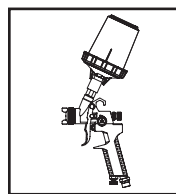
Su Kit Pistola aplicadora en spray Serie 05-100 y 05-300 de 3M™ incluye:

- Pistola aplicadora en spray Serie 05 de 3M™
- Tazón
- Kit de Cuidados



Pistola aplicadora en spray Imprimador Serie 05-100 de 3M™

El Pistola aplicadora en spray Imprimador Serie 05-100 de 3M™ presenta un armazón de aluminio anodizado, consumo de aire de 10 cfm, escala de reducción de 4.3:1, conexión de admisión de aire de 1/4" y presión máxima de admisión de 43 psi*. Este Pistola aplicadora en spray se usa con sistemas de aire comprimido solamente, con un precio económico para los imprimadores de automóviles y de uso de propósito general liviano.



Pistola aplicadora en spray de Detalles Serie 05-300 de 3M™

El Pistola aplicadora en spray de Detalles Serie 05-300 de 3M™ tiene un armazón de aluminio cromado, consumo de aire de 3,5 cfm, escala de reducción de 4.3:1, conexión de admisión de aire de 1/4" y presión máxima de admisión de 43 psi*. Este Pistola aplicadora en spray se usa con sistemas de aire comprimido solamente, con un precio económico para detalles automotrices y retoques de propósito general livianos.

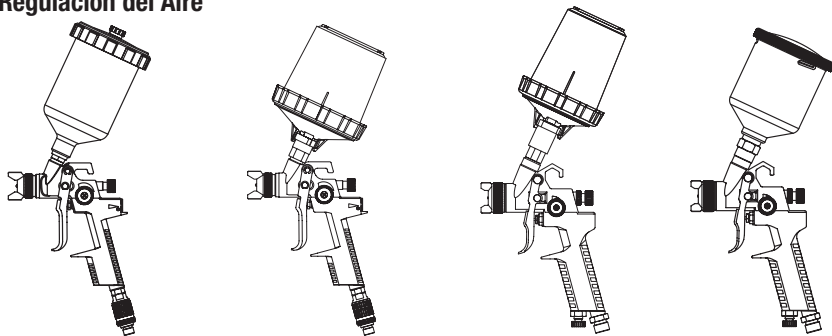
*La presión máxima de admisión producirá aproximadamente 10 psi en la tapa del aire.

Instalación y Uso General del Pistola aplicadora en spray

Para obtener mayores instrucciones remítase a su manual de fuente de líquidos o tazón.

Nota: Purgue el Pistola aplicadora en spray antes de usarlo

Regulación del Aire



Los paquetes de Pistolas aplicadora en spray Serie 05-100 de 3M™ y Pistolas aplicadora en spray de Detalles Serie 05-300 de 3M™ incluyen reguladores de aire. El Pistola aplicadora en spray Serie 05-100 cuenta con un regulador externo desmontable y el Pistola aplicadora en spray de Detalles Serie 05-300 de 3M™ posee un regulador interno. Pistola aplicadora en spray Serie 05-100 de 3M™ La perilla de ajuste del regulador en el Pistola aplicadora en spray de Detalles Serie 05-300 de 3M™ está ubicada en la base de la manija del Pistola aplicadora en spray, directamente cerca de la admisión de aire.

Al ajustar la perilla hacia la izquierda, se incrementará el flujo de aire, mientras que al ajustarla hacia la derecha se reducirá el flujo de aire en cualquiera de los Pistolas aplicadora en spray.

Ajuste de Flujo de Líquidos

El flujo de líquidos se puede ajustar utilizando el tornillo de ajuste de la aguja como se muestra en la Fig. 1.

Fig. 1. Como punto inicial, gire gentilmente la perilla hacia la derecha hasta que la aguja se corra muy

levemente (oprima el gatillo para verificarlo). No apriete demasiado. Después de que se haya detenido el recorrido de la aguja, un mayor apretamiento sólo servirá para comprimir el resorte pero no ayudará en la regulación. Seguidamente, gire la perilla hacia la izquierda con dos giros completos. Estos procedimientos de ajuste sólo servirán como punto de partida. La puesta a punto de estos ajustes se basará en su propio material y técnica.

Tornillo de Ajuste de la Aguja

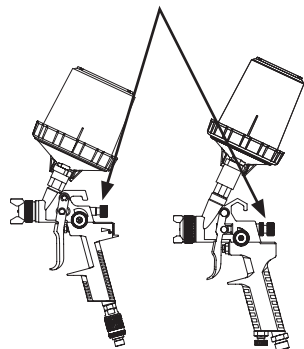


Fig. 1

Instalación y Uso General del Pistola aplicadora en spray Cont.

Ajuste de la Medida del Patrón de Distribución

El tamaño de distribución se regula utilizando la perilla de ajuste de distribución como se muestra en la Fig. 2. Como punto inicial, gire gentilmente la perilla hacia la derecha hasta que sienta que no se ajusta más. Luego, gire la perilla hacia la izquierda en una rotación completa. El ajuste de distribución le permitirá pulverizar desde un patrón pequeño y redondo hasta un patrón de distribución completa. También se puede cambiar el patrón de vertical a horizontal al rotar la tapa del aire ¼ de giro.

Perilla de Ajuste de Distribución

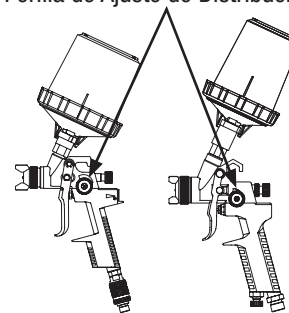
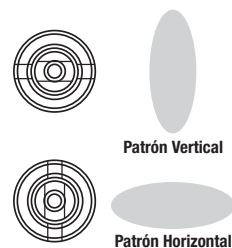


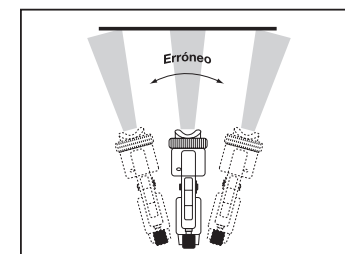
Fig. 2



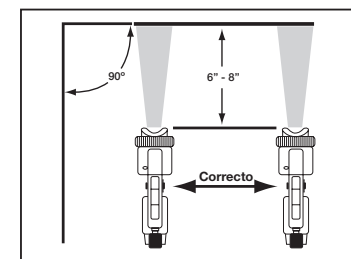
Nota: El patrón pequeño y redondo se logra cerrando el ajuste de distribución, oprimiendo levemente el gatillo del Pistola aplicadora en spray y manteniendo una distancia de 2 a 4 pulgadas (de 50 a 100 mm) del objetivo.

Técnica de Pulverización

1. Para lograr los mejores resultados al pulverizar el material, mantenga el Pistola aplicadora en spray perpendicular a la superficie y a una distancia consistente de aproximadamente 6 a 8 pulgadas (de 160 a 200 mm) (para la Serie 05-100) y de 4 a 6 pulgadas (de 100 a 160mm) (para la Serie 05-300) del objeto que está pulverizando.
2. Utilice descargas suaves y parejas de un lado al otro de la superficie a pulverizar con un 50% de superposición.
3. Pinte utilizando descargas paralelas. Esta técnica se aplica a todas las capas uniformemente sin cruzar las capas.



ERRÓNEO



CORRECTO

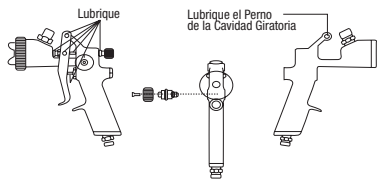
3M

Cuidado y Limpieza del Pistola aplicadora en spray

Nota: Su Pistola aplicadora en spray puede ser de aluminio y puede contener componentes de aluminio. Ciertos solventes que contienen Cloruro de Metileno y Triclorometano no son químicamente compatibles con el aluminio.

Lea, comprenda y cumpla con todas las medidas de seguridad contenidas como así también use el equipo de protección personal adecuado y aprobado para las MSDS y las etiquetas de los envases de las soluciones de limpieza correspondientes.

Debe lubricar los componentes móviles después de cada limpieza del Pistola aplicadora en spray. Al limpiar se remueven los lubricantes que protegen los puntos de fricción. Use un lubricante apropiado tal como vaselina.



No apunte el Pistola aplicadora en spray hacia arriba cuando lo esté limpiando.



No sumerja el Pistola aplicadora en spray en solvente.



No limpie el Pistola aplicadora en spray con un paño empapado en solvente; extraiga el exceso.



No use herramientas de metal para limpiar los orificios de la tapa del aire ya que puede rayarla y las rayas pueden distorsionar el patrón de pulverización.



Mantenimiento General del Sistema

- ✓ Alivie la presión del Pistola aplicadora en spray y tazón antes de reparar.

 1. Apague el suministro de aire del Pistola aplicadora en spray.
 2. Desconecte la línea de aire del Pistola aplicadora en spray.
 3. Al utilizar un tazón PPS™ de 3M™, oprima el gatillo e invierta el Pistola aplicadora en spray (totalmente abierto, no parcialmente) para retornar el material sin usar al tazón del Pistola aplicadora en spray.

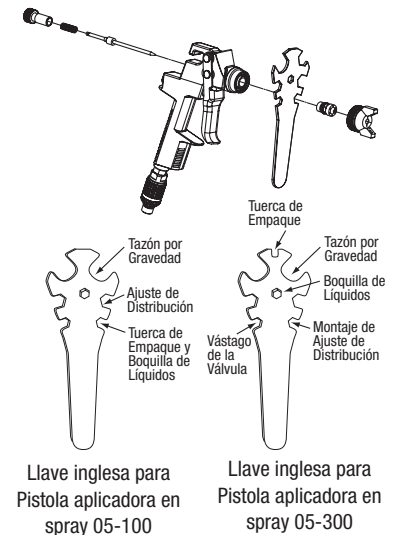
Cuidado y Limpieza del Pistola aplicadora en spray cont.

- ✓ Limpie los filtros de la línea de aire diariamente.
- ✓ Chequee la existencia de fugas de líquidos en el Pistola aplicadora en spray y en el tazón por gravedad.
- ✓ Purgue el Pistola aplicadora en spray antes de cambiar de colores y al finalizar la operación con el Pistola aplicadora en spray.

5. Remueva la tapa del aire.
6. Desenrosque el tornillo de ajuste de la aguja en la parte posterior del Pistola aplicadora en spray. Remueva el resorte de ajuste de la aguja. La aguja entonces podrá ser removida desde la parte posterior del Pistola aplicadora en spray.
7. Remueva la boquilla de líquidos con la llave inglesa.

ATENCIÓN

El solvente que permanece en los pasajes de aire del Pistola aplicadora en spray puede ocasionar una pobre calidad en el acabado de la pintura. No utilice ningún método de limpieza que pueda dejar el solvente dentro de los pasajes de aire del Pistola aplicadora en spray. No exponga los reguladores de aire ni los calibradores a solventes ya que pueden ocasionar daños.



Proceso de Limpieza

1. Alivie la presión.
2. Remítase a su manual de fuentes de líquidos o tazón para la extracción y limpieza.
3. Para retener el material sin usar o guardar temporariamente el material mezclado, consulte las pautas Locales, Estatales, Federales y de OSHA, junto con las recomendaciones del fabricante de los materiales para su almacenamiento.
4. Purgue el Pistola aplicadora en spray. (Para purgar el Pistola aplicadora en spray, deje correr el agua o sustancia compatible y el solvente correspondiente dentro del pasaje de líquidos del Pistola aplicadora en spray al mismo tiempo que oprime el gatillo del Pistola aplicadora en spray).

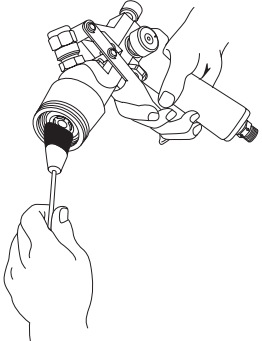
8. Remoje el extremo de un cepillo de cerdas blandas en un solvente compatible. No empape de manera continua las cerdas del cepillo con el solvente ni utilice un cepillo de alambre.



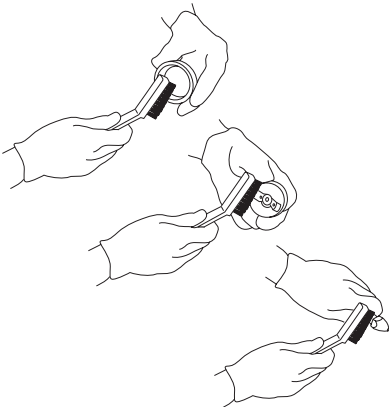
3M

Cuidado y Limpieza del Pistola aplicadora en spray cont.

9. Con el Pistola aplicadora en spray apuntando hacia abajo, limpie el frente del Pistola aplicadora en spray, utilizando un cepillo de cerdas blandas y solvente.

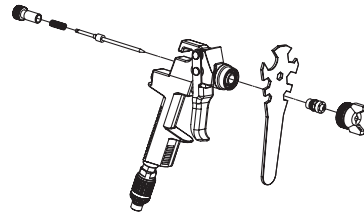


10. Frote el anillo de retención, la tapa del aire y la boquilla de líquidos con un cepillo de cerdas blandas. Para limpiar los orificios de la tapa del aire, utilice un cepillo pequeño. Limpie la tapa del aire y la boquilla de líquidos después de cada uso. No empape el anillo de retención en el solvente durante períodos prolongados de tiempo.

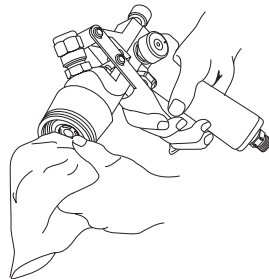


11. Instale la boquilla de líquidos con la llave inglesa. Ajuste la boquilla de líquidos de manera segura para lograr un sello hermético. Instale y ajuste la tapa del aire.

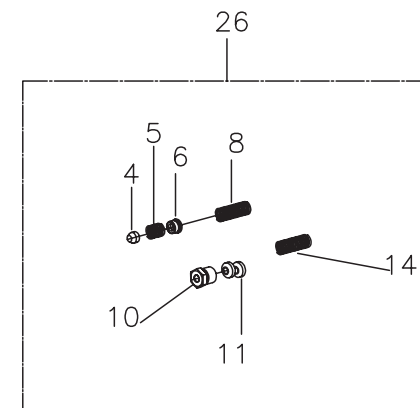
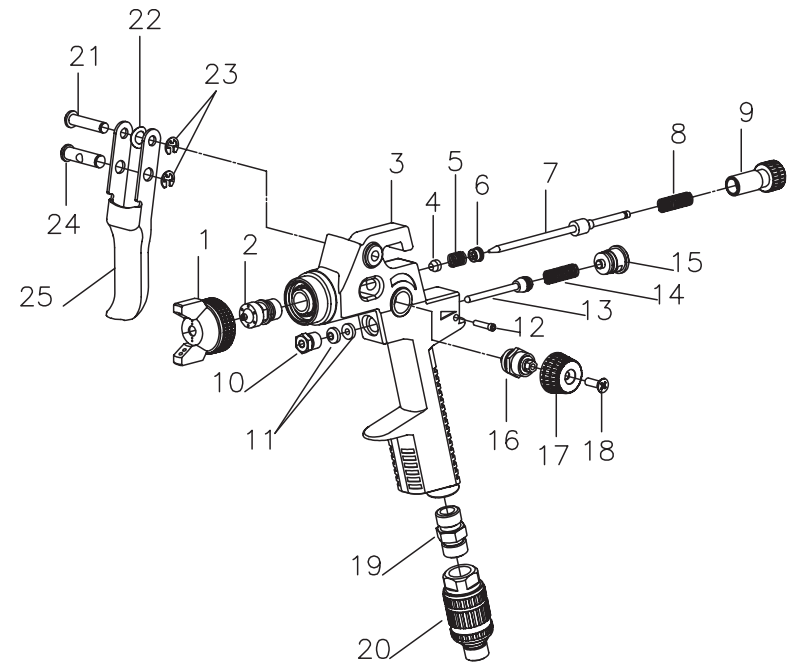
12. Instale la aguja de líquidos desde la parte posterior del Pistola aplicadora en spray. Inserte el tornillo de ajuste de la aguja y luego enrosque el tornillo de ajuste de la aguja a la profundidad deseada.



13. Humedezca un paño suave con solvente y deseche el exceso. Apunte el Pistola aplicadora en spray hacia abajo y limpie el exterior del Pistola aplicadora en spray.



Identificación de las partes del Pistola aplicadora en spray Serie 05-100 de 3M™

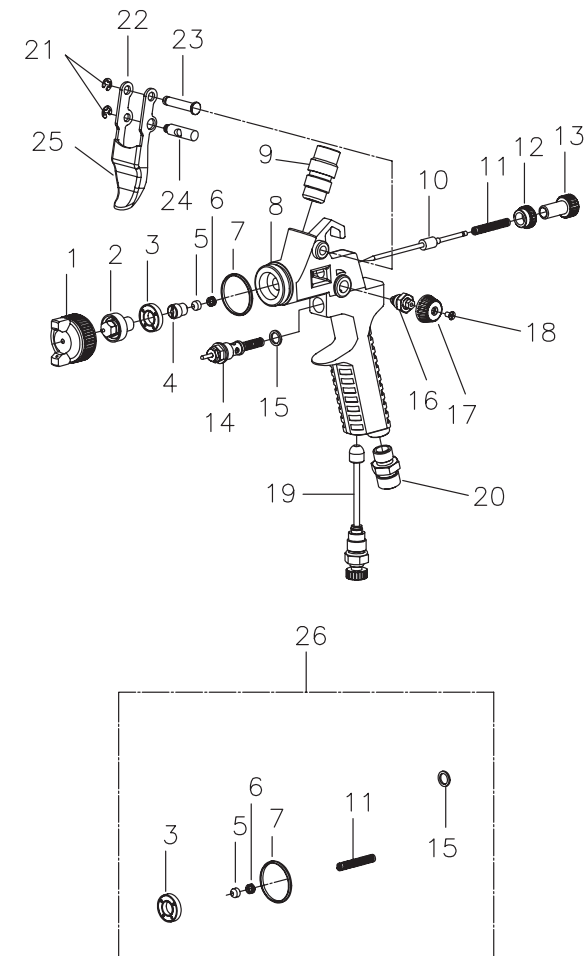


Identificación de las partes del Pistola aplicadora en spray Serie 05-100 de 3M™

Artículo	Descripción	PN Repuesto
1	Tapa del Aire	
2	Boquilla de Líquidos	
3	Manija del Pistola aplicadora en spray	
4	Empaque de la Aguja	
5	Resorte de Compresión	
6	Tuerca de Empaque	
7	Aguja	
8	Resorte de Compresión	
9	Tornillo de Ajuste de la Aguja	
10	Tuerca del Sello	
11	Sello del Vástago de la Válvula	
12	Traba de la Tapa de la Válvula	
13	Montaje del Vástago de la Válvula	
14	Resorte de Compresión	
15	Montaje de la Tapa de la Válvula	
16	Montaje de la Distribución del Aire	
17	Perilla de Distribución de Aire	
18	Tornillo	
19	Adaptador de la Admisión del Aire	
20	Regulador del Aire	97-177
21	Clavija Giratoria del Gatillo	
22	Arandela de Resorte	
23	Sujetador E	
24	Clavija del Gatillo	
25	Gatillo	
26	Kit de Mantenimiento del Pistola aplicadora en spray	97-118
	Kit de Tapa del Aire y Aguja	97-134/X*

* Nota: Para los números de las piezas con X consulte la página 36

Identificación de Piezas del Pistola aplicadora en spray Serie 05-300 de 3M™



Identificación de Piezas del Pistola aplicadora en spray Serie

05-300 de 3M™

Artículo	Descripción	PN Repuesto
1	Tapa del Aire	97-240
2	Boquilla de Líquidos	
3	Junta de la Boquilla de Líquidos	
4	Tuerca de Empaque	
5	Empaque de la Aguja	
6	Resorte de Compresión	
7	Sello de la Tapa del Aire	
8	Manija del Pistola aplicadora en spray	
9	Aguja	
10	Tuerca de Bloqueo	
11	Resorte de Compresión	
12	Tornillo de Ajuste de la Aguja	
13	Tuerca del Sello	
14	Montaje del Vástago de la Válvula	
15	Perilla del Vástago de la Válvula	
16	Montaje de la Distribución del Aire	
17	Perilla de Distribución de Aire	
18	Tornillo	
19	Montaje del Regulador de Aire	
20	Adaptador de la Admisión del Aire	
21	Sujetador E	
22	Gatillo	
23	Clavija Giratoria del Gatillo	
24	Clavija del Gatillo	
25	Gatillo	
26	Kit de Mantenimiento del Pistola aplicadora en spray	97-236
	Kit de la Aguja	97-210/X*

* Nota: Para los números de las piezas con X consulte la página 36

Guía de Selección de la Tapa del Aire/Boquilla/Punta de 3M™

Pistola aplicadora en spray Serie 05-100 de 3M™

Tamaño	Descripción	PN Repuesto
1,5 mm	Kit de Tapa del Aire y Aguja	97-134/1.5
1,8 mm	Kit de Tapa del Aire y Aguja	97-134/1.8
2,0 mm	Kit de Tapa del Aire y Aguja	97-134/2.0

Pistola aplicadora en spray Serie 05-300 de 3M™

Tamaño	Descripción	PN Repuesto
0,8 mm	Kit de Aguja	97-210/0.8
1,0 mm	Kit de Aguja	97-210/1.0
1,2 mm	Kit de Aguja	97-210/1.2

Solución de problemas

<i>Problema</i>	<i>Causa</i>	<i>Remedio</i>
Mal Patrón de Pulverización	Tapa del aire o boquilla atascada	Limpie con el solvente apropiado
	Aguja de líquidos doblada	Reemplace la aguja de líquidos
Ampollamiento	Humedad en la superficie	Limpie la superficie
	Solvente equivocado	Chequee el solvente
	Capas no compatibles	Chequee la compatibilidad de los materiales
	Insuficiente tiempo de secado	Tiempo de secado más prolongado
Ampollas	Superficie demasiado fría	Entibie la Superficie
	Contaminación del aire	Agregar filtración de aire
Patrón Recargado en el Medio	Contaminación de siliconas	Limpie la superficie con un solvente
	Insuficiente presión atomizadora	Incrementa la presión atomizadora
Pulverización Pulsante Intermitente	Empaque gastado o flojo	Ajuste o reemplace
	Líquido bajo en el tazón o recipiente	Agregue líquido
Insuficiente Flujo de Líquidos	Boquilla de líquidos demasiado pequeña	Utilice una boquilla/aguja más grand
Superficie Áspera/Grumosa	Suciedad o polvo sobre la superficie	Limpie bien antes de pulverizar
	El material está contaminado	Cámbielo o fíltrelo
Superficie de Apariencia Moteada	Recubrimiento demasiado fino	Utilice menos diluyente
	Capas demasiado mojadas	Utilice menos diluyente
	Técnica de pulverización inadecuada	Sostenga el Pistola aplicadora en spray perpendicular a la superficie de trabajo
Sin Flujo de Pintura	Boquilla de líquidos atascada	Limpie la boquilla de líquidos
	Pérdida de presión del aire	Chequee la junta del tazón
	Pérdida del líquido	Sin pintura
	Pasaie de aire atascado	Limpie con solvente
Piel de Naranja	La pintura seca demasiado rápido	Utilice el solvente apropiado
	Pistola aplicadora en spray demasiado lejos del objetivo	Serie 05-100 de 6 a 8 pulgadas (160-200 mm) Serie 05-300 de 4 a 6 pulgadas (100-160 mm)
	Viscosidad demasiado alta	Redúzcala con solvente
Exceso de rocío en la pulverización	Pistola aplicadora en spray demasiado lejos del objetivo	Serie 05-100 de 6 a 8 pulgadas (160-200 mm) Serie 05-300 de 4 a 6 pulgadas (100-160 mm)
	Demasiado aire atomizador para las capas que se están pulverizando	Reduzca el aire atomizador

Solución de problemas

<i>Problema</i>	<i>Causa</i>	<i>Remedio</i>	
Perforaciones pequeñísimas, el Solvente Revienta	Solvente atascado	Aplique capas más finas	
	Solvente inadecuado	Chequee el fabricante del revestimiento	
	Sistema contaminado	Limpie todas las partes	
La pintura se filtra	Tamaño de la aguja inadecuado	Reemplácela	
	Aguja gastada-dañada	Reemplácela	
	Boquilla de líquidos floja	Ajuste o reemplace	
	Tuerca de empaque gastada/floja	Ajuste o reemplace	
	La aguja no cierra	Empaque demasiado apretado	Resorte de la aguja roto o faltante
		Pintura seca en la aguja	Pintura seca en la aguja
	Pistola aplicadora en spray inclinado	No lo incline mientras pulveriza	

Garantía y Recurso Limitado del Equipo Pistola aplicadora en spray

3M le garantiza al comprador original que, al utilizar el equipo de espray de 3M de acuerdo a las instrucciones escritas de 3M, éste estará libre de defectos en los materiales y en la fabricación por un año a partir de la fecha de compra. Esta garantía no se aplica a daños o mal funcionamientos causados por el desgaste normal, la falta de mantenimiento o cualquier abuso, accidente, falsificación, alteración o uso indebido del equipo de espray.

Para reclamar bajo garantía, Usted debe contactarse primero con el centro de servicios de 3M al 01800 712 25 27 para recibir un número de autorización de devolución. El equipo de espray debe ser devuelto con el flete pre pagado por el comprador hasta la dirección del local del servicio técnico especificada por el centro de servicios de 3M. Ante la validación del reclamo de la garantía, 3M podrá optar por reemplazar o reparar el equipo de espray y se hará cargo de la devolución al comprador, incluyendo las piezas, la mano de obra y los gastos del envío de regreso. Si se determinara que el reclamo no estuviera cubierto por la garantía, el comprador tendrá la opción de hacer reparar el equipo de espray fuera de la garantía. 3M proporcionará un presupuesto por piezas y mano de obra, el cual deberá ser aprobado con anterioridad por el comprador.

Salvo lo escrito anteriormente, 3M NO OTORGA NINGUNA OTRA GARANTÍA NI CONDICIÓN EXPRESA O IMPLÍCITA, INCLUYENDO EN FORMA NO TAXATIVA, LA GARANTÍA O CONDICIÓN IMPLÍCITA DE COMERCIABILIDAD O ADECUACIÓN PARA UN PROPÓSITO ESPECÍFICO. El comprador es responsable de determinar si el equipo de espray de 3M se adapta para algún propósito particular específico. Esta garantía no aplica para México.

Limitación de Responsabilidades: Es responsabilidad del usuario decidir sobre su uso y/o aplicación, por lo que 3M no será responsable de los posibles daños y perjuicios derivados del uso del producto, independientemente que sean directos, indirectos, especiales, consecuenciales, contractuales, o de cualquier otra naturaleza.

Nota: La factura es requerida para el número de retorno de la autorización y determinar la elegibilidad de la garantía.

Información de contacto

PARA REALIZAR UN PEDIDO, contáctese con su Representante de Ventas o Distribuidor de 3M o llame a este número:
1-877-MMM-CARS
(1-877-666-2277)
www.3M.com

Todos los datos escritos y visuales contenidos en este documento reflejan la última información disponible sobre el producto en el momento de la publicación. 3M se reserva el derecho a realizar cambios en cualquier momento sin previo aviso.

IMPRESO EN E.U.A. ©3M 2009. Todos los derechos reservados.

3M, Accuspray y PPS son marcas comerciales de 3M Company.
© 3M, Accuspray y PPS son Marcas Registradas en México. 34-8703-6855-1



DO NOT PRINT THIS PAGE



Requester: Correen Rosenberger
Creator: deZinnia
File Name: 34870368551.indd
Structure #: SS-18217
Date: 08/13/09

Printed Colors – Front:



Printed Colors – Back:

Match Colors:

Scale: 1 Inch

This artwork has been created as requested by 3M. 3M is responsible for the artwork AS APPROVED and assumes full responsibility for its correctness.

Free Manuals Download Website

<http://myh66.com>

<http://usermanuals.us>

<http://www.somanuals.com>

<http://www.4manuals.cc>

<http://www.manual-lib.com>

<http://www.404manual.com>

<http://www.luxmanual.com>

<http://aubethermostatmanual.com>

Golf course search by state

<http://golfingnear.com>

Email search by domain

<http://emailbydomain.com>

Auto manuals search

<http://auto.somanuals.com>

TV manuals search

<http://tv.somanuals.com>