



Recreational Vehicle and Marine Whole Vehicle Water Filtration

Models WV-B2, WV-A3, and WV-B3

Like most people, your concerns about water quality have probably increased over the past few years. Daily, there are news reports on water contaminations. In addition, you face special challenges: every time you reach a new location and hook-up to the water supply, you meet a new set of water quality conditions. Therefore, you need a solution that addresses your concerns:

- no matter the water source*
- no matter which outlet you draw water from
- no matter what the use.

WV Series Systems filter all the water in your vehicle ... to be sure!

Having cleaner, good tasting water on the road was never this easy.



All Systems:

- Install on the main line for all the water in your vehicle
- Feature our exclusive Sanitary Quick Change Design
- Easy Cartridge Change
- Patented Carbon Block for improved absorption
- Patented Interconnect for ease-of-use and positive sealing
- 6 Month Cartridge Life
- For added protection, bacteria inhibition media is built into every carbon block
- Saves on the cost and storage of bottled water
- Reduces total vehicle weight, improving gas mileage, by eliminating stored water
- Locking tab securely fastens cartridge in place
- 1/2" NPT Connections

3M Taste and Odor Systems (WV-A3):

- Provides cleaner, better tasting and smelling water throughout your vehicle
- WV-A3 (at 3.5+ gpm) connects to main line for drinking, cooking and bath water
- Reduces greater than 95% of Chlorine
- Reduces sediment, dirt, rust, sand and silt to 1 micron

3M Biological Reduction Systems (WV-B2 and WV-B3):

- Minimize Concerns Of Biological Contamination, while improving the taste, smell and clarity of your water supply.
- Patented Dual-Zone Nylon Membrane Bacteria Barrier
- WV-B3 (at 3.5+ gpm) and WV-B2 (at 2.5+ gpm) connect to main line for drinking, cooking and bath water
- WV-B2 may also be installed as an undersink filter for all the water at your kitchen sink
- Reduces up to:
 - 99.99% of Bacteria¹ - 99.99% of Algae³ - 99.99% of Cysts² - 99.99% of Mold Spores³
- Reduces greater than 95% of Chlorine
- Reduces sediment, dirt, rust, sand and silt to 0.2 micron

¹ As tested with either E.Coli ATCC (11229) or Pseudomonas (B) diminuta ATCC (19146)

² As tested in accordance with NSF/ANSI Standard 53

³ As tested with Dekkera bruxellensis ATCC (64276)

The Solution for ever-changing water supplies.



Whole Vehicle Filter Systems

Physical Specifications:

- Includes a head assembly with integral mounting bracket with locking tab, and a single cartridge filter.
- Inlet and outlet plumbing connections are 1/2" NPT.
- System maximum operating pressure of 100 psi (689 kPa) and operating temperature of 100°F (38°C).
- Filter cartridges incorporate carbon block media protected by a pleated pre-filter membrane.
- System is NSF Standard 42 and 53 and/or FDA CFR-21 compliant.
- Cartridge body is constructed from high-impact glass-filled polypropylene.
- Cartridges are sanitary in design, requiring no contact with the filter media during cartridge change-out.
- Filter cartridges are ready to use.

***IMPORTANT:** Do not use with water that is microbiologically unsafe or of unknown quality without adequate disinfection before or after the system. Systems certified for cyst reduction may be used on disinfected water that may contain filterable cysts.

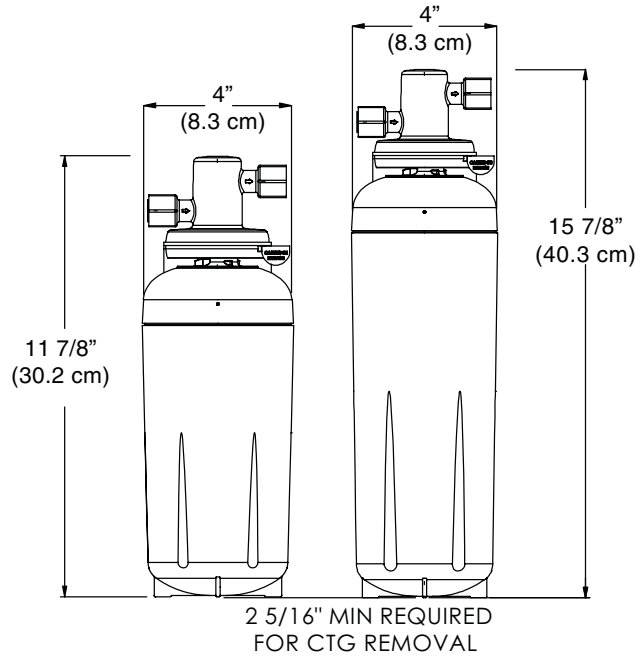
EPA Establishment Number 070595-CT-001.

CAUTION: This product is not a water purifier.

CAUTION: To reduce the risks associated with water leakage, which if not avoided, may result in property damage — check with your local water provider to verify that water pressure is less than 100 psi.

IMPORTANT: Replace every six months.

CAUTION: Remove cartridge and replace with bypass plug when winterizing or sanitizing.



Model Number	Cartridge Included	Capacity	Flow Rate	Sediment	Chlorine	Bacteria ¹	Parasitic Cysts ²	Algae ³	Mold Spores ³
WV-B2	B2	7,500 gal (28,390 lit)	2.5 gpm (9.4 lpm)	0.2 micron	> 95%	99.99%	99.99%	99.99%	99.99%
WV-B3	B3	15,000 gal (56,781 lit)	3.5 gpm (13.25 lpm)	0.2 micron	> 95%	99.99%	99.99%	99.99%	99.99%
WV-A3	A3	15,000 gal (56,781 lit)	3.5 gpm (13.25 lpm)	1 micron	> 95%	No	No	No	No

Replacement cartridges listed below can be used in any system listed above.

Cartridge Included	Capacity	Flow Rate	Sediment	Chlorine	Bacteria ¹	Parasitic Cysts ²	Algae ³	Mold Spores ³
B3	15,000 gal (56,781 lit)	3.5 gpm (13.25 lpm)	0.2 micron	> 95%	99.99%	99.99%	99.99%	99.99%
A3	15,000 gal (56,781 lit)	3.5 gpm (13.25 lpm)	1 micron	> 95%	No	No	No	No
B2	7,500 gal (28,390 lit)	2.5 gpm (9.4 lpm)	0.2 micron	> 95%	99.99%	99.99%	99.99%	99.99%
A2	7,500 gal (28,390 lit)	2.5 gpm (9.4 lpm)	1 micron	> 95%	No	No	No	No

1 As tested with either E.Coli ATCC (11229) or Pseudomonas (B) diminuta ATCC (19146)

2 As tested in accordance with NSF/ANSI Standard 53

3 As tested with Dekkera bruxellensis ATCC (64276)

Limited Warranty Disclosure

CUNO Incorporated warrants to the original purchaser-consumer of its Product that it is free of defects in materials and workmanship. Any defect, malfunction, or other failure of this product to conform to this Warranty will be remedied by CUNO in the manner provided below.

This Warranty, together with any and all warranties implied by law, shall be limited to a duration of five (5) years from: 1) the date of purchase and/or installation 2) the date of purchase of NEW vehicle from dealer.

This Warranty does not apply to: (i) defects that result from abuse, misuse, alterations or damage not caused by CUNO, and (ii) damages that result from the failure to properly comply with the installation, maintenance, or cartridge change-out instructions.

IMPORTANT: To file a claim under this Warranty you must complete and mail the Warranty registration card supplied with this Product to CUNO at the address below within ten (10) days of original retail purchase.

THIS WARRANTY DOES NOT COVER, AND IS INTENDED TO EXCLUDE, ANY LIABILITY ON THE PART OF CUNO, WHETHER UNDER THIS WARRANTY OR UNDER ANY WARRANTY IMPLIED BY LAW, FOR ANY INDIRECT OR CONSEQUENTIAL DAMAGES FOR BREACH HEREOF OR THEREOF.

Note: Some states prohibit limitations on the duration of implied warranties and on the exclusion of indirect or consequential damages, and so the above limitation on implied warranties and on incidental and consequential damages may not be applicable to you.

RESPONSIBILITY OF CUNO

CUNO's responsibility under this warranty shall be to repair at its expense, and at no charge to the original purchaser-consumer, any Product that is actually defective, malfunctioning, or otherwise in violation of this Warranty.

If CUNO, for any reason, cannot repair a Product covered hereby within two (2) weeks after receipt of the original purchaser-consumer's notification of a Warranty claim, then CUNO's responsibility shall be, at its option, either to replace the defective Product with a comparable new unit at no charge to the consumer or to refund the full purchase price. CUNO's obligations of repair, replacement, or refund are conditioned upon the consumer's return of the defective Product to CUNO.

If any Product covered hereby is actually defective within the terms of this Warranty, then CUNO will bear all the reasonable and proper shipping or mailing charges actually incurred in the consumer's return of the Product set forth herein. If the Product proves not to be defective within the terms of this Warranty, then all costs and expenses in connection with the processing of the consumer's claim hereunder shall be borne by the consumer.

RESPONSIBILITY OF THE CONSUMER

The original purchaser-consumer's sole responsibility in the instance of a Warranty claim shall be to notify CUNO of the defect, malfunction, or other manner in which the terms of this Warranty are violated. You may secure performance or obligations hereunder by (in writing):

1. Identifying the Product involved (by model or serial number or other sufficient description that will allow CUNO to determine which Product is defective).
2. Specifying where, when and from whom the Product was purchased.
3. Describing the nature of the defect, malfunction or other violation of this Warranty.
4. Sending such notification together with the defective Product and a \$5.00 check or money order to cover postage and handling to:

CUNO Incorporated, 400 Research Parkway, Meriden CT 06450 U.S.A.

THIS WARRANTY GIVES YOU SPECIFIC LEGAL RIGHTS, AND YOU MAY ALSO HAVE OTHER RIGHTS WHICH MAY VARY FROM STATE TO STATE.

Free Manuals Download Website

<http://myh66.com>

<http://usermanuals.us>

<http://www.somanuals.com>

<http://www.4manuals.cc>

<http://www.manual-lib.com>

<http://www.404manual.com>

<http://www.luxmanual.com>

<http://aubethermostatmanual.com>

Golf course search by state

<http://golfingnear.com>

Email search by domain

<http://emailbydomain.com>

Auto manuals search

<http://auto.somanuals.com>

TV manuals search

<http://tv.somanuals.com>